

# BORMANN®



## BCS2030

054061

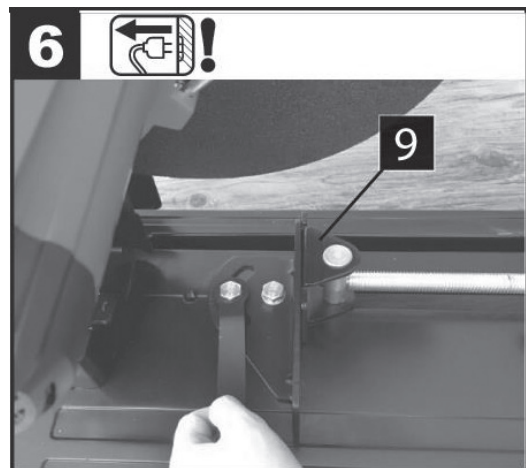
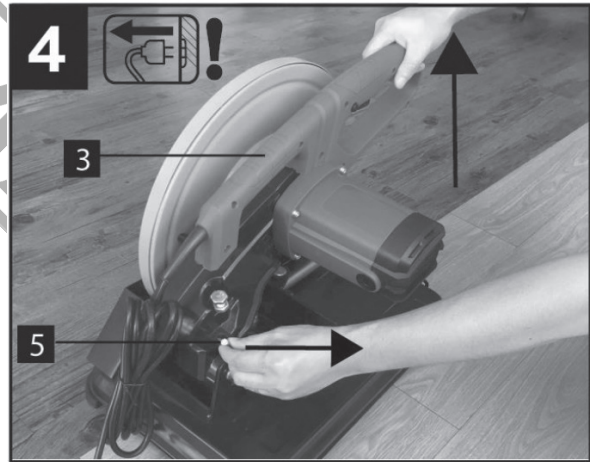
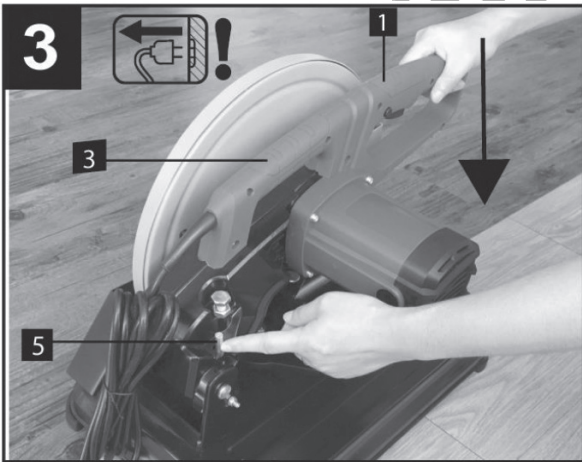
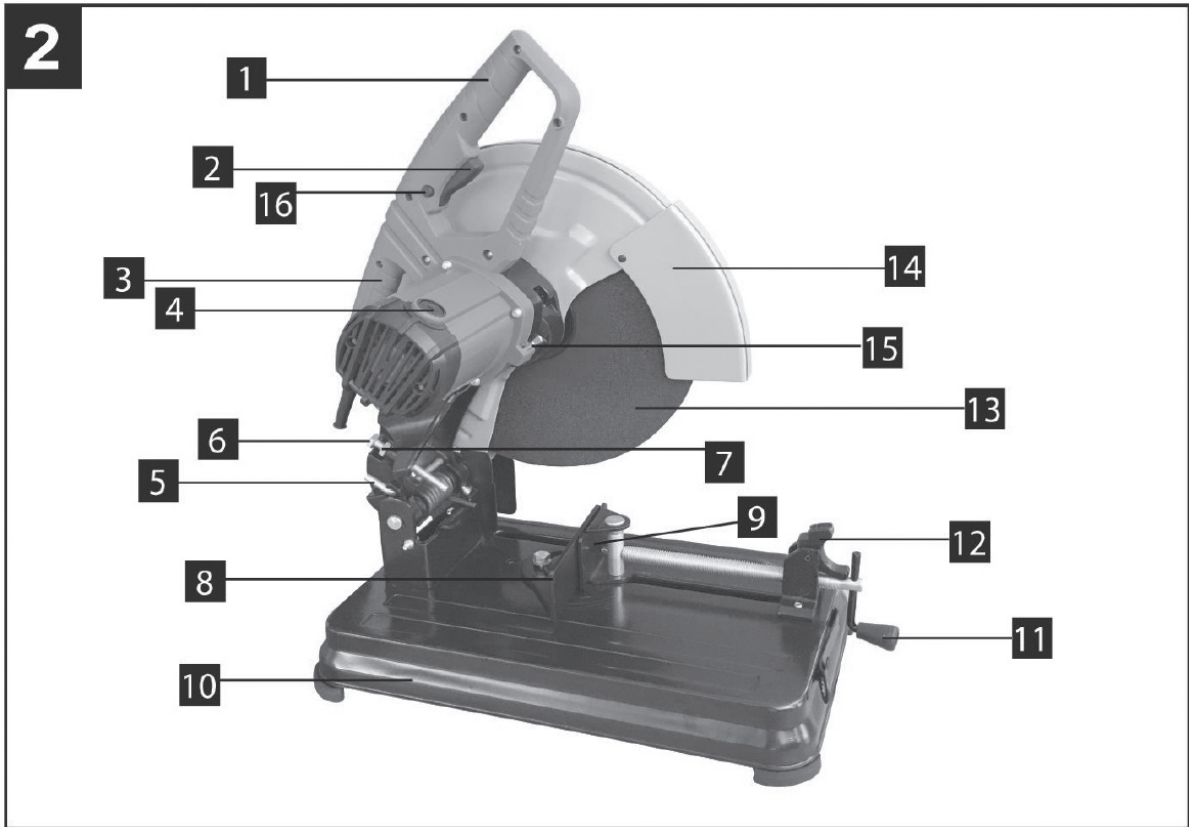


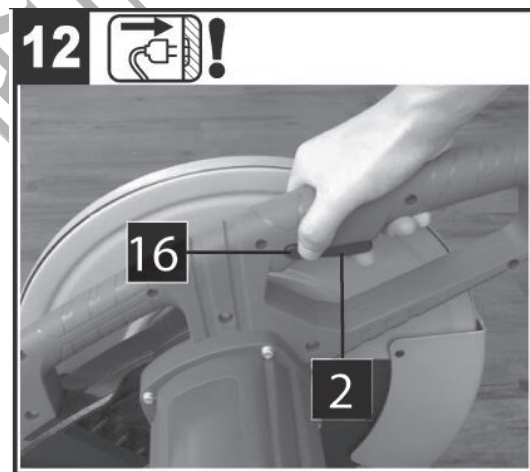
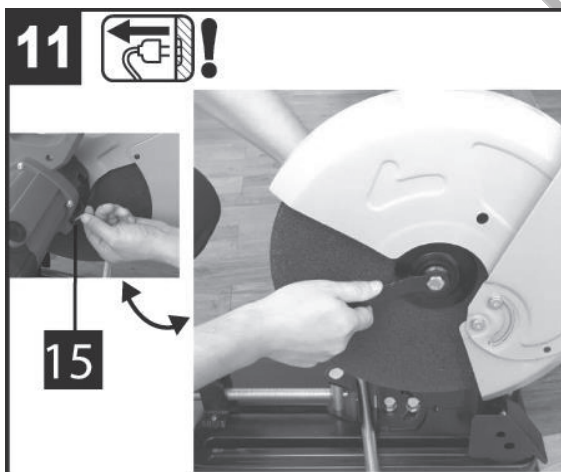
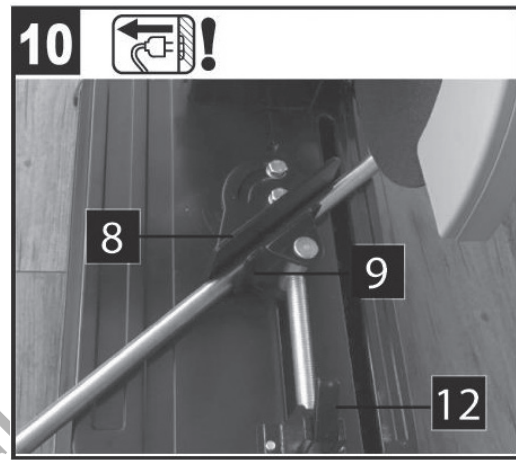
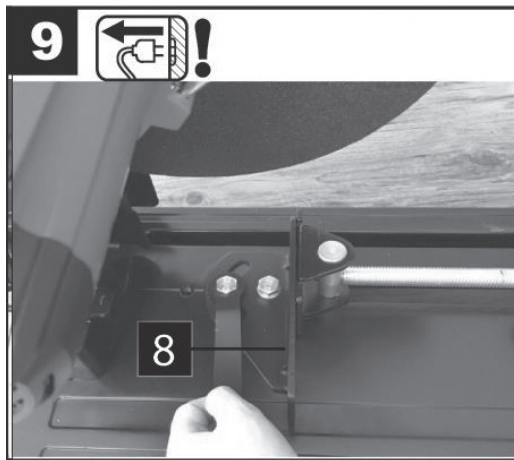
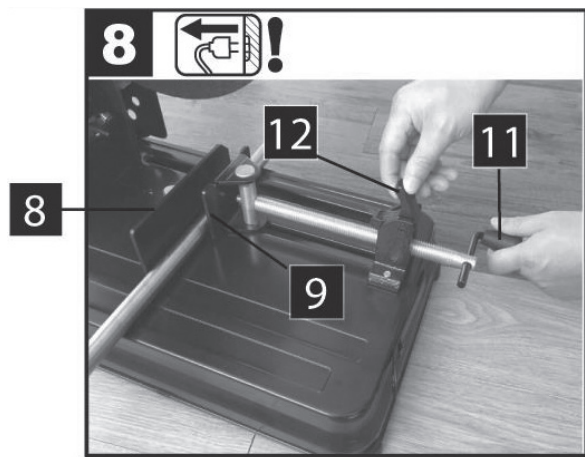
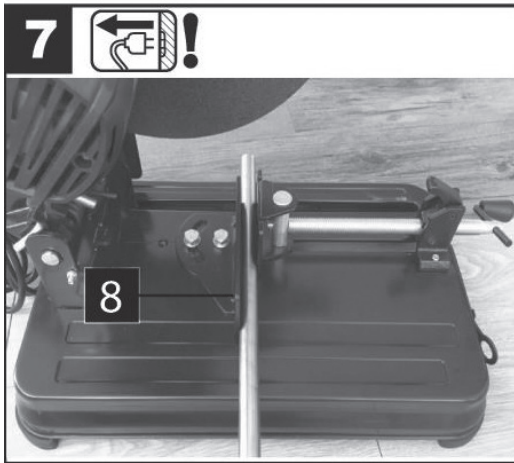
v2.2



[WWW.NIKOLAOUTOOLS.GR](http://WWW.NIKOLAOUTOOLS.GR)

**2 YEARS**  
WARRANTY





## SYMBOLS



Carefully read the operator's manual.



WARNING! Instructions or symbols which, if not observed, could result in damage and/or injury.



Pull out mains plug immediately, if the mains cable is damaged, entangled or severed. Always remove the mains plug before working on the device.



Suitable for metal.



Do not use for side grinding.



Do not use for wet grinding.



Do not use defective discs.



Wear hearing protection!



Wear a dust mask!



Wear protective gloves!



Wear safety glasses!



Wear safety shoes!



This power tool corresponds to protection class II, it is equipped with reinforced or double insulation.



This power tool must not be disposed of with household waste. Follow the disposal instructions in this manual.

## SAFETY PRECAUTIONS



When using any equipment, certain safety precautions must be taken to avoid injury and/or damage. Please read this manual carefully before using the tool. Keep this operator's manual for future reference. In case this tool is borrowed, transferred or moved, make sure that the instruction manual remains with it. The manufacturer accepts no liability for damage or accidents caused by failure to comply with these safety instructions.

**CAUTION:** Read all safety regulations and instructions. Not following all safety precautions may result in electric shock, fire and/or serious injury.

The term "power tool" used in this manual refers to power tools powered by electricity (with a power cord) and battery-powered power tools (without a power cord).

**Workplace safety**

- Keep your workplace clean and well lit. Untidy or poorly lit workplaces can result in accidents.
- Do not use the power tool in an environment where there is a risk of explosion and where there are flammable liquids, gases or dust. Power tools produce sparks that could ignite dust or vapours.
- Do not allow bystanders, children or animals into your work area. If there is a distraction, you may lose control of the appliance.

**Electrical safety**

- The plug from the power tool must be plugged into a properly grounded installed outlet. Never modify the plug in any way. Never use adaptor plugs with grounded power tools. Unaltered plugs and correct sockets reduce the risk of electric shock.
- Avoid body contact with grounded surfaces like refrigerators, pipes and radiators when using electric powered tools. This will reduce the likelihood of shock.
- Do not expose electric power tools to rain or wet conditions. Wet tools increase the likelihood of electric shock.
- Do not abuse the cord. Never use the cord for carrying, pulling or unplugging the power tool. Damaged or entangled cables increase the risk of an electric shock.
- Keep power cords away from heat, water, oil, sharp edges and moving parts. They can damage the insulation and cause a shock.
- If you are working outdoors with an electric tool, only use extension cables which are designed and marked specifically for this purpose.
- If operation of the electric tool in a damp environment can not be avoided, use an earth-leakage circuit breaker (ELCB) to reduce the risk of an electric shock.

**Personal safety**

- Be alert, watch your movements and use a power tool with care. Do not use the tool if you are tired or under the influence of medication, alcohol or other substances. A moment of negligence when using the power tool can result in serious injury.
- The use of personal protective equipment (such as dust masks, non-slip safety shoes, safety helmet or earplugs depending on the type and use of the power tool) reduces the risk of injury. Always wear safety goggles.
- Make sure the tool cannot start accidentally. Make sure that the electric tool is switched off before you connect it to the power supply and/or insert the battery, or when picking it up or carrying it. Plugging the appliance in when it is switched on, or moving the power tool with your finger on the power switch, may accidentally start the tool and lead to accidents.
- Remove keys and wrenches before switching on the electric tool. A tool or key coming into contact with rotating parts of the tool can result in damage or injury.
- Do not overreach. Keep proper footing and balance at all times. This enables better control of the power tool in unexpected situations.
- Wear suitable work clothes. Keep hair, clothes and gloves away from moving parts. Do not wear loose clothing or jewellery. Loose clothing, jewellery or long hair can get caught in moving parts.
- If vacuum and drainage devices can be fitted on the tool, make sure that they are correctly connected and used. The use of a dust extraction system can reduce dust-related hazards.



### Power tool safety

- a) Do not overstrain the tool. Use the right tool for each task. You will be able to work better and more safely within the specified performance parameters.
- b) Do not use a power tool with a defective power switch. A power tool that cannot be switched on or off is dangerous and must be repaired.
- c) Unplug the tool and/or remove the battery before making any adjustments to the tool, switching attachments or putting the tool down or in storage. This safety measure prevents the power tool from starting up unintentionally.
- d) Keep the electric tool out of the reach of children and untrained users. Only people who have read and understand completely all safety instructions can use the power tool. Power tools can be dangerous if used by inexperienced users.
- e) Clean your power tool carefully. Check that the moving parts work properly and do not jam and that there are no parts broken or damaged to such an extent that the operation of the power tool is affected. Contact an authorised service centre for any repairs needed before using the tool. Poorly maintained power tools can cause serious damage or harm.
- f) Keep any cutting tools sharp and clean. Carefully maintained cutting tools with sharp cutting edges are less likely to jam and are easier to control.
- g) Use the power tools, accessories, attachments, etc. in accordance with these instructions. Take into account the conditions of your workplace and the task at hand. Using power tools for any purpose other than that for which they are intended can lead to dangerous situations.

### Service

Have your power tool repaired only by trained personnel using only authentic spare parts. This will ensure that your power tool is always safe to use.

### Additional safety instructions for cut-off metal saw

- a) The guard provided with the tool must be securely attached to the power tool and positioned for maximum safety, so the least amount of wheel is exposed towards the operator. Position yourself and bystanders away from the plane of the rotating wheel. The guard helps to protect operator from broken wheel fragments and accidental contact with wheel.
- b) Use only reinforced cut-off wheels for your power tool. Just because an accessory can be attached to your power tool, it does not assure safe operation.
- c) The rated speed of the accessory must be at least equal to the maximum speed marked on the power tool. Accessories running faster than their rated speed can break and fly apart.
- d) Wheels must be used only for recommended applications. For example: do not grind with the side of cut-off wheel. Abrasive cut-off wheels are intended for peripheral grinding, side forces applied to these wheels may cause them to shatter.
- e) Always use undamaged wheel flanges that are of correct diameter for your selected wheel. Proper wheel flanges support the wheel thus reducing the possibility of wheel breakage.
- f) Do not use worn down reinforced wheels from larger power tools. Wheels intended for a larger power tool are not suitable for the higher speed of a smaller tool and may break.
- g) The outside diameter and the thickness of your accessory must be within the capacity rating of your power tool. Incorrectly sized accessories cannot be adequately guarded or controlled.
- h) The arbor size of wheels and flanges must properly fit the spindle of the power tool. Wheels and flanges with arbour holes that do not match the mounting hardware of the power tool will run out of balance, vibrate excessively and may cause loss of control.
- i) Do not use damaged wheels. Before each use, inspect the wheels for chips and cracks. If power tool or wheel is dropped, inspect for damage or install an undamaged wheel. After inspecting and installing the wheel, position yourself and bystanders away from the plane of the rotating wheel and run the power tool at maximum no load speed for one minute. Damaged wheels will normally break apart during this test time.
- j) Wear personal protective equipment. Depending on application, use a face shield, safety goggles or safety glasses. As appropriate, wear a dust mask, hearing protectors, gloves and shop apron capable of stopping small abrasive or workpiece fragments. The eye protection must be capable of stopping flying debris generated by various operations. The dust mask or respirator must be capable of filtering particles generated by your operation. Prolonged exposure to high intensity noise may cause hearing loss.
- k) Keep bystanders a safe distance away from work area. Anyone entering the work area must wear personal protective equipment. Fragments of workpiece or of a broken wheel may fly away and cause injury beyond immediate area of operation.
- l) Hold the power tool by insulated gripping surfaces only, when performing an operation where the cutting accessory may contact hidden wiring or its own cord. Cutting accessory contacting a "live" wire may make exposed metal parts of the power tool "live" and could give the operator an electric shock.
- m) Position the cord clear of the spinning accessory. If you lose control, the cord may be cut or snagged and your hand or arm may be pulled into the spinning wheel.
- n) Never lay the power tool down until the accessory has come to a complete stop. The spinning wheel may grab the surface and pull the power tool out of your control.
- o) Do not run the power tool while carrying it at your side. Accidental contact with the spinning accessory could snag your clothing, pulling the accessory into your body.
- p) Regularly clean the power tool's air vents. The motor's fan will draw the dust inside the housing and excessive accumulation of powdered metal may cause electrical hazards.
- q) Do not operate the power tool near flammable materials. Sparks could ignite these materials.
- r) Do not use accessories that require liquid coolants. Using water or other liquid coolants may result in electrocution or shock.

### Kickback

Kickback is a sudden reaction to a pinched or snagged rotating wheel. Pinching or snagging causes rapid stalling of the rotating wheel which in turn causes the uncontrolled power tool to be forced in the direction opposite of the wheel's rotation at the point of the binding. For example, if an abrasive wheel is snagged or pinched by the workpiece, the edge of the wheel that is entering into the pinch point can dig into the surface of the material causing the wheel to climb out or kick out. The wheel may either jump toward or away from the operator, depending on direction of the wheel's movement at the point of pinching. Abrasive wheels may also break under these conditions.

Kickback is the result of power tool misuse and/or incorrect operating procedures or conditions and can be avoided by taking proper precautions as given below.

- a) Maintain a firm grip on the power tool and position your body and arm to allow you to resist kickback forces. Always use auxiliary handle, if provided, for maximum control over kickback or torque reaction during start-up. The operator can control torque reactions or kickback forces, if proper precautions are taken.
- b) Never place your hand near the rotating accessory. Kickback will propel the accessory towards your hand.
- c) Do not position your body in line with the rotating wheel. Kickback will propel the tool in direction opposite to the wheel's movement at the point of snagging.
- d) Use special care when working corners, sharp edges etc. Avoid bouncing and snagging the accessory. Corners, sharp edges or bouncing have a tendency to snag the rotating accessory and cause loss of control or kickback.
- e) Do not attach a saw chain, woodcarving blade, segmented diamond wheel with a peripheral gap greater than 10 mm or toothed saw blade. Such blades create frequent kickback and loss of control.
- f) Do not "jam" the wheel or apply excessive pressure. Do not attempt to make an excessive depth of cut. Overstressing the wheel increases the loading and susceptibility to twisting or binding of the wheel in the cut and the possibility of kickback or wheel breakage.
- g) When wheel is binding or when interrupting a cut for any reason, switch off the power tool and hold the power tool motionless until the wheel comes to a complete stop. Never attempt to remove the wheel from the cut while the wheel is in motion otherwise kickback may occur. Investigate and take corrective action to eliminate the cause of wheel binding.
- h) Do not restart the cutting operation in the workpiece. Let the wheel reach full speed and carefully re-enter the cut. The wheel may bind, walk up or kickback if the power tool is restarted in the workpiece.
- i) Support panels or any oversized workpiece to minimize the risk of wheel pinching and kickback. Large workpieces tend to sag under their own weight. Supports must be placed under the workpiece near the line of cut and near the edge of the workpiece on both sides of the wheel.
- j) Use extra caution when making a cut into existing walls or other blind areas. The protruding wheel may cut gas or water pipes, electrical wiring or objects that can cause kickback.

## INTENDED USE

The cut-off metal saw is intended as a floor-mounted appliance for making straight longitudinal cuts at up to 45° using cutting discs in steel, nonferrous metals, cast iron and iron profiles without the use of water. Any other uses of or modifications to the machine are deemed to be improper usage and may result in serious physical injury.

## SPECIFICATIONS

Technical Data	
Model	BCS2030
Power	2300 W
Voltage / Frequency	230 V / 50 Hz
No load speed	3800 rpm
Disk diameter	355 mm
Cutting Performance	Solid : 50mm Hollow : 110mm Square Aluminum: 110*130 mm
Features	Soft start system

## Main Parts (Image 2)

1. Handle
2. Switch trigger
3. Carry handle
4. Carbon brush cover
5. Interlock
6. Cutting depth screw
7. Cutting depth nut
8. Fence
9. Vice
10. Base plate
11. Vice crank handle
12. Quick clamping lever
13. Cutting disc
14. Movable guard
15. Spindle lock
16. Switch safety knob

\* The manufacturer reserves the right to make minor changes to product design and technical specifications without prior notice unless these changes significantly affect the performance and safety of the products. The parts described / illustrated in the pages of the manual that you hold in your hands may also concern other models of the manufacturer's product line with similar features and may not be included in the product you just acquired.

\* To ensure the safety and reliability of the product and the warranty validity, all repair, inspection, repair or replacement work, including maintenance and special adjustments, must only be carried out by technicians of the authorized service department of the manufacturer.

\* Always use the product with the supplied equipment. Operation of the product with non-provided equipment may cause malfunctions or even serious injury or death. The manufacturer and the importer shall not be liable for injuries and damages resulting from the use of non-conforming equipment.

## ASSEMBLY



**CAUTION!** Disconnect the plug from the mains supply before any setting, assembly or maintenance task.

### Interlock/ Carry handle (Images 3 & 4)

Push down gently on the handle (1) and carefully pull out the Interlock (5). (Image 3)

Slowly raise the saw head.

**Important!** The resetting spring lifts the saw head automatically. Therefore, do not let go of the handle after cutting, but allow the saw head to rise slowly by applying slight counter pressure on the handle.

Whenever you want to transport the machine you should use the interlock (5) to anchor the saw head in its lowered position. (Image 4)

The saw is equipped with a carry-handle (3) to make it easier to transport.

### Adjusting the cutting depth screw (Image 5)

The downward movement of the cutting disc can be adjusted with the cutting depth screw (6). This is necessary to compensate wheel wear – as the cutting disc becomes smaller in diameter it would not be able to cut right through the workpiece.

Release the cutting depth nut (7) Turn the cutting depth screw (6) in or out as required.

Lower the saw head to check whether the cutting disc reaches the clamping face of the vice.

Retighten the cutting depth nut (7).

### Setting the vice (Images 6 & 7)

The mounting for the vice (9) can be enlarged by adjusting the angle guide (8). Unscrew the two screws on the angle guide (8).

Adjust the angle guide (8) to the rear and secure it using the holes provided for it. Ensure that the screw connections are tight again.

### Clamp the workpiece in the vice. (Image 8)

Your workpiece must be secured in the vice (9) before you start the cutting process.

Lift the quick clamping lever (12) off the threaded bar. This lever enables you to quickly adjust the threaded bar, to turn it, pull it out or push it in.

Place your workpiece between the two clamping areas (9 front clamp & 8 angle guide).

Move the front clamp (9) right up against the workpiece.

Drop the quick clamping lever (12) onto the threaded bar.

Turn the vice crank (11) (Image 8) clockwise until the workpiece is securely fixed in the vice.

### Completing mitre cuts (Images 9 & 10)

The vice (9) can be adjusted so that you can complete mitre cuts at angles of 45° - 0° - 45°.

Undo the two screws on the angle guide (8).

Adjust the clamping area to the angle you require.

Tighten the two screws again.

The front clamp (11) will automatically adjust to the angle you have set.

### Changing the cutting disc (Image 11)

Move the saw head to its highest position.

Move the front saw guard upwards. The entire cutting disc cover will open.

Move the flange cover down.

Push the spindle lock (15) to the right.

Turn the cutting disc (13) until the spindle lock engages.

Unscrew the shaft screw by turning it anti-clock wise with a suitable socket wrench.

Remove the shaft screw, external flange and the washer.

Pull the worn cutting disc out forwards.

Fit the new cutting disc. Note the direction of rotation on the disc as you do so.

Refit the washer and then the external flange.

Screw in the shaft screw again. (Image 11)

**Important!** When fitting a cutting disc, the shaft screw must only be tightened so far that the disc is secure and cannot turn by itself. If you tighten the shaft screw too much, the cutting disc may jump off the disc flange or the disc may fracture.

Push the flange cover back again.

Push the front cutting disc cover downwards again. The entire cutting disc cover will close.

**Important!** After fitting a new cutting disc, allow the machine to run for approximately one minute before starting any cutting work. Do not stand in the cutting direction of the machine during this process!

If the disc has an invisible fracture or some other type of damage that it not obvious, it will rupture in less than one minute.

### Dust extraction

**Important!** Not all dust extractors are suitable for metal chips since they may be very hot and in certain circumstances can cause a fire.

## OPERATION

**NOTE:** Before using the tool, read the instructions manual carefully.

### Switch on/off (Image 12)

The cut off saw equipped with a two-action safety switch, which can be started by pressing side knob and the ON/OFF switch. (2)  
The cut off saw will be switched off again when ON/OFF switch is released.

### Working with the cut off saw

First secure your workpiece in the vice (9).

Switch on the machine and wait until the motor has reached its maximum speed.

Slowly press down the saw head on the handle (1).

Guide the cutting disc through the workpiece with even, firm pressure for a fast cut.

Prevent the cutting disc from wavering or jumping. This will result in poor cutting results, premature wear or even fracturing of the cutting disc.

Do not reduce the cutting speed even at the end of the cutting process since the workpiece may become overheated and may result in unnecessary burr formation.

### Cutting speed

Slow cuts: Less wear on the cutting disc (depending on the quality of the cutting disc); the workpiece may tend to form burrs and become discoloured due to overheating.

Fast cuts: High wear on the cutting disc (depending on the quality of the cutting disc); less burr formation and less discolouration on the workpiece since it does not become so hot.

## MAINTENANCE



**CAUTION!** Disconnect the plug from the mains supply before performing any cleaning or maintenance task.

Regularly clean the machine housing with a soft cloth, preferably after each use.

Keep the ventilation slots free from dust and dirt. If the dirt does not come off, use a soft cloth moistened with soapy water.

Never use solvents such as petrol, alcohol, ammonia water, etc. These solvents may damage the plastic parts of the tool.

The machine requires no additional lubrication.

In case of any other damages to the tool, contact an authorised service center.

## ENVIRONMENTAL DISPOSAL

In order to avoid damages on transportation, the tool has to be delivered in solid packaging. Packaging as well as the unit and accessories are made of recyclable materials and can be disposed accordingly. The tool's plastics components are marked according to their material, which makes it possible to remove environmental friendly and differentiated because of available collection facilities.



### Only for EU countries

Do not dispose of electric tools together with household waste material!

In observance of European Directive 2002/96/EC on waste electrical and electronic equipment and its implementation in accordance with national law, electric tools that have reached the end of their life must be collected separately and returned to an environmentally compatible recycling facility.



## SYMBOLES



Lisez attentivement le manuel de l'opérateur.



AVERTISSEMENT ! Instructions ou symboles qui, s'ils ne sont pas respectés, peuvent entraîner des dommages et/ou des blessures.



Retirez immédiatement la fiche secteur si le câble secteur est endommagé, emmêlé ou sectionné. Débranchez toujours la fiche secteur avant de travailler sur l'appareil.



Convient pour le métal.



Ne pas utiliser pour le meulage latéral.



Ne pas utiliser pour le broyage humide.



Ne pas utiliser de produits défectueux disques.



Portez des protections auditives !



Portez un masque anti-poussière !



Portez des gants de protection !



Portez des lunettes de sécurité !



Portez des chaussures de sécurité !



Cet outil électrique correspond à la classe de protection II, il est équipé d'une isolation renforcée ou double.



Cet outil électrique ne doit pas être jeté avec les déchets ménagers. Suivez les instructions de mise au rebut figurant dans ce manuel.

## MESURES DE SÉCURITÉ



Lors de l'utilisation de tout équipement, certaines précautions de sécurité doivent être prises pour éviter les blessures et/ou les dommages. Veuillez lire attentivement ce manuel avant d'utiliser l'outil. Conservez ce manuel d'utilisation pour toute référence ultérieure. Au cas où cet outil serait emprunté, transféré ou déplacé, assurez-vous que le manuel d'utilisation reste avec lui. Le fabricant n'accepte aucune responsabilité pour les dommages ou les accidents causés par le non-respect de ces consignes de sécurité.

**ATTENTION : Lisez tous les règlements et instructions de sécurité. Le non-respect de toutes les consignes de sécurité peut entraîner un choc électrique, un incendie et/ou des blessures graves.**

Le terme " outil électrique " utilisé dans ce manuel fait référence aux outils électriques alimentés par l'électricité (avec un cordon d'alimentation) et aux outils électriques alimentés par batterie (sans cordon d'alimentation).

**Sécurité sur le lieu de travail**

- Maintenez votre lieu de travail propre et bien éclairé. Les lieux de travail désordonnés ou mal éclairés peuvent entraîner des accidents.
- N'utilisez pas l'outil électrique dans un environnement où il y a un risque d'explosion et où il y a des liquides, des gaz ou des poussières inflammables. Les outils électriques produisent des étincelles qui pourraient enflammer la poussière ou les vapeurs.
- Ne laissez pas les passants, les enfants ou les animaux pénétrer dans votre zone de travail. S'il y a une distraction, vous pouvez perdre le contrôle de l'appareil.

**Sécurité électrique**

- La fiche de l'outil électrique doit être branchée sur une prise de courant installée et correctement mise à la terre. Ne modifiez jamais la fiche de quelque façon que ce soit. N'utilisez jamais de fiches adaptatrices avec des outils électriques mis à la terre. Des fiches non modifiées et des prises correctes réduisent le risque de choc électrique.
- Évitez le contact du corps avec les surfaces mises à la terre comme les réfrigérateurs, les tuyaux et les radiateurs lorsque vous utilisez des outils électriques. Cela réduira le risque de choc.
- N'exposez pas les outils électriques à la pluie ou à l'humidité. Les outils humides augmentent le risque de choc électrique.
- Ne maltraitez pas le cordon. N'utilisez jamais le cordon pour porter, tirer ou débrancher l'outil électrique. Des câbles endommagés ou emmêlés augmentent le risque de choc électrique.
- Maintenez les cordons d'alimentation à l'écart de la chaleur, de l'eau, de l'huile, des bords tranchants et des pièces mobiles. Ils peuvent endommager l'isolation et provoquer un choc.
- Si vous travaillez à l'extérieur avec un outil électrique, n'utilisez que des câbles de rallonge conçus et marqués spécifiquement pour cet usage.
- Si l'utilisation de l'outil électrique dans un environnement humide ne peut être évitée, utilisez un disjoncteur différentiel pour réduire le risque de choc électrique.

**Sécurité personnelle**

- Soyez vigilant, surveillez vos mouvements et utilisez un outil électrique avec précaution. N'utilisez pas l'outil si vous êtes fatigué ou sous l'influence de médicaments, d'alcool ou d'autres substances. Un moment de négligence lors de l'utilisation de l'outil électrique peut entraîner des blessures graves.
- L'utilisation d'équipements de protection individuelle (tels que masques anti-poussière, chaussures de sécurité antidérapantes, casque de sécurité ou bouchons d'oreille selon le type et l'utilisation de l'outil électrique) réduit le risque de blessure. Portez toujours des lunettes de sécurité.
- Assurez-vous que l'outil ne peut pas démarrer accidentellement. Assurez-vous que l'outil électrique est éteint avant de le brancher à l'alimentation électrique et/ou d'insérer la batterie, ou lorsque vous le prenez ou le transportez. Le fait de brancher l'appareil alors qu'il est sous tension ou de déplacer l'outil électrique avec le doigt sur l'interrupteur peut entraîner un démarrage accidentel de l'outil et provoquer des accidents.
- Retirez les clés et les clavettes avant de mettre l'outil électrique en marche. Un outil ou une clé entrant en contact avec les parties rotatives de l'outil peut entraîner des dommages ou des blessures.
- Ne vous avancez pas trop. Gardez toujours un bon pied et un bon équilibre. Cela permet de mieux contrôler l'outil électrique dans des situations inattendues.
- Portez des vêtements de travail appropriés. Maintenez les cheveux, les vêtements et les gants à l'écart des pièces mobiles. Ne portez pas de vêtements amples ni de bijoux. Les vêtements amples, les bijoux ou les cheveux longs peuvent se prendre dans les pièces mobiles.
- Si des dispositifs d'aspiration et de drainage peuvent être installés sur l'outil, assurez-vous qu'ils sont correctement connectés et utilisés. L'utilisation d'un système d'aspiration des poussières peut réduire les risques liés à la poussière.

### Sécurité des outils électriques

- a) Ne sollicitez pas trop l'outil. Utilisez le bon outil pour chaque tâche. Vous serez en mesure de travailler mieux et de manière plus sûre dans le cadre des paramètres de performance spécifiés.
- b) N'utilisez pas un outil électrique dont l'interrupteur est défectueux. Un outil électrique qui ne peut pas être mis en marche ou arrêté est dangereux et doit être réparé.
- c) Débranchez l'outil et/ou retirez la batterie avant d'effectuer tout réglage sur l'outil, de changer d'accessoire ou de ranger l'outil. Cette mesure de sécurité évite que l'outil électrique ne se mette en marche involontairement.
- d) Gardez l'outil électrique hors de portée des enfants et des utilisateurs non formés. Seules les personnes qui ont lu et compris complètement toutes les instructions de sécurité peuvent utiliser l'outil électrique. Les outils électriques peuvent être dangereux s'ils sont utilisés par des utilisateurs inexpérimentés.
- e) Nettoyez soigneusement votre outil électrique. Vérifiez que les pièces mobiles fonctionnent correctement et ne se bloquent pas et qu'il n'y a pas de pièces cassées ou endommagées au point d'affecter le fonctionnement de l'outil électrique. Contactez un centre de service agréé pour toute réparation nécessaire avant d'utiliser l'outil. Les outils électriques mal entretenus peuvent causer des dommages graves ou des blessures.
- f) Maintenez tous les outils de coupe affûtés et propres. Les outils de coupe soigneusement entretenus et aux bords tranchants sont moins susceptibles de se bloquer et sont plus faciles à contrôler.
- g) Utilisez les outils électriques, les accessoires, les pièces jointes, etc. conformément à ces instructions. Tenez compte des conditions de votre lieu de travail et de la tâche à accomplir. L'utilisation d'outils électriques à d'autres fins que celles pour lesquelles ils sont prévus peut conduire à des situations dangereuses.

### Service après-vente

Ne faites réparer votre outil électrique que par un personnel qualifié utilisant uniquement des pièces de rechange authentiques. Vous serez ainsi assuré que votre outil électrique est toujours sûr à utiliser.

### Consignes de sécurité supplémentaires pour la scie à métaux à tronçonner

- a) La protection fournie avec l'outil doit être solidement fixée à l'outil électrique et positionnée pour une sécurité maximale, de manière à exposer le moins possible la roue vers l'opérateur. Placez-vous, ainsi que les personnes à proximité, loin du plan de la roue en rotation. La protection permet de protéger l'opérateur contre les fragments de roue brisés et les contacts accidentels avec la roue.
- b) N'utilisez que des disques à tronçonner renforcés pour votre outil électrique. Ce n'est pas parce qu'un accessoire peut être fixé à votre outil électrique qu'il garantit un fonctionnement sûr.
- c) La vitesse nominale de l'accessoire doit être au moins égale à la vitesse maximale indiquée sur l'outil électrique. Les accessoires fonctionnant à une vitesse supérieure à leur vitesse nominale peuvent se briser et voler en éclats.
- d) Les meules ne doivent être utilisées que pour les applications recommandées. Par exemple : ne pas meuler avec le côté du disque à tronçonner. Les disques à tronçonner abrasifs sont destinés au meulage périphérique, les forces latérales appliquées à ces disques peuvent les faire éclater.
- e) Utilisez toujours des flasques de meule non endommagés et de diamètre correct pour la meule choisie. Les flasques de meule appropriés soutiennent la meule, ce qui réduit le risque de rupture de la meule.
- f) N'utilisez pas de roues renforcées et usées provenant d'outils électriques plus grands. Les meules destinées à un outil électrique plus grand ne sont pas adaptées à la vitesse plus élevée d'un outil plus petit et peuvent se casser.
- g) Le diamètre extérieur et l'épaisseur de votre accessoire doivent correspondre à la capacité nominale de votre outil électrique. Les accessoires de taille incorrecte ne peuvent pas être protégés ou contrôlés de manière adéquate.
- h) La taille de l'arbre des roues et des brides doit être adaptée à la broche de l'outil électrique. Les roues et les brides dont les trous d'axe ne correspondent pas au matériel de montage de l'outil électrique seront déséquilibrées, vibreront excessivement et risquent de provoquer une perte de contrôle.
- i) N'utilisez pas de roues endommagées. Avant chaque utilisation, vérifiez que les roues ne sont pas ébréchées ou fissurées. En cas de chute de l'outil ou de la roue, vérifiez s'ils sont endommagés ou installez une roue intacte. Après avoir inspecté et installé la roue, placez-vous, ainsi que les personnes à proximité, à l'écart du plan de la roue en rotation et faites fonctionner l'outil électrique à la vitesse maximale sans charge pendant une minute. Les roues endommagées se briseront normalement pendant ce temps d'essai.
- j) Portez un équipement de protection individuelle. Selon l'application, utilisez un écran facial, des lunettes de sécurité ou des lunettes de protection. Le cas échéant, portez un masque anti-poussière, des protections auditives, des gants et un tablier d'atelier capables d'arrêter les petits fragments d'abrasif ou de pièce. La protection oculaire doit être capable d'arrêter les débris volants générés par les diverses opérations. Le masque anti-poussière ou le respirateur doit être capable de filtrer les particules générées par votre opération. Une exposition prolongée à un bruit de forte intensité peut entraîner une perte d'audition.
- k) Maintenez les personnes présentes à une distance sûre de la zone de travail. Toute personne entrant dans la zone de travail doit porter un équipement de protection individuelle. Des fragments de pièce ou de roue brisée peuvent s'envoler et causer des blessures au-delà de la zone de travail immédiate.
- l) Ne tenez l'outil électrique que par des surfaces de préhension isolées, lorsque vous effectuez une opération où l'accessoire de coupe peut entrer en contact avec des fils cachés ou son propre cordon. Le contact de l'accessoire de coupe avec un fil "sous tension" peut rendre les parties métalliques exposées de l'outil électrique "sous tension" et peut donner à l'opérateur un choc électrique.
- m) Placez le cordon à l'écart de l'accessoire de coupe. Si vous perdez le contrôle, le cordon peut être coupé ou accroché et votre main ou votre bras peut être tiré dans la roue qui tourne.
- n) Ne posez jamais l'outil électrique avant l'arrêt complet de l'accessoire. La roue tournante peut s'accrocher à la surface et entraîner l'outil électrique hors de votre contrôle.
- o) Ne faites pas fonctionner l'outil électrique lorsque vous le portez à votre côté. Un contact accidentel avec l'accessoire en rotation pourrait accrocher vos vêtements, entraînant l'accessoire dans votre corps.
- p) Nettoyez régulièrement les orifices d'aération de l'outil électrique. Le ventilateur du moteur aspire la poussière à l'intérieur du boîtier et une accumulation excessive de poudre métallique peut entraîner des risques électriques.
- q) N'utilisez pas l'outil électrique à proximité de matériaux inflammables. Des étincelles pourraient enflammer ces matériaux.
- r) N'utilisez pas d'accessoires nécessitant des liquides de refroidissement. L'utilisation d'eau ou d'autres liquides de refroidissement peut entraîner une électrocution ou un choc.

### Recul

Le recul est une réaction soudaine à une roue rotative pincée ou accrochée. Le pincement ou l'accrochage provoque un blocage rapide de la roue en rotation, ce qui a pour effet de pousser l'outil électrique non contrôlé dans le sens opposé à la rotation de la roue au point de pincement. Par exemple, si une meule abrasive est accrochée ou pincée par la pièce, le bord de la meule qui pénètre dans le point de pincement peut s'enfoncer dans la surface du matériau, ce qui fait sortir la meule ou la fait rebondir. La meule peut sauter vers l'opérateur ou s'éloigner de lui, selon la direction du mouvement de la meule au point de pincement. Les roues abrasives peuvent également se briser dans ces conditions.

Le recul est le résultat d'une mauvaise utilisation de l'outil électrique et/ou de procédures ou conditions d'utilisation incorrectes et peut être évité en prenant les précautions appropriées indiquées ci-dessous.

- a) Maintenez une prise ferme sur l'outil électrique et positionnez votre corps et votre bras de manière à pouvoir résister aux forces de rebond. Utilisez toujours la poignée auxiliaire, si elle est fournie, pour contrôler au maximum le rebond ou la réaction de couple pendant le démarrage. L'opérateur peut contrôler les réactions de couple ou les forces de rebond, si les précautions appropriées sont prises.
- b) Ne placez jamais votre main près de l'accessoire en rotation. Le rebond propulserait l'accessoire vers votre main.
- c) Ne placez pas votre corps dans l'axe de la roue en rotation. Le rebond propulsera l'outil dans la direction opposée au mouvement de la roue au point d'accrochage.
- d) Soyez particulièrement prudent lorsque vous travaillez dans des coins, sur des arêtes vives, etc. Évitez de faire rebondir et d'accrocher l'accessoire. Les coins, les arêtes vives ou les rebonds ont tendance à accrocher l'accessoire en rotation et à provoquer une perte de contrôle ou un rebond.
- e) Ne fixez pas de chaîne de scie, de lame pour sculpter le bois, de meule diamantée segmentée avec un espace périphérique supérieur à 10 mm ou de lame de scie dentée. Ces lames provoquent fréquemment des rebonds et des pertes de contrôle.
- f) Ne pas "bloquer" la roue ou appliquer une pression excessive. Ne tentez pas de réaliser une profondeur de coupe excessive. Une pression excessive sur la roue augmente la charge et la susceptibilité de torsion ou de blocage de la roue dans la coupe et la possibilité de rebond ou de rupture de la roue.
- g) Lorsque la meule se bloque ou lorsque vous interrompez une coupe pour une raison quelconque, éteignez l'outil électrique et maintenez-le immobile jusqu'à ce que la meule s'arrête complètement. N'essayez jamais de retirer la meule de la coupe pendant qu'elle est en mouvement, sinon un rebond peut se produire. Recherchez et prenez des mesures correctives pour éliminer la cause du blocage de la meule.
- h) Ne redémarrez pas l'opération de coupe dans la pièce. Laissez la meule atteindre sa vitesse maximale et revenez avec précaution dans la coupe. La meule peut se coincer, remonter ou rebondir si l'outil électrique est redémarré dans la pièce.
- i) Soutenez les panneaux ou toute autre pièce surdimensionnée pour minimiser le risque de pincement de la meule et de rebond. Les pièces de grande taille ont tendance à s'affaisser sous leur propre poids. Des supports doivent être placés sous la pièce près de la ligne de coupe et près du bord de la pièce des deux côtés de la roue.
- j) Soyez très prudent lorsque vous effectuez une coupe dans des murs existants ou d'autres zones aveugles. La roue en saillie peut couper des conduites de gaz ou d'eau, des câbles électriques ou des objets qui peuvent provoquer un rebond. électriques ou des objets susceptibles de provoquer un rebond.

## UTILISATION PRÉVUE

La scie à métaux à tronçonner est conçue comme un appareil au sol permettant d'effectuer des coupes longitudinales droites jusqu'à 45° à l'aide de disques de coupe dans l'acier, les métaux non ferreux, la fonte et les profilés en fer sans utiliser d'eau. Toute autre utilisation ou modification de la machine est considérée comme une utilisation inappropriée et peut entraîner des blessures physiques graves.

## SPÉCIFICATIONS

Données techniques	
Modèle	BCS2030
Puissance	2300 W
Tension / Fréquence	230 V / 50 Hz
Vitesse à vide	3800 rpm
Diamètre du disque	355 mm
Performances de coupe	Plein : 50mm Creux : 110mm Aluminium carré : 110*130 mm
Caractéristiques	Système de démarrage progressif

### Parties principales (Image 2)

1. Poignée
2. Déclenchement de l'interrupteur
3. Poignée de transport
4. Couvercle de balai de carbone
5. Verrouillage
6. Vis de profondeur de coupe
7. Écrou de profondeur de coupe
8. Clôture
9. Étau
10. Plaque de base
11. Manivelle d'étau
12. Levier de serrage rapide
13. Disque de coupe
14. Garde mobile
15. Blocage de la broche
16. Bouton de sécurité de l'interrupteur

\* Le fabricant se réserve le droit d'apporter des modifications mineures à la conception et aux spécifications techniques des produits sans préavis, à moins que ces modifications n'affectent de manière significative les performances et la sécurité des produits. Les pièces décrites / illustrées dans les pages du manuel que vous tenez entre vos mains peuvent également concerner d'autres modèles de la gamme de produits du fabricant présentant des caractéristiques similaires et peuvent ne pas être incluses dans le produit que vous venez d'acquérir.

\* Pour garantir la sécurité et la fiabilité du produit et la validité de la garantie, tous les travaux de réparation, d'inspection, de réparation ou de remplacement, y compris l'entretien et les réglages spéciaux, doivent être effectués uniquement par des techniciens du service après-vente agréé du fabricant.

\* Utilisez toujours le produit avec l'équipement fourni. L'utilisation du produit avec un équipement non fourni peut entraîner des dysfonctionnements, voire des blessures graves ou mortelles. Le fabricant et l'importateur ne peuvent être tenus responsables des blessures et des dommages résultant de l'utilisation d'un équipement non conforme.

## ASSEMBLAGE



**ATTENTION ! Débranchez la fiche de l'alimentation secteur avant toute opération de réglage, de montage ou de maintenance.**

#### Verrouillage/ Poignée de transport (Images 3 & 4)

Appuyez doucement sur la poignée (1) et retirez délicatement le verrouillage (5). (Image 3)

Relevez lentement la tête de la scie.

**Important !** Le ressort de rappel soulève automatiquement la tête de la scie. Par conséquent, ne lâchez pas la poignée après la coupe, mais laissez la tête de la scie remonter lentement en

en exerçant une légère contre-pression sur la poignée.

Chaque fois que vous voulez transporter la machine, vous devez utiliser le verrouillage (5) pour ancrer la tête de la scie dans sa position abaissée. (Image 4) La scie est équipée d'une poignée de transport (3) pour faciliter son transport.

#### Réglage de la vis de profondeur de coupe (Image 5)

Le mouvement descendant du disque de coupe peut être réglé avec la vis de profondeur de coupe (6). Ceci est nécessaire pour compenser l'usure de la roue, car le disque de coupe ne s'abaisse pas.

Si le diamètre devient plus petit, il ne sera pas en mesure de couper à travers la pièce.

Desserrez l'écrou de profondeur de coupe (7) Tournez la vis de profondeur de coupe (6) vers

l'intérieur ou l'extérieur selon les besoins. Abaissez la tête de la scie pour vérifier si le disque de coupe atteint la face de serrage de l'étau. Resserrez l'écrou de profondeur de coupe (7).

#### Réglage de l'étau (Images 6 et 7)

Le support de l'étau (9) peut être agrandi en réglant le guide d'angle (8). Dévisser les deux vis du guide d'angle (8).

Réglez le guide d'angle (8) vers l'arrière et fixez-le à l'aide des trous prévus à cet effet. Veillez à ce que les vis soient à nouveau bien serrées.

#### Serrez la pièce dans l'étau. (Image 8)

Votre pièce doit être fixée dans l'étau (9) avant de commencer le processus de coupe.

Soulevez le levier de serrage rapide (12) de la barre filetée. Ce levier vous permet de régler rapidement la barre filetée, de la tourner, de la retirer ou de l'enfoncer.

Placez votre pièce à usiner entre les deux zones de serrage (pince avant 9 et guide d'angle 8). Placez la pince avant (9) tout contre la pièce.

Faites tomber le levier de serrage rapide (12) sur la barre filetée.

Tournez la manivelle de l'étau (11) (image 8) dans le sens des aiguilles d'une montre jusqu'à ce que la pièce soit solidement fixée dans l'étau.

#### Achèvement des coupes d'onglet (Images 9 et 10)

L'étau (9) peut être réglé de manière à pouvoir effectuer des coupes d'onglet à des angles de 45° - 0° - 45°.

Dévissez les deux vis du guide d'angle (8).

Ajustez la zone de serrage à l'angle souhaité.

Resserrez les deux vis.

La pince avant (11) s'ajuste automatiquement à l'angle que vous avez défini.

#### Changement du disque de coupe (Image 11)

Placez la tête de la scie dans sa position la plus haute.

Déplacez la protection avant de la scie vers le haut. Le couvercle du disque de coupe s'ouvre entièrement.

Déplacez le couvercle de la bride vers le bas.

Poussez le verrou de la broche (15) vers la droite.

Tournez le disque de coupe (13) jusqu'à ce que le verrouillage de la broche s'enclenche.

Dévissez la vis de l'arbre en la tournant dans le sens inverse des aiguilles d'une montre avec une clé à douille appropriée.

Retirez la vis de l'arbre, la bride externe et la rondelle.

Tirez le disque de coupe usé vers l'avant.

Installez le nouveau disque de coupe. Notez le sens de rotation du disque pendant cette opération.

Remettez en place la rondelle, puis la bride externe.

Revissez la vis de l'arbre. (Image 11)

**Important !** Lors du montage d'un disque de coupe, la vis de l'arbre ne doit être serrée que jusqu'à ce que le disque soit fixé et ne puisse pas tourner tout seul.

Si vous serrez trop la vis de l'arbre, le disque de coupe peut sauter de la bride du disque ou le disque peut se fracturer.

Repoussez le couvercle de la bride.

Poussez à nouveau le couvercle du disque de coupe avant vers le bas. Le couvercle du disque de coupe se ferme entièrement.

**Important !** Après avoir monté un nouveau disque de coupe, laissez la machine tourner pendant environ une minute avant de commencer tout travail de coupe.

Ne vous tenez pas dans le sens de la coupe de la machine pendant ce processus !

Si le disque présente une fracture invisible ou un autre type de dommage qui n'est pas évident, il se rompra en moins d'une minute.

#### Extraction des poussières

**Important !** Tous les aspirateurs ne conviennent pas aux copeaux métalliques, car ils peuvent être très chauds et, dans certaines circonstances, provoquer un incendie.



## OPERATION

**NOTE : Avant d'utiliser l'outil, lisez attentivement le manuel d'instructions.**

### Mise en marche/arrêt (Image 12)

La tronçonneuse est équipée d'un interrupteur de sécurité à double action, qui peut être mis en marche en appuyant sur le bouton latéral et l'interrupteur ON/OFF. (2) La scie à découper s'éteint à nouveau lorsque l'interrupteur ON/OFF est relâché.

### Travailler avec la scie à découper

Fixez d'abord votre pièce dans l'étau (9).

Mettez la machine en marche et attendez que le moteur ait atteint sa vitesse maximale.

Appuyez lentement la tête de la scie sur la poignée (1).

Guidez le disque de coupe à travers la pièce avec une pression ferme et régulière pour une coupe rapide.

Empêchez le disque de coupe de vaciller ou de sauter. Cela entraînerait de mauvais résultats de coupe, une usure prématurée, voire une fracture du disque de coupe.

Ne réduisez pas la vitesse de coupe, même à la fin du processus de coupe, car la pièce pourrait surchauffer et entraîner une formation inutile de bavures.

### Vitesse de coupe

Coupes lentes : Moins d'usure du disque de coupe (selon la qualité du disque de coupe) ; la pièce peut avoir tendance à former des bavures et à se décolorer en raison de la surchauffe.

Coupes rapides : Usure élevée du disque de coupe (en fonction de la qualité du disque de coupe) ; moins de formation de bavures et moins de décoloration sur la pièce à usiner car il ne devient pas si chaude.

## MAINTENANCE



**ATTENTION ! Débranchez la fiche de l'alimentation secteur avant d'effectuer toute tâche de nettoyage ou d'entretien.**

Nettoyez régulièrement le boîtier de la machine avec un chiffon doux, de préférence après chaque utilisation.

Veillez à ce que les fentes de ventilation soient exemptes de poussière et de saleté. Si la saleté ne s'enlève pas, utilisez un chiffon doux humidifié avec de l'eau savonneuse.

N'utilisez jamais de solvants tels que l'essence, l'alcool, l'eau ammoniacale, etc. Ces solvants peuvent endommager les pièces en plastique de l'outil.

La machine ne nécessite aucune lubrification supplémentaire.

En cas d'autres dommages à l'outil, contactez un centre de service agréé.

## ÉLIMINATION ENVIRONNEMENTALE

Afin d'éviter tout dommage pendant le transport, l'outil doit être livré dans un emballage solide. L'emballage ainsi que l'appareil et les accessoires sont fabriqués en matériaux recyclables et peuvent être éliminés en conséquence. Les composants en plastique de l'outil sont marqués en fonction de leur matériau, ce qui permet d'éliminer les déchets écologiques et différenciés grâce aux installations de collecte disponibles.



### Uniquement pour les pays de l'UE

Ne pas jeter les outils électriques avec les déchets ménagers !

Conformément à la directive européenne 2002/96/CE relative aux déchets d'équipements électriques et électroniques et à sa mise en œuvre conformément à la législation nationale, les outils électriques arrivés en fin de vie doivent être collectés séparément et remis à une installation de recyclage compatible avec l'environnement.

## SIMBOLI



Leggere attentamente il manuale dell'operatore.



AVVERTENZA! Istruzioni o simboli che, se non osservati, possono causare danni e/o lesioni.



Estrarre immediatamente la spina di rete se il cavo di alimentazione è danneggiato, impigliato o tagliato. Togliere sempre la spina di alimentazione prima di intervenire sul dispositivo.



Adatto per il metallo.



Non utilizzare per la molatura laterale.



Non utilizzare per la macinazione a umido.



Non utilizzare prodotti difettosi dischi.



Indossate le protezioni per l'udito!



Indossare una maschera antipolvere!



Indossare guanti protettivi!



Indossate gli occhiali di sicurezza!



Indossare scarpe di sicurezza!



Questo elettroutensile corrisponde alla classe di protezione II, è dotato di isolamento rinforzato o doppio.



Questo elettroutensile non deve essere smaltito con i rifiuti domestici. Seguire le istruzioni per lo smaltimento riportate nel presente manuale.

## PRECAUZIONI DI SICUREZZA



Quando si utilizza un'apparecchiatura, è necessario adottare alcune precauzioni di sicurezza per evitare lesioni e/o danni. Leggere attentamente il presente manuale prima di utilizzare l'utensile. Conservare il presente manuale d'uso per future consultazioni. Nel caso in cui l'utensile venga preso in prestito, trasferito o spostato, assicurarsi che il manuale di istruzioni rimanga con esso. Il produttore non si assume alcuna responsabilità per danni o incidenti causati dalla mancata osservanza delle presenti istruzioni di sicurezza.

**ATTENZIONE: leggere tutte le norme e le istruzioni di sicurezza. La mancata osservanza di tutte le precauzioni di sicurezza può provocare scosse elettriche, incendi e/o gravi lesioni.**

Il termine "utensile elettrico" utilizzato in questo manuale si riferisce agli utensili alimentati da corrente elettrica (con cavo di alimentazione) e agli utensili alimentati a batteria (senza cavo di alimentazione).

**Sicurezza sul posto di lavoro**

- Mantenere il luogo di lavoro pulito e ben illuminato. Luoghi di lavoro disordinati o scarsamente illuminati possono provocare incidenti.
- Non utilizzare l'elettroutensile in un ambiente a rischio di esplosione e in presenza di liquidi, gas o polveri infiammabili. Gli elettroutensili producono scintille che possono incendiare polveri o vapori.
- Non permettere ad astanti, bambini o animali di entrare nell'area di lavoro. In caso di distrazione, si può perdere il controllo dell'apparecchio.

**Sicurezza elettrica**

- La spina dell'elettroutensile deve essere inserita in una presa di corrente correttamente collegata a terra. Non modificare mai la spina in alcun modo. Non utilizzare mai spine di adattamento con utensili elettrici dotati di messa a terra. Spine non modificate e prese corrette riducono il rischio di scosse elettriche.
- Evitare il contatto del corpo con superfici collegate a terra, come frigoriferi, tubi e radiatori, quando si utilizzano utensili elettrici. In questo modo si riduce la probabilità di scosse.
- Non esporre gli utensili elettrici alla pioggia o al bagnato. Gli utensili bagnati aumentano la probabilità di scosse elettriche.
- Non abusare del cavo. Non utilizzare mai il cavo per trasportare, tirare o scollegare l'utensile elettrico. Cavi danneggiati o aggrovigliati aumentano il rischio di scosse elettriche.
- Tenere i cavi di alimentazione lontani da calore, acqua, olio, bordi taglienti e parti in movimento. Possono danneggiare l'isolamento e causare una scossa.
- Se si lavora all'aperto con un utensile elettrico, utilizzare solo cavi di prolunga progettati e contrassegnati specificamente per questo scopo.
- Se non è possibile evitare il funzionamento dell'utensile elettrico in un ambiente umido, utilizzare un interruttore differenziale (ELCB) per ridurre il rischio di scosse elettriche.

**Sicurezza personale**

- Siate vigili, fate attenzione ai vostri movimenti e utilizzate l'elettroutensile con cautela. Non utilizzare l'utensile se si è stanchi o sotto l'effetto di farmaci, alcol o altre sostanze. Un momento di negligenza nell'uso dell'elettroutensile può causare gravi lesioni.
- L'uso di dispositivi di protezione individuale (come maschere antipolvere, scarpe di sicurezza antiscivolo, casco di sicurezza o tappi per le orecchie, a seconda del tipo e dell'uso dell'elettroutensile) riduce il rischio di lesioni. Indossare sempre gli occhiali di sicurezza.
- Assicurarsi che l'utensile non possa avviarsi accidentalmente. Assicurarsi che l'utensile elettrico sia spento prima di collegarlo all'alimentazione e/o di inserire la batteria, oppure quando lo si prende in mano o lo si trasporta. Collegare l'apparecchio quando è acceso, o muovere l'utensile elettrico con il dito sull'interruttore di alimentazione, può avviare accidentalmente l'utensile e causare incidenti.
- Togliere le chiavi e gli attrezzi prima di accendere l'elettroutensile. Un utensile o una chiave che entrano in contatto con le parti rotanti dell'utensile possono causare danni o lesioni.
- Non sporgersi troppo. Mantenere sempre un equilibrio e una posizione corretta. Ciò consente di controllare meglio l'elettroutensile in situazioni impreviste.
- Indossare abiti da lavoro adeguati. Tenere capelli, vestiti e guanti lontani dalle parti in movimento. Non indossare abiti larghi o gioielli. Gli indumenti larghi, i gioielli o i capelli lunghi possono impigliarsi nelle parti in movimento.
- Se sull'utensile è possibile installare dispositivi di aspirazione e drenaggio, accertarsi che siano collegati e utilizzati correttamente. L'uso di un sistema di aspirazione della polvere può ridurre i rischi legati alla polvere.

### Sicurezza degli utensili elettrici

- a) Non sforzare eccessivamente l'utensile. Utilizzate l'utensile giusto per ogni compito. Potrete lavorare meglio e in modo più sicuro entro i parametri di prestazione specificati.
- b) Non utilizzare utensili elettrici con un interruttore difettoso. Un elettroscopio che non può essere acceso o spento è pericoloso e deve essere riparato.
- c) Scollegare l'utensile e/o rimuovere la batteria prima di effettuare qualsiasi regolazione dell'utensile, di cambiare gli accessori o di riporre l'utensile. Questa misura di sicurezza impedisce l'avvio involontario dell'elettroscopio.
- d) Tenere l'utensile elettrico fuori dalla portata dei bambini e degli utenti non addestrati. L'utensile elettrico può essere utilizzato solo da persone che abbiano letto e compreso appieno tutte le istruzioni di sicurezza. Gli utensili elettrici possono essere pericolosi se utilizzati da utenti inesperti.
- e) Pulire accuratamente l'elettroscopio. Controllare che le parti mobili funzionino correttamente e non si inceppino e che non vi siano parti rotte o danneggiate in modo tale da compromettere il funzionamento dell'elettroscopio. Rivolgersi a un centro di assistenza autorizzato per le riparazioni necessarie prima di utilizzare l'utensile. Gli utensili elettrici sottoposti a scarsa manutenzione possono causare gravi danni o lesioni.
- f) Mantenere gli utensili da taglio affilati e puliti. Gli utensili da taglio sottoposti a manutenzione accurata e con bordi taglienti affilati hanno meno probabilità di incepparsi e sono più facili da controllare.
- g) Utilizzare gli utensili elettrici, gli accessori, le attrezzature, ecc. in conformità alle presenti istruzioni. Tenere conto delle condizioni del luogo di lavoro e dell'attività da svolgere. L'uso di utensili elettrici per scopi diversi da quelli per cui sono stati concepiti può causare situazioni pericolose.

### Assistenza

La riparazione dell'elettroscopio deve essere effettuata solo da personale specializzato e utilizzando esclusivamente ricambi originali. In questo modo si garantisce che l'elettroscopio sia sempre sicuro da usare.

### Ulteriori istruzioni di sicurezza per la troncatrice

- a) La protezione fornita con l'utensile deve essere fissata saldamente all'elettroscopio e posizionata per la massima sicurezza, in modo che la ruota sia esposta il meno possibile verso l'operatore. Posizionare se stessi e gli astanti lontano dal piano della ruota rotante. La protezione aiuta a proteggere l'operatore da frammenti di ruota e dal contatto accidentale con la ruota.
- b) Utilizzare solo dischi da taglio rinforzati per il proprio elettroscopio. Il fatto che un accessorio possa essere montato sull'elettroscopio non garantisce un funzionamento sicuro.
- c) La velocità nominale dell'accessorio deve essere almeno pari alla velocità massima indicata sull'elettroscopio. Gli accessori che funzionano a una velocità superiore a quella nominale possono rompersi e andare in pezzi.
- d) Le ruote devono essere utilizzate solo per le applicazioni consigliate. Ad esempio: non smerigliare con la parte laterale del disco da taglio. Le mole da taglio abrasive sono destinate alla smerigliatura periferica; le forze laterali applicate a queste mole possono causarne la frantumazione.
- e) Utilizzare sempre flange di mola non danneggiate e del diametro corretto per la mola scelta. Le flange corrette sostengono la mola, riducendo così la possibilità di rottura della stessa.
- f) Non utilizzare ruote rinforzate usurate provenienti da utensili elettrici più grandi. Le ruote destinate a utensili più grandi non sono adatte alla velocità più elevata di un utensile più piccolo e possono rompersi.
- g) Il diametro esterno e lo spessore dell'accessorio devono rientrare nella capacità dell'elettroscopio. Gli accessori non correttamente dimensionati non possono essere protetti o controllati adeguatamente.
- h) Le dimensioni del perno di ruote e flange devono adattarsi correttamente al mandrino dell'elettroscopio. Le ruote e le flange con fori del perno che non corrispondono alla ferramenta di montaggio dell'elettroscopio si sbilanciano, vibrano eccessivamente e possono causare la perdita di controllo.
- i) Non utilizzare ruote danneggiate. Prima di ogni utilizzo, ispezionare le ruote per verificare la presenza di schegge e crepe. In caso di caduta dell'elettroscopio o della ruota, verificare la presenza di eventuali danni o installare una ruota non danneggiata. Dopo aver ispezionato e installato la ruota, posizionare se stessi e gli astanti lontano dal piano della ruota in rotazione e far funzionare l'elettroscopio alla massima velocità a vuoto per un minuto. Le ruote danneggiate normalmente si rompono durante questo tempo di prova.
- j) Indossare i dispositivi di protezione individuale. A seconda dell'applicazione, utilizzare uno schermo per il viso, occhiali di sicurezza o occhiali di sicurezza. Se necessario, indossare una maschera antipolvere, protezioni per l'udito, guanti e grembiule da officina in grado di bloccare piccoli frammenti di abrasivo o di pezzo. La protezione degli occhi deve essere in grado di bloccare i detriti volanti generati dalle varie operazioni. La maschera antipolvere o il respiratore devono essere in grado di filtrare le particelle generate dalle operazioni. L'esposizione prolungata a rumori di elevata intensità può causare la perdita dell'udito.
- k) Tenere gli astanti a distanza di sicurezza dall'area di lavoro. Chiunque entri nell'area di lavoro deve indossare i dispositivi di protezione individuale. Frammenti di pezzi o di ruote rotte possono volare via e causare lesioni al di fuori dell'area di lavoro.
- l) Tenere l'utensile elettrico solo dalle superfici di presa isolate, quando si esegue un'operazione in cui l'accessorio di taglio può entrare in contatto con cavi nascosti o con il proprio cavo. L'accessorio di taglio che entra in contatto con un filo "sotto tensione" può rendere "sotto tensione" le parti metalliche esposte dell'elettroscopio e può provocare una scossa elettrica all'operatore.
- m) Posizionare il cavo lontano dall'accessorio che gira. Se si perde il controllo, il cavo può essere tagliato o impigliato e la mano o il braccio possono essere trascinati nella ruota che gira.
- n) Non posare mai l'elettroscopio prima che l'accessorio si sia completamente fermato. La ruota rotante potrebbe afferrare la superficie e sottrarre l'elettroscopio al vostro controllo.
- o) Non far funzionare l'elettroscopio mentre lo si tiene al fianco. Un contatto accidentale con l'accessorio che gira potrebbe impigliare i vostri indumenti, trascinando l'accessorio nel vostro corpo.
- p) Pulire regolarmente le prese d'aria dell'elettroscopio. La ventola del motore aspira la polvere all'interno dell'alloggiamento e un accumulo eccessivo di polvere metallica può causare rischi elettrici.
- q) Non utilizzare l'elettroscopio in prossimità di materiali infiammabili. Le scintille potrebbero incendiare tali materiali.
- r) Non utilizzare accessori che richiedono refrigeranti liquidi. L'uso di acqua o di altri liquidi refrigeranti può provocare folgorazioni o scosse.

### Contraccoppo

Il contraccoppo è una reazione improvvisa a una ruota rotante pizzicata o impigliata. Il pizzicamento o l'impigliamento provoca un rapido arresto della ruota rotante che, a sua volta, spinge l'utensile elettrico non controllato nella direzione opposta alla rotazione della ruota nel punto di impuntamento. Ad esempio, se una mola abrasiva viene agganciata o pizzicata dal pezzo in lavorazione, il bordo della mola che entra nel punto di aggancio può scavare nella superficie del materiale causando la risalita o il distacco della mola. La ruota può saltare verso l'operatore o allontanarsi da esso, a seconda della direzione del movimento della ruota nel punto di pizzicamento. Anche le ruote abrasive possono rompersi in queste condizioni.

Il contraccolpo è il risultato di un uso improprio dell'elettrotensile e/o di procedure o condizioni operative non corrette e può essere evitato adottando le precauzioni indicate di seguito.

- a) Mantenere una presa salda sull'elettrotensile e posizionare il corpo e il braccio in modo da resistere alle forze di contraccolpo. Utilizzare sempre l'impugnatura ausiliaria, se prevista, per avere il massimo controllo sul contraccolpo o sulla reazione di coppia durante l'avviamento. L'operatore può controllare le reazioni di coppia o le forze di contraccolpo, se si prendono le dovute precauzioni.
- b) Non avvicinare mai la mano all'accessorio rotante. Il contraccolpo spingerà l'accessorio verso la mano.
- c) Non posizionare il corpo in linea con la ruota rotante. Il contraccolpo spinge l'utensile in direzione opposta al movimento della ruota nel punto di aggancio.
- d) Prestare particolare attenzione quando si lavorano angoli, spigoli vivi, ecc. Evitare di far rimbalzare e impigliare l'accessorio. Gli angoli, gli spigoli vivi o i rimbalzi tendono ad agganciare l'accessorio rotante e a causare la perdita di controllo o il contraccolpo.
- e) Non montare una catena di sega, una lama per intaglio, un disco diamantato segmentato con uno spazio periferico superiore a 10 mm o una lama dentata. Tali lame provocano frequenti contraccolpi e perdita di controllo.
- f) Non "incastrare" la ruota o applicare una pressione eccessiva. Non cercare di ottenere una profondità di taglio eccessiva. Una sollecitazione eccessiva della ruota aumenta il carico e la possibilità di torsione o di bloccaggio della ruota durante il taglio, nonché la possibilità di contraccolpi o di rottura della ruota.
- g) Quando la ruota si lega o quando si interrompe un taglio per qualsiasi motivo, spegnere l'elettrotensile e tenerlo fermo finché la ruota non si arresta completamente. Non tentare mai di rimuovere la ruota dal taglio mentre è in movimento, altrimenti si potrebbe verificare un contraccolpo. Esaminare e adottare misure correttive per eliminare la causa dell'inzeppamento della ruota.
- h) Non riavviare l'operazione di taglio nel pezzo in lavorazione. Lasciare che la ruota raggiunga la massima velocità e rientrare con cautela nel taglio. Se l'elettrotensile viene riavviato nel pezzo in lavorazione, la mola può legarsi, camminare verso l'alto o subire un contraccolpo.
- i) Sostenere i pannelli o qualsiasi pezzo di dimensioni eccessive per ridurre al minimo il rischio di schiacciamento della ruota e di contraccolpo. I pezzi di grandi dimensioni tendono ad abbassarsi sotto il loro stesso peso. I supporti devono essere collocati sotto il pezzo in lavorazione vicino alla linea di taglio e vicino al bordo del pezzo su entrambi i lati della mola.
- j) Prestare particolare attenzione quando si esegue un taglio in pareti esistenti o in altre aree cieche. La ruota sporgente può tagliare tubi del gas o dell'acqua, cavi elettrici o oggetti che possono causare contraccolpi.

## USO PREVISTO

La troncatrice è un apparecchio da pavimento per eseguire tagli longitudinali rettilinei fino a 45° con dischi da taglio in acciaio, metalli non ferrosi, ghisa e profilati di ferro senza l'uso di acqua. Qualsiasi altro uso o modifica della macchina è da considerarsi improprio e può provocare gravi lesioni fisiche.

## SPECIFICHE

Dati tecnici	
Modello	BCS2030
Potenza	2300 W
Tensione / Frequenza	230 V / 50 Hz
Velocità a vuoto	3800 giri/min.
Diametro del disco	355 mm
Prestazioni di taglio	Solido : 50 mm Cavo : 110 mm Alluminio quadrato: 110*130 mm
Caratteristiche	Sistema di avviamento graduale

### Parti principali (Immagine 2)

1. Maniglia
2. Interruttore a grilletto
3. Maniglia di trasporto
4. Coperchio della spazzola in carbonio
5. Interblocco
6. Vite di profondità di taglio
7. Dado di profondità di taglio
8. Recinzione
9. Morsa
10. Piastra di base
11. Manovella della morsa
12. Leva di bloccaggio rapido
13. Disco da taglio
14. Protezione mobile
15. Blocco del mandrino
16. Manopola di sicurezza dell'interruttore

\* Il produttore si riserva il diritto di apportare modifiche minori al design e alle specifiche tecniche del prodotto senza preavviso, a meno che tali modifiche non influiscano significativamente sulle prestazioni e sulla sicurezza dei prodotti. Le parti descritte/illustrate nelle pagine del manuale che avete tra le mani possono riguardare anche altri modelli della linea di prodotti del produttore con caratteristiche simili e potrebbero non essere incluse nel prodotto appena acquistato.

\* Per garantire la sicurezza e l'affidabilità del prodotto e la validità della garanzia, tutti i lavori di riparazione, ispezione, riparazione o sostituzione, compresa la manutenzione e le regolazioni speciali, devono essere eseguiti esclusivamente da tecnici del servizio di assistenza autorizzato del produttore.

\* Utilizzare sempre il prodotto con le apparecchiature in dotazione. L'uso del prodotto con apparecchiature non in dotazione può causare malfunzionamenti o addirittura lesioni gravi o morte. Il produttore e l'importatore non sono responsabili per lesioni e danni derivanti dall'uso di apparecchiature non conformi.



## ASSEMBLAGGIO



**ATTENZIONE!** Scollegare la spina dalla rete di alimentazione prima di qualsiasi operazione di regolazione, montaggio o manutenzione.

### Interblocco/maniglia di trasporto (immagini 3 e 4)

Spingere delicatamente verso il basso la maniglia (1) ed estrarre con cautela l'interblocco (5). (Immagine 3)  
Sollevare lentamente la testa della sega.

**Importante!** La molla di ripristino solleva automaticamente la testa della sega. Pertanto, non lasciare l'impugnatura dopo il taglio, ma lasciare che la testa della sega si sollevi lentamente esercitando una leggera contropressione sull'impugnatura.

Ogni volta che si desidera trasportare la macchina, è necessario utilizzare l'interblocco (5) per ancorare la testa della sega in posizione abbassata. (Im. 4)  
La motosega è dotata di una maniglia di trasporto (3) che ne facilita il trasporto.

### Regolazione della vite di profondità di taglio (Immagine 5)

Il movimento verso il basso del disco di taglio può essere regolato con la vite della profondità di taglio (6). Questo è necessario per compensare l'usura della mola: quando il disco di taglio diventa più piccolo di diametro, non sarebbe in grado di tagliare il pezzo.

Allentare il dado della profondità di taglio (7) Ruotare la vite della profondità di taglio (6) in dentro o in fuori secondo le necessità.

Abbassare la testa della sega per verificare se il disco di taglio raggiunge la superficie di bloccaggio della morsa.

Serrare nuovamente il dado della profondità di taglio (7).

### Impostazione della morsa (immagini 6 e 7)

Il supporto della morsa (9) può essere allargato regolando la guida angolare (8). Svitare le due viti della guida angolare (8).

Regolare la guida angolare (8) verso la parte posteriore e fissarla utilizzando gli appositi fori. Assicurarsi che i collegamenti a vite siano nuovamente serrati.

### Bloccare il pezzo in lavorazione nella morsa. (Immagine 8)

Il pezzo da lavorare deve essere fissato nella morsa (9) prima di iniziare il processo di taglio.

Sollevare la leva di bloccaggio rapido (12) dalla barra filettata. Questa leva consente di regolare rapidamente la barra filettata, di ruotarla, di estrarla o di spingerla in dentro.

Posizionare il pezzo tra le due aree di serraggio (9 morsetto anteriore e 8 guida angolare).

Spostare il morsetto anteriore (9) contro il pezzo.

Far cadere la leva di bloccaggio rapido (12) sulla barra filettata.

Ruotare la manovella della morsa (11) (Immagine 8) in senso orario fino a fissare saldamente il pezzo nella morsa.

### Completamento dei tagli obliqui (immagini 9 e 10)

La morsa (9) può essere regolata in modo da poter eseguire tagli obliqui con angoli di 45° - 0° - 45°.

Allentare le due viti della guida angolare (8).

Regolare l'area di serraggio all'angolo desiderato.

Serrare nuovamente le due viti.

Il morsetto anteriore (11) si regolerà automaticamente in base all'angolo impostato.

### Sostituzione del disco di taglio (Immagine 11)

Portare la testa della sega nella posizione più alta.

Spostare la protezione anteriore della sega verso l'alto. L'intero coperchio del disco di taglio si aprirà.

Spostare il coperchio della flangia verso il basso.

Spingere il blocco del mandrino (15) verso destra.

Ruotare il disco di taglio (13) fino all'innesto del blocco del mandrino.

Svitare la vite dell'albero ruotandola in senso antiorario con una chiave a bussola adatta.

Rimuovere la vite dell'albero, la flangia esterna e la rondella.

Estrarre il disco da taglio usurato in avanti.

Montare il nuovo disco di taglio. Osservare il senso di rotazione del disco.

Rimontare la rondella e quindi la flangia esterna.

Avvitare nuovamente la vite dell'albero. (Immagine 11)

**Importante!** Quando si monta un disco da taglio, la vite dell'albero deve essere serrata solo fino al punto in cui il disco è sicuro e non può girare da solo. Se si stringe troppo la vite dell'albero, il disco da taglio potrebbe saltare dalla flangia del disco o potrebbe rompersi.

Spingere nuovamente il coperchio della flangia.

Spingere nuovamente verso il basso il coperchio anteriore del disco di taglio. L'intero coperchio del disco di taglio si chiude.

**Importante!** Dopo aver montato un nuovo disco da taglio, lasciar funzionare la macchina per circa un minuto prima di iniziare qualsiasi lavoro di taglio. Non sostare nella direzione di taglio della macchina durante questo processo!

Se il disco presenta una frattura invisibile o un altro tipo di danno non evidente, si romperà in meno di un minuto.

### Aspirazione della polvere

**Importante!** Non tutti gli aspiratori di polvere sono adatti per i trucioli metallici, poiché possono essere molto caldi e, in determinate circostanze, possono provocare un incendio.

## FUNZIONAMENTO

**NOTA:** prima di utilizzare lo strumento, leggere attentamente le istruzioni per l'uso.

Interruttore di accensione/spengimento (Immagine 12)

La troncatrice è dotata di un interruttore di sicurezza a due azioni, che può essere avviato premendo la manopola laterale e l'interruttore ON/OFF. (2)  
La troncatrice si spegne nuovamente quando si rilascia l'interruttore ON/OFF.

### Lavorare con la troncatrice

Per prima cosa fissare il pezzo in lavorazione nella morsa (9).

Accendere la macchina e attendere che il motore raggiunga la velocità massima.

Premere lentamente la testa della sega sull'impugnatura (1).

Guidare il disco da taglio attraverso il pezzo con una pressione uniforme e decisa per un taglio veloce.

Evitare che il disco da taglio si muova o salti. Ciò comporterebbe risultati di taglio scadenti, usura prematura o addirittura la rottura del disco da taglio.

Non ridurre la velocità di taglio nemmeno alla fine del processo di taglio, poiché il pezzo potrebbe surriscaldarsi e causare la formazione di bave inutili.

### Velocità di taglio

Tagli lenti: Minore usura del disco di taglio (a seconda della qualità del disco di taglio); il pezzo può tendere a formare bave e a scolorirsi a causa del surriscaldamento.

Tagli veloci: Elevata usura del disco da taglio (a seconda della qualità del disco da taglio); minore formazione di bave e minore scolorimento del pezzo da lavorare, poiché non si surriscalda. non si surriscalda.

## MANUTENZIONE



**ATTENZIONE!** Scollegare la spina dalla rete di alimentazione prima di eseguire qualsiasi operazione di pulizia o manutenzione.

Pulire regolarmente l'alloggiamento della macchina con un panno morbido, preferibilmente dopo ogni utilizzo.

Mantenere le fessure di ventilazione libere da polvere e sporcizia. Se lo sporco non viene via, utilizzare un panno morbido inumidito con acqua saponata.

Non utilizzare mai solventi come benzina, alcol, acqua ammoniacale, ecc. Questi solventi possono danneggiare le parti in plastica dell'utensile.

La macchina non necessita di ulteriore lubrificazione.

In caso di altri danni all'utensile, rivolgersi a un centro di assistenza autorizzato.

## SMALTIMENTO AMBIENTALE

Per evitare danni durante il trasporto, l'utensile deve essere consegnato in un imballaggio solido. L'imballaggio, l'unità e gli accessori sono realizzati con materiali riciclabili e possono essere smaltiti di conseguenza. I componenti in plastica dell'utensile sono contrassegnati in base al materiale di cui sono composti, il che rende possibile l'eliminazione dei rifiuti ecologici e differenziati grazie alle strutture di raccolta disponibili.



### Solo per i paesi dell'UE

Non smaltire gli utensili elettrici insieme ai rifiuti domestici!

In conformità alla direttiva europea 2002/96/CE sui rifiuti di apparecchiature elettriche ed elettroniche e alla sua attuazione in conformità alla legislazione nazionale, gli utensili elettrici giunti a fine vita devono essere raccolti separatamente e conferiti a un impianto di riciclaggio compatibile con l'ambiente.

## ΣΥΜΒΟΛΑ



Διαβάστε προσεκτικά τις οδηγίες χρήσης.



**ΠΡΟΕΙΔΟΠΟΙΗΣΗ!** Μη τήρηση των οδηγιών μπορεί να οδηγήσει σε ζημιά ή/και τραυματισμό.



Αποσυνδέστε από την παροχή ρεύματος, εάν το καλώδιο έχει υποστεί ζημιά, έχει μπλέξει ή έχει κοπεί ή πριν από εργασίες στη συσκευή.



Κατάλληλο για μέταλλο.



Μην χρησιμοποιείτε για πλευρική λείανση.



Μην χρησιμοποιείτε για υγρή λείανση.



Μην χρησιμοποιείτε ελαττωματικούς δίσκους.



Φορέστε ωτοασπίδες!



Φορέστε μάσκα σκόνης!



Φορέστε γάντια εργασίας!



Φορέστε γυαλιά ασφαλείας!



Φορέστε παπούτσια ασφαλείας!



Κατηγορία προστασίας II, αυτό το εργαλείο είναι εξοπλισμένο με ενισχυμένη ή διπλή μόνωση.



Μην απορρίπτετε ηλεκτρικά εργαλεία μαζί με οικιακά απορρίμματα. Ακολουθήστε τις οδηγίες απόρριψης που περιέχονται στο παρόν εγχειρίδιο.

## ΟΔΗΓΙΕΣ ΑΣΦΑΛΕΙΑΣ



Κατά τη χρήση οποιουδήποτε εξοπλισμού, πρέπει να λαμβάνονται ορισμένες προφυλάξεις ασφαλείας για την αποφυγή τραυματισμών ή/και βλαβών. Διαβάστε προσεκτικά το παρόν εγχειρίδιο πριν χρησιμοποιήσετε το εργαλείο. Φυλάξτε αυτό το εγχειρίδιο χρήσης για μελλοντική αναφορά. Σε περίπτωση που αυτό το εργαλείο παραχωρηθεί, μεταφερθεί ή μετακινηθεί, βεβαιωθείτε ότι το εγχειρίδιο οδηγιών χρήσης παραμένει μαζί του. Ο κατασκευαστής δεν αναλαμβάνει καμία ευθύνη για βλάβες ή ατυχήματα που προκαλούνται από τη μη τήρηση των οδηγιών ασφαλείας.

**ΠΡΟΣΟΧΗ:** Διαβάστε όλους τους κανονισμούς και τις οδηγίες ασφαλείας. Η μη τήρηση όλων των προφυλάξεων ασφαλείας μπορεί να οδηγήσει σε ηλεκτροπληξία, πυρκαγιά ή/και σοβαρό τραυματισμό.

Ο όρος "ηλεκτρικό εργαλείο" που χρησιμοποιείται στο παρόν εγχειρίδιο αναφέρεται σε ηλεκτρικά εργαλεία που τροφοδοτούνται με ηλεκτρικό ρεύμα (με καλώδιο τροφοδοσίας) και σε ηλεκτρικά εργαλεία που λειτουργούν με μπαταρία (χωρίς καλώδιο τροφοδοσίας).

**Ασφάλεια χώρου εργασίας**

- Διατηρήστε το χώρο εργασίας σας καθαρό και καλά φωτισμένο. Οι ακατάστατοι ή κακώς φωτισμένοι χώροι εργασίας μπορεί να οδηγήσουν σε ατυχήματα.
- Μην χρησιμοποιείτε το ηλεκτρικό εργαλείο σε περιβάλλον όπου ενδέχεται να υπάρξει κίνδυνος έκρηξης ή όπου υπάρχουν εύφλεκτα υγρά, αέρια ή σκόνη. Τα ηλεκτρικά εργαλεία παράγουν σπινθήρες που θα μπορούσαν να αναφλέξουν σκόνη ή αναθυμιάσεις.
- Μην επιτρέπετε σε παρευρισκόμενους, παιδιά ή ζώα να εισέρχονται στο χώρο εργασίας σας. Εάν υπάρχει απόσπαση της προσοχής, μπορεί να χάσετε τον έλεγχο της συσκευής.

**Ηλεκτρική ασφάλεια**

- Το βύσμα από το ηλεκτρικό εργαλείο πρέπει να συνδεθεί σε κατάλληλα γειωμένη εντοιχισμένη πρίζα. Ποτέ μην τροποποιείτε το βύσμα με οποιονδήποτε τρόπο. Μην χρησιμοποιείτε αντάπτορες στα γειωμένα ηλεκτρικά εργαλεία. Τα άθικτα βύσματα και οι σωστές πρίζες θα μειώσουν τον κίνδυνο ηλεκτροπληξίας.
- Αποφεύγετε την επαφή του σώματος με γειωμένες επιφάνειες, όπως ψυγεία, σωλήνες και καλοριφέρ, όταν χρησιμοποιείτε ηλεκτρικά εργαλεία.
- Μην εκθέτετε τα ηλεκτρικά εργαλεία σε βροχή ή σε συνθήκες υγρασίας. Τα βρεγμένα εργαλεία αυξάνουν την πιθανότητα ηλεκτροπληξίας.
- Μην χρησιμοποιήσετε το καλώδιο για να μεταφέρετε το μηχάνημα, να το κρεμάσετε ή για να το βγάλετε από την πρίζα. Χαλασμένα ή μπερδεμένα καλώδια αυξάνουν τον κίνδυνο ηλεκτροπληξίας.
- Κρατήστε το καλώδιο μακριά από ζεστές επιφάνειες, λάδι, αιχμηρά αντικείμενα ή κινούμενα μέρη. Ενδέχεται να προκαλέσουν ζημιά στη μόνωση και να προκαλέσουν ηλεκτροπληξία.
- Εάν εργάζεστε σε εξωτερικούς χώρους με ηλεκτρικό εργαλείο, χρησιμοποιείτε μόνο καλώδια προέκτασης που έχουν σχεδιαστεί και φέρουν ειδική σήμανση για το σκοπό αυτό.
- Εάν η λειτουργία ενός ηλεκτρικού εργαλείου σε χώρο με υγρασία δεν μπορεί να αποφευχθεί χρησιμοποιήστε μια ασφάλεια βραχυκύκλωσης για προστασία από βραχυκύκλωμα.

**Προσωπική ασφάλεια**

- Να είστε σε εγρήγορση, να προσέχετε τις κινήσεις σας και να χρησιμοποιείτε ένα ηλεκτρικό εργαλείο με προσοχή. Μην χρησιμοποιείτε το εργαλείο εάν είστε κουρασμένοι ή υπό την επήρεια φαρμάκων, αλκοόλ ή άλλων ουσιών. Μια στιγμή απροσεξίας κατά τη χρήση του εργαλείου μπορεί να οδηγήσει σε σοβαρό τραυματισμό.
- Η χρήση μέσων ατομικής προστασίας (όπως μάσκες σκόνης, αντιολισθητικά παπούτσια ασφαλείας, κράνος ασφαλείας ή ωτοασπίδες ανάλογα με τον τύπο και τη χρήση του ηλεκτρικού εργαλείου) μειώνει τον κίνδυνο τραυματισμού. Φοράτε πάντα γυαλιά ασφαλείας.
- Αποφύγετε την κατά λάθος εκκίνηση. Βεβαιωθείτε ότι το ηλεκτρικό εργαλείο είναι απενεργοποιημένο πριν το συνδέσετε στην παροχή ρεύματος ή/και πριν τοποθετήσετε την μπαταρία, ή πριν το σηκώσετε ή το μεταφέρετε. Η μεταφορά του εργαλείου με το δάχτυλο στο διακόπτη μπορεί να προκαλέσει ατυχήματα.
- Αφαιρέστε όλα τα κλειδιά ρύθμισης από το εργαλείο πριν να το λειτουργήσετε. Ένα κλειδί μπορεί να εκτοξευτεί και να προκαλέσει σοβαρό τραυματισμό.
- Μην τεντώνετε. Αποφεύγετε μη φυσιολογικές στάσεις σώματος κατά την εργασία. Κρατήστε σταθερό πάτημα και ισορροπία. Αυτό σας επιτρέπει να έχετε καλύτερο έλεγχο του εργαλείου σας ανά πάσα στιγμή.
- Ντυθείτε κατάλληλα. Μην φοράτε φαρδιά ρούχα και κοσμήματα. Κρατήστε τα μαλλιά, τα ρούχα και τα γάντια σας μακριά από τα κινούμενα μέρη του εργαλείου. Τα φαρδιά ρούχα, τα κοσμήματα και τα μακριά μαλλιά μπορεί να πιαστούν στα κινούμενα μέρη του εργαλείου.
- Εάν το εργαλείο σας συμπεριλαμβάνει σύνδεση με σύστημα απορρόφησης σκόνης σιγουρευτείτε ότι το έχετε συνδέσει και το χρησιμοποιείτε κατάλληλα. Η χρήση αυτού του συστήματος μπορεί να μειώσει τους κινδύνους που συσχετίζονται με την σκόνη.

### Ασφάλεια χρήσης ηλεκτρικού εργαλείου

- α) Μην υπερφορτώνετε το εργαλείο. Χρησιμοποιήστε το κατάλληλο εργαλείο για την κατάλληλη εργασία. Το σωστό εργαλείο θα κάνει την εργασία πιο αποδοτικά και με μεγαλύτερη ασφάλεια στο ρυθμό για το οποίο σχεδιάστηκε.
- β) Μην χρησιμοποιείτε το εργαλείο εάν ο διακόπτης δεν λειτουργεί. Οποιοδήποτε εργαλείο δεν μπορεί να ελεγχθεί είναι επικίνδυνο και πρέπει να επισκευαστεί πριν τη χρήση.
- γ) Αποσυνδέστε το μηχανήμα από την πρίζα ή από την μπαταρία πριν να πραγματοποιήσετε ρυθμίσεις, αλλαγή εξαρτημάτων ή πριν να ακουμπήσετε κάτω. Με τον τρόπο αυτό μειώνετε τον κίνδυνο της κατά λάθος εκκίνησης.
- δ) Αποθηκεύστε τα εργαλεία μακριά από παιδιά και μην επιτρέψετε σε άτομα που δεν γνωρίζουν τις οδηγίες χρήσης να τα λειτουργήσουν. Τα ηλεκτρικά εργαλεία είναι επικίνδυνα στα χέρια ατόμων που δεν έχουν την κατάλληλη γνώση.
- ε) Συντηρήστε τα ηλεκτρικά εργαλεία. Ελέγξτε για προβλήματα στα κινούμενα μέρη, σπασμένα ανταλλακτικά και για όποια άλλη κατάσταση μπορεί να επηρεάσει τον τρόπο λειτουργίας του εργαλείου. Επικοινωνήστε με ένα εξουσιοδοτημένο κέντρο σέρβις για τυχόν απαιτούμενες επισκευές πριν χρησιμοποιήσετε το εργαλείο. Πολλά ατυχήματα μπορεί να προκύψουν από ένα κακά συντηρημένο εργαλείο.
- στ) Κρατήστε το εξάρτημα κοπής καθαρό και αιχμηρό. Το εξάρτημα κοπής που είναι αιχμηρό είναι πιο δύσκολο να μπλοκάρει και πιο εύκολο να ελεγχθεί.
- ζ) Χρησιμοποιήστε τα εργαλεία, τα εξαρτήματα και τα ανταλλακτικά σύμφωνα με τις οδηγίες αυτές, λαμβάνοντας υπόψιν τις συνθήκες και την εργασία που θέλετε να εκτελέσετε. Η χρήση του εργαλείου για διαφορετικές λειτουργίες από αυτές για τις οποίες έχει σχεδιαστεί μπορεί να οδηγήσει σε ατυχήματα.

### Σέρβις

Δώστε τα εργαλεία σας σε εξουσιοδοτημένο τεχνικό για σέρβις και επισκευές χρησιμοποιώντας μόνο αυθεντικά ανταλλακτικά.

### Πρόσθετες οδηγίες ασφαλείας για Δισκοπρίονα Μετάλλου

- α) Το προστατευτικό που παρέχεται με το εργαλείο πρέπει να είναι σταθερά προσαρτημένο στο εργαλείο και τοποθετημένο έτσι ώστε να εκτίθεται το μικρότερο δυνατό μέρος του τροχού προς τον χειριστή. Τοποθετήστε τον εαυτό σας και τους παρευρισκόμενους μακριά από το πεδίο του περιστρεφόμενου τροχού. Το προστατευτικό συμβάλλει στην προστασία του χειριστή από θραύσματα του τροχού που έχουν σπάσει και από τυχαία επαφή με τον τροχό.
- β) Χρησιμοποιείτε για το ηλεκτρικό σας εργαλείο μόνο ενισχυμένους τροχούς κοπής. Το γεγονός ότι ένα εξάρτημα μπορεί να προσαρτηθεί στο ηλεκτρικό εργαλείο σας, δεν εξασφαλίζει την ασφαλή λειτουργία.
- γ) Η ονομαστική ταχύτητα του εξαρτήματος πρέπει να είναι τουλάχιστον ίση με τη μέγιστη ταχύτητα που αναγράφεται στο ηλεκτρικό εργαλείο. Τα εξαρτήματα που λειτουργούν με ταχύτητα μεγαλύτερη από την ονομαστική τους ταχύτητα μπορεί να θρυμματιστούν και να τιναχτούν προς τον χρήστη.
- δ) Οι τροχοί πρέπει να χρησιμοποιούνται μόνο για τις προτεινόμενες εφαρμογές. Για παράδειγμα: μην λειαίνετε με τροχούς κοπής. Οι λειαντικοί τροχοί προορίζονται για περιφερειακή λείανση, οι πλευρικές δυνάμεις που εφαρμόζονται σε αυτούς τους τροχούς μπορεί να τους προκαλέσουν θρυμματισμό.
- ε) Χρησιμοποιείτε πάντα άθικτες φλάντζες τροχών που έχουν τη σωστή διάμετρο για τον επιλεγμένο τροχό. Οι σωστές φλάντζες στηρίζουν τον τροχό μωνώντας έτσι την πιθανότητα θραύσης.
- στ) Μην χρησιμοποιείτε φθαρμένους τροχούς από μεγαλύτερα ηλεκτρικά εργαλεία. Οι τροχοί που προορίζονται για ένα μεγαλύτερο ηλεκτρικό εργαλείο δεν είναι κατάλληλοι για την υψηλότερη ταχύτητα ενός μικρότερου εργαλείου και ενδέχεται να σπάσουν.
- ζ) Η εξωτερική διάμετρος και το πάχος του εξαρτήματος πρέπει να είναι εντός της ονομαστικής χωρητικότητας του ηλεκτρικού εργαλείου σας. Τα αξεσουάρ με λανθασμένο μέγεθος δεν μπορούν να είναι επαρκώς προστατευμένα ή ελεγχόμενα.
- η) Το μέγεθος του άξονα των τροχών και των φλαντζών πρέπει να ταιριάζει σωστά στον άξονα του ηλεκτρικού εργαλείου. Τροχοί και φλάντζες με οπές που δεν ταιριάζουν με το ηλεκτρικό εργαλείο θα βγουν εκτός τροχιάς, θα τρανιάζονται υπερβολικά και μπορεί να προκαλέσουν απώλεια ελέγχου.
- θ) Μην χρησιμοποιείτε κατεστραμμένους τροχούς. Πριν από κάθε χρήση, επιθεωρήστε τους τροχούς για θραύσματα και ρωγμές. Εάν το ηλεκτρικό εργαλείο ή ο τροχός πέσει, επιθεωρήστε για ζημιές ή τοποθετήστε έναν άθικτο τροχό. Μετά την επιθεώρηση και την τοποθέτηση του τροχού, τοποθετήστε τον εαυτό σας και τους παρευρισκόμενους μακριά από το πεδίο του τροχού και λειτουργήστε το ηλεκτρικό εργαλείο στη μέγιστη ταχύτητα χωρίς φορτίο για ένα λεπτό. Οι κατεστραμμένοι τροχοί θα αρχίσουν να διαλύονται κανονικά κατά τη διάρκεια αυτής της δοκιμής.
- ι) Φοράτε ατομικό εξοπλισμό προστασίας. Ανάλογα με την εφαρμογή, χρησιμοποιήστε ασπίδα προσώπου ή γυαλιά ασφαλείας. Ανάλογα με την περίπτωση, φορέστε μάσκα σκόνης, προστατευτικά ακοής, γάντια και ποδιά εργαστηρίου ικανή να σταματήσει μικρά θραύσματα. Η προστασία των ματιών πρέπει να είναι ικανή να σταματήσει τα θραύσματα που δημιουργούνται από διάφορες εργασίες. Η μάσκα σκόνης πρέπει να είναι ικανή να φιλτράρει τα σωματίδια που παράγονται από τις εργασίες σας. Η παρατεταμένη έκθεση σε θόρυβο υψηλής έντασης μπορεί να προκαλέσει απώλεια ακοής.
- ια) Κρατήστε τους παρευρισκόμενους σε απόσταση ασφαλείας. Όποιος εισέρχεται στο χώρο εργασίας πρέπει να φοράει εξοπλισμό ατομικής προστασίας. Θραύσματα προερχόμενα από το τεμάχιο εργασίας ή από ένα σπασμένο τροχό μπορεί να προκαλέσουν τραυματισμό πέρα από την άμεση περιοχή εργασίας.
- ιβ) Κρατάτε το ηλεκτρικό εργαλείο μόνο από μονωμένες επιφάνειες λαβής, όταν εκτελείτε μια εργασία όπου το εξάρτημα κοπής μπορεί να έρθει σε επαφή με κρυφές καλωδιώσεις ή με το δικό του καλώδιο. Το εξάρτημα κοπής που έρχεται σε επαφή με "ηλεκτροφόρο" καλώδιο μπορεί να καταστήσει τα εκτεθειμένα μεταλλικά μέρη του ηλεκτρικού εργαλείου "ηλεκτροφόρα" και να προκαλέσει στον χειριστή ηλεκτροπληξία.
- ιγ) Τοποθετήστε το καλώδιο μακριά από το περιστρεφόμενο αξεσουάρ. Εάν χάσετε τον έλεγχο, το καλώδιο μπορεί να κοπεί ή να παγιδευτεί και το χέρι ή ο βραχίονας σας μπορεί να τραβηχτεί μέσα στον περιστρεφόμενο τροχό.
- ιδ) Ποτέ μην αφήνετε το ηλεκτρικό εργαλείο κάτω μέχρι να σταματήσει εντελώς το εξάρτημα να κινείται. Ο περιστρεφόμενος τροχός μπορεί να χτυπήσει σε μια επιφάνεια και να τραβήξει το ηλεκτρικό εργαλείο εκτός του ελέγχου σας.
- ιε) Μην χρησιμοποιείτε το ηλεκτρικό εργαλείο ενώ το μεταφέρετε στο πλευρό σας. Η τυχαία επαφή με το περιστρεφόμενο εξάρτημα μπορεί να "πιάσει" τα ρούχα σας, τραβώντας το εξάρτημα προς το σώμα σας.
- ιστ) Καθαρίζετε τακτικά τους αεραγωγούς του ηλεκτρικού εργαλείου. Ο ανεμιστήρας του κινητήρα θα τραβήξει τη σκόνη στο εσωτερικό του περιβλήματος και η υπερβολική συσσώρευση σκόνης μετάλλου μπορεί να προκαλέσει ηλεκτρικούς κινδύνους.
- ιζ) Μην χρησιμοποιείτε το ηλεκτρικό εργαλείο κοντά σε εύφλεκτα υλικά. Οι σπινθήρες μπορούν να οδηγήσουν σε ανάφλεξη.
- ιη) Μην χρησιμοποιείτε εξαρτήματα που απαιτούν υγρά ψυκτικά μέσα. Η χρήση νερού ή άλλων υγρών μέσων μπορεί να προκαλέσει ηλεκτροπληξία ή βραχυκύκλωμα.

### Ανάκρουση (Κλώτσημα)

Η ανάκρουση είναι μια ξαφνική αντίδραση ενός περιστρεφόμενου τροχού που πιέζεται ή παγιδεύεται. Το "δέσιμο" ή η "εμπλοκή" προκαλεί ταχεία ακινητοποίηση του περιστρεφόμενου τροχού, η οποία με τη σειρά της προκαλεί την εξαναγκαστική κίνηση του μη ελεγχόμενου ηλεκτρικού εργαλείου προς την αντίθετη κατεύθυνση από την περιστροφή του τροχού. Για παράδειγμα, εάν ένας τροχός λείανσης παγιδευτεί στο τεμάχιο εργασίας, η άκρη του τροχού που εισέρχεται στο σημείο μπορεί να εγκλωβιστεί στην επιφάνεια του υλικού προκαλώντας την αναπήδηση του τροχού ή την απότομη προώθησή του. Ο τροχός μπορεί να κινηθεί είτε προς τον χειριστή είτε να απομακρυνθεί από αυτόν, ανάλογα με την κατεύθυνση της κίνησης του τροχού στο σημείο ανάκρουσης. Οι λειαντικοί τροχοί μπορεί επίσης να σπάσουν υπό αυτές τις συνθήκες.

Η ανάκρουση είναι αποτέλεσμα κακής χρήσης του ηλεκτρικού εργαλείου και/ή λανθασμένων διαδικασιών ή συνθηκών λειτουργίας και μπορεί να αποφευχθεί με τη λήψη των κατάλληλων προφυλάξεων που αναφέρονται παρακάτω.

- α) Διατηρήστε με σταθερή λαβή το ηλεκτρικό εργαλείο και τοποθετήστε το σώμα και το χέρι σας έτσι ώστε να μπορείτε να αντισταθείτε στις δυνάμεις ανάκρουσης. Χρησιμοποιείτε πάντοτε τη βοηθητική λαβή, εάν παρέχεται, για μέγιστο έλεγχο της αντίδρασης ή της ροπής κατά την εκκίνηση. Ο χειριστής μπορεί να ελέγξει τις αντιδράσεις ροπής ή τις δυνάμεις ανάκρουσης, εάν λαμβάνονται οι κατάλληλες προφυλάξεις.
- β) Ποτέ μην τοποθετείτε το χέρι σας κοντά στο περιστρεφόμενο εξάρτημα. Το εξάρτημα μπορεί να αναπηδήσει πάνω στο χέρι σας.
- γ) Μην τοποθετείτε το σώμα σας στην ίδια ευθεία με τον περιστρεφόμενο τροχό. Η ανάκρουση θα ωθήσει το εργαλείο προς την αντίθετη κατεύθυνση από την κίνηση του τροχού στο σημείο της εμπλοκής.
- δ) Να είστε ιδιαίτερα προσεκτικοί όταν εργάζεστε σε γωνίες, αιχμηρές άκρες κ.λπ. Αποφύγετε την αναπήδηση ή το σφίνωμα του εξαρτήματος. Οι γωνίες, οι αιχμηρές άκρες ή η αναπήδηση έχουν την τάση να σφηνώνουν το περιστρεφόμενο εξάρτημα και να προκαλούν απώλεια ελέγχου ή ανάκρουση.
- ε) Μην τοποθετείτε αλυσίδα πριονιού, λάμα, διαμαντένιο τροχό με περιφερειακό διάκενο μεγαλύτερο από 10 mm ή οδοντωτή πριονόλαμα. Τέτοιες λεπίδες οδηγούν σε ανάκρουση και απώλεια ελέγχου.
- στ) Μην "μπλοκάρετε" τον τροχό και μην ασκείτε υπερβολική πίεση. Μην επιχειρήσετε να πραγματοποιήσετε υπερβολικό βάθος κοπής. Η υπερβολική πίεση του τροχού αυξάνει τη φόρτιση και την ευαισθησία σε συστροφή ή δέσιμο του τροχού στην κοπή και την πιθανότητα ανάκρουσης ή θραύσης του τροχού.
- ζ) Όταν ο τροχός δεσμεύεται ή όταν διακόπτετε μια κοπή για οποιονδήποτε λόγο, απενεργοποιήστε το ηλεκτρικό εργαλείο και κρατήστε το ακίνητο μέχρι να σταματήσει εντελώς ο τροχός. Ποτέ μην επιχειρήσετε να αφαιρέσετε τον τροχό από την κοπή ενώ ο τροχός βρίσκεται σε κίνηση, διαφορετικά ενδέχεται να προκληθεί κλωτσιά. Διερευνήστε και λάβετε διορθωτικά μέτρα για να εξαλείψετε την αιτία που προκαλεί το δέσιμο του τροχού.
- η) Μην επανεκκινείτε τη διαδικασία κοπής στο τεμάχιο εργασίας. Αφήστε τον τροχό να φτάσει σε πλήρη ταχύτητα και εισέλθετε ξανά προσεκτικά στην κοπή. Ο τροχός μπορεί να μπλοκάρει, να σηκωθεί με τα πόδια ή να "κλωτσιάσει", εάν επανεκκινήσετε το ηλεκτρικό εργαλείο μέσα στο τεμάχιο εργασίας.
- θ) Υποστηρίξτε οποιοδήποτε υπερμεγέθους τεμάχιο εργασίας για να ελαχιστοποιήσετε τον κίνδυνο εμπλοκής του τροχού και ανάκρουσης. Τα μεγάλα τεμάχια εργασίας τείνουν να κρεμούν υπό το ίδιο τους το βάρος. Τα στηρίγματα πρέπει να τοποθετούνται κάτω από το τεμάχιο κοντά στη γραμμή κοπής και κοντά στην άκρη του τεμαχίου και στις δύο πλευρές του τροχού.
- ι) Να είστε ιδιαίτερα προσεκτικοί όταν κάνετε κοπές σε τοίχους ή άλλες τυφλές περιοχές. Ο προεξέχων τροχός μπορεί να κόψει σωλήνες αερίου ή νερού, ηλεκτρικά καλώδια ή αντικείμενα που μπορεί να προκαλέσουν ανάκρουση.

## ΠΡΟΒΛΕΠΟΜΕΝΗ ΧΡΗΣΗ

Το δισκοπρίονο μετάλλου προορίζεται ως επιτραπέζια συσκευή για την εκτέλεση ευθύγραμμων διαμήκων κοπών έως και 45° με τη χρήση δίσκων κοπής σε χάλυβα, μη σιδηρούχα μέταλλα, χυτοσίδηρο και σιδερένια προφίλ χωρίς τη χρήση νερού. Οποιαδήποτε άλλη χρήση ή τροποποίηση του μηχανήματος θεωρείται ακατάλληλη χρήση και μπορεί να οδηγήσει σε σοβαρό σωματικό τραυματισμό.

## ΠΡΟΔΙΑΓΡΑΦΕΣ

### Κύρια Μέρη (Εικόνα 2)

Τεχνικά Χαρακτηριστικά	
Μοντέλο	BCS2030
Ισχύς	2300 W
Τάση / Συχνότητα	230 V / 50 Hz
Στροφές	3800 rpm
Διάμετρος δίσκου	355 mm
Ικανότητα κοπής	Μασίφ : 50 mm Σωλήνας : 110 mm Τετράγωνο αλουμίνιο : 110*130 mm
Περιλαμβάνει	Σύστημα ομαλής εκκίνησης

1. Λαβή
2. Διακόπτης
3. Λαβή μεταφοράς
4. Κάλυμμα ψηκτρών
5. Διάταξη ασφάλισης
6. Βίδα βάθους κοπής
7. Παξιμάδι βάθους κοπής
8. Οδηγός
9. Μέγγενη
10. Βάση
11. Μανιβέλα
12. Μοχλός γρήγορης σύσφιξης
13. Δίσκος κοπής
14. Κινητή προστασία δίσκου κοπής
15. Ασφάλιση άξονα
16. Διακόπτης ασφάλισης

\* Ο κατασκευαστής διατηρεί το δικαίωμα να πραγματοποιήσει δευτερεύουσες αλλαγές στο σχεδιασμό του προϊόντος και στα τεχνικά χαρακτηριστικά χωρίς προηγούμενη ειδοποίηση, εκτός εάν οι αλλαγές αυτές επηρεάζουν σημαντικά την απόδοση και λειτουργία ασφάλειας των προϊόντων. Τα εξαρτήματα που περιγράφονται / απεικονίζονται στις σελίδες του εγχειριδίου που κρατάτε στα χέρια σας ενδέχεται να αφορούν και σε άλλα μοντέλα της σειράς προϊόντων του κατασκευαστή, με παρόμοια χαρακτηριστικά, και ενδέχεται να μην περιλαμβάνονται στο προϊόν που μόλις αποκτήσατε.

\* Για να διασφαλιστεί η ασφάλεια και η αξιοπιστία του προϊόντος καθώς και η ισχύς της εγγύησης όλες οι εργασίες επιδιόρθωσης, ελέγχου, επισκευής ή αντικατάστασης συμπεριλαμβανομένης της συντήρησης και των ειδικών ρυθμίσεων, πρέπει να εκτελούνται μόνο από τεχνικούς του εξουσιοδοτημένου τμήματος Service του κατασκευαστή.

\* Χρησιμοποιείτε πάντα το προϊόν με τον παρεχόμενο εξοπλισμό. Η λειτουργία του προϊόντος με μη-προβλεπόμενο εξοπλισμό ενδέχεται να προκαλέσει βλάβη ή ακόμα και σοβαρό τραυματισμό ή θάνατο. Ο κατασκευαστής και ο εισαγωγέας ουδεμία ευθύνη φέρει για τραυματισμούς και βλάβες που προκύπτουν από την χρήση μη προβλεπόμενου εξοπλισμού.



## ΣΥΝΑΡΜΟΛΟΓΗΣΗ



**ΠΡΟΣΟΧΗ!** Αποσυνδέστε το φικ από την παροχή ρεύματος πριν από οποιαδήποτε εργασία ρύθμισης, συναρμολόγησης ή συντήρησης.

#### Διάταξη ασφάλισης/ Λαβή μεταφοράς (Εικόνες 3 & 4)

Πιέστε απαλά προς τα κάτω τη λαβή (1) και τραβήξτε προσεκτικά τη διάταξη ασφάλισης (5). (Εικόνα 3)

Σηκώστε αργά την κεφαλή του εργαλείου.

**Σημαντικό!** Το ελατήριο επαναφοράς ανυψώνει αυτόματα την κεφαλή. Επομένως, μην αφήνετε τη λαβή μετά την κοπή, αλλά αφήστε την κεφαλή του πριονιού να ανυψωθεί αργά ασκώντας ελαφρά πίεση προς την αντίθετη πλευρά.

Κάθε φορά που θέλετε να μεταφέρετε το μηχάνημα θα πρέπει να χρησιμοποιείτε την ασφάλιση (5) για να ακινητοποιείτε την κεφαλή πριονιού στην πιο χαμηλή θέση. (Εικόνα 4)

Το πριόνι είναι εξοπλισμένο με λαβή μεταφοράς (3) για να διευκολύνεται η μεταφορά του.

#### Ρύθμιση της βίδας βάθους κοπής (Εικόνα 5)

Η κίνηση του δίσκου κοπής προς τα κάτω μπορεί να ρυθμιστεί με τη βίδα βάθους κοπής (6). Αυτό είναι απαραίτητο για την αντιστάθμιση της φθοράς του τροχού - καθώς ο δίσκος κοπής μικραίνει σε διάμετρο, δεν θα είναι σε θέση να κόψει το τεμάχιο.

Απελευθερώστε το παξιμάδι βάθους κοπής (7). Περιστρέψτε τη βίδα βάθους κοπής (6) προς τα μέσα ή προς τα έξω για να επιτύχετε το απαιτούμενο βάθος κοπής.

Χαμηλώστε την κεφαλή του πριονιού για να ελέγξετε αν ο δίσκος κοπής φτάνει στην επιφάνεια σύσφιξης της μέγγενης.

Σφίξτε ξανά το παξιμάδι βάθους κοπής (7).

#### Ρύθμιση της μέγγενης (Εικόνες 6 & 7)

Η θέση σύσφιξης της μέγγενης (9) μπορεί να ρυθμιστεί με τη ρύθμιση του οδηγού γωνίας (8).

Ξεβιδώστε τις δύο βίδες στον οδηγό γωνίας (8).

Ρυθμίστε τον οδηγό γωνίας (8) προς τα πίσω και στερεώστε τον χρησιμοποιώντας τις σπές που προβλέπονται για αυτόν. Βεβαιωθείτε ότι οι βιδωτές συνδέσεις είναι και πάλι σφιχτές.

#### Σύσφιξη του τεμαχίου εργασίας στη θέση του (Εικόνα 8)

Το τεμάχιο εργασίας σας πρέπει να στερεωθεί στη μέγγενη (9) πριν ξεκινήσετε τη διαδικασία κοπής.

Ανασηκώστε το μοχλό γρήγορης σύσφιξης (12) από τη ράβδο με σπείρωμα. Αυτός ο μοχλός σας επιτρέπει να ρυθμίσετε γρήγορα τη ράβδο, να τη στρέψετε, να την τραβήξετε προς τα έξω ή να την ωθήσετε προς τα μέσα.

Τοποθετήστε το τεμάχιο εργασίας σας ανάμεσα στις δύο επιφάνειες σύσφιξης (9 - μπροστινός σφιγκτήρας & 8 - γωνιακός οδηγός).

Μετακινήστε τον μπροστινό σφιγκτήρα (9) ακριβώς πάνω στο τεμάχιο εργασίας.

Πιέστε το μοχλό (12) πάνω στον άξονα.

Περιστρέψτε τη μανιβέλα (11) (Εικόνα 8) δεξιόστροφα μέχρι το τεμάχιο να στερεωθεί με ασφάλεια στη μέγγενη.

#### Ολοκλήρωση κοπών σε φалтσογωνιά (Εικόνες 9 & 10)

Η μέγγενη (9) μπορεί να ρυθμιστεί έτσι ώστε να μπορείτε να ολοκληρώνετε κοπές σε γωνία 45° - 0° - 45°.

Λύστε τις δύο βίδες του οδηγού γωνίας (8).

Ρυθμίστε την περιοχή σύσφιξης στη γωνία που επιθυμείτε.

Σφίξτε ξανά τις δύο βίδες.

Ο μπροστινός σφιγκτήρας (11) θα προσαρμοστεί αυτόματα στη γωνία που έχετε ορίσει.

#### Αλλαγή του δίσκου κοπής (Εικόνα 11)

Μετακινήστε την κεφαλή του δισκοπριονίου στην υψηλότερη θέση της.

Μετακινήστε τη κινητή προστασία δίσκου κοπής προς τα πάνω. Θα ανοίξει ολόκληρο το κάλυμμα του δίσκου κοπής.

Μετακινήστε το κάλυμμα της φλάντζας προς τα κάτω.

Σπρώξτε την ασφάλιση του άξονα (15) προς τα δεξιά.

Περιστρέψτε το δίσκο κοπής (13) μέχρι να εμπλακεί η ασφάλιση άξονα.

Ξεβιδώστε τη βίδα του άξονα, περιστρέφοντάς την κατά τη φορά του ρολογιού με ένα κατάλληλο γαλλικό κλειδί.

Αφαιρέστε τη βίδα άξονα, την εξωτερική φλάντζα και τη ροδέλα.

Τραβήξτε τον φθαρμένο δίσκο κοπής προς τα έξω.

Τοποθετήστε τον νέο δίσκο κοπής. Λάβετε υπόψη σας τη φορά περιστροφής του δίσκου κατά την περιστροφή.

Επανατοποθετήστε τη ροδέλα και στη συνέχεια την εξωτερική φλάντζα.

Βιδώστε ξανά τη βίδα του άξονα. (Εικόνα 11)

**Σημαντικό!** Κατά την τοποθέτηση ενός δίσκου κοπής, η βίδα άξονα πρέπει να σφίγγεται μόνο τόσο ώστε ο δίσκος να είναι ασφαλής και να μην μπορεί να περιστραφεί μόνος του. Εάν σφίξετε τη βίδα άξονα πάρα πολύ, ο δίσκος κοπής μπορεί να ξεφύγει από τη φλάντζα του δίσκου ή ο δίσκος μπορεί να σπάσει.

Σπρώξτε ξανά το κάλυμμα της φλάντζας προς τα πίσω.

Σπρώξτε ξανά το κάλυμμα του δίσκου κοπής προς τα κάτω. Όλο το κάλυμμα του δίσκου κοπής θα κλείσει.

**Σημαντικό!** Μετά την τοποθέτηση ενός νέου δίσκου κοπής, αφήστε το μηχάνημα να λειτουργήσει για περίπου ένα λεπτό πριν ξεκινήσετε οποιαδήποτε εργασία κοπής. Μην στέκεστε στην κατεύθυνση κοπής του μηχανήματος κατά τη διάρκεια αυτής της διαδικασίας! Εάν ο δίσκος έχει ένα μη ορατό σπάσιμο ή κάποιο άλλο είδος βλάβης που δεν είναι εμφανές, θα σπάσει σε λιγότερο από ένα λεπτό.

#### Εξαγωγή σκόνης

**Σημαντικό!** Δεν είναι όλες οι διατάξεις αναρρόφησης σκόνης κατάλληλες για μεταλλικά θραύσματα, καθώς αυτά μπορεί να είναι πολύ καυτά και σε ορισμένες περιπτώσεις να προκαλέσουν πυρκαγιά.

## ΛΕΙΤΟΥΡΓΙΑ

**ΣΗΜΕΙΩΣΗ:** Πριν χρησιμοποιήσετε το εργαλείο, διαβάστε προσεκτικά το εγχειρίδιο οδηγιών.

### Ενεργοποίηση/απενεργοποίηση (Εικόνα 12)

Το δισκοπρίονο είναι εξοπλισμένο με διακόπτη ασφαλείας δύο θέσεων, και μπορεί να εκκινηθεί πιέζοντας το πλευρικό κουμπί και τον διακόπτη ON/OFF. (2)  
Το δισκοπρίονο θα απενεργοποιηθεί και πάλι όταν αφηθεί ελεύθερος ο διακόπτης ON/OFF.

### Εργασία με δισκοπρίονο

Ασφαλίστε πρώτα το τεμάχιο εργασίας σας στη μέγνηνη (9).

Ενεργοποιήστε το μηχανήμα και περιμένετε μέχρι ο κινητήρας να φτάσει στη μέγιστη ταχύτητα.

Πιέστε αργά προς τα κάτω την κεφαλή του πριονιού από τη λαβή (1).

Οδηγήστε το δίσκο κοπής μέσα στο τεμάχιο εργασίας με ομοιόμορφη, σταθερή πίεση για γρήγορη κοπή.

Αποτρέψτε τον δίσκο κοπής από το να ταλαντεύεται ή να πηδάει. Αυτό θα έχει ως αποτέλεσμα κακά αποτελέσματα κοπής, πρόωρη φθορά ή ακόμη και θραύση του δίσκου κοπής.

Μην μειώνετε την ταχύτητα κοπής ακόμη και στο τέλος της διαδικασίας κοπής, καθώς το τεμάχιο μπορεί να υπερθερμανθεί και να οδηγήσει σε περιττό σχηματισμό γρεζιών

### Ταχύτητα κοπής

Αργές κοπές: Μικρότερη φθορά του δίσκου κοπής (ανάλογα με την ποιότητα του δίσκου) - το τεμάχιο μπορεί να τείνει να σχηματίζει γρέζια και να αποχρωματιστεί λόγω υπερθέρμανσης.

Γρήγορες κοπές: Μεγάλη φθορά του δίσκου κοπής (ανάλογα με την ποιότητα) - λιγότερος σχηματισμός γρεζιών και μικρότερος αποχρωματισμός του τεμαχίου, καθώς δεν θερμαίνεται τόσο πολύ.

## ΣΥΝΤΗΡΗΣΗ



**ΠΡΟΣΟΧΗ!** Αποσυνδέστε το βύσμα από την παροχή ρεύματος πριν εκτελέσετε οποιαδήποτε εργασία καθαρισμού ή συντήρησης.

Καθαρίζετε τακτικά το περίβλημα του μηχανήματος με ένα μαλακό πανί, κατά προτίμηση μετά από κάθε χρήση.

Διατηρείτε τις σχισμές εξερισμού καθαρές από σκόνη και ρύπους. Εάν η σκόνη δεν βγαίνει, χρησιμοποιήστε ένα μαλακό πανί βρεγμένο με σαπουνόνερο.

Μη χρησιμοποιείτε διαλυτικά όπως βενζίνη, οινόπνευμα, αμμωνία κ.λπ. Αυτοί οι διαλύτες μπορεί να προκαλέσουν ζημιά στα πλαστικά μέρη του εργαλείου.

Το εργαλείο δεν απαιτεί πρόσθετη λίπανση.

Σε περίπτωση άλλων βλαβών στο εργαλείο, επικοινωνήστε με ένα εξουσιοδοτημένο κέντρο σέρβις.

## ΑΠΟΡΡΙΨΗ ΣΤΟ ΠΕΡΙΒΑΛΛΟΝ

Προκειμένου να αποφευχθούν ζημιές κατά τη μεταφορά, το εργαλείο πρέπει να παραδίδεται σε στερεά συσκευασία. Η συσκευασία καθώς και η μονάδα και τα εξαρτήματα είναι κατασκευασμένα από ανακυκλώσιμα υλικά και μπορούν να απορριφθούν αναλόγως. Τα πλαστικά εξαρτήματα του εργαλείου φέρουν σήμανση ανάλογα με το υλικό τους, γεγονός που καθιστά δυνατή την απομάκρυνση φιλικών προς το περιβάλλον και διαφοροποιημένων λόγω των διαθέσιμων εγκαταστάσεων συλλογής.



### Μόνο για χώρες της Ευρωπαϊκής Ένωσης

Μην πετάτε τα ηλεκτρικά εργαλεία μαζί με τα οικιακά απορρίμματα!

Σύμφωνα με την Ευρωπαϊκή Οδηγία 2002/96/EK για τα απόβλητα ηλεκτρικού και ηλεκτρονικού εξοπλισμού και την εφαρμογή της σύμφωνα με την εθνική νομοθεσία, τα ηλεκτρικά εργαλεία που έχουν φτάσει στο τέλος της ζωής τους πρέπει να συλλέγονται χωριστά και να επιστρέφονται σε μια περιβαλλοντικά συμβατή εγκατάσταση ανακύκλωσης.

## СИМВОЛИ



Внимателно прочетете ръководството за експлоатация.



**ПРЕДУПРЕЖДЕНИЕ!** Инструкции или символи, чието неспазване може да доведе до повреда и/или нараняване.



Издърпайте незабавно щепсела от електрическата мрежа, ако захранващият кабел е повреден, заплетен или прекъснат. Винаги изваждайте щепсела от електрическата мрежа, преди да работите по устройството.



Подходящ за метал.



Не използвайте за странично шлифване.



Не използвайте за мокро смилане.



Не използвайте дефектни дискове.



Носете защита на слуха!



Носете маска за прах!



Носете защитни ръкавици!



Носете предпазни очила!



Носете предпазни обувки!



Този електроинструмент отговаря на клас на защита II и е оборудван с подсилена или двойна изолация.



Този електроинструмент не трябва да се изхвърля заедно с битовите отпадъци. Спазвайте инструкциите за изхвърляне в това ръководство.

## ПРЕДПАЗНИ МЕРКИ ЗА БЕЗОПАСНОСТ



Когато използвате каквото и да е оборудване, трябва да се вземат определени мерки за безопасност, за да се избегне нараняване и/или повреда. Моля, прочетете внимателно това ръководство, преди да използвате инструмента. Съхранявайте това ръководство за експлоатация за бъдещи справки. В случай че този инструмент бъде взет назаем, прехвърлен или преместен, уверете се, че ръководството за експлоатация остава с него. Производителят не поема отговорност за повреди или злополуки, причинени от неспазване на тези инструкции за безопасност.

**ВНИМАНИЕ:** Прочетете всички правила и инструкции за безопасност. Неспазването на всички мерки за безопасност може да доведе до токов удар, пожар и/или сериозно нараняване.

Терминът "електроинструмент", използван в това ръководство, се отнася до електроинструменти, захранвани с електричество (със захранващ кабел), и електроинструменти, захранвани с батерии (без захранващ).

### Безопасност на работното място

- Поддържайте работното си място чисто и добре осветено. Неподредените или зле осветени работни места могат да доведат до злополуки.
- Не използвайте електроинструмента в среда, в която съществува риск от експлозия и в която има запалими течности, газове или прах. Електроинструментите произвеждат искри, които могат да възпламенят прах или пари.
- Не допускате странични лица, деца или животни в работната си зона. Ако има отклоняване на вниманието, може да загубите контрол над уреда.

### Електрическа безопасност

- Щепселът от електроинструмента трябва да бъде включен в правилно заземен инсталиран контакт. Никога не модифицирайте щепсела по какъвто и да е начин. Никога не използвайте адаптерни щепсели със заземени електрически инструменти. Непроменените щепсели и правилните контакти намаляват риска от токов удар.
- Избягвайте контакт на тялото със заземени повърхности като хладилници, тръби и радиатори, когато използвате електроинструменти. Това ще намали вероятността от поражение от електрически ток.
- Не излагайте електроинструментите на дъжд или на мокри условия. Мокрите инструменти увеличават вероятността от токов удар.
- Не злоупотребявайте с кабела. Никога не използвайте кабела за пренасяне, дърпане или изключване на електрическия инструмент. Повредените или заплетени кабели увеличават риска от токов удар.
- Пазете захранващите кабели от топлина, вода, масло, остри ръбове и движещи се части. Те могат да повредят изолацията и да причинят токов удар.
- Ако работите на открито с електрически инструмент, използвайте само удължителни кабели, които са проектирани и маркирани специално за тази цел.
- Ако работата на електрическия инструмент във влажна среда не може да бъде избегната, използвайте прекъсвач за земни утечки (ELCB), за да намалите риска от токов удар.

### Лична безопасност

- Бъдете бдителни, наблюдавайте движенията си и използвайте електрическия инструмент внимателно. Не използвайте инструмента, ако сте уморени или сте под въздействието на лекарства, алкохол или други вещества. Момент на невнимание при използването на електроинструмента може да доведе до сериозни наранявания.
- Използването на лични предпазни средства (като противопрахови маски, нехлъзгащи се предпазни обувки, предпазна каска или тапи за уши в зависимост от вида и начина на използване на електроинструмента) намалява риска от нараняване. Винаги носете предпазни очила.
- Уверете се, че инструментът не може да се стартира случайно. Уверете се, че електроинструментът е изключен, преди да го свържете към електрическата мрежа и/или да поставите батерията, или когато го вдигате или пренасяте. Включването на уреда, когато той е включен, или преместването на електроинструмента с пръст върху превключвателя за захранването може да доведе до случайно стартиране на инструмента и до злополуки.
- Изваждайте ключовете и гаечните ключове, преди да включите електрическия инструмент. Влизането на инструмент или ключ в контакт с въртящите се части на инструмента може да доведе до повреда или нараняване.
- Не се надигайте над главата си. Поддържайте правилна стойка и равновесие през цялото време. Това дава възможност за по-добър контрол на електроинструмента в неочаквани ситуации.
- Носете подходящо работно облекло. Дръжте косата, дрехите и ръкавиците далеч от движещите се части. Не носете свободни дрехи или бижута. Свободното облекло, бижутата или дългата коса могат да се заклеят в движещите се части.
- Ако на инструмента могат да се монтират вакуумни и дренажни устройства, уверете се, че те са правилно свързани и се използват. Използването на система за изсмукване на прах може да се намалат опасностите, свързани с праха.

### Безопасност при работа с електроинструменти

- а) Не претоварвайте инструмента. Използвайте правилния инструмент за всяка задача. Ще можете да работите по-добре и по-безопасно в рамките на определените параметри на работа.
- б) Не използвайте електроинструмент с повреден превключвател на захранването. Електроинструмент, който не може да се включва или изключва, е опасен и трябва да се ремонтира.
- в) Изключете инструмента от електрическата мрежа и/или извадете батерията, преди да извършвате каквито и да било настройки на инструмента, да смените приставки или да приберете инструмента или да го съхранявате. Тази мярка за безопасност предотвратява непреднамереното стартиране на електроинструмента.
- г) Съхранявайте електроинструмента на място, недостъпно за деца и необучени потребители. Само хора, които са прочели и разбрали напълно всички инструкции за безопасност, могат да използват електроинструмента. Електроинструментите могат да бъдат опасни, ако се използват от неопитни потребители.
- д) Почиствайте внимателно електроинструмента си. Проверете дали движещите се части работят правилно и не се задръстват, както и дали няма счупени или повредени части до такава степен, че да се повлияе на работата на електроинструмента. Преди да използвате инструмента, се обърнете към оторизиран сервизен център за евентуални необходими ремонти. Недобре поддържаните електроинструменти могат да причинят сериозни повреди или увреждания.
- е) Поддържайте всички режещи инструменти остри и чисти. Внимателно поддържаните режещи инструменти с остри режещи ръбове е по-малко вероятно да се заклещат и са по-лесни за управление.
- ж) Използвайте електроинструментите, аксесоарите, приставките и т.н. в съответствие с тези инструкции. Вземете предвид условията на работното място и изпълняваната задача. Използването на електроинструменти за цели, различни от тези, за които са предназначени, може да доведе до опасни ситуации.

### Сервизно обслужване

Възлагайте ремонта на електроинструмента само на обучен персонал, като използвате само автентични резервни части. Това ще гарантира, че вашият електроинструмент е винаги безопасен за използване.

### Допълнителни инструкции за безопасност за трион за рязане на метал

- а) Предоставеният с инструмента предпазител трябва да бъде здраво прикрепен към електроинструмента и да бъде разположен за максимална безопасност, така че най-малкото количество колело да бъде изложено към оператора. Позиционирайте себе си и страничните лица далеч от равнината на въртящото се колело. Предпазителят помага за предпазване на оператора от счупени фрагменти на колелото и случаен контакт с него.
- б) Използвайте само подсилени режещи колела за вашия електроинструмент. Това, че към вашия електроинструмент може да бъде прикрепен аксесоар, не гарантира безопасна работа.
- в) Номиналната скорост на аксесоара трябва да е поне равна на максималната скорост, отбелязана върху електроинструмента. Аксесоари, работещи с по-висока от номиналната си скорост, могат да се счупят и разлетят.
- г) Колелата трябва да се използват само за препоръчаните приложения. Например: не шлайфайте със страничната част на отрезния диск. Абразивните отрезни дискове са предназначени за периферно шлифоване, страничните сили, приложени върху тези дискове, могат да доведат до тяхното счупване.
- д) Винаги използвайте неповредени фланци, които са с правилния диаметър за избрания от вас диск. Правилните фланци на колелата поддържат колелото, като по този начин намаляват възможността за счупване на колелото.
- е) Не използвайте износени подсилени колела от по-големи електрически инструменти. Колелата, предназначени за по-голям електроинструмент, не са подходящи за по-високата скорост на по-малък инструмент и могат да се счупят.
- ж) Външният диаметър и дебелината на аксесоара ви трябва да са в рамките на номиналния капацитет на вашия електроинструмент. Аксесоарите с неправилен размер не могат да бъдат адекватно защитени или контролирани.
- з) Размерът на шпиндела на колелата и фланците трябва да съответства правилно на шпиндела на електроинструмента. Колела и фланци с отвори за арбори, които не съответстват на монтажния хардуер на електроинструмента, ще излязат от равновесие, ще вибрират прекомерно и могат да причинят загуба на контрол.
- и) Не използвайте повредени колела. Преди всяка употреба проверявайте колелата за стружки и пукнатини. Ако електроинструментът или колелото бъдат изпуснати, проверете за повреди или монтирайте неповредено колело. След като проверите и монтирате колелото, разположете себе си и страничните лица далеч от равнината на въртящото се колело и пуснете електроинструмента на максимална скорост без натоварване за една минута. Повредените колела обикновено се разпадат по време на този тест.
- й) Носете лични предпазни средства. В зависимост от приложението, използвайте предпазен щит за лице, предпазни очила или предпазни очила. Ако е подходящо, носете маска против прах, предпазни средства за слуха, ръкавици и престилка за работилницата, която може да спира малки абразивни или обработвани частици. Защитата на очите трябва да може да спира летящи отломки, генерирани при различни операции. Прахозащитната маска или респираторът трябва да могат да филтрират частиците, генерирани от вашата операция. Продължителното излагане на шум с висок интензитет може да доведе до загуба на слуха.
- к) Дръжте страничните лица на безопасно разстояние от работната зона. Всеки, който влиза в работната зона, трябва да носи лични предпазни средства. Фрагменти от обработвания детайл или от счупено колело могат да отлетят и да причинят наранявания извън непосредствената зона на работа.
- л) Дръжте електроинструмента само за изолираните повърхности на захващане, когато извършвате операция, при която режещият аксесоар може да се допре до скрити проводници или до собствения си кабел. Контактът на режещия аксесоар с проводник "под напрежение" може да направи откритите метални части на електроинструмента "под напрежение" и да причини на оператора токов удар.
- м) Разположете кабела на разстояние от въртящия се аксесоар. Ако изгубите контрол, кабелът може да бъде прерязан или закачен и ръката или ръката ви да бъдат завлечени във въртящото се колело.
- н) Никога не поставяйте електроинструмента, докато аксесоарът не спре напълно. Въртящото се колело може да захване повърхността и да издърпа електроинструмента извън контрола ви.
- о) Не пускайте електроинструмента, докато го носите настрана. Случаен контакт с въртящия се аксесоар може да закачи дрехите ви и да издърпа аксесоара в тялото ви.
- р) Редовно почиствайте въздушните отвори на електроинструмента. Вентилаторът на двигателя ще засмуква праха вътре в корпуса и прекомерното натрупване на прахообразен метал може да доведе до електрически опасности.
- р) Не работете с електроинструмента в близост до запалими материали. Искрите могат да възпламенят тези материали.
- р) Не използвайте аксесоари, които изискват течни охлаждащи течности. Използването на вода или други течни охлаждащи течности може да доведе до токов удар или поражение от електрически ток.

Откатът е резултат от неправилна употреба на електроинструмента и/или неправилни работни процедури или условия и може да бъде избегнат чрез предприемане на подходящи предпазни мерки, както е посочено по-долу.

- а) Поддържайте здрав захват на електроинструмента и позиционирайте тялото и ръката си така, че да можете да устоите на силите на отката. Винаги използвайте спомагателната ръкохватка, ако е предвидена, за максимален контрол върху обратния удар или реакцията на въртящия момент по време на пускане. Операторът може да контролира реакциите на въртящия момент или силите на откат, ако се вземат подходящи предпазни мерки.
- б) Никога не поставяйте ръката си в близост до въртящия се аксесоар. Откатът ще задвижи аксесоара към ръката ви.
- в) Не поставяйте тялото си на една линия с въртящото се колело. Откатът ще задвижи инструмента в посока, обратна на движението на колелото в точката на захващане.
- г) Използвайте специално внимание при работа с ъгли, остри ръбове и др. Избягвайте отскачането и закачането на аксесоара. Ъглите, острите ръбове или отскачането са склонни да закачат въртящия се аксесоар и да предизвикат загуба на контрол или откат.
- д) Не прикрепвайте верига за рязане, нож за дърворезба, сегментиран диамантен диск с периферна междина, по-голяма от 10 mm, или зъбен диск за рязане. Такива остриета предизвикват чести отскоци и загуба на контрол.
- е) Не "задръствайте" колелото и не прилагайте прекомерен натиск. Не се опитвайте да направите прекомерна дълбочина на рязане. Прекомерното натоварване на колелото увеличава натоварването и податливостта на усукване или свързване на колелото в разреза и възможността за откат или счупване на колелото.
- ж) При обвързване на колелото или при прекъсване на рязането по някаква причина изключете електроинструмента и го дръжте неподвижен, докато колелото спре напълно. Никога не се опитвайте да изваждате колелото от разреза, докато колелото е в движение, в противен случай може да се получи откат. Прочетете и предприемете коригиращи действия, за да отстраните причината за обвързването на колелото.
- з) Не стартирайте отново операцията по рязане в обработвания детайл. Оставете колелото да достигне пълна скорост и внимателно се върнете в разреза. Колелото може да се обвърже, да тръгне нагоре или да отскочи, ако електроинструментът се стартира отново в обработвания детайл.
- и) Подкрепяйте панелите или всеки детайл с по-големи размери, за да сведете до минимум риска от притискане и откат на колелото. Големите детайли са склонни да провисват под собственото си тегло. Подпорите трябва да се поставят под детайла в близост до линията на рязане и в близост до ръба на детайла от двете страни на колелото.
- й) Използвайте повишено внимание, когато правите разрез в съществуващи стени или други слепи зони. Изпъкналото колело може да пререже газове или водни тръби, електрически кабели или предмети които могат да предизвикат обратен удар.

## ПРЕДНАЗНАЧЕНА ПОЛЗА

Отрезният трион за метал е предназначен за монтиране на пода като уред за извършване на прави надлъжни разрези под ъгъл до 45° с помощта на режещи дискове в стомана, цветни метали, чугун и железни профили без използване на вода. Всякакви други употреби или модификации на машината се считат за неправилна употреба и могат да доведат до сериозни физически наранявания.

## СПЕЦИФИКАЦИИ

### Основни части (Изображение 2)

Технически данни	
Модел	BCS2030
Захранване	2300 W
Напрежение / честота	230 V / 50 Hz
Скорост без натоварване	3800 об/мин
Диаметър на диска	355 mm
Производителност при рязане	Твърда : 50 mm Куха : 110 mm Квадратен алуминий: 110*130 mm
Характеристики	Система за плавен старт

1. Дръжка
2. Спусък за превключване
3. Дръжка за носене
4. Въглероден капак на четката
5. Блокиране
6. Винт за дълбочина на рязане
7. Гайка за дълбочина на рязане
8. Ограда
9. Заместник
10. Базова плоча
11. Дръжка на манivelата
12. Лост за бързо затягане
13. Режещ диск
14. Подвижен предпазител
15. Заклучване на шпиндела
16. Предпазно копче за превключване

\* Производителят си запазва правото да прави незначителни промени в дизайна и техническите спецификации на продуктите без предварително уведомление, освен ако тези промени не засягат значително работата и безопасността на продуктите. Частите, описани/илюстрирани на страниците на ръководството, което държите в ръцете си, може да се отнасят и за други модели от продуктова линия на производителя с подобни характеристики и може да не са включени в току-що придобития от вас продукт.

\* За да се гарантира безопасността и надеждността на продукта, както и валидността на гаранцията, всички дейности по ремонт, проверка, поправка или замяна, включително поддръжка и специални настройки, трябва да се извършват само от техници от оторизирания сервизен отдел на производителя.

\* Винаги използвайте продукта с доставеното оборудване. Работата на продукта с неосигурено оборудване може да доведе до неизправности или дори до сериозни наранявания или смърт. Производителят и вносителят не носят отговорност за наранявания и щети, възникнали в резултат на използването на несъответстващо на изискванията оборудване.



## СГЛОБЯВАНЕ



**ВНИМАНИЕ!** Изключете щепсела от електрическата мрежа преди всяка настройка, монтаж или поддръжка.

### Дръжка за блокиране/пренасяне (изображения 3 и 4)

Натиснете леко надолу дръжката (1) и внимателно издърпайте блокировката (5). (Изображение 3)

Бавно повдигнете главата на триона.

Важно! Пружината за нулиране повдига главата на триона автоматично. Затова не пускайте дръжката след рязане, а позволете на главата на триона да се повдигне бавно, като упражнявате лек насрещен натиск върху дръжката.

Винаги, когато искате да транспортирате машината, трябва да използвате блокировката (5), за да закрепите главата на триона в спуснато положение. (Изображение 4)

Трионът е оборудван с дръжка за носене (3), за да се улесни транспортирането му.

### Регулиране на винта за дълбочина на рязане (Изображение 5)

Движението на режещия диск надолу може да се регулира с помощта на винта за дълбочина на рязане (6). Това е необходимо, за да се компенсира износването на диска - тъй като диаметърът на режещия диск става по-малък, той не би могъл да реже точно през обработвания детайл.

Освободете гайката за дълбочината на рязане (7) Завъртете винта за дълбочината на рязане (6) навътре или навън, както е необходимо.

Спуснете главата на триона, за да проверите дали режещият диск достига до притискащата повърхност на тила.

Затегнете отново гайката за дълбочина на рязане (7).

### Настройване на тила (изображения 6 и 7)

Монтажът на тиквата (9) може да се разшири чрез регулиране на ъгловия водач (8). Отвийте двата винта на ъгловия водач (8).

Регулирайте ъгловия водач (8) назад и го закрепете с помощта на предвидените за него отвори. Уверете се, че винтовите съединения са отново здраво затегнати.

### Затегнете обработвания детайл в скобата (Изображение 8)

Вашият детайл трябва да бъде закрепен в скобата (9), преди да започнете процеса на рязане.

Повдигнете лоста за бързо притискане (12) от резбовата шина. Този лост ви позволява бързо да регулирате резбовата шина, да я завъртите, да я издърпате или да я вкарате.

Поставете обработвания детайл между двете зони на затягане (9 предна скоба и 8 ъглов водач).

Преместете предната стяга (9) точно срещу обработвания детайл.

Пуснете лоста за бързо затягане (12) върху шината с резба.

Завъртете манivelата на тиквата (11) (Изображение 8) по посока на часовниковата стрелка, докато детайлът бъде здраво фиксиран в тиквата.

### Завършване на наклонени срезове (изображения 9 и 10)

Тиквеникът (9) може да се регулира така, че да завършвате скосени срезове под ъгъл от 45° - 0° - 45°.

Развийте двата винта на ъгловия водач (8).

Регулирайте зоната на затягане до необходимия ъгъл.

Затегнете отново двата винта.

Предната стяга (11) автоматично ще се настрои към зададения от вас ъгъл.

### Смяна на режещия диск (изображение 11)

Преместете главата на триона в най-високата ѝ позиция.

Преместете предния предпазител за рязане нагоре. Целият капак на режещия диск ще се отвори.

Преместете капака на фланеца надолу.

Избутайте блокировката на шпиндела (15) надясно.

Завъртете режещия диск (13), докато блокировката на шпиндела се застопори.

Отвийте винта на вала, като го завъртите срещу часовниковата стрелка с подходящ гаечен ключ.

Отстранете винта на вала, външния фланец и шайбата.

Издърпайте износения режещ диск напред.

Поставете новия режещ диск. Обърнете внимание на посоката на въртене на диска по време на работа.

Поставете отново шайбата и след това външния фланец.

Завийте отново винта на вала. (Изображение 11)

Важно! Когато монтирате режещ диск, винтът на вала трябва да се затегне само до толкова, че дискът да е сигурен и да не може да се върти сам. Ако затегнете винта на вала прекалено много, режещият диск може да изскочи от фланеца или дискът да се счупи.

Избутайте отново капака на фланеца назад.

Отново натиснете предния капак на режещия диск надолу. Целият капак на режещия диск ще се затвори.

След монтиране на нов режещ диск оставете машината да работи приблизително една минута, преди да започнете работа по рязане. По време на този процес не заставайте в посоката на рязане на машината!

Ако дискът има невидимо счупване или някакъв друг вид повреда, която не е очевидна, той ще се спука за по-малко от една минута.

### Извличане на прах

Важно! Не всички прахосмукачки са подходящи за метални стружки, тъй като те могат да бъдат много горещи и при определени обстоятелства могат да предизвикат пожар.

## ОПЕРАЦИЯ

**ЗАБЕЛЕЖКА:** Преди да използвате инструмента, прочетете внимателно ръководството с инструкции.

### Включване/изключване (Изображение 12)

Отрезният трион е оборудван с предпазен превключвател с две действия, който може да се стартира чрез натискане на страничното копче и превключвателя за включване/изключване. (2)

Отрязаният трион ще се изключи отново, когато превключвателят ON/OFF се освободи.

### Работа с отрезния трион

Първо застопорете обработвания детайл в тиквата (9).

Включете машината и изчакайте, докато двигателят достигне максималната си скорост.

Бавно натиснете надолу главата на триона върху дръжката (1).

Прокарайте режещия диск през обработвания детайл с равномерен, силен натиск за бързо рязане.

Не допускайте режещият диск да се колебае или да прескача. Това ще доведе до лоши резултати при рязане, преждевременно износване или дори счупване на режещия диск.

Не намалявайте скоростта на рязане дори и в края на процеса на рязане, тъй като детайлът може да се прегрее и да доведе до ненужно образуване на нагар.

### Скорост на рязане

Бавни разрези: По-малко износване на режещия диск (в зависимост от качеството на режещия диск); обработваният детайл може да има склонност към образуване на задири и да се обезцвети поради прегряване.

Бързо рязане: Голямо износване на режещия диск (в зависимост от качеството на режещия диск); по-малко образуване на заушка и по-малко обезцветяване на детайла, тъй като той не се нагрива толкова.

## ПОДДЪРЖАНЕ



**ВНИМАНИЕ!** Изключете щепсела от електрическата мрежа, преди да извършвате каквото и да е почистване или поддръжка.

Редовно почиствайте корпуса на машината с мека кърпа, за предпочитане след всяка употреба.

Поддържайте вентилационните отвори свободни от прах и замърсявания. Ако мръсотията не се отстрани, използвайте мека кърпа, навлажнена със сапунена вода.

Никога не използвайте разтворители като бензин, алкохол, амонячна вода и др. Тези разтворители могат да повредят пластмасовите части на инструмента.

Машината не се нуждае от допълнително смазване.

В случай на други повреди по инструмента се обърнете към оторизиран сервизен център.

## ЕКОЛОГИЧНО ОБЕЗВРЕЖДАНЕ

За да се избегнат повреди при транспортиране, инструментът трябва да се достави в здрава опаковка. Опаковката, както и устройството и аксесоарите, са изработени от рециклируеми материали и могат да бъдат изхвърлени по съответния начин. Пластмасовите компоненти на инструмента са маркирани според материала, от който са изработени, което прави възможно отстраняването на екологични и диференцирани поради наличните съоръжения за събиране.



### Само за страни от ЕС

Не изхвърляйте електрически инструменти заедно с битови отпадъци!

В съответствие с Европейската директива 2002/96/ЕО относно отпадъците от електрическо и електронно оборудване и нейното прилагане в съответствие с националното законодателство, електрическите инструменти, чийто живот е изтекъл, трябва да се събират отделно и да се връщат в екологично съвместимо съоръжение за рециклиране.

## SIMBOLI



Pozorno preberite navodila za uporabo.



OPOZORILO! Navodila ali simboli, ki lahko ob neupoštevanju povzročijo poškodbe in/ali poškodbe.



Če je omrežni kabel poškodovan, zapleten ali pretrgan, ga takoj izvlecite iz vtičnice. Pred delom na napravi vedno izvlecite omrežni vtič.



Primerno za kovine.



Ne uporabljajte za stransko brušenje.



Ne uporabljajte za mokro mletje.



Ne uporabljajte okvarjenih krožnikov.



Nosite zaščito sluha!



Nosite masko proti prahu!



Nosite zaščitne rokavice!



Nosite zaščitna očala!



Nosite varnostne čevlje!



To električno orodje ustreza zaščitnemu razredu II in je opremljeno z ojačano ali dvojno izolacijo.



Tega električnega orodja ne smete odvreči med gospodinske odpadke. Upoštevajte navodila za odstranjevanje v tem priročniku.

## VARNOSTNI UKREPI



Pri uporabi katere koli opreme je treba upoštevati določene varnostne ukrepe, da se izognete poškodbam in/ali poškodbam. Pred uporabo orodja natančno preberite ta priročnik. Ta priročnik za uporabo shranite za kasnejšo uporabo. V primeru, da si orodje izposodite, prenesete ali premaknete, poskrbite, da priročnik za uporabo ostane z njim. Proizvajalec ne prevzema nobene odgovornosti za poškodbe ali nesreče, ki nastanejo zaradi neupoštevanja teh varnostnih navodil.

**POZOR: Preberite vse varnostne predpise in navodila. Neupoštevanje vseh varnostnih ukrepov lahko povzroči električni udar, požar in/ali hude telesne poškodbe.**

Izraz "električno orodje", uporabljen v tem priročniku, se nanaša na električno orodje, ki ga poganja elektrika (z napajalnim kablom), in električno orodje, ki ga poganjajo baterije (brez napajalnega brez kabla).

### Varnost na delovnem mestu

- Delovno mesto naj bo čisto in dobro osvetljeno. Neurejena ali slabo osvetljena delovna mesta lahko povzročijo nesreče.
- Električnega orodja ne uporabljajte v okolju, kjer obstaja nevarnost eksplozije in kjer so vnetljive tekočine, plini ali prah. Električna orodja proizvajajo iskre, ki lahko vžgejo prah ali hlape.
- V delovno območje ne spuščajte mimoidočih oseb, otrok ali živali. Če pride do odvratanja pozornosti, lahko izgubite nadzor nad napravo.

### Električna varnost

- Vtič električnega orodja mora biti priključen v ustrezno ozemljeno vtičnico. Nikoli ne spreminjajte vtiča na kakršen koli način. Nikoli ne uporabljajte adapterskih vtičev z ozemljenimi električnimi orodji. Nespremenjeni vtiči in pravilne vtičnice zmanjšujejo nevarnost električnega udara.
- Pri uporabi električnega orodja se izogibajte telesnemu stiku z ozemljenimi površinami, kot so hladilniki, cevi in radiatorji. S tem boste zmanjšali verjetnost električnega udara.
- Električnih orodij ne izpostavljajte dežju ali mokrim razmeram. Mokra orodja poveča verjetnost električnega udara.
- Ne zlorablajte kabla. Nikoli ne uporabljajte kabla za prenašanje, vlečenje ali odklop električnega orodja. Poškodovani ali zapleteni kabli povečujejo nevarnost električnega udara.
- Napajalne kable hranite stran od vročine, vode, olja, ostrih robov in gibljivih delov. Ti lahko poškodujejo izolacijo in povzročijo električni udar.
- Če z električnim orodjem delate na prostem, uporabljajte samo podaljške, ki so zasnovani in označeni posebej za ta namen.
- Če se delovanju električnega orodja v vlažnem okolju ni mogoče izogniti, uporabite odklopnik električnega tokokroga (ELCB), da zmanjšate nevarnost električnega udara.

### Osebna varnost

- Bodite pozorni, pazite na svoje gibe in električno orodje uporabljajte previdno. Orodja ne uporabljajte, če ste utrujeni ali pod vplivom zdravil, alkohola ali drugih snovi. Trenutek malomarnosti pri uporabi električnega orodja lahko povzroči hude poškodbe.
- Uporaba osebne zaščitne opreme (kot so maske proti prahu, nedrseči varnostni čevlji, zaščitna čelada ali čepki za ušesa, odvisno od vrste in uporabe električnega orodja) zmanjša tveganje za poškodbe. Vedno uporabljajte zaščitna očala.
- Prepričajte se, da se orodje ne more nenamerno zagnati. Prepričajte se, da je električno orodje izklopljeno, preden ga priključite na električno omrežje in/ali vstavite baterijo ali ko ga vzamete v roke ali prenašate. Če priključite napravo, ko je vklopljena, ali premikate električno orodje s prstom na stikalu za napajanje, se lahko orodje nenamerno zažene in pride do nesreče.
- Pred vklopom električnega orodja odstranite ključe in ključavnice. Orodje ali ključ, ki pride v stik z vrtečimi se deli orodja, lahko povzroči poškodbe ali poškodbe.
- Ne segajte preveč v roke. Ves čas ohranjajte pravilno stojišče in ravnotežje. To omogoča boljši nadzor nad električnim orodjem v nepričakovanih situacijah.
- Nosite primerna delovna oblačila. Lasje, oblačila in rokavice naj ne bodo v bližini gibljivih delov. Ne nosite ohlapnih oblačil ali nakita. Ohlapna oblačila, nakit ali dolgi lasje se lahko ujamejo v gibljive dele.
- Če je na orodje mogoče namestiti naprave za sesanje in odvajanje vode, poskrbite, da so pravilno priključene in uporabljene. Uporaba sistema za odsesavanje prahu lahko zmanjšati nevarnosti, povezane s prahom.

### Varnost električnega orodja

- a) Orodja ne obremenjujte preveč. Za vsako nalogo uporabite pravo orodje. Tako boste lahko delali bolje in varneje v okviru določenih parametrov zmogljivosti.
- b) Ne uporabljajte električnega orodja z okvarjenim stikalom za napajanje. Električno orodje, ki ga ni mogoče vklopiti ali izklopiti, je nevarno in ga je treba popraviti.
- c) Preden opravite kakršne koli nastavitve na orodju, zamenjate nastavke ali orodje odložite ali shranite, odklopite omrežni kabel in/ali odstranite baterijo. Ta varnostni ukrep preprečuje nenameren zagon električnega orodja.
- d) Električno orodje hranite zunaj dosega otrok in neusposobljenih uporabnikov. Električno orodje lahko uporabljajo le osebe, ki so prebrale in v celoti razumele vsa varnostna navodila. Električno orodje je lahko nevarno, če ga uporabljajo neizkušeni uporabniki.
- e) Električno orodje skrbno čistite. Preverite, ali giblivi deli pravilno delujejo in se ne zataknejo ter ali ni noben del zlomljen ali poškodovan do te mere, da bi to vplivalo na delovanje električnega orodja. Za morebitna potrebna popravila se pred uporabo orodja obrnite na pooblaščen servisni center. Slabo vzdrževano električno orodje lahko povzroči resne poškodbe ali škodo.
- f) Vsa rezalna orodja naj bodo ostra in čista. Skrbno vzdrževana rezalna orodja z ostrimi rezalnimi robovi se redkeje zataknejo in jih je lažje nadzorovati.
- g) Električno orodje, dodatno opremo, priključke itd. uporabljajte v skladu s temi navodili. Pri tem upoštevajte razmere na delovnem mestu in opravljeno nalogo. Uporaba električnih orodij za druge namene, kot so predvideni, lahko privede do nevarnih situacij.

### Servis

Električno orodje dajte popraviti le usposobljenemu osebu, ki uporablja le originalne nadomestne dele. Tako boste zagotovili, da bo vaše električno orodje vedno varno za uporabo.

### Dodatna varnostna navodila za odrezovalno žago za kovino

- a) Varovalo, ki je priloženo orodju, mora biti varno pritrjeno na električno orodje in nameščeno tako, da je čim manj kolesa izpostavljenega proti upravljavcu. Sami sebe in druge osebe postavite stran od ravnine vrtečega se kolesa. Varovalo pomaga zaščititi upravljavca pred odlomki kolesa in naključnim stikom s kolesom.
- b) Za svoje električno orodje uporabljajte samo ojačana rezalna kolesa. Samo zato, ker je na vaše električno orodje mogoče pritrditi dodatno opremo, to še ne zagotavlja varnega delovanja.
- c) Nazivna hitrost dodatne opreme mora biti vsaj enaka največji hitrosti, označeni na električnem orodju. Pribor, ki deluje hitreje od svoje nazivne hitrosti, se lahko zlomi in razleti.
- d) Kolesa se smejo uporabljati samo za priporočene namene uporabe. Na primer: ne brusite s stranico rezalnega kolesa. Abrazivna odrezovalna kolesa so namenjena za obodno brušenje, stranske sile, ki delujejo na ta kolesa, lahko povzročijo njihovo razbitje.
- e) Vedno uporabljajte nepoškodovane prirobnice koles, ki imajo pravilen premer za izbrano kolo. Pravilne prirobnice kolesa podpirajo kolo in s tem zmanjšujejo možnost zloma kolesa.
- f) Ne uporabljajte obrabljenih ojačanih koles iz večjih električnih orodij. Kolesa, namenjena večjemu električnemu orodju, niso primerna za večjo hitrost manjšega orodja in se lahko zlomijo.
- g) Zunanji premer in debelina dodatka morata biti v okviru nazivne zmogljivosti vašega električnega orodja. Dodatkov nepravilne velikosti ni mogoče ustrezno zaščititi ali nadzorovati.
- h) Velikost trna koles in prirobnic se mora pravilno prilegati vretenu električnega orodja. Kolesa in prirobnice z luknjami za arbor, ki se ne ujemajo s pritrtilno opremo električnega orodja, se ne bodo uravnovesile, prekomerno vibrirale in lahko povzročijo izgubo nadzora.
- i) Ne uporabljajte poškodovanih koles. Pred vsako uporabo preverite kolesa, ali na njih ni odkruškov in razpok. Če električno orodje ali kolo pade, preverite poškodbe ali namestite nepoškodovano kolo. Po pregledu in namestitvi kolesa sebe in druge osebe postavite stran od ravnine vrtečega se kolesa in za eno minuto zaženite električno orodje pri največji hitrosti brez obremenitve. Poškodovana kolesa se v tem preskusnem času običajno razletijo.
- j) Nosite osebno zaščitno opremo. Odvisno od načina uporabe uporabite ščitnik za obraz, zaščitna očala ali zaščitna stekla. Po potrebi nosite masko proti prahu, zaščito za sluh, rokavice in delavniški predpasnik, ki lahko zadrži majhne drobce abraziva ali obdelovanca. Zaščita oči mora biti sposobna zaustaviti leteče delce, ki nastanejo pri različnih postopkih. Maska proti prahu ali respirator morata biti sposobna filtrirati delce, ki nastanejo pri vašem delu. Dolgotrajna izpostavljenost hrupu visoke jakosti lahko povzroči izgubo sluha.
- k) Okoliške osebe naj bodo na varni razdalji od delovnega območja. Vsakdo, ki vstopi na delovno območje, mora nositi osebno zaščitno opremo. Odlomki obdelovanca ali zlomljenega kolesa lahko odletijo in povzročijo poškodbe zunaj neposrednega območja delovanja.
- l) Električno orodje držite samo za izolirane prijemalne površine, kadar izvajate postopek, pri katerem se lahko rezalni pribor dotakne skrite napeljave ali lastnega kabla. Če se rezalni pribor dotakne žice pod napetostjo, lahko izpostavljeni kovinski deli električnega orodja postanejo "pod napetostjo" in lahko povzročijo električni udar upravljavca.
- m) Kord postavite tako, da je odmaknjen od vrteče se dodatne opreme. Če izgubite nadzor, se lahko kabel prereže ali zatakne, vašo roko ali roko pa lahko potegne v vrteče se kolo.
- n) Električnega orodja nikoli ne odložite, dokler se pripomoček popolnoma ne ustavi. Vrteče se kolo lahko zagrabi površino in potegne električno orodje izven vašega nadzora.
- o) Ne poganjajte električnega orodja, ko ga nosite ob sebi. Naključni stik z vrtečim se pripomočkom se lahko zatakne za vaša oblačila in potegne pripomoček v vaše telo.
- p) Redno čistite zračne odprtine električnega orodja. Ventilator motorja vleče prah v notranjost ohišja, prekomerno kopičenje kovinskega prahu pa lahko povzroči električne nevarnosti.
- q) Električnega orodja ne uporabljajte v bližini vnetljivih materialov. Iskre lahko te materiale vžgejo.
- r) Ne uporabljajte pribora, za katerega je potrebno tekoče hladilno sredstvo. Uporaba vode ali drugih tekočih hladilnih sredstev lahko povzroči električni udar ali šok.

### Povratni udarec

Povratni udarec je nenadna reakcija na stisnjeno ali zataknjeno vrteče se kolo. Stiskanje ali zatikanje povzroči hiter zastoj vrtečega se kolesa, kar povzroči, da se nenadzorovano električno orodje prisili v nasprotno smer od vrtenja kolesa na mestu zatikanja. Če se na primer abrazivno kolo zatakne ali stisne ob obdelovanec, se lahko rob kolesa, ki vstopa v točko stiska, zarine v površino materiala, kar povzroči, da se kolo izlušči ali odrine. Kolo lahko skoči proti upravljavcu ali stran od njega, odvisno od smeri gibanja kolesa v točki stiska. V teh pogojih se lahko abrazivna kolesa tudi zlomijo.

Povratni udarec je posledica napačne uporabe električnega orodja in/ali nepravilnih delovnih postopkov ali pogojev in se mu lahko izognete z ustreznimi previdnostnimi ukrepi, ki so navedeni v nadaljevanju.

- a) Ohranite trden oprijem električnega orodja ter postavite telo in roko tako, da se lahko uprete silam povratnega udarca. Vedno uporabite pomožni ročaj, če je na voljo, za največji nadzor nad povratnim udarcem ali reakcijo navora med zagonom. Upravljevec lahko nadzoruje reakcije navora ali sile povratnega udarca, če izvaja ustrezne previdnostne ukrepe.
- b) Nikoli ne postavljajte roke v bližino vrtečega se pripomočka. Povratni udarec bo pripomoček pognal proti vaši roki.
- c) Svojega telesa ne postavljajte v linijo z vrtečim se kolesom. Povratni udarec bo pognal orodje v smeri, ki je nasprotna gibanju kolesa na mestu zatikanja.
- d) Posebno previdnost uporabljajte pri obdelavi vogalov, ostrih robov itd. Izogibajte se odbijanju in zatikanju pribora. Vogali, ostri robovi ali odbijanje so nagnjeni k zatikanju vrtečega se pribora in povzročajo izgubo nadzora ali povratni udarec.
- e) Ne pritrjujte žagine verige, rezila za rezanje lesa, segmentnega diamantnega krožnika s periferno vrzeljo, večjo od 10 mm, ali zobatega žaginega lista. Takšna rezila povzročajo pogost povratni udarec in izgubo nadzora.
- f) Kolesa ne "zataknite" in ne izvajajte pretiranega pritiska. Ne poskušajte narediti prevelike globine reza. Prevelik pritisk na kolo poveča obremenitev in dovzetnost za zvijanje ali vezavo kolesa v rezu ter možnost povratnega udarca ali zloma kolesa.
- g) Kadar se kolo zavezuje ali kadar iz kakršnega koli razloga prekinete rez, izklopite električno orodje in ga držite negibno, dokler se kolo popolnoma ne ustavi. Nikoli ne poskušajte odstraniti kolesa iz reza, ko je kolo v gibanju, sicer lahko pride do povratnega udarca. Raziščite in izvedite korektivne ukrepe za odpravo vzroka vezave kolesa.
- h) Ne začnite ponovno izvajati postopka rezanja v obdelovancu. Počakajte, da kolo doseže polno hitrost, in previdno ponovno vstopite v rez. Če električno orodje ponovno zaženete v obdelovancu, se lahko kolo zaveže, se podre ali pride do povratnega udarca.
- i) Podprite plošče ali kakršen koli prevelik obdelovanec, da zmanjšate nevarnost zatikanja kolesa in povratnega udarca. Veliki obdelovanci se pod svojo lastno težo ponavadi povešajo. Podpori morata biti nameščeni pod obdelovancem v bližini linije reza in ob robu obdelovanca na obeh straneh kolesa.
- j) Pri rezanju v obstoječe stene ali druga slepa območja bodite še posebej previdni. Izstopajoče kolo lahko prereže plinske ali vodovodne cevi, električno napeljavo ali predmete ki lahko povzročijo povratni udarec.

## NAMENSKA UPORABA

Rezalna žaga za kovino je namenjena kot talna naprava za izvajanje ravnih vzdolžnih rezov pod kotom do 45° z rezalnimi ploščami v jeklo, barvne kovine, litino in železne profile brez uporabe vode. Kakršna koli drugačna uporaba ali spremembe naprave se štejejo za nepravilno uporabo in lahko povzročijo hude telesne poškodbe.

## SPECIFIKACIJE

### Glavni deli (slika 2)

Tehnični podatki	
Model	BCS2030
Napajanje	2300 W
Napetost / frekvenca	230 V / 50 Hz
Hitrost brez obremenitve	3800 vrtljajev na minuto
Premer diska	355 mm
Učinkovitost rezanja	Trdna: 50 mm votla: 110 mm Kvadratni aluminij: 110 * 130 mm
Značilnosti	Sistem blagega zagona

1. Ročaj
2. Sprožilec stikala
3. Ročaj za prenašanje
4. Pokrov ogljikovih ščetk
5. Blokada
6. Vijak za globino rezanja
7. Matica za globino rezanja
8. Ograja
9. Podpredsednik
10. Osnovna plošča
11. Ročaj za ročico
12. Ročica za hitro vpenjanje
13. Rezalni disk
14. Premično varovalo
15. Blokada vretena
16. Varnostni gumb stikala

\* Proizvajalec si pridržuje pravico do manjših sprememb zasnove in tehničnih specifikacij izdelka brez predhodnega obvestila, razen če te spremembe bistveno vplivajo na delovanje in varnost izdelkov. Deli, opisani/prikazani na straneh priročnika, ki ga držite v rokah, se lahko nanašajo tudi na druge modele proizvajalčeve linije izdelkov s podobnimi lastnostmi in morda niso vključeni v izdelek, ki ste ga pravkar pridobili.

\* Da bi zagotovili varnost in zanesljivost izdelka ter veljavnost garancije, lahko vsa popravila, preglede, popravila ali zamenjave, vključno z vzdrževanjem in posebnimi nastavitvami, opravljajo le tehnički pooblaščenega servisnega oddelka proizvajalca.

\* Izdelek vedno uporabljajte s priloženo opremo. Uporaba izdelka z opremo, ki ni priložena, lahko povzroči motnje v delovanju ali celo hude telesne poškodbe ali smrt. Proizvajalec in uvoznik nista odgovorna za poškodbe in škodo, ki so posledica uporabe neustrezne opreme.





**POZOR!** Pred vsakim nastavljanjem, sestavljanjem ali vzdrževanjem izključite vtič iz električnega omrežja.

#### Ročaj za blokado/nosenje (sliki 3 in 4)

Nežno pritisnite na ročaj (1) in previdno izvlecite blokado (5). (Slika 3) Počasi dvignite glavo žage.

Pomembno! Vzmet za ponastavitev samodejno dvigne glavo žage. Zato po rezanju ne izpustite ročaja, temveč z rahlim nasprotnim pritiskom na ročaj omogočite, da se glava žage počasi dvigne.

Kadar koli želite stroj prepeljati, uporabite blokado (5), da zasidrate glavo žage v njenem spuščnem položaju. (Slika 4) Žaga je opremljena z ročajem za prenašanje (3), ki omogoča lažji transport.

#### Nastavitev vijaka za globino rezanja (Slika 5)

Z vijakom za globino rezanja (6) lahko nastavite gibanje rezalnega diska navzdol. To je potrebno zaradi izravnave obrabe kolesa - ko bi bil premer rezalnega diska manjši, ne bi mogel rezati naravnost skozi obdelovanec.

Sprostite matico za globino rezanja (7) Vijak za globino rezanja (6) zavrtite navznoter ali navzven po potrebi.

Spustite glavo žage in preverite, ali rezalni disk doseže vpenjalno površino držala.

Ponovno zategnite matico za globino rezanja (7).

#### Nastavitev držala (sliki 6 in 7)

Pritrditev za držalo (9) lahko povečate z nastavitvijo kotnega vodila (8). Odvijte dva vijaka na kotnem vodilu (8).

Nastavite kotno vodilo (8) nazaj in ga pritrдите z luknjama, ki sta zanj predvideni. Prepričajte se, da so vijaki spoji ponovno tesni.

#### Obdelovanec vpnite v primež (slika 8)

Preden začnete z rezanjem, mora biti obdelovanec pritrjen v primežu (9).

Dvignite ročico za hitro vpenjanje (12) z navojne palice. Ta vzvod vam omogoča hitro nastavitev navojne palice, da jo obrnete, izvlečete ali potisnete navznoter.

Postavite obdelovanec med obe vpenjalni območji (9 sprednja spona in 8 kotno vodilo).

Sprednje vpenjalno mesto (9) premaknite naravnost proti obdelovancu.

Ročico za hitro vpenjanje (12) spustite na navojno palico.

Zavrtite ročico držala (11) (slika 8) v smeri urinega kazalca, dokler obdelovanec ni trdno pritrjen v držalu.

#### Zaključevanje poševnih rezov (sliki 9 in 10)

Stikalo (9) lahko nastavite tako, da lahko dokončate poševne reze pod koti 45° - 0° - 45°.

Odvijte dva vijaka na kotnem vodilu (8).

Nastavite območje vpenjanja na želeni kot.

Ponovno zategnite oba vijaka.

Sprednje vpenjalno ogrodje (11) se bo samodejno prilagodilo nastavljenemu kotu.

#### Menjava rezalnega krožnika (slika 11)

Glavo žage premaknite v najvišji položaj.

Sprednje varovalo žage premaknite navzgor. Celoten pokrov rezalnega diska se bo odprl.

Premaknite pokrov prirobnice navzdol.

Potisnite blokado vretena (15) v desno.

Obračajte rezalno ploščo (13), dokler se zaklep vretena ne zaskoči.

Odvijte vijak gredi tako, da ga z ustreznim vijaknim ključem zavrtite proti smeri urinega kazalca.

Odstranite vijak gredi, zunanjo prirobnico in podložko.

Obrabljeni rezalni disk izvlecite naprej.

Namestite nov rezalni kolut. Pri tem upoštevajte smer vrtenja na krožniku.

Ponovno namestite podložko in nato zunanjo prirobnico.

Ponovno privijte vijak gredi. (Slika 11)

Pomembno! Pri nameščanju rezalnega diska je treba vijak gredi zategniti le toliko, da je disk zavarovan in se ne more sam vrteti. Če vijak gredi preveč zategnete, lahko rezalni disk skoči s prirobnice ali pa se disk zlomi.

Pokrov prirobnice ponovno potisnite nazaj.

Spet potisnite sprednji pokrov rezalnega diska navzdol. Celoten pokrov rezalnega diska se bo zaprl.

Pomembno! Po namestitvi novega rezalnega diska pustite stroj delovati približno eno minuto, preden začnete z rezanjem. Med tem postopkom ne stojte v smeri rezanja stroja!

Če ima disk neviden zlom ali kakšno drugo vrsto poškodbe, ki ni očitna, bo počil v manj kot eni minuti.

#### Odvzem prahu

Pomembno! Vsi sesalniki za prah niso primerni za kovinske trske, saj so ti lahko zelo vroči in v določenih okoliščinah lahko povzročijo požar.

## OPERACIJA

**OPOMBA:** Pred uporabo orodja natančno preberite navodila za uporabo.

### Vklop/izklop (Slika 12)

Odrezovalna žaga je opremljena z dvostranskim varnostnim stikalom, ki ga lahko zaženete s pritiskom na stranski gumb in stikalo za vklop/izklop. (2)  
Odrezovalna žaga se ponovno izklopi, ko sprostite stikalo ON/OFF.

### Delo z odrezovalno žago

Najprej pritrdite obdelovanec v primež (9).

Vključite stroj in počakajte, da motor doseže največjo hitrost. Počasi pritisnite glavo žage na ročaj (1).

Za hiter rez vodite rezalni disk skozi obdelovanec z enakomernim in močnim pritiskom.

Preprečite, da bi rezalni disk nihal ali preskakoval. To bo povzročilo slabe rezultate rezanja, prezgodnjo obrabo ali celo lomljenje rezalne plošče. Hitrosti rezanja ne zmanjšujte niti ob koncu rezanja, saj se lahko obdelovanec pregreje, kar lahko povzroči nepotrebno nastajanje ostružkov.

### Hitrost rezanja

Počasni rezi: Manjša obraba rezalne plošče (odvisno od kakovosti rezalne plošče); obdelovanec lahko zaradi pregrevanja tvori ostružke in se razbarva. Hitri kosi: Visoka obraba rezalne plošče (odvisno od kakovosti rezalne plošče); manj nastajanja ostružkov in manj razbarvanja na obdelovancu, saj je ne postane tako vroča.

## VZDRŽEVANJE



**POZOR!** Pred vsakim čiščenjem ali vzdrževanjem izključite vtič iz električnega omrežja.

Ohišje stroja redno čistite z mehko krpo, najbolje po vsaki uporabi.

Prezračevalne reže naj bodo brez prahu in umazanije. Če se umazanija ne odstrani, uporabite mehko krpo, navlaženo z milnico.

Nikoli ne uporabljajte topil, kot so bencin, alkohol, amoniakalna voda itd. Ta topila lahko poškodujejo plastične dele orodja.

Stroj ne potrebuje dodatnega mazanja.

V primeru drugih poškodb orodja se obrnite na pooblaščen servisni center.

## OKOLJSKO ODSTRANJEVANJE

Da bi se izognili poškodbam pri prevozu, mora biti orodje dobavljeno v trdni embalaži. Embalaža ter enota in dodatki so izdelani iz materialov, ki jih je mogoče reciklirati, in jih je mogoče ustrezno odstraniti. Plastični sestavni deli orodja so označeni glede na njihov material, kar omogoča odstranjevanje okolju prijaznih in diferenciranih zaradi razpoložljivih zbiralnic.



### Samo za države EU

Električnega orodja ne odlagajte skupaj z gospodinjskimi odpadki!

V skladu z Evropsko direktivo 2002/96/ES o odpadni električni in elektronski opre in njenim izvajanjem v skladu z nacionalno zakonodajo je treba električna orodja, ki jim je potekla življenjska doba, zbirati ločeno in jih oddati v okolju prijazno reciklažno napravo.

## SIMBOLURI



Citiți cu atenție manualul de utilizare.



AVERTISMENT! Instrucțiuni sau simboluri care, dacă nu sunt respectate, pot avea ca rezultat daune și/sau vătămări corporale.



Scoateți imediat ștecherul de la rețea, dacă cablul de alimentare este deteriorat, încărcat sau rupt. Scoateți întotdeauna ștecherul de la rețea înainte de a lucra la aparat.



Potrivit pentru metal.



Nu se utilizează pentru șlefuirea laterală.



Nu se utilizează pentru măcinarea umedă.



Nu folosiți produse defecte discuri.



Purtați protecție auditivă!



Purtați o mască de praf!



Purtați mănuși de protecție!



Purtați ochelari de protecție!



Purtați pantofi de siguranță!



Această unealtă electrică corespunde clasei de protecție II, este echipată cu izolație armată sau dublă.



Această unealtă electrică nu trebuie să fie eliminată împreună cu deșeurile menajere. Respectați instrucțiunile de eliminare din acest manual.

## MĂSURI DE SIGURANȚĂ



Atunci când utilizați orice echipament, trebuie luate anumite măsuri de siguranță pentru a evita rănirea și/sau deteriorarea. Vă rugăm să citiți cu atenție acest manual înainte de a utiliza unealta. Păstrați acest manual de utilizare pentru consultări ulterioare. În cazul în care această unealtă este împrumutată, transferată sau mutată, asigurați-vă că manualul de instrucțiuni rămâne cu ea. Producătorul nu își asumă nicio răspundere pentru daune sau accidente cauzate de nerespectarea acestor instrucțiuni de siguranță.

**ATENȚIE:** Citiți toate reglementările și instrucțiunile de siguranță. Nerespectarea tuturor măsurilor de siguranță poate duce la șocuri electrice, incendii și/sau vătămări grave.

Termenul "unealtă electrică" utilizat în acest manual se referă la uneltele electrice alimentate cu energie electrică (cu un cablu de alimentare) și la uneltele electrice alimentate cu baterii (fără un cablu de alimentare).

**Siguranța la locul de muncă**

- Păstrați locul de muncă curat și bine iluminat. Locurile de muncă neîngrijite sau slab iluminate pot duce la accidente.
- Nu utilizați scula electrică într-un mediu în care există riscul de explozie și în care există lichide, gaze sau praf inflamabile. Uneltele electrice produc scânteii care pot aprinde praful sau vaporii.
- Nu permiteți accesul trecătorilor, copiilor sau animalelor în zona dumneavoastră de lucru. În cazul în care există o distragere a atenției, puteți pierde controlul asupra aparatului.

**Siguranța electrică**

- Ștecherul de la sursa electrică trebuie să fie conectat la o priză instalată cu împământare corespunzătoare. Nu modificați niciodată fișa în niciun fel. Nu utilizați niciodată fișe adaptoare cu uneltele electrice cu împământare. Ștecherile nealterate și prizele corecte reduc riscul de electrocutare.
- Evitați contactul corpului cu suprafețele împământate, cum ar fi frigiderul, țevile și radiatoarele, atunci când folosiți uneltele electrice. Acest lucru va reduce probabilitatea de șoc.
- Nu expuneți uneltele electrice la ploaie sau în condiții de umezeală. Uneltele umede cresc probabilitatea de șoc electric.
- Nu abuzați de cablu. Nu folosiți niciodată cablul pentru a transporta, trage sau scoate din priză scula electrică. Cablurile deteriorate sau încălțite cresc riscul unui șoc electric.
- Păstrați cablurile electrice departe de căldură, apă, ulei, margini ascuțite și piese în mișcare. Acestea pot deteriora izolația și pot provoca un șoc.
- Dacă lucrați în aer liber cu o unealtă electrică, utilizați numai cabluri prelungitoare proiectate și marcate special în acest scop.
- Dacă nu poate fi evitată funcționarea sculei electrice într-un mediu umed, utilizați un întrerupător de circuit de scurgere la pământ (ELCB) pentru a reduce riscul unui șoc electric.

**Siguranța personală**

- Fiiți vigilenți, urmăriți-vă mișcările și utilizați scula electrică cu atenție. Nu utilizați scula dacă sunteți obosit sau sub influența medicamentelor, a alcoolului sau a altor substanțe. Un moment de neglijență în timpul utilizării sculei electrice poate duce la răniri grave.
- Utilizarea echipamentului individual de protecție (cum ar fi măștile de praf, pantofii de siguranță antiderapanți, casca de protecție sau dopurile de urechi, în funcție de tipul și utilizarea sculei electrice) reduce riscul de rănire. Purtați întotdeauna ochelari de protecție.
- Asigurați-vă că unealta nu poate porni accidental. Asigurați-vă că scula electrică este oprită înainte de a o conecta la sursa de alimentare și/sau de a introduce bateria, sau atunci când o ridicați sau o transportați. Conectarea aparatului când este pornit sau deplasarea sculei electrice cu degetul pe întrerupătorul de alimentare poate porni accidental scula și poate duce la accidente.
- Scoateți cheile și cheile înainte de a porni scula electrică. O sculă sau o cheie care intră în contact cu părțile rotative ale sculei poate duce la deteriorări sau răniri.
- Nu vă întindeți prea mult. Păstrați în permanență o poziție corectă a picioarelor și echilibrul. Acest lucru permite un control mai bun al sculei electrice în situații neprevăzute.
- Purtați haine de lucru adecvate. Țineți părul, hainele și mănușile la distanță de piesele în mișcare. Nu purtați haine largi sau bijuterii. Hainele largi, bijuteriile sau părul lung se pot prinde în piesele în mișcare.
- Dacă pe sculă pot fi montate dispozitive de aspirare și drenaj, asigurați-vă că acestea sunt conectate și utilizate corect. Utilizarea unui sistem de aspirare a prafului poate reduce pericolele legate de praf.

### Siguranța sculelor electrice

- a) Nu suprasolicitați scula. Utilizați unealta potrivită pentru fiecare sarcină. Veți putea lucra mai bine și mai sigur în limitele parametrilor de performanță specificați.
- b) Nu utilizați o unealtă electrică cu un întrerupător de alimentare defect. O unealtă electrică care nu poate fi pornită sau oprită este periculoasă și trebuie reparată.
- c) Deconectați scula și/sau scoateți bateria înainte de a face orice reglaje la sculă, de a schimba accesoriile sau de a pune scula jos sau în depozit. Această măsură de siguranță previne pornirea neintenționată a sculei electrice.
- d) Păstrați scula electrică în afara razei de acțiune a copiilor și a utilizatorilor neinstruiți. Numai persoanele care au citit și au înțeles complet toate instrucțiunile de siguranță pot utiliza scula electrică. Unelele electrice pot fi periculoase dacă sunt utilizate de utilizatori neexperimentați.
- e) Curățați scula electrică cu atenție. Verificați dacă piesele mobile funcționează corect și nu se blochează și dacă nu există piese rupte sau deteriorate într-o asemenea măsură încât să afecteze funcționarea sculei electrice. Contactați un centru de service autorizat pentru orice reparații necesare înainte de a utiliza scula. Unelele electrice neîntreținute corespunzător pot provoca daune sau vătămări grave.
- f) Păstrați toate uneltele de tăiere ascuțite și curate. Unelele de tăiere întreținute cu grijă și cu muchii de tăiere ascuțite sunt mai puțin susceptibile de a se bloca și sunt mai ușor de controlat.
- g) Folosiți sculele electrice, accesoriile, accesoriile atașate etc. în conformitate cu aceste instrucțiuni. Țineți cont de condițiile de la locul de muncă și de sarcina pe care o aveți de îndeplinit. Utilizarea sculelor electrice în orice alt scop decât cel pentru care sunt destinate poate duce la situații periculoase.

### Service

Solicitați repararea sculei electrice numai de către personal calificat, folosind numai piese de schimb autentice. Acest lucru vă va asigura că scula electrică este întotdeauna sigură pentru utilizare.

### Instrucțiuni suplimentare de siguranță pentru ferăstrăul de tăiat metale

- a) Apărătoarea furnizată împreună cu unealta trebuie să fie bine fixată pe scula electrică și poziționată pentru o siguranță maximă, astfel încât să fie expusă spre operator cea mai mică cantitate de roată. Poziționați-vă și poziționați-vă pe dumneavoastră și pe cei din jur departe de planul roții rotative. Apărătoarea ajută la protejerea operatorului împotriva fragmentelor de roată sparte și a contactului accidental cu roata.
- b) Folosiți numai roți de debitat ranforsate pentru scula dumneavoastră electrică. Doar pentru că un accesoriu poate fi atașat la scula dvs. electrică, acesta nu asigură o funcționare sigură.
- c) Viteza nominală a accesoriului trebuie să fie cel puțin egală cu viteza maximă marcată pe scula electrică. Accesoriile care funcționează mai repede decât viteza lor nominală se pot rupe și zbura în bucăți.
- d) Roțile trebuie utilizate numai pentru aplicațiile recomandate. De exemplu: nu șlefuiți cu partea laterală a discului de debitat. Discurile abrazive de debitat sunt destinate rectificării periferice, forțele laterale aplicate acestor discuri pot duce la spargerea lor.
- e) Folosiți întotdeauna flanșe de roți nedeteriorate, cu diametrul corect pentru roata selectată. Flanșele de roată corespunzătoare susțin roata, reducând astfel posibilitatea ruperii roții.
- f) Nu folosiți roți întărite și uzate de la scule electrice mai mari. Roțile destinate unei scule electrice mai mari nu sunt adecvate pentru viteza mai mare a unei scule mai mici și se pot rupe.
- g) Diametrul exterior și grosimea accesoriului dvs. trebuie să se încadreze în capacitatea nominală a sculei electrice. Accesoriile de dimensiuni necorespunzătoare nu pot fi protejate sau controlate în mod adecvat.
- h) Dimensiunea arborelui roților și a flanșelor trebuie să se potrivească în mod corespunzător cu axul sculei electrice. Roțile și flanșele cu orificii ale axului care nu se potrivesc cu feroneria de montare a sculei electrice se vor dezzechilibra, vor vibra excesiv și pot cauza pierderea controlului.
- i) Nu utilizați roți deteriorate. Înainte de fiecare utilizare, inspectați roțile pentru a vedea dacă nu prezintă așchii sau fisuri. Dacă scula electrică sau roata sunt scăpate, inspectați-le pentru a vedea dacă sunt deteriorate sau instalați o roată nedeteriorată. După ce inspectați și instalați roata, poziționați-vă pe dumneavoastră și pe cei din jur departe de planul roții rotative și puneți scula electrică în funcțiune la turația maximă fără sarcină timp de un minut. Roțile deteriorate se vor rupe în mod normal în timpul acestui timp de testare.
- j) Purtați echipament de protecție personală. În funcție de aplicație, folosiți o mască de protecție pentru față, ochelari de protecție sau ochelari de protecție. După caz, purtați o mască de praf, protecții auditive, mănuși și un șorț de atelier capabil să oprească fragmentele mici de abraziv sau de piesă de prelucrat. Protecția ochilor trebuie să fie capabilă să oprească resturile zburătoare generate de diverse operațiuni. Măscă de praf sau aparatul de protecție respiratorie trebuie să fie capabil să filtreze particulele generate de operațiunea dumneavoastră. Expunerea prelungită la zgomote de intensitate ridicată poate provoca pierderea auzului.
- k) Păstrați spectatori la o distanță de siguranță față de zona de lucru. Orice persoană care intră în zona de lucru trebuie să poarte echipament de protecție personală. Fragmentele piesei de prelucrat sau ale unei roți sparte pot zbura și pot provoca răniri dincolo de zona imediată de operare.
- l) Țineți scula electrică numai de suprafețele de prindere izolate, atunci când efectuați o operațiune în care accesoriul de tăiere poate intra în contact cu cabluri ascunse sau cu propriul cablu. Accesoriul de tăiere care intră în contact cu un fir "sub tensiune" poate face ca părțile metalice expuse ale sculei electrice să fie "sub tensiune" și ar putea provoca un șoc electric operatorului.
- m) Poziționați cablul la distanță de accesoriul de învârtit. Dacă pierdeți controlul, cablul poate fi tăiat sau agățat, iar mâna sau brațul dumneavoastră poate fi tras în roata de filare.
- n) Nu așezați niciodată scula electrică până când accesoriul nu s-a oprit complet. Roata de rotire poate prinde suprafața și scoate scula electrică de sub controlul dumneavoastră.
- o) Nu puneți în funcțiune scula electrică în timp ce o purtați lângă dumneavoastră. Contactul accidental cu accesoriul care se învâрте ar putea să vă agațe hainele, trăgând accesoriul în corpul dumneavoastră.
- p) Curățați în mod regulat gurile de aerisire ale sculei electrice. Ventilatorul motorului va aspira praful din interiorul carcasei, iar acumularea excesivă de praf metallic poate provoca pericole electrice.
- q) Nu folosiți scula electrică în apropierea materialelor inflamabile. Scânteile ar putea aprinde aceste materiale.
- r) Nu utilizați accesoriile care necesită lichide de răcire. Utilizarea apei sau a altor lichide de răcire poate duce la electrocutare sau șocuri.

### Recul

Recul este o reacție bruscă la o roată rotativă prinsă sau agățată. Strângerea sau agățarea provoacă blocarea rapidă a roții rotative, ceea ce, la rândul său, face ca unealta electrică necontrolată să fie forțată în direcția opusă rotației roții în punctul de prindere. De exemplu, dacă o roată abrazivă este agățată sau ciupită de piesa de prelucrat, marginea roții care intră în punctul de ciupire poate săpa în suprafața materialului, ceea ce face ca roata să iasă în afară sau să lovească. Roata poate sări fie spre operator, fie să se îndepărteze de acesta, în funcție de direcția de mișcare a roții în punctul de ciupire. În aceste condiții, roțile abrazive se pot, de asemenea, rupe.

Repercusiunile sunt rezultatul unei utilizări necorespunzătoare a sculei electrice și/sau al unor proceduri sau condiții de funcționare incorecte și pot fi evitate prin luarea măsurilor de precauție adecvate, după cum se arată mai jos.

- a) Mențineți o prindere fermă a sculei electrice și poziționați-vă corpul și brațul pentru a vă permite să rezistați forțelor de recul. Folosiți întotdeauna mânerul auxiliar, dacă este prevăzut, pentru un control maxim asupra reculului sau a reacției de torsione în timpul pornirii. Operatorul poate controla reacțiile de cuplu sau forțele de recul, dacă sunt luate măsurile de precauție corespunzătoare.
- b) Nu puneți niciodată mâna în apropierea accesoriului rotativ. Recul va propulsa accesoriul spre mâna dumneavoastră.
- c) Nu vă poziționați corpul în linie cu roata rotativă. Recul va propulsa accesoriul în direcția opusă mișcării roții în punctul de agățare.
- d) Aveți grijă deosebită atunci când lucrați colțuri, muchii ascuțite etc. Evitați sărirea și agățarea accesoriului. Colțurile, marginile ascuțite sau săriturile au tendința de a agăța accesoriul rotativ și de a provoca pierderea controlului sau reculul.
- e) Nu atașați un lanț de ferăstrău, un disc de sculptură în lemn, un disc diamantat segmentat cu un spațiu periferic mai mare de 10 mm sau un disc de ferăstrău dințat. Astfel de lame creează frecvent reculuri și pierderi de control.
- f) Nu "blocați" roata și nu aplicați o presiune excesivă. Nu încercați să faceți o adâncime excesivă a tăieturii. Suprasolicitarea roții crește sarcina și susceptibilitatea la răsucirea sau blocarea roții în tăiere și posibilitatea de recul sau de rupere a roții.
- g) Când roata se blochează sau când întrerupeți o tăiere din orice motiv, opriți scula electrică și mențineți-o nemișcată până când roata se oprește complet. Nu încercați niciodată să scoateți roata din tăietură în timp ce roata este în mișcare, în caz contrar se poate produce un recul. Investigați și luați măsuri corective pentru a elimina cauza blocării roții.
- h) Nu reporniți operația de tăiere în piesa de prelucrat. Lăsați roata să atingă viteza maximă și reintrați cu grijă în tăiere. Roata poate să se blocheze, să meargă în sus sau să se producă un recul dacă scula electrică este repornită în piesa de lucru.
- i) Susțineți panourile sau orice piesă de prelucrat supradimensionată pentru a minimiza riscul de ciupire și recul al roții. Piese de prelucrat mari au tendința de a se încovoia sub propria greutate. Suporturile trebuie să fie plasate sub piesa de prelucrat în apropierea liniei de tăiere și în apropierea marginii piesei de prelucrat pe ambele părți ale roții.
- j) Aveți grijă sporită atunci când efectuați o tăiere în pereți existenți sau în alte zone oarbe. Roata proeminentă poate tăia conductele de gaz sau de apă, cablurile electrice sau obiectele care pot provoca recul.

## UTILIZARE INTENȚIONATĂ

Ferăstrăul de debitat metale este destinat ca aparat montat pe podea pentru efectuarea de tăieturi longitudinale drepte până la 45° cu ajutorul discurilor de tăiere în oțel, metale neferoase, fontă și profile de fier, fără utilizarea apei. Orice alte utilizări sau modificări ale aparatului sunt considerate utilizare necorespunzătoare și pot avea ca rezultat vătămări corporale grave.

## SPECIFICAȚII

Date tehnice	
Model	BCS2030
Putere	2300 W
Tensiune / Frecvență	230 V / 50 Hz
Viteza fără sarcină	3800 rpm
Diametrul discului	355 mm
Performanță de tăiere	Solid : 50mm Hollow : 110mm Aluminiu pătrat: 110 * 130 mm
Caracteristici	Sistem de pornire ușoară

## Părți principale (Imagine 2)

1. Mâner
2. Declanșator de comutare
3. Mâner de transport
4. Capacul periei de carbon
5. Interblocare
6. Șurub de adâncime de tăiere
7. Piuliță de adâncime de tăiere
8. Gardul
9. Menghină
10. Placă de bază
11. Manivelă de menghină
12. Pârghie de prindere rapidă
13. Disc de tăiere
14. Protecție mobilă
15. Blocare axă
16. Comutator buton de siguranță

\* Producătorul își rezervă dreptul de a aduce modificări minore la designul și specificațiile tehnice ale produsului fără notificare prealabilă, cu excepția cazului în care aceste modificări afectează în mod semnificativ performanța și siguranța produselor. Piese descrise / ilustrate în paginile manualului pe care îl țineți în mâini pot viza și alte modele din linia de produse ale producătorului cu caracteristici similare și pot să nu fie incluse în produsul pe care tocmai l-ați achiziționat.

\* Pentru a asigura siguranța și fiabilitatea produsului, precum și valabilitatea garanției, toate lucrările de reparații, inspecții, reparații sau înlocuiri, inclusiv întreținerea și reglajele speciale, trebuie efectuate numai de către tehnicienii ai departamentului de service autorizat al producătorului.

\* Utilizați întotdeauna produsul cu echipamentul furnizat. Funcționarea produsului cu echipamente care nu sunt furnizate poate cauza defecțiuni sau chiar vătămări grave sau chiar moartea. Producătorul și importatorul nu sunt răspunzători pentru vătămările și daunele rezultate din utilizarea unui echipament neconform.



## ASAMBLARE



**ATENȚIE!** Deconectați fișa de la rețeaua electrică înainte de orice operațiune de reglare, asamblare sau întreținere.

### Mâner de interblocare/ Mâner de transport (imaginile 3 și 4)

Împingeți ușor în jos pe mâner (1) și scoateți cu grijă dispozitivul de blocare (5). (Imaginea 3)

Ridicați încet capul ferăstrăului.

**Important!** Arcul de resetare ridică automat capul ferăstrăului. Prin urmare, nu dați drumul mânerului după tăiere, ci permiteți capului ferăstrăului să se ridice încet, aplicând o ușoară contrapresiune pe mâner.

Ori de câte ori doriți să transportați utilajul, trebuie să folosiți dispozitivul de blocare (5) pentru a ancora capul de ferăstrău în poziția coborâtă. (Imaginea 4).

Ferăstrăul este echipat cu un mâner de transport (3) pentru a facilita transportul.

### Reglarea șurubului de reglare a adâncimii de tăiere (Imaginea 5)

Mișcarea descendentă a discului de tăiere poate fi reglată cu ajutorul șurubului de adâncime de tăiere (6). Acest lucru este necesar pentru a compensa uzura roții - pe măsură ce discul de tăiere devine mai mic în diametru, acesta nu ar mai putea tăia direct prin piesa de lucru.

Eliberați piulița de adâncime de tăiere (7). Rotiți șurubul de adâncime de tăiere (6) înăuntru sau în afară, după cum este necesar.

Coborâți capul ferăstrăului pentru a verifica dacă discul de tăiere ajunge la fața de prindere a menghinei.

Strângeți din nou piulița de adâncime de tăiere (7).

### Setarea menghinei (Imaginile 6 și 7)

Suportul pentru menghină (9) poate fi mărit prin reglarea ghidajului unghiular (8). Deșurubați cele două șuruburi de pe ghidajul unghiular (8).

Reglați ghidajul unghiular (8) spre spate și fixați-l cu ajutorul găurilor prevăzute pentru acesta. Asigurați-vă că legăturile cu șuruburi sunt din nou strânse.

### Prindeți piesa de prelucrat în menghină. (Imaginea 8)

Piesa de lucru trebuie să fie fixată în menghină (9) înainte de a începe procesul de tăiere.

Ridicați maneta de prindere rapidă (12) de pe bara filetată. Această pârghie vă permite să reglați rapid bara filetată, să o rotiți, să o scoateți sau să o împingeți înăuntru.

Așezați piesa de prelucrat între cele două zone de prindere (9 clemă frontală și 8 ghidaj unghiular).

Deplasați clema frontală (9) chiar pe piesa de lucru.

Aruncați pârghia de prindere rapidă (12) pe bara filetată.

Rotiți manivela menghinei (11) (Imaginea 8) în sensul acelor de ceasornic până când piesa de prelucrat este fixată bine în menghină.

### Finalizarea tăierilor în unghiuri (Imaginile 9 și 10)

Menghina (9) poate fi reglată astfel încât să puteți efectua tăieturi în unghiuri de 45° - 0° - 45°.

Desfaceți cele două șuruburi de pe ghidajul unghiular (8).

Reglați zona de prindere la unghiul dorit.

Strângeți din nou cele două șuruburi.

Clema frontală (11) se va ajusta automat la unghiul pe care l-ați setat.

### Schimbarea discului de tăiere (Imaginea 11)

Mutați capul ferăstrăului în poziția cea mai înaltă.

Deplasați în sus apărătoarea frontală a ferăstrăului. Întregul capac al discului de tăiere se va deschide.

Deplasați capacul flanșei în jos.

Împingeți dispozitivul de blocare a axului (15) spre dreapta.

Întoarceți discul de tăiere (13) până când se blochează blocajul fusului.

Deșurubați șurubul arborelui, rotindu-l în sens anti-cronometru cu ajutorul unei chei potrivite.

Îndepărtați șurubul arborelui, flanșa externă și șaiba.

Trageți discul de tăiere uzat în afară, spre înainte.

Montați noul disc de tăiere. Observați direcția de rotație a discului în timp ce faceți acest lucru.

Montați din nou șaiba și apoi flanșa externă.

Înșurubați din nou șurubul arborelui. (Imaginea 11)

**Important!** La montarea unui disc de tăiere, șurubul arborelui trebuie să fie strâns doar atât de tare încât discul să fie fixat și să nu se poată roti singur.

Dacă strângeți prea mult șurubul arborelui, discul de tăiere poate sări de pe flanșa discului sau discul se poate fractura.

Împingeți din nou capacul flanșei la loc.

Împingeți din nou în jos capacul discului de tăiere din față. Întregul capac al discului de tăiere se va închide.

**Important!** După montarea unui disc de tăiere nou, lăsați mașina să funcționeze timp de aproximativ un minut înainte de a începe orice lucrare de tăiere.

Nu stați în direcția de tăiere a mașinii în timpul acestui proces!

În cazul în care discul are o fractură invizibilă sau un alt tip de deteriorare care nu este evident, se va rupe în mai puțin de un minut.

### Extracția prafului

**Important!** Nu toate aspiratoarele de praf sunt adecvate pentru așchii metalice, deoarece acestea pot fi foarte fierbinți și, în anumite circumstanțe, pot provoca un incendiu.

## OPERAȚIUNE

**NOTĂ:** Înainte de a utiliza unealta, citiți cu atenție manualul de instrucțiuni.

### Pornire/oprire (imaginea 12)

Ferăstrăul de tăiat echipat cu un comutator de siguranță cu două acțiuni, care poate fi pornit prin apăsarea butonului lateral și a comutatorului ON/OFF. (2)  
Ferăstrăul de tăiat va fi oprit din nou atunci când comutatorul ON/OFF este eliberat.

### Lucrul cu ferăstrăul de tăiat

Mai întâi fixați piesa de lucru în menghina (9).

Porniți mașina și așteptați până când motorul a atins viteza maximă.

Apăsați încet capul ferăstrăului pe mâner (1).

Ghidați discul de tăiere prin piesa de prelucrat cu o presiune uniformă și fermă pentru o tăiere rapidă.

Împiedicați discul de tăiere să se clatine sau să sară. Acest lucru va duce la rezultate slabe de tăiere, la uzura prematură sau chiar la fracturarea discului de tăiere.

Nu reduceți viteza de tăiere nici măcar la sfârșitul procesului de tăiere, deoarece piesa de prelucrat se poate supraîncălzi și poate duce la formarea de bavuri inutile.

### Viteza de tăiere

Tăieri lente: Uzură mai mică a discului de tăiere (în funcție de calitatea discului de tăiere); piesa de prelucrat poate avea tendința de a forma bavuri și de a se decolora din cauza supraîncălzirii.

Tăieri rapide: Uzură mare a discului de tăiere (în funcție de calitatea discului de tăiere); mai puțină formare de bavuri și mai puțină decolorare a piesei de prelucrat, deoarece se nu se încălzește atât de mult.

## ÎNȚREȚINERE



**ATENȚIE!** Deconectați ștecherul de la rețeaua de alimentare înainte de a efectua orice operațiune de curățare sau întreținere.

Curățați în mod regulat carcasa aparatului cu o cârpă moale, de preferință după fiecare utilizare.

Păstrați fantele de ventilație libere de praf și murdărie. Dacă murdăria nu se îndepărtează, utilizați o cârpă moale umezită cu apă cu săpun.

Nu utilizați niciodată solvenți precum benzină, alcool, apă amoniacală etc. Acești solvenți pot deteriora părțile din plastic ale sculei.

Mașina nu necesită lubrifiere suplimentară.

În cazul în care apar alte deteriorări ale sculei, contactați un centru de service autorizat.

## ELIMINAREA MEDIULUI

Pentru a evita deteriorările în timpul transportului, scula trebuie să fie livrată într-un ambalaj solid. Ambalajul, precum și unitatea și accesoriile sunt fabricate din materiale reciclabile și pot fi eliminate în mod corespunzător. Componentele din plastic ale unelei marcate în funcție de materialul lor, ceea ce face posibilă îndepărtarea ecologică și diferențiată datorită facilităților de colectare disponibile.



### Numai pentru țările UE

Nu aruncați sculele electrice împreună cu deșeurile menajere!

În conformitate cu Directiva europeană 2002/96/CE privind deșeurile de echipamente electrice și electronice și cu punerea în aplicare a acesteia în conformitate cu legislația națională, uneltele electrice care au ajuns la sfârșitul duratei lor de viață trebuie colectate separat și returnate la o instalație de reciclare compatibilă cu mediul.

**EL**

Τα ηλεκτρικά εργαλεία έχουν κατασκευαστεί με αυστηρά πρότυπα που έχει θέσει η εταιρεία και συνάδουν με τα ευρωπαϊκά πρότυπα ποιότητας. Για τα ηλεκτρικά εργαλεία της εταιρείας μας παρέχεται περίοδος εγγύησης 24 μηνών για ερασιτεχνική χρήση, 12 μηνών για επαγγελματική χρήση και 6 μηνών για τις μπαταρίες. Η ισχύς της εγγύησης ξεκινά από την ημερομηνία αγοράς του προϊόντος. Αποδεικτικό του δικαιώματος της εγγύησης αποτελεί το παραστατικό αγοράς του εργαλείου (απόδειξη λιανικής ή τιμολόγιο). Σε καμία περίπτωση η εταιρεία δεν καλύπτει τη σχετική δαπάνη ανταλλακτικών και εργασίας εάν και εφόσον δε συνοδεύεται από αντίγραφο του παραστατικού αγοράς. Σε περίπτωση που η επισκευή πρέπει να γίνει στο service μας η δαπάνη μεταφοράς (από και προς) βαρύνει εξ' ολοκλήρου τον αποστολέα. Τα εργαλεία αποστέλλονται για την επισκευή τους στην εταιρεία ή σε εξουσιοδοτημένο συνεργείο με τον ενδεδειγμένο τρόπο και μέσο μεταφοράς.

**ΕΞΑΙΡΕΣΕΙΣ ΚΑΙ ΠΕΡΙΟΡΙΣΜΟΙ ΤΗΣ ΕΓΓΥΗΣΗΣ:**

- 1) Ανταλλακτικά που φθείρονται φυσιολογικά από τη χρήση τους (καρβουνάκια, καλώδιο, διακόπτες, φορτιστές, τσοκ κ.λ.π).
- 2) Εργαλεία που έχουν υποστεί ζημιές από τη μη συμμόρφωση με τις οδηγίες του κατασκευαστή.
- 3) Εργαλεία με ελλιπή συντήρηση.
- 4) Χρήση μη ενδεδειγμένων λιπαντικών ή εξαρτημάτων.
- 5) Εργαλεία που έχουν δοθεί χωρίς επιβάρυνση.
- 6) Βλάβη που οφείλεται σε ηλεκτρική σύνδεση σε τάση διαφορετική από την αναγραφόμενη στην πινακίδα συσκευής.
- 7) Σύνδεση σε μη γειωμένο ρευματοδότη.
- 8) Μεταβολή της τάσης του ρεύματος.
- 9) Βλάβη που προκύπτει από τη χρήση αλμυρού νερού (π.χ πλαστικά, αντλίες).
- 10) Βλάβη ή κακή λειτουργία που έχει προκύψει από πλημμελή καθαρισμό του εργαλείου.
- 11) Επαφή του εργαλείου με χημικά, ή βλάβη από υγρασία, διάβρωση.
- 12) Εργαλεία που έχουν υποστεί τροποποιήσεις – αλλαγές ή έχουν ανοιχτεί από μη εξουσιοδοτημένο συνεργείο.
- 13) Εργαλεία που χρησιμοποιούνται για νοίκιαση.

Η εγγύηση καλύπτει αποκλειστικά τη δωρεάν αντικατάσταση του εξαρτήματος που έχει κατασκευαστικό ελάττωμα ή αστοχία υλικού. Σε περίπτωση έλλειψης ανταλλακτικού η εταιρεία διατηρεί το δικαίωμα αντικατάστασης του εργαλείου με άλλο αντίστοιχο μοντέλο. Μετά τη διεκπεραίωση εγγύησης δεν επιμηκύνεται ούτε ανανεώνεται ο χρόνος εγγύησης του εργαλείου. Αντικατάσταση ανταλλακτικού με χρέωση επισκευής, καλύπτεται από 1 χρόνο εγγύησης καλής λειτουργίας, με προϋπόθεση την τήρηση των όρων εγγύησης. Τα ανταλλακτικά ή τα εργαλεία τα οποία αντικαθίστανται παραμένουν στην κατοχή της εταιρείας μας. Άλλες απαιτήσεις, εκτός από αυτές που αναφέρονται σε αυτό το έντυπο εγγύησης επισκευής ή βλαβών ηλεκτρικών εργαλείων, δεν ισχύουν. Για την εγγύηση αυτή ισχύει το ελληνικό Δίκαιο.

**EN**

The power tools have been manufactured according to strict standards, set by our company, which are aligned with the respective European quality standards. The power tools of our company are provided with a warranty period of 24 months for non-professional use, 12 months for professional use and 6 months for batteries. The warranty is valid from the date of purchase of the product. Proof of the warranty right is the purchase document of the tool (retail receipt or invoice). Under no circumstances shall the company cover the relevant cost of spare parts and respective required working hours unless a copy of the purchase document is presented. In case the repair has to be done by our service department the cost of transportation (to and from) is entirely borne by the sender (client). The tools must be sent for repair to the company or to an authorized workshop in the appropriate way and means of transport.

**WARRANTY EXEMPTIONS AND RESTRICTIONS:**

- 1) Spare parts that wear out naturally as a consequence of being used (brushes, cables, switches, chargers, chokes etc.).
- 2) Tools damaged as a result of non-compliance with the instructions of the manufacturer.
- 3) Tools poorly maintained.
- 4) Use of improper lubricants or accessories.
- 5) Tools given to third entities free of charge.
- 6) Damage due to an electrical connection at a voltage other than that indicated on the appliance plate.
- 7) Connection to a non-earthed power supply.
- 8) Change in current voltage.
- 9) Damage resulting from the use of salty water (e.g., washing machines, pumps).
- 10) Damage or malfunction resulting from improper cleaning procedure of the tool.
- 11) Contact of the tool with chemicals, or damage as a result of moisture or corrosion.
- 12) Tools that have been modified or opened by unauthorized personnel.
- 13) Tools used for rent.

The warranty covers only the free of charge replacement of the component that presents a manufacturing defect or material failure. In case of lack of a specific spare part the company reserves the right to replace the tool with another corresponding model. After all warranty procedures have been concluded, the warranty period of the tool shall not be extended or renewed. Replacement of a spare part with repair charge is covered by a 1 year warranty of good operation, subject to compliance with the warranty terms. The spare parts or tools that are replaced remain in the possession of our company. Requirements, other than those mentioned in this warranty form, regarding power tools repair or damage thereof, do not apply. Greek law and relative regulations apply to this warranty.

**FR**

Les outils électriques sont fabriqués selon des normes strictes, établies par notre société et se sont alignées sur les normes de qualité européennes respectives. Les outils électriques de notre société sont bénéficiés d'une garantie de 24 mois pour une utilisation non professionnelle, 12 mois pour une utilisation professionnelle et de 6 mois pour les batteries. La garantie est valable à partir de la date d'achat du produit. La preuve du droit à la garantie est le document d'achat de l'outil (ticket de caisse ou facture). En aucun cas, l'entreprise ne couvrira le coût des pièces de rechange et des heures de travail nécessaires si une copie du document d'achat n'est pas présentée. Si la réparation doit être effectuée par notre service après-vente, les frais de transport (aller- retour) sont entièrement à la charge de l'expéditeur (client). Les outils doivent être envoyés pour réparation à l'entreprise ou à un atelier agréé de la manière et avec le moyen de transport appropriée.

**EXEMPTIONS ET RESTRICTIONS DE GARANTIE:**

- 1) Les pièces de rechange qui s'usent naturellement suite à leur utilisation (balaise, câbles, interrupteurs, chargeurs, etc.).
- 2) Les outils endommagés à la suite du non-respect des instructions du fabricant.
- 3) Outils mal entretenus.
- 4) Utilisation de lubrifiants ou d'accessoires inappropriés.
- 5) Outils donnés à des tiers à titre gratuit.
- 6) Dommages dus à un mauvais branchement électrique ou à une tension différente de celle indiquée sur la plaque de l'appareil.
- 7) Connexion à une alimentation électrique non reliée à la terre.
- 8) Fluctuation de la tension inacceptable.
- 9) Dommages résultant de l'utilisation d'eau salée (par exemple, machines à laver, pompes).
- 10) Dommages ou dysfonctionnement résultant d'une procédure de nettoyage inadéquate de l'appareil.
- 11) Contact de l'outil avec des produits chimiques, ou dommages résultant de l'humidité ou de la corrosion.
- 12) Les outils qui ont été modifiés ou ouverts par du personnel non autorisé.
- 13) Les outils utilisés à location.

La garantie couvre uniquement le remplacement gratuit du composant qui présente un défaut de fabrication ou une défaillance matérielle. En cas d'absence d'une pièce de rechange spécifique, l'entreprise se réserve le droit de remplacer l'outil par un autre modèle correspondant. Après la conclusion de toutes les procédures de garantie, la période de garantie de l'outil ne sera pas prolongée ou renouvelée. Le remplacement d'une pièce de rechange, ainsi que les frais de réparation, sont couverts par une garantie de bon fonctionnement d'un an, sous réserve du respect des conditions de garantie. Les pièces de rechange ou les outils remplacés restent en possession de notre société. Les exigences, autres que celles mentionnées dans ce formulaire de garantie, concernant la réparation des outils électriques ou leur endommagement, ne sont pas applicables. La loi grecque et ses règlements s'appliquent à cette garantie.

**IT**

Gli elettrodomestici sono stati fabbricati secondo gli standard rigorosi, stabiliti dalla nostra azienda, che sono allineati con i rispettivi standard di qualità europei. Gli elettrodomestici della nostra azienda sono forniti con un periodo di garanzia di 24 mesi per uso non professionale, 12 mesi per uso professionale e 6 mesi per le batterie. La garanzia è valida dalla data di acquisto del prodotto. La prova del diritto di garanzia è il documento di acquisto dell'utensile (scontrino o fattura). In nessun caso l'azienda coprirà il relativo costo dei pezzi di ricambio e delle rispettive ore di lavoro necessarie se non viene presentata una copia del documento di acquisto. Nel caso in cui la riparazione debba essere effettuata dal nostro servizio di assistenza, il costo del trasporto (da e per) è interamente a carico del mittente (cliente). Gli utensili devono essere inviati per la riparazione all'azienda o ad un'officina autorizzata nel modo e nel mezzo di trasporto appropriato.

**ECCEZIONI E LIMITAZIONI ALLA GARANZIA:**

- 1) Pezzi di ricambio che si deteriorano naturalmente con l'uso (pezzi di consumo).
- 2) Utensili danneggiati dal mancato rispetto delle istruzioni del produttore.
- 3) Strumenti con manutenzione insufficiente.
- 4) Uso di lubrificanti o parti inappropriate.
- 5) Strumenti dati gratuitamente.
- 6) Guasto dovuto a un collegamento dell'aria compressa a una pressione diversa da quella indicata sulla targhetta dei dati tecnici.
- 7) Danni derivanti dall'uso di aria compressa impura e non filtrata.
- 8) Danni o malfunzionamenti derivanti da una pulizia inadeguata dell'utensile.
- 9) Contatto dell'utensile con prodotti chimici, o danni da umidità, corrosione.
- 10) Strumenti che hanno subito modifiche - cambiamenti o sono stati aperti da un'officina non autorizzata.
- 11) Strumenti utilizzati per il noleggio.
- 12) Strumenti che sono stati modificati o aperti da personale non autorizzato.
- 13) Strumenti utilizzati per il noleggio.

La garanzia copre solo la sostituzione gratuita del componente che presenta un difetto di fabbricazione o di materiale. In caso di mancanza di un pezzo di ricambio specifico, l'azienda si riserva il diritto di sostituire l'utensile con un altro modello corrispondente. Una volta concluse tutte le procedure di garanzia, il periodo di garanzia dell'utensile non potrà essere esteso o rinnovato. La sostituzione di un pezzo di ricambio, insieme al costo della riparazione, è coperta da una garanzia di buon funzionamento di 1 anno, a condizione che vengano rispettati i termini della garanzia. I pezzi di ricambio o gli utensili che vengono sostituiti rimangono in possesso della nostra azienda. I requisiti, diversi da quelli menzionati in questo modulo di garanzia, riguardanti la riparazione di utensili elettrici o il loro danneggiamento, non si applicano. La legge greca e i relativi regolamenti si applicano a questa garanzia.

**AL**

Mjetet e energjisë janë prodhuar sipas standardeve strikte, të vendosura nga kompania jonë, të cilat janë në përputhje me standardet respektive evropiane të cilësisë. Mjetet e energjisë të kompanisë sonë janë siguruar me një periudhë garancie prej 24 muajsh për përdorim jo profesional, 12 muaj për përdorim profesional dhe 6 muaj për bateritë. Garancia është e vlefshme nga data e blerjes së produktit. Prova e së drejtës së garancisë është dokumenti i blerjes së mjetit (faturë ose faturë me pakicë). Në asnjë rrethanë ndërmarrja nuk mbulon koston përkatëse të pjesëve të këmbimit dhe orarin përkatës të kërkuar të punës, përveç kur është paraqitur një kopje e dokumentit të blerjes. Në rast se riparimi duhet të bëhet nga departamenti ynë i shërbimit kostoja e transportit (për dhe nga) është tërësisht e mbajtur nga dërguesi (klienti). Mjetet duhet të dërgohen për riparim në ndërmarrje ose në një punishte të autorizuar në mënyrën dhe mjetet e duhura të transportit.

**PËRJASHTIMET DHE KUFIZIMET E GARANCISË:**

- 1) Pjesët rezervë që përdoren në mënyrë natyrale si pasojë e përdorur (furçat, kabllot, ndërruesit, karikuesit, mbytjet etj.).
- 2) Veglat e dëmtuara si rezultat i mosrespektimit të udhëzimeve të prodhuesit.
- 3) Mjetet e mbajtura keq.
- 4) Përdorimi i lubrifikantëve ose aksesoreve të papërshtatshëm.
- 5) Mjetet që u jepen enteve të treta pa pagesë.
- 6) Dëmtimi për shkak të një lidhje elektrike në një tension tjetër nga ai i treguar në pllakën e pajisjes.
- 7) Lidhja me furnizimin me energji jo tokësore.
- 8) Ndryshimi i tensionit aktual.
- 9) Dëmtimet që vijnë si pasojë e përdorimit të ujit të kripur (p.sh., lavatrice, pompa).
- 10) Dëmtimi ose mosfunksionimi që rezultojn nga procedura e papërshtatshme e pastrimit të mjetit.
- 11) Kontakti i mjetit me kimikate, ose dëmtimi si pasojë e lagështisë ose korrozionit.
- 12) Mjete që janë modifikuar ose hapur nga personel i paautorizuar.
- 13) Veglat e përdorura për qira.

Garancia mbulon vetëm zëvendësimin pa pagesë të komponentit që paraqet një defekt prodhues ose dështim material. Në rast të mungesës së një pjese rezervë specifike kompania rezervon të drejtën për të zëvendësuar mjetin me një model tjetër përkatës. Pasi të jenë përfunduar të gjitha procedurat e garancisë, periudha e garancisë së mjetit nuk do të zgjatet ose të rinovohet. Zëvendësimi i një pjese rezervë, së bashku me ngarkesën e riparimit, mbulohet nga një garanci veprimi e mirë 1 vit, subjekt i përputhjes me kushtet e garancisë. Pjesët e këmbimit ose mjetet që zëvendësohen mbeten në zotërim të kompanisë sonë. Kërkesat, përveç atyre të përmendura në këtë formë garancie, në lidhje me riparimin ose dëmtimin e mjeteve të energjisë elektrike, nuk zbatohen. Ligji grek dhe rregullat relative zbatohen për këtë garancia.

**SRB**

Električni alati su proizvedeni prema strogim standardima koje je postavila naša kompanija a koji su usklađeni sa odgovarajućim evropskim standardima kvaliteta. Električni alati naše kompanije imaju garantni rok od 24 meseca za neprofesionalnu upotrebu, 12 meseci za profesionalnu upotrebu i 6 meseci za baterije. Garancija važi od dana kupovine proizvoda. Dokaz za pravo na garanciju je dokument o kupovini električnog alata (maloprodajni račun ili faktura). Ni pod kojim okolnostima kompanija neće pokriti relevantne troškove rezervnih delova i potrebno odgovarajuće radno vreme ako se ne predoči kopija dokumenta o kupovini. U slučaju da popravku treba da uradi naš servis, troškove transporta (do i od) u potpunosti snosi pošiljalac (klijent). Električni alati za popravku se šalju u firmu gde su kupljeni ili u ovlašćeni servis i to tako da budu prikladno upakovani za transport.

**IZUZECI I OGRANIČENJA GARANCIJE:**

- 1) Rezervni delovi koji se prirodno troše kao posledica korišćenja (četkice, kablovi, prekiđači, punjači, prigušnice itd).
- 2) Alati oštećeni kao posledica nepoštovanja uputstva proizvođača.
- 3) Alati su loše održavani.
- 4) Upotreba neodgovarajućih maziva ili pribora.
- 5) Alati su dati trećim licima besplatno.
- 6) Oštećenje usled električnog priključka na napon koji nije naznačen na pločici uređaja.
- 7) Povezivanje na neuzemljeno napajanje.
- 8) Promena napona struje.
- 9) Oštećenja nastala upotrebom slane vode (npr. mašine za pranje veša, pumpe).
- 10) Oštećenje ili kvar nastao kao posledica nepravilne procedure čišćenja alata.
- 11) Kontakt alata sa hemikalijama ili oštećenje usled vlage ili korozije.
- 12) Alati koje je modifikovalo ili otvorilo neovlašćeno osoblje.
- 13) Alati koji se koriste za iznajmljivanje.

Garancija pokriva samo besplatnu zamenu komponente koja ima fabričku grešku ili materijalne nedostatke. U slučaju nedostatka rezervnog dela, kompanija zadržava pravo zamene električnog alata drugim odgovarajućim modelom. Nakon isteka garantnog roka, garantni rok električnog alata se ne produžava niti obnavlja. Rezervni delovi ili Električni alati koji su zamenjeni ostaju u posedu naše kompanije. Zamena rezervnog dela, zajedno sa naplatom popravke, pokrivena je garancijom za 1 godinu dobrog rada, koja podleže poštovanju uslova garancije. Zahtevi, osim onih navedenih u ovom obrascu garancije, u vezi sa popravkom električnog alata ili njegovim oštećenjem ne važe. Na ovu garanciju se primenjuju grčki zakoni i odgovarajući propisi.

## EN WARRANTY

This appliance is a quality product. It was designed in compliance with current technical standards and made carefully using normal, good quality materials. The warranty period is 24 months for non-professional use and 12 months for professional use and commences on the date of purchase, which can be verified by the receipt, invoice or delivery note. During this warranty period all functional errors, which, despite the careful treatment described in our operating manual, are verifiably due to material flaws, will be rectified by our after-sales service staff. The warranty takes the form that defective parts will be repaired or replaced with perfect parts free of charge at our discretion. Replaced parts will become our property. Repair work or the replacement of individual parts will not extend the warranty period nor will it result in a new warranty period being commenced for the appliance. No separate warranty period will commence for spare parts that may be used. We cannot offer a warranty for damage and defects on appliances or their parts caused by the use of excessive force, improper treatment and servicing. This also applies for failures to comply with the operating manual and the installation or spare and accessory parts that are not included in our range of products. In the event of interference with or modifications to the appliance by unauthorized persons, the warranty will be rendered void. Damages that are attributable to improper handling, over loading, or natural wear and tear are excluded from the guarantee. Damages caused by the manufacturer or by a material defect will be corrected at no charge by repair or by providing spare parts. The prerequisite is that the equipment is handed over assembled, and complete with the proof of sale and guarantee. For a guarantee claim, only use the original packaging. That way, we can guarantee quick and smooth guarantee processing. Please send us the appliances post-paid or request a Freeway sticker. Unfortunately we will be unable to accept appliances that are not postpaid. The warranty does not cover parts that are subject to natural wear and tear. If you wish to make a warranty claim, report faults or order spare parts or accessories, please contact the after-sales center: Subject to change without prior notice.

## DE GARANTIE

Dieses Gerät ist ein Qualitätsprodukt. Es wurde gemäß den aktuellen technischen Standards entworfen und sorgfältig mit normalen, hochwertigen Materialien hergestellt. Die Garantiezeit beträgt 24 Monate bei nicht-professioneller Nutzung und 12 Monate bei professioneller Nutzung und beginnt mit dem Kaufdatum, was anhand von Quittung, Rechnung oder Lieferschein überprüft werden kann. Während dieser Garantiezeit werden alle Funktionsfehler, die trotz der in unserer Bedienungsanleitung beschriebenen sorgfältigen Behandlung nachweislich auf Materialfehler zurückzuführen sind, von unseren Kundendienstmitarbeitern behoben. Die Garantie besteht in der Form, dass defekte Teile nach unserem Ermessen kostenlos repariert oder durch einwandfreie Teile ersetzt werden. Ersetzte Teile werden unser Eigentum. Reparaturarbeiten oder der Austausch einzelner Teile verlängern die Garantiezeit nicht und führen nicht zu einer neuen Garantiezeit für das Gerät. Für eventuell verbrauchte Ersatzteile beginnt keine gesonderte Gewährleistungsfrist. Wir können keine Garantie für Schäden und Mängel an Geräten oder deren Teilen geben, die durch übermäßige Gewaltanwendung, unsachgemäße Behandlung und Wartung verursacht wurden. Dies gilt auch für die Nichtbeachtung der Bedienungsanleitung und der Montage- oder Ersatz- und Zubehörteile, die nicht in unserem Sortiment enthalten sind. Bei Eingriffen in die Änderung durch unbefugte Personen am Gerät erlischt die Garantie. Schäden, die auf unsachgemäße Behandlung, Überlastung oder natürliche Abnutzung zurückzuführen sind, sind von der Garantie ausgeschlossen. Schäden, die vom Hersteller oder durch einen Materialfehler verursacht werden, werden durch Reparatur oder Ersatzteillieferung kostenlos behoben. Voraussetzung ist, dass das Gerät zusammen mit dem Verkaufsbeleg und der Garantie zusammengebaut übergeben wird. Verwenden Sie für einen Garantieanspruch nur die Originalverpackung. Auf diese Weise können wir eine schnelle und reibungslose Garantieabwicklung gewährleisten. Bitte schicken Sie uns die Geräte im Nachhinein oder fordern Sie einen Freeway-Aufkleber an. Geräte, die nicht nachbezahlt werden, können wir leider nicht akzeptieren. Die Garantie erstreckt sich nicht auf Teile, die einem natürlichen Verschleiß unterliegen. Wenn Sie einen Garantieanspruch geltend machen, Fehler melden oder Ersatzteile oder Zubehör bestellen möchten, wenden Sie sich bitte an das Kundendienstcenter: Änderungen vorbehalten.

## FR GARANTIE

Cet appareil est un produit de qualité. Il a été conçu conformément aux normes techniques en vigueur et fabriqué avec soin à l'aide de matériaux usuels et de qualité. La période de garantie est de 24 mois pour une utilisation non professionnelle et 12 mois pour une utilisation professionnelle et débute à la date d'achat. Elle peut être vérifiée sur le reçu, la facture ou le bon de livraison. Pendant cette période de garantie, toutes les erreurs de fonctionnement qui, malgré le traitement minutieux décrit dans notre manuel d'utilisation, sont dues à des défauts matériels, seront corrigées par notre service après-vente. La garantie prend la forme que les pièces défectueuses seront réparées ou remplacées par des pièces parfaites gratuitement à notre discrétion. Les pièces remplacées deviendront notre propriété. Les travaux de réparation ou le remplacement de pièces individuelles ne prolongeront pas la période de garantie et n'entraîneront pas le début d'une nouvelle période de garantie pour l'appareil. Aucune période de garantie séparée ne commencera pour les pièces de rechange susceptibles d'être utilisées. Nous ne pouvons pas offrir de garantie pour les dommages et les défauts des appareils ou de leurs pièces causés par l'utilisation d'une force excessive, un traitement ou un entretien inapproprié. Ceci s'applique également aux cas de non-respect du manuel d'utilisation et de l'installation ou des pièces détachées et accessoires non compris dans notre gamme de produits. En cas d'interférence avec des modifications apportées à l'appareil par des personnes non autorisées, la garantie sera annulée. Les dommages résultant d'une mauvaise manipulation, d'un chargement excessif ou d'une usure naturelle sont exclus de la garantie. Les dommages causés par le fabricant ou par un défaut matériel seront corrigés gratuitement par la réparation ou par la fourniture de pièces de rechange. La condition préalable est que le matériel soit remis assemblé et accompagné de la preuve de vente et de la garantie. Pour une demande de garantie, utilisez uniquement l'emballage d'origine. De cette manière, nous pouvons garantir un traitement rapide et sans heurts des garanties. S'il vous plaît envoyez-nous les appareils post-payés ou demandez un autocollant Freeway. Malheureusement, nous ne pourrions pas accepter les appareils non post-payés. La garantie ne couvre pas les pièces soumises à une usure naturelle. Si vous souhaitez faire une demande de garantie, signaler un défaut ou commander des pièces de rechange ou des accessoires, veuillez contacter le service après-vente: Sujet à modification sans préavis.

## ESP GARANTÍA

Este aparato es un producto de calidad. Fue diseñado de acuerdo con las normas técnicas actuales y se hizo con cuidado utilizando materiales normales y de buena calidad. El período de garantía es de 24 meses para uso no profesional y de 12 meses para uso profesional y comienza en la fecha de compra, que puede verificarse mediante el recibo, la factura o la nota de entrega. Durante este período de garantía, todos los errores funcionales que, a pesar del tratamiento cuidadoso que se describen en nuestro manual de operación, son verificables debido a fallas materiales, serán corregidos por nuestro personal de servicio postventa. La garantía adquiere la forma de que las piezas defectuosas se repararán o reemplazarán con piezas perfectas de forma gratuita a nuestra discreción. Las partes reemplazadas se convertirán en nuestra propiedad. Los trabajos de reparación o el reemplazo de piezas individuales no ampliarán el período de garantía, no dará lugar a que se comience un nuevo período de garantía para el aparato. No se iniciará ningún período de garantía por separado para las piezas de repuesto que puedan ser utilizadas. No podemos ofrecer una garantía por daños y defectos en los aparatos o sus partes causados por el uso excesivo de la fuerza, el tratamiento y el servicio incorrectos. Esto también se aplica a las fallas en el cumplimiento del manual de operación y la instalación o piezas de repuesto y accesorios que no están incluidos en nuestra gama de productos. En caso de interferencia con modificaciones al aparato por parte de personas no autorizadas, la garantía quedará anulada. Los daños que son atribuibles a un manejo inadecuado, sobrecarga o desgaste natural están excluidos de la garantía. Los daños causados por el fabricante o por un defecto de material se corregirán sin costo alguno por reparación o proporcionando piezas de repuesto. El requisito previo es que el equipo se entregue ensamblado y se complete con el comprobante de venta y garantía. Para una reclamación de garantía, utilice únicamente el embalaje original. De esta manera, podemos garantizar un rápido y suave procesamiento de garantías. Por favor, envíenos los electrodomésticos con pospago o solicite una etiqueta de Freeway. Lamentablemente, no podremos aceptar aparatos que no sean de pospago. La garantía no cubre las piezas que están sujetas a desgaste natural. Si desea realizar un reclamo de garantía, informar fallas o solicitar piezas de repuesto o accesorios, comuníquese con el centro de postventa: Sujeto a cambios sin previo aviso.



## IT

### GARANZIA

Questo apparecchio è un prodotto di qualità. È stato progettato in conformità con le attuali norme tecniche e realizzato con attenzione utilizzando materiali normali di buona qualità. Il periodo di garanzia è di 24 mesi per uso non professionale e di 12 mesi per uso professionale e decorre dalla data di acquisto, che può essere verificata tramite ricevuta, fattura o bolla di consegna. Durante questo periodo di garanzia tutti gli errori funzionali, che, nonostante l'accurato trattamento descritto nel nostro manuale operativo, sono verificabili a causa di difetti dei materiali, verranno risolti dal nostro personale di assistenza post-vendita. La garanzia assume la forma che le parti difettose saranno riparate o sostituite con parti perfette gratuitamente a nostra discrezione. Le parti sostituite diventeranno di nostra proprietà. I lavori di riparazione o la sostituzione di singole parti non prolungheranno il periodo di garanzia, poiché non si verificherà un nuovo periodo di garanzia per l'apparecchio. Non inizierà alcun periodo di garanzia separato per i pezzi di ricambio che possono essere utilizzati. Non possiamo offrire una garanzia per danni e difetti su apparecchi o loro parti causati dall'uso di forza eccessiva, trattamento e manutenzione inadeguati. Ciò vale anche per il mancato rispetto del manuale operativo e delle parti di installazione o di ricambio e accessori non inclusi nella nostra gamma di prodotti. In caso di interferenza con modifiche che all'apparecchio da parte di persone non autorizzate, la garanzia sarà invalidata. Sono esclusi dalla garanzia i danni riconducibili a uso improprio, sovraccarico o usura naturale. I danni causati dal prodotto o da un difetto o materiale verranno corretti gratuitamente mediante riparazione o fornitura di pezzi di ricambio. Il presupposto è che l'attrezzatura sia consegnata assemblata e completa con la prova di vendita e garanzia. Per una richiesta di garanzia, utilizzare solo la confezione originale. In questo modo, possiamo garantirvi un'elaborazione della garanzia rapida e agevole. Vi preghiamo di inviarci gli elettrodomestici post-pagamento o richiedere un adesivo Freeway. Purtroppo non saremo in grado di accettare apparecchi che non sono postpagati. La garanzia non copre parti soggette a usura naturale. Se si desidera presentare una richiesta di intervento in garanzia, segnalare guasti o ordinare pezzi di ricambio o accessori, contattare il centro assistenza: soggetto a modifiche senza preavviso.

## SLO

### GARANCIJA

Ta aprava je kakovosten izdelek. Zasnovan je bil v skladu z veljavnimi tehničnimi standardi in skrbno izdelan z običajnimi, kakovostnimi materiali. Garancijsko obdobje je 24 mesecev za neprofesionalno uporabo in 12 mesecev za profesionalno uporabo in se začne na dan nakupa, ki ga je mogoče preveriti s potrdilom o prejemu, računom ali dobavnico. V času garancijskega roka bodo vse funkcionalne napake, ki so kljub skrbni obdelavi, opisani v naših navodilih za uporabo, preverljive zaradi materialnih napak, odpravile naše servisno osebje. Garancija prevzame obliko, da bodo okvarjeni deli po lastni presoji brezplačno popravljeni ali zamenjani z brezhibnimi deli. Zamenjani deli bodo postali naša last. Popravila ali zamenjava posameznih delov ne podaljšujejo garancijskega roka, dokler ne začne veljati nova garancijska doba za napravo. Za rezervne dele, ki se lahko pojavijo, se ne bo začelo ločeno garancijsko obdobje. Ne moremo ponuditi garancije za poškodbe in napake na napravah ali njihovih delih zaradi uporabe prekomerne sile, nepravilne obdelave in servisiranja. To velja tudi za neupoštevanje navodil za uporabo in namestitve ali rezervnih delov in dodatkov, ki niso vključeni v našo paleto izdelkov. V primeru motenj v napravi s strani nepooblaščenih oseb, se garancija razveljavi. Poškodbe, ki so posledica nepravilnega ravnanja, obremenitve ali naravne obrabe, so izključene iz garancije. Poškodbe, ki jih povzročijo proizvajalec ali materialna napaka, se bodo popravile ali popravile z zagotavljanjem rezervnih delov. Predpogoj je, da se oprema preda sestavljena in skupaj z dokazilom o prodaji in garancijo. Za garancijski zahtevek uporabite samo originalno embalažo. Tako lahko zagotovimo hitro in gladko obdelavo garancij. Prosimo, pošljite nam naprave po plačilu ali zahtevajte nalepko za Freeway. Na žalost ne bomo mogli sprejeti naprav, ki niso postpaid. Garancija ne zajema delov, ki so predmet naravne obrabe. Če želite vložiti zahtevek za garancijo, prijaviti napake ali naročiti nadomestne dele ali dodatno opremo, se obrnite na spodnji prodajni center: Pridržujemo si pravico do sprememb brez predhodnega obvestila.

## MLT

### GARANYIJA

Dan l-apparat huwa prodott ta 'kwalità. Kienet imfassla f'konformità mal-istandards tekniċi attwali u saret b'attenzjoni bl-użu ta 'materjali normali u ta' kwalità tajba. Il-perjodu tal-garanzija huwa ta '24 xahar għal użu mhux professjonali u 12-il xahar għall-użu professjonali u jibda fid-data tax-xiri, li jista' jiġi vverifikat bir-riċevuta, fattura jew nota tal-kunsinna. Matul dan il-perjodu ta 'garanzija l-iżbalji funzjonali kollha, li, minkejja t-trattament bir-reqq deskritt fil-manwal operattiv tagħna, huma verifikabbli minħabba difetti materjali, se jiġu kkoreġuti mill-istaff tagħna tas-servizz ta' wara l-bejgħ. Il-garanzija tiegħu l-forma li partijiet difettużi se jissewewew jew jiġu sostitwiti bi partijiet perfetti bla ħlas fid-diskreżjoni tagħna. Partijiet mibdula jsiru proprjetà tagħna. Ix-xogħol ta 'tiswija jew is-sostituzzjoni ta' partijiet individwali ma jestendux il-perjodu ta 'garanzija mhux se jirriżulta f'li jibda perjodu ġdid ta' garanzija għall-apparat. Ma jibda l-ebda perjodu ta 'garanzija separat għal spare parts li jistgħu jiġu ted. Ma nistgħu noffru garanzija għal ħsara u difetti fuq l-apparat jew il-partijiet tagħhom ikkawżati mill-użu ta 'forza eċċessiva, trattament mhux xieraq u manutenzjoni. Dan japplika wkoll għal nuqqasijiet ta 'konformità mal-manwal tat-thaddim u l-installazzjoni jew partijiet ta' rikambju u aċċessorji li mhumiex inkluzi fil-firxa ta 'prodotti tagħna. Fil-każ ta 'interferenza ma' modifiki fl-apparat minn persuni mhux awtorizzati, il-garanzija ssir nulla. Ħsarat li huma attribwiti għal immaniġġjar hażin, tagħbija żejda, jew xedd u kedd naturali huma esklużi mill-garanzija. Danni kkawżati mill-manifattur jew minn difett materjali se jiġu kkoreġuti mingħajr ħlas permezz ta 'tiswija jew billi jiġu pprovduti spare parts. Il-pre-rekwiżit huwa li t-tagħmir jiġi mgħoddi immuntat, u komplut bil-prova tal-bejgħ u l-garanzija. Għal talba ta 'garanzija, uża biss l-imballaġġi originali. B'dan il-mod, nistgħu nigarantixxu proċessar ta 'garanzija malajr u bla xkiel. Jekk jogħġbok ibgħatilna l-appliances post-paid jew itlob stiker tal-Freeway. Sfortunatament ma nkunux nistgħu naċċettaw apparat li ma jithallasx wara. Il-garanzija ma tkoprix partijiet li huma soġġetti għal ilbies u kedd naturali. Jekk tixtieq tagħmel talba għall-garanzija, irrapporta ħsarat jew tordna spare parts jew aċċessorji, jekk jogħġbok ikkuntatt ja ċ-ċentru ta 'wara l-bejgħ: Soġġett għal bidla mingħajr avviż minn qabel.

## SK

### ZÁRUKA

Tento spotřebič je kvalitní výrobek. Bol navrhnutý v súlade s platnými technickými normami a opatrne používal bežné a kvalitné materiály. Záručná doba je 24 mesiacov na neprofesionálne použitie a 12 mesiacov na profesionálne použitie a začína plynúť dátumom nákupu, ktorý je možné overiť potvrdením, faktúrou alebo dodacím listom. Počas tejto záručnej lehoty všetky funkčné chyby, ktoré napriek starostlivej úprave popísanej v našom návode na obsluhu sú overiteľné z dôvodu materiálnych nedostatkov, opravia naši pracovníci popredajného servisu. Záruka má formu, že vadné časti budú opravené alebo nahradené perfektnými dielmi bezplatne podľa nášho uváženia. Nahradené diely sa stanú našimi vlastnosťami. Opravné práce alebo výmena jednotlivých dielov predĺženie záručnej lehoty nevedie k vzniku novej záručnej lehoty pre spotrebič. Za náhradné diely, ktoré môžu byť dodané, sa nezačína samostatná záručná lehota. Nemôžeme ponúknuť záruku na poškodenie a poškodenie spotrebičov alebo ich častí spôsobené nadmernou silou, nesprávnou obsluhou a servisom. Platí to aj pre poruchy v súlade s návodom na obsluhu a inštaláciou alebo náhradnými dielmi a príslušenstvom, ktoré nie sú súčasťou našej ponuky. V prípade zásahu do modifikácie spotrebiča neoprávnenými osobami sa záruka stane neplatnou. Škody, ktoré sú spôsobené nesprávnou manipuláciou, nadmerným zaťažením alebo prirodzeným opotrebovaním, sú z záruky vylúčené. Škody spôsobené výrobcom alebo chybou materiálu budú opravené bezplatne opravou alebo poskytnutím náhradných dielov. Predpokladom je, že zariadenie je odovzdané a kompletné s dokladom o predaji a zárukou. Pokiaľ ide o nárok na záruku, použite iba pôvodný obal. Týmto spôsobom môžeme zaručiť rýchle a plynulé spracovanie záruky. Pošlite nám, prosím, spotrebiče, ktoré ste už zaplatili, alebo požiadajte o nálepku Freeway. Bohužiaľ nebudeme môcť prijať zariadenia, ktoré nie sú vyplatené. Záruka sa nevzťahuje na časti, ktoré sú vystavené prirodzenému opotrebovaniu. Ak chcete požiadať o záruku, oznámiť chyby alebo objednať náhradné diely alebo príslušenstvo, obráťte sa na nižšie uvedené stredisko popredajného servisu: Podliehajú zmenám bez predchádzajúceho upozornenia.



## BG ГАРАНЦИЯ

Този уред е качествен продукт. Той е проектиран в съответствие с действащите технически стандарти и е направен внимателно при използване на нормални, качествени материали. Гаранционният срок е 24 месеца за непрофесионално ползване и 12 месеца за професионална употреба и започва да тече от датата на покупката, която може да бъде потвърдена с квитанция, фактура или документ за доставка. По време на този гаранционен период всички функционални грешки, които, въпреки внимателното третиране, описано в нашето ръководство за експлоатация, са проверими поради материални недостатъци, ще бъдат отстранени от нашия сервизен персонал. Гаранцията приема формата, в която дефектните части ще бъдат ремонтирани или заменени с перфектни части безплатно по наше усмотрение. Подменените части ще станат наша собственост. Ремонтните работи или подмяната на отделни части няма да удължат гаранционния срок, без това да доведе до започване на нов гаранционен период за уреда. За резервни части, които могат да бъдат поставени, няма да започне отделен гаранционен срок. Не можем да предложим гаранция за повреди и дефекти на уредите или техните части, причинени от използването на прекомерна сила, неправилно третиране и обслужване. Това важи и за неспазване на ръководството за експлоатация и инсталацията, както и резервни и допълнителни части, които не са включени в нашата гама от продукти. В случай на намеса в модификации на уреда от неупълномощени лица, гаранцията ще бъде премахната. Щети, които се дължат на неправилно боравене, натоварване или естествено износване, са изключени от гаранцията. Щети, причинени от производителя или от дефект на материала, ще бъдат поправени без заплащане чрез ремонт или чрез предоставяне на резервни части. Предпоставка е оборудването да се съгласява и да се допълни с доказателство за продажба и гаранция. За гаранционна претенция използвайте само оригиналната опаковка. По този начин можем да гарантираме бърза и гладка обработка на гаранциите. Моля, изпратете ни уредите след плащане или заявете стикер на Freeway. За съжаление няма да можем да приемаме уреди, които не са с абонамент. Гаранцията не покрива части, които са обект на естествено износване. Ако желаете да направите гаранционна претенция, да съобщите за неизправности или да поръчате резервни части или аксесоари, моля свържете се с центъра за поддръжка: Подлежи на промяна без предизвестие.

## RO GARANȚIE

Acest aparat este un produs de calitate. A fost proiectat în conformitate cu standardele tehnice actuale și a făcut cu atenție materiale normale, de bună calitate. Perioada de garanție este de 24 de luni pentru uz neprofesionist și de 12 luni pentru uz profesional și începe la data cumpărării, care poate fi verificată prin chitanță, factură sau buletin de livrare. În timpul acestei perioade de garanție, toate erorile funcționale, care, în ciuda tratamentului atent descris în manualul nostru de utilizare, sunt verifiabile din cauza defectelor materiale, vor fi rectificate -cate de personalul nostru de service post-vânzare. Garanția ia forma faptului că piesele defecte vor fi reparate sau înlocuite cu piese perfecte gratuit, la discreția noastră. Piesele înlocuite vor deveni proprietatea noastră. Lucrările de reparații sau înlocuirea pieselor individuale nu vor prelunge perioada de garanție, deoarece nu vor duce la începerea unei noi perioade de garanție pentru aparat. Nu se va începe nici o perioadă de garanție separată pentru piesele de schimb care pot fi incluse. Nu putem oferi o garanție pentru defecțiunile și defectele aparatelor sau ale pieselor acestora cauzate de utilizarea forței excesive, tratarea necorespunzătoare și întreținerea. Acest lucru se aplică și în caz de nerespectare a manualului de utilizare și a pieselor de instalare sau de rezervă și accesoriilor care nu sunt incluse în gama noastră de produse. În caz de interferență cu modifiările carele aduse aparatului de către persoane neautorizate, garanția va fi anulată. Daunele care pot fi atribuite manipulării necorespunzătoare, supraîncălzirii sau uzurii naturale sunt excluse din garanție. Deteriorările cauzate de producător sau de un defect material vor fi corectate gratuit, prin reparații sau prin furnizarea de piese de schimb. Condiția prealabilă este ca echipamentul să fi predat în asamblare și să fi completat cu dovada vânzării și a garanției. Pentru o cerere de garanție, utilizați numai ambalajul original. În acest fel, putem garanta procesarea rapidă și fără probleme a garanției. Trimiteți-ne aparatele post-plăți te sau solicitați un autocolant Freeway. Din păcate, nu vom putea accepta dispozitivul ve care nu sunt plătiți te postpaid. Garanția nu acoperă piese care sunt supuse uzurii naturale. Dacă doriți să solicitați o garanție, să semnalați defecțiuni sau să comandați piese de schimb sau accesorii, vă rugăm să contactați centrul de asistență tehnică: Pot fi modificate fără o notificare prealabilă.

## NMK GARANCIA

Овој уред е квалитетен производ. Дизајниран е во согласност со тековните технички стандарти и направен е внимателно со употреба на нормални, квалитетни материјали. Гарантниот период е 24 месеци за непрофесионална употреба и 12 месеци за професионална употреба и започнува на датумот на купување, што може да се потврди со потврда, фактура или испратница. За време на овој гарантен период, сите функционални грешки, кои, и покрај внимателниот третман опишан во нашето упатство за работа, се проверливи поради материјални недостатоци, ќе бидат поправени од нашиот персонал по продажбата. Гаранцијата има форма дека неисправните делови ќе бидат поправени или заменети со совршени делови бесплатно по наша дискреција. Заменетите делови ќе станат наша сопственост. Работата за поправка или замената на поединечни делови нема да го продолжи гарантниот период и нема да резултира со започнување на нов гарантен период за апаратот. Нема да започне посебен гарантен период за резервните делови што може да се тераат. Не можеме да понудиме гаранција за оштетување и дефекти на апаратите или нивните делови предизвикани од употреба на прекумерна сила, несоодветен третман и сервисирање. Ова исто така важи и за неусогласеност со упатството за работа и инсталацијата или резервните и дополнителните делови кои не се вклучени во нашата палета на производи. Во случај на мешање на модификации на апаратот од страна на неовластени лица, гаранцијата ќе се поништи. Штетите што се припишуваат на неправилно ракување, прекумерно оптоварување или природно абеење се исклучени од гаранцијата. Штетите предизвикани од производителот или од материјален дефект ќе се коригираат безплатно со поправка или со обезбедување резервни делови. Предуслов е опремата да биде предадена склопена, и комплетна со доказ за продажба и гаранција. За гаранција, користете го само оригиналното пакување. На тој начин, можеме да гарантираме брза и непречена обработка на гаранциите. Ве молиме испратете ни ги апаратите пост-пејд или побарајте налепница за автопат. За жал, нема да можеме да прифатиме апарати што не се постпејд. Гаранцијата не опфаќа делови кои се предмет на природно абеење и кинење. Доколку сакате да поднесете барање за гаранција, да пријавите дефекти или да нарачате резервни делови или додатоци, ве молиме контактирајте го постпродажниот центар: Може да се промени без претходна најава.

## HUN GARANCIA

Ez a készülék minőségi termék. Úgy tervezték, hogy megfeleljen a jelenlegi műszaki szabványoknak, és gondosan, normál, jó minőségű anyagokkal készült. A jótállási idő nem professzionális használat esetén 24 hónap, szakmai használat esetén 12 hónap, és a vásárlás napján kezdődik, amelyet a kézszévtel, a számla vagy a kézbesítési értesítés igazolhat. A garanciaidő alatt minden olyan funkcionális hiba, amely az üzemeltetési utasításunkban leírt gondos kezelés ellenére bizonyíthatóan az anyagi hibák miatt következik be, a vevőszolgálatunk javítja. A garancia olyan formája, hogy a hibás alkatrészek javítása vagy cseréje a tökéletes alkatrészekkel ingyenes. A cserélt részek tulajdonunk lesz. A javítási munkák vagy az egyes részek cseréje nem hosszabbítja meg a jótállási időszakot, és nem eredményez új garanciaidő megkezdését a készülék számára. Nincs külön garanciaidő a pótalkatrészek esetén. Nem nyújtunk garanciát a készülékek vagy alkatrészeik károsodására és hibáira a túlzott erő, a helytelen kezelés és a karbantartás miatt. Ez vonatkozik az üzemeltetési utasítás és a telepítés, illetve a tartalék és tartozék alkatrészeinek meg nem felelésére is, amelyek nem tartoznak a termékínálatunkba. Abban az esetben, ha a készülék jogosulatlan személy általi módosításai zavarnak, a garancia érvényét veszti. A nem megfelelő kezelés, a terhelés vagy a természetes kopás okozta károk nem tartoznak a garancia hatálya alá. A gyártó vagy az anyaghiba által okozott károkat a javítás vagy a pótalkatrészek beszerzése nélkül kijavítják. Az előfeltétel az, hogy a berendezést összeszerelték, és az értékesítés és a garancia igazolásával kiegészüljön. A garancia igényléséhez csak az eredeti csomagolást használja. Így garantálhatjuk a gyors és zökkenőmentes garanciafeldolgozást. Kérjük, küldje el nekünk a készüléket utólag fizetett vagy kérjen Freeway matricát. Sajnos nem tudjuk elfogadni a nem utólag fizetett készülékeket. A garancia nem terjed ki a természetes kopásnak kitett alkatrészekre. Ha garanciális igényt kíván nyújtani, hibákat jelenteni vagy pótalkatrészeket vagy tartozékokat rendelni, kérjük, vegye fel a kapcsolatot az alábbi értékesítési központtal: Előzetes értesítés nélkül változhat.

## POL GWARANCJA

To urządzenie jest produktem wysokiej jakości. Został zaprojektowany zgodnie z aktualnymi standardami technicznymi i wykonany starannie przy użyciu zwykłych, dobrej jakości materiałów. Okres gwarancji wynosi 24 miesiące w przypadku użytku nieprofesjonalnego i 12 miesięcy w przypadku użytku profesjonalnego i rozpoczyna się w dniu zakupu, który można zweryfikować za pomocą paragonu, faktury lub dowodu dostawy. W okresie gwarancji wszystkie błędy funkcjonalne, które pomimo starannego traktowania opisanego w naszej instrukcji obsługi, są weryfikowalne przez wady materiałowe, zostaną naprawione przez nasz personel obsługi posprzedażnej. Gwarancja ma formę, w której wadliwe części zostaną naprawione lub wymienione na części zamiennie bezpłatnie według naszego uznania. Wymienione części staną się naszą własnością. Naprawa lub wymiana pojedynczych części nie przedłuży okresu gwarancji, nie spowoduje to rozpoczęcia nowego okresu gwarancyjnego dla urządzenia. Nie rozpocznie się oddzielny okres gwarancji na części zamiennie, które mogą być używane. Nie możemy zaoferować gwarancji na uszkodzenia i usterki urządzeń lub ich części spowodowane użyciem nadmiernej siły, niewłaściwego traktowania i serwisowania. Dotyczy to również nieprzestrzegania instrukcji obsługi i instalacji lub części zamiennych i akcesoriów, które nie są zawarte w naszej ofercie produktów. W przypadku ingerencji w modyfikacje urządzenia przez osoby nieuprawnione, gwarancja zostanie unieważniona. Szkody, które można przypisać niewłaściwej obsłudze, nadmiernemu obciążeniu lub naturalnemu zużyciu, są wyłączone z gwarancji. Uszkodzenia spowodowane przez producenta lub wadę materiałową zostaną naprawione bezpłatnie przez naprawę lub przez dostarczenie części zamiennych. Warunkiem wstępnym jest przekazanie sprzętu w komplecie wraz z dowodem sprzedaży i gwarancją. W przypadku reklamacji należy używać tylko oryginalnego opakowania. W ten sposób możemy zagwarantować szybkie i płynne przetwarzanie gwarancji. Prześlij nam urządzenia post-paid lub zamów naklejkę na autostradę. Niestety nie będziemy mogli akceptować urządzeń, które nie są opłacane z dołu. Gwarancja nie obejmuje części ulegających naturalnemu zużyciu. Jeśli chcesz zgłosić roszczenie gwarancyjne, zgłoś usterki lub zamówić części zamiennie lub akcesoria, skontaktuj się z następującym centrum obsługi posprzedażnej: Zastrzega się możliwość zmian bez uprzedzenia.

## ALB GARANCIA

Kjo pajisje është një produkt cilësor. Washtë hartuar në përputhje me standardet aktuale teknike dhe është bërë me kujdes duke përdorur materiale normale, me cilësi të mirë. Periudha e garancisë është 24 muaj për përdorim jo profesional dhe 12 muaj për përdorim profesional dhe fillon në datën e blerjes, e cila mund të vërtetohet me faturën, faturën ose dorëzimin. Gjatë kësaj periudhe garancie, të gjitha gabimet funksionale, të cilat, përkundër trajtimit të kujdesshëm të përkthuesit në manualin tonë të funksionimit, janë verifikueshëm për shkak të metave të materialit, do të korrigjohen nga stafi ynë i shërbimit pas shitjes. Garancia merr formën që pjesët e dëmtuara do të riparohen ose zëvendësohen me pjesët e përsosura falas, sipas gjykimit tonë. Pjesët e zëvendësuara do të bëhen pronë jonë. Puna e riparimit ose zëvendësimit i pjesëve individuale nuk do të zgjasë periudhën e garancisë, por nuk do të rezultojë në fillimin e një periudhe të re garancie për pajisjen. Asnjë periudhë e veçantë e garancisë nuk do të fillojë për pjesët rezervë që mund të merren. Ne nuk mund të ofrojmë një garanci për dëmtimin dhe defektet e pajisjeve ose pjesëve të tyre të shkaktuara nga përdorimi i forcës së tepërt, trajtimi dhe shërbimi i pahijshëm. Kjo gjithashtu vlen për dështimet në përputhje me manualin e funksionimit dhe instalimin ose pjesët rezervë dhe aksesorë që nuk përfshihen në gamën tonë të produkteve. Në rast ndërhyrjeje në modifikimet e pajisjes nga persona të paautorizuar, garancia do të hiqet. Dëmet që mund t'i atribuohen trajtimit të pahijshëm, ngarkimit të tepërt, ose konsumit natyror, përjashtohen nga garancia. Dëmet e shkaktuara nga prodhuesi ose nga një defekt i materialit do të korrigjohen pa pagesë me riparim ose duke siguruar pjesë këmbimi. Parakushti është që pajisjet të dorëzohen të montuara, dhe të kompletuara me provën e shitjes dhe garancisë. Për një kërkesë garancie, përdorni vetëm paketimin origjinal. Në atë mënyrë, ne mund të garantojmë përpunim të shpejtë dhe të qetë të garancisë. Ju lutemi na dërgoni pajisjet me postë të paguar ose kërkoni një afishe autostradë. Për fat të keq, ne nuk do të jemi në gjendje të pranohim pajisje që nuk janë me kontratë. Garancia nuk përfshin pjesë që i nënshtrohen konsumit natyror. Nëse dëshironi të bëni një kërkesë për garanci, të raportoni gabime ose të porosisni pjesë rezervë ose pajisje, ju lutemi kontaktoni qendrën pas shitjes: Subjekti për të ndryshuar pa njëfjalë im paraprak.

## HR JAMSTVO

Ovaj je uređaj kvalitetan proizvod. Dizajniran je u skladu s trenutnim tehničkim standardima i izrađen je pažljivo koristeći normalne, kvalitetne materijale. Garancijsko razdoblje je 24 mjeseca za neprofesionalnu upotrebu i 12 mjeseci za profesionalnu uporabu i započinje datumom kupnje, što se može potvrditi potvrdom primitka, računa ili dostavnice. Tijekom ovog jamstvenog razdoblja sve će funkcionalne pogreške, koje su unatoč pažljivom postupanju opisanom u našem priručniku za upotrebu provjerljivo zbog materijalnih nedostataka, otkloniti od strane našeg servisnog osoblja. Jamstvo ima oblik da će se oštećeni dijelovi besplatno popraviti ili zamijeniti savršenim dijelovima, po našem nahođenju. Zamijenjeni dijelovi postat će naše vlasništvo. Popravak ili zamjena pojedinih dijelova neće produžiti jamstveno razdoblje, jer neće rezultirati novim jamstvenim rokom za uređaj. Neće započeti zasebni jamstveni rok za rezervne dijelove koji se mogu trošiti. Ne možemo pružiti jamstvo za oštećenja i oštećenja uređaja ili njihovih dijelova uzrokovanih prekomjernom silom, nepravilnim postupanjem i servisiranjem. To se također odnosi i na neusklađivanje s uputama za uporabu i instalacijskim ili rezervnim i pomoćnim dijelovima koji nisu uključeni u naš asortiman proizvoda. U slučaju ometanja neovlaštenih osoba na izmjenama uređaja, jamstvo će se poništiti. Oštećenja koja se mogu pripisati nepravilnom rukovanju, preopterećenju ili prirodnom habanju isključena su iz jamstva. Štete uzrokovane proizvođačem ili oštećenjem materijala ispravit će se besplatnim popravkom ili osiguravanjem rezervnih dijelova. Predviđet je da se oprema preda u sastavu, zajedno s dokazom o prodaji i garancijom. Za garancijski zahtjev koristite samo originalno pakiranje. Na taj način možemo jamčiti brzu i glatku obradu jamstava. Pošaljite nam uređaje naknadno ili zatražite naljepnicu autoputa. Nažalost, nećemo biti u mogućnosti prihvatiti uređaje koji nisu pretplaćeni. Jamstvo ne obuhvaća dijelove koji su podložni prirodnom habanju. Ako želite podnijeti zahtjev za jamstvom, prijaviti kvarove ili naručiti rezervne dijelove ili pribor, molimo kontakti rajte dolje prodajni centar: Podložno promjenama bez prethodne najave.

## SRB ГАРАНЦИЈА

Ovaj aparat je kvalitetan proizvod. Dizajniran je u skladu sa trenutnim tehničkim standardima i rađen pažljivo koristeći normalne, kvalitetne materijale. Garantni rok je 24 meseca Garantni rok je 24 meseca za neprofesionalno korišćenje i 12 meseci za profesionalnu upotrebu i započinje danom kupovine, što se može verifikovati primaњem, fakturom ili otpremnicom. Tokom ovog garantnog perioda, sve funkcionalne greške koje se, uprkos pažljivom postupanju opisanom u našem uputstvu za upotrebu, verovatno mogu proveriti zbog materijalnih nedostataka, otkloniће od strane нашег сервисног особља. Гаранција добија облик да ће се неисправни делови поправити или заменити савршеним деловима бесплатно по нашем нахођењу. Замењени делови постаће наше власништво. Поправци или замена појединих делова неће продужити гарантни рок јер неће резултирати новим гаранцијским роком за апарат. Неће почети посебан гарантни рок за резервне делове који се могу напунити. Не можемо пружити гаранцију за оштећења и оштећења уређаја или њихових делова насталих прекомерном силом, неправилним третманом и сервисирањем. Ово се такође односи и на непоштовање упутства за употребу и инсталационих или резервних и помоћних делова који нису обухваћени нашим асортиманом производа. У случају ометања модификација уређаја од стране неовлашћених особа, гаранција ће се поништити. Оштећења која се могу приписати неправилном руковању, преоптерећењу или природном хабању су искључена из гаранције. Оштећења настала од стране произвођача или оштећења материјала исправљаће се или поправљањем резервних делова бесплатно. Предуслов је да се опрема преда у саставу, заједно са доказом о продаји и гаранцијом. За захтев о гаранцији користите само оригинално паковање. На тај начин можемо гарантовати брзу и глатку обраду гаранција. Пошаљите нам уређаје накнадно или затражите налепницу са аутопута. Нажалост, нећемо бити у могућности да прихватимо уређаје који нису плаћени. Гаранција не покрива делове који су изложени природном хабању. Ако желите да поднесете захтев за гаранцијом, пријавите грешке или наручите резервне делове или додатну опрему, молимо контактирајте доњи продајни центар: Могу се променити без претходне најаве.

