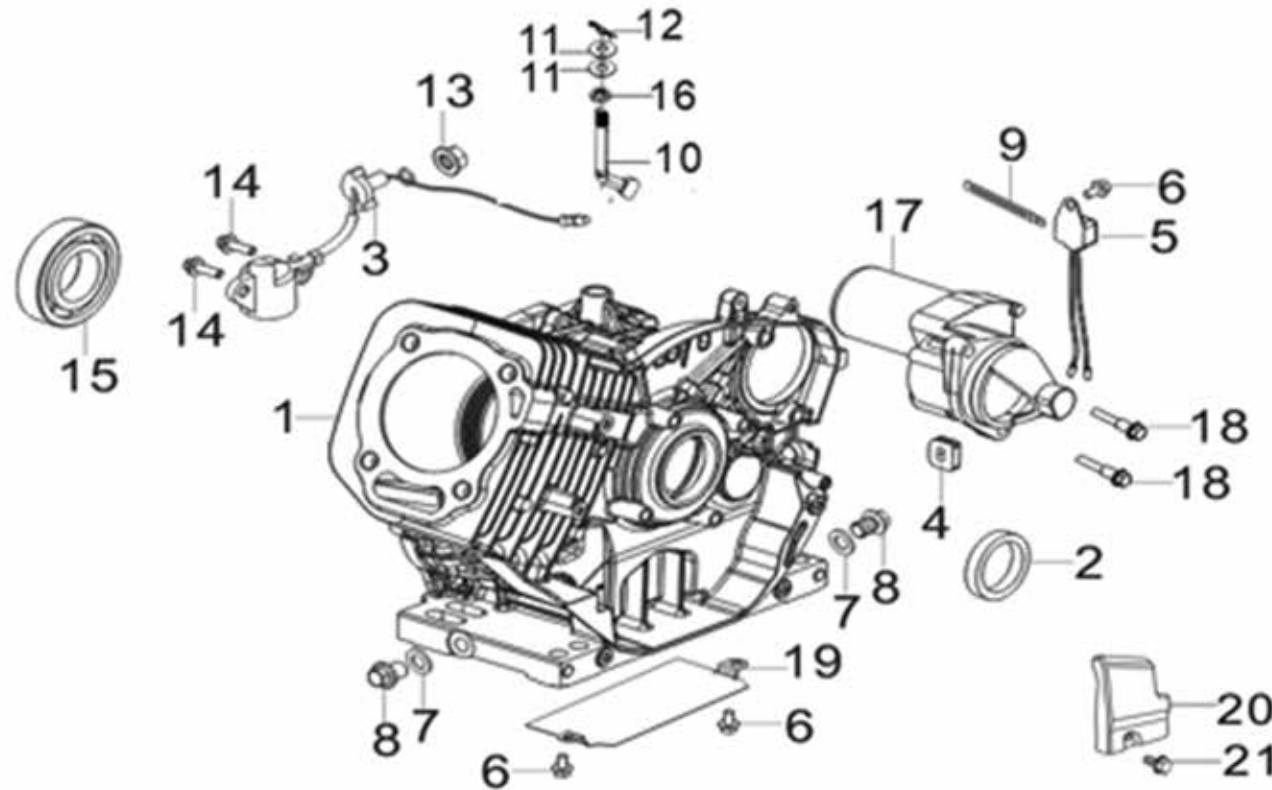
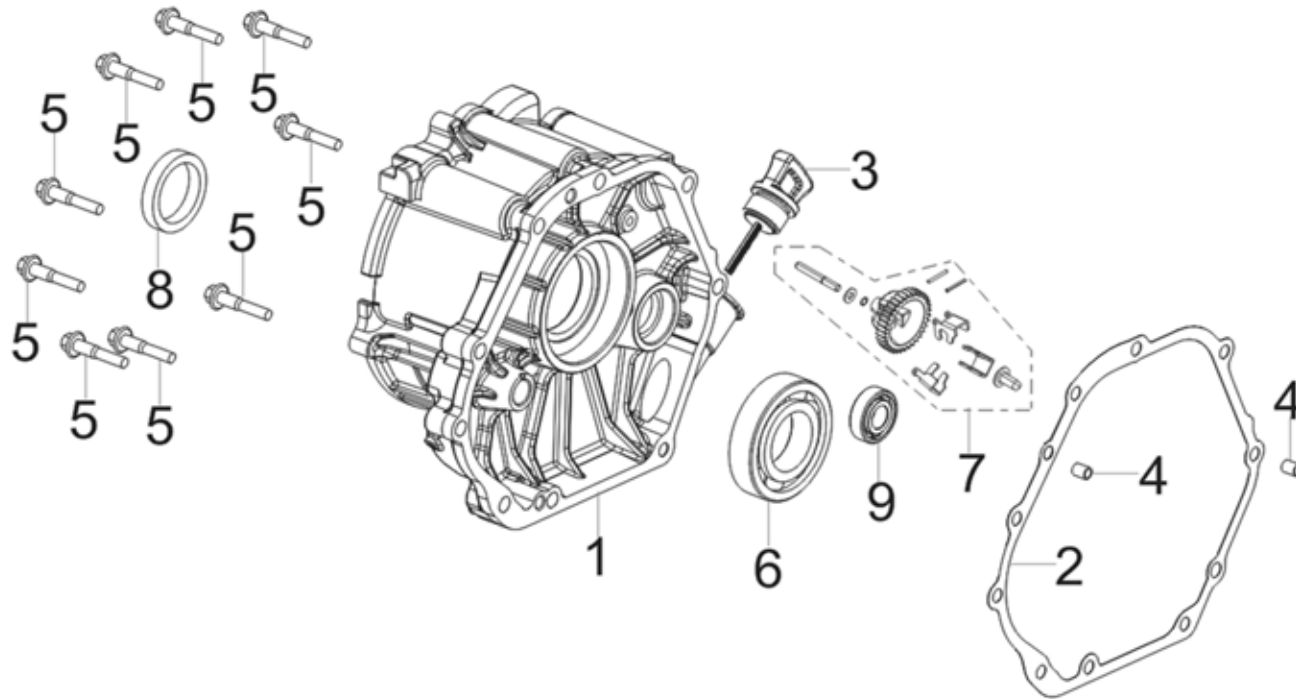


**E01**



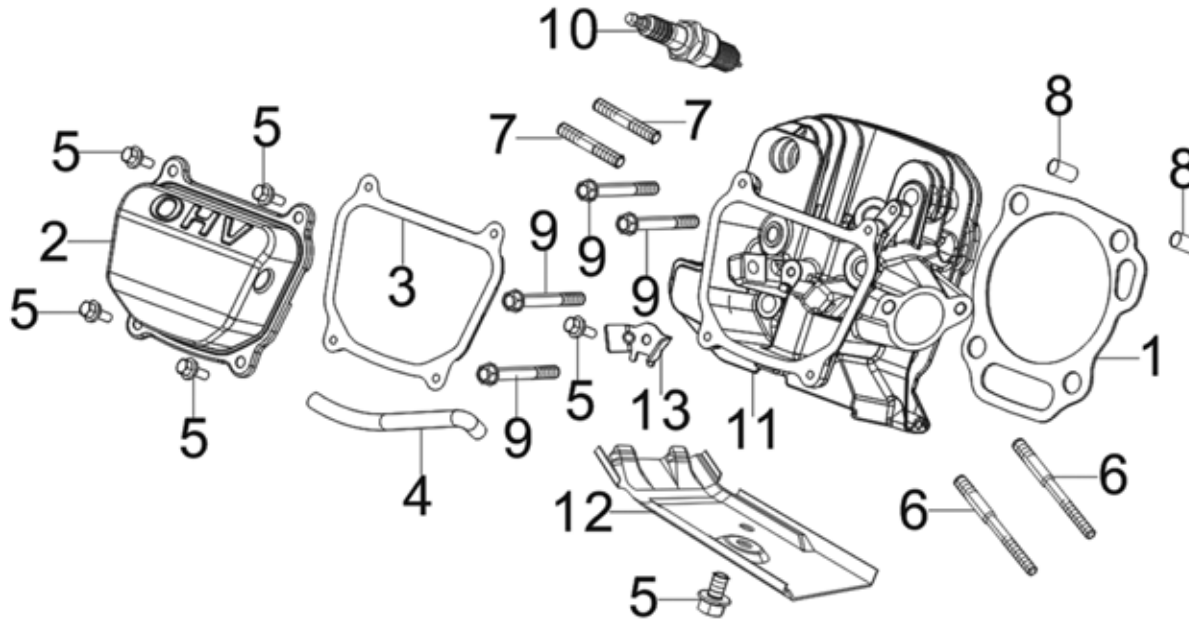
POS.	CODE	DESCRIPTION	QTY
E01-1	A08340	CRANKCASE	1
E01-2	A08723	OIL SEAL	1
E01-3	A08544	ENGINE OIL SENSOR	1
E01-4	A08545	RUBBER PLUG	1
E01-5	A08615	OIL PROTECTOR	1
E01-6	A08494	BOLT	3
E01-7	A08546	FLAT WASHER	2
E01-8	A09104	DRAIN PLUG BOLT	2
E01-9	A08924	WIRE CLIP	1
E01-10	A08725	GOVERNOR ARM	1
E01-11	A08548	FLAT WASHER	2
E01-12	A08951	COTTER PIN	1
E01-13	A08485	HEXAGON NUT WITH FLANGE	1
E01-14	A08496	BOLT	2
E01-15	A08549	DEEP GROOVE BALL BEARING	1
E01-16	A08726	OIL SEAL	1
E01-17	A08327	STARTING MOTOR ASSEMBLY	1
E01-18	A08600	BOLT	2
E01-19	A08727	CRANKCASE AIR DEFLECTOR	1
E01-20	A08654	OIL PROTECTOR COVER	1
E01-21	A08502	BOLT	1

**E02**



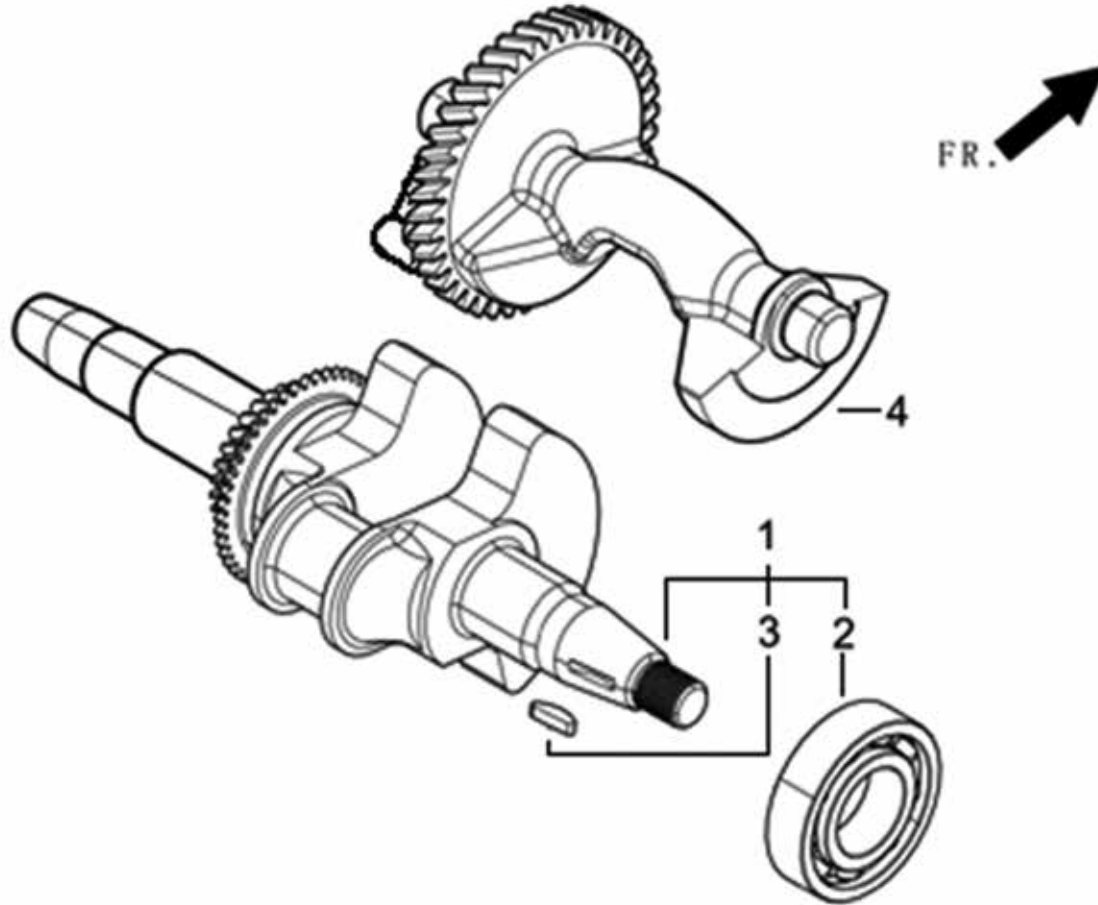
POS.	CODE	DESCRIPTION	QTY
E02-1	A08341	CRANKCASE COVER	1
E02-2	A08342	CRANKCASE GASKET	1
E02-3	A08471	OIL DIPSTICK	1
E02-4	A08550	POSITION PIN	2
E02-5	A08728	BOLT	9
E02-6	A08729	DEEP GROOVE BALL BEARING	1
E02-7	A08730	GOVERNOR GEAR	1
E02-8	A08723	OIL SEAL	1
E02-9	A08549	DEEP GROOVE BALL BEARING	1

**E03**



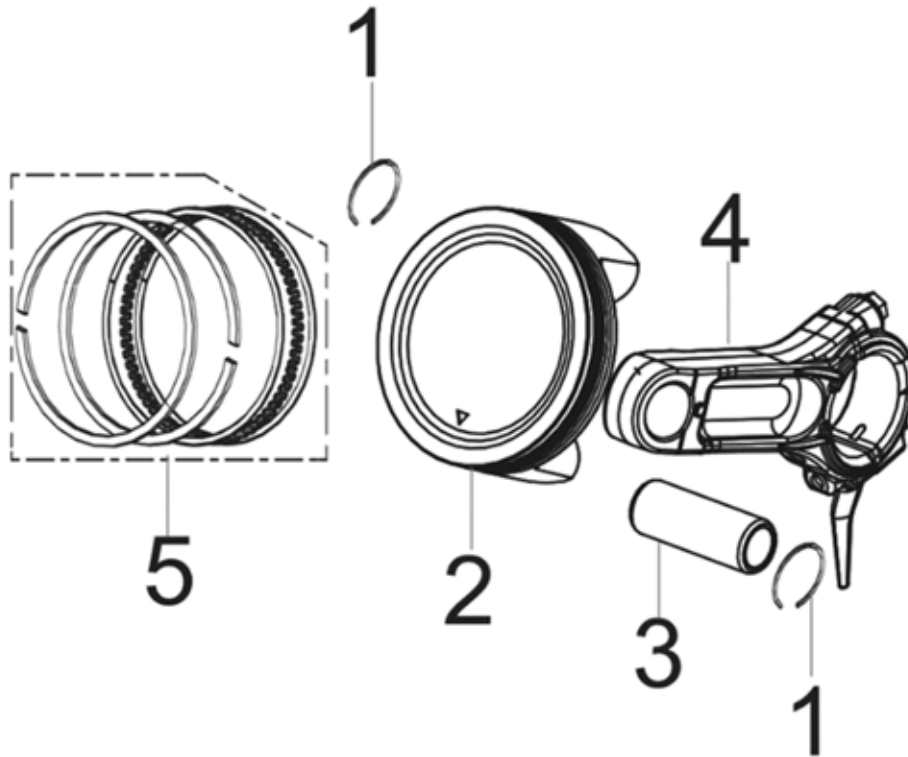
POS.	CODE	DESCRIPTION	QTY
E03-1	A08343	CYLINDER HEAD GASKET	1
E03-2	A08344	CYLINDER HEAD COVER	1
E03-3	A08345	CYLINDER HEAD COVER GASKET	1
E03-4	A08731	BREATHER TUBE	1
E03-5	A08968	BOLT	6
E03-6	A08705	STUD BOLT	2
E03-7	A08556	STUD BOLT	2
E03-8	A08557	POSITION PIN	2
E03-9	A08346	CYLINDER HEAD BOLT	4
E03-10	A08940	SPARK PLUG	1
E03-11	A08347	CYLINDER HEAD	1
E03-12	A08559	CYLINDER BODY SHROUD	1
E03-13	A13017	CYLINDER HEAD COVER PIN LIMIT PLATE	1

**E04**



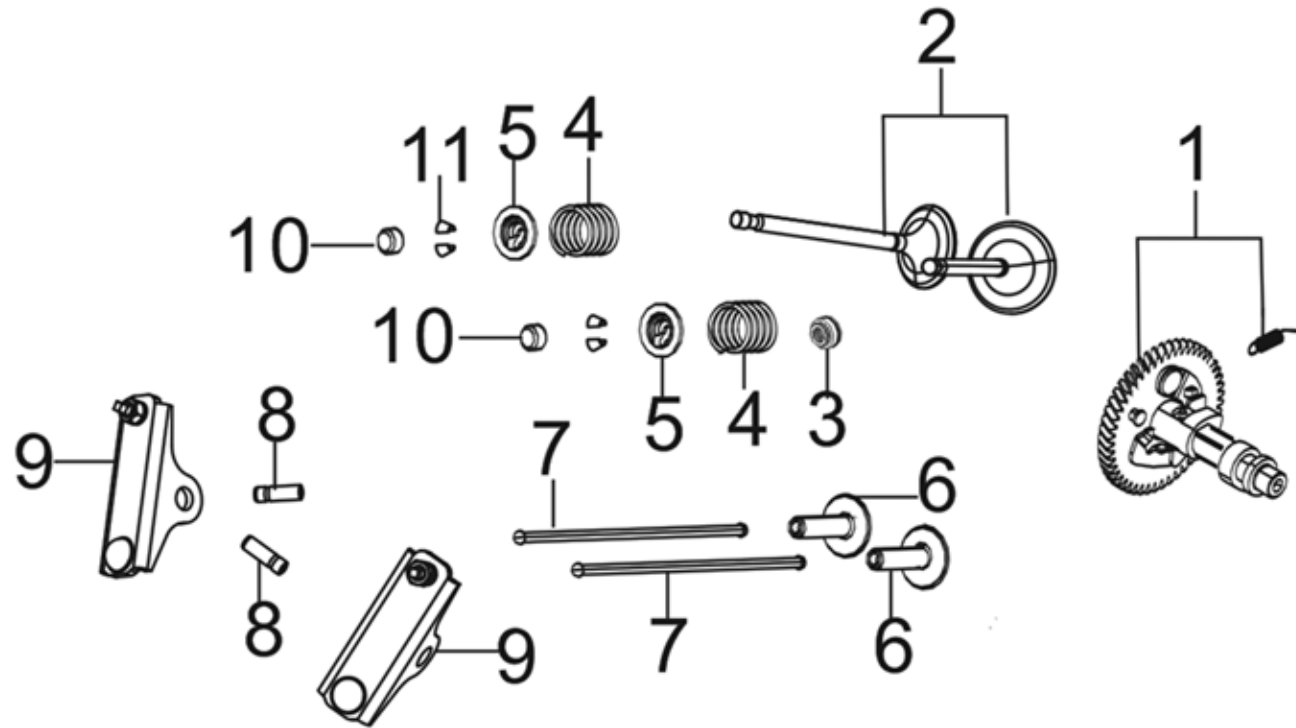
POS.	CODE	DESCRIPTION	QTY
E04-1	A08413	CRANKSHAFT ASSEMBLY	1
E04-2		BEARING 6208	1
E04-3	A09916	KEY	1
E04-4	A08425	BALANCING SHAFT	1

**E05**



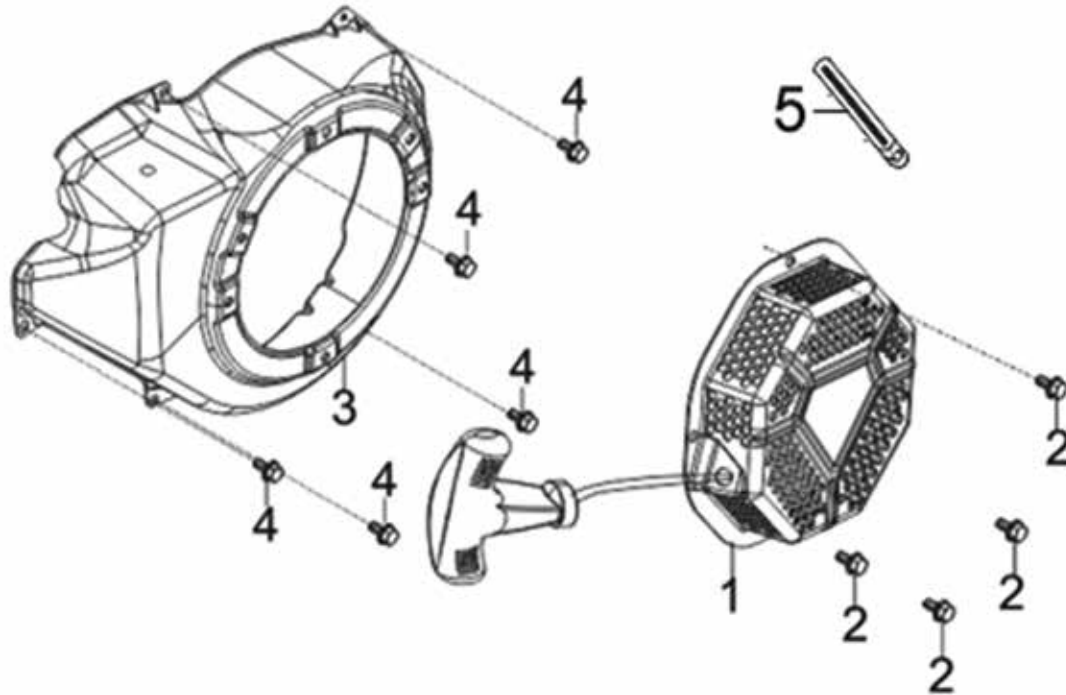
POS.	CODE	DESCRIPTION	QTY
E05-1	A08410	PISTON PIN CLIP	2
E05-2	A08349	PISTON	1
E05-3	A08350	PISTON PIN	1
E05-4	A08351	CONNECTING ROD	1
E05-5	A08414	PISTON RING SET	1

**E06**



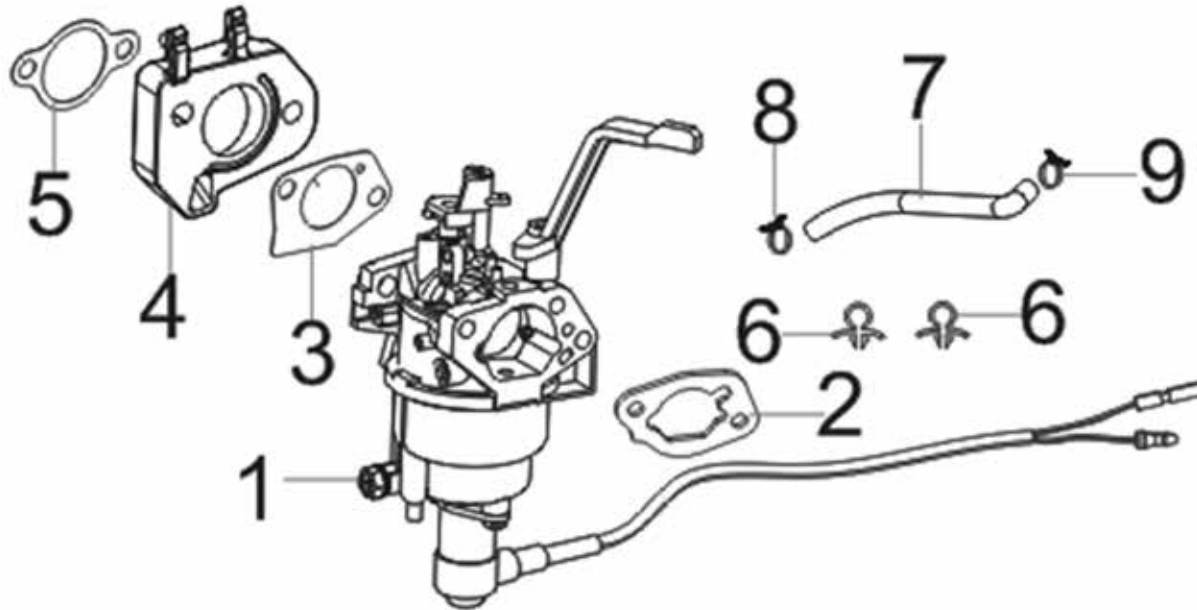
POS.	CODE	DESCRIPTION	QTY
E06-1	A08446	CAMSHAFT ASSEMBLY	1
E06-2	A08352	VALVES SET	1
E06-3	A08338	SEAL GUIDE	1
E06-4	A08353	VALVE SPRING	2
E06-5	A08354	VALVE SPRING SEAT	2
E06-6	A08444	TAPPET VALVE	2
E06-7	A08434	VALVE LIFTER	2
E06-8	A08464	ROCKER SHAFT	2
E06-9	A08452	ROCKER VALVE	2
E06-10	A08355	ROTATOR VALVE	2
E06-11	A08356	VALVE LOCK CLAMP	4

**E07**



POS.	CODE	DESCRIPTION	QTY
E07-1	A08655	RECOIL STARTER	1
E07-2	A08732	BOLT (SET WITH FLAT WASHER)	4
E07-3	A08706	SHROUD	1
E07-4	A08968	BOLT	5
E07-5	A08924	WIRE CLIP	1

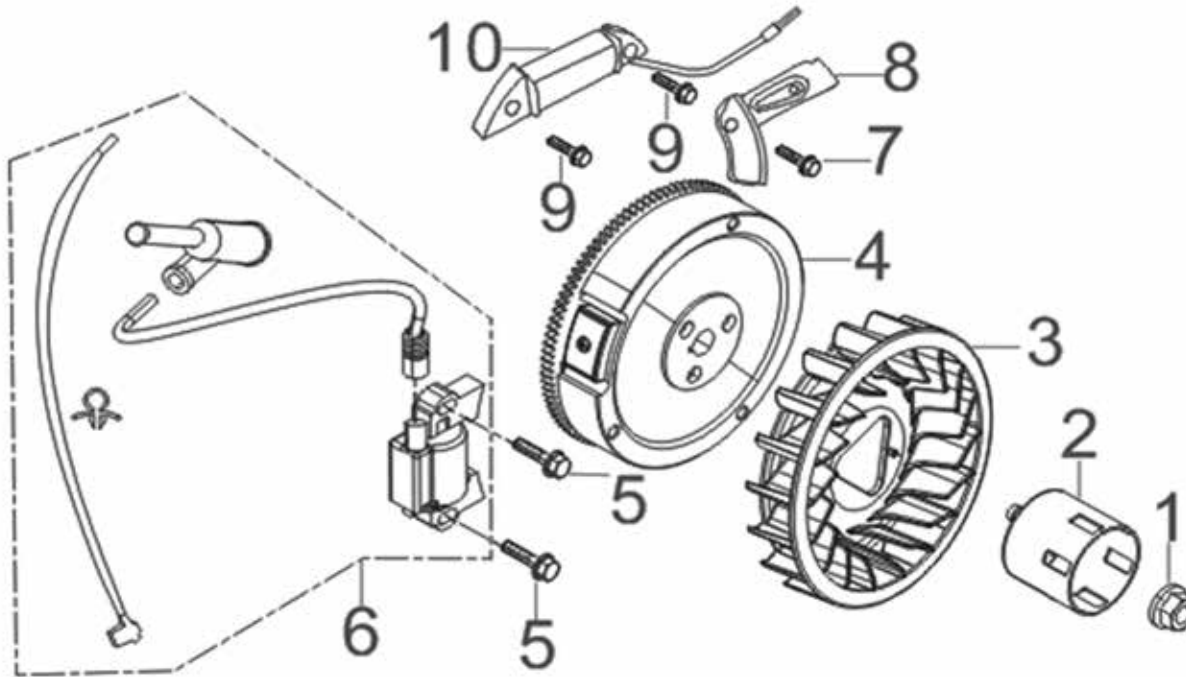
**E09**



POS.	CODE	DESCRIPTION	QTY
E09-1	A08733	CARBURETOR	1
E09-2	A08734	AIR CLEANER SEAL GASKET	1
E09-3	A08472	CARBURETOR SEAL GASKET	1
E09-4	A08479	CARBURETOR INSULATOR PLATE	1
E09-5	A08735	INLET GASKET	1
E09-6	A08736	WIRE CLIP	2
E09-7	A08750	FUEL TUBE	1
E09-8	A08737	PIPE CLAMP	1
E09-9	A08816	COLLAR	1

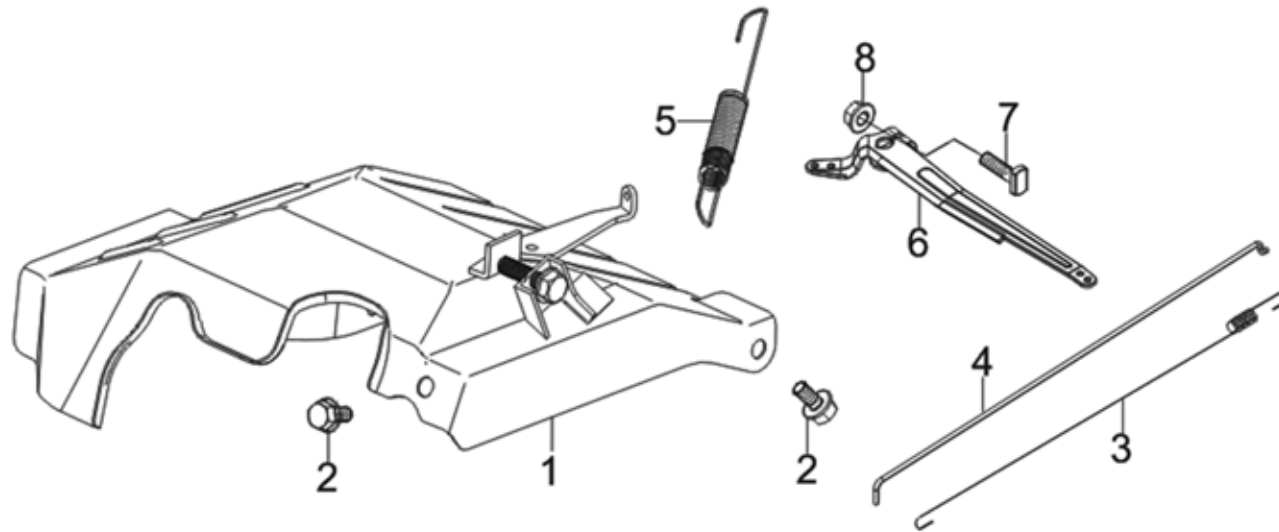


**E10**



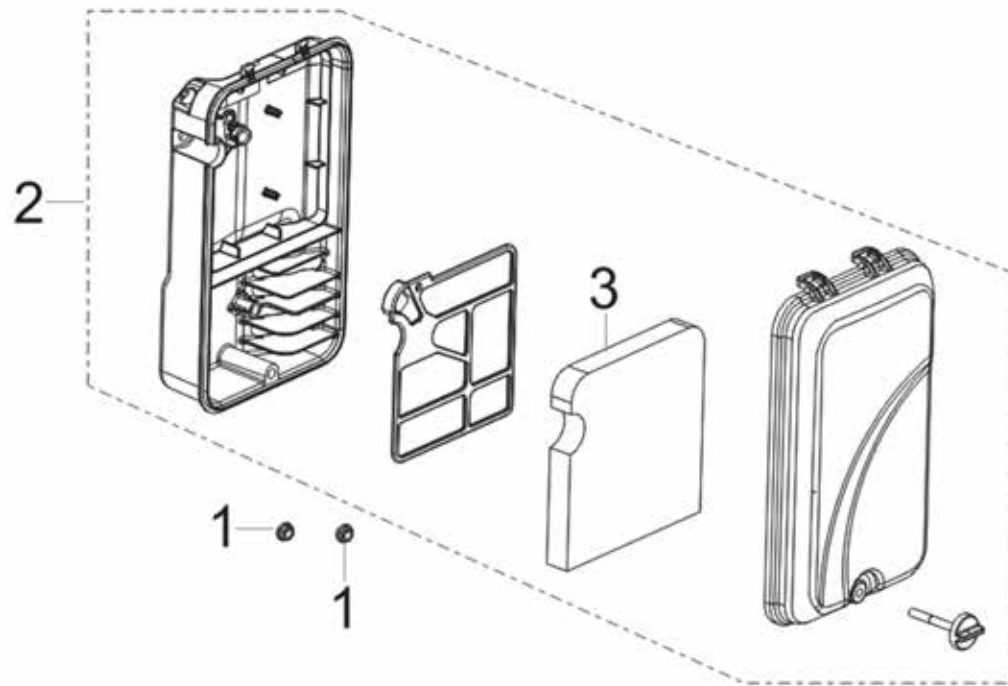
POS.	CODE	DESCRIPTION	QTY
E10-1	A08431	FLYWHEEL NUT	1
E10-2	A08564	STARTER PULLEY	1
E10-3	A08708	IMPELLER	1
E10-4	A08435	FLYWHEEL	1
E10-5	A08937	BOLT	2
E10-6	A08566	IGNITION COIL	1
E10-7	A08494	BOLT	1
E10-8	A08658	CHARGE COIL CLAMP	1
E10-9	A08738	BOLT	2
E10-10	A08659	CHARGE COIL	1

**E11**



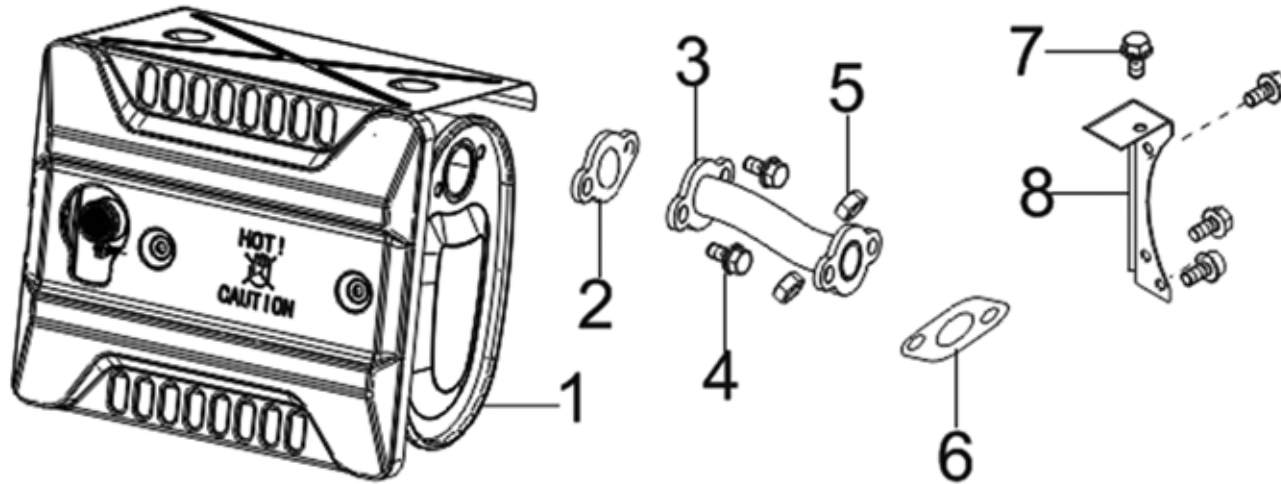
POS.	CODE	DESCRIPTION	QTY
E11-1	A08739	THROTTLE CONTROL	1
E11-2	A08968	BOLT	2
E11-3	A08568	THROTTLE VALVE RETURNING SPRING	1
E11-4	A08569	GOVERNOR ROD	1
E11-5	A08740	GOVERNOR SPRING	1
E11-6	A08571	GOVERNOR BRACKET	1
E11-7	A08505	GOVERNOR SUPPORT BOLT	1
E11-8	A08506	HEXAGON NUT WITH FLANGE	1

**F01**



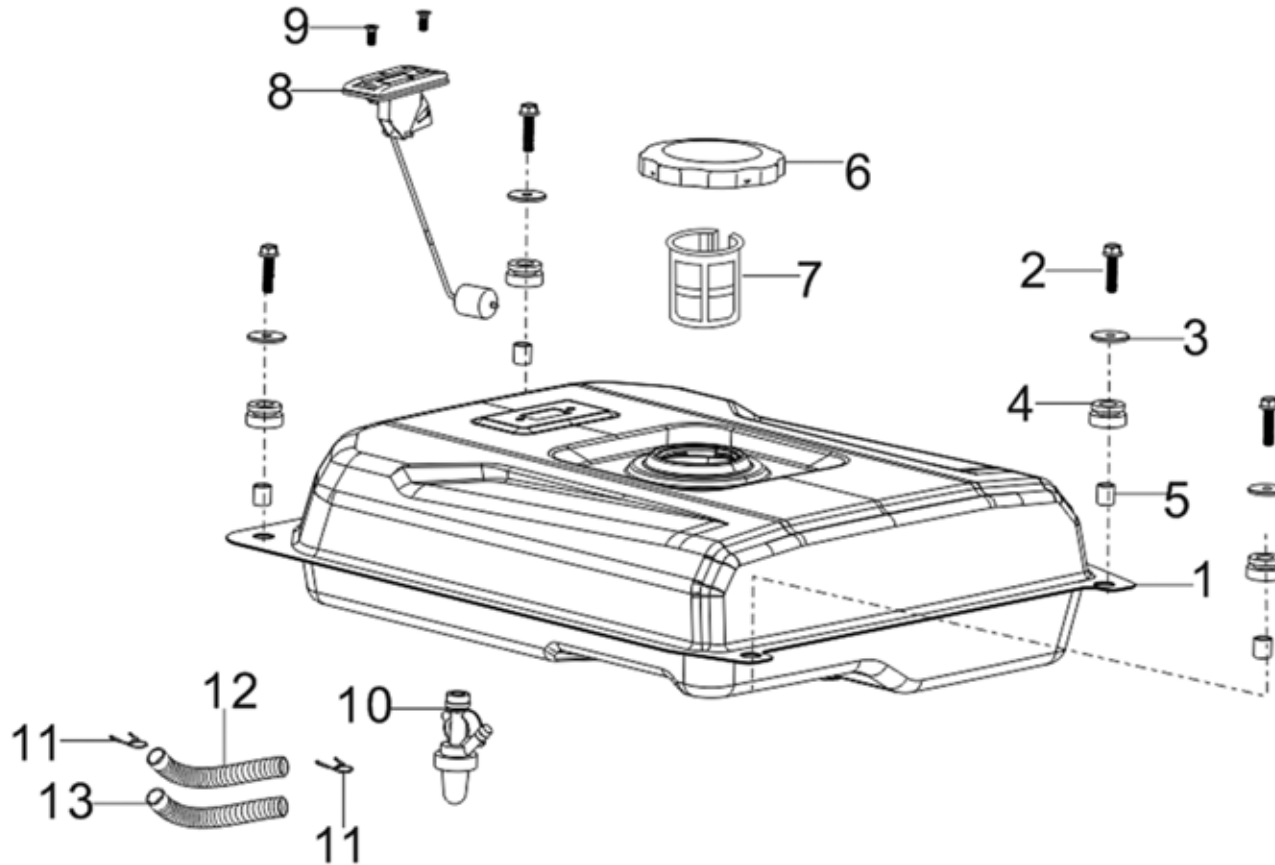
POS.	CODE	DESCRIPTION	QTY
F01-1	A08506	HEXAGON NUT WITH FLANGE	2
F01-2	A08741	AIR FILTER ASSEMBLY	1
F01-3	A08742	AIR FILTER ELEMENT	1

# F02



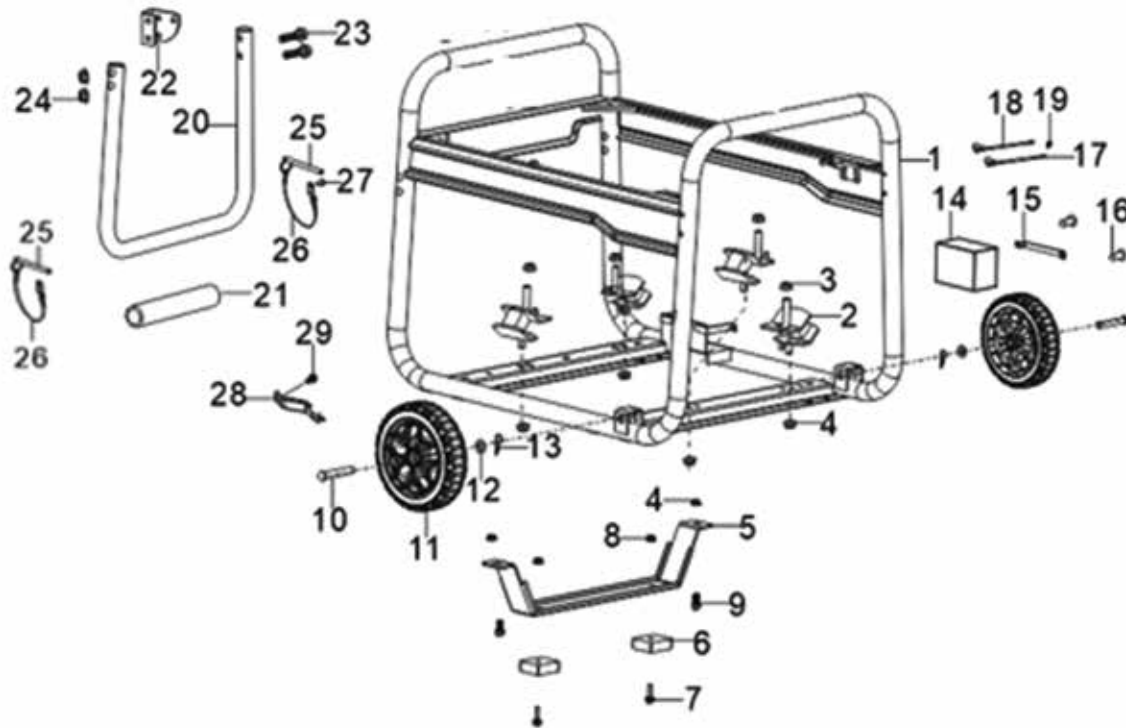
POS.	CODE	DESCRIPTION	QTY
F02-1	A08744	MUFFLER	1
F02-2	A08745	MUFFLER GASKET	1
F02-3	A08746	EXHAUST PIPE	1
F02-4	A08662	BOLT	2
F02-5	A08747	HEXAGON NUT	2
F02-6	A08748	MUFFLER GASKET	1
F02-7	A08624	BOLT	4
F02-8	A08664	MUFFLER BRACKET	1

**F03**



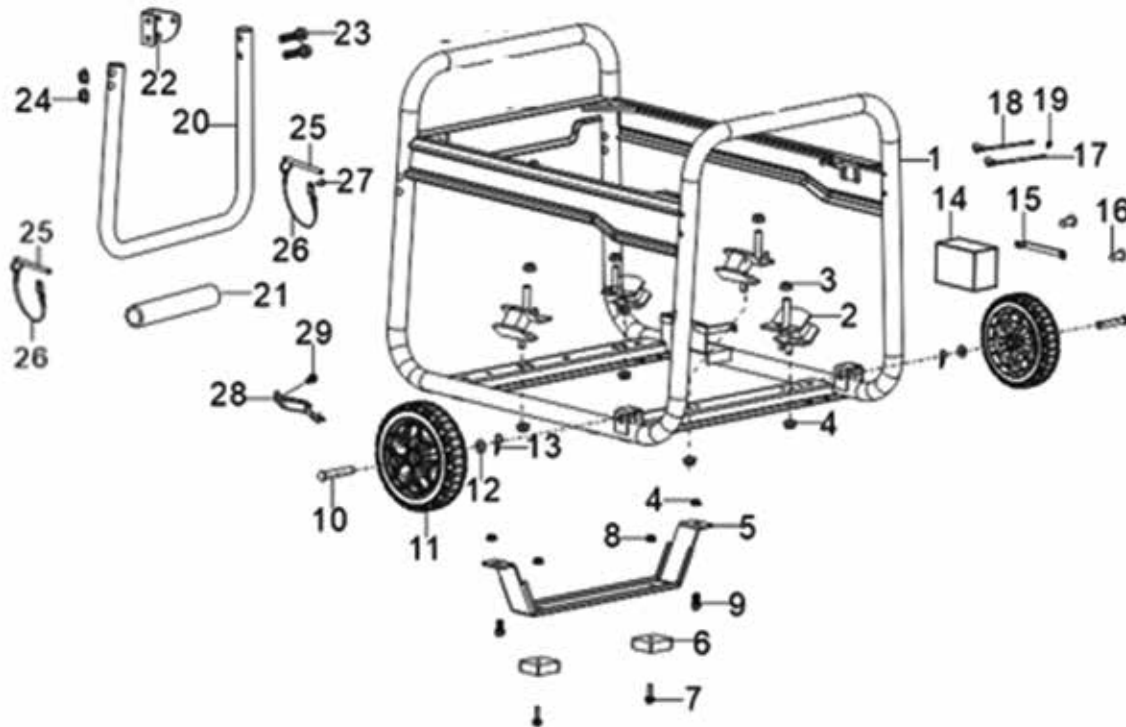
POS.	CODE	DESCRIPTION	QTY
F03-1	A08665	FUEL TANK	1
F03-2	A08639	BOLT	4
F03-3	A08515	FLAT WASHER	4
F03-4	A08626	FUEL TANK RUBBER SLEEVE	4
F03-5	A08749	BUSH	4
F03-6	A08632	FUEL TANK COVER	1
F03-7	A08633	FUEL STRAINER	1
F03-8	A08630	OIL LEVELER	1
F03-9	A08631	BOLT	2
F03-10	A08628	FUEL COCK	1
F03-11	A08816	COLLAR	2
F03-12	A08750	FUEL TUBE	1
F03-13	A08666	RUBBER JACKET	1

# F04



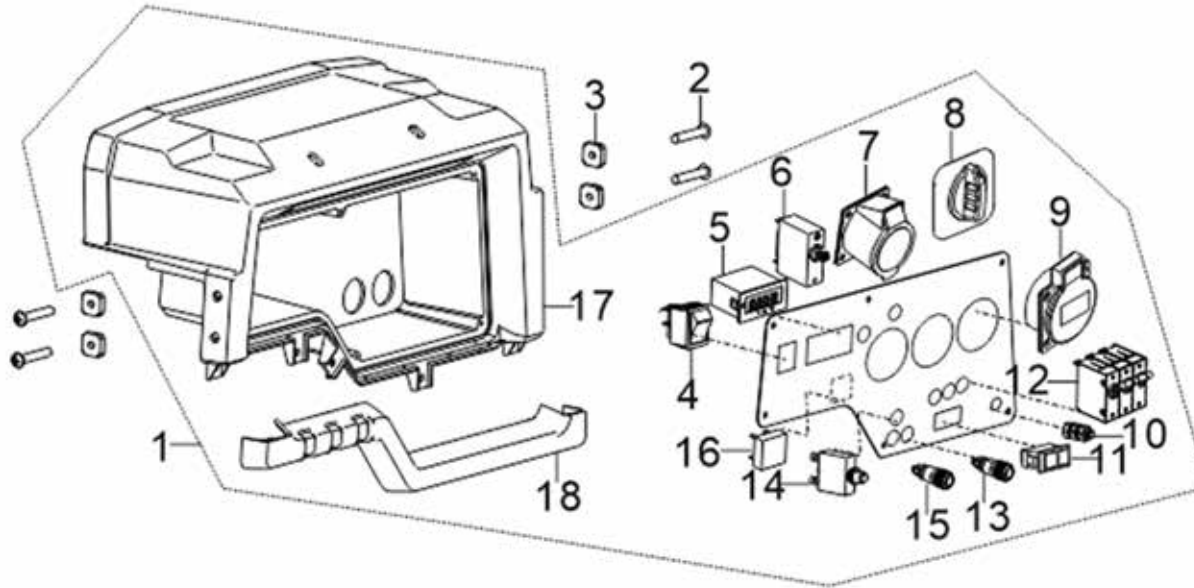
POS.	CODE	DESCRIPTION	QTY
F04-1	A08712	ENGINE FRAME ASSEMBLY	1
F04-2	A08668	ENGINE FRAME REAR CUSHION	4
F04-3	A08751	HEXAGON NUT WITH FLANGE	4
F04-4	A08520	HEXAGON NUT WITH FLANGE	6
F04-5	A08669	ENGINE FRAME SHOCK ABSORPTION SUPPORT	1
F04-6	A08670	ENGINE FRAME SHOCK ABSORPTION SEAT	2
F04-7	A08671	BOLT	2
F04-8	A08506	HEXAGON LOCK NUT WITH FLANGE	2
F04-9	A08624	BOLT	2
F04-10	A08672	FRONT WHEEL SHAFT	2
F04-11	A08673	FRONT WHEEL	2
F04-12	A10646	FLAT WASHER	2
F04-13	A08675	COTTER PIN	2
F04-14	A08676	BATTERY	1
F04-15	A08677	BATTERY CLAMP	1
F04-16	A04813	BOLT	2
F04-17	A08678	CATHODE WIRE	1
F04-18	A08679	ANODE WIRE	1
F04-19	A08646	BOLT	1
F04-20	A08680	HANDLE TUBE	1
F04-21	A08681	HANDLE RUBBER SLEEVE	1
F04-22	A08682	HANDLE TUBE CONNECTING SEAT	1
F04-23	A08683	BOLT	2
F04-24	A08684	NUT	2
F04-25	A08685	PIN SHAFT	2
F04-26	A08686	SLING	2
F04-27	A08687	BOLT	1

# F04



POS.	CODE	DESCRIPTION	QTY
F04-28	A08743	AIR CLEANER SUPPORT	1
F04-29	A08968	BOLT	1

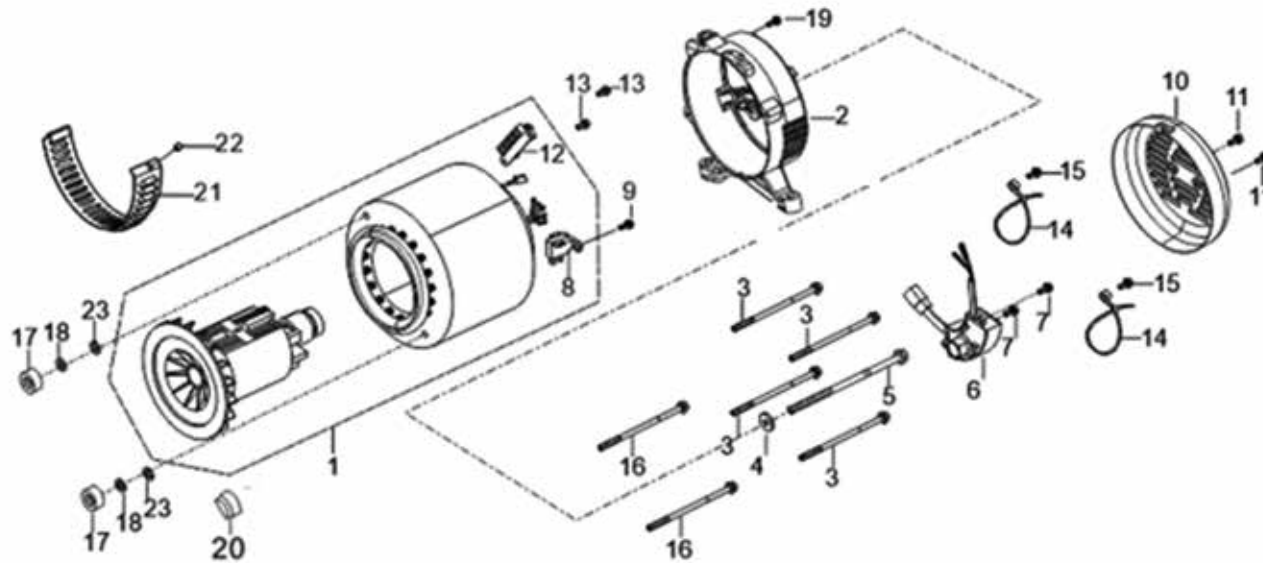
# F05



POS.	CODE	DESCRIPTION	QTY
F05-1	A13187	CONTROL PANEL ASSEMBLY	1
F05-2	A08690	BOLT	4
F05-3	A08969	NUT	4
F05-4	A08606	SWITCH	1
F05-5	A13203	TIMER	1
F05-6	A13166	SINGLE-POLE CIRCUIT BREAKER	1
F05-7	A08585	POWER SUPPLY SOCKET	1
F05-8	A13213	VOLTAGE SWITCHOVER SWITCH	1
F05-9	A13195	POWER SUPPLY SOCKET	1
F05-10	A08531	GROUNDING TERMINAL	1
F05-11	A08691	SWITCH	1
F05-12	A13201	THREE-POLES BREAKERS	1
F05-13	A08755	NEGATIVE BINDING POST	1
F05-14	A08828	OVERCURRENT PROTECTOR	1
F05-15	A08756	POSITIVE BINDING POST	1
F05-16	A08528	RECTIFICATION BRIDGE	1
F05-17	A08693	PANEL SEAT	1
F05-18	A08692	FRONT PANEL DECORATED PLATE	1



# F06



POS.	CODE	DESCRIPTION	QTY
F06-1	A13182	MOTOR ASSEMBLY	1
F06-2	A08695	MOTOR SUPPORT	1
F06-3	A08760	STATOR BOLT	4
F06-4	A08759	FLAT WASHER	1
F06-5	A08761	ROTOR BOLT	1
F06-6	A13221	VOLTAGE REGULATOR	1
F06-7	A08930	BOLT	2
F06-8	A08592	CARBON BRUSH	1
F06-9	A08536	BOLT	1
F06-10	A08697	MOTOR TAIL COVER	1
F06-11	A08536	BOLT	2
F06-12	A08652	TERMINAL BLOCK	1
F06-13	A08930	BOLT	2
F06-14	A08594	BAND	2
F06-15	A08930	BOLT	2
F06-16	A08758	STATOR BOLT	2
F06-17	A08699	FLAT WASHER	2
F06-18	A08700	STATOR NUT	2
F06-19	A08930	BOLT	1
F06-20	A08757	MOTOR RIGHT COVER STOPPER	1
F06-21	A08702	MOTOR SHROUD	1
F06-22	A08868	BOLT	1
F06-23	A13219	FLAT WASHER	2