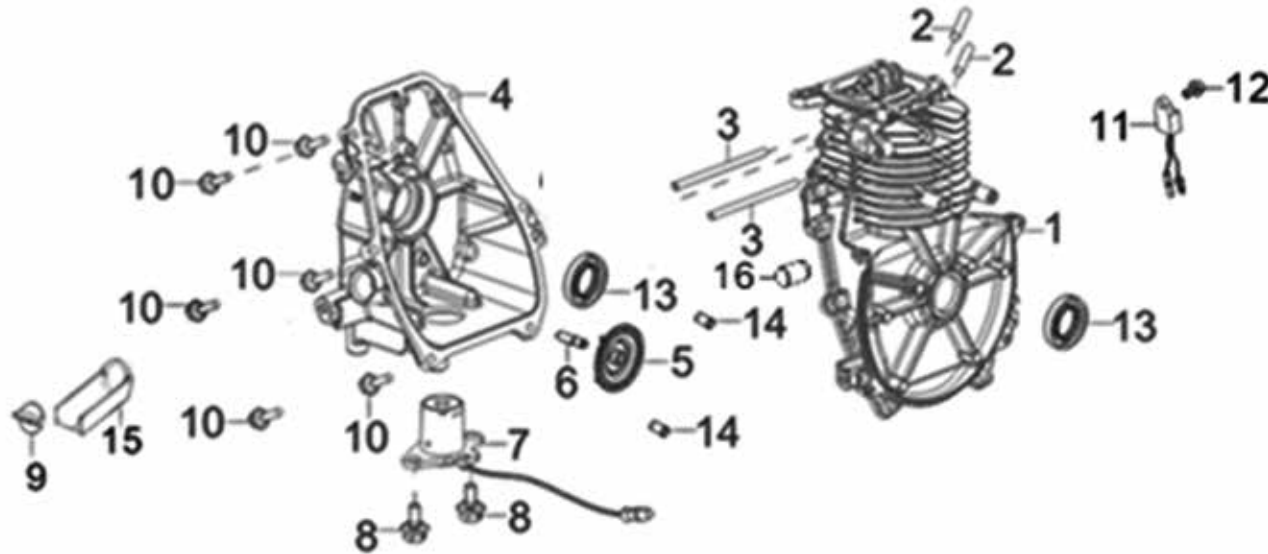
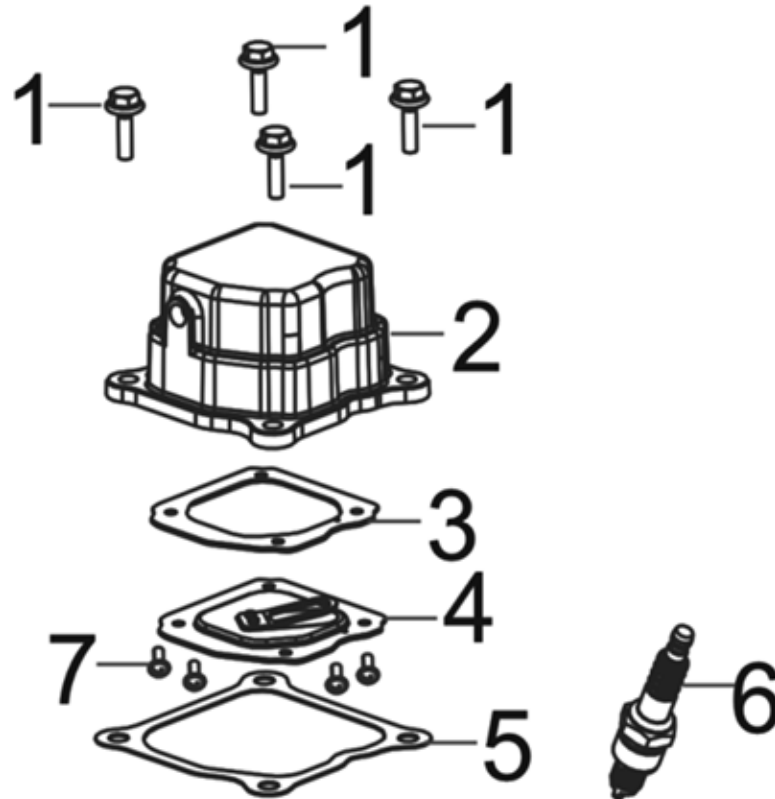


**E01**



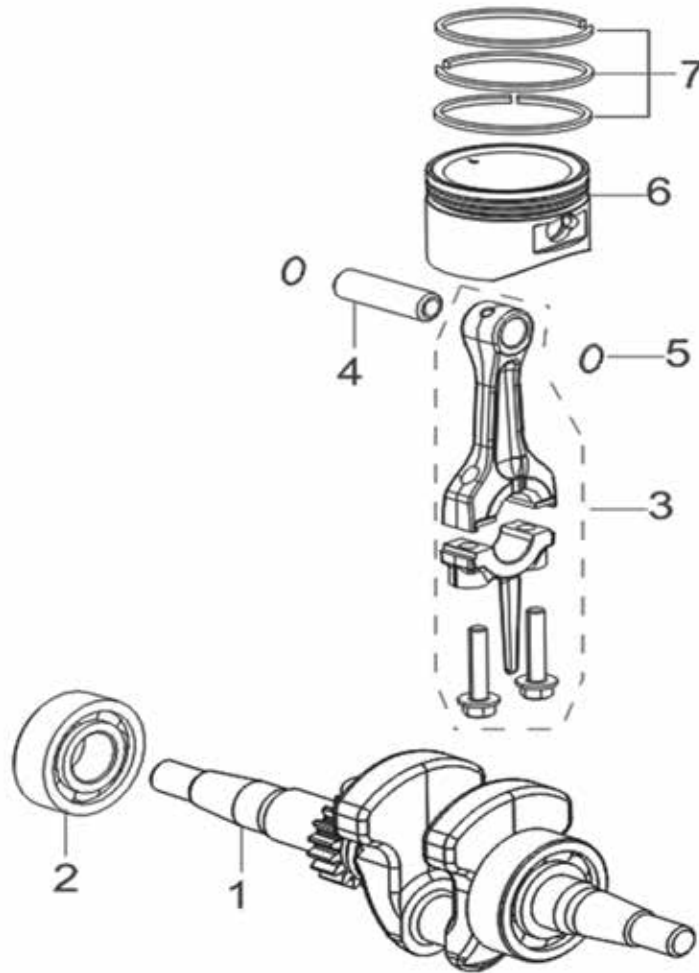
POS.	CODE	DESCRIPTION	QTY
E01-1	A13151	CRANKCASE	1
E01-2	A08769	STUD BOLT	2
E01-3	A13147	STUD BOLT	2
E01-4	A13142	CRANKCASE COVER	1
E01-5	A13132	OIL CHURNING GEAR	1
E01-6	A13129	OIL CHURNING GEAR SPINDLE	1
E01-7	A13127	ENGINE OIL SENSOR	1
E01-8	A08968	BOLT	2
E01-9	A09912	ENGINE OIL PLUG	1
E01-10	A08671	BOLT	6
E01-11	A13122	OIL PROTECTOR	1
E01-12	A08494	BOLT	1
E01-13	A13159	OIL SEAL	2
E01-14	A08902	POSITION PIN	2
E01-15	A13120	RUBBER JACKET	1
E01-16	A13086	END PLUG	1

**E03**



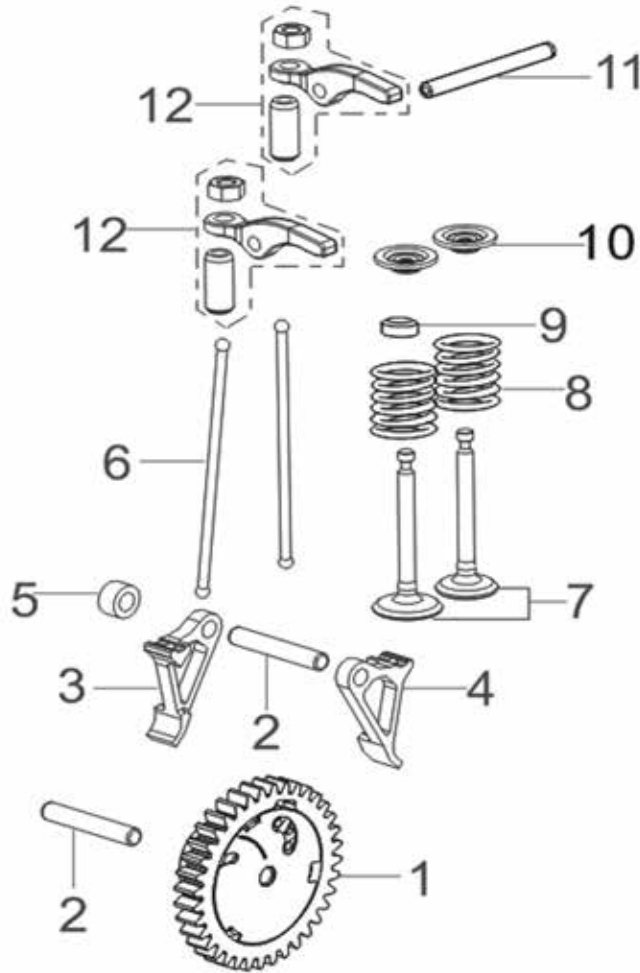
POS.	CODE	DESCRIPTION	QTY
E03-1	A08715	BOLT	4
E03-2	A13141	CYLINDER HEAD COVER	1
E03-3	A13162	BREATH GROOVE GASKET	1
E03-4	A13126	STOP ENGINE PIECE	1
E03-5	A13163	CYLINDER HEAD COVER GASKET	1
E03-6	A08770	SPARK PLUG	1
E03-7	A08771	CROSS-RECESSED PAN HEAD SCREW	4

# E04



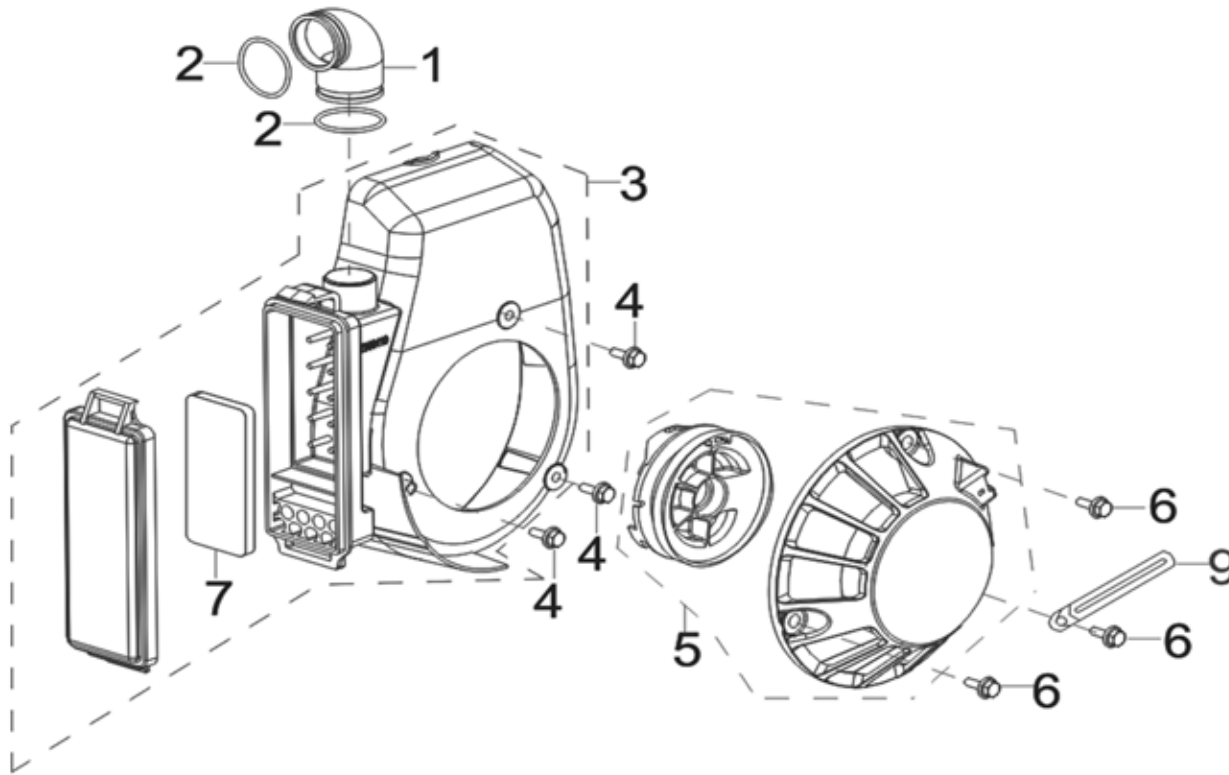
POS.	CODE	DESCRIPTION	QTY
E04-1	A13152	CRANKSHAFT ASSEMBLY	1
E04-2	A13149	DEEP GROOVE BALL BEARING	1
E04-3	A13146	CONNECTING ROD	1
E04-4	A13148	PISTON PIN	1
E04-5	A13130	PISTON PIN CLIP	2
E04-6	A13137	PISTON	1
E04-7	A13136	PISTON RING SET	1

# E06



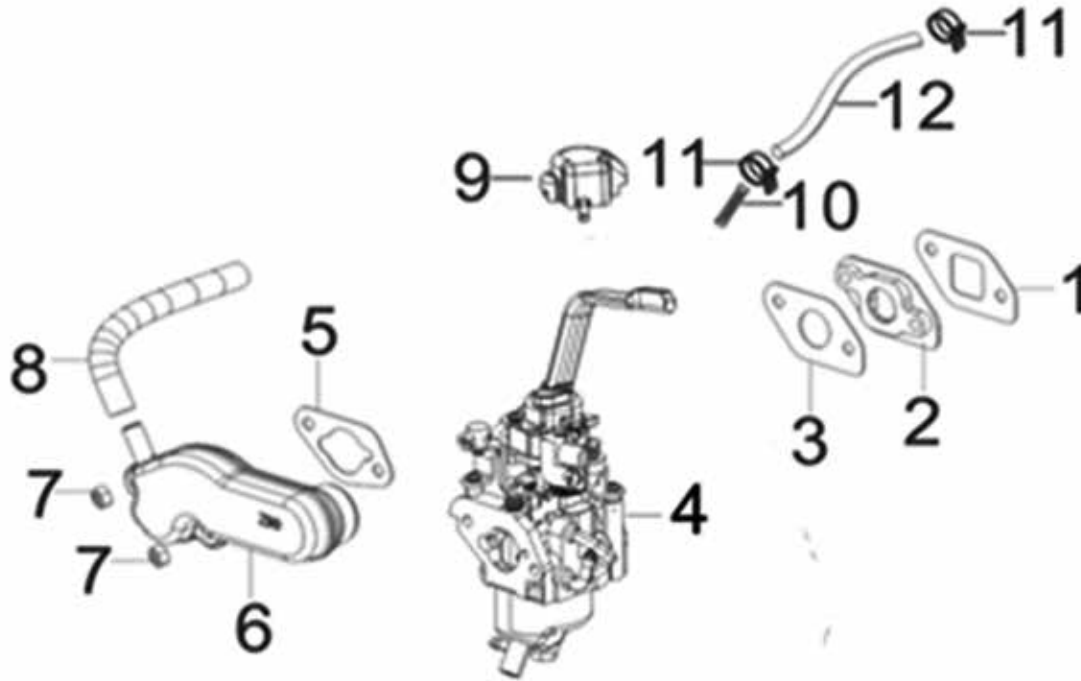
POS.	CODE	DESCRIPTION	QTY
E06-1	A13133	CAMSHAFT ASSEMBLY	1
E06-2	A13128	CAMSHAFT SPINDLE	2
E06-3	A13124	LOWER ROCKER	1
E06-4	A13123	LOWER ROCKER	1
E06-5	A13145	BUSH	1
E06-6	A13165	VALVE LIFTER	2
E06-7	A13150	VALVES SET	1
E06-8	A13135	VALVE SPRING	2
E06-9	A13158	GUIDE, SEAL	1
E06-10	A08372	VALVE SPRING SEAT	2
E06-11	A13139	VALVE ROCKER SHAFT	1
E06-12	A13138	VALVE ROCKER	2

**E07**



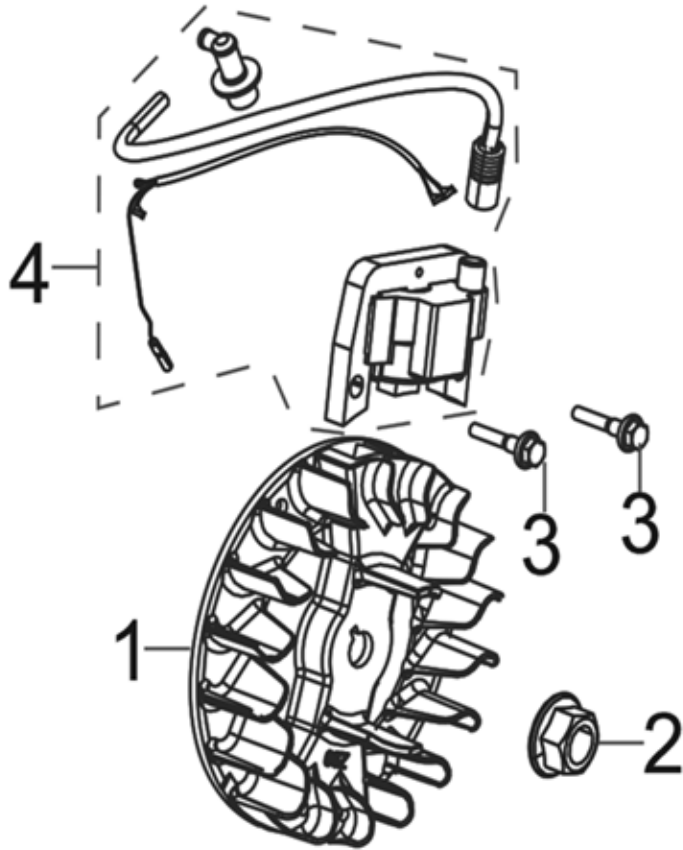
POS.	CODE	DESCRIPTION	QTY
E07-1	A13155	INTAKE TUBE	1
E07-2	A13121	O-RING	2
E07-3	A13134	SHROUD	1
E07-4	A13207	BOLT	3
E07-5	A13153	RECOIL STARTER	1
E07-6	A08715	BOLT	3
E07-7	A13160	AIR FILTER ELEMENT	1
E07-9	A08924	WIRE CLIP	1

**E09**



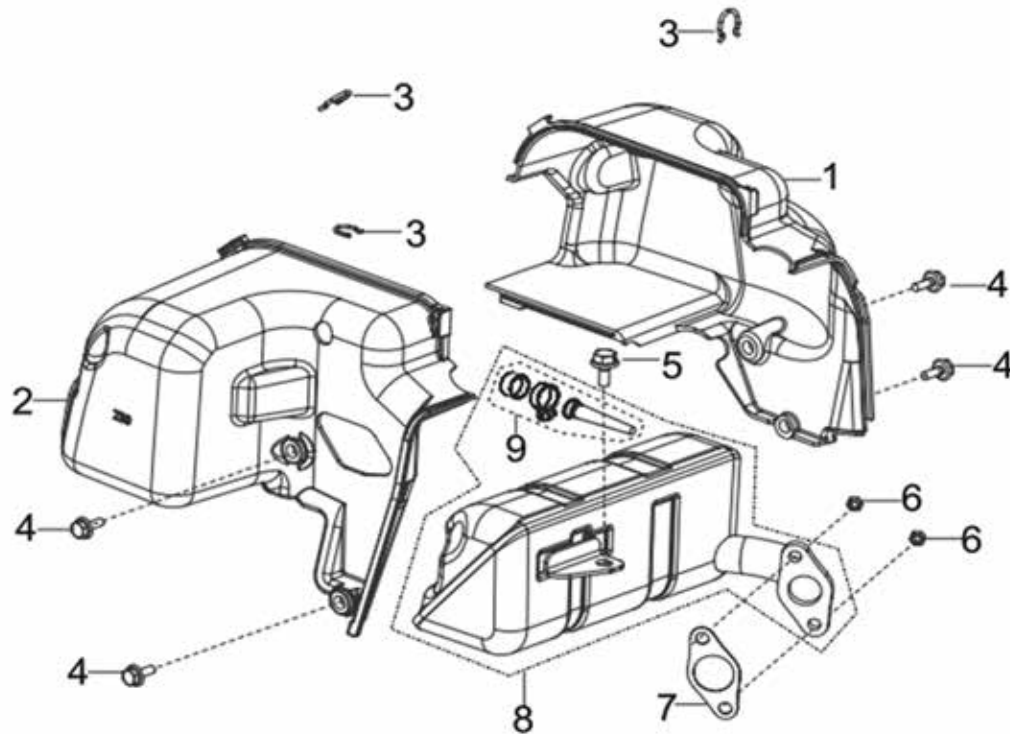
POS.	CODE	DESCRIPTION	QTY
E09-1	A13164	CARBURETOR SEAL GASKET	1
E09-2	A13144	CARBURETOR INSULATOR PLATE	1
E09-3	A13161	CARBURETOR INSULATOR GASKET	1
E09-4	A13143	CARBURETOR	1
E09-5	A13157	AIR CLEANER SEAL GASKET	1
E09-6	A13119	AIR CLEANER INTAKE DUCT	1
E09-7	A09032	HEXAGON NUT WITH FLANGE	2
E09-8	A13154	BREATHER TUBE	1
E09-9	A08466	CAP	1
E09-10	A08780	FUEL STRAINER	1
E09-11	A08889	PIPE CLAMP	2
E09-12	A13156	FUEL TUBE	1

# E10



POS.	CODE	DESCRIPTION	QTY
E10-1	A13131	SUBASSEMBLY	1
E10-2	A08751	HEXAGON NUT WITH FLANGE	1
E10-3	A08789	BOLT	2
E10-4	A13140	IGNITION COIL	1

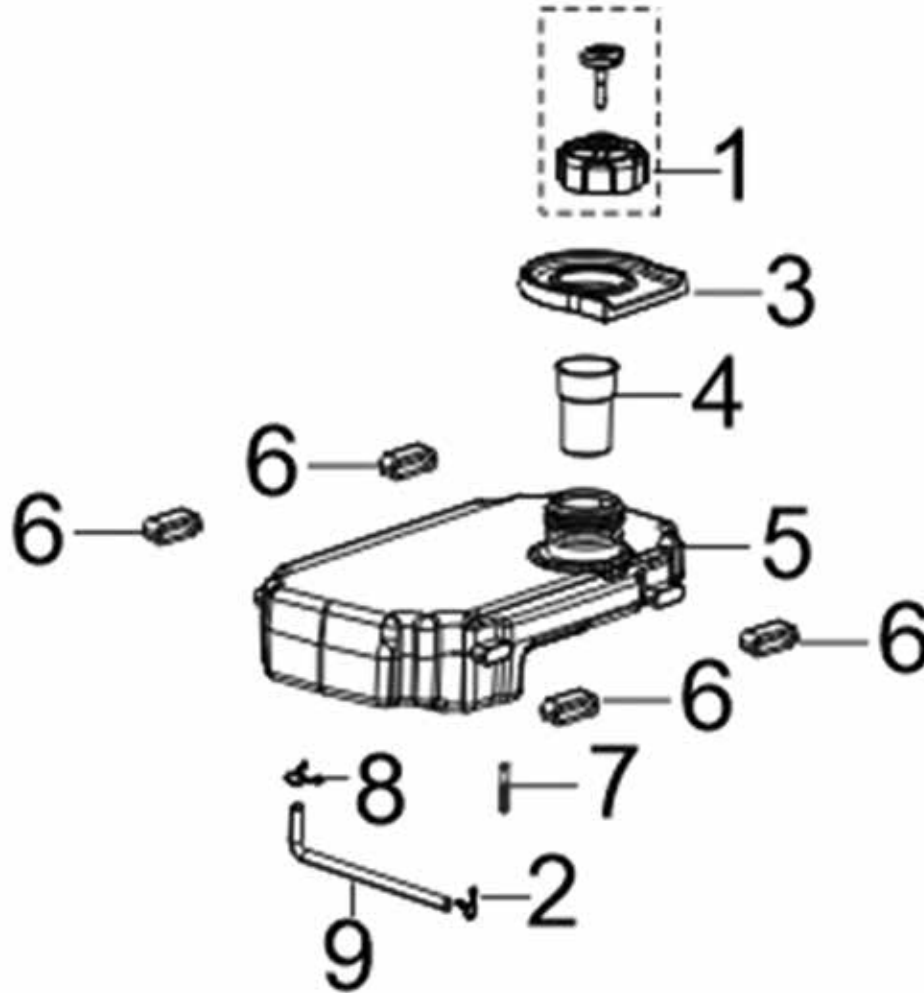
**F02**



POS.	CODE	DESCRIPTION	QTY
F02-1	A13125	MUFFLER SHROUD	1
F02-2	A13193	MUFFLER SHROUD	1
F02-3	A13169	COLLAR	3
F02-4	A08715	BOLT	4
F02-5	A08646	BOLT	1
F02-6	A08885	HEXAGON NUT	2
F02-7	A08795	EXHAUST OUTLET GASKET	1
F02-8	A13215	MUFFLER ASSEMBLY	1

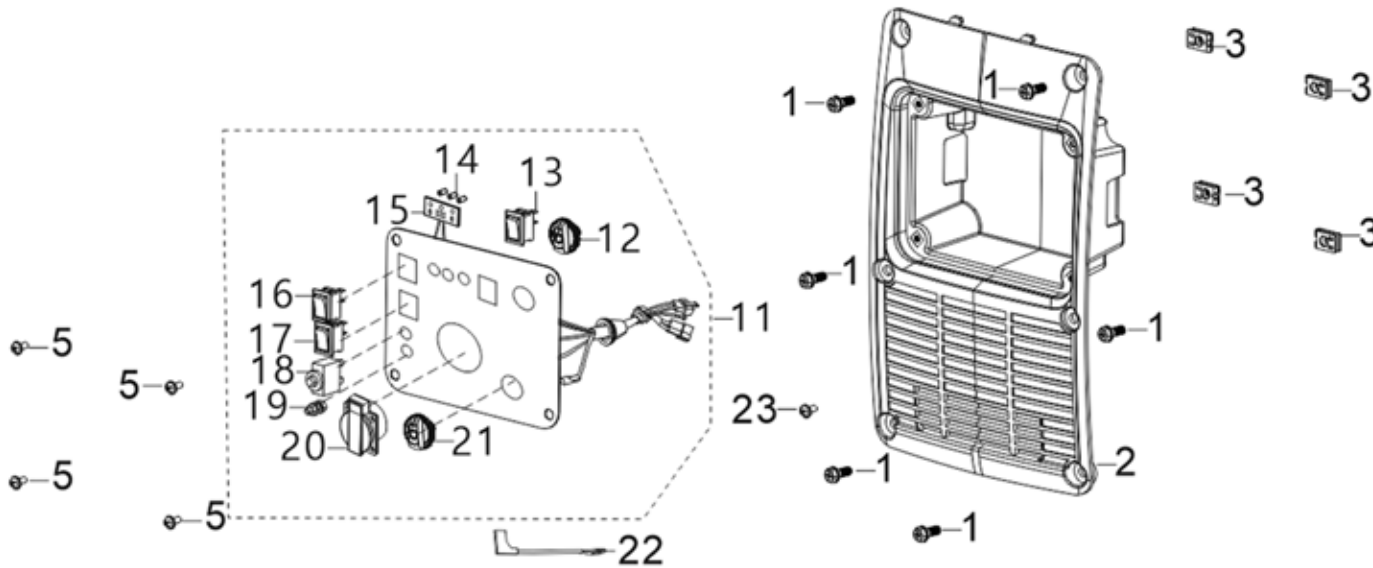


# F03



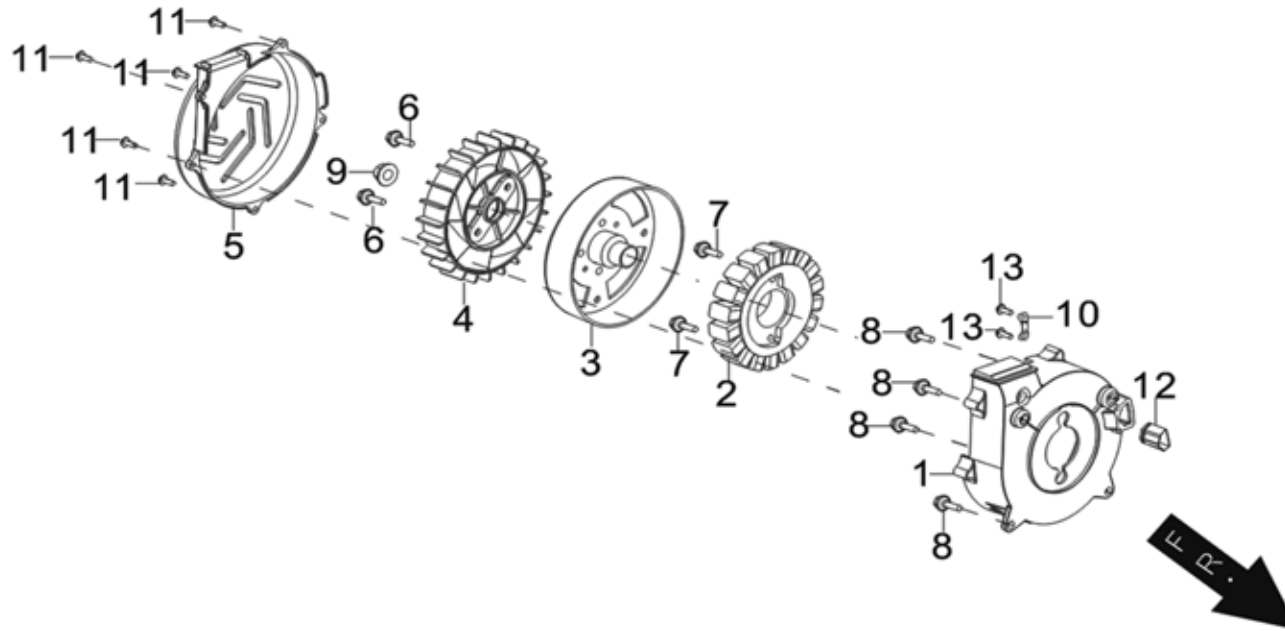
POS.	CODE	DESCRIPTION	QTY
F03-1	A13216	FUEL TANK COVER	1
F03-2	A08874	PIPE CLAMP	1
F03-3	A13194	FILLING OIL HOLE RUBBER SLEEVE	1
F03-4	A13223	FUEL STRAINER	2
F03-5	A13214	FUEL TANK	1
F03-6	A08800	BUSH	4
F03-7	A08801	STRAINER ELEMENT	1
F03-8	A09040	PIPE CLAMP	1
F03-9	A13222	FUEL TUBE	1

# F05



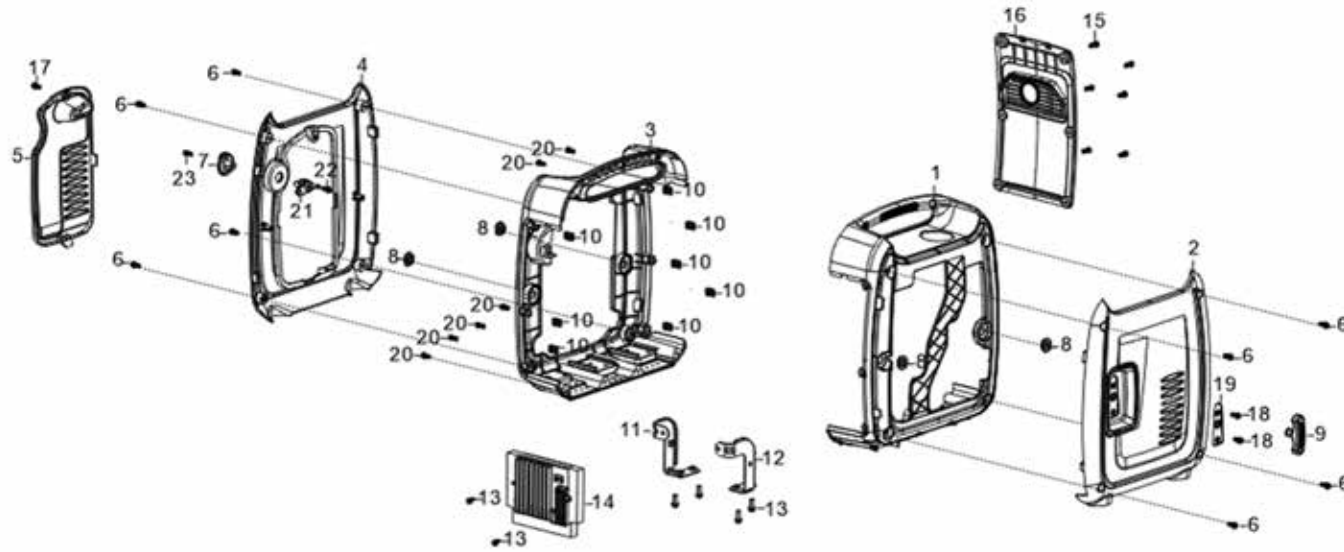
POS.	CODE	DESCRIPTION	QTY
F05-1	A08891	HEXAGONAL STEP BOLT	6
F05-2	A13191	PANEL SEAT	1
F05-3	A08915	CLIP NUT	4
F05-5	A08849	BOLT	4
F05-11	A13185	CONTROL PANEL	1
F05-12	A13198	TERMINAL	1
F05-13	A13211	SWITCH	1
F05-14	A13175	INDICATOR MOUNTING BASE	3
F05-15	A08821	STATUS DISPLAY BOARD ASSEMBLY	1
F05-16	A13212	SWITCH	1
F05-17	A08823	SWITCH	1
F05-18	A13167	RESETTING BUTTON	1
F05-19	A08827	GROUNDING TERMINAL	1
F05-20	A08529	POWER SUPPLY SOCKET	1
F05-21	A13199	TERMINAL	1
F05-22	A13174	GROUNDING	1
F05-23	A13205	CROSS-RECESSED PAN HEAD SCREW	1

# F06



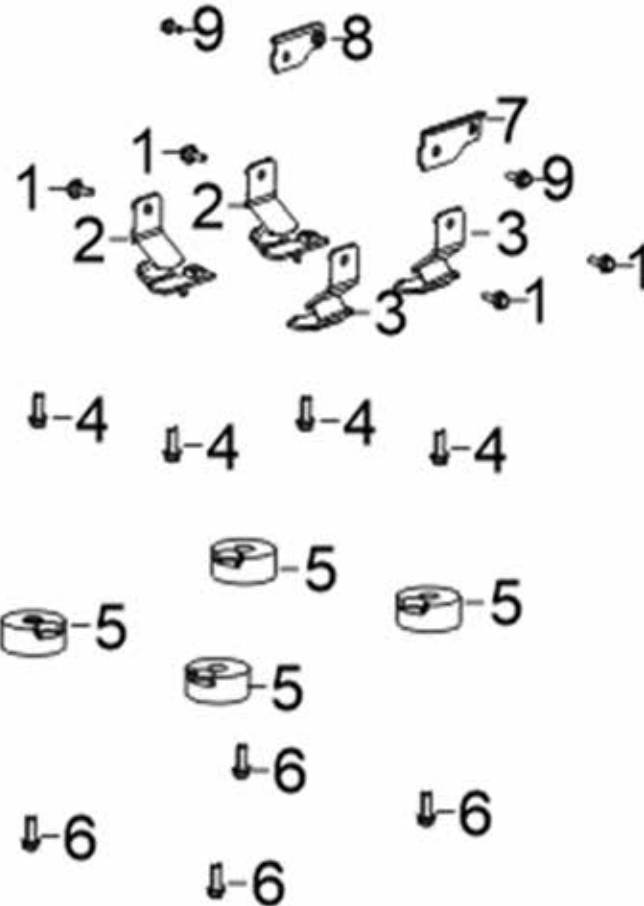
POS.	CODE	DESCRIPTION	QTY
F06-1	A13192	MOTOR SHROUD	1
F06-2	A13196	MAGNETO STATOR	1
F06-3	A13168	MAGNETO ROTOR CASE	1
F06-4	A13224	IMPELLER	1
F06-5	A13171	SHROUD UPPER COVER	1
F06-6	A08494	BOLT	2
F06-7	A13206	BOLT	2
F06-8	A13207	BOLT	4
F06-9	A08751	HEXAGON NUT WITH FLANGE	1
F06-10	A13197	TENSION DISC	1
F06-11	A13208	SELF-TAPPING SCREW	5
F06-12	A13189	RUBBER SLEEVE	1
F06-13	A08716	SCREW	2

# F31



POS.	CODE	DESCRIPTION	QTY
F31-1	A13204	LEFT HOUSING	1
F31-2	A13180	LEFT HOUSING COVER PLATE	1
F31-3	A13210	RIGHT HOUSING	1
F31-4	A13188	RIGHT APPEARANCE COVER PLATE	1
F31-5	A13179	LEFT ACCESS DOOR	1
F31-6	A08907	HEXAGONAL STEP BOLT	8
F31-7	A13217	KNOB	1
F31-8	A08842	FUEL TANK RUBBER SLEEVE	4
F31-9	A08850	RECOIL STRATER CABLE HANDLE	1
F31-10	A08915	CLIP NUT	8
F31-11	A13177	INVERTOR MOUNTING RACK	1
F31-12	A13178	INVERTOR MOUNTING RACK	1
F31-13	A08852	BOLT	6
F31-14	A13176	INVERTOR	1
F31-15	A08891	HEXAGONAL STEP BOLT	6
F31-16	A13225	MUFFLER SIDE COVER	1
F31-17	A13209	CROSS HEXAGON HEAD PAN ANTI-REVERSAL BOLT	1
F31-18	A08849	BOLT	2
F31-19	A08848	STARTING ROPE GUIDE	1
F31-20	A08907	HEXAGONAL STEP BOLT	6
F31-21	A08815	FUEL COCK	1
F31-22	A08895	BOLT	1
F31-23	A08808	CROSS-RECESSED PAN HEAD SCREW	1

# F32



POS.	CODE	DESCRIPTION	QTY
F32-1	A08968	BOLT	4
F32-2	A13172	ENGINE FRAME LEFT CUSHION	2
F32-3	A13173	ENGINE FRAME RIGHT CUSHION	2
F32-4	A08968	BOLT	4
F32-5	A13190	ENGINE FRAME SHOCK ABSORPTION SEAT	4
F32-6	A08496	BOLT	4
F32-7	A13183	MOUNTING BRACKET	1
F32-8	A13184	MOUNTING BRACKET	1
F32-9	A08968	BOLT	2