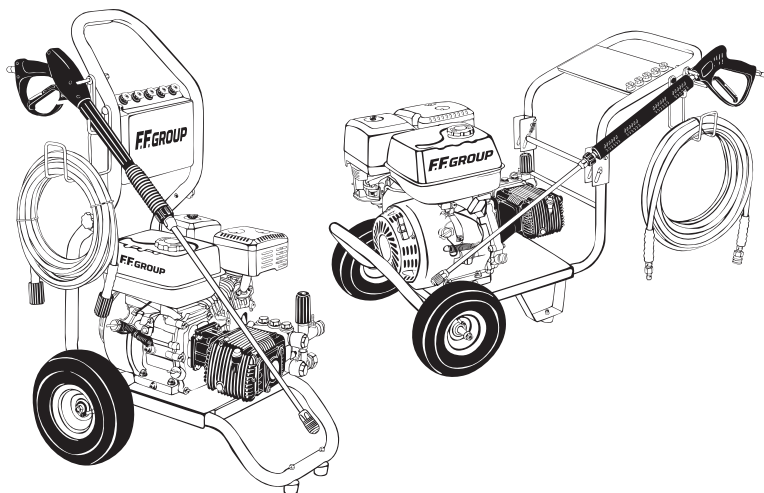


FFGROUP®



GHPW 220 PRO GHPW 270 PRO

EN

ORIGINAL INSTRUCTIONS

FR

NOTICE ORIGINALE

IT

ISTRUZIONI ORIGINALI

EL

ΠΡΩΤΟΤΥΠΟ ΟΔΗΓΙΩΝ ΧΡΗΣΗΣ

SR

ORIGINALNO UPUTSTVO ZA RAD

HR

ORIGINALNE UPUTE ZA RAD

RO

INSTRUCȚIUNI DE FOLOSIRE ORIGINALE

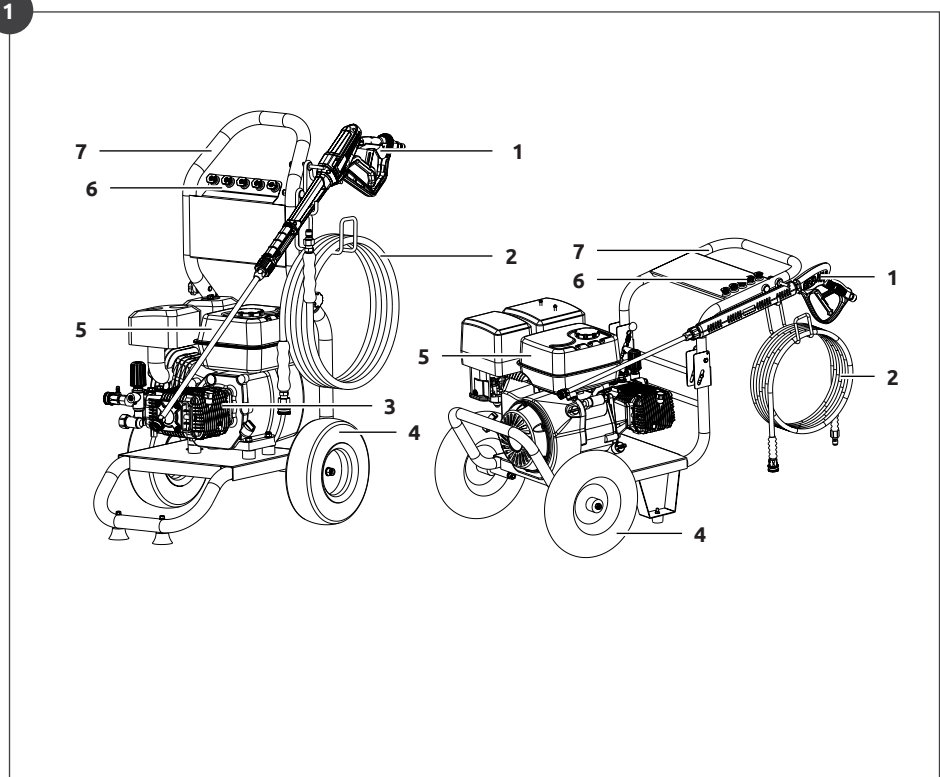
HU

EREDETI UTASÍTÁSOK

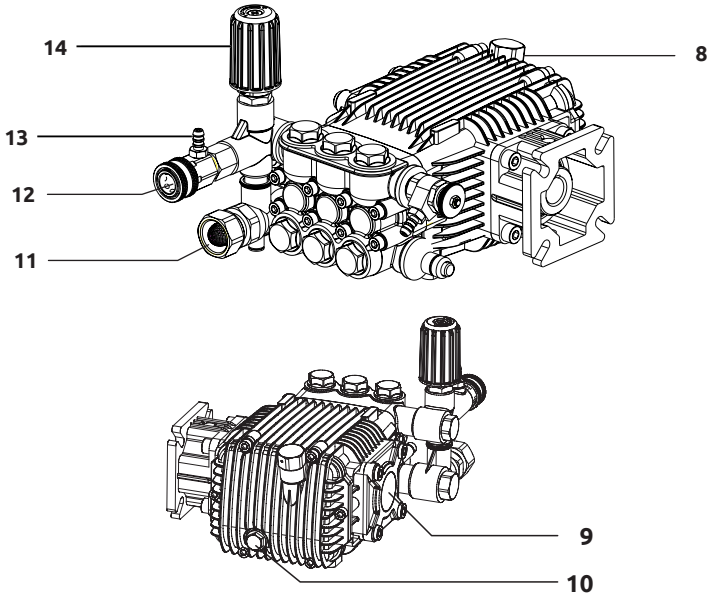
LT

ORIGINALIOS INSTRUKCIJOS

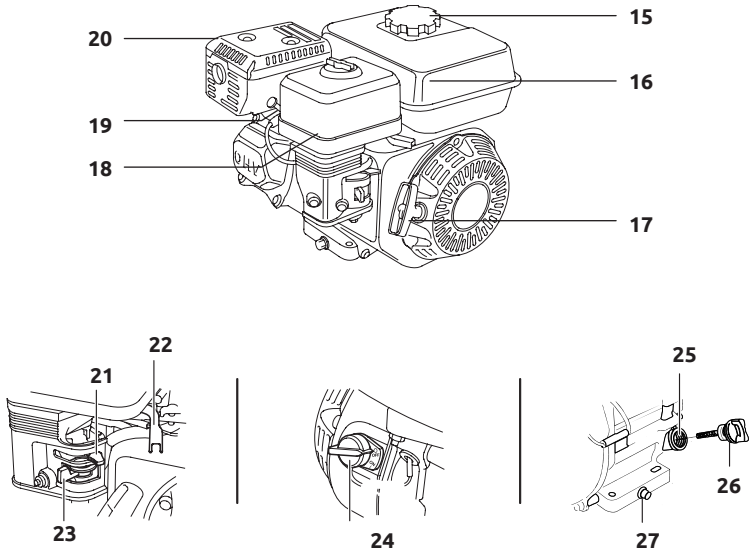
EXPLANATION OF SYMBOLS / EXPLICATION DES SYMBOLES / SPIEGAZIONE DEI SIMBOLI / ΕΠΕΞΗΓΗΣΗ ΣΥΜΒΟΛΩΝ / OBJAŠNJENJE SIMBOLA / OBJAŠNJENJE SIMBOLA / EXPLICAREA SIMBOLURILOR / SZIMBÓLUMOK JELENTÉSE / SIMBOLIŲ PAAIŠKINIMAS		12
EN	PETROL HIGH PRESSURE WASHER	16
FR	NETTOYEUR À HAUTE PRESSION À ESSENCE	22
IT	IDROPULTRICE ALTA PRESSIONE A BENZINA	28
EL	ΠΛΥΣΤΙΚΟ ΜΗΧΑΝΗΜΑ ΥΨΗΛΗΣ ΠΙΕΣΗΣ ΒΕΝΖΙΝΗΣ	35
SR	BENZINSKI PERAČ POD PRITISKOM	42
HR	MOTORNI VISOKOTLAČNI PERAČ	48
RO	MAŠINĂ DE SPĂLAT CU PRESIUNE CU MOTOR PE BENZINA	54
HU	BENZINMOTOROS NAGYNYOMÁSÚ MOSÓ	60
LT	BENZININĖ AUKŠTO SLĖGIO ŠALTO VANDENS PLOVYKLA	67
TECHNICAL DATA / DONNÉES TECHNIQUES / DATI TECNICI / ΤΕΧΝΙΚΑ ΧΑΡΑΚΤΗΡΙΣΤΙΚΑ / TEHNIČKI PODACI / TEHNIČKI PODACI / DATE TEHNICE / MŰSZAKI ADATOK / TECHNINIAI DUOMENYS		73
CE		82



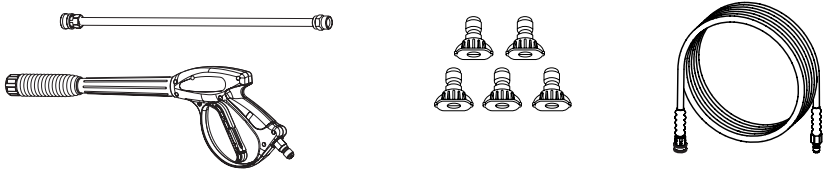
2



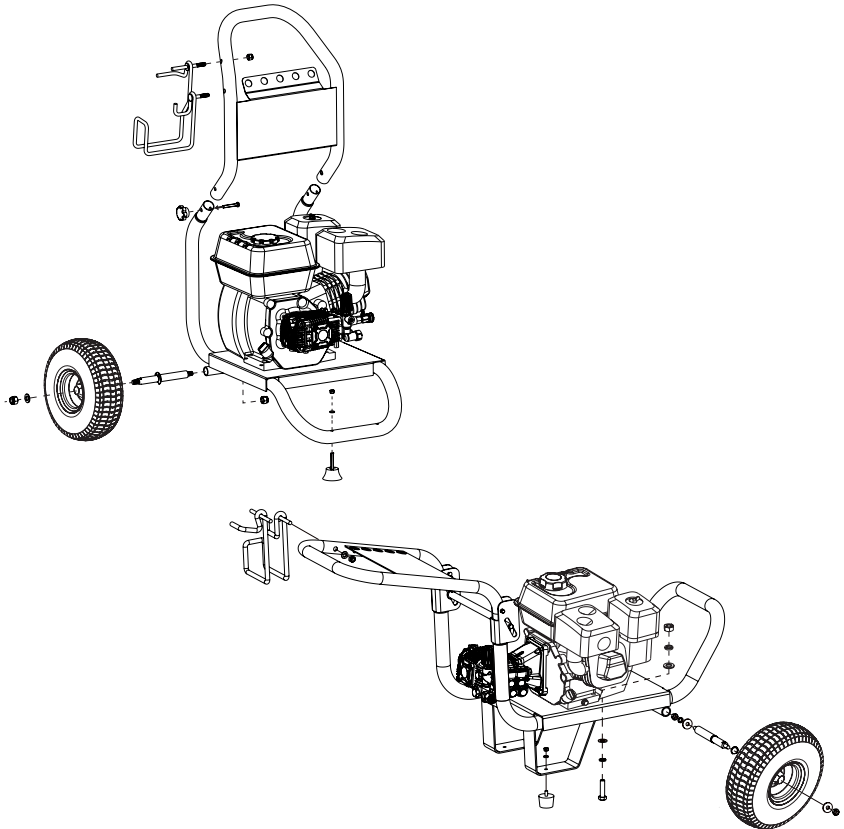
3



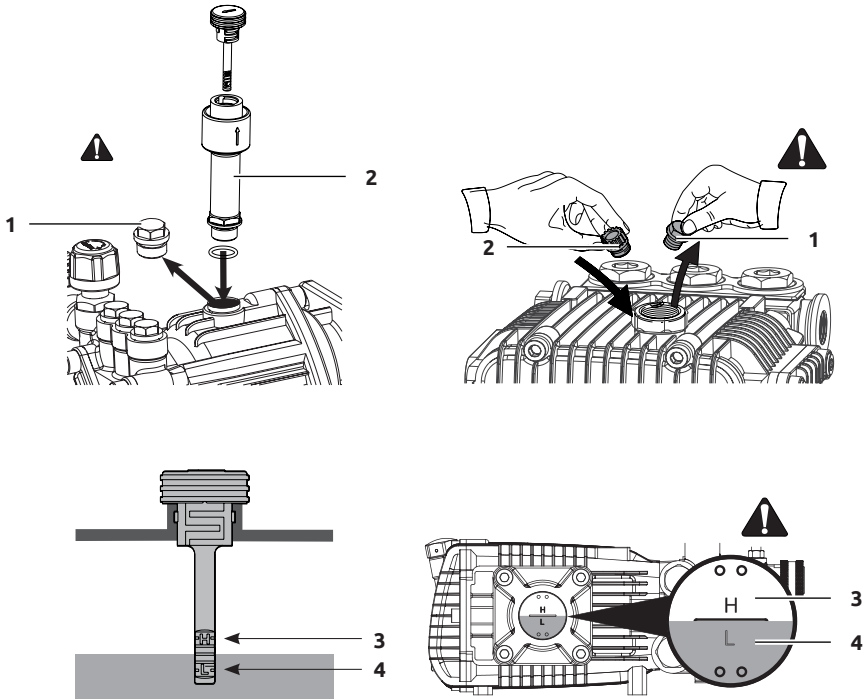
4



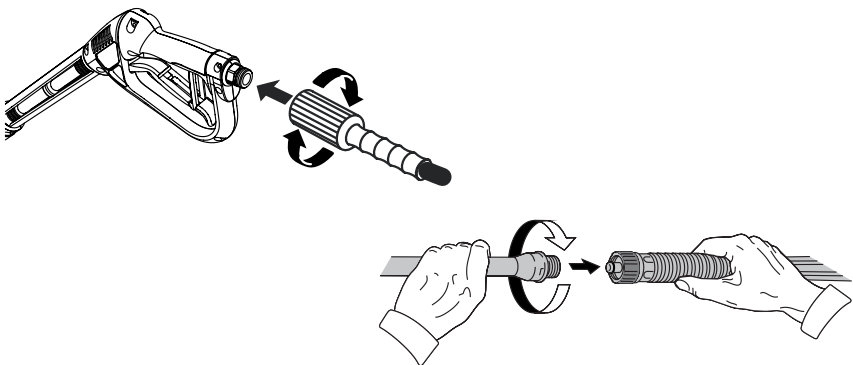
5



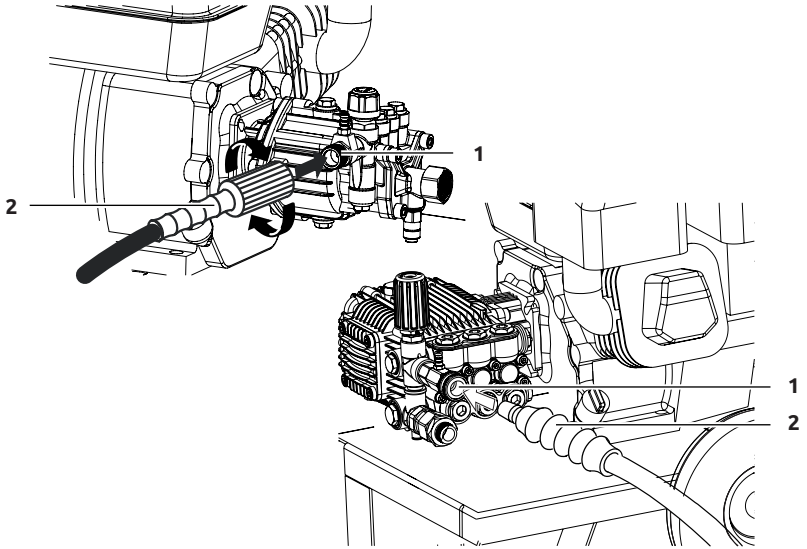
6



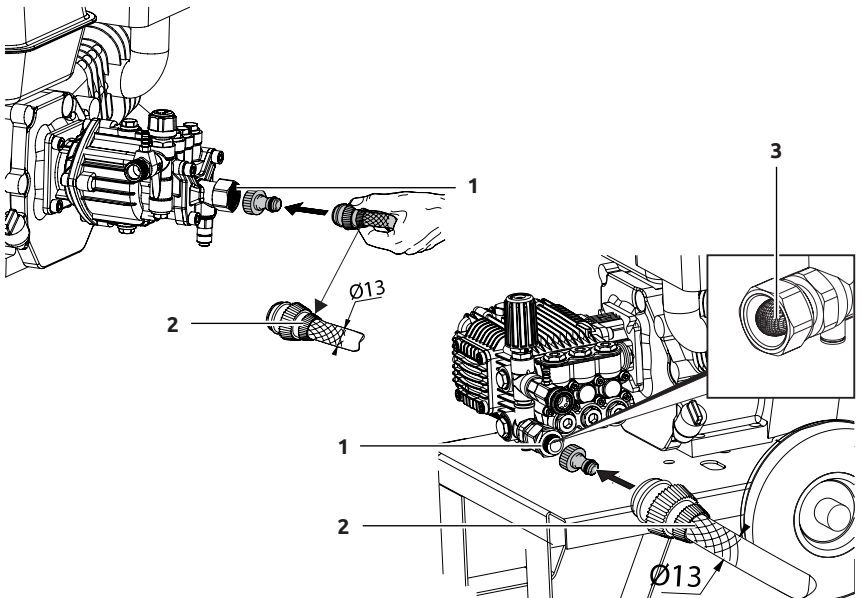
7



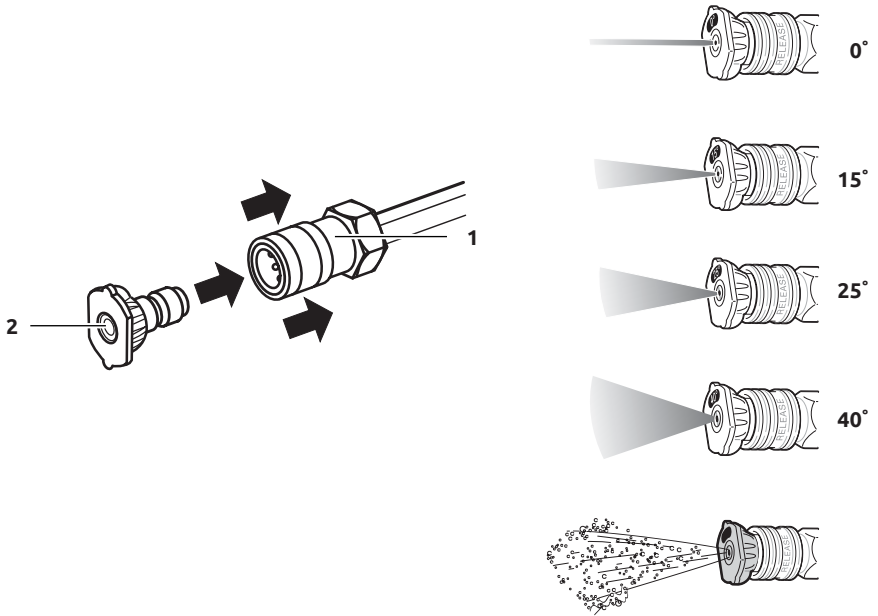
8



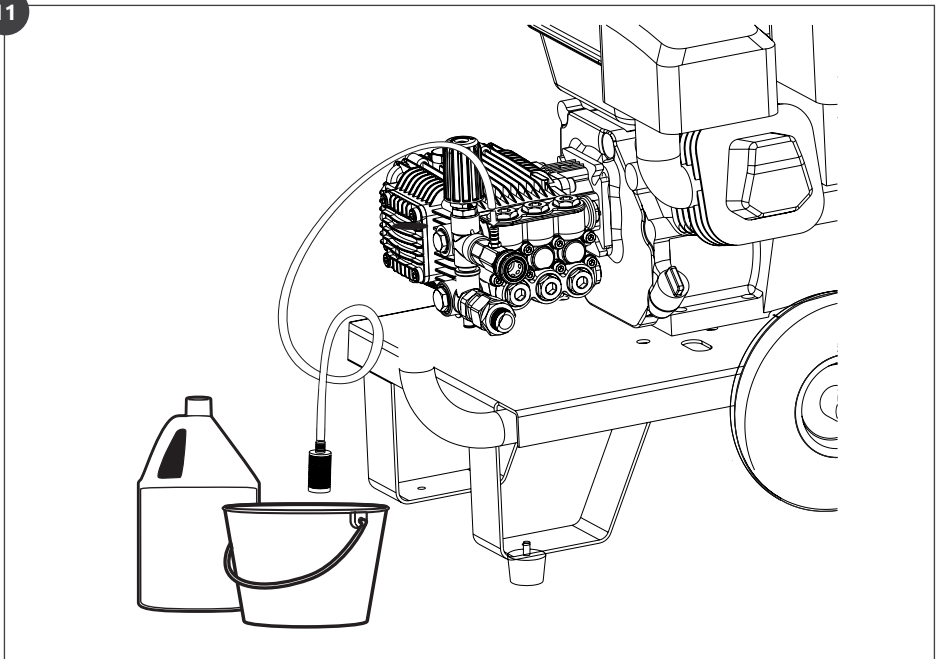
9



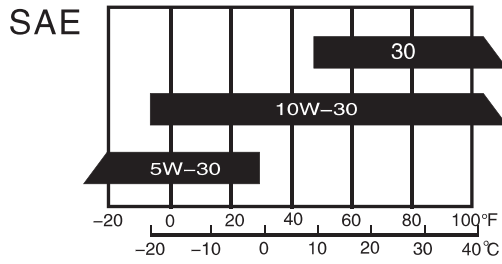
10



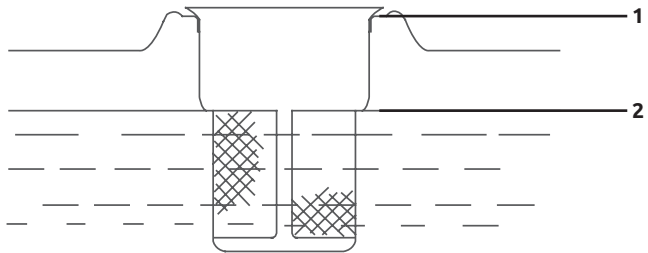
11



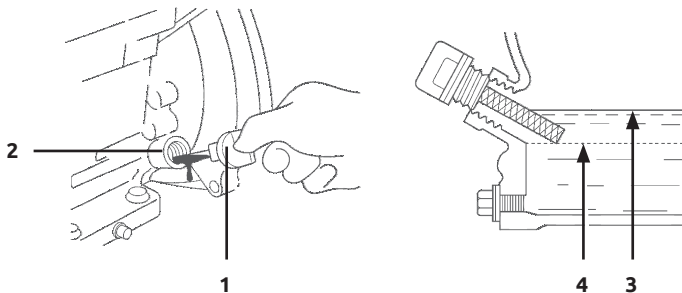
12



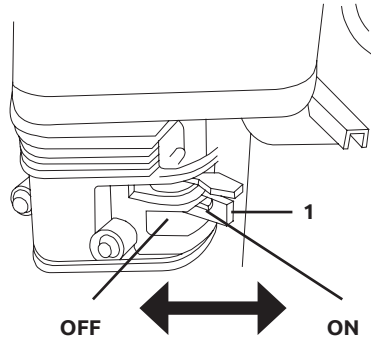
13



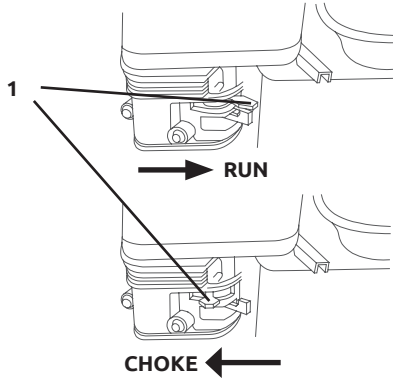
14



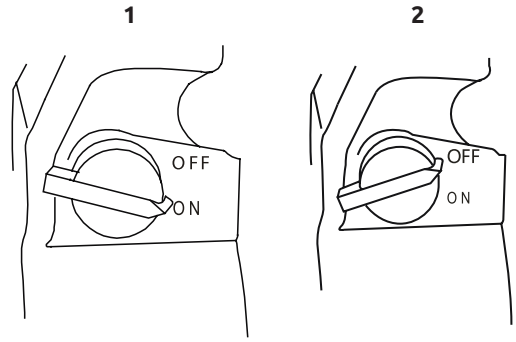
15



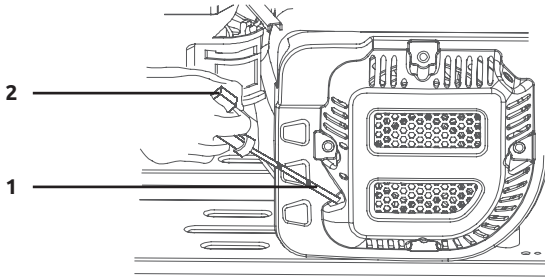
16



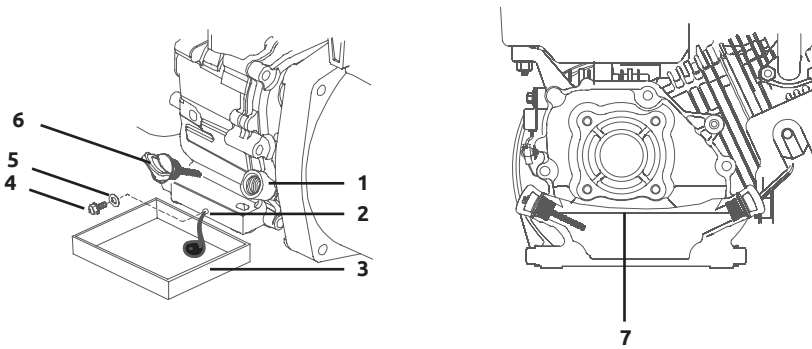
17



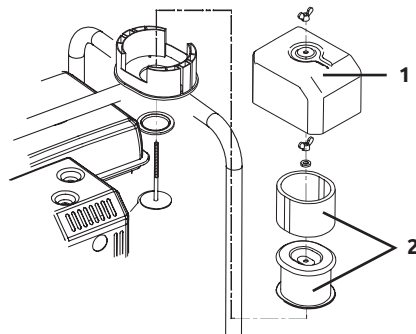
18



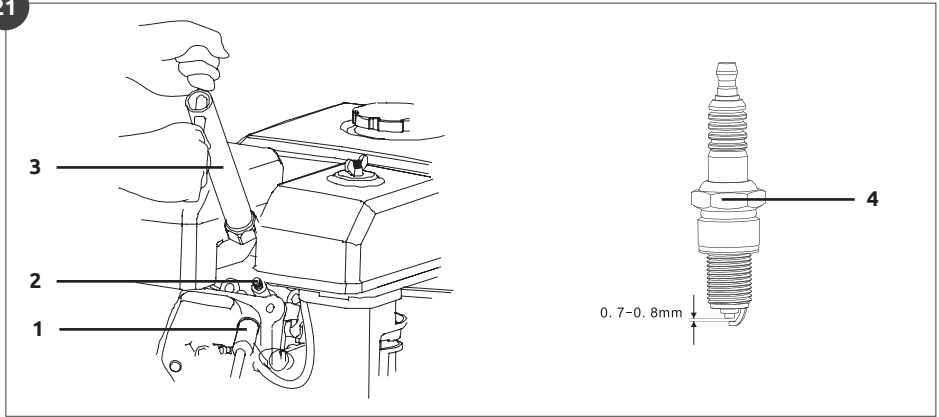
19



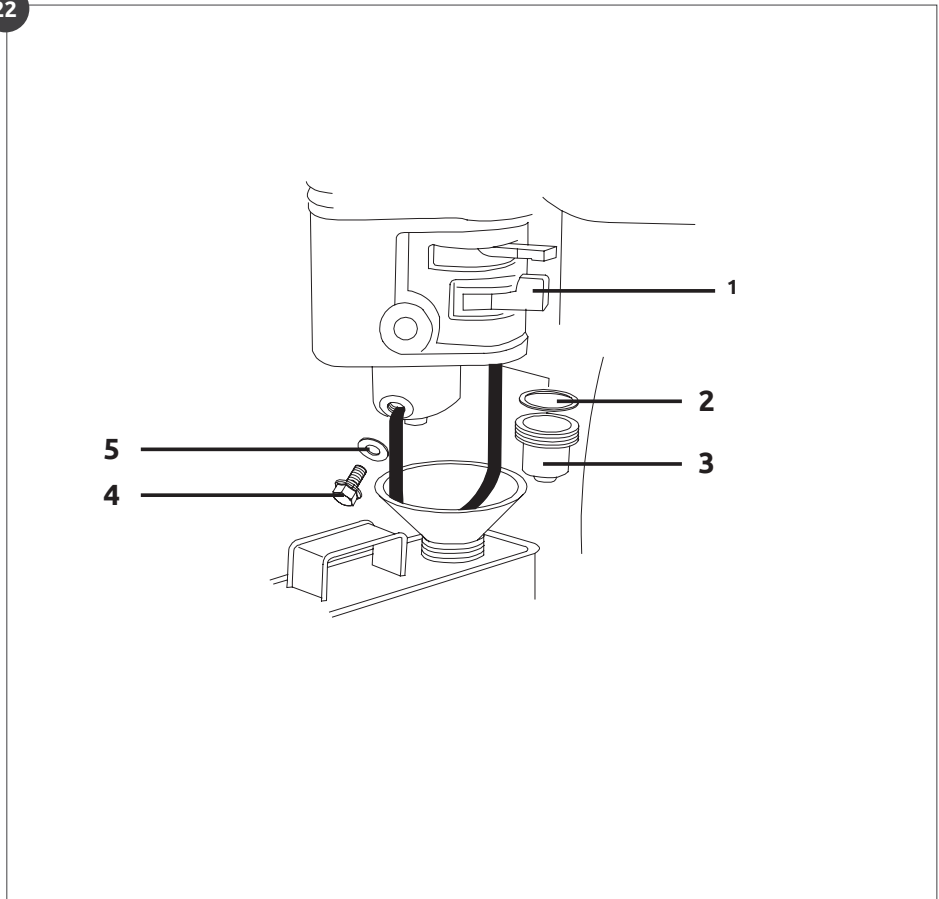
20










21





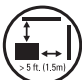




22



	ENGLISH	FRANÇAIS	ITALIANO	ΕΛΛΗΝΙΚΑ
	EXPLANATION OF SYMBOLS	EXPLICATION DES SYMBOLES	SPIEGAZIONE DEI SIMBOLI	ΕΠΕΞΗΓΗΣΗ ΣΥΜΒΟΛΩΝ
	Always read and understand the instructions before operating	Toujours lire et comprendre les instructions avant d'opérer	Leggere e comprendere sempre le istruzioni prima di operare	Διαβάστε και κατανοήστε τις οδηγίες χρήσης πάντα πριν από τη λειτουργία
	Always wear appropriate eye and hearing protection when operating	Portez toujours une protection oculaire et auditive appropriée lors de l'utilisation	Indossare sempre protezioni adeguate per gli occhi e l'udito durante il funzionamento	Να χρησιμοποιείτε πάντα κατάλληλη προστασία ματιών και ακοής κατά τη λειτουργία
	Always wear appropriate protective breathing mask when operating	Portez toujours un masque respiratoire protecteur approprié lors de l'opération	Indossare sempre un'adeguata maschera protettiva durante il funzionamento	Να χρησιμοποιείτε πάντα κατάλληλη μάσκα αναπνοής κατά τη λειτουργία
	Always wear appropriate hand protection when operating	Portez toujours une protection appropriée pour les mains lors de l'exploitation	Indossare sempre la protezione della mano appropriata quando si opera	Να χρησιμοποιείτε πάντα κατάλληλη προστασία χεριών κατά τη λειτουργία
	Important, danger, warning, or caution	Important, danger ou avertissement	Importante, pericolo o avviso	Σημαντικό, κίνδυνος ή προειδοποίηση
	Risk of fire	Risque de feu	Rischio di incendio	Κίνδυνος φωτιάς
	Risk of burn injury or fire, due to hot surface	Risque de brûlure	Rischio di ustioni	Κίνδυνος εγκαύματος ή φωτιάς, λόγω καυτής επιφάνειας

SRPSKI	HRVATSKI	ROMÂNĂ	MAGYAR	LIETUVIŲ K.
OBJAŠNJENJE SIMBOLA	OBJAŠNJENJE SIMBOLA	EXPLICAREA SIMBOLURILOR	SZIMBÓLUMOK JELENTÉSE	SIMBOLIŲ PAAIŠKINIMAS
Uvek pročitajte i razumejte uputstva pre rada	Uvijek pročitajte i shvatite upute prije operacije	Citiți și înțelegeți întotdeauna instrucțiunile înainte de a utiliza	Használat előtt mindig olvassa el és értse meg az utasításokat	Prieš pradėdami dirbti, visada perskaitykite ir supraskite instrukcijas
Uvek nosite odgovarajuću zaštitu za oči i sluh prilikom rada	Tijekom rada uvijek nosite odgovarajuću zaštitu za oči i sluh	Purtați întotdeauna protecție adecvată pentru ochi și auz atunci când operați	Munka közben mindig viseljen megfelelő szem- és hallásvédőt	Dirbdami visada dėvėkite tinkamas akių ir klausos apsaugos priemones
Uvek nosite odgovarajuću zaštitnu masku za disanje prilikom rada	Prilikom rada uvijek nosite odgovarajuću zaštitnu masku za disanje	Purtați întotdeauna o mască de respirație de protecție adecvată în timpul	Munka közben mindig viseljen megfelelő légzőmaszkot	Dirbdami visada dėvėkite tinkamą apsauginę kvėpavimo kaukę
Uvek nosite odgovarajuću zaštitu ruku kada radila	Prilikom rada uvijek nosite odgovarajuću zaštitu ruku	Purtați întotdeauna o protecție adecvată a mâinii în timpul funcționării	Munka közben mindig viseljen megfelelő kézvédőt	Dirbdami visada dėvėkite tinkamą rankų apsaugą
Važno, opasnost ili upozorenje	Važno, opasnost ili upozorenje	Important, pericol sau avertisment	Fontos, veszély, figyelmeztetés vagy óvatosság	Svarbu, pavojus, įspėjimas ar atsargumas
Rizik od požara	Opasnost od požara	Risc de incendiu	Tűzveszély	Gaisro pavojus
Rizik od opekotina	Rizik od opeklina	Risc de arsură	Égési sérülés vagy tűz veszélye a forró felület miatt	Nudegimo sužalojimo ar gaisro rizika dėl karšto paviršiaus

	ENGLISH	FRANÇAIS	ITALIANO	ΕΛΛΗΝΙΚΑ
	EXPLANATION OF SYMBOLS	EXPLICATION DES SYMBOLES	SPIEGAZIONE DEI SIMBOLI	ΕΠΕΞΗΓΗΣΗ ΣΥΜΒΟΛΩΝ
	Risk of poisoning, due to toxic gases	Risque d'empoisonnement, dû aux gaz toxiques	Rischio di avvelenamento, a causa di gas tossici	Κίνδυνος δηλητηρίασης, λόγω τοξικών αερίων
	Never direct output towards people, animals, nearby equipment that could be damaged or the unit itself	Ne jamais diriger la sortie vers des personnes, des animaux, des équipements à proximité qui pourraient être endommagés ou l'unité elle-même	Non dirigere mai l'uscita verso persone, animali, apparecchiature vicine che potrebbero essere danneggiate o l'unità stessa	Ποτέ μην κατευθύνετε την έξοδο προς ανθρώπους, ζώα, κοντινό εξοπλισμό που μπορεί να υποστεί ζημιά ή την ίδια τη μονάδα
	Never use on the drinking water supply network without a system separator, since water is not safe for consumption	Ne jamais utiliser sur le réseau d'alimentation en eau potable sans séparateur de système, car l'eau n'est pas propre à la consommation	Non utilizzare mai sulla rete di alimentazione dell'acqua potabile senza un separatore di sistema, poiché l'acqua non è sicura per il consumo	Μην χρησιμοποιείτε ποτέ στο δίκτυο παροχής πόσιμου νερού χωρίς διαχωριστή συστήματος, καθώς το νερό δεν είναι ασφαλές για κατανάλωση
	Do not place or operate on inclined surfaces	Ne placez pas ou ne fonctionnez pas sur des surfaces inclinées	Non posizionare o operare su superfici inclinate	Μην τοποθετείτε ή λειτουργείτε σε κεκλιμένες επιφάνειες
	Operate at least 1,5m away from nearby people, animals, objects or buildings	Opérez à au moins 1,5 m des personnes, animaux, objets ou bâtiments à proximité	Operare ad almeno 1,5 m di distanza da persone, animali, oggetti o edifici vicini	Λειτουργήστε τουλάχιστον 1,5m μακριά από ανθρώπους, ζώα, αντικείμενα ή κτίρια
	Must be recycled and should always be disposed in accordance with applicable directives	Doit être recyclé et doit toujours être éliminé conformément aux directives applicables	Deve essere riciclato e deve essere sempre smaltito secondo le direttive applicabili	Πρέπει να ανακυκλώνεται και πρέπει πάντα να απορρίπτεται σύμφωνα με τις ισχύουσες οδηγίες
	Complies with applicable safety directives and relative standards	Conforme aux directives de sécurité applicables et aux normes relatives	Conforme alle direttive di sicurezza applicabili e alle relative norme	Συμμορφώνεται με τις ισχύουσες οδηγίες ασφαλείας και τα σχετικά πρότυπα

SRPSKI	HRVATSKI	ROMÂNĂ	MAGYAR	LIETUVIŲ K.
OBJAŠNJENJE SIMBOLA	OBJAŠNJENJE SIMBOLA	EXPLICAREA SIMBOLURILOR	SZIMBÓLUMOK JELENTÉSE	SIMBOLIŲ PAAIŠKINIMAS
Rizik od trovanja, zbog otrovnih gasova	Opasnost od trovanja, zbog otrovnih plinova	Risc de otrăvire, din cauza gazelor toxice	Mérgezésveszély a mérgező gázok miatt	Apsinuodijimo rizika dėl toksiškų dujų
Nikada ne usmeravaj izlaz prema ljudima, životinjama, obližnjaj opremi koja može biti oštećena ili samoj jedinici	Nikada nemojte usmjeravati izlaz prema ljudima, životinjama, obližnjaj opremi koja bi se mogla oštetiti ili samoj jedinici	Nu direcționați niciodată ieșirea către oameni, animale, echipamente din apropiere care ar putea fi deteriorate sau unitatea în sine	Soha ne irányítsa a kimenetet emberekre, állatokra, közeli berendezésekre, amelyek megsérülhetnek, vagy magára az egységre	Niekada nekreipkite išėjimo į žmones, gyvūnus, netoliese esančių įrangą, kuri gali būti pažeista, ar patį įrenginį
Nikada se ne koristite na mreži za snabdevanje pijačom vodom bez znaka za razdvajanje sistema, pošto voda nije bezbedna za potrošnju	Nikada nemojte koristiti na mreži za opskrbu pitkom vodom bez separatora, jer voda nije sigurna za potrošnju	Nu utilizați niciodată pe rețeaua de alimentare cu apă potabilă fără un separator de sistem, deoarece apa nu este sigură pentru consum	Soha ne használja az ivóvízhálazaton rendszerleválasztó nélkül, mert a víz fogyasztása nem biztonságos	Niekada nenaudokite geriamojo vandens tiekimo tinkle be sistemos separatoriaus, nes vanduo nėra saugus vartoti
Ne postavite ili operišite na sklone površine	Nemojte stavljati ili raditi na nagnutim površinama	Nu așezați și nu acționați pe suprafețe înclinate	Ne helyezze és ne működtesse ferde felületeken	Nedėkite ir nedirbkite ant pasvirusių paviršių
Operišu najmanje 1,5 metara od obližnjih ljudi, životinja, objekata ili zgrada	Radite na udaljenosti od najmanje 1,5 m od ljudi, životinja, objekata ili zgrada u blizini	Operați la cel puțin 1,5 m distanță de persoane, animale, obiecte sau clădiri din apropiere	A közeli emberek-től, állatoktól, tárggyaktól vagy épületektől legalább 1,5 m távolságra működjön	Valdykite bent 1,5 m atstumu nuo netoliese esančių žmonių, gyvūnų, objektų ar pastatų
Mora se reciklirati i uvek ga treba raspolagati u skladu sa važećim direktivama	Mora se reciklirati i uvijek zbrinuti u skladu s važećim direktivama	Trebuie reciclat și trebuie întotdeauna eliminat în conformitate cu directivele aplicabile	Újrahasznosítani kell, és mindig a vonatkozó irányelveknek megfelelően kell ártalmatlanítani	Turi būti perdirbtas ir visada turi būti šalinamas pagal taikomas direktyvas
U skladu sa važećim bezbednosnim direktivama i relativnim standardima	U skladu s primjenjivim sigurnosnim direktivama i relativnim standardima	Respectă directivele de siguranță aplicabile și standardele aferente	Megfelel a vonatkozó biztonsági irányelveknek és a vonatkozó szabványoknak	Atitinka taikomas saugos direktyvas ir santykinis standartus

ENGLISH

GENERAL SAFETY WARNINGS

Read and understand this owner's manual before operating this product. You can help prevent accidents by being familiar with your product's controls and by observing safe operating procedures and safety signs. Always use your common sense to avoid all situations considered beyond your capability. Do not use while you are tired or under the influence of drugs, alcohol or any other medication. Keep bystanders and animals that could be hurt, as well as items that could be damaged away, while operating. Never allow children or people unfamiliar with these instructions to use the product. Local laws may restrict the minimum age of the operator. Bear in mind that the operator or user is responsible for accidents or unexpected events occurring to other people, animals or their property. Do not expose the product to excessive moisture, dust, dirt or corrosive vapors. Do not mount equipment or accessories on the machine not foreseen or approved by the manufacturer. Never attempt to modify the product. Non-authorized modifications or accessories can result in serious personal injury or the death of the operator or others. Consult your authorized dealer for disassembly and service, not covered in this manual. If something breaks or an accident occurs while working, turn off the machine immediately and move it away to prevent further damage. In case foreign body has entered the machine, stop it immediately, inspect it for any damage and make repairs before starting it again.

PROTECTIVE EQUIPMENT

Make sure that you use appropriate and certified protective equipment when operating the unit. Always wear clothing which does not hamper movements, protective gloves, goggles, half-mask respirator, ear protection and anti-shear safety boots with non-slip soles. Never wear scarves, necklaces or any hanging or flapping accessory and clothing that could catch in the machine. Tie up your hair if it is long.

POISON HAZARDS

Operate only outdoors and in well ventilated areas. When running, the engine exhausts poisonous carbon monoxide, an odorless and colorless gas. Inhaling carbon monoxide will cause nausea, fainting or death. Do not operate the machine in a confined space where dangerous carbon monoxide fumes can develop, or near open windows. Fuel and oil are extremely toxic. Do not inhale fuel evaporative gases and always wear appropriate protective equipment when handling them. Always store fuel and oil in approved containers and dispose responsibly.

FIRE AND BURN HAZARDS

Some parts of the machine get hot enough to ignite flammable materials. Do not use in areas with high risk of fire. Do not direct the silencer and therefore the exhaust fumes towards flammable materials. Some parts of the machine get hot enough to cause

burn damage. Pay attention not to touch them in order to avoid getting burned. Let the machine cool before storing it.

Gasoline and oil are flammable. Follow the instructions provided by each manufacturer before use. Potential sources of fire or spark should be kept away at all times. Do not smoke near the machine or any fuel and oil. Refuel only outdoors, in a well-ventilated area, with the engine shut off. Slowly open the fuel tank to allow the pressure inside to decrease gradually. Do not overfill the fuel tank. Make sure that there is some distance between any spare gasoline tank and the unit, to prevent unnecessary danger. Make sure that any and all spilled fuel and oil has been wiped off before starting the engine. If a fire occurs, use an appropriate fire extinguisher especially designed for oil and gasoline fire.

CATEGORY SAFETY WARNINGS

SAFE OPERATION

All of the operational levers of the machine must move from one position to the other easily and must not need forcing. The electric cables and in particular the spark plug cable must be in perfect condition to avoid the generation of any sparks and the spark plug cap must be correctly fitted on the spark plug. The handgrips and protection devices must be clean and dry as well as securely fastened to the machine. Always check for any objects that may block the air intake screen before beginning to work. A clogged air intake reduces the machine's performance and increases the engine's working temperature, which can result in engine failure.

Make sure that you stop the engine:

- ▶ When mounting or removing accessories.
- ▶ When moving between work areas or above paved areas and ground obstacles.
- ▶ Whenever you leave the machine unattended.
- ▶ During refueling.
- ▶ During cleaning or maintenance.
- ▶ During transportation.
- ▶ Before storage.

WARNING

According to applicable regulations, the appliance must never be used on the drinking water net without a system separator. Ensure that the connection of your building water installation on which the high pressure cleaner is operated is equipped with a system separator. Water that has flown through back-flow preventers is considered to be non-potable.

NOISE AND VIBRATION HAZARDS

The noise and vibration levels shown in these instructions are the maximum levels for use of the machine. Insufficient maintenance has a significant impact on vibration and noise emissions. Consequently, it is necessary to take preventive steps to eliminate possible damage due to high levels of noise and stress from vibration. Maintain the machine well, wear ear protection devices, anti-vibration gloves and take breaks while working. Operating the machine with a stable speed and gripping the handles firmly with suitable force can decrease the vibration level. During a working day, you shall take frequent and adequate

breaks to prevent damage from vibration and damage to the ears. Prolonged exposure to vibrations can cause injuries and neurovascular disorders, especially to people suffering from circulation disorders. The symptoms can regard the hands, wrists and fingers and are shown through loss of sensitivity, torpor, itching, pain and discoloring or structural changes to the skin. These effects can be worsened by low ambient temperatures or by gripping the handgrips excessively. If such symptoms occur, the length of time the machine is used must be reduced and a doctor must be consulted.

WORKING AREA HAZARDS

Thoroughly inspect the whole work area and use a rake or yard brush to manually loosen debris and remove anything that could be projected by the machine, be a hazardous source or cause damage to the machine if run over (stones, branches, iron wire, bones etc.). Check that there are no bystanders, animal or items that could be damaged within at least 15 meters of the machine's range of action.

Work only in daylight, or with suitable artificial light, in good visibility conditions. Try not to cause any noise disturbance, by only using this machine at reasonable times of the day.

Take on a firm and well-balanced position. Where possible, avoid working on wet, slippery ground or in any case on uneven or steep ground that does not guarantee stability for the operator.

High pressure jets can be dangerous. In order to reduce the risk of damage or injury do not direct the water spray directly to people, pets, sensitive property, live electrical equipment or the machine itself. The water jet that is emitted from the high pressure nozzle results in a repulsion power acting on the hand spray gun. Make sure that you have firm footing and are also holding the hand spray gun and spray lance firmly with both hands.

REMAINING HAZARDS

The machine was built using modern technology and in accordance with recognized safety rules. Even when all safety measures are in place, some remaining hazards, which are not yet evident, may be present. The operator should use common sense and take necessary precautions to avoid risk due to remaining hazards.

PRODUCT SPECIFICATIONS

INTENDED USE

This product was designed and manufactured to be used for cleaning of vehicles, buildings, terraces, facades and more using clean cold water and biodegradable chemical detergents.

Any other use differing from the above-mentioned ones could be hazardous, harm people and/or damage things and the machine.

WARNING

The appliance has been designed for use with the cleaning agent supplied or recommended by the manufacturer. The use of other cleaning agents or chemicals, may adversely affect the safety of the appliance.

WARNING

Discharge residual and pump pressure before disconnecting the hose from the product. Switch the pressure washer off, then close the water tap and finally press the gun trigger until the water from the pump is released.

IMPROPER USE

The machine must not be used for handling hazardous materials, e.g. accumulation of inflammable or explosive products, solid material or any other object that could be dangerous to the machine itself as well as the operator, bystanders, animals or property.

Examples of improper use may include, but are not limited to operating the machine:

- ▶ Without the accessories specifically supplied by the manufacturer for specific uses, or use of accessories in a way not intended in these instructions;
- ▶ At an operational angle different than level to the ground.
- ▶ With unauthorized modifications.
- ▶ By more than one person.

TECHNICAL DATA PAGE 73

IDENTIFICATION (FIG. 1-3)

1. Gun and lance
2. Hose
3. Pump
4. Wheel
5. Engine
6. Nozzle
7. Handle
8. Pump oil filling port
9. Pump oil level gauge
10. Pump oil draining port
11. Water inlet port
12. Water outlet port
13. Detergent inlet port
14. Pressure adjusting knob
15. Fuel tank cap
16. Fuel tank
17. Recoil starter
18. Air filter
19. Spark plug
20. Muffler
21. Choke lever
22. Throttle lever
23. Fuel valve lever
24. ON/OFF switch
25. Engine oil filling port
26. Engine oil level gauge
27. Engine oil draining port

OPERATION

PREOPERATION

Unpacking and completing the assembly should be done on a flat and stable surface, with enough space for moving the machine and its packaging, always making use of suitable equipment (Fig. 5).

Before starting work please:

1. Check that all the screws are tightly fastened.

2. Check that the air filter is clean.
3. Fill engine with oil and fuel as indicated below.
4. Fill pump with oil as indicated below.

FUELING AND LUBRICATION

WARNING

Never smoke whilst refueling and keep fuel away from all sources of fire or spark. Avoid inhaling the petrol fumes and always refuel in outside and well ventilated areas.

WARNING

The engine is delivered without oil and fuel.

This is a 4-stroke engine meaning gasoline should be used in fuel tank and the engine case should be filled with 4-stroke engine oil.

Fuel specifications: Unleaded gasoline

Oil specifications: Only use oil that meet the requirements of API service class SF or higher and according to relative table (Fig. 12).

Always use clean container for storing fuel and do not use fuel stored for more than a month.

Use a funnel in order to avoid spilling fuel or oil. Do not overfill.

To fill the engine with fuel:

1. Remove the fuel tank cap.

WARNING

Carefully open the tank top as pressure could have formed inside.

2. Add fuel to the fuel upper level (Fig. 13.2). Leave a minimum 5 mm of space between the top of the fuel and the inside edge of the tank to allow for expansion.
3. Reposition the fuel tank cap and tighten appropriately.

To fill the engine with oil:

1. Remove the oil filler cap (Fig. 14.1). The bottom part of it is the oil level indicator (oil dipstick).
2. Add enough oil to bring the oil level between the upper (Fig. 14.3) and lower (Fig. 14.4) limit on the oil dipstick. Measuring should be made with the dipstick positioned, but not screwed, in the filler neck.
3. Reposition the oil cap and tighten appropriately.

WARNING

Wipe off any spilled fuel and oil before starting the engine.

To fill the pump with oil:

1. Remove the shipping plug (Fig. 6.1).
2. Add enough oil to bring the oil level between the upper (Fig. 6.3) and lower (Fig. 6.4) limit on the oil level gauge.
3. Position the new oil plug (Fig. 6.2) and tighten appropriately.

STARTING THE UNIT

WARNING

Before starting the engine, make sure both the machine and you are on stable ground.

WARNING

Dry running for more than 2 minutes can lead to damage of the high-pressure pump. If the appliance does not build up pressure within 2 minutes, switch the appliance off and contact your nearby dealer.

To start the engine:

1. Assemble the gun and lance together (Fig. 7).

2. Assemble the high pressure hose (Fig. 8.2) on the water outlet port (Fig. 8.1).
3. Assemble the gun and lance to the free end of the hose.
4. Mount the water supply hose (Fig. 9.2) on the water inlet port (Fig. 9.1) of the pump, using appropriate connectors and filter.

WARNING

Before connecting the water supply hose to the water inlet, inspect the water inlet screen (Fig. 9.3). Clean the screen if it contains debris and replace if damaged. Also, make sure that the hose you are about to connect is clean of any debris. Use only cold water (less than 40 °C) of a flow rate at least 19 L/m and no less than 1,3 bar of pressure.

5. Open the water supply.

6. Move the fuel valve lever (Fig. 15.1) to the "ON" position.

7. Move the choke lever (Fig. 16.1) to the "CHOKE" position.

NOTE

This step applies only to cold starting of the engine. When the engine is already warm or the environment temperature is high, the choke lever should be at "RUN" position at all times.

8. Move the ON / OFF switch to the "ON" position (Fig. 17.1).

9. Grip firmly the handle of the machine with your left hand and the starter grip (Fig. 18.2) of the engine with your right hand. Pull the starter grip until you feel resistance to engage the engine and then pull firmly to start the engine.

WARNING

To avoid breaking the starter rope (Fig. 18.1), do not pull the whole length of it or let it slide along the edge of the cable guide hole. Release the starter gradually, to avoid letting it fly back uncontrollably.

10. As the engine warms up, gradually move the choke lever to the "RUN" position, if the engine was cold started.

NOTE

For maximum performance and reliability, allow the engine to warm up before operating at full load, running it for two to three minutes at idle speed.

OPERATING THE UNIT

WARNING

Keep a distance of at least 30 cm between the water jet and any sensitive objects or painted surfaces to avoid damage.

WARNING

Strictly set the engine according to the regulated power on the owner's manual. Do not overload, overrun or run the engine with low load and at low speed.

NOZZLES

The pressure washer comes with five spray nozzles. Each nozzle is color coded and delivers a specific spray pattern and pressure for a particular cleaning job:

- Red - 0°: This nozzle delivers a pinpoint stream of pressurized water and is extremely powerful. It covers only a small area of cleaning. This nozzle

zle should only be directed at surfaces that can withstand high pressure such as concrete or unpainted metal. Do not use at clean wood.

- ▶ Yellow - 15°: This nozzle delivers a powerful 15° spray pattern for intense cleaning of small areas. This nozzle should only be directed at surfaces that can withstand high pressure such as concrete or unpainted metal.
- ▶ Green - 25°: This nozzle delivers a 25° spray pattern for intense cleaning of larger areas. This nozzle should only be directed at surfaces that can withstand high pressure such as concrete or unpainted metal.
- ▶ White - 40°: This nozzle delivers a 40° spray pattern and less powerful stream of water. This nozzle can cover a wide area and should be used for most general cleaning jobs.
- ▶ Black - Detergent: This nozzle is used to apply special chemical and cleaning solutions. The output pressure of the machine should also be lowered when this nozzle is used.

USING CHEMICALS

WARNING

Use only detergents specially designed for pressure washers. Non suitable detergents can damage the pump.

To use detergent with the pressure washer (Fig. 11):

1. Attach the detergent hose onto the detergent inlet port of the pump.
2. Put the other end of the detergent hose into the detergent container.
3. Attach the detergent nozzle on the lance (Fig. 10).
4. Spray the detergent onto a dry surface.
5. Allow the detergent to act on the surface for three to five minutes.
6. Rinse the detergent from the surface with clean water.

WARNING

After using detergent it is important that you clean the pressure washer with clean water. Run clean water through the pressure washer for a couple of minutes, after removing the detergent supply.

STOPPING THE UNIT

WARNING

Avoid stopping the engine suddenly at high speed or under heavy load to avoid engine failure.

To stop the machine:

1. Move the ON / OFF switch to the "OFF" position (Fig. 17.2).
2. Move the fuel valve lever to the "OFF" position.
3. Turn off the water supply.
4. Press the gun lever until the remaining water in the pump, hoses and gun is released.

MAINTENANCE AND CLEANING

WARNING

Never do maintenance or cleaning with the unit running. Always work on a cool unit. Before cleaning or doing maintenance work, disconnect the spark plug cap and read the relevant instructions. Always wear proper clothing and protective gloves whenever your hands are at risk.

Any adjustments or maintenance operations not described in this manual must be carried out by your Dealer or a authorized Service Centre with the necessary knowledge and equipment to ensure that the work is done correctly maintaining the machine's original safety level. Any operations performed in unauthorized centers or by unqualified persons will totally invalidate the Warranty and all obligations and responsibilities of the Manufacturer. Keep all nuts and screws tight to be sure the machine is always in safe working condition. Routine maintenance is essential for safety and for maintaining a high-performance level.

WARNING

Never use the machine with worn or damaged parts. Faulty or worn-out parts must always be replaced and not repaired. Only use original spare parts.

MAINTENANCE SCHEDULE

Items		Frequency				
		Before each use	After 1st month or 10hrs of operation	Every 3 months or 50hrs of operation	Every 6 months or 100hrs of operation	Every 12 months or 200hrs of operation
Complete unit	Check	√				
Control handles	Check	√				
Engine oil	Check-Refill	√				
	Replace		√		√	
Pump oil	Check-Refill	√				
	Replace		√		√	
Air filter	Check-Clean	√*	√			
	Replace					√
Fuel filter	Check - Clean				√*	
Fuel tube	Check - Clean					√*
Deposit cup	Check - Clean				√	
Valve clearance	Check - Adjust					√**

*These items should be replaced if needed.

**These items should be maintained and repaired only by authorised dealer, that have the appropriate tools and the required mechanical proficiency.

ENGINE AND PUMP OIL**WARNING**

Checking the level and changing the oil should be done in solid and level ground. The engine has to be stopped at all times. If the engine had been running, it will be hot and the procedure should be done with care in order to avoid burn danger.

To check the engine oil level:

1. Remove the oil filler cap.
2. Wipe the oil dipstick clean.
3. Insert the oil dipstick into the oil filler neck, without screwing it.
4. Remove the oil dipstick and check the oil level shown on it. If required, fill with oil to the upper level.
5. Place the oil dipstick in position and tighten appropriately.

To change the engine oil:

NOTE

Drain the used oil while the engine is warm. Warm oil drains quickly and completely.

1. Remove the oil filler cap from the engine oil filler neck.
2. Place a suitable container (Fig. 19.3) under the oil drain hole (Fig. 19.2) to catch the used oil.
3. Remove the oil drain plug (Fig. 19.4) and washer (Fig. 19.5) to allow the oil to drain completely.
4. Reposition the oil drain plug with its washer and tighten appropriately.
5. Gradually add enough oil to bring the oil level to the lip of the oil filler neck, up to the upper level and not lower than the lower level.
6. Reposition the oil filler cap and tighten appropriately.

NOTE

If the engine frequently works under dusty or other severe circumstances, change the engine oil every 10 hours.

To check the pump oil level:

1. Remove the oil filler cap.
2. Check the oil level on the oil gauge. If required, fill with oil to the upper level.
3. Place the oil filler cap in position and tighten appropriately.

To change the pump oil:

1. Remove the oil filler cap.
2. Place a suitable container under the oil drain hole to catch the used oil.
3. Remove the oil drain plug and washer to allow the oil to drain completely.
4. Reposition the oil drain plug with its washer and tighten appropriately.
5. Gradually add enough oil to bring the oil level up to the upper level and not lower than the lower level.
6. Reposition the oil filler cap and tighten appropriately.

WARNING:

Running the engine or pump will low oil level will cause engine damage.

NOTE

Dispose used motor oil and the containers in a manner that is compatible with the environment. We suggest you take it in a sealed container to your local recycling center or service station for reclamation.

Do not throw it in the trash, pour it on the ground, or pour it down a drain.

AIR FILTER**WARNING**

Operating the engine without an air cleaner, or with a damaged air cleaner, will allow dirt to enter the engine, causing rapid engine wear.

To check, clean or change the air filter:

1. Remove the air filter cover (Fig. 20.1).
2. Make sure that the air filter element (Fig. 20.2) is free from dirt and in a good condition. If it is dirty, remove and clean it. To clean a foam air filter element wash it with home detergent and hot water and let it dry. Then soak it in clean saturated engine oil and gently squeeze out excess oil. If required, replace it with a new one. To clean a paper air filter element, clean light dirt by gently taping it a few times on a hard surface and replace if heavy dirt is present.
3. Clean the inside of the air filter case and cover from dirt with a soft cloth. If the engine is equipped with an oil bath type air filter, replace the oil with new engine oil.
4. Reinstall the air filter element and follow the reverse procedure to put back in position the air filter cover.

WARNING

Never clean the air filter with flammable or low flash-point detergents to avoid the risk of a fire or explosion.

NOTE

If the engine frequently works under dusty or other severe circumstances, clean the air filter element every 10 hours. If necessary, change the air filter element every 25 hours.

SPARK PLUG

To maintain the spark plug (Fig. 21):

1. Remove the spark plug cap to access the spark plug.
2. Use an appropriate spark plug tool to carefully remove the spark plug.
3. Inspect the condition of the spark plug and its electrode. It must be clean and not worn. Check that the spark plug gap is between 0.7 and 0.8mm (Fig. 8). Replace the spark plug with a new one, if needed.
4. Carefully thread the spark plug into the engine by hand.
5. Once threaded, use the appropriate spark plug tool to tighten the spark plug, paying attention not to use excessive force damaging the threads.
6. Re-attach the spark plug cap.

WARNING

Never allow dirt or debris to enter the cylinder bore. Before removing the spark plug, thoroughly clean the spark plug and cylinder head area.

FUEL SEDIMENT CUP**WARNING**

Maintain the fuel carburetor only outdoors and in well ventilated areas.

To maintain the fuel sediment cup (Fig. 22):

1. Turn the fuel valve to the "OFF" position.

2. Remove the carburetor fuel sediment cup with its rubber seal ring.
3. Wash the removed parts in solvent, dry them thoroughly.

WARNING

Never clean the fuel sediment cup with flammable or low flash-point detergents to avoid the risk of a fire or explosion.

4. Replace the rubber seal ring with a new one if needed.
5. Reinstall the rubber seal ring and sediment cup and secure in position.
6. Turn the fuel valve to "ON" position and check for any fuel leaks.

FUEL FILTER

The fuel tank may be fitted with a filter, depending on tiller model, situated at the fuel tank cap. The fuel filter can be picked out and should be checked periodically. If the filter is dirty, clean it and replace it with a new one when required. In case the inside of the fuel tank is dirty, it can be cleaned by rinsing the fuel tank with clean petrol.

CLEANING

Use a small soft brush to clean the outside of the unit. Do not use strong detergents. Household cleaners that contain aromatic oils such as pine and lemon and solvents such as kerosene can damage plastic housing or handle. Wipe off any moisture with a soft cloth.

STORAGE**WARNING**

Never store the unit with fuel in the tank and always allow the unit to cool before storing. Store the unit only in dry and well ventilated areas.

WARNING

Appliance and accessories that are not completely drained can be destroyed by frost or mold. To avoid damage:

1. Turn off the appliance.
2. Turn off the water supply.
3. Detach spray lance from the trigger gun.
4. Push the lever of the trigger gun until no more water is coming out.
5. Detach the appliance from the water supply.

In case the unit will be stored for an extended time, use the following storage procedure:

1. Drain all fuel from the fuel tank and carburator.
2. Replace the engine oil with new.
3. Remove the spark plug and put 30 ml of high quality motor oil into the cylinder. Pull the starter rope slowly to distribute the oil. Reinstall the spark plug.
4. Thoroughly clean the unit and inspect for any loose or damaged parts. Repair or replace damaged parts and tighten loose screws, nuts or bolts.
5. Lubricate all parts required with an oil damp cloth to avoid rust built-up.

ENVIRONMENTAL PROTECTION

Recycle raw materials instead of disposing as waste. Machine, accessories and packaging should be sorted for environment friendly recycling. The plastic components are labeled for categorized recycling. Dispose used motor oil and the containers in a manner that is compatible with the environment. We suggest you take it in a sealed container to your local recycling center or service station for reclamation. Do not throw it in the trash, pour it on the ground, or pour it down a drain.

WARRANTY

This product is warranted in accordance with the legal / country specific regulations, effective from the date of purchase by the first user. Damage attributable to normal wear and tear, overload or improper handling will be excluded from the warranty. In case of a claim, please send the machine, completely assembled, to your dealer or the official service center.

FRANÇAIS

AVERTISSEMENTS GÉNÉRAUX DE SÉCURITÉ

Lisez et comprenez ce manuel du propriétaire avant d'utiliser ce produit. Vous pouvez aider à prévenir les accidents en vous familiarisant avec les commandes de votre produit et en observant les procédures d'utilisation et les panneaux de sécurité en toute sécurité. Utilisez toujours votre bon sens pour éviter toutes les situations considérées comme dépassant vos capacités. Ne pas utiliser lorsque vous êtes fatigué ou sous l'influence de drogues, d'alcool ou de tout autre médicament. Éloignez les passants et les animaux qui pourraient être blessés, ainsi que les objets qui pourraient être endommagés, pendant le fonctionnement. Ne laissez jamais des enfants ou des personnes non familiarisées avec ces instructions utiliser le produit. Les lois locales peuvent restreindre l'âge minimum de l'opérateur. Gardez à l'esprit que l'opérateur ou l'utilisateur est responsable des accidents ou événements inattendus survenant à d'autres personnes, animaux ou leurs biens. N'exposez pas le produit à une humidité excessive, à la poussière, à la saleté ou à des vapeurs corrosives. Ne pas monter d'équipements ou d'accessoires sur la machine non prévus ou approuvés par le fabricant. N'essayez jamais de modifier le produit. Des modifications ou des accessoires non autorisés peuvent entraîner des blessures graves ou la mort de l'opérateur ou d'autres personnes. Consultez votre revendeur agréé pour le démontage et l'entretien, qui ne sont pas traités dans ce manuel. Si quelque chose se brise ou qu'un accident survient pendant le travail, éteignez immédiatement la machine et éloignez-la pour éviter d'autres dommages. Si un corps étranger a pénétré dans la machine, l'arrêtez immédiatement, l'inspectez pour tout dommage et effectuez les réparations avant de la redémarrer.

ÉQUIPEMENT PROTECTEUR

Assurez-vous que vous utilisez un équipement de protection approprié et certifié lors de l'utilisation de l'unité. Portez toujours des vêtements qui ne gênent pas les mouvements, des gants de protection, des lunettes, un demi-masque respiratoire, des protections auditives et des bottes de sécurité anti-cisaillement à semelles antidérapantes. Ne portez jamais d'écharpes, de colliers ou d'accessoires et vêtements suspendus ou flottants qui pourraient s'accrocher dans la machine. Attachez vos cheveux s'ils sont longs.

RISQUES DE POISON

Utiliser uniquement à l'extérieur et dans des zones bien ventilées. Lorsqu'il tourne, le moteur évacue du monoxyde de carbone toxique, un gaz inodore et incolore. L'inhalation de monoxyde de carbone provoque des nausées, des évanouissements ou la mort. N'utilisez pas la machine dans un espace confiné où des vapeurs dangereuses de monoxyde de carbone peuvent se développer, ou à proximité de fenêtres ouvertes. Le carburant et l'huile sont extrêmement toxiques. N'inhaliez pas les gaz d'évaporation du carburant et portez toujours un équipement de protection approprié lors de leur manipulation. Stockez toujours

le carburant et l'huile dans des conteneurs approuvés et éliminez-les de manière responsable.

RISQUES D'INCENDIE ET DE BRULURE

Certaines parties de la machine deviennent suffisamment chaudes pour enflammer des matériaux inflammables. Ne pas utiliser dans des zones à haut risque d'incendie. Ne pas diriger le silencieux et donc les gaz d'échappement vers des matériaux inflammables. Certaines parties de la machine deviennent suffisamment chaudes pour causer des brûlures. Faites attention à ne pas les toucher afin d'éviter de vous brûler. Laissez la machine refroidir avant de la ranger. L'essence et l'huile sont inflammables. Suivez les instructions fournies par chaque fabricant avant utilisation. Les sources potentielles d'incendie ou d'étincelles doivent être tenues à l'écart à tout moment. Ne pas fumer à proximité de la machine ou de tout carburant et huile. Faire le plein uniquement à l'extérieur, dans un endroit bien aéré, avec le moteur coupé. Ouvrez lentement le réservoir de carburant pour permettre à la pression à l'intérieur de diminuer progressivement. Ne remplissez pas trop le réservoir de carburant. Assurez-vous qu'il y a une certaine distance entre tout réservoir d'essence de rechange et l'unité, pour éviter tout danger inutile. Assurez-vous que tout le carburant et l'huile renversés ont été essayés avant de démarrer le moteur. En cas d'incendie, utilisez un extincteur approprié spécialement conçu pour les incendies d'huile et d'essence.

AVERTISSEMENTS DE SÉCURITÉ DE CATÉGORIE

FONCTIONNEMENT SÛR

Tous les leviers de commande de la machine doivent passer d'une position à l'autre facilement et ne doivent pas avoir besoin de forcer. Les câbles électriques et en particulier le câble de bougie doivent être en parfait état pour éviter la génération d'étincelles et le capuchon de bougie doit être correctement mis en place sur la bougie. Les poignées et dispositifs de protection doivent être propres et secs et solidement fixés à la machine.

Vérifiez toujours la présence d'objets susceptibles de bloquer la grille d'admission d'air avant de commencer à travailler. Une prise d'air bouchée réduit les performances de la machine et augmente la température de fonctionnement du moteur, ce qui peut entraîner une panne du moteur.

Assurez-vous d'arrêter le moteur :

- ▶ Lors du montage ou du retrait d'accessoires.
- ▶ Lorsque vous vous déplacez entre des zones de travail ou au-dessus de zones pavées et d'obstacles au sol.
- ▶ Chaque fois que vous laissez la machine sans surveillance.
- ▶ Pendant le ravitaillement.
- ▶ Pendant le nettoyage ou l'entretien.
- ▶ Pendant le transport.
- ▶ Avant stockage.

ATTENTION

Conformément à la réglementation en vigueur, l'appareil ne doit jamais être utilisé sur le réseau d'eau potable sans un séparateur de système. As-

surez-vous que le raccordement de votre installation d'eau du bâtiment sur laquelle le nettoyeur haute pression est utilisé est équipé d'un séparateur de système. L'eau qui s'est écoulée à travers les dispositifs anti-refoulement est considérée comme non potable.

RISQUES DE BRUIT ET DE VIBRATION

Les niveaux de bruit et de vibration indiqués dans ces instructions sont les niveaux maximum pour l'utilisation de la machine. Un entretien insuffisant a un impact significatif sur les émissions de vibrations et de bruit. Par conséquent, il est nécessaire de prendre des mesures préventives pour éliminer les dommages possibles dus aux niveaux élevés de bruit et de stress dû aux vibrations. Entretenez bien la machine, portez des protections auditives, des gants anti-vibrations et faites des pauses pendant le travail. Faire fonctionner la machine à une vitesse stable et saisir fermement les poignées avec une force appropriée peut réduire le niveau de vibration. Au cours d'une journée de travail, vous devez prendre des pauses fréquentes et adéquates pour éviter les dommages dus aux vibrations et aux oreilles. Une exposition prolongée aux vibrations peut provoquer des blessures et des troubles neuro-vasculaires, notamment chez les personnes souffrant de troubles de la circulation. Les symptômes peuvent concerner les mains, les poignets et les doigts et se manifestent par une perte de sensibilité, une torpeur, des démangeaisons, des douleurs et une décoloration ou des changements structurels de la peau. Ces effets peuvent être aggravés par des températures ambiantes basses ou par une prise excessive des poignées. Si de tels symptômes apparaissent, la durée d'utilisation de la machine doit être réduite et un médecin doit être consulté.

DANGERS DE LA ZONE DE TRAVAIL

Inspectez soigneusement toute la zone de travail et utilisez un râteau ou une brosse de jardin pour détacher manuellement les débris et enlever tout ce qui pourrait être projeté par la machine, constituer une source dangereuse ou endommager la machine en cas de renversement (pierres, branches, fil de fer, etc.). Vérifiez qu'il n'y a pas de spectateurs, d'animaux ou d'objets susceptibles d'être endommagés à moins de 15 mètres du rayon d'action de la machine.

Travaillez uniquement à la lumière du jour, ou avec une lumière artificielle appropriée, dans de bonnes conditions de visibilité. Essayez de ne pas causer de nuisances sonores en n'utilisant cette machine qu'à des heures raisonnables de la journée.

Adoptez une position ferme et équilibrée. Dans la mesure du possible, évitez de travailler sur un sol mouillé, glissant ou en tout cas sur un sol accidenté ou escarpé qui ne garantit pas la stabilité pour l'opérateur.

Les jets à haute pression peuvent être dangereux. Afin de réduire le risque de dommages ou de blessures, ne dirigez pas le jet d'eau directement sur des personnes, des animaux domestiques, des biens sensibles, des équipements électriques sous tension ou la machine elle-même.

Le jet d'eau qui est émis par la buse haute pression entraîne une puissance de répulsion agissant sur le pistolet manuel. Assurez-vous d'avoir une bonne assise et de

tenir fermement le pistolet de pulvérisation à main et la lance de pulvérisation avec les deux mains.

RISQUES RESTANTS

La machine a été construite à l'aide de la technologie moderne et conformément aux règles de sécurité reconnues. Même lorsque toutes les mesures de sécurité sont en place, certains dangers restants, qui ne sont pas encore évidents, peuvent être présents. L'opérateur doit faire preuve de bon sens et prendre les précautions nécessaires pour éviter les risques dus aux dangers restants.

SPÉCIFICATIONS DU PRODUIT

UTILISATION PRÉVUE

Ce produit a été conçu et fabriqué pour être utilisé pour le nettoyage des véhicules, des bâtiments, des terrasses, des façades et plus encore en utilisant de l'eau froide propre et des détergents chimiques biodégradables.

Toute autre utilisation différente de celles mentionnées ci-dessus pourrait être dangereuse, blesser les personnes et/ou endommager les choses et la machine.

ATTENTION

L'appareil a été conçu pour être utilisé avec le produit de nettoyage fourni ou recommandé par le fabricant. L'utilisation d'autres produits de nettoyage ou produits chimiques peut nuire à la sécurité de l'appareil.

ATTENTION

Évacuez la pression résiduelle et la pression de la pompe avant de débrancher le tuyau du produit. Éteignez le nettoyeur haute pression, puis fermez le robinet d'eau et enfin appuyez sur la gâchette du pistolet jusqu'à ce que l'eau de la pompe soit libérée.

UTILISATION INCORRECTE

La machine ne doit pas être utilisée pour manipuler des matières dangereuses, par ex.

Des exemples d'utilisation inappropriée peuvent inclure, sans s'y limiter, l'utilisation de la machine :

- ▶ Sans les accessoires spécifiquement fournis par le fabricant pour des utilisations spécifiques, ou l'utilisation d'accessoires d'une manière non prévue dans ces instructions ;
- ▶ À un angle opérationnel différent du niveau du sol.
- ▶ Avec des modifications non autorisées.
- ▶ Par plus d'une personne.

SPÉCIFICATIONS TECHNIQUES PAGE 74

IDENTIFICATION (FIG. 1-3)

1. Pistolet et lance
2. Tuyau
3. Pompe
4. Roue
5. Moteur
6. Buse
7. Manipuler
8. Orifice de remplissage d'huile de la pompe
9. Jauge de niveau d'huile de la pompe
10. Orifice de vidange d'huile de la pompe
11. Port d'entrée d'eau

12. Orifice de sortie d'eau
13. Port d'entrée du détergent
14. Bouton de réglage de la pression
15. Bouchon de réservoir de carburant
16. Réservoir d'essence
17. Lanceur à rappel
18. Filtre à air
19. Bougie d'allumage
20. Silencieux
21. Levier de starter
22. Levier d'accélérateur
23. Levier du robinet de carburant
24. Interrupteur marche / arrêt
25. Orifice de remplissage d'huile moteur
26. Jauge de niveau d'huile moteur
27. Orifice de vidange d'huile moteur

OPÉRATION

PRÉOPÉRATION

Le déballage et l'achèvement de l'assemblage doivent être effectués sur une surface plane et stable, avec suffisamment d'espace pour déplacer la machine et son emballage, en utilisant toujours un équipement approprié (Fig. 5).

Avant de commencer le travail, veuillez :

1. Vérifiez que toutes les vis sont bien serrées.
2. Vérifiez que le filtre à air est propre.
3. Remplissez le moteur d'huile et de carburant comme indiqué ci-dessous.
4. Remplir la pompe d'huile comme indiqué ci-dessous.

RAVITAILLEMENT ET LUBRIFICATION

ATTENTION

Ne fumez jamais pendant le ravitaillement et éloignez le carburant de toute source d'incendie ou d'étincelle. Évitez d'inhaler les vapeurs d'essence et faites toujours le plein à l'extérieur et dans des endroits bien aérés.

ATTENTION

Le moteur est livré sans huile ni carburant. Il s'agit d'un moteur à 4 temps, ce qui signifie que l'essence doit être utilisée dans le réservoir de carburant et que le carter du moteur doit être rempli d'huile pour moteur à 4 temps.

Spécifications du carburant : Essence sans plomb
Spécifications de l'huile : N'utilisez que de l'huile répondant aux exigences de la classe de service API SF ou supérieure et conformément au tableau correspondant (Fig. 12).

Utilisez toujours un récipient propre pour stocker le carburant et n'utilisez pas de carburant stocké pendant plus d'un mois.

Utilisez un entonnoir pour éviter de renverser du carburant ou de l'huile. Ne pas trop remplir.

Pour remplir le moteur de carburant :

1. Retirez le bouchon du réservoir de carburant.

ATTENTION

Ouvrez avec précaution le dessus du réservoir car une pression pourrait s'être formée à l'intérieur.

2. Ajoutez du carburant jusqu'au niveau supérieur de carburant (Fig. 13.2). Laissez un espace minimum de 5 mm entre le haut du carburant et le bord intérieur du réservoir pour permettre l'expansion.

3. Repositionnez le bouchon du réservoir de carburant et serrez-le correctement.

Pour remplir le moteur d'huile :

1. Retirez le bouchon de remplissage d'huile (Fig. 14.1). La partie inférieure de celui-ci est l'indicateur de niveau d'huile (jauge d'huile).
2. Ajoutez suffisamment d'huile pour amener le niveau d'huile entre la limite supérieure (Fig. 14.3) et inférieure (Fig. 14.4) sur la jauge d'huile. La mesure doit être effectuée avec la jauge positionnée, mais non vissée, dans le goulot de remplissage.
3. Repositionner le bouchon d'huile et serrer correctement.

ATTENTION

Essayez tout déversement de carburant et d'huile avant de démarrer le moteur.

Pour remplir la pompe d'huile :

1. Retirez le bouchon d'expédition (Fig. 6.1).
2. Ajoutez suffisamment d'huile pour amener le niveau d'huile entre la limite supérieure (Fig. 6.3) et inférieure (Fig. 6.4) sur la jauge de niveau d'huile.
3. Positionner le nouveau bouchon d'huile (Fig. 6.2) et serrer convenablement.

DÉMARRAGE DE L'UNITÉ

ATTENTION

Avant de démarrer le moteur, assurez-vous que la machine et vous êtes sur un sol stable.

ATTENTION

Un fonctionnement à sec pendant plus de 2 minutes peut endommager la pompe haute pression. Si l'appareil ne monte pas en pression dans les 2 minutes, éteignez l'appareil et contactez votre revendeur le plus proche.

Pour démarrer le moteur :

1. Assemblez le pistolet et la lance (Fig. 7).
2. Montez le tuyau haute pression (Fig. 8.2) sur l'orifice de sortie d'eau (Fig. 8.1).
3. Assemblez le pistolet et la lance à l'extrémité libre du tuyau.
4. Montez le tuyau d'alimentation en eau (Fig. 9.2) sur l'orifice d'entrée d'eau (Fig. 9.1) de la pompe, en utilisant les connecteurs et le filtre appropriés.

ATTENTION

Avant de raccorder le tuyau d'alimentation en eau à l'arrivée d'eau, inspectez le tamis d'arrivée d'eau (Fig. 9.3). Nettoyez l'écran s'il contient des débris et remplacez-le s'il est endommagé. Assurez-vous également que le tuyau que vous êtes sur le point de raccorder est exempt de tout débris. Utiliser uniquement de l'eau froide (inférieure à 40 C) d'un débit d'au moins 19 L/m et d'une pression d'au moins 1,3 bar.

5. Ouvrir l'arrivée d'eau.
6. Déplacez le levier du robinet de carburant (Fig. 15.1) en position « ON ».
7. Déplacez le levier du starter (Fig. 16.1) sur la position « CHOKE ».

REMARQUE

Cette étape s'applique uniquement au démarrage à froid du moteur. Lorsque le moteur est déjà chaud ou que la température ambiante est élevée, le levier de starter doit être en position

"RUN" à tout moment.

- Déplacez l'interrupteur ON / OFF sur la position "ON" (Fig. 17.1).
- Saisissez fermement la poignée de la machine avec votre main gauche et la poignée de démarrage (Fig. 18.2) du moteur avec votre main droite. Tirez sur la poignée du démarreur jusqu'à ce que vous sentiez une résistance pour engager le moteur, puis tirez fermement pour démarrer le moteur.

ATTENTION

Pour éviter de casser la corde du lanceur (Fig. 18.1), ne la tirez pas sur toute sa longueur ou ne la laissez pas glisser le long du bord de l'orifice du guide-câble. Relâchez progressivement le démarreur, pour éviter qu'il ne revienne de façon incontrôlable.

- Au fur et à mesure que le moteur se réchauffe, déplacez progressivement le levier de starter sur la position « RUN », si le moteur a été démarré à froid.

REMARQUE

Pour des performances et une fiabilité maximales, laissez le moteur se réchauffer avant de fonctionner à pleine charge, en le faisant tourner pendant deux à trois minutes au ralenti.

FONCTIONNEMENT DE L'UNITÉ

ATTENTION

Gardez une distance d'au moins 30 cm entre le jet d'eau et tout objet sensible ou surface peinte pour éviter tout dommage.

ATTENTION

Réglez strictement le moteur en fonction de la puissance régulée sur le manuel du propriétaire. Ne surchargez pas, ne dépassez pas et ne faites pas tourner le moteur à faible charge et à faible vitesse.

BUSES

Le nettoyeur haute pression est livré avec cinq buses de pulvérisation. Chaque buse est codée par couleur et fournit un motif de pulvérisation et une pression spécifiques pour un travail de nettoyage particulier :

- ▶ Rouge - 0° : Cette buse délivre un jet d'eau sous pression ponctuel et est extrêmement puissante. Il ne couvre qu'une petite zone de nettoyage. Cette buse ne doit être dirigée que sur des surfaces pouvant résister à une pression élevée telles que le béton ou le métal non peint. Ne pas utiliser sur du bois propre.
- ▶ Jaune - 15° : Cette buse offre un puissant jet de 15° pour un nettoyage intense de petites surfaces. Cette buse ne doit être dirigée que sur des surfaces pouvant résister à une pression élevée telles que le béton ou le métal non peint.
- ▶ Vert - 25° : Cette buse offre un jet de 25° pour un nettoyage intense de grandes surfaces. Cette buse ne doit être dirigée que sur des surfaces pouvant résister à une pression élevée telles que le béton ou le métal non peint.
- ▶ Blanc - 40° : Cette buse offre un jet de 40° et un jet d'eau moins puissant. Cette buse peut couvrir une large zone et doit être utilisée pour la plupart des travaux de nettoyage généraux.
- ▶ Noir - Détergent : Cette buse est utilisée pour ap-

pliquer des solutions chimiques et de nettoyage spéciales. La pression de sortie de la machine doit également être abaissée lorsque cette buse est utilisée.

UTILISER DES PRODUITS CHIMIQUES

ATTENTION

N'utilisez que des détergents spécialement conçus pour les nettoyeurs haute pression. Des détergents non appropriés peuvent endommager la pompe.

Pour utiliser du détergent avec le nettoyeur haute pression (Fig. 11) :

- Fixez le tuyau de détergent sur l'orifice d'entrée de détergent de la pompe.
- Mettez l'autre extrémité du tuyau de détergent dans le réservoir de détergent.
- Fixez la buse de détergent sur la lance (Fig. 10).
- Vaporisez le détergent sur une surface sèche.
- Laissez le détergent agir sur la surface pendant trois à cinq minutes.
- Rincer le détergent de la surface avec de l'eau propre.

ATTENTION

Après avoir utilisé un détergent, il est important de nettoyer le nettoyeur haute pression avec de l'eau propre. Faites couler de l'eau propre dans le nettoyeur haute pression pendant quelques minutes, après avoir retiré l'alimentation en détergent.

ARRÊT DE L'APPAREIL

ATTENTION

Évitez d'arrêter brusquement le moteur à grande vitesse ou sous forte charge pour éviter une panne du moteur.

Pour arrêter la machine :

- Déplacez l'interrupteur ON / OFF sur la position « OFF » (Fig. 17.2).
- Déplacez le levier du robinet de carburant à la position « OFF ».
- Coupez l'alimentation en eau.
- Appuyez sur le levier du pistolet jusqu'à ce que l'eau restante dans la pompe, les tuyaux et le pistolet soit libérée.

ENTRETIEN ET NETTOYAGE

ATTENTION

N'effectuez jamais d'entretien ou de nettoyage lorsque l'appareil est en marche. Travaillez toujours sur une unité froide. Avant de nettoyer ou d'effectuer des travaux d'entretien, débranchez le capuchon de la bougie et lisez les instructions correspondantes. Portez toujours des vêtements appropriés et des gants de protection chaque fois que vos mains sont en danger.

Tous les réglages ou opérations de maintenance non décrits dans ce manuel doivent être effectués par votre revendeur ou un centre de service agréé disposant des connaissances et de l'équipement nécessaires pour garantir que le travail est effectué correctement en maintenant le niveau de sécurité d'origine de la machine. Toute opération effectuée dans des centres non autorisés ou par des personnes non qualifiées annulera totalement la Garantie et toutes les obligations et responsabilités du Fabricant.

Maintenez tous les écrous et vis serrés pour vous

assurer que la machine est toujours en bon état de fonctionnement. Un entretien régulier est essentiel pour la sécurité et pour maintenir un niveau de performance élevé.

ATTENTION

N'utilisez jamais la machine avec des pièces usées ou endommagées. Les pièces défectueuses ou usées doivent toujours être remplacées et non réparées. N'utilisez que des pièces de rechange d'origine.

CALENDRIER D'ENTRETIEN

Articles		Fréquence				
		Avant chaque utilisation	Après le 1er mois ou 10h de fonctionnement	Tous les 3 mois ou 50h de fonctionnement	Tous les 6 mois ou 100h de fonctionnement	Tous les 12 mois ou 200h de fonctionnement
Unité complète	Vérifier	✓				
Poignées de contrôle	Vérifier	✓				
Huile moteur	Chèque - Recharge	✓				
	Remplacer		✓		✓	
Pompe à huile	Chèque - Recharge	✓				
	Remplacer		✓		✓	
Filtre à air	Vérifier - Nettoyer	✓*	✓			
	Remplacer					✓
Filtre à carburant	Vérifier - Nettoyer				✓*	
Tube de carburant	Vérifier - Nettoyer					✓*
Gobelet de dépôt	Vérifier - Nettoyer				✓	
Le jeu des soupapes	Vérifier - Ajuster					✓**

*Ces éléments doivent être remplacés si nécessaire.

**Ces articles doivent être entretenus et réparés uniquement par un revendeur agréé, qui dispose des outils appropriés et des compétences mécaniques requises.

HUILE MOTEUR ET POMPE

ATTENTION

Le contrôle du niveau et le changement d'huile doivent être effectués sur un sol solide et plat. Le moteur doit être arrêté à tout moment. Si le moteur avait tourné, il serait chaud et la procédure doit être effectuée avec soin afin d'éviter tout risque de brûlure.

Pour vérifier le niveau d'huile moteur :

1. Retirez le bouchon de remplissage d'huile.
2. Essuyez la jauge d'huile pour la nettoyer.

3. Insérer la jauge d'huile dans le goulot de remplissage d'huile, sans la visser.
4. Retirez la jauge d'huile et vérifiez le niveau d'huile indiqué dessus. Si nécessaire, remplissez d'huile jusqu'au niveau supérieur.
5. Placer la jauge d'huile en position et serrer correctement.

Pour changer l'huile moteur :

REMARQUE

Vidangez l'huile usagée pendant que le moteur est chaud. L'huile chaude s'écoule rapidement et complètement.

1. Retirez le bouchon de remplissage d'huile du goulot de remplissage d'huile moteur.
2. Placer un récipient approprié (Fig. 19.3) sous l'orifice de vidange d'huile (Fig. 19.2) pour récupérer l'huile usagée.
3. Retirez le bouchon de vidange d'huile (Fig. 19.4) et la rondelle (Fig. 19.5) pour permettre à l'huile de s'écouler complètement.
4. Repositionner le bouchon de vidange d'huile avec sa rondelle et serrer convenablement.
5. Ajouter progressivement suffisamment d'huile pour amener le niveau d'huile jusqu'à la lèvre du goulot de remplissage d'huile, jusqu'au niveau supérieur et pas plus bas que le niveau inférieur.
6. Repositionnez le bouchon de remplissage d'huile et serrez-le correctement.

REMARQUE

Si le moteur fonctionne fréquemment dans des conditions poussiéreuses ou dans d'autres circonstances sévères, changez l'huile moteur toutes les 10 heures.

Pour vérifier le niveau d'huile de la pompe :

1. Retirez le bouchon de remplissage d'huile.
2. Vérifiez le niveau d'huile sur la jauge d'huile. Si nécessaire, remplissez d'huile jusqu'au niveau supérieur.
3. Placer le bouchon de remplissage d'huile en position et serrer correctement.

Pour changer l'huile de la pompe :

1. Retirez le bouchon de remplissage d'huile.
2. Placer un récipient approprié sous le trou de vidange d'huile pour récupérer l'huile usagée.
3. Retirez le bouchon de vidange d'huile et la rondelle pour permettre à l'huile de s'écouler complètement.
4. Repositionner le bouchon de vidange d'huile avec sa rondelle et serrer convenablement.
5. Ajouter progressivement suffisamment d'huile pour amener le niveau d'huile au niveau supérieur et non inférieur au niveau inférieur.
6. Repositionnez le bouchon de remplissage d'huile et serrez-le correctement.

ATTENTION:

Faire tourner le moteur ou la pompe fera baisser le niveau d'huile et endommagera le moteur.

REMARQUE

Éliminez l'huile moteur usagée et les conteneurs d'une manière compatible avec l'environnement. Nous vous suggérons de l'apporter dans un contenant scellé à votre centre de recyclage ou station-service local pour récupération. Ne le jetez pas à la poubelle, ne le versez pas sur le sol ou ne le versez pas dans un égout.

FILTRE À AIR**ATTENTION**

Faire fonctionner le moteur sans filtre à air, ou avec un filtre à air endommagé, permettra à la saleté de pénétrer dans le moteur, provoquant une usure rapide du moteur.

Pour vérifier, nettoyer ou changer le filtre à air :

1. Retirez le couvercle du filtre à air (Fig. 20.1).
2. Assurez-vous que l'élément du filtre à air (Fig. 20.2) est exempt de saleté et en bon état. S'il est sale, retirez-le et nettoyez-le. Pour nettoyer un élément de filtre à air en mousse, lavez-le avec un détergent domestique et de l'eau chaude et laissez-le sécher. Ensuite, faites-le tremper dans de l'huile moteur propre et saturée et essorez doucement l'excès d'huile. Si nécessaire, remplacez-le par un neuf. Pour nettoyer un élément de filtre à air en papier, nettoyez les saletés légères en le tapotant doucement plusieurs fois sur une surface dure et remplacez-le s'il y a de la saleté importante.
3. Nettoyez l'intérieur du boîtier du filtre à air et le couvercle de la saleté avec un chiffon doux. Si le moteur est équipé d'un filtre à air à bain d'huile, remplacer l'huile par de l'huile moteur neuve.
4. Réinstallez l'élément du filtre à air et suivre la procédure inverse pour remettre en place le couvercle du filtre à air.

ATTENTION

Ne nettoyez jamais le filtre à air avec des détergents inflammables ou à faible point d'éclair pour éviter le risque d'incendie ou d'explosion.

REMARQUE

Si le moteur fonctionne fréquemment dans des conditions poussiéreuses ou dans d'autres conditions difficiles, nettoyez l'élément du filtre à air toutes les 10 heures. Si nécessaire, changez l'élément du filtre à air toutes les 25 heures.

BOUGIE D'ALLUMAGE

Pour entretenir la bougie (Fig. 21) :

1. Retirez le capuchon de bougie pour accéder à la bougie.
2. Utilisez un outil de bougie d'allumage approprié pour retirer soigneusement la bougie d'allumage.
3. Inspectez l'état de la bougie et de son électrode. Il doit être propre et non usé. Vérifiez que l'écartement des bougies est compris entre 0,7 et 0,8 mm (Fig. 8). Remplacez la bougie d'allumage par une nouvelle, si nécessaire.
4. Vissez soigneusement la bougie d'allumage dans le moteur à la main.
5. Une fois fileté, utilisez l'outil de bougie d'allumage approprié pour serrer la bougie d'allumage, en faisant attention à ne pas utiliser une force excessive pour endommager les filetages.
6. Remettez le capuchon de bougie d'allumage.

ATTENTION

Ne laissez jamais de la saleté ou des débris pénétrer dans l'alésage du cylindre. Avant de retirer la bougie, nettoyez soigneusement la bougie et la zone de la culasse.

COUPE DE SÉDIMENTS DE CARBURANT**ATTENTION**

Entretenez le carburateur uniquement à l'extérieur et dans des zones bien ventilées.

Pour maintenir la coupelle de décantation de carburant (Fig. 22) :

1. Tournez le robinet de carburant à la position « OFF ».
2. Retirez la coupelle de sédimentation du carburateur avec sa bague d'étanchéité en caoutchouc.
3. Laver les pièces démontées dans un solvant, les sécher soigneusement.

ATTENTION

Ne nettoyez jamais la coupelle de sédiments de carburant avec des détergents inflammables ou à faible point d'éclair pour éviter le risque d'incendie ou d'explosion.

4. Remplacez la bague d'étanchéité en caoutchouc par une nouvelle si nécessaire.
5. Réinstallez la bague d'étanchéité en caoutchouc et la coupelle de sédimentation et fixez-les en position.
6. Tournez le robinet de carburant en position « ON » et vérifiez s'il y a des fuites de carburant.

FILTRE À CARBURANT

Le réservoir de carburant peut être équipé d'un filtre, selon le modèle de motoculteur, situé au niveau du bouchon du réservoir de carburant. Le filtre à carburant peut être retiré et doit être vérifié périodiquement. Si le filtre est sale, nettoyez-le et remplacez-le par un nouveau si nécessaire. Si l'intérieur du réservoir de carburant est sale, il peut être nettoyé en rinçant le réservoir de carburant avec de l'essence propre.

NETTOYAGE

Utilisez une petite brosse douce pour nettoyer l'extérieur de l'appareil. N'utilisez pas de détergents puissants. Les nettoyeurs ménagers qui contiennent des huiles aromatiques telles que le pin et le citron et des solvants tels que le kérosène peuvent endommager le boîtier ou la poignée en plastique. Essayez toute humidité avec un chiffon doux.

ESPACE DE RANGEMENT**ATTENTION**

Ne stockez jamais l'appareil avec du carburant dans le réservoir et laissez toujours l'appareil refroidir avant de le ranger. Stockez l'appareil uniquement dans des zones sèches et bien aérées.

ATTENTION

L'appareil et les accessoires qui ne sont pas complètement vidangés peuvent être détruits par le gel ou la moisissure. Pour éviter les dommages :

1. Éteignez l'appareil.
 2. Coupez l'alimentation en eau.
 3. Détacher la lance de pulvérisation du pistolet à détente.
 4. Poussez le levier du pistolet à détente jusqu'à ce qu'il ne sorte plus d'eau.
 5. Débranchez l'appareil de l'alimentation en eau.
- Dans le cas où l'unité sera stockée pendant une période prolongée, utilisez la procédure de stockage suivante :

1. Vidangez tout le carburant du réservoir de carburant et du carburateur.
2. Remplacez l'huile moteur par de l'huile neuve.
3. Retirez la bougie et mettez 30 ml d'huile moteur de haute qualité dans le cylindre. Tirez lentement sur la corde du démarreur pour répartir l'huile. Réinstallez la bougie.
4. Nettoyez soigneusement l'appareil et vérifiez qu'il n'y a pas de pièces desserrées ou endommagées. Réparez ou remplacez les pièces endommagées et serrez les vis, écrous ou boulons desserrés.
5. Lubrifiez toutes les pièces nécessaires avec un chiffon humide pour éviter l'accumulation de rouille.

PROTECTION ENVIRONNEMENTALE

Recycler les matières premières au lieu de les jeter comme déchets. La machine, les accessoires et les emballages doivent être triés pour un recyclage respectueux de l'environnement. Les composants en plastique sont étiquetés pour un recyclage catégorisé. Éliminez l'huile moteur usagée et les conteneurs d'une manière compatible avec l'environnement. Nous vous suggérons de l'apporter dans un contenant scellé à votre centre de recyclage ou station-service local pour récupération. Ne le jetez pas à la poubelle, ne le versez pas sur le sol ou ne le versez pas dans un égout.

GARANTIE

Ce produit est garanti conformément aux réglementations légales/spécifiques au pays, en vigueur à compter de la date d'achat par le premier utilisateur. Les dommages attribuables à l'usure normale, à la surcharge ou à une mauvaise manipulation seront exclus de la garantie. En cas de réclamation, veuillez envoyer la machine, complètement assemblée, à votre revendeur ou au centre de service officiel.

ITALIANO

AVVERTENZE GENERALI DI SICUREZZA

Leggere e comprendere questo manuale del proprietario prima di utilizzare questo prodotto. Puoi aiutare a prevenire gli incidenti conoscendo i controlli del tuo prodotto e osservando le procedure operative sicure e i segnali di sicurezza. Usa sempre il tuo buon senso per evitare tutte le situazioni considerate oltre le tue capacità. Non utilizzare quando si è stanchi o sotto l'effetto di droghe, alcol o altri farmaci. Tenere lontani gli astanti e gli animali che potrebbero essere feriti, così come gli oggetti che potrebbero essere danneggiati, durante il funzionamento. Non consentire mai a bambini o persone che non hanno familiarità con queste istruzioni di utilizzare il prodotto. Le leggi locali possono limitare l'età minima dell'operatore. Tenere presente che l'operatore o l'utente è responsabile di incidenti o imprevisti occorsi ad altre persone, animali o loro proprietà. Non esporre il prodotto a umidità eccessiva, polvere, sporco o vapori corrosivi. Non montare sulla macchina attrezzature o accessori non previsti o approvati dal costruttore. Non tentare mai di modificare il prodotto. Modifiche o accessori non autorizzati possono provocare gravi lesioni personali o la morte dell'operatore o di altri. Consultare il proprio rivenditore autorizzato per lo smontaggio e l'assistenza, non trattati in questo manuale. Se qualcosa si rompe o si verifica un incidente durante il lavoro, spegnere immediatamente la macchina e allontanarla per evitare ulteriori danni. Nel caso in cui corpi estranei siano entrati nella macchina, fermarla immediatamente, ispezionarla per eventuali danni ed effettuare le riparazioni prima di riavviarla.

ATTREZZATURA DI PROTEZIONE

Assicurarsi di utilizzare dispositivi di protezione appropriati e certificati durante il funzionamento dell'unità. Indossare sempre indumenti che non intralcino i movimenti, guanti protettivi, occhiali, respiratore a semimaschera, protezioni per le orecchie e stivali di sicurezza antitaglio con suola antiscivolo. Non indossare mai sciarpe, collane o altri accessori e indumenti appesi o svolazzanti che potrebbero impigliarsi nella macchina. Lega i capelli se sono lunghi.

RISCHI DI VELENO

Operare solo all'aperto e in aree ben ventilate. Quando è in funzione, il motore scarica monossido di carbonio velenoso, un gas inodore e incolore. L'inalazione di monossido di carbonio provoca nausea, svenimento o morte. Non utilizzare la macchina in uno spazio ristretto dove possono svilupparsi pericolosi fumi di monossido di carbonio o vicino a finestre aperte. Il carburante e l'olio sono estremamente tossici. Non inalare i gas di evaporazione del carburante e indossare sempre dispositivi di protezione adeguati quando li si maneggia. Conservare sempre il carburante e l'olio in contenitori approvati e smaltirli in modo responsabile.

PERICOLI DI INCENDIO E USTIONI

Alcune parti della macchina si surriscaldano abbastanza da incendiare materiali infiammabili. Non utiliz-

zare in aree ad alto rischio di incendio. Non dirigere il silenziatore e quindi i fumi di scarico verso materiali infiammabili.

Alcune parti della macchina si surriscaldano abbastanza da provocare ustioni. Fare attenzione a non toccarli per evitare di scottarsi. Lascia raffreddare la macchina prima di riparla.

La benzina e l'olio sono infiammabili. Seguire le istruzioni fornite da ciascun produttore prima dell'uso. Le potenziali fonti di fuoco o scintille devono essere sempre tenute lontane. Non fumare vicino alla macchina o a qualsiasi carburante e olio. Fare rifornimento solo all'aperto, in luogo ben ventilato, a motore spento. Aprire lentamente il serbatoio del carburante per consentire alla pressione interna di diminuire gradualmente. Non riempire eccessivamente il serbatoio del carburante. Assicurarsi che ci sia una certa distanza tra l'eventuale serbatoio di benzina di scorta e l'unità, per evitare inutili pericoli. Assicurarsi che tutto il carburante e l'olio fuoriusciti siano stati rimossi prima di avviare il motore. In caso di incendio, utilizzare un estintore appropriato appositamente progettato per il fuoco di petrolio e benzina.

CATEGORIA AVVERTENZE DI SICUREZZA

FUNZIONAMENTO SICURO

Tutte le leve di manovra della macchina devono spostarsi facilmente da una posizione all'altra e non devono essere forzate. I cavi elettrici ed in particolare il cavo candela devono essere in perfette condizioni per evitare la generazione di scintille e il cappuccio candela deve essere correttamente montato sulla candela. Le impugnature ed i dispositivi di protezione devono essere puliti ed asciutti oltre che ben fissati alla macchina. Controllare sempre la presenza di oggetti che potrebbero bloccare la griglia di aspirazione dell'aria prima di iniziare a lavorare. Una presa d'aria intasata riduce le prestazioni della macchina e aumenta la temperatura di lavoro del motore, il che può causare guasti al motore.

Assicurati di spegnere il motore:

- ▶ Durante il montaggio o la rimozione degli accessori.
- ▶ Quando ci si sposta tra aree di lavoro o al di sopra di aree pavimentate e ostacoli a terra.
- ▶ Ogni volta che lasci la macchina incustodita.
- ▶ Durante il rifornimento.
- ▶ Durante la pulizia o la manutenzione.
- ▶ Durante il trasporto.
- ▶ Prima dello stoccaggio.

AVVERTIMENTO

Secondo le normative vigenti, l'apparecchio non deve mai essere utilizzato sulla rete dell'acqua potabile senza separatore d'impianto. Assicurarsi che il collegamento dell'impianto idrico dell'edificio su cui viene azionata l'idropulitrice sia dotato di un separatore di sistema. L'acqua che è passata attraverso i disconnettori è considerata non potabile.

PERICOLI DA RUMORE E VIBRAZIONI

I livelli di rumore e vibrazione indicati in queste istruzioni sono i livelli massimi per l'utilizzo della macchina. Una manutenzione insufficiente ha un impatto significativo sulle emissioni di vibrazioni e rumore. Di con-

seguenza, è necessario adottare misure preventive per eliminare possibili danni dovuti a livelli elevati di rumore e sollecitazioni da vibrazioni. Effettuare una buona manutenzione della macchina, indossare dispositivi di protezione dell'udito, guanti antivibranti e fare delle pause durante il lavoro. Azionare la macchina a velocità stabile e afferrare saldamente le impugnature con una forza adeguata può ridurre il livello di vibrazioni. Durante una giornata lavorativa, è necessario fare pause frequenti e adeguate per evitare danni da vibrazioni e danni alle orecchie. L'esposizione prolungata alle vibrazioni può causare lesioni e disturbi neurovascolari, soprattutto alle persone che soffrono di disturbi della circolazione. I sintomi possono riguardare mani, polsi e dita e si manifestano con perdita di sensibilità, torpore, prurito, dolore e scolorimento o alterazioni strutturali della pelle. Questi effetti possono essere aggravati dalle basse temperature ambientali o dall'eccessiva presa delle impugnature. Se si verificano tali sintomi, è necessario ridurre il tempo di utilizzo della macchina e consultare un medico.

PERICOLI NELL'AREA DI LAVORO

Ispezionare accuratamente l'intera area di lavoro e utilizzare un rastrello o una spazzola da giardino per allentare manualmente i detriti e rimuovere tutto ciò che potrebbe essere proiettato dalla macchina, essere una fonte pericolosa o causare danni alla macchina se investito (sassi, rami, filo di ferro, ossa eccetera.). Verificare che non vi siano astanti, animali o oggetti che potrebbero essere danneggiati entro almeno 15 metri dal raggio di azione della macchina.

Lavorare solo alla luce del giorno, o con adeguata luce artificiale, in buone condizioni di visibilità. Cerca di non causare alcun disturbo acustico, utilizzando questa macchina solo in orari ragionevoli della giornata.

Assumi una posizione ferma ed equilibrata. Ove possibile, evitare di lavorare su terreni bagnati, sdrucciolevoli o comunque su terreni sconnessi o scoscesi che non garantiscono stabilità all'operatore.

I getti ad alta pressione possono essere pericolosi. Per ridurre il rischio di danni o lesioni, non dirigere il getto d'acqua direttamente su persone, animali domestici, proprietà sensibili, apparecchiature elettriche sotto tensione o sulla macchina stessa.

Il getto d'acqua emesso dall'ugello ad alta pressione determina una forza repulsiva che agisce sulla pistola a spruzzo manuale. Assicurarsi di avere un appoggio stabile e di tenere saldamente con entrambe le mani anche la pistola a spruzzo manuale e la lancia a spruzzo.

PERICOLI RESIDUI

La macchina è stata costruita utilizzando moderne tecnologie e nel rispetto delle riconosciute norme di sicurezza. Anche quando tutte le misure di sicurezza sono in atto, possono essere presenti alcuni pericoli residui, che non sono ancora evidenti. L'operatore deve usare il buon senso e prendere le precauzioni necessarie per evitare rischi dovuti a pericoli rimanenti.

SPECIFICHE DEL PRODOTTO

USO PREVISTO

Questo prodotto è stato progettato e realizzato per essere utilizzato per la pulizia di veicoli, edifici, terraz-

ze, facciate e altro utilizzando acqua fredda pulita e detersivi chimici biodegradabili.

Qualsiasi altro utilizzo diverso da quelli sopra indicati potrebbe essere pericoloso, arrecare danno a persone e/o danneggiare cose e la macchina.

AVVERTIMENTO

L'apparecchio è stato progettato per l'uso con il detersivo fornito o consigliato dal produttore. L'uso di altri detersivi o prodotti chimici può compromettere la sicurezza dell'apparecchio.

AVVERTIMENTO

Scaricare la pressione residua e della pompa prima di scollegare il tubo dal prodotto. Spegnerne l'idropulitrice, quindi chiudere il rubinetto dell'acqua e infine premere il grilletto della pistola fino a far uscire l'acqua dalla pompa.

USO IMPROPRIO

La macchina non deve essere utilizzata per la movimentazione di materiali pericolosi, ad es. accumulo di prodotti infiammabili o esplosivi, materiale solido o qualsiasi altro oggetto che possa essere pericoloso per la macchina stessa, nonché per l'operatore, gli astanti, gli animali o le cose.

Esempi di uso improprio possono includere, ma non sono limitati al funzionamento della macchina:

- ▶ Senza gli accessori specificatamente forniti dal produttore per usi specifici, o uso degli accessori in modo non previsto nelle presenti istruzioni;
- ▶ Ad un angolo operativo diverso dal livello del suolo.
- ▶ Con modifiche non autorizzate.
- ▶ Da più di una persona.

DATI TECNICI PAGINA 75

IDENTIFICAZIONE (FIG. 1-3)

1. Pistola e lancia
2. Tubo flessibile
3. Pompa
4. Ruota
5. Motore
6. Ugello
7. Maneggiare
8. Porta di riempimento dell'olio della pompa
9. Indicatore del livello dell'olio della pompa
10. Attacco per lo scarico dell'olio della pompa
11. Porta di ingresso dell'acqua
12. Porta di uscita dell'acqua
13. Ingresso detersivo
14. Manopola di regolazione della pressione
15. Tappo serbatoio carburante
16. Serbatoio di carburante
17. Avviamento a strappo
18. Filtro dell'aria
19. Candela
20. Silenziatore
21. Leva dello starter
22. Leva dell'acceleratore
23. Leva della valvola del carburante
24. Interruttore ON/OFF
25. Bocchettone di riempimento olio motore
26. Indicatore livello olio motore
27. Scarico olio motore

FUNZIONAMENTO

PREOPERAZIONE

Il disimballaggio e il completamento del montaggio devono essere effettuati su una superficie piana e stabile, con spazio sufficiente per movimentare la macchina e il suo imballo, avvalendosi sempre di attrezzature idonee (Fig. 5).

Prima di iniziare il lavoro per favore:

1. Controllare che tutte le viti siano fissate saldamente.
2. Controllare che il filtro dell'aria sia pulito.
3. Riempire il motore con olio e carburante come indicato di seguito.
4. Riempire la pompa con olio come indicato di seguito.

RIFORNIMENTO E LUBRIFICAZIONE

AVVERTIMENTO

Non fumare mai durante il rifornimento e tenere il carburante lontano da tutte le fonti di fuoco o scintille. Evitare di inalare i fumi della benzina e fare sempre rifornimento in luoghi esterni e ben aerati.

AVVERTIMENTO

Il motore viene consegnato senza olio e carburante. Questo è un motore a 4 tempi, il che significa che la benzina dovrebbe essere usata nel serbatoio del carburante e il carter del motore dovrebbe essere riempito con olio per motori a 4 tempi.

Specifiche del carburante: benzina senza piombo
Specifiche dell'olio: Utilizzare solo olio che soddisfi i requisiti della classe di servizio API SF o superiore e secondo la relativa tabella (Fig. 12).

Utilizzare sempre un contenitore pulito per conservare il carburante e non utilizzare carburante conservato per più di un mese.

Utilizzare un imbuto per evitare fuoriuscite di carburante o olio. Non riempire eccessivamente.

Per riempire il motore di carburante:

1. Rimuovere il tappo del serbatoio del carburante.

AVVERTIMENTO

Aprire con cautela la parte superiore del serbatoio poiché all'interno potrebbe essersi formata della pressione.

2. Aggiungere carburante al livello superiore del carburante (Fig. 13.2). Lasciare uno spazio minimo di 5 mm tra la parte superiore del carburante e il bordo interno del serbatoio per consentire l'espansione.
3. Riposizionare il tappo del serbatoio del carburante e serrare adeguatamente.

Per riempire il motore di olio:

1. Rimuovere il tappo di riempimento olio (Fig. 14.1). La parte inferiore di esso è l'indicatore del livello dell'olio (astina di livello dell'olio).
2. Aggiungere olio quanto basta per portare il livello dell'olio tra il limite superiore (Fig. 14.3) e inferiore (Fig. 14.4) dell'astina di livello dell'olio. La misurazione deve essere eseguita con l'asta di livello posizionata, ma non avvitata, nel bocchettone di riempimento.
3. Riposizionare il tappo dell'olio e serrare adeguatamente.

AVVERTIMENTO

Asciugare il carburante e l'olio versati prima di avviare il motore.

Per riempire la pompa di olio:

1. Rimuovere il tappo di spedizione (Fig. 6.1).
2. Aggiungere olio a sufficienza per portare il livello dell'olio tra il limite superiore (Fig. 6.3) e inferiore (Fig. 6.4) dell'indicatore di livello dell'olio.
3. Posizionare il nuovo tappo dell'olio (Fig. 6.2) e serrare opportunamente.

AVVIO DELL'UNITÀ**AVVERTIMENTO**

Prima di avviare il motore, assicuratevi che sia la macchina che voi siete su un terreno stabile.

AVVERTIMENTO

Il funzionamento a secco per più di 2 minuti può danneggiare la pompa ad alta pressione. Se l'apparecchio non crea pressione entro 2 minuti, spegnere l'apparecchio e contattare il rivenditore più vicino.

Per avviare il motore:

1. Assemblare la pistola e la lancia insieme (Fig. 7).
2. Assemblare il tubo alta pressione (Fig. 8.2) sulla bocca di uscita dell'acqua (Fig. 8.1).
3. Assemblare la pistola e la lancia all'estremità libera del tubo.
4. Montare il tubo di alimentazione dell'acqua (Fig. 9.2) sulla bocca di ingresso dell'acqua (Fig. 9.1) della pompa, utilizzando gli appositi raccordi e filtro.

AVVERTIMENTO

Prima di collegare il tubo di alimentazione dell'acqua all'ingresso dell'acqua, ispezionare la griglia di ingresso dell'acqua (Fig. 9.3). Pulisci lo schermo se contiene detriti e sostituisilo se danneggiato. Inoltre, assicurati che il tubo che stai per collegare sia privo di detriti. Utilizzare solo acqua fredda (inferiore a 40 °C) di portata non inferiore a 19 L/m e non inferiore a 1,3 bar di pressione.

5. Aprire l'approvvigionamento idrico.
6. Spostare la leva della valvola del carburante (Fig. 15.1) in posizione "ON".
7. Spostare la leva dell'aria (Fig. 16.1) in posizione "CHOKE".

NOTA

Questo passaggio si applica solo all'avviamento a freddo del motore. Quando il motore è già caldo o la temperatura ambiente è elevata, la leva dell'aria deve essere sempre in posizione "RUN".

8. Spostare l'interruttore ON/OFF in posizione "ON" (Fig. 17.1).
9. Afferrare saldamente l'impugnatura della macchina con la mano sinistra e l'impugnatura di avviamento (Fig. 18.2) del motore con la mano destra. Tirare la manopola di avviamento finché non si avverte resistenza per innestare il motore, quindi tirare con decisione per avviare il motore.

AVVERTIMENTO

Per evitare di rompere le fune di avviamento (Fig. 18.1), non tirarla per tutta la sua lunghezza né farla scorrere lungo il bordo del foro passacavo. Rilasciare gradualmente il motorino di avviamento, per evitare che torni indietro in modo incontrollato.

trollato.

10. Man mano che il motore si scalda, spostare gradualmente la leva dell'aria in posizione "RUN", se il motore è stato avviato a freddo.

NOTA

Per le massime prestazioni e affidabilità, lasciare che il motore si riscaldi prima di funzionare a pieno carico, facendolo funzionare per due o tre minuti al minimo.

FUNZIONAMENTO DELL'UNITÀ**AVVERTIMENTO**

Mantenere una distanza di almeno 30 cm tra il getto d'acqua ed eventuali oggetti sensibili o superfici verniciate per evitare danni.

AVVERTIMENTO

Impostare rigorosamente il motore in base alla potenza regolata sul manuale del proprietario. Non sovraccaricare, oltrepassare o far funzionare il motore a basso carico ea bassa velocità.

UGELLI

L'idropulitrice è dotata di cinque ugelli a spruzzo. Ogni ugello è codificato a colori e fornisce un modello di spruzzo e una pressione specifici per un particolare lavoro di pulizia:

- Rosso - 0°: questo ugello eroga un flusso preciso di acqua pressurizzata ed è estremamente potente. Copre solo una piccola area di pulizia. Questo ugello deve essere diretto solo su superfici che possono resistere ad alta pressione come cemento o metallo non verniciato. Non utilizzare su legno pulito.
- Giallo - 15°: questo ugello offre un potente getto di 15° per una pulizia intensa di piccole aree. Questo ugello deve essere diretto solo su superfici che possono resistere ad alta pressione come cemento o metallo non verniciato.
- Verde - 25°: questo ugello offre un getto di 25° per una pulizia intensa di aree più grandi. Questo ugello deve essere diretto solo su superfici che possono resistere ad alta pressione come cemento o metallo non verniciato.
- Bianco - 40°: questo ugello eroga un getto di 40° e un getto d'acqua meno potente. Questo ugello può coprire un'ampia area e dovrebbe essere utilizzato per la maggior parte dei lavori di pulizia generali.
- Nero - Detergente: questo ugello viene utilizzato per applicare soluzioni chimiche e detergenti speciali. Anche la pressione di uscita della macchina deve essere ridotta quando si utilizza questo ugello.

USO DI PRODOTTI CHIMICI**AVVERTIMENTO**

Utilizzare solo detergenti appositamente progettati per idropultrici. Detergenti non idonei possono danneggiare la pompa.

Per utilizzare il detersivo con l'idropulitrice (Fig. 11):

1. Collegare il tubo del detersivo alla porta di ingresso del detersivo della pompa.
2. Metti l'altra estremità del tubo del detersivo nel contenitore del detersivo.
3. Montare l'ugello del detersivo sulla lancia (Fig. 10).

- Spruzzare il detergente su una superficie asciutta.
- Lasciare agire il detersivo sulla superficie per 3-5 minuti.
- Sciacquare il detergente dalla superficie con acqua pulita.

AVVERTIMENTO

Dopo aver utilizzato il detergente è importante pulire l'idropulitrice con acqua pulita. Far scorrere acqua pulita attraverso l'idropulitrice per un paio di minuti, dopo aver rimosso l'alimentazione del detersivo.

ARRESTO DELL'UNITÀ

AVVERTIMENTO

Evitare di arrestare il motore improvvisamente ad alta velocità o sotto carico pesante per evitare guasti al motore.

Per fermare la macchina:

- Spostare l'interruttore ON/OFF in posizione "OFF" (Fig. 17.2).
- Spostare la leva della valvola del carburante in posizione "OFF".
- Chiudere l'alimentazione dell'acqua.
- Premere la leva della pistola finché l'acqua rimanente nella pompa, nei tubi e nella pistola non viene rilasciata.

MANUTENZIONE E PULIZIA

AVVERTIMENTO

Non eseguire mai la manutenzione o la pulizia con l'unità in funzione. Lavorare sempre su un'unità fredda. Prima di eseguire operazioni di pulizia o manutenzione, scollegare il cappuccio della candela e leggere le relative istruzioni. Indossa sempre abiti adeguati e guanti protettivi ogni volta che le tue mani sono a rischio.

Eventuali regolazioni o operazioni di manutenzione non descritte in questo manuale devono essere eseguite dal vostro Concessionario o da un Centro Assistenza autorizzato con le conoscenze e le attrezzature necessarie per garantire che il lavoro venga eseguito correttamente mantenendo il livello di sicurezza originale della macchina. Eventuali operazioni eseguite in centri non autorizzati o da persone non qualificate faranno decadere totalmente la Garanzia e tutti gli obblighi e le responsabilità del Costruttore.

Tenere serrati tutti i dadi e le viti per assicurarsi che la macchina sia sempre in condizioni di lavoro sicure. La manutenzione ordinaria è essenziale per la sicurezza e per mantenere un alto livello di prestazioni.

AVVERTIMENTO

Non utilizzare mai la macchina con parti usurate o danneggiate. Le parti difettose o usurate devono essere sempre sostituite e non riparate. Utilizzare solo ricambi originali.

PROGRAMMA DI MANUTENZIONE

Elementi		Frequenza					
		Prima di ogni utilizzo	Dopo il 1° mese o 10 ore di funzionamento	Ogni 3 mesi o 50 ore di funzionamento	Ogni 6 mesi o 100 ore di funzionamento	Ogni 12 mesi o 200 ore di funzionamento	
Unità completa	Dai un'occhiata	√					
Maniglie di controllo	Dai un'occhiata	√					
Olio motore	Verifica - Ricarica	√					
	Sostituire		√		√		
Olio pompa	Verifica - Ricarica	√					
	Sostituire		√		√		
Filtro dell'aria	Controlla - Pulisci	√*	√				
	Sostituire					√	
Filtro del carburante	Controlla - Pulisci				√*		
Tubo del carburante	Controlla - Pulisci					√*	
Deposito tazza	Controlla - Pulisci				√		
Gioco valvole	Controlla - Regola					√**	

*Questi articoli devono essere sostituiti se necessario.
 **Questi articoli devono essere mantenuti e riparati solo da un rivenditore autorizzato, che disponga degli strumenti appropriati e della competenza meccanica richiesta.

OLIO MOTORE E POMPA

AVVERTIMENTO

Il controllo del livello e il cambio dell'olio devono essere effettuati su un terreno solido e piano. Il motore deve essere sempre spento. Se il motore era in funzione, sarà caldo e la procedura deve essere eseguita con cura per evitare il pericolo di ustioni.

Per controllare il livello dell'olio motore:

- Rimuovere il tappo di riempimento dell'olio.
- Pulisci l'asta di livello dell'olio.
- Inserire l'asta livello olio nel bocchettone di riempimento olio, senza avvitarla.
- Rimuovere l'astina di livello dell'olio e controllare il livello dell'olio indicato su di essa. Se necessario, riempire con olio fino al livello superiore.
- Posizionare l'asta di livello dell'olio e serrare adeguatamente.

Per cambiare l'olio motore:

NOTA

Scaricare l'olio usato mentre il motore è caldo. L'olio caldo si scarica rapidamente e completamente.

1. Rimuovere il tappo di riempimento dell'olio dal bocchettone di riempimento dell'olio motore.
2. Posizionare un contenitore adatto (Fig. 19.3) sotto il foro di scarico dell'olio (Fig. 19.2) per raccogliere l'olio esausto.
3. Rimuovere il tappo di scarico dell'olio (Fig. 19.4) e la rondella (Fig. 19.5) per far defluire completamente l'olio.
4. Riposizionare il tappo di scarico olio con la relativa rondella e serrare opportunamente.
5. Aggiungere gradualmente olio quanto basta per portare il livello dell'olio al bordo del bocchettone di riempimento dell'olio, fino al livello superiore e non inferiore al livello inferiore.
6. Riposizionare il tappo di riempimento dell'olio e serrare adeguatamente.

NOTA

Se il motore funziona frequentemente in condizioni polverose o di altro tipo, cambiare l'olio motore ogni 10 ore.

Per controllare il livello dell'olio della pompa:

1. Rimuovere il tappo di riempimento dell'olio.
2. Controllare il livello dell'olio sull'indicatore dell'olio. Se necessario, riempire con olio fino al livello superiore.
3. Posizionare il tappo di riempimento dell'olio in posizione e serrare adeguatamente.

Per cambiare l'olio della pompa:

1. Rimuovere il tappo di riempimento dell'olio.
2. Posizionare un contenitore adatto sotto il foro di scarico dell'olio per raccogliere l'olio usato.
3. Rimuovere il tappo di scarico dell'olio e la rondella per consentire all'olio di defluire completamente.
4. Riposizionare il tappo di scarico olio con la relativa rondella e serrare opportunamente.
5. Aggiungere gradualmente olio quanto basta per portare il livello dell'olio fino al livello superiore e non inferiore al livello inferiore.
6. Riposizionare il tappo di riempimento dell'olio e serrare adeguatamente.

AVVERTIMENTO:

Far funzionare il motore o la pompa ridurrà il livello dell'olio causerà danni al motore.

NOTA

Smaltire l'olio motore usato e i contenitori in modo compatibile con l'ambiente. Ti consigliamo di portarlo in un contenitore sigillato al tuo centro di riciclaggio locale o alla stazione di servizio per il recupero. Non gettarlo nella spazzatura, non versarlo a terra o versarlo in uno scarico.

FILTRO DELL'ARIA**AVVERTIMENTO**

Il funzionamento del motore senza filtro dell'aria, o con un filtro dell'aria danneggiato, consentirà allo sporco di entrare nel motore, causando una rapida usura del motore.

Per controllare, pulire o sostituire il filtro dell'aria:

1. Rimuovere il coperchio del filtro dell'aria (Fig. 20.1).
2. Assicurarsi che l'elemento del filtro dell'aria

(Fig. 20.2) sia privo di sporco e in buone condizioni. Se è sporco, rimuoverlo e pulirlo. Per pulire un elemento del filtro dell'aria in schiuma, lavarlo con detersivo per la casa e acqua calda e lasciarlo asciugare. Quindi immergerlo in olio motore saturo pulito e spremere delicatamente l'olio in eccesso. Se necessario, sostituirlo con uno nuovo. Per pulire un elemento del filtro dell'aria in carta, pulire lo sporco leggero picchiettandolo delicatamente alcune volte su una superficie dura e sostituirlo se è presente sporco pesante.

3. Pulire l'interno della scatola del filtro dell'aria e coprire dallo sporco con un panno morbido. Se il motore è dotato di filtro dell'aria del tipo a bagno d'olio, sostituire l'olio con olio motore nuovo.
4. Reinstallare l'elemento del filtro dell'aria e seguire la procedura inversa per rimettere in posizione il coperchio del filtro dell'aria.

AVVERTIMENTO

Non pulire mai il filtro dell'aria con detergenti infiammabili o a basso punto di infiammabilità per evitare il rischio di incendio o esplosione.

NOTA

Se il motore funziona frequentemente in condizioni polverose o di altro tipo, pulire l'elemento del filtro dell'aria ogni 10 ore. Se necessario, sostituire l'elemento del filtro dell'aria ogni 25 ore.

CANDELA

Per la manutenzione della candela (Fig. 21):

1. Rimuovere il cappuccio della candela per accedere alla candela.
2. Utilizzare uno strumento per candele appropriato per rimuovere con attenzione la candela.
3. Ispezionare le condizioni della candela e del suo elettrodo. Deve essere pulito e non indossato. Verificare che la distanza tra gli elettrodi sia compresa tra 0,7 e 0,8 mm (Fig. 8). Se necessario, sostituire la candela con una nuova.
4. Infilare a mano con cautela la candela nel motore.
5. Una volta filettata, utilizzare l'apposito attrezzatura per candele per serrare la candela, facendo attenzione a non esercitare una forza eccessiva danneggiando le filettature.
6. Rimontare il cappuccio della candela.

AVVERTIMENTO

Non permettere mai che sporco o detriti entrino nell'alesaggio del cilindro. Prima di rimuovere la candela, pulire accuratamente la candela e l'area della testata.

TAZZA SEDIMENTI CARBURANTE**AVVERTIMENTO**

Mantenere il carburatore del carburante solo all'aperto e in aree ben ventilate.

Per mantenere la coppa di sedimentazione del carburante (Fig. 22):

1. Portare la valvola del carburante in posizione "OFF".
2. Rimuovere la coppa del sedimento del carburante del carburatore con il suo anello di tenuta in gomma.

3. Lavare le parti rimosse in solvente, asciugarle accuratamente.

AVVERTIMENTO

Non pulire mai la tazza di sedimentazione del carburante con detergenti infiammabili o a basso punto di infiammabilità per evitare il rischio di incendio o esplosione.

4. Se necessario, sostituire l'anello di tenuta in gomma con uno nuovo.
5. Reinstallare l'anello di tenuta in gomma e la coppa dei sedimenti e fissarli in posizione.
6. Portare la valvola del carburante in posizione "ON" e controllare eventuali perdite di carburante.

FILTRO DEL CARBURANTE

Il serbatoio del carburante può essere dotato di un filtro, a seconda del modello di motozappa, situato in corrispondenza del tappo del serbatoio. Il filtro del carburante può essere estratto e deve essere controllato periodicamente. Se il filtro è sporco, pulirlo e sostituirlo con uno nuovo quando necessario. Nel caso in cui l'interno del serbatoio del carburante sia sporco, può essere pulito risciacquando il serbatoio del carburante con benzina pulita.

PULIZIA

Utilizzare una piccola spazzola morbida per pulire l'esterno dell'unità. Non utilizzare detergenti forti. I detergenti per la casa che contengono oli aromatici come pino e limone e solventi come il cherosene possono danneggiare l'alloggiamento o il manico in plastica. Eliminare l'umidità con un panno morbido.

CONSERVAZIONE

AVVERTIMENTO

Non riporre mai l'unità con il carburante nel serbatoio e lasciare sempre che l'unità si raffreddi prima di riparla. Conservare l'unità solo in aree asciutte e ben ventilate.

AVVERTIMENTO

L'apparecchio e gli accessori non completamente svuotati possono essere distrutti dal gelo o dalla muffa. Per evitare danni:

1. Spegnerne l'apparecchio.
2. Chiudere l'alimentazione dell'acqua.
3. Staccare la lancia a spruzzo dalla pistola a grilletto.
4. Spingere la leva della pistola a grilletto fino a quando non esce più acqua.
5. Staccare l'apparecchio dalla rete idrica.

Nel caso in cui l'unità venga conservata per un periodo prolungato, utilizzare la seguente procedura di conservazione:

1. Scaricare tutto il carburante dal serbatoio e dal carburatore.
2. Sostituire l'olio motore con uno nuovo.
3. Rimuovere la candela e versare 30 ml di olio motore di alta qualità nel cilindro. Tirare lentamente la fune di avviamento per distribuire l'olio. Reinstallare la candela.
4. Pulire accuratamente l'unità e ispezionare eventuali parti allentate o danneggiate. Riparare o sostituire le parti danneggiate e serrare viti, dadi o bulloni allentati.
5. Lubrificare tutte le parti necessarie con un

panno umido d'olio per evitare l'accumulo di ruggine.

PROTEZIONE AMBIENTALE

Riciclare le materie prime invece di smaltire come rifiuti. La macchina, gli accessori e l'imballaggio devono essere selezionati per un riciclaggio rispettoso dell'ambiente. I componenti in plastica sono etichettati per il riciclaggio classificato.

Smaltire l'olio motore usato e i contenitori in modo compatibile con l'ambiente. Ti consigliamo di portarlo in un contenitore sigillato al tuo centro di riciclaggio locale o alla stazione di servizio per il recupero. Non gettarlo nella spazzatura, non versarlo a terra o versarlo in uno scarico.

GARANZIA

Questo prodotto è garantito in conformità con le normative legali/specifiche del paese, in vigore dalla data di acquisto da parte del primo utente. I danni attribuibili a normale usura, sovraccarico o manipolazione impropria saranno esclusi dalla garanzia. In caso di reclamo, inviare la macchina, completamente assemblata, al proprio rivenditore o al centro di assistenza ufficiale.

ΕΛΛΗΝΙΚΑ

ΓΕΝΙΚΕΣ ΠΡΟΕΙΔΟΠΟΙΗΣΕΙΣ ΑΣΦΑΛΕΙΑΣ

Διαβάστε και κατανοήστε αυτό το εγχειρίδιο κατόχου προτού θέσετε σε λειτουργία το παρόν μηχανήμα. Μπορείτε να αποφύγετε ατυχήματα αν είστε εξοικειωμένοι με τα χειριστήρια των προϊόντων και τηρώντας τις ασφαλείς διαδικασίες λειτουργίας και τα σήματα ασφαλείας. Χρησιμοποιείτε πάντα κοινή λογική σκέψη ώστε να αποφύγετε να βρεθείτε σε κατάσταση πέρα των δυνατοτήτων σας. Μη χρησιμοποιείτε το προϊόν όταν είστε κουρασμένοι ή υπό την επήρεια ναρκωτικών, αλκοόλ ή άλλων φαρμακευτικών σκευασμάτων. Κρατείστε παρειαυρισμένους και ζώα που θα μπορούσαν να τραυματιστούν, όπως και αντικείμενα που στα οποία θα μπορούσε να προκληθεί βλάβη, μακριά κατά τη λειτουργία του μηχανήματος. Μη επιτρέψετε σε παιδιά ή όσους δεν είναι εξοικειωμένοι με τις οδηγίες χρήσης να χρησιμοποιήσουν ή απρόσμενα γεγονότα που τυχόν προκληθούν σε άλλους ανθρώπους, ζώα ή την περιοχή τους. Μη εκθέτετε το προϊόν σε υπερβολική υγρασία, σκόνη, βρωμιά ή διαβρωτικούς ατμούς. Μην προσαρμόζετε στο μηχανήμα εξοπλισμό ή αξεσουάρ που μη εγκεκριμένα από τον κατασκευαστή. Ποτέ μην επιχειρήσετε να τροποποιήσετε το προϊόν. Μη εξουσιοδοτημένες τροποποιήσεις ή αξεσουάρ μπορεί να οδηγήσουν σε σοβαρό τραυματισμό ή θάνατο του χειριστή ή άλλων. Συμβουλευτείτε τον εξουσιοδοτημένο αντιπρόσωπό σας για αποσυμφορμόλογη και επισκευή, που δεν καλύπτεται σε αυτό το εγχειρίδιο. Εάν κάτι σπάσει ή συμβεί ατύχημα κατά τη διάρκεια της εργασίας, απενεργοποιήστε αμέσως το μηχανήμα και μετακινήστε το για να αποφύγετε περαιτέρω ζημιές. Σε περίπτωση που ένα ξένο σώμα εισέλθει στο μηχανήμα, σταματήστε το αμέσως, επιθεωρήστε το για τυχόν ζημιές και πραγματοποιήστε ειδικευές προτού το ξαναρχίσετε.

ΠΡΟΣΤΑΤΕΥΤΙΚΟΣ ΕΞΟΠΛΙΣΜΟΣ

Να χρησιμοποιείτε πάντα σχετικό και εγκεκριμένο προστατευτικό εξοπλισμό όταν χρησιμοποιείτε το μηχανήμα. Να φοράτε πάντα ρουχισμό που δεν περιορίζει τις κινήσεις σας , προστατευτικά γάντια, γυαλιά, μάσκα αναπνοής, προστατευτικό εξοπλισμό ακοής και μπότες προστασίας με σόλες υψηλής πρόσφυσης. Να μην φοράτε κασκόλ, κολιέ ή οποιαδήποτε αξεσουάρ που κρέμεται ή περισσεύει και θα μπορούσε να παγιδευτεί στο μηχανήμα. Μαζέψτε τα μαλλιά σας αν είναι μακριά.

ΚΙΝΔΥΝΟΙ ΔΗΛΗΤΗΡΙΑΣΗΣ

Λειτουργεί μόνο σε εξωτερικούς και καλά αεριζόμενους χώρους. Όταν λειτουργεί ο κινητήρας, παράγει δηλητηριώδες μονοξείδιο του άνθρακα, ένα άοσμο και άχρωμο αέριο. Η εισπνοή μονοξειδίου του άνθρακα θα προκαλέσει ναυτία, λιποθυμία ή θάνατο. Μην λειτουργείτε το μηχανήμα σε περιορισμένο χώρο όπου μπορεί να αναπτυχθούν επικίνδυνοι καπνοί μονοξειδίου του άνθρακα ή κοντά σε ανοιχτά

παράθυρα. Το καύσιμο και το λάδι είναι εξαιρετικά τοξικά. Μην εισπνέετε τις αναθυμιάσεις εξάτμισης του καυσίμου και να φοράτε πάντα κατάλληλο προστατευτικό εξοπλισμό όταν χειρίζεστε. Να αποθηκεύετε πάντα καύσιμο και λάδι σε εγκεκριμένα δοχεία και να απορρίπτετε υπεύθυνα.

ΚΙΝΔΥΝΟΙ ΠΡΟΚΛΗΣΗΣ ΠΥΡΚΑΓΙΑΣ ΚΑΙ ΕΓΚΑΥΜΑΤΟΣ

Ορισμένα μέρη του μηχανήματος θερμαίνονται αρκετά ώστε να αναφλέξουν εύφλεκτα υλικά. Μην το χρησιμοποιείτε σε περιοχές με υψηλό κίνδυνο πυρκαγιάς. Μην κατευθύνετε την έξοδο της εξάτμισης και, ως εκ τούτου, τα καυσαέρια προς εύφλεκτα υλικά.

Ορισμένα μέρη του μηχανήματος ζεσταίνονται αρκετά ώστε να προκαλέσουν εγκαύματα. Προσέξτε να μην τα αγγίζετε για να αποφύγετε να καείτε. Αφήστε το μηχανήμα να κρυώσει πριν το αποθηκεύσετε.

Το καύσιμο και το λάδι είναι εύφλεκτα. Ακολουθήστε τις οδηγίες που παρέχονται από κάθε κατασκευαστή πριν από τη χρήση. Διατηρείτε πάντα μακριά πιθανές πηγές φωτιάς ή σπινθήρες. Μην καπνίζετε κοντά στο μηχανήμα ή κοντά σε καύσιμο και λάδι. Να ανεφοδιάζετε μόνο σε εξωτερικούς, καλά αεριζόμενους χώρους, με τον κινητήρα σβηστό. Ανοίξτε αργά το ρεζερβουάρ καυσίμου για να επιτρέψετε στην πίεση στο εσωτερικό να μειωθεί σταδιακά. Μην γεμίζετε υπερβολικά το ρεζερβουάρ καυσίμου. Βεβαιωθείτε ότι υπάρχει κάποια απόσταση μεταξύ οποιουδήποτε δοχείου αναπλήρωσης καυσίμου και της μονάδας, για να αποφύγετε περριττός κινδύνους. Βεβαιωθείτε ότι έχετε καθαρίσει τυχόν χυμένο καύσιμο και λάδι πριν ξεκινήσετε τον κινητήρα. Σε περίπτωση πυρκαγιάς, χρησιμοποιήστε έναν κατάλληλο πυροσβεστήρα ειδικά σχεδιασμένο για φωτιά λαδιού και καυσίμου.

ΠΡΟΕΙΔΟΠΟΙΗΣΕΙΣ ΑΣΦΑΛΕΙΑΣ ΚΑΤΗΓΟΡΙΑΣ

ΑΣΦΑΛΗΣ ΛΕΙΤΟΥΡΓΙΑ

Όλοι οι μοχλοί λειτουργίας του μηχανήματος πρέπει να μετακινούνται εύκολα μεταξύ των θέσεων τους και να μη χρειάζεται πίεση. Τα ηλεκτρικά καλώδια και ειδικά το καλώδιο του μπουζί πρέπει να είναι σε άριστη κατάσταση για αποφυγή σπινθήρων και το η πίπα του μπουζί πρέπει να είναι ορθά τοποθετημένη στο μπουζί. Οι χειρολαβές και οι προστασίες του μηχανήματος πρέπει να είναι καθαρές, στεγνές και επαρκώς σφιγμένες στις θέσεις τους στο μηχανήμα. Πάντα να ελέγχετε για αντικείμενα που ενδέχεται να μπλοκάρουν την εισαγωγή αέρα πριν αρχίσετε να εργάζεστε. Μια φραγμένη εισαγωγή αέρα μειώνει την απόδοση του μηχανήματος και αυξάνει τη θερμοκρασία λειτουργίας του κινητήρα, η οποία μπορεί να οδηγήσει σε βλάβη του κινητήρα. Βεβαιωθείτε ότι έχετε σταματήσει τον κινητήρα:

- Όταν προσαρμόζετε ή αφαιρείτε αξεσουάρ.
- Όταν μετακινείτε μεταξύ θέσεων εργασίας ή πάνω από διαδρόμους και εμπόδια στο έδαφος.
- Όποτε αφήνετε το μηχανήμα χωρίς επίβλεψη.
- Κατά τον ανεφοδιασμό.
- Κατά τον καθαρισμό ή τη συντήρηση.

- ▶ Κατά την μεταφορά.
- ▶ Πριν την αποθήκευση.

ΠΡΕΙΔΟΠΟΙΗΣΗ

Σύμφωνα με τους ισχύοντες κανονισμούς, η συσκευή δεν πρέπει ποτέ να χρησιμοποιείται στο δίκτυο πόσιμο νερού χωρίς διαχωριστή συστήματος. Βεβαιωθείτε ότι η σύνδεση της εγκατάστασης νερού του κτιρίου σας στην οποία λειτουργεί το μηχανήμα καθαρισμού υψηλής πίεσης είναι εξοπλισμένη με διαχωριστή συστήματος. Το νερό που έχει περάσει μέσα από τα προστατευτικά αντιστροφής ροής θεωρείται μη πόσιμο.

ΚΙΝΔΥΝΟΙ ΘΟΡΥΒΟΥ ΚΑΙ ΔΟΝΗΣΩΝ

Τα επίπεδα θορύβου και δονήσεων που αναφέρονται στις οδηγίες χρήσης είναι τα μέγιστα για τη χρήση του μηχανήματος. Μη επαρκής συντήρηση έχει σημαντικό αντίκτυπο στις εκπεμπόμενες δονήσεις και στο θόρυβο. Επομένως, είναι απαραίτητο να λαμβάνετε προληπτικά μέτρα για να εξαλείψετε πιθανό κίνδυνο λόγω υψηλού επιπέδου δονήσης ή θορύβου. Να διατηρείται το μηχανήμα σε καλή κατάσταση, να φοράτε προστασία ακοής, γάντια προστασίας από τις δονήσεις και να κάνετε διαλείμματα κατά την εργασία. Το να λειτουργείτε το μηχανήμα σε σ ταθερή ταχύτητα και να κρατάτε τα χειριστήρια με καλή και επαρκούς δύναμη λαβή μπορεί να ελαττώσει το επίπεδο δονήσεων. Κατά τη διάρκεια μιας μέρας εργασίας, θα πρέπει να κάνετε συχνά και επαρκή διαλείμματα για να αποφύγετε τυχόν ζημιά λόγω δονήσεων και βλάβη ακοής. Παρατεταμένη έκθεση σε δονήσεις μπορεί να προκαλέσει τραυματισμούς και νευροαγγειακές διαταραχές, ειδικά σε άτομα που πάσχουν από διαταραχές του κυκλοφοριακού. Τα συμπτώματα μπορεί να αφορούν τα χέρια, τους καρπούς και τα δάχτυλα και εμφανίζονται μέσω απώλειας ευαισθησίας, νέκρωσης αίσθησης, κνησμό, πόνο και αποχρωματισμό ή δομικές αλλαγές του δέρματος. Τα παραπάνω μπορεί να επιδεινωθούν υπό χαμηλές περιβαλλοντολογικές συνθήκες ή όταν πιάνετε τις χειρολαβές υπερβολικά σφικτά. Εάν εμφανιστούν τα συμπτώματα, ο χρόνος που χρησιμοποιείται το μηχανήμα πρέπει να μειωθεί και να συμβουλευτείτε έναν γιατρό.

ΚΙΝΔΥΝΟΙ ΣΧΕΤΙΚΟΙ ΜΕ ΤΗΝ ΠΕΡΙΟΧΗ ΕΡΓΑΣΙΑΣ

Επιθεωρήστε διεξοδικά ολόκληρο το χώρο εργασίας και χρησιμοποιήστε μια τσουγκράνα ή σκούπα για να χαλαρώσετε τυχόν υπολείμματα και να αφαιρέσετε οτιδήποτε μπορεί να εκτοξευτεί από το μηχανήμα, να αποτελέσει πηγή κινδύνου ή να προκαλέσει βλάβη στο μηχανήμα εάν περάσει από πάνω του (πέτρες, κλαδιά, σύρμα, κόκκαλα, κτλ.). Ελέγξτε ότι δεν υπάρχουν παρευρισκόμενοι, κατοικίδια ζώα ή αντικείμενα που θα μπορούσαν να υποστούν ζημιά σε απόσταση τουλάχιστον 15m του εύρους εργασίας του μηχανήματος.

Εργαστείτε μόνο κατά τη διάρκεια της ημέρας ή με καλό τεχνητό φως σε καλές συνθήκες ορατότητας. Προσπαθήστε να μην προκαλέσετε αναταραχή λόγω θορύβου, χρησιμοποιώντας το μηχανήμα μόνο σε λογικές ώρες της ημέρας.

Διατηρείτε γερή και καλή ισορροπία θέσε εργασίας. Όπου είναι δυνατόν, αποφύγετε να εργάζεστε σε υγρό, ολισθηρό έδαφος ή σε κάθε περίπτωση σε ανώμαλο ή

απότομο έδαφος που δεν εγγυάται σταθερότητα για τον χειριστή.

Οι πίδακες υψηλής πίεσης μπορεί να είναι επικίνδυνοι. Για να μειώσετε τον κίνδυνο ζημιάς ή τραυματισμού, μην κατευθύνετε το ψεκασμό νερού απευθείας σε ανθρώπους, κατοικίδια, ευαίσθητα αντικείμενα, ηλεκτρολογικό εξοπλισμό ή το ίδιο το μηχανήμα.

Ο πίδακας νερού που εκπέμπεται από το ακροφύσιο υψηλής πίεσης εξαιτίας αποτελεσματισμού απώθησης που ενεργεί στο πιστόλι χειρός. Βεβαιωθείτε ότι στέκεστε γερά σε σταθερό έδαφος και κρατάτε το πιστόλι και την κάννη ψεκασμού σταθερά και με τα δύο χέρια.

ΕΝΑΠΟΜΕΙΝΑΝΤΕΣ ΚΙΝΔΥΝΟΙ

Το μηχανήμα κατασκευάστηκε χρησιμοποιώντας σύγχρονη τεχνολογία και σύμφωνα με αναγνωρισμένους κανόνες ασφαλείας. Ακόμη και όταν εφαρμόζονται όλα τα μέτρα ασφαλείας, ενδέχεται να υπάρχουν ορισμένοι εναπομεινάντες κίνδυνοι, οι οποίοι δεν είναι ακόμη εμφανείς. Ο χειριστής πρέπει να χρησιμοποιεί την κοινή λογική και να λαμβάνει τις απαραίτητες προφυλάξεις για να αποφύγει τον κίνδυνο λόγω τυχόν εναπομεινάντων κινδύνων.

ΠΡΟΔΙΑΓΡΑΦΕΣ ΠΡΟΪΟΝΤΟΣ

ΠΡΟΒΛΕΠΟΜΕΝΗ ΧΡΗΣΗ

Αυτό το προϊόν σχεδιάστηκε και κατασκευάστηκε για να χρησιμοποιείται για τον καθαρισμό οχημάτων, κτιρίων, ταρατσών, προσώπων και άλλων, χρησιμοποιώντας καθαρό κρύο νερό και βιοδιασπώμενα χημικά απορρυπαντικά.

Κάθε διαφορετική χρήση από τις παραπάνω αναφερόμενες θα μπορούσε να είναι επικίνδυνη, να προκαλέσει βλάβη σε ανθρώπους ή/ και ζημιά σε υλικά και το μηχανήμα.

ΠΡΕΙΔΟΠΟΙΗΣΗ

Η συσκευή έχει σχεδιαστεί για χρήση με το καθαριστικό που παρέχεται ή συνιστάται από τον κατασκευαστή. Η χρήση άλλων καθαριστικών ή χημικών ουσιών μπορεί να επηρεάσει αρνητικά την ασφάλεια της συσκευής.

ΠΡΕΙΔΟΠΟΙΗΣΗ

Εκκewώστε την υπολειπόμενη πίεση δικτύου και αντλίας πριν αποσυνδέσετε τον εύκαμπτο σωλήνα από το προϊόν. Απενεργοποιήστε το πλυστικό νερού, στη συνέχεια κλείστε την παροχή του νερού και τέλος πατήστε τη σκανδάλη του πιστολιού μέχρι να απελευθερωθεί το νερό από την αντλία.

ΜΗ ΠΡΟΒΛΕΠΟΜΕΝΗ ΧΡΗΣΗ

Το μηχανήμα δεν πρέπει να χρησιμοποιείται για χειρισμό επικίνδυνων υλικών, π.χ. συσσωρευση εύφλεκτων ή εκρηκτικών προϊόντων, στερεού υλικού ή οποιουδήποτε άλλου αντικειμένου που θα μπορούσε να είναι επικίνδυνο για το ίδιο το μηχανήμα καθώς και για τον χειριστή, τους παρευρισκόμενους, τα ζώα ή την ιδιοκτησία.

Παραδείγματα μη προβλεπόμενης χρήσης μπορεί να περιλαμβάνουν, αλλά δεν περιορίζονται σε λειτουργία του μηχανήματος:

- ▶ Χωρίς εξαρτήματα που παρέχονται αποκλειστικά από τον κατασκευαστή για ειδικές χρήσεις, ή με τρόπο που δεν είναι σύμφωνος με τις παρούσες

- οδηγίες χρήσης.
- ▶ Σε γωνία λειτουργίας διαφορετική από αυτή του επιπέδου προς το έδαφος.
- ▶ Με μη εξουσιοδοτημένες παρεμβάσεις στο μηχανήμα.
- ▶ Από περισσότερα του ενός ατόμου.

ΤΕΧΝΙΚΑ ΧΑΡΑΚΤΗΡΙΣΤΙΚΑ ΣΕΛΙΔΑ 76

ΤΑΥΤΟΠΟΙΗΣΗ ΜΕΡΩΝ (ΕΙΚ. 1-3)

1. Πιστόλι και κάννη
2. Λάστιχο
3. Αντλία
4. Τροχός
5. Κινητήρας
6. Ακροφύσιο
7. Χειρολαβή
8. Οπή πλήρωσης λαδιού αντλίας
9. Δείκτης λαδιού αντλίας
10. Οπή απαστράγγισης λαδιού αντλίας
11. Είσοδος νερού
12. Έξοδος νερού
13. Είσοδος απορρυπαντικού
14. Ρυθμιστής πίεσης
15. Τάπα ρεζερβουάρ καυσίμου
16. Ρεζερβουάρ καυσίμου
17. Χειρόμιζα
18. Φίλτρο αέρος
19. Μπουζί
20. Εξάτμιση
21. Μοχλός τσοκ
22. Μοχλός ταχύτητας λειτουργίας
23. Μοχλός βαλβίδας καυσίμου
24. Διακόπτης ON/OFF
25. Οπή πλήρωσης λαδιού κινητήρα
26. Δείκτης λαδιού κινητήρα
27. Οπή απαστράγγισης λαδιού κινητήρα

ΛΕΙΤΟΥΡΓΙΑ

ΠΡΟΕΤΟΙΜΑΖΟΝΤΑΣ ΤΟ ΜΗΧΑΝΗΜΑ

Η αποσυσκευασία και η συναρμολόγηση πρέπει να γίνονται σε επίπεδη και σταθερή επιφάνεια, με επαρκή χώρο για τη μετακίνηση του μηχανήματος και της συσκευασίας του και με τη χρήση κατάλληλου εξοπλισμού (Εικ. 5).

Πριν ξεκινήσετε την εργασία παρακαλώ:

1. Βεβαιωθείτε ότι όλες οι βίδες είναι καλά σφιγμένες.
2. Βεβαιωθείτε ότι το φίλτρο αέρα είναι καθαρό.
3. Γεμίστε τον κινητήρα με λάδι και καύσιμο όπως υποδεικνύεται παρακάτω.
4. Γεμίστε την αντλία με λάδι όπως υποδεικνύεται παρακάτω.

ΚΑΥΣΙΜΟ ΚΑΙ ΛΙΠΑΝΣΗ

ΠΡΟΕΙΔΟΠΟΙΗΣΗ

Μην καπνίζετε όταν ανεφοδιάζετε με καύσιμο και διατηρείστε το καύσιμο μακριά από όλες τις πιθανές πηγές φωτιάς ή σπινθήρων. Αποφύγετε να εισπνεύσετε τις αναθυμιάσεις καυσίμου και ανεφοδιάστε πάντα σε εξωτερικό και καλά αεριζόμενο χώρο.

ΠΡΟΕΙΔΟΠΟΙΗΣΗ

Ο κινητήρας παραδίδεται χωρίς καύσιμο και λάδι. Ο παρόν είναι ένας 4-χρονο κινητήρας που σημαίνει

πως πρέπει πάντα να χρησιμοποιείτε βενζίνη ως καύσιμο και πως ο κινητήρας πρέπει να περιέχει λάδι 4-χρονο κινητήρα.

Προδιαγραφές καυσίμου: Αμόλυβδη βενζίνη Προδιαγραφές λαδιού: Να χρησιμοποιείται μόνο λάδι κινητήρα που πληρεί τις απαιτήσεις API service κατηγορίας SF ή υψηλότερης σύμφωνα με τον σχετικό πίνακα (Εικ. 12).

Να χρησιμοποιείτε πάντοτε καθαρό δοχείο για την αποθήκευση επιπλέον καυσίμου και να μη χρησιμοποιείτε καύσιμο που έχει αποθηκευτεί για περισσότερο του ενός μηνός.

Να χρησιμοποιείτε χωνί για να αποφύγετε να χυθεί το καύσιμο ή το λάδι. Μην γεμίζετε με επιπλέον της απαιτούμενης ποσότητας.

Για να γεμίσετε τον κινητήρα με καύσιμο:

1. Αφαιρέστε την τάπα του δοχείου καυσίμου.

ΠΡΟΕΙΔΟΠΟΙΗΣΗ

Ανοίξτε προσεκτικά την τάπα καυσίμου, καθώς πίεση μπορεί να έχει αναπτυχθεί στο εσωτερικό του δοχείου.

2. Προσθέστε καύσιμο έως το άνω όριο του δοχείου καυσίμου (Εικ. 13.2). Αφήστε τουλάχιστον 5mm χώρο μεταξύ της κορυφής του καυσίμου και της εσωτερικής άκρης του δοχείου καυσίμου για να επιτρέψετε τυχόν διαστολή του περιεχομένου.
3. Τοποθετήστε την τάπα πίσω στη θέση της και σφίξτε επαρκώς.

Για να γεμίσετε τον κινητήρα με λάδι:

1. Αφαιρέστε την τάπα λαδιού (Εικ. 14.1). Το κάτω μέρος της είναι ο δείκτης στάθμης λαδιού.
2. Προσθέστε αρκετό λάδι ώστε η στάθμη λαδιού να είναι μεταξύ του άνω (Εικ. 14.3) και του κάτω (Εικ. 14.4) επιπέδου στο δείκτη. Η μέτρηση πρέπει να γίνεται με το δείκτη στάθμης λαδιού τοποθετημένο, αλλά όχι βιδωμένο, στη θέση του.
3. Επανατοποθετήστε την τάπα λαδιού και σφίξτε επαρκώς.

ΠΡΟΕΙΔΟΠΟΙΗΣΗ

Σκουπίστε τυχόν καύσιμο και λάδι που έχει χυθεί πριν ξεκινήσετε τον κινητήρα

Για να γεμίσετε την αντλία με λάδι:

1. Αφαιρέστε την τάπα που χρησιμοποιήθηκε για την αποστολή του προϊόντος (Εικ. 6.1).
2. Προσθέστε αρκετό λάδι ώστε η στάθμη λαδιού να είναι μεταξύ του άνω (Εικ. 6.3) και του κάτω (Εικ. 6.4) επιπέδου στο δείκτη.
3. Τοποθετήστε τη νέα τάπα λαδιού (Εικ. 6.2) και σφίξτε επαρκώς.

ΕΚΚΙΝΩΝΤΑΣ ΤΟ ΜΗΧΑΝΗΜΑ

ΠΡΟΕΙΔΟΠΟΙΗΣΗ

Πριν από την εκκίνηση του κινητήρα, βεβαιωθείτε ότι τόσο το μηχανήμα όσο και εσείς είστε σε σταθερό έδαφος.

ΠΡΟΕΙΔΟΠΟΙΗΣΗ

Η λειτουργία χωρίς νερό για περισσότερο από 2 λεπτά μπορεί να οδηγήσει σε βλάβη της αντλίας υψηλής πίεσης. Εάν η συσκευή δεν αυξήσει πίεση εντός 2 λεπτών, απενεργοποιήστε τη συσκευή και επικοινωνήστε με τον κοντινό σας αντιπρόσωπο.

Για να ξεκινήσετε το μηχανήμα:

1. Συναρμολογήστε το πιστόλι και την κάννη (Εικ.

- 7).
2. Συναρμολογήστε τον σωλήνα υψηλής πίεσης (Εικ. 8.2) στην έξοδο νερού της αντλίας (Εικ. 8.1).
3. Συναρμολογήστε το πιστόλι με το ελεύθερο άκρο του σωλήνα υψηλής πίεσης.
4. Προσαρμόστε το σωλήνα παροχής νερού (Εικ. 9.2) στην είσοδο νερού (Εικ. 9.1) της αντλίας, χρησιμοποιώντας κατάλληλους αντάπτορες και φίλτρο.

ΠΡΕΙΔΟΠΟΙΗΣΗ

Πριν συνδέσετε τον εύκαμπο σωλήνα παροχής νερού στην είσοδο νερού, επιθεωρήστε την σίτα εισόδου νερού (Εικ. 9.3). Καθαρίστε τη σίτα εάν περιέχει υπολείμματα και αντικαταστήστε την εάν έχει υποστεί ζημιά. Επίσης, βεβαιωθείτε ότι ο εύκαμπτος σωλήνας που πρόκειται να συνδέσετε είναι καθαρός από τυχόν υπολείμματα. Χρησιμοποιείτε μόνο κρύο νερό (λιγότερο από 40 °C) με παροχή τουλάχιστον 19 L/m και πίεση τουλάχιστον 1,3 bar.

5. Ανοίξτε την παροχή νερού.
6. Μετακινήστε το μοχλό καυσίμου (Εικ. 15.1) στη θέση "ON".
7. Μετακινήστε το μοχλό τσοκ (Εικ. 16.1) στη θέση "CHOKE".

ΣΗΜΕΙΩΣΗ

Αυτό το βήμα ισχύει μόνο για κρύα εκκίνηση του κινητήρα. Όταν ο κινητήρας είναι ήδη ζεστός ή η θερμοκρασία περιβάλλοντος είναι υψηλή, ο μοχλός τσοκ πρέπει να βρίσκεται πάντα στη θέση "OFF".

8. Μετακινήστε το διακόπτη ON / OFF (Εικ. 1.14) στη θέση "ON" (Εικ. 17.1).
9. Πιάστε σταθερά τη λαβή του μηχανήματος με το αριστερό σας χέρι και τη χειρομίζα του κινητήρα (Εικ. 18.2) με το δεξί σας χέρι. Τραβήξτε τη χειρομίζα έως ότου αισθανθείτε αντίσταση για να φέρετε τον κινητήρα σε συμπίεση και μετά τραβήξτε δυναμικά για να εκκινήσετε τον κινητήρα.

ΠΡΕΙΔΟΠΟΙΗΣΗ

Για να μην σπάσετε το σχοινί της μίζας (Εικ. 18.1), μην χρησιμοποιείτε ολόκληρο το μήκος του ή το αφήνετε να γλιστρήσει κατά μήκος της άκρης της οπής οδηγού του. Απελευθερώστε σταδιακά τη χειρομίζα, για να αποφύγετε να επιστρέψετε στην θέση του ανεξέλεγκτα.

10. Καθώς ο κινητήρας θερμαίνεται, μετακινήστε σταδιακά το μοχλό τσοκ στη θέση "RUN", εάν πραγματοποιήσατε κρύα εκκίνηση.

ΣΗΜΕΙΩΣΗ

Για μέγιστη απόδοση και αξιοπιστία, αφήστε τον κινητήρα να ζεσταθεί πριν από τη λειτουργία. Λειτουργήστε τον κινητήρα για δύο έως τρία λεπτά με ταχύτητα ρελαντί.

ΛΕΙΤΟΥΡΓΩΝΤΑΣ ΤΟ ΜΗΧΑΝΗΜΑ

ΠΡΕΙΔΟΠΟΙΗΣΗ

Διατηρήστε απόσταση τουλάχιστον 30 cm μεταξύ του πίδακα νερού και τυχόν ευαίσθητων αντικειμένων ή βαμμένων επιφανειών για να αποφύγετε ζημιές.

ΠΡΕΙΔΟΠΟΙΗΣΗ:

Ρυθμίστε τον κινητήρα αυστηρά σύμφωνα με την καθορισμένη ισχύ στο εγχειρίδιο χρήστη. Μην υπερφορτώνετε, λειτουργείτε σε υψηλότερες

στροφές λειτουργίας ή λειτουργείτε με χαμηλό φορτίο σε χαμηλές στροφές.

ΑΚΡΟΦΥΣΙΑ

Το πλυστικό πίεσης συνοδεύεται από πέντε ακροφύσια ψεκασμού. Κάθε ακροφύσιο έχει χρωματική κωδικοποίηση και παρέχει ένα συγκεκριμένο σχέδιο ψεκασμού και πίεση για μια συγκεκριμένη εργασία καθαρισμού:

- Κόκκινο - 0°: Αυτό το ακροφύσιο παρέχει μια ακριβή ροή νερού υπό πίεση και είναι εξαιρετικά ισχυρό. Καλύπτει μόνο μια μικρή περιοχή καθαρισμού. Αυτό το ακροφύσιο πρέπει να κατευθύνεται μόνο σε επιφάνειες που αντέχουν σε υψηλή πίεση, όπως σκυρόδεμα ή άβαφο μέταλλο. Μην το χρησιμοποιείτε σε καθαρό ξύλο.
- Κίτρινο - 15°: Αυτό το ακροφύσιο προσφέρει ένα ισχυρό μοτίβο ψεκασμού 15° για έντονο καθαρισμό μικρών περιοχών. Αυτό το ακροφύσιο πρέπει να κατευθύνεται μόνο σε επιφάνειες που αντέχουν σε υψηλή πίεση, όπως σκυρόδεμα ή άβαφο μέταλλο.
- Πράσινο - 25°: Αυτό το ακροφύσιο παρέχει μοτίβο ψεκασμού 25° για έντονο καθαρισμό μεγαλύτερων περιοχών. Αυτό το ακροφύσιο πρέπει να κατευθύνεται μόνο σε επιφάνειες που αντέχουν σε υψηλή πίεση, όπως σκυρόδεμα ή άβαφο μέταλλο.
- Λευκό - 40°: Αυτό το ακροφύσιο προσφέρει μοτίβο ψεκασμού 40° και λιγότερο ισχυρή ροή νερού. Αυτό το ακροφύσιο μπορεί να καλύψει μια μεγάλη περιοχή και θα πρέπει να χρησιμοποιείται για τις περισσότερες εργασίες γενικού καθαρισμού.
- Μαύρο - Απορρυπαντικό: Αυτό το ακροφύσιο χρησιμοποιείται για την εφαρμογή ειδικών χημικών και καθαριστικών διαλυμάτων. Η πίεση εξόδου του μηχανήματος πρέπει επίσης να μειωθεί όταν χρησιμοποιείται αυτό το ακροφύσιο.

ΧΡΗΣΙΜΟΠΟΙΩΝΤΑΣ ΑΠΟΡΡΥΠΑΝΤΙΚΟ

ΠΡΕΙΔΟΠΟΙΗΣΗ:

Χρησιμοποιείτε μόνο απορρυπαντικά ειδικά σχεδιασμένα για πλυστικά πίεσης. Τα μη κατάλληλα απορρυπαντικά μπορούν να προκαλέσουν ζημιά στην αντλία.

Για να χρησιμοποιήσετε απορρυπαντικό με το πλυστικό πίεσης (Εικ. 11):

1. Συνδέστε τον εύκαμπο σωλήνα απορρυπαντικού στη θύρα εισόδου απορρυπαντικού της αντλίας.
2. Τοποθετήστε το άλλο άκρο του σωλήνα απορρυπαντικού στο δοχείο απορρυπαντικού.
3. Προσαρμόστε το ακροφύσιο απορρυπαντικού στην κάννη (Εικ. 10).
4. Ψεκάστε το απορρυπαντικό σε στεγνή επιφάνεια.
5. Αφήστε το απορρυπαντικό να δράσει στην επιφάνεια για τρία έως πέντε λεπτά.
6. Ξεπλύνετε το απορρυπαντικό από την επιφάνεια με καθαρό νερό.

ΠΡΕΙΔΟΠΟΙΗΣΗ

Μετά τη χρήση απορρυπαντικού, είναι σημαντικό να καθαρίζετε το πλυστικό πίεσης με καθαρό νερό.

Περάστε καθαρό νερό μέσα από το πλυστικό πίεσης για μερικά λεπτά, αφού αφαιρέσετε την παροχή απορρυπαντικού.

ΣΤΑΜΑΤΩΝΤΑΣ ΤΟ ΜΗΧΑΝΗΜΑ ΠΡΟΕΙΔΟΠΟΙΗΣΗ

Αποφύγετε να τερματίζετε τη λειτουργία του κινητήρα όταν βρίσκεται σε υψηλές στροφές λειτουργίας ή υπό έντονο φορτίο για να αποφύγετε τυχόν βλάβη του κινητήρα.

Για να σταματήσετε το μηχάνημα:

1. Μετακινήστε το διακόπτη ON / OFF (Εικ. 1.14) στη θέση "OFF" (Εικ. 17.2).
2. Μετακινήστε το μοχλό καυσίμου στη θέση "OFF".
3. Κλείστε την παροχή νερού.
4. Πιέστε τη σκανδάλη του πιστολιού μέχρι να αφαιρεθεί τυχόν παραμένον νερό από αντλία, σωλήνα και πιστόλι.

ΣΥΝΤΗΡΗΣΗ ΚΑΙ ΚΑΘΑΡΙΣΜΟΣ

ΠΡΟΣΟΧΗ

Μην κάνετε ποτέ συντήρηση ή καθαρισμό με το μηχάνημα σε λειτουργία. Να εργάζεστε πάντα σε κρύο μηχάνημα. Πριν καθαρίσετε ή εκτελέσετε εργασίες συντήρησης, αποσυνδέστε το μπουζί και διαβάστε τις σχετικές οδηγίες. Φοράτε κατάλληλα ρούχα και προστατευτικά γάντια όποτε κινδυνεύουν τα χέρια σας.

Τυχόν προσαρμογές ή εργασίες συντήρησης που δεν περιγράφονται σε αυτό το εγχειρίδιο πρέπει να εκτελούνται από τον αντιπρόσωπό σας ή ένα εξειδικευμένο κέντρο σέρβις με τις απαραίτητες γνώσεις και εξοπλισμό για να διασφαλιστεί ότι η εργασία γίνεται σωστά διατηρώντας το αρχικό επίπεδο ασφάλειας του μηχανήματος. Τυχόν εργασίες που εκτελούνται σε μη εξουσιοδοτημένα κέντρα ή από μη εξουσιοδοτημένα άτομα θα ακυρώσουν πλήρως την εγγύηση και όλες τις υποχρεώσεις και ευθύνες του κατασκευαστή.

Διατηρείτε όλα τα παξιμάδια και τις βίδες σφικτά για να βεβαιωθείτε ότι το μηχάνημα είναι πάντα σε ασφαλή κατάσταση λειτουργίας. Ητακτική συντήρηση είναι απαραίτητη για την ασφάλεια και για τη διατήρηση υψηλού επιπέδου επιδόσεων.

ΠΡΟΣΟΧΗ

Μη χρησιμοποιείτε ποτέ το μηχάνημα με φθαρμένα ή κατεστραμμένα μέρη. Τα ελαττωματικά ή φθαρμένα εξαρτήματα πρέπει πάντα να αντικαθίστανται και να μην επισκευάζονται. Χρησιμοποιείτε μόνο γνήσια ανταλλακτικά.

ΠΡΟΓΡΑΜΜΑ ΣΥΝΤΗΡΗΣΗΣ

Εργασία		Πριν από κάθε χρήση	Μετά τον 1ο μήνα ή τις πρώτες 10 ώρες χρήσης	Κάθε 3 μήνες ή 50 ώρες χρήσης	Κάθε 6 μήνες ή 100 ώρες χρήσης	Κάθε 12 μήνες ή 200 ώρες χρήσης
Μηχάνημα	Ελέγξτε	✓				
Χειριστήρια	Ελέγξτε	✓				
Λάδι κινητήρα	Ελέγξτε - Γεμίστε	✓				
	Αντικαταστήστε		✓		✓	
Λάδι αντλίας	Ελέγξτε - Γεμίστε	✓				
	Αντικαταστήστε		✓		✓	
Φίλτρο αέρα	Ελέγξτε - Καθαρίστε	✓*	✓			
	Αντικαταστήστε					✓
Φίλτρο καυσίμου	Ελέγξτε - Καθαρίστε				✓*	
Σωλήνας καυσίμου	Ελέγξτε - Καθαρίστε					✓*
Καπάκι ιζημάτων	Ελέγξτε - Καθαρίστε				✓	
Διάκενο βαλβίδων	Ελέγξτε - Καθαρίστε					✓**

* Αυτά τα αντικείμενα πρέπει να αντικαθίστανται αν απαιτείται.

** Αυτές οι εργασίες πρέπει γίνονται μόνο από εξουσιοδοτημένους αντιπροσώπους που έχουν τα κατάλληλα εργαλεία και επάρκεια γνώσεων.

ΛΑΔΙ ΚΙΝΗΤΗΡΑ ΚΑΙ ΑΝΤΛΙΑΣ ΠΡΟΕΙΔΟΠΟΙΗΣΗ

Ο έλεγχος της στάθμης και η αλλαγή λαδιού πρέπει να γίνονται σε στερεά και επίπεδη επιφάνεια. Ο κινητήρας πρέπει να είναι πάντα σταματημένος. Εάν ο κινητήρας ήταν σε λειτουργία, θα είναι ζεστός και η διαδικασία πρέπει να γίνεται με προσοχή για να αποφευχθεί ο κίνδυνος εγκαύματος.

Για να ελέγξετε τη στάθμη λαδιού του κινητήρα:

1. Αφαιρέστε την τάπα λαδιού.
2. Σκουπίστε το δείκτη στάθμης λαδιού.
3. Τοποθετήστε το δείκτη στάθμης λαδιού στο λαμό πλήρωσης λαδιού, χωρίς να το βιδώσετε.
4. Αφαιρέστε το δείκτη στάθμης λαδιού και ελέγξτε την ένδειξη στάθμης που εμφανίζεται σε αυτόν. Εάν απαιτείται, γεμίστε με λάδι έως το άνω όριο.

5. Τοποθετήστε το δείκτη στάθμης λαδιού στη θέση του και σφίξτε επαρκώς.

Για να αλλάξετε το λάδι του κινητήρα:

ΣΗΜΕΙΩΣΗ

Αποστραγγίστε το χρησιμοποιημένο λάδι ενώ ο κινητήρας είναι ζεστός. Το ζεστό λάδι αποστραγγίζεται γρήγορα και πλήρως.

1. Αφαιρέστε την τάπα λαδιού από το λαίμφο πλήρωσης λαδιού του κινητήρα.
2. Τοποθετήστε κατάλληλο δοχείο (Εικ. 19.3) κάτω από την τάπα εξαγωγής λαδιού (Εικ. 19.2) για να συλλέξετε το μεταχειρισμένο λάδι.
3. Αφαιρέστε την τάπα εξαγωγής λαδιού (Εικ. 19.4) και τη ροδέλα (Εικ. 19.5) και επιτρέψτε στο λάδι να στραγγίξει πλήρως.
4. Τοποθετήστε την τάπα εξαγωγής λαδιού και τη ροδέλα στη θέση τους και σφίξτε επαρκώς.
5. Προσθέστε σταδιακά αρκετό λάδι για να φέρετε τη στάθμη λαδιού στο χείλος του λαίμου πλήρωσης λαδιού, μέχρι το ανώτερο επίπεδο και όχι χαμηλότερα από το χαμηλότερο επίπεδο.
6. Επανατοποθετήστε την τάπα πλήρωσης λαδιού και σφίξτε κατάλληλα.

ΣΗΜΕΙΩΣΗ

Εάν ο κινητήρας λειτουργεί συχνά υπό συνθήκες αυξημένης σκόνης ή άλλες δυσμενείς συνθήκες, αλλάζετε το λάδι του κινητήρα κάθε 10 ώρες.

Για να ελέγξετε τη στάθμη λαδιού της αντλίας:

1. Αφαιρέστε την τάπα λαδιού.
2. Ελέγξτε την ένδειξη στάθμης που εμφανίζεται στο δείκτη λαδιού. Εάν απαιτείται, γεμίστε με λάδι έως το άνω όριο.
3. Τοποθετήστε την τάπα λαδιού στη θέση της και σφίξτε επαρκώς.

Για να αλλάξετε το λάδι της αντλίας:

1. Αφαιρέστε την τάπα λαδιού.
2. Τοποθετήστε κατάλληλο δοχείο κάτω από την τάπα εξαγωγής λαδιού για να συλλέξετε το μεταχειρισμένο λάδι.
3. Αφαιρέστε την τάπα εξαγωγής λαδιού και τη ροδέλα και επιτρέψτε στο λάδι να στραγγίξει πλήρως.
4. Τοποθετήστε την τάπα εξαγωγής λαδιού και τη ροδέλα στη θέση τους και σφίξτε επαρκώς.
5. Προσθέστε σταδιακά αρκετό λάδι για να φέρετε τη στάθμη λαδιού μέχρι το ανώτερο επίπεδο και όχι χαμηλότερα από το χαμηλότερο επίπεδο.
6. Επανατοποθετήστε την τάπα πλήρωσης λαδιού και σφίξτε κατάλληλα.

ΠΡΟΕΙΔΟΠΟΙΗΣΗ

Το να λειτουργείτε τον κινητήρα ή την αντλία με χαμηλή στάθμη λαδιού θα προκαλέσει ζημιά σε αυτόν.

ΣΗΜΕΙΩΣΗ

Απορρίψτε το χρησιμοποιημένο λάδι κινητήρα και τα δοχεία με τρόπο φιλικό προς το περιβάλλον. Σας προτείνουμε να το πάτε σε ένα σφραγισμένο δοχείο στο τοπικό κέντρο ανακύκλωσης ή στο πρατήριο καυσίμων. Μην το πετάτε στα σκουπίδια και μην το ρίχνετε στο έδαφος ή στην αποχέτευση.

ΦΙΛΤΡΟ ΑΕΡΑ

ΠΡΟΕΙΔΟΠΟΙΗΣΗ

Το να λειτουργείτε τον κινητήρα χωρίς φίλτρο αέρα ή με φίλτρο αέρα με βλάβη, θα επιτρέψει την είσοδο βρωμιάς στο εσωτερικό του, προκαλώντας ταχεία φθορά του κινητήρα.

Για να ελέγξετε, καθαρίστε ή αντικαταστήσετε το φίλτρο αέρος:

1. Αφαιρέστε το κάλυμμα του φίλτρου αέρα (Εικ.20.1).
2. "Βεβαιωθείτε ότι το στοιχείο φίλτρου αέρα (Εικ.20.2) είναι απαλλαγμένο από καθαρισίες και σε καλή κατάσταση. Εάν είναι βρώμικο, αφαιρέστε το και καθαρίστε το. Για να καθαρίσετε ένα στοιχείο φίλτρου αέρα αφρού πλύνετε το με απορρυπαντικό σπιτιού και ζεστό νερό και αφήστε το να στεγνώσει. Στη συνέχεια, βυθίστε το σε καθαρό λάδι κινητήρα και πιέστε απαλά ώστε να στραγγίξετε από το περίσσιο λάδι. Εάν απαιτείται, αντικαταστήστε το με ένα νέο. Για να καθαρίσετε ένα στοιχείο φίλτρου αέρα χαρτιού, καθαρίστε ελαφριά βρωμιά χτυπώντας το απαλά μερικές φορές σε σκληρή επιφάνεια και αντικαταστήστε εάν υπάρχει βαριά βρωμιά."
3. Καθαρίστε το εσωτερικό της θήκης του φίλτρου αέρα και το κάλυμμα από βρωμιά με ένα μαλακό πανί. Εάν ο κινητήρας είναι εξοπλισμένος με φίλτρο αέρα τύπου σε λάδι, αντικαταστήστε το λάδι με νέο λάδι κινητήρα.
4. Επανατοποθετήστε το στοιχείο φίλτρου αέρα και ακολουθήστε την αντίστροφη διαδικασία για να επανατοποθετήσετε το κάλυμμα του φίλτρου αέρα.

ΠΡΟΕΙΔΟΠΟΙΗΣΗ

Μην καθαρίζετε ποτέ το φίλτρο αέρα με βενζίνη ή απορρυπαντικά χαμηλού σημείου ανάφλεξης για να αποφύγετε τον κίνδυνο πυρκαγιάς ή έκρηξης.

ΣΗΜΕΙΩΣΗ

Εάν ο κινητήρας λειτουργεί συχνά υπό συνθήκες αυξημένης σκόνης ή άλλες δυσμενείς συνθήκες, καθαρίστε το στοιχείο φίλτρου αέρα κάθε 10 ώρες. Εάν είναι απαραίτητο, αλλάξτε το στοιχείο φίλτρου αέρα κάθε 25 ώρες.

ΜΠΟΥΖΙ

Για να συντηρήσετε το μπουζί (Εικ. 21):

1. Αφαιρέστε το καλώδιο μπουζί για να έχετε πρόσβαση στο μπουζί.
2. Χρησιμοποιήστε ένα κατάλληλο εργαλείο μπουζί για να αφαιρέσετε προσεκτικά το μπουζί.
3. Επιθεωρήστε την κατάσταση του μπουζί και του ηλεκτροδίου του. Πρέπει να είναι καθαρό και να μην είναι φθαρμένο. Ελέγξτε ότι το διάκενο μπουζί κυμαίνεται μεταξύ 0,7 και 0,8 mm. Αν χρειάζεται, αντικαταστήστε το μπουζί με ένα νέο.
4. Βιδώστε προσεκτικά το μπουζί στον κινητήρα με το κέρι.
5. Αφού βιδώσετε μερικές σπείρες, χρησιμοποιήστε το κατάλληλο εργαλείο μπουζί για να σφίξετε σταθερά το μπουζί, προσέχοντας να μην χρησιμοποιήσετε υπερβολική δύναμη ώστε να

βλάψετε το σπείρωμα.

6. Επανασυνδέστε το καλώδιο του μπουζί.

ΠΡΟΣΟΧΗ

Μην αφήνετε ποτέ βρωμιά ή υπολείμματα να εισέλθουν στον κύλινδρο. Πριν αφαιρέσετε το μπουζί, καθαρίστε προσεκτικά τόσο το μπουζί όσο και την περιοχή της κύλινδρο-κεφαλής.

ΚΑΠΑΚΙ ΙΖΗΜΑΤΩΝ ΚΑΥΣΙΜΟΥ

ΠΡΟΣΟΧΗ

Συντηρείτε το καρμπυρατέρ μόνο σε εξωτερικούς και καλά αεριζόμενους χώρους.

Για να συντηρήσετε το καπάκι ιζημάτων καυσίμου (Εικ. 22):

1. Γυρίστε το μοχλό καυσίμου στη θέση "OFF".
2. Αφαιρέστε το καπάκι ιζημάτων καυσίμου του καρμπυρατέρ μαζί με το λαστικάκι στεγανοποίησής του.
3. Πλύνετε τα μέρη που αφαιρέσατε σε διάλυμα, στεγνώστε διεξοδικά.

ΠΡΟΣΟΧΗ

Μην καθαρίζετε ποτέ το καπάκι ιζημάτων καυσίμου με βενζίνη ή απορρυπαντικά χαμηλού σημείου ανάφλεξης για να αποφύγετε τον κίνδυνο πυρκαγιάς ή έκρηξης.

4. Αντικαταστήστε το λαστικάκι στεγανοποίησης με καινούργιο αν απαιτείται.
5. Επανατοποθετήστε το λαστικάκι στεγανοποίησης και το καπάκι ιζημάτων καυσίμου και ασφαλίστε τα στη θέση τους.
6. Γυρίστε το μοχλό καυσίμου στη θέση "ON" και ελέγξτε για τυχόν διαρροές καυσίμου.

ΦΙΛΤΡΟ ΒΕΝΖΙΝΗΣ

Το δοχείο καυσίμου ενδέχεται να είναι εφοδιασμένο με ένα φίλτρο, ανάλογα με το μοντέλο του σκαπτικού, που βρίσκεται στην τάπα του δοχείου καυσίμου. Το φίλτρο καυσίμου μπορεί να διαχωριστεί και πρέπει να ελέγχεται περιοδικά. Εάν το φίλτρο είναι βρώμικο, καθαρίστε το και αντικαταστήστε το με ένα νέο όταν απαιτείται. Σε περίπτωση που το εσωτερικό του δοχείου καυσίμου είναι βρώμικο, μπορεί να καθαριστεί ξεπλένοντάς το με καθαρή βενζίνη.

ΚΑΘΑΡΙΣΜΟΣ

Χρησιμοποιήστε μια μικρή μαλακή βούρτσα για να καθαρίσετε το εξωτερικό του μηχανήματος. Μην χρησιμοποιείτε ισχυρά απορρυπαντικά. Τα οικιακά καθαριστικά που περιέχουν αρωματικά έλαια όπως πεύκο και λεμόνι και διαλύτες όπως κηροζίνη μπορούν να προκαλέσουν ζημιά στο πλαστικό περίβλημα ή στη λαβή. Σκουπίστε τυχόν υγρασίες με ένα μαλακό πανί.

ΑΠΟΘΗΚΕΥΣΗ

ΠΡΟΣΟΧΗ

Μην αποθηκεύετε ποτέ το μηχανήμα με καύσιμο στη δεξαμενή και αφήνετε πάντα να κρυώσει πριν την αποθήκευση. Αποθηκεύστε το μηχανήμα μόνο σε ξηρούς και καλά αεριζόμενους χώρους.

ΠΡΟΣΟΧΗ

Οι συσκευές και τα αξεσουάρ που δεν έχουν αποστραγγιστεί τελείως μπορεί να καταστραφούν από παγετό ή μούχλα. Για να αποφύγετε ζημιές:

1. Απενεργοποιήστε τη συσκευή.
2. Κλείστε την παροχή νερού.

3. Αποσυνδέστε την κάννη ψεκασμού από το πιστόλι σκανδάλη.
4. Πιέστε τη σκανδάλη του πιστολιού μέχρι να μην βγαίνει άλλο νερό.
5. Αποσυνδέστε τη συσκευή από την παροχή νερού.

Σε περίπτωση που η μονάδα θα αποθηκευτεί για μεγάλο χρονικό διάστημα, χρησιμοποιήστε την ακόλουθη διαδικασία αποθήκευσης:

1. Αποστραγγίστε όλο το καύσιμο από το ρεζερβουάρ καυσίμου και το καρμπυρατέρ
2. Αντικαταστήστε το λάδι του κινητήρα με καινούριο.
3. Αφαιρέστε το μπουζί και βάλτε 30 ml λαδιού κινητήρα υψηλής ποιότητας ή λαδιού μίξης στον κύλινδρο. Τραβήξτε αργά το σκονί της μίζας για να διανεμίτε το λάδι. Εγκαταστήστε εκ νέου το μπουζί.
4. Καθαρίστε σχολαστικά τη μονάδα και ελέγξτε για τυχόν χαλαρά ή κατεστραμμένα μέρη. Επισκευάστε ή αντικαταστήστε τα κατεστραμμένα μέρη και σφίξτε τις χαλαρές βίδες, παξιμάδια ή μπουλόνια.
5. Λιπάνετε όλα τα μέρη όπου απαιτείται με ένα ωπώο σε λάδι πανί για να αποφύγετε τη συσσώρευση σκουριάς.

ΠΡΟΣΤΑΣΙΑ ΤΟΥ ΠΕΡΙΒΑΛΛΟΝΤΟΣ

Ανακυκλώστε τις πρώτες ύλες αντί να τις απορρίψετε. Το μηχανήμα, τα αξεσουάρ και οι συσκευασίες πρέπει να ταξινομούνται για φιλική προς το περιβάλλον ανακύκλωση. Τα πλαστικά εξαρτήματα επισιμούνται για κατηγοριοποιημένη ανακύκλωση. Απορρίψτε το χρησιμοποιημένο λάδι κινητήρα και τα δοχεία με τρόπο φιλικό προς το περιβάλλον. Σας προτείνουμε να το πάτε σε ένα σφραγισμένο δοχείο στο τοπικό κέντρο ανακύκλωσης ή στο πρατήριο καυσίμων. Μην το πετάτε στα σκουπίδια και μην το ρίχνετε στο έδαφος ή στην αποχέτευση.

ΕΓΓΥΗΣΗ

Αυτό το προϊόν είναι εγγυημένο σύμφωνα με τους νόμους / ειδικούς κανονισμούς ανά χώρα, από την ημερομηνία αγοράς του από τον χρήστη. Ζημιές που οφείλονται σε φυσιολογική φθορά, υπερφόρτωση ή ακατάλληλο χειρισμό θα εξαιρεθούν από την εγγύηση. Σε περίπτωση αξίωσης, στείλτε το μηχανήμα, πλήρως συναρμολογημένο, στον αντιπρόσωπό σας ή στο επίσημο κέντρο σέρβις.

SRPSKI

OPŠTA BEZBEDNOSNA UPOZORENJA

Pročitajte i razumete uputstvo ovog vlasnika pre rada ovog proizvoda. Možete da sprečite nezgode tako što ćete biti upoznati sa kontrolama proizvoda i pridržavanjem bezbednih operativnih procedura i bezbednosnih znakova. Uvek koristite zdrav razum da izbegnete sve situacije koje se smatraju izvan vaše mogućnosti. Nemojte koristiti dok ste umorni ili pod uticajem droga, alkohola ili bilo kojih drugih lekova. Zadržite prolaznike i životinje koje bi mogle biti povređene, kao i predmete koji bi mogli biti oštećeni, dok rade. Nikada ne dozvolite deci ili osobama koje nisu upoznate sa ovim uputstvima da koriste proizvod. Lokalni zakoni mogu da ograniče minimalnu starosnu granicu operatera. Imajte na umu da je operater ili korisnik odgovoran za nesreće ili neočekivane događaje koji se dešavaju drugim ljudima, životinjama ili njihovoj imovini. Ne izlažite proizvod prekomernoj vlazi, prašini, prljavštini ili korozivnim isparenjama. Nemojte montirati opremu ili pribor na mašinu koja nije predviđena ili odobrena od strane proizvođača. Nikada ne pokušavajte da izmenite proizvod. Neovlašćene izmene ili pribor mogu rezultirati ozbiljnim ličnim povredama ili smrću operatera ili drugih osoba. Posavetujte se sa ovlašćenim dilerom za rastav i uslugu, koja nije obuhvaćena ovim uputstvom. Ako se nešto pokvari ili dođe do nezgode tokom rada, odmah isključite mašinu i udaljite je kako biste sprečili dalje oštećenje. U slučaju da je strano telo ušlo u mašinu, odmah ga zaustavite, pregledajte da li ima oštećenja i izvršite popravke pre nego što ga ponovo započnete.

ZAŠITNA OPREMA

Uverite se da prilikom rada jedinice koristite odgovarajuću i sertifikovanu zaštitnu opremu. Uvek nosite odeću koja ne sputava pokrete, zaštitne rukavice, zaštitne naočare, respirator sa polu maskiranim ušima, zaštitu ušiju i anti-shear sigurnosne čizme sa neklizajućim donom. Nikada ne nosite šalove, ogrlice ili bilo kakav viseći ili lepršavi pribor i odeću koja bi mogla da se uhvati u mašini. Veći kosu ako je dugavika.

OPASNOSTI OD OTROVA

Radi samo na otvorenom i u dobro provetrenim delovima. Kada radi, motor iscrpljuje otrovni ugljen-monoksid, bez mirisa i bezbojni gas. Udisanje ugljen-monoksida izazvaće mučninu, nesvesticu ili smrt. Nemojte upravljati mašinom u zatvorenom prostoru gde mogu da se razviju opasna isparenja ugljen-monoksida, ili blizu otvorenih prozora. Gorivo i ulje su izuzetno otrovni. Nemojte udisanje goriva isparavati gasove i uvek nosite odgovarajuću zaštitnu opremu prilikom rukovanja njima. Uvek skladištite gorivo i ulje u odobrenim posudama i odgovorno raspoložete.

OPASNOSTI OD POŽARA I OPEKOTINA

Neki delovi mašine se zagreju dovoljno da zapale zapaljive materijale. Ne koristite u oblastima sa visokim rizikom od požara. Ne usmeravajte prigušivač a samim tim i izduvna isparenja prema zapaljivim materijalima.

Neki delovi mašine se zagreju dovoljno da izazovu oštećenje opekotina. Obratite pažnju da ih ne dodirujete kako biste izbegli da se opečete. Ostavite mašinu da se ohladi pre nego što je uskladištite.

Benzin i nafta su zapaljivi. Sledite uputstva koja je obezbedio svaki proizvođač pre upotrebe. Potencijalne izvore vatre ili iskre treba držati podalje sve vreme. Ne pušite blizu mašine ili bilo kakvog goriva i ulja. Gorivo samo na otvorenom, u dobro provetrenoj oblasti, sa isključenim motorom. Polako otvorite rezervoar za gorivo kako biste omogućili da se pritisak unutra smanjuje postepeno. Ne preteruj sa rezervoarom. Uverite se da postoji određeno rastojanje između bilo kog rezervnog rezervoara benzina i jedinice, kako bi se sprečila nepotrebna opasnost. Pobrinite se da bilo koje i svo prosuto gorivo i ulje budu izbrisani pre nego što upalite motor. Ako dođe do požara, koristite odgovarajući protivpožarni aparat posebno dizajniran za požar nafte i benzina.

KATEGORIJA BEZBEDNOSNA UPOZORENJA

BEZBEDAN RAD

Sve operativne poluge mašine moraju lako da se kreću sa jedne pozicije na drugu i ne sme im biti potrebno forsiranje. Električni kablovi i posebno kabl za svećice moraju biti u savršenom stanju da bi se izbegla generacija bilo kakvih varnica i svećica mora biti pravilno uklopljena na svećice. Ručne i zaštitne uređaje moraju biti čiste i suve kao i bezbedno pričvršćivanje za mašinu. Uvek proverite da li postoje objekti koji mogu da blokiraju ekran za unos vazduha pre nego što počinju sa radom. Zapušeni unos vazduha smanjuje performanse mašine i povećava radnu temperaturu motora, što može rezultirati kvarom motora.

Uverite se da ste zaustavili motor:

- ▶ Prilikom montaže ili uklanjanja dodatne opreme.
- ▶ Kada se krećete između radnih oblasti ili iznad popločanih oblasti i prizemnih prepreka.
- ▶ Kad god ostavite mašinu bez nadzora.
- ▶ Tokom dopune goriva.
- ▶ Tokom čišćenja ili održavanja.
- ▶ Tokom transporta.
- ▶ Pre skladištenja.

UPOZORENJE

Prema važećim propisima, aparat nikada ne sme da se koristi na mreži za pijaču vodu bez znaka za razdvajanje sistema. Uverite se da je veza instalacije vaše građevinske vode na kojoj radi čistač visokog pritiska opremljena sistemskim separatorom. Voda koja je proletela kroz backflow preventive smatra se nepogrešivom.

OPASNOSTI OD BUKE I VIBRACIJA

Nivoi buke i vibracija prikazani u ovim uputstvima su maksimalni nivoi za korišćenje mašine. Nedovoljno održavanje ima značajan uticaj na vibracije i emisiju buke. Shodno tome, neophodno je preduzeti preventivne korake kako bi se eliminisala moguća oštećenja usled visokog nivoa buke i stresa od vibracija. Dobro održavajte mašinu, nosite uređaje za zaštitu ušiju, rukavice protiv vibracija i napravite pauze dok radite. Upravljanje mašinom stabilnom brzinom i čvrsto prljanjanje ručki uz odgovarajuću silu može da smanji nivo vibracije. Tokom radnog dana pravićete česte i adekvatne pauze

kako biste sprečili oštećenje vibracija i oštećenja ušiju. Produžena izloženost vibracijama može da izazove povrede i neurovaskularne poremećaje, posebno kod osoba koje pate od poremećaja cirkulacije. Simptomi mogu da se odnose na ruke, zglobove i prste i pokazuju se kroz gubitak osetljivosti, torpora, svraba, bola i nesklada ili strukturnih promena na koži. Ovi efekti se mogu pogoršati niskim ambijentalnim temperaturama ili prekomernim zahvatanjem ručnih ruku. Ako dođe do takvih simptoma, dužina trajanja upotrebe aparata mora biti smanjena i lekar mora biti konsultovan.

OPASNOSTI U RADNOJ OBLASTI

Temeljno pregledajte ceo radni prostor i koristite četkiću za grabulje ili dvorište kako biste ručno olabavili ostatke i uklonili sve što bi mašina mogla da projektuje, da bude opasan izvor ili da izazove oštećenje mašine ako se pregazi (kamenje, grane, gvozdene žica, kosti itd.). Proverite da li postoje prolaznici, životinje ili predmeti koji bi mogli biti oštećeni u roku od najmanje 15 metara od dometa mašine.

Radite samo po dnevnom svetlu, ili uz odgovarajuću veštačku svetlost, u dobrim uslovima vidljivosti. Pokušajte da ne izazivate nikakve smetnje u buci, samo koristeći ovu mašinu u razumno doba dana.

Zauzmu čvrstu i dobro izbalansiranu poziciju. Gde je to moguće, izbegavajte rad na vlažnom, klizavom terenu ili u svakom slučaju na neravnomernom ili strmom terenu koji operateru ne garantuje stabilnost.

Mlaznjaci visokog pritiska mogu biti opasni. U cilju smanjenja rizika od oštećenja ili povreda ne usmeravajte sprej za vodu direktno na ljude, kućne ljubimce, osetljiva svojina, živu električnu opremu ili samu mašinu. Vodeni mlaznjak koji se emituje iz reznica visokog pritiska rezultira odbojnom snagom koja deluje na pištolj za prskanje ruku. Pobrinite se da imate čvrsto uporište i takođe držite pištolj za prskanje ruku i čvrsto poprskajte koplje obema rukama.

PREOSTALE OPASNOSTI

Mašina je napravljena pomoću savremene tehnologije i u skladu sa priznatim bezbednosnim pravilima. Čak i kada su preduzete sve bezbednosne mere, neke preostale opasnosti, koje još uvek nisu evidentne, mogu biti prisutne. Operater treba da koristi zdrav razum i preduzme neophodne mere predostrožnosti kako bi izbegao rizik zbog preostalih opasnosti.

SPECIFIKACIJE PROIZVODA

NAMENJENA UPOTREBA

Ovaj proizvod je projektovan i proizveden tako da se koristi za čišćenje vozila, zgrada, terasa, fasada i još mnogo toga koristeći čistu hladnu vodu i biorazgradive hemijske deterdžente.

Svaka druga upotreba koja se razlikuje od gore navedenih može biti opasna, naneti štetu ljudima i/ili oštetiti stvari i mašinu.

UPOZORENJE

Aparat je dizajniran za upotrebu sa sredstvom za čišćenje koje je isporučio ili preporučio proizvođač. Upotreba drugih agenasa za čišćenje ili hemikalija može nepovoljno uticati na bezbednost aparata.

UPOZORENJE

Pražnjenje zaostaci i pritisak pumpe pre isključivanja

creva iz proizvoda. Isključite pranje pritiska, a zatim zatvorite česmu za vodu i na kraju pritisnite okidač pištolja dok se voda iz pumpe ne oslobodi.

NEPRAVILNA UPOTREBA

Mašina ne sme da se koristi za rukovanje opasnim materijama, npr. akumulaciju upalnih ili eksplozivnih proizvoda, čvrst materijal ili bilo koji drugi predmet koji bi mogao da bude opasan po samu mašinu kao i operatera, prolaznike, životinje ili imovinu.

Primeri nepravilne upotrebe mogu da uključuju, ali nisu ograničeni na rad mašine:

- ▶ Bez dodatne opreme koju je proizvođač posebno obezbedio za određenu upotrebu ili korišćenja dodatne opreme na način koji nije namenjen ovim uputstvima;
- ▶ Pod operativnim uglom drugačijim od nivoa do zemlje.
- ▶ Sa neovlašćenim izmenama.
- ▶ Od strane više od jedne osobe.

TEHNIČKI PODACI STRANICA 77

IDENTIFIKACIJA (SL. 1-3)

1. Pištolj i koplje
2. Crevo
3. Pumpa
4. Toiak
5. Motor
6. Reznica
7. Regulator
8. Pumpna luka za punjenje ulja
9. Merač nivoa ulja pumpe
10. Pumpna luka za isušenje ulja
11. Luka za dovod vode
12. Luka za utičnicu za vodu
13. Deterjent inlet port
14. Kvaka za podešavanje pritiska
15. Kapa rezervoara za gorivo
16. Rezervoar za gorivo
17. Recoil starter
18. Filter vazduha
19. Svećica
20. Prigušivač
21. Ručica gušenja
22. Thottle ručica
23. Ručica za ventil za gorivo
24. PREKIDAČ ZA ON/OFF
25. Port za punjenje motornog ulja
26. Merač nivoa motornog ulja
27. Port za isušivanje ulja motora

OPERACIJA

PREOPERACIJA

Raspakivanje i dovršavanje montaže treba uraditi na ravnoj i stabilnoj površini, sa dovoljno prostora za pomeranje mašine i njene ambalaže, uvek koristeći odgovarajuću opremu (Sl. 5).

Pre početka rada molimo vas da:

1. Proverite da li su svi šrafovi čvrsto pričvršćeni.
2. Proverite da li je filter vazduha čist.
3. Napunite motor uljem i gorivom kao što je dole

naznačeno.

4. Napunite pumpu uljem kao što je dole naznačeno.

GORIVO I PODMAZIVANJE

UPOZORENJE

Nikada ne pušite dok dopunjavate gorivo i držite gorivo podalje od svih izvora vatre ili varnica. Izbegavajte udisanje benzinskih isparenja i uvek dopunite gorivo spolja i dobro provetrenim područjima.

UPOZORENJE

Motor se isporučuje bez ulja i goriva.

This je motor od 4 poteza što znači da benzin treba da se koristi u rezervoaru za gorivo i da se kvarto motora napuni uljem motora sa 4 poteza.

Specifikacije goriva: Bezosećeni benzin
Specifikacije ulja: Koristite samo ulje koje zadovoljava zahteve API servisne klase SF ili više i prema relativnoj tabeli (Sl. 12).

Uvek koristite čistu posudu za skladištenje goriva i nemojte koristiti gorivo uskladišteno duže od mesec dana.

Koristite levak kako biste izbegli prosipanje goriva ili ulja. Ne pre naglašavanje.

Da biste napunili motor gorivom:

1. Skini poklopac rezervoara.

UPOZORENJE

Pažljivo otvorite vrh rezervoara jer je pritisak mogao da se formira unutra.

2. Dodajte gorivo u gornji nivo goriva (Sl. 13.2). Ostavite minimum 5 mm prostora između vrha goriva i unutrašnje ivice rezervoara da biste omogućili proširenje.
3. Pomerite poklopac rezervoara za gorivo i zategnite na odgovarajući način.

Da biste napunili motor uljem:

1. Uklonite kapu za filer ulja (Sl. 14.1). Donji deo je indikator nivoa ulja (ulje dipstik).
2. Dodajte dovoljno ulja da nivo ulja između gornjeg (Sl. 14.3) i donjeg (Sl. 14.4) ograničite na uljano rupicu. Merenje treba napraviti sa pozicionim dipstikom, ali ne i zeznutim, u vratu filera.
3. Repozicionite naftnu kapu i zategnite na odgovarajući način.

UPOZORENJE

Obrišite svako prosuto gorivo i ulje pre nego što upalite motor.

Da napunite pumpicu uljem:

1. Uklonite utikač za isporuku (Sl. 6.1).
2. Dodajte dovoljno ulja da nivo ulja između gornjeg (Sl. 6.3) i donjeg (Sl. 6.4) ograničite na merač nivoa ulja.
3. Pozicionirajte novi utikač za ulje (Sl. 6.2) i prioštite se prisebno.

POKRETANJE JEDINICE

UPOZORENJE

Pre nego što upalite motor, uverite se da ste i mašina i vi na stabilnom terenu.

UPOZORENJE

Suvo trčanje duže od 2 minuta može dovesti do oštećenja pumpe pod visokim pritiskom. Ako aparat ne nagomila pritisak u roku od 2 minuta, isključite aparat i obratite se obližnjem dileru.

Da biste pokrenuli motor:

1. Sastavite pištolj i koplje zajedno (Sl. 7).

2. Sklopite crevo visokog pritiska (Sl. 8.2) na priključak za utičnicu vode (Sl. 8.1).

3. Sastavi pištolj i koplje do slobodnog kraja creva.

4. Montirajte crevo za vodosnabdevanje (Sl. 9.2) na priključak za dovod vode (Sl. 9.1) pumpe, koristeći odgovarajuće konektore i filter.

UPOZORENJE

Pre nego što povežete crevo za vodosnabdevanje sa dovodom vode, pregledate ekran dovoda vode (Sl. 9.3). Očistite ekran ako sadrži ostatke i zamenite ga ako je oštećen. Takođe, uverite se da je crevo koje ćete povezati čisto od svih ostataka. Koristite samo hladnu vodu (manje od 40 °C) protoka najmanje 19 L/m i ne manje od 1,3 šipke pritiska.

5. Otvori vodovod.

6. Pomerite ručicu ventila za gorivo (Sl. 15.1) na poziciju "ON".

7. Pomerite ručicu za gušenje (Sl. 16.1) na poziciju "CHOKE".

NOTA

Ovaj korak se odnosi samo na hladno pokretanje motora. Kada je motor već topao ili je temperatura okoline visoka, ručica gušenja bi trebalo da bude na "RUN" poziciji u svakom trenutku.

8. Pomerite prekidač ON / OFF na poziciju "ON" (Sl. 17.1).

9. Pričvrstite čvrsto dršku mašine levom rukom i početni stisak (Sl. 18.2) motora desnom rukom. Povucite početni stisak dok ne osetite otpor da uključite motor, a zatim čvrsto povucite da upalite motor.

UPOZORENJE

Da ne biste prolomili starter kanap (Sl. 18.1), nemojte ga povlačiti celom dužinom ili pustiti da klizi duž ivice rupe vodiča za kablovsku televiziju. Oslobodite startera postepeno, kako biste izbegli da nekontrolisano odleti nazad.

10. Kako se motor zagreva, postepeno pomerate ručicu za gušenje na poziciju "RUN", ako je motor bio hladan.

NOTA

Za maksimalne performanse i pouzdanost, dozvolite motoru da se zagreje pre rada pri punom opterećenju, radeći ga dva do tri minuta u nusu.

UPRAVLJANJE JEDINICOM

UPOZORENJE

Držite rastojanje od najmanje 30 cm između vodenog mlaznjaka i svih osetljivih predmeta ili ofarbanih površina kako biste izbegli oštećenja.

UPOZORENJE

Strogo podesite motor prema regulisanoj snazi na uputstvu vlasnika. Nemojte preopteretiti, pregaziti ili pokrenuti motor sa malim opterećenjem i pri male brzini.

NOZDRNE

Pranje pritiska dolazi sa pet prskalica. Svaka reznica je kodirana u boji i isporučuje određenu šaru spreja i pritisak za određeni posao čišćenja:

- Crvena - 0°: Ova reznica isporučuje tačkasti mlaz vode pod pritiskom i izuzetno je moćna. Pokriva samo malu oblast čišćenja. Ova reznica treba da bude usmerena samo na površine koje mogu da izdrže visok pritisak kao što su beton ili neoštećen

metal. Ne koristi u istom drvetu.

- ▶ Žuta - 15°: Ova reznica isporučuje snažan obrazac spreja od 15° za intenzivno čišćenje malih površina. Ova reznica treba da bude usmerena samo na površine koje mogu da izdrže visok pritisak kao što su beton ili neoštećen metal.
- ▶ Zelena - 25°: Ova reznica isporučuje šaru spreja od 25° za intenzivno čišćenje većih površina. Ova reznica treba da bude usmerena samo na površine koje mogu da izdrže visok pritisak kao što su beton ili neoštećen metal.
- ▶ Bela - 40°: Ova reznica isporučuje šaru spreja od 40° i manje snažan mlaz vode. Ova reznica može da pokrije široku oblast i trebalo bi da se koristi za većinu opštih poslova čišćenja.
- ▶ Crna - Detergetnt: Ova reznica se koristi za primenu posebnih hemijskih i sredstva za čišćenje. Izlazni pritisak mašine takođe treba smanjiti kada se koristi ova reznica.

UPOTREBA HEMIKALIJA UPOZORENJE

Koristite samo deterđente specijalno dizajnirane za perače pritiska. Neprikladan deterđenti mogu da oštete pumpu.

Za upotrebu deterđenta sa vešom za pritisak (Sl. 11):

1. Pričvrstite crevo deterđenta na dovodni port pumpe.
2. Stavite drugi kraj creva deterđenta u posudu za deterđent.
3. Pričvrstite reznicu deterđenta na koplje (Sl. 10).
4. Poprskajte deterđent na suhu površinu.
5. Dozvolite deterđentu da deluje na površinu tri do pet minuta.
6. Rince deterđent sa površine sa čistom vodom.

UPOZORENJE

Nakon upotrebe deterđenta važno je da veš za pritisak očistite čistom vodom. Protrčite čistom vodom kroz veš za pritisak nekoliko minuta, nakon uklanjanja zaliha deterđenta.

ZAUSTAVLJANJE JEDINICE UPOZORENJE

Izbegavajte da iznenada zaustavite motor velikom brzinom ili pod velikim opterećenjem kako biste izbegli kvar motora.

Da biste zaustavili mašinu:

1. Pomerite prekidač ON / OFF na poziciju "OFF" (Sl. 17.2).
2. Pomerite ručicu ventila za gorivo na poziciju "OFF".
3. Isključite vodovod.
4. Pritisnite ručicu pištolja dok se preostala voda u pumpi, crevima i pištolju ne oslobodi.

ODRŽAVANJE I ČIŠĆENJE

UPOZORENJE

Nikada ne radite održavanje ili čišćenje sa pokretnom jedinicom. Uvek radi na kul jedinici. Pre čišćenja ili obavljanja radova na održavanju, isključite zatvarač svećice i pročitate relevantna uputstva. Uvek nosite odgovarajuću odeću i zaštitne rukavice kad god su vam ruke u opasnosti.

Sva podešavanja ili operacije održavanja koje nisu opisane u ovom uputstvu moraju da izvrše Vaš Diler ili ovlašćeni Servisni centar sa potrebnim znanjem i opremom kako bi se osiguralo ispravno održavanje prvobitnog nivoa bezbednosti mašine. Sve operacije koje se obavljaju u neovlašćenim centrima ili od strane nekvalifikovanih lica potpuno će poništiti garanciju i sve obaveze i odgovornosti Proizvođača.

Držite sve orahe i šrafove čvrsto da biste bili sigurni da je mašina uvek u bezbednom radnom stanju. Rutinsko održavanje je od suštinskog značaja za bezbednost i održavanje visokog nivoa performansi.

UPOZORENJE

Nikada ne koristite mašinu sa istrošenim ili oštećenim delovima. Neispravni ili istrošeni delovi uvek moraju biti zamenjeni, a ne popravljeni. Koristite samo originalne rezervne delove.

RASPORED ODRŽAVANJA

učestalost		Pre svake upotrebe	Nakon 1. meseca ili 10hr operacije	Svaka 3 meseca ili 50hr operacije	Svaki 6 meseci ili 100hr operacije	Svaki 12 meseci ili 200hr operacije
Komplet- na jedinica	Proverite	✓				
	Regulatori kontrolne	Proverite	✓			
Ulje motora	Provera - Dopuna	✓				
	Zameni		✓		✓	
Ulje za pumpu	Provera - Dopuna	✓				
	Zameni		✓		✓	
Filter vazduha	Provera -Čista	✓*	✓			
	Zameni					✓
Filter za gorivo	Provera -Čista				✓*	
Cev za gorivo	Provera - Čista					✓*
Depozitna šolja	Provera - Čista				✓	
Čišćenje ventila	Provera - Prilagođavanje					✓**

*Ove stavke treba zameniti ako je potrebno.

**Ove predmete treba održavati i popravljati samo ovlašćeni diler, koji imaju odgovarajuće alate i potrebnu mehaničku stručnost.

MOTOR I ULJE ZA PUMPU UPOZORENJE

Proveru nivoa i promenu ulja treba obaviti na čvrstom i nivou tla. Motor mora biti zaustavljen sve vreme. Da je motor radio, biće vruće i procedura bi trebalo da se

obavi sa negom kako bi se izbegla opasnost od opekotina.

Da biste proverili nivo ulja motora:

1. Uklonite kapu za filer ulja.
2. Obriši ulje.
3. Ubaci te uljanu rupicu u vrat od ulja, bez jebanja.
4. Uklonite uljanu rupicu i proverite nivo ulja koji je prikazan na njemu. Ako je potrebno, napunite uljem do gornjeg nivoa.
5. Stavite uljanu rupicu na poziciju i zategnite na odgovarajući način.

Da biste promenili ulje motora:

NOTA

Iscedite polovno ulje dok je motor topao. Toplo ulje se cedi brzo i u potpunosti.

1. Uklonite kapu za filer ulja sa vrata filera motornog ulja.
2. Postavite odgovarajuću posudu (Sl. 19.3) ispod rupe za odvod ulja (Sl. 19.2) da biste uhvatili iskorišćeno ulje.
3. Uklonite utikač za odvod ulja (Sl. 19.4) i veću (Sl. 19.5) kako biste omogućili da se ulje potpuno ocedi.
4. Repozicioniši utikač za odvod ulja sa svojom posudom za pranje i zategni na odgovarajući način.
5. Postepeno dodajte dovoljno ulja da nivo ulja dovede do usne vrata uljanog filera, do gornjeg nivoa i ne nižeg od donjeg nivoa.
6. Repozicioniti kapu za filer ulja i prikladno zategnuti.

NOTA

Ako motor često radi pod prašnjavim ili drugim teškim okolnostima, menjaj ulje motora na svakih 10 sati.

Da biste proverili nivo ulja pumpe:

1. Uklonite kapu za filer ulja.
2. Proverite nivo ulja na meraču ulja. Ako je potrebno, napunite uljem do gornjeg nivoa.
3. Stavite kapu za filer ulja na položaj i prikladno zategnite.

Da biste promenili ulje pumpe:

1. Uklonite kapu za filer ulja.
2. Postavite odgovarajuću posudu ispod rupe za odvod ulja da biste uhvatili iskorišćeno ulje.
3. Uklonite utikač za odvod ulja i pranje kako biste omogućili da se ulje potpuno ocedi.
4. Repozicioniši utikač za odvod ulja sa svojom posudom za pranje i zategni na odgovarajući način.
5. Postepeno dodajte dovoljno ulja da nivo ulja dovedete do gornjeg nivoa i ne nižeg od donjeg nivoa.
6. Repozicioniti kapu za filer ulja i prikladno zategnuti.

UPOZORENJE:

Pokretanje motora ili pumpe će dovesti do oštećenja motora.

NOTA

Odložite polovno motorno ulje i kontejnere na način koji je kompatibilan sa okolinom. Predlažemo da ga odnesete u zapečaćenoj posudi u vaš lokalni reciklažni centar ili servisnu stanicu radi reklamacije. Nemojte ga bacati u smeće, sipati na zemlju ili sipati u odvod.

FILTER VAZDUHA

UPOZORENJE

Upravljanje motorom bez prečistača vazduha, ili sa oštećenim prečistačem vazduha, omogućiće prljavštini da uđe u motor, što će izazvati brzo habanje motora. Da biste proverili, očistili ili promenili filter vazduha:

1. Uklonite poklopac filtera vazduha (Sl. 20.1).
2. Uverite se da je element filtera vazduha (Slivnik 20.2) oslobođen prljavštine i u dobrom stanju. Ako je prljav, uklonite ga i očistite. Da biste očistili element filtera za penast vazduh operite ga kućnim deterdžentom i toplom vodom i ostavite da se osuši. Zatim ga natopite čistim zasićenim uljem motora i nežno iscedite višak ulja. Ako je potrebno, zamenite ga novim. Da biste očistili element filtera za papirni vazduh, očistite laganu prljavštinu tako što ćete je nežno zalepiti nekoliko puta na tvrdnu površinu i zameniti ako je prisutna teška prljavština.
3. Očistite unutrašnjost omotača filtera za vazduh i pokrijte od prljavštine mekom krpom. Ako je motor opremljen filterom vazduha tipa uljane kupke, zamenite ulje novim uljem motora.
4. Ponovo instalirajte element filtera vazduha i sledite obrtnu proceduru kako biste vratili u poziciju poklopac filtera vazduha.

UPOZORENJE

Nikada ne čistite filter vazduha zapaljivim ili niskim deterdžentima sa fleš tačkom kako biste izbegli rizik od požara ili eksplozije.

NOTA

Ako motor često radi pod prašnjavim ili drugim teškim okolnostima, očistite element filtera vazduha na svakih 10 sati. Ako je potrebno, menjajte element filtera vazduha na svakih 25 sati.

SVEĆICA

Da biste održali svećice (Sl. 21):

1. Uklonite svećica da biste pristupili sveći.
2. Koristite odgovarajuću alatku za svećice da biste pažljivo uklonili svećice.
3. Proverite stanje svećice i njene elektrode. Mora biti isto, a ne poљeno. Proverite da li je razmak svećica između 0,7 i 0,8mm (Sl. 8). Zamenite svećice novim, ako je potrebno.
4. Pažljivo priključite svećicu na motor ručno.
5. Kada se koncem zategne, koristite odgovarajući alat za svećice da biste zategli svećicu, obraćajući pažnju da ne koristite prekomernu silu koja oštećuje konce.
6. Ponovo priložite poklopac svećice.

UPOZORENJE

Nikada ne dozvolite prljavštini ili krhotinama da uđu u cilindar. Pre uklanjanja svećice temeljno očistite svećicu i područje glave cilindra.

TALOG OD GORIVA

UPOZORENJE

Održavajte karburator goriva samo na otvorenom i u dobro provetrenim delovima.

Za održavanje taloga za gorivo (Sl. 22):

1. Okreni ventil za gorivo na "OFF" poziciju.
2. Uklonite talog od karburatora sa gumenim prstenom za foke.
3. Uklonjene delove operite u rastvaraču, temeljno ih osušite.

UPOZORENJE

Nikada ne čistite talog za gorivo zapaljivim ili niskim deterdžentima za fleš tačku kako biste izbegli rizik od požara ili eksplozije.

4. Gumeni prsten za foke zamenite novim ako je potrebno.
5. Ponovo instalirajte gumeni prsten za foke i sedimentnu šolju i obezbedite na položaju.
6. Okrenite ventil za gorivo na "ON" poziciju i proverite da li ima curenja goriva.

FILTER ZA GORIVO

Rezervoar za gorivo može biti opremljen filterom, u zavisnosti od modela Tiler, koji se nalazi na zatvarač rezervoara za gorivo. Filter za gorivo može da se izabere i treba ga povremeno proveravati. Ako je filter prljav, očistite ga i zamenite novim po potrebi. U slučaju da je unutrašnjost rezervoara prljava, može se očistiti ispiranjem rezervoara za gorivo čistim benzinom.

ČIŠĆENJE

Koristite malu meku četku za čišćenje spoljašnjosti jedinice. Ne koristite jake deterdžente. Čistači domaćinstava koji sadrže aromatična ulja kao što su bor i limun i rastvarači kao što je kerozin mogu da oštete plastična kućište ili dršku. Obrisite svaku vlagu mekom krpom.

SKLADIŠTENJE

UPOZORENJE

Nikada ne skladištite jedinicu sa gorivom u rezervoaru i uvek dozvolite jedinici da se ohladi pre skladištenja. Jedinicu čuvajte samo u suvim i dobro provetrenim delovima.

UPOZORENJE

Aparat i pribor koji nisu potpuno isušeni mogu se uništiti mrazom ili buđi. Da biste izbegli oštećenja:

1. Ugasi aparat.
2. Isključite vodovod.
3. Odvoji koplje iz pištolja za okidač.
4. Gurni polugu pištolja za okidač dok više ne izađe voda.
5. Odvojite aparat od vodovoda.

U slučaju da će jedinica biti uskladištena duže vreme, koristite sledeću proceduru skladištenja:

1. Iscedite svo gorivo iz rezervoara i karburatora.
2. Zamenite ulje motora novim.
3. Uklonite svećicu i stavite 30 ml visokokvalitetnog motornog ulja u cilindar. Povucite starter kanap polako da distribuirate ulje. Ponovo instalirajte svećice.
4. Temeljno očistite jedinicu i proverite da li ima labavih ili oštećenih delova. Popravite ili zamenite oštećene delove i zategnite labave šrafove, orahe ili šrafove.
5. Podmazujte sve delove potrebne vlažnom krpom za ulje da biste izbegli izgrađenu rđu.

ZAŠTITA ŽIVOTNE SREDINE

Reciklirajte sirovine umesto da odlažete kao otpad. Mašina, pribor i ambalaža treba da se sortiraju za reciklažu pogodnu za životnu sredinu. Plastične komponente su označene za kategorizovanu reciklažu.

Odložite polovno motorno ulje i kontejnere na način koji je kompatibilan sa okolinom. Predlažemo da ga

odnesete u zapečaćenoj posudi u vaš lokalni reciklažni centar ili servisnu stanicu radi reklamacije. Nemojte ga bacati u smeće, sipati na zemlju ili sipati u odvod.

GARANCIJE

Ovaj proizvod je garantovan u skladu sa zakonskim / državnim propisima, koji stupaju na snagu od dana kupovine od strane prvog korisnika. Šteta koja se može pripisati normalnom habanomu i cedanju, preopтереćenju ili nepravilnom rukovanju biće isključena iz garancije. U slučaju zahteva, pošaljite mašinu, potpuno okupljenu, vašem dileru ili zvaničnom servisnom centru.

HRVATSKI

OPĆA SIGURNOSNA UPOZORENJA

Pročitajte i razumite ovaj korisnički priručnik prije uporabe ovog proizvoda. Možete pomoći u sprječavanju nesreća upoznavanjem s kontrolama vašeg proizvoda i promatranjem sigurnih radnih postupaka i sigurnosnih znakova. Uvijek koristite svoj zdrav razum kako biste izbjegli sve situacije koje se smatraju izvan vaših mogućnosti. Nemojte koristiti dok ste umorni ili pod utjecajem droga, alkohola ili bilo kojeg drugog lijeka. Držite prolaznike i životinje koje bi mogle biti ozlijeđene, kao i predmete koji bi se mogli oštetiti, dok radite. Nikada ne dopustite djeci ili osobama koje nisu upoznate s ovim uputama da koriste proizvod. Lokalni zakoni mogu ograničiti minimalnu dob operatera. Imajte na umu da je operater ili korisnik odgovoran za nesreće ili neočekivane događaje koji se dogode drugim ljudima, životinjama ili njihovoj imovini. Ne izlažite proizvod prekomjernoj vlazi, prašini, prljavštini ili korozivnim parama. Nemojte montirati opremu ili pribor na stroj koji nije predviđen ili odobren od strane proizvođača. Nikada ne pokušavajte modificirati proizvod. Neovlaštene izmjene ili dodaci mogu dovesti do ozbiljnih ozljeda ili smrti operatera ili drugih. Za rastavljanje i servis, koji nisu obuhvaćeni ovim priručnikom, obratite se svom ovlaštenom prodavaču. Ako se nešto pokvari ili dođe do nezgode tijekom rada, odmah isključite stroj i odmaknite ga kako biste spriječili daljnja oštećenja. U slučaju da je strano tijelo ušlo u stroj, odmah ga zaustavite, pregledajte ima li oštećenja i izvršite popravke prije ponovnog pokretanja.

ZAŠITNA OPREMA

Obavezno koristite odgovarajuću i certificiranu zaštitnu opremu kada radite s jedinicom. Uvijek nosite odjeću koja ne otežava kretanje, zaštitne rukavice, zaštitne naočale, respirator s polumaskom, zaštitu za uši i zaštitne čizme protiv smicanja s neklizajućim potplatom. Nikada ne nosite šalove, ogrlice ili bilo koji viseći ili lepršavi pribor i odjeću koja bi se mogla zapeti u stroju. Zavežite kosu ako je duga.

OPASNOSTI OD OTROVA

Radite samo na otvorenom i u dobro prozračenim prostorima. Kada radi, motor ispušta otrovni ugljični monoksid, plin bez mirisa i boje. Udisanje ugljičnog monoksida uzrokovati će mučninu, nesvjesticu ili smrt. Nemojte koristiti stroj u skućenom prostoru gdje se mogu razviti opasni isparenja ugljičnog monoksida ili u blizini otvorenih prozora. Gorivo i ulje su izuzetno otrovni. Nemojte udisati plinove koji isparavaju gorivo i uvijek nosite odgovarajuću zaštitnu opremu pri rukovanju njima. Gorivo i ulje uvijek skladištite u odobrenim spremnicima i odgovorno ih zbrinite.

OPASNOSTI OD POŽARA I OPEKA

Neki dijelovi stroja se dovoljno zagriju da zapale zapaljive materijale. Nemojte koristiti u područjima s visokim rizikom od požara. Ne usmjeravajte prigušivač, a time i ispušne plinove prema zapaljivim materijalima.

Neki dijelovi stroja se dovoljno zagriju da izazovu opekline. Pazite da ih ne dodirujete kako biste izbjegli opekline. Pustite da se uređaj ohladi prije spremanja. Benzin i ulje su zapaljivi. Prije uporabe slijedite upute svakog proizvođača. Potencijalne izvore vatre ili iskre uvijek treba držati podalje. Nemojte pušiti u blizini stroja ili goriva i ulja. Dolijevajte gorivo samo na otvorenom, u dobro prozračenom prostoru, s ugašenim motorom. Polako otvorite spremnik goriva kako bi se tlak u njemu postupno smanjivao. Nemojte prepuniti spremnik goriva. Provjerite postoji li neka udaljenost između rezervnog spremnika benzina i jedinice, kako biste spriječili nepotrebnu opasnost. Prije pokretanja motora uvjerite se da je sve proliveno gorivo i ulje obrisano. Ako dođe do požara, upotrijebite odgovarajući aparat za gašenje požara posebno dizajniran za požar na ulju i benzinu.

UPOZORENJA KATEGORIJE

SIGURAN RAD

Sve operativne poluge stroja moraju se lako pomicati iz jednog položaja u drugi i ne smiju se prisiljavati. Električni kabeli, a posebno kabel svjeće, moraju biti u savršenom stanju kako bi se izbjeglo stvaranje iskri, a poklopac svjeće mora biti ispravno postavljen na svjeću. Rukohvati i zaštitni uređaji moraju biti čisti i suhi, kao i sigurno pričvršćeni na stroj.

Prije početka rada uvijek provjerite ima li predmeta koji bi mogli blokirati zaslon za usis zraka. Začepljen usis zraka smanjuje performanse stroja i povećava radnu temperaturu motora, što može dovesti do kvara motora.

Provjerite jeste li zaustavili motor:

- ▶ Prilikom montaže ili skidanja pribora.
- ▶ Prilikom kretanja između radnih područja ili iznad popločanih površina i prepreka na tlu.
- ▶ Kad god ostavite stroj bez nadzora.
- ▶ Tijekom točenja goriva.
- ▶ Tijekom čišćenja ili održavanja.
- ▶ Tijekom transporta.
- ▶ Prije skladištenja.

UPOZORENJE

Prema važećim propisima, uređaj se nikada ne smije koristiti na mreži za pitku vodu bez separatora sustava. Osigurajte da je priključak vaše građevinske vodovodne instalacije na kojoj radi visokotlačni čistač opremljen separatorom sustava. Voda koja je prošla kroz sprječavanje povratnog toka smatra se nepitkom.

OPASNOSTI OD BUKE I VIBRACIJA

Razine buke i vibracija prikazane u ovim uputama su maksimalne razine za korištenje stroja. Nedovoljno održavanje ima značajan utjecaj na vibracije i emisije buke. Slijedom toga, potrebno je poduzeti preventivne korake kako bi se otklonila moguća oštećenja zbog visoke razine buke i stresa od vibracija. Dobro održavajte stroj, nosite štitnike za uši, antivibracijske rukavice i pravite pauze tijekom rada. Rad stroja sa stabilnom brzinom i čvrsto hvatanje ručki odgovarajućom silom može smanjiti razinu vibracija. Tijekom radnog dana pravite česte i primjerene pauze kako biste spriječili oštećenja od vibracija i oštećenja ušiju. Dugotrajno izlaganje vibracijama može uzrokovati ozljede i neurovaskularne poremećaje, osobito kod

osoba koje pate od poremećaja cirkulacije. Simptomi se mogu odnositi na šake, zapešća i prste i pokazuju se kroz gubitak osjetljivosti, tromost, svrbež, bol i promjenu boje ili strukturne promjene na koži. Ti se učinci mogu pogoršati niskim temperaturama okoline ili pretjeranim hvatanjem rukohvata. Ako se pojave takvi simptomi, potrebno je smanjiti vrijeme korištenja stroja i posavjetovati se s liječnikom.

OPASNOSTI NA RADNOM PODRUČJU

Temeljito pregledajte cijelo radno područje i upotrijebite grablje ili dvorišnu četku da ručno otpustite krhotine i uklonite sve što bi moglo biti izbačeno strojem, biti opasan izvor ili uzrokovati štetu na stroju ako se preгази (kamenje, grane, željezna žica, kosti itd.). Provjerite da nema promatrača, životinja ili predmeta koji bi se mogli oštetiti unutar najmanje 15 metara od dometa djelovanja stroja.

Radite samo na dnevnom svjetlu, ili uz odgovarajuće umjetno svjetlo, u uvjetima dobre vidljivosti. Pokušajte ne uzrokovati nikakve smetnje bukom, koristeći ovaj stroj samo u razumno doba dana.

Zauzmite čvrst i uravnotežen položaj. Gdje je moguće, izbjegavajte rad na mokrom, skliskom tlu ili u svakom slučaju na neravnom ili strmom terenu koji ne jamči stabilnost za operatera.

Visokotlačni mlaznici mogu biti opasni. Kako biste smanjili rizik od oštećenja ili ozljeda, nemojte usmjeravati vodeni mlaz izravno na ljude, kućne ljubimce, osjetljivu imovinu, električnu opremu pod naponom ili sam stroj.

Mlaz vode koji se emitira iz visokotlačne mlaznice rezultira snagom odbijanja koja djeluje na ručni pištolj za prskanje. Uvjerite se da ste čvrsto oslonjeni i da također držite ručni pištolj za prskanje i mlaznicu za prskanje čvrsto s obje ruke.

PREOSTALE OPASNOSTI

Stroj je izrađen suvremenom tehnologijom i u skladu s priznatim sigurnosnim pravilima. Čak i kada su sve sigurnosne mjere na snazi, mogu biti prisutne neke preostale opasnosti koje još nisu očite. Operater bi trebao koristiti zdrav razum i poduzeti potrebne mjere kako bi izbjegao rizik zbog preostalih opasnosti.

SPECIFIKACIJE PROIZVODA

NAMJENA

Ovaj proizvod je dizajniran i proizveden za korištenje za čišćenje vozila, zgrada, terasa, fasada i ostalog pomoću čiste hladne vode i biorazgradivih kemijskih deterdženata.

Svaka druga uporaba koja se razlikuje od gore navedenih može biti opasna, oštetiti ljude i/ili oštetiti stvari i stroj.

UPOZORENJE

Uređaj je dizajniran za korištenje sa sredstvom za čišćenje koje je isporučio ili preporučio proizvođač. Korištenje drugih sredstava za čišćenje ili kemikalija može negativno utjecati na sigurnost uređaja.

UPOZORENJE

Ispustite preostali tlak i tlak pumpe prije odvajanja crijeva od proizvoda. Isključite visokotlačni perać, zatim zatvorite slavinu za vodu i na kraju pritisnite okidač pištolja dok se voda iz pumpe ne ispusti.

NEPRAVILNA UPOTREBA

Stroj se ne smije koristiti za rukovanje opasnim materijalima, npr. nakupljanje zapaljivih ili eksplozivnih proizvoda, čvrstog materijala ili bilo kojeg drugog predmeta koji bi mogao biti opasan za sam stroj, kao i za operatera, prolaznike, životinje ili imovinu.

Primjeri nepravilne uporabe mogu uključivati, ali nisu ograničeni na rukovanje strojem:

- ▶ Bez dodatne opreme koju je proizvođač posebno isporučio za posebne namjene ili korištenja pribora na način koji nije predviđen ovim uputama;
- ▶ Pod operativnim kutom drugačijim od razine tla.
- ▶ Uz neovlaštene izmjene.
- ▶ Od strane više od jedne osobe.

TEHNIČKA OBILJEŽJA STRANICA 78

IDENTIFIKACIJA (SL. 1-3)

1. Pištolj i koplje
2. Crijevo
3. Pumpa
4. Kotač
5. Motor
6. Mlaznica
7. Drška
8. Otvor za punjenje ulja pumpe
9. Pumpa mjerač razine ulja
10. Otvor za ispuštanje ulja pumpe
11. Ulazni otvor za vodu
12. Otvor za izlaz vode
13. Ulazni otvor za deterdžent
14. Gumb za podešavanje tlaka
15. Poklopac rezervoara za gorivo
16. Spremnik za gorivo
17. Recoil starter
18. Zračni filter
19. Svječica
20. Šal
21. Poluga prigušnice
22. Poluga za čeljust
23. Poluga ventila za gorivo
24. ON/OFF prekidač
25. Otvor za punjenje motornog ulja
26. Mjerač razine motornog ulja
27. Otvor za ispuštanje motornog ulja

OPERACIJA

PREOPERACIJA

Raspakiranje i dovršavanje montaže treba obaviti na ravnoj i stabilnoj površini, s dovoljno prostora za pomicanje stroja i njegove ambalaže, uvijek koristeći prikladnu opremu (Sl. 5).

Prije početka rada molimo:

1. Provjerite jesu li svi vijci dobro pričvršćeni.
2. Provjerite je li filter zrak čist.
3. Napunite motor uljem i gorivom kako je dolje navedeno.
4. Napunite pumpu uljem kao što je prikazano u nastavku.

PUNJENJE GORIVA I PODMAZIVANJA UPOZORENJE

Nikada nemojte pušiti tijekom točenja goriva i držite gorivo podalje od svih izvora vatre ili iskre. Izbjegavajte

udisanje benzinskih para i uvijek dolijevajte gorivo u vanjskim i dobro prozračenim prostorima.

UPOZORENJE

Motor se isporučuje bez ulja i goriva.

Ovo je 4-taktni motor što znači da se u spremnik goriva treba koristiti benzin, a kućište motora treba biti napunjeno 4-taktnim motornim uljem.

Specifikacije goriva: Bezolovni benzin

Specifikacije ulja: Koristite samo ulje koje zadovoljava zahtjeve API klase servisa SF ili više i prema relativnoj tablici (Sl. 12).

Uvijek koristite čistu posudu za skladištenje goriva i nemojte koristiti gorivo pohranjeno duže od mjesec dana.

Koristite lijevak kako biste izbjegli prolijevanje goriva ili ulja. Nemojte prepuniti.

Za punjenje motora gorivom:

1. Skinite poklopac spremnika za gorivo.

UPOZORENJE

Pažljivo otvorite poklopac spremnika jer se unutra mogao stvoriti pritisak.

2. Dolijte gorivo do gornje razine goriva (Sl. 13.2). Ostavite najmanje 5 mm prostora između vrha goriva i unutarnjeg ruba spremnika kako biste omogućili širenje.
3. Ponovno namjestite poklopac spremnika za gorivo i zategnite ga na odgovarajući način.

Za punjenje motora uljem:

1. Skinite čep za punjenje ulja (Sl. 14.1). Njegov donji dio je indikator razine ulja (šipka za mjerenje ulja).
2. Dodajte dovoljno ulja da se razina ulja dovede između gornje (Sl. 14.3) i donje (Sl. 14.4) granice na šipki za mjerenje ulja. Mjerenje treba obaviti s mjernom šipkom postavljenom, ali ne uvrtnom, u grlo za punjenje.
3. Ponovno namjestite poklopac ulja i zategnite ga na odgovarajući način.

UPOZORENJE

Prije pokretanja motora obrišite proliveno gorivo i ulje.

Za punjenje pumpe uljem:

1. Uklonite transportni utikač (Sl. 6.1).
2. Dodajte dovoljno ulja da se razina ulja dovede između gornje (Sl. 6.3) i donje (Sl. 6.4) granice na mjeracu razine ulja.
3. Postavite novi čep za ulje (Sl. 6.2) i zategnite ga na odgovarajući način.

POKRETANJE JEDINICE

UPOZORENJE

Prije pokretanja motora provjerite jeste li i stroj i vi na stabilnom tlu.

UPOZORENJE

Suhi rad dulje od 2 minute može dovesti do oštećenja visokotlačne pumpe. Ako uređaj ne podigne tlak u roku od 2 minute, isključite uređaj i kontaktirajte svog trgovca u blizini.

Za pokretanje motora:

1. Sastavite pištolj i koplje zajedno (Sl. 7).
2. Montirajte visokotlačno crijevo (sl. 8.2) na izlazni otvor za vodu (Sl. 8.1).
3. Sastavite pištolj i koplje na slobodni kraj crijeva.
4. Montirajte crijevo za dovod vode (Sl. 9.2) na ulazni otvor za vodu (Sl. 9.1) crpke, koristeći odgovarajuće priključke i filter.

UPOZORENJE

Prije spajanja crijeva za dovod vode na dovod vode, pregledajte zaslon za dovod vode (Sl. 9.3). Očistite zaslon ako sadrži krhotine i zamijenite ga ako je oštećen. Također, provjerite je li crijevo koje namjeravate spojiti čisto od bilo kakvih krhotina. Koristite samo hladnu vodu (manje od 40 °C) s protokom od najmanje 19 L/m i ne manjim od 1,3 bara tlaka.

5. Otvorite dovod vode.

6. Pomaknite ručicu ventila za gorivo (Sl. 15.1) u položaj "ON".

7. Pomaknite polugu prigušivača (Sl. 16.1) u položaj "CHOKE".

BILJEŠKA

Ovaj korak se odnosi samo na hladno pokretanje motora. Kada je motor već zagrijan ili je temperatura okoline visoka, polugu prigušivača treba cijelo vrijeme biti u položaju "RUN".

8. Pomaknite prekidač ON/OFF u položaj "ON" (Sl. 17.1).

9. Lijevom rukom čvrsto uhvatite ručku stroja, a desnom rukom držač za pokretanje (Sl. 18.2) motora. Povucite rukohvat startera dok ne osjetite otpor da biste uključili motor, a zatim snažno povucite da biste pokrenuli motor.

UPOZORENJE

Kako biste izbjegli prekid startnog užeta (Sl. 18.1), nemojte ga povlačiti cijelom dužinom ili pustiti da klizi uz rub otvora za vodilicu kabela. Otpušajte starter postupno kako biste izbjegli da nekontrolirano odleti natrag.

10. Kako se motor zagrijava, postupno pomaknite ručicu prigušnice u položaj "RUN", ako je motor bio hladan.

BILJEŠKA

Za maksimalnu učinkovitost i pouzdanost, dopustite motoru da se zagrije prije rada pri punom opterećenju, radeći dvije do tri minute u praznom hodu.

UPRAVLJANJE JEDINICOM

UPOZORENJE

Održavajte razmak od najmanje 30 cm između vodenog mlaza i svih osjetljivih predmeta ili obojenih površina kako biste izbjegli oštećenje.

UPOZORENJE

Strogo namjestite motor prema reguliranoj snazi u priručniku za upotrebu. Nemojte preopteretiti, pretjerati ili pokrenuti motor s malim opterećenjem i malom brzinom.

MAZNICE

Tlačni perač dolazi s pet mlaznica za prskanje. Svaka mlaznica je označena bojom i daje specifičan uzorak raspršivanja i pritisak za određeni posao čišćenja:

► Crvena - 0°: Ova mlaznica isporučuje točan mlaz vode pod pritiskom i iznimno je moćna. Pokriva samo malu površinu čišćenja. Ovu mlaznicu treba usmjeriti samo na površine koje mogu izdržati visoki tlak kao što su beton ili nebojeni metal. Ne koristiti na čistom drvu.

► Žuta - 15°: Ova mlaznica isporučuje moćan uzorak prskanja od 15° za intenzivno čišćenje malih površina. Ovu mlaznicu treba usmjeriti samo na površine koje mogu izdržati visoki tlak kao što su beton ili nebojeni metal.

- ▶ Zelena - 25°: Ova mlaznica daje uzorak prskanja od 25° za intenzivno čišćenje većih površina. Ova mlaznica smije biti usmjerena samo na površine koje mogu izdržati visoki tlak kao što su beton ili neobojeni metal.
- ▶ Bijela - 40°: Ova mlaznica daje uzorak prskanja od 40° i manje snažan mlaz vode. Ova mlaznica može pokriti široko područje i trebala bi se koristiti za većinu općih poslova čišćenja.
- ▶ Crna - Deterdžent: Ova mlaznica se koristi za nanošenje posebnih kemijskih otopina i otopina za čišćenje. Izlazni tlak stroja također treba smanjiti kada se koristi ova mlaznica.

UPOTREBA KEMIKALIJA

UPOZORENJE

Koristite samo deterdžente posebno dizajnirane za visokotlačne peralice. Neprikladni deterdženti mogu oštetiti pumpu.

Za korištenje deterdženta s visokotlačnim peraćem (Sl. 11):

1. Pričvrstite crijevo za deterdžent na ulazni otvor za deterdžent pumpe.
2. Stavite drugi kraj crijeva za deterdžent u posudu za deterdžent.
3. Pričvrstite mlaznicu za deterdžent na cijev (Sl. 10).
4. Poprskajte deterdžent na suhu površinu.
5. Pustite da deterdžent djeluje na površini tri do pet minuta.
6. Isperite deterdžent s površine čistom vodom.

UPOZORENJE

Nakon upotrebe deterdženta važno je da visokotlačni perać očistite čistom vodom. Pustite čistu vodu kroz visokotlačni perać nekoliko minuta, nakon što uklonite dovod deterdženta.

ZAUSTAVLJANJE JEDINICE

UPOZORENJE

Izbjegavajte naglo zaustavljanje motora pri velikoj brzini ili pod velikim opterećenjem kako biste izbjegli kvar motora.

Za zaustavljanje stroja:

1. Pomaknite prekidač ON/OFF u položaj "OFF" (Sl. 17.2).
2. Pomaknite ručicu ventila za gorivo u položaj "OFF".
3. Isključite dovod vode.
4. Pritisnite ručicu pištolja sve dok se ne ispusti preostala voda u pumpi, crijevima i pištolju.

ODRŽAVANJE I ČIŠĆENJE

UPOZORENJE

Nikada ne obavljajte održavanje ili čišćenje dok je jedinica uključena. Uvijek radite na hladnoj jedinici. Prije čišćenja ili održavanja, odvojite poklopac svjećice i pročitajte odgovarajuće upute. Uvijek nosite odgovarajuću odjeću i zaštitne rukavice kad god su vaše ruke u opasnosti.

Sve prilagodbe ili radnje održavanja koje nisu opisane u ovom priručniku mora izvršiti vaš prodavač ili ovlašteni servisni centar s potrebnim znanjem i opremom kako bi se osiguralo da se posao obavlja ispravno uz održavanje izvorne sigurnosne razine stroja. Sve radnje izvršene

u neovlaštenim centrima ili od strane nekvalificiranih osoba u potpunosti će poništiti Jamstvo i sve obveze i odgovornosti Proizvođača.

Držite sve matice i vijke čvrsto kako biste bili sigurni da je stroj uvijek u sigurnom radnom stanju. Rutinsko održavanje ključno je za sigurnost i održavanje visoke razine performansi.

UPOZORENJE

Nikada nemojte koristiti strojsu istrošenim ili oštećenim dijelovima. Neispravne ili istrošene dijelove uvijek morate zamijeniti, a ne popravljati. Koristite samo originalne rezervne dijelove.

RASPORED ODRŽAVANJA

učestalost		Prije svake upotrebe	Nakon 1. mjeseca ili 10 sati operacije	Svaka 3 mjeseca ili 50 sati rada	Svaki 6 mjeseci ili 100 sati rada	Svaki 12 mjeseci ili 200 sati rada
Kompletna jedinica	Ček	✓				
Kontrolne ručke	Ček	✓				
Motorno ulje	Provjerite - dopunite	✓				
	Zamijeniti		✓		✓	
Pumpa ulje	Provjerite - dopunite	✓				
	Zamijeniti		✓		✓	
Zračni filter	Provjerite - Očistite	✓*	✓			
	Zamijeniti					✓
Filter goriva	Provjerite - Očistite				✓*	
Cijev za gorivo	Provjerite - očistite					✓*
Čaša za polog	Provjerite - očistite				✓	
Zazor ventila	Provjerite - Podesite					✓**

*Ove stavke treba zamijeniti ako je potrebno.

**Ove predmete treba održavati i popravljati samo ovlašteni prodavač, koji ima odgovarajući alat i potrebnu mehaničku vještinu.

ULJE MOTORA I PUMPE

UPOZORENJE

Provjeru razine i promjenu ulja treba obaviti na čvrstom i ravnom tlu. Motor mora uvijek biti zaustavljen. Ako je motor radio, bit će vruć i postupak treba obaviti pažljivo kako bi se izbjegla opasnost od opeklina.

Za provjeru razine motornog ulja:

1. Skinite čep za punjenje ulja.
2. Očistite šipku za mjerenje ulja.
3. Umetnite šipku za mjerenje ulja u otvor za punjenje ulja, bez da ga zavrтите.
4. Izvadite šipku za mjerenje ulja i provjerite razinu ulja prikazanu na njoj. Po potrebi napunite uljem do gornje razine.
5. Postavite šipku za mjerenje ulja na mjesto i zategnite je na odgovarajući način.

Za promjenu motornog ulja:

BILJEŠKA

Ispustite iskorišteno ulje dok je motor topao. Toplo ulje se brzo i potpuno isprazni.

1. Skinite čep za punjenje ulja s grla za punjenje motornog ulja.
2. Stavite odgovarajuću posudu (Sl. 19.3) ispod otvora za ispuštanje ulja (Sl. 19.2) kako biste uhvatili iskorišteno ulje.
3. Skinite čep za ispuštanje ulja (sl. 19.4) i podlošku (Sl. 19.5) kako biste omogućili da ulje potpuno iscuri.
4. Ponovno namjestite čep za ispuštanje ulja s podloškom i zategnite ga na odgovarajući način.
5. Postupno dodajte dovoljno ulja da se razina ulja dovede do ruba grla za punjenje ulja, do gornje razine i ne niže od donje razine.
6. Ponovno namjestite poklopac spremnika za ulje i zategnite ga na odgovarajući način.

BILJEŠKA

Ako motor često radi u prašnjavim ili drugim teškim okolnostima, mijenjajte motorno ulje svakih 10 sati.

Za provjeru razine ulja pumpe:

1. Skinite čep za punjenje ulja.
2. Provjerite razinu ulja na mjerачu ulja. Po potrebi napunite uljem do gornje razine.
3. Postavite čep za punjenje ulja na mjesto i zategnite ga na odgovarajući način.

Za promjenu ulja pumpe:

1. Skinite čep za punjenje ulja.
2. Ispod otvora za ispuštanje ulja stavite odgovarajuću posudu kako biste prikupili iskorišteno ulje.
3. Skinite čep za ispuštanje ulja i podlošku kako biste omogućili da ulje potpuno iscuri.
4. Ponovno namjestite čep za ispuštanje ulja s podloškom i zategnite ga na odgovarajući način.
5. Postupno dodajte dovoljno ulja da se razina ulja podigne na gornju razinu, a ne nižu od donje razine.
6. Ponovno namjestite poklopac spremnika za ulje i zategnite ga na odgovarajući način.

UPOZORENJE:

Pokretanje motora ili pumpe dovest će do oštećenja motora zbog niske razine ulja.

BILJEŠKA

Odložite iskorišteno motorno ulje i posude na način koji je kompatibilan s okolišem. Predlažemo da ga u zatvorenom spremniku odnesete u lokalni centar za reciklažu ili servisnu postaju na povrat. Nemojte ga bacati u smeće, sipati na zemlju ili sipati u odvod.

ZRAČNI FILTER

UPOZORENJE

Rad motora bez pročistača zraka ili s oštećenim pročistačem zraka omogućit će ulazak prljavštine u motor, uzrokujući brzo trošenje motora.

Za provjeru, čišćenje ili promjenu filtera zraka:

1. Skinite poklopac filtera zraka (Sl. 20.1).
2. Provjerite je li element filtera zraka (Sl. 20.2) čist i u dobrom stanju. Ako je prljav, uklonite ga i očistite. Za čišćenje pjenastog elementa filtera zraka operite ga kućnim deterdžentom i toplom vodom i ostavite da se osuši. Zatim ga namočite u čisto zasićeno motorno ulje i lagano istisnite višak ulja. Ako je potrebno, zamijenite ga novim. Za čišćenje papirnog elementa filtera zraka, očistite lagano prljavštinu nježno ga nekoliko puta zalijepite na tvrdu površinu i zamijenite ako je prisutna velika prljavština.
3. Očistite unutrašnjost kućišta filtera zraka i pokrijte ga od prljavštine mekom krpom. Ako je motor opremljen zračnim filterom tipa uljne kupke, zamijenite ulje novim motornim uljem.
4. Ponovno postavite element filtera zraka i slijedite obrnuti postupak kako biste vratili poklopac filtera zraka na mjesto.

UPOZORENJE

Filter zraka nikada nemojte čistiti zapaljivim deterdžentima ili deterdžentima s niskom točkom paljenja kako biste izbjegli rizik od požara ili eksplozije.

BILJEŠKA

Ako motor često radi u prašnjavim ili drugim teškim okolnostima, očistite element filtera zraka svakih 10 sati. Ako je potrebno, mijenjajte element filtera zraka svakih 25 sati.

SVJEČICA

Za održavanje svječice (Sl. 21):

1. Skinite čep svječice kako biste pristupili svječići.
2. Upotrijebite odgovarajući alat za svječicu da pažljivo uklonite svječicu.
3. Provjerite stanje svječice i njene elektrode. Mora biti čist i ne istrošen. Provjerite je li razmak svječice između 0,7 i 0,8 mm (Sl. 8). Zamijenite svječicu novom, ako je potrebno.
4. Pažljivo rukom uvucite svječicu u motor.
5. Nakon navoja, upotrijebite odgovarajući alat za svječicu za zatezanje svječice, pazite da ne koristite prekomjernu silu koja oštećuje navoje.
6. Ponovno pričvrstite poklopac svječice.

UPOZORENJE

Nikada nemojte dopustiti da prljavština ili krotine uđu u provrt cilindra. Prije uklanjanja svječice, temeljito očistite svječicu i područje glave cilindra.

ČAŠICA ZA TALOG GORIVA

UPOZORENJE

Karburator za gorivo održavajte samo na otvorenom i u dobro prozračanim prostorima.

Za održavanje posude za taloženje goriva (Sl. 22):

1. Okrenite ventil za gorivo u položaj "OFF".
2. Skinite posudu za taloženje goriva rasplinjača s gumenim brtvenim prstenom.
3. Uklonjene dijelove operite u otapalu, dobro ih osušite.

UPOZORENJE

Nikada nemojte čistiti posudu za taloženje goriva zapaljivim deterdžentima ili deterdžentima s niskom temperaturom paljenja kako biste izbjegli rizik od požara ili eksplozije.

4. Po potrebi zamijenite gumeni brtveni prsten novim.
5. Ponovno postavite gumeni brtveni prsten i posudu za taloženje i učvrstite na mjestu.
6. Okrenite ventil za gorivo u položaj "ON" i provjerite ima li curenja goriva.

FILTER GORIVA

Spremnik goriva može biti opremljen filterom, ovisno o modelu rude, koji se nalazi na poklopcu spremnika za gorivo. Filter goriva se može izvaditi i treba ga povremeno provjeravati. Ako je filter prljav, očistite ga i po potrebi zamijenite novim. U slučaju da je unutrašnjost spremnika za gorivo prljava, može se očistiti ispiranjem spremnika za gorivo čistim benzinom.

ČIŠĆENJE

Koristite malu meku četku za čišćenje vanjske strane jedinice. Nemojte koristiti jake deterdžente. Sredstva za čišćenje u kućanstvu koja sadrže aromatična ulja poput bora i limuna te otapala poput kerozina mogu oštetiti plastično kućište ili ručku. Obrišite svu vlagu mekom krpom.

SKLADIŠTENJE

UPOZORENJE

Nikada nemojte spremati jedinicu s gorivom u spremniku i uvijek ostavite da se ohladi prije skladištenja. Uređaj čuvajte samo u suhim i dobro prozračenim prostorima.

UPOZORENJE

Aparat i pribor koji nisu potpuno isušeni mogu se uništiti mrazom ili plijesni. Kako biste izbjegli štetu:

1. Isključite uređaj.
2. Isključite dovod vode.
3. Odvojite mlaznicu od pištolja za okidanje.
4. Gurnite polugu pištolja za okidanje sve dok voda više ne izlazi.
5. Odvojite uređaj od dovoda vode.

U slučaju da će jedinica biti pohranjena dulje vrijeme, koristite sljedeći postupak skladištenja:

1. Ispustite svo gorivo iz spremnika goriva i karburatora.
2. Zamijenite motorno ulje novim.
3. Izvadite svjećicu i ulijte 30 ml visokokvalitetnog motornog ulja u cilindar. Polako povucite uže za pokretanje kako biste rasporedili ulje. Ponovno postavite svjećicu.
4. Temeljito očistite jedinicu i pregledajte ima li labavih ili oštećenih dijelova. Popravite ili zamijenite oštećene dijelove i zategnite olabavljene vijke, matice ili vijke.
5. Podmažite sve potrebne dijelove uljnom krpom kako biste izbjegli nakupljanje hrđe.

ZAŠTITA OKOLIŠA

Reciklirajte sirovine umjesto da ih odlažete kao otpad. Stroj, pribor i ambalažu treba razvrstati za ekološki prihvatljivo recikliranje. Plastične komponente označene su za kategorizirano recikliranje.

Odložite iskorišteno motorno ulje i posude na način koji je kompatibilan s okolišem. Predlažemo da ga u zatvorenom spremniku odnesete u lokalni centar za reciklažu ili servisnu postaju na povrat. Nemojte ga bacati u smeće, sipati na zemlju ili sipati u odvod.

JAMSTVO

Ovaj proizvod je pod jamstvom u skladu sa pravnim/specifičnim propisima određene zemlje, koji stupaju na snagu od datuma kupnje od strane prvog korisnika. Oštećenja koja se mogu pripisati normalnom trošenju, preopterećenju ili nepravilnom rukovanju bit će isključena iz jamstva. U slučaju reklamacije, pošaljite stroj, potpuno sastavljen, svom prodavaču ili službenom servisu.

ROMÂNĂ

AVERTIZĂRI GENERALE DE SIGURANȚĂ

Citiți și înțelegeți acest manual de utilizare înainte de a utiliza acest produs. Puteți ajuta la prevenirea accidentelor prin familiarizarea cu comenzile produsului dvs. și prin respectarea procedurilor de operare în siguranță și a semnelor de siguranță. Foloseșteți întotdeauna un bun simț pentru a evita toate situațiile considerate peste capacitatea ta. Nu utilizați când sunteți obosit sau sub influența drogurilor, alcoolului sau a oricăror alte medicamente. Țineți trecătorii și animalele care ar putea fi rănite, precum și obiectele care ar putea fi deteriorate departe, în timpul funcționării. Nu permiteți niciodată copiilor sau persoanelor care nu sunt familiarizate cu aceste instrucțiuni să folosească produsul. Legile locale pot restricționa vârsta minimă a operatorului. Rețineți că operatorul sau utilizatorul este responsabil pentru accidente sau evenimente neașteptate care au loc asupra altor persoane, animale sau proprietăți ale acestora. Nu expuneți produsul la umiditate excesivă, praf, murdărie sau vapori corozivi. Nu montați echipamente sau accesorii pe mașină neprevăzute sau aprobate de producător. Nu încercați niciodată să modificați produsul. Modificările sau accesoriile neautorizate pot duce la vătămări corporale grave sau moartea operatorului sau a altora. Consultați dealerul dumneavoastră autorizat pentru dezasblare și servicii, care nu sunt tratate în acest manual. Dacă ceva se rupe sau are loc un accident în timpul lucrului, opriți imediat mașina și îndepărtați-o pentru a preveni deteriorarea ulterioară. În cazul în care un corp străin a pătruns în mașină, opriți-l imediat, verificați-l pentru eventuale deteriorări și efectuați reparații înainte de a-l porni din nou.

ECHIPAMENT DE PROTECȚIE

Asigurați-vă că utilizați echipament de protecție adecvat și certificat atunci când utilizați unitatea. Purtați întotdeauna îmbrăcăminte care nu împiedică mișcările, mănuși de protecție, ochelari de protecție, respirator cu semi-mască, protecție pentru urechi și cizme de siguranță antiforfecare cu tălpi antiderapante. Nu purtați niciodată eșarfe, coliere sau orice accesorii și îmbrăcăminte care s-ar putea prinde în mașină. Legați-vă părul dacă este lung.

PERICOLE DE OTRAVĂ

Operați numai în aer liber și în zone bine ventilate. Când funcționează, motorul evacuează monoxid de carbon otrăvitor, un gaz inodor și incolor. Inhalarea monoxidului de carbon va provoca greață, leșin sau moarte. Nu utilizați mașina într-un spațiu închis în care se pot dezvolta vapori periculoși de monoxid de carbon sau lângă ferestre deschise. Combustibilul și uleiul sunt extrem de toxice. Nu inhalați gazele de evaporare ale combustibilului și purtați întotdeauna echipament de protecție adecvat atunci când le manipulați. Depozitați întotdeauna combustibilul și uleiul în recipiente aprobate și aruncați-le în mod responsabil.

PERICOLE DE INCENDI ȘI ARSURI

Unele părți ale mașinii devin suficient de fierbinți pentru a aprinde materiale inflamabile. Nu utilizați în zone cu risc ridicat de incendiu. Nu îndreptați amortizorul și, prin urmare, gazele de eșapament spre materiale inflamabile.

Unele părți ale mașinii se încălzesc suficient pentru a provoca arsuri. Acordați atenție să nu le atingeți pentru a nu vă arde. Lăsați mașina să se răcească înainte de a o depozita.

Benzina și uleiul sunt inflamabile. Urmați instrucțiunile furnizate de fiecare producător înainte de utilizare. Sursele potențiale de foc sau scânteii trebuie ținute la distanță în orice moment. Nu fumați lângă mașină sau orice combustibil și ulei. Alimentați numai în aer liber, într-o zonă bine ventilată, cu motorul oprit. Deschideți încet rezervorul de combustibil pentru a permite presiunii din interior să scadă treptat. Nu umpleți excesiv rezervorul de combustibil. Asigurați-vă că există o anumită distanță între orice rezervor de benzină de rezervă și unitate, pentru a preveni pericolele inutile. Asigurați-vă că orice combustibil și ulei vărsat au fost șters înainte de a porni motorul. Dacă apare un incendiu, utilizați un stingător adecvat special conceput pentru incendiu cu ulei și benzină.

CATEGORIA AVERTIZĂRI DE SIGURANȚĂ

OPERAREA SIGURANȚA

Toate părțile operaționale ale mașinii trebuie să se deplaseze cu ușurință dintr-o poziție în alta și nu trebuie să fie forțate. Cablurile electrice și în special cablul bujiilor trebuie să fie în stare perfectă pentru a evita generarea oricăror scânteii și capacul bujiilor trebuie să fie corect montat pe bujie. Mănerile și dispozitivele de protecție trebuie să fie curate și uscate, precum și bine fixate pe mașină.

Verificați întotdeauna dacă există obiecte care ar putea bloca suta de admisie a aerului înainte de a începe lucrul. O admisie de aer înfundată reduce performanța mașinii și crește temperatura de lucru a motorului, ceea ce poate duce la defecțiunea motorului. Asigurați-vă că opriți motorul:

- ▶ La montarea sau demontarea accesoriilor.
- ▶ Când vă deplasați între zonele de lucru sau deasupra zonelor pavate și obstacolelor de la sol.
- ▶ Ori de câte ori lăsați aparatul nesupravegheat.
- ▶ În timpul realimentării.
- ▶ În timpul curățării sau întreținerii.
- ▶ În timpul transportului.
- ▶ Înainte de depozitare.

AVERTIZARE

Conform reglementărilor în vigoare, aparatul nu trebuie utilizat niciodată pe rețeaua de apă potabilă fără un separator de sistem. Asigurați-vă că racordul instalației dvs. de apă a clădirii pe care este acționat curățătorul de înaltă presiune este echipat cu un separator de sistem. Apa care a trecut prin dispozitivele de prevenire a refluxului este considerată a fi nepotabilă.

PERICOLE DE ZGOMOT ȘI VIBRAȚII

Nivelurile de zgomot și vibrații indicate în aceste instrucțiuni sunt nivelurile maxime de utilizare a

mașinii. Întreținerea insuficientă are un impact semnificativ asupra vibrațiilor și emisiilor de zgomot. În consecință, este necesar să se ia măsuri preventive pentru a elimina eventualele daune datorate nivelurilor ridicate de zgomot și stres cauzat de vibrații. Întreține bine mașina, purtați dispozitive de protecție pentru urechi, mănuși anti-vibrații și luați pauze în timpul lucrului. Operarea mașinii cu o viteză stabilă și prinderea fermă a mânerelor cu o forță adecvată poate reduce nivelul vibrațiilor. În timpul unei zile de lucru, trebuie să faceți pauze frecvente și adecvate pentru a preveni deteriorarea cauzată de vibrații și deteriorarea urechilor. Expunerea prelungită la vibrații poate provoca leziuni și tulburări neurovasculare, în special persoanelor care suferă de tulburări de circulație. Simptomele pot viza mâinile, încheieturile și degetele și se manifestă prin pierderea sensibilității, toropeală, mâncărime, durere și decolorare sau modificări structurale ale pielii. Aceste efecte pot fi agravate de temperaturile ambientale scăzute sau prin prinderea excesivă a mânerelor. Dacă apar astfel de simptome, durata de utilizare a mașinii trebuie redusă și trebuie consultat un medic.

PERICOLE ZONA DE LUCRU

Inspectați cu atenție întreaga zonă de lucru și utilizați o greblă sau o perie de curte pentru a slăbi manual resturile și pentru a îndepărta orice ar putea fi proiectat de mașină, să fie o sursă periculoasă sau să provoace deteriorarea mașinii în caz de trecere (pietre, crengi, sârmă de fier, oase). etc.). Verificați dacă nu există trecători, animale sau obiecte care ar putea fi deteriorate la cel puțin 15 metri de raza de acțiune a mașinii.

Lucrați numai în timpul zilei sau cu lumină artificială adecvată, în condiții bune de vizibilitate. Încercați să nu provocați nicio perturbare de zgomot, utilizând acest aparat numai la ore rezonabile ale zilei.

Luati o poziție fermă și bine echilibrată. Acolo unde este posibil, evitați lucrul pe teren umed, alunecos sau în orice caz pe teren denivelat sau abrupt care nu garantează stabilitatea operatorului.

Jeturile de înaltă presiune pot fi periculoase. Pentru a reduce riscul de deteriorare sau rănire, nu direcționați spray-ul de apă direct către oameni, animale de companie, bunuri sensibile, echipamente electrice sub tensiune sau mașină în sine.

Jetul de apă care este emis de duza de înaltă presiune are ca rezultat o putere de repulsie care acționează asupra pistolului de pulverizare manual. Asigurați-vă că aveți un picior ferm și că țineți ferm pistolul de pulverizare manual și lancia de pulverizare cu ambele mâini.

PERICOLE RĂMANE

Mașina a fost construită folosind tehnologie modernă și în conformitate cu regulile de siguranță recunoscută. Chiar și atunci când toate măsurile de siguranță sunt în vigoare, unele pericole rămase, care nu sunt încă evidente, pot fi prezente. Operatorul trebuie să folosească bunul simț și să ia măsurile de precauție necesare pentru a evita riscurile din cauza pericolelor rămase.

SPECIFICAȚIILE PRODUSULUI

UTILIZAREA PREVĂZUTĂ

Acest produs a fost conceput și fabricat pentru a fi utilizat pentru curățarea vehiculelor, clădirilor, teraselor, fațadelor și altele, folosind apă curată rece și detergenți chimici biodegradabili.

Orice altă utilizare diferită de cele menționate mai sus poate fi periculoasă, poate dăuna oamenilor și/sau poate deteriora lucrurile și mașina.

AVERTIZARE

Aparatul a fost proiectat pentru a fi utilizat cu agentul de curățare furnizat sau recomandat de producător. Utilizarea altor agenți de curățare sau substanțe chimice poate afecta negativ siguranța aparatului.

AVERTIZARE

Eliberați presiunea reziduală și a pompei înainte de a deconecta furtunul de la produs. Oprți mașina de spălat cu presiune, apoi închideți robinetul de apă și în final apăsați pe trăgaciul pistolului până când apa din pompă este eliberată.

UTILIZARE NEPRODUTĂ

Mașina nu trebuie utilizată pentru manipularea materialelor periculoase, de ex. acumularea de produse inflamabile sau explozive, materiale solide sau orice alt obiect care ar putea fi periculos pentru mașina în sine, precum și pentru operator, trecători, animale sau bunuri.

Exemple de utilizare necorespunzătoare pot include, dar nu se limitează la, operarea mașinii:

- ▶ Fără accesoriile furnizate special de producător pentru utilizări specifice sau utilizarea accesoriilor într-un mod care nu este prevăzut în aceste instrucțiuni;
- ▶ Într-un unghi de operare diferit de nivelul față de sol.
- ▶ Cu modificări neautorizate.
- ▶ De către mai mult de o persoană.

DATE TEHNICE PAGINĂ 79

IDENTIFICARE (FIG. 1-3)

1. Pistolă și lance
2. Furtun
3. Pompa
4. roată
5. Motor
6. Duză
7. Mâner
8. Orificiul de umplere cu ulei al pompei
9. Indicator de nivel de ulei al pompei
10. Orificiul de scurgere a uleiului din pompă
11. Port de intrare a apei
12. Port de evacuare a apei
13. Orificiul de intrare a detergentului
14. Buton de reglare a presiunii
15. Capac rezervor combustibil
16. Rezervor de combustibil
17. Starter cu recul
18. Filtru de aer
19. Bujie
20. Toba de esapament
21. Maneta de sufocare
22. Pârghie de gaz

23. Pârghia supapei de combustibil
24. Comutator ON/OFF
25. Orificiu de umplere cu ulei de motor
26. Indicator de nivel al uleiului de motor
27. Orificiul de golire a uleiului de motor

OPERAȚIUNE

PREOPERARE

Dezambalarea și finalizarea ansamblului trebuie efectuate pe o suprafață plană și stabilă, cu spațiu suficient pentru deplasarea mașinii și a ambalajului acestuia, folosind întotdeauna echipamente adecvate (Fig. 5).

Înainte de a începe lucrul vă rugăm:

1. Verificați dacă toate șuruburile sunt bine fixate.
2. Verificați dacă filtrul de aer este curat.
3. Umpleți motorul cu ulei și combustibil așa cum este indicat mai jos.
4. Umpleți pompa cu ulei așa cum este indicat mai jos.

ALIMENTAREA ȘI LUBRIFICAREA

AVERTIZARE

Nu fumați niciodată în timpul realimentării și păstrați combustibilul departe de orice sursă de foc sau scânteie. Evitați inhalarea fumului de benzină și alimentați întotdeauna în spații exterioare și bine ventilate.

AVERTIZARE

Motorul se livrează fara ulei și combustibil.

Acesta este un motor în 4 timpi, ceea ce înseamnă că benzina trebuie utilizată în rezervorul de combustibil, iar carcasa motorului trebuie umplută cu ulei de motor în 4 timpi.

Specificații combustibil: Benzină fără plumb
 Specificații ulei: Utilizați numai ulei care îndeplinește cerințele clasei de service API SF sau mai mare și conform tabelului aferent (Fig. 12).

Utilizați întotdeauna recipient curat pentru depozitarea combustibilului și nu folosiți combustibilul depozitat mai mult de o lună.

Utilizați o pâlnie pentru a evita vărsarea de combustibil sau ulei. Nu supraîncărcați.

Pentru a umple motorul cu combustibil:

1. Scoateți capacul rezervorului de combustibil.
AVERTIZARE
 Deschideți cu grijă capacul rezervorului, deoarece s-ar fi putut forma presiune în interior.
2. Adăugați combustibil la nivelul superior al combustibilului (Fig. 13.2). Lăsați un spațiu de minim 5 mm între partea superioară a combustibilului și marginea interioară a rezervorului pentru a permite expansiunea.
3. Repoziționați capacul rezervorului de combustibil și strângeți corespunzător.

Pentru a umple motorul cu ulei:

1. Scoateți capacul de umplere a uleiului (Fig. 14.1). Partea de jos a acestuia este indicatorul de nivel al uleiului (joja de ulei).
2. Adăugați suficient ulei pentru a aduce nivelul uleiului între limita superioară (Fig. 14.3) și inferioară (Fig. 14.4) de pe joja de ulei. Măsurarea trebuie făcută cu joja poziționată, dar nu înșurubat, în gâtul de umplere.

3. Repoziționați capacul de ulei și strângeți corespunzător.

AVERTIZARE

Ștergeți orice combustibil și ulei vărsați înainte de a porni motorul.

Pentru a umple pompa cu ulei:

1. Scoateți dopul de transport (Fig. 6.1).
2. Adăugați suficient ulei pentru a aduce nivelul uleiului între limita superioară (Fig. 6.3) și inferioară (Fig. 6.4) de pe indicatorul nivelului de ulei.
3. Poziționați noul dop de ulei (Fig. 6.2) și strângeți corespunzător.

PORNIREA UNITĂȚII

AVERTIZARE

Înainte de a porni motorul, asigurați-vă că atât mașina, cât și dumneavoastră vă aflați pe un teren stabil.

AVERTIZARE

Funcționarea uscată mai mult de 2 minute poate duce la deteriorarea pompei de înaltă presiune. Dacă aparatul nu crește presiune în decurs de 2 minute, opriți-l și contactați distribuitorul din apropiere.

Pentru a porni motorul:

1. Asamblați pistolul și lanca împreună (Fig. 7).
2. Asamblați furtunul de înaltă presiune (Fig. 8.2) pe orificiul de evacuare a apei (Fig. 8.1).
3. Asamblați pistolul și lanca la capătul liber al furtunului.
4. Montați furtunul de alimentare cu apă (Fig. 9.2) pe orificiul de intrare a apei (Fig. 9.1) al pompei, folosind conectori și filtru corespunzători.

AVERTIZARE

Înainte de a conecta furtunul de alimentare cu apă la orificiul de alimentare cu apă, inspectați sita de alimentare cu apă (Fig. 9.3). Curățați ecranul dacă conține resturi și înlocuiți-l dacă este deteriorat. De asemenea, asigurați-vă că furtunul pe care urmează să îl conectați este curat de orice resturi. Utilizați numai apă rece (sub 40 °C) cu un debit de cel puțin 19 L/m și nu mai puțin de 1,3 bari de presiune.

5. Deschideți alimentarea cu apă.
6. Deplasați pârghia supapei de combustibil (Fig. 15.1) în poziția „ON”.
7. Deplasați maneta de șoc (Fig. 16.1) în poziția „Șoc”.

NOTĂ

Acest pas se aplică numai pornirii la rece a motorului. Când motorul este deja cald sau temperatura mediului ambiant este ridicată, maneta de șoc trebuie să fie în poziția „RUN” în orice moment.

8. Mutați comutatorul ON / OFF în poziția „ON” (Fig. 17.1).
9. Prindeți ferm mânerul mașinii cu mâna stângă și mânerul demarorului (Fig. 18.2) al motorului cu mâna dreaptă. Trageți mânerul demarorului până când simțiți rezistență pentru a cupla motorul și apoi trageți ferm pentru a porni motorul.

AVERTIZARE

Pentru a evita ruperea cablului de pornire (Fig. 18.1), nu trageți pe toată lungimea acestuia și nu lăsați-l să alunece de-a lungul marginii orificiului de ghidare a cablului. Eliberați demarorul

treptat, pentru a evita să-l lăsați să zboare înapoi necontrolat.

- Pe măsură ce motorul se încălzește, mutați treptat maneta de șoc în poziția „RUN”, dacă motorul a fost pornit la rece.

NOTĂ

Pentru performanță și fiabilitate maxime, lăsați motorul să se încălzească înainte de a-l utiliza la sarcină maximă, rulându-l timp de două până la trei minute la ralanti.

FUNCȚIONAREA UNITĂȚII

AVERTIZARE

Păstrați o distanță de cel puțin 30 cm între jetul de apă și orice obiecte sensibile sau suprafețe vopsite pentru a evita deteriorarea.

AVERTIZARE

Setați motorul cu strictețe conform puterii reglementate din manualul de utilizare. Nu supraîncărcați, nu supraîncărcați sau nu porniți motorul cu sarcină redusă și cu viteză redusă.

DUZE

Mașina de spălat cu presiune vine cu cinci duze de pulverizare. Fiecare duză are coduri de culoare și oferă un model de pulverizare și o presiune specifice pentru o anumită lucrare de curățare:

- ▶ **Rosu - 0°:** Această duză furnizează un jet de apă sub presiune și este extrem de puternică. Acoperă doar o zonă mică de curățare. Această duză ar trebui să fie îndreptată numai către suprafețe care pot rezista la presiuni mari, cum ar fi betonul sau metalul nevopsit. A nu se folosi la lemn curat.
- ▶ **Galben - 15°:** Această duză oferă un model de pulverizare puternic de 15° pentru curățarea intensă a zonelor mici. Această duză ar trebui să fie îndreptată numai către suprafețe care pot rezista la presiuni mari, cum ar fi betonul sau metalul nevopsit.
- ▶ **Verde - 25°:** Această duză oferă un model de pulverizare de 25° pentru curățarea intensă a suprafețelor mai mari. Această duză ar trebui să fie îndreptată numai către suprafețe care pot rezista la presiuni mari, cum ar fi betonul sau metalul nevopsit.
- ▶ **Alb - 40°:** Această duză oferă un model de pulverizare de 40° și un jet de apă mai puțin puternic. Această duză poate acoperi o suprafață largă și ar trebui utilizată pentru majoritatea lucrărilor de curățare generale.
- ▶ **Negru - Detergent:** Această duză este folosită pentru a aplica soluții chimice speciale și de curățare. Presiunea de ieșire a mașinii ar trebui, de asemenea, scăzută atunci când este utilizată această duză.

UTILIZAREA PRODUSELOR CHIMICE

AVERTIZARE

Utilizați numai detergenți special concepuți pentru mașinile de spălat cu presiune. Detergenții neadecvați pot deteriora pompa.

Pentru a utiliza detergent cu mașina de spălat cu presiune (Fig. 11):

- Atașați furtunul de detergent la orificiul de ad-

misie a detergentului al pompei.

- Puneți celălalt capăt al furtunului de detergent în recipientul pentru detergent.
- Atașați duza de detergent pe lance (Fig. 10).
- Pulverizați detergentul pe o suprafață uscată.
- Lăsați detergentul să acționeze pe suprafață timp de trei până la cinci minute.
- Clătiți detergentul de la suprafață cu apă curată.

AVERTIZARE

După ce ați folosit detergent, este important să curățați mașina de spălat cu presiune cu apă curată. Treceți apă curată prin mașina de spălat cu presiune timp de câteva minute, după ce ați îndepărtat rezervorul de detergent.

OPRIREA UNITĂȚII

AVERTIZARE

Evitați oprirea bruscă a motorului la viteză mare sau sub sarcină mare pentru a evita defecțiunea motorului.

Pentru a opri mașina:

- Mutați comutatorul ON / OFF în poziția „OFF” (Fig. 17.2).
- Deplasați pârghia supapei de combustibil în poziția „OPRIT”.
- Oprii alimentarea cu apă.
- Apăsăți pârghia pistolului până când apa rămasă în pompă, furtunuri și pistol este eliberată.

ÎNȚREȚINERE ȘI CURĂȚARE

AVERTIZARE

Nu efectuați niciodată întreținere sau curățare cu unitatea în funcțiune. Lucrați întotdeauna la o unitate rece. Înainte de a curăța sau de a efectua lucrări de întreținere, deconectați capacul bujiilor și citiți instrucțiunile relevante. Purtați întotdeauna îmbrăcăminte adecvată și mănuși de protecție ori de câte ori aveți mâinile în pericol.

Orice ajustări sau operațiuni de întreținere care nu sunt descrise în acest manual trebuie efectuate de către distribuitorul dumneavoastră sau un centru de service autorizat cu cunoștințele și echipamentele necesare pentru a se asigura că lucrările sunt efectuate corect, menținând nivelul de siguranță inițial al mașinii. Orice operațiuni efectuate în centre neautorizate sau de către persoane necalificate vor invalida total garanția și toate obligațiile și responsabilitățile Producătorului.

Păstrați toate piulițele și șuruburile strânse pentru a vă asigura că mașina este întotdeauna în stare de funcționare sigură. Întreținerea de rutină este esențială pentru siguranță și pentru menținerea unui nivel ridicat de performanță.

AVERTIZARE

Nu utilizați niciodată mașina cu piese uzate sau deteriorate. Piese defecte sau uzate trebuie întotdeauna înlocuite și nu reparate. Folosiți numai piese de schimb originale.

PROGRAM DE INTRETINERE

Elemente		Frecvență					
		Înainte de fiecare utilizare	La fiecare 3 luni sau 50 de ore de funcționare	După prima lună sau 10 ore de funcționare	La fiecare 6 luni sau 100 de ore de funcționare	La fiecare 12 luni sau 200 de ore de funcționare	
Unitate completă	Verifica	✓					
Manere de control	Verifica	✓					
Ulei de motor	Verificare - Reumpleți	✓					
	A înlocui		✓		✓		
Pompa ulei	Verificare - Reumpleți	✓					
	A înlocui		✓		✓		
Filtru de aer	Verificați - Curățați	✓*	✓				
	A înlocui					✓	
Filtru de combustibil	Verificați - Curățați				✓*		
Tubul de combustibil	Verificați - Curățați					✓*	
Cupa de depozit	Verificați - Curățați				✓		
Jocul supra-pelilor	Verificare - Ajustare						✓**
*Aceste articole trebuie înlocuite dacă este necesar.							
**Aceste articole trebuie întreținute și reparate numai de un dealer autorizat, care dispune de unelte adecvate și de competența mecanică necesară.							

ULEI DE MOTOR SI POMPA

AVERTIZARE

Verificarea nivelului și schimbarea uleiului trebuie făcute pe un teren solid și plan. Motorul trebuie oprit tot timpul. Dacă motorul ar fi funcționat, va fi fierbinte și procedura trebuie efectuată cu grijă pentru a evita pericolul de arsuri.

Pentru a verifica nivelul uleiului de motor:

1. Scoateți capacul de umplere cu ulei.
2. Ștergeți joja de ulei.
3. Introduceți joja de ulei în gâtul de umplere cu ulei, fără a o înșuruba.
4. Scoateți joja de ulei și verificați nivelul de ulei afișat pe ea. Dacă este necesar, umpleți cu ulei până la nivelul superior.
5. Puneți joja de ulei în poziție și strângeți corespunzător.

Pentru a schimba uleiul de motor:

NOTĂ

Scurgeți uleiul uzat în timp ce motorul este cald. Uleiul

cald se scurge rapid și complet.

1. Scoateți capacul de umplere a uleiului de la gâtul de umplere a uleiului de motor.
2. Puneți un recipient adecvat (Fig. 19.3) sub orificiul de scurgere a uleiului (Fig. 19.2) pentru a prinde uleiul uzat.
3. Scoateți dopul de golire a uleiului (Fig. 19.4) și șaiba (Fig. 19.5) pentru a permite uleiului să se scurgă complet.
4. Repoziționați dopul de scurgere a uleiului cu șaiba acestuia și strângeți corespunzător.
5. Adăugați treptat suficient ulei pentru a aduce nivelul uleiului la buza gâtului de umplere cu ulei, până la nivelul superior și nu mai jos decât nivelul inferior.
6. Repoziționați capacul de umplere cu ulei și strângeți corespunzător.

NOTĂ

Dacă motorul funcționează frecvent în condiții de praf sau în alte circumstanțe severe, schimbați uleiul de motor la fiecare 10 ore.

Pentru a verifica nivelul uleiului pompei:

1. Scoateți capacul de umplere cu ulei.
2. Verificați nivelul uleiului pe indicatorul de ulei. Dacă este necesar, umpleți cu ulei până la nivelul superior.
3. Puneți capacul de umplere cu ulei în poziție și strângeți corespunzător.

Pentru a schimba uleiul pompei:

1. Scoateți capacul de umplere cu ulei.
2. Puneți un recipient adecvat sub orificiul de scurgere a uleiului pentru a prinde uleiul uzat.
3. Scoateți dopul de scurgere a uleiului și șaiba pentru a permite uleiului să se scurgă complet.
4. Repoziționați dopul de scurgere a uleiului cu șaiba acestuia și strângeți corespunzător.
5. Adăugați treptat suficient ulei pentru a aduce nivelul uleiului la nivelul superior și nu mai jos decât nivelul inferior.
6. Repoziționați capacul de umplere cu ulei și strângeți corespunzător.

AVERTIZARE:

Pornirea motorului sau a pompei va duce la un nivel scăzut al uleiului și va cauza deteriorarea motorului.

NOTĂ

Aruncați uleiul de motor uzat și recipientele într-un mod compatibil cu mediul înconjurător. Vă sugerăm să îl duceți într-un recipient sigilat la centrul local de reciclare sau la stația de service pentru recuperare. Nu-l aruncați la gunoi, nu îl turnați pe pământ și nici nu îl turnați pe un canal de scurgere.

FILTRU DE AER

AVERTIZARE

Operarea motorului fără un filtru de aer sau cu un filtru de aer deteriorat va permite pătrunderea murdăriei în motor, provocând uzura rapidă a motorului. Pentru a verifica, curăța sau schimba filtrul de aer:

1. Scoateți capacul filtrului de aer (Fig. 20.1).
2. Asigurați-vă că elementul filtrului de aer (Fig. 20.2) nu are murdărie și este în stare bună. Dacă este murdar, îndepărtați-l și curățați-l. Pentru a curăța un element de filtru de aer cu spumă, spălați-l cu detergent de casă și apă fierbinte și lăsați-l să se usuce. Apoi înmuiați-l în ulei de

motor curat saturat și stoarceți ușor excesul de ulei. Dacă este necesar, înlocuiți-l cu unul nou. Pentru a curăța un element de filtru de aer din hârtie, curățați murdăria ușoară lipindu-l ușor de câteva ori pe o suprafață tare și înlocuiți-l dacă este prezentă murdărie puternică.

3. Curățați interiorul carcasei filtrului de aer și acoperiți de murdărie cu o cârpă moale. Dacă motorul este echipat cu un filtru de aer tip baie de ulei, înlocuiți uleiul cu ulei de motor nou.
4. Reinstalați elementul filtrului de aer și urmați procedura inversă pentru a pune la loc capacul filtrului de aer.

AVERTIZARE

Nu curățați niciodată filtrul de aer cu detergenți inflamabili sau cu punct de aprindere scăzut pentru a evita riscul de incendiu sau explozie.

NOTĂ

Dacă motorul funcționează frecvent în condiții de praf sau în alte circumstanțe severe, curățați elementul filtrului de aer la fiecare 10 ore. Dacă este necesar, schimbați elementul filtrului de aer la fiecare 25 de ore.

BUGIE

Pentru a întreține bujia (Fig. 21):

1. Scoateți capacul bujiei pentru a accesa bujia.
2. Utilizați un instrument adecvat pentru bujii pentru a scoate cu grijă bujia.
3. Verificați starea bujiei și a electrodului acesteia. Trebuie să fie curat și nu uzat. Verificați dacă distanța bujiilor este între 0,7 și 0,8 mm (Fig. 8). Înlocuiți bujia cu una nouă, dacă este necesar.
4. Introduceți cu grijă bujia în motor cu mâna.
5. Odată filetat, utilizați unealta adecvată pentru bujii pentru a strânge bujia, acordând atenție să nu folosiți o forță excesivă care afectează filetele.
6. Reatașați capacul bujiilor.

AVERTIZARE

Nu permiteți niciodată pătrunderea murdăriei sau a resturilor în alezajul cilindrului. Înainte de a scoate bujia, curățați bine bujia și zona chiulasei.

CUPA DE SEDIMENTE DE COMBUSTIBIL

AVERTIZARE

Mențineți carburatorul de combustibil numai în aer liber și în zone bine ventilate.

Pentru a menține cupa de sedimente de combustibil (Fig. 22):

1. Rotiți supapa de combustibil în poziția „OPRIT”.
2. Scoateți cupa de sedimente de combustibil din carburator cu inelul său de etanșare din cauciuc.
3. Spălați părțile îndepărtate în solvent, uscați-le bine.

AVERTIZARE

Nu curățați niciodată recipientul pentru sedimente de combustibil cu detergenți inflamabili sau cu punct de aprindere scăzut pentru a evita riscul de incendiu sau explozie.

4. Înlocuiți inelul de etanșare de cauciuc cu unul nou, dacă este necesar.
5. Reinstalați inelul de etanșare din cauciuc și cupa de sedimente și fixați-le în poziție.

6. Rotiți supapa de combustibil în poziția „ON” și verificați dacă există scurgeri de combustibil.

FILTRU DE COMBUSTIBIL

Rezervorul de combustibil poate fi echipat cu un filtru, în funcție de modelul motocultorului, situat la capacul rezervorului de combustibil. Filtrul de combustibil poate fi ales și trebuie verificat periodic. Dacă filtrul este murdar, curățați-l și înlocuiți-l cu unul nou atunci când este necesar. În cazul în care interiorul rezervorului de combustibil este murdar, acesta poate fi curățat prin clătirea rezervorului de combustibil cu benzină curată.

CURĂȚARE

Utilizați o perie moale mică pentru a curăța exteriorul unității. Nu folosiți detergenți puternici. Produsele de curățare de uz casnic care conțin uleiuri aromatice precum pinul și lămâia și solvenți precum kerosenul pot deteriora carcasa sau mânerul din plastic. Ștergeți orice umezeală cu o cârpă moale.

DEPOZITARE

AVERTIZARE

Nu depozitați niciodată unitatea cu combustibil în rezervor și lăsați întotdeauna unitatea să se răcească înainte de a o depozita. Depozitați unitatea numai în zone uscate și bine ventilate.

AVERTIZARE

Aparatul și accesoriile care nu sunt complet golite pot fi distruse de îngheț sau mușcături. Pentru a evita deteriorarea:

1. Opriți aparatul.
2. Opriți alimentarea cu apă.
3. Detașați lancia de pulverizare de la pistolul cu declanșare.
4. Apăsați pârghia pistolului de declanșare până când nu mai iese apă.
5. Deconectați aparatul de la sursa de apă.

În cazul în care unitatea va fi depozitată pentru o perioadă lungă de timp, utilizați următoarea procedură de depozitare:

1. Goliți tot combustibilul din rezervor și din carburator.
2. Înlocuiți uleiul de motor cu nou.
3. Scoateți bujia și puneți 30 ml de ulei de motor de înaltă calitate în cilindru. Trageți încet funia de pornire pentru a distribui uleiul. Reinstalați bujia.
4. Curățați temeinic unitatea și verificați dacă există piese slăbite sau deteriorate. Reparați sau înlocuiți piesele deteriorate și strângeți șuruburile, piulițele sau șuruburile slăbite.
5. Lubrifiați toate piesele necesare cu o cârpă umedă cu ulei pentru a evita acumularea de rugină.

PROTECTIA MEDIULUI

Reciclați materiile prime în loc să le aruncați ca deșuri. Mașina, accesoriile și ambalajele trebuie sortate pentru reciclare ecologică. Componentele din plastic sunt etichetate pentru reciclare clasificată.

Aruncați uleiul de motor uzat și recipientele într-un mod compatibil cu mediul înconjurător. Vă sugerăm

să îl duceți într-un recipient sigilat la centrul local de reciclare sau la stația de service pentru recuperare. Nu-l aruncați la gunoi, nu îl turnați pe pământ și nici nu îl turnați pe un canal de scurgere.

GARANȚIE

Acest produs este garantat în conformitate cu regulamentele legale / specificații țării, în vigoare de la data achiziției de către primul utilizator. Daunele cauzate de uzura normală, suprasarcină sau manipulare necorespunzătoare vor fi excluse din garanție. În cazul unei reclamații, vă rugăm să trimiteți mașina, complet asamblată, la distribuitorul dumneavoastră sau la centrul de service oficial.

MAGYAR

ÁLTALÁNOS BIZTONSÁGI FIGYELMEZTETÉSEK

A termék használata előtt olvassa el és értse meg ezt a használati útmutatót. Segíthet megelőzni a baleseteket, ha ismeri terméke kezelőszerveit, és betartja a biztonságos üzemeltetési eljárásokat és a biztonsági jelzéseket. Mindig használja a józan eszét, hogy elkerüljön minden olyan helyzetet, amely meghaladja képességeit. Ne használja, ha fáradt vagy kábítószert, alkoholt vagy bármilyen más gyógyszer hatása alatt áll. Működés közben tartsa távol a szemlélődőket és az állatokat, amelyek megsérülhetnek, valamint azokat a tárgyakat, amelyek megsérülhetnek. Soha ne engedje, hogy gyermekek vagy olyan személyek használják a terméket, akik nem ismerik ezeket az utasításokat. A helyi törvények korlátozhatják az üzemeltető alsó korhatárát. Ne feledje, hogy az üzemeltető vagy a felhasználó felelős a más embereket, állatokat vagy azok tulajdonát érintő balesetekért vagy váratlan eseményekért. Ne tegye ki a terméket túlzott nedvességnek, pornak, szennyeződésnek vagy korrozív gőznek. Ne szereljen a gépre olyan berendezéseket vagy tartozékokat, amelyeket a gyártó nem tervezett vagy nem hagyott jóvá. Soha ne kísérelje meg módosítani a terméket. A nem engedélyezett módosítások vagy tartozékok súlyos személyi sérülést vagy a kezelő vagy mások halálát okozhatják. A jelen kézikönyvben nem szereplő szét szereléssel és szervizeléssel kapcsolatban forduljon hivatalos forgalmazójához. Ha munka közben valami eltörik vagy baleset történik, azonnal kapcsolja ki a gépet és vigye el, hogy elkerülje a további károsodást. Ha idegen test került a gépbe, azonnal állítsa le, ellenőrizze, hogy nem sérült-e, és javítsa meg, mielőtt újraindítaná.

VÉDŐ FELSZERELÉS

Ügyeljen arra, hogy megfelelő és minősített védőfelszerelést használjon az egység működtetése során. Mindig viseljen mozgást nem akadályozó ruházatot, védőkesztyűt, védőszemüveget, félálarcos légzőkészüléket, fülvédőt és csúszásmentes talpú, nyírás gátló biztonsági csizmát. Soha ne viseljen sálát, nyakláncot vagy bármilyen lógó vagy csapkodó kiegészítőt és ruhát, amely beakadhat a gépbe. Kösse fel a haját, ha hosszú.

MÉRGEZÉSI VESZÉLYEK

Csak a szabadban és jól szellőző helyen működtesse. Működés közben a motor mérgező szén-monoxidot, szagtalan és színtelen gázt bocsát ki. A szén-monoxid belélegzése hányingert, ájulást vagy halált okozhat. Ne működtesse a gépet zárt térben, ahol veszélyes szén-monoxid gőzök keletkezhetnek, vagy nyitott ablakok közelében. Az üzemanyag és az olaj rendkívül mérgező. Ne lélegezze be az üzemanyag párolgó gázait, és mindig viseljen megfelelő védőfelszerelést, amikor kezeli őket. Az üzemanyagot és az olajat mindig jóváhagyott tartályokban tárolja, és felelősen ártalmatlanítsa.

TŰZ- ÉS ÉGÉSI VESZÉLYEK

A gép egyes részei eléggé felforrósodnak ahhoz, hogy meggyújtsák a gyúlékony anyagokat. Ne használja magas tűzveszélyes területeken. Ne irányítsa a hangtompítót és így a kipufogógázt gyúlékony anyagok felé.

A gép egyes részei eléggé felforrósodnak ahhoz, hogy égési sérülést okozzanak. Ügyeljen arra, hogy ne érintse meg őket, hogy elkerülje az égési sérülést. Tárolás előtt hagyja kihűlni a gépet.

A benzín és az olaj gyúlékony. Használat előtt kövesse az egyes gyártók utasításait. Az esetleges tűz- vagy szikraforrásokat mindig távol kell tartani. Ne dohányozzon a gép, illetve üzemanyag és olaj közelében. Csak a szabadban tankoljon, jól szellőző helyen, leállított motor mellett. Lassan nyissa ki az üzemanyagtartályt, hogy a belső nyomás fokozatosan csökkenjen. Ne töltse túl az üzemanyagtartályt. Győződjön meg arról, hogy a tartalék bezintartály és az egység között van némi távolság, hogy elkerülje a szükségtelen veszélyeket. A motor beindítása előtt győződjön meg arról, hogy minden kiömlött üzemanyagot és olajat letörölt. Tűz esetén használjon megfelelő tűzoltó készüléket, amelyet kifejezetten olaj- és benzintűzre terveztek.

KATEGÓRIA BIZTONSÁGI FIGYELMEZTÉSEK

BIZTONSÁGOS MŰKÖDÉS

A gép összes működtető karjának könnyen kell mozognia egyik helyzetből a másikba, és nem kell erőltetni. Az elektromos kábeleknek és különösen a gyújtógyertya kábelének kifogástalan állapotban kell lenniük, hogy elkerüljük a szikraképződést, és a gyújtógyertya sapkáját megfelelően fel kell szerelni a gyújtógyertyára. A fogantyúnak és a védőeszközöknek tisztának és száraznak kell lenniük, valamint biztonságosan kell rögzíteni a géphez.

A munka megkezdése előtt mindig ellenőrizze, hogy nincsenek-e olyan tárgyak, amelyek elzárhatják a levegőbemeneti szűrőt. Az eltömődött légbeömlő csökkenti a gép teljesítményét és növeli a motor üzemi hőmérsékletét, ami a motor meghibásodásához vezethet.

Ügyeljen arra, hogy leállítsa a motort:

- ▶ Tartozékok felszerelésekor vagy eltávolítása-kor.
- ▶ Munkaterületek közötti vagy burkolt területek és talajakadályok feletti mozgáskor.
- ▶ Amikor felügyelet nélkül hagyja a gépet.
- ▶ Tankolás közben.
- ▶ Tisztítás vagy karbantartás közben.
- ▶ Szállítás közben.
- ▶ Tárolás előtt.

FIGYELEM

A vonatkozó előírások szerint a készüléket soha nem szabad az ivóvízhálózaton használni rendszerleválasztó nélkül. Győződjön meg arról, hogy az épület vírendszerének csatlakozása, amelyen a nagynyomású tisztító működik, rendszerleválasztóval van felszerelve. A visszafolyásgátlókon átfolyt víz nem iható.

ZAJ ÉS REZGÉSVEZÉLY

Az ebben az útmutatóban feltüntetett zaj- és rezgés-szintek a gép használatának maximális szintjei. A nem megfelelő karbantartás jelentős hatással van a rezgés- és zajkibocsátásra. Következésképpen megelőző lépéseket kell tenni a magas zajszint és a vibrációból eredő terhelés miatti esetleges károk kiküszöbölésére. Gondosan karbantartsa a gépet, viseljen fülvédőt, rezgéscsillapító kesztyűt és tartson szüneteket a munkavégzés során. A gép stabil sebességgel történő működtetése és a fogantyúk megfelelő erővel történő erős megfogása csökkentheti a rezgésszintet. Munkanapokon gyakori és megfelelő szüneteket kell tartania, hogy elkerülje a vibráció okozta károsodást és a fülkárosodást. A hosszan tartó vibrációnak való kitettség sérüléseket és idegrendszeri rendellenességeket okozhat, különösen a keringési zavarokban szenvedőknél. A tünetek a kézre, a csuklóra és az ujjakra vonatkozhatnak, és az érzékenységet elvesztésével, toporzással, viselkedéssel, fájdalommal és a bőr elszíneződésével vagy szerkezeti változásaival nyilvánulnak meg. Ezeket a hatásokat ronthatja az alacsony környezeti hőmérséklet vagy a fogantyúk túlzott megfogása. Ha ilyen tünetek jelentkeznek, csökkenteni kell a gép használati idejét, és orvoshoz kell fordulni.

A MUNKATERÜLET VESZÉLYEI

Alaposan vizsgálja meg az egész munkaterületet, és használjon gereblyét vagy kerti kezét a törmelék kézi fellazításához és minden olyan dolog eltávolításához, amely a gépből kiszóródhat, veszélyes forrás lehet, vagy elgázolás esetén kárt okozhat a gépben (kövek, ágak, vasdrót, csontok). stb.). Ellenőrizze, hogy a gép működési tartományától számított legalább 15 méteren belül nincsenek-e szemlélődők, állatok vagy tárgyak, amelyek megsérülhetnek.

Csak nappali fényben vagy megfelelő mesterséges megvilágítás mellett, jó látási viszonyok között dolgozzon. Törekedjen arra, hogy ne okozzon zajt, csak a nap ésszerű időszakában használja a gépet.

Vegyen fel szilárd és kiegyensúlyozott pozíciót. Lehetőség szerint kerülje a nedves, csúszós talajon végzett munkát, vagy minden esetben egyetlen talaj vagy meredek talajon, amely nem garantálja a stabilitást a kezelő számára.

A nagynyomású fúvókák veszélyesek lehetnek. A károsodás vagy sérülés kockázatának csökkentése érdekében ne irányítsa a vízpermetet közvetlenül emberekre, háziállatokra, érzékeny tárgyakra, feszültség alatt álló elektromos berendezésekre vagy magára a gépre.

A nagynyomású fúvókából kibocsátott vízszög a kézi szórópisztolyra ható tasztító erőt eredményez. Győződjön meg róla, hogy szilárdan áll, és mindkét kezével erősen fogja a kézi szórópisztolyt és a szórófejet.

FENNTARTÓ VESZÉLYEK

A gépet modern technológiával és az elismert biztonsági szabályok betartásával építették. Még akkor is, ha minden biztonsági intézkedés megvan, jelen lehet néhány fennmaradó, még nem nyilvánvaló veszély. A kezelőnek józan eszét kell követnie, és meg kell tennie a szükséges óvintézkedéseket a fennmaradó veszélyek miatti kockázatok elkerülése érdekében.

TERMÉKLEÍRÁS

RENDELTESSZERŰ HASZNÁLAT

Ezt a terméket járművek, épületek, teraszok, homlokzatok és egyéb tisztítására tervezték és gyártották tiszta hideg víz és biológiailag lebomló vegyi tisztítószerek felhasználásával.

A fent említettekől eltérő bármely más használat veszélyes lehet, embereket és/vagy tárgyakat és a gépet károsíthatja.

FIGYELEM

A készüléket a gyártó által szállított vagy ajánlott tisztítószerszerrel való használatra tervezték. Más tisztítószerek vagy vegyszerek használata hátrányosan befolyásolhatja a készülék biztonságát.

FIGYELEM

Engedje le a maradék és a szivattyúnyomást, mielőtt leválasztja a tömlőt a termékről. Kapcsolja ki a nagynyomású mosót, majd zárja el a vízcsapot, és végül nyomja meg a pisztoly ravaszát, amíg a szivattyúból ki nem engedi a vizet.

HELYTELEN HASZNÁLAT

A gépet nem szabad veszélyes anyagok kezelésére használni, pl. gyúlékony vagy robbanásveszélyes termékek, szilárd anyagok vagy bármely más tárgy felhalmozódása, amely veszélyes lehet magára a gépre, valamint a kezelőre, a közelben lévőkre, az állatokra vagy a tulajdonra.

A helytelen használat példái lehetnek, de nem kizárólagosan a gép üzemeltetése:

- ▶ A gyártó által kifejezetten meghatározott célokra szállított tartozékok nélkül, vagy a tartozékokat a jelen útmutatóban nem szereplő módon használták;
- ▶ A talajszinttől eltérő működési szögben.
- ▶ Engedély nélküli módosításokkal.
- ▶ Egyénél több személy által.

MŰSZAKI ADATOK 80. OLDAL

AZONOSÍTÁS (1-3. ÁBRA)

1. Fegyver és lándzsa
2. Tömlő
3. Szivattyú
4. Kerék
5. Motor
6. Szórófej
7. Fogantyú
8. Szivattyú olaj betöltő nyílás
9. Szivattyú olajsint mérő
10. A szivattyú olajleeresztő nyílása
11. Vízbevezető nyílás
12. Vízkimeneti nyílás
13. Deterjент bemeneti nyílás
14. Nyomás beállító gomb
15. Üzemanyag tartály sapka
16. Üzemanyag tartály
17. Visszacsapó indító
18. Légszűrő
19. Gyújtógyertya
20. Hangtompító
21. Fojtó kar
22. Fojtó kar
23. Üzemanyagszelep kar

24. ON/OFF kapcsoló
25. Motorolaj betöltő nyílás
26. Motorolaj szintmérő
27. Motorolaj leeresztő nyílás

MŰVELET

ELŐMŰVELET

A kicsomagolást és az összeszerelést sík és stabil felületen kell végezni, elegendő hely legyen a gép és a csomagolás mozgatásához, mindig megfelelő felszerelést használva (5. ábra).

A munka megkezdése előtt kérjük:

1. Ellenőrizze, hogy minden csavar szorosan meg van-e húzva.
2. Ellenőrizze, hogy a légszűrő tiszta-e.
3. Töltse fel a motort olajjal és üzemanyaggal az alábbiak szerint.
4. Töltse fel a szivattyút olajjal az alábbiak szerint.

TANÍTÁS ÉS KENÉS

FIGYELEM

Soha ne dohányozzon tankolás közben, és tartsa távol az üzemanyagot minden tűz- vagy szikraforrástól. Kerülje a benzingőz belélegzését, és mindig szabadon és jól szellőző helyen tankoljon.

FIGYELEM

A motort olaj és üzemanyag nélkül szállítjuk.

Ez egy 4 ütemű motor, ami azt jelenti, hogy benzint kell használni az üzemanyag tartályban, és a motorházat fel kell tölteni 4 ütemű motorolajjal.

Üzemanyag jellemzők: Ólommentes benzin
Olajspezifikációk: Csak olyan olajat használjon, amely megfelel az API SF vagy magasabb szolgáltatási osztály követelményeinek, és megfelel a vonatkozó táblázatnak (12. ábra).

Az üzemanyag tárolására mindig tiszta edényt használjon, és ne használjon egy hónapnál tovább tárolt üzemanyagot.

Használjon tölcsejt, hogy elkerülje az üzemanyag vagy az olaj kiömlését. Ne töltsé túl.

A motor üzemanyaggal való feltöltése:

1. Távolítsa el az üzemanyag tartály sapkáját.

FIGYELEM

Óvatosan nyissa ki a tartály tetejét, mert nyomás keletkezhet benne.

2. Töltsön üzemanyagot az üzemanyag felső szintjéhez (13.2. ábra). Hagyjon legalább 5 mm helyet az üzemanyag teteje és a tartály belső széle között, hogy lehetővé tegye a tágulást.
3. Helyezze vissza az üzemanyag tartály sapkáját és húzza meg megfelelően.

A motor olajjal való feltöltése:

1. Távolítsa el az olajbetöltő sapkát (14.1. ábra). Az alsó része az olajsint-jelző (olajsintjelző pálcá).
2. Töltsön be annyi olajat, hogy az olajsint az olajsintmérő pálcá felső (14.3. ábra) és alsó (14.4. ábra) határa közé kerüljön. A mérést úgy kell elvégezni, hogy a nívópalcát a betöltő-csonkba kell helyezni, de nincs csavarva.
3. Helyezze vissza az olajsapkát és húzza meg megfelelően.

FIGYELEM

A motor beindítása előtt törölje le a kiömlött üzemanyagot és olajat.

A szivattyú olajjal való feltöltése:

1. Távolítsa el a szállítási dugót (6.1. ábra).
2. Töltsön be annyi olajat, hogy az olajsint az olajsintmérő felső (6.3. ábra) és alsó (6.4. ábra) határértéke közé kerüljön.
3. Helyezze be az új olajcsavart (6.2. ábra), és húzza meg megfelelően.

AZ EGYSÉG INDÍTÁSA**FIGYELEM**

A motor beindítása előtt győződjön meg arról, hogy a gép és Ön is stabil talajon áll.

FIGYELEM

2 percnél hosszabb szárazon futás a nagynyomású szivattyú károsodásához vezethet. Ha a készülékben 2 percen belül nem alakul ki nyomás, kapcsolja ki a készüléket, és forduljon a közeli kereskedőhöz. A motor indításához:

1. Szerelje össze a pisztolyt és a lándzsát (7. ábra).
2. Szerelje fel a nagynyomású tömlőt (8.2. ábra) a vízkimeneti nyílásra (8.1. ábra).
3. Szerelje össze a pisztolyt és a lándzsát a tömlő szabad végéhez.
4. Szerelje fel a vízellátó tömlőt (9.2. ábra) a szivattyú vízbevezető nyílására (9.1. ábra), megfelelő csatlakozókkal és szűrővel.

FIGYELEM

Mielőtt a vízellátó tömlőt a vízbemenethez csatlakoztatná, ellenőrizze a vízbevezető szűrőt (9.3. ábra). Tisztítsa meg a képernyőt, ha szennyeződést tartalmaz, és cserélje ki, ha sérült. Győződjön meg arról is, hogy a csatlakoztatni kívánt tömlő tiszta-e minden törmeléktől. Csak hideg (40 °C-nál kisebb) vizet használjon, amelynek áramlási sebessége legalább 19 L/m és nyomása legalább 1,3 bar.

5. Nyissa ki a vízellátást.
6. Állítsa az üzemanyagszelep kart (15.1. ábra) „BE” állásba.
7. Állítsa a szivató kart (16.1. ábra) „CHOKE” állásba.

JEGYZET

Ez a lépés csak a motor hidegindítására vonatkozik. Amikor a motor már meleg vagy a környezeti hőmérséklet magas, a szivató karnak mindig „RUN” állásban kell lennie.

8. Állítsa a BE/KI kapcsolót „ON” állásba (17.1. ábra).
9. Bal kezével erősen fogja meg a gép fogantyúját, jobb kezével pedig a motor indítómarkolatát (18.2. ábra). Húzza meg az indító markolatát, amíg ellenállást nem érez a motor bekapcsolásához, majd húzza meg határozottan a motor beindításához.

FIGYELEM

Az indítókötel (18.1. ábra) elszakadásának elkerülése érdekében ne húzza meg teljes hosszában, és ne engedje elcsúszni a kábelvezető furat szélén. Fokozatosan engedje el az önindítót, nehogy ellenőrizhetetlenül visszarepüljön.

10. Ahogy a motor felmelegszik, fokozatosan áll-

ítsa a szivató kart „RUN” állásba, ha a motort hidegen indították.

JEGYZET

A maximális teljesítmény és megbízhatóság érdekében hagyja felmelegedni a motort, mielőtt teljes terhelésen működne, és járassa két-három percig alapljáraton.

AZ EGYSÉG MŰKÖDTETÉSE**FIGYELEM**

A sérülések elkerülése érdekében tartson legalább 30 cm távolságot a vízszugár és az érzékeny tárgyak vagy festett felületek között.

FIGYELEM

Szigorúan állítsa be a motort a használati útmutatóban szereplő szabályozott teljesítmény szerint. Ne terhelje túl, ne járassa túl vagy járassa a motort alacsony terheléssel és alacsony fordulatszámra.

FŰVŐKÁK

A nagynyomású mosóhoz öt szórófej tartozik. Minden fűvőka színkóddal van ellátva, és meghatározott szórási mintát és nyomást biztosít az adott tisztítási munkához:

- **Piros - 0°:** Ez a fűvőka pontosan nyomás alatt lévő vizet bocsát ki, és rendkívül erős. A tisztításnak csak egy kis területét fedi le. Ezt a fűvőkát csak olyan felületekre szabad irányítani, amelyek ellenállnak a nagy nyomásnak, például betonra vagy festetlen fémmre. Ne használja tiszta fán.
- **Sárga - 15°:** Ez a fűvőka erőteljes, 15°-os permetezést biztosít a kis területek intenzív tisztításához. Ezt a fűvőkát csak olyan felületekre szabad irányítani, amelyek ellenállnak a nagy nyomásnak, például betonra vagy festetlen fémmre.
- **Zöld - 25°:** Ez a fűvőka 25°-os szórásábrát biztosít nagyobb területek intenzív tisztításához. Ezt a fűvőkát csak olyan felületekre szabad irányítani, amelyek ellenállnak a nagy nyomásnak, például betonra vagy festetlen fémmre.
- **Fehér - 40°:** Ez a fűvőka 40°-os permetezést és kevésbé erős vízáramot biztosít. Ez a fűvőka széles területet képes lefedni, és a legtöbb általános tisztítási munkához kell használni.
- **Fekete - Tisztítószer:** Ez a fűvőka speciális vegyi és tisztító oldatok felvitelére szolgál. A fűvőka használatakor a gép kimeneti nyomását is csökkenteni kell.

VEGYSZEREK HASZNÁLATA**FIGYELEM**

Csak nagynyomású mosógépekhez tervezett mosószer használjon. A nem megfelelő tisztítószerek károsíthatják a szivattyút.

Mosószer használata a nagynyomású mosóval (11. ábra):

1. Csatlakoztassa a tisztítószert-tömlőt a szivattyú mosószer bemeneti nyílásához.
2. Helyezze a mosószer-tömlő másik végét a mosószer-tartályba.
3. Rögzítse a tisztítószert-fűvőkát a lándzsára (10. ábra).
4. Permetezze a mosószer száraz felületre.

- Hagyja a mosószer három-öt percig hatni a felületen.
- Öblítse le a tisztítószert a felületről tiszta vízzel.

FIGYELEM

Mosószer használata után fontos, hogy tiszta vízzel tisztítsa meg a magasnyomású mosót. A mosószer eltávolítása után néhány percig fújjon át tiszta vizet a nagynyomású mosón.

**AZ EGYSÉG LEÁLLÍTÁSA
FIGYELEM**

Kerülje a motor hirtelen leállítását nagy fordulatszámon vagy nagy terhelés alatt, hogy elkerülje a motor meghibásodását.

A gép leállításához:

- Állítsa a BE/KI kapcsolót „OFF” állásba (17.2. ábra).
- Állítsa az üzemanyagszelep kart „OFF” állásba.
- Zárja el a vízellátást.
- Nyomja le a pisztoly kart, amíg a szivattyúban, a tömlőkben és a pisztolyban maradt víz ki nem szabadul.

KARBANTARTÁS ÉS TISZTÍTÁS**FIGYELEM**

Soha ne végezzen karbantartást vagy tisztítást működő egység mellett. Mindig hűvös egységen dolgozzon. Tisztítás vagy karbantartási munkák elvégzése előtt válassza le a gyújtógyertya sapkáját, és olvassa el a vonatkozó utasításokat. Mindig viseljen megfelelő ruházatot és védőkesztyűt, ha kezei veszélyben vannak.

Az ebben a kézikönyvben nem szereplő beállításokat vagy karbantartási műveleteket a márkakereskedőnek vagy egy felhatalmazott szervizközpontnak kell elvégeznie a szükséges ismeretekkel és felszereléssel annak biztosítására, hogy a munka megfelelően, a gép eredeti biztonsági szintjének megőrzése mellett történjen. A nem felhatalmazott központokban vagy szakképzetlen személyek által végzett műveletek teljes mértékben érvénytelenítik a garanciát, valamint a gyártó minden kötelezettségét és felelősségét.

Minden anyát és csavart tartson szorosan, hogy a gép mindig biztonságos üzemállapotban legyen. A rendszeres karbantartás elengedhetetlen a biztonság és a magas teljesítményszint fenntartásához.

FIGYELEM

Soha ne használja a gépet kopott vagy sérült alkatrészekkel. A hibás vagy elhasználódott alkatrészeket mindig ki kell cserélni és nem javítani. Csak eredeti alkatrészeket használjon.

KARBANTARTÁSI ÜTEMTERV

Items	Frequency	Minden használat előtt	Működés után			
			1. hónap vagy 10 óra	3 havonta vagy 50 üzemóránként	6 havonta vagy 100 üzemóránként	12 havonta vagy 200 üzemóránként
Komplett egység	Jelölje be	✓				
Vezérlő fogantyúk	Jelölje be	✓				
E motorolaj	Check-Refill	✓				
	Cserélje ki		✓		✓	
Szivattyú olaj	Check-Refill	✓				
	Cserélje ki		✓		✓	
Légszűrő	Check-Clean	✓*	✓			
	Cserélje ki					✓
Üzemanyagszűrő	Ellenőrzés - Tisztítás				✓*	
Üzemanyagszó	Ellenőrzés - Tisztítás					✓*
Betéti pohár	Ellenőrzés - Tisztítás				✓	
Szelephézag	Check - Állítsa be					✓**

* Ezeket az elemeket szükség esetén ki kell cserélni.
 **Ezeket az elemeket csak olyan hivatalos kereskedő karbantarthatja és javíthatja, aki rendelkezik a megfelelő szerszámokkal és a szükséges mechanikai jártassággal.

**MOTOR ÉS SZIVATTYÚ OLAJ
FIGYELEM**

A szint ellenőrzését és az olajcserét szilárd és vízszintes talajon kell elvégezni. A motort mindig le kell állítani. Ha a motor járt volna, akkor forró lesz, és az eljárást óvatosan kell elvégezni az égési sérülések elkerülése érdekében.

A motorolajszint ellenőrzéséhez:

- Távolítsa el az olajbetöltő sapkát.
- Törölje tisztára az olajpálcát.
- Illessze be az olajpálcát az olajbetöltő nyakba anélkül, hogy csavarná.
- Távolítsa el az olajpálcát, és ellenőrizze a rajta jelzett olajszintet. Ha szükséges, töltsön fel olajat a felső szintig.
- Helyezze a helyére az olajszintmérő pálcát, és húzza meg megfelelően.

A motorolaj cseréje:

JEGYZET

Engedje le a használt olajat, amíg a motor meleg. A

meleg olaj gyorsan és teljesen kiürül.

1. Távolítsa el az olajbetöltő sapkát a motorolaj betöltőnyílásáról.
2. Helyezzen egy megfelelő edényt (19.3. ábra) az olajleeresztő nyílás alá (19.2. ábra), hogy felfogja a használt olajat.
3. Távolítsa el az olajleeresztő csavart (19.4. ábra) és az alátétet (19.5. ábra), hogy az olaj teljesen kifolyjon.
4. Helyezze vissza az olajleeresztő csavart az alátéttel együtt, és húzza meg megfelelően.
5. Fokozatosan adjon hozzá annyi olajat, hogy az olajsztint elérje az olajbetöltőcsomak peremét, egészen a felső szintig, és ne legyen alacsonyabb, mint az alsó szint.
6. Helyezze vissza az olajbetöltő sapkát, és húzza meg megfelelően.

JEGYZET

Ha a motor gyakran működik poros vagy más súlyos körülmények között, 10 óránként cserélje ki a motorolajat.

A szivattyú olajsztinjének ellenőrzéséhez:

1. Távolítsa el az olajbetöltő sapkát.
2. Ellenőrizze az olajsztint az olajsztinmérőn. Ha szükséges, töltsön fel olajat a felső szintig.
3. Helyezze a helyére az olajbetöltő sapkát, és húzza meg megfelelően.

A szivattyú olajának cseréje:

1. Távolítsa el az olajbetöltő sapkát.
2. Helyezzen egy megfelelő edényt az olajleeresztő nyílás alá, hogy felfogja a használt olajat.
3. Távolítsa el az olajleeresztő csavart és az alátétet, hogy az olaj teljesen kifolyjon.
4. Helyezze vissza az olajleeresztő csavart az alátéttel együtt, és húzza meg megfelelően.
5. Fokozatosan adjon hozzá annyi olajat, hogy az olajsztint a felső szintre emelkedjen, és ne legyen alacsonyabb az alsó szintnél.
6. Helyezze vissza az olajbetöltő sapkát, és húzza meg megfelelően.

FIGYELEM:

Ha a motort vagy a szivattyút járattja, az alacsony olajsztint a motor károsodását okozza.

JEGYZET

A használt motorolajat és a tartályokat a környezetet kompatibilis módon ártalmatlanítsa. Javasoljuk, hogy zárt edényben vigye vissza a helyi újrahasznosító központba vagy szervizbe. Ne dobja a szemetesbe, ne öntse a földre, és ne öntse le a lefolyóba.

LÉGSZŰRŐ

FIGYELEM

Ha a motort légszűrő nélkül vagy sérült légszűrővel üzemelteti, szennyeződés kerülhet a motorba, ami gyors motorkopást okoz.

A légszűrő ellenőrzéséhez, tisztításához vagy cseréjéhez:

1. Távolítsa el a légszűrő fedelét (20.1. ábra).
2. Győződjön meg arról, hogy a légszűrő elem (20.2. ábra) szennyeződésmentes és jó állapotban van. Ha szennyezett, távolítsa el és tisztítsa meg. A használt levegőszűrő elem tisztításához mossa ki otthoni mosogatószerrel és forró vízzel, majd hagyja megszáradni. Ezután áztassa be tiszta, telített motorolajba, és óvatosan

nyomja ki a felesleges olajat. Ha szükséges, cserélje ki egy újra. A papír levegőszűrő elem tisztításához tisztítsa meg az enyhe szennyeződést úgy, hogy néhányszor óvatosan ragassza le egy kemény felületre, és cserélje ki, ha erős szennyeződés van jelen.

3. Tisztítsa meg a levegőszűrő házának belsejét, és fedje le a szennyeződéstől egy puha ruhával. Ha a motor olajfűrdő típusú légszűrővel van felszerelve, cserélje ki az olajat új motorolajra.
4. Helyezze vissza a levegőszűrő elemet, és a fordított eljárás szerint tegye vissza a levegőszűrő fedelét.

FIGYELEM

Soha ne tisztítsa a légszűrőt gyúlékony vagy alacsony lobbánypontú tisztítószerrel, hogy elkerülje a tűz- vagy robbanásveszélyt.

JEGYZET

Ha a motor gyakran működik poros vagy más súlyos körülmények között, 10 óránként tisztítsa meg a levegőszűrő elemet. Szükség esetén cserélje ki a légszűrő elemet 25 óránként.

GYŰJTŐGYERTYA

A gyújtógyertya karbantartásához (21. ábra):

1. Távolítsa el a gyújtógyertya sapkáját, hogy hozzáférjen a gyújtógyertyához.
2. Használjon megfelelő gyújtógyertya-szerszámot a gyújtógyertya óvatos eltávolításához.
3. Ellenőrizze a gyújtógyertya és az elektródája állapotát. Tisztának és nem kopottnak kell lennie. Ellenőrizze, hogy a gyújtógyertya távolsága 0,7 és 0,8 mm között van-e (8. ábra). Cserélje ki a gyújtógyertyát egy újra, ha szükséges.
4. Kézrel óvatosan csavarja be a gyújtógyertyát a motorba.
5. A menet után a megfelelő gyújtógyertya-szerszámmal húzza meg a gyújtógyertyát, ügyelve arra, hogy ne használjon túlzott erőt a menetek károsodásához.
6. Helyezze vissza a gyújtógyertya sapkáját.

FIGYELEM

Soha ne engedje, hogy szennyeződés vagy törmelék kerüljön a henger furatába. A gyújtógyertya eltávolítása előtt alaposan tisztítsa meg a gyújtógyertyát és a hengerfej területét.

ÜZEMANYAG ÜZEMELŐCSÉSZE

FIGYELEM

Az üzemanyag-karburátort csak szabadban és jól szellőző helyen tartsa karban.

Az üzemanyag ülepítő edény karbantartásához (22. ábra):

1. Fordítsa az üzemanyagszelepet „OFF” állásba.
2. Távolítsa el a karburátor tüzelőanyag üledék-poharát a gumi tömítőgyűrűvel.
3. Mossa le az eltávolított részeket oldószerben, szárítsa meg alaposan.

FIGYELEM

Soha ne tisztítsa a tüzelőanyag ülepítőpoharat gyúlékony vagy alacsony lobbánypontú tisztítószerrel, hogy elkerülje a tűz- vagy robbanásveszélyt.

4. Cserélje ki a gumi tömítőgyűrűt egy újra, ha szükséges.
5. Helyezze vissza a gumi tömítőgyűrűt és az üle-

- pítópoharat, és rögzítse a helyére.
6. Fordítsa az üzemanyagszelepet „BE” állásba, és ellenőrizze, hogy nem szívárog-e üzemanyag.

ÜZEMANYAGSZŰRŐ

Az üzemanyagtartály a kormányrúd típusától függően szűrővel is felszerelhető, amely a tanksapkánál található. Az üzemanyagszűrő kivehető, és rendszeresen ellenőrizni kell. Ha a szűrő szennyezett, tisztítsa meg, és szükség esetén cserélje ki egy újra. Ha az üzemanyagtartály belseje szennyezett, akkor az üzemanyagtartály tiszta benzinnel történő öblítésével tisztítható.

TISZTÍTÁS

Használjon kis puha kefét a készülék külsejének tisztításához. Ne használjon erős tisztítószereket. Az aromás olajokat, például fenyő- és citromolajat és oldószereket, például kerozint tartalmazó háztartási tisztítószerek károsíthatják a műanyag házat vagy a fogantyút. Puha ruhával törölje le a nedvességet.

TÁROLÁS FIGYELEM

Soha ne tárolja az egységet üzemanyaggal a tartályban, és mindig hagyja lehűlni, mielőtt elrakná. A készüléket csak száraz és jól szellőző helyen tárolja.

FIGYELEM

A nem teljesen víztelenített készüléket és tartozékokat fagy vagy penész tönkretelheti. A sérülések elkerülése érdekében:

1. Kapcsolja ki a készüléket.
2. Zárja el a vízellátást.
3. Távolítsa el a szórópisztolyt a szórópisztolyról.
4. Nyomja meg a pisztoly karját, amíg már nem folyik ki víz.
5. Válassza le a készüléket a vízhálózatról.

Ha a készüléket hosszabb ideig tárolja, kövesse az alábbi tárolási eljárást:

1. Engedje le az összes üzemanyagot az üzemanyagtartályból és a karburátorból.
2. Cserélje ki a motorolajat újra.
3. Távolítsa el a gyújtógyertyát, és öntsön 30 ml kiváló minőségű motorolajat a hengerbe. Az olaj elosztásához lassan húzza meg az indítókötelet. Helyezze vissza a gyújtógyertyát.
4. Alaposan tisztítsa meg az egységet, és ellenőrizze, hogy nincsenek-e laza vagy sérült részek. Javítsa meg vagy cserélje ki a sérült alkatrészeket, és húzza meg a meglazult csavarokat, anyákat vagy csavarokat.
5. Kenje meg az összes szükséges alkatrészt olajos nedves ruhával, hogy elkerülje a rozstda felhalmozódását.

KÖRNYEZETVÉDELEM

Hasznosítsa újra a nyersanyagokat ahelyett, hogy hulladékként dobná el. A gépet, a tartozékokat és a csomagolást szét kell válogatni a környezetbarát újrahasznosítás érdekében. A műanyag alkatrészek kategorizált újrahasznosítás céljából vannak felcímkézve.

A használt motorolajat és a tartályokat a környezettel kompatibilis módon ártalmatlanítsa. Javasoljuk, hogy zárt edényben vigye vissza a helyi újrahasznosító központba vagy szervizbe. Ne dobja a szemetesbe, ne öntse a földre, és ne öntse le a lefolyóba.

GARANCIA

Erre a termékre a törvényi/országspecifikus előírásoknak megfelelő garanciát vállalunk, amely az első felhasználó általi vásárlás napjától érvényes. A normál kopásból, túlterhelésből vagy szakszerűtlen kezelésből eredő károk nem tartoznak a garancia hatálya alá. Reklamáció esetén kérjük, küldje el a gépet teljesen összeszerelve a kereskedőhöz vagy a hivatalos szervizközponthoz.

LIETUVIŲ K.

BENDRIEJI SAUGOS ĮSPĖJIMAI

Prieš naudodami šį gaminį perskaitykite ir supraskite šį savininko vadovą. Galite padėti išvengti nelaimingų atsitikimų susipažinę su savo gaminio valdikiiais ir laikydamiesi saugaus naudojimo procedūrų bei saugos ženklų. Visada vadovaukitės sveiku protu, kad išvengtumėte visų situacijų, kurios viršija jūsų galimybes. Nenaudokite, kai esate pavargę arba apsvaigę nuo narkotikų, alkoholio ar kitų vaistų. Darbo metu pašalinus asmenis ir gyvūnus, kurie gali būti sužaloti, taip pat daiktus, kurie gali būti sugadinti, laikykite atokiau. Niekada neleiskite vaikams ar žmonėms, kurie nėra susipažinę su šiomis instrukcijomis, naudoti gaminį. Vietiniai įstatymai gali apriboti minimalų operatoriaus amžių. Turėkite omenyje, kad operatorius arba naudotojas yra atsakingas už nelaimingus atsitikimus ar netikėtus įvykius, įvykius kitiems žmonėms, gyvūnams ar jų turtui. Saugokite gaminį nuo per didelės drėgmės, dulkių, purvo ar korozinių garų. Ant mašinos nemontuokite įrangos ar priedų, kurių nenumatė arba nepatvirtino gamintojas. Niekada nebandykite modifikuoti gaminio. Neleistini pakeitimai ar priedai gali sukelti rimtų kūno sužalojimų arba operatoriaus ar kitų asmenų mirtį. Kreipkitės į savo įgaliotąjį platintoją dėl išmontavimo ir techninės priežiūros, kurių šiame vadove neaprašyta. Jei kas nors sulūžytų arba įvyktų nelaimingas atsitikimas dirbant, nedelsdami išjunkite mašiną ir nuneškite ją, kad išvengtumėte tolesnių pažeidimų. Jei į mašiną pateko svetimkūnis, nedelsdami ją sustabdykite, patikrinkite, ar nepažeista, ir prieš vėl paleisdami pataisykite.

APSAUGINĖ ĮRANGA

Naudodami įrenginį įsitinkinkite, kad naudojate tinkamas ir sertifikuotas apsaugos priemones. Visada dėvėkite judesių netrukdančius drabužius, apsaugines pirštines, akinius, puskaukę respiratorių, ausų apsaugą ir apsauginius batus nuo kirpimo neslystančiais padais. Niekada nedėvėkite šalikų, vėriniių, kabančių ar besiplečiančių priedų ir drabužių, kurie gali įstrigti mašinoje. Suriškite plaukus, jei jie ilgi.

NUODIJIMŲ PAVOJUS

Dirbkite tik lauke ir gerai vėdinamose patalpose. Veikdamas variklis išskiria nuodingą anglies monoksidą – bekvapias ir bespalves dujas. Įkvėpus anglies monoksido gali atsirasti pykinimas, alpimas arba mirtis. Nenaudokite mašinos uždaroje erdvėje, kur gali susidaryti pavojingi anglies monoksido garai, arba šalia atvirų langų. Degalai ir alyva yra labai toksiški. Neįkvėpkite kuro garuojančių dujų ir dirbdami su jomis visada dėvėkite atitinkamas apsaugines priemones. Kurą ir alyvą visada laikykite patvirtintose talpyklose ir atsakingai išmeskite.

GAISRO IR NUDEGIMO PAVOJUS

Kai kurios mašinos dalys pakankamai įkaista, kad užsidegtų degios medžiagos. Nenaudokite vietose, kuriose yra didelis gaisro pavojus. Nenukreipkite dulintuvo, taigi ir išmetamųjų dujų į degias medžiagas.

Kai kurios mašinos dalys pakankamai įkaista, kad sukeltų nudegimų. Nelieskite jų, kad nesusidėgintumėte. Prieš padėdami į vietą, leiskite mašinai atvėsti. Benzinas ir alyva yra degūs. Prieš naudodami vadovaukitės kiekvieno gamintojo pateiktomis instrukcijomis. Galimi ugnies ar kibirkšties šaltiniai visada turi būti atokiau. Nerūkykite šalia mašinos, kuro ir alyvos. Degalų pildymas tik lauke, gerai vėdinamoje vietoje, išjungus variklį. Lėtai atidarykite degalų baką, kad slėgis viduje palaipsniui mažėtų. Neperpildykite degalų bako. Įsitinkinkite, kad tarp bet kurio atsarginio benzino bako ir įrenginio yra tam tikras atstumas, kad išvengtumėte nereikalingo pavojaus. Prieš užvesdami variklį įsitinkinkite, kad visi išsilieję degalai ir alyva buvo nuvalyti. Kilus gaisrui, naudokite tinkamą gesintuvą, specialiai sukurtą naftos ir benzino gaisrui.

KATEGORIJS SAUGOS ĮSPĖJIMAI

SAUGI EKSPLOATACIJA

Visos mašinos valdymo svirtys turi lengvai judėti iš vienos padėties į kitą ir nereikės veržti. Elektros laidai, ypač uždegimo žvakės laidas, turi būti nepriklaistingos būklės, kad nesusidarytų kibirkštys, o uždegimo žvakės dangtelis turi būti tinkamai uždėtas ant uždegimo žvakės. Rankenos ir apsaugos įtaisai turi būti švarūs ir sausi, taip pat patikimai pritvirtinti prie mašinos.

Prieš pradėdami dirbti, visada patikrinkite, ar nėra objektų, kurie gali užblokuoti oro įleidimo ekraną. Užsikimšusi oro įsiurbimo anga sumažina mašinos našumą ir padidina variklio darbinę temperatūrą, o tai gali sukelti variklio gedimą.

Įsitinkinkite, kad išjungėte variklį:

- ▶ Montuojant arba nuimant priedus.
- ▶ Judant tarp darbo zonų arba virš asfaltuotų zonų ir žemės kliūčių.
- ▶ Kai paliekate mašiną be priežiūros.
- ▶ Degalų papildymo metu.
- ▶ Valymo ar priežiūros metu.
- ▶ Transportavimo metu.
- ▶ Prieš sandėliavimą.

ĮSPĖJIMAS

Pagal galiojančias taisykles, prietaisą niekada negalima naudoti ant geriamojo vandens tinklo be sistemos separatoriaus. Įsitinkinkite, kad jūsų pastato vandens instaliacijos jungtyje, kurioje veikia aukšto slėgio ploviklis, yra sistemos separatorius. Vanduo, pratekęs per atgalinio srauto blokatorius, laikomas netinkamu gerti.

TRIUŠMO IR VIBRACIJA PAVOJUS

Šioje instrukcijoje nurodyti triukšmo ir vibracijos lygiai yra didžiausi mašinos naudojimo lygiai. Nepakankama priežiūra turi didelę įtaką vibracijos ir triukšmo emisijai. Vadinasi, būtina imtis prevencinių priemonių, kad būtų pašalinta galima žala dėl didelio triukšmo ir vibracijos įtempimo. Gerai prižiūrėkite mašiną, mūvėkite ausų apsaugos priemones, antivibracines pirštines ir dirbdami darykite pertraukas. Naudojant mašiną stabiliu greičiu ir tinkama jėga tvirtai suėmus už rankenų, gali sumažėti vibracijos lygis. Darbo dienos metu darykite dažnas ir pakankamas pertraukas, kad išvengtumėte vibracijos ir ausų pažeidimų. Ilga-

laikis vibracijos poveikis gali sukelti traumų ir neurovaskulinių sutrikimų, ypač žmonėms, kenčiantiems nuo kraujotakos sutrikimų. Simptomai gali būti susiję su plaštakos, riešais ir pirštais, pasireiškiantys dėl jautrumo praradimo, niežėjimo, skausmo ir spalvos arba struktūrinio odos pokyčių. Šį poveikį gali sustiprinti žema aplinkos temperatūra arba per didelis rankenų suėmimas. Jei atsiranda tokių simptomų, reikia sutrumpinti mašinos naudojimo laiką ir kreiptis į gydytoją.

PAVOJAI DARBO ZONOJE

Kruopščiai apžiūrėkite visą darbo vietą ir naudokite grėblį arba kiemo šepetį, kad rankiniu būdu atlaisvintumėte šiukšles ir pašalintumėte viską, kas gali būti išsklidusi iš mašinos, būti pavojingu šaltiniu arba sugadinti mašiną, jei pervažiuota (akmenys, šakos, geležinė viela, kaulai). ir tt). Patikrinkite, ar bent 15 metrų atstumu nuo mašinos veikimo diapazono nėra pašalinių asmenų, gyvūnų ar daiktų, kurie galėtų būti pažeisti.

Dirbkite tik dienos šviesoje arba esant tinkamam dirbtiniam apšvietimui, esant geram matomumui. Stenkitės nekelti triukšmo, naudodami šį įrenginį tik tinkamu paros metu.

Užimkite tvirtą ir gerai subalansuotą poziciją. Jei įmanoma, nedirbkite ant šlapios, slidžios žemės arba bet kokių atveju nelygioje ar stačioje vietoje, kuri negarantuoja operatoriui stabilumo.

Aukšto slėgio purkštukai gali būti pavojingi. Kad sumažintumėte žalos ar sužalojimo riziką, nenukreipkite vandens pusrūlių tiesiai į žmones, naminius gyvūnus, jautrią turą, įtampą turinčią elektros įrangą ar pačią mašiną.

Iš aukšto slėgio purkštuko skleidžiama vandens čirukšlė sukelia atstūmimo galią, veikiančią rankinį purškimo pistoletą. Įsitikinkite, kad stovite tvirtai ir abiem rankomis tvirtai laikote rankinį purškimo pistoletą bei purškimo antgalį.

LIKUSI PAVOJAI

Mašina buvo pagaminta naudojant šiuolaikines technologijas ir laikantis pripažintų saugos taisyklių. Net ir įgyvendinus visas saugos priemones, gali kilti tam tikrų pavojų, kurie dar nėra akivaizdūs. Operatorius turi vadovautis sveiku protu ir imtis būtinų atsargumo priemonių, kad išvengtų rizikos dėl likusių pavojų.

PRODUKTO SPECIFIKACIJOS

PASKIRTIS

Šis gaminys buvo sukurtas ir pagamintas taip, kad būtų galima valyti transporto priemones, pastatus, terasas, fasadus ir kt., naudojant švarų šaltą vandenį ir biologiškai skaidomus cheminius ploviklius.

Bet koks kitas naudojimas, kuris skiriasi nuo pirmiau minėtų, gali būti pavojingas, pakenkti žmonėms ir (arba) sugadinti daiktus ir mašiną.

ISPĖJIMAS

Prietaisai sukurtas naudoti su gamintojo pateikta arba rekomenduota valymo priemone. Kitų valymo priemonių ar cheminių medžiagų naudojimas gali neigiamai paveikti prietaiso saugumą.

ISPĖJIMAS

Prieš atjungdami žarną nuo gaminio, išleiskite liku-

tinį ir siurblio slėgį. Išjunkite aukšto slėgio plovimo įrenginį, tada užsukite vandens čiaupą ir galiausiai paspauskite pistoleto gaiduką, kol išsileis vanduo iš siurblio.

NETINKAMAS NAUDOJIMAS

Mašina negali būti naudojama tvarkyti pavojingas medžiagas, pvz. degių ar sprogusių produktų, kietų medžiagų ar kitų objektų, kurie gali būti pavojingi pačiai mašinai, operatoriui, pašaliniams asmenims, gyvūnams ar turtui, susikaupimas.

Netinkamo naudojimo pavyzdžiais gali būti, bet tuo neapsiribojant, mašinos valdymas:

- Be priedų, kuriuos gamintojas specialiai tiekia konkreitiems tikslams, arba naudojant priedus taip, kaip nenumatyta šioje instrukcijoje;
- Veikimo kampu, kuris skiriasi nuo žemės lygio.
- Su neleistiniais pakeitimais.
- Daugiau nei vieno asmens.

TECHNINIAI DUOMENYS 81 PSL

IDENTIFIKACIJA (1-3 PAV.)

1. Pistoletas ir pistoletas
2. Žarna
3. Siurblys
4. Ratas
5. Variklis
6. Purkštukas
7. Rankena
8. Siurblio alyvos pildymo anga
9. Siurblio alyvos lygio matuoklis
10. Siurblio alyvos išleidimo anga
11. Vandens įleidimo anga
12. Vandens išleidimo anga
13. Deterjent įleidimo anga
14. Slėgio reguliavimo rankenėlė
15. Kuro bako dangtelis
16. Kuro bakas
17. Atatrankos starteris
18. Oro filtras
19. Uždegimo žvakė
20. Duslintuvas
21. Droselio svirtis
22. Džiovintuvo svirtis
23. Kuro vožtuvo svirtis
24. ON/OFF jungiklis
25. Variklio alyvos pildymo anga
26. Variklio alyvos lygio matuoklis
27. Variklio alyvos išleidimo anga

OPERACIJA

PARUOŠIMAS

Išpakavimas ir surinkimas turi būti atliekamas ant lygaus ir stabilaus paviršiaus, turint pakankamai vietos mašinai ir jos pakuotėms perkelti, visada naudojant tinkamą įrangą (5 pav.).

Prieš pradėdami dirbti prašome:

1. Patikrinkite, ar visi varžtai yra tvirtai pritvirtinti.
2. Patikrinkite, ar oro filtras yra švarus.
3. Užpildykite variklį alyva ir degalais, kaip nurodyta toliau.
4. Užpildykite siurblių alyva, kaip nurodyta toliau.

DEGALŲ PILDYMAS IR TEPIMAS

ĮSPĖJIMAS

Niekada nerūkykite pildydami degalus ir laikykite degalus nuo visų ugnies ar kibirkščių šaltinių. Venkite įkvėpti benzino garų ir visada pildykite degalus lauke ir gerai vėdinamose vietose.

ĮSPĖJIMAS

Variklis pristatomas be alyvos ir degalų. Tai yra 4 taktų variklis, tai reiškia, kad degalų bako turi būti naudojamas benzinas, o variklio korpusas turi būti užpildytas 4 taktų variklio alyva.

Kuro specifikacijos: Bešvinis benzinas
Alyvos specifikacijos: Naudokite tik SF arba aukštesnės API aptarnavimo klasės reikalavimus atitinkančią alyvą pagal atitinkamą lentelę (12 pav.).

Degalams laikyti visada naudokite švarų indą ir ne naudokite kuro, laikomo ilgiau nei mėnesį.

Norėdami išvengti degalų ar alyvos išsiliejimo, naudokite piltuvą. Neperpildykite.

Norėdami užpildyti variklį degalų:

1. Nuimkite degalų bako dangtelį.

ĮSPĖJIMAS

Atsargiai atidarykite bako dangtelį, nes viduje galėjo susidaryti slėgis.

2. Įpilkite kuro iki viršutinio kuro lygio (13.2 pav.). Palikite mažiausiai 5 mm tarpą tarp degalų viršaus ir bako vidinio krašto, kad galėtų išsiplėsti.
3. Vėl uždėkite degalų bako dangtelį ir tinkamai priveržkite.

Norėdami užpildyti variklį alyva:

1. Nuimkite alyvos pildymo angos dangtelį (14.1 pav.). Apatinė jo dalis yra alyvos lygio indikatorius (alyvos matuoklis).
2. Įpilkite tiek alyvos, kad alyvos lygis būtų tarp viršutinės (14.3 pav.) ir apatinės (14.4 pav.) ribos ant alyvos lygio matuoklio. Matavimai turi būti atliekami įkišant matuoklį į užpildymo kakelį, bet nepriusukant.
3. Vėl uždėkite alyvos dangtelį ir tinkamai priveržkite.

ĮSPĖJIMAS

Prieš užvesdami variklį, nuvalykite išsiliejusius degalus ir alyvą.

Norėdami užpildyti siurbį alyva:

1. Nuimkite transportavimo kamštį (6.1 pav.).
2. Įpilkite tiek alyvos, kad alyvos lygis būtų tarp viršutinės (6.3 pav.) ir apatinės (6.4 pav.) ribos ant alyvos lygio matuoklio.
3. Uždėkite naują alyvos kaištį (6.2 pav.) ir tinkamai priveržkite.

ĮRENGINIO PALEIDIMAS

ĮSPĖJIMAS

Prieš užvesdami variklį įsitikinkite, kad ir mašina, ir jūs esate ant stabilios žemės.

ĮSPĖJIMAS

Sausas veikimas ilgiau nei 2 minutes gali sugadinti aukšto slėgio siurbį. Jei per 2 minutes prietaisas nepadidėja slėgio, išjunkite prietaisą ir susisiekite su artimiausiu pardavėju.

Norėdami užvesti variklį:

1. Surinkite ginklą ir pistoletą kartu (7 pav.).
2. Sumontuokite aukšto slėgio žarną (8.2 pav.) ant vandens išleidimo angos (8.1 pav.).
3. Sumontuokite pistoletą ir pistoletą prie laisvo

žarnos galo.

4. Vandens tiekimo žarną (9.2 pav.) sumontuokite ant siurblio vandens įleidimo angos (9.1 pav.), naudodami atitinkamas jungtis ir filtrą.

ĮSPĖJIMAS

Prieš prijungdami vandens tiekimo žarną prie vandens įleidimo angos, patikrinkite vandens įleidimo ekraną (9.3 pav.). Nuvalykite ekraną, jei jame yra šiukšlių, ir pakeiskite, jei jis pažeistas. Be to, įsitikinkite, kad žarna, kurią ketinate prijungti, yra švari nuo šiukšlių. Naudokite tik šaltą vandenį (mažiau nei 40 °C), kurio srautas ne mažesnis kaip 19 L/m ir ne mažesnis kaip 1,3 baro slėgio.

5. Atidarykite vandens tiekimą.

6. Perkelkite kuro vožtuvo svirtį (15.1 pav.) į padėtį „ON“.

7. Perkelkite droselio svirtį (16.1 pav.) į padėtį „CHOKE“.

PASTABA

Šis veiksmas taikomas tik šaltam variklio užvedimui. Kai variklis jau įšilęs arba aplinkos temperatūra aukšta, droselio svirtis visada turi būti padėtyje „RUN“.

8. Įjungimo / išjungimo jungiklį nustatykite į padėtį „ON“ (17.1 pav.).

9. Kaire ranka tvirtai suimkite už mašinos rankenos, o dešine – už variklio starterio rankenos (18.2 pav.). Traukite starterio rankeną, kol pajusite pasipriešinimą, kad įjungtumėte variklį, tada tvirtai traukite, kad užvestumėte variklį.

ĮSPĖJIMAS

Kad nenutrūktų starterio virvė (18.1 pav.), ne traukite jos per visą ilgį ir neleiskite slysti kabelio kreipiklio angos kraštu. Palaipsniui atleiskite starterį, kad neleistumėte jam nevaldomai skristi atgal.

10. Kai variklis įšyla, palaipsniui perkelkite droselio svirtį į „RUN“ padėtį, jei variklis buvo užvestas šaltai.

PASTABA

Norėdami užtikrinti maksimalų našumą ir patikimumą, leiskite varikliui sušilti prieš pradėdami dirbti visa apkrova ir 2–3 minutes paleiskite jį tuščiąja eiga.

ĮRENGINIO VALDYMAS

ĮSPĖJIMAS

Laikykite bent 30 cm atstumą tarp vandens srovės ir bet kokių jautrių objektų ar daiktų paviršių, kad nepažeistumėte.

ĮSPĖJIMAS

Griežtai nustatykite variklį pagal reguliuojamą galią pagal savininko vadovą. Neperkraukite, nepervažiukite ir neužveskite variklio maža apkrova ir mažu greičiu.

ANTGALAI

Slėginis ploviklis yra su penkiais purškimo antgaliais. Kiekvienas antgalis yra pažymėtas spalvomis ir suteikia tam tikrą purškimo modelį bei slėgį tam tikram valymo darbui:

- Raudona – 0°: šis antgalis tiekia tikslią suslėgto vandens srovę ir yra ypač galingas. Jis apima tik nedidelį valymo plotą. Šis antgalis turi būti nukreiptas tik į paviršius, kurie gali atlaikyti didelį slėgį, pavyzdžiui, betoną arba nedažytą metalą.

Nenaudoti ant švarios medienos.

- ▶ Geltona – 15°: Šis antgalis užtikrina galingą 15° purškimo modelį intensyviam mažų plotų valymui. Šis antgalis turi būti nukreiptas tik į paviršius, kurie gali atlaikyti didelį slėgį, pavyzdžiui, betoną arba nedažytą metalą.
- ▶ Žalia – 25°: Šis antgalis užtikrina 25° purškimo raštą intensyviu didesnių plotų valymui. Šis antgalis turi būti nukreiptas tik į paviršius, kurie gali atlaikyti didelį slėgį, pavyzdžiui, betoną arba nedažytą metalą.
- ▶ Balta – 40°: Šis antgalis išpurškia 40° ir ne tokią galingą vandens srovę. Šis antgalis gali apimti didelį plotą ir turėtų būti naudojamas daugeliui bendrųjų valymo darbų.
- ▶ Juoda – ploviklis: šis antgalis naudojamas specialių cheminių ir valymo tirpalų tepimui. Naudojant šį antgalį, mašinos išėjimo slėgis taip pat turėtų būti sumažintas.

NAUDOJANT CHEMIKALUS

ISPĖJIMAS

Naudokite tik ploviklius, specialiai sukurtus aukšto slėgio plovimo mašinoms. Netinkami plovikliai gali sugadinti siurbį.

Norėdami naudoti ploviklį su aukšto slėgio plovimo mašina (11 pav.):

1. Pritvirtinkite ploviklio žarną prie siurblio ploviklio įleidimo angos.
2. Kitą ploviklio žarnos galą įkiškite į ploviklio talpyklą.
3. Pritvirtinkite ploviklio antgalį ant antgalio (10 pav.).
4. Užpurkškite ploviklio ant sauso paviršiaus.
5. Leiskite plovikliui veikti ant paviršiaus nuo trijų iki penkių minučių.
6. Nuplaukite ploviklį nuo paviršiaus švariu vandeniu.

ISPĖJIMAS

Panaudojus ploviklį svarbu aukšto slėgio plovyklą nuplauti švariu vandeniu. Ištraukę ploviklio tiekimą, keletą minučių paleiskite per aukšto slėgio plovimo įrenginį švarų vandenį.

JRENGINIO SUSTABDYMAS

ISPĖJIMAS

Venkite staigaus variklio sustabdymo dideliu greičiu arba esant didelėi apkrovai, kad išvengtumėte variklio gedimo.

Norėdami sustabdyti mašiną:

1. Įjungimo / išjungimo jungiklį nustatykite į padėtį „OFF“ (17.2 pav.).
2. Perkeltkite kuro vožtuvo svirtį į padėtį „OFF“.
3. Išjunkite vandens tiekimą.
4. Spauskite pistoleto svirtį, kol išsileis siurblyje, žarnose ir pistoleto likęs vanduo.

PRIEŽIŪRA IR VALYMAS

ISPĖJIMAS

Niekada nedarykite priežiūros ar valymo įrenginiu veikiant. Visada dirbkite su vėsiu įrenginiu. Prieš valydami arba atlikdami techninės priežiūros darbus, atjunkite uždegimo žvakės dangtelį ir perskaitykite atitinkamas instrukcijas. Visada dėvėkite tinkamus

drabužius ir dėvėkite apsaugines pirštines, kai kyla pavojus jūsų rankoms.

Bet kokius šiame vadove neaprašytus reguliavimus ar techninės priežiūros veiksmus turi atlikti pardavėjas arba įgaliotasis techninės priežiūros centras, turintis reikiamų žinių ir įrangos, kad būtų užtikrinta, jog darbas būtų atliktas teisingai, išlaikant pradinį mašinos saugos lygį. Bet kokios operacijos, atliekamos neleistinuose centruose arba ne kvalifikuotų asmenų, visiškai panaikins garantiją ir visus gamintojo įsipareigojimus bei atsakomybę.

Priveržkite visas varžles ir varžtus, kad įsitikintumėte, jog mašina visada yra saugios darbinės būklės. Įprasta priežiūra yra būtina siekiant užtikrinti saugumą ir išlaikyti aukštą našumo lygį.

ISPĖJIMAS

Niekada nenaudokite mašinos su susidėvėjusiomis ar pažeistomis dalimis. Sugedusios arba susidėvėjusios dalys visada turi būti pakeistos, o ne taisomos. Naudokite tik originalias atsargines dalis.

PRIEŽIŪROS GRAFIKAS

Dažnis		Prieš kiekvieną naudojimą				
		Po 1 mėnesio arba 10 valandų operacijos	Kas 3 mėnesius arba 50 darbo valandų	Kas 6 mėnesius arba 100 darbo valandų	Kas 12 mėnesių arba 200 darbo valandų	
Daiktai						
Pilnas vienetas	Patikrinti	√				
Valdymo rankenos	Patikrinti	√				
variklio alyva	Patikrinkite-užpildykite	√				
	Pakeiskite		√		√	
Siurblys alyva	Patikrinkite-užpildykite	√				
	Pakeiskite		√		√	
Oro filtras	Patikrinkite – išvalykite	√*	√			
	Pakeiskite				√	
Kuro filtras	Patikrinkite – išvalykite				√*	
Kuro vamzdis	Patikrinkite – išvalykite				√*	
Indėlio taurė	Patikrinkite – išvalykite				√	
Vožtuvo tarpas	Patikrinkite – sureguliuokite				√**	

* Jei reikia, šiuos elementus reikia pakeisti.

**Šiuos elementus turėtų prižiūrėti ir taisyti tik įgaliotasis atstovas, turintis tinkamus įrankius ir reikiamus mechaninius įgūdžius.

VARIKLIO IR SIURBLIŲ ALYVA ISPĖJIMAS

Lygio tikrinimas ir alyvos keitimas turi būti atliekami tvirtoje ir lygioje vietoje. Variklis visada turi būti sustabdytas. Jei variklis būtų dirbęs, jis bus karštas, todėl procedūrą reikia atlikti atsargiai, kad išvengtumėte nudegimų.

Norėdami patikrinti variklio alyvos lygį:

1. Nuimkite alyvos pildymo angos dangtelį.
2. Švariai nuvalykite alyvos lygio matuoklį.
3. Įkiškite alyvos lygio matuoklį į alyvos įpylimo kaklelį, jo neužsukdami.
4. Ištraukite alyvos lygio matuoklį ir patikrinkite ant jo nurodytą alyvos lygį. Jei reikia, įpilkite alyvos iki viršutinio lygio.
5. Įdėkite alyvos lygio matuoklį į vietą ir tinkamai priveržkite.

Norėdami pakeisti variklio alyvą:

PASTABA

Išleiskite panaudotą alyvą, kol variklis šiltas. Šiltas aliejus greitai ir visiškai nuteka.

1. Nuimkite alyvos pildymo angos dangtelį nuo variklio alyvos įpylimo angos.
2. Po alyvos išleidimo anga (19.2 pav.) padėkite tinkamą indą (19.3 pav.), kad surinktų panaudotą alyvą.
3. Išimkite alyvos išleidimo kaištį (19.4 pav.) ir poveržlę (19.5 pav.), kad alyva visiškai ištekėtų.
4. Vėl uždėkite alyvos išleidimo kaištį su poveržle ir tinkamai priveržkite.
5. Palaipsniui įpilkite tiek alyvos, kad alyvos lygis pasiektų alyvos įpylimo angos angą iki viršutinio lygio ir ne žemiau nei apatinis.
6. Vėl uždėkite alyvos pildymo angos dangtelį ir tinkamai priveržkite.

PASTABA

Jei variklis dažnai dirba dulketomis ar kitomis sunkiomis aplinkybėmis, pakeiskite variklio alyvą kas 10 valandų.

Norėdami patikrinti siurblio alyvos lygį:

1. Nuimkite alyvos pildymo angos dangtelį.
2. Patikrinkite alyvos lygį ant alyvos matuoklio. Jei reikia, įpilkite alyvos iki viršutinio lygio.
3. Uždėkite alyvos pildymo angos dangtelį ir tinkamai priveržkite.

Norėdami pakeisti siurblio alyvą:

1. Nuimkite alyvos pildymo angos dangtelį.
2. Po alyvos išleidimo anga padėkite tinkamą indą panaudotai alyvai surinkti.
3. Išimkite alyvos išleidimo kaištį ir poveržlę, kad alyva visiškai ištekėtų.
4. Vėl uždėkite alyvos išleidimo kaištį su poveržle ir tinkamai priveržkite.
5. Palaipsniui įpilkite tiek alyvos, kad alyvos lygis pakiltų iki viršutinio lygio ir ne žemesnis nei apatinis.
6. Vėl uždėkite alyvos pildymo angos dangtelį ir tinkamai priveržkite.

ISPĖJIMAS:

Jei variklis arba siurblys dirbs, sumažėjęs alyvos lygis sugadins variklį.

PASTABA

Panaudotą variklinę alyvą ir talpas išmeskite taip, kad jos būtų suderinamos su aplinka. Rekomenduojame nugabenti jį sandariame konteineryje į vietinį

perdirbimo centrą arba degalinę, kad būtų galima sutvarkyti. Neišmeskite jo į šiukšladiėžę, nepilkite ant žemės ir neišpilkite į kanalizaciją.

ORO FILTRAS

ISPĖJIMAS

Jei variklis veikia be oro valytuvo arba su pažeistu oro valytuvu, į variklį pateks nešvarumų, dėl kurių variklis greitai nusidėvės.

Norėdami patikrinti, išvalyti arba pakeisti oro filtrą:

1. Nuimkite oro filtro dangtelį (20.1 pav.).
2. Įsitinkite, kad oro filtro elementas (20.2 pav.) yra švarus ir geros būklės. Jei jis nešvarus, išimkite ir išvalykite. Norėdami išvalyti putplasčio oro filtro elementą, nuplaukite jį naminiu plovikliu ir karštu vandeniu ir leiskite išdžiūti. Tada pamirkykite jį švarioje prisotintoje variklio alyvoje ir švelniai išspauskite alyvos perteklių. Jei reikia, pakeiskite jį nauju. Norėdami išvalyti popierinį oro filtro elementą, nuvalykite lengvus nešvarumus kelis kartus švelniau užklijuodami juos ant kieto paviršiaus ir pakeiskite, jei yra daug nešvarumų.
3. Nuvalykite oro filtro korpuso vidų ir uždenkite nuo nešvarumų minkšta šluoste. Jei variklyje yra alyvos vonios tipo oro filtras, pakeiskite alyvą nauja variklio alyva.
4. Vėl įstatykite oro filtro elementą ir atlikite atvirkštinę procedūrą, kad grąžintumėte oro filtro dangtelį.

ISPĖJIMAS

Niekada nevalykite oro filtro degiais arba žemos pliusnio temperatūros plovikliais, kad išvengtumėte gaisro ar sprogimo pavojaus.

PASTABA

Jei variklis dažnai dirba dulketomis ar kitomis sunkiomis aplinkybėmis, valykite oro filtro elementą kas 10 valandų. Jei reikia, keiskite oro filtro elementą kas 25 valandas.

UŽDEGIMO ŽVAKĖ

Norėdami prižiūrėti uždegimo žvakę (21 pav.):

1. Nuimkite uždegimo žvakės dangtelį, kad pasiektumėte uždegimo žvakę.
2. Naudokite tinkamą uždegimo žvakės įrankį, kad atsargiai ištrauktumėte uždegimo žvakę.
3. Patikrinkite uždegimo žvakės ir jos elektrodo būklę. Ji turi būti švari ir nedėvėta. Patikrinkite, ar tarpas tarp uždegimo žvakės yra nuo 0,7 iki 0,8 mm (8 pav.). Jei reikia, pakeiskite uždegimo žvakę nauja.
4. Ranka atsargiai įkiškite uždegimo žvakę į variklį.
5. Įsriegę sriegį, naudokite atitinkamą uždegimo žvakės įrankį, kad priveržtumėte uždegimo žvakę, atkreipkite dėmesį, kad nepažeistumėte sriegių per didelės jėgos.
6. Vėl uždėkite uždegimo žvakės dangtelį.

ISPĖJIMAS

Niekada neleiskite purvui ar šiukšlėms patekti į cilindro angą. Prieš išimdami uždegimo žvakę, kruopščiai nuvalykite uždegimo žvakę ir cilindro galvutės sritį.

KURO NUODUODŲ TAURAS

ISPĖJIMAS

Degalų karbiuratorių prižiūrėkite tik lauke ir gerai

vėdinamose vietose.

Norėdami prižiūrėti kuro nuosėdų indelį (22 pav.):

1. Pasukite kuro vožtuvą į „OFF“ padėtį.
2. Nuimkite karbiuratoriaus degalų nuosėdų taurėlę su guminiu sandarikliu žiedu.
3. Nuimtas dalis nuplaukite tirpiklyje, gerai išdžiovinkite.

ĮSPĖJIMAS

Niekada nevalykite degalų nuosėdų puodelio degiaisiais arba žemos pliūpsnio temperatūros plovikliais, kad išvengtumėte gaisro ar sprogimo pavojaus.

4. Jei reikia, pakeiskite guminį sandariklio žiedą nauju.
5. Vėl uždėkite guminį sandariklio žiedą ir nuosėdų taurę ir pritvirtinkite.
6. Pasukite kuro vožtuvą į padėtį „ON“ ir patikrinkite, ar nėra kuro nuotėkio.

KURO FILTRAS

Priklausomai nuo vairalazdės modelio degalų bake gali būti filtras, esantis prie degalų bako dangtelio. Kuro filtrą galima išimti ir jį reikia periodiškai tikrinti. Jei filtras yra nešvarus, išvalykite jį ir prireikus pakeiskite nauju. Jei degalų bako vidus yra nešvarus, jį galima išvalyti išskalaujant kuro baką švariu benzinu.

VALYMAS

Nedidelį minkštą šepetėlį valykite įrenginio išorę. Nenaudokite stiprių ploviklių. Būtiniai valikliai, kurių sudėtyje yra aromatinių aliejų, pvz., pušų ir citrinų, ir tirpiklių, tokių kaip žibalas, gali pažeisti plastikinį korpusą arba rankeną. Drėgmę nuvalykite minkšta šluoste.

SANDĖLIAVIMAS

ĮSPĖJIMAS

Niekada nelaikykite įrenginio su degalų bake ir visada leiskite įrenginiui atvėsti prieš padėdami. Laikykite įrenginį tik sausose ir gerai vėdinamose patalpose.

ĮSPĖJIMAS

Prietaisas ir priedai, kurie nėra visiškai nusausinti, gali būti sunaikinti dėl šalčio arba pelėsio. Norėdami išvengti žalos:

1. Išjunkite prietaisą.
2. Išjunkite vandens tiekimą.
3. Atjunkite purkštuvą nuo gaiduko pistoleto.
4. Spauskite gaiduko pistoleto svirtį, kol nebebus vandens.
5. Atjunkite prietaisą nuo vandens tiekimo.

Jei įrenginys bus saugomas ilgesnį laiką, naudokite šią saugojimo procedūrą:

1. Iš kuro bako ir karbiuratoriaus išleiskite visus degalus.
2. Pakeiskite variklio alyvą nauja.
3. Ištraukite uždegimo žvakę ir į cilindrą įpilkite 30 ml aukštos kokybės variklio alyvos. Lėtai traukite starterio virvę, kad pasiskirstytų alyva. Vėl įstatykite uždegimo žvakę.
4. Kruopščiai išvalykite įrenginį ir patikrinkite, ar nėra palaidų ar pažeistų dalių. Pataisykite arba pakeiskite pažeistas dalis ir priveržkite atsilaisvintus varžtus, veržles arba varžtus.
5. Visas reikalingas dalis sutepkite alyvoje drėgna šluoste, kad nesusidarytų rūdžių.

APLINKOS APSAUGA

Perdirbkite žaliavas, o ne išmeskite kaip atliekas. Mašina, priedai ir pakuotės turi būti rūšiuojamos, kad būtų galima perdirbti aplinkai nekenksmingą. Plastikiniai komponentai yra paženklinti, kad juos būtų galima perdirbti.

Panaudotą variklinę alyvą ir talpas išmeskite taip, kad jos būtų suderinamos su aplinka. Rekomenduojame nugabenti jį sandariame konteineryje į vietinį perdirbimo centrą arba degalinę, kad būtų galima sutvarkyti. Neišmeskite jo į šiukšliadėžę, nepilkite ant žemės ir neišpilkite į kanalizaciją.

GARANTIJA

Šiam gaminiui suteikiama garantija pagal teisinis / konkrečios šalies reglamentus, kurie galioja nuo pirmojo naudotojo įsigijimo datos. Garantija netaikoma žalai, atsiradusioms dėl normalaus nusidėvėjimo, perkrovos ar netinkamo naudojimo. Jei turite pretenzijų, visiškai surinktą mašiną nusiųskite pardavėjui arba oficialiam aptarnavimo centrui.

TECHNICAL DATA			
Article Number		47 498	47 500
Model		GHPW 220 PRO	GHPW 270 PRO
Maximum pressure	bar	220	270
Rated pressure	bar	185	234
Maximum flow	L/hr	756	1.020
Rated flow	L/hr	642	864
Pump body material		Aluminum	Aluminum
Pump head material		Brass	Brass
Pump oil type (non detergent)		10W30	10W30
Engine type		4-stroke - OHV	4-stroke - OHV
Engine displacement	cc	212	420
Maximum power	HP	7	14
Rated output power	kW	4,4	8,8
Rated speed of rotation	rpm	3.600	3.600
Engine oil type		10W30	10W30
Engine oil capacity	L	0,5	1,1
Spark plug		F6TC/F6RTC	F6TC/F6RTC
Spark plug gap	mm	0,7 - 0,8	0,7 - 0,8
Valve clearance (intake)	mm	0,05-0,10	0,10 - 0,15
Valve clearance (exhaust)	mm	0,05-0,10	0,15 - 0,20
Air filter type		Paper and foam	Paper and foam
Starting type		Recoil	Recoil
Fuel type		Unleaded Petrol	Unleaded Petrol
Fuel tank capacity	L	3,6	6,8
Fuel consumption	g/kWh	≤ 395	≤ 374
High pressure hose length	m	10	15
Wheel diameter	mm	254	343
Net weight	kg	33,0	54,0

SPÉCIFICATIONS TECHNIQUES			
Art N°		47 498	47 500
Model		GHPW 220 PRO	GHPW 270 PRO
Pression maximale	bar	220	270
Pression nominale	bar	185	234
Débit maximal	L/hr	756	1.020
Débit nominal	L/hr	642	864
Matériau du corps de pompe		Aluminium	Aluminium
Matériau de la tête de pompe		Laiton	Laiton
Type d'huile de pompe (non détergente)		10W30	10W30
Type de moteur		Quatre temps, OHV	Quatre temps, OHV
Cylindrée du moteur	cc	212	420
Puissance maximum	HP	7	14
Puissance de sortie nominale	kW	4,4	8,8
Vitesse de rotation nominale	rpm	3.600	3.600
Type d'huile moteur		10W30	10W30
Capacité d'huile moteur	L	0,5	1,1
Bougie d'allumage		F6TC/F6RTC	F6TC/F6RTC
Ecartement électrode bougie	mm	0,7 - 0,8	0,7 - 0,8
Jeu aux soupapes (admission)	mm	0,05-0,10	0,10 - 0,15
Jeu aux soupapes (échappement)	mm	0,05-0,10	0,15 - 0,20
Type de filtre à air		Papier et mousse	Papier et mousse
Type de départ		Recul	Recul
Type de carburant		Essence sans plomb	Essence sans plomb
Capacité du réservoir de carburant	L	3,6	6,8
Consommation de carburant	g/kWh	≤ 395	≤ 374
Longueur du tuyau haute pression	m	10	15
Diamètre de la roue	mm	254	343
Poids net	kg	33,0	54,0

DATI TECNICI			
Codice prodotto		47 498	47 500
Model		GHPW 220 PRO	GHPW 270 PRO
Pressione massima	bar	220	270
Pressione nominale	bar	185	234
Portata massima	L/hr	756	1.020
Portata nominale	L/hr	642	864
Materiale corpo pompa		Alluminio	Alluminio
Materiale della testa della pompa		Ottone	Ottone
Tipo di olio della pompa (non detergente)		10W30	10W30
Tipo di motore		Quattro tempi, OHV	Quattro tempi, OHV
Cilindrata del motore	cc	212	420
Massima potenza	HP	7	14
Potenza di uscita nominale	kW	4,4	8,8
Velocità di rotazione nominale	rpm	3.600	3.600
Tipo di olio motore		10W30	10W30
Capacità olio motore	L	0,5	1,1
Candela		F6TC/F6RTC	F6TC/F6RTC
Distanza tra le candele	mm	0,7 - 0,8	0,7 - 0,8
Gioco valvole (aspirazione)	mm	0,05-0,10	0,10 - 0,15
Gioco valvole (scarico)	mm	0,05-0,10	0,15 - 0,20
Tipo di filtro dell'aria		Carta e schiuma	Carta e schiuma
Tipo di partenza		Rinculo	Rinculo
Tipo di carburante		Benzina senza piombo	Benzina senza piombo
Capacità della tanica di benzina	L	3,6	6,8
Consumo di carburante	g/kWh	≤ 395	≤ 374
Lunghezza del tubo ad alta pressione	m	10	15
Diametro ruota	mm	254	343
Peso netto	kg	33,0	54,0

ΤΕΧΝΙΚΑ ΧΑΡΑΚΤΗΡΙΣΤΙΚΑ			
Κωδικός Είδους		47 498	47 500
Μοντέλο		GHPW 220 PRO	GHPW 270 PRO
Μέγιστη πίεση	bar	220	270
Ονομαστική πίεση	bar	185	234
Μέγιστη παροχή	L/hr	756	1.020
Ονομαστική παροχή	L/hr	642	864
Υλικό αντλίας		Αλουμίνιο	Αλουμίνιο
Υλικό κεφαλής αντλίας		Ορείχαλκος	Ορείχαλκος
Τύπος λαδιού αντλίας (μη αφρίζον)		10W30	10W30
Τύπος κινητήρα		4-χρονος, OHV	4-χρονος, OHV
Κυβισμός κινητήρα	cc	212	420
Μέγιστη ισχύς	HP	7	14
Ονομαστική ισχύς	kW	4,4	8,8
Ονομαστικές στροφές	rpm	3.600	3.600
Τύπος λαδιού κινητήρα		10W30	10W30
Χωρητικότητα λαδιού κινητήρα	L	0,5	1,1
Μπουζί		F6TC/F6RTC	F6TC/F6RTC
Διάκενο μπουζί	mm	0,7 - 0,8	0,7 - 0,8
Διάκενο βαλβιδών (εισαγωγή)	mm	0,05-0,10	0,10 - 0,15
Διάκενο βαλβιδών (εξαγωγή)	mm	0,05-0,10	0,15 - 0,20
Τύπος φίλτρου αέρα		Χάρτινο και αφρού	Χάρτινο και αφρού
Τύπος εκκίνησης		Χειρόμιζα	Χειρόμιζα
Τύπος καυσίμου		Αμόλυβδη βενζίνη	Αμόλυβδη βενζίνη
Χωρητικότητα δοχείου καυσίμου	L	3,6	6,8
Κατανάλωση καυσίμου	g/kWh	≤ 395	≤ 374
Μήκος σωλήνα υψηλής πίεσης	m	10	15
Διάμετρος τροχών	mm	254	343
Καθαρό βάρος	kg	33,0	54,0



TEHNIČKI PODACI			
Br. art.		47 498	47 500
Model		GHPW 220 PRO	GHPW 270 PRO
Maksimalni pritisak	bar	220	270
Ocenjeni pritisak	bar	185	234
Maksimalan protok	L/hr	756	1.020
Ocenjeni tok	L/hr	642	864
Pumpa telesni materijal		Aluminijum	Aluminijum
Materijal za glavu pumpe		Mesing	Mesing
Tip ulja pumpe (bez deterdženta)		10W30	10W30
Tip motora		Četiri moždana udara, OHV	Četiri moždana udara, OHV
Premeštanje motora	cc	212	420
Maksimalno napajanje	HP	7	14
Ocenjeno izlazno napajanje	kW	4,4	8,8
Ocenjena brzina rotacije	rpm	3.600	3.600
Tip motornog ulja		10W30	10W30
Kapacitet motornog ulja	L	0,5	1,1
Svećica		F6TC/F6RTC	F6TC/F6RTC
Razmak između svećica	mm	0,7 - 0,8	0,7 - 0,8
Čišćenje ventila (unos)	mm	0,05-0,10	0,10 - 0,15
Čišćenje ventila (izduvni gasovi)	mm	0,05-0,10	0,15 - 0,20
Tip filtera vazduha		Papir i pena	Papir i pena
Početni tip		Trzaj	Trzaj
Tip goriva		Bezolovni benzin	Bezolovni benzin
Kapacitet rezervoara za gorivo	L	3,6	6,8
Potrošnja goriva	g/kWh	≤ 395	≤ 374
Dužina creva visokog pritiska	m	10	15
Prečnik točka	mm	254	343
Neto težina	kg	33,0	54,0

TEHNIČKA OBILJEŽJA			
Br. art.		47 498	47 500
Model		GHPW 220 PRO	GHPW 270 PRO
Maksimalni pritisak	bar	220	270
Nazivni tlak	bar	185	234
Maksimalni protok	L/hr	756	1.020
Nazivni protok	L/hr	642	864
Materijal tijela pumpe		Aluminij	Aluminij
Materijal glave pumpe		Mjed	Mjed
Vrsta ulja za pumpu (bez deterdženta)		10W30	10W30
Vrsta motora		Četverotaktni, OHV	Četverotaktni, OHV
Zapremina motora	cc	212	420
Maksimalna snaga	HP	7	14
Nazivna izlazna snaga	kW	4,4	8,8
Nazivna brzina vrtnje	rpm	3.600	3.600
Vrsta motornog ulja		10W30	10W30
Kapacitet motornog ulja	L	0,5	1,1
Svječica		F6TC/F6RTC	F6TC/F6RTC
Razmak svječice	mm	0,7 - 0,8	0,7 - 0,8
Zazor ventila (usis)	mm	0,05-0,10	0,10 - 0,15
Zazor ventila (ispušni)	mm	0,05-0,10	0,15 - 0,20
Vrsta filtera za zrak		Papir i pjena	Papir i pjena
Početni tip		Trzaj	Trzaj
Vrsta goriva		Bezolovni benzin	Bezolovni benzin
Kapacitet rezervoara za gorivo	L	3,6	6,8
Potrošnja goriva	g/kWh	≤ 395	≤ 374
Dužina visokotlačnog crijeva	m	10	15
Promjer kotača	mm	254	343
Neto težina	kg	33,0	54,0

DATE TEHNICE			
Număr de identificare		47 498	47 500
Model		GHPW 220 PRO	GHPW 270 PRO
Presiune maximă	bar	220	270
Presiune nominală	bar	185	234
Debit maxim	L/hr	756	1.020
Debitul nominal	L/hr	642	864
Material corpul pompei		Aluminiu	Aluminiu
Material capul pompei		Alamă	Alamă
Tip ulei de pompă (fără detergent)		10W30	10W30
Tipul motorului		Patru timpi, OHV	Patru timpi, OHV
Deplasarea motorului	cc	212	420
Putere maxima	HP	7	14
Puterea nominală de ieșire	kW	4,4	8,8
Viteza nominală de rotație	rpm	3.600	3.600
Tip ulei de motor		10W30	10W30
Capacitate ulei de motor	L	0,5	1,1
Bujie		F6TC/F6RTC	F6TC/F6RTC
Distanța bujiilor	mm	0,7 - 0,8	0,7 - 0,8
Jocul supapelor (admisie)	mm	0,05-0,10	0,10 - 0,15
Jocul supapelor (de evacuare)	mm	0,05-0,10	0,15 - 0,20
Tip filtru de aer		Hârtie și spumă	Hârtie și spumă
Tip de pornire		Recul	Recul
Tipul combustibilului		Benzină fără plumb	Benzină fără plumb
Capacitatea rezervorului de combustibil	L	3,6	6,8
Consum de combustibil	g/kWh	≤ 395	≤ 374
Lungimea furtunului de înaltă presiune	m	10	15
Diametrul roții	mm	254	343
Greutate netă	kg	33,0	54,0

MŰSZAKI ADATOK			
Cikkszám		47 498	47 500
Modell		GHPW 220 PRO	GHPW 270 PRO
Maximális nyomás	bar	220	270
Névleges nyomás	bar	185	234
Maximális áramlás	L/hr	756	1.020
Névleges áramlás	L/hr	642	864
Szivattyútest anyaga		Alumínium	Alumínium
Szivattyúfej anyaga		Sárgaréz	Sárgaréz
Szivattyúolaj típus (nem mosószeres)		10W30	10W30
Motor típus		4 ütemű - OHV	4 ütemű - OHV
Motor lökettérfogat	cc	212	420
Maximális teljesítmény	HP	7	14
Névleges kimeneti teljesítmény	kW	4,4	8,8
Névleges forgási sebesség	rpm	3.600	3.600
Motorolaj típusa		10W30	10W30
Motorolaj kapacitás	L	0,5	1,1
Gyújtógyertya		F6TC/F6RTC	F6TC/F6RTC
Gyújtógyertya hézag	mm	0,7 - 0,8	0,7 - 0,8
Szelephézag (szívás)	mm	0,05-0,10	0,10 - 0,15
Szelephézag (kipufogó)	mm	0,05-0,10	0,15 - 0,20
Légszűrő típus		Papír és hab	Papír és hab
Kezdő típus		Visszarúg	Visszarúg
Üzemanyagtípus		Ólom mentes benzin	Ólom mentes benzin
Üzemanyagtartály kapacitás	L	3,6	6,8
Üzemanyag fogyasztás	g/kWh	≤ 395	≤ 374
A nagynyomású tömlő hossza	m	10	15
Kerék átmérő	mm	254	343
Nettó tömeg	kg	33,0	54,0

TECHNINIAI DUOMENYS			
Straipsnio numeris		47 498	47 500
Modelis		GHPW 220 PRO	GHPW 270 PRO
Maksimalus slėgis	bar	220	270
Vardinis slėgis	bar	185	234
Maksimalus srautas	L/hr	756	1.020
Vardinis srautas	L/hr	642	864
Siurblio korpuso medžiaga		Aliuminis	Aliuminis
Siurblio galvutės medžiaga		Žalvaris	Žalvaris
Siurblio alyvos tipas (ne ploviklis)		10W30	10W30
Variklio tipas		4 taktų – OHV	4 taktų – OHV
Variklio darbinis tūris	cc	212	420
Didžiausia galia	HP	7	14
Nominali išėjimo galia	kW	4,4	8,8
Nominalus sukimosi greitis	rpm	3.600	3.600
Variklio alyvos tipas		10W30	10W30
Variklio alyvos talpa	L	0,5	1,1
Uždegimo žvakė		F6TC/F6RTC	F6TC/F6RTC
Uždegimo žvakės tarpas	mm	0,7 - 0,8	0,7 - 0,8
Vožtuvo tarpas (įsiurbimas)	mm	0,05-0,10	0,10 - 0,15
Vožtuvo tarpas (išmetimas)	mm	0,05-0,10	0,15 - 0,20
Oro filtro tipas		Papír és hab	Popierius ir putplastis
Pradinis tipas		Visszarúg	Atsitraukimas
Kuro tipas		Ólom mentes benzín	Bešvinis benzinas
Kuro bako talpa	L	3,6	6,8
Degalų sąnaudos	g/kWh	≤ 395	≤ 374
Aukšto slėgio žarnos ilgis	m	10	15
Rato skersmuo	mm	254	343
Grynas svoris	kg	33,0	54,0

EN	EU DECLARATION OF CONFORMITY		We declare under our sole responsibility that the listed products comply with all applicable provisions of the below directives and are also in conformity with the following standards. Production year and serial number are on the product. The relative technical file is at the below address.	
	PETROL HIGH PRESSURE WASHER			
	MODEL	Article number		
FR	DÉCLARATION CE DE CONFORMITÉ		Nous déclarons sous notre propre responsabilité que les produits décrits sont conformes à toutes les dispositions applicables des directives ci-dessous et sont également conformes aux normes suivantes. L'année de production et le numéro de série figurent sur le produit. Le dossier technique correspondant est à l'adresse ci-dessous.	
	NETTOYEUR À HAUTE PRESSION À ESSENCE			
	MODÈLE	Numéro de l'article		
IT	DICHIARAZIONE CE DI CONFORMITÀ		Dichiaro sotto la nostra piena responsabilità che i prodotti indicati sono conformi a tutte le disposizioni applicabili delle seguenti direttive e sono inoltre conformi alle seguenti norme. Anno di produzione e numero di serie sono sul prodotto. La relativa scheda tecnica è al seguente indirizzo.	
	IDROPULITRICE ALTA PRESSIONE A BENZINA			
	MODELLO	Codice prodotto		
EL	ΔΗΛΩΣΗ ΣΥΜΜΟΡΦΩΣΗΣ ΕΚ		Δηλώνουμε με αποκλειστική μας ευθύνη, ότι τα αναφερόμενα προϊόντα συμμορφώνονται με όλες τις σχετικές διατάξεις των κάτωθι οδηγιών και είναι επίσης σύμφωνα με τα ακόλουθα πρότυπα. Το έτος παραγωγής και ο σειριακός αριθμός αναγράφονται στο προϊόν. Ο τεχνικός φάκελος είναι στην παρακάτω διεύθυνση.	
	ΠΛΥΣΤΙΚΟ ΜΗΧΑΝΗΜΑ ΥΨΗΛΗΣ ΠΙΕΣΗΣ ΒΕΝΖΙΝΗΣ			
	ΜΟΝΤΕΛΟ	Κωδικός προϊόντος		
SR	CE IZJAVA O USAGLAŠENOSTI		Na sopstvenu odgovornost izjavljujemo, da navedeni proizvodi poštuju sve važecé odredbe dole navedenih direktiva i da su takođe u skladu sa sledećim standardima. Proizvodna godina i serijski broj su na proizvodu. Relativna tehnološka datoteka je na donje adresi.	
	BENZINSKI PERAČ POD PRITISKOM			
	MODEL	Broj predmeta		
HR	EU IZJAVA O SUKLADNOSTI		Pod punom odgovornošću izjavljujemo da navedeni proizvodi u skladu sa svim primjenjivim odredbama dolje navedenih direktiva, a također su u skladu sa sledećim standardima. Godina proizvodnje i serijski broj su na proizvodu. Relativna tehnička datoteka nalazi se na donjoj adresi.	
	MOTORNI VISOKOTLAČNI PERAČ			
	MODEL	Broj artikla		
RO	DECLARAȚIE DE CONFORMITATE UE		Declarăm pe proprie răspundere că produsele menționate respectă toate prevederile aplicabile din directivele de mai jos și sunt, de asemenea, conforme cu următoarele standarde. Anul de producție și numărul de serie sunt pe produs. Fișierul tehnic relativ se află la adresa de mai jos.	
	MAȘINĂ DE SPĂLAT CU PRESIUNE CU MOTOR PE BENZINA			
	MODEL	Număr articol		
HU	EU MEGFELELŐSÉGI NYILATKOZAT		Kijelentjük kizárólagos felelősségünkre, hogy a felsorolt termékek megfelelnek az alábbi irányelvek összes vonatkozó rendelkezésének, és megfelelnek a következő szabványoknak is. A gyártási év és a sorozatszám a terméken található. A relatív műszaki fájl az alábbi címen található.	
	BENZINMOTOROS NAGYNYOMÁSÚ MOSÓ			
	MODELL	Cikk szám		
LT	ES ATITIKTIES DEKLARACIJA		Mes, prisiimdami visą atsakomybę, pareiškiame, kad išvardyti produktai atitinka visas taikomas toliau nurodytų direktyvų nuostatas ir taip pat atitinka šiuos standartus. Gamybos metai ir serijos numeris yra ant gaminio. Santykinis technologinis failas yra žemiau nurodytu adresu.	
	BENZININĖ AUKŠTO SLĖGIO ŠALTO VANDENS PLOVYKLA			
	MODELIS	Straipsnis Numeris		
	GHPW 220 PRO	47 498	2006/42/EC	EN 60335-2-79:2019
	GHPW 270 PRO	47 500		EN 1679-1:1998+A1:2011
			2014/30/EU	EN ISO 12100:2010
				EN 55012:2007+A1:2009
Aimilios G. Theodorou Electrical Engineer, Safety Officer  4/10/2022 FF GROUP TOOL INDUSTRIES, 19300 Aspropyrgos-Greece.			FF GROUP TOOL INDUSTRIES 9,5km Attiki Odos, Aspropyrgos 19300, Athens, Greece Tel. +30 210 55 98 400	



FF GROUP TOOL INDUSTRIES



9,5 Km Attiki Odos, Aspropyrgos

19300, Athens, Greece



+30 210 55 98 400



info@ffgroup-toolindustries.com



www.ffgroup-tools.com