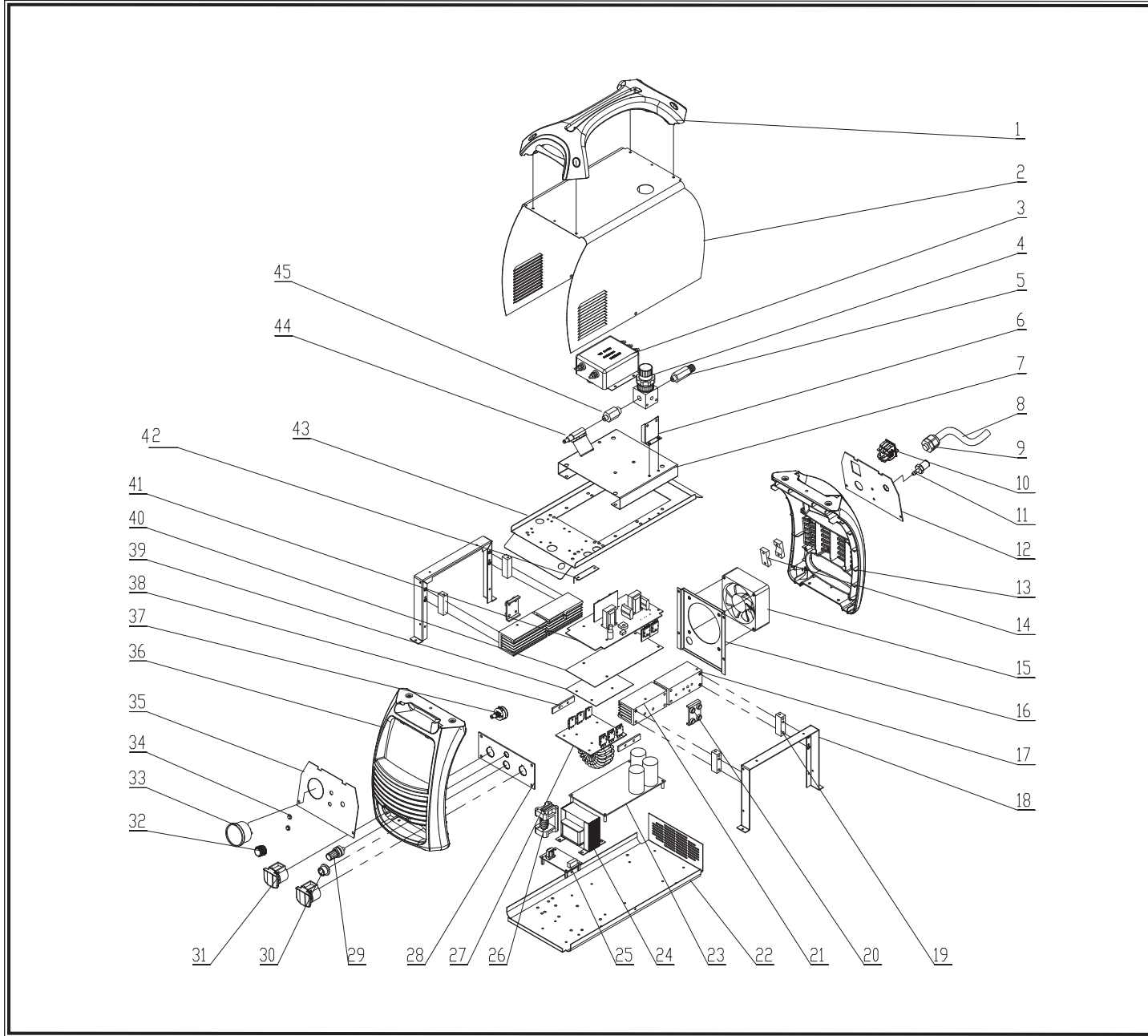


| POS.  | CODE   | DESCRIPTION                            | QTY |
|-------|--------|--|-----|
| 1     | A12354 | PLASTIC HANDLE                         | 1   |
| 2     | A12377 | OUTER SHELL                            | 1   |
| 3     | A12378 | EMI POWER LINE FILTERS                 | 1   |
| 4     | A12379 | AIR REGULATOR                          | 1   |
| 5     | A12380 | EUROPEAN GAS CONNECTOR                 | 1   |
| 6     | A12381 | PRESSURE REGULATING VALVE FIXING PLATE | 1   |
| 7     | A12382 | FILTER FIXING PLATE                    | 1   |
| 8     | A12383 | POWER CORD WITH PLUG HARNESS           | 1   |
| 9     | A12384 | EXTERNAL FORCE CABLE GLAND             | 1   |
| 10    | A02061 | ROCKER SWITCH                          | 1   |
| 11    | A12385 | INPUT GAS CONNECTOR                    | 1   |
| 12    | A12386 | BACK PLATE FIXING PLATE                | 1   |
| 13+36 | A12409 | TWO PLASTIC PANELS                     | 1   |
| 14    | A12388 | CLAMPING PLATE                         | 2   |
| 15    | A12389 | DC FAN                                 | 1   |
| 16    | A12390 | FAN COVER                              | 1   |
| 17    | A12395 | RADIATOR ASSEMBLY                      | 1   |
| 18    | A12392 | RADIATOR HOLDER                        | 1   |
| 19    | A12393 | SUPPORT COLUMN                         | 2   |
| 20    | A12394 | RADIATOR CONNECTION PLATE              | 1   |
| 21    | A12391 | RADIATOR ASSEMBLY                      | 1   |
| 22    | A12396 | BOTTOM REAR PANEL                      | 1   |
| 23    | A12397 | POWER ARC STRIKING BOARD               | 1   |
| 24    | A12398 | OUTPUT REACTOR                         | 1   |
| 25    | A12399 | SILICONE GUN SWITCH ISOLATION BOARD    | 1   |
| 26    | A12400 | COUPLING TRANSFORMER ASSEMBLY          | 1   |
| 27    | A12401 | RECTIFIER PLATE                        | 1   |



| POS. | CODE   | DESCRIPTION                                     | QTY |
|------|--------|---|-----|
| 28   | A12402 | FRONT PLATE LOWER FIXING PLATE                  | 1   |
| 29   | A12403 | QUICK SOCKET BAKELITE PIECES                    | 1   |
| 30   | A12404 | QUICK SOCKET (COPPER)                           | 1   |
| 31   | A12405 | CUTTING GUN SOCKET HARNESS                      | 2   |
| 32   | A02094 | POTENTIOMETER KNOB                              | 1   |
| 33   | A12406 | AIR REGULATOR VALVE HEAD                        | 1   |
| 34   | A12407 | INDICATOR HARNESS                               | 2   |
| 35   | A12408 | FRONT PLATE FIXING PLATE                        | 1   |
| 37   | A12410 | WELDING POTENTIOMETER HARNESS                   | 2   |
| 38   | A12411 | SMALL PRESSURE PLATE                            | 1   |
| 39   | A12412 | INSULATION BOARD FOR DRIVER BOARD               | 1   |
| 40   | A12413 | INSULATION BOARD FOR MAIN CONTROL BOARD         | 1   |
| 41   | A12414 | MAIN CONTROL BOARD ASSEMBLY                     | 1   |
| 42   | A12417 | CURRENT TRANSFORMER BRACKET                     | 1   |
| 43   | A12419 | MOUNTING PLATE                                  | 1   |
| 44   | A12420 | PRESSURE REGULATING VALVE GAS CONNECTOR STORAGE | 1   |
| 45   | A12421 | AIR VALVE CONNECTOR                             | 1   |