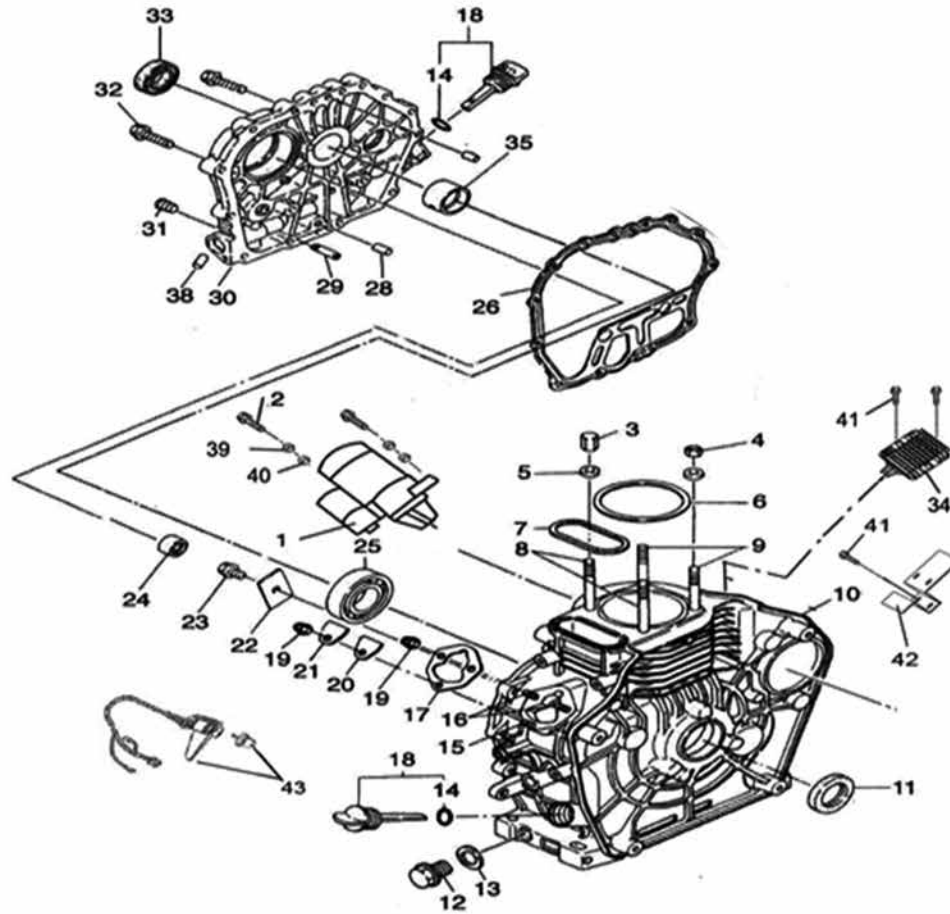
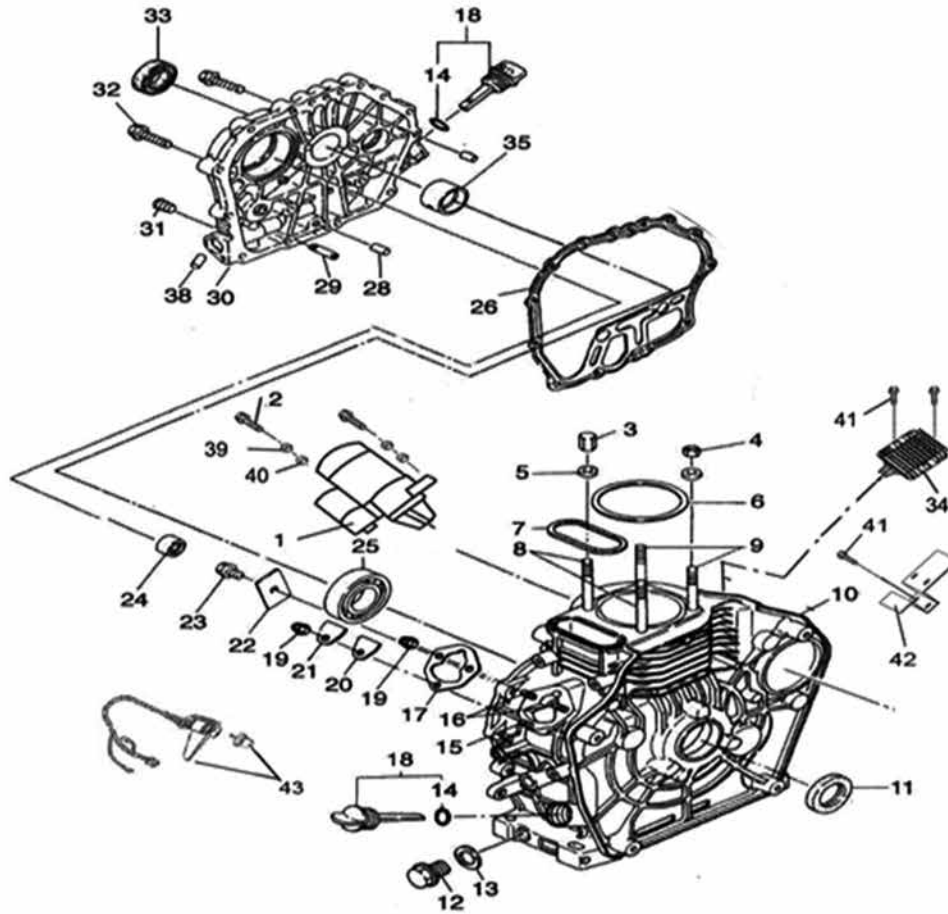


A01



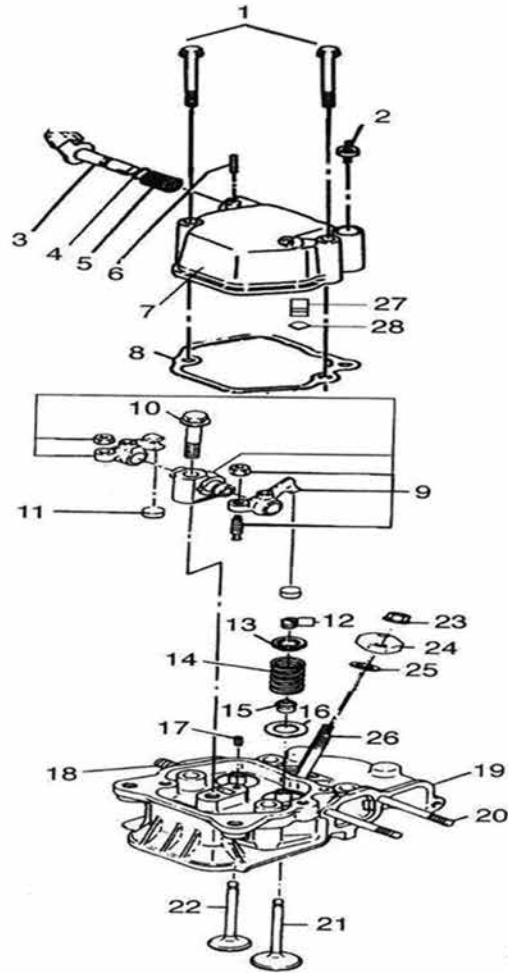
POS.	CODE	DESCRIPTION	QTY
1	A13290	START MOTOR	1
2	A12750	BOLT M10×35	2
3	A13306	CYLINDER HEAD NUTS (LONG)	2
4	A13304	CYLINDER HEAD NUTS (SHORT)	2
5	A13315	CYLINDER HEAD NUT GASKET	4
6	A13345	CYLINDER HEAD GASKET 0.3	1
	A13346	CYLINDER HEAD GASKET 0.4	1
	A13347	CYLINDER HEAD GASKET 0.5	1
7	A13287	RECTANGLE RING GASKET	1
8	A13297	CYLINDER HEAD BOLTS (LONG)	2
9	A13296	CYLINDER HEAD BOLTS (SHORT)	2
10	A13282	CYLINDER BLOCK	1
11	A13335	REAR OIL SEAL 35X50X8	1
12	A12873	OIL DRAIN PLUG	1
13	A12901	OIL DRAIN PLUG GASKET	1
14	A12722	O-RING FOR OIL DIPSTICK	2
15	A12808	FUEL INJECTION PUMP FASTENING BOLT (SHORT)	1
16	A12809	FUEL INJECTION PUMP FASTENING BOLT (LONG)	2
17	A12897	FUEL INJECTOR ADJUSTING GASKET 0.1mm	1
	A12898	FUEL INJECTOR ADJUSTING GASKET 0.2mm	1
	A12899	FUEL INJECTOR ADJUSTING GASKET 0.3mm	1
18	A13260	OIL DIPSTICK	2
19	A12824	NUT M6	2
20	A12885	SEALING PLATE GASKET	1

A01



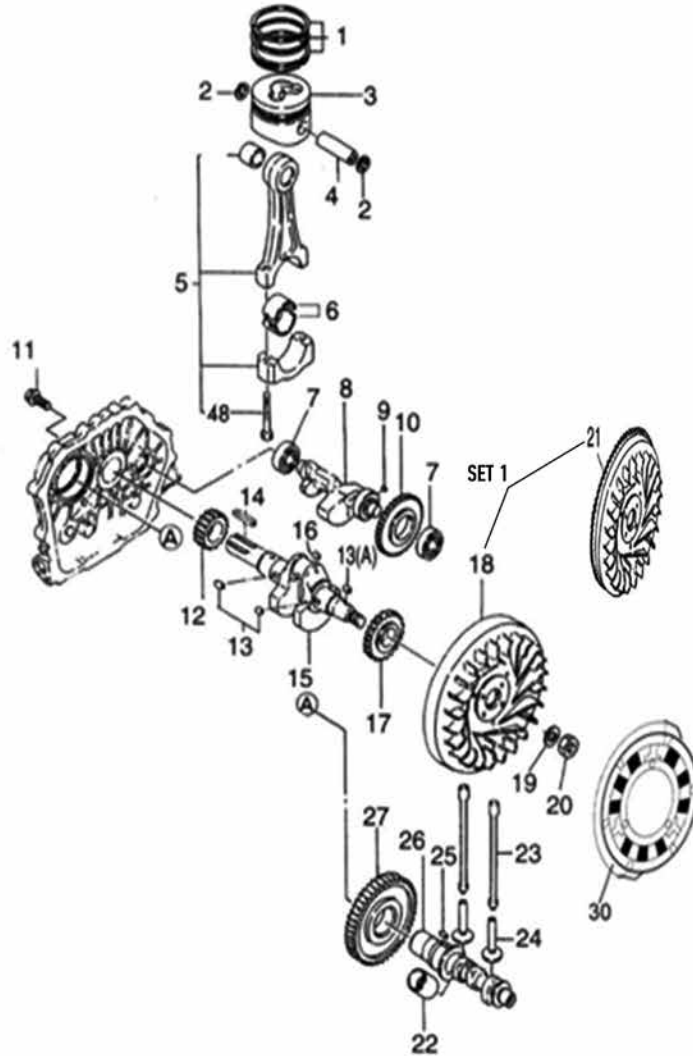
POS.	CODE	DESCRIPTION	QTY
21	A12829	SEALING PLATE	1
22	A12830	THRUST PIECE	1
23	A12753	BOLTS M8×16	1
24	A12740	NEEDLE BEARING	1
25	A13319	BALL BEARING 308	1
26	A13343	CRANKCASE COVER GASKET	1
28	A12827	RETAINING PIN 8X12	2
29	A12864	OIL GUIDE	1
30	A13273	CRANKCASE COVER	1
31	A12853	INNER HEXAGON PLUG G1/8"	1
32	A13252	HEXAGON FLANGE BOLTS M8X37	6
33	A13333	FRONT OIL SEAL 35X50X10	1
34	A13231	REGULATOR	1
35	A13283	MAIN BUSHING	1
38	A12871	ALUMINUM PLUG	1
39	A12848	FLAT WASHER 10	2
40	A12759	SPRING WASHER 10	2
41	A12751	HETEROTYPIC BOLT M6×12	3
42	A13246	SUPPORT OF REGULATOR	1
43	A13261	START SWITCH ASSEMBLY	1

A02



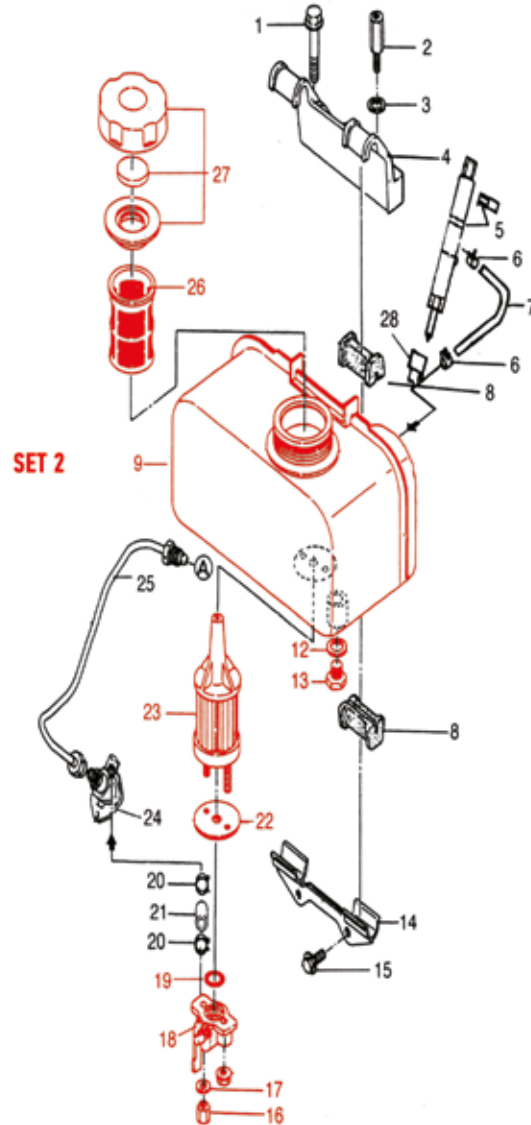
POS.	CODE	DESCRIPTION	QTY
1	A13247	FLANGED BOLT M6X70	2
2	A12869	OILING SCREW PLUG	1
3	A12732	DECOMPRESSION SHAFT	1
4	A12721	O-RING	1
5	A12773	DECOMPRESSION SHAFT SPRING	1
6	A12825	RETAINING PIN 3X16	1
7	A13275	CYLINDER HEAD COVER	1
8	A13344	CYLINDER HEAD COVER GASKET	1
9	A13279	ROCKER ARM	1
10	A13253	ROCKER ARM SHAFT FASTENING BOLT	1
11	A13241	ADJUSTING VALVE SPACER	2
12	A13242	VALVE CLIP	2
13	A13262	VALVE SPRING SEAT	2
14	A13268	VALVE SPRING	2
15	A13334	VALVE GUIDE OIL SEAL	1
16	A13317	VALVE SPRING WASHER	1
17	A12826	PIN 4X8	2
18	A12812	DOUBLE ENDED STUD AM8X36	2
19	A13272	CYLINDER HEAD	1
20	A13295	DOUBLE ENDED BOLT AM6X75	2
21	A13244	INTAKE VALVE	1
22	A13245	EXHAUST VALVE	1
23	A12824	HETEROTYPIC NUT M6	2
24	A12833	FUEL INJECTOR PRESSURE PLATE	1
25	A12896	FUEL INJECTOR ADJUSTING GASKET	1
26	A13299	FASTENED BOLT OF FUEL INJECTOR AM6x55	2
27	A12725	BREATHER ASSEMBLY	1
28	A12718	O-RING	1

A03



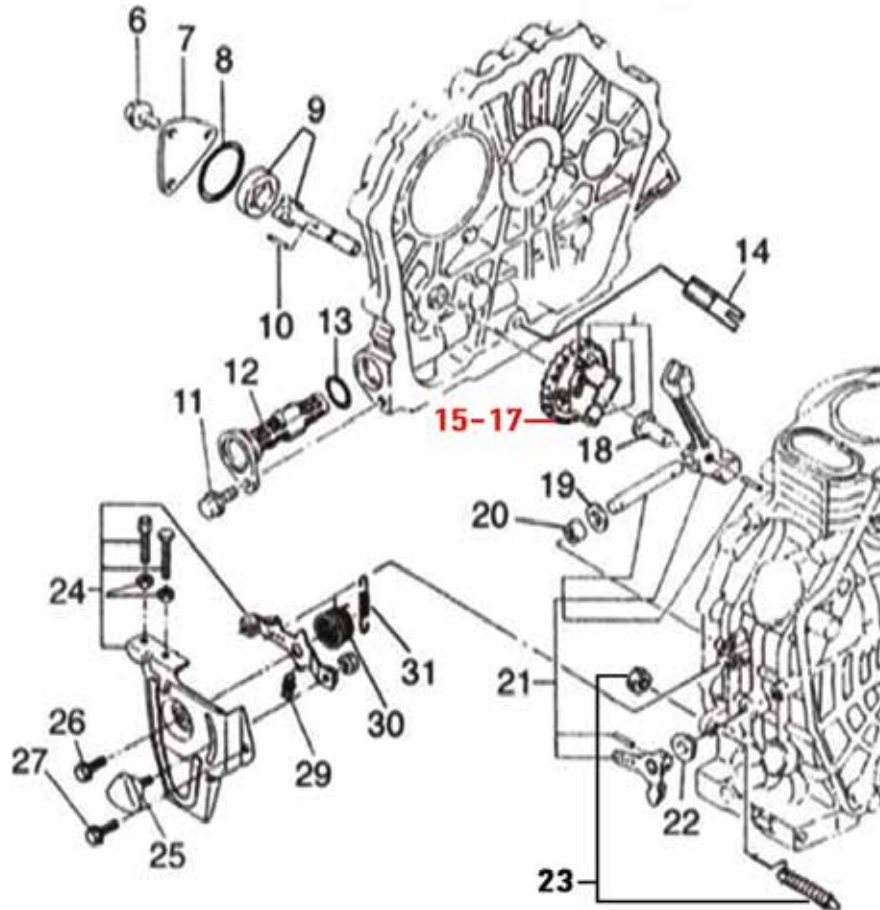
POS.	CODE	DESCRIPTION	QTY
1	A13321	PISTON RING SET	1
2	A13243	RETAINER CLIP OF PISTON PIN	2
3	A13270	PISTON	1
4	A13307	PISTON PIN	1
5	A13292	CONNECTING ROD BODY	1
6	A13284	CONNECTING ROD BUSH	1
7	A13320	BEARING 203	2
8	A13232	BALANCING SHAFT	1
9	A12859	KEY 5X7	1
10	A13256	BALANCING SHAFT TIMING GEAR	1
11	A12742	BOLT	1
12	A13258	CRANKSHAFT TIMING GEAR	1
13	A12855	KEY 5X12	2
13A	A12856	KEY 5X14	1
14	A13325	KEY 6X63	1
15	A13323	SPLINE SHAFT	1
16	A12806	STEEL BALL Ø6.25	1
17	A13255	BALANCING SHAFT DRIVING GEAR	1
SET 18+21	A13254	FLYWHEEL ASSEMBLY	1
19	A13318	FLYWHEEL NUT GASKET	1
20	A13303	FLYWHEEL NUT	1
22	A13310	SLEEVE OF FUEL PUMP ROD	1
23	A13351	PUSH ROD	2
24	A13311	TAPPET	2
25	A13324	KEY 5X14	1
26	A13264	CAMSHAFT	1
27	A13259	CAMSHAFT TIMING GEAR	1
30	A13308	FLYWHEEL ALTERNATOR	1

A04



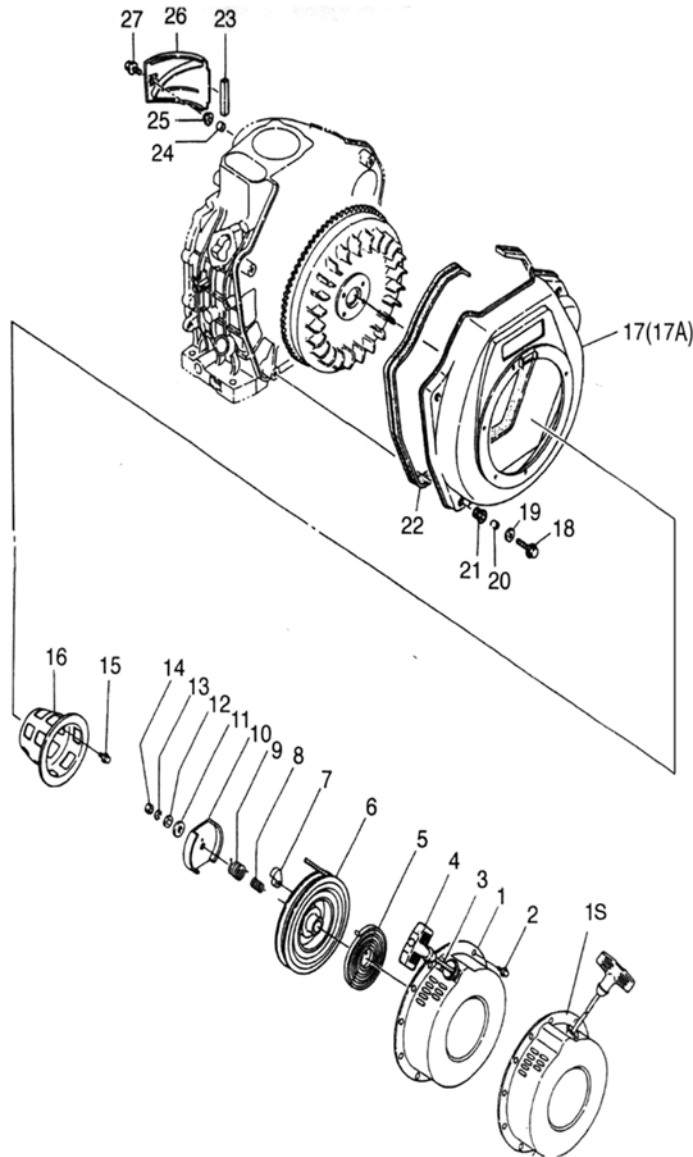
POS.	CODE	DESCRIPTION	QTY
1	A12755	BOLT M8X45	1
2	A12741	UPPER FUEL TANK BRACKET FASTENING BOLT	1
3	A12842	FLAT WASHER	1
4	A13235	UPPER FUEL TANK BRACKET	1
5	A13291	INJECTOR	1
6	A12861	FUEL LEAK-OFF PIPE CONNECTING	2
7	A13329	FUEL LEAK-OFF PIPE	1
8	A12728	SHOCK ABSORBING PAD OF FUEL TANK	4
SET 2	A13300	FUEL TANK ASSEMBLY	1
12	A12900	FUEL DRAIN GASKET	1
13	A12872	FUEL DRAIN PLUG (IN THE FUEL TANK)	1
14	A12786	LOWER FUEL TANK BRACKET	1
15	A12752	BOLT M6X14	2
16	A12824	NUT M6	2
17	A12840	FLAT WASHER	2
18	A12766	FUEL TANK COCK ASSEMBLY	1
19	A12723	GASKET OF FUEL TANK COCK	1
20	A12862	FUEL PIPE CLAMP	2
21	A13328	FUEL OIL PIPE	1
22	A12903	FUEL FILTER GASKET	1
23	A13337	FUEL FILTER ELEMENT	1
24	A13234	FUEL INJECTOR PUMP	1
25	A13327	HIGH PRESSURE FUEL PIPE	1
26	A12881	FUEL OIL FILTER	1
27	A12874	FUEL TANK CAP ASSEMBLY	1
28	A13218	FUEL INJECTOR CAP	1

A05



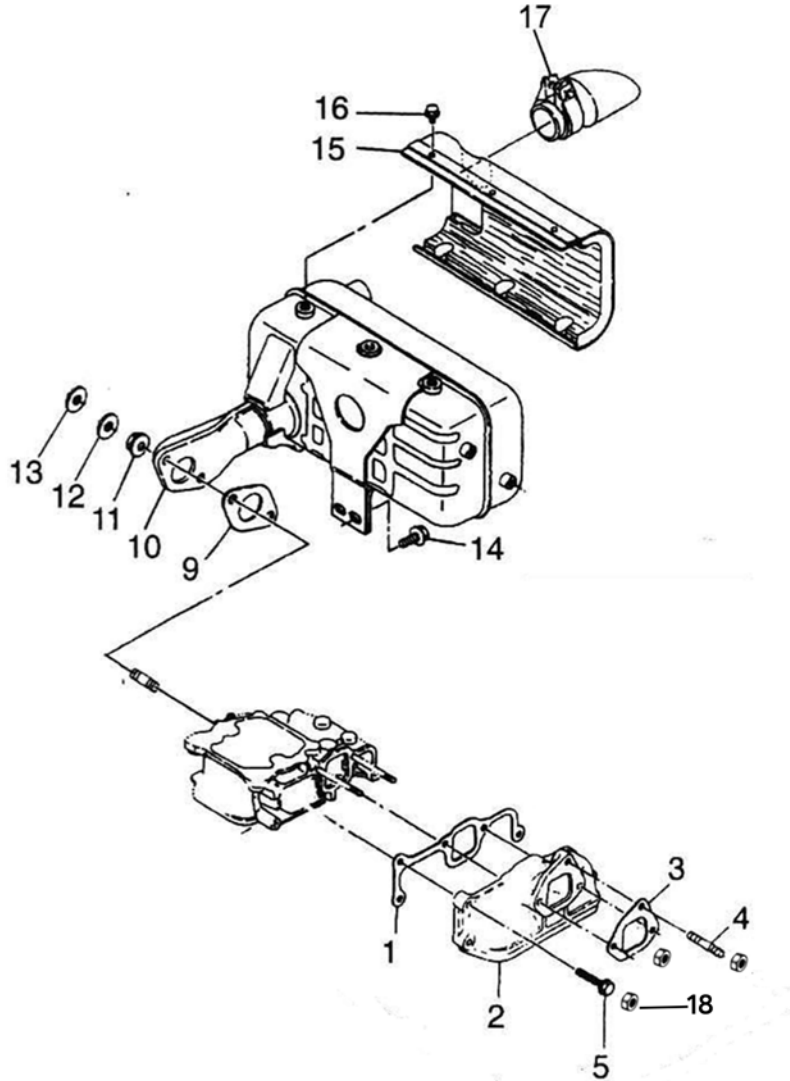
POS.	CODE	DESCRIPTION	QTY
6	A12751	BOLT M6×12	3
7	A12832	OIL PUMP COVER	1
8	A12720	O-RING	1
9	A13233	OIL PUMP	1
10	A12825	RETAINING PIN 3X16	1
11	A12752	BOLT M6X14	1
12	A12883	OIL FILTER CLEANING ELEMENT	1
13	A12719	SEAL RING	1
14	A12864	OIL GUIDE	1
SET 3 (15-17)	A13257	OIL PUMP DRIVING GEAR ASSEMBLY	1
18	A12836	GOVERNOR FORK TAPPET	1
19	A12877	LEVER SHAFT GASKET	1
20	A12849	BEARING	1
21	A13274	FORK LEVER ASSEMBLY	1
22	A12839	WASHER	1
23	A12875	FUEL CONTROLLER	1
24	A12803	HANDLE BRACKET	1
25	A12795	SPEED-CONTROL LEVER	1
26	A12752	BOLT M6X14	1
27	A12752	BOLT M6X14	1
29	A12775	RETURN SPRING II	1
30	A12777	RETURN SPRING I	1
31	A13269	SPEED-CONTROL SPRING	1

A06



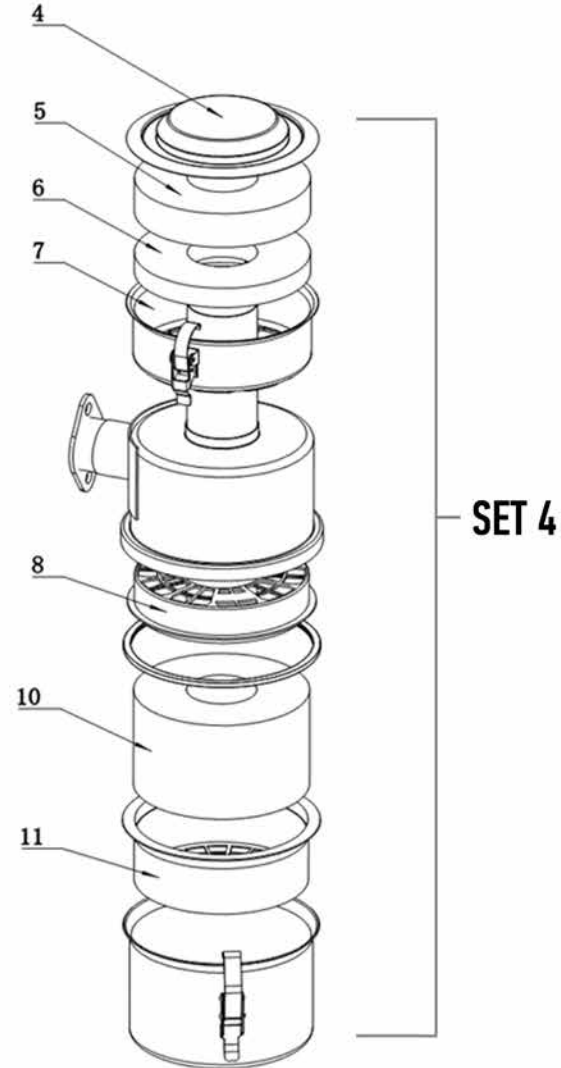
POS.	CODE	DESCRIPTION	QTY
1s	A13350	RECOIL START ASSEMBLY	1
1	A13331	RECOIL CASE ASSEMBLY	1
2	A12748	BOLT M6X8	4
3	A13326	RECOIL STARTER ROPE	1
4	A13349	RECOIL STARTER HANDLE	1
5	A13265	FLAT SPIRACLE SPRING	1
6	A13332	RECOIL REEL	1
7	A13280	STARTING CLAW	1
8	A13266	HELICAL SPRING	1
9	A13267	TORSIONAL SPRING	1
10	A13309	STARTING CLAW PLATE	1
11	A13239	FRICTION PLATE	1
12	A13338	FRICTION PLATE GASKET	1
13	A12843	SPRING WASHER	1
14	A12821	NUT M6	1
15	A12751	BOLT M6x12	3
16	A13281	STARTER	1
17	A13230	WIND LEADING CASE WELDED	1
18	A12746	BOLT M6X22	4
19	A12841	WASHER	4
20	A12734	COLLAR	4
21	A12727	SHOCK ABSORBER	4
22	A13288	SHOCK PADS	2
23	A13312	SHOCK ISOLATION PIECE OF WIND LEADING PLATE	1
24	A13240	COLLAR OF WIND LEADING PLATE	1
25	A13289	PAD	1
26	A13313	WIND LEADING PLATE	1
27	A13249	BOLT M6X18	1

A07



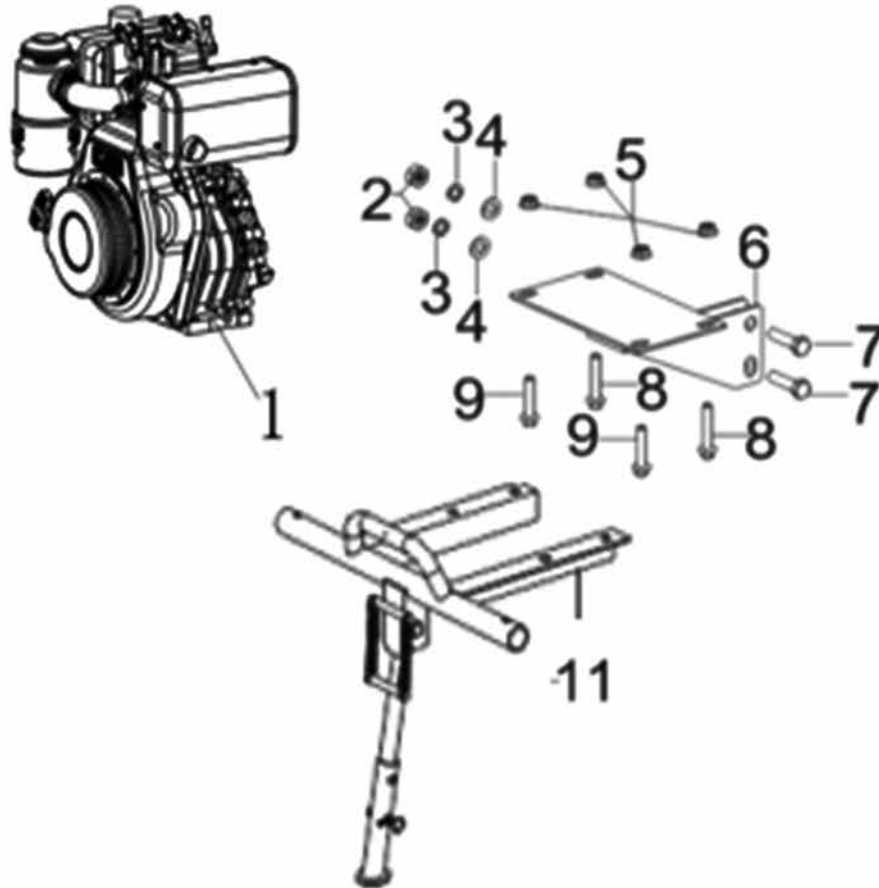
POS.	CODE	DESCRIPTION	QTY
1	A13341	INTAKE PIPE GASKET	1
2	A13263	INTAKE PIPE	1
3	A13348	AIR CLEANER GASKET	1
4	A13298	FASTEN BOLT FOR AIR CLEANER	1
5	A13250	BOLT M6X25	3
9	A13342	MUFFLER GASKET	1
10	A13271	MUFFLER ASSEMBLY	1
11	A12842	FLAT WASHER	2
12	A12758	SPRING WASHER	2
13	A12822	NUT M8	2
14	A13251	BOLT M8X16	2
15	A13314	MUFFLER SCREEN COVER	1
16	A12748	BOLT M6X8	3
17	A13286	MUFFLER TAIL PIPE	1
18	A13302	NUT	3

A08



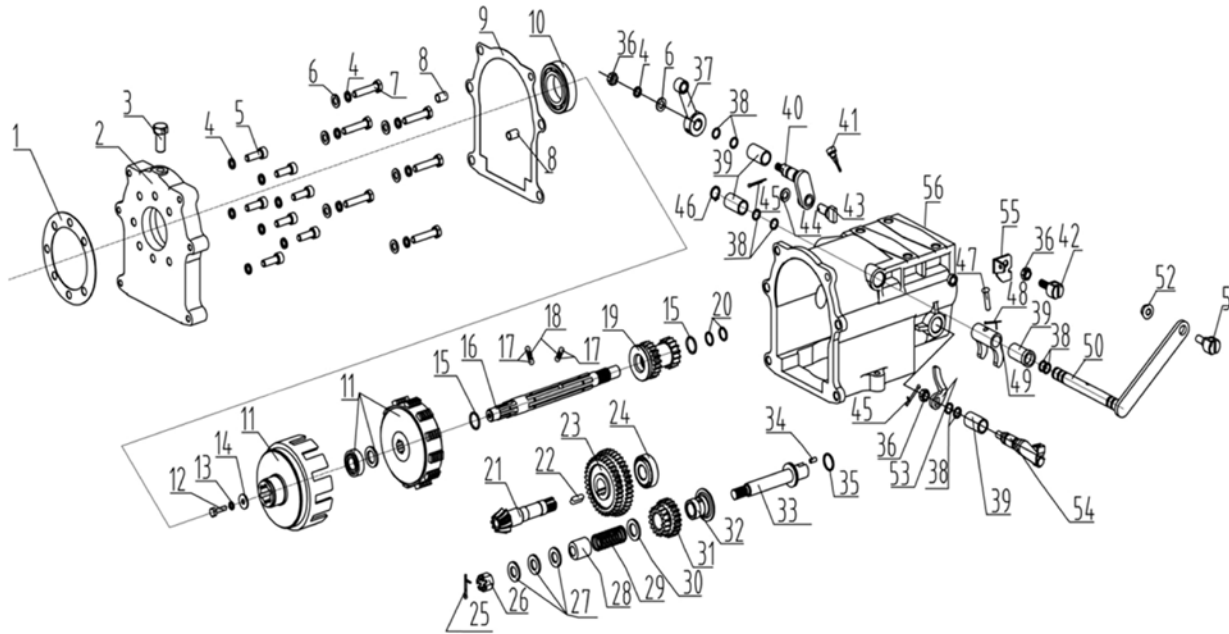
POS.	CODE	DESCRIPTION	QTY
4	A13301	UPPER FILTER COVER	1
5	A13238	UPPER FILTER ELEMENT (FINE)	1
6	A13237	UPPER FILTER ELEMENT (ROUGH)	1
7	A13330	AIR FILTER BODY	1
8	A13236	LOWER FILTER ELEMENT TOP COVER	1
10	A13278	LOWER FILTER ELEMENT	1
11	A13276	LOWER FILTER ELEMENT LOWER COVER	1
SET 4	A13336	AIR FILTER ASSEMBLY	1

E17



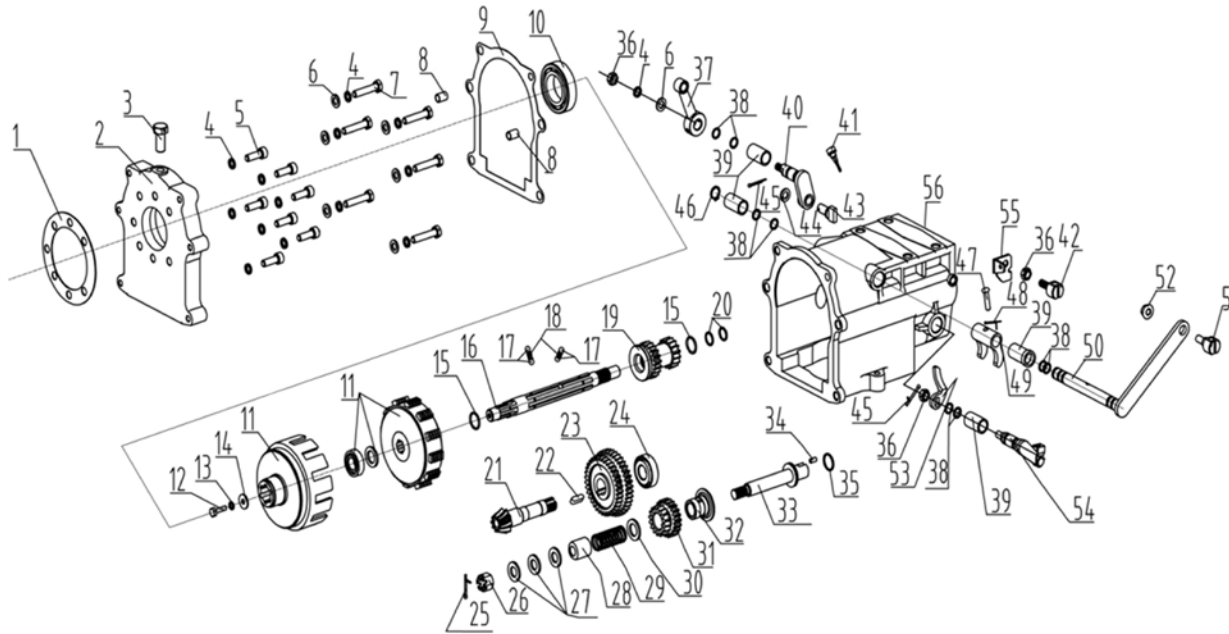
POS.	CODE	DESCRIPTION	QTY
E17-1	A12672	ENGINE	1
E17-2	A05750	HEXAGON NUT	2
E17-3	A09938	FLAT WASHER	2
E17-4	A05768	FLAT WASHER	2
E17-5	A04793	HEXAGON NUT WITH FLANGE	4
E17-6	A12636	ENGINE CONNETING SEAT	1
E17-7	A11350	BOLT	2
E17-8	A11350	BOLT	2
E17-9	A10356	BOLT	2
E17-11	A12697	GUARD	1

F11



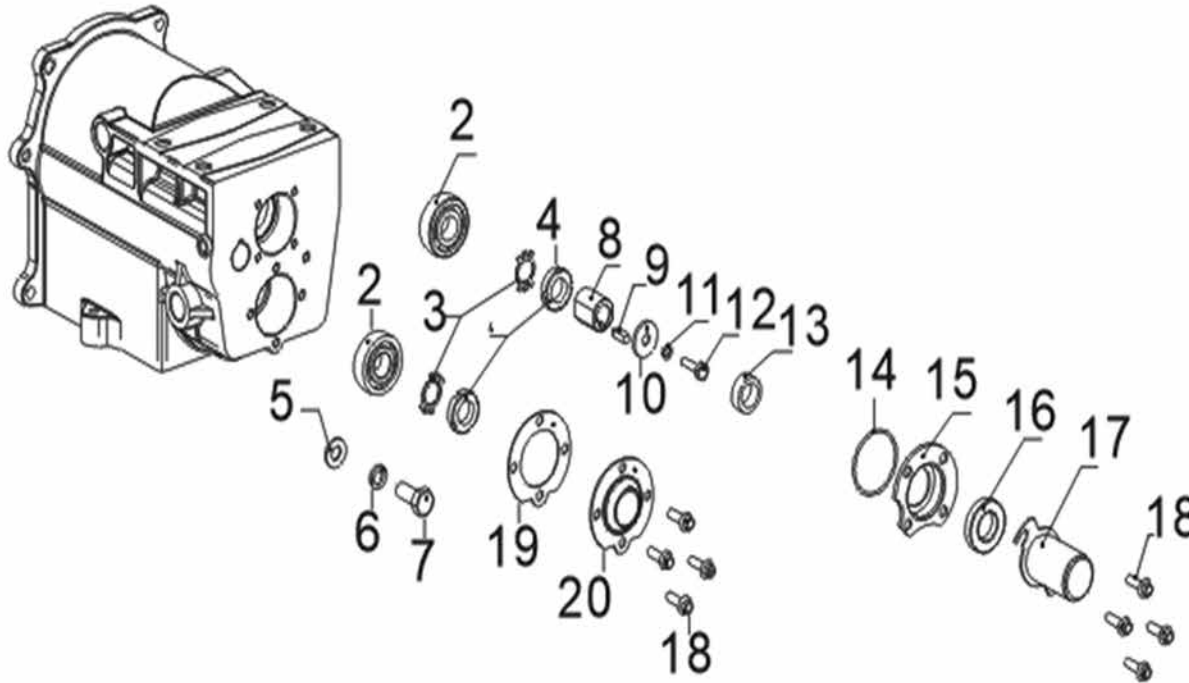
POS.	CODE	DESCRIPTION	QTY
F11-1	A12713	ENGINE SEAL GASKET	1
F11-2	A12711	FLANGE	1
F11-3	A10571	PRESSURE RELIEF BOLT	1
F11-4	A10282	FLAT WASHER	14
F11-5	A10678	HEXAGON SOCKET HEAD CAP SCREW	7
F11-6	A09967	FLAT WASHER	7
F11-7	A11340	HEXAGONAL HEAD BOLT	6
F11-8	A08866	POSITION PIN	2
F11-9	A10302	FLANGE SEAL GASKET	1
F11-10	A11349	DEEP GROOVE BALL BEARING	1
F11-11	A10251	CLUTCH	1
F11-12	A09914	HEXAGONAL HEAD BOLT	1
F11-13	A10603	FLAT WASHER	1
F11-14	A10254	GASKET	1
F11-15	A10255	STILL RING	2
F11-16	A10256	MAIN AXLE	1
F11-17	A10257	STEEL BALL	4
F11-18	A10258	STOPPER SPRING	2
F11-19	A10259	DUPLICATE GEAR	1
F11-20	A10261	O-TYPE RUBBER SEAL RING	2
F11-21	A10262	COUNTERSHAFT	1
F11-22	A10263	FLAT KEY	1
F11-23	A10264	DUPLICATE GEAR	1
F11-24	A10265	TAPERED ROLLER BEARINGS	1
F11-25	A10339	COTTER PIN	1
F11-26	A10340	HEXAGON SLOTTED NUT	1
F11-27	A10268	FLAT WASHER	3
F11-28	A10269	REVERSE GEAR STOP COLLAR	1

F11



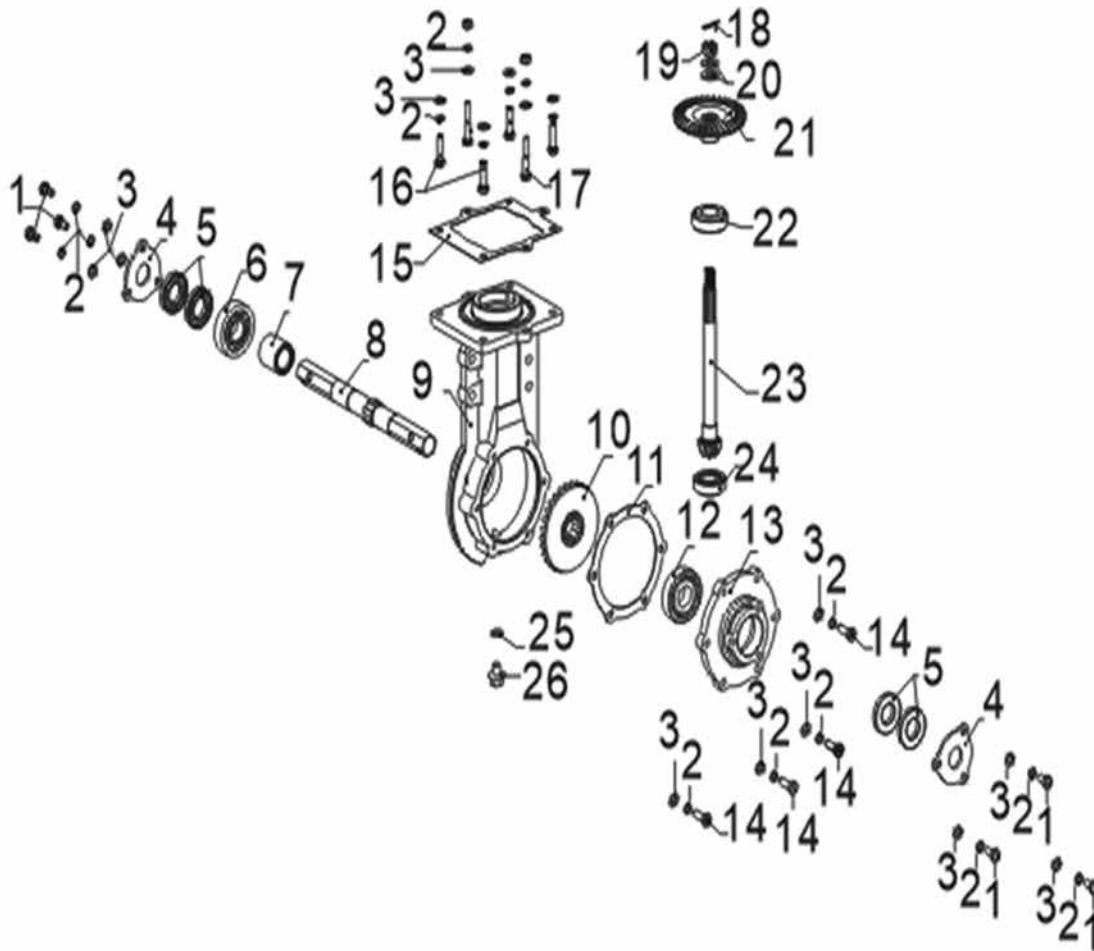
POS.	CODE	DESCRIPTION	QTY
F11-29	A10270	REVERSE GEAR SPRING	1
F11-30	A10272	FLAT WASHER	1
F11-31	A10273	DUPLICATE GEAR	1
F11-32	A10274	REVERSE GEAR COLLAR	1
F11-33	A10275	REVERSE GEAR SHAFT	1
F11-34	A10575	PIN	1
F11-35	A10277	O-TYPE RUBBER SEAL RING	1
F11-36	A10278	HEXAGON NUT	2
F11-37	A10279	SHIFT ARM	1
F11-38	A10280	O-TYPE RUBBER SEAL RING	8
F11-39	A10281	BUSH	4
F11-40	A10283	SHIFTS FORK	1
F11-41	A10284	DIPSTICK SUBASSEMBLY, OIL	1
F11-42	A10285	INHAUL CABLE BASE	1
F11-43	A10286	SHIFTS FORK	1
F11-44	A05768	FLAT WASHER	1
F11-45	A10287	COTTER PIN	2
F11-46	A10288	CIRCLIP FOR SHAFT	1
F11-47	A12687	PIN	1
F11-48	A09956	COTTER PIN	1
F11-49	A10290	FORK, SHIFTS	1
F11-50	A10292	SHIFTS FORK	1
F11-51	A10293	INHAUL CABLE BASE	1
F11-52	A10294	HEXAGON NUT WITH FLANGE	1
F11-53	A10295	SHIFTS FORK	1
F11-54	A10296	SHIFTS FORK	1
F11-55	A10297	INHAUL CABLE BASE	1
F11-56	A13294	TRANSMISSION BOX	1

F10



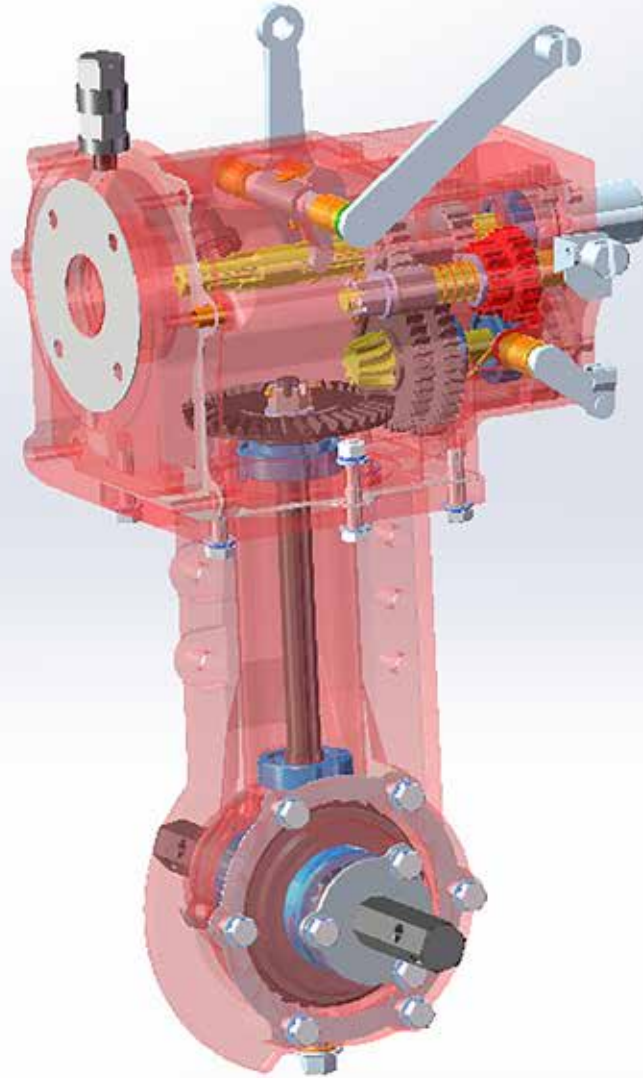
POS.	CODE	DESCRIPTION	QTY
F10-2	A09989	DEEP GROOVE BALL BEARING	2
F10-3	A12693	LOCK WASHER FOR ROUND NUTS	2
F10-4	A12686	SMALL ROUND NUT	2
F10-5	A05768	FLAT WASHER	1
F10-6	A09938	FLAT WASHER	1
F10-7	A11347	HEXAGONAL HEAD BOLT	1
F10-8	A10328	FLAT KEY SET	1
F10-9	A12702	FLAT KEY	1
F10-10	A10254	GASKET	1
F10-11	A10253	FLAT WASHER	1
F10-12	A09914	HEXAGONAL HEAD BOLT	1
F10-13	A10315	BUSH	1
F10-14	A10316	O-TYPE RUBBER SEAL RING	1
F10-15	A10317	MAIN SHAFT GLAND	1
F10-16	A10318	OIL SEAL	1
F10-17	A10319	MAIN SHAFT SAFETY GUARD	1
F10-18	A04813	BOLT	8
F10-19	A10321	COUNTERSHAFT END COVER SEALING GASKET	1
F10-20	A10322	COUNTERSHAFT END COVER	1

F13



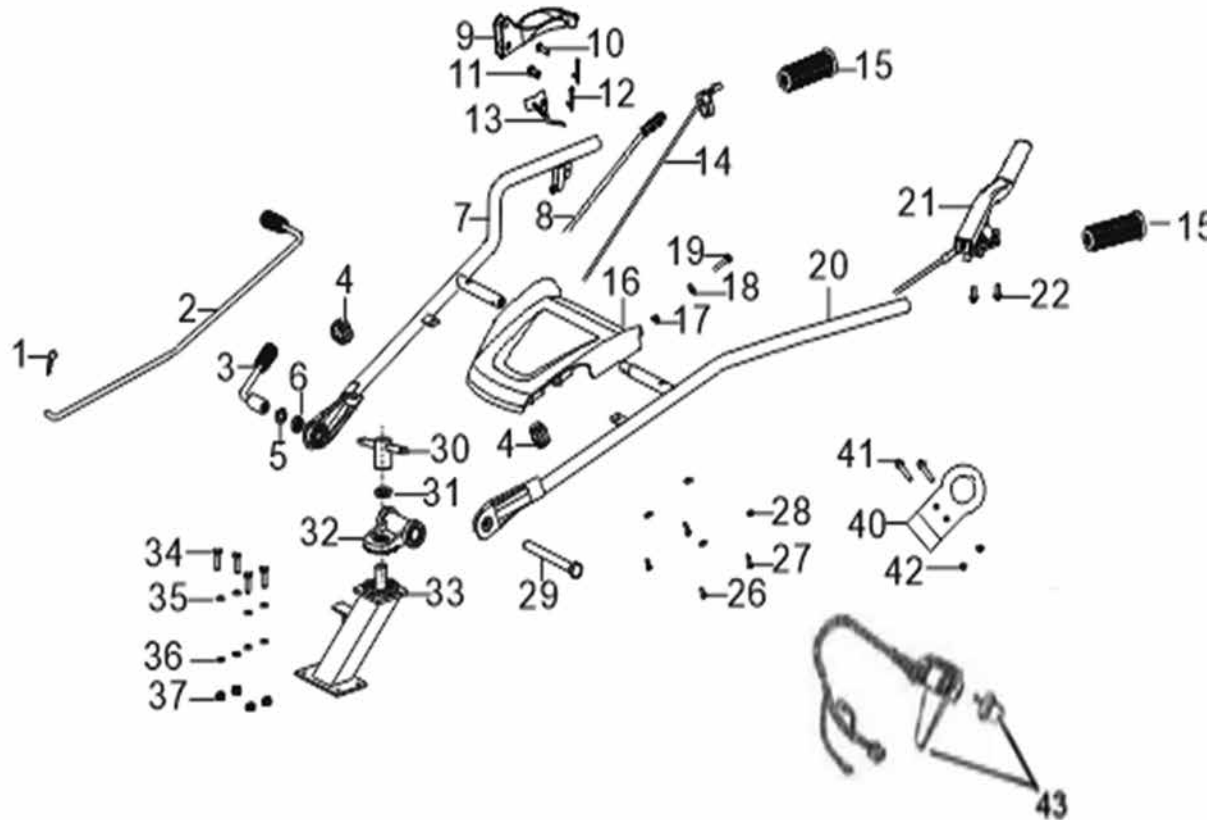
POS.	CODE	DESCRIPTION	QTY
F13-1	A10621	HEXAGONAL HEAD BOLT	6
F13-2	A10282	FLAT WASHER	18
F13-3	A09967	FLAT WASHER	18
F13-4	A10348	OUTPUT SHAFT DUST-PROOF COVER	2
F13-5	A10349	OIL SEAL	4
F13-6	A10350	DEEP GROOVE BALL BEARING	1
F13-7	A10351	BUSH	1
F13-8	A10352	OUTPUT SHAFT	1
F13-9	A12705	BOX BODY TRANSMISSION	1
F13-10	A10331	TRANSPORTATION BEVEL GEAR	1
F13-11	A12712	TRANSMISSION BOX COVER GASKET	1
F13-12	A10333	TAPERED ROLLER BEARINGS	1
F13-13	A12665	TRANSMISSION BOX COVER	1
F13-14	A12643	HEXAGONAL HEAD BOLT	6
F13-15	A10336	MOULD ASSEMBLING SEAL GASKET	1
F13-16	A10337	HEXAGONAL HEAD BOLT	4
F13-17	A10338	HEXAGONAL HEAD BOLT	2
F13-18	A10339	COTTER PIN	1
F13-19	A10340	HEXAGON SLOTTED NUT	1
F13-20	A10268	FLAT WASHER	2
F13-21	A10343	DRIVEN BEVEL GEAR	1
F13-22	A10344	TAPERED ROLLER BEARINGS	1
F13-23	A10345	TRANSPORTATION BEVEL GEAR SHAFT	1
F13-24	A10346	TAPERED ROLLER BEARINGS	1
F13-25	A10347	O-TYPE RUBBER SEAL RING	1
F13-26	A10620	DRAIN PLUG BOLT	1

F19



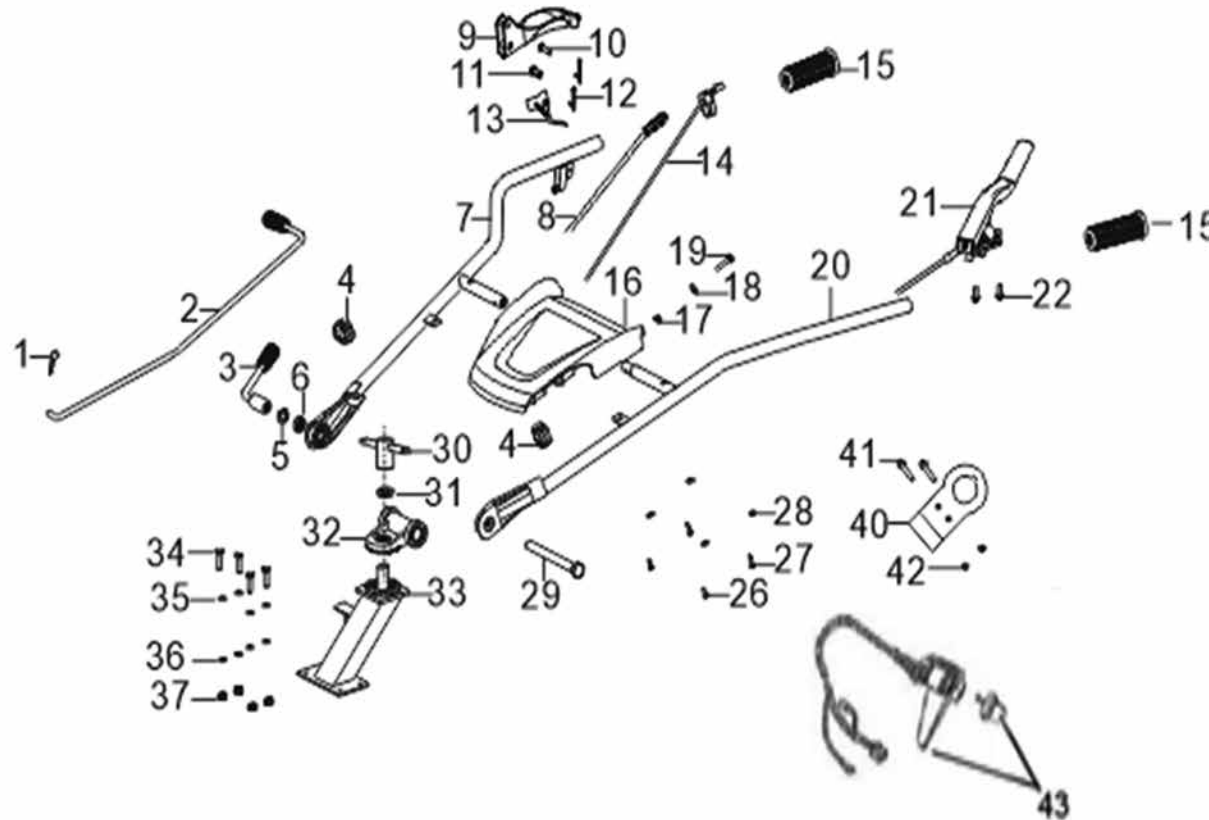
POS.	CODE	DESCRIPTION	QTY
F19-1	A12696	TRANSMISSION BOX ASSEMBLY	1

W05



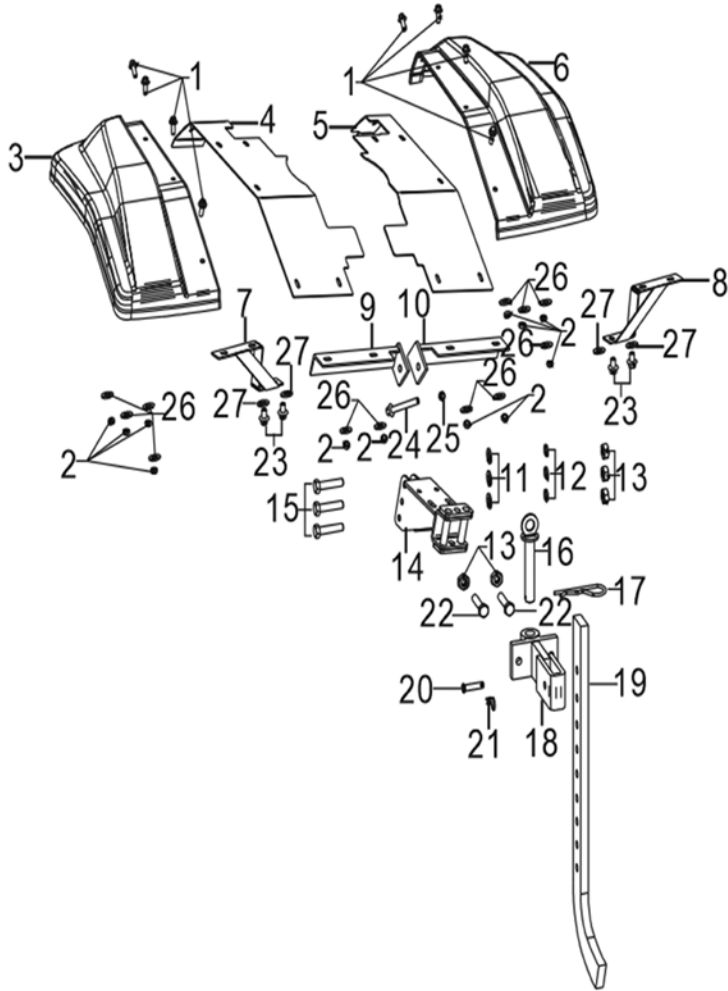
POS.	CODE	DESCRIPTION	QTY
W05-1	A05748	SOCKET	1
W05-2	A12680	GEAR LEVER	1
W05-3	A09965	LOCK HANDLE	1
W05-4	A09964	WIRE CLIP	2
W05-5	A09966	FLAT WASHER	1
W05-6	A10646	FLAT WASHER	1
W05-7	A10305	HANDLE TUBE ASSY	1
W05-8	A10647	REVERSE GEAR CABLE	1
W05-9	A12678	CLUTCH HANDLE	1
W05-10	A10311	PIN SHAFT	1
W05-11	A10289	PIN SHAFT	1
W05-12	A10287	COTTER PIN	2
W05-13	A10312	REVERSE GEAR STOPPER SEAT	1
W05-14	A12716	THROTTLE COCK ASSEMBLY	1
W05-15	A09942	HANDLE RUBBER SLEEVE	2
W05-16	A09943	PANEL	1
W05-17	A09944	NUT	1
W05-18	A09945	FLAT WASHER	1
W05-19	A10680	HEXAGONAL HEAD BOLT	1
W05-20	A10314	HANDLE TUBE ASSY	1
W05-21	A12676	FORWARD CLUTCH HANDLE ASSEMBLY	1
W05-22	A04813	BOLT	2
W05-26	A10681	SCREW	2
W05-27	A11345	SCREW	2
W05-28	A13105	FLAT WASHER	4
W05-29	A11344	HEXAGONAL HEAD BOLT	1
W05-30	A10641	LOCK HANDLE	1
W05-31	A10642	FLAT WASHER	1

W05



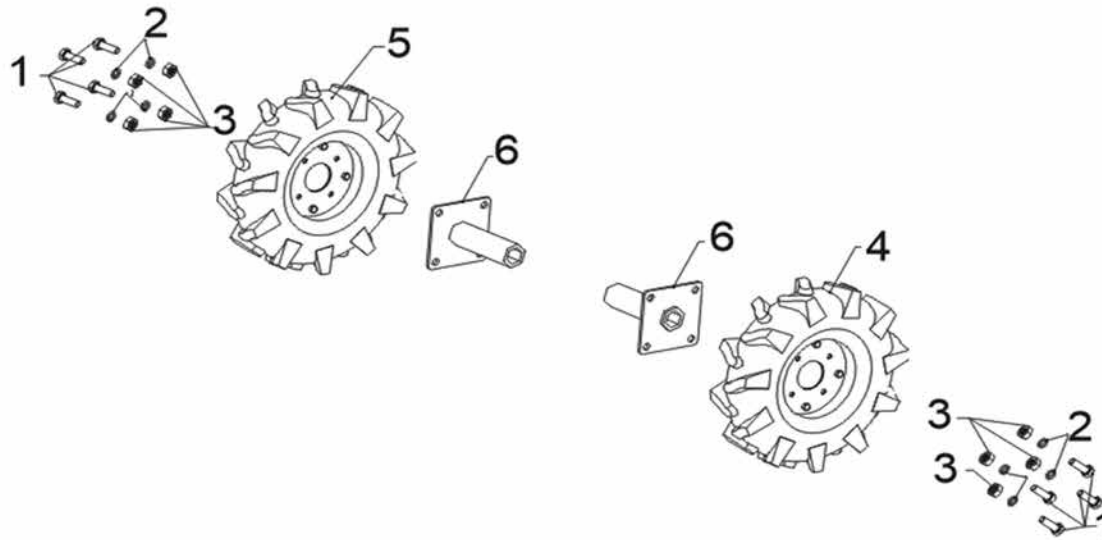
POS.	CODE	DESCRIPTION	QTY
W05-32	A10643	TOOTH DISK PLATE	1
W05-33	A10644	ARMREST ASSEMBLY	1
W05-34	A10652	BOLT	4
W05-35	A05768	FLAT WASHER	4
W05-36	A09938	FLAT WASHER	4
W05-37	A05750	HEXAGON NUT	4
W05-40	A12633	FIXING PLATE	1
W05-41	A08639	BOLT	2
W05-42	A05751	NUT	2
W05-43	A13261	START SWITCH ASSEMBLY	1

W06



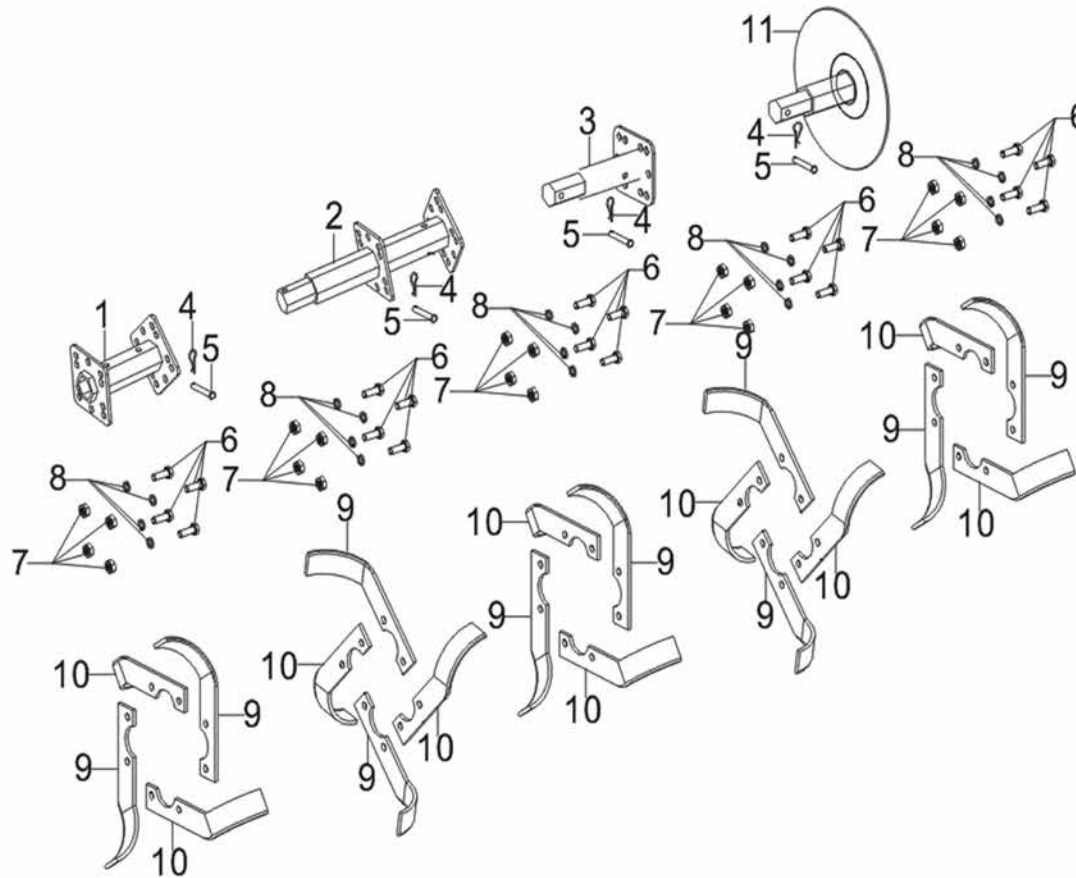
POS.	CODE	DESCRIPTION	QTY
W07-1	A04813	BOLT	12
W07-2	A05751	NUT	12
W07-3	A10653	MINI-TILLER FENDER	1
W07-4	A10654	MINI-TILLER FENDER	1
W07-5	A10655	MINI-TILLER FENDER	1
W07-6	A10656	MINI-TILLER FENDER	1
W07-7	A10657	FRONT FENDER SUPPORT	1
W07-8	A10658	FRONT FENDER SUPPORT	1
W07-9	A10659	REAR FENDER SUPPORT	1
W07-10	A10649	REAR FENDER SUPPORT	2
W07-11	A05768	FLAT WASHER	3
W07-12	A09938	STANDARD SPRING WASHER	3
W07-13	A05750	HEXAGON NUT	5
W07-14	A10650	TRAILING BODY	1
W07-15	A05680	HEXAGONAL HEAD BOLT	3
W07-16	A10357	PIN SHAFT	1
W07-17	A05679	R PIN	1
W07-18	A10651	CONNECTION FRAME	1
W07-19	A05707	DAMPING ARM	1
W07-20	A06140	PIN SHAFT	1
W07-21	A05748	R PIN	1
W07-22	A11350	HEXAGONAL HEAD BOLT	2
W07-23	A04783	BOLT	4
W07-24	A10652	BOLT	1
W07-25	A04793	HEXAGON NUT WITH FLANGE	1
W07-26	A05640	WASHER	12
W07-27	A09945	FLAT WASHER	4

W07



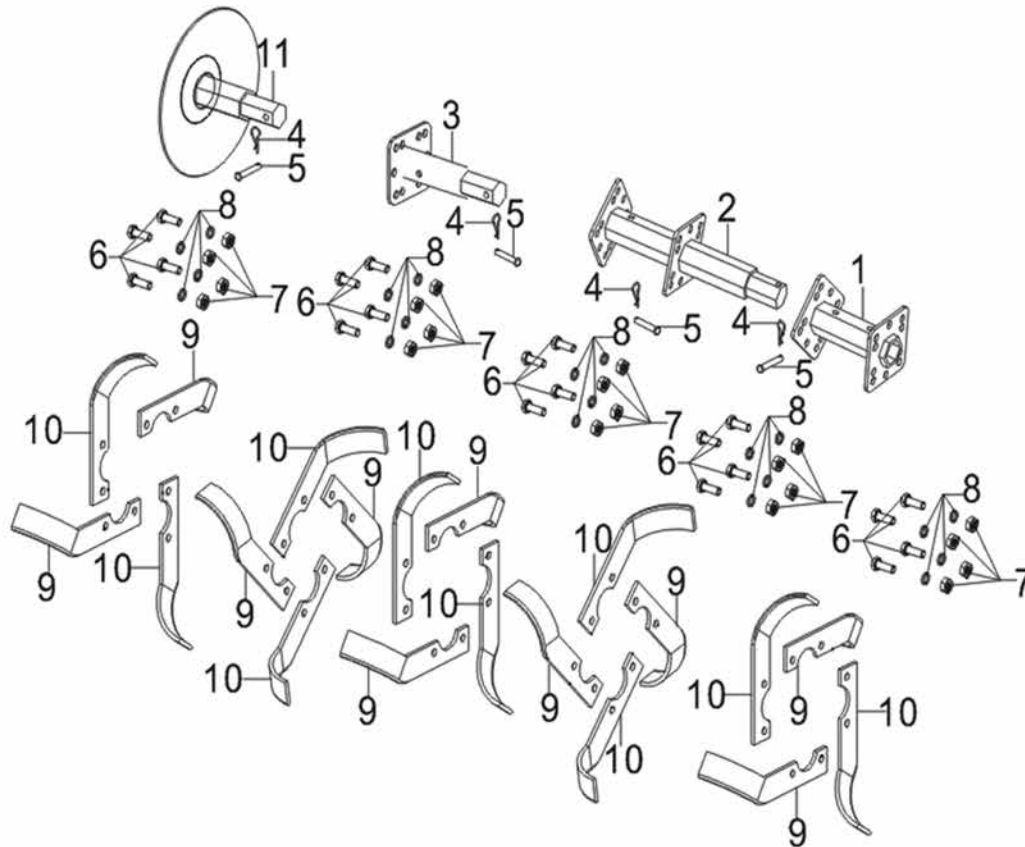
POS.	CODE	DESCRIPTION	QTY
W07-1	A11347	HEXAGONAL HEAD BOLT	8
W07-2	A09938	FLAT WASHER	8
W07-3	A05750	HEXAGON NUT	8
W07-4	A10366	TRANSPORTION WHEEL	1
W07-5	A10367	TRANSPORTION WHEEL	1
W07-6	A10648	REAR WHEEL SHAFT	2

W08



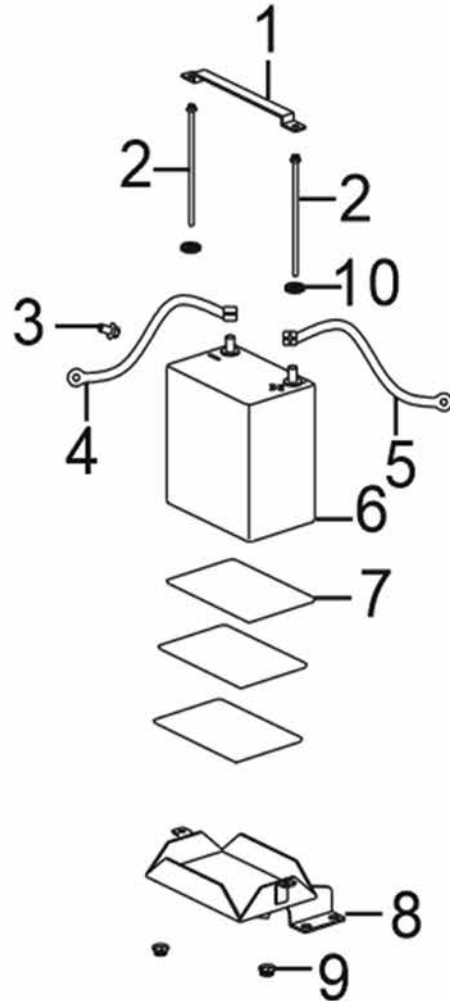
POS.	CODE	DESCRIPTION	QTY
W08-1	A10664	CYLINDER	1
W08-2	A12638	CYLINDER	1
W08-3	A10665	CYLINDER	1
W08-4	A10662	PIN SHAFT	4
W08-5	A05748	SOCKET	4
W08-6	A10354	HEXAGONAL HEAD BOLT	20
W08-7	A05750	HEXAGON NUT	20
W08-8	A09938	FLAT WASHER	20
W08-9	A05906	ROTARY BLADE	10
W08-10	A05954	ROTARY BLADE	10
W08-11	A10660	TRIMMING WHEEL	1

W09



POS.	CODE	DESCRIPTION	QTY
W09-1	A10664	CYLINDER	1
W09-2	A12638	CYLINDER	1
W09-3	A10665	CYLINDER	1
W09-4	A10662	PIN SHAFT	4
W09-5	A05748	SOCKET	4
W09-6	A10354	HEXAGONAL HEAD BOLT	20
W09-7	A05750	HEXAGON NUT	20
W09-8	A09938	FLAT WASHER	20
W09-9	A05906	ROTARY BLADE	10
W09-10	A05954	ROTARY BLADE	10
W09-11	A10660	TRIMMING WHEEL	1

W10



POS.	CODE	DESCRIPTION	QTY
W10-1	A12674	BATTERY CLAMP	1
W10-2	A12646	BOLT	2
W10-3	A04783	BOLT	1
W10-4	A12661	MOTOR WIRES	1
W10-5	A12662	MOTOR WIRES	1
W10-6	A12683	BATTERY	1
W10-7	A12714	BATTERY GASKET	3
W10-8	A12658	BATTERY CASE	1
W10-9	A05751	NUT	2
W10-10	A05751	NUT	2