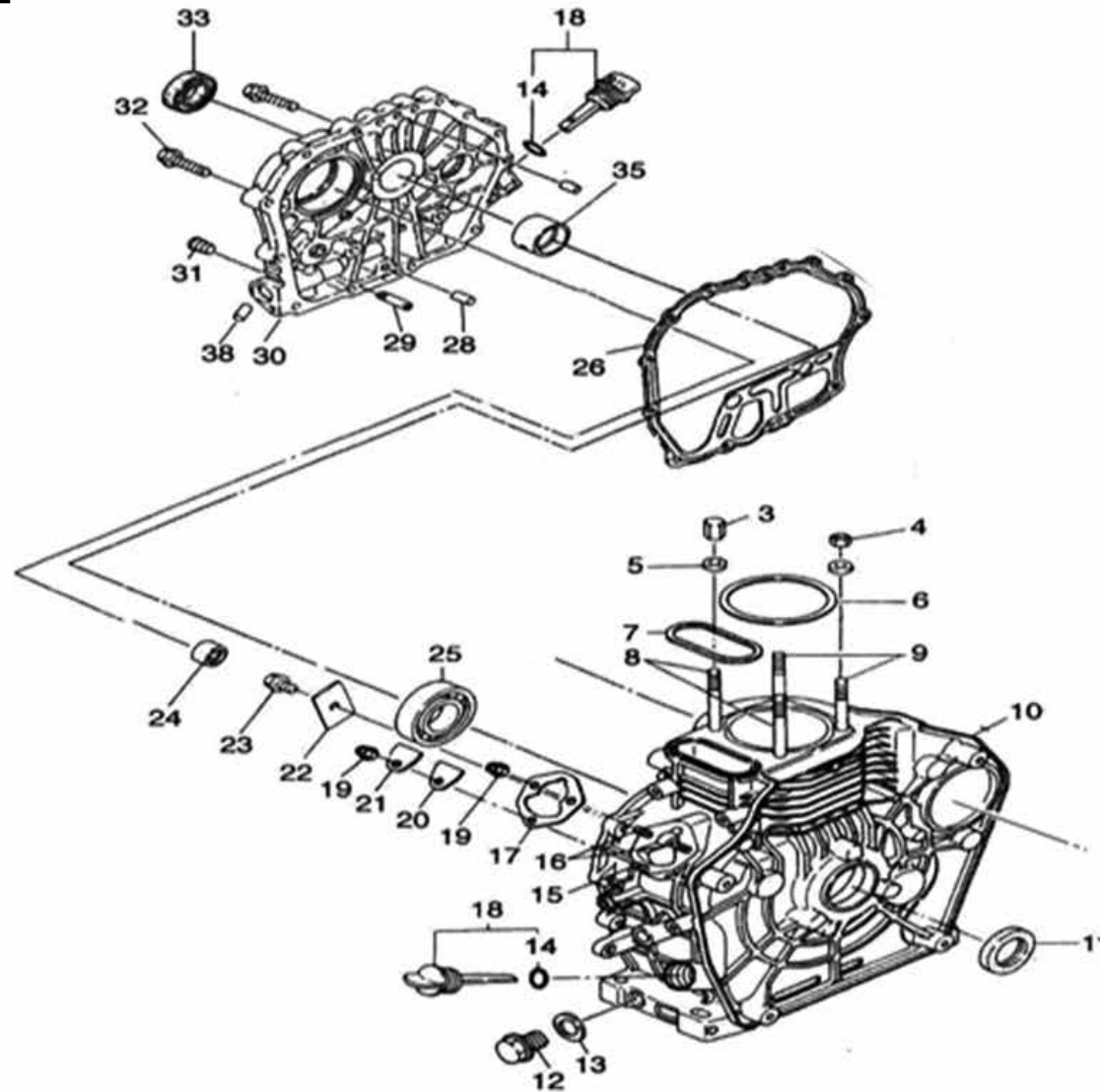
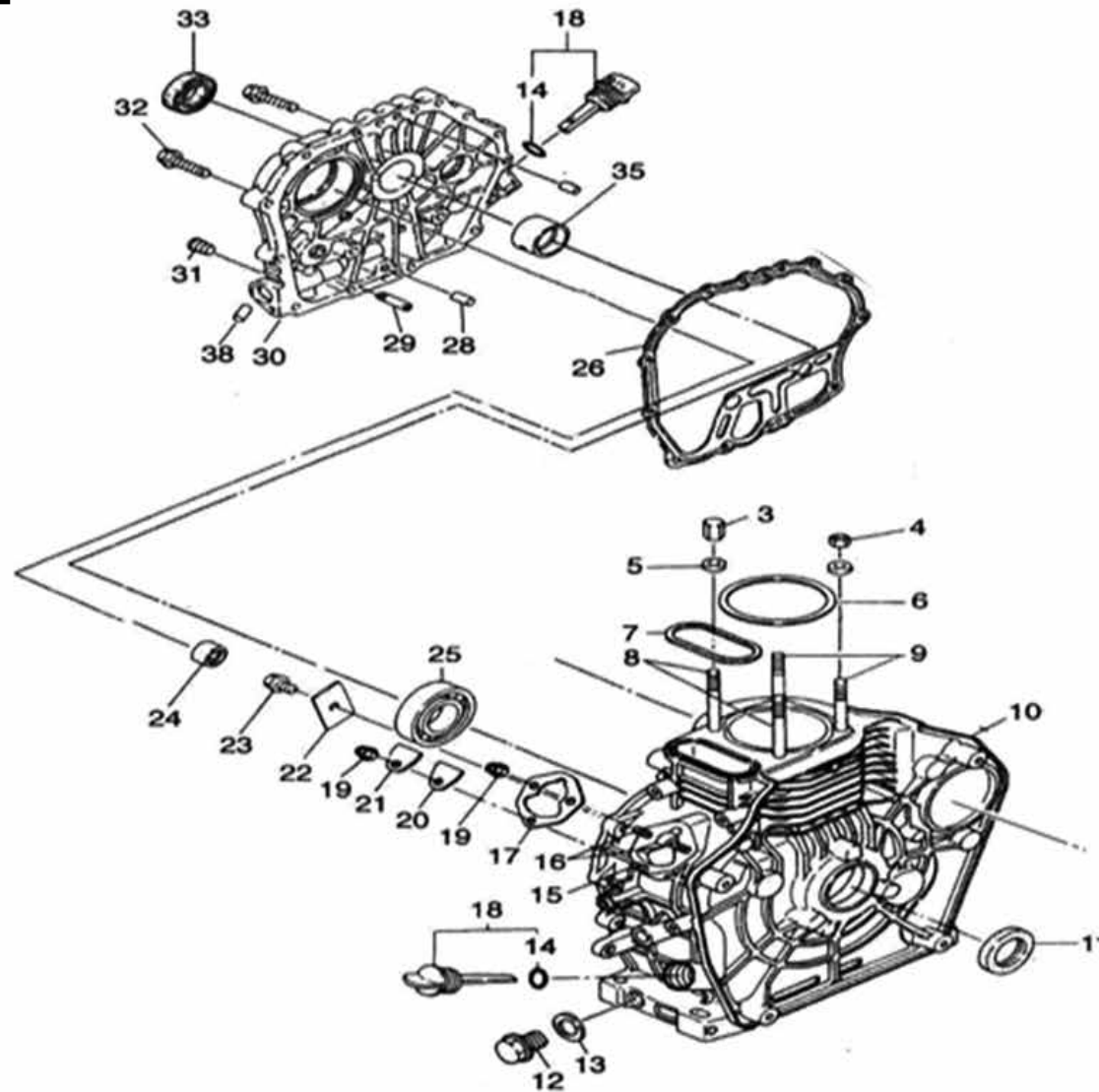


A01



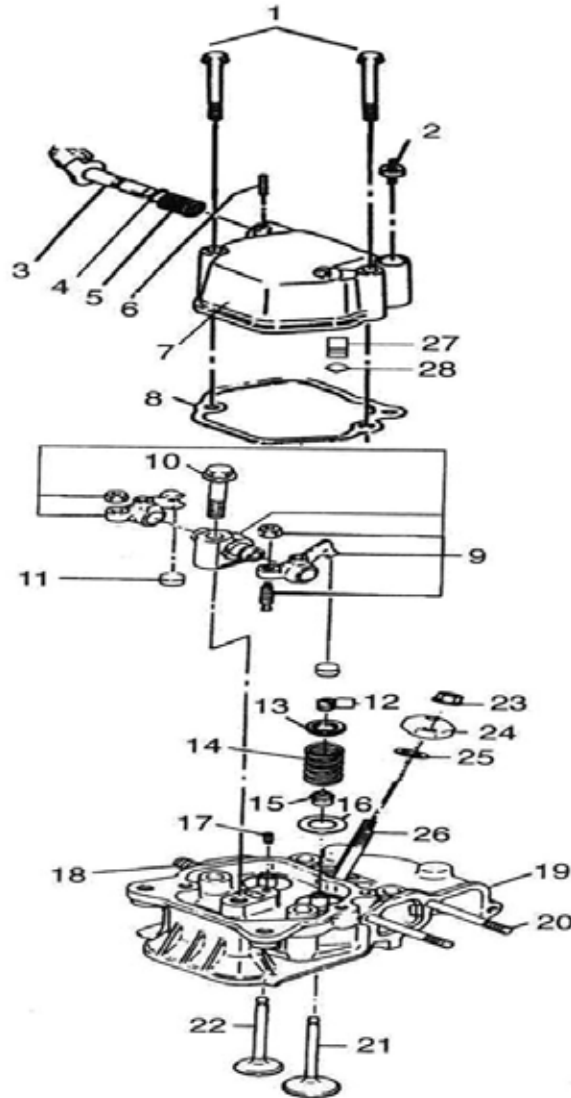
POS.	CODE	DESCRIPTION	QTY
3	A12820	CYLINDER HEAD NUTS (LONG)	2
4	A12818	CYLINDER HEAD NUTS (SHORT)	2
5	A12847	CYLINDER HEAD NUT GASKET	4
6	A12892	CYLINDER HEAD GASKET 0.3mm	1
	A12893	CYLINDER HEAD GASKET 0.4mm	1
	A12894	CYLINDER HEAD GASKET 0.5mm	1
7	A12801	RECTANGLE RING GASKET	1
8	A12813	CYLINDER HEAD BOLTS (LONG)	2
9	A12807	CYLINDER HEAD BOLTS (SHORT)	2
10	A12797	CYLINDER BLOCK	1
11	A12880	REAR OIL SEAL 30X45X8	1
12	A12873	OIL DRAIN PLUG	1
13	A12901	OIL DRAIN PLUG GASKET	1
14	A12722	O-RING FOR OIL DIPSTICK	2
15	A12808	FUEL INJECTION PUMP FASTENING BOLT (SHORT)	1
16	A12809	FUEL INJECTION PUMP FASTENING BOLT (LONG)	2
17	A12897	FUEL INJECTOR ADJUSTING GASKET 0.1mm	1
	A12898	FUEL INJECTOR ADJUSTING GASKET 0.2mm	1
	A12899	FUEL INJECTOR ADJUSTING GASKET 0.3mm	1
18	A12765	OIL DIPSTICK	2
19	A12824	HETEROTYPIC NUT M6	2
20	A12885	SEALING PLATE GASKET	1
21	A12829	SEALING PLATE	1
22	A12830	THRUST PIECE	1

A01



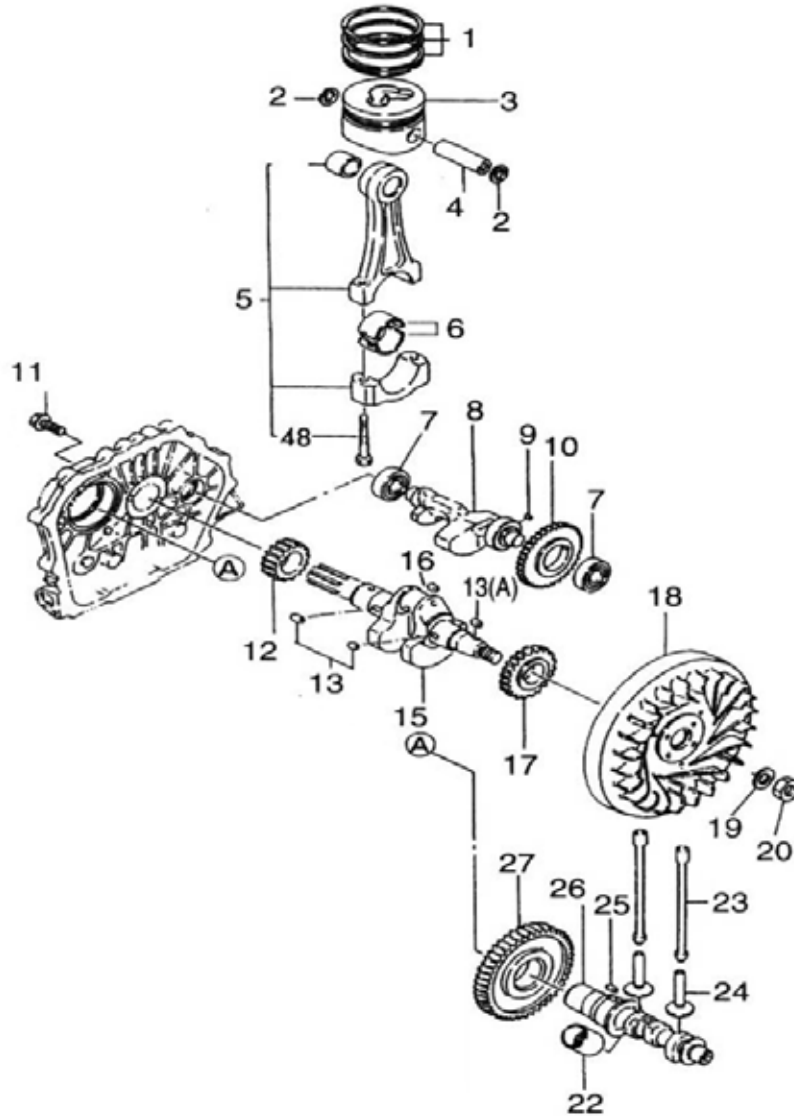
POS.	CODE	DESCRIPTION	QTY
23	A12753	BOLT M8X16	1
24	A12740	NEEDLE BEARING	1
25	A12851	BALL BEARING 306	1
26	A12890	CRANKCASE COVER GASKET	1
28	A12827	RETAINING PIN 8X12	2
29	A12864	OIL GUIDE	1
30	A12782	CRANKCASE COVER	1
31	A12853	INNER HEXAGON PLUG G1/8"	1
32	A12754	HEXAGON FLANGE BOLT M8X30	6
33	A12878	FRONT OIL SEAL 25X42X10	1
35	A12798	MAIN BUSHING	1
38	A12871	ALUMINUM PLUG	1

A02



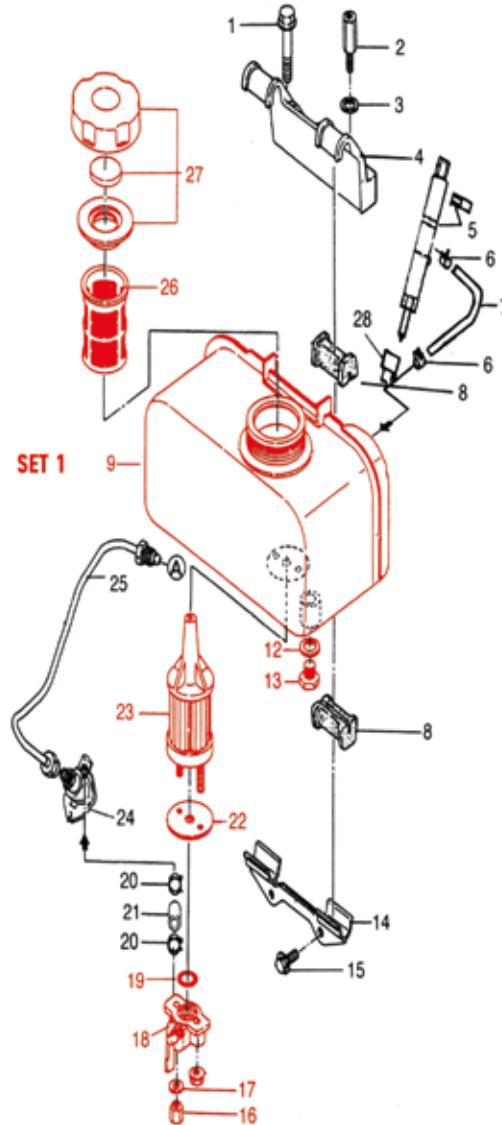
POS.	CODE	DESCRIPTION	QTY
1	A12749	FLANGED BOLT M6X55	2
2	A12869	OILING SCREW PLUG	1
3	A12732	DECOMPRESSION SHAFT	1
4	A12721	O-RING	1
5	A12773	DECOMPRESSION SHAFT SPRING	1
6	A12825	RETAINING PIN 3X16	1
7	A12784	CYLINDER HEAD COVER	1
8	A12891	CYLINDER HEAD COVER GASKET	1
9	A12794	ROCKER ARM	1
10	A12756	ROCKER ARM SHAFT FASTENING BOLT	1
11	A12733	ADJUSTING VALVE SPACER	1
12	A12735	VALVE CLIP	2
13	A12767	VALVE SPRING SEAT	2
14	A12774	VALVE SPRING	2
15	A12879	VALVE GUIDE OIL SEAL	1
16	A12844	VALVE SPRING WASHER	1
17	A12826	PIN 4X8	1
18	A12812	DOUBLE ENDED STUD	2
19	A12792	CYLINDER HEAD	1
20	A12810	DOUBLE ENDED BOLT	2
21	A12737	INTAKE VALVE	1
22	A12738	EXHAUST VALVE	1
23	A12824	HETEROTYPIC NUT M6	1
24	A12833	FUEL INJECTOR PRESSURE PLATE	1
25	A12896	FUEL INJECTOR ADJUSTING GASKET	1
26	A12814	FASTENED BOLT OF FUEL INJECTOR	1
27	A12725	BREATHER ASSEMBLY	1
28	A12718	O-RING	1

A03



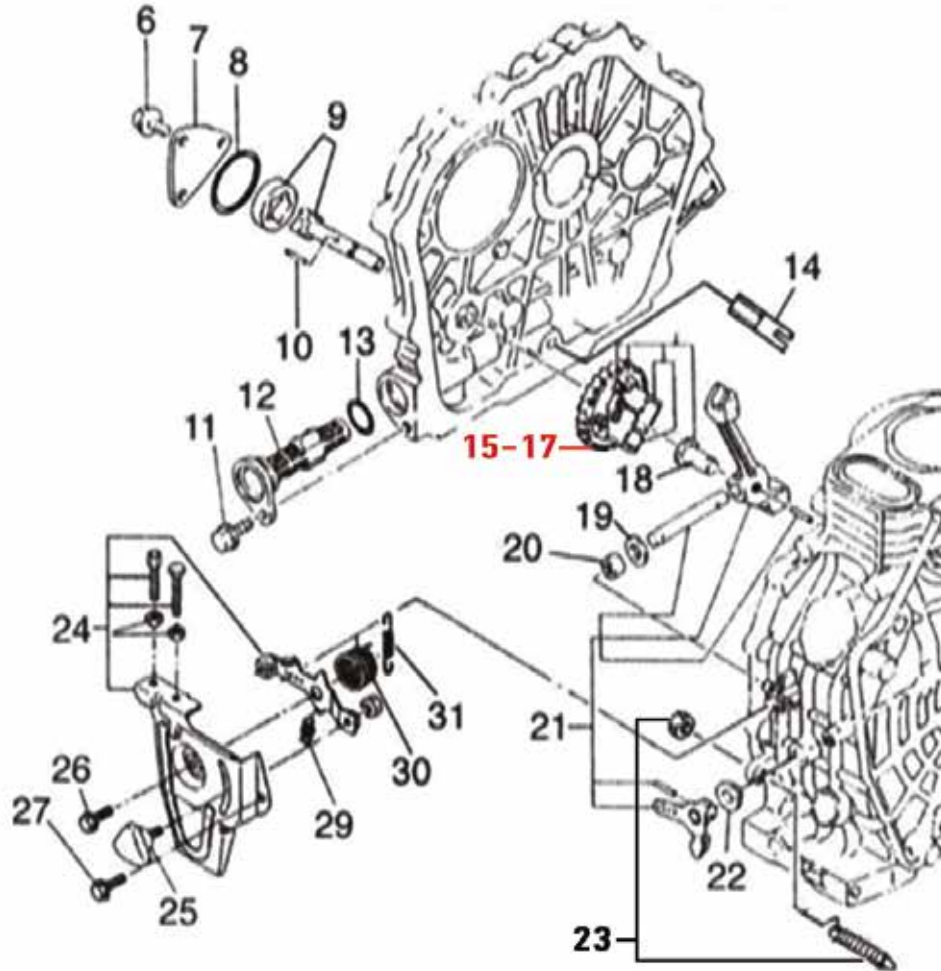
POS.	CODE	DESCRIPTION	QTY
1	A12852	PISTON RING SET	1
2	A12736	RETAINER CLIP OF PISTON PIN	2
3	A12779	PISTON	1
4	A12828	PISTON PIN	1
5	A12805	CONNECTING ROD BODY	1
6	A12799	CONNECTING ROD BUSH	2
7	A12850	BEARING	2
8	A12726	BALANCING SHAFT	1
9	A12859	KEY 5X7	1
10	A12761	BALANCING SHAFT TIMING GEAR	1
11	A12742	BOLT	1
12	A12763	CRANKSHAFT TIMING GEAR	1
13	A12855	KEY 5X12	2
13A	A12856	KEY 5X14	1
15	A12854	SPLINE CRANKSHAFT	1
16	A12806	STEEL BALL Ø6.25	1
17	A12760	BALANCING SHAFT DRIVING GEAR	1
18	A12757	FLYWHEEL	1
19	A12845	FLYWHEEL NUT GASKET	1
20	A12823	FLYWHEEL NUT	1
22	A12835	SLEEVE OF FUEL PUMP ROD	1
23	A12905	PUSH ROD	2
24	A12837	TAPPET	2
25	A12857	KEY 5X14	1
26	A12769	CAMSHAFT	1
27	A12770	CAMSHAFT TIMING GEAR	1

A04



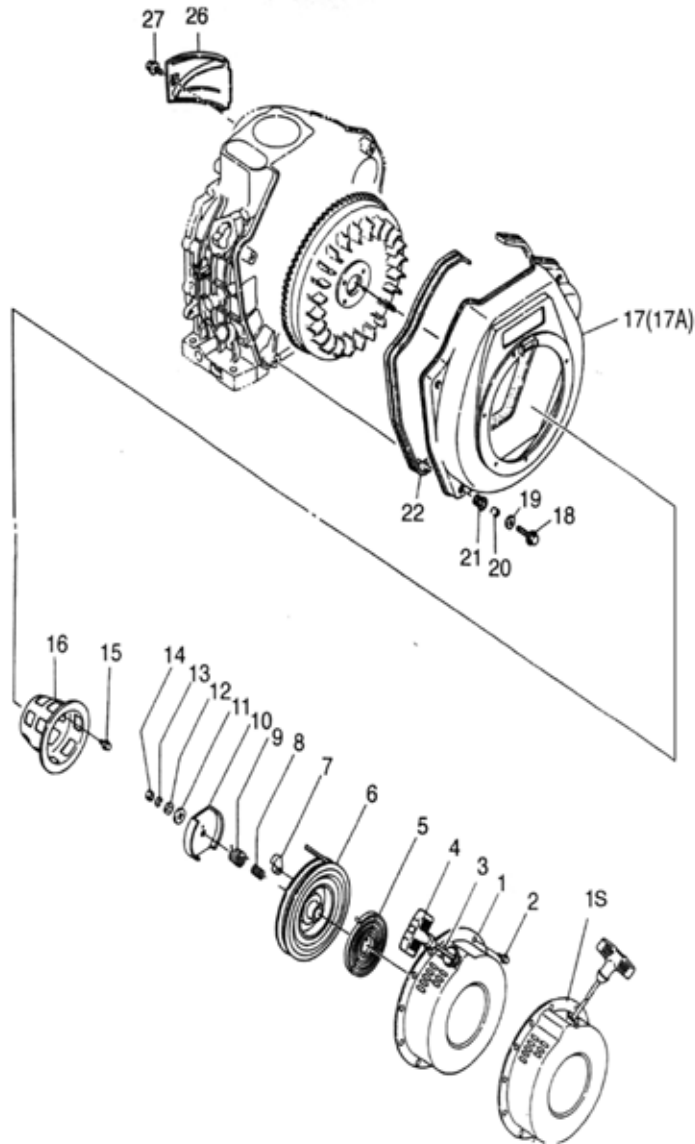
POS.	CODE	DESCRIPTION	QTY
1	A12755	BOLT M8X45	1
2	A12741	UPPER FUEL TANK BRACKET FASTENING BOLT	1
3	A12842	FLAT WASHER	1
4	A12739	UPPER FUEL TANK BRACKET	1
5	A12804	INJECTOR	1
6	A12861	FUEL LEAK-OFF PIPE CONNECTING	2
7	A12866	FUEL LEAK-OFF PIPE	1
8	A12728	SHOCK ABSORBING PAD OF FUEL TANK	2
SET 1	A12815	FUEL TANK ASSEMBLY	1
12	A12900	FUEL DRAIN GASKET	1
13	A12872	FUEL DRAIN PLUG	1
14	A12786	LOWER FUEL TANK BRACKET	1
15	A12752	BOLT M6X14	2
16	A12824	NUT M6	1
17	A12840	FLAT WASHER	1
18	A12766	FUEL TANK COCK ASSEMBLY	1
19	A12723	GASKET OF FUEL TANK COCK	1
20	A12862	FUEL PIPE CLAMP	2
21	A12865	FUEL PIPE	1
22	A12903	FUEL FILTER GASKET	1
23	A12884	FUEL FILTER ELEMENT	1
24	A12730	FUEL INJECTOR PUMP	1
25	A12867	HIGH PRESSURE FUEL PIPE	1
26	A12881	FUEL OIL FILTER	1
27	A12874	FUEL TANK CAP ASSEMBLY	1
28	A12870	FUEL INJECTOR CAP	1

A05



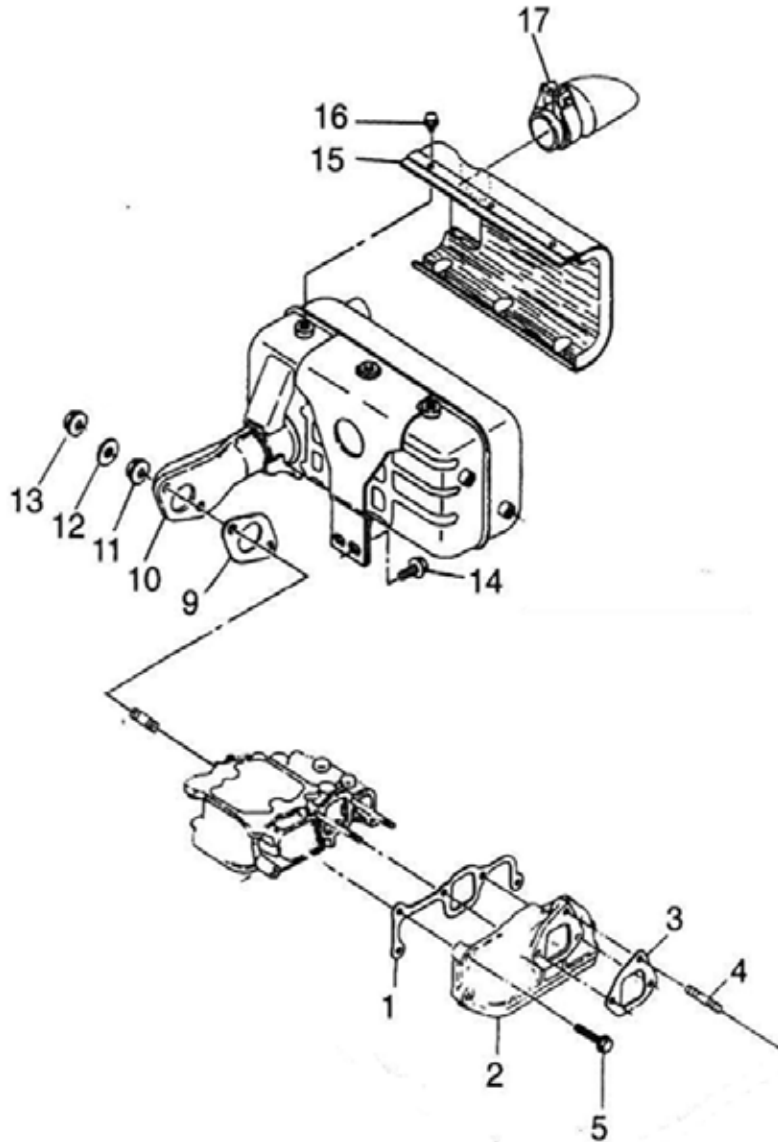
POS.	CODE	DESCRIPTION	QTY
6	A12751	BOLT M6×12	3
7	A12832	OIL PUMP COVER	1
8	A12720	O-RING	1
9	A12729	OIL PUMP	1
10	A12825	RETAINING PIN 3X16	1
11	A12752	BOLT M6X14	1
12	A12883	OIL FILTER CLEANING ELEMENT	1
13	A12719	SEAL RING	1
14	A12864	OIL GUIDE	1
SET 2 (15-17)	A12762	OIL PUMP DRIVING GEAR ASSEMBLY	1
18	A12836	GOVERNOR FORK TAPPET	1
19	A12877	LEVER SHAFT GASKET	1
20	A12849	BEARING	1
21	A12783	FORK LEVER ASSEMBLY	1
22	A12839	WASHER	1
23	A12875	FUEL CONTROLLER SET	1
24	A12803	HANDLE BRACKET	1
25	A12795	SPEED - CONTROL LEVER	1
26	A12752	BOLT M6X14	1
27	A12752	BOLT M6X14	1
29	A12775	RETURN SPRING II	1
30	A12777	RETURN SPRING I	1
31	A12778	SPEED - CONTROL SPRING	1

A06



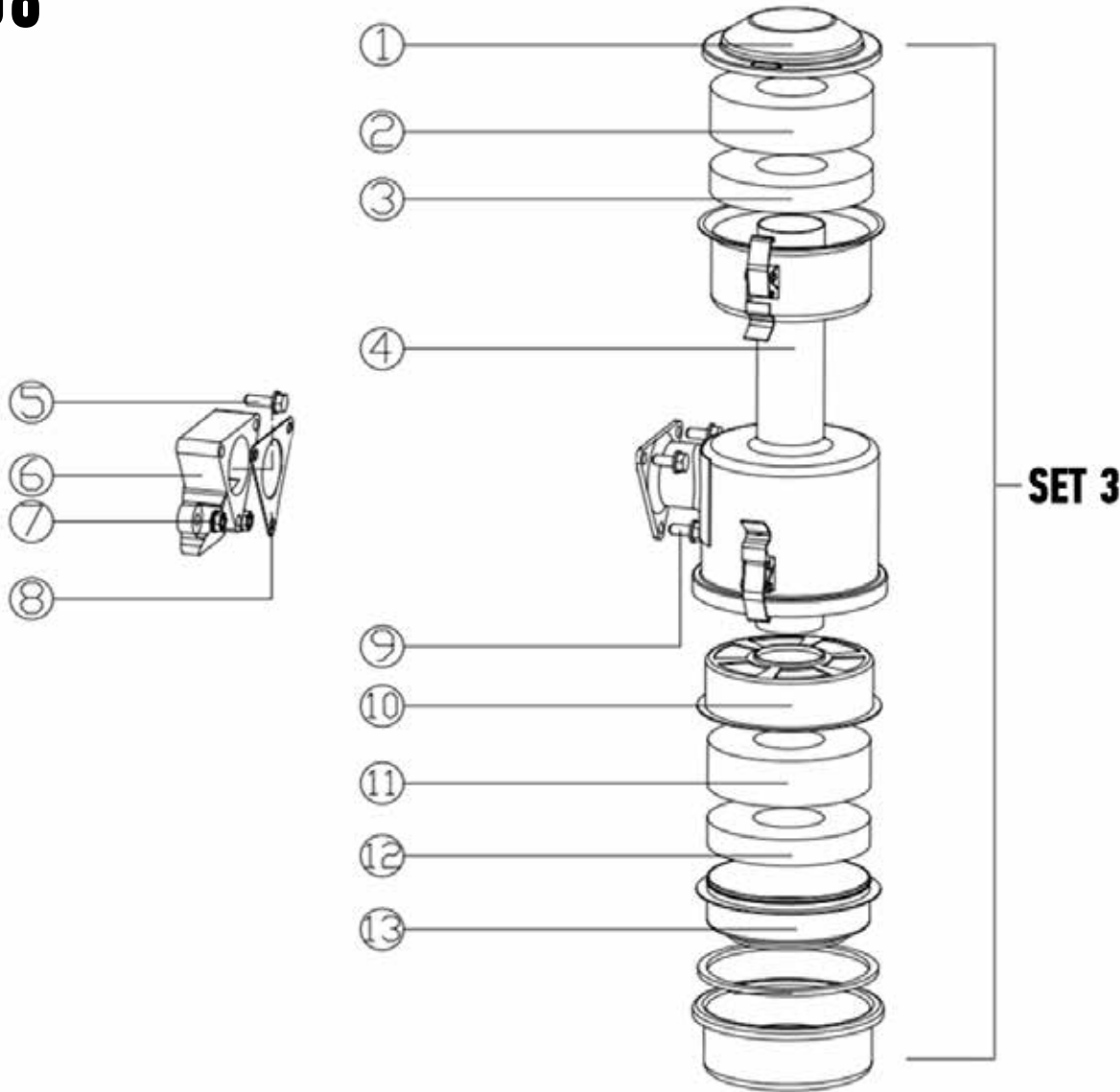
POS.	CODE	DESCRIPTION	QTY
1S	A12904	RECOIL START ASSEMBLY	1
1	A12785	RECOIL CASE ASSEMBLY	1
2	A12748	BOLT M6X8	3
3	A12863	RECOIL STARTER ROPE	1
4	A12800	RECOIL STARTER HANDLE	1
5	A12776	FLAT SPIRACLE SPRING	1
6	A12876	RECOIL REEL	1
7	A12793	STARTING CLAW	1
8	A12772	HELICAL SPRING	1
9	A12771	TORSIONAL SPRING	1
10	A12831	STARTING CLAW PLATE	1
11	A12846	FRICTION PLATE	1
12	A12887	FRICTION PLATE GASKET	1
13	A12843	SPRING WASHER	1
14	A12821	NUT M6	1
15	A12751	BOLT M6X12	3
16	A12796	STARTER CUP	1
17	A12724	WIND LEADING CASE WELDED	1
18	A12746	BOLT M6X22	4
19	A12841	WASHER	4
20	A12734	COLLAR OF WIND LEADING CASE WELDED	4
21	A12727	SHOCK ABSORBER	4
22	A12802	SHOCK PADS	2
26	A12637	WIND LEADING PLATE	1
27	A12745	BOLT M6X12	1

A07



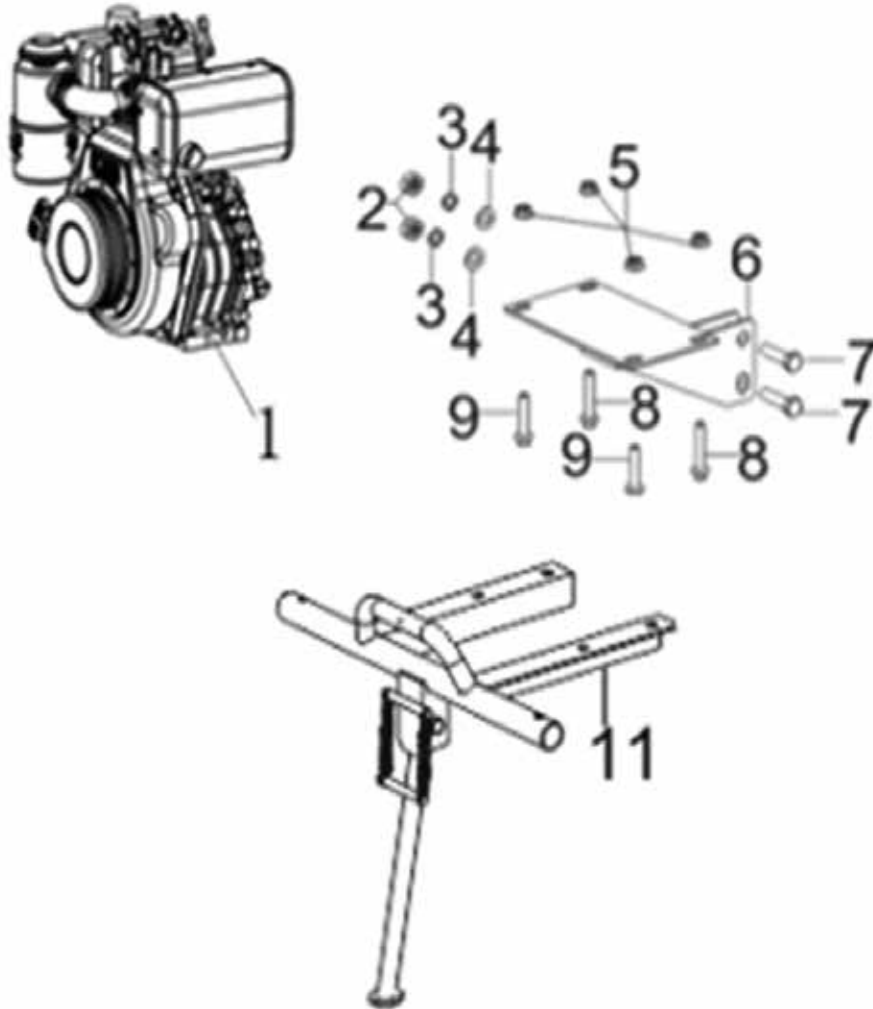
POS.	CODE	DESCRIPTION	QTY
1	A12888	INTAKE PIPE GASKET	1
2	A12768	INTAKE PIPE	1
3	A12895	AIR CLEANER GASKET	1
4	A12811	FASTEN BOLT FOR AIR CLEANER	1
5	A12747	BOLT M6X25	3
9	A12889	MUFFLER GASKET	1
10	A12781	MUFFLER ASSEMBLY	1
11	A12842	FLAT WASHER	1
12	A12758	SPRING WASHER	1
13	A12822	NUT M8	1
14	A12752	BOLT M6X14	2
15	A12838	MUFFLER SCREEN COVER	1
16	A12748	BOLT M6X8	6
17	A12780	MUFFLER TAIL PIPE	1

A08



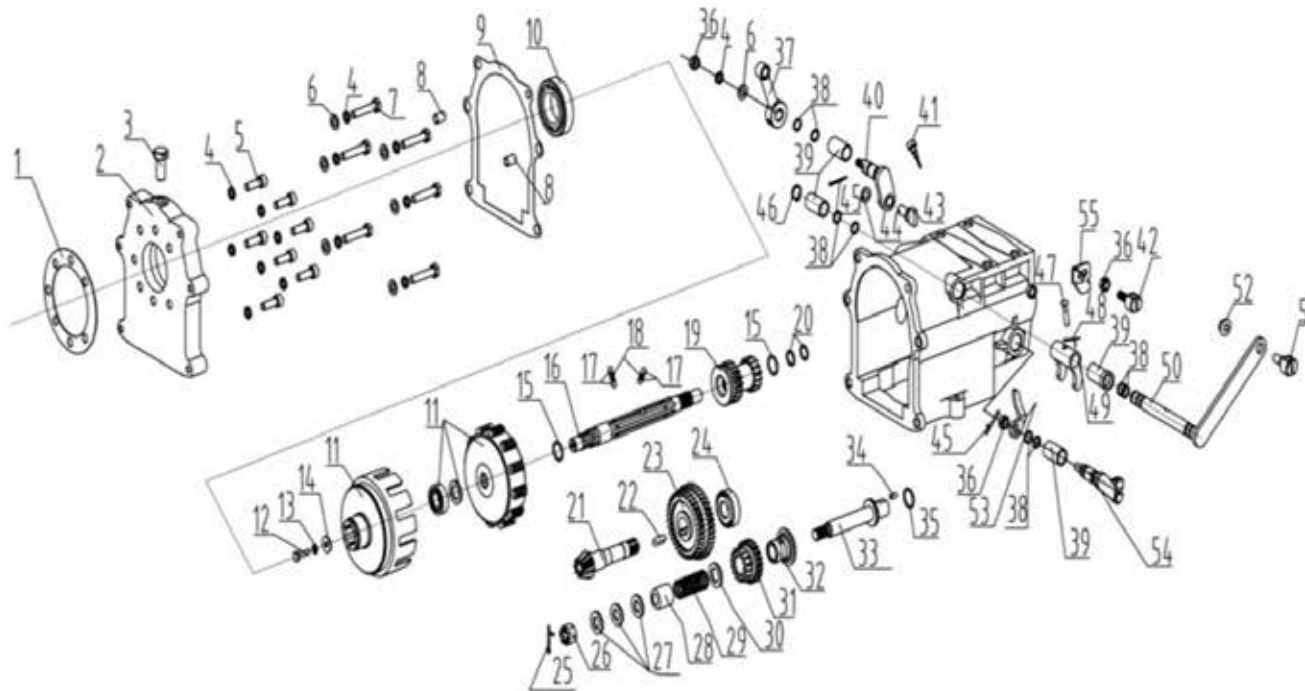
POS.	CODE	DESCRIPTION	QTY
1	A12817	TOP COVER	1
2	A12731	UPPER FILTER ELEMENT (FINE)	1
3	A12789	UPPER FILTER ELEMENT (ROUGH)	1
4	A12868	AIR FILTER BODY	1
5	A12743	BOLT	2
6	A12834	CONNECTING BASE	1
7	A12819	NUT	1
8	A12902	GASKET	1
9	A12744	BOLT	3
10	A12816	ELEMENT UPPER COVER	1
12	A12791	LOWER FILTER ELEMENT (FINE)	1
11	A12790	LOWER FILTER ELEMENT (ROUGH)	1
13	A12787	ELEMENT LOWER COVER	1
SET 3	A12882	AIR FILTER ASSEMBLY	1

E17



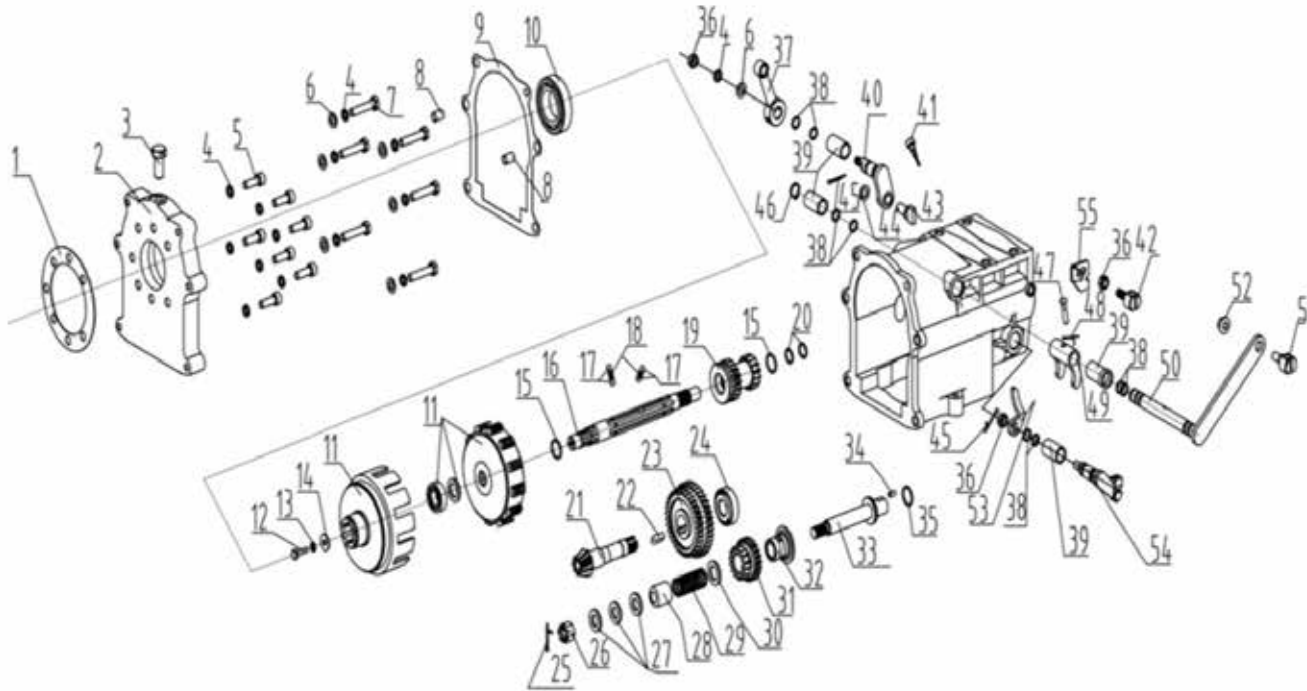
POS.	CODE	DESCRIPTION	QTY
E17-1	A12671	ENGINE	1
E17-2	A05750	HEXAGON NUT	2
E17-3	A09938	FLAT WASHER	2
E17-4	A05768	FLAT WASHER	2
E17-5	A04793	HEXAGON NUT WITH FLANGE	4
E17-6	A12635	ENGINE CONNETING SEAT	1
E17-7	A11350	HEXAGONAL HEAD BOLT	2
E17-8	A11351	BOLT	2
E17-9	A04794	BOLT	2
E17-11	A12691	GUARD	1

F11



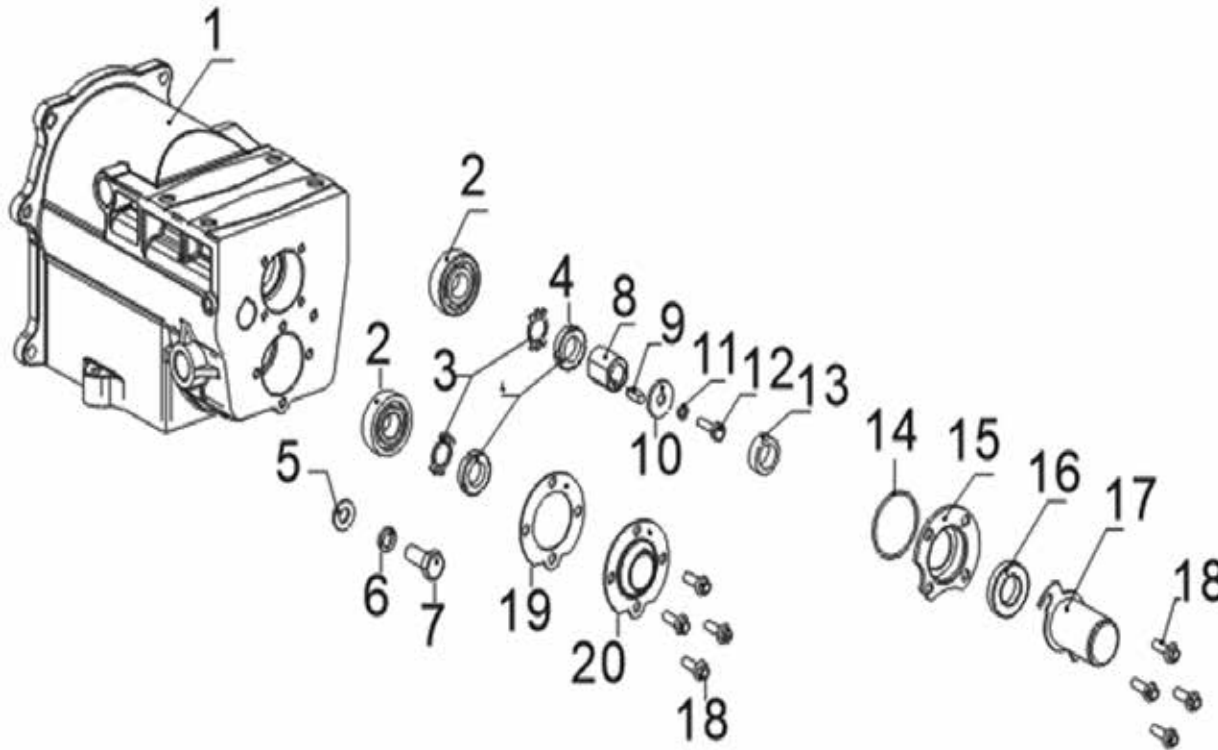
POS.	CODE	DESCRIPTION	QTY
F11-1	A12713	ENGINE SEAL GASKET	1
F11-2	A12710	FLANGE	1
F11-3	A10571	PRESSURE RELIEF BOLT	1
F11-4	A10282	FLAT WASHER	14
F11-5	A10678	HEXAGON SOCKET HEAD CAP SCREW	7
F11-6	A09967	FLAT WASHER	7
F11-7	A11340	HEXAGONAL HEAD BOLT	6
F11-8	A08866	POSITION PIN	2
F11-9	A10302	FLANGE SEAL GASKET	1
F11-10	A11349	DEEP GROOVE BALL BEARING	1
F11-11	A12700	CLUTCH	1
F11-12	A09914	HEXAGONAL HEAD BOLT	1
F11-13	A10603	FLAT WASHER	1
F11-14	A10254	GASKET	1
F11-15	A10255	STILL RING	2
F11-16	A10256	MAIN AXLE	1
F11-17	A10257	STEEL BALL	4
F11-18	A10258	STOPPER SPRING	2
F11-19	A10259	DUPLICATE GEAR	1
F11-20	A10261	O-TYPE RUBBER SEAL RING	2
F11-21	A10262	COUNTERSHAFT	1
F11-22	A10263	FLAT KEY	1
F11-23	A10264	DUPLICATE GEAR	1
F11-24	A10265	TAPERED ROLLER BEARINGS	1
F11-25	A10339	COTTER PIN	1
F11-26	A10340	HEXAGON SLOTTED NUT	1
F11-27	A10268	FLAT WASHER	3
F11-28	A10269	REVERSE GEAR STOP COLLAR	1

F11



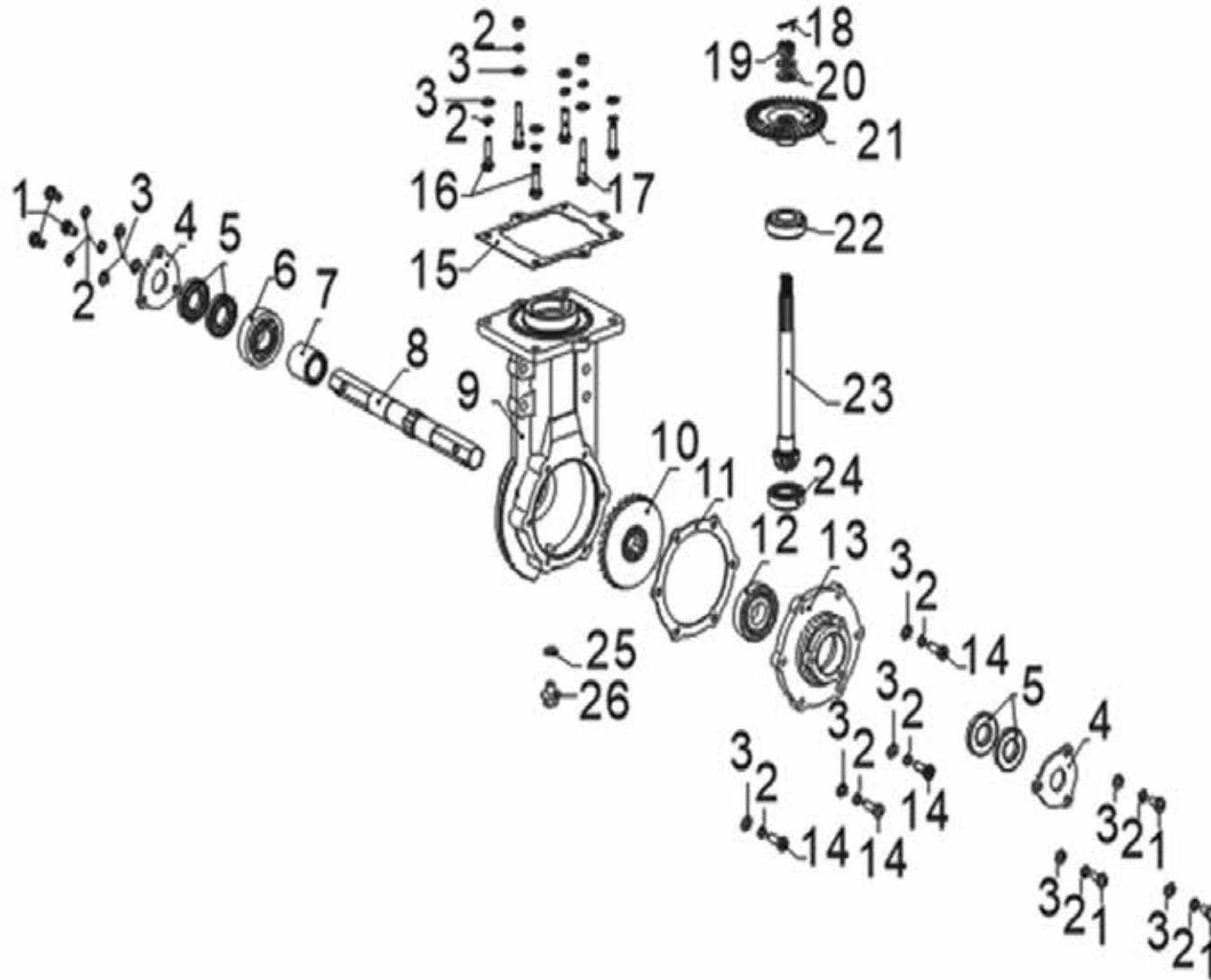
POS.	CODE	DESCRIPTION	QTY
F11-29	A10270	REVERSE GEAR SPRING	1
F11-30	A10272	FLAT WASHER	1
F11-31	A10273	DUPLICATE GEAR	1
F11-32	A10274	REVERSE GEAR COLLAR	1
F11-33	A10275	REVERSE GEAR SHAFT	1
F11-34	A10575	PIN	1
F11-35	A10277	O-TYPE RUBBER SEAL RING	1
F11-36	A10278	HEXAGON NUT	1
F11-37	A10279	SHIFT ARM	1
F11-38	A10280	O-TYPE RUBBER SEAL RING	8
F11-39	A10281	BUSH	4
F11-40	A10283	SHIFTS FORK	1
F11-41	A10284	OIL DIPSTICK	1
F11-42	A10285	INHAUL CABLE BASE	1
F11-43	A10286	SHIFTS FORK	1
F11-44	A05768	FLAT WASHER	1
F11-45	A10287	COTTER PIN	2
F11-46	A10288	CIRCLIP FOR SHAFT	1
F11-47	A12687	PIN SHAFT	1
F11-48	A09956	COTTER PIN	1
F11-49	A10290	SHIFTS FORK	1
F11-50	A10292	SHIFTS FORK	1
F11-51	A10293	INHAUL CABLE BASE	1
F11-52	A10294	HEXAGON NUT WITH FLANGE	1
F11-53	A10295	SHIFTS FORK	1
F11-54	A10296	SHIFTS FORK	1
F11-55	A10297	INHAUL CABLE BASE	1

F10



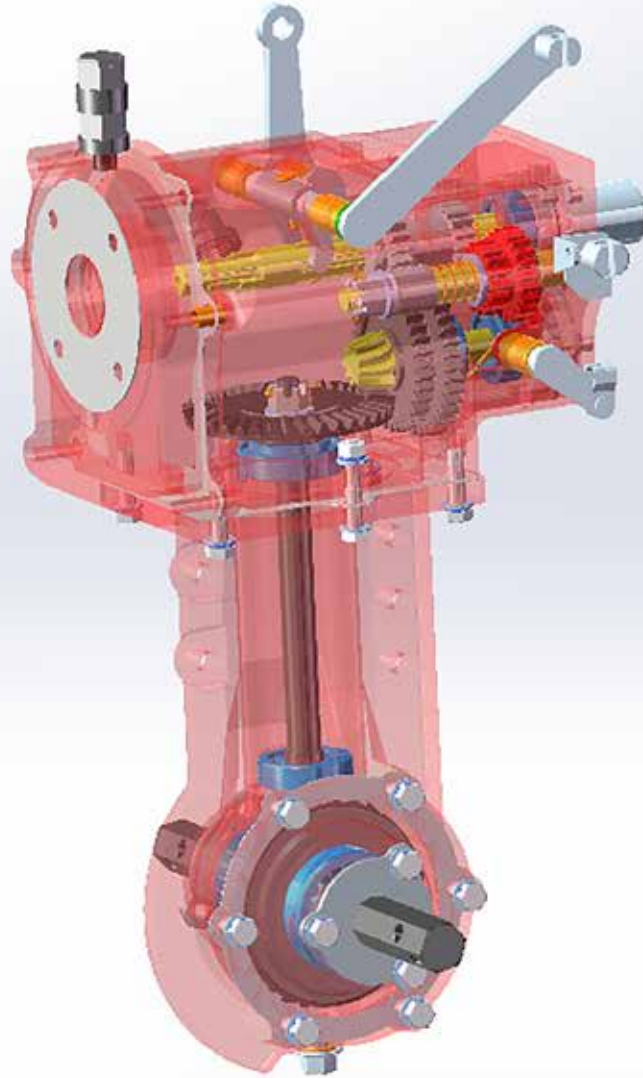
POS.	CODE	DESCRIPTION	QTY
F10-1	A12707	BOX BODY TRANSMISSION	1
F10-2	A09989	DEEP GROOVE BALL BEARING	2
F10-3	A12693	LOCK WASHER FOR ROUND NUTS	2
F10-4	A12686	SMALL ROUND NUT	2
F10-5	A05768	FLAT WASHER	1
F10-6	A09938	FLAT WASHER	1
F10-7	A11347	HEXAGONAL HEAD BOLT	1
F10-8	A10328	FLAT KEY SET	1
F10-9	A12702	FLAT KEY	1
F10-10	A10254	GASKET	1
F10-11	A10253	FLAT WASHER	1
F10-12	A09914	HEXAGONAL HEAD BOLT	1
F10-13	A10315	BUSH	1
F10-14	A10316	O-TYPE RUBBER SEAL RING	1
F10-15	A10317	MAIN SHAFT GLAND	1
F10-16	A10318	OIL SEAL	1
F10-17	A10319	MAIN SHAFT SAFETY GUARD	1
F10-18	A04813	BOLT	8
F10-19	A10321	COUNTERSHAFT END COVER SEALING GASKET	1
F10-20	A10322	COUNTERSHAFT END COVER	1

F13



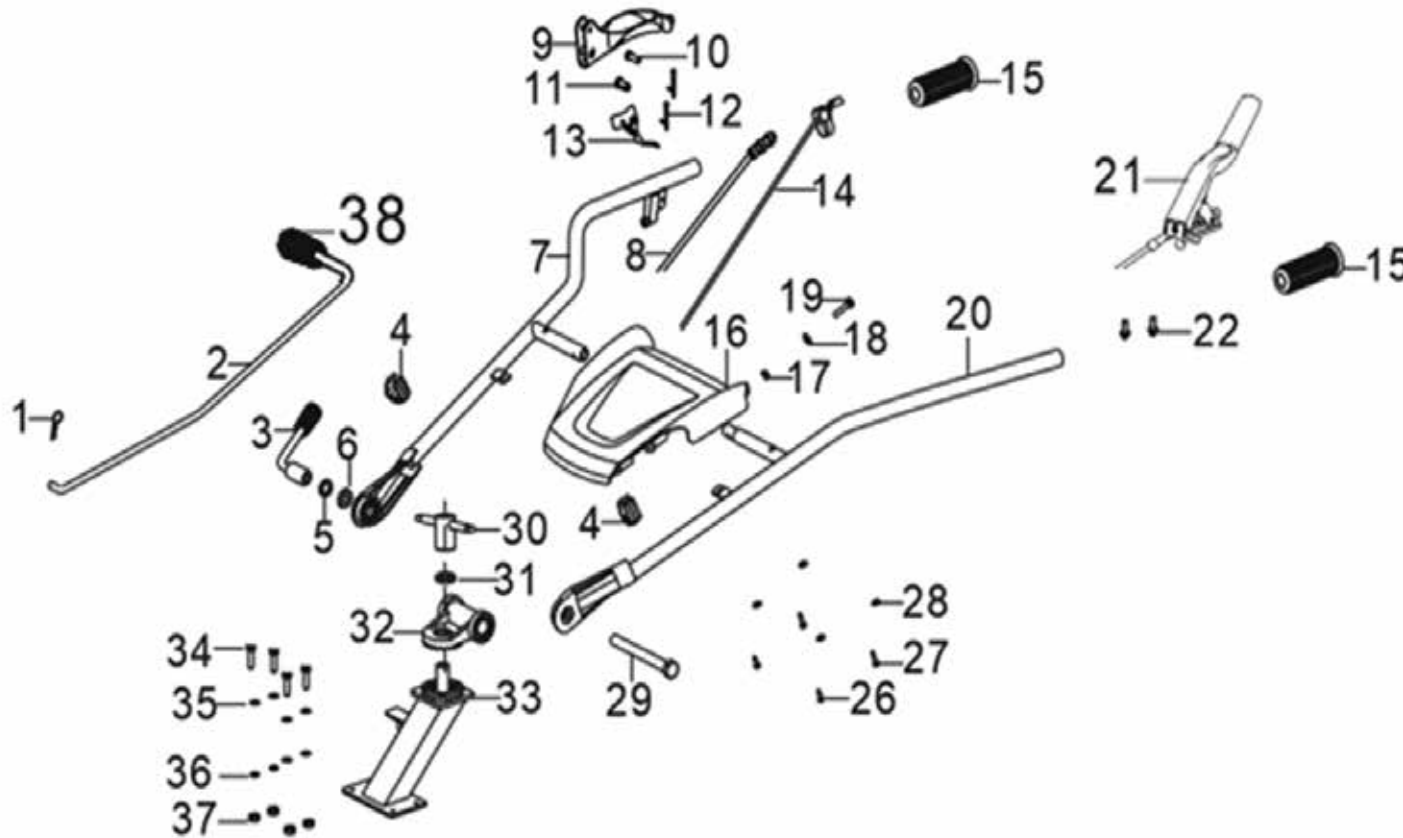
POS.	CODE	DESCRIPTION	QTY
F13-1	A10621	HEXAGONAL HEAD BOLT	6
F13-2	A10282	FLAT WASHER	18
F13-3	A09967	FLAT WASHER	18
F13-4	A10348	OUTPUT SHAFT DUST-PROOF COVER	2
F13-5	A10349	OIL SEAL	4
F13-6	A10350	DEEP GROOVE BALL BEARING	1
F13-7	A10351	BUSH	1
F13-8	A10352	OUTPUT SHAFT	1
F13-9	A12705	BOX BODY TRANSMISSION	1
F13-10	A10331	TRANSPORTATION BEVEL GEAR	1
F13-11	A12712	TRANSMISSION BOX COVER GASKET	1
F13-12	A10333	TAPERED ROLLER BEARINGS	1
F13-13	A12664	TRANSMISSION BOX COVER	1
F13-14	A12643	HEXAGONAL HEAD BOLT	6
F13-15	A10336	MOULD ASSEMBLING SEAL GASKET	1
F13-16	A10337	HEXAGONAL HEAD BOLT	4
F13-17	A10338	HEXAGONAL HEAD BOLT	2
F13-18	A10339	COTTER PIN	1
F13-19	A10340	HEXAGON SLOTTED NUT	1
F13-20	A10268	FLAT WASHER	2
F13-21	A10343	DRIVEN BEVEL GEAR	1
F13-22	A10344	TAPERED ROLLER BEARINGS	1
F13-23	A10345	TRANSPORTATION BEVEL GEAR SHAFT	1
F13-24	A10346	TAPERED ROLLER BEARINGS	1
F13-25	A10347	O-TYPE RUBBER SEAL RING	1
F13-26	A10620	DRAIN PLUG BOLT	1

F19



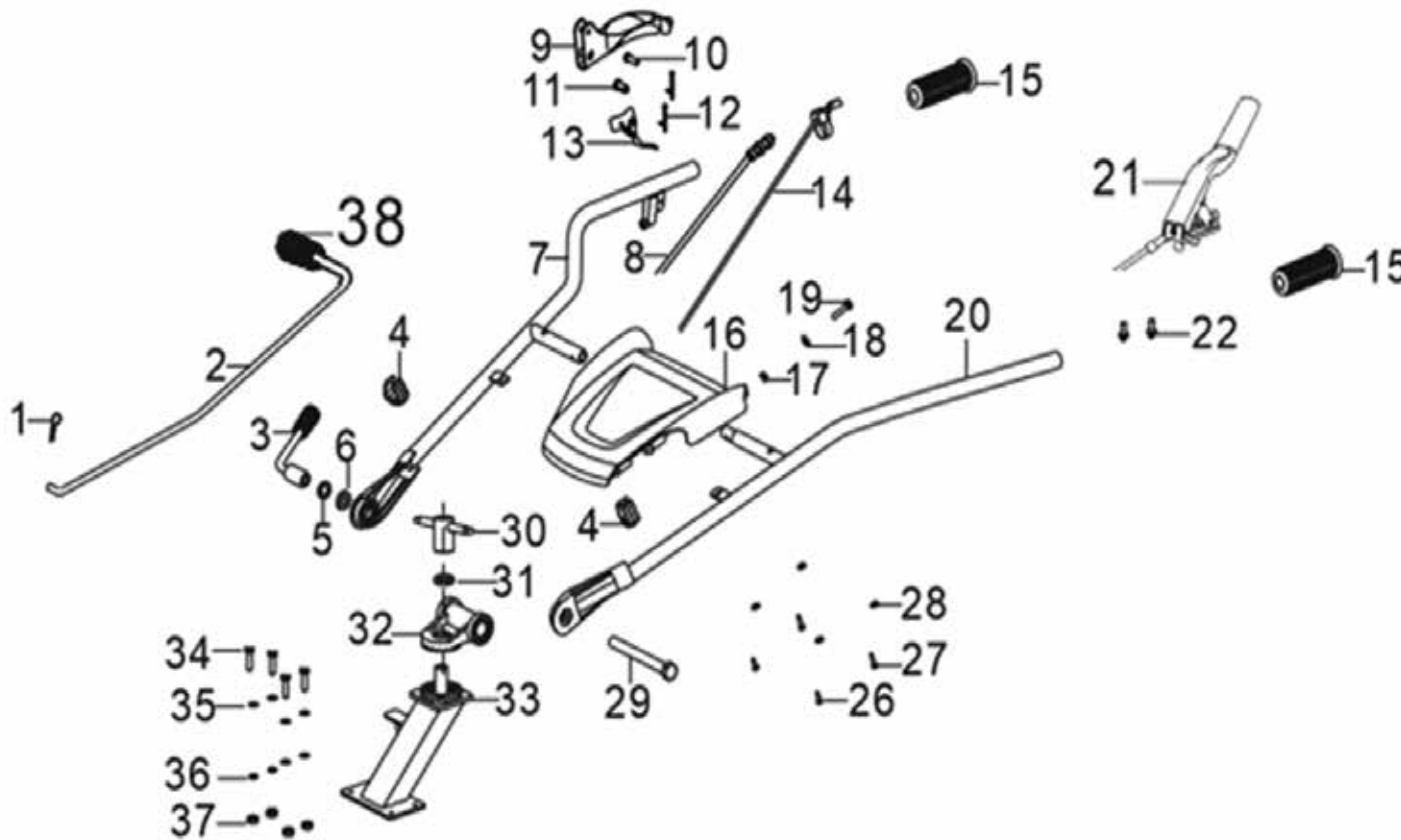
POS.	CODE	DESCRIPTION	QTY
F19-1	A12694	TRANSMISSION BOX ASSEMBLY	1

W05



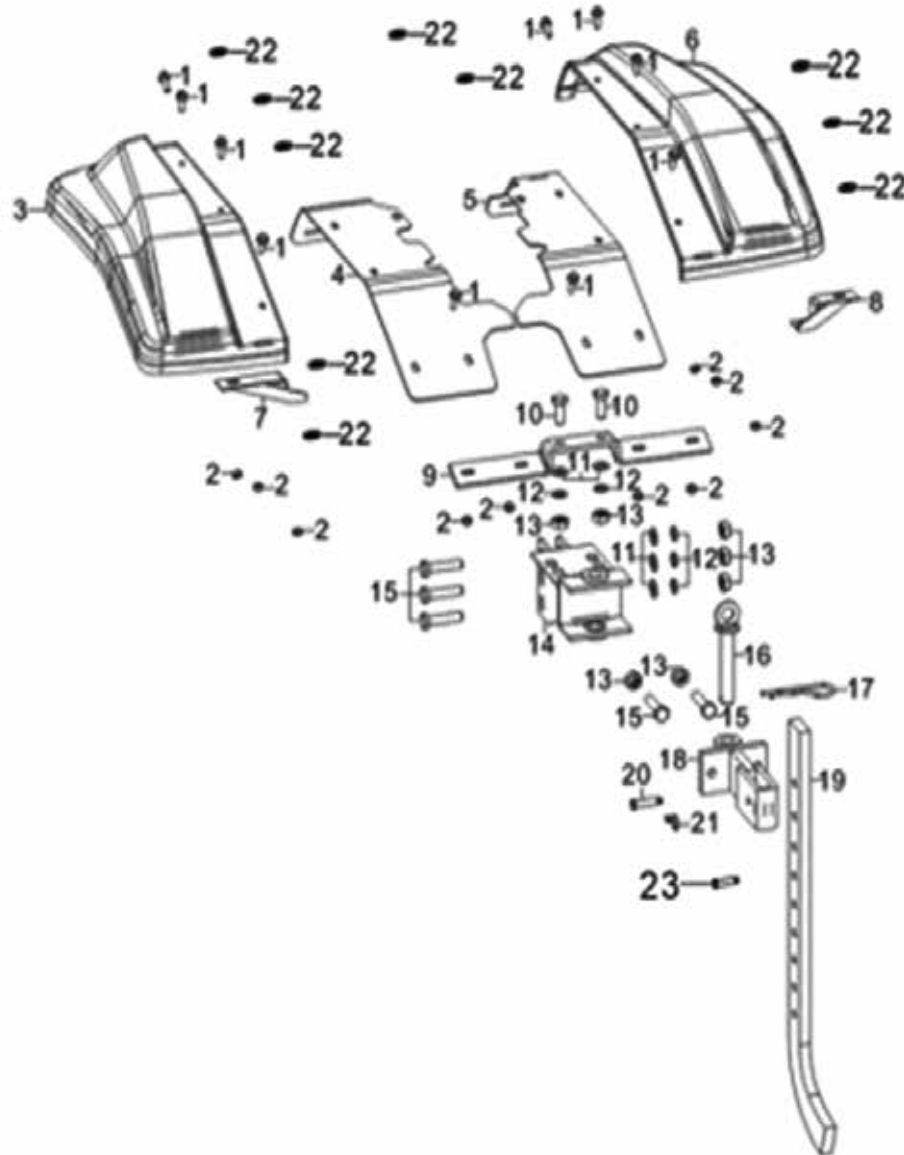
POS.	CODE	DESCRIPTION	QTY
W05-1	A05748	SOCKET	1
W05-2	A12681	GEAR LEVER	1
W05-3	A09965	LOCK HANDLE	1
W05-4	A09964	WIRE CLIP	2
W05-5	A09966	FLAT WASHER	1
W05-6	A10646	FLAT WASHER	1
W05-7	A10314	LEFT HANDLE TUBE	1
W05-8	A12685	REVERSE GEAR CABLE	1
W05-9	A12678	CLUTCH HANDLE	1
W05-10	A10311	PIN SHAFT	2
W05-11	A10289	PIN SHAFT	2
W05-12	A10287	COTTER PIN	4
W05-13	A10312	REVERSE GEAR STOPPER SEAT	1
W05-14	A12715	THROTTLE COCK ASSEMBLY	1
W05-15	A09942	HANDLE RUBBER SLEEVE	2
W05-16	A09943	PANEL	1
W05-17	A09944	NUT	1
W05-18	A09945	FLAT WASHER	1
W05-19	A10680	HEXAGONAL HEAD BOLT	1
W05-20	A10305	RIGHT HANDLE TUBE	1
W05-21	A12677	FORWARD CLUTCH HANDLE ASSEMBLY	1
W05-22	A04813	BOLT	2
W05-26	A10681	SCREW	2
W05-27	A11345	SCREW	2
W05-28	A13105	FLAT WASHER	4
W05-29	A11344	HEXAGONAL HEAD BOLT	1
W05-30	A10641	LOCK HANDLE	1
W05-31	A10642	FLAT WASHER	1

W05



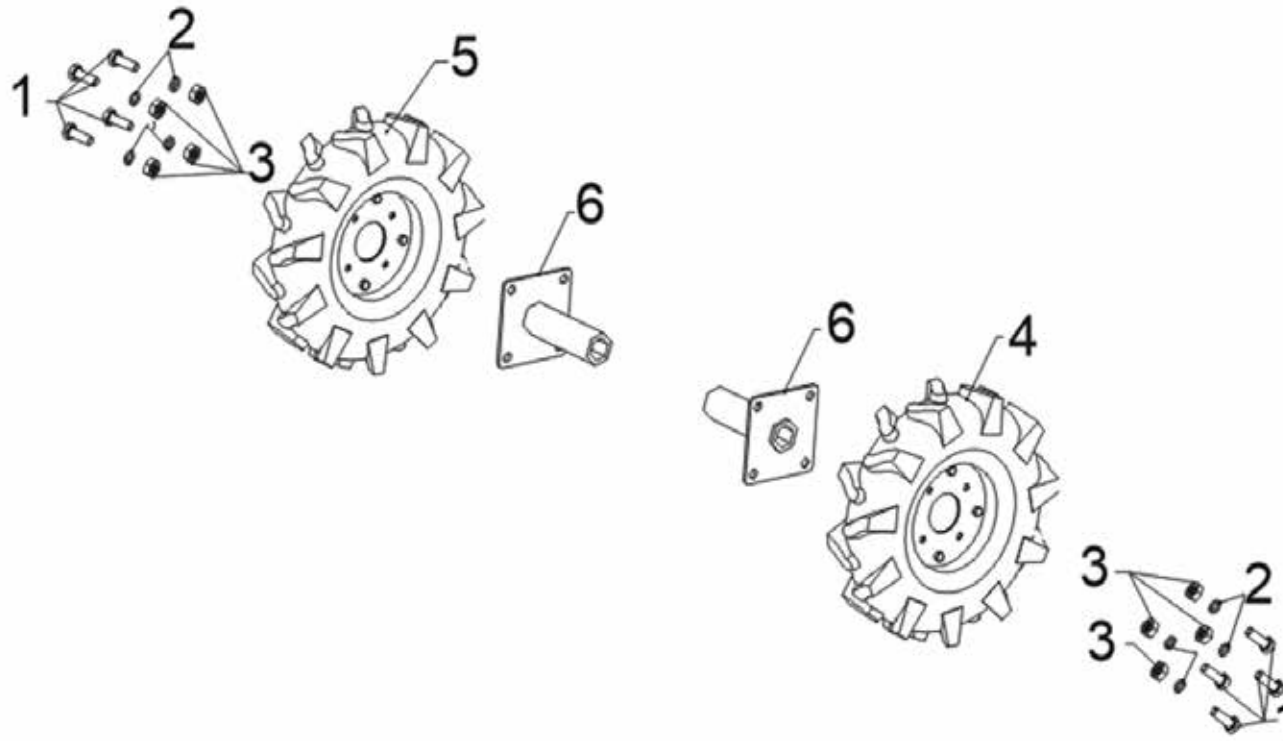
POS.	CODE	DESCRIPTION	QTY
W05-32	A10643	TOOTH DISK PLATE	1
W05-33	A12639	ARMREST ASSEMBLY	1
W05-34	A11351	BOLT	2
W05-35	A05768	FLAT WASHER	4
W05-36	A09938	FLAT WASHER	4
W05-37	A05750	HEXAGON NUT	4
W05-38	A12675	RUBBER SLEEVE	1

W06



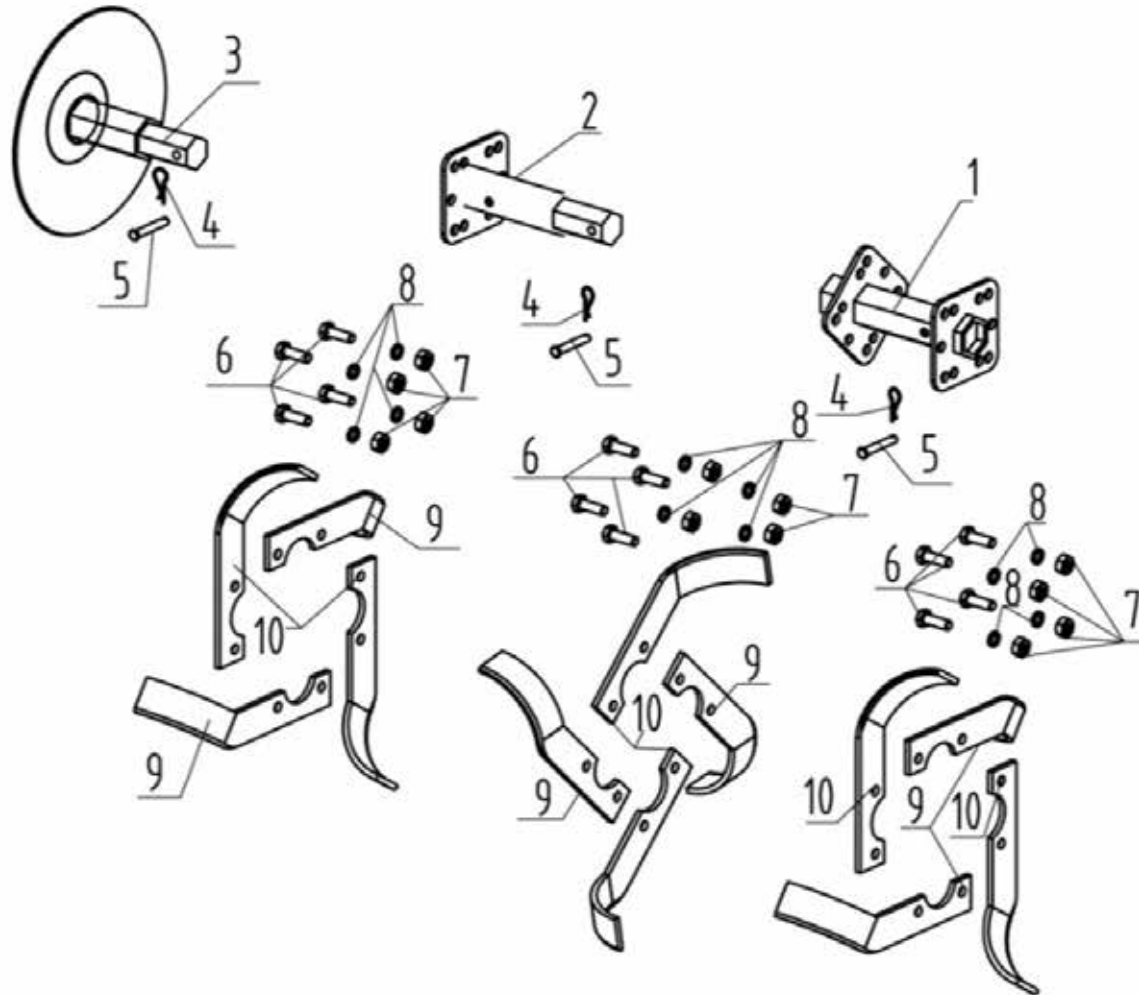
POS.	CODE	DESCRIPTION	QTY
W06-1	A04813	BOLT	10
W06-2	A05751	NUT	10
W06-3	A12630	LEFT MINI-TILLER FENDER OUTER	1
W06-4	A12631	LEFT MINI-TILLER FENDER INNER	1
W06-5	A12649	RIGHT MINI-TILLER FENDER INNER	1
W06-6	A12648	RIGHT MINI-TILLER FENDER OUTER	1
W06-7	A12629	LEFT FRONT FENDER SUPPORT	1
W06-8	A12650	RIGHT FRONT FENDER SUPPORT	1
W06-9	A10365	REAR FENDER SUPPORT	1
W06-10	A11347	HEXAGONAL HEAD BOLT	2
W06-11	A05768	FLAT WASHER	5
W06-12	A09938	STANDARD SPRING WASHER	5
W06-13	A05750	HEXAGON NUT	7
W06-14	A10355	TRAILING BODY	1
W06-15	A10356	HEXAGONAL HEAD BOLT	5
W06-16	A10357	PIN SHAFT	1
W06-17	A05679	SOCKET	1
W06-18	A10358	CONNECTION FRAME	1
W06-19	A05707	DAMPING ARM	1
W06-20	A06140	PIN SHAFT	1
W06-21	A05748	SOCKET	1
W06-22	A05640	WASHER	10
W06-23	A10354	BOLT	1

W07



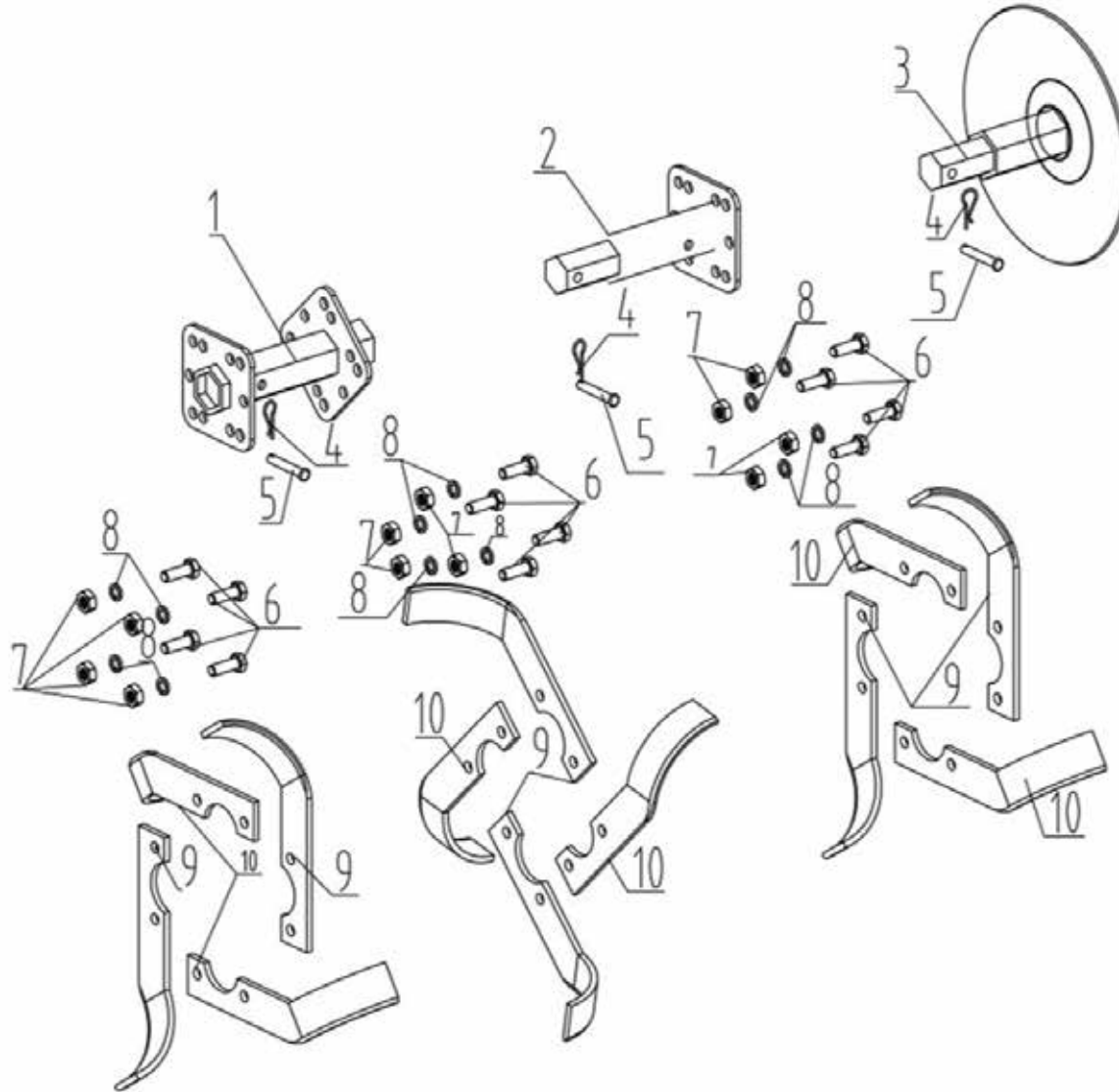
POS.	CODE	DESCRIPTION	QTY
W07-1	A11347	HEXAGONAL HEAD BOLT	8
W07-2	A09938	FLAT WASHER	8
W07-3	A05750	HEXAGON NUT	8
W07-4	A10366	LEFT TRANSPORTION WHEEL	1
W07-5	A10367	RIGHT TRANSPORTION WHEEL	1
W07-6	A12640	REAR WHEEL SHAFT	2

W08



POS.	CODE	DESCRIPTION	QTY
W08-1	A10369	CYLINDER	1
W08-2	A05792	CYLINDER	1
W08-3	A06060	TRIMMING WHEEL	1
W08-4	A05748	SOCKET	3
W08-5	A06140	PIN SHAFT	3
W08-6	A10354	HEXAGONAL HEAD BOLT	12
W08-7	A05750	HEXAGON NUT	12
W08-8	A09938	FLAT WASHER	12
W08-9	A05906	ROTARY BLADE	6
W08-10	A05954	ROTARY BLADE	6

W09



POS.	CODE	DESCRIPTION	QTY
W09-1	A10369	CYLINDER	1
W09-2	A05792	CYLINDER	1
W09-3	A06060	TRIMMING WHEEL	1
W09-4	A05748	SOCKET	3
W09-5	A06140	PIN SHAFT	3
W09-6	A10354	HEXAGONAL HEAD BOLT	12
W09-7	A05750	HEXAGON NUT	12
W09-8	A09938	FLAT WASHER	12
W09-9	A05906	ROTARY BLADE	6
W09-10	A05954	ROTARY BLADE	6