

# **FFGROUP<sup>®</sup>**



## **SCMS-DB 305 PLUS**

**EN**

**ORIGINAL INSTRUCTIONS**

**FR**

**NOTICE ORIGINALE**

**IT**

**ISTRUZIONI ORIGINALI**

**EL**

**ΠΡΩΤΟΤΥΠΟ ΟΔΗΓΙΩΝ ΧΡΗΣΗΣ**

**SR**

**ORIGINALNO UPUTSTVO ZA RAD**

**HR**

**ORIGINALNE UPUTE ZA RAD**

**RO**

**INSTRUCȚIUNI DE FOLOSIRE ORIGINALE**

**HU**

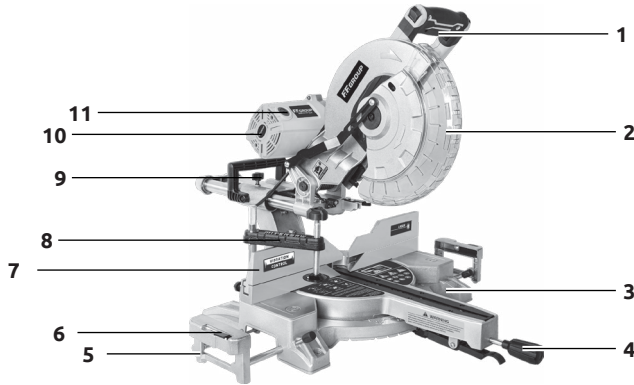
**EREDETI UTASÍTÁSOK**

**LT**

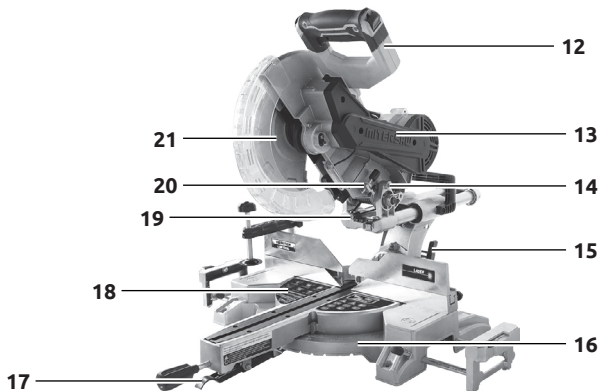
**ORIGINALIOS INSTRUKCIJOS**

<b>EXPLANATION OF SYMBOLS /</b> EXPLICATION DES SYMBOLES / SPIEGAZIONE DEI SIMBOLI / ΕΠΕΞΗΓΗΣΗ ΣΥΜΒΟΛΩΝ / OBJAŠNJENJE SIMBOLA / OBJAŠNJENJE SIMBOLA / EXPLICAREA SIMBOLURILOR / SZIMBÓLUMOK JELENTÉSE / SIMBOLIŲ PAAIŠKINIMAS		6
<b>EN</b>	DOUBLE BEVEL SLIDE COMPOUND MITER SAW	8
<b>FR</b>	TRONÇONNEUSE RADIALE À DOUBLE INCLINAISON	14
<b>IT</b>	TRONCATRICE RADIALE A DOPPIA INCLINAZIONE	21
<b>EL</b>	ΦΑΛΤΣΟΠΡΙΟΝΟ RADIAL ΔΙΠΛΗΣ ΚΟΠΗΣ	28
<b>SR</b>	RADIJALNA KRUŽNA TESTERA S DVOSTRUKIM NAGIBOM	35
<b>HR</b>	RADIJALNA KRUŽNA PILA S DVOSTRUKIM NAGIBOM	42
<b>RO</b>	FIERĂSTRĂU CIRCULAR CU ÎNCLINARE DUBLĂ	48
<b>HU</b>	KIHÚZHATÓ LÉZERES GÉRVÁGÓ	54
<b>LT</b>	KAMPINĖS SKERSINIO PJOVIMO STAKLĖS	61
<b>CE</b>		67

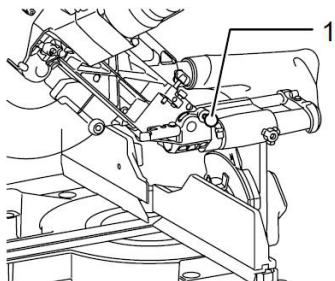
1



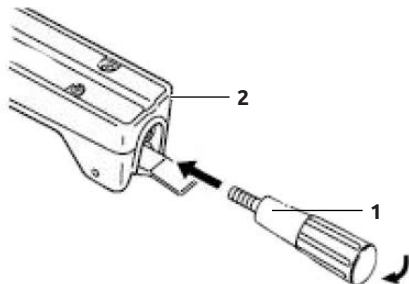
2



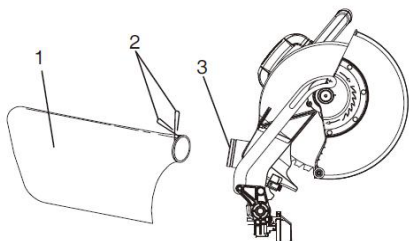
3



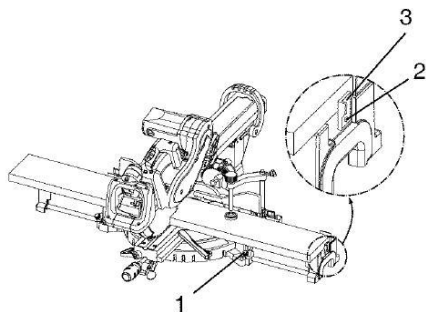
4



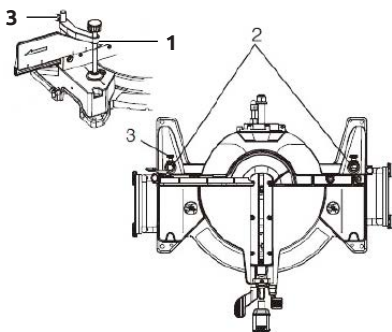
5



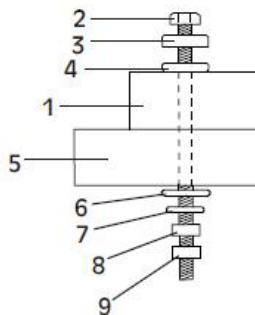
6



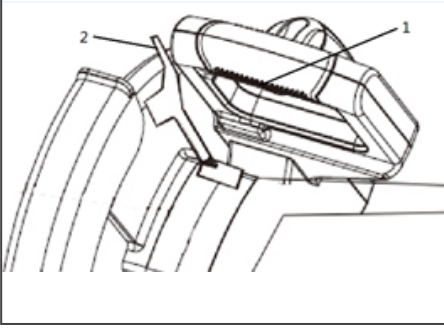
7



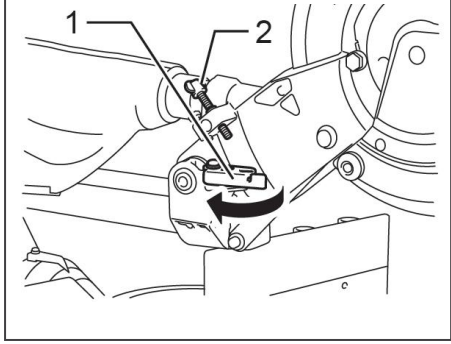
8



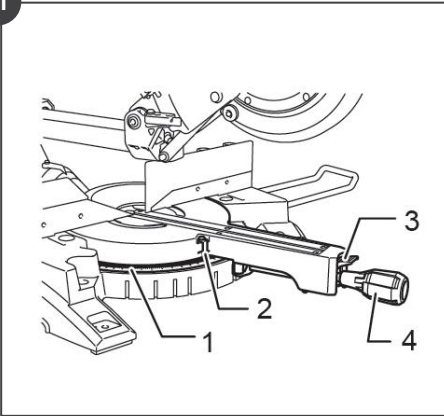
9



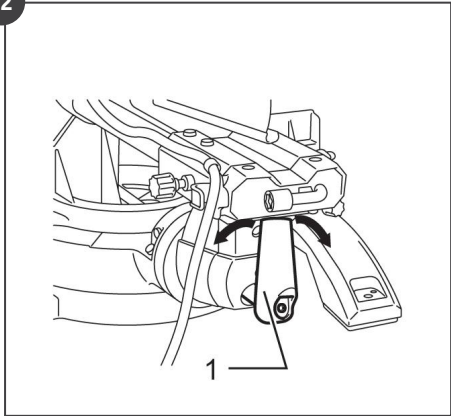
10



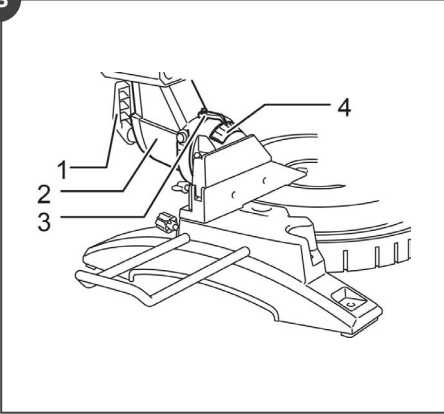
11



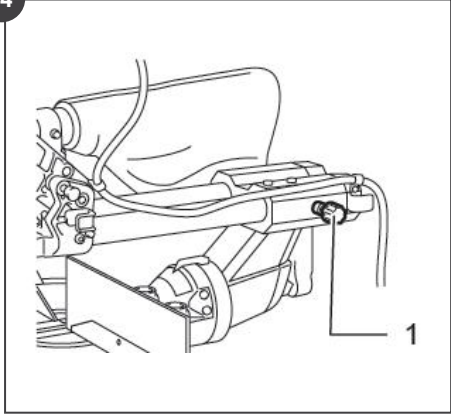
12



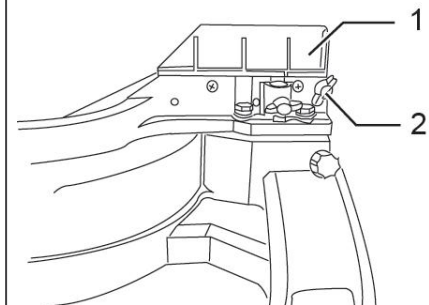
13



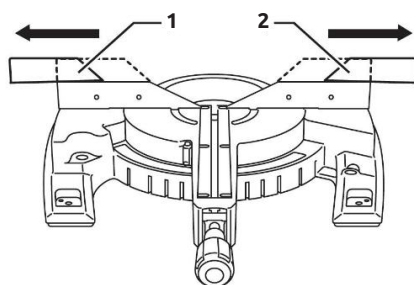
14



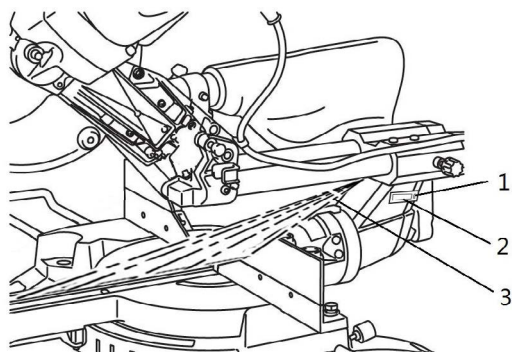
15



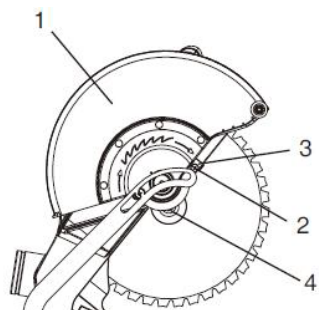
16



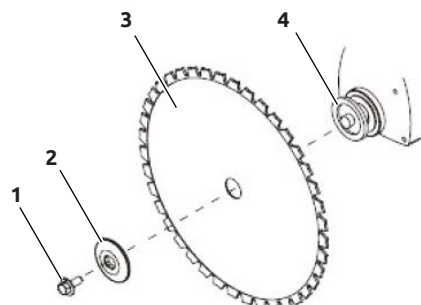
17
















18



19



	ENGLISH	FRANÇAIS	ITALIANO	ΕΛΛΗΝΙΚΑ
	EXPLANATION OF SYMBOLS	EXPLICATION DES SYMBOLES	SPIEGAZIONE DEI SIMBOLI	ΕΠΕΞΗΓΗΣΗ ΣΥΜΒΟΛΩΝ
	Always read and understand the instructions before operating	Toujours lire et comprendre les instructions avant d'opérer	Leggere e comprendere sempre le istruzioni prima di operare	Διαβάστε και κατανοήστε τις οδηγίες χρήσης πάντα πριν από τη λειτουργία
	Always wear appropriate eye protection when operating	Portez toujours une protection oculaire appropriée lorsque vous utilisez	Indossare sempre un'adeguata protezione oculare quando si opera	Να χρησιμοποιείτε πάντα κατάλληλη προστασία ματιών κατά τη λειτουργία
	Always wear appropriate protective breathing mask when operating	Portez toujours un masque respiratoire protecteur approprié lors de l'opération	Indossare sempre un'adeguata maschera protettiva durante il funzionamento	Να χρησιμοποιείτε πάντα κατάλληλη μάσκα αναπνοής κατά τη λειτουργία
	Always wear appropriate ear protection when operating	Portez toujours une protection de l'oreille appropriée lors de l'exploitation	Indossare sempre un'adeguata protezione dell'orecchio quando si opera	Να χρησιμοποιείτε πάντα κατάλληλη προστασία αυτιών κατά τη λειτουργία
	Always wear appropriate hand protection when operating	Portez toujours une protection appropriée pour les mains lors de l'exploitation	Indossare sempre la protezione della mano appropriata quando si opera	Να χρησιμοποιείτε πάντα κατάλληλη προστασία χεριών κατά τη λειτουργία
	Important, danger, warning, or caution	Important, danger ou avertissement	Importante, pericolo o avviso	Σημαντικό, κίνδυνος ή προειδοποίηση
	Risk of eye damage, due to source of light or laser beam. Do not direct towards the naked eye	Risque de lésions oculaires dues à la source de lumière ou au faisceau laser. Ne pas diriger vers l'œil nu	Rischio di danni agli occhi, a causa di sorgente di luce o raggio laser. Non dirigere ad occhio nudo	Κίνδυνος βλάβης στα μάτια, λόγω πηγής φωτός ή δέσμης λέιζερ. Μην κατευθύνετε σε γυμνό μάτι
	Do not keep or operate in wet environment	Ne pas conserver ou opérer dans un environnement humide	Non tenere o operare in un ambiente umido	Μη διατηρείτε ή λειτουργείτε σε υγρό περιβάλλον
	Never wear accessories or loose clothing and always tie up your hair	Ne portez jamais d'accessoires ou de vêtements amples et attachez toujours vos cheveux	Non indossare mai accessori o abiti larghi e legare sempre i capelli	Ποτέ μην φοράτε αξεσουάρ ή χαλαρή εφαρμογής ρουχισμό και δένετε πάντα τα μαλλιά σας
	Keep hands and feet clear of rotating parts	Gardez les mains et les pieds éloignés des pièces en rotation	Tenere mani e piedi lontani dalle parti rotanti	Διατηρείτε τα χέρια και τα πόδια σας μακριά από τα περιστρεφόμενα μέρη
	Double insulation	Double insulation	Doppio isolamento	Διπλή μόνωση
	Must be recycled and should always be disposed in accordance with applicable directives	Doit être recyclé et doit toujours être éliminé conformément aux directives applicables	Deve essere riciclato e deve essere sempre smaltito secondo le direttive applicabili	Πρέπει να ανακυκλώνεται και πρέπει πάντα να απορρίπτεται σύμφωνα με τις ισχύουσες οδηγίες
	Complies with applicable safety directives and relative standards	Conforme aux directives de sécurité applicables et aux normes relatives	Conforme alle direttive di sicurezza applicabili e alle relative norme	Συμμορφώνεται με τις ισχύουσες οδηγίες ασφαλείας και τα σχετικά πρότυπα

SRPSKI	HRVATSKI	ROMÂNĂ	MAGYAR	LIETUVIŲ K.
OBJAŠNENJE SIMBOLA	OBJAŠNENJE SIMBOLA	EXPLICAREA SIMBOLURILOR	SZIMBÓLUMOK JELENTÉSE	SIMBOLIŲ PAAIŠKINIMAS
Uvek pročitajte i razumejte uputstva pre rada	Uvijek pročitajte i shvatite upute prije operacije	Citiți și înțelegeți întotdeauna instrucțiunile înainte de a utiliza	Használat előtt mindig olvassa el és értse meg az utasításokat	Prieš pradėdami dirbti, visada perskaitykite ir supraskite instrukcijas
Uvek nosite odgovarajuću zaštitu za oči kada radila	Uvijek nosite odgovarajuću zaštitu očiju kada djelujete	Purtați întotdeauna o protecție adecvată a ochilor atunci când acționați	Munka közben mindig viseljen megfelelő szemvédőt	Dirbdami visada dėvėkite tinkamas akių apsaugos priemonės
Uvek nosite odgovarajuću zaštitnu masku za disanje prilikom rada	Prilikom rada uvijek nosite odgovarajuću zaštitnu masku za disanje	Purtați întotdeauna o mască de respirație de protecție adecvată în timpul	Munka közben mindig viseljen megfelelő légzőmaszkot	Dirbdami visada dėvėkite tinkamą apsauginę kvėpavimo kaukę
Uvek nosite odgovarajuću zaštitu za uši kada radila	Uvijek nosite odgovarajuću zaštitu za uši prilikom rada	Purtați întotdeauna o protecție adecvată a urechii în timpul funcționării	Működés közben mindig viseljen megfelelő fülvédőt	Dirbdami visada dėvėkite tinkamas ausų apsaugos priemonės
Uvek nosite odgovarajuću zaštitu ruku kada radila	Prilikom rada uvijek nosite odgovarajuću zaštitu ruku	Purtați întotdeauna o protecție adecvată a mâinii în timpul funcționării	Munka közben mindig viseljen megfelelő kézvédőt	Dirbdami visada dėvėkite tinkamą rankų apsaugą
Važno, opasnost ili upozorenje	Važno, opasnost ili upozorenje	Important, pericol sau avertisment	Fontos, veszély, figyelmeztetés vagy óvatosság	Svarbu, pavojus, įspėjimas ar atsargumas
Rizik od oštećenja očiju, zbog izvora svetlosti ili laserskog zraka. Ne usmeravaj prema golim okom	Rizik od oštećenja oka, zbog izvora svetlosti ili laserske zrake. Ne usmeravati prema golom oku	Risc de deteriorare a ochilor, din cauza sursei de lumină sau a fasciculului laser. Nu îndreptați spre ochiul liber	Szemkárosodás veszélye fényforrás vagy lézersugár miatt. Ne irányítsa szabad szemre	Akių pažeidimo rizika dėl šviesos šaltinio ar lazerio spindulio. Negalima nukreipti į plika akimi
Ne držite ili ne radite u vlažnom okruženju	Nemojte držati ili ne raditi u mokrom okruženju	Nu păstrați și nu acționați într-un mediu umed	Ne tárolja és ne működtesse nedves környezetben	Negalima laikyti ar veikti drėgnoje aplinkoje
Nikada ne nosite pribor ili labavu odeću i uvek vežite kosu	Nikada ne nosite dodatke ili široku odeću i uvijek vežite kosu	Nu purtați niciodată accesorii sau haine largi și legați-vă întotdeauna părul	Soha ne viseljen kiegészítőket vagy bő ruhát, és mindig kösse fel a haját	Niekada nedėvėkite aksesuarų ar laisvų drabužių ir visada suriškite plaukus
Drži ruke i noge dalje od rotirajućih delova	Držite ruke i noge dalje od rotirajućih dijelova	Țineți mâinile și picioarele departe de părțile rotative	Kezét és lábát tartsa távol a forgó alkatrészekről	Rankas ir kojas laikykite toliau nuo besisukančių dalių
Dvostruka izolacija	Dvostruka izolacija	Izolație dublă	Dupla szigetelés	Dviguba izoliacija
Mora se reciklirati i uvek ga treba raspolagati u skladu sa važećim direktivama	Mora se reciklirati i uvijek zbrinuti u skladu sa važećim direktivama	Trebuie reciclat și trebuie întotdeauna eliminat în conformitate cu directivele aplicabile	Újrahasznosítani kell, és mindig a vonatkozó irányelveknek megfelelően kell ártalmatlanítani	Turi būti perdirbtas ir visada turi būti šalinamas pagal taikomas direktyvas
U skladu sa važećim bezbednosnim direktivama i relativnim standardima	U skladu s primjenjivim sigurnosnim direktivama i relativnim standardima	Respectă directivele de siguranță aplicabile și standardele aferente	Megfelel a vonatkozó biztonsági irányelveknek és a vonatkozó szabványoknak	Abitinka taikomas saugos direktyvas ir santykinius standartus

## ENGLISH

### GENERAL SAFETY WARNINGS

Read and understand this owner's manual before operating this product. You can help prevent accidents by being familiar with your product's controls and by observing safe operating procedures and safety signs. Always use your common sense to avoid all situations considered beyond your capability. Do not use while you are tired or under the influence of drugs, alcohol or any other medication. Keep bystanders and animals that could be hurt, as well as items that could be damaged away, while operating. Never allow children or people unfamiliar with these instructions to use the product. Local laws may restrict the minimum age of the operator. Bear in mind that the operator or user is responsible for accidents or unexpected events occurring to other people, animals or their property. Do not expose the product to excessive moisture, dust, dirt or corrosive vapors. Do not mount equipment or accessories on the machine not foreseen or approved by the manufacturer. Never attempt to modify the product. Non-authorized modifications or accessories can result in serious personal injury or the death of the operator or others. Consult your authorized dealer for disassembly and service, not covered in this manual. If something breaks or an accident occurs while working, turn off the machine immediately and move it away to prevent further damage. In case foreign body has entered the machine, stop it immediately, inspect it for any damage and make repairs before starting it again.

### PROTECTIVE EQUIPMENT

Make sure that you use appropriate and certified protective equipment when operating the unit. Always wear clothing which does not hamper movements, protective gloves, goggles, half-mask respirator, ear protection and anti-shear safety boots with non-slip soles. Never wear scarves, necklaces or any hanging or flapping accessory and clothing that could catch in the machine. Tie up your hair if it is long.

### FIRE AND BURN HAZARDS

Electric equipment malfunctions can cause sparks which could ignite flammable material.

Make sure that you keep your work area clean and tidy and do not use the machine near flammable material. If a fire occurs, use an appropriate fire extinguisher.

Do not touch rotating parts after working. Some surfaces may become very hot during use and should be allowed time to cool down before touching them.

### CATEGORY SAFETY WARNINGS

#### SAFE OPERATION

All of the operational levers of the machine must move from one position to the other easily and must not need forcing. The electric cables and in particular the main plug cable must be in perfect condition to avoid the generation of any sparks

or the risk of electric shock. The handgrips and protection devices must be clean and dry as well as securely fastened to the machine. Operate the machine with both hands. Make sure that you always use the correct tool for each job in order to avoid machine failure or injury and avoid overloading the machine. The voltage and frequency ratings of the electricity supply must be within the specifications of the machine. Make sure that the machine switch is off when plugging it in, in order to avoid risk due to unintentional starting. Remove any keys and wrenches from the machine before operating.

Make sure that you stop the machine and unplug it from mains:

- ▶ When mounting or removing accessories and tools.
- ▶ Whenever you leave the machine unattended.
- ▶ During cleaning or maintenance.
- ▶ During machine repositioning, transportation or storage.

In case of a malfunction or jam of the machine, switch the machine off immediately and remove it from power source. The machine should not be started again if the jam is not cleared or the malfunction amended, at an authorized service center when needed. The machine could potentially jam when:

- ▶ The machine is overloaded.
- ▶ The work piece to be machined is jammed.

### ELECTRICITY HAZARDS

Make sure that the electric cables of the machine and the mains plug, that it is connected to, are in good condition and not worn. Never use a damaged machine or a machine with damaged or worn electric cables and plugs. Do not expose the machine and the electric cables to wet conditions and never touch when wet. Use a socket outlet with ground contact.

Do not come in contact with grounded surfaces or electric cables, to avoid the risk of electric shock. Do not use the cable to pull the plug out of the socket.

To prevent damage to the power cable, always lead the power cable away from the rear of the machine and protect it from heat, oil and sharp objects. When the machine is to be used outdoors, use only extension cords intended for outdoor use. The cross section of any extension cable must measure at least 1,5mm<sup>2</sup> and the mains connection must be protected by an appropriate fuse.

### ROTATING PARTS HAZARDS

Rotating parts can cause serious injury. Avoid contacting the rotating parts when they are still in rotation and make sure that you keep anything that could be trapped in the operating machine, such as loose hair and clothing, away. Keep your hands away from the machining area when operating the machine.

Work pieces and tools can ricochet and lead to injury and property damage. Make sure that the machine and tools are always in good condition. Use



clamps or a vice to hold the work piece firmly in position. Do not work on items that are too small to securely clamp in place.

Check for correct alignment of moving and rotating parts or other failures that could be a source of danger. A damaged guard or other part should be replaced by an authorized service center before operating the machine.

Do not touch the rotating parts before they come in complete stop.

### NOISE AND VIBRATION HAZARDS

The noise levels shown in these instructions are the maximum levels for use of the machine. Insufficient maintenance has a significant impact on vibration and noise emissions. Consequently, it is necessary to take preventive steps to eliminate possible damage due to high levels of noise and stress from vibration. Maintain the machine well, wear ear protection devices, anti-vibration gloves and take breaks while working.

### WORKING AREA HAZARDS

Thoroughly inspect the whole work area and use a rake or yard brush to manually loosen debris and remove anything that could be a hazardous source to you or cause damage to the machine. Keep work area clean and tidy. Do not operate the machine in wet environment conditions or when the machine itself is wet. Keep the machine away from flammable material. Check that there are no bystanders, animal or items that could be damaged within the machine's range of action.

Operate only in well ventilated areas. Wood chips and saw dust can be a health hazard when inhaled or when in contact with the eyes. Always wear appropriate half-mask respirator and protective goggles, when working with such materials and use a dust extraction device.

Work only in daylight, or with suitable artificial light, in good visibility conditions. Try not to cause any noise disturbance, by only using this machine at reasonable times of the day.

Take on a firm and well-balanced position. Where possible, avoid working on wet, slippery ground or in any case on uneven or steep ground that does not guarantee stability for the operator.

Storing of tools that are not in use should be done in a dry and safe place away from the operating machine and out of the reach of children.

### REMAINING HAZARDS

The machine was built using modern technology and in accordance with recognized safety rules. Even when all safety measures are in place, some remaining hazards, which are not yet evident, may be present. The operator should use common sense and take necessary precautions to avoid risk due to remaining hazards.

### PRODUCT SPECIFICATIONS

#### INTENDED USE

This machine is designed and manufactured for machining work pieces by cutting e.g. wood mate-

rial pieces. It is not designed for heavy commercial use.

Any other use differing from the above-mentioned ones could be hazardous, harm people and/or damage things and the machine itself.

#### IMPROPER USE

The machine must not be used for machining hazardous materials, e.g. accumulation of inflammable or explosive products and any other object that could be dangerous to the machine itself as well as the operator, bystanders, animals or property.

Other examples of improper use may include, but are not limited to, operation of the machine:

- ▶ Without the original accessories supplied by the manufacturer.
- ▶ With original accessories but in a way not in accordance to the instructions.
- ▶ Without original spare parts.
- ▶ With unauthorized modifications.

#### NOTE

According to the applicable product liability laws, the manufacturer of the device does not assume liability for damages to the product or damages caused by the product that occurs due to:

- ▶ Improper handling no complied with the operating instructions.
- ▶ Repairs by third parties and not by authorized service technicians.
- ▶ Installation of non-original spare parts.
- ▶ Non-intended use.
- ▶ Electrical system breakdown due to power of the machine in a manner not compliant with the electric and VDE regulations.

TECHNICAL DATA		
Article Number	46 614	
Model	SCMS-DB 305 PLUS	
Rated voltage	V	220-240
Rated frequency	Hz	50
Power	W	2.000
No load speed	rpm	4.500
Blade outer diameter	mm	305
Blade bore size	mm	30
Width of cut	mm	2,3
Maximum cutting capacity Mitre 0° / Bevel 0° (W x H)	mm	340 x 102
Maximum cutting capacity Mitre 0° / Bevel (L) 45° (W x H)	mm	340 x 48
Maximum cutting capacity Mitre 0° / Bevel (R) 45° (W x H)	mm	340 x 40

TECHNICAL DATA		
Article Number	46 614	
Model	SCMS-DB 305 PLUS	
Maximum cutting capacity Mitre (L/R) 45° / Bevel 0° (W x H)	mm	235 x 102
Maximum cutting capacity Mitre (L/R) 45° / Bevel (L) 45° (W x H)	mm	235 x 48
Maximum cutting capacity Mitre (L/R) 45° / Bevel (R) 45° (W x H)	mm	235 x 40
Sound pressure level (LpA)	dB(A)	92
Sound power level (LwA)	dB(A)	105
Uncertainty (K)	dB	3
Net weight	kg	19,5

## IDENTIFICATION (FIG. 1, 2)

1. Switch trigger
2. Lower blade guard
3. Base plate
4. Side handle
5. Extension wing
6. Stop plate
7. Guide fence
8. Working clamp
9. Slide lock
10. Motor
11. Carbon brush cap
12. Operation handle
13. Belt cover
14. Shaft lock
15. Bevel level
16. Miter scale
17. Turn lock lever
18. Turn table
19. Laser
20. Stopper arm
21. Blade

## OPERATION

### PREPARING THE UNIT

Unpacking and completing the assembly should be done on a flat and stable surface, with enough space for moving the machine and its packaging, always making use of suitable equipment.

### WARNING

Always unplug your machine from power source before any adjustment.

To assemble the machine:

### Release cutting head

1. Push down slightly on the switch handle.
2. Pull out the stop latch (Fig. 3.1).
3. Allow the cutting head to rise to the up position.

### WARNING

To avoid injury and damage to the saw, transport or store the miter saw with the cutting head locked in the down position using the stop latch. Never use the stop latch to hold the cutting head in a down position for cutting operations.

### Side handle

Insert the miter handle (Fig. 4.1) into the opening in the miter table (Fig 4.2).

### Dust bag

1. Squeeze the metal collar wings (Fig. 5.2) on the dust bag (Fig. 5.1).
2. Place the dust bag neck opening around the exhaust port (Fig. 5.3) and release the metal collar wings.

### WARNING

Do not use the dust bag when machining metals. The hot chips or sparks may ignite saw dust or the bag itself. Clean and remove sawdust from under the saw frequently.

### Extension wings

1. Loosen the knob (Fig. 6.1) then slide the extension table to desired position and tighten the knob.
2. The stop plate is designed for use during repetitive cutting. Only use one stop plate at a time. Rotate the stop plate (Fig. 6.3) to vertical position, and retighten the locking bolt (Fig. 6.2).

### Working clamp

1. Place the working clamp assembly (Fig. 7.1) in one of the mounting holes (Fig. 7.2).
2. The height of the clamp assembly can be adjusted by loosening knob (Fig. 7.3) located in the back of clamp.

### Base plate to bench

Place the saw in the desired location directly on a workbench where there is room for handling and proper support of the work piece. The base of the saw has four mounting holes. Bolt the base of the miter saw (Fig. 8.1) to the workbench (Fig. 8.5) using bolt (Fig. 8.2), rubber washer (Fig. 8.3), flat washers (Fig. 8.4, 8.6), lock washer (Fig. 8.7), nut (Fig. 8.8) and lock nut (Fig. 8.9) as shown.

### NOTE

Mounting hardware is not included with this tool. Bolts, nuts, washers and screws must be purchased separately.

### Lock button

To prevent the switch trigger (Fig. 9.1) from being accidentally pulled, a lower blade guard lock button (Fig. 9.2) is provided. To start the tool, pull the lock button against blade guard and press the switch trigger. Release the switch trigger and lock button to stop.

### WARNING

Before plugging in the tool, always check to see that the switch trigger actuates properly and returns to the "OFF" position when released. Do not press the switch trigger hard without pulling in the lock but-

ton, as this can cause switch breakage. Operating a tool with a switch that does not actuate properly can lead to loss of control and serious personal injury.

### Single-phase motor

The installed electric motor is completely wired ready for operation. The customer's connection to the power supply system, and any extension cables that may be used, must conform with local regulations. Check electrical connection cables regularly for damage. Make sure the cable is disconnected from the mains when checking. The mains voltage must coincide with the voltage specified on the motor's rating plate. The connection to the mains must be protected with an appropriate slow acting fuse and only a socket with the properly installed ground contact must be used.

### OPERATING THE UNIT

#### WARNING

For your own safety, keep the machine switch in off position while performing any of the below adjusting procedures. Machine should be turned on, only if a specific step of the procedure states so and only for that particular step.

#### Stopper arm adjustment

The lower limit position of the blade can be easily adjusted with the stopper arm (Fig. 10.1). To adjust it, move the stopper arm in the direction of the arrow as shown in the figure. Adjust the screw (Fig. 10.2) so that the blade stops at the desired position when fully lowering the handle.

#### Miter angle adjustment

#### WARNING

When adjusting the miter angle, be sure to raise the handle fully. After changing the miter angle, always secure the turn table by tightening the grip firmly.

1. Loosen the grip (Fig. 11.4) by turning it counterclockwise.
2. Turn the turn table while pressing down the lock lever (Fig. 11.3).
3. When you have moved the grip to the position where the pointer (Fig. 11.2) points to the desired angle on the miter scale (Fig. 11.1), securely tighten the grip clockwise.

#### Bevel angle adjustment

#### WARNING

When adjusting the bevel angle, be sure to raise the handle fully.

1. Loosen the lever (Fig. 12.1) at the rear of the tool counterclockwise.
2. Unlock the arm by pushing the handle in the direction that you intend to tilt the saw blade.
3. Tilt the saw blade until the pointer (Fig. 13.3) points to the desired angle on the bevel scale (Fig. 13.4).
4. Tighten the lever (Fig. 13.1) clockwise firmly to secure the arm (Fig. 13.2).

#### Slide lock

To lock the slide pole, turn the locking screw (Fig. 14.1) clockwise.

### Guide fence adjustment

#### WARNING

Before operating the tool, make sure that the sliding fence is secured firmly and that no part of the tool contacts the sliding fence when fully lowering and raising the handle in any position and while moving the carriage through its full range of travel.

1. When performing bevel cuts, slide the sliding fence (Fig. 15.1) to the side and secure it with the clamping screw (Fig. 15.2). This tool is equipped with the sliding fence which should ordinarily be positioned as shown in the figure:
  - ▶ For left bevel cuts, make sure to set the left sliding fence (Fig. 16.1) to the correct position if the tool head contacts it.
  - ▶ For right bevel cuts, make sure to set the right sliding fence (Fig. 16.2) to the correct position if the tool head contacts it.
2. When bevel-cutting operations are complete, return the sliding fence to the original position and secure it by firmly tightening the clamping screw.

#### Laser operation

Before using laser while cutting, two batteries in accessories should be placed in battery box (Fig. 17.2) in right side of the arm. Turn on the laser switch (Fig. 17.1) and check if the laser line (Fig. 17.3) is in the center of the base.

#### Press cut

To cut small work pieces:

1. Push the carriage toward the guide fence fully and tighten the locking screw clockwise to secure the carriage.

#### WARNING

Insufficient tightening of the knob may cause possible kickback which may result in serious personal injury.

2. Secure the work piece correctly with the proper type of vise.
3. Switch on the tool without the blade making any contact and wait until the blade reaches full speed before lowering.
4. Gently lower the handle to the fully lowered position to cut the work piece.
5. When the cut is completed, switch off the tool and wait until the blade has come to a complete stop before returning the blade to its fully elevated position.

#### Slide cut

To cut wide work pieces:

1. Loosen the locking screw counterclockwise so that the carriage can slide freely.
2. Secure the work piece with the proper type of vise.
3. Pull the carriage fully towards you.
4. Switch on the tool without the blade making any contact and wait until the blade reaches full speed before lowering.
5. Press the handle down and push the carriage towards the guide fence and through the work piece.

**WARNING**

Do not start the cut with the carriage not pulled fully towards you, as unexpected kickback may occur resulting in serious personal injury. Never attempt to perform a slide cut by pulling the carriage towards you, as this may cause unexpected kickback resulting in serious personal injury.

- When the cut is completed, switch off the tool and wait until the blade has come to a complete stop before returning the blade to its fully elevated position.

**WARNING**

Never perform the slide cut with the handle locked in the lowered position and never loosen the locking screw which secures the carriage while the blade is rotating. A loose carriage while cutting may cause unexpected kickback resulting in possible in serious personal injury.

**Miter cut**

Refer to the "Miter angle adjustment" section for instructions on how to setup the cut.

**Bevel cut**

Refer to the "Bevel angle adjustment" section for instructions on how to setup the cut.

**WARNING**

After setting the blade for a bevel cut, before operating the tool ensure that the carriage and blade will have free travel throughout the entire range of the intended cut. Interruption of the carriage or blade travel during the cutting operation may result in kickback and serious personal injury.

- Secure the work piece with a vise.
- Make sure the carriage is pulled all the way back toward the operator.
- Switch on the tool without the blade making any contact and wait until the blade reaches full speed.
- Press the handle down and push the carriage towards the guide fence and through the work piece.

**NOTICE**

When pressing down the handle, apply pressure in parallel with the blade. If a force is applied perpendicularly to the turn base or if the pressure direction is changed during a cut, the precision of the cut will be negatively affected.

- When the cut is completed, switch off the tool and wait until the blade has come to a complete stop before returning the blade to its fully elevated position.

**WARNING**

While making a bevel cut keep hands out of the path of the blade. The angle of the blade may confuse the operator as to the actual blade path while cutting and contact with the blade will result in serious personal injury.

**WARNING**

The blade should not be raised until it has come to a complete stop. During a bevel cut the piece cut off may come to rest against the blade. If the blade is raised while it is rotating the cut-off piece may be ejected by the blade which may result in serious personal injury.

**WARNING**

Always make sure that the guide fence does not interfere with any part of the carriage when performing bevel cuts.

**Combination cut**

Combination cutting is the process in which a bevel angle is made at the same time in which a miter angle is being cut on a work piece.

**MAINTENANCE AND CLEANING**

Every six months to one year (depending on frequency and intensity of use), take your machine to the nearest service station facility for the following service operations:

- ▶ Lubrication.
- ▶ Brush inspection and replacement.
- ▶ Mechanical inspection and cleaning (gears, bearings, etc.).
- ▶ Electrical inspection (switch, cord, etc.).
- ▶ Testing to assure proper mechanical and electrical operation.

**WARNING**

For your own safety, turn the switch off and remove plug from power source outlet before any operation of maintenance on the machine. Keep your appliance clean. To avoid motor damage, blow out or vacuum frequently this motor to keep saw dust from interfering with normal motor ventilation.

**MOTOR CARBON BRUSHES**

Remove and check the motor's carbon brushes regularly. Keep them clean and replace if excessive wear is present.

To replace the carbon brushes:

- Use a screwdriver to remove the brush holder cap.
- Take out the worn carbon brushes.
- Insert the new one carbon brushes.

**NOTE**

Carbon brushes should be replaced in identical pairs, regardless of individual wear.

- Secure the brush holder cap. After replacing brushes, plug in the tool and break in brushes by running tool with no load for about 10 minutes. Then check the tool for proper operation and the electric brake for stopping the blade rotation when releasing the switch trigger, according to factory standards.

**CUTTING BLADE****WARNING**

Always use protective gloves when handling the cutting blade and make sure that you have disconnected the machine from the power outlet. Use socket wrench to install or remove the blade. Failure to use the wrench may result in over tightening or insufficient tightening of the hex bolt and serious personal injury.

**Blade removal**

- Unplug the saw from the outlet.
- Allow the cutting head to rise to the upright position. Loosen the cover plate screw (Fig. 9.2)

- with a screwdriver.
- Raise the lower blade guard (Fig. 18.1) to the upper position.
  - Rotate the cover plate (Fig. 18.3) towards the rear of the tool to expose the blade bolt (Fig. 18.4).
  - Place the wrench on the blade bolt.
  - Locate the lock button on the operation handle.
  - Press the lock button holding it in firmly while turning the blade wrench clockwise. The lock will engage after turning the wrench. Continue to hold the lock button in to keep it engaged while turning the wrench clockwise to loosen the blade bolt.
  - Remove the bolt (Fig. 19.1), washer (Fig. 19.2) and the blade (Fig. 19.3). Do not remove the inner blade collar. (Fig. 19.4).

### Blade installation

- Unplug the saw from the outlet.
- Install a 12 in. (305mm) blade with a 1 in. (25,4mm) inner hole, making sure the rotation arrow on the blade matches the clockwise rotation arrow on the upper guard and the blade teeth are pointing downward.
- Place the washer (Fig. 19.2) against the blade and on the shaft. Thread the bolt (Fig. 19.1) in place in a counterclockwise direction.
- Place the wrench on the blade bolt.
- Press the lock button holding it in firmly while turning the blade counterclockwise. When the lock engages continue to press it in while tightening the blade bolt securely.
- Rotate the cover plate (Fig. 18.3) back to its original position until the slot in the cover plate engages with the cover plate screw (Fig. 18.2). While holding the lower blade guard, tighten the screw with a screwdriver.

### NOTE

The lower blade guard must be raised to the upright position to access the cover plate screw.

- Lower the blade guard (Fig. 18.1) and verify the proper operation of the guard.
- Release the lock button so that the blade turns freely.

### WARNING

To avoid injury never use the saw without the cover plate secure in place. It keeps the blade bolt from falling out if it accidentally loosens and helps prevent the spinning blade from coming off the saw. Make sure the collars are clean and properly arranged. Lower the blade into the lower table and check for any contact with the metal base or the miter table.

### POWER CORD

To avoid shock or fire hazard, if the power cord is worn or cut, or damaged in any way, have it replaced immediately. Electrical connection cables often suffer insulation damage. Possible causes are:

- Punch points when connection cables are run through window or door gaps.
- Kinks resulting from incorrect attachment or laying of the connection cable.

- Cuts resulting from running over the connecting cable.
- Insulation damage resulting from forcefully pulling out of the wall socket.
- Cracks through aging of insulation.
- Such defective electrical connection cables must not be used as the insulation damage makes them extremely hazardous.

### LUBRICATION

Periodically lubricate joints of moving parts.

### CLEANING

Use a small soft brush to clean the outside of the unit. Do not use strong detergents. Household cleaners that contain aromatic oils such as pine and lemon and solvents such as kerosene can damage plastic housing or handle. Wipe off any moisture with a soft cloth. Remove dust, dirt and machining residues with an appropriate vacuum cleaner if necessary.

### STORAGE

#### WARNING

Turn the switch off and remove the plug from power source outlet to store the machine. Store the unit only in dry and well ventilated areas.

In case the unit will be stored for an extended time, use the following storage procedure:

- Thoroughly clean the unit and inspect for any loose or damaged parts. Repair or replace damaged parts and tighten loose screws, nuts or bolts.
- Lubricate and apply grease, where required.
- Store the unit in its original packaging.

### ENVIRONMENTAL PROTECTION

Recycle raw materials instead of disposing as waste. Machine, accessories and packaging should be sorted for environment friendly recycling. The plastic components are labeled for categorized recycling.

This product must not be disposed of together with domestic waste in compliance with relative legislation referring to waste of electrical and electronic equipment. This product must be disposed of at a designated collection point. This can occur, for example, by handing it in at an authorized collecting point for the recycling of waste electrical and electronic equipment. Improper handling of waste equipment may have negative consequences for the environment and human health due to potentially hazardous substances that are often contained in electrical and electronic equipment. By properly disposing of this product, you are also contributing to the effective use of natural resources.

You can obtain information on collection points for waste equipment from your municipal administration, public waste disposal authority, an authorized body for the disposal of waste electrical and electronic equipment or your waste disposal company.

## WARRANTY

This product is warranted in accordance with the legal/country specific regulations, effective from the date of purchase by the first user. Damage attributable to normal wear and tear, overload or improper handling will be excluded from the warranty. In case of a claim, please send the machine, completely assembled, to your dealer or the official service center.

## FRANÇAIS

### AVERTISSEMENTS GÉNÉRAUX DE SÉCURITÉ

Lisez et comprenez ce manuel de l'utilisateur avant d'utiliser ce produit. Vous pouvez aider à prévenir les accidents en vous familiarisant avec les commandes de votre produit et en respectant les procédures d'utilisation et les panneaux de sécurité. Utilisez toujours votre bon sens pour éviter toutes les situations considérées au-delà de vos capacités. Ne pas utiliser si vous êtes fatigué ou sous l'influence de drogues, d'alcool ou de tout autre médicament. Gardez à distance les spectateurs et les animaux qui pourraient être blessés, ainsi que les objets qui pourraient être endommagés, pendant le fonctionnement. Ne permettez jamais aux enfants ou aux personnes non familiarisées avec ces instructions d'utiliser le produit. Les lois locales peuvent restreindre l'âge minimum de l'opérateur. Gardez à l'esprit que l'opérateur ou l'utilisateur est responsable des accidents ou des événements imprévus survenant à d'autres personnes, animaux ou à leurs biens. N'exposez pas le produit à une humidité excessive, à la poussière, à la saleté ou aux vapeurs corrosives. Ne montez pas d'équipement ou d'accessoires sur la machine non prévus ou approuvés par le fabricant. N'essayez jamais de modifier le produit. Les modifications ou accessoires non autorisés peuvent entraîner des blessures graves ou la mort de l'opérateur ou d'autres personnes. Consultez votre revendeur agréé pour le démontage et l'entretien, non couverts dans ce manuel. Si quelque chose se brise ou si un accident se produit pendant le travail, éteignez immédiatement la machine et éloignez-la pour éviter d'autres dommages. Si un corps étranger est entré dans la machine, arrêtez-la immédiatement, inspectez-la pour déceler tout dommage et effectuez les réparations avant de la redémarrer.

### ÉQUIPEMENT PROTECTEUR

Assurez-vous que vous utilisez un équipement de protection approprié et certifié lors de l'utilisation de l'unité. Portez toujours des vêtements qui ne gênent pas les mouvements, des gants de protection, des lunettes, un demi-masque respiratoire, une protection auditive et des bottes de sécurité anti-cisaillement à semelles antidérapantes. Ne portez jamais d'écharpes, de colliers ou d'accessoires et vêtements suspendus ou flottants qui pourraient se coincer dans la machine. Attachez vos cheveux s'ils sont longs.

### RISQUES D'INCENDIE ET DE BRÛLURE

Les dysfonctionnements de l'équipement électrique peuvent provoquer des étincelles qui pourraient enflammer des matériaux inflammables.

Assurez-vous de garder votre zone de travail propre et en ordre et n'utilisez pas la machine à proximité de matériaux inflammables. En cas d'incendie, utilisez un extincteur approprié.

Ne touchez pas les pièces rotatives et l'outil de forage après avoir travaillé. Certaines surfaces peuvent devenir très chaudes pendant l'utilisation et doivent avoir le temps de refroidir avant de les toucher.

## AVERTISSEMENTS DE SÉCURITÉ DE CATÉGORIE

### FONCTIONNEMENT SÛR

Tous les leviers de commande de la machine doivent se déplacer facilement d'une position à l'autre et ne doivent pas être forcés. Les câbles électriques et en particulier le câble de la fiche principale doivent être en parfait état pour éviter la génération d'étincelles ou le risque de choc électrique. Les poignées et les dispositifs de protection doivent être propres et secs ainsi que solidement fixés à la machine. Faites fonctionner la machine à deux mains. Assurez-vous que vous utilisez toujours l'outil approprié pour chaque travail afin d'éviter une panne ou des blessures de la machine et éviter de surcharger la machine. Les valeurs nominales de tension et de fréquence de l'alimentation électrique doivent être conformes aux spécifications de la machine. Assurez-vous que l'interrupteur de la machine est éteint lorsque vous le branchez, afin d'éviter les risques dus à un démarrage involontaire. Retirez toutes les clés et clés de la machine avant de l'utiliser. Assurez-vous d'arrêter la machine et de la débrancher du secteur:

- ▶ Lors du montage ou du retrait d'accessoires et d'outils.
- ▶ Chaque fois que vous laissez la machine sans surveillance.
- ▶ Pendant le nettoyage ou l'entretien.
- ▶ Pendant le repositionnement, le transport ou le stockage de la machine.

En cas de dysfonctionnement ou de bourrage de la machine, éteignez immédiatement la machine et retirez-la de la source d'alimentation. La machine ne doit pas être redémarrée si le bourrage n'est pas éliminé ou le dysfonctionnement corrigé, dans un centre de service agréé si nécessaire. La machine peut potentiellement se bloquer lorsque:

- ▶ La machine est surchargée.
- ▶ La pièce à usiner est bloquée.

### DANGERS ÉLECTRIQUES

Assurez-vous que les câbles électriques de la machine et la fiche secteur sur laquelle elle est branchée sont en bon état et non usés. N'utilisez jamais une machine endommagée ou une machine avec des câbles électriques et des prises endommagés ou usés. N'exposez pas la machine et les câbles électriques à des conditions humides et ne les touchez jamais lorsqu'ils sont mouillés. Utilisez une prise de courant avec contact de terre.

Ne pas entrer en contact avec des surfaces mises à la terre ou des câbles électriques, pour éviter tout risque de choc électrique. N'utilisez pas le câble pour retirer la fiche de la prise.

Pour éviter d'endommager le câble d'alimentation, éloignez toujours le câble d'alimentation de l'arrière de la machine et protégez-le de la chaleur, de l'huile et des objets tranchants. Lorsque la machine doit être utilisée à l'extérieur, n'utilisez que des rallonges destinées à une utilisation en extérieur. La section transversale de tout câble

d'extension doit mesurer au moins 1,5mm<sup>2</sup> et la connexion au secteur doit être protégée par un fusible approprié.

### DANGERS LIÉS AUX PIÈCES EN ROTATION

Les pièces en rotation peuvent provoquer des blessures graves. Évitez tout contact avec les pièces rotatives lorsqu'elles sont encore en rotation et assurez-vous de garder à l'écart tout ce qui pourrait être coincé dans la machine en fonctionnement, comme les cheveux lâches et les vêtements. Gardez vos mains éloignées de la zone d'usinage lorsque vous utilisez la machine.

Les pièces de travail et les outils peuvent ricocher et entraîner des blessures et des dommages matériels. Assurez-vous que la machine et les outils sont toujours en bon état. Utilisez des pinces ou un étai pour maintenir fermement la pièce à travailler. Ne travaillez pas sur des objets trop petits pour être bien fixés en place.

Vérifiez l'alignement correct des pièces mobiles et rotatives ou d'autres défaillances qui pourraient être une source de danger. Une protection ou une autre pièce endommagée doit être remplacée par un centre de service agréé avant d'utiliser la machine.

Ne touchez pas les pièces rotatives avant leur arrêt complet.

### RISQUES DE BRUIT ET DE VIBRATION

Les niveaux de bruit indiqués dans ces instructions sont les niveaux maximums d'utilisation de la machine. Un entretien insuffisant a un impact significatif sur les vibrations et les émissions sonores. Par conséquent, il est nécessaire de prendre des mesures préventives pour éliminer les dommages éventuels dus aux niveaux élevés de bruit et de stress dû aux vibrations. Entretenez bien la machine, portez des protections auditives, des gants anti-vibrations et faites des pauses pendant le travail.

### DANGERS DE LA ZONE DE TRAVAIL

Inspectez soigneusement toute la zone de travail et utilisez un râteau ou une brosse de jardin pour décoller manuellement les débris et enlever tout ce qui pourrait être une source dangereuse pour vous ou endommager la machine. Gardez la zone de travail propre et rangée. N'utilisez pas la machine dans des conditions d'environnement humide ou lorsque la machine elle-même est mouillée. Tenez la machine éloignée des matériaux inflammables. Vérifiez qu'il n'y a pas de spectateurs, d'animaux ou d'articles susceptibles d'être endommagés dans la zone d'action de la machine.

Ne faites fonctionner que dans des zones bien ventilées. Les copeaux et la sciure de bois peuvent constituer un danger pour la santé en cas d'inhalation ou de contact avec les yeux. Portez toujours un demi-masque respiratoire et des lunettes de protection appropriés lorsque vous travaillez avec de tels matériaux et utilisez un dispositif d'extraction de poussière.

Travaillez uniquement à la lumière du jour, ou

avec une lumière artificielle appropriée, dans de bonnes conditions de visibilité. Essayez de ne causer aucun bruit, en n'utilisant cette machine qu'à des heures raisonnables de la journée.

Adoptez une position ferme et équilibrée. Dans la mesure du possible, évitez de travailler sur un sol mouillé, glissant ou dans tous les cas sur un sol irrégulier ou escarpé qui ne garantit pas la stabilité de l'opérateur.

Le stockage des outils non utilisés doit être effectué dans un endroit sec et sûr, loin de la machine en fonctionnement et hors de la portée des enfants.

### DANGERS RESTANTS

La machine a été construite en utilisant une technologie moderne et conformément aux règles de sécurité reconnues. Même lorsque toutes les mesures de sécurité sont en place, certains dangers restants, qui ne sont pas encore évidents, peuvent être présents. L'opérateur doit faire preuve de bon sens et prendre les précautions nécessaires pour éviter les risques dus aux dangers restants.

### SPÉCIFICATIONS DU PRODUIT

#### UTILISATION PRÉVUE

Cette machine est conçue et fabriquée pour l'usinage de pièces en coupant par ex. pièces de matériau en bois. Il n'est pas conçu pour un usage commercial intensif.

Toute autre utilisation différente de celles mentionnées ci-dessus peut être dangereuse, blesser des personnes et / ou endommager des choses et la machine elle-même.

#### UTILISATION INCORRECTE

La machine ne doit pas être utilisée pour l'usinage de matières dangereuses, par ex. accumulation de produits inflammables ou explosifs et de tout autre objet qui pourrait être dangereux pour la machine elle-même ainsi que pour l'opérateur, les passants, les animaux ou les biens.

D'autres exemples d'utilisation incorrecte peuvent inclure, mais sans s'y limiter, le fonctionnement de la machine:

- ▶ Sans les accessoires d'origine fournis par le fabricant.
- ▶ Avec des accessoires d'origine mais d'une manière non conforme aux instructions.
- ▶ Sans pièces de rechange d'origine.
- ▶ Avec des modifications non autorisées.

#### REMARQUE

Conformément aux lois sur la responsabilité du produit en vigueur, le fabricant de l'appareil n'assume aucune responsabilité pour les dommages au produit ou les dommages causés par le produit en raison de:

- ▶ Manipulation non conforme non conforme aux instructions d'utilisation.
- ▶ Réparations par des tiers et non par des techniciens de service autorisés.
- ▶ Installation de pièces de rechange non originales.
- ▶ Utilisation non conforme.
- ▶ Panne du système électrique due à une alimenta-

tion de la machine non conforme aux réglementations électriques et VDE.

### SPÉCIFICATIONS TECHNIQUES

N° d' article		46 614
Modèle		SCMS-DB 305 PLUS
Tension	V	220-240
Fréquence	Hz	50
Puissance nominale	W	2.000
Vitesse hors charge	rpm	4.500
Diamètre extérieur de la lame	mm	305
Taille d'alésage de la lame	mm	30
Largeur de coupe	mm	2,3
Capacité de coupe maximale Onglet 0° / Biseau 0° (L x T)	mm	340 x 102
Capacité de coupe maximale Onglet 0° / Biseau (G) 45° (L x T)	mm	340 x 48
Capacité de coupe maximale Onglet 0° / Biseau (D) 45° (L x T)	mm	340 x 40
Capacité de coupe maximale Onglet (G/D) 45° / Biseau 0° (L x T)	mm	235 x 102
Capacité de coupe maximale Onglet (G/D) 45° / Biseau (G) 45° (L x T)	mm	235 x 48
Capacité de coupe maximale Onglet (G/D) 45° / Biseau (D) 45° (L x T)	mm	235 x 40
Niveau de pression acoustique (LpA)	dB(A)	92
Niveau d'intensité acoustique (LwA)	dB(A)	105
Incertitude (K)	dB	3
Poids net	kg	19,5

### IDENTIFICATION (FIG. 1, 2)

1. Déclencheur de commutateur
2. Protège-lame inférieur
3. Plaque de base
4. Poignée latérale
5. Aile d'extension
6. Plaque d'arrêt
7. Guide de clôture
8. Pince de travail
9. Verrouillage coulissant
10. Moteur
11. Capuchon de balai de charbon
12. Poignée d'opération



13. Couverture de ceinture
14. Verrou d'arbre
15. Levier de biseau
16. Échelle d'onglet
17. Tourner le levier de verrouillage
18. Plaque tournante
19. Laser
20. Bras de butée
21. Lame

## OPÉRATION

### PRÉPARATION DE L'UNITÉ

Le déballage et l'achèvement de l'assemblage doivent être effectués sur une surface plane et stable, avec suffisamment d'espace pour déplacer la machine et son emballage, en utilisant toujours un équipement approprié.

### ATTENTION

Débranchez toujours votre machine de la source d'alimentation avant tout réglage.

Pour assembler la machine:

### Relâcher la tête de coupe

1. Appuyez légèrement sur la poignée de l'interrupteur.
2. Retirez le loquet d'arrêt (Fig. 3.1).
3. Laisser la tête de coupe monter en position haute.

### ATTENTION

Pour éviter les blessures et les dommages à la scie, transportez ou stockez la scie à onglets avec la tête de coupe verrouillée en position basse à l'aide du loquet d'arrêt. N'utilisez jamais le loquet d'arrêt pour maintenir la tête de coupe en position basse pour les opérations de coupe.

### Poignée latérale

Insérez la poignée d'onglet (Fig. 4.1) dans l'ouverture de la table d'onglet (Fig. 4.2).

### Sac d'aspirateur

1. Pressez les ailes métalliques du collier (Fig. 5.2) sur le sac à poussière (Fig. 5.1).
2. Placez l'ouverture du col du sac à poussière autour de l'orifice d'échappement (Fig. 5.3) et relâchez les ailes métalliques du collier.

### ATTENTION

N'utilisez pas le sac à poussière lors de l'usinage de métaux. Les copeaux chauds ou les étincelles peuvent enflammer la sciure de bois ou le sac lui-même. Nettoyez et enlevez fréquemment la sciure sous la scie.

### Ailes d'extension

1. Desserrez le bouton (Fig. 6.1) puis faites glisser la table d'extension dans la position désirée et serrez le bouton.
2. La plaque d'arrêt est conçue pour être utilisée lors de coupes répétitives. N'utilisez qu'une seule plaque d'arrêt à la fois. Faites pivoter la plaque d'arrêt (Fig. 6.3) en position verticale et resserrez le boulon de verrouillage (Fig. 6.2).

### Pince de travail

1. Placez l'ensemble de serrage de travail (Fig. 7.1)

dans l'un des trous de montage (Fig. 7.2).

2. La hauteur de la pince peut être réglée en desserrant le bouton (Fig. 7.3) situé à l'arrière de la pince.

### Base plate to bench

Placez la scie à l'emplacement souhaité directement sur un établi où il y a de la place pour la manipulation et un support approprié de la pièce à travailler. La base de la scie comporte quatre trous de montage. Visser la base de la scie à onglets (Fig. 8.7), l'écrou (Fig. 8.8) et le contre-écrou (Fig. 8.9) comme illustré.

### REMARQUE

Le matériel de montage n'est pas inclus avec cet outil. Les boulons, écrous, rondelles et vis doivent être achetés séparément.

### Bouton de verrouillage

Pour éviter que la gâchette de l'interrupteur (Fig. 9.1) ne soit accidentellement tirée, un bouton de verrouillage du protège-lame inférieur (Fig. 9.2) est fourni. Pour démarrer l'outil, tirez le bouton de verrouillage contre le protège-lame et appuyez sur la gâchette de l'interrupteur. Relâchez la gâchette de l'interrupteur et le bouton de verrouillage pour arrêter.

### ATTENTION

Avant de brancher l'outil, vérifiez toujours que la gâchette de l'interrupteur fonctionne correctement et revient à la position «OFF» lorsqu'elle est relâchée. N'appuyez pas trop fort sur la gâchette de l'interrupteur sans appuyer sur le bouton de verrouillage, car cela peut provoquer la rupture de l'interrupteur. L'utilisation d'un outil avec un interrupteur qui ne fonctionne pas correctement peut entraîner une perte de contrôle et des blessures graves.

### Moteur monophasé

Le moteur électrique installé est entièrement câblé et prêt à fonctionner. La connexion du client au système d'alimentation électrique et les rallonges pouvant être utilisées doivent être conformes aux réglementations locales. Vérifiez régulièrement les câbles de connexion électrique pour détecter tout dommage. Assurez-vous que le câble est débranché du secteur lors de la vérification. La tension du secteur doit coïncider avec la tension indiquée sur la plaque signalétique du moteur. La connexion au secteur doit être protégée par un fusible à action lente approprié et seule une prise avec le contact de terre correctement installé doit être utilisée.

### UTILISATION DE L'UNITÉ

#### ATTENTION

Pour votre propre sécurité, maintenez l'interrupteur de la machine en position d'arrêt tout en exécutant l'une des procédures de réglage ci-dessous. La machine ne doit être allumée que si une étape spécifique de la procédure l'indique et uniquement pour cette étape particulière.

### Réglage du bras de butée

La position limite inférieure de la lame peut être

facilement ajustée avec le bras de butée (Fig. 10.1). Pour l'ajuster, déplacez le bras de butée dans le sens de la flèche comme indiqué sur la figure. Ajustez la vis (Fig. 10.2) de sorte que la lame s'arrête à la position désirée lors de l'abaissement complet de la poignée.

### Réglage de l'angle d'onglet

#### ATTENTION

Lors du réglage de l'angle d'onglet, assurez-vous de soulever complètement la poignée. Après avoir changé l'angle d'onglet, fixez toujours la table tournante en serrant fermement la poignée.

1. Desserrez la poignée (Fig. 11.4) en la tournant dans le sens antihoraire.
2. Tournez la table tournante tout en appuyant sur le levier de verrouillage (Fig. 11.3).
3. Lorsque vous avez déplacé la poignée jusqu'à la position où le pointeur (Fig. 11.2) pointe vers l'angle souhaité sur l'échelle d'onglet (Fig. 11.1), serrez fermement la poignée dans le sens des aiguilles d'une montre.

### Réglage de l'angle de biseau

#### ATTENTION

Lors du réglage de l'angle de biseau, assurez-vous de soulever complètement la poignée.

1. Desserrez le levier (Fig. 12.1) à l'arrière de l'outil dans le sens antihoraire.
2. Déverrouillez le bras en poussant la poignée dans la direction dans laquelle vous avez l'intention d'incliner la lame de scie.
3. Inclinez la lame de scie jusqu'à ce que le pointeur (Fig. 13.3) pointe vers l'angle souhaité sur l'échelle de biseau (Fig. 13.4).
4. Serrez fermement le levier (Fig. 13.1) dans le sens des aiguilles d'une montre pour fixer le bras (Fig. 13.2).

### Verrouillage coulissant

Pour verrouiller la tige coulissante, tournez la vis de verrouillage (Fig. 14.1) dans le sens des aiguilles d'une montre.

### Réglage du guide guide

#### ATTENTION

Avant d'utiliser l'outil, assurez-vous que le guide coulissant est fermement fixé et qu'aucune partie de l'outil n'entre en contact avec le guide coulissant lors de l'abaissement et du relèvement de la poignée dans n'importe quelle position et lors du déplacement du chariot sur toute sa plage de déplacement.

1. Lorsque vous effectuez des coupes en biseau, faites glisser le guide coulissant (Fig. 15.1) sur le côté et fixez-le avec la vis de serrage (Fig. 15.2). Cet outil est équipé du guide coulissant qui doit normalement être positionné comme indiqué sur la figure:
  - Pour les coupes en biseau gauche, assurez-vous de régler le guide coulissant gauche (Fig. 16.1) dans la bonne position si la tête de l'outil entre en contact avec lui.
  - Pour les coupes en biseau droit, assurez-vous de régler le guide coulissant droit (Fig. 16.2) dans la bonne position si la tête de l'outil entre

en contact avec lui.

2. Une fois les opérations de coupe en biseau terminées, remettez le guide coulissant dans sa position d'origine et fixez-le en serrant fermement la vis de serrage.

### Fonctionnement du laser

Avant d'utiliser le laser pendant la découpe, deux piles dans les accessoires doivent être placées dans le boîtier de piles (Fig. 17.2) sur le côté droit du bras. Allumez l'interrupteur laser (Fig. 17.1) et vérifiez si la ligne laser (Fig. 17.3) se trouve au centre de la base.

### Coupure de presse

Pour couper de petites pièces:

1. Poussez complètement le chariot vers le guide de guidage et serrez la vis de verrouillage dans le sens des aiguilles d'une montre pour fixer le chariot.

#### ATTENTION

Un serrage insuffisant du bouton peut entraîner un rebond pouvant entraîner des blessures graves.

2. Fixez correctement la pièce à travailler avec le type d'étau approprié.
3. Allumez l'outil sans que la lame n'effectue de contact et attendez que la lame atteigne sa pleine vitesse avant de l'abaisser.
4. Abaissez doucement la poignée en position complètement abaissée pour couper la pièce à travailler.
5. Lorsque la coupe est terminée, éteignez l'outil et attendez que la lame se soit complètement arrêtée avant de remettre la lame dans sa position complètement élevée.

### Coupe coulissante

Pour couper de larges pièces:

1. Desserrez la vis de verrouillage dans le sens antihoraire pour que le chariot puisse coulisser librement.
2. Fixez la pièce à travailler avec le type d'étau approprié.
3. Tirez le chariot complètement vers vous.
4. Allumez l'outil sans que la lame n'effectue de contact et attendez que la lame atteigne sa pleine vitesse avant de l'abaisser.
5. Appuyez sur la poignée et poussez le chariot vers le guide de guidage et à travers la pièce à travailler.

#### ATTENTION

Ne commencez pas la coupe avec le chariot pas complètement tiré vers vous, car un rebond inattendu peut se produire et entraîner des blessures graves. N'essayez jamais d'effectuer une coupe par glissière en tirant le chariot vers vous, car cela pourrait provoquer un rebond inattendu entraînant des blessures graves.

6. Lorsque la coupe est terminée, éteignez l'outil et attendez que la lame se soit complètement arrêtée avant de remettre la lame dans sa position complètement élevée.

#### ATTENTION

N'effectuez jamais la coupe coulissante avec la poignée verrouillée en position abaissée et ne desser-

rez jamais la vis de verrouillage qui maintient le chariot pendant que la lame tourne. Un chariot desserré pendant la coupe peut provoquer un rebond inattendu pouvant entraîner des blessures graves.

### Coupe en onglet

Reportez-vous à la section «Réglage de l'angle d'onglet» pour des instructions sur la configuration de la coupe.

### Coupe en biseau

Reportez-vous à la section «Réglage de l'angle de biseau» pour obtenir des instructions sur la configuration de la coupe.

### ATTENTION

Après avoir réglé la lame pour une coupe en biseau, avant d'utiliser l'outil, assurez-vous que le chariot et la lame se déplacent librement sur toute la plage de coupe prévue. L'interruption du chariot ou de la course de la lame pendant l'opération de coupe peut entraîner un rebond et des blessures graves.

1. Fixez la pièce à travailler avec un étiau.
2. Assurez-vous que le chariot est complètement ramené vers l'opérateur.
3. Allumez l'outil sans que la lame n'effectue de contact et attendez que la lame atteigne sa pleine vitesse.
4. Appuyez sur la poignée et poussez le chariot vers le guide de guidage et à travers la pièce à travailler.

### REMARQUE

Lorsque vous appuyez sur la poignée, appliquez une pression parallèlement à la lame. Si une force est appliquée perpendiculairement à la base de rotation ou si la direction de la pression est modifiée pendant une coupe, la précision de la coupe sera affectée négativement.

5. Lorsque la coupe est terminée, éteignez l'outil et attendez que la lame se soit complètement arrêtée avant de remettre la lame dans sa position complètement élevée.

### ATTENTION

Lorsque vous effectuez une coupe en biseau, gardez les mains hors du chemin de la lame. L'angle de la lame peut dérouter l'opérateur quant au chemin réel de la lame pendant la coupe et le contact avec la lame entraînera des blessures graves.

### ATTENTION

La lame ne doit pas être soulevée tant qu'elle n'est pas complètement arrêtée. Lors d'une coupe en biseau, la pièce coupée peut venir reposer contre la lame. Si la lame est soulevée pendant qu'elle tourne, la pièce coupée peut être éjectée par la lame, ce qui peut entraîner des blessures graves.

### ATTENTION

Assurez-vous toujours que le guide de guidage n'interfère avec aucune partie du chariot lors de l'exécution de coupes en biseau.

### Combinaison cut

La coupe combinée est le processus dans lequel un angle de biseau est réalisé en même temps qu'un angle d'onglet est coupé sur une pièce à usiner.

## ENTRETIEN ET NETTOYAGE

Tous les six mois à un an (selon la fréquence et l'intensité d'utilisation), amenez votre machine à la station-service la plus proche pour les opérations de service suivantes:

- Lubrification.
- Inspection et remplacement des brosses.
- Contrôle mécanique et nettoyage (engrenages, roulements, etc.).
- Inspection électrique (interrupteur, cordon, etc.).
- Test pour assurer un bon fonctionnement mécanique et électrique.

### ATTENTION

Pour votre propre sécurité, éteignez l'interrupteur et retirez la fiche de la prise de courant avant toute opération de maintenance sur la machine. Gardez votre appareil propre. Pour éviter d'endommager le moteur, soufflez ou aspirez fréquemment ce moteur pour éviter que la poussière de scie n'interfère avec la ventilation normale du moteur.

### BROSSES CARBONE MOTEUR

Retirez et vérifiez régulièrement les balais de charbon du moteur. Gardez-les propres et remplacez-les en cas d'usure excessive.

Pour remplacer les balais de charbon:

1. Utilisez un tournevis pour retirer le capuchon du porte-balais.
2. Retirez les balais de charbon usés.
3. Insérez les nouveaux balais de charbon.

### REMARQUE

Les balais de charbon doivent être remplacés par paires identiques, quelle que soit l'usure individuelle.

4. Fixez le capuchon du porte-balais. Après avoir remplacé les brosses, branchez l'outil et brisez les brosses en exécutant l'outil sans charge pendant environ 10 minutes. Vérifiez ensuite le bon fonctionnement de l'outil et le frein électrique pour arrêter la rotation de la lame lorsque vous relâchez la gâchette de l'interrupteur, conformément aux normes d'usine.

### LAME COUPANTE

#### ATTENTION

Utilisez toujours des gants de protection lors de la manipulation de la lame de coupe et assurez-vous que vous avez débranché la machine de la prise de courant. Utilisez une clé à douille pour installer ou retirer la lame. Le fait de ne pas utiliser la clé peut entraîner un serrage excessif ou un serrage insuffisant du boulon hexagonal et des blessures graves.

#### Retrait de la lame

1. Débranchez la scie de la prise.
2. Laissez la tête de coupe s'élever en position verticale. Desserrez la vis du couvercle (Fig. 9.2) avec un tournevis.
3. Soulevez le protège-lame inférieur (Fig. 18.1) en position supérieure.
4. Faites pivoter la plaque de recouvrement (Fig. 18.3) vers l'arrière de l'outil pour exposer le boulon de lame (Fig. 18.4).

- Placez la clé sur le boulon de lame.
- Localisez le bouton de verrouillage sur la poignée de commande.
- Appuyez sur le bouton de verrouillage en le maintenant fermement tout en tournant la clé pour lame dans le sens des aiguilles d'une montre. Le verrou s'enclenchera après avoir tourné la clé. Continuez à maintenir le bouton de verrouillage enfoncé pour le maintenir engagé tout en tournant la clé dans le sens des aiguilles d'une montre pour desserrer le boulon de la lame.
- Retirez le boulon (Fig. 19.1), la rondelle (Fig. 19.2) et la lame (Fig. 19.3). Ne retirez pas le collier de lame interne. (Fig. 19.4).

### Installation de la lame

- Débranchez la scie de la prise.
- Installez la lame de 305mm (12 po) avec un trou intérieur de 1 po (25,4mm), en vous assurant que la flèche de rotation sur la lame correspond à la flèche de rotation dans le sens des aiguilles d'une montre sur la protection supérieure et que les dents de la lame sont orientés vers le bas.
- Placer la rondelle (Fig. 19.2) contre la lame et sur l'arbre. Vissez le boulon (Fig. 19.1) en place dans le sens antihoraire.
- Placez la clé sur le boulon de lame.
- Appuyez sur le bouton de verrouillage en le maintenant fermement tout en tournant la lame dans le sens antihoraire. Lorsque le verrou s'enclenche, continuez à l'enfoncer tout en serrant fermement le boulon de lame.
- Faites pivoter la plaque de recouvrement (Fig. 18.3) dans sa position d'origine jusqu'à ce que la fente de la plaque de recouvrement s'engage avec la vis de la plaque de recouvrement (Fig. 18.2). Tout en tenant le protège-lame inférieur, serrez la vis avec un tournevis.

### REMARQUE

Le protège-lame inférieur doit être relevé en position verticale pour accéder à la vis du couvercle.

- Abaissez le protège-lame (Fig. 18.1) et vérifiez le bon fonctionnement du protège-lame.
- Relâchez le bouton de verrouillage pour que la lame tourne librement.

### ATTENTION

Pour éviter les blessures, n'utilisez jamais la scie sans la plaque de recouvrement bien en place. Il empêche le boulon de la lame de tomber s'il se desserre accidentellement et aide à empêcher la lame en rotation de se détacher de la scie. Assurez-vous que les colliers sont propres et correctement disposés. Abaissez la lame dans la table inférieure et vérifiez tout contact avec la base métallique ou la table à onglets.

### CORDON D'ALIMENTATION

Pour éviter tout risque d'électrocution ou d'incendie, si le cordon d'alimentation est ver, coupé ou endommagé de quelque manière que ce soit, faites-le remplacer immédiatement. Les câbles de connexion électrique subissent souvent des dommages d'isolation. Les causes possibles sont:

- Points de poinçonnage lorsque les câbles de

connexion passent à travers les fentes des fenêtres ou des portes.

- Les plis résultant d'une mauvaise fixation ou pose du câble de raccordement.
- Coupures résultant du passage sur le câble de raccordement.
- Domages d'isolation résultant d'un retrait forcé de la prise murale.
- Fissures dues au vieillissement de l'isolant.
- Ces câbles de connexion électrique défectueux ne doivent pas être utilisés car les dommages d'isolation les rendent extrêmement dangereux.

### LUBRIFICATION

Lubrifiez périodiquement les pièces mobiles.

### NETTOYAGE

Utilisez une petite brosse douce pour nettoyer l'extérieur de l'unité. N'utilisez pas de détergents puissants. Les nettoyeurs ménagers contenant des huiles aromatiques telles que le pin et le citron et des solvants tels que le kérosène peuvent endommager le boîtier ou la poignée en plastique. Essayez toute trace d'humidité avec un chiffon doux. Retirez la poussière, la saleté et les résidus d'usage avec un aspirateur approprié si nécessaire.

### ESPACE DE RANGEMENT

#### ATTENTION:

Éteignez l'interrupteur et retirez la fiche de la prise de courant pour ranger la machine. Stockez l'appareil uniquement dans des zones sèches et bien ventilées. Au cas où l'appareil serait stocké pendant une période prolongée, utilisez la procédure de stockage suivante:

- Nettoyez soigneusement l'unité et inspectez les pièces détachées ou endommagées. Réparez ou remplacez les pièces endommagées et serrez les vis, écrous ou boulons desserrés.
- Lubrifiez et appliquez de la graisse, si nécessaire.
- Stockez l'appareil dans son emballage d'origine.

### PROTECTION ENVIRONNEMENTALE

Recyclez les matières premières au lieu de les éliminer comme déchets. La machine, les accessoires et l'emballage doivent être triés pour un recyclage respectueux de l'environnement. Les composants en plastique sont étiquetés pour un recyclage catégorisé.

Ce produit ne doit pas être jeté avec les déchets ménagers conformément à la législation relative aux déchets d'équipements électriques et électroniques. Ce produit doit être éliminé dans un point de collecte désigné. Cela peut se produire, par exemple, en le déposant dans un point de collecte agréé pour le recyclage des déchets d'équipements électriques et électroniques. Une mauvaise manipulation des équipements usagés peut avoir des conséquences négatives pour l'environnement et la santé humaine en raison des

substances potentiellement dangereuses qui sont souvent contenues dans les équipements électriques et électroniques. En vous débarrassant correctement de ce produit, vous contribuez également à une utilisation efficace des ressources naturelles.

Vous pouvez obtenir des informations sur les points de collecte des déchets d'équipements auprès de votre administration municipale, de l'autorité publique d'élimination des déchets, d'un organisme agréé pour l'élimination des déchets d'équipements électriques et électroniques ou de votre entreprise d'élimination des déchets.

## GARANTIE

Ce produit est garanti conformément aux réglementations légales / nationales, en vigueur à compter de la date d'achat par le premier utilisateur. Les dommages attribuables à l'usure normale, à la surcharge ou à une mauvaise manipulation seront exclus de la garantie. En cas de réclamation, veuillez envoyer la machine, complètement assemblée, à votre revendeur ou au centre de service officiel.

## ITALIANO

### AVVERTENZE GENERALI DI SICUREZZA

Leggere e comprendere il manuale del proprietario prima di utilizzare questo prodotto. Puoi aiutare a prevenire gli incidenti acquisendo familiarità con i controlli del tuo prodotto e osservando procedure operative sicure e segnali di sicurezza. Usa sempre il tuo buon senso per evitare tutte le situazioni considerate oltre le tue capacità. Non utilizzare quando si è stanchi o sotto l'effetto di droghe, alcol o altri farmaci. Tenere lontani gli astanti e gli animali che potrebbero ferirsi, nonché gli oggetti che potrebbero essere danneggiati durante il funzionamento. Non consentire mai a bambini o persone che non hanno familiarità con queste istruzioni di utilizzare il prodotto. Le leggi locali possono limitare l'età minima dell'operatore. Tenere presente che l'operatore o l'utente è responsabile di incidenti o eventi imprevisti che si verificano ad altre persone, animali o loro proprietà. Non esporre il prodotto a umidità eccessiva, polvere, sporco o vapori corrosivi. Non montare apparecchiature o accessori sulla macchina non previsti o approvati dal costruttore. Non tentare mai di modificare il prodotto. Modifiche o accessori non autorizzati possono provocare gravi lesioni personali o la morte dell'operatore o di altri. Consultare il proprio rivenditore autorizzato per lo smontaggio e la manutenzione, non trattati in questo manuale. Se qualcosa si rompe o si verifica un incidente durante il lavoro, spegnere immediatamente la macchina e allontanarla per evitare ulteriori danni. Nel caso in cui un corpo estraneo sia entrato nella macchina, fermarla immediatamente, ispezionarla per eventuali danni ed eseguire le riparazioni prima di riavviarla.

### ATTREZZATURA DI PROTEZIONE

Assicurarsi di utilizzare dispositivi di protezione appropriati e certificati durante il funzionamento dell'unità. Indossare sempre indumenti che non ostacolino i movimenti, guanti protettivi, occhiali, respiratore a semimaschera, protezioni per l'udito e stivali di sicurezza antitaglio con suola antiscivolo. Non indossare mai scarpe, collane o accessori e indumenti appesi o svolazzanti che potrebbero impigliarsi nella macchina. Lega i capelli se sono lunghi.

### RISCHI DI INCENDI E USTIONI

I malfunzionamenti delle apparecchiature elettriche possono causare scintille che potrebbero incendiare materiale infiammabile.

Assicurati di mantenere la tua area di lavoro pulita e in ordine e non usare la macchina vicino a materiale infiammabile. In caso di incendio, utilizzare un estintore appropriato.

Non toccare le parti rotanti e il trapano dopo il lavoro. Alcune superfici possono diventare molto calde durante l'uso e attendere che si raffreddino prima di toccarle.

## CATEGORIA AVVERTENZE DI SICUREZZA

### FUNZIONAMENTO SICURO

Tutte le leve di manovra della macchina devono spostarsi facilmente da una posizione all'altra e non devono essere forzate. I cavi elettrici ed in particolare il cavo della spina principale devono essere in perfetto stato per evitare la generazione di scintille o il rischio di scosse elettriche. Le impugnature e i dispositivi di protezione devono essere puliti e asciutti nonché fissati saldamente alla macchina. Azionare la macchina con entrambe le mani. Assicurarsi di utilizzare sempre l'utensile corretto per ogni lavoro al fine di evitare guasti o lesioni alla macchina ed evitare di sovraccaricare la macchina. I valori di tensione e frequenza dell'alimentazione elettrica devono rientrare nelle specifiche della macchina. Assicurarsi che l'interruttore della macchina sia spento quando si inserisce la spina, per evitare rischi dovuti ad avviamenti accidentali. Rimuovere chiavi e chiavi dalla macchina prima di metterla in funzione.

Assicurarsi di spegnere la macchina e di scollegarla dalla rete:

- ▶ Durante il montaggio o la rimozione di accessori e strumenti.
- ▶ Ogni volta che si lascia la macchina incustodita.
- ▶ Durante la pulizia o la manutenzione.
- ▶ Durante il riposizionamento, il trasporto o lo stoccaggio della macchina.

In caso di malfunzionamento o inceppamento della macchina, spegnere immediatamente la macchina e rimuoverla dall'alimentazione. La macchina non deve essere riavviata se l'inceppamento non è stato eliminato o il malfunzionamento modificato, presso un centro di assistenza autorizzato quando necessario. La macchina potrebbe potenzialmente incepparsi quando:

- ▶ La macchina è sovraccarica.
- ▶ Il pezzo da lavorare è bloccato.

### RISCHI ELETTRICI

Verificare che i cavi elettrici della macchina e la spina di alimentazione a cui è collegata siano in buono stato e non usurati. Non utilizzare mai una macchina danneggiata o una macchina con cavi elettrici e spine danneggiati o usurati. Non esporre la macchina e i cavi elettrici a condizioni di umidità e non toccare mai se bagnati. Utilizzare una presa di corrente con contatto a terra.

Non entrare in contatto con superfici messe a terra o cavi elettrici, per evitare il rischio di scosse elettriche. Non utilizzare il cavo per estrarre la spina dalla presa.

Per evitare danni al cavo di alimentazione, allontanare sempre il cavo di alimentazione dalla parte posteriore della macchina e proteggerlo da calore, olio e oggetti appuntiti. Quando la macchina deve essere utilizzata all'aperto, utilizzare solo prolunghe destinate all'uso esterno. La sezione trasversale di qualsiasi cavo di prolunga deve misurare almeno 1,5mm<sup>2</sup> e il collegamento alla rete deve essere protetto da un fusibile appropriato.

### PERICOLI DA PARTI ROTANTI

Le parti rotanti possono causare lesioni gravi. Evitare di entrare in contatto con le parti rotanti quando sono ancora in rotazione e assicurarsi di tenere lontano tutto ciò che potrebbe essere intrappolato nella macchina operatrice, come capelli sciolti e indumenti. Tenere le mani lontane dall'area di lavorazione durante il funzionamento della macchina.

I pezzi da lavorare e gli strumenti possono rimbalzare e causare lesioni e danni alla proprietà. Assicurarsi che la macchina e gli strumenti siano sempre in buone condizioni. Utilizzare morsetti o una morsa per tenere saldamente in posizione il pezzo da lavorare. Non lavorare su oggetti troppo piccoli per essere fissati saldamente in posizione. Verificare il corretto allineamento delle parti in movimento e rotanti o altri guasti che potrebbero essere fonte di pericolo. Una protezione o altra parte danneggiata deve essere sostituita da un centro di assistenza autorizzato prima di utilizzare la macchina.

Non toccare le parti rotanti prima che si siano completamente fermate.

### RISCHI DI RUMORE E VIBRAZIONI

I livelli di rumorosità riportati in queste istruzioni sono i livelli massimi per l'utilizzo della macchina. Una manutenzione insufficiente ha un impatto significativo sulle vibrazioni e sulle emissioni sonore. Di conseguenza, è necessario adottare misure preventive per eliminare possibili danni dovuti a livelli elevati di rumore e stress da vibrazioni. Mantenere la macchina in buone condizioni, indossare dispositivi di protezione per le orecchie, guanti antivibranti e fare delle pause durante il lavoro.

### PERICOLI DELL'AREA DI LAVORO

Ispezionare accuratamente l'intera area di lavoro e utilizzare un rastrello o una spazzola da giardino per rimuovere manualmente i detriti e rimuovere tutto ciò che potrebbe essere una fonte pericolosa per l'utente o causare danni alla macchina. Mantenere l'area di lavoro pulita e in ordine. Non utilizzare la macchina in condizioni di ambiente umido o quando la macchina stessa è bagnata. Tenere la macchina lontana da materiale infiammabile. Verificare che non vi siano astanti, animali o oggetti che potrebbero essere danneggiati nel raggio d'azione della macchina.

Operare solo in aree ben ventilate. Trucioli e segatura possono rappresentare un pericolo per la salute se inalati o a contatto con gli occhi. Indossare sempre un respiratore a semimaschera appropriato e occhiali protettivi quando si lavora con tali materiali e utilizzare un dispositivo di aspirazione della polvere.

Lavorare solo alla luce del giorno, o con luce artificiale adeguata, in condizioni di buona visibilità. Cerca di non causare alcun disturbo del rumore, utilizzando questa macchina solo in orari ragionevoli della giornata.

Assumi una posizione ferma ed equilibrata. Evitare ove possibile di lavorare su terreno bagnato,

sdruciole o comunque su terreno irregolare o scosceso che non garantisce stabilità all'operatore.

La conservazione degli strumenti non utilizzati deve essere effettuata in un luogo asciutto e sicuro, lontano dalla macchina in funzione e fuori dalla portata dei bambini.

### RISCHI RESIDUI

La macchina è stata costruita utilizzando la tecnologia moderna e in conformità con le norme di sicurezza riconosciute. Anche quando tutte le misure di sicurezza sono in atto, possono essere presenti alcuni pericoli rimanenti, che non sono ancora evidenti. L'operatore deve usare il buon senso e prendere le precauzioni necessarie per evitare il rischio dovuto ai pericoli rimanenti.

### SPECIFICHE DEL PRODOTTO

#### USO PREVISTO

Questa macchina è progettata e prodotta per la lavorazione di pezzi da lavorare tagliando ad es. pezzi di materiale di legno. Non è progettato per un uso commerciale pesante.

Ogni altro utilizzo diverso da quelli sopra indicati potrebbe essere pericoloso, arrecare danno a persone e / o cose e alla macchina stessa.

#### USO IMPROPRIO

La macchina non deve essere utilizzata per la lavorazione di materiali pericolosi, ad es. accumulo di prodotti infiammabili o esplosivi e qualsiasi altro oggetto che possa essere pericoloso per la macchina stessa nonché per l'operatore, le persone presenti, gli animali o le cose.

Altri esempi di uso improprio possono includere, ma non sono limitati, al funzionamento della macchina:

- ▶ Senza gli accessori originali forniti dal produttore.
- ▶ Con accessori originali ma in modo non conforme alle istruzioni.
- ▶ Senza ricambi originali.
- ▶ Con modifiche non autorizzate.

#### NOTA

Secondo le leggi sulla responsabilità del prodotto applicabili, il produttore del dispositivo non si assume alcuna responsabilità per danni al prodotto o danni causati dal prodotto che si verificano a causa di:

- ▶ Uso improprio non rispettate le istruzioni per l'uso.
- ▶ Riparazioni da parte di terzi e non da tecnici dell'assistenza autorizzati.
- ▶ Installazione di parti di ricambio non originali.
- ▶ Uso non previsto.
- ▶ Guasto all'impianto elettrico dovuto all'alimentazione della macchina in modo non conforme alle normative elettriche e VDE.

DATI TECNICI		
Codice prodotto	46 614	
Model	SCMS-DB 305 PLUS	
Voltaggio	V	220-240
Frequenza	Hz	50
Alimentazione	W	2.000
Velocità a vuoto	rpm	4.500
Diametro esterno della lama	mm	305
Dimensione del foro della lama	mm	30
Larghezza di taglio	mm	2,3
Capacità di taglio massima Taglio obliquo 0° / Smusso 0° (L x A)	mm	340 x 102
Capacità di taglio massima Taglio obliquo 0° / Smusso (S) 45° (L x A)	mm	340 x 48
Capacità di taglio massima Taglio obliquo 0° / Smusso (G) 45° (L x A)	mm	340 x 40
Capacità di taglio massima Taglio obliquo (S/G) 45° / Smusso 0° (L x A)	mm	235 x 102
Capacità di taglio massima Taglio obliquo (S/G) 45° / Smusso (S) 45° (L x A)	mm	235 x 48
Capacità di taglio massima Taglio obliquo (S/G) 45° / Smusso (G) 45° (L x A)	mm	235 x 40
Livello di pressione acustica (LpA)	dB(A)	92
Livello di potenza sonora (LwA)	dB(A)	105
Incertezza (K)	dB	3
Peso netto	kg	19,5

### IDENTIFICAZIONE (FIG. 1, 2)

1. Cambia grilletto
2. Paralama inferiori
3. Piastra di base
4. Maniglia laterale
5. Ala di estensione
6. Piastra di arresto
7. Recinzione di guida
8. Morsetto di lavoro
9. Blocco scorrevole
10. Il motore
11. Cappuccio della spazzola di carbone
12. Maniglia di operazione

13. Copertura della cintura
14. Blocco albero
15. Leva smussata
16. Scala obliqua
17. Girare la leva di blocco
18. Girare la tavola
19. Laser
20. Braccio di arresto
21. Lama

## FUNZIONAMENTO

### PREPARAZIONE DELL'UNITÀ

Il disimballaggio e il completamento dell'assemblaggio devono essere effettuati su una superficie piana e stabile, con spazio sufficiente per lo spostamento della macchina e del suo imballaggio, utilizzando sempre attrezzature adeguate.

#### AVVERTIMENTO:

Scollegare sempre la macchina dalla presa di corrente prima di qualsiasi regolazione.

Per montare la macchina:

#### Rilasciare la testa di taglio

1. Spingere leggermente verso il basso la maniglia dell'interruttore.
2. Estrarre il fermo di arresto (Fig. 3.1).
3. Consentire alla testa di taglio di sollevarsi in posizione sollevata.

#### AVVERTIMENTO

Per evitare lesioni e danni alla sega, trasportare o conservare la troncatrice con la testa di taglio bloccata in posizione abbassata utilizzando il fermo di arresto. Non utilizzare mai il fermo di arresto per mantenere la testa di taglio in posizione abbassata durante le operazioni di taglio.

#### Maniglia laterale

Inserire la maniglia per tagli obliqui (Fig. 4.1) nell'apertura del tavolo per tagli obliqui (Fig. 4.2).

#### Sacchetto per la polvere

1. Schiacciare le alette del collare di metallo (Fig. 5.2) sul sacchetto per la polvere (Fig. 5.1).
2. Posizionare l'apertura del collo del sacchetto per la polvere attorno alla porta di scarico (Fig. 5.3) e rilasciare le alette del collare di metallo.

#### AVVERTIMENTO

Non utilizzare il sacchetto per la polvere durante la lavorazione dei metalli. I trucioli o le scintille calde possono incendiare la segatura o il sacchetto stesso. Pulire e rimuovere frequentemente la segatura da sotto la sega.

#### Ali di estensione

1. Allentare la manopola (Fig. 6.1), quindi far scorrere la tavola di estensione nella posizione desiderata e serrare la manopola.
2. La piastra di arresto è progettata per l'uso durante il taglio ripetitivo. Utilizzare solo una piastra di arresto alla volta. Ruotare la piastra di arresto (Fig. 6.3) in posizione verticale e serrare nuovamente il bullone di bloccaggio (Fig. 6.2).

#### Morsetto di lavoro

1. Posizionare il gruppo della pinza di lavoro (Fig. 7.1)

in uno dei fori di montaggio (Fig. 7.2).

2. L'altezza del gruppo del morsetto può essere regolata allentando la manopola (Fig. 7.3) situata nella parte posteriore del morsetto.

#### Piastra di base al banco

Posizionare la sega nella posizione desiderata direttamente su un banco da lavoro dove c'è spazio per la manipolazione e il supporto adeguato del pezzo da lavorare. La base della sega ha quattro fori di montaggio. Imbullonare la base della troncatrice (Fig. 8.1) al banco da lavoro (Fig. 8.5) utilizzando bullone (Fig. 8.2), rondella di gomma (Fig. 8.3), rondelle piatte (Fig. 8.4, 8.6), rondella di sicurezza (Fig. 8.7), dado (Fig. 8.8) e controdado (Fig. 8.9) come mostrato.

#### NOTA

L'hardware di montaggio non è incluso con questo strumento. Bulloni, dadi, rondelle e viti devono essere acquistati separatamente.

#### Pulsante di blocco

Per evitare che il grilletto dell'interruttore (Fig. 9.1) venga premuto accidentalmente, è previsto un pulsante di blocco del coprilama inferiore (Fig. 9.2). Per avviare lo strumento, tirare il pulsante di blocco contro la protezione della lama e premere il grilletto dell'interruttore. Rilasciare il grilletto dell'interruttore e il pulsante di blocco per fermare.

#### AVVERTIMENTO

Prima di collegare lo strumento, controllare sempre che il grilletto dell'interruttore si attivi correttamente e ritorni in posizione "OFF" quando viene rilasciato. Non premere con forza il grilletto dell'interruttore senza tirare il pulsante di blocco, poiché ciò può causare la rottura dell'interruttore. L'utilizzo di uno strumento con un interruttore che non si aziona correttamente può causare la perdita di controllo e gravi lesioni personali.

#### Motore monofase

Il motore elettrico installato è completamente cablato pronto per il funzionamento. Il collegamento del cliente al sistema di alimentazione e le eventuali prolunghe che possono essere utilizzate devono essere conformi alle normative locali. Verificare regolarmente che i cavi di collegamento elettrico non siano danneggiati. Assicurarsi che il cavo sia scollegato dalla rete durante il controllo. La tensione di rete deve coincidere con la tensione specificata sulla targhetta del motore. Il collegamento alla rete deve essere protetto con un appropriato fusibile lento e deve essere utilizzata solo una presa con il contatto di terra correttamente installato.

#### FUNZIONAMENTO DELL'UNITÀ

##### AVVERTIMENTO

Per la propria sicurezza, mantenere l'interruttore della macchina in posizione di spegnimento durante l'esecuzione di una delle seguenti procedure di regolazione. La macchina deve essere accesa, solo se uno specifico passaggio della procedura lo prevede e solo per quel particolare passaggio.



### Regolazione del braccio stopper

La posizione limite inferiore della lama può essere facilmente regolata con il braccio stopper (Fig. 10.1). Per regolarlo, spostare il braccio del fermo nella direzione della freccia come mostrato in figura. Regolare la vite (Fig. 10.2) in modo che la lama si fermi nella posizione desiderata quando si abbassa completamente il manico.

### Regolazione dell'angolo di mitra

#### AVVERTIMENTO

Quando si regola l'angolo di inclinazione, assicurarsi di sollevare completamente la maniglia. Dopo aver modificato l'angolo di mitra, fissare sempre la tavola girevole stringendo saldamente l'impugnatura.

1. Allentare la presa (Fig. 11.4) ruotandola in senso antiorario.
2. Ruotare la tavola girevole mentre si preme la leva di blocco (Fig. 11.3).
3. Dopo aver spostato l'impugnatura nella posizione in cui il puntatore (Fig. 11.2) punta all'angolo desiderato sulla scala obliqua (Fig. 11.1), serrare saldamente l'impugnatura in senso orario.

### Regolazione dell'angolo di smusso

#### AVVERTIMENTO

Quando si regola l'angolo di smusso, assicurarsi di sollevare completamente la maniglia.

1. Allentare la leva (Fig. 12.1) sul retro dell'attrezzo in senso antiorario.
2. Sbloccare il braccio spingendo la maniglia nella direzione in cui si intende inclinare la lama della sega.
3. Inclinare la lama della sega fino a quando l'indice (Fig. 13.3) non indica l'angolo desiderato sulla scala del bisello (Fig. 13.4).
4. Stringere saldamente la leva (Fig. 13.1) in senso orario per fissare il braccio (Fig. 13.2).

### Blocco scorrevole

Per bloccare l'asta scorrevole, ruotare la vite di bloccaggio (Fig. 14.1) in senso orario.

### Regolazione della battuta di guida

#### AVVERTIMENTO

Prima di azionare l'utensile, assicurarsi che la guida scorrevole sia fissata saldamente e che nessuna parte dell'utensile entri in contatto con la guida scorrevole quando si abbassa e si solleva completamente la maniglia in qualsiasi posizione e mentre si sposta il carrello per tutta la sua corsa.

1. Quando si eseguono tagli obliqui, far scorrere lateralmente la guida scorrevole (Fig. 15.1) e fissarla con la vite di fissaggio (Fig. 15.2). Questo utensile è dotato della guida scorrevole che normalmente va posizionata come mostrato in figura:
  - Per i tagli inclinati a sinistra, assicurarsi di impostare la guida scorrevole sinistra (Fig. 16.1) nella posizione corretta se la testa dell'utensile viene a contatto con essa.
  - Per tagli obliqui corretti, assicurarsi di impostare la guida scorrevole destra (Fig. 16.2) nella posizione corretta se la testa dell'utensile viene

a contatto con essa.

2. Al termine delle operazioni di taglio inclinato, riportare la guida scorrevole nella posizione originale e fissarla stringendo saldamente la vite di bloccaggio.

### Operazione laser

Prima di utilizzare il laser durante il taglio, posizionare due batterie negli accessori nel vano batterie (Fig. 17.2) sul lato destro del braccio. Accendere l'interruttore laser (Fig. 17.1) e controllare se la linea laser (Fig. 17.3) si trova al centro della base.

### Premere il taglio

Per tagliare piccoli pezzi da lavorare:

1. Spingere completamente il carrello verso la guida e serrare la vite di bloccaggio in senso orario per fissare il carrello.

### AVVERTIMENTO

Un serraggio insufficiente della manopola può causare un possibile contraccolpo che può provocare gravi lesioni personali.

2. Fissare correttamente il pezzo da lavorare con il tipo appropriato di morsa.
3. Accendere l'utensile senza che la lama entri in contatto e attendere che la lama raggiunga la massima velocità prima di abbassarla.
4. Abbassare delicatamente la maniglia in posizione completamente abbassata per tagliare il pezzo da lavorare.
5. Quando il taglio è completato, spegnere l'utensile e attendere che la lama si sia completamente arrestata prima di riportare la lama nella sua posizione completamente sollevata.

### Taglio a scorrimento

Per tagliare pezzi da lavorare larghi:

1. Allentare la vite di bloccaggio in senso antiorario in modo che il carrello possa scorrere liberamente.
2. Fissare il pezzo da lavorare con il tipo appropriato di morsa.
3. Tirare il carrello completamente verso di sé.
4. Accendere l'utensile senza che la lama entri in contatto e attendere che la lama raggiunga la massima velocità prima di abbassarla.
5. Premere la maniglia verso il basso e spingere il carrello verso la guida e attraverso il pezzo da lavorare.

### AVVERTIMENTO

Non iniziare il taglio con il carrello non completamente tirato verso di sé, poiché potrebbe verificarsi un contraccolpo imprevisto con conseguenti gravi lesioni personali. Non tentare mai di eseguire un taglio scorrevole tirando il carrello verso di sé, poiché ciò potrebbe causare un contraccolpo imprevisto con conseguenti gravi lesioni personali.

6. Quando il taglio è completato, spegnere l'utensile e attendere che la lama si sia completamente arrestata prima di riportare la lama nella sua posizione completamente sollevata.

### AVVERTIMENTO

Non eseguire mai il taglio scorrevole con la maniglia bloccata in posizione abbassata e non allentare mai

la vite di bloccaggio che fissa il carrello durante la rotazione della lama. Un carrello allentato durante il taglio può causare contraccolpi imprevedibili con conseguenti possibili lesioni personali gravi.

### Taglio obliquo

Fare riferimento alla sezione "Regolazione dell'angolo di mitra" per le istruzioni su come impostare il taglio.

### Taglio smussato

Fare riferimento alla sezione "Regolazione dell'angolo di smusso" per istruzioni su come impostare il taglio.

### AVVERTIMENTO

Dopo aver impostato la lama per un taglio inclinato, prima di azionare l'utensile assicurarsi che il carrello e la lama abbiano una corsa libera per tutta la gamma del taglio previsto. L'interruzione del carrello o della corsa della lama durante l'operazione di taglio può provocare contraccolpi e gravi lesioni personali.

1. Fissare il pezzo da lavorare con una morsa.
2. Assicurarsi che il carrello sia tirato completamente indietro verso l'operatore.
3. Accendere l'utensile senza che la lama entri in contatto e attendere che la lama raggiunga la massima velocità.
4. Premere la maniglia verso il basso e spingere il carrello verso la guida e attraverso il pezzo da lavorare.

### NOTA

Quando si preme il manico, esercitare una pressione parallelamente alla lama. Se una forza viene applicata perpendicolarmente alla base girevole o se la direzione della pressione viene modificata durante un taglio, la precisione del taglio sarà influenzata negativamente.

5. Quando il taglio è completato, spegnere l'utensile e attendere che la lama si sia completamente arrestata prima di riportare la lama nella sua posizione completamente sollevata.

### AVVERTIMENTO

Mentre esegui un taglio inclinato, tieni le mani lontane dal percorso della lama. L'angolo della lama può confondere l'operatore in merito al percorso effettivo della lama durante il taglio e il contatto con la lama provocherà gravi lesioni personali.

### AVVERTIMENTO

La lama non deve essere sollevata finché non si è completamente fermata. Durante un taglio obliquo il pezzo tagliato potrebbe poggiare contro la lama. Se la lama viene sollevata mentre sta ruotando, il pezzo di taglio potrebbe essere espulso dalla lama provocando gravi lesioni personali.

### AVVERTIMENTO

Accertarsi sempre che la battuta guida non interferisca con nessuna parte del carrello quando si eseguono tagli inclinati.

### Taglio combinato

Il taglio combinato è il processo in cui viene realizzato un angolo di smusso nello stesso momento in cui viene tagliato un angolo di taglio obliquo su un pezzo da lavorare.

## MANUTENZIONE E PULIZIA

Ogni sei mesi a un anno (a seconda della frequenza e dell'intensità di utilizzo), portare la macchina alla più vicina struttura della stazione di servizio per le seguenti operazioni di assistenza:

- Lubrificazione.
- Ispezione e sostituzione spazzole.
- Ispezione e pulizia meccanica (ingranaggi, cuscinetti, ecc.).
- Ispezione elettrica (interruttore, cavo, ecc.).
- Test per garantire il corretto funzionamento meccanico ed elettrico.

### AVVERTIMENTO

Per la propria sicurezza, spegnere l'interruttore e rimuovere la spina dalla presa di alimentazione prima di qualsiasi operazione di manutenzione sulla macchina. Mantieni pulito il tuo elettrodomestico. Per evitare danni al motore, soffiare o aspirare frequentemente questo motore per evitare che la segatura interferisca con la normale ventilazione del motore.

### SPAZZOLE IN CARBONIO MOTORE

Rimuovere e controllare regolarmente le spazzole in carbone del motore. Tenerli puliti e sostituirli se è presente un'usura eccessiva.

Per sostituire le spazzole di carbone:

1. Utilizzare un cacciavite per rimuovere il cappuccio del portaspazzole.
2. Estrarre le spazzole di carbone usurate.
3. Inserire le nuove spazzole di carbone.

### NOTA

Le spazzole di carbone dovrebbero essere sostituite in coppie identiche, indipendentemente dall'usura individuale.

4. Fissare il cappuccio del portaspazzole. Dopo aver sostituito le spazzole, collegare lo strumento e rompere le spazzole eseguendo lo strumento senza carico per circa 10 minuti. Quindi controllare il corretto funzionamento dell'attrezzo e l'elettrofreno per arrestare la rotazione della lama quando si rilascia il grilletto dell'interruttore, secondo gli standard di fabbrica.

### LAMA TAGLIENTE

#### AVVERTIMENTO

Usare sempre guanti protettivi quando si maneggia la lama di taglio e assicurarsi di aver scollegato la macchina dalla presa di corrente. Utilizzare una chiave a tubo per installare o rimuovere la lama. Il mancato utilizzo della chiave può provocare un serraggio eccessivo o insufficiente del bullone esagonale e gravi lesioni personali.

### Rimozione della lama

1. Scollegare la sega dalla presa.
2. Consentire alla testa di taglio di sollevarsi in posizione verticale. Allentare la vite della piastra di copertura (Fig. 9.2) con un cacciavite.
3. Sollevare la protezione della lama inferiore (Fig. 18.1) nella posizione superiore.
4. Ruotare la piastra di copertura (Fig. 18.3) verso la parte posteriore dell'utensile per esporre il

bullone della lama (Fig. 18.4).

5. Posizionare la chiave sul bullone della lama.
6. Individuare il pulsante di blocco sulla maniglia di manovra.
7. Premere il pulsante di blocco tenendolo saldamente all'interno mentre si gira la chiave a lama in senso orario. Il blocco si attiverà dopo aver ruotato la chiave. Continuare a tenere premuto il pulsante di blocco per mantenerlo innestato mentre si gira la chiave in senso orario per allentare il bullone della lama.
8. Rimuovere il bullone (Fig. 19.1), la rondella (Fig. 19.2) e la lama (Fig. 19.3). Non rimuovere il colare interno della lama. (Fig. 19.4).

### Installazione della lama

1. Scollegare la sega dalla presa.
2. Installare una lama da 305mm (12 pollici) con un foro interno da 25,4 mm (1 pollice), assicurandosi che la freccia di rotazione sulla lama corrisponda alla freccia di rotazione in senso orario sulla protezione superiore e che i denti della lama siano rivolti verso il basso.
3. Posizionate la rondella (Fig. 19.2) contro la lama e sull'albero. Avvitare il bullone (Fig. 19.1) in posizione in senso antiorario.
4. Posizionare la chiave sul bullone della lama.
5. Premere il pulsante di blocco tenendolo saldamente in posizione mentre si ruota la lama in senso antiorario. Quando il blocco si innesta, continuare a premere mentre si serra saldamente il bullone della lama.
6. Ruotare la piastra di copertura (Fig. 18.3) nella sua posizione originale finché la fessura nella piastra di copertura non si innesta con la vite della piastra di copertura (Fig. 18.2). Tenendo la protezione della lama inferiore, serrare la vite con un cacciavite.

### NOTA

La protezione della lama inferiore deve essere sollevata in posizione verticale per accedere alla vite della piastra di copertura.

7. Abbassare la protezione della lama (Fig. 18.1) e verificare il corretto funzionamento della protezione.
8. Rilasciare il pulsante di blocco in modo che la lama giri liberamente.

### AVVERTIMENTO

Per evitare lesioni, non utilizzare mai la sega senza la piastra di copertura fissata in posizione. Impedisce al bullone della lama di cadere se si allenta accidentalmente e aiuta a prevenire la fuoriuscita della lama rotante dalla sega. Assicurati che i collari siano puliti e disposti correttamente. Abbassare la lama nel tavolo inferiore e controllare eventuali contatti con la base di metallo o il tavolo obliquo.

### CAVO DI ALIMENTAZIONE

Per evitare scosse elettriche o incendi, se il cavo di alimentazione è danneggiato, tagliato o danneggiato in qualsiasi modo, farlo sostituire immediatamente. I cavi di collegamento elettrico spesso subiscono danni all'isolamento. Le possibili cause sono:

1. Punzonare i punti quando i cavi di collegamen-

to passano attraverso le fessure di finestre o porte.

2. Attorcigliamenti dovuti a collegamento o posa errati del cavo di collegamento.
3. Tagli derivanti dallo scorrere sul cavo di collegamento.
4. Danni all'isolamento causati dall'estrazione forzata dalla presa a muro.
5. Crepe dovute all'invecchiamento dell'isolamento.
6. Tali cavi di collegamento elettrico difettosi non devono essere utilizzati in quanto i danni all'isolamento li rendono estremamente pericolosi.

### LUBRIFICAZIONE

Lubrificare periodicamente le parti in movimento.

### PULIZIA

Utilizzare una piccola spazzola morbida per pulire l'esterno dell'unità. Non utilizzare detergenti aggressivi. I detergenti per la casa che contengono oli aromatici come pino e limone e solventi come il cherosene possono danneggiare l'involucro o il manico in plastica. Rimuovere l'umidità con un panno morbido. Rimuovere polvere, sporco e residui di lavorazione con un aspirapolvere appropriato se necessario.

### CONSERVAZIONE

#### AVVERTIMENTO

Spegnere l'interruttore e rimuovere la spina dalla presa di corrente per riporre la macchina. Conservare l'unità solo in aree asciutte e ben ventilate.

Nel caso in cui l'unità venga conservata per un periodo di tempo prolungato, utilizzare la seguente procedura di conservazione:

1. Pulire accuratamente l'unità e ispezionare eventuali parti allentate o danneggiate. Riparare o sostituire le parti danneggiate e serrare viti, dadi o bulloni allentati.
2. Lubrificare e applicare grasso, se necessario.
3. Conservare l'unità nella sua confezione originale.

### PROTEZIONE AMBIENTALE

Ricicla le materie prime invece di smaltirle come rifiuti. La macchina, gli accessori e l'imballaggio devono essere selezionati per il riciclaggio rispettoso dell'ambiente. I componenti in plastica sono etichettati per il riciclaggio classificato.

Questo prodotto non deve essere smaltito insieme ai rifiuti domestici in conformità alla normativa relativa ai rifiuti di apparecchiature elettriche ed elettroniche. Questo prodotto deve essere smaltito presso un punto di raccolta designato. Ciò può avvenire, ad esempio, consegnandolo presso un punto di raccolta autorizzato per il riciclaggio di apparecchiature elettriche ed elettroniche. La manipolazione impropria dei rifiuti di apparecchiature può avere conseguenze negative per l'ambiente e la salute umana a causa di sostanze potenzialmente pericolose che sono spesso contenute nelle apparecchiature elettriche ed

elettroniche. Smaltendo correttamente questo prodotto, contribuisce anche all'uso efficace delle risorse naturali.

È possibile ottenere informazioni sui punti di raccolta delle apparecchiature di scarto dall'amministrazione comunale, dall'autorità pubblica per lo smaltimento dei rifiuti, da un ente autorizzato per lo smaltimento dei rifiuti di apparecchiature elettriche ed elettroniche o dalla società di smaltimento dei rifiuti.

## **GARANZIA**

Questo prodotto è garantito in conformità con le normative legali / specifiche del paese, in vigore dalla data di acquisto da parte del primo utente. I danni attribuibili alla normale usura, sovraccarico o uso improprio saranno esclusi dalla garanzia. In caso di reclamo, inviare la macchina, completamente assemblata, al proprio rivenditore o al centro di assistenza ufficiale.

## **ΕΛΛΗΝΙΚΑ**

### **ΓΕΝΙΚΕΣ ΠΡΟΕΙΔΟΠΟΙΗΣΕΙΣ ΑΣΦΑΛΕΙΑΣ**

Διαβάστε και κατανοήστε αυτό το εγχειρίδιο κατόχου προτού θέσετε σε λειτουργία το παρόν μηχάνημα. Μπορείτε να αποφύγετε ατυχήματα αν είστε εξοικειωμένοι με τα χειριστήρια του προϊόντος και τηρώντας τις ασφαλείς διαδικασίες λειτουργίας. Χρησιμοποιείτε πάντα κοινή λογική σκέψη ώστε να αποφύγετε να βρεθείτε σε κατάσταση πέρα των δυνατοτήτων σας. Μη χρησιμοποιείτε το προϊόν όταν είστε κουρασμένοι ή υπό την επήρεια ναρκωτικών, αλκοόλ ή άλλων φαρμακευτικών σκευασμάτων. Κρατείστε παιδιά και τυχόν παρευρισκόμενους μακριά κατά τη λειτουργία του μηχανήματος. Μην επιτρέπετε σε παιδιά ή όσους δεν είναι εξοικειωμένοι με τις οδηγίες χρήσης να χρησιμοποιήσουν το μηχάνημα. Η τοπική νομοθεσία είναι πιθανόν να ορίζει κατώτατη ηλικία χρήστη. Πάντα να θυμάστε πως ο χειριστής ή χρήστης είναι υπεύθυνος για ατυχήματα ή απρόσμενα γεγονότα που τυχόν προκληθούν κατά τη λειτουργία σε άλλους ανθρώπους, ζώα ή την περιοχή τους. Μην εκθέτετε το προϊόν σε υπερβολική υγρασία, σκόνη, βρωμιά ή διαβρωτικούς ατμούς. Μην προσαρμόζετε στο μηχάνημα εξοπλισμό ή αξεσουάρ που μη εγκεκριμένα από τον κατασκευαστή. Ποτέ μην επιχειρήσετε να τροποποιήσετε το προϊόν. Μη εξουσιοδοτημένες τροποποιήσεις ή αξεσουάρ μπορεί να οδηγήσουν σε σοβαρό τραυματισμό ή θάνατο του χειριστή ή άλλων. Συμβουλευτείτε τον εξουσιοδοτημένο αντιπρόσωπό σας για αποσυμφορμολόγηση και επισκευή, που δεν καλύπτεται σε αυτό το εγχειρίδιο. Εάν κάτι σπάσει ή συμβεί ατύχημα κατά τη διάρκεια της εργασίας, απενεργοποιήστε αμέσως το μηχάνημα και μετακινήστε το για να αποφύγετε περαιτέρω ζημιές. Σε περίπτωση που ένα ξένο σώμα εισέλθει στο μηχάνημα, σταματήστε το αμέσως, επιθεωρήστε το για τυχόν ζημιές και πραγματοποιήστε επισκευές προτού το ξαναρχίσετε.

### **ΠΡΟΣΤΑΤΕΥΤΙΚΟΣ ΕΞΟΠΛΙΣΜΟΣ**

Na χρησιμοποιείτε πάντα σχετικό και εγκεκριμένο προστατευτικό εξοπλισμό όταν χρησιμοποιείτε το μηχάνημα. Na φοράτε πάντα ρουχισμό που δεν περιορίζει τις κινήσεις σας, προστατευτικά γάντια, γυαλιά, μάσκα αναπνοής, προστατευτικό εξοπλισμό ακοής και μπότες προστασίας με σόλες υψηλής πρόσφυσης. Na μην φοράτε κασκόλ, κολιέ ή οπουδήποτε αξεσουάρ που κρέμεται ή περισσεύει και θα μπορούσε να παγιδευτεί στο μηχάνημα. Μαζέψτε τα μαλλιά σας αν είναι μακριά.

### **ΚΙΝΔΥΝΟΙ ΠΡΟΚΛΗΣΗΣ ΠΥΡΚΑΓΙΑΣ ΚΑΙ ΕΓΚΑΥΜΑΤΟΣ**

Δυσλειτουργίες ηλεκτρικού εξοπλισμού μπορεί να προκαλέσουν σπινθήρες που θα μπορούσαν να αναφλέξουν εύφλεκτα υλικά.

Βεβαιωθείτε ότι διατηρείτε την περιοχή εργασίας σας καθαρή και τακτοποιημένη και μην χρησιμοποιείτε το μηχάνημα κοντά σε εύφλεκτα υλικά. Σε περίπτωση πυρκαγιάς, χρησιμοποιήστε τον κατάλληλο πυροσβεστήρα.

Μην αγγίζετε τα περιστρεφόμενα μέρη και το εργαλείο κοπής μετά την εργασία. Ορισμένες

επιφάνειες μπορεί να ζεσταθούν πολύ κατά τη χρήση και θα πρέπει να δοθεί χρόνος για να κρυώσουν πριν τις αγγίζετε.

## ΠΡΟΕΙΔΟΠΟΙΗΣΕΙΣ ΑΣΦΑΛΕΙΑΣ ΚΑΤΗΓΟΡΙΑΣ

### ΑΣΦΑΛΗΣ ΛΕΙΤΟΥΡΓΙΑ

Όλοι οι μοχλοί λειτουργίας του μηχανήματος πρέπει να μετακινούνται εύκολα μεταξύ των θέσεών τους και να μη χρειάζεται πίεση. Τα ηλεκτρικά καλώδια και ειδικά το καλώδιο της παροχής πρέπει να είναι σε άριστη κατάσταση για αποφυγή σπινθήρων ή του ρίσκου ηλεκτροσόκ. Οι χειρολαβές και η προστασίας του μηχανήματος πρέπει να είναι καθαρές, στεγνές και επαρκώς σφιγμένες στις θέσεις τους στο μηχανήμα. Χειριστείτε το μηχανήμα και με τα δύο χέρια. Βεβαιωθείτε ότι χρησιμοποιείτε πάντα το σωστό εργαλείο για κάθε εργασία, προκειμένου να αποφύγετε βλάβη του μηχανήματος ή τραυματισμό και αποφύγετε την υπερφόρτωση του μηχανήματος. Οι τιμές τάσης και συχνότητας της παροχής ηλεκτρικής ενέργειας πρέπει να είναι εντός των προδιαγραφών του μηχανήματος. Βεβαιωθείτε ότι ο διακόπτης του μηχανήματος είναι σβησμένος όταν το συνδέετε στη πρίζα, προκειμένου να αποφύγετε τυχόν κίνδυνο λόγω ακούσιας εκκίνησης. Αφαιρέστε τυχόν κλειδιά και εργαλεία από το μηχανήμα πριν από τη λειτουργία.

Σιγουρευτείτε πως έχετε σταματήσει το μηχάνημα και πως το έχετε αποσυνδέσει από την παροχή ρεύματος:

- ▶ Όταν προσαρμολοζετε ή αφαιρείτε αξεσουάρ.
- ▶ Όποτε αφήνετε το μηχανήμα χωρίς επίβλεψη.
- ▶ Κατά τον καθαρισμό ή τη συντήρηση.
- ▶ Κατά την αλλαγή θέσεως, μεταφορά ή αποθήκευση του μηχανήματος.

Σε περίπτωση δυσλειτουργίας ή εμπλοκής του μηχανήματος, απενεργοποιήστε αμέσως το μηχανήμα και αφαιρέστε το από την πηγή τροφοδοσίας. Το μηχανήμα δεν πρέπει να ξεκινήσει ξανά εάν δεν επιλυθεί η εμπλοκή ή η δυσλειτουργία, σε εξουσιοδοτημένο κέντρο σέρβις, όταν χρειάζεται. Το μηχανήμα ενδέχεται να μπλοκάρει όταν:

- ▶ Το μηχανήμα υπερφορτωθεί.
- ▶ Το αντικείμενο προς κατεργασία μπλοκαριστεί.

### ΚΙΝΔΥΝΟΙ ΗΛΕΚΤΡΙΣΜΟΥ

Βεβαιωθείτε ότι τα ηλεκτρικά καλώδια του μηχανήματος και η πρίζα, στην οποία είναι συνδεδεμένο, είναι σε καλή κατάσταση και δεν έχουν φθαρεί. Μη χρησιμοποιείτε ποτέ ένα μηχανήμα με βλάβη ή ένα μηχανήμα με κατεστραμμένα ή φθαρμένα ηλεκτρικά καλώδια και βύσματα. Μην εκθέτετε το μηχανήμα και τα ηλεκτρικά καλώδια σε υγρές συνθήκες και μην αγγίζετε ποτέ όταν είναι βρεγμένο. Χρησιμοποιήστε μια πρίζα με επαφή γείωσης.

Μην έρθετε σε επαφή με γειωμένες επιφάνειες ή ηλεκτρικά καλώδια, για να αποφύγετε τον κίνδυνο ηλεκτροπληξίας. Μην χρησιμοποιείτε το καλώδιο για να τραβήξετε το βύσμα από την πρίζα. Για να αποφύγετε τυχόν ζημιά στο καλώδιο τροφοδοσίας, οδηγείτε πάντα το καλώδιο τροφοδο-

σίας μακριά από το πίσω μέρος του μηχανήματος και προστατεύστε το από θερμότητα, λάδι και αιχμηρά αντικείμενα. Όταν το μηχανήμα πρόκειται να χρησιμοποιηθεί σε εξωτερικούς χώρους, χρησιμοποιήστε μόνο καλώδια επέκτασης που προορίζονται για εξωτερική χρήση. Η διατομή οποιουδήποτε καλωδίου επέκτασης πρέπει να είναι τουλάχιστον 1,5mm<sup>2</sup> και η σύνδεση δικτύου πρέπει να προστατεύεται από κατάλληλη ασφάλεια.

### ΚΙΝΔΥΝΟΙ ΠΕΡΙΣΤΡΕΦΟΜΕΝΩΝ ΜΕΡΩΝ

Τα περιστρεφόμενα μέρη μπορεί να προκαλέσουν σοβαρό τραυματισμό. Αποφύγετε να έρθετε σε επαφή με τα περιστρεφόμενα μέρη όταν βρίσκονται ακόμη σε περιστροφή και βεβαιωθείτε ότι διατηρείτε μακριά οτιδήποτε μπορεί να παγιδευτεί στο εν λειτουργία μηχανήμα, όπως χαλαρά μαλλιά και ρούχα. Κρατήστε τα χέρια σας μακριά από την περιοχή μηχανικής επεξεργασίας κατά τη λειτουργία του μηχανήματος.

Τα αντικείμενα προς κατεργασία και τα εργαλεία μπορούν να εξοστρακισθούν και να προκαλέσουν τραυματισμό και υλικές ζημιές. Βεβαιωθείτε ότι το μηχανήμα και τα εργαλεία είναι πάντα σε καλή κατάσταση. Χρησιμοποιήστε σφιγκτήρες ή μέγγενη για να κρατήσετε το αντικείμενο προς κατεργασία σταθερά στη θέση του. Μην εργάζεστε σε αντικείμενα που είναι πολύ μικρά για να στερεώσουν με ασφάλεια στη θέση τους.

Ελέγξτε ότι είναι σωστή η ευθυγράμμιση κινούμενων και περιστρεφόμενων εξαρτημάτων και για τυχόν αστοχίες που θα μπορούσαν να αποτρέψουν πηγή κινδύνου. Ένας προφυλακτήρας ή άλλο μέρος με ζημιά πρέπει να αντικατασταθεί από εξουσιοδοτημένο κέντρο σέρβις πριν από τη λειτουργία του μηχανήματος.

Μην αγγίζετε τα περιστρεφόμενα μέρη πριν σταματήσουν τελείως.

### ΚΙΝΔΥΝΟΙ ΘΟΡΥΒΟΥ ΚΑΙ ΔΟΝΗΣΕΩΝ

Τα επίπεδα θορύβου που αναφέρονται σε αυτές τις οδηγίες είναι τα μέγιστα επίπεδα για τη χρήση του μηχανήματος. Η ανεπαρκής συντήρηση έχει σημαντικό αντίκτυπο στις εκπομπές κραδασμών και θορύβου. Κατά συνέπεια, είναι απαραίτητο να ληφθούν προληπτικά μέτρα για την εξάλειψη πιθανής ζημιάς λόγω υψηλών επιπέδων θορύβου και πίεσης από κραδασμούς. Συντηρήστε καλά το μηχανήμα, φοράτε συσκευές προστασίας ακοής, γάντια κατά των κραδασμών και κάντε διαλείμματα ενώ εργάζεστε.

### ΚΙΝΔΥΝΟΙ ΣΧΕΤΙΚΟΙ ΜΕ ΤΗΝ ΠΕΡΙΟΧΗ ΕΡΓΑΣΙΑΣ

Επιθεωρήστε διεξοδικά ολόκληρο το χώρο εργασίας και χρησιμοποιήστε μια τσουγκράνα ή σκοόπα για να χαλαρώσετε τυχόν υπολείμματα και να αφαιρέσετε οτιδήποτε μπορεί να αποτελέσει πηγή κινδύνου για εσάς ή να προκαλέσει βλάβη στο μηχανήμα. Διατηρείτε το χώρο εργασίας καθαρό και τακτοποιημένο. Μη χρησιμοποιείτε το μηχανήμα σε υγρές συνθήκες περιβάλλοντος ή όταν το ίδιο το μηχανήμα είναι βρεγμένο. Διατηρείτε το μηχανήμα μακριά από εύφλεκτα υλικά. Ελέγξτε ότι δεν υπάρχουν παρευρισκόμενοι, κα-

τοικίδια ζώα ή αντικείμενα που θα μπορούσαν να υποστούν ζημιά στο εύρος της περιοχής εργασίας του μηχανήματος.

Λειτουργήστε μόνο σε καλά αεριζόμενους χώρους. Τα ρινίσματα και η σκόνη πριονιού μπορεί να είναι επικίνδυνα για την υγεία όταν εισπνέονται ή έρχονται σε επαφή με τα μάτια. Να φοράτε πάντα κατάλληλη προστατευτική μάσκα αναπνοής και προστατευτικά γυαλιά όταν εργάζεστε με τέτοια υλικά και χρησιμοποιήστε μια συσκευή εξαγωγής σκόνης.

Εργαστείτε μόνο κατά τη διάρκεια της ημέρας ή με καλό τεχνητό φως σε καλές συνθήκες ορατότητας. Προσπαθήστε να μην προκαλέσετε αναταραχή λόγω θορύβου, χρησιμοποιώντας το μηχάνημα μόνο σε λογικές ώρες της ημέρας.

Διατηρείτε γερή και καλής ισορροπίας θέση εργασίας. Όπου είναι δυνατόν, αποφύγετε να εργάζεστε σε υγρό, ολισθηρό έδαφος ή σε κάθε περίπτωση σε ανώμαλο ή απότομο έδαφος που δεν εγγυάται σταθερότητα για τον χειριστή.

Η αποθήκευση εργαλείων που δεν χρησιμοποιούνται πρέπει να γίνεται σε ξηρό και ασφαλές μέρος μακριά από το εν λειτουργία μηχάνημα και εκτός πρόσβασης για τα παιδιά.

### ΕΝΑΠΟΜΕΙΝΑΝΤΕΣ ΚΙΝΔΥΝΟΙ

Το μηχάνημα κατασκευάστηκε χρησιμοποιώντας σύγχρονη τεχνολογία και σύμφωνα με αναγνωρισμένους κανόνες ασφαλείας. Ακόμη και όταν εφαρμόζονται όλα τα μέτρα ασφαλείας, ενδέχεται να υπάρχουν ορισμένοι εναπομείναντες κίνδυνοι, οι οποίοι δεν είναι ακόμη εμφανείς. Ο χειριστής πρέπει να χρησιμοποιεί την κοινή λογική και να λαμβάνει τις απαραίτητες προφυλάξεις για να αποφύγει τον κίνδυνο λόγω τυχόν εναπομεινάντων κινδύνων.

### ΠΡΟΔΙΑΓΡΑΦΕΣ ΠΡΟΪΟΝΤΟΣ

#### ΠΡΟΒΛΕΠΟΜΕΝΗ ΧΡΗΣΗ

Το παρόν μηχάνημα έχει σχεδιαστεί και κατασκευαστεί για την μηχανική κατεργασία αντικειμένων μέσω κοπής, πχ. ξύλο. Δεν είναι σχεδιασμένο για βαριά επαγγελματική χρήση.

Κάθε διαφορετική χρήση από τις παραπάνω αναφερόμενες θα μπορούσε να είναι επικίνδυνη, να προκαλέσει βλάβη σε ανθρώπους ή/και ζημιά σε υλικά και το μηχάνημα.

#### ΜΗ ΠΡΟΒΛΕΠΟΜΕΝΗ ΧΡΗΣΗ

Το μηχάνημα δεν πρέπει να χρησιμοποιηθεί για να κατεργαστείτε επικίνδυνα υλικά όπως εύφλεκτα ή εκρηκτικά είδη και τυχόν άλλα αντικείμενα που θα μπορούσαν να είναι επικίνδυνα για το μηχάνημα καθώς και για τον χειριστή, παρευρισκόμενους, ζώα ή περιουσίες.

Παραδείγματα μη προβλεπόμενης χρήσης μπορεί να περιλαμβάνουν, αλλά δεν περιορίζονται στη χρήση του μηχανήματος:

- ▶ Χωρίς γνήσια εξαρτήματα που παρέχονται από τον κατασκευαστή.
- ▶ Με γνήσια εξαρτήματα αλλά με τρόπο που δεν είναι σύμφωνα με τις οδηγίες.
- ▶ Χωρίς γνήσια ανταλλακτικά.

- ▶ Με μη εξουσιοδοτημένες τροποποιήσεις.

#### ΣΗΜΕΙΩΣΗ

Σύμφωνα με τους ισχύοντες νόμους περί ευθύνης προϊόντος, ο κατασκευαστής της συσκευής δεν αναλαμβάνει ευθύνη για ζημιές στο προϊόν ή ζημιές που προκλήθηκαν από το προϊόν που οφείλονται σε:

- ▶ Λανθασμένο χειρισμό μη σύμφωνα με τις οδηγίες χρήσης.
- ▶ Επισκευές από τρίτους και όχι από εξουσιοδοτημένους τεχνικούς σέρβις.
- ▶ Εγκατάσταση μη γνήσιων ανταλλακτικών.
- ▶ Μη προβλεπόμενη χρήση.
- ▶ Βλάβη ηλεκτρικού συστήματος λόγω τροφοδοσίας του μηχανήματος κατά τρόπο που δεν συμμορφώνεται με τους ηλεκτρικούς κανονισμούς VDE και DIN.

ΤΕΧΝΙΚΑ ΧΑΡΑΚΤΗΡΙΣΤΙΚΑ		
Αριθμός προϊόντος		46 614
Μοντέλο	SCMS-DB 305 PLUS	
Ονομαστική τάση	V	220-240
Ονομαστική συχνότητα	Hz	50
Ισχύς	W	2.000
Ταχύτητα χωρίς φορτίο	rpm	4.500
Εξωτερική διάμετρος δίσκου	mm	305
Διάμετρος οπής δίσκου	mm	30
Πλάτος κοπής	mm	2,3
Μέγιστη δυνατότητα κοπής Γωνία 0° / Φάλτσο 0° (Π x Υ)	mm	340 x 102
Μέγιστη δυνατότητα κοπής Γωνία 0° / Φάλτσο 45° (Π x Υ)	mm	340 x 48
Μέγιστη δυνατότητα κοπής Γωνία 0° / Φάλτσο 45° (Π x Υ)	mm	340 x 40
Μέγιστη δυνατότητα κοπής Γωνία 45° / Φάλτσο 0° (Π x Υ)	mm	235 x 102
Μέγιστη δυνατότητα κοπής Γωνία 45° / Φάλτσο 45° (Π x Υ)	mm	235 x 48
Μέγιστη δυνατότητα κοπής Γωνία 45° / Φάλτσο 45° (Π x Υ)	mm	235 x 40
Επίπεδο πίεσης θορύβου (LpA)	dB(A)	92
Επίπεδο ισχύος θορύβου (LwA)	dB(A)	105
Αβεβαιότητα (K)	dB	3
Καθαρό βάρος	kg	19,5

#### ΤΑΥΤΟΠΟΙΗΣΗ ΜΕΡΩΝ (ΕΙΚ. 1, 2)

1. Διακόπτης λειτουργίας
2. Κάτω προφυλακτικής δίσκου κοπής
3. Βάση

4. Πλευρική χειρολαβή
5. Πλευρική προέκταση
6. Επιφάνεια στοπ
7. Οδηγός κοπής
8. Σφικτήρας
9. Ασφάλεια ολίσθησης
10. Μοτέρ
11. Καπάκι ψυκτρών
12. Χειρολαβή λειτουργίας
13. Κάλυμμα ιμάντα
14. Ασφάλεια άξονα
15. Μοχλός ασφάλισης φάλτσου
16. Ένδειξη γωνίας κοπής
17. Μοχλός ασφάλισης περιστροφής
18. Περιστρεφόμενη βάση
19. Λείζερ
20. Μπράτσο στοπ
21. Δίσκος κοπής

## ΛΕΙΤΟΥΡΓΙΑ

### ΠΡΟΕΤΟΙΜΑΖΟΝΤΑΣ ΤΟ ΜΗΧΑΝΗΜΑ

Η αποσυσκευασία και η συναρμολόγηση πρέπει να γίνονται σε επίπεδη και σταθερή επιφάνεια, με επαρκή χώρο για τη μετακίνηση του μηχανήματος και της συσκευασίας του και με τη χρήση κατάλληλου εξοπλισμού.

### ΠΡΟΕΙΔΟΠΟΙΗΣΗ

Αποσυνδέετε πάντα το μηχανήμα σας από την πηγή τροφοδοσίας πριν από οποιαδήποτε ρύθμιση.

Για να συναρμολογήσετε το μηχάνημα:

### Απελευθερώστε την κεφαλή κοπής

1. Πιέστε ελαφρά προς τα κάτω τη λαβή του διακόπτη.
2. Τραβήξτε έξω το στοπ (Εικ. 3.1).
3. Αφήστε την κεφαλή κοπής να ανέβει στην πάνω θέση.

### ΠΡΟΕΙΔΟΠΟΙΗΣΗ

Για να αποφύγετε τραυματισμούς και ζημιές στο δισκοπρίονο, μεταφέρετε ή αποθηκεύστε το με την κεφαλή κοπής κλειδωμένη στην κάτω θέση χρησιμοποιώντας το στοπ (Εικ. 8, 9). Ποτέ μην χρησιμοποιείτε το στοπ για να κρατάτε την κεφαλή κοπής σε χαμηλή θέση για εργασίες κοπής.

### Πλευρική χειρολαβή

Εισαγάγετε τη λαβή γωνίας (Εικ. 4.1) στη θέση της στην περιστρεφόμενη βάση (Εικ. 4.2).

### Σακούλα σκόνης

1. Πιέστε τα μεταλλικά άκρα της ασφάλειας (Εικ. 5.2) στη σακούλα σκόνης (Εικ. 5.1).
2. Τοποθετήστε το άνοιγμα του λαϊμού της σακούλας σκόνης γύρω από τη θύρα εξαγωγής (Εικ. 5.3) και ελευθερώστε τα μεταλλικά άκρα της ασφάλειας.

### ΠΡΟΕΙΔΟΠΟΙΗΣΗ

Μην χρησιμοποιείτε τη σακούλα σκόνης κατά την κατεργασία μετάλλων. Τα καυτά σκραπ ή οι σπινθήρες ενδέχεται να αναφλέξουν τη σκόνη του πριονιού ή την ίδια τη σακούλα. Καθαρίζετε και αφαιρείτε συχνά το πριονίδι κάτω από το δισκοπρίονο.

### Πλευρικές προεκτάσεις

1. Χαλαρώστε το κουμπί (Εικ. 6.1) και στη συνέχεια σύρετε τη βάση επέκτασης στην επιθυμητή θέση και σφίξτε το κουμπί.
2. Η επιφάνεια στοπ έχει σχεδιαστεί για χρήση κατά την επαναλαμβανόμενη κοπή. Χρησιμοποιείτε μόνο μία επιφάνεια στοπ κάθε φορά. Περιστρέψτε την επιφάνεια στοπ (Εικ. 6.3) σε κατακόρυφη θέση και σφίξτε ξανά τη βίδα ασφάλισης (Εικ. 6.2).

### Σφικτήρας

1. Τοποθετήστε το συγκρότημα σφικτήρα (Εικ. 7.1) στην οπή στερέωσης (Εικ. 7.2).
2. Το ύψος του συγκροτήματος σφικτήρα μπορεί να ρυθμιστεί χαλαρώνοντας τη βίδα (Εικ. 7.3) στο πίσω μέρος του σφικτήρα.

### Βάση σε πάγκο εργασίας

Τοποθετήστε το δισκοπρίονο στην επιθυμητή θέση απευθείας πάνω σε έναν πάγκο εργασίας όπου υπάρχει χώρος για χειρισμό και σωστή υποστήριξη του υλικού προς επεξεργασία. Η βάση του δισκοπριονίου έχει τέσσερις οπές στήριξης. Βιδώστε τη βάση του δισκοπριονίου (Εικ. 8.1) στον πάγκο εργασίας (Εικ. 8.5) χρησιμοποιώντας βίδα (Εικ. 8.2), καουτσούκ ροδέλα (Εικ. 8.3), επίπεδες ροδέλες (Εικ. 8.4, 8.6), ροδέλα ασφαλείας (Εικ. 8.7), παξιμάδι (Εικ. 8.8) και παξιμάδι ασφαλείας (Εικ. 8.9) όπως φαίνεται.

### ΣΗΜΕΙΩΣΗ

Το υλικό ασφάλισης δεν περιλαμβάνεται σε αυτό το εργαλείο. Οι βίδες, τα παξιμάδια και οι ροδέλες πρέπει να αγοραστούν ξεχωριστά.

### Κλειδωμα ασφαλείας

Για να αποτραπεί η ακούσια εμπλοκή του διακόπτη λειτουργίας (Εικ. 9.1), παρέχεται ένα κουμπί ασφάλισης της λεπίδας (Εικ. 9.2). Για να ξεκινήσετε το εργαλείο, τραβήξτε το κουμπί ασφαλείας από το προστατευτικό λεπίδας και πατήστε τη σκανδάλη του διακόπτη. Ελευθερώστε το διακόπτη και το κουμπί ασφαλείας για να σταματήσετε.

### ΠΡΟΕΙΔΟΠΟΙΗΣΗ

Πριν συνδέσετε το εργαλείο στην παροχή ρεύματος, ελέγχετε πάντα για να δείτε ότι η σκανδάλη του διακόπτη ενεργοποιείται σωστά και επιστρέφει στη θέση "OFF" όταν απελευθερώνεται. Μην πατάτε τη σκανδάλη του διακόπτη με δύναμη χωρίς να τραβήξετε το κουμπί ασφαλείας, καθώς αυτό μπορεί να προκαλέσει θραύση του διακόπτη. Η χρήση ενός εργαλείου με διακόπτη που δεν λειτουργεί σωστά μπορεί να οδηγήσει σε απώλεια ελέγχου και σοβαρό τραυματισμό.

### Μονοφασικός κινητήρας

Ο εγκατεστημένος ηλεκτροκινητήρας είναι πλήρως συνδεδεμένος και έτοιμος για λειτουργία. Η σύνδεση με το σύστημα τροφοδοσίας και τυχόν καλώδια επέκτασης που μπορεί να χρησιμοποιηθούν, πρέπει να συμμορφώνονται με τους τοπικούς κανονισμούς. Ελέγχετε τακτικά τα καλώδια ηλεκτρικής σύνδεσης για ζημιές. Βεβαιωθείτε ότι το καλώδιο αποσυνδέθηκε από το δίκτυο κατά τον έλεγχο. Η τάση δικτύου πρέπει να συμπίπτει

με την τάση που καθορίζεται στην πινακίδα τύπου του κινητήρα. Η σύνδεση με το δίκτυο πρέπει να προστατεύεται με κατάλληλη ασφάλεια αργής δράσης και πρέπει να χρησιμοποιείται πρίζα με γείωση.

### ΛΕΙΤΟΥΡΓΩΝΤΑΣ ΤΟ ΜΗΧΑΝΗΜΑ ΠΡΟΕΙΔΟΠΟΙΗΣΗ

Για τη δική σας ασφάλεια, κρατήστε το διακόπτη του μηχανήματος σε θέση απενεργοποίησης ενώ εκτελείτε οποιαδήποτε από τις παρακάτω διαδικασίες. Το μηχάνημα πρέπει να είναι ενεργοποιημένο, μόνο εάν ένα συγκεκριμένο βήμα της διαδικασίας δηλώνει έτσι και μόνο για το συγκεκριμένο βήμα.

#### Ρύθμιση στον

Η κάτω οριακή θέση της λεπίδας μπορεί εύκολα να ρυθμιστεί με τον βραχιόνιο στον (Εικ. 10.1). Για να τον ρυθμίσετε, μετακινήστε το βραχιόνιο προς την κατεύθυνση του βέλους όπως απεικονίζεται. Ρυθμίστε τη βίδα (Εικ. 10.2) έτσι ώστε η λεπίδα να σταματά στην επιθυμητή θέση όταν χαμηλώνετε πλήρως τη λαβή.

#### Ρύθμιση γωνίας

### ΠΡΟΕΙΔΟΠΟΙΗΣΗ

Κατά τη ρύθμιση της γωνίας, φροντίστε να σηκώσετε πλήρως τη λαβή. Μετά το ρύθμισμα της γωνίας, να ασφαρίζεται πάντα τη περιστρεφόμενη βάση.

1. Χαλαρώστε τη χειρολαβή (Εικ. 11.4) περιστρέφοντας την αριστερόστροφα.
2. Περιστρέψτε τη βάση πιέζοντας κάτω το μοχλό ασφάλισης (Εικ. 11.3).
3. Όταν έχετε μετακινήσει τη χειρολαβή στη θέση όπου ο δείκτης (Εικ. 11.2) δείχνει στην επιθυμητή γωνία στην κλίμακα του μετρητή (Εικ. 11.1), ασφαλίστε τη χειρολαβή δεξιόστροφα.

#### Ρύθμιση φάλτσου

### ΠΡΟΕΙΔΟΠΟΙΗΣΗ

Κατά τη ρύθμιση του φάλτσου, φροντίστε να σηκώσετε πλήρως τη λαβή.

1. Χαλαρώστε το μοχλό (Εικ. 12.1) στο πίσω μέρος του εργαλείου αριστερόστροφα.
2. Ξεκλειδώστε το βραχιόνιο πιέζοντας τη λαβή προς την κατεύθυνση που σκοπεύετε να γείρετε τη λεπίδα του δισκοπριόνου.
3. Γείρετε την κεφαλή του δισκοπριόνου έως όπου ο δείκτης δείξει προς την επιθυμητή γωνία στην κλίμακα λοξότητας (Εικ. 13.4).
4. Σφίξτε το μοχλό (Εικ. 13.1) δεξιόστροφα για να ασφαλήσετε το βραχιόνιο (Εικ. 13.2).

#### Ασφάλεια ολίσθησης

Για να κλειδώσετε την ολίσθηση, γυρίστε τη βίδα ασφάλισης (Εικ. 14.1) δεξιόστροφα.

#### Ρύθμιση οδηγού κοπής

### ΠΡΟΕΙΔΟΠΟΙΗΣΗ

Πριν από τη λειτουργία του εργαλείου, βεβαιωθείτε ότι ο οδηγός κοπής είναι καλά στερεωμένος και ότι κανένα μέρος του εργαλείου δεν έρχεται σε επαφή με αυτόν όταν χαμηλώνετε πλήρως και ανυψώνετε τη λαβή σε οποιαδήποτε θέση και ενώ κινείτε τη κεφαλή σε όλο το εύρος διαδρομής.

1. Όταν εκτελείτε κοπές φάλτσου, σύρετε το συρόμενο οδηγό (Εικ. 15.1) προς τα πλάγια και ασφαλίστε το με τη βίδα σύσφιξης (Εικ. 15.2). Αυτό το εργαλείο είναι εξοπλισμένο με το συρόμενο οδηγό που θα πρέπει κανονικά να τοποθετηθεί όπως φαίνεται στο σχήμα:

► Για κοπές αριστερού φάλτσου, βεβαιωθείτε ότι θα ρυθμίσετε τον αριστερό συρόμενο οδηγό (Εικ. 16.1) στη σωστή θέση εάν η κεφαλή του εργαλείου τίνει να ακουμπήσει σε αυτόν.

► Για κοπές δεξιού φάλτσου, βεβαιωθείτε ότι θα ρυθμίσετε τον δεξιό συρόμενο οδηγό (Εικ. 16.2) στη σωστή θέση εάν η κεφαλή του εργαλείου τίνει να ακουμπήσει σε αυτόν.

2. Όταν ολοκληρωθούν οι εργασίες κοπής, επαναφέρετε τον συρόμενο οδηγό στην αρχική του θέση και ασφαλίστε τον σφίγγοντας σταθερά τη βίδα σύσφιξης.

#### Λειτουργία λείζερ

Πριν από τη χρήση λείζερ κατά την κοπή, δύο μπαταρίες σε αξεσουάρ πρέπει να τοποθετούνται στο κουτί μπαταρίας (Εικ. 17.2) στη δεξιά πλευρά του βραχιόνου. Ενεργοποιήστε το διακόπτη λείζερ (Εικ. 17.1) και ελέγξτε εάν η γραμμή λείζερ (Εικ. 17.3) βρίσκεται στο κέντρο της βάσης.

#### Βασική κοπή

Για να κόψετε μικρά κομμάτια:

1. Σπρώξτε πλήρως τη κεφαλή προς τον οδηγό κοπής και σφίξτε τη βίδα ασφάλισης ολίσθησης δεξιόστροφα για να ασφαλίσετε το φορείο.

#### ΠΡΟΕΙΔΟΠΟΙΗΣΗ

Η ανεπαρκής σύσφιξη του κουμπιού μπορεί να προκαλέσει πιθανή αναπήδηση της λεπίδας που μπορεί να οδηγήσει σε σοβαρό τραυματισμό.

2. Ασφαλίστε το κομμάτι εργασίας σωστά με τον κατάλληλο τύπο μέγνεσης.
3. Ενεργοποιήστε το εργαλείο χωρίς η λεπίδα να έρθει σε επαφή και περιμένετε έως ότου η λεπίδα φτάσει σε πλήρη ταχύτητα πριν κατεβάσετε.
4. Χαμηλώστε απαλά τη λαβή στην πλήρως χαμηλωμένη θέση για να κόψετε το κομμάτι εργασίας.
5. Όταν ολοκληρωθεί η κοπή, απενεργοποιήστε το εργαλείο και περιμένετε έως ότου η λεπίδα σταματήσει εντελώς πριν επιστρέψετε τη λεπίδα στην πλήρως ανυψωμένη θέση της.

#### Κοπή με ολίσθηση

Για να κόψετε πλατειά κομμάτια:

1. Χαλαρώστε τη βίδα ασφάλισης αριστερόστροφα, έτσι ώστε το φορείο να μπορεί να ολισθαίνει ελεύθερα.
2. Ασφαλίστε το κομμάτι εργασίας σωστά με τον κατάλληλο τύπο μέγνεσης.
3. Τραβήξτε πλήρως το φορείο προς εσάς.
4. Ενεργοποιήστε το εργαλείο χωρίς η λεπίδα να έρθει σε επαφή και περιμένετε έως ότου η λεπίδα φτάσει σε πλήρη ταχύτητα πριν κατεβάσετε.
5. Πιέστε τη λαβή προς τα κάτω και σπρώξτε το φορείο προς τον οδηγό κοπής και μέσα από το κομμάτι εργασίας.



## ΠΡΟΕΙΔΟΠΟΙΗΣΗ

Μην ξεκινάτε το κόψιμο με το φορείο να μην βρίσκεται σε πλήρη έκταση προς εσάς, καθώς μπορεί να προκληθεί απροσδόκητη αναπήδηση με αποτέλεσμα σοβαρό τραυματισμό. Ποτέ μην επιχειρήσετε να πραγματοποιήσετε κοπή με ολίσθηση τραβώντας το φορείο προς εσάς, καθώς αυτό μπορεί να προκαλέσει απροσδόκητη αναπήδηση με αποτέλεσμα σοβαρό τραυματισμό.

- Όταν ολοκληρωθεί η κοπή, απενεργοποιήστε το εργαλείο και περιμένετε έως ότου η λεπίδα σταματήσει εντελώς πριν επιστρέψετε τη λεπίδα στην πλήρως ανυψωμένη θέση της.

## ΠΡΟΕΙΔΟΠΟΙΗΣΗ

Ποτέ μην εκτελείτε κοπή με ολίσθηση με τη λαβή κλειδωμένη στη χαμηλότερη θέση και μην χαλαρώνετε ποτέ τη βίδα ασφάλισης που συγκρατεί το φορείο ενώ περιστρέφεται η λεπίδα. Ένα χαλαρό φορείο κατά την κοπή μπορεί να προκαλέσει απροσδόκητη αναπήδηση με αποτέλεσμα πιθανό σοβαρό τραυματισμό.

### Κοπή υπό γωνία

Ανατρέξτε στην ενότητα "Ρύθμιση γωνίας" για οδηγίες σχετικά με τον τρόπο ρύθμισης της κοπής.

### Κοπή με φάλτσο

Ανατρέξτε στην ενότητα "Ρύθμιση φάλτσου" για οδηγίες σχετικά με τον τρόπο ρύθμισης της κοπής.

## ΠΡΟΕΙΔΟΠΟΙΗΣΗ

Αφού ρυθμίσετε τη λεπίδα για κοπή με φάλτσο, πριν την εκκίνηση του εργαλείου βεβαιωθείτε ότι το φορείο και η λεπίδα έχουν ελεύθερη διαδρομή σε ολόκληρο το εύρος της προβλεπόμενης κοπής. Η διακοπή της διαδρομής του φορείου ή της λεπίδας κατά τη διαδικασία κοπής μπορεί να οδηγήσει σε αναπήδηση και σοβαρό τραυματισμό.

- Ασφαλίστε το κομμάτι εργασίας σωστά με τον κατάλληλο τύπο μέγνης.
- Βεβαιωθείτε ότι το φορείο έχει τραβηχθεί πλήρως προς τα πίσω προς το χειριστή.
- Ενεργοποιήστε το εργαλείο χωρίς η λεπίδα να έρθει σε επαφή και περιμένετε έως ότου η λεπίδα φτάσει σε πλήρη ταχύτητα πριν κατεβάσετε.
- Πιέστε τη λαβή προς τα κάτω και σπρώξτε το φορείο προς τον οδηγό κοπής και μέσα από το κομμάτι εργασίας.

## ΣΗΜΕΙΩΣΗ

Όταν πιέζετε τη λαβή προς τα κάτω, ασκήστε πίεση παράλληλα με τη λεπίδα. Εάν μια δύναμη ασκείται κάθετα στη βάση περιστροφής ή εάν η κατεύθυνση πίεσης αλλάξει κατά τη διάρκεια μιας κοπής, η ακρίβεια της τομής θα επηρεαστεί αρνητικά.

- Όταν ολοκληρωθεί η κοπή, απενεργοποιήστε το εργαλείο και περιμένετε έως ότου η λεπίδα σταματήσει εντελώς πριν επιστρέψετε τη λεπίδα στην πλήρως ανυψωμένη θέση της.

## ΠΡΟΕΙΔΟΠΟΙΗΣΗ

Ενώ κάνετε μια κοπή με φάλτσο, κρατήστε τα χέρια σας μακριά από τη διαδρομή της λεπίδας. Η γωνία της λεπίδας μπορεί να προκαλέσει σύγκυση στον χειριστή ως προς την πραγματική διαδρομή της λε-

πίδας και η επαφή με τη λεπίδα θα οδηγήσει σε σοβαρό τραυματισμό.

## ΠΡΟΕΙΔΟΠΟΙΗΣΗ

Η λεπίδα δεν πρέπει να ανυψωθεί μέχρι να σταματήσει τελείως. Κατά τη διάρκεια της κοπής με φάλτσο, το σκραπ κομμάτι μπορεί να μείνει πάνω στη λεπίδα. Εάν η λεπίδα ανυψωθεί ενώ περιστρέφεται, το κομμένο κομμάτι μπορεί να εκτοξευτεί από τη λεπίδα, οδηγώντας σε σοβαρό τραυματισμό.

## ΠΡΟΕΙΔΟΠΟΙΗΣΗ

Βεβαιωθείτε πάντοτε ότι ο οδηγός κοπής δεν παρεμβάινει σε κανένα τμήμα του φορείου κατά την εκτέλεση της κοπής.

### Συνδιαστική κοπή

Συνδιαστική κοπή είναι η διαδικασία κατά την οποία γίνεται ταυτόχρονα κοπή υπό γωνία και με φάλτσο.

## ΣΥΝΤΗΡΗΣΗ ΚΑΙ ΚΑΘΑΡΙΣΜΟΣ

Κάθε έξι μήνες με ένα έτος (ανάλογα με τη συχνότητα και την ένταση της χρήσης), μεταφέρετε το μηχάνημά σας στο πλησιέστερο κέντρο συντήρησης για τις ακόλουθες λειτουργίες σέρβις:

- Λίπανση.
- Επιθεώρηση και αντικατάσταση ψυκτρώων.
- Μηχανική επιθεώρηση και καθαρισμός (γρανάζι, ρουλεμάν κ.λπ.).
- Ηλεκτρικός έλεγχος (διακοπή, καλώδιο κ.λπ.).
- Δοκιμή για διασφάλιση της σωστής μηχανικής και ηλεκτρικής λειτουργίας.

## ΠΡΟΕΙΔΟΠΟΙΗΣΗ

Για δική σας ασφάλεια, απενεργοποιήστε το μηχάνημα μέσω του διακόπτη και αφαιρέστε το βύσμα από την πρίζα πριν από οποιαδήποτε λειτουργία συντήρησης στο μηχάνημα. Διατηρήστε τη συσκευή σας καθαρή. Για να αποφύγετε την υπερθέρμανση του κινητήρα, ελέγχετε τακτικά τα ανοίγματα αέρα για τυχόν σκόνη.

## ΨΗΚΤΡΕΣ ΜΟΤΕΡ

Αφαιρέστε και ελέγξτε τακτικά τις ψήκτρες του κινητήρα. Διατηρήστε τις καθαρές και αντικαταστήστε εάν υπάρχει υπερβολική φθορά.

Για να αντικαταστήσετε τις ψήκτρες:

- Χρησιμοποιήστε ένα κατσαβίδι για να αφαιρέσετε το κάλυμμα της βάσης των ψυκτρώων.
- Αφαιρέστε τις φθαρμένες ψήκτρες.
- Τοποθετήστε καινούργιες ψήκτρες.

## ΣΗΜΕΙΩΣΗ

Οι ψήκτρες πρέπει να αντικαθίστανται σε πανομοιότυπα ζεύγη, ανεξάρτητα από τη μεμονωμένη φθορά.

- Ασφαλίστε το κάλυμμα των ψυκτρώων. Αφού αντικαταστήσετε τις ψήκτρες, συνδέστε το εργαλείο και "στρώστε" τις βούρτσες χρησιμοποιώντας το εργαλείο χωρίς φορτίο για περίπου 10 λεπτά. Στη συνέχεια, ελέγξτε το εργαλείο για σωστή λειτουργία και το ηλεκτρικό φρένο πως σταματάει την περιστροφή της λεπίδας κατά την απελευθέρωση του διακόπτη λειτουργίας, σύμφωνα με τα εργοστασιακά πρότυπα.

## ΔΙΣΚΟΣ ΚΟΠΗΣ ΠΡΟΕΙΔΟΠΟΙΗΣΗ

Χρησιμοποιείτε πάντα προστατευτικά γάντια κατά το χειρισμό του δίσκου κοπής και βεβαιωθείτε ότι έχετε αποσυνδέσει το μηχανήμα από την πρίζα. Χρησιμοποιήστε το κλειδί υποδοχής για να εγκαταστήσετε ή να αφαιρέσετε το δίσκο. Η μη χρήση του κλειδιού μπορεί να οδηγήσει σε υπερβολική σύσφιξη ή ανεπαρκή σύσφιξη της εξάγωνης βίδας και σοβαρό τραυματισμό.

### Αφαίρεση δίσκου κοπής

1. Αποσυνδέστε το δισκοκρίνιο από την πρίζα.
2. Αφήστε την κεφαλή κοπής να ανέβει στην όρθια θέση. Χαλαρώστε τη βίδα του καλύμματος (Εικ. 9.2) με ένα κατσαβίδι.
3. Σηκώστε το κάτω προστατευτικό λεπίδας (Εικ. 18.1) στην άνω θέση.
4. Περιστρέψτε το κάλυμμα (Εικ. 18.3) προς το πίσω μέρος του εργαλείου για να εμφανίσετε την βίδα του δίσκου (Εικ. 18.4).
5. Τοποθετήστε το κλειδί στη βίδα του δίσκου.
6. Εντοπίστε το κουμπί κλειδώματος στη χειρολαβή λειτουργίας.
7. Πατήστε το κουμπί κλειδώματος κρατώντας το σταθερά ενώ περιστρέφετε το κλειδί του δίσκου δεξιόστροφα. Το κλειδί του δίσκου θα εμπλακεί μετά την περιστροφή του κλειδιού. Συνεχίστε να κρατάτε πατημένο το κουμπί κλειδώματος για να το διατηρήσετε ενώ περιστρέφετε το κλειδί δεξιόστροφα για να χαλαρώσετε τη βίδα του δίσκου.
8. Αφαιρέστε τη βίδα (Εικ. 19.1), τη ροδέλα (Εικ. 19.2) και τη λεπίδα (Εικ. 19.3). Μην αφαιρείται τον εσωτερικό αποστάτη (Εικ. 19.4).

### Τοποθέτηση δίσκου

1. Αποσυνδέστε το δισκοκρίνιο από την πρίζα.
2. Εγκαταστήστε έναν δίσκο 12 in. (305 mm) με μια εσωτερική οπή 1 in. (25,4 mm), έχοντας βεβαιωθεί ότι το βέλος περιστροφής στο δίσκο ταιριάζει με το βέλος περιστροφής δεξιόστροφα στο πάνω προστατευτικό και τα δόντια του δίσκου δείχνουν προς τα κάτω.
3. Τοποθετήστε τη ροδέλα (Εικ. 19.2) πάνω στη λεπίδα και στον άξονα. Βιδώστε τη βίδα (Εικ. 19.1) στη θέση της αριστερόστροφα με το χέρι.
4. Τοποθετήστε το κλειδί στη βίδα του δίσκου.
5. Πατήστε το κουμπί κλειδώματος κρατώντας το σταθερά ενώ περιστρέφετε το δίσκο αριστερόστροφα. Όταν η ασφάλεια κλειδώσει συνεχίστε να την πιέζετε ενώ σφίγγετε τη βίδα.
6. Περιστρέψτε το κάλυμμα (Εικ. 18.3) πίσω στην αρχική του θέση έως ότου η εγχοπή στο κάλυμμα εμπλακεί με τη βίδα του (Εικ. 18.2). Κρατώντας το κάτω προστατευτικό λεπίδας, σφίξτε τη βίδα με ένα κατσαβίδι.

### ΣΗΜΕΙΩΣΗ

Το κάτω προστατευτικό λεπίδας πρέπει να ανυψωθεί στην όρθια θέση για πρόσβαση στη βίδα του καλύμματος.

7. Χαμηλώστε το προστατευτικό λεπίδας (Εικ. 16C) και επαληθεύστε τη σωστή λειτουργία του προστατευτικού.
8. Ελευθερώστε το κουμπί της ασφάλισης ώστε η

λεπίδα να περιστρέφεται ελεύθερα.

## ΠΡΟΕΙΔΟΠΟΙΗΣΗ

Για να αποφύγετε τραυματισμούς, μη χρησιμοποιείτε ποτέ το μηχανήμα χωρίς να είναι ασφαλισμένο το κάλυμμα. Διατηρεί τη βίδα του δίσκου από το να πέσει εάν κατά λάθος χαλαρώσει και βοηθά στην αποτροπή του δίσκου από το να αποκολληθεί από το δισκοκρίνιο. Βεβαιωθείτε ότι τα κολλάρα είναι καθαρά και σωστά τοποθετημένα. Χαμηλώστε τη λεπίδα στο κάτω τραπέζι και ελέγξτε για οποιαδήποτε επαφή με τη μεταλλική βάση ή το τραπέζι κοπής.

## ΚΑΛΩΔΙΟ ΤΡΟΦΟΔΟΣΙΑΣ

Για να αποφύγετε τον κίνδυνο ηλεκτροσόκ ή πυρκαγιάς, εάν το καλώδιο τροφοδοσίας είναι φθαρμένο ή κομμένο ή έχει υποστεί ζημιά με οποιοδήποτε τρόπο, αντικαταστήστε το αμέσως. Τα καλώδια ηλεκτρικής σύνδεσης συχνά παθαίνουν ζημιά μόνωσης. Πιθανές αιτίες είναι:

1. Διάρθρωση όταν τα καλώδια σύνδεσης περνούν μέσω κενών σε παράθυρα ή πόρτες.
2. Τάσκιση από περιστροφή που προκύπτει από εσφαλμένη σύνδεση ή τοποθέτηση του καλωδίου σύνδεσης.
3. Κοψίματα που προκύπτουν όταν το καλώδιο σύνδεσης πατηθεί.
4. Ζημιά μόνωσης που προκύπτει από την βίαιη έξοδο του βύσματος από την πρίζα.
5. Ρωγμές λόγω γήρανσης της μόνωσης.
6. Τέτοια ελαττωματικά καλώδια ηλεκτρικής σύνδεσης δεν πρέπει να χρησιμοποιούνται καθώς η ζημιά μόνωσης τα καθιστά εξαιρετικά επικίνδυνα.

## ΛΙΠΑΝΣΗ

Λιπάνετε περιοδικά τα κινούμενα μέρη. Μην λαδώνετε τον κινητήρα.

## ΚΑΘΑΡΙΣΜΟΣ

Χρησιμοποιήστε μια μικρή μαλακή βούρτσα για να καθαρίσετε το εξωτερικό του μηχανήματος. Μην χρησιμοποιείτε ισχυρά απορρυπαντικά. Τα οικιακά καθαριστικά που περιέχουν αρωματικά έλαια όπως πεύκο και λεμόνι και διαλύτες όπως κηροζίνη μπορούν να προκαλέσουν ζημιά στο πλαστικό περίβλημα ή στη λαβή. Σκουπίστε τυχόν υγρασίες με ένα μαλακό πανί. Αφαιρέστε σκόνη, βρωμιά και κατάλοιπα κατεργασίας με κατάλληλη σκούπα αναρρόφησης αν είναι απαραίτητο.

## ΑΠΟΘΗΚΕΥΣΗ ΠΡΟΕΙΔΟΠΟΙΗΣΗ

Κλείστε τον διακόπτη και αφαιρέστε το φως από την πρίζα για να αποθηκεύσετε το μηχανήμα. Αποθηκεύστε τη μονάδα μόνο σε ξηρούς και καλά αεριζόμενους χώρους.

Σε περίπτωση που η μονάδα θα αποθηκευτεί για μεγάλο χρονικό διάστημα, χρησιμοποιήστε την ακόλουθη διαδικασία αποθήκευσης:

1. Καθαρίστε σχολαστικά τη μονάδα και ελέγξτε για τυχόν χαλαρά ή κατεστραμμένα μέρη. Επισκευάστε ή αντικαταστήστε τα μέρη που έχουν ζημιά και σφίξτε τις χαλαρές βίδες, τα παξιμάδια ή τους κοχλίες.
2. Λιπάνετε και εφαρμόστε γράσο, όπου απαιτείται.

3. Αποθηκεύστε τη μονάδα στην εργοστασιακή τη συσκευασία.

## ΠΡΟΣΤΑΣΙΑ ΤΟΥ ΠΕΡΙΒΑΛΛΟΝΤΟΣ

Ανακυκλώστε τις πρώτες ύλες αντί να τις απορρίψετε. Το μηχάνημα, τα αξεσουάρ και οι συσκευασίες πρέπει να ταξινομούνται για φιλική προς το περιβάλλον ανακύκλωση. Τα πλαστικά εξαρτήματα επισημαίνονται για κατηγοριοποιημένη ανακύκλωση.

Αυτό το προϊόν δεν πρέπει να απορρίπτεται μαζί με οικιακά απόβλητα σύμφωνα με τη σχετική νομοθεσία που αναφέρεται σε απόβλητα ηλεκτρικού και ηλεκτρονικού εξοπλισμού. Αυτό το προϊόν πρέπει να απορριφθεί σε καθορισμένο σημείο συλλογής. Αυτό μπορεί να συμβεί, για παράδειγμα, παραδίδοντάς το σε εξουσιοδοτημένο σημείο συλλογής για την ανακύκλωση απορριμμάτων ηλεκτρικού και ηλεκτρονικού εξοπλισμού. Ο ακατάλληλος χειρισμός απορριμμάτων εξοπλισμού μπορεί να έχει αρνητικές συνέπειες για το περιβάλλον και την ανθρώπινη υγεία λόγω δυνητικά επικίνδυνων ουσιών που συχνά περιέχονται σε ηλεκτρικό και ηλεκτρονικό εξοπλισμό. Με τη σωστή απόρριψη αυτού του προϊόντος, συμβάλλετε επίσης στην αποτελεσματική χρήση των φυσικών πόρων.

Μπορείτε να λάβετε πληροφορίες σχετικά με τα σημεία συλλογής απορριμμάτων από τη δημοτική σας διοίκηση, τη δημόσια αρχή διάθεσης απορριμμάτων, έναν εξουσιοδοτημένο φορέα για τη διάθεση απορριμμάτων ηλεκτρικού και ηλεκτρονικού εξοπλισμού ή την εταιρεία διάθεσης αποβλήτων.

## ΕΓΓΥΗΣΗ

Αυτό το προϊόν είναι εγγυημένο σύμφωνα με τους νόμους / ειδικούς κανονισμούς ανά χώρα, από την ημερομηνία αγοράς του από τον χρήστη. Ζημιές που οφείλονται σε φυσιολογική φθορά, υπερφόρτωση ή ακατάλληλο χειρισμό θα εξαιρεθούν από την εγγύηση. Σε περίπτωση αξίωσης, στείλτε το μηχάνημα, πλήρως συναρμολογημένο, στον αντιπρόσωπό σας ή στο επίσημο κέντρο σέρβις.

## SRPSKI

## OPŠTA BEZBEDNOSNA UPOZORENJA

Pročitajte i razumete uputstvo ovog vlasnika pre rada ovog proizvoda. Možete da sprečite nezgode tako što ćete biti upoznati sa kontrolama proizvoda i pridržavanjem bezbednih operativnih procedura i bezbednosnih znakova. Uvek koristite zdrav razum da izbegnete sve situacije koje se smatraju izvan vaše mogućnosti. Nemojte koristiti dok ste umorni ili pod uticajem droga, alkohola ili bilo kojih drugih lekova. Zadržite prolaznike i životinje koje bi mogle biti povređene, kao i predmete koji bi mogli biti oštećeni, dok rade. Nikada ne dozvolite deci ili osobama koje nisu upoznate sa ovim uputstvima da koriste proizvod. Lokalni zakoni mogu da ograniče minimalnu starosnu granicu operatera. Imajte na umu da je operater ili korisnik odgovoran za nesreće ili neočekivane događaje koji se dešavaju drugim ljudima, životinjama ili njihovoj imovini. Ne izlažite proizvod prekomernoj vlazi, prašini, prljavštini ili korozivnim isparenjama. Nemojte montirati opremu ili pribor na mašinu koja nije predviđena ili odobrena od strane proizvođača. Nikada ne pokušavajte da izmenite proizvod. Neovlašćene izmene ili pribor mogu rezultirati ozbiljnim ličnim povredama ili smrću operatera ili drugih osoba. Posavetujte se sa ovlašćenim dilerom za rastav i uslugu, koja nije obuhvaćena ovim uputstvom. Ako se nešto pokvari ili dođe do nezgode tokom rada, odmah isključite mašinu i udaljite je kako biste sprečili dalje oštećenje. U slučaju da je strano telo ušlo u mašinu, odmah ga zaustavite, pregledajte da li ima oštećenja i izvršite popravke pre nego što ga ponovo započnete.

## ZAŠITNA OPREMA

Uverite se da prilikom rada jedinice koristite odgovarajuću i sertifikovanu zaštitnu opremu. Uvek nosite odeću koja ne sputava pokrete, zaštitne rukavice, zaštitne naočare, respirator sa polu maskiranim ušima, zaštitu ušiju i anti-shear sigurnosne čizme sa neklizajućim đonom. Nikada ne nosite šalove, ogrlice ili bilo kakav viseći ili lepršavi pribor i odeću koja bi mogla da se uhvati u mašini. Veći kosu ako je duganka.

## OPASNOSTI OD POŽARA I OPEKOTINA

Kvarovi na električnoj opremi mogu da izazovu varnice koje bi mogle da zapale zapaljiv materijal. Potrudite se da vaš radni prostor bude čist i uredan i nemojte koristiti mašinu u blizini zapaljivog materijala. Ako dođe do požara, koristite odgovarajući protivpožarni aparat. Ne dirajte rotirajuće delove i alatku za bušenje nakon rada. Neke površine mogu postati veoma vruće tokom upotrebe i treba im dozvoliti vreme da se ohlade pre nego što ih dodirnete.

## KATEGORIJA BEZBEDNOSNA UPOZORENJA

### BEZBEDAN RAD

Sve operativne poluge mašine moraju lako da se kreću sa jedne pozicije na drugu i ne sme im biti

potrebno forsiranje. Električni kablovi i posebno glavni kabl za utikač moraju biti u savršenom stanju kako bi se izbegla generacija bilo kakvih varnica ili rizik od električnog šoka. Ručne i zaštitne uređaje moraju biti čiste i suve kao i bezbedno pričvršćivanje za mašinu. Upravljaj mašinom obema rukama. Uverite se da uvek koristite ispravnu alatku za svaki posao kako biste izbegli otkazivanje ili povredu računara i izbegli preopterećenje mašine. Ocene napona i frekvencije snabdevanja električnom energijom moraju biti u okviru specifikacija mašine. Uverite se da je prekidač mašine isključen prilikom priključivanja, kako biste izbegli rizik zbog nenamernog pokretanja. Uklonite sve tastere i ključeve sa računara pre operacije.

Uverite se da ste zaustavili mašinu i isključili je iz glavnih:

- ▶ Prilikom montaže ili uklanjanja pribora i alata.
- ▶ Kad god ostavite mašinu bez nadzora.
- ▶ Tokom čišćenja ili održavanja.
- ▶ Tokom repozicioniranja mašine, transporta ili skladištenja.

U slučaju kvara ili gužve mašine, odmah isključite mašinu i uklonite je iz izvora napajanja. Mašina ne bi trebalo ponovo da se pokrene ako se džem ne raščisti ili ako se kvar izmeni, u ovlašćenom servisnom centru kada je to potrebno. Mašina bi potencijalno mogla da se zaglavi kada:

- ▶ Mašina je preopterećena.
- ▶ Radno delo koje treba mašinski zakrčeno.

## OPASNOSTI PO STRUJU

Uverite se da su električni kablovi mašine i glavni utikač, sa kojima je povezan, u dobrom stanju i da se ne nose. Nikada ne koristite oštećenu mašinu ili mašinu sa oštećenim ili istrošenim električnim kablovima i utikačima. Ne izlažite mašinu i električne kablove vlažnim uslovima i nikada ne dirajte kada su vlažni. Koristite utičnicu sa zemljom.

Nemojte dolaziti u kontakt sa prizemljenim površinama ili električnim kablovima, kako biste izbegli rizik od električnog šoka. Nemojte koristiti kabl da biste izvukli utikač iz utičnice.

Da biste sprečili oštećenje kabla za napajanje, uvek udaljite kabl za napajanje od zadnjeg dela mašine i zaštitite ga od toplote, ulja i oštih predmeta. Kada mašina treba da se koristi na otvorenom, koristite samo produžne kablove namenjene za korišćenje na otvorenom. Presek bilo kog produžnog kabla mora da izmeri najmanje 1,5mm<sup>2</sup> i glavna veza mora biti zaštićena odgovarajućim osiguračima.

## OPASNOSTI OD ROTIRAJUĆIH DELOVA

Rotirajući delovi mogu da izazovu ozbiljne povrede. Izbegavajte kontakt sa rotirajućim delovima dok su još u rotaciji i potrudite se da sve što bi moglo da bude zarobljeno u operacionoj mašini, kao što su labava kosa i odeća, držite podalje. Držite ruke dalje od prostora za mahinacije prilikom rada mašine.

Radni komadi i alati mogu da se rikošetom dovedu do povreda i oštećenja imovine. Uverite se da su mašina i alat uvek u dobrom stanju. Koristite stege ili porok da biste čvrsto držali radni deo na poziciji.

Nemojte raditi na stavkama koje su premale da bi se bezbedno stegle u mestu.

Proverite da li postoji ispravno poravnavanje pokretnih i rotirajućih delova ili drugih otkazivanja koja mogu biti izvor opasnosti. Oštećeni čuvar ili drugi deo treba da bude zamenjen ovlašćenim servisnim centrom pre rada mašine.

Ne dirajte rotirajuće delove pre nego što dođu u potpuno zaustavljanje.

## OPASNOSTI OD BUKE I VIBRACIJA

Nivoi buke prikazani u ovim uputstvima su maksimalni nivoi za korišćenje mašine. Nedovoljno održavanje ima značajan uticaj na vibracije i emisiju buke. Shodno tome, neophodno je preduzeti preventivne korake kako bi se eliminisala moguća oštećenja usled visokog nivoa buke i stresa od vibracija. Dobro održavajte mašinu, nosite uređaje za zaštitu ušiju, rukavice protiv vibracija i napravite pauze dok radite.

## OPASNOSTI U RADNOJ OBLASTI

Detaljno pregledajte ceo radni prostor i koristite četkicu za grublje ili dvorište kako biste ručno olabavili ostatke i uklonili sve što bi moglo da vam bude opasan izvor ili da izazove oštećenje mašine. Održavajte radni prostor čistim i urednim. Nemojte upravljati mašinom u vlažnim uslovima okruženja ili kada je sama mašina mokra. Drži mašinu dalje od zapaljivog materijala. Proverite da li postoje prolaznici, životinje ili predmeti koji mogu biti oštećeni u okviru opsega radnji mašine.

Radi samo u dobro provetrenim delovima. Čips i testera prašina mogu biti opasnost po zdravlje kada se udahnu ili kada su u kontaktu sa očima. Uvek nosite odgovarajuće respiratorne i zaštitne naočare sa polu maskiranim maskama, kada radite sa takvim materijalima i koristite uređaj za vađenje prašine.

Radite samo po dnevnom svetlu, ili uz odgovarajuću veštačku svetlost, u dobrim uslovima vidljivosti. Pokušajte da ne izazivate nikakve smetnje u buci, samo koristeći ovu mašinu u razumno doba dana.

Zauzmu čvrstu i dobro izbalansiranu poziciju. Gde je to moguće, izbegavajte rad na vlažnom, klizavom terenu ili u svakom slučaju na neravnomernom ili strmom terenu koji operateru ne garantuje stabilnost.

Skladištenje alata koji nisu u upotrebi treba da se obavlja na suvom i bezbednom mestu daleko od operativne mašine i van domašaja dece.

## PREOSTALE OPASNOSTI

Mašina je napravljena pomoću savremene tehnologije i u skladu sa priznatim bezbednosnim pravilima. Čak i kada su preduzete sve bezbednosne mere, neke preostale opasnosti, koje još uvek nisu evidentne, mogu biti prisutne. Operater treba da koristi zdrav razum i preduzme neophodne mere predostrožnosti kako bi izbegao rizik zbog preostalih opasnosti.

## SPECIFIKACIJE PROIZVODA

### NAMENJENA UPOTREBA

Ova mašina je dizajnirana i proizvedena za mahinacije radnih delova sečenjem npr. Nije dizajniran za tešku komercijalnu upotrebu.

Svaka druga upotreba koja se razlikuje od gore navedenih može biti opasna, naškoditi ljudima i/ili oštetiti stvari i samu mašinu.

### NEPRAVILNA UPOTREBA

Mašina ne sme da se koristi za mahinaciju opasnih materija, npr. akumulaciju upalnih ili eksplozivnih proizvoda i bilo koji drugi predmet koji bi mogao da bude opasan po samu mašinu kao i operatera, prolaznike, životinje ili imovinu.

Drugi primeri nepravilne upotrebe mogu da uključuju, ali nisu ograničeni, na rad računara:

- ▶ Bez originalnog pribora koji je obezbedio proizvođač.
- ▶ Sa originalnim priborom, ali na neki način ne u skladu sa uputstvima.
- ▶ Bez originalnih rezervnih delova.
- ▶ Sa neovlašćenim izmenama.

### BELEŠKE

Prema važećim zakonima o odgovornosti proizvođača, proizvođač uređaja ne preuzima odgovornost za štetu na proizvodu ili štetu nastalu usled proizvoda do koje dolazi zbog:

- ▶ Nepravilno rukovanje nije u skladu sa uputstvima za rad.
- ▶ Popravke od strane trećih lica, a ne od strane ovlašćenih servisnih tehničara.
- ▶ Instalacija ne-originalnih rezervnih delova.
- ▶ Nemušta upotreba.
- ▶ Kvar na električnom sistemu zbog napajanja mašine na način koji nije u skladu sa električnim i VDE propisima.

TEHNIČKA SPECIFIKACIJA		
Broj predmeta	46 614	
Model	SCMS-DB 305 PLUS	
Napon	V	220-240
Frekvencija	Hz	50
Električna snaga	W	2.000
Brzina bez opterećenja	rpm	4.500
Sečivo van prečnika	mm	305
Veličina sečiva	mm	30
Širina reza	mm	2,3
Maksimalni kapacitet sečenja Mitra 0° / Koso 0° (Š x V)	mm	340 x 102
Maksimalni kapacitet sečenja Mitra 0° / Koso (L) 45° (Š x V)	mm	340 x 48

## TEHNIČKA SPECIFIKACIJA

Broj predmeta	46 614	
Model	SCMS-DB 305 PLUS	
Maksimalni kapacitet sečenja Mitra 0° / Koso (D) 45° (Š x V)	mm	340 x 40
Maksimalni kapacitet sečenja Mitra (L/D) 45° / Koso 0° (Š x V)	mm	235 x 102
Maksimalni kapacitet sečenja Mitra (L/D) 45° / Koso (L) 45° (Š x V)	mm	235 x 48
Maksimalni kapacitet sečenja Mitra (L/D) 45° / Koso (D) 45° (Š x V)	mm	235 x 40
Nivo zbučnog pritiska (LpA)	dB(A)	92
Nivo snage zvuka (LwA)	dB(A)	105
Nesigurnost (K)	dB	3
Neto težina	kg	19,5

## IDENTIFIKACIJA (SL. 1, 2)

1. Prekidač okidača
2. Donji čuvav sečiva
3. Osnovna ploča
4. Bočna drška
5. Produžetak krila
6. Zaustavite tanjir
7. Ograda vodiča
8. Radna stega
9. Zaključavanje slajda
10. Motor
11. Kapa od ugljenične četkice
12. Regulator operacije
13. Navlaka za kaiš
14. Brava osovine
15. Nivo kosine
16. Miter vagga
17. Okrenite ručicu brave
18. Okretnica
19. Laser
20. Štoper ruka
21. Oštrica

## OPERACIJA

### PRIPREMA JEDINICE

Raspakivanje i dovršavanje montaže treba uraditi na ravnoj i stabilnoj površini, sa dovoljno prostora za premeštanje mašine i njene ambalaže, uvek koristeći odgovarajuću opremu.

### UPOZORENJE

Uvek isključite računar iz izvora napajanja pre bilo kakvog podešavanja.

Da biste sastavili mašinu:

### Oslobodite rezanje glave

1. Lagano pritisnite ručicu prekidača.
2. Izvucite zaustavnu rezu (Sl. 3.1).
3. Dozvolite sečenoj glavi da se uzdigne do uspona.

### UPOZORENJE

Da biste izbegli povrede i oštećenja testere, transportu ili skladištite miter testeru sa reznom glavom zaključanom u donjem položaju koristeći zaustavnu rezu. Nikada ne koristite zaustavnu rezu da držite glavu za sečenje u oborenom položaju za operacije rezanja.

### Bočni regulator

Ubacite regulator mitra (Sl. 4.1) u otvor u tabeli mitra (Sl. 4.2).

### Vreća za prašinu

1. Iscedite krila metalne kragne (Sl. 5.2) na kesu za prašinu (Sl. 5.1).
2. Postavite otvor za vrat vreće za prašinu oko auspuha (Sl. 5,3) i oslobodite krila metalne kragne.

### UPOZORENJE

Ne koristite kesu za prašinu prilikom mahinacije metala. Vreli čipovi ili varnice mogu da zapale testeru prašine ili samu kesu. Često čistite i uklanjajte testeru ispod testere.

### Proširenja krila

1. Olabavite kvaku (Sl. 6.1) zatim gurnite produžni sto na željeni položaj i zategnite kvaku.
2. Zaustavna ploča je dizajnirana za upotrebu tokom sečenja koja se ponavlja. Koristite samo jednu po jednu zaustavnu ploču. Rotirajte zaustavnu ploču (Sl. 6.3) na vertikalni položaj, i ponovo povucite šraf za zaključavanje (Sl. 6.2).

### Radna stega

1. Postavite radnu montažu stega (Sl. 7.1) u jednu od rupa za montažu (Sl. 7.2).
2. Visina sklopa stega može se podesiti tako što se kvaka za olabavljenje (Sl. 7.3) nalazi u zadnjem sedištu stega.

### Osnovna ploča do klupe

Testeru postavite na željenu lokaciju direktno na radnu lokaciju gde ima prostora za rukovanje i pravilnu podršku radnog dela. Osnova testere ima metri rupe za montiranje. Zavrni bazu miter testere (Sl. 8.1) na radnu mrežu (Sl. 8,5) koristeći šraf (Sl. 8.2), gumeni perać (Sl. 8,3), ravne perać (Sl. 8.4, 8.6), bravu (Sl. 8.7), orah (Sl. 8.8) i bravu (Sl. 8.9) kao

### BELEŠKE

Hardver za montažu nije uključen u ovu alatku. Šrafovi, orasi, peraći i šrafovi moraju da se kupe odvojeno.

### Dugme "Zaključaj"

Da bi se sprečilo slučajno povlačenje okidača prekidača (Sl. 9.1) obezbeđeno je dugme za zaključavanje donjeg čuvara sečiva (Sl. 9.2). Da biste pokrenuli alatku, povucite dugme za zaključavanje na čuvar sečiva i pritisnite okidač prekidača. Otpustite okidač prekidača i zaključajte dugme da biste se zaustavili.

### UPOZORENJE

Pre priključivanja alatke, uvek proverite da li okidač prekidača pravilno deluje i vraća se na poziciju "OFF" kada se oslobodi. Nemojte jako pritiskati okidač prekidača bez povlačenja dugmeta za zaključavanje, jer to može dovesti do prekida prekidača. Upravljanje alatkom sa prekidačem koji ne deluje kako treba može dovesti do gubitka kontrole i ozbiljnih ličnih povreda.

### Jednosmezni motor

Instalirani elektromotor je potpuno ozvučen spreman za rad. Veza kupca sa sistemom napajanja i svim produžnim kablovima koji se mogu koristiti moraju biti u skladu sa lokalnim propisima. Redovno proveravajte kablove za električnu vezu da biste oštetili. Uverite se da je kabl isključen iz glavne e-poruke prilikom provere. Glavni napon mora da se poklopi sa naponom navedenim na motornoj ploči za ocenjivanje. Veza sa glavnim računarima mora biti zaštićena odgovarajućim sporim glumačkim osiguračima i mora se koristiti samo utičnica sa pravilno instaliranim kopnеним kontaktom.

### UPRAVLJANJE JEDINICOM

#### UPOZORENJE

Zbog vaše bezbednosti, držite mašinu isključenu na poziciji dok izvršavate neku od sledećih procedura podešavanja. Mašina treba da bude uključena, samo ako određeni korak procedure navodi tako i samo za taj određeni korak.

### Štopersko podešavanje ruke

Donji položaj sečiva se može lako podesiti pomoću štopera ruke (Sl. 10.1). Da biste je podesili, pomerite ruku štopera u smeru strelice kao što je prikazano na slici. Podesite šraf (Sl. 10.2) tako da se sečivo zaustavi na željenom položaju prilikom potpunog sniženja drške.

### Podešavanje mitra ugla

#### UPOZORENJE

Kada podešavate ugao mitra, obavezno u potpunosti podignite dršku. Nakon promene ugla mitra, uvek obezbedite okretni sto tako što ćete čvrsto stegnuti stisak.

1. Olabavite stisak (Sl. 11.4) okretanjem u smeru suprotnom od kretanja kazaljki na satu.
2. Okrenite sto za skretanje dok pritiskate ručicu brave (Sl. 11.3).
3. Kada pomerite stisak na poziciju na kojoj pokazuje (Sl. 11.2) pokazuje na željeni ugao na miter skali (Sl. 11.1), bezbedno zategnite prijanjanje u smeru kazaljke na satu.

### Podešavanje ugla kosine

#### UPOZORENJE

Kada podešavate ugao kosine, obavezno u potpunosti podignite dršku.

1. Olabavite ručicu (Sl. 12.1) na zadnjem delu alata u smeru suprotnom od kretanja kazaljki na satu.
2. Otključajte ruku tako što ćete gurnuti dršku u pravcu u kom nameravate da nagnete sečivo testere.

3. Nagni sečivo testere dok pokazivač (Sl. 13.3) ne pokazuje na željeni ugao na skali kosine (Sl. 13.4).
4. Zategnite ručicu (Sl. 13.1) u smeru kazaljke na satu čvrsto da biste obezbedili ruku (Sl. 13.2).

### Zaključavanje slajda

Da biste zaključali stub za klizanje, okrenite šraf za zaključavanje (Sl. 14.1) u smeru kazaljke na satu.

### Podešavanje ograde vodiča

#### UPOZORENJE

Pre nego što upravljate alatom, uverite se da je klizna ograda čvrsto obezbeđena i da nijedan deo alata ne kontaktira kliznu ogradu prilikom potpunog snižavanja i podizanja drške u bilo kom položaju i dok pomera kočiju kroz svoj pun spektar putovanja.

1. Prilikom izvođenja rezova kosine, gurnite kliznu ogradu (Sl. 15.1) u stranu i obezbedite je šrafovm za stezanje (Sl. 15.2). Ova alatka je opremljena kliznom ogradom koja bi obično trebalo da bude pozicionirana kao što je prikazano na slici:
  - Za posekotine leve kosine obavezno postavite levu kliznu ogradu (Sl. 16.1) na ispravan položaj ako je glava alata kontaktira.
  - Za desne posekotine kosine obavezno postavite desnu kliznu ogradu (Sl. 16.2) na ispravan položaj ako je glava alata kontaktira.
2. Kada se operacije presecanja kosine završe, vratite kliznu ogradu na prvobitnu poziciju i obezbedite je tako što ćete čvrsto stegnuti šraf za stezanje.

### Laserska operacija

Pre upotrebe lasera prilikom sečenja, dve baterije u priboru treba staviti u kutiju za baterije (Sl. 17.2) na desnoj strani ruke. Uključite laserski prekidač (Sl. 17.1) i proverite da li je laserska linija (Sl. 17.3) u centru baze.

### Pritisni isečeno

Da biste isekli male radne komade:

1. U potpunosti gurnite kočiju prema ogradi vodiča i zategnite šraf za zaključavanje u smeru kazaljke na satu kako biste obezbedili kočiju.

#### UPOZORENJE

Nedovoljno zatezanje kvake može izazvati moguću kiks koji može rezultirati ozbiljnom ličnom povredom.

2. Pravilno obezbedite radni deo odgovarajućom vrstom više.
3. Uključite alat bez da sečivo ne napravi nikakav kontakt i sačekajte da sečivo dostigne punu brzinu pre nego što se spusti.
4. Nežno spustite dršku na potpuno spušten položaj da biste isekli radni deo.
5. Kada se seča završi, isključite alat i sačekajte da sečivo potpuno stane pre nego što vratite sečivo u potpuno povišen položaj.

### Isečen slajd

Da biste isekli široke radne komade:

1. Olabavite zaključavanje šrafa u smeru suprotnom od kazaljke na satu kako bi kočija mogla slobodno da klizi.

2. Obezbedite radni deo sa odgovarajućom vrstom više.
3. Povuci kočiju u potpunosti prema tebi.
4. Uključite alat bez da sečivo ne napravi nikakav kontakt i sačekajte da sečivo dostigne punu brzinu pre nego što se spusti.
5. Pritisnite dršku nadole i gurni kočiju prema ogradi vodiča i kroz radni deo.

#### UPOZORENJE

Ne započinjte rez sa kočijom koja nije u potpunosti povučena prema vama, jer može doći do neočekivanog kiksa što rezultira ozbiljnom ličnom povredom. Nikada ne pokušavajte da izvedete posekotinu slajda povlačenjem kočije ka vama, jer to može izazvati neočekivani kiks što rezultira ozbiljnom ličnom povredom.

6. Kada se seča završi, isključite alat i sačekajte da sečivo potpuno stane pre nego što vratite sečivo u potpuno povišen položaj.

#### UPOZORENJE

Nikada ne izvodite isečeni slajd sa regulatorom zaključanim u spuštenom položaju i nikada ne olabavite šraf za zaključavanje koji obezbeđuje kočiju dok se sečivo rotira. Labava kočija prilikom sečenja može izazvati neočekivani kiks koji rezultira mogućom ozbiljnom ličnom povredom.

### Miter rez

Pogledajte odeljak "Podešavanje mitra ugla" da biste dobili uputstva o tome kako da podesite rez.

### Isečena kosina

Pogledajte odeljak "Podešavanje ugla kosine" da biste dobili uputstva o tome kako da podesite rez.

#### UPOZORENJE

Nakon podešavanja sečiva za posekotinu kosine, pre operacije alat osigurajte da će kočija i sečivo imati besplatno putovanje u celom asortimanu predviđenog reza. Prekid putovanja kočijama ili sečivom tokom operacije sečenja može rezultirati kiksom i ozbiljnim ličnim povredama.

1. Obezbedite radno delo sa više.
2. Pobrinite se da kočija bude povučena sve do operatera.
3. Uključite alat bez da sečivo ne napravi nikakav kontakt i sačekajte da sečivo dostigne punu brzinu.
4. Pritisnite dršku nadole i gurni kočiju prema ogradi vodiča i kroz radni deo.

#### BELEŠKE

Kada pritisnete dršku, primenite pritisak paralelno sa sečivom. Ako se sila primenjuje perpendikularno na bazu skretanja ili ako se smer pritiska promeni tokom reza, to će negativno uticati na preciznost reza.

5. Kada se seča završi, isključite alat i sačekajte da sečivo potpuno stane pre nego što vratite sečivo u potpuno povišen položaj.

#### UPOZORENJE

Dok pravite kosinu, držite ruke dalje od putanje sečiva. Ugao sečiva može zbnuti operatera u pogledu stvarne putanje sečiva dok se seče i kontakt sa sečivom će rezultirati ozbiljnim ličnim povredama.

#### UPOZORENJE

Sečivo ne treba podići dok se potpuno ne zaustavi. Tokom odsečene kosine komad može doći da se od-

mori uz sečivo. Ako je sečivo podignuto dok rotira odsečeni deo može biti izbačeno sečivom što može rezultirati ozbiljnim ličnim povredama.

### **UPOZORENJE**

Uvek vodite računa da ograda vodiča ne ometa nijedan deo kočije prilikom izvođenja rezova kosine.

### **Kombinacija isečena**

Kombinovano sečenje je proces u kojem se istovremeno pravi ugao kosine u kojem se seče mitra ugao na radnom delu.

## **ODRŽAVANJE I ČIŠĆENJE**

SVAKIH šest meseci do godinu dana (u zavisnosti od učestalosti i intenziteta korišćenja), odnesite računaru u najbliži objekat servisne stanice za sledeće servisne operacije:

- ▶ Podmazivanje.
- ▶ Inspekcija četkicom i zamena.
- ▶ Mehanička inspekcija i čišćenje (zupčanicu, ležajevi itd.).
- ▶ Električna inspekcija (prekidač, kabl itd.).
- ▶ Testiranje kako bi se osigurao pravilan mehanički i električni rad.

### **UPOZORENJE**

Radi vaše bezbednosti, isključite isključivanje i uklanjanje utikača iz utičnice izvora napajanja pre bilo kakvog rada održavanja na računaru. Održavajte aparat čistim. Da bi se izbeglo oštećenje motora, izduvajte ili usisavajte često ovaj motor kako bi sprečio da prašina ometa normalnu motornu ventilaciju.

### **MOTORNE ČETKICE OD UGLJENIKA**

Redovno uklanjajte i proveravajte ugljenične četkice motora. Održavajte ih čistim i zamenite ako je prisutno preterano nošenje.

Da biste zamenili četkice za ugljenik:

1. Koristite šrafciğer da biste uklonili zatvarač za držač četkice.
2. Izvadite istrošene četkice za ugljenik.
3. Ubacite novu četkicu za ugljenik.

### **BELEŠKE**

Četkice od ugljenika treba zameniti u identičnim parovima, bez obzira na individualno nošenje.

4. Obezbedite zatvarač za držač četkice. Nakon zamene četkica, priključite alat i razbijte četkice tako što ćete pokrenuti alat bez opterećenja oko 10 minuta. Zatim proverite da li u alatu ima pravilnog rada i električnu kočnicu za zaustavljanje rotacije sečiva prilikom otpuštanja okidača prekidača, prema fabričkim standardima.

### **SEČENJE SEČIVA**

#### **UPOZORENJE**

Uvek koristite zaštitne rukavice prilikom rukovanja sečivom za sečenje i uverite se da ste mašinu isključili iz utičnice. Koristite ključ utičnice da biste instalirali ili uklonili sečivo. Neuspeh u korišćenju ključa može rezultirati stezanjem ili nedovoljnim zatezanjem heksabilnog šrafa i ozbiljnom ličnom povredom.

### **Uklanjanje sečiva**

1. Isključite testeru iz utičnice.

2. Dozvolite sečenoj glavi da se uzdigne do uspravnog položaja. Olabavite šraf sa poklopac ploče (Sl. 9.2) šrafciğerom.
3. Podignite donji čuvar sečiva (Sl. 18.1) na gornju poziciju.
4. Rotirajte poklopac ploče (Sl. 18.3) prema zadnjem delu alata da biste izložili šraf sečiva (Sl. 18.4).
5. Stavi ključ na sečivo.
6. Pronađite dugme za zaključavanje na regulatoru operacije.
7. Pritisnite dugme za zaključavanje koje ga čvrsto drži dok okrećete ključ sečiva u smeru kazaljke na satu. Brava će se angažovati nakon što okrene ključ. Nastavite da držite dugme za zaključavanje da biste ga držali angažovanim dok okrećete ključ u smeru kazaljke na satu da biste olabavili sečivo.
8. Uklonite šraf (Sl. 19.1), rača (Sl. 19.2) i sečiva (Sl. 19.3). Ne uklanjajte unutrašnju ogrlicu sečiva. (Sl. 19.4).

### **Instalacija sečiva**

1. Isključite testeru iz utičnice.
2. Instalirajte sečivo od 12 in. (305mm) sa unutrašnjom rupom od 1 in. (25,4mm) i uverite se da se rotaciona strelica na sečivu podudara sa strelicom za rotaciju u smeru kazaljke na satu na gornjem čuvaru i zubima sečiva koji se spuštaju nadole.
3. Stavite veću (Sl. 19.2) na sečivo i na okno. Navucite vijak (Sl.19.1) na mjesto u suprotnom smeru kazaljke na satu.
4. Stavi ključ na sečivo.
5. Čvrsto pritisnite dugme za zaključavanje koje ga čvrsto drži dok okreće oštricu u smeru suprotnom od kretanja kazaljki na satu. Kada se brava uključi, nastavite da je pritisnete dok bezbedno stežete šraf sečiva.
6. Rotirajte poklopac ploče (Sl. 18.3) nazad na prvobitni položaj dok se slot u poklopacne ploče ne uključi sa šrafom navlake (Sl. 18.2). Dok držite donji čuvar sečiva, zategnite šraf šrafciğerom.

### **BELEŠKE**

Čuvar donjeg sečiva mora biti podignut u uspravan položaj da bi se pristupio šrafu sa pokrićem.

7. Spustite čuvar sečiva (Sl. 18.1) i proverite pravilan rad čuvara.
8. Otpustite dugme za zaključavanje tako da sečivo slobodno okrene.

### **UPOZORENJE**

Da bi izbegli povredu nikada ne koristite testeru bez navlake na mestu. Sprečava ispad sečiva ako slučajno popusti i pomogne u sprečavanju da se sečivo koje se okreće skinu sa testere. Uverite se da su ogrlice čiste i pravilno raspoređene. Spustite sečivo u donji sto i proverite da li postoji bilo kakav kontakt sa metalnom bazom ili miter stolom.

### **KABL ZA NAPAJANJE**

Da biste izbegli opasnost od šoka ili požara, ako je kabl za napajanje crv ili isečen, ili oštećen na bilo koji način, neka ga odmah zamenite. Kablovi za električnu vezu često trpe oštećenja izolacije. Moćući uzroci su:



1. Tačke udarca kada se kablovi za povezivanje protiče kroz prozor ili praznine na vratima.
2. Kinks je rezultat neispravnog priloga ili polaganja kabla za povezivanje.
3. Rezovi nastali prelamanjem kabla za povezivanje.
4. Oštećenje izolacije je posledica nasilnog izvlačenja iz zidne utičnice.
5. Pukotine kroz starenje izolacije.
6. Takvi neispravni kablovi za električno povezivanje ne smeju da se koriste jer ih oštećenje izolacije čini izuzetno opasnim.

#### **PODMAZIVANJE**

Periodično podmazite pokretne delove.

#### **ČIŠĆENJE**

Koristite malu meku četku za čišćenje spoljašnjosti jedinice. Ne koristite jake deterdžente. Čistači domaćinstava koji sadrže aromatična ulja kao što su bor i limun i rastvarači kao što je kerozin mogu da oštete plastična kućište ili dršku. Obrišite svaku vlagu mekom krpom. Uklonite prašinu, prljavštinu i mahinacije odgovarajućim usisivačem ako je potrebno.

#### **SKLADIŠTENJE UPOZORENJE**

Isključite prekidač i uklonite utikač iz utičnice izvora napajanja da biste uskladištili računar. Jedinicu čuvajte samo u suvim i dobro provetrenim delovima.

U slučaju da će jedinica biti uskladištena duže vreme, koristite sledeću proceduru skladištenja:

1. Temeljno očistite jedinicu i proverite da li ima labavih ili oštećenih delova. Popravite ili zamenite oštećene delove i zategnite labave šrafove, orahe ili šrafove.
2. Podmazite i nanesite mast, tamo gde je potrebno.
3. Uskladištite jedinicu u originalnom pakovanju.

#### **ZAŠTITA ŽIVOTNE SREDINE**

Reciklirajte sirovine umesto da odlazete kao otpad. Mašina, pribor i ambalaža treba da se sortiraju za reciklažu pogodnu za životnu sredinu. Plastične komponente su označene za kategorizovanu reciklažu.

Ovaj proizvod ne sme da se odlaze zajedno sa domaćim otpadom u skladu sa relativnim zakonodavstvom koje se odnosi na otpad električne i elektronske opreme. Ovaj proizvod mora biti odložen na određenom mestu prikupljanja. Do toga može doći, na primer, predajom na ovlašćenom mestu za prikupljanje za reciklažu otpadne električne i elektronske opreme. Nepravilno rukovanje opremom za otpad može imati negativne posledice po životnu sredinu i ljudsko zdravlje zbog potencijalno opasnih materija koje se često nalaze u električnoj i elektronskoj opremi. Pravilnom uklanjanjem ovog proizvoda doprinosite i efikasnom korišćenju prirodnih resursa.

Informacije o punktovima za prikupljanje otpadne opreme možete dobiti od vaše opštinske uprave, organa za odlaganje javnog otpada, ovlašćenog

tela za odlaganje otpadne električne i elektronske opreme ili vašeg preduzeća za odlaganje otpada.

#### **GARANCIJE**

Ovaj proizvod je garantovan u skladu sa zakonskim / državnim propisima, koji stupaju na snagu od dana kupovine od strane prvog korisnika. Šteta koja se može pripisati normalnom habanomu i cedanju, preopterećenju ili nepravilnom rukovanju biće isključena iz garancije. U slučaju zahteva, pošaljite mašinu, potpuno okupljenu, vašem dileru ili zvaničnom servisnom centru.

## HRVATSKI

### OPĆA UPOZORENJA O SIGURNOSTI

Prije upotrebe ovog proizvoda pročitajte i razumite ovaj priručnik. Sprječiti nesreće možete pomoći upoznavanjem kontrola vašeg proizvoda i poštivanjem sigurnih radnih postupaka i sigurnosnih znakova. Uvijek koristite zdrav razum kako biste izbjegli sve situacije koje se smatraju izvan vaših mogućnosti. Ne koristiti dok ste umorni ili pod utjecajem droga, alkohola ili bilo kojih drugih lijekova. Držite prolaznike i životinje koje bi mogle biti ozlijeđene, kao i predmete koji bi mogli biti oštećeni, dok radite. Nikada ne dopuštajte djeci ili ljudima koji nisu upoznati s ovim uputama da koriste proizvod. Lokalni zakoni mogu ograničiti minimalnu dob operatera. Imajte na umu da je operater ili korisnik odgovoran za nesreće ili neočekivane događaje koji se događaju drugim ljudima, životinjama ili njihovoj imovini. Ne izlažite proizvod prekomjerno vlazi, prašini, prljavštini ili korozivnim parama. Nemojte montirati opremu ili pribor na stroj koji nisu predviđeni ili odobreni od strane proizvođača. Nikada ne pokušavajte modificirati proizvod. Neovlaštene preinake ili dodaci mogu dovesti do ozbiljnih tjelesnih ozljeda ili smrti rukovatelja ili drugih. Za demontažu i servis, koji nisu obuhvaćeni ovim priručnikom, obratite se ovlaštenom dobavljaču. Ako se tijekom rada nešto pokvari ili se dogodi nesreća, odmah isključite stroj i odmaknite ga kako biste spriječili daljnje oštećenje. U slučaju da je strano tijelo ušlo u stroj, odmah ga zaustavite, pregledajte ga radi oštećenja i popravite prije ponovnog pokretanja.

### ZAŠITNA OPREMA

Obavezno koristite prikladnu i certificiranu zaštitnu opremu prilikom upravljanja jedinicom. Uvijek nosite odjeću koja ne ometa pokrete, zaštitne rukavice, zaštitne naočale, respirator s polumaskom, zaštitu za uši i zaštitne čizme protiv smicanja s protukliznim potplatima. Nikada nemojte nositi šalove, ogrlice ili bilo koji pribor za vješanje ili lepršanje koji bi se mogao uhvatiti u stroju. Zavežite kosu ako je duga.

### OPASNOSTI OD POŽARA I OŽIGA

Kvarovi na električnoj opremi mogu uzrokovati iskre koje bi mogle zapaliti zapaljivi materijal. Pazite da radno područje održavate čistim i urednim i ne upotrebljavajte stroj u blizini zapaljivih materijala. Ako se dogodi požar, upotrijebite odgovarajući uređaj za gašenje požara. Nakon rada ne dodirujte rotirajuće dijelove i alat za bušenje. Neke se površine mogu tijekom upotrebe jako zagrijati i prije dodirivanja treba im ostaviti vrijeme da se ohlade.

### SIGURNOSNA UPOZORENJA KATEGORIJE

#### SIGURAN RAD

Sve operative poluge stroja moraju se lako premještati iz jednog položaja u drugi i ne smiju trebati prisiljavanje. Električni kabeli, a posebno glavni kabel moraju biti u savršenom stanju kako bi se izbjeglo stvaranje iskre ili rizik od električnog udara. Držači i zaštitni uređaji moraju biti čisti i suhi, kao i sigurno

pričvršćeni na stroj. Upravlajte strojem objema rukama. Obavezno koristite ispravan alat za svaki posao kako biste izbjegli kvar ili ozljede stroja i izbjegli preopterećenje stroja. Oznake napona i frekvencije napajanja električnom energijom moraju biti unutar specifikacija stroja. Provjerite je li prekidač stroja isključen kad ga priključite kako biste izbjegli rizik zbog nenamjernog pokretanja. Izvadite sve ključeve i ključeve iz stroja prije rada.

Obavezno zaustavite stroj i isključite ga iz električne mreže:

- ▶ Prilikom montiranja ili uklanjanja pribora i alata.
- ▶ Kad god stroj ostavite bez nadzora.
- ▶ Tijekom čišćenja ili održavanja.
- ▶ Tijekom strojnog premještanja, transporta ili skladištenja.

U slučaju kvara ili zaglavlivanja stroja, odmah isključite stroj i uklonite ga iz izvora napajanja. Stroj se ne smije ponovno pokretati ako se zaglavlivanje ne ukloni ili se kvar popravi, po potrebi u ovlaštenom servisnom centru. Stroj bi se mogao zaglaviti kada:

- ▶ Stroj je preopterećen.
- ▶ Obradak koji se obrađuje zaglavljen je.

### OPASNOSTI OD STRUJE

Provjerite jesu li električni kabeli stroja i mrežni utikač na koji je spojen u dobrom stanju i nisu istrošeni. Nikada nemojte koristiti oštećeni stroj ili stroj s oštećenim ili istrošenim električnim kabelima i utikačima. Ne izlažite stroj i električne kabele mokrim uvjetima i nikada ih ne dodirujte kad su mokri. Koristite utičnicu s kontaktom uzemljenja.

Ne dolazite u kontakt s uzemljenim površinama ili električnim kabelima kako biste izbjegli rizik od električnog udara. Ne koristite kabel za izvlačenje utikača iz utičnice.

Da biste spriječili oštećenje kabela za napajanje, uvijek odvedite kabel za napajanje od stražnjeg dijela stroja i zaštitite ga od topline, ulja i oštrih predmeta.

Kad se stroj koristi na otvorenom, koristite samo produžne kabele namijenjene vanjskoj uporabi. Poprečni presjek bilo kojeg produžnog kabela mora biti najmanje 1,5mm<sup>2</sup>, a mrežni priključak mora biti zaštićen odgovarajućim osiguračem.

### OPASNOSTI OD ROTIRANJA DIJELOVA

Rotirajući dijelovi mogu prouzročiti ozbiljne ozljede. Izbjegavajte kontakt rotirajućih dijelova dok su još u rotaciji i pobrinite se da sve što može ostati zarobljeno u upravljačkom stroju, poput raspuštene kose i odjeće, bude podalje. Držite ruke dalje od područja obrade tijekom upravljanja strojem.

Radni komadi i alati mogu se rikošetirati i dovesti do ozljeda i materijalne štete. Pazite da su strojevi i alati uvijek u dobrom stanju. Upotrijebite stezaljke ili škripac da biste radni predmet čvrsto držali u položaju. Ne radite na predmetima koji su premali da biste ih sigurno stegnuli na svoje mjesto.

Provjerite ispravnost poravnanja pokretnih i rotirajućih dijelova ili druge kvarove koji mogu predstavljati izvor opasnosti. Oštećeni štitnik ili drugi dio treba zamijeniti ovlaštenu servis prije rada sa strojem.

Ne dodirujte rotirajuće dijelove prije nego što se potpuno zaustave.

### OPASNOSTI OD BUKE I VIBRACIJA

Razine buke prikazane u ovim uputama maksimalne su razine za korištenje stroja. Nedovoljno održavanje ima značajan utjecaj na vibracije i emisiju buke. Slijedom toga, potrebno je poduzeti preventivne korake kako bi se eliminirale moguće štete zbog visoke razine buke i stresa od vibracija. Dobro održavajte stroj, nosite uređaje za zaštitu ušiju, antibiuracijske rukavice i pravite pauze tijekom rada.

### OPASNOSTI NA RADNOM PODRUČJU

Temeljito pregledajte cijelo radno područje i pomoću grablja ili dvorišne četke ručno otpustite ostatke i uklonite sve što bi moglo predstavljati opasan izvor ili oštetiti stroj. Neka radno područje bude čisto i uredno. Nemojte rukovati strojem u mokrim uvjetima ili kad je sam stroj mokar. Stroj držite podalje od zapaljivih materijala. Provjerite nema li posmatrača, životinja ili predmeta koji bi mogli biti oštećeni u krugu djelovanja stroja.

Radite samo u dobro prozračenim prostorima. Opiljci i prah od pila mogu predstavljati opasnost po zdravlje prilikom udisanja ili dodira s očima. Uvijek nosite odgovarajući respirator s polumaskom i zaštitne naočale kada radite s takvim materijalima i koristite uređaj za usisavanje prašine.

Radite samo na dnevnom svjetlu ili s prikladnom umjetnom svjetlošću, u uvjetima dobre vidljivosti. Pokušajte ne uzrokovati nikakve smetnje bukom, koristeći ovaj stroj samo u razumno doba dana. Zauzmite čvrst i uravnotežen položaj. Gdje je moguće, izbjegavajte raditi na mokrom, skliskom tlu ili u svakom slučaju na neravnom ili strmom terenu koji ne garantira stabilnost rukovatelja. Skladištenje alata koji se ne koriste treba obavljati na suhom i sigurnom mjestu, daleko od pogonskog stroja i izvan dohvata djece.

### PREOSTALE OPASNOSTI

Stroj je izrađen primjenom moderne tehnologije i u skladu s priznatim sigurnosnim pravilima. Čak i kad su sve sigurnosne mjere na mjestu, mogu postojati neke preostale opasnosti, koje još nisu očite. Operater treba koristiti zdrav razum i poduzeti potrebne mjere predostrožnosti kako bi izbjegao rizik zbog preostalih opasnosti.

### SPECIFIKACIJE PROIZVODA

#### NAMJENA KORIŠTENJA

Ovaj je stroj dizajniran i proizveden za obradu radnih komada rezanjem npr. komadi drvnog materijala. Nije dizajniran za tešku komercijalnu upotrebu.

Svaka druga upotreba koja se razlikuje od gore spomenute može biti opasna, naštetiti ljudima i / ili oštetiti stvari i sam stroj.

#### NEPRAVILNA UPOTREBA

Stroj se ne smije koristiti za obradu opasnih materijala, npr. nakupljanje zapaljivih ili eksplozivnih proizvoda i bilo kojeg drugog predmeta koji bi mogao biti opasan za sam stroj, kao i za operatera, prolaznike, životinje ili imovinu.

Ostali primjeri nepravilne uporabe mogu uključivati, ali nisu ograničeni, na rad stroja:

- ▶ Bez originalnog pribora koji je isporučio proizvođač.
- ▶ S originalnim dodacima, ali na način koji nije u skladu s uputama.
- ▶ Bez originalnih rezervnih dijelova.
- ▶ Uz neovlaštene preinake.

### BILJEŠKA

Prema važećim zakonima o odgovornosti za proizvod, proizvođač uređaja ne preuzima odgovornost za štetu na proizvodu ili štetu nastalu proizvodom koja nastaje uslijed:

- ▶ Nepravilno rukovanje nije u skladu s uputama za uporabu.
- ▶ Popravke trećih strana, a ne ovlaštenih serviser.
- ▶ Ugradnja neoriginalnih rezervnih dijelova.
- ▶ Nenamjenska upotreba.
- ▶ Kvar električnog sustava uslijed snage stroja na način koji nije u skladu s električnim i VDE propisima.

TEHNIČKI PODACI		
Broj artikla	46 614	
Model	SCMS-DB 305 PLUS	
Nazivni napon	V	220-240
Ocijenjena frekvencija	Hz	50
Vlast	W	2.000
Bez brzine opterećenja	rpm	4.500
Vanjski promjer oštrice	mm	305
Veličina otvora oštrice	mm	30
Širina reza	mm	2,3
Maksimalni kapacitet rezanja Mitra 0° / Kosa 0° (Š x V)	mm	340 x 102
Maksimalni kapacitet rezanja Mitra 0° / Kosa (L) 45° (Š x V)	mm	340 x 48
Maksimalni kapacitet rezanja Mitra 0° / Kosa (P) 45° (Š x V)	mm	340 x 40
Maksimalni kapacitet rezanja Mitra (L/P) 45° / Kosa 0° (Š x V)	mm	235 x 102
Maksimalni kapacitet rezanja Mitra (L/P) 45° / Kosa (L) 45° (Š x V)	mm	235 x 48
Maksimalni kapacitet rezanja Mitra (L/P) 45° / Kosa (P) 45° (Š x V)	mm	235 x 40
Razina zvučnog tlaka (LpA)	dB(A)	92
Razina zvučne snage (LwA)	dB(A)	105

TEHNIČKI PODACI		
Broj artikla	46 614	
Model	SCMS-DB 305 PLUS	
Nesigurnost (K)	dB	3
Neto težina	kg	19,5

## IDENTIFIKACIJA (FIG. 1, 2)

1. Prekidač okidač
2. Čuvar donje oštrice
3. Osnovna ploča
4. Bočna ručka
5. Proširenje krila
6. Zaustavite ploču
7. Ograda vodiča
8. Radna stezaljka
9. Klizna brava
10. Motor
11. Karbonska kapica četkice
12. Operacija ručka
13. Poklopac pojasa
14. Brava osovine
15. Razina bevel
16. Miter ljestvica
17. Okreni ručicu brave
18. Stol za skretanje
19. Laser
20. Stopper ruka
21. Oštrica

## OPERACIJA

### PRIPREMA JEDINICE

Raspakiranje i dovršavanje sklopa treba obaviti na ravnoj i stabilnoj površini, s dovoljno prostora za pomicanje stroja i njegove ambalaže, uvijek koristeći prikladnu opremu.

### UPOZORENJE:

Uvijek isključite uređaj iz napajanja prije bilo kakvog podešavanja.

Za sastavljanje stroja:

### Otpustite reznu glavu

1. Lagano pritisnite prema dolje ručku prekidača.
2. Izvucite zasun za zaustavljanje (Sl. 3.1).
3. Ostavite da se glava za rezanje podigne u gornji položaj.

### UPOZORENJE

Kako biste izbjegli ozljede i oštećenja pile, transportni pilu premjestite ili odložite s reznom glavom zaključanom u donjem položaju pomoću zasuna za zaustavljanje. Nikada nemojte koristiti graničnik za zaustavljanje kako biste držali glavu za rezanje u donjem položaju za rezanje.

### Bočna ručka

Umetnite dršku mitre (Sl. 4.1) u otvor na tablici mitre (Sl. 4.2).

### Vrećica za prašinu

1. Stisnite metalna krila ovratnika (Sl. 5.2) na

vrećicu za prašinu (Sl. 5.1).

2. Postavite otvor vrata vrećice za prašinu oko ispušnog otvora (Sl. 5.3) i otpustite metalna krila ovratnika.

### UPOZORENJE

Nemojte koristiti vrećicu za prašinu prilikom obrade metala. Vrući iver ili iskra mogu zapaliti pileću prašinu ili samu vrećicu. Često čistite i uklanjajte piljevinu ispod pile.

### Produžna krila

1. Otpustite gumb (Sl. 6.1), zatim pomaknite stol za produženje u željeni položaj i zategnite gumb.
2. Granična ploča dizajnirana je za upotrebu tijekom ponavljajućeg rezanja. Odjednom koristite samo jednu graničnu pločicu. Okrenite graničnu ploču (Sl. 6.3) u vertikalni položaj i ponovno zategnite vijak za zaključavanje (Sl. 6.2).

### Radna stezaljka

1. Postavite sklop radne stezaljke (Sl. 7.1) u jedan od otvora za pričvršćivanje (Sl. 7.2).
2. Visina sklopa stezaljke može se prilagoditi gumbom za otpuštanje (Sl. 7.3) koji se nalazi na stražnjoj strani stezaljke.

### Osnovna ploča od klupe

Postavite pilu na željeno mjesto izravno na radni stol gdje ima mjesta za rukovanje i odgovarajuću potporu radnog predmeta. Podnožje pile ima četiri rupe za pričvršćivanje. Pričvrstite podnožje kružne pile (Sl. 8.1) na radni stol (Sl. 8.5) pomoću svornjaka (Sl. 8.2), gumene podloške (Sl. 8.3), ravnih podloška (Sl. 8.4, 8.6), podloške za zaključavanje (Sl. 8.7), maticu (Sl. 8.8) i sigurnosnu maticu (Sl. 8.9) kako je prikazano.

### BILJEŠKA

Oprema za montiranje nije uključena u ovaj alat. Vijke, matice, podloške i vijke morate kupiti zasebno.

### Gumb za zaključavanje

Kako bi se spriječio slučajno povlačenje okidača prekidača (Sl. 9.1), predviđen je donji gumb za zaključavanje zaštitne oštrice (Sl. 9.2). Da biste pokrenuli alat, povucite gumb za zaključavanje protiv štitnika oštrice i pritisnite okidač prekidača. Otpustite okidač prekidača i gumb za zaključavanje da biste se zaustavili.

### UPOZORENJE

Prije uključivanja alata, uvijek provjerite radi li okidač prekidača i vraća li se u položaj "ISKLJUČENO" kada se otpusti. Ne pritisakajte snažno okidač prekidača bez povlačenja gumba za zaključavanje, jer to može prouzročiti puknuće prekidača. Rukovanje alatom s prekidačem koji ne radi pravilno može dovesti do gubitka kontrole i ozbiljnih ozljeda.

### Jednofazni motor

Instalirani elektromotor potpuno je ožičen i spreman za rad. Priključak kupca na sustav napajanja i svi produžni kabeli koji se mogu koristiti moraju biti u skladu s lokalnim propisima. Redovito provjeravajte oštećenja na električnim priključnim kabelima.

Pri provjeri provjerite je li kabel odspojen od električne mreže. Mrežni napon mora se podudarati s naponom navedenim na tipskoj pločici motora. Priključak na električnu mrežu mora biti zaštićen odgovarajućim osiguračem usporenog djelovanja i mora se koristiti samo utičnica s pravilno ugrađenim kontaktom uzemljenja.

## UPRAVLJANJE JEDINICOM UPOZORENJE

Zbog vlastite sigurnosti držite prekidač stroja u isključenom položaju dok izvodite bilo koji od dolje navedenih postupaka podešavanja. Stroj treba biti uključen, samo ako to navodi određeni korak postupka i samo za taj određeni korak.

### Namještanje graničnika

Donji granični položaj oštrice lako se može podesiti pomoću graničnika (Sl. 10.1). Da biste ga prilagodili, pomaknite graničnik u smjeru strelice kao što je prikazano na slici. Podesite vijak (Sl. 10.2) tako da se oštrica zaustavi u željenom položaju pri potpuno spuštanju ručke.

### Prilagođavanje kutova mitre

#### UPOZORENJE

Pri podešavanju kuta nagiba, podignite ručku u potpunosti. Nakon promjene kuta nagiba, uvijek učvrstite stolić okretanjem čvrsto stežući držač.

1. Otpustite ručku (Sl. 11.4) okrećući je u smjeru suprotnom od kazaljke na satu.
2. Okrenite stol za okretanje dok pritiskate ručicu za zaključavanje (Sl. 11.3).
3. Kada ste pomaknuli držač u položaj u kojem pokazivač (Sl. 11.2) pokazuje željeni kut na skali mitre (Sl. 11.1), čvrsto zategnite držač u smjeru kazaljke na satu.

### Podešavanje kuta nagiba

#### UPOZORENJE

Pri podešavanju kuta nagiba, obavezno podignite ručku u potpunosti.

1. Otpustite ručicu (Sl. 12.1) na stražnjoj strani alata u smjeru suprotnom od kazaljke na satu.
2. Otključajte ruku gurajući ručku u smjeru u kojem namjeravate nagnuti list pile.
3. Naginjte list pile sve dok pokazivač (Sl. 13.3) ne usmjeri na željeni kut na skali za košenje (Sl. 13.4).
4. Čvrsto zategnite ručicu (Sl. 13.1) u smjeru kazaljke na satu da učvrstite ruku (Sl. 13.2).

### Klizno zaključavanje

Da biste zaključali klizač, okrenite vijak za zaključavanje (Sl. 14.1) u smjeru kazaljke na satu.

### Podešavanje ograde vodiča

#### UPOZORENJE

Prije rukovanja alatom, pobrinite se da je klizna ograda čvrsto pričvršćena i da niti jedan dio alata ne dodiruje kliznu ogradu kada se potpuno spušta i podiže ručka u bilo kojem položaju i dok se kočija pomiče kroz cijeli raspon hoda.

1. Prilikom rezanja kosine, pomaknite kliznu ogradu (Sl. 15.1) u stranu i učvrstite je stezним vijakom (Sl. 15.2). Ovaj je alat opremljen kliznom ogradom

koja bi obično trebala biti postavljena kako je prikazano na slici:

- Za rezanje lijevog kosa obavezno postavite lijevu kliznu ogradu (Sl. 16.1) u ispravan položaj ako je glava alata dotakne.
- Za desne rezove pod nagibom, postavite desnu kliznu ogradu (Sl. 16.2) u ispravan položaj ako je glava alata dotakne.

2. Kad su operacije rezanja kosine gotove, vratite kliznu ogradu u prvobitni položaj i učvrstite je čvrsto stezanjem steznog vijka.

### Laserski rad

Prije upotrebe lasera tijekom rezanja, dvije baterije u priboru trebate staviti u kutiju za baterije (Sl. 17.2) s desne strane ruke. Uključite laserski prekidač (Sl. 17.1) i provjerite je li laserska linija (Sl. 17.3) u središtu baze.

### Pritisnite rez

Da biste izrezali male radne dijelove:

1. Potpuno gurnite nosač prema ogradu za vođenje i zategnite vijak za zaključavanje u smjeru kazaljke na satu kako biste učvrstili nosač.

### UPOZORENJE

Nedovoljno zatezanje gumba može prouzročiti moguć povrtni udarac koji može dovesti do ozbiljnih ozljeda.

2. Ispravno učvrstite radni predmet odgovarajućom vrstom škripca.
3. Uključite alat bez da oštrica dodiruje i pričekajte dok oštrica ne postigne punu brzinu prije spuštanja.
4. Lagano spustite ručku u potpuno spuštenu položaj da biste izrezali radni predmet.
5. Kad je rezanje završeno, isključite alat i pričekajte da se oštrica potpuno zaustavi prije nego što vratite oštricu u svoj potpuno povišen položaj.

### Klizno rezanje

Da biste izrezali široke radne dijelove:

1. Otpustite sigurnosni vijak u smjeru suprotnom od kazaljke na satu kako bi nosač mogao slobodno kliziti.
2. Osigurajte radni predmet odgovarajućom vrstom škripca.
3. Povučite kočiju u potpunosti prema sebi.
4. Uključite alat bez da oštrica dodiruje i pričekajte dok oštrica ne postigne punu brzinu prije spuštanja.
5. Pritisnite ručku prema dolje i gurnite nosač prema vodiču i kroz radni predmet.

### UPOZORENJE

Ne započinjte rez reznom kočijom koja nije u potpunosti povučena prema vama, jer može doći do neočekivanog povratnog udara koji može dovesti do ozbiljnih ozljeda. Nikada nemojte pokušavati izvesti klizanje povlačenjem kočije prema sebi, jer to može prouzročiti neočekivani povratni udarac koji može dovesti do ozbiljnih ozljeda.

6. Kad je rezanje završeno, isključite alat i pričekajte da se oštrica potpuno zaustavi prije nego što vratite oštricu u svoj potpuno povišen položaj.

### UPOZORENJE

Nikad ne izvodite klizni rez s ručkom zaključanom u spuštеноm položaju i nikada ne odvrtnite vijak za zaključavanje koji učvršćuje nosač dok se oštrica

okreće. Labavi nosač tijekom rezanja može prouzročiti neočekivani povratni udarac što može dovesti do ozbiljnih ozljeda.

### Mitre cut

Pogledajte odjeljak "Podešavanje kuta nagiba" za upute o postavljanju reza.

### Rez kosine

Pogledajte odjeljak "Podešavanje kuta nagiba" za upute o postavljanju reza.

### UPOZORENJE

Nakon postavljanja oštrice za rezanje kosa, prije rukovanja alatom osigurajte da će nosač i oštrica imati slobodan hod kroz čitav raspon namjeravanog reza. Prekid vožnje nosača ili noža tijekom rezanja može rezultirati povratnim udarom i ozbiljnim osobnim ozljedama.

1. Osigurajte radni predmet škripcima.
2. Provjerite je li kočija povučena skroz natrag prema rukovaocu.
3. Uključite alat bez oštrice i dodirnite oštricu dok ne postigne punu brzinu.
4. Pritisnite ručicu prema dolje i gurnite nosač prema vodiču i kroz radni predmet.

### BILJEŠKA

Kad pritisnete ručku, pritisnite paralelno s oštricom. Ako se sila primijeni okomito na osnovicu zavoja ili ako se tijekom rezanja promijeni smjer pritiska, točnost rezanja negativno će utjecati.

5. Kad je rezanje završeno, isključite alat i pričeka-  
jte da se oštrica potpuno zaustavi prije nego što vratite oštricu u svoj potpuno povišen položaj.

### UPOZORENJE

Dok izrađujete kosi rez, držite ruke dalje od puta oštrice. Kut oštrice može zbuniti rukovatelja glede stvarnog puta oštrice dok rezanje i kontakt s oštricom rezultiraju ozbiljnom tjelesnom ozljedom.

### UPOZORENJE

Oštrica se ne smije podizati dok se potpuno ne zaustavi. Tijekom rezanja kosine odrezani komad može se nasloniti na oštricu. Ako se oštrica podigne dok se okreće, oštrica može izbaciti odsječeni komad, što može dovesti do ozbiljnih ozljeda.

### UPOZORENJE

Uvijek pazite da ograda za vođenje ne ometa nijedan dio nosača pri rezanju kosog kosa.

### Kombinirani rez

Kombinirano rezanje postupak je u kojem se istodobno izrađuje kut kosa u kojem se na radnom komadu reže kut usjeka.

## ODRŽAVANJE I ČIŠĆENJE

Svakih šest mjeseci do jedne godine (ovisno o učestalosti i intenzitetu uporabe) odnesite svoj uređaj do najbližeg servisa radi sljedećih servisnih radnji:

- ▶ Podmazivanje.
- ▶ Pregled i zamjena četkica.
- ▶ Mehanički pregled i čišćenje (zupčanci, ležajevi itd.).
- ▶ Električni pregled (prekidač, kabel itd.).
- ▶ Ispitivanje radi osiguranja ispravnog mehaničkog i

električnog rada.

### UPOZORENJE

Zbog vlastite sigurnosti isključite prekidač i izvadite utikač iz utičnice prije bilo kakvog postupka održavanja na stroju. Održavajte svoj uređaj čistim. Da biste izbjegli oštećenja motora, često ga ispuhajte ili usisavajte kako biste spriječili da prašina od pila ometa normalnu ventilaciju motora.

### ČETKE ZA MOTOR UGLJIK

Uklanjajte i redovito provjeravajte ugljične četke motora. Održavajte ih čistima i zamijenite ih ako je prisutno prekomjerno trošenje.

Da biste zamijenili karbonske četke:

1. Odvijaćem uklonite poklopac držača četke.
2. Izvadite istrošene karbonske četke.
3. Umjetnite novu karbonsku četku.

### BILJEŠKA

Karbonske četke treba zamijeniti u identičnim parovima, bez obzira na pojedinačno trošenje.

4. Učvrstite poklopac držača četke. Nakon zamjenjene četkica, uključite alat i razbijte četke pokretanjem alata bez opterećenja oko 10 minuta. Zatim provjerite ispravnost rada alata i električne kočnice za zaustavljanje okretanja oštrice prilikom otpuštanja okidača prekidača, prema tvorničkim standardima.

### REZANJE OŠTRICE

#### UPOZORENJE

Uvijek koristite zaštitne rukavice prilikom rukovanja oštricom za rezanje i pobrinite se da ste uređaj odspojili od električne utičnice. Upotrijebite nasadni ključ za ugradnju ili uklanjanje oštrice. Neupotreba ključa može dovesti do prekomjernog zatezanja ili nedovoljnog zatezanja šestero-kutnog vijaka i ozbiljnih ozljeda.

#### Uklanjanje oštrice

1. Isključite pilu iz utičnice.
2. Ostavite da se glava za rezanje podigne u uspravan položaj. Otpustite odvijaćem vijak pokrovne ploče (Sl. 9.2).
3. Podignite donji štitnik oštrice (Sl. 18.1) u gornji položaj.
4. Okrenite pokrovnu ploču (Sl. 18.3) prema stražnjem dijelu alata da biste otkrili vijak oštrice (Sl. 18.4).
5. Postavite ključ na vijak oštrice.
6. Pronađite gumb za zaključavanje na ručki za upravljanje.
7. Pritisnite tipku za zaključavanje čvrsto je držeći dok okrećete ključ oštrice u smjeru kazaljke na satu. Brava će se aktivirati nakon okretanja ključa. I dalje držite tipku za zaključavanje kako biste je zadržali u položaju dok okrećete ključ u smjeru kazaljke na satu da biste otpustili vijak oštrice.
8. Uklonite vijak (Sl. 19.1), podlošku (Sl. 19.2) i oštricu (Sl. 19.3). Ne uklanjajte unutarnji ovrtnik oštrice. (Sl. 19.4).

#### Ugradnja oštrice

1. Isključite pilu iz utičnice.
2. Instalirajte oštricu od 30 inča (12 in.) S unutarn-

jom rupom od 1 in. (25,4mm), pazite da se strelica za okretanje na oštrici podudara sa strelicom za okretanje u smjeru kazaljke na satu na gornjoj štitnici i da zubi oštrice budu usmjereni prema dolje.

3. Postavite podlošku (Sl. 19.2) na oštricu i na osovinu. Provcute vijak (Sl. 19.1) u smjeru suprotno od kazaljke na satu.
4. Postavite ključ na vijak oštrice.
5. Pritisnite tipku za zaključavanje čvrsto je držeći dok okrećete oštricu u smjeru suprotnom od kazaljke na satu. Kad se brava učvrsti, nastavite je pritiskati dok čvrsto pritežete svornjak oštrice.
6. Zakrenite pokrovnu ploču (Sl. 18.3) natrag u prvobitni položaj dok se utor na pokrovnoj ploči ne spoji s vijkom pokrovne ploče (Sl. 18.2). Držeći donji štitnik oštrice, pritegnite vijak odvijaćem.

### BILJEŠKA

Za pristup vijku pokrovne ploče mora se podići donji štitnik oštrice.

7. Spustite štitnik oštrice (Sl. 18.1) i provjerite ispravan rad štitnika.
8. Otpustite gumb za zaključavanje tako da se oštrica slobodno okreće.

### UPOZORENJE

Kako biste izbjegli ozljede, nikada nemojte koristiti pilu bez zaštitne ploče na mjestu. Sprečava da vijak oštrice ispadne ako se slučajno olabavi i pomaže u sprečavanju da oštrica skrene s pile. Provjerite jesu li ovrtnici čisti i pravilno postavljeni. Spustite oštricu na donji stol i provjerite ima li kontakta s metalnom bazom ili mitralnim stolom.

### KABEL ZA NAPAJANJE

Da biste izbjegli opasnost od udara ili požara, ako je kabel za puž ili pukotina ili na bilo koji način oštećen, odmah ga zamijenite. Električni priključni kabeli često trpe oštećenja izolacije. Mogući uzroci su:

1. Probijte točke kada se priključni kabeli provode kroz prozore ili vrata.
2. Kinks koji nastaju zbog nepravilnog pričvršćivanja ili polaganja priključnog kabela.
3. Rezovi nastali prolaskom preko spojnog kabela.
4. Oštećenja izolacije nastala nasilnim izvlačenjem iz zidne utičnice.
5. Pukotine starenjem izolacije.
6. Takvi neispravni električni priključni kabeli ne smiju se koristiti jer ih oštećenja izolacije čine izuzetno opasnim.

### PODMAZIVANJE

Povremeno podmazujte pokretne dijelove.

### ČIŠĆENJE

Upotrijebite malu mekanu četku za čišćenje vanjske strane jedinice. Ne koristite jake deterdžente. Sredstva za čišćenje u domaćinstvu koja sadrže aromatična ulja poput bora i limuna te otapala poput kerozina mogu oštetiti plastično kućište ili dršku. Obrišite vlagu mekom krpom. Po potrebi uklonite prašinu, prljavštinu i ostatke obrade odgovarajućim usisavačem.

### SKLADIŠTENJE

#### UPOZORENJE:

Isključite prekidač i izvadite utikač iz utičnice kako biste spremili uređaj. Jedinicu čuvajte samo na suhim i dobro prozračenim mjestima.

U slučaju da će se jedinica čuvati dulje vrijeme, upotrijebite sljedeći postupak skladištenja:

1. Temeljito očistite jedinicu i pregledajte ima li labavih ili oštećenih dijelova. Popravite ili zamijenite oštećene dijelove i zategnite labave vijke, matice ili vijke.
2. Prema potrebi podmazite i nanesite mast.
3. Skladištite jedinicu u originalnom pakiranju

### ZAŠTITA OKOLIŠA

Reciklirajte sirovine, umjesto da ih odlažete kao otpad. Stroj, pribor i ambalažu treba razvrstati radi recikliranja prihvatljivog za okoliš. Plastične komponente su označene za kategoriziranu reciklažu.

Ovaj se proizvod ne smije odlagati zajedno s kućnim otpadom u skladu s odgovarajućom zakonskom regulativom koja se odnosi na otpad električne i elektroničke opreme. Ovaj se proizvod mora odložiti na određeno mjesto za sakupljanje. To se može dogoditi, na primjer, predajom na ovlaštenom sabirnom mjestu za recikliranje otpadne električne i elektroničke opreme. Nepravilno rukovanje otpadnom opremom može imati negativne posljedice na okoliš i ljudsko zdravlje zbog potencijalno opasnih tvari koje se često nalaze u električnoj i elektroničkoj opremi. Pravilnim odlaganjem ovog proizvoda pridonosite i učinkovitoj upotrebi prirodnih resursa.

Informacije o mjestima sakupljanja otpadne opreme možete dobiti od vaše općinske uprave, javnog tijela za zbrinjavanje otpada, ovlaštenog tijela za zbrinjavanje otpada električne i elektroničke opreme ili vaše tvrtke za zbrinjavanje otpada.

### JAMSTVO

Ovaj je proizvod zajamčen u skladu sa zakonskim propisima / propisima specifičnim za državu, koji stupaju na snagu od datuma kupnje od strane prvog korisnika. Oštećenja koja se pripisuju uobičajenom trošenju, preopterećenju ili nepravilnom rukovanju bit će isključena iz jamstva. U slučaju potraživanja, pošaljite stroj u potpunosti montiranom prodavaču ili službenom servisnom centru.

## ROMÂNĂ

### AVERTISMENTE GENERALE DE SIGURANȚĂ

Citiți și înțelegeți acest manual al proprietarului înainte de a utiliza acest produs. Puteți ajuta la prevenirea accidentelor familiarizându-vă cu controalele produsului dvs. și respectând procedurile de operare și semnele de siguranță. Folosește-ți întotdeauna bunul simț pentru a evita toate situațiile considerate dincolo de capacitatea ta. Nu utilizați în timp ce sunteți obosit sau sub influența drogurilor, a alcoolului sau a oricărui alt medicament. În timpul funcționării, păstrați spectatori și animalele care ar putea fi rănite, precum și obiectele care ar putea fi deteriorate. Nu permiteți niciodată copiilor sau persoanelor care nu sunt familiarizați cu aceste instrucțiuni să utilizeze produsul. Legile locale pot restricționa vârsta minimă a operatorului. Rețineți că operatorul sau utilizatorul este responsabil pentru accidente sau evenimente neașteptate care apar la alte persoane, animale sau proprietatea acestora. Nu expuneți produsul la umiditate excesivă, praf, murdărie sau vapori corozivi. Nu montați echipamente sau accesorii pe mașină neprevăzute sau aprobate de producător. Nu încercați niciodată să modificați produsul. Modificările sau accesorii neautorizate pot duce la vătămări corporale grave sau la moartea operatorului sau a altor persoane. Consultați distribuitorul autorizat pentru demontare și service, care nu sunt acoperite în acest manual. Dacă se rupe ceva sau apare un accident în timpul lucrului, opriți imediat mașina și îndepărtați-o pentru a preveni deteriorarea ulterioară. În cazul în care corpul străin a intrat în mașină, opriți-l imediat, inspectați-l pentru eventuale deteriorări și efectuați reparații înainte de a o reporni.

### ECHIPAMENT DE PROTECȚIE

Asigurați-vă că utilizați echipament de protecție adecvat și certificat atunci când utilizați unitatea. Purtați întotdeauna îmbrăcăminte care nu împiedică mișcările, mănuși de protecție, ochelari de protecție, aparat de respirat cu jumătate de mască, protecție pentru urechi și cizme de protecție antifoarfecă cu tălpi antiderapante. Nu purtați niciodată eșarfe, coliere sau orice accesorii și îmbrăcăminte care atârână sau clapă care s-ar putea prinde în aparat. Legați-vă părul dacă este lung.

### PERICOLUL DE INCENDIU ȘI ARSURĂ

Defecțiunile echipamentelor electrice pot provoca scântei care ar putea aprinde materiale inflamabile.

Asigurați-vă că păstrați zona de lucru curată și ordonată și nu folosiți mașina lângă material inflamabil. Dacă apare un incendiu, utilizați un stingător adecvat.

Nu atingeți piesele rotative și instrumentul de găurit după ce ați lucrat. Unele suprafețe pot deveni foarte fierbinți în timpul utilizării și ar trebui să li se acorde timp să se răcească înainte de a le atinge.

### AVERTISMENTE DE SIGURANȚĂ CATEGORIE

#### FUNCȚIONARE SIGURĂ

Toate părțile operaționale ale mașinii trebuie să se deplaseze cu ușurință dintr-o poziție în cealaltă și nu trebuie să fie forțate. Cablurile electrice și în special cablul fișei principale trebuie să fie în stare perfectă pentru a evita generarea de scântei sau riscul de electrocutare. Mănerile și dispozitivele de protecție trebuie să fie curate și uscate, precum și fixate în siguranță la mașină. Acționați mașina cu ambele mâini. Asigurați-vă că utilizați întotdeauna instrumentul corect pentru fiecare lucrare pentru a evita defectarea sau rănirea mașinii și pentru a evita supraîncălzirea mașinii. Tensiunea și frecvența nominală a alimentării cu energie electrică trebuie să fie în conformitate cu specificațiile mașinii. Asigurați-vă că întreprinzătorul mașinii este oprit atunci când îl conectați, pentru a evita riscul cauzat de pornirea neintenționată. Îndepărtați orice cheie și cheie de pe mașină înainte de utilizare.

Asigurați-vă că opriți aparatul și deconectați-l de la rețea:

- ▶ Când montați sau scoateți accesorii și scule.
- ▶ Ori de câte ori lăsați mașina nesupravegheată.
- ▶ În timpul curățării sau întreținerii.
- ▶ În timpul re poziționării mașinii, transportului sau depozitării.

În caz de defecțiuni sau blocaj al mașinii, opriți imediat mașina și scoateți-o din sursa de alimentare. Mașina nu trebuie pornită din nou dacă blocajul nu este eliminat sau dacă se modifică defecțiunea, la un centru de service autorizat atunci când este necesar. Mașina se poate bloca atunci când:

- ▶ Mașina este supraîncăcată.
- ▶ Piesa de prelucrat este blocată.

#### PERICOLUL ELECTRICITĂȚII

Asigurați-vă că cablurile electrice ale mașinii și prizele de rețea, la care este conectată, sunt în stare bună și nu sunt uzate. Nu folosiți niciodată o mașină deteriorată sau o mașină cu cabluri și prize electrice deteriorate sau uzate. Nu expuneți mașina și cablurile electrice la condiții de umezeală și nu atingeți niciodată când sunteți umede. Utilizați o priză cu contact la sol.

Nu intrați în contact cu suprafețe împământate sau cabluri electrice, pentru a evita riscul de electrocutare. Nu folosiți cablul pentru a scoate ștecherul din priză."

Pentru a preveni deteriorarea cablului de alimentare, conduceți întotdeauna cablul de alimentare departe de partea din spate a mașinii și protejați-l de căldură, ulei și obiecte ascuțite. Când mașina trebuie utilizată în aer liber, utilizați numai prelungitoare destinate utilizării în exterior. Secțiunea transversală a oricărui cablu prelungitor trebuie să măsoare cel puțin 1,5mm<sup>2</sup> și conexiunea la rețea trebuie protejată printr-o siguranță adecvată.

#### PERICOLE PENTRU PIESELE ROTATIVE

Piese rotative pot cauza răni grave. Evitați con-



tactul pieselor rotative atunci când acestea sunt încă în rotație și asigurați-vă că păstrați departe orice lucru care ar putea fi prins în mașina de operare, cum ar fi părul liber și îmbrăcămintea. Țineți-vă mâinile departe de zona de prelucrare atunci când folosiți mașina.

Piesele și instrumentele de lucru pot ricoșa și pot duce la răni și daune materiale. Asigurați-vă că mașina și sculele sunt întotdeauna în stare bună. Folosiți cleme sau un menhină pentru a menține piesa de prelucrat ferm în poziție. Nu lucrați pe obiecte care sunt prea mici pentru a fi fixate în siguranță.

Verificați alinierea corectă a pieselor în mișcare și rotire sau alte defecțiuni care ar putea fi o sursă de pericol. Un dispozitiv de protecție deteriorat sau altă piesă trebuie înlocuit de un centru de service autorizat înainte de a utiliza mașina.

Nu atingeți piesele rotative înainte ca acestea să se oprească complet.

### PERICOLE DE ZGOMOT ȘI VIBRAȚII

Nivelurile de zgomot prezentate în aceste instrucțiuni sunt nivelurile maxime de utilizare a mașinii. O întreținere insuficientă are un impact semnificativ asupra vibrațiilor și emisiilor de zgomot. În consecință, este necesar să se ia măsuri preventive pentru a elimina posibilele daune cauzate de nivelurile ridicate de zgomot și de stresul cauzat de vibrații. Păstrați bine mașina, purtați dispozitive de protecție a urechilor, mănuși antivibrații și faceți pauze în timp ce lucrați.

### PERICOLUL ZONEI DE LUCRU

Inspectați cu atenție întreaga zonă de lucru și folosiți o perie de greblă sau curte pentru a slăbi manual resturile și a îndepărta orice lucru care ar putea fi o sursă periculoasă pentru dvs. sau poate provoca deteriorarea mașinii. Păstrați zona de lucru curată și ordonată. Nu folosiți mașina în condiții de mediu umed sau atunci când mașina este umedă. Țineți mașina departe de materialul inflamabil. Verificați dacă nu există spectatori, animale sau obiecte care ar putea fi deteriorate în raza de acțiune a mașinii.

Operați numai în zone bine ventilate. Așchiile și praful de fierăstrău pot reprezenta un pericol pentru sănătate atunci când sunt inhalate sau în contact cu ochii. Purtați întotdeauna mască de protecție adecvată și ochelari de protecție la jumătate de mască, atunci când lucrați cu astfel de materiale și utilizați un dispozitiv de extragere a prafului.

Lucrați numai la lumina zilei sau cu lumină artificială adecvată, în condiții de vizibilitate bună. Încercați să nu provocați nicio perturbare a zgomotului, utilizând acest aparat numai în momente rezonabile ale zilei.

Asumă o poziție fermă și bine echilibrată. Unde este posibil, evitați lucrul pe teren umed, alunecos sau, în orice caz, pe teren neuniform sau abrupt, care nu garantează stabilitatea operatorului.

Depozitarea sculelor care nu sunt folosite trebuie făcută într-un loc uscat și sigur, departe de mașina de operare și în afara accesului copiilor.

### RISCURI RESTANTE

Mașina a fost construită folosind tehnologia modernă și în conformitate cu normele de siguranță recunoscute. Chiar și atunci când toate măsurile de siguranță sunt în vigoare, pot fi prezente unele pericole rămase, care nu sunt încă evidente. Operatorul ar trebui să folosească bunul simț și să ia măsurile de precauție necesare pentru a evita riscurile din cauza pericolelor rămase.

### SPECIFICAȚIILE PRODUSULUI

#### UTILIZAREA PREVĂZUTĂ

Această mașină este proiectată și fabricată pentru prelucrarea pieselor de prelucrare prin tăiere de ex. piese din material lemnos. Nu este conceput pentru utilizări comerciale grele.

Orice altă utilizare diferită de cele menționate mai sus poate fi periculoasă, poate dăuna oamenilor și / sau deteriora lucrurile și mașina.

#### UTILIZARE NEAPROPATĂ

Mașina nu trebuie utilizată pentru prelucrarea materialelor periculoase, de ex. acumularea de produse inflamabile sau explozive și orice alt obiect care ar putea fi periculos pentru mașină în sine, precum și pentru operator, spectatori, animale sau bunuri.

Alte exemple de utilizare necorespunzătoare pot include, dar nu sunt limitate, la funcționarea mașinii:

- ▶ Fără accesoriile originale furnizate de producător.
- ▶ Cu accesorii originale, dar într-un fel nu conform instrucțiunilor.
- ▶ Fără piese de schimb originale.
- ▶ Cu modificări neautorizate.

#### NOTĂ

În conformitate cu legile aplicabile privind răspunderea produsului, producătorul dispozitivului nu își asumă răspunderea pentru daunele produsului sau daunele cauzate de produs care apar din cauza:

- ▶ Manipularea necorespunzătoare nu a fost respectată cu instrucțiunile de utilizare.
- ▶ Reparații de către terți și nu de către tehnicieni de service autorizați.
- ▶ Instalarea pieselor de schimb neoriginale.
- ▶ Utilizare neintenționată.
- ▶ Defecțiunea sistemului electric datorită puterii mașinii într-un mod care nu este conform cu regulamentele electrice și VDE.

#### DATE TEHNICE

Număr de identificare

46 614

Model

SCMS-DB 305 PLUS

Tensiune

V 220-240

Frecvență

Hz 50

Putere nominală

W 2.000

Viteză fără sarcină

rpm 4.500

Diametrul exterior al lamei

mm 305

DATE TEHNICE		
Număr de identificare		46 614
Model	SCMS-DB 305 PLUS	
Dimensiunea alezajului lamei	mm	30
Lățimea tăieturii	mm	2,3
Maximum cutting capacity Mitre 0° / Bevel 0° (W x H)	mm	340 x 102
Maximum cutting capacity Mitre 0° / Bevel (L) 45° (W x H)	mm	340 x 48
Maximum cutting capacity Mitre 0° / Bevel (R) 45° (W x H)	mm	340 x 40
Maximum cutting capacity Mitre (L/R) 45° / Bevel 0° (W x H)	mm	235 x 102
Maximum cutting capacity Mitre (L/R) 45° / Bevel (L) 45° (W x H)	mm	235 x 48
Maximum cutting capacity Mitre (L/R) 45° / Bevel (R) 45° (W x H)	mm	235 x 40
Nivo zbučnog pritiska (LpA)	dB(A)	92
Nivo snage zvuka (LwA)	dB(A)	105
Incertitudine (K)	dB	3
Greutate netă	kg	19,5

## IDENTIFICARE (FIG. 1, 2)

1. Comutați declanșatorul
2. Apărătoarea inferioară a lamei
3. Placă de bază
4. Mâner lateral
5. Aripa de extensie
6. Placă de oprire
7. Gard de ghidare
8. Clema de lucru
9. Blocare cu diapozitive
10. Motor
11. Capac perie carbon
12. Mâner de funcționare
13. Capac de curea
14. Blocare ax
15. Manetă conică
16. Scara mitrelor
17. Rotiți maneta de blocare
18. Întoarceți masa
19. Laser
20. Brațul dopului
21. Lamă

## OPERAȚIUNE

### PREGĂTIREA UNITĂȚII

Despachetarea și completarea ansamblului trebuie făcute pe o suprafață plană și stabilă, cu suficient spațiu pentru deplasarea mașinii și a ambalajului acesteia, folosind întotdeauna echipamentul adecvat.

### AVERTIZARE:

Deconectați întotdeauna aparatul de la sursa de alimentare înainte de orice ajustare.

Pentru a asambla mașina:

### Eliberați capul de tăiere

1. Împingeți ușor în jos mânerul comutatorului.
2. Trageți zăvorul de oprire (Fig. 3.1).
3. Lăsați capul de tăiere să se ridice în poziția sus.

### AVERTIZARE

Pentru a evita rănirea și deteriorarea ferăstrăului, transportați sau depozitați ferăstrăul de tăiat cu capul de tăiere blocat în poziția de jos folosind zăvorul de oprire. Nu folosiți niciodată zăvorul de oprire pentru a ține capul de tăiere în poziție în jos pentru operațiuni de tăiere.

### Mâner lateral

Introduceți mânerul de tăiere (Fig. 4.1) în deschiderea din lateralul de tăiere (Fig. 4.2).

### Sac de praf

1. Strângeți aripile metalice ale gulerului (Fig. 5.2) pe punca de praf (Fig. 5.1).
2. Așezați gura sacului de praf în jurul orificiului de evacuare (Fig. 5.3) și eliberați aripile metalice ale gulerului.

### AVERTIZARE

Nu folosiți sacul de praf atunci când prelucrați metale. Așchii fierbinți sau scântelele pot aprinde praful de ferăstrău sau punca în sine. Curățați și îndepărtați frecvent rumegușul de sub ferăstrău.

### Aripi de extensie

1. Slăbiți butonul (Fig. 6.1), apoi glisați masa de extensie în poziția dorită și strângeți butonul.
2. Placa de oprire este proiectată pentru utilizare în timpul tăierii repetitive. Folosiți o singură placă de oprire odată. Rotiți placa de oprire (Fig. 6.3) în poziție verticală și strângeți din nou șurubul de blocare (Fig. 6.2).

### Clema de lucru

1. Așezați ansamblul clemei de lucru (Fig. 7.1) într-unul din orificiile de montare (Fig. 7.2).
2. Înălțimea ansamblului clemei poate fi reglată prin slăbirea butonului (Fig. 7.3) situat în partea din spate a clemei.

### Placa de bază pe bancă

Așezați ferăstrăul în locația dorită direct pe un banc de lucru, unde există spațiu pentru manipularea și susținerea corespunzătoare a piesei de prelucrat. Baza ferăstrăului are patru găuri de montare. Înșurubați baza ferăstrăului (Fig. 8.1) la bancul de lucru (Fig. 8.5) folosind șurub (Fig. 8.2), șaibă de cauciuc (Fig. 8.3), șaibe plate (Fig. 8.4, 8.6), șaibă

de blocare (Fig. 8.7), piulița (Fig. 8.8) și piulița de blocare (Fig. 8.9) așa cum se arată.

#### NOTĂ

Hardware-ul de montare nu este inclus cu acest instrument. Șuruburile, piulițele, șaibele și șuruburile trebuie achiziționate separat.

#### Buton de blocare

Pentru a preveni apăsarea accidentală a declanșatorului comutatorului (Fig. 9.1), este prevăzut un buton inferior de blocare a protecției lamei (Fig. 9.2). Pentru a porni instrumentul, trageți butonul de blocare de protecția lamei și apăsați butonul de declanșare. Eliberați butonul de declanșare și butonul de blocare pentru a opri.

#### AVERTIZARE

Înainte de a conecta instrumentul, verificați întotdeauna dacă declanșatorul comutatorului acționează corect și revine în poziția „OFF” când este eliberat. Nu apăsați puternic butonul de declanșare fără a trage butonul de blocare, deoarece acest lucru poate provoca ruperea comutatorului. Utilizarea unui instrument cu un comutator care nu acționează corect poate duce la pierderea controlului și la vătămări corporale grave.

#### Motor monofazat

Motorul electric instalat este complet cablat, gata de funcționare. Conexiunea clientului la sistemul de alimentare cu energie electrică și orice cabluri prelungitoare care pot fi utilizate trebuie să fie conforme cu reglementările locale. Verificați periodic cablurile de conectare electrică pentru a nu se deteriora. Asigurați-vă că cablul este deconectat de la rețea atunci când verificați. Tensiunea de rețea trebuie să coincidă cu tensiunea specificată pe placa de identificare a motorului. Conexiunea la rețea trebuie protejată cu o siguranță adecvată cu acțiune lentă și trebuie utilizată doar o priză cu contactul la sol instalat corespunzător.

#### FUNCȚIONAREA UNITĂȚII

##### AVERTIZARE

Pentru propria siguranță, mențineți comutatorul mașinii în poziția oprit în timp ce efectuați oricare dintre procedurile de reglare de mai jos. Aparatul ar trebui să fie pornit, numai dacă un anumit pas al procedurii afirmă acest lucru și numai pentru acel pas special.

#### Reglarea brațului dopului

Poziția limită inferioară a lamei poate fi ușor reglată cu brațul de oprire (Fig. 10.1). Pentru a-l regla, deplasați brațul de oprire în direcția săgeții așa cum se arată în figură. Reglați șurubul (Fig. 10.2) astfel încât lama să se oprească în poziția dorită atunci când coborâți complet mânerul.

#### Reglarea unghiului mitrei

##### AVERTIZARE

Când reglați unghiul unghiului, asigurați-vă că ridicați complet mânerul. După schimbarea unghiului de unghi, fixați întotdeauna masa rotativă strângând ferm mânerul.

1. Slăbiți mânerul (Fig. 11.4) rotindu-l în sens invers acelor de ceasornic.

2. Întoarceți masa rotitoare în timp ce apăsați în jos maneta de blocare (Fig. 11.3).
3. Când ați deplasat mânerul în poziția în care indicatorul (Fig. 11.2) indică unghiul dorit pe scara unghiului (Fig. 11.1), strângeți sigur mânerul în sensul acelor de ceasornic.

#### Reglarea unghiului conic

##### AVERTIZARE

Când reglați unghiul conic, asigurați-vă că ridicați complet mânerul.

1. Slăbiți maneta (Fig. 12.1) din spatele sculei în sens invers acelor de ceasornic.
2. Deblocați brațul împingând mânerul în direcția în care intenționați să înclinați lama ferăstrăului.
3. Înclinați lama ferăstrăului până când indicatorul (Fig. 13.3) indică unghiul dorit pe scara țesită (Fig. 13.4).
4. Strângeți maneta (Fig. 13.1) în sensul acelor de ceasornic ferm pentru a fixa brațul (Fig. 13.2).

#### Blocare diopozitivă

Pentru a bloca stâlpuț glisant, rotiți șurubul de blocare (Fig. 14.1) în sensul acelor de ceasornic.

#### Reglarea gardului de ghidare

##### AVERTIZARE

Înainte de a utiliza scula, asigurați-vă că gardul glisant este fixat ferm și că nici o parte a sculei nu intră în contact cu gardul glisant atunci când coborâți și ridicați complet mânerul în orice poziție și în timp ce deplasați căruciorul prin întreaga sa gamă de deplasare.

1. Când efectuați tăieturi țesite, glisați gardul glisant (Fig. 15.1) în lateral și fixați-l cu șurubul de fixare (Fig. 15.2). Acest instrument este echipat cu gard glisant care ar trebui să fie poziționat în mod obișnuit, așa cum se arată în figură:
  - Pentru tăieturile țesite din stânga, asigurați-vă că ați fixat gardul glisant stâng (Fig. 16.1) în poziția corectă dacă capul sculei îl atinge.
  - Pentru tăieturi țesite corecte, asigurați-vă că ați fixat gardul culisant corect (Fig. 16.2) în poziția corectă dacă capul sculei îl atinge.
2. Când operațiunile de tăiere țesită sunt terminate, readuceți gardul glisant în poziția inițială și fixați-l strângând ferm șurubul de prindere.

#### Operare cu laser

Înainte de a utiliza laserul în timpul tăierii, două baterii din accesorii trebuie așezate în cutia bateriilor (Fig. 17.2) în partea dreaptă a brațului. Porniți comutatorul laser (Fig. 17.1) și verificați dacă linia laser (Fig. 17.3) se află în centrul bazei.

#### Apăsați tăiere

Pentru a tăia bucăți mici de lucru:

1. Împingeți trăsura spre gardul de ghidare complet și strângeți șurubul de blocare în sensul acelor de ceasornic pentru a fixa trăsura.

##### AVERTIZARE

Strângerea insuficientă a butonului poate provoca o posibilă retragere care poate duce la vătămări corporale grave.

2. Fixați corect piesa de lucru cu tipul adecvat de menhină.
3. Porniți unealta fără ca lama să facă niciun contact și așteptați până când lama atinge viteza maximă înainte de a coborî.
4. Coborâți ușor mânerul în poziția complet coborâtă pentru a tăia piesa de prelucrat.
5. Când tăierea este finalizată, opriți scula și așteptați până când lama se oprește complet înainte de a readuce lama în poziția complet ridicată.

### Slide tăiat

Pentru a tăia piese largi de lucru:

1. Slăbiți șurubul de blocare în sens invers acelor de ceasornic, astfel încât căruciorul să poată aluneca liber.
2. Fixați piesa de lucru cu tipul de menhină adecvat.
3. Trageți complet trăsura spre voi.
4. Porniți unealta fără ca lama să facă niciun contact și așteptați până când lama atinge viteza maximă înainte de a coborî.
5. Apăsăți mânerul în jos și împingeți căruciorul către gardul de ghidare și prin piesa de lucru.

### AVERTIZARE

Nu porniți tăierea cu trăsura nu trasă complet către dvs., deoarece pot apărea reculeri neașteptate care pot duce la vătămări corporale grave. Nu încercați niciodată să efectuați o tăietură glisantă trăgând trăsura spre dvs., deoarece acest lucru poate provoca recul neașteptat care poate duce la vătămări corporale grave.

6. Când tăierea este finalizată, opriți scula și așteptați până când lama se oprește complet înainte de a readuce lama în poziția complet ridicată.

### AVERTIZARE

Nu efectuați niciodată tăierea cu glisorul cu mânerul blocat în poziția coborâtă și nu slăbiți niciodată șurubul de blocare care fixează căruciorul în timp ce lama se rotește. Un cărucior slăbit în timpul tăierii poate cauza retrageri neașteptate, ceea ce poate duce la vătămări corporale grave.

### Mitre tăiat

Consultați secțiunea „Reglarea unghiului mitrei” pentru instrucțiuni despre modul de configurare a tăieturii.

### Tăietură conică

Consultați secțiunea „Reglarea unghiului conic” pentru instrucțiuni despre configurarea tăieturii.

### AVERTIZARE

După ce ați setat lama pentru o tăietură teșită, înainte de a folosi instrumentul, asigurați-vă că trăsura și lama vor avea o deplasare liberă pe întreaga gamă de tăiere intenționată. Întreruperea deplasării căruciorului sau a lamei în timpul operațiunii de tăiere poate duce la retragere și la vătămări corporale grave.

1. Fixați piesa de lucru cu o menhină.
2. Asigurați-vă că trăsura este trasă înapoi către operator.
3. Porniți instrumentul fără ca lama să facă nici-

un contact și așteptați până când lama atinge viteza maximă.

4. Apăsăți mânerul în jos și împingeți căruciorul către gardul de ghidare și prin piesa de prelucrat.

### NOTĂ

Când apăsați mânerul în jos, aplicați presiune în paralel cu lama. Dacă se aplică o forță perpendiculară pe baza de rotire sau dacă se schimbă direcția presiunii în timpul tăierii, precizia tăierii va fi afectată negativ.

5. Când tăierea este finalizată, opriți scula și așteptați până când lama se oprește complet înainte de a readuce lama în poziția complet ridicată.

### AVERTIZARE

În timp ce faceți o tăietură teșită, țineți mâinile departe de calea lamei. Unghiul lamei poate confunda operatorul cu privire la traseul propriu-zis al lamei în timp ce tăierea și contactul cu lama vor avea ca rezultat vătămări corporale grave.

### AVERTIZARE

Lama nu trebuie ridicată până când nu se oprește complet. În timpul unei tăieturi teșite, piesa tăiată se poate opri cu lama. Dacă lama este ridicată în timp ce se rotește, piesa tăiată poate fi evacuată de lamă, ceea ce poate duce la vătămări corporale grave.

### AVERTIZARE

Asigurați-vă întotdeauna că gardul de ghidare nu interferează cu nicio parte a căruciorului atunci când efectuați tăieturi teșite.

### Tăiere combinată

Tăierea combinată este procesul în care se realizează un unghi de teșire în același timp în care se taie un unghi de mitră pe o piesă de prelucrat.

## ÎNTREȚINERE ȘI CURĂȚARE

La fiecare șase luni până la un an (în funcție de frecvența și intensitatea utilizării), duceți mașina la cea mai apropiată stație de service pentru următoarele operațiuni de service:

- Ungere.
- Inspectarea și înlocuirea periei.
- Inspectie și curățare mecanică (angrenaje, rulmenți etc.).
- Inspectie electrică (întrerupător, cablu etc.).
- Testare pentru a asigura funcționarea corectă mecanică și electrică.

### AVERTIZARE

Pentru propria siguranță, opriți comutatorul și scoateți stecherul de la priza sursei de alimentare înainte de orice operație de întreținere a mașinii. Păstrați aparatul curat. Pentru a evita deteriorarea motorului, suflați sau aspirați frecvent acest motor pentru a împiedica praful de fierăstrău să interfereze cu ventilația normală a motorului.

### PERII CARBON MOTOR

Scoateți și verificați periodic periile de carbon ale motorului. Păstrați-le curate și înlocuiți-le dacă există uzură excesivă.

Pentru a înlocui periile de carbon:

1. Folosiți o șurubelniță pentru a scoate capacul suportului periei.

2. Scoateți periile de carbon uzate.
3. Introduceți noua perie de carbon.

### NOTĂ

Periile de carbon trebuie înlocuite în perechi identice, indiferent de uzura individuală.

4. Fixați capacul suportului periei. După înlocuirea periilor, conectați instrumentul și rupeți periile cu unealta fără sarcină timp de aproximativ 10 minute. Apoi verificați instrumentul pentru funcționarea corectă și frâna electrică pentru oprirea rotației lamei la eliberarea declanșatorului comutatorului, conform standardelor din fabrică.

### LAMA TIERE AVERTIZARE

Utilizați întotdeauna mănuși de protecție atunci când manipulați lama de tăiere și asigurați-vă că ați deconectat mașina de la prizele de curent. Utilizați cheia cu soclu pentru a instala sau scoate lama. Neutilizarea cheii poate duce la strângerea excesivă sau strângerea insuficientă a șurubului hexagonal și vătămarea corporală gravă.

### Îndepărtarea lamei

1. Deconectați ferăstrăul de la priză.
2. Lăsați capul de tăiere să se ridice în poziție verticală. Slăbiți șurubul plăcii de acoperire (Fig. 9.2) cu o șrubelniță.
3. Ridicați protecția lamei inferioare (Fig. 18.1) în poziția superioară.
4. Rotiți placa de acoperire (Fig. 18.3) spre partea din spate a sculei pentru a expune șurubul lamei (Fig. 18.4).
5. Așezați cheia pe șurubul lamei.
6. Localizați butonul de blocare pe mânerul de funcționare.
7. Apăsăți butonul de blocare ținându-l ferm în timp ce rotiți cheia cu lama în sensul acelor de ceasornic. Încuietarea se va cupla după rotirea cheii. Continuați să țineți butonul de blocare pentru a menține blocat în timp ce rotiți cheia în sensul acelor de ceasornic pentru a slăbi șurubul lamei.
8. Scoateți șurubul (Fig. 19.1), șaiba (Fig. 19.2) și lama (Fig. 19.3). Nu scoateți gulerul interior al lamei. (Fig. 19.4).

### Instalarea lamei

1. Deconectați ferăstrăul de la priză.
2. Instalați o lamă de 12 inci (305mm) cu o gaură interioară de 1 inci (25,4mm), asigurându-vă că săgeata de rotație a lamei se potrivește cu săgeata de rotație în sensul acelor de ceasornic de pe garda superioară și dinții lamei sunt îndreptați în jos.
3. Așezați șaiba (Fig. 19.2) pe lamă și pe arbore. Filați șurubul (Fig. 19.1) în poziție în sens invers acelor de ceasornic.
4. Așezați cheia pe șurubul lamei.
5. Apăsăți butonul de blocare ținându-l ferm în timp ce rotiți lama în sens invers acelor de ceasornic. Când se blochează încuietarea, continuați să o apăsați în timp ce strângeți bine șurubul lamei.

6. Rotiți placa de acoperire (Fig. 18.3) înapoi în poziția sa originală până când slotul din placa de acoperire se cuplează cu șurubul plăcii de acoperire (Fig. 18.2). Ținând apărațoarea inferioară a lamei, strângeți șurubul cu o șrubelniță.

### NOTĂ

Apărătoarea inferioară a lamei trebuie ridicată în poziție verticală pentru a accesa șurubul plăcii capacului.

7. Coborâți protecția lamei (Fig. 18.1) și verificați funcționarea corectă a protecției.
8. Eliberați butonul de blocare astfel încât lama să se rotească liber.

### AVERTIZARE

Pentru a evita rănirea, nu folosiți niciodată ferăstrăul fără ca placa de acoperire să fie fixată în poziție. Păstrează șurubul lamei să nu cadă dacă se slăbește accidental și ajută la prevenirea degajării pânzei de ferăstrău. Asigurați-vă că gulerul este curat și aranjate corespunzător. Coborâți lama în masa inferioară și verificați dacă există vreun contact cu baza metalică sau cu masa de tăiere.

### CABLUL DE ALIMENTARE

Pentru a evita pericolul de șoc sau incendiu, în cazul în care cablul de alimentare este un vierme sau este tăiat sau este deteriorat în vreun fel, puneți-l înlocuit imediat. Cablurile de conectare electrică suferă deseori deteriorări ale izolației. Cauzele posibile sunt:

1. Puncte de perforare atunci când cablurile de conectare trec prin golurile ferestrelor sau ușilor.
2. Răsuciri rezultate din atașarea incorectă sau așezarea cablului de conectare.
3. Tăieturi rezultate din trecerea peste cablul de conectare.
4. Deteriorarea izolației rezultată din extragerea cu forță a prizei de perete.
5. Crăpături prin îmbătrânirea izolației.
6. Astfel de cabluri de conectare electrică defecte nu trebuie utilizate, deoarece deteriorarea izolației le face extrem de periculoase.

### LUBRIFICARE

Ungeți periodic părțile în mișcare.

### CURĂȚAREA

Utilizați o perie mică moale pentru a curăța exteriorul unității. Nu folosiți detergenți puternici. Produsele de curățat pentru uz casnic care conțin uleiuri aromatice precum pinul și lămâia și solvenți precum kerosenul pot deteriora carcasa sau mânerul din plastic. Ștergeți umezeala cu o cârpă moale. Dacă este necesar, îndepărtați praful, murdăria și reziduurile de prelucrare cu un aspirator adecvat.

### DEPOZITARE AVERTIZARE

Opriti comutatorul și scoateți ștecherul din priză pentru a stoca aparatul. Depozitați unitatea numai în zone uscate și bine ventilate. În cazul în care unitatea va fi stocată pentru o perio-

adă mai lungă de timp, utilizați următoarea procedură de stocare:

1. Curățați temeinic unitatea și verificați dacă există părți libere sau deteriorate. Reparați sau înlocuiți piesele deteriorate și strângeți șuruburile, piulițele sau șuruburile.
2. Ungeți și aplicați grăsime, acolo unde este necesar.
3. Depozitați unitatea în ambalajul original.

## PROTECTIA MEDIULUI

Reciclați materiile prime în loc să le aruncați ca deșeurii. Mașina, accesoriile și ambalajele trebuie sortate pentru reciclare ecologică. Componentele din plastic sunt etichetate pentru reciclare clasificată.

Acest produs nu trebuie eliminat împreună cu deșeurile menajere, în conformitate cu legislația relativă referitoare la deșeurile de echipamente electrice și electronice. Acest produs trebuie eliminat la un punct de colectare desemnat. Acest lucru se poate întâmpla, de exemplu, prin predarea la un punct de colectare autorizat pentru reciclarea deșeurilor de echipamente electrice și electronice. Manipularea necorespunzătoare a deșeurilor de echipamente poate avea consecințe negative asupra mediului și sănătății umane din cauza substanțelor potențial periculoase care sunt adesea conținute în echipamentele electrice și electronice. Eliminând în mod corespunzător acest produs, contribuți și la utilizarea eficientă a resurselor naturale.

Puteți obține informații despre punctele de colectare a echipamentelor de deșeurii de la administrația dvs. municipală, autoritatea publică de eliminare a deșeurilor, un organism autorizat pentru eliminarea deșeurilor de echipamente electrice și electronice sau de la firma dvs. de eliminare a deșeurilor.

## GARANȚIE

Acest produs este garantat în conformitate cu reglementările legale / specifice țării, începând cu data cumpărării de către primul utilizator. Daunele atribuite uzurii normale, suprasolicitării sau manipulării necorespunzătoare vor fi excluse din garanție. În cazul unei reclamații, vă rugăm să trimiteți mașina, complet asamblată, la dealerul dvs. sau la centrul de service oficial.

## MAGYAR

### ÁLTALÁNOS BIZTONSÁGI FIGYELMEZTETÉSEK

termék használata előtt olvassa el és értse meg ezt a használati útmutatót. Segíthet megelőzni a baleseteket, ha ismeri terméke kezelőszerveit, és betartja a biztonságos üzemeltetési eljárásokat és a biztonsági jelzéseket. Mindig használja a józan eszét, hogy elkerüljön minden olyan helyzetet, amely meghaladja képességeit. Ne használja, ha fáradt vagy kábítószert, alkohol vagy bármilyen más gyógyszer hatása alatt áll. Működés közben tartsa távol a szemléldőket és az állatokat, amelyek megsérülhetnek, valamint azokat a tárgyakat, amelyek megsérülhetnek. Soha ne engedje, hogy gyermekek vagy olyan személyek használják a terméket, akik nem ismerik ezeket az utasításokat. A helyi törvények korlátozhatják az üzemeltető alsó korhatárát. Ne feledje, hogy az üzemeltető vagy a felhasználó felelős a más embereket, állatokat vagy azok tulajdonát érintő balesetekért vagy váratlan eseményekért. Ne tegye ki a terméket túlzott nedvességnek, pornak, szennyeződésnek vagy korrozív gőznek. Ne szereljen a gépre olyan berendezéseket vagy tartozékokat, amelyeket a gyártó nem tervezett vagy nem hagyott jóvá. Soha ne kísérelje meg módosítani a terméket. A nem engedélyezett módosítások vagy tartozékok súlyos személyi sérülést vagy a kezelő vagy mások halálát okozhatják. A jelen kézikönyvben nem szereplő szétzereléssel és szervizeléssel kapcsolatban forduljon hivatalos forgalmazójához. Ha munka közben valami eltörik vagy baleset történik, azonnal kapcsolja ki a gépet és vigye el, hogy elkerülje a további károsodást. Ha idegen terült a gépbe, azonnal állítsa le, ellenőrizze, hogy nem sérült-e, és javítsa meg, mielőtt újraindítaná.

### VÉDŐ FELSZERELÉS

Ügyeljen arra, hogy megfelelő és minősített védőfelszerelést használjon az egység működtetése során. Mindig viseljen mozgást nem akadályozó ruházatot, védőkesztyűt, védőszemüveget, félárlarcos légzőkészüléket, fülvédőt és csúszásmentes talpú, nyírásálló biztonsági csizmát. Soha ne viseljen sálát, nyakláncot vagy bármilyen lógó vagy csapkodó kiegészítőt és ruhát, amely beakadhat a gépbe. Kösse fel a haját, ha hosszú.

### TŰZ- ÉS ÉGÉSI VESZÉLYEK

Az elektromos berendezések meghibásodása szikrákat okozhat, amelyek meggyújtják a gyúlékony anyagokat.

Ügyeljen arra, hogy a munkaterület tiszta és rendezett legyen, és ne használja a gépet gyúlékony anyagok közelében. Ha tűz keletkezik, használjon megfelelő tűzoltó készüléket.

Munka után ne érintse meg a forgó alkatrészeket. Egyes felületek használat közben nagyon nagyon felforrósodhatnak, és hagyni kell őket lehűlni, mielőtt megérintené őket.

### KATEGÓRIA BIZTONSÁGI FIGYELMEZTETÉSEK

#### BIZTONSÁGOS MŰKÖDÉS

gép összes működtető karjának könnyen kell mo-

zognia egyik helyzetből a másikba, és nem kell erőltetni. Az elektromos kábeleknél és különösen a fő csatlakozókábelnek kifogástalan állapotban kell lenniük, hogy elkerüljük a szikraképződést vagy az áramütés veszélyét. A fogantyúknak és a védőszközöknek tisztának és száraznak kell lenniük, valamint biztonságosan kell rögzíteni a géphez. Működtesse a gépet két kézzel. Ügyeljen arra, hogy minden munkához mindig a megfelelő szerszámot használja, hogy elkerülje a gép meghibásodását vagy sérülését, és elkerülje a gép túlterhelését. Az elektromos hálózat névleges feszültségének és frekvenciájának meg kell felelnie a gép specifikációinak. Győződjön meg arról, hogy a gép kapcsolója ki van kapcsolva, amikor bedugja, hogy elkerülje a véletlen indításból eredő kockázatokat. Használat előtt távolítsa el minden kulcsot és csavarkulcsot a gépből.

Győződjön meg arról, hogy beállította a gépet, és húzta ki a konnektorból:

- ▶ Tartozékok és szerszámok felszerelésekor vagy eltávolításakor.
- ▶ Amikor felügyelet nélkül hagyja a gépet.
- ▶ Tisztítás vagy karbantartás közben.
- ▶ A gép áthelyezése, szállítása vagy tárolása során.

A gép meghibásodása vagy elakadása esetén azonnal kapcsolja ki a gépet, és húzza ki az áramforrásból. A gépet nem szabad újra beindítani, ha az elakadást nem szüntették meg, vagy ha a meghibásodást nem javítják, szükség esetén egy hivatalos szervizközpontban. A gép elakadhat, ha:

- ▶ A gép túlterhelt.
- ▶ A megmunkálandó munkadarab beszorult.

## ELEKTROMOS VESZÉLYEK

Győződjön meg arról, hogy a gép elektromos kábeljei és a hálózati csatlakozó, amelyhez csatlakoztatva van, jó állapotban vannak és nem kopottak. Soha ne használjon sérült gépet, vagy olyan gépet, amelynek elektromos kábeljei és csatlakozói sérültek vagy elhasználódtak. Ne tegye ki a gépet és az elektromos kábeleket nedves körülményeknek, és soha ne érintse meg, ha nedves. Használjon földelt csatlakozóaljzatot.

Az áramütés veszélyének elkerülése érdekében ne érintkezzen földelt felületekkel vagy elektromos kábelekkel. Ne a kábellel húzza ki a dugót a konnektorból.

A tápkábel sérülésének elkerülése érdekében mindig vezesse el a tápkábelt a gép hátuljától, és óvja a hőtől, olajtól és éles tárgyaktól. Ha a gépet kültéren kívánja használni, csak kültéri használatra szánt hosszabbítót használjon. Bármely hosszabbító kábel keresztmetszetének legalább 1,5 mm<sup>2</sup>-nek kell lennie, és a hálózati csatlakozást megfelelő biztosítókkal kell védeni.

## A FORGÓ ALKATRÉSZEK VESZÉLYEI

A forgó alkatrészek súlyos sérüléseket okozhatnak. Kerülje el, hogy a forgó alkatrészekkel érintkezzen, amikor azok még forognak, és ügyeljen arra, hogy minden, ami beszorulhat a működő gépbe, mint például a laza haj és a ruházat, távol legyen. A gép használata közben tartsa távol kezét a megmunkálási területtől.

munkadarabok és szerszámok kiütést okozhatnak, és sérülésekhez és anyagi károkhoz vezethetnek. Ügyeljen arra, hogy a gép és a szerszámok mindig jó állapotban legyenek. Használjon bilincseket vagy satut a munkadarab szilárdan a helyén tartásához. Ne dolgozzon olyan tárgyakon, amelyek túl kicsik ahhoz, hogy biztonságosan rögzítsék.

Ellenőrizze a mozgó és forgó alkatrészek helyes beállítását, vagy más olyan hibákat, amelyek veszélyforrást jelenthetnek. A sérült védőburkolatot vagy más alkatrészt a gép üzembe helyezése előtt ki kell cserélni egy hivatalos szervizközpontban.

Ne érintse meg a forgó részeket, mielőtt azok teljesen leálltak.

## ZAJ ÉS REZGÉSVESZÉLY

Az ebben az útmutatóban feltüntetett zajszintek a gép használatának maximális szintjei. A nem megfelelő karbantartás jelentős hatással van a rezgés- és zajkibocsátásra. Következésképpen megelőző lépéseket kell tenni a magas zajszint és a vibrációból eredő terhelés miatti esetleges károk kiküszöbölésére. Gondosan karbantartsa a gépet, viseljen fülvédőt, rezgéscsillapító kesztyűt és tartson szüneteket a munkavégzés során.

## A MUNKATERÜLET VESZÉLYEI

Alaposan ellenőrizze az egész munkaterületet, és használjon gereblyét vagy kerti kefét a törmelék kézi fellazításához, és távolítsa el mindent, ami veszélyes forrás lehet az Ön számára vagy kárt okozhat a gépben. Tartsa tisztán és rendezten a munkaterületet. Ne működtesse a gépet nedves környezetben, vagy amikor maga a gép nedves. Tartsa távol a gépet gyúlékony anyagoktól. Ellenőrizze, hogy nincsenek-e kívülálló, állatok vagy tárgyak, amelyek megsérülhetnek a gép működési tartományában.

Csak jól szellőző helyen működtesse. A faporgács és a fűrészporszór belélegezve vagy szembe kerülve egészségkárosító hatású lehet. Mindig viseljen megfelelő felálcáros légzőkészüléket és védőszemüveget, ha ilyen anyagokkal dolgozik, és használjon porleszívó berendezést.

Csak nappali fényben vagy megfelelő mesterséges megvilágítás mellett, jó látási viszonyok között dolgozzon. Törekedjen arra, hogy ne okozzon zajt, csak a nap ésszerű időszakájában használja a gépet.

Vegyen fel szilárd és kiegyensúlyozott pozíciót. Lehetőség szerint kerülje a nedves, csúszós talajon végzett munkát, vagy minden esetben egyenetlen vagy meredek talajon, amely nem garantálja a stabilitást a kezelő számára.

A használaton kívüli szerszámokat száraz és biztonságos helyen kell tárolni, távol a kezelőgéptől és gyermekektől elzárva.

## FENNTARTÓ VESZÉLYEK

gépet modern technológiával és az elismert biztonsági szabályok betartásával építették. Még akkor is, ha minden biztonsági intézkedés megvan, jelen lehet néhány fennmaradó, még nem nyilvánvaló veszély. A kezelőnek józan eszét kell követnie,

és meg kell tennie a szükséges óvintézkedéseket a fennmaradó veszélyek miatti kockázatok elkerülése érdekében.

## TERMÉKLEÍRÁS

### RENDELTESSZERŰ HASZNÁLAT

Ezt a gépet munkadarabok megmunkálására tervezték és gyártják pl. faanyag darabok vágásával. Nem erős kereskedelmi használatra tervezték.

A fent említettektől eltérő bármely más használat veszélyes lehet, embereket és/vagy tárgyakat és magát a gépet károsíthatja.

### HELYTELEN HASZNÁLAT

A gépet tilos veszélyes anyagok megmunkálására használni, pl. gyúlékony vagy robbanásveszélyes termékek felhalmozódása és bármilyen más tárgy, amely veszélyes lehet magára a gépre, valamint a kezelőre, a közelben lévőkre, az állatokra vagy a tulajdonra.

helytelen használat egyéb példái közé tartozhat, de nem kizárólagosan, a gép üzemeltetése:

- ▶ A gyártó által szállított eredeti tartozékok nélkül.
- ▶ Eredeti tartozékokkal, de a használati utasításnak nem megfelelő módon.
- ▶ Eredeti alkatrészek nélkül.
- ▶ Engedély nélküli módosításokkal.

### JEGYZET

A hatályos termékfelelősségi törvények értelmében a készülék gyártója nem vállal felelősséget a termékben bekövetkezett vagy a termék által okozott károkért, amelyek az alábbiak miatt következnek be:

- ▶ A szakszerűtlen kezelés nem tartotta be a használati utasítást.
- ▶ Harmadik felek, nem pedig felhatalmazott szerviztechnikusok által végzett javítások.
- ▶ Nem eredeti alkatrészek beszerelése.
- ▶ Nem rendeltetésszerű használat.
- ▶ Az elektromos rendszer meghibásodása a gép áramellátása miatt, amely nem felel meg az elektromos és VDE előírásoknak.

MŰSZAKI ADATOK		
Cikkszám	46 614	
Modell	SCMS-DB 305 PLUS	
Névleges feszültség	V	220-240
Névleges frekvencia	Hz	50
Erő	W	2.000
Nincs terhelési sebesség	rpm	4.500
A penge külső átmérője	mm	305
Penge furat mérete	mm	30
Vágás szélessége	mm	2,3
Maximális vágási teljesítmény Gérvágó 0° / Ferde 0° (Sz x Ma)	mm	340 x 102

MŰSZAKI ADATOK		
Cikkszám	46 614	
Modell	SCMS-DB 305 PLUS	
Maximális vágási teljesítmény Gér 0° / Ferde (H) 45° (Sz x Ma)	mm	340 x 48
Maximális vágási teljesítmény Gér 0° / Ferde (R) 45° (Sz x Ma)	mm	340 x 40
Maximális vágási teljesítmény Gér (bal/job) 45° / ferde 0° (Sz x Ma)	mm	235 x 102
Maximális vágási kapacitás Gér (bal/job) 45° / ferde (L) 45° (Sz x Ma)	mm	235 x 48
Maximális vágási teljesítmény Gér (bal/job) 45° / ferde (R) 45° (Sz x M)	mm	235 x 40
Hangnyomásszint (LpA)	dB(A)	92
Hangteljesítmény szint (LwA)	dB(A)	105
Bizonytalanság (K)	dB	3
Nettó tömeg	kg	19,5

## AZONOSÍTÁS (1., 2. ÁBRA)

1. Kapcsoló kioldó
2. Alsó fűrészlapvédő
3. Alaplap
4. Oldalsó fogantyú
5. Hosszabbító szárny
6. Leállító lemez
7. Vezető kerítés
8. Működő bilincs
9. Tolózár
10. Motor
11. Szénkefe kupak
12. Műveleti fogantyú
13. Szíjburkolat
14. Tengelyzár
15. Ferde szint
16. Gérvágó mérleg
17. Forgassa el a rögzítőkart
18. Forgassa az asztalt
19. Lézer
20. Útókar
21. Penge

## MŰVELET

### AZ EGYSÉG ELŐKÉSZÍTÉSE

A kicsomagolást és az összeszerelést sík és stabil felületen kell végezni, elegendő hely legyen a gép és a csomagolás mozgatásához, mindig megfelelő felszerelést használva.

### FIGYELEM

Bármilyen beállítás előtt mindig húzza ki a gépet az



áramforrásból.

A gép összeszereléséhez:

### Engedje el a vágófejet

1. Enyhén nyomja le a kapcsoló fogantyúját.
2. Húzza ki az ütközőreteszt (3.1. ábra).
3. Hagyja, hogy a vágófej felemelkedjen a felső helyzetbe.

### FIGYELEM

A sérülések és a fűrészfűrészes károsodásának elkerülése érdekében szállítsa vagy tárolja a gérfűrészt úgy, hogy a vágófej az ütközőretessel lefelé van rögzítve. Soha ne használja az ütközőreteszt a vágófej lefelé tartására vágási műveletekhez.

### Oldalsó fogantyú

Helyezze be a gérvágó fogantyút (4.1. ábra) a gérvágó asztal nyílásába (4.2. ábra).

### Porzsák

1. Nyomja össze a fém gallér szárnyait (5.2. ábra) a porzsákon (5.1. ábra).
2. Helyezze a porzsák nyakának nyílását a kipufogónyílás köré (5.3. ábra), és engedje el a fém gallér szárnyait.

### FIGYELEM

Fémek megmunkálásakor ne használja a porzsákat. A forró forgácsok vagy szikrák meggyújthatják a fűrészport vagy magát a zsákot. Tisztítsa meg és távolítsa el gyakran a fűrészport a fűrészfűrésztől.

### Hosszabbító szárnyak

1. Lazítsa meg a gombot (6.1. ábra), majd csúsztassa a hosszabbítóasztalt a kívánt pozícióba, és húzza meg a gombot.
2. Az ütközőlemezt ismételt vágás közben használatra tervezték. Egyszerre csak egy ütközőlapot használjon. Forgassa el az ütközőlapot (6.3. ábra) függőleges helyzetbe, és húzza meg újra a rögzítőcsavart (6.2. ábra).

### Működő bilincs

1. Helyezze a munkabilincset (7.1. ábra) az egyik rögzítőfuratba (7.2. ábra).
2. A bilincs magassága a bilincs hátulján található lazító gombbal (7.3. ábra) állítható.

### Alaplap a padhoz

Helyezze a fűrészt a kívánt helyre közvetlenül egy munkapadra, ahol van hely a munkadarab kezeléséhez és megfelelő alátámasztáshoz. A fűrészt talpán négy rögzítési furat található. Csavarozza fel a gérfűrészfűrészt alapját (8.1. ábra) a munkapadra (8.5. ábra) csavar (8.2. ábra), gumialátét (8.3. ábra), lapos alátét (8.4. ábra, 8.6. ábra), biztosító alátét (8.7. ábra) segítségével. 8.7), anyát (8.8. ábra) és ellenanyát (8.9. ábra) az ábra szerint.

### JEGYZET

A rögzítő hardver nem tartozéka ennek az eszköznek. A csavarokat, anyákat, alátéteket és csavarokat külön kell megvásárolni.

### Száró gomb

A kapcsoló kioldójának (9.1. ábra) véletlen meghúzásának megakadályozására egy alsó pengevédő

reteszelőgomb (9.2. ábra) található. A szerszám elindításához húzza a rögzítőgombot a fűrészlapvédőhöz, és nyomja meg a kapcsoló kioldóját. A leállításához engedje el a kapcsoló kioldóját és a rögzítőgombot.

### FIGYELEM

szerszám csatlakoztatása előtt mindig ellenőrizze, hogy a kioldókapcsoló megfelelően működik-e, és elengedéskor visszatér-e az „OFF” helyzetbe. Ne nyomja meg erősen a kapcsoló kioldóját a reteszelőgomb behúzásával, mert ez a kapcsoló tömke-mentelét okozhatja. A nem megfelelően működő kapcsolóval ellátott szerszám használata az irányítás elvesztéséhez és súlyos személyi sérülésekhez vezethet.

### Egyfázisú motor

A beépített villanymotor üzemkészen teljesen be van kötve. A fogyasztónak az áramellátó rendszerhez való csatlakozásának és az esetlegesen használt hosszabbító kábeleknél meg kell felelniük a helyi előírásoknak. Rendszeresen ellenőrizze az elektromos csatlakozókábeleket, hogy nem sérültek-e. Ellenőrzéskor győződjön meg arról, hogy a kábel ki van húzva a hálózatból. A hálózati feszültségnek meg kell egyeznie a motor adattábláján megadott feszültséggel. A hálózati csatlakozást megfelelő lassú működésű biztosítóval kell védeni, és csak megfelelően felszerelt földelési érintkezővel rendelkező aljzatot szabad használni.

### AZ EGYSÉG MŰKÖDTETÉSE

#### FIGYELEM

Saját biztonság érdekében tartsa a gép kapcsolóját kikapcsolt állásban az alábbi beállítási eljárások végrehajtása közben. A gépet csak akkor szabad bekapcsolni, ha az eljárás adott lépése ezt írja elő, és csak az adott lépésre.

#### Az ütközőkar beállítása

A penge alsó határhelyzete egyszerűen állítható az ütközőkarral (10.1. ábra). A beállításához mozgassa az ütközőkart a nyíl irányába az ábrán látható módon. Állítsa be a csavart (10.2. ábra) úgy, hogy a penge a fogantyú teljes leengedésekor megálljon a kívánt helyzetben.

#### Gérszög állítás

#### FIGYELEM

A gérszög beállításakor ügyeljen arra, hogy a fogantyút teljesen felemelje. A gérszög megváltoztatása után mindig rögzítse a forgóasztalt a markolat erős meghúzásával.

1. Lazítsa meg a fogantyút (11.4. ábra) az óramutató járásával ellentétes irányba forgatva.
2. Forgassa el a forgóasztalt, miközben lenyomja a rögzítőkart (11.3. ábra).
3. Ha a markolatot abba a pozícióba mozdította el, ahol a mutató (11.2. ábra) a kívánt szögbe mutat a gérmérséklet-skálán (11.1. ábra), szorosán húzza meg a markolatot az óramutató járásával megegyezően.

## Ferdeszög beállítás

### FIGYELEM

A ferdeszög beállításakor ügyeljen arra, hogy a fogantyút teljesen felemelje.

1. Lazítsa meg a kart (12.1. ábra) a szerszám hátulján az óramutató járásával ellentétes irányba.
2. Oldja ki a kart úgy, hogy a fogantyút abba az irányba tolja, amerre a fűrészlapot meg kívánja dönteni.
3. Döntse meg a fűrészlapot, amíg a mutató (13.3. ábra) a kívánt szögbe nem mutat a ferde skálán (13.4. ábra).
4. Húzza meg erősen a kart (13.1. ábra) az óramutató járásával megegyező irányba a kar rögzítéséhez (13.2. ábra).

### Tolózár

A csúszórúd rögzítéséhez forgassa el a rögzítőcsavart (14.1. ábra) az óramutató járásával megegyező irányba.

## Vezető kerítés beállítás

### FIGYELEM

A szerszám használata előtt győződjön meg arról, hogy a csúszósapka szilárdan rögzítve van, és a szerszám egyetlen része sem érintkezik a csúszósapkával, amikor a fogantyút bármilyen helyzetben teljesen leengedi és felemeli, és miközben a kocsit a teljes mozgási tartományban mozgatja.

1. Ferdevágások végzésekor csúsztassa oldalra a tolókeretet (15.1. ábra), és rögzítse a szorítócsavarral (15.2. ábra). Ez a szerszám tolókerettel van felszerelve, amelyet általában az ábrán látható módon kell elhelyezni:
  - ▶ A bal oldali ferde vágásoknál ügyeljen arra, hogy a bal oldali csúszósínt (16.1. ábra) a megfelelő helyzetbe állítsa, ha a szerszámfej hozzárér.
  - ▶ A jobb oldali ferde vágásoknál ügyeljen arra, hogy a jobb oldali csúszósínt (16.2. ábra) a megfelelő helyzetbe állítsa, ha a szerszámfej hozzárér.
2. Amikor a ferde vágási műveletek befejeződtek, állítsa vissza a csúszóhatárolót az eredeti helyzetébe, és rögzítse a szorítócsavar erős meghúzásával.

## Lézeres működés

Mielőtt lézert használna vágás közben, a tartozékban lévő két elemet helyezze a kar jobb oldalán található akkumulátordobozba (17.2 ábra). Kapcsolja be a lézerkapcsolót (17.1. ábra), és ellenőrizze, hogy a lézervonal (17.3. ábra) az alap közepén van-e.

## Nyomja meg a vágást

Kis munkadarabok vágásához:

1. Tolja teljesen a kocsit a vezetősin felé, és húzza meg a rögzítőcsavart az óramutató járásával megegyező irányba a koci rögzítéséhez.

### FIGYELEM

A gomb elégtelen meghúzása visszarúgást okozhat, ami súlyos személyi sérüléshez vezethet.

2. Rögzítse a munkadarabot megfelelően a megfelelő típusú satuval.
3. Kapcsolja be a szerszámot anélkül, hogy a penge érintkezne, és várja meg, amíg a fűrészlap eléri a teljes fordulatszámot, mielőtt leengedné.

4. Finoman engedje le a fogantyút teljesen leengedett helyzetbe a munkadarab vágásához.
5. Amikor a vágás befejeződött, kapcsolja ki a szerszámot, és várja meg, amíg a fűrészlap teljesen leáll, mielőtt visszaállítaná a pengét teljesen felemelt helyzetébe.

### Diavágás

Széles munkadarabok vágásához:

1. Lazítsa meg a rögzítőcsavart az óramutató járásával ellentétes irányba, hogy a koci szabadon csúszhasson.
2. Rögzítse a munkadarabot a megfelelő típusú satuval.
3. Húzza teljesen maga felé a kocsit.
4. Kapcsolja be a szerszámot anélkül, hogy a penge érintkezne, és várja meg, amíg a fűrészlap eléri a teljes fordulatszámot, mielőtt leengedné.
5. Nyomja le a fogantyút, és tolja a kocsit a vezetősapka felé és át a munkadarabon.

### FIGYELEM

Ne kezdje el a vágást úgy, hogy a koci nincs teljesen maga felé húzva, mert váratlan visszarúgás történhet, ami súlyos személyi sérülést okozhat. Soha ne próbáljon meg csúsztatást végrehajtani a koci maga felé húzásával, mert ez váratlan visszarúgást okozhat, ami súlyos személyi sérülést okozhat.

6. Amikor a vágás befejeződött, kapcsolja ki a szerszámot, és várja meg, amíg a fűrészlap teljesen leáll, mielőtt visszaállítaná a pengét teljesen felemelt helyzetébe.

### FIGYELEM

Soha ne végezze el a csúszó vágást leengedett helyzetben reteszelt fogantyúval, és soha ne lazítsa meg a rögzítőcsavart, amely a kocsit rögzíti, miközben a penge forog. A meglazult koci vágás közben váratlan visszarúgást okozhat, ami súlyos személyi sérüléshez vezethet.

## Gérvágó vágás

A vágás beállítására vonatkozó utasításokat a „Gérvágó beállítás” részben találja.

## Ferde vágás

vágás beállítására vonatkozó utasításokat a „Félszög beállítás” című részben találja.

### FIGYELEM

Miután beállította a pengét ferde vágásra, a szerszám használata előtt győződjön meg arról, hogy a koci és a fűrészlap szabadon mozog a tervezett vágás teljes tartományában. A koci vagy a fűrészlap mozgásának megszakítása vágás közben visszarúgáshoz és súlyos személyi sérüléshez vezethet.

1. Rögzítse a munkadarabot satuval.
2. Győződjön meg arról, hogy a koci teljesen hátra van húzva a kezelő felé.
3. Kapcsolja be a szerszámot anélkül, hogy a penge érintkezne, és várja meg, amíg a fűrészlap eléri a teljes sebességet.
4. Nyomja le a fogantyút, és tolja a kocsit a vezetősapka felé és át a munkadarabon.

## ÉRTESÍTÉS

A fogantyú lenyomásakor a pengével párhuzamosan gyakoroljon nyomást. Ha a forgásalapra merőlegesen erőt fejtenek ki, vagy ha a nyomás iránya vágás közben megváltozik, az negatívan befolyásolja a vágás pontos-

ságát.

- Amikor a vágás befejeződött, kapcsolja ki a szerzőszámot, és várja meg, amíg a fűrészlap teljesen leáll, mielőtt visszaállítaná a pengét teljesen felemelt helyzetébe.

#### FIGYELEM

Ferde vágás közben tartsa távol a kezét a penge útjából. A fűrészlap dőlésszöge megzavarhatja a kezelőt a vágás közbeni tényleges pengeút tekintetében, és a pengével való érintkezés súlyos személyi sérülést okozhat.

#### FIGYELEM

A pengét addig nem szabad felemelni, amíg teljesen le nem áll. A ferde vágás során a levágott darab a pengéhez ütközhet. Ha a pengét forgás közben felemeli, a penge kilógheti a levágott darabot, ami súlyos személyi sérülést okozhat.

#### FIGYELEM

Mindig ügyeljen arra, hogy a vezetősapka ne akadályozza a kocsí egyik részét sem, amikor ferde vágást végez.

#### Kombinált vágás

A kombinált vágás az a folyamat, amelyben egy ferde szöveget készítenek egyidejűleg, amikor a munkadarabon gérszöveget vágnak.

### KARBANTARTÁS ÉS TISZTÍTÁS

Hathavonta egyévente (a használat gyakoriságától és intenzitásától függően) vigye el gépét a legközelebbi szervizközpontba a következő szervizelési műveletek elvégzésére:

- ▶ Kenés.
- ▶ Kefe ellenőrzés és csere.
- ▶ Mechanikai ellenőrzés és tisztítás (fogaskerekek, csapágak, stb.).
- ▶ Elektromos ellenőrzés (kapcsoló, kábel stb.).
- ▶ Tesztelés a megfelelő mechanikai és elektromos működés biztosítására.

#### FIGYELEM

Saját biztonsága érdekében kapcsolja ki a kapcsolót, és húzza ki a dugót az áramforrásból, mielőtt bármilyen karbantartási műveletet végezne a gépen. Tartsa tisztán készülékét. A motor károsodásának elkerülése érdekében gyakran fújja ki vagy porszívózza ki ezt a motort, hogy a fűrészpor ne zavarja a motor normál szellőzését.

#### MOTOR SZÉNKEFÉK

Rendszeresen távolítsa el és ellenőrizze a motor szénkeféit. Tartsa tisztán és cserélje ki, ha túlzott kopás tapasztalható.

A szénkefék cseréje:

- Csavarhúzóval távolítsa el a kefetartó kupakját.
- Vegye ki a kopott szénkeféket.
- Helyezze be az új szénkeféket.

#### JEGYZET

A szénkeféket azonos párokban kell cserélni, függetlenül az egyéni kopástól.

- Rögzítse a kefetartó sapkáját. A kefék cseréje után csatlakoztassa a szerzőszámot a konnektorhoz, és törje be a keféket úgy, hogy körülbelül 10 percig terhelés nélkül járassa a keféket. Ezután ellenőrizze a szerzőszám megfelelő működését és az elektromos féket, hogy leállítja-e a penge forgását a kapcsoló kioldójának elengedésekor, a gyári

szabványoknak megfelelően.

### VÁGÓPÉS FIGYELEM

Mindig viseljen védőkesztyűt a vágókés kezelésekor, és győződjön meg arról, hogy kihúzta a gépet a konnektorból. Használjon dugókulcsot a penge felszereléséhez vagy eltávolításához. A kulcs használatának elmulasztása a hatlapfejű csavar túl húzását vagy elégtelen meghúzását és súlyos személyi sérülést okozhat.

#### Penge eltávolítása

- Húzza ki a fűrészlapot a konnektorból.
- Hagyja, hogy a vágófej függőleges helyzetbe emelkedjen. Csavarhúzóval lazítsa meg a fedőlemez csavarját (9.2. ábra).
- Emelje fel az alsó késvédőt (18.1. ábra) a felső helyzetbe.
- Forgassa el a fedőlemezt (18.3. ábra) a szerzőszám hátulja felé, hogy szabadabbá tegye a pengecsavart (18.4. ábra).
- Helyezze a kulcsot a pengecsavarra.
- Keresse meg a rögzítő gombot a működtető fogantyún.
- Nyomja meg erősen a rögzítő gombot, miközben a pengékulcsot az óramutató járásával megegyező irányba forgatja. A zár a kulcs elfordítása után reteszelődik. Továbbra is tartsa nyomva a reteszelő gombot, hogy benyomva maradjon, miközben a csavarhúzóval az óramutató járásával megegyező irányba forgatva lazítsa meg a pengecsavart.
- Távolítsa el a csavart (19.1. ábra), az alátétet (19.2. ábra) és a pengét (19.3. ábra). Ne távolítsa el a penge belső gallérját. (19.4. ábra).

#### Penge beszerelése

- Húzza ki a fűrészlapot a konnektorból.
- Szereljen be egy 12 hüvelykes (305 mm-es) pengét egy 1 hüvelykes (25,4 mm) belső furattal, ügyelve arra, hogy a pengén lévő forgási nyíl megegyezzen a felső védőburkolaton lévő óramutató járásával megegyező forgási nyállal, és a penge fogai lefelé mutassanak.
- Helyezze az alátétet (19.2. ábra) a pengéhez és a tengelyre. Csavarja be a csavart (19.1. ábra) az óramutató járásával ellentétes irányban.
- Helyezze a kulcsot a pengecsavarra.
- Nyomja meg erősen a rögzítő gombot, miközben a pengét az óramutató járásával ellentétes irányba forgatja. Amikor a zár bepattan, továbbra is nyomja be, miközben szorosan meghúzza a pengecsavart.
- Forgassa vissza a fedőlapot (18.3. ábra) az eredeti helyzetébe, amíg a fedőlemezen lévő rés be nem illeszkedik a fedőlemez csavarjába (18.2. ábra). Miközben az alsó fűrészlapvédőt fogja, csavarhúzóval húzza meg a csavart.

#### JEGYZET

Az alsó késvédőt függőleges helyzetbe kell emelni, hogy hozzáférjen a fedőlemez csavarjához.

- Engedje le a fűrészlapvédőt (18.1. ábra), és ellenőrizze a védőburkolat megfelelő működését.
- Engedje el a rögzítő gombot, hogy a penge szabadon forogjon.

**FIGYELEM**

A sérülések elkerülése érdekében soha ne használja a fűrészt úgy, hogy a fedőlemez nincs rögzítve a helyén. Megakadályozza a fűrészlapcsavar kiesését, ha véletlenül meglazul, és segít megakadályozni, hogy a forgó fűrészlap leszálljon a fűrészről. Győződjön meg arról, hogy a nyakörvek tiszták és megfelelően vannak elhelyezve. Engedje le a pengét az alsó asztalba, és ellenőrizze, hogy nem érintkezik-e a fém alappal vagy a gérvágó asztallal.

**TÁPKÁBEL**

Az áramütés vagy tűzveszély elkerülése érdekében, ha a tápkábel férges vagy elvágódott, vagy bármilyen módon megsérült, azonnal cseréltesse ki. Az elektromos csatlakozókábelek gyakran szigetelési sérülést szenvednek. Lehetséges okok a következők:

1. Lyukasztási pontok, amikor a csatlakozókábelek ablak- vagy ajtórésein vannak átvezetve.
2. A csatlakozókábel helytelen rögzítéséből vagy fektetéséből adódó megtörések.
3. Vágások a csatlakozó kábelen való átfutásból.
4. Szigetelési sérülés a fali konnektorból való erőteljes kihúzásból.
5. Repedések a szigetelés elöregedése miatt.
6. Az ilyen hibás elektromos csatlakozókábeleket nem szabad használni, mivel a szigetelési sérülés rendkívül veszélyessé teszi őket.

**KENÉS**

Rendszeresen kenje meg a mozgó alkatrészek illesztéseit.

**TISZTÍTÁS**

Használjon kis puha keféet a készülék külsejének tisztításához. Ne használjon erős tisztítószereket. Az aromás olajokat, például fenyő- és citromolajat és oldószereket, például kerozint tartalmazó háztartási tisztítószerek károsíthatják a műanyag házat vagy a fogantyút. Puha ruhával törölje le a nedvességet. Szükség esetén megfelelő porszívóval távolítsa el a port, szennyeződést és a megmunkálási maradványokat.

**TÁROLÁS  
FIGYELEM**

A gép tárolásához kapcsolja ki a kapcsolót, és húzza ki a dugót az áramforrásból. A készüléket csak száraz és jól szellőző helyen tárolja.

Ha a készüléket hosszabb ideig tárolja, kövesse az alábbi tárolási eljárást:

1. Alaposan tisztítsa meg az egységet, és ellenőrizze, hogy nincsenek-e laza vagy sérült részek. Javítsa meg vagy cserélje ki a sérült alkatrészeket, és húzza meg a meglazult csavarokat, anyákat vagy csavarokat.
2. Kenje meg és kenje be zsírral, ahol szükséges.
3. Tárolja a készüléket az eredeti csomagolásában.

**KÖRNYEZETVÉDELEM**

Hasznosítsa újra a nyersanyagokat ahelyett, hogy hulladékként dobná el. A gépet, a tartozékokat és a csomagolást szét kell válogatni a környezetbarát

újrahasznosítás érdekében. A műanyag alkatrészek kategorizált újrahasznosítás céljából vannak felcímkézve.

Ezt a terméket nem szabad a háztartási hulladékkal együtt kidobni az elektromos és elektronikus berendezések hulladékaira vonatkozó jogszabályoknak megfelelően. Ezt a terméket a kijelölt gyűjtőhelyen kell leadni. Ez történhet például az elektromos és elektronikus berendezések hulladékainak újrahasznosítására kijelölt gyűjtőhelyen történő leadásával. A hulladékberendezések nem megfelelő kezelése negatív következményekkel járhat a környezetre és az emberi egészségre az elektromos és elektronikus berendezésekben gyakran előforduló potenciálisan veszélyes anyagok miatt. A termék megfelelő ártalmatlanításával Ön a természeti erőforrások hatékony felhasználásához is hozzájárul.

hulladékok gyűjtőhelyeiről tájékozódhat az önkormányzattól, a hulladékkezelésért felelős hatóságtól, az elektromos és elektronikus berendezések hulladékainak ártalmatlanításával megbízott szervezettől vagy a hulladékártalmatlanító cégtől.

**GARANCIA**

Erre a termékre a törvényi/országspecifikus előírásoknak megfelelő garanciát vállalunk, amely az első felhasználó általi vásárlás napjától érvényes. A normál kopásból, túlterhelésből vagy szakszerűtlen kezelésből eredő károk nem tartoznak a garancia hatálya alá. Reklamáció esetén kérjük, küldje el a gépet teljesen összeszerelve a kereskedőhöz vagy a hivatalos szervizközponthoz.

## LIETUVIŲ K

### BENDRIEJI SAUGOS ĮSPĖJIMAI

Prieš naudodami šį gaminį perskaitykite ir supraskite šį savininko vadovą. Galite padėti išvengti nelaimingų atsitikimų susipažinę su savo gaminio valdikiiais ir laikydamiesi saugaus naudojimo procedūrų bei saugos ženklų. Visada vadovaukitės sveiku protu, kad išvengtumėte visų situacijų, kurios viršija jūsų galimybes. Nenaudokite, kai esate pavargę arba apsvaigę nuo narkotikų, alkoholio ar kitų vaistų. Darbo metu pašalinus asmenis ir gyvūnus, kurie gali būti sužaloti, taip pat daiktus, kurie gali būti sugadinti, laikykite atokiau. Niekada neleiskite vaikams ar žmonėms, kurie nėra susipažinę su šiomis instrukcijomis, naudoti gaminį. Vietiniai įstatymai gali apriboti minimalų operatoriaus amžių. Turėkite omenyje, kad operatorius arba naudotojas yra atsakingas už nelaimingus atsitikimus ar netikėtus įvykius, įvykius kitiems žmonėms, gyvūnams ar jų turtui. Saugokite gaminį nuo per didelės drėgmės, dulkių, purvo ar korozinių garų. Ant mašinos nemontuokite įrangos ar priedų, kurių nenumatė arba nepatvirtino gamintojas. Niekada nebandykite modifikuoti gaminio. Neleistini pakeitimai ar priedai gali sukelti rimtų kūno sužalojimų arba operatoriaus ar kitų asmenų mirtį. Kreipkitės į savo įgaliotąjį platintoją dėl išmontavimo ir techninės priežiūros, kurių šiame vadove neaprašyta. Jei kas nors sulūžytų arba įvyktų nelaimingas atsitikimas dirbant, nedelsdami išjunkite mašiną ir nuneškite ją, kad išvengtumėte tolesnių pažeidimų. Jei į mašiną pateko svetimkūnis, nedelsdami ją sustabdykite, patikrinkite, ar nepažeista, ir prieš vėl paleisdami pataisykite.

### APSAUGINĖ ĮRANGA

Naudodami įrenginį įsitikinkite, kad naudojate tinkamas ir sertifikuotas apsaugos priemones. Visada dėvėkite judesį netrukdančius drabužius, apsaugines pirštines, akinius, respiratorių su purškauke, ausų apsaugas ir apsauginius batus nuo kirpimo neslystančiais padais. Niekada nedėvėkite šalikų, vėrinių, kabančių ar besiplečiančių priedų ir drabužių, kurie gali įstrigti mašinoje. Suriškite plaukus, jei jie ilgi.

### GAISRO IR NUDEGIMO PAVOJUS

Dėl elektros įrangos veikimo sutrikimų gali atsirasti kibirkščių, kurios gali uždegti degias medžiagas. Įsitikinkite, kad darbo vieta yra švari ir tvarkinga, ir nenaudokite mašinos šalia degių medžiagų. Kilus gaisrui, naudokite tinkamą gesintuvą. Po darbo nelieskite besisukančių dalių. Kai kurie paviršiai naudojimo metu gali labai įkaisti, todėl prieš liečiant juos reikia leisti šiek tiek atvėsti.

### KATEGORIJS SAUGOS ĮSPĖJIMAI

#### SAUGI EKSPLOATACIJA

Visos mašinos valdymo svirtys turi lengvai judėti iš vienos padėties į kitą ir nereikės veržti. Elektros laidai, ypač pagrindinio kištuko kabelis, turi būti nepriekaištingos būklės, kad būtų išvengta

kibirkščių susidarymo arba elektros smūgio pavojus. Rankenos ir apsaugos įtaisai turi būti švarūs ir sausi, taip pat patikimai pritvirtinti prie mašinos. Valdykite mašiną abiem rankomis. Įsitikinkite, kad kiekvienam darbuvi visada naudojate tinkamą įrankį, kad išvengtumėte mašinos gedimo ar sužeidimų ir išvengtumėte mašinos perkrovos. Elektros tiekimo įtampa ir dažnis turi atitikti mašinos specifikacijas. Įsitikinkite, kad mašinos jungiklis yra išjungtas, kai jį prijungiate, kad išvengtumėte netyčinio paleidimo rizikos. Prieš naudodami mašiną, išimkite visus raktus ir veržliarakčius.

Įsitikinkite, kad sustabdėte mašiną ir ištraukėte kištuką iš elektros tinklo:

- ▶ Montuojant arba nuimant priedus ir įrankius.
- ▶ Kai paliekate mašiną be priežiūros.
- ▶ Valymo ar priežiūros metu.
- ▶ Mašinos perkėlimo, transportavimo ar sandėliavimo metu.

Jei mašina sugenda arba užstringa, nedelsdami išjunkite aparatą ir atjunkite jį nuo maitinimo šaltinio. Jei reikia, įgaliotajame techninės priežiūros centre mašinos negalima paleisti iš naujo, jei strigtis nepašalinta arba gedimas nepataisytas. Mašina gali užstrigti, kai:

- ▶ Mašina perkrauta.
- ▶ Apdirbamas ruošinys yra užstrigęs.

### ELEKTROS PAVOJUS

Įsitikinkite, kad mašinos elektros laidai ir maitinimo kištukas, prie kurio jis prijungtas, yra geros būklės ir nenusidėvėję. Niekada nenaudokite sugadintos mašinos arba mašinos su pakeistais arba susidėvėjusiais elektros laidais ir kištukais. Nelaikykite mašinos ir elektros laidų drėgnoje aplinkoje ir niekada nelieskite, kai jie šlapi. Naudokite kištukinį lizdą su įžeminimo kontaktu.

Nelieskite prie įžemintų paviršių ar elektros laidų, kad išvengtumėte elektros smūgio pavojus. Nenaudokite laido kištuko ištraukimui iš lizdo.

Kad nepažeistumėte maitinimo kabelio, maitinimo laidą visada traukite toliau nuo mašinos galinės dalies ir saugokite nuo karščio, alyvos ir aštrių daiktų. Jei mašiną ketinate naudoti lauke, naudokite tik ilginamuosius laidus, skirtus naudoti lauke. Bet kurio ilgintuvo skerspjuvis turi būti ne mažesnis kaip 1,5 mm<sup>2</sup>, o tinklo jungtis turi būti apsaugota atitinkamu saugikliu.

### SUKIANČIŲ DALIŲ PAVOJUS

Besisukančios dalys gali rimtai susižaloti. Venkite liestis su besisukančiomis dalimis, kai jos vis dar sukasi, ir pasirūpinkite, kad viskas, kas gali būti įstrigusi veikiančiame įrenginyje, pvz., palaidi plaukai ir drabužiai, būtų atokiau. Dirbdami su mašina laikykite rankas toliau nuo apdirbimo zonos.

Darbinės dalys ir įrankiai gali susižaloti ir susižaloti bei sugadinti turtą. Įsitikinkite, kad mašina ir įrankiai visada yra geros būklės. Naudokite spaustukus arba veržlę, kad ruošinys tvirtai laikytųsi savo vietoje. Nedirbkite su daiktais, kurie yra per maži, kad juos tvirtai pritvirtintumėte.

Patikrinkite, ar tinkama sureguliuotos judančios ir besisukančios dalys arba ar nėra kitų gedimų,

kurie gali kelti pavojų. Pažeistą apsaugą ar kitą dalį prieš eksploatuojant mašiną turi pakeisti įgaliotasis techninės priežiūros centras. Nelieskite besisukančių dalių, kol jos visiškai nustos.

### TRIUŠMO IR VIBRACIJA PAVOJUS

Šiose instrukcijose nurodyti triukšmo lygiai yra didžiausi mašinos naudojimo lygiai. Nepakankama priežiūra turi didelę įtaką vibracijos ir triukšmo emisijai. Vadinasi, būtina imtis prevencinių priemonių, kad būtų pašalinta galima žala dėl didelio triukšmo ir vibracijos įtempimo. Gerai prižiūrėkite mašiną, mūvėkite ausų apsaugos priemones, antivibracines pirštines ir dirbdami darykite pertraukas.

### PAVOJAI DARBO ZONOJE

Kruopščiai apžiūrėkite visą darbo zoną ir naudokite grėblį arba kiemo šepetį, kad rankiniu būdu atlaisvintumėte šiukšles ir pašalintumėte viską, kas gali būti jums pavojingas šaltinis arba sugadinanti mašiną. Laikykitės darbo vietą švarią ir tvarkingą. Nenaudokite mašinos drėgnoje aplinkoje arba kai pati mašina šlapia. Laikykitės mašiną toliau nuo degių medžiagų. Patikrinkite, ar mašinos veikimo zonoje nėra pašalinių asmenų, gyvūnų ar daiktų, kurie galėtų būti pažeisti.

Dirbkite tik gerai vėdinamose patalpose. Medžio drožlės ir pjūvenos gali kelti pavojų sveikatai įkvėpus arba patekusios į akis. Dirbdami su tokiomis medžiagomis visada dėvėkite tinkamą puskaukės respiratorių ir apsauginius akinius bei naudokite dulkių nusiurbimo įtaisą.

Dirbkite tik dienos šviesoje arba esant tinkamam dirbtiniam apšvietimui, esant geram matomumui. Stenkitės nekelti triukšmo, naudodami šį įrenginį tik tinkamu paros metu.

Užimkite tvirtą ir gerai subalansuotą poziciją. Jei įmanoma, nedirbkite ant šlapios, slidžios žemės arba bet kokių atveju nelygioje ar stačioje vietoje, kuri negarantuoja operatoriui stabilumo.

Nenaudojamus įrankius reikia laikyti sausoje ir saugioje vietoje, atokiau nuo veikiančios mašinos ir vaikams nepasiekiamoje vietoje.

### LIKUSI PAVOJAI

Mašina buvo pagaminta naudojant šiuolaikines technologijas ir laikantis pripažintų saugos taisyklių. Net ir įgyvendinus visas saugos priemones, gali kilti tam tikrų pavojų, kurie dar nėra akivaizdūs. Operatorius turi vadovautis sveiku protu ir imtis būtinų atsargumo priemonių, kad išvengtų rizikos dėl likusių pavojų.

### PRODUKTO SPECIFIKACIJOS

#### PASKIRTIS

Ši mašina suprojektuota ir pagaminta ruošinių apdirbimui, pjaunant, pvz., medienos gabalus. Jis nėra skirtas intensyviai komerciniam naudojimui.

Bet koks kitas naudojimas, kuris skiriasi nuo pirmiau minėtų, gali būti pavojingas, pakenkti žmonėms ir (arba) sugadinti daiktus ir pačią mašiną.

### NETINKAMAS NAUDOJIMAS

Mašinos negalima apdirbti pavojingų medžiagų, pvz., susikaupusių degių ar sprogių produktų ir kitų objektų, kurie gali būti pavojingi pačiai mašinai, taip pat operatoriui, pašaliniams asmenims, gyvūnams ar turtui.

Kiti netinkamo naudojimo pavyzdžiai gali apimti, bet tuo neapsiribojant, mašinos veikimą:

- ▶ Be originalių gamintojo pateiktų priedų.
- ▶ Su originaliais priedais, bet ne pagal instrukcijas.
- ▶ Be originalių atsarginių dalių.
- ▶ Su neleistiniais pakeitimais.

### PASTABA

Pagal galiojančius gaminio atsakomybės įstatymus, įrenginio gamintojas neprisiama atsakomybės už gaminio žalą ar gaminio sukeltus pažeidimus, atsiradusius dėl:

- ▶ Netinkamai elgiantis, nesilaikyta naudojimo instrukcijų.
- ▶ Remontą atlieka trečiosios šalys, o ne įgalioti techninės priežiūros specialistai.
- ▶ Neoriginalių atsarginių dalių montavimas.
- ▶ Naudojimas ne pagal paskirtį.
- ▶ Elektros sistemos gedimas dėl mašinos galios, neatitinkančio elektros ir VDE taisyklių.

TECHNINIAI DUOMENYS	
Straipsnio numeris	46 614
Modelis	SCMS-DB 305 PLUS
Nominali įtampa	V 220-240
Vardinis dažnis	Hz 50
Galia	W 2.000
Nėra apkrovos greičio	rpm 4.500
Ašmenų išorinis skersmuo	mm 305
Ašmenų angos dydis	mm 30
Pjovimo plotis	mm 2,3
Maksimali pjovimo galia Įstrižainė 0° / Nuožulnus 0° (P x A)	mm 340 x 102
Maksimali pjovimo galia Įstrižainė 0° / Nuožulnus (L) 45° (P x A)	mm 340 x 48
Didžiausia pjovimo galia Įstrižainė 0° / Nuožulnus (R) 45° (P x A)	mm 340 x 40
Maksimali pjovimo galia Įstrižainė (L/R) 45° / Nuožulnus 0° (P x A)	mm 235 x 102
Maksimali pjovimo galia Įstrižainė (L/R) 45° / Nuožulnus (L) 45° (P x A)	mm 235 x 48

TECHNINIAI DUOMENYS		
Straipsnio numeris		46 614
Modelis	SCMS-DB 305 PLUS	
Maksimali pjovimo galia Istrižainė (L/R) 45° / Nuožulnis (R) 45° (P x A)	mm	235 x 40
Garso slėgio lygis (LpA)	dB(A)	92
Garso galios lygis (LwA)	dB(A)	105
Neapibrėžtis (K)	dB	3
Grynas svoris	kg	19,5

## IDENTIFIKAVIMAS (1, 2 PAV.)

- Jungiklio gaidukas
- Apatinė ašmenų apsauga
- Atraminė plokštė
- Šoninė rankena
- Prailginamasis sparnas
- Stabdymo plokštė
- Vadovo tvora
- Darbinis spaustukas
- Stumdomas užraktas
- Variklis
- Anglies šepetėlio dangtelis
- Operacinė rankena
- Diržo dangtelis
- Veleno užraktas
- Nuožulnumo lygis
- Mitrinė skalė
- Pasukite užrakto svirtį
- Pasukamas stalas
- Lazeris
- Stabdymo rankena
- Ašmenys

## OPERACIJA

### JRENGINIO PARUOŠIMAS

Išpakavimas ir surinkimas turi būti atliekamas ant lygaus ir stabilaus paviršiaus, turint pakankamai vietos mašinai ir jos pakuočioms perkelti, visada naudojant tinkamą įrangą.

### JSPĖJIMAS

Prieš atlikdami bet kokius reguliavimus, visada atjunkite įrenginį nuo maitinimo šaltinio.

Norėdami surinkti mašiną:

### Atleiskite pjovimo galvutę

- Šiek tiek paspauskite jungiklio rankenėlę.
- Ištraukite stabdymo skląstį (3.1 pav.).
- Leiskite pjovimo galvutei pakilti į aukštesnę padėtį.

### JSPĖJIMAS

Kad išvengtumėte sužalojimų ir pjūklo sugadinimo, gabenkite arba laikykite kampinį pjūklą, kai pjovimo galvutė yra užfiksuota apatinėje padėtyje, naudojant stabdymo skląstį. Niekada nenaudokite stabdymo fiksatoriaus, kad pjovimo galvutė būtų nuleista pjovimo operacijų metu.

### Šoninė rankena

Istatykite istrižainės rankeną (4.1 pav.) į istrižainės lentelės angą (4.2 pav.).

### Dulkių maišelis

- Suspauskite metalinius apykaklės sparnus (5.2 pav.) ant dulkių maišelio (5.1 pav.).
- Uždėkite dulkių maišelio kaklelį aplink išmetimo angą (5.3 pav.) ir atleiskite metalinius apykaklės sparnus.

### JSPĖJIMAS

Nenaudokite dulkių maišelio apdirbdami metalus. Įkaitusios drožlės ar kibirkštys gali uždegti pjuvenas arba patį maišelį. Dažnai valykite ir pašalinkite pjuvenas iš po pjūklo.

### Prailginami sparnai

- Atlaisvinkite rankenėlę (6.1 pav.), tada passtumkite prailginimo stalą į norimą padėtį ir priveržkite rankenėlę.
- Stabdymo plokštė skirta naudoti kartotinio pjovimo metu. Vienu metu naudokite tik vieną stabdymo plokštę. Pasukite stabdymo plokštę (6.3 pav.) į vertikalią padėtį ir vėl priveržkite fiksavimo varžtą (6.2 pav.).

### Darbinis spaustukas

- Įdėkite darbinį gnybtą (7.1 pav.) į vieną iš tvirtinimo angų (7.2 pav.).
- Apkabos aukštį galima reguliuoti atlaisvinant rankenėlę (7.3 pav.), esančią spaustuko gale.

### Pagrindo plokštė prie suoliuko

Padėkite pjūklą norimoje vietoje tiesiai ant darbastalio, kur būtų vietos tvarkyti ir tinkamai paremti ruošinį. Pjūklo apačioje yra keturios tvirtinimo angos. Prisukite kampinio pjūklo pagrindą (8.1 pav.) prie darbastalio (8.5 pav.), naudodami varžtą (8.2 pav.), guminę poveržlę (8.3 pav.), plokščias poveržles (8.4 pav., 8.6 pav.), fiksuojamąją poveržlę (Pav. 8.2), 8.7), veržlę (8.8 pav.) ir fiksavimo veržlę (8.9 pav.), kaip parodyta.

### PASTABA

Tvirtinimo įrangą į šį įrankį neįeina. Varžtus, veržles, poveržles ir varžtus reikia įsigyti atskirai.

### Užrakinimo mygtukas

Kad jungiklio gaidukas (9.1 pav.) nebūtų netyčia patrauktas, yra numatytas apatinės ašmenų apsaugos užrakto mygtukas (9.2 pav.). Norėdami paleisti įrankį, patraukite užrakto mygtuką prie ašmenų apsaugos ir paspauskite jungiklio gaiduką. Norėdami sustabdyti, atleiskite jungiklio gaiduką ir užrakinimo mygtuką.

### JSPĖJIMAS

Prieš prijungdami įrankį, visada patikrinkite, ar jungiklio gaidukas tinkamai veikia ir, atleidus, grįžta į „OFF“ padėtį. Nespauskite jungiklio gaiduko stipriai nepatraukę užrakto mygtuko, nes tai gali sugadinti jungiklį. Naudojant įrankį su netinkamai veikiančiu jungikliu, galite prarasti kontrolę ir rimtai susižaloti.

### Vienfazis variklis

Sumontuotas elektros variklis yra pilnai prijungtas ir paruoštas darbui. Kliento prijungimas prie

maitinimo sistemos ir bet kokie galimi naudojami ilginamieji laidai turi atitikti vietinius teisės aktus. Reguliariai tikrinkite elektros prijungimo laidus, ar nepažeisti. Tikrindami įsitikinkite, kad laidas atjungtas nuo elektros tinklo. Tinklo įtampa turi sutapti su įtampa, nurodyta variklio duomenų lentelėje. Prijungimas prie elektros tinklo turi būti apsaugotas tinkamu lėtai veikiančiu saugikliu ir turi būti naudojamas tik lizdas su tinkamai sumontuotu žeminimo kontaktu.

## **ĮRENGINIO VALDYMAS** **ĮSPĖJIMAS**

Savo saugumo sumetimais, atlikdami bet kurią iš toliau nurodytų reguliavimo procedūrų, mašinos jungiklį laikykite išjungtoje padėtyje. Įrenginys turi būti įjungtas tik tuo atveju, jei tai nurodyta konkrečiam procedūros veiksmui ir tik tam konkrečiam veiksmui.

### **Stabdymo svirties reguliavimas**

Apatinė ribinė ašmenų padėtis lengvai reguliuojama stabdymo svirtimi (10.1 pav.). Norėdami jį sureguliuoti, perkelkite stabdymo svirtį rodyklės kryptimi, kaip parodyta paveikslėlyje. Sraig tą (10.2 pav.) sureguliuokite taip, kad iki galo nuleidus rankeną ašmenys sustotų norimoje padėtyje.

### **Įpjovos kampo reguliavimas** **ĮSPĖJIMAS**

Reguliuodami kampo kampą, būtinai iki galo pakelkite rankeną. Pakeitę kampą, visada pritvirtinkite posūkio stalą tvirtai priverždami rankeną.

1. Atlaisvinkite rankeną (11.4 pav.) sukdami prieš laikrodžio rodyklę.
2. Pasukite sukamąjį stalą spausdami žemyn fiksavimo svirtį (11.3 pav.).
3. Nustačius rankeną į padėtį, kurioje rodyklė (11.2 pav.) nukreipta į norimą kampą ant kampinės skalės (11.1 pav.), tvirtai priveržkite rankeną pagal laikrodžio rodyklę.

### **Nuolydžio kampo reguliavimas** **ĮSPĖJIMAS**

Reguliuodami pasvirimo kampą, būtinai iki galo pakelkite rankeną.

1. Atlaisvinkite svirtį (12.1 pav.), esančią įrankio gale, prieš laikrodžio rodyklę.
2. Atrakinkite ranką, stumdami rankeną ta kryptimi, kuria ketinate pakreipti pjūklą diską.
3. Pakreipkite pjūklą diską tol, kol rodyklė (13.3 pav.) nukreipta į norimą kampą nuožulnioje skalėje (13.4 pav.).
4. Tvirtai priveržkite svirtį (13.1 pav.) pagal laikrodžio rodyklę, kad pritvirtintumėte rankeną (13.2 pav.).

### **Stumdomas užraktas**

Norėdami užfiksuoti slydimo stulpą, pasukite fiksavimo varžtą (14.1 pav.) pagal laikrodžio rodyklę.

### **Vadovo tvoros reguliavimas** **ĮSPĖJIMAS**

Prieš naudodami įrankį, įsitikinkite, kad slankioji aptvara yra tvirtai pritvirtinta ir kad jokia įrankio dalis nesiliestų su slankiojančia tvorele, kai rankena visiškai

nuleidžiama ir pakeliama bet kurioje padėtyje ir judant vežimėliui per visą jo eigos diapazoną.

1. Atliekant nuožulnius pjūvius, stumdomąją tvorelę (15.1 pav.) pastumkite į šoną ir užfiksuokite suveržimo varžtu (15.2 pav.). Šiame įrankyje yra slankioji tvorelė, kuri paprastai turi būti išdėstyta taip, kaip parodyta paveikslėlyje:
  - ▶ Pjūvimas kairiuoju kampu būtinai nustatykite kairę slankiąją tvorą (16.1 pav.) į teisingą padėtį, jei įrankio galvutė ją liečia.
  - ▶ Jei norite pjūvių nuožulniais, dešiniąją slankiąją tvorą (16.2 pav.) nustatykite į teisingą padėtį, jei įrankio galvutė ją liečia.
2. Baigę nuožulniojo pjovimo darbus, grąžinkite slankiojančią tvorelę į pradinę padėtį ir pritvirtinkite tvirtai priverždami priveržimo varžtą.

### **Lazerio operacija**

Prieš naudojant lazerį pjovimo metu, dvi priedų baterijas reikia įdėti į baterijų dėžutę (17.2 pav.) dešinėje rankos pusėje. Įjunkite lazerinį jungiklį (17.1 pav.) ir patikrinkite, ar lazerio linija (17.3 pav.) yra pagrindo centre.

### **Paspauskite iškirpti**

Norėdami pjaustyti mažus ruošinius:

1. Visiškai stumkite vežimėlį link kreipiamosios tvoros ir priveržkite fiksavimo varžtą pagal laikrodžio rodyklę, kad pritvirtintumėte vežimėlį.

### **ĮSPĖJIMAS**

Nepakankamai priveržus rankenėlę, gali kilti atatranka, dėl kurios galima rimtai susižaloti.

2. Tinkamai pritvirtinkite ruošinį tinkamo tipo spaustukais.
3. Įjunkite įrankį ašmenims nesiliesdami ir palaikite, kol ašmenys pasieks visą greitį, prieš nuleisdami.
4. Švelniai nuleiskite rankeną į visiškai nuleistą padėtį, kad nupjautumėte ruošinį.
5. Kai pjovimas bus baigtas, išjunkite įrankį ir palaikite, kol ašmenys visiškai sustos, prieš grąžindami ašmenis į visiškai pakeltą padėtį.

### **Slydimo pjūvis**

Norėdami pjaustyti plačius ruošinius:

1. Atsukite fiksavimo varžtą prieš laikrodžio rodyklę, kad vežimėlis galėtų laisvai slysti.
2. Pritvirtinkite ruošinį tinkamo tipo spaustukais.
3. Iki galo patraukite vežimėlį link savęs.
4. Įjunkite įrankį ašmenims nesiliesdami ir palaikite, kol ašmenys pasieks visą greitį, prieš nuleisdami.
5. Paspauskite rankeną žemyn ir stumkite vežimėlį link kreipiančiosios tvoros ir per ruošinį.

### **ĮSPĖJIMAS**

Nepradėkite pjauti, kai vežimėlis nėra visiškai patrauktas į save, nes gali įvykti netikėtas atatrankas ir rimtai susižaloti. Niekada nebandykite atlikti slydimo pjovimo traukdami vežimėlį link savęs, nes tai gali sukelti netikėtą atatranką ir rimtai susižaloti.

6. Kai pjovimas bus baigtas, išjunkite įrankį ir palaikite, kol ašmenys visiškai sustos, prieš grąžindami ašmenis į visiškai pakeltą padėtį.

### **ĮSPĖJIMAS**

Niekada neatlikite slydimo pjovimo, kai rankena užfik-



suota nuleistoje padėtyje ir niekada neatlaisvinkite fiksuotam varžto, kuris pritvirtina vežimėlį, kai asmenys sukasi. Pjovimo metu atsilaisvinusi vežimėlis gali sukelti netikėtą atatrąką ir rimtai susižaloti.

### **Įpjova**

Instrukcijas, kaip nustatyti pjūvį, žr. skyrelyje „Smailaus kampo reguliavimas“.

### **Nuožulnus pjūvis**

Instrukcijas, kaip nustatyti pjūvį, rasite skyriuje „Nuožulniojo kampo reguliavimas“.

### **ĮSPĖJIMAS**

Nustatę ašmenis nuožulniam pjovimui, prieš naudodami įrankį įsitikinkite, kad vežimėlis ir peilis laisvai judės visame numatyto pjovimo diapazone. Pjovimo metu nutrūkus vežimėliui arba peilio eigai, gali įvykti atatrąka ir rimtai susižaloti.

1. Pritvirtinkite ruošinį spaustukais.
2. Įsitikinkite, kad vežimėlis patrauktas iki galo atgal link operatoriaus.
3. Įjunkite įrankį ašmenims nesiliesdami ir palaukite, kol ašmenys pasieks visą greitį.
4. Paspauskite rankeną žemyn ir stumkite vežimėlį link kreipiančios tvoros ir per ruošinį.

### **PASTEBĖTI**

Spausdami rankeną, spauskite lygiagrečiai su ašmenimis. Jei jėga veikiama statmenai posūkiu pagrindu arba pjovimo metu pakeičiama slėgio kryptis, pjovimo tikslumas bus neigiamas.

5. Kai pjovimas bus baigtas, išjunkite įrankį ir palaukite, kol ašmenys visiškai sustos, prieš grąžindami ašmenis į visiškai pakeltą padėtį.

### **ĮSPĖJIMAS**

Pjudami nuožulniai, rankos nepatenka į ašmenų kelią. Ašmenų kampas gali suklaidinti operatorių dėl tikrojo ašmenų kelio pjovimo metu, o prisilietimas prie ašmenų gali rimtai susižaloti.

### **ĮSPĖJIMAS**

Ašmenų negalima pakelti, kol jis visiškai nesustos. Nuožulniai pjaunant nupjauta dalis gali atsiremti į ašmenis. Jei ašmenys pakeliami jam besisukant, nupjauta dalis gali būti išstumta nuo ašmenų, o tai gali rimtai susižaloti.

### **ĮSPĖJIMAS**

Atliekant nuožulnius pjūvius visada įsitikinkite, kad kreipiamoji tvora netrukdo jokiai vežimėlio daliai.

### **Kombinuotas kirpimas**

Kombinuotas pjovimas – tai procesas, kurio metu padaromas nuožulnus kampas tuo pačiu metu, kai pjaunamas ruošinio kampinis kampas.

### **PRIEŽIŪRA IR VALYMAS**

Kas šešis mėnesius iki vienerių metų (atsižvelgiant į naudojimo dažnumą ir įsitinymumą) nuvežkite savo mašiną į artimiausią degalinę, kad atliktumėte šias techninės priežiūros operacijas:

- ▶ Tepimas.
- ▶ Šepečių patikrinimas ir keitimas.
- ▶ Mechaninė apžiūra ir valymas (krumpliaračių, guolių ir kt.).
- ▶ Elektros patikra (jungiklis, laidas ir kt.).
- ▶ Bandymai, siekiant užtikrinti tinkamą mechaninį

ir elektrinį veikimą.

### **ĮSPĖJIMAS**

Savo saugumo sumetimais prieš bet kokius mašinos techninės priežiūros darbus išjunkite jungiklį ir ištraukite kištuką iš maitinimo šaltinio. Laikykitės savo prietaisų švarų. Kad nesugadintumėte variklio, dažnai išpūskite arba išsiurbkite šį variklį, kad pjuvenos netrukdytų normaliai variklio ventiliacijai.

### **VARIKLIO ANGLIES ŠEPEČIAI**

Reguliariai nuimkite ir tikrinkite variklio anglinius šepečėlius. Laikykitės juos švarius ir pakeiskite, jei yra pernelyg susidėvėję.

Norėdami pakeisti anglinius šepečėlius:

1. Atsuktuvu nuimkite šepečio laikiklio dangtelį.
2. Išimkite susidėvėjusius anglies šepečėlius.
3. Įdėkite naujus anglinius šepečėlius.

### **PASTABA**

Anglinius šepečėlius reikia keisti identiškomis poromis, neatsižvelgiant į individualų nusidėvėjimą.

4. Užfiksuokite šepečėlio laikiklio dangtelį. Pakeitę šepečius, įjunkite įrankį ir sulaužykite šepečius, naudodami įrankį be apkrovos maždaug 10 minučių. Tada patikrinkite, ar įrankis tinkamai veikia, o elektrinis stabdys sustabdo ašmenų sukimąsi atleidžiant jungiklio gaiduką pagal gamyklinius standartus.

### **PJOVIMO AŠMENIS**

#### **ĮSPĖJIMAS**

Dirbdami su pjovimo peiliuku visada mūvėkite apsaugines pirštines ir įsitikinkite, kad atjungėte mašiną nuo elektros lizdo. Geležtei sumontuoti arba išimti naudokite veržliaraktį. Nenaudojus veržliarakčio šešiabriaunis varžtas gali būti per daug priveržtas arba nepakankamai priveržtas ir gali būti rimtai susižaloti.

### **Ašmenų pašalinimas**

1. Ištraukite pjūklą iš elektros lizdo.
2. Leiskite pjovimo galvutei pakilti į vertikalią padėtį. Atsuktuvu atsukite dengiamosios plokštės varžtą (9.2 pav.).
3. Pakelkite apatinę ašmenų apsaugą (18.1 pav.) į viršutinę padėtį.
4. Pasukite dengiamąją plokštę (18.3 pav.) į įrankio užpakalinę dalį, kad atskleistumėte ašmenų varžtą (18.4 pav.).
5. Uždėkite veržliaraktį ant ašmenų varžto.
6. Suraskite užrakto mygtuką ant valdymo rankenos.
7. Paspauskite užrakto mygtuką, tvirtai jį laikydami, sukdami ašmenų veržliaraktį pagal laikrodžio rodyklę. Užraktas užsifiksuos pasukus veržliaraktį. Toliau laikykite užrakinimo mygtuką, kad jis liktų įjungtas, o sukdami veržliaraktį pagal laikrodžio rodyklę atlaisvinkite ašmenų varžtą.
8. Nuimkite varžtą (19.1 pav.), poveržlę (19.2 pav.) ir peilį (19.3 pav.). Nenuimkite vidinio ašmenų apykaklės. (19.4 pav.).

### **Ašmenų montavimas**

1. Ištraukite pjūklą iš elektros lizdo.
2. Sumontuokite 12 colių (305 mm) peilį su 1 colio (25,4 mm) vidine skykle, įsitikinkite, kad ant

ašmenų esanti sukimosi rodyklė sutampa su sukimosi rodykle pagal laikrodžio rodyklę, esančią ant viršutinės apsaugos, o ašmenų dantys yra nukreipti žemyn.

- Uždėkite poveržlę (19.2 pav.) prie ašmenų ir ant veleno. Įsukite varžtą (19.1 pav.) prieš laikrodžio rodyklę.
- Uždėkite veržliaraktį ant ašmenų varžtą.
- Paspauskite užrakto mygtuką, tvirtai jį laikydami, sukdami ašmenis prieš laikrodžio rodyklę. Kai užraktas užsifiksuoja, toliau spauskite jį ir tvirtai priveržkite peilio varžtą.
- Pasukite dengiamąją plokštę (18.3 pav.) atgal į pradinę padėtį, kol dangčio plokštės griovelis užsifiksuos su dangčio plokštės varžtu (18.2 pav.). Laikydami už apatinės ašmenų apsaugos, priveržkite varžtą atsuktuvu.

### PASTABA

Apatinė ašmenų apsauga turi būti pakelta į vertikalią padėtį, kad būtų galima pasiekti dangčio plokštės varžtą.

- Nuleiskite ašmenų apsaugą (18.1 pav.) ir patikrinkite, ar tinkamai veikia apsauga.
- Atleiskite užrakto mygtuką, kad ašmenys laisvai suktytųsi.

### ĮSPĖJIMAS

Kad išvengtumėte sužalojimų, niekada nenaudokite pjūklų neužfiksavus dengiamosios plokštės. Jis apsaugo, kad peilio varžtas neiškristų, jei jis netyčia atsilaisvintų, ir neleidžia besisukančiam peiliui nukristi nuo pjūklų. Įsitikinkite, kad antkakliai yra švarūs ir tinkamai išdėstyti. Nuleiskite ašmenis į apatinį stalą ir patikrinkite, ar jis nesiliečia su metaliniu pagrindu arba įpjovimo stalu.

### MAITINIMO LAIDAS

Kad išvengtumėte smūgio ar gaisro pavojaus, jei maitinimo laidas yra sliekinis, perpjautas arba kokių nors būdu pažeistas, nedelsdami pakeiskite jį. Elektros prijungimo kabeliai dažnai pažeidžia izoliaciją. Galimos priežastys yra šios:

- Perforavimo taškai, kai jungiamieji laidai yra uvesti per langų ar durų tarpus.
- Sulenkimai, atsiradę dėl netinkamo prijungimo kabelio pritvirtinimo arba klojimo.
- Įpjovimai, atsiradę perbėgus jungiamąjį laidą.
- Izoliacijos pažeidimas, atsiradęs dėl jėgos ištraukimo iš sieninio lizdo.
- Įtrūkimai dėl izoliacijos senėjimo.
- Tokių sugedusių elektros jungčių kabelių naudoti negalima, nes dėl izoliacijos pažeidimo jie yra itin pavojingi.

### TEPIMAS

Periodiškai sutepinkite judančių dalių jungtis.

### VALYMAS

Nedidelį minkštą šepetėlį valykite įrenginio išorę. Nenaudokite stiprių ploviklių. Buitiniai valikliai, kurių sudėtyje yra aromatinių aliejų, pvz., pušų ir citrinų, ir tirpiklių, tokių kaip žibalas, gali pažeisti plastikinį korpusą arba rankeną. Drėgmę nuvalykite minkšta šluoste. Jei reikia, atitinkamu dulkių siurbliu pašalinkite dulkes, nešvarumus ir apdirbimo likučius.

### SANDĖLIAVIMAS

#### ĮSPĖJIMAS

Išjunkite jungiklį ir ištraukite kištuką iš maitinimo šaltinio lizdo, kad galėtumėte laikyti mašiną. Laikykite įrenginį tik sausose ir gerai vėdinamose patalpose.

Jei įrenginys bus saugomas ilgesnį laiką, naudokite šią saugojimo procedūrą:

- Kruopščiai išvalykite įrenginį ir patikrinkite, ar nėra palaidų ar pažeistų dalių. Pataisykite arba pakeiskite pažeistas dalis ir priveržkite atsilaisvintus varžtus, veržles arba varžtus.
- Jei reikia, sutepkite ir patepkite tepalu.
- Laikykite įrenginį originalioje pakuotėje.

### APLINKOS APSAUGA

Perdirbkite žaliavas, o ne išmeskite kaip atliekas. Mašina, priedai ir pakuotės turi būti rūšiuojamos, kad būtų galima perdirbti aplinkai nekenksmingą. Plastikiniai komponentai yra paženklinti, kad juos būtų galima perdirbti.

Šio gaminio negalima išmesti kartu su buitinėmis atliekomis, laikantis atitinkamų teisės aktų, reglamentuojančių elektros ir elektroninės įrangos atliekas. Šį gaminį reikia išmesti į tam skirtą surinkimo punktą. Tai gali įvykti, pavyzdžiui, atiduodant jį į įgaliotą elektros ir elektroninės įrangos atliekų surinkimo punktą. Netinkamas įrangos atliekų tvarkymas gali turėti neigiamų pasekmių aplinkai ir žmonių sveikatai dėl potencialiai pavojingų medžiagų, kurios dažnai būna elektros ir elektroninėje įrangoje. Tinkamai išmesdami šį gaminį taip pat prisidedate prie efektyvaus gamtos išteklių naudojimo.

Informaciją apie įrangos atliekų surinkimo vietas galite gauti iš savo savivaldybės administracijos, valstybinės atliekų šalinimo institucijos, įgaliotos elektros ir elektroninės įrangos atliekų šalinimo įstaigos arba atliekų išvežimo įmonės.

### GARANTIJA

Šiam gaminiui suteikiama garantija pagal teisinius / konkrečios šalies reglamentus, kurie galioja nuo pirmojo naudotojo įsigijimo datos. Garantija netaikoma žalai, atsiradusioms dėl normalaus nusidėvėjimo, perkrovos ar netinkamo naudojimo. Jei turite pretenzijų, visiškai surinkta mašiną nusiųskite pardavėjui arba oficialiam aptarnavimo centrui.

EN	EU DECLARATION OF CONFORMITY		We declare under our sole responsibility that the listed products comply with all applicable provisions of the below directives and are also in conformity with the following standards. Production year and serial number are on the product. The relative technical file is at the below address.	
	DOUBLE BEVEL SLIDE COMPOUND MITER SAW			
	MODEL	Article number		
FR	DÉCLARATION CE DE CONFORMITÉ		Nous déclarons sous notre propre responsabilité que les produits décrits sont conformes à toutes les dispositions applicables des directives ci-dessous et sont également conformes aux normes suivantes. L'année de production et le numéro de série figurent sur le produit. Le dossier technique correspondant est à l'adresse ci-dessous.	
	TRONÇONNEUSE RADIALE À DOUBLE INCLINAISON			
	MODÈLE	Numéro de l'article		
IT	DICHIARAZIONE CE DI CONFORMITÀ		Dichiariamo sotto la nostra piena responsabilità che i prodotti indicati sono conformi a tutte le disposizioni applicabili delle seguenti direttive e sono inoltre conformi alle seguenti norme. Anno di produzione e numero di serie sono sul prodotto. La relativa scheda tecnica è al seguente indirizzo.	
	TRONCATRICE RADIALE A DOPPIA INCLINAZIONE			
	MODELLO	Codice prodotto		
EL	ΔΗΛΩΣΗ ΣΥΜΜΟΡΦΩΣΗΣ ΕΚ		Δηλώνουμε με αποκλειστική μας ευθύνη, ότι τα αναφερόμενα προϊόντα συμμορφώνονται με όλες τις σχετικές διατάξεις των κάτωθι οδηγιών και είναι επίσης σύμφωνα με τα ακόλουθα πρότυπα. Το έτος παραγωγής και ο σειριακός αριθμός αναγράφονται στο προϊόν. Ο τεχνικός φάκελος είναι στην παρακάτω διεύθυνση.	
	ΦΑΛΤΣΟΠΡΙΟΝΟ RADIAL ΔΙΠΛΗΣ ΚΟΠΗΣ			
	ΜΟΝΤΕΛΟ	Κωδικός προϊόντος		
SR	CE IZJAVA O USAGLAŠENOSTI		Na sopstvenu odgovornost izjavljujemo, da navedeni proizvodi poštuju sve važeće odredbe dole navedenih direktiva i da su takođe u skladu sa sledećim standardima. Proizvodna godina i serijski broj su na proizvodu. Relativna tehnološka datoteka je na donjoj adresi.	
	RADIJALNA KRUŽNA TESTERA S DVOSTRUKIM NAGIBOM			
	MODEL	Broj predmeta		
HR	EU IZJAVA O SUKLADNOSTI		Pod punom odgovornošću izjavljujemo da navedeni proizvodi u skladu sa svim primjenjivim odredbama dolje navedenih direktiva, a također su u skladu sa sljedećim standardima. Godina proizvodnje i serijski broj su na proizvodu. Relativna tehnička datoteka nalazi se na donjoj adresi.	
	RADIJALNA KRUŽNA PILA S DVOSTRUKIM NAGIBOM			
	MODEL	Broj artikla		
RO	DECLARAȚIE DE CONFORMITATE UE		Declarăm pe proprie răspundere că produsele menționate respectă toate prevederile aplicabile din directivele de mai jos și sunt, de asemenea, conforme cu următoarele standarde. Anul de producție și numărul de serie sunt pe produs. Fișierul tehnic relativ se află la adresa de mai jos.	
	FERĂȘTRĂU CU ÎNCLINARE DUBLĂ			
	MODEL	Număr articol		
HU	EU MEGFELELŐSÉGI NYILATKOZAT		Kijelentjük kizárólagos felelősségünkre, hogy a felsorolt termékek megfelelnek az alábbi irányelvek összes vonatkozó rendelkezésének, és megfelelnek a következő szabványoknak is. A gyártási év és a sorozatszám a termékben található. A relatív műszaki fájl az alábbi címen található.	
	KIHÚZHATÓ LÉZERES GÉRVÁGÓ			
	MODELL	Cikk szám		
LT	ES ATITIKTIES DEKLARACIJA		Mes, priisiimdami visą atsakomybę, pareiškiame, kad išvardyti produktai atitinka visas taikomas toliau nurodytų direktyvų nuostatas ir taip pat atitinka šiuos standartus. Gamybės metai ir serijos numeris yra ant gaminio. Santykinis technologinis failas yra žemiau nurodytu adresu.	
	KAMPINĖS SKERSINIO PJOVIMO STAKLĖS			
	MODELIS	Straipsnis Numeris		
	SCMS-DB 305 PLUS	46 614	2006/42/EC	EN 62841-1:2015
			2014/30/EU	EN 62841-3-9:2015/A11:2017
				EN 55014-1:2017/A11:2020
				EN 55014-2:2015
				EN 61000-3-2:2014
				EN IEC 61000-3-2:2019
				EN 61000-3-11:2000

Aimilios G. Theodorou  
Electrical Engineer,  
Safety Officer



28/9/2022  
FF GROUP TOOL INDUSTRIES,  
19300 Aspropyrgos-Greece.

**FF GROUP  
TOOL  
INDUSTRIES**  
9,5km  
Attiki Odos,  
Aspropyrgos  
19300, Athens,  
Greece  
Tel. +30 210 55  
98 400





**FF GROUP TOOL INDUSTRIES**



**9,5 Km Attiki Odos, Aspropyrgos**

**19300, Athens, Greece**



**+30 210 55 98 400**



**info@ffgroup-toolindustries.com**



**www.ffgroup-tools.com**