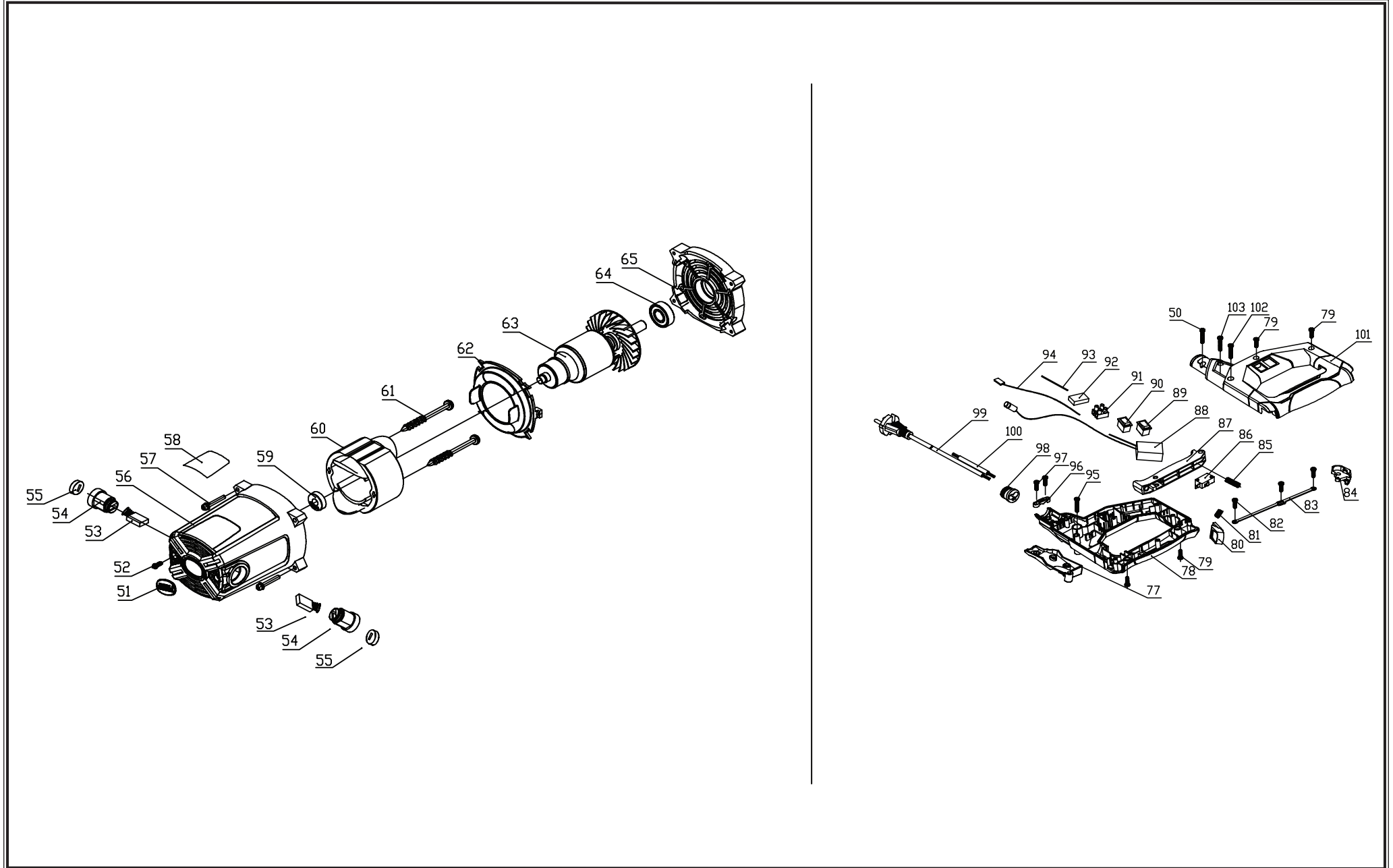


POS.	CODE	DESCRIPTION	QTY
1	A08080	SCREW	2
SET 1 (1,2,5-7,9-12)			
	A08084	CENTER COVER	1
2	A08081	TURN SLEEVE	1
3	A08082	SCREW	2
4	A08083	CONNECTING ROD	1
6	A08085	TORSION SPRING	1
7	A08086	RUBBER BUMPER	1
8	A08087	SCREW M6X10	1
9	A08088	SHIELD LOCATING PALTE	1
11	A08090	SAFETY COVER	1
13	A08092	HEX BOLT M8X18	1
SET 2 (14+16)			
	A08093	FLANGE SET	1
12	A08091	SCREW	4
15		BLADE	1
17	A08094	SCREW M4X10	3
18	A08095	BEARING COVER	1
SET 3 (19,21-25,38)			
	A08099	OUTPUT SHAFT ASSEMBLY	1
19	A08096	BALL BEARING 6202 RS	1
20	A08097	SCREW M5X16	4
21	A08098	FRONT COVER	1
25	A08100	SHAFT RING 25	1
26	A08101	BALL BEARING 608 RS	1
27	A08102	SCREW M4X8	4
28	A08103	FINGER GUARD	1

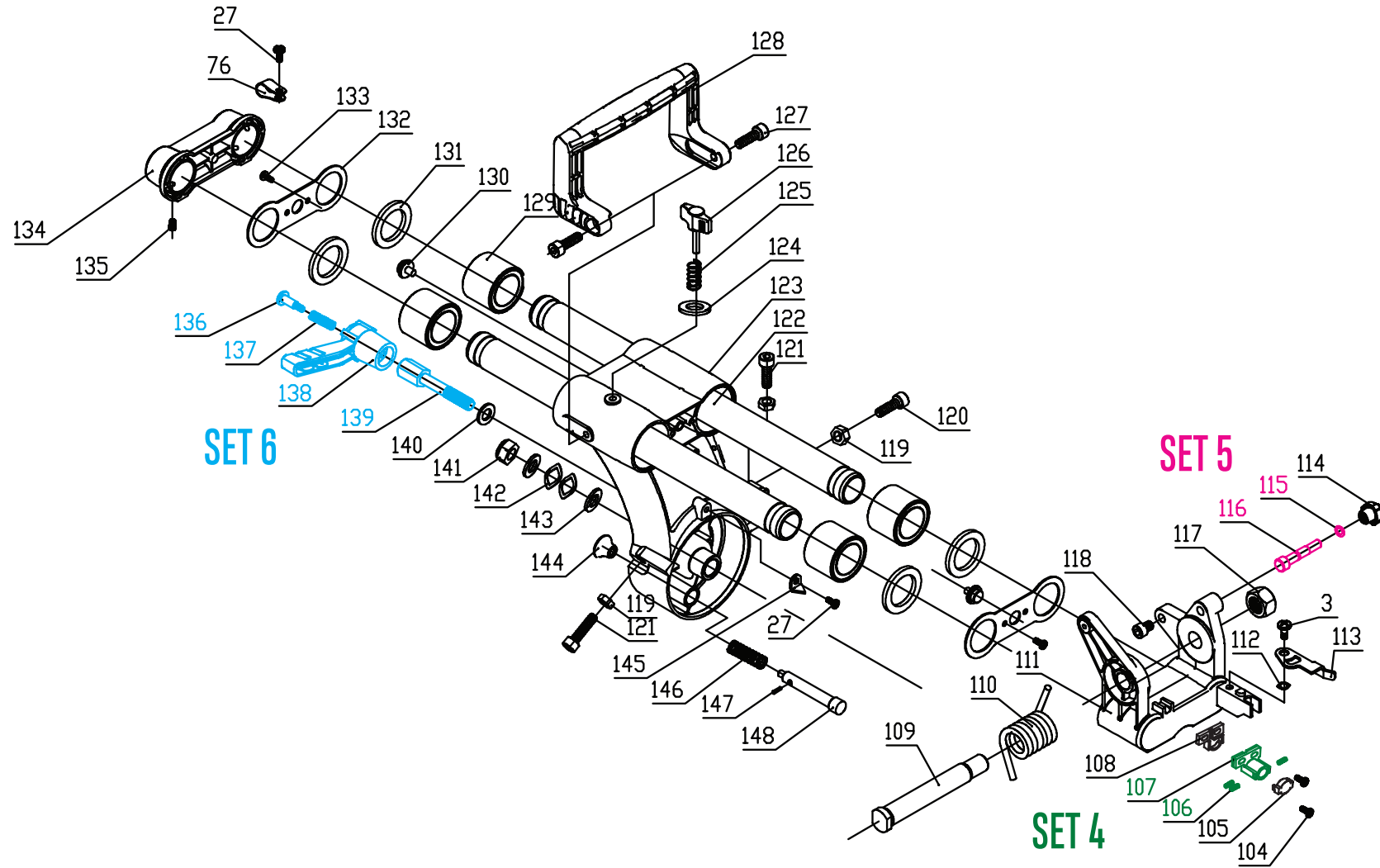
POS.	CODE	DESCRIPTION	QTY
29	A08104	RUBBER COVER	1
30	A08105	WARNING LABEL	1
31	A08106	LED BASE	1
32	A08107	LED COVER	1
33	A08108	BLADE COVER	1
34	A08109	TORSION SPRING	1
35	A08110	LOCK BUTTON	1
36	A08111	LOCK PLATE	1
37	A08112	SCREW M5X12	1
38	A08113	NEEDLE BEARING	1
39	A08114	BALL BEARING 6002 RS	1
40	A08115	HOLE CIRCLIP 32	1
41	A08116	SHAFT RING 14	1
42	A08117	MIDDLE GEAR SHAFT	1
43	A08118	PIN 5X5X25	1
44	A08119	PULLEY	1
45	A08120	WASHER	2
46	A08121	HEX SCREW M6X20	1
47	A08122	BELT	1
48	A08123	SCREW M5X20	2
49	A08124	BELT COVER	1
50	A08125	SCREW M5X30	1
66	A08141	LABEL	1
67	A08142	SMALL PULLEY	1
68	A08143	HEX. SCREW M6X20	1

POS.	CODE	DESCRIPTION	QTY
69	A08144	DUST COVER	1
70	A08145	DUST BAG	1
71	A08146	HEX. NUT M6	1
72	A08147	KNOB	1
73	A08148	NUT	1
74	A08149	HEX. SCREW M5X16	6
75	A08150	PASTIC COVER	1
76	A08151	CLAMP	1



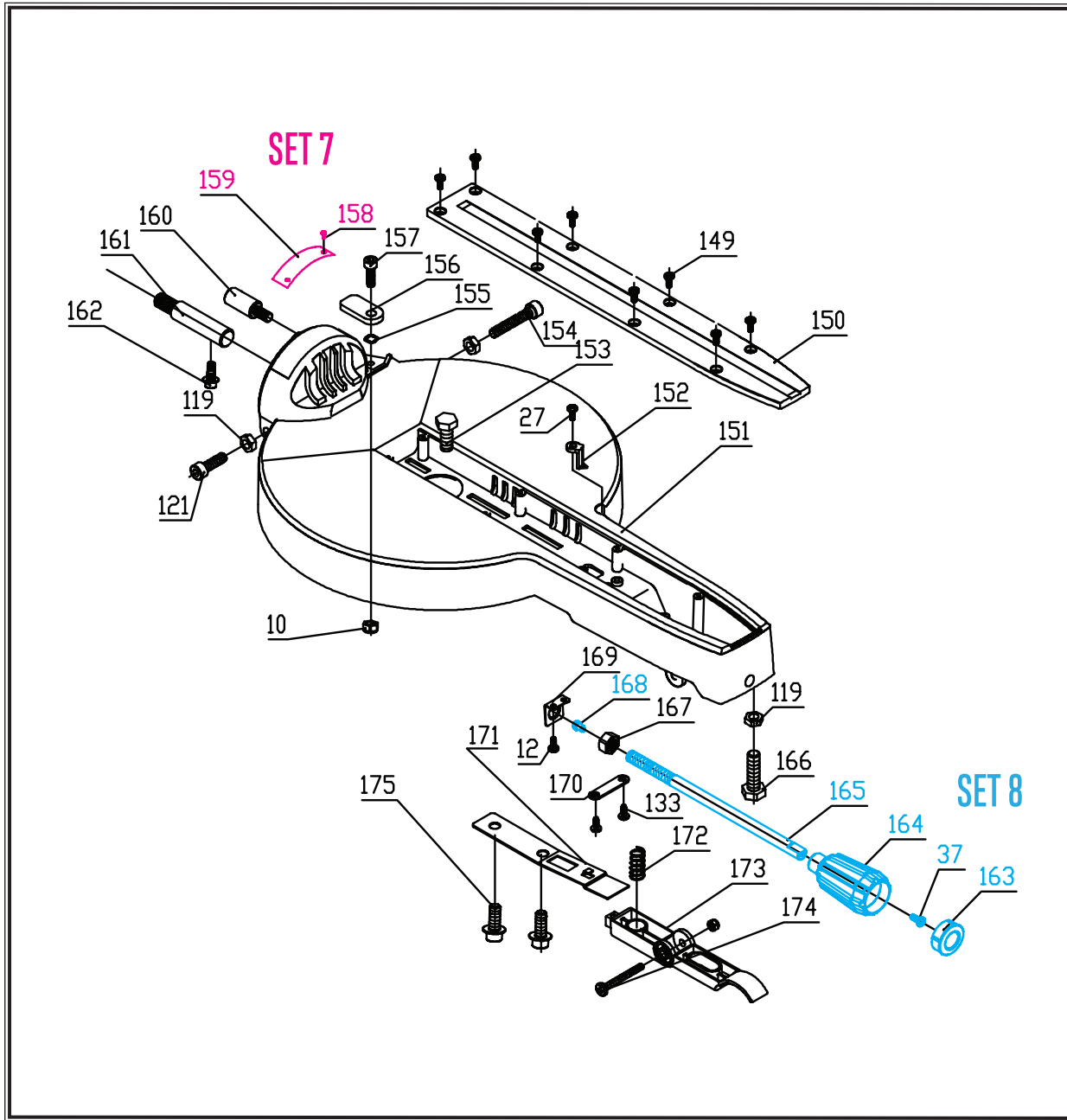
POS.	CODE	DESCRIPTION	QTY
50	A08125	SCREW M5X30	1
51	A08126	LABEL	1
52	A08127	SCREW ST3.9X10	2
53	A08128	CARBON BRUSH SET	1
54	A08129	CARBON BRUSH HOLDER	2
55	A08130	BRUSH HOLDER CAP	2
56	A08131	MOTOR HOUSING	1
57	A08132	SCREW M5X30	4
58	A08133	LABEL	1
59	A08134	BALL BEARING 6000 RS	1
60	A08135	STATOR	1
61	A08136	SCREW ST4.8X65	2
62	A08137	FAN GUIDE	1
63	A08138	ROTOR	1
64	A08139	BALL BEARING 6202 RS	1
65	A08140	BEARING SEAT	1
77	A08152	SUPPORT BASE	1
78	A08153	HANDLE	1
79	A08154	SCREW ST3.9X14	4
80	A08155	KNOB	1
81	A08156	SPRING	1
82	A08157	SCREW ST3.9X8	3
83	A08158	CONNECTING ROD	1
84	A08159	KNOB	1
85	A08160	SPRING	1
86	A08161	SWITCH	1

POS.	CODE	DESCRIPTION	QTY
87	A08162	LEVER	1
88	A08163	TRANSFORMER	1
89	A08164	BUTTON	1
90	A08165	BUTTON	1
91	A08166	TERMINAL BLOCK	4
92	A08167	CAPACITOR	1
93	A08168	EXTENSION WIRE	1
94	A08169	LED	1
95	A08170	SCREW M5X25	2
96	A08171	STRAIN RELIEF	1
97	A08172	SCREW ST3.9X12	2
98	A08173	CABLE GUARD	1
99	A08174	CABLE	1
100	A08175	WIRE	1
101	A08176	HANDLE	1
102	A08177	SCREW M5×50	1
103	A08178	SCREW M4×40	1

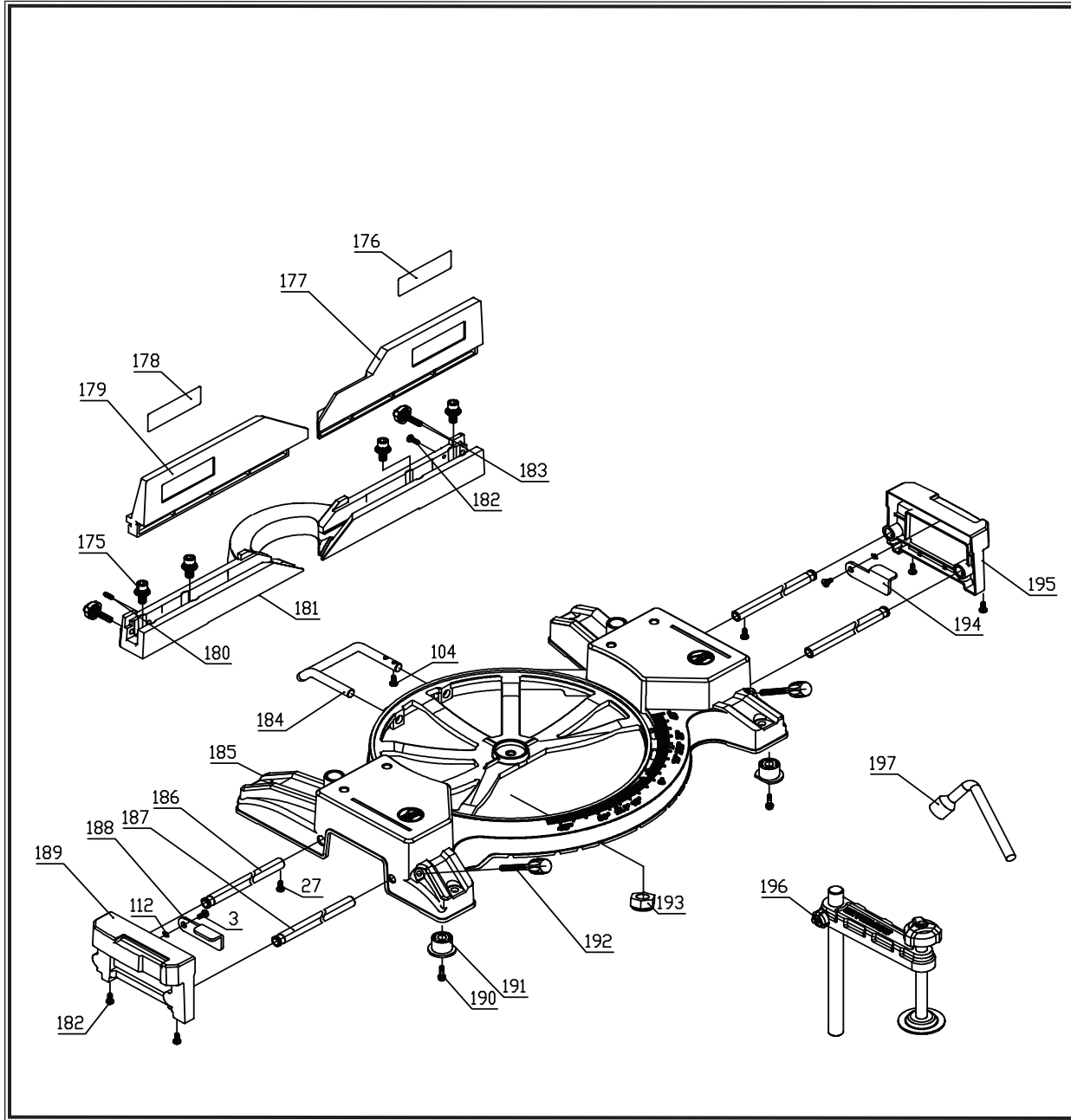


POS.	CODE	DESCRIPTION	QTY
3	A08082	SCREW	1
27	A08102	SCREW M4×8	2
76	A08151	CLAMP	1
104	A08179	SCREW M4X16	2
105	A08180	LASER COVER	1
SET 4 (106+107)	A08182	LASER SEAT	1
108	A08183	LASER BACK COVER	1
109	A08184	ROD	1
110	A08185	TORSION SPRING	1
111	A08186	UP BLADE GUARD BRACKET	1
112	A08187	WASHER	1
113	A08188	LEVER	1
114	A08189	CAP	1
115	A08190	O-RING	1
SET 5 (115+116)	A08191	PIN	1
117	A08192	NUT M6	1
118	A08193	HEX. SCREW M8X10	1
119	A08194	NUT M8	2
120	A08195	HEX. SCREW M8X25	1
121	A08196	HEX. SCREW M8X30	2
122	A08197	SLIDING BAR	2
123	A08198	SUPPORT ARM COMPLET	1
124	A08199	WASHER	1

POS.	CODE	DESCRIPTION	QTY
125	A08200	SPRING	1
126	A08201	KNOB	1
127	A08202	HEX. SCREW MX14	2
128	A08203	REAR HANDLE	1
129	A08204	LINEAR BEARING	4
130	A08205	RUBBER	2
131	A08206	WOOL WASHER	4
132	A08207	SUPPORT ARM COVER	2
133	A08208	SCREW M4X10	2
134	A08209	SLIDING BAR BRACKET	1
135	A08210	SCREW M6X8	4
SET 6 (136-139)	A08214	BEVEL LOCKING HANDLE ASSEMBLY	1
137	A08212	SPRING	1
138	A08213	BEVEL LOCKING HANDLE	1
140	A08215	WASHER	1
141	A08216	NUT M12	1
142	A08217	WASHER	2
143	A08218	WASHER	2
144	A08219	PIN CAP	1
145	A08220	POINTER	1
146	A08221	SPRING	1
147	A08222	PIN	1
148	A08223	PIN	1



POS.	CODE	DESCRIPTION	QTY
10	A08089	NUT	2
12	A08091	SCREW	1
27	A08102	SCREW M4X8	1
119	A08194	BOLT M8	2
121	A08196	HEX. SCREW M8X30	1
133	A08208	SCREW M4 X 10	1
149	A08224	SCREW M4X8	8
150	A08225	KERF BOARD	1
151	A08226	TURN BASE	1
152	A08227	POINTER	1
153	A08228	BOLT M10X30	1
154	A08229	HEX. SCREW M8X45	1
155	A08230	WASHER	1
156	A08231	ANGLE TRIGGER	1
157	A08232	SCREW M6X25	1
SET 7 (158+159)	A08234	SCALE LABEL	1
160	A08235	PIN	1
161	A08236	PIN	1
162	A08237	SCREW M6X16	1
SET 8 (163-165, 168, 37)	A08240	MITER LOCKING VISE	1
163	A08238	MITER LOCKING HANDLE CAP	1
164	A08239	MITER LOCKING HANDLE	1
166	A08241	BOLT M8X30	1
167	A08242	NUT	1
168	A08243	TURNING TABLE LOCK HANDLE CAP	1
169	A08244	TURNING TABLE LOCK SPRING	1
170	A08245	NUT PLATE	1
171	A08246	ANGLE POSITIONING	1
172	A08247	SPRING	1
173	A08248	TURNING TABLE ANGLE HANDLE	1
174	A08249	SCREW	1
175	A08250	SCREW M8X20	6



POS.	CODE	DESCRIPTION	QTY
3	A08082	SCREW	1
27	A08102	SCREW M4X8	2
104	A08179	SCREW M4X16	1
112	A08187	WASHER	1
175	A08250	SCREW M8X20	4
176	A08251	LABEL	1
177	A08252	EXTENSION FENCE	1
178	A08253	LABEL	1
179	A08254	EXTENSION FENCE	1
180	A08255	SCREW M6X16	1
181	A08256	FENCE	1
182	A08257	SCREW	5
183	A08258	KNOB	2
184	A08259	BACK SUPPORT ROD	1
185	A08260	BASE	1
186	A08261	EXTENSION BAR	2
187	A08262	EXTENSION BAR	2
188	A08263	LEVER	1
189	A08264	EXTENSION BASE	1
190	A08265	SCREW M4X14	4
191	A08266	RUBBER FOOT	4
192	A08267	KNOB	2
193	A08268	NUT	1
194	A08269	LEVER	1
195	A08270	EXTENSION BASE	1
196	A08271	CLAMP	1
197	A08272	WRENCH	1