

FFGROUP®



RH 4-32 PRO

EN

ORIGINAL INSTRUCTIONS

FR

NOTICE ORIGINALE

IT

ISTRUZIONI ORIGINALI

EL

ΠΡΩΤΟΤΥΠΟ ΟΔΗΓΙΩΝ ΧΡΗΣΗΣ

SR

ORIGINALNO UPUTSTVO ZA RAD

HR

ORIGINALNE UPUTE ZA RAD

RO

INSTRUCȚIUNI DE FOLOSIRE ORIGINALE

HU

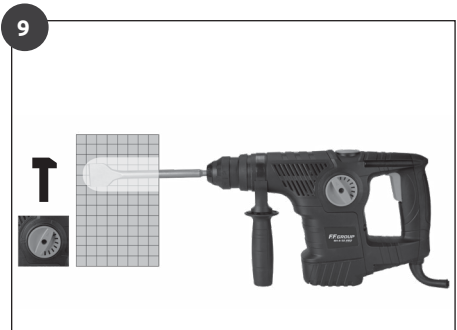
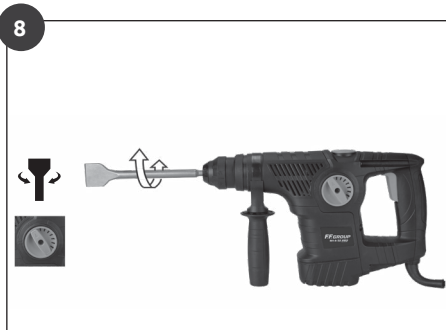
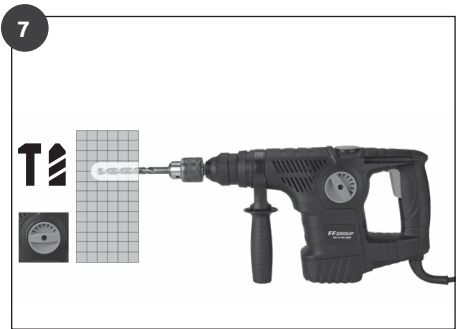
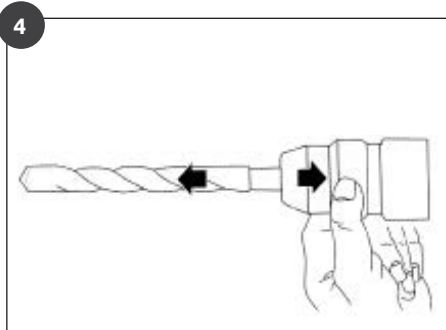
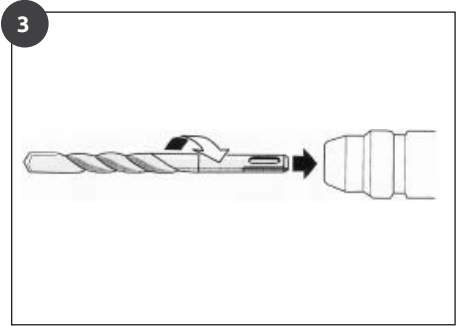
EREDETI UTASÍTÁSOK








LT

ORIGINALIOS INSTRUKCIJOS







EXPLANATION OF SYMBOLS / EXPLICATION DES SYMBOLES / SPIEGAZIONE DEI SIMBOLI / ΕΠΕΞΗΓΗΣΗ ΣΥΜΒΟΛΩΝ / OBJAŠ- NJENJE SIMBOLA / OBJAŠNJENJE SIMBOLA / EXPLICAREA SIMBOLURILOR / SZIMBÓLUMOK JELENTÉSE / SIMBOLIŲ PAAIŠKINIMAS		4
EN	ROTARY HAMMER	8
FR	MARTEAU PERFORATEUR	12
IT	MARTELLLO PERFORATORE	16
EL	ΠΕΡΙΣΤΡΟΦΙΚΟ ΠΙΣΤΟΛΕΤΟ	21
SR	BUŠILICA ČEKIĆ	26
HR	UDARNA BUŠILICA	30
RO	CIOCAN ROTOPERCUTOR	34
HU	FÚRÓKALAPÁCS	38
LT	PERFORATORIUS	42
CE		47





	ENGLISH	FRANÇAIS	ITALIANO	ΕΛΛΗΝΙΚΑ	SRPSKI
	EXPLANATION OF SYMBOLS	EXPLICATION DES SYMBOLES	SPIEGAZIONE DEI SIMBOLI	ΕΠΕΞΗΓΗΣΗ ΣΥΜΒΟΛΩΝ	OBJAŠNJENJE SIMBOLA
	Always read and understand the instructions before operating	Toujours lire et comprendre les instructions avant d'opérer	Leggere e comprendere sempre le istruzioni prima di operare	Διαβάστε και κατανοήστε τις οδηγίες χρήσης πάντα πριν από τη λειτουργία	Uvek pročitajte i razumejte uputstva pre rada
	Always wear appropriate eye and hearing protection when operating	Portez toujours une protection oculaire et auditive appropriée lors de l'utilisation	Indossare sempre protezioni adeguate per gli occhi e l'udito durante il funzionamento	Να χρησιμοποιείτε πάντα κατάλληλη προστασία ματιών και ακοής κατά τη λειτουργία	Uvek nosite odgovarajuću zaštitu za oči i sluh prilikom rada
	Always wear appropriate protective breathing mask when operating	Portez toujours un masque respiratoire protecteur approprié lors de l'opération	Indossare sempre un'adeguata maschera protettiva durante il funzionamento	Να χρησιμοποιείτε πάντα κατάλληλη μάσκα αναπνοής κατά τη λειτουργία	Uvek nosite odgovarajuću zaštitnu masku za disanje prilikom rada
	Always wear appropriate hand protection when operating	Portez toujours une protection appropriée pour les mains lors de l'exploitation	Indossare sempre la protezione della mano appropriata quando si opera	Να χρησιμοποιείτε πάντα κατάλληλη προστασία χεριών κατά τη λειτουργία	Uvek nosite odgovarajuću zaštitu ruku kada radila
	Keep hands and feet clear of rotating parts	Gardez les mains et les pieds éloignés des pièces en rotation	Tenere mani e piedi lontani dalle parti rotanti	Διατηρείτε τα χέρια και τα πόδια σας μακριά από τα περιστρεφόμενα μέρη	Drži ruke i noge dalje od rotirajućih delova
	Do not keep or operate in wet environment	Ne pas conserver ou opérer dans un environnement humide	Non tenere o operare in un ambiente umido	Μη διατηρείτε ή λειτουργείτε σε υγρό περιβάλλον	Ne držite ili ne radite u vlažnom okruženju
	Inspect the power cord regularly for damage. Remove the plug from the mains immediately if the cable is damaged or cut	Vérifiez régulièrement que le cordon d'alimentation afin de vous assurer qu'il ne soit pas endommagé. Débranchez immédiatement la prise si le câble est endommagé ou coupé	Ispezionare regolarmente il cavo di alimentazione per eventuali danni. Rimuovere immediatamente la spina dall'alimentazione se il cavo è danneggiato o tagliato	Επιθεωρείτε συχνά το καλώδιο για φθορές. Αφαιρέστε το καλώδιο από την παροχή ρεύματος σε περίπτωση που έχει υποστεί σοβαρές φθορές ή έχει κοπεί	Redovno pregledavajte kabl za napajanje na oštećenje. Odmah izvadite utikač iz utičnice ako je kabl oštećen ili prerezan

HRVATSKI	ROMĂNĂ	MAGYAR	БЪЛГАРСКИ	LIETUVIŲ K.
OBJAŠNJENJE SIMBOLA	EXPLICAREA SIMBOLURILOR	SZIMBÓLUMOK JELENTÉSE	ОБЯСНЕНИЕ НА СИМВОЛИТЕ	SIMBOLIŲ PAAIŠKINIMAS
Uvijek pročitajte i shvatite upute prije operacije	Citiți și înțelegeți întotdeauna instrucțiunile înainte de a utiliza	Használat előtt mindig olvassa el és értse meg az utasításokat	Винаги четете и разбирайте инструкциите преди работа	Prieš pradėdami dirbti, visada perskaitykite ir supraskite instrukcijas
Tijekom rada uvijek nosite odgovarajuću zaštitu za oči i sluh	Purtați întotdeauna protecție adecvată pentru ochi și auz atunci când operați	Munka közben mindig viseljen megfelelő szem- és hallásvédőt	Винаги носете подходяща защита за очите и слуха, когато работите	Dirbdami visada dėvėkite tinkamas akių ir klausos apsaugos priemonės
Prilikom rada uvijek nosite odgovarajuću zaštitnu masku za disanje	Purtați întotdeauna o mască de respirație de protecție adecvată în timpul	Munka közben mindig viseljen megfelelő légzőmaszkot	Винаги носете подходяща предпазна маска за дишане, когато	Dirbdami visada dėvėkite tinkamą apsauginę kvėpavimo kaukę
Prilikom rada uvijek nosite odgovarajuću zaštitu ruku	Purtați întotdeauna o protecție adecvată a mâinii în timpul funcționării	Munka közben mindig viseljen megfelelő kézvédőt	Винаги носете подходяща защита за ръцете при работа	Dirbdami visada dėvėkite tinkamą rankų apsaugą
Držite ruke i noge dalje od rotirajućih dijelova	Țineți mâinile și picioarele departe de părțile rotative	Kezét és lábát tartsa távol a forgó alkatrészekről	Дръжете ръцете и краката далеч от въртящи се части	Rankas ir kojas laikykite toliau nuo besisukančių dalių
Nemojte držati ili ne raditi u mokrom okruženju	Nu păstrați și nu acționați într-un mediu umed	Ne tárolja és ne működtesse nedves környezetben	Не съхранявайте и не работете в мокра среда	Negalima laikyti ar veikti drėgnoje aplinkoje
Redovito provjeravajte je li kabel za napajanje oštećen. Odmah izvucite utikač iz napajanja ako je kabel oštećen ili prerezan	Inspectați în mod regulat cablul de alimentare să nu prezinte deteriorări. Scoateți imediat ștecherul din priză de rețea, în cazul în care cablul este deterioratsau tăiat	Rendszeresen ellenőrizze a tápkábelt, hogy nem sérült-e. Azonnal húzza ki a dugót a konnektorból, ha a kábel megsérül vagy elvágódott	Редовно проверявайте захранващия кабел за повреди. Незабавно изключвайте щепсела от мрежата, ако кабелът е повреден или срязан	Reguliariai tikrinkite maitinimo laidą, ar nėra pažeidimų. Nedelsdami nuimkite kištuką nuo elektros tinklo, jei kabelis pažeistas arba supjaustytas

	ENGLISH	FRANÇAIS	ITALIANO	ΕΛΛΗΝΙΚΑ	SRPSKI
	EXPLANATION OF SYMBOLS	EXPLICATION DES SYMBOLES	SPIEGAZIONE DEI SIMBOLI	ΕΠΕΞΗΓΗΣΗ ΣΥΜΒΟΛΩΝ	OBJAŠNJENJE SIMBOLA
	Remove unit from electric supply before cleaning, adjusting or maintaining	Retirer l'unité de l'alimentation électrique avant de nettoyer, ajuster ou entretenir	Rimuovere l'unità dall'alimentazione elettrificata prima di pulire, regolare o mantenere	Αφαιρέστε τη μονάδα από την παροχή ηλεκτρικού ρεύματος πριν από τον καθαρισμό, τη ρύθμιση ή τη συντήρηση	Uklanjanje jedinice iz električnog snabdevanja pre čišćenja, prilagođavanja ili održavanja
	Important, danger, warning, or caution	Important, danger ou avertissement	Importante, pericolo o avviso	Σημαντικό, κίνδυνος ή προειδοποίηση	Važno, opasnost ili upozorenje
	Risk of electric shock	Risque de choc électrique	Rischio di scosse elettriche	Κίνδυνος ηλεκτροπληξίας	Rizik od električnog šoka
	Must be recycled and should always be disposed in accordance with applicable directives	Doit être recyclé et doit toujours être éliminé conformément aux directives applicables	Deve essere riciclato e deve essere sempre smaltito secondo le direttive applicabili	Πρέπει να ανακυκλώνεται και πρέπει πάντα να απορρίπτεται σύμφωνα με τις ισχύουσες οδηγίες	Mora se reciklirati i uvek ga treba raspolagati u skladu sa važećim direktivama
	Double insulation	Double insulation	Doppio isolamento	Διπλή μόνωση	Dvostruka izolacija
	Complies with applicable safety directives and relative standards	Conforme aux directives de sécurité applicables et aux normes relatives	Conforme alle direttive di sicurezza applicabili e alle relative norme	Συμμορφώνεται με τις ισχύουσες οδηγίες ασφαλείας και τα σχετικά πρότυπα	U skladu sa važećim bezbednosnim direktivama i relativnim standardima

HRVATSKI	ROMÂNĂ	MAGYAR	БЪЛГАРСКИ	LIETUVIŲ K.
OBJAŠNJENJE SIMBOLA	EXPLICAREA SIMBOLURILOR	SZIMBÓLUMOK JELENTÉSE	ОБЯСНЕНИЕ НА СИМВОЛИТЕ	SIMBOLIŲ PAAIŠKINIMAS
Uklonite jedinicu iz električnog napajanja prije čišćenja, podešavanja ili održavanja	Scoateți unitatea de alimentare electrică înainte de curățare, reglare sau întreținere	Tisztítás, beállítás vagy karbantartás előtt távolítsa el az egységet az elektromos hálózatról	Извадете уреда от електрическото захранване преди почистване, регулиране или поддръжка	Prieš valydami, reguliuodami ar prižiūrėdami, išimkite įrenginį iš elektros tiekimo
Važno, opasnost ili upozorenje	Important, pericol sau avertisment	Fontos, veszély, figyelmeztetés vagy óvatosság	Важно, опасност или Предупреждение	Svarbu, pavojus, įspėjimas ar atsargumas
Rizik od strujnog udara	Risc de electrocutare	Áramütés veszélye	Опасност от токов удар	Elektros smūgio rizika
Mora se reciklirati i uvijek zbrinuti u skladu s važećim direktivama	Trebuie reciclat și trebuie întotdeauna eliminat în conformitate cu directivele aplicabile	Újrahasznosítani kell, és mindig a vonatkozó irányelveknek megfelelően kell ártalmatlanítani	Трябва да се рециклира и винаги да се изхвърля в съответствие с приложимите директиви	Turi būti perdirbtas ir visada turi būti šalinamas pagal taikomas direktyvas
Dvostruka izolacija	Izolație dublă	Dupla szigetelés	Двойна изолация	Dviguba izoliacija
U skladu s primjenjivim sigurnosnim direktivama i relativnim standardima	Respectă directivele de siguranță aplicabile și standardele aferente	Megfelel a vonatkozó biztonsági irányelveknek és a vonatkozó szabványoknak	Съответства на приложимите директиви за безопасност и съответните стандарти	Atitinka taikomas saugos direktyvas ir santykinis standartus

ENGLISH

GENERAL SAFETY WARNINGS

Read and understand this owner's manual before operating this product. You can help prevent accidents by being familiar with your product's controls and by observing safe operating procedures and safety signs. Always use your common sense to avoid all situations considered beyond your capability. Do not use while you are tired or under the influence of drugs, alcohol or any other medication. Keep bystanders and animals that could be hurt, as well as items that could be damaged away, while operating. Never allow children or people unfamiliar with these instructions to use the product. Local laws may restrict the minimum age of the operator. Bear in mind that the operator or user is responsible for accidents or unexpected events occurring to other people, animals or their property. Do not expose the product to excessive moisture, dust, dirt or corrosive vapors. Do not mount equipment or accessories on the machine not foreseen or approved by the manufacturer. Never attempt to modify the product. Non-authorized modifications or accessories can result in serious personal injury or the death of the operator or others. Consult your authorized dealer for disassembly and service, not covered in this manual. If something breaks or an accident occurs while working, turn off the machine immediately and move it away to prevent further damage. In case foreign body has entered the machine, stop it immediately, inspect it for any damage and make repairs before starting it again.

PROTECTIVE EQUIPMENT

Make sure that you use appropriate and certified protective equipment when operating the unit. Always wear clothing which does not hamper movements, protective gloves, goggles, half-mask respirator, ear protection and anti-shear safety boots with non-slip soles. Never wear scarves, necklaces or any hanging or flapping accessory and clothing that could catch in the machine. Tie up your hair if it is long.

FIRE AND BURN HAZARDS

Electric equipment malfunctions can cause sparks which could ignite flammable material.

Make sure that you keep your work area clean and tidy and do not use the machine near flammable material. If a fire occurs, use an appropriate fire extinguisher.

Do not touch rotating parts and the drill tool after working. Some surfaces may become very hot during use and should be allowed time to cool down before touching them.

CATEGORY SAFETY WARNINGS

SAFE OPERATION

All of the operational levers of the machine must move from one position to the other easily and must not need forcing. The electric cables and in particular the main plug cable must be in perfect condition to avoid the generation of any sparks

or the risk of electric shock. The handgrips and protection devices must be clean and dry as well as securely fastened to the machine. Operate the machine with both hands. Make sure that you always use the correct tool for each job in order to avoid machine failure or injury and avoid overloading the machine. The voltage and frequency ratings of the electricity supply must be within the specifications of the machine. Make sure that the machine switch is off when plugging it in, in order to avoid risk due to unintentional starting. Remove any keys and wrenches from the machine before operating.

Make sure that you stop the machine and unplug it from mains:

- ▶ When mounting or removing accessories and tools.
- ▶ Whenever you leave the machine unattended.
- ▶ During cleaning or maintenance.
- ▶ During machine repositioning, transportation or storage.

In case of a malfunction or jam of the machine, switch the machine off immediately and remove it from power source. The machine should not be started again if the jam is not cleared or the malfunction amended, at an authorized service center when needed. The machine could potentially jam when:

- ▶ The power tool is overloaded.
- ▶ The work piece to be machined is jammed.

ELECTRICITY HAZARDS

Make sure that the electric cables of the machine and the mains plug, that it is connected to, are in good condition and not worn. Never use a damaged machine or a machine with damaged or worn electric cables and plugs. Do not expose the machine and the electric cables to wet conditions and never touch when wet. Use a socket outlet with ground contact.

Do not come in contact with grounded surfaces or electric cables, to avoid the risk of electric shock. Do not use the cable to pull the plug out of the socket.

To prevent damage to the power cable, always lead the power cable away from the rear of the machine and protect it from heat, oil and sharp objects. When the machine is to be used outdoors, use only extension cords intended for outdoor use. The cross section of any extension cable must measure at least 1,5mm² and the mains connection must be protected by an appropriate fuse.

ROTATING PARTS HAZARDS

Rotating parts can cause serious injury. Avoid contacting the rotating parts when they are still in rotation and make sure that you keep anything that could be trapped in the operating machine, such as loose hair and clothing, away. Keep your hands away from the machining area when operating the machine.

Work pieces and tools can ricochet and lead to injury and property damage. Make sure that the machine and tools are always in good condition. Use clamps or a vice to hold the work piece firmly in

position. Do not work on items that are too small to securely clamp in place.
Check for correct alignment of moving and rotating parts or other failures that could be a source of danger. A damaged guard or other part should be replaced by an authorized service center before operating the machine.
Do not touch the rotating parts before they come in complete stop.

NOISE AND VIBRATION HAZARDS

The noise and vibration levels shown in these instructions are the maximum levels for use of the machine. Insufficient maintenance has a significant impact on vibration and noise emissions. Consequently, it is necessary to take preventive steps to eliminate possible damage due to high levels of noise and stress from vibration. Maintain the machine well, wear ear protection devices, anti-vibration gloves and take breaks while working. Operating the machine with a stable speed and gripping the handles firmly with suitable force can decrease the vibration level. During a working day, you shall take frequent and adequate breaks to prevent damage from vibration and damage to the ears. Prolonged exposure to vibrations can cause injuries and neurovascular disorders, especially to people suffering from circulation disorders. The symptoms can regard the hands, wrists and fingers and are shown through loss of sensitivity, torpor, itching, pain and discoloring or structural changes to the skin. These effects can be worsened by low ambient temperatures or by gripping the handgrips excessively. If such symptoms occur, the length of time the machine is used must be reduced and a doctor must be consulted.

WORKING AREA HAZARDS

Thoroughly inspect the whole work area and use a rake or yard brush to manually loosen debris and remove anything that could be a hazardous source to you or cause damage to the machine. Keep work area clean and tidy. Do not operate the machine in wet environment conditions or when the machine itself is wet. Keep the machine away from flammable material. Check that there are no bystanders, animal or items that could be damaged within the machine's range of action. Operate only in well ventilated areas. Wood chips and saw dust can be a health hazard when inhaled or when in contact with the eyes. Always wear appropriate half-mask respirator and protective goggles, when working with such materials and use a dust extraction device.

Work only in daylight, or with suitable artificial light, in good visibility conditions. Try not to cause any noise disturbance, by only using this machine at reasonable times of the day.
Take on a firm and well-balanced position. Where possible, avoid working on wet, slippery ground or in any case on uneven or steep ground that does not guarantee stability for the operator.
Storing of tools that are not in use should be done in a dry and safe place away from the operating machine and out of the reach of children.

REMAINING HAZARDS

The machine was built using modern technology and in accordance with recognized safety rules. Even when all safety measures are in place, some remaining hazards, which are not yet evident, may be present. The operator should use common sense and take necessary precautions to avoid risk due to remaining hazards.

PRODUCT SPECIFICATIONS

INTENDED USE

This machine is designed and manufactured for machining work pieces by drilling (e.g. concrete, metal and similar materials) or chiseling (e.g. concrete and similar materials).

Any other use differing from the above-mentioned ones could be hazardous, harm people and/or damage things and the machine itself.

IMPROPER USE

The machine must not be used for machining hazardous materials, e.g. accumulation of inflammable or explosive products and any other object that could be dangerous to the machine itself as well as the operator, bystanders, animals or property.

Other examples of improper use may include, but are not limited, to operation of the machine:

- ▶ Without the original accessories supplied by the manufacturer.
- ▶ With original accessories but in a way not in accordance to the instructions.
- ▶ Without original spare parts.
- ▶ With unauthorized modifications.

NOTE

According to the applicable product liability laws, the manufacturer of the device does not assume liability for damages to the product or damages caused by the product that occurs due to:

- ▶ Improper handling not complied with the operating instructions.
- ▶ Repairs by third parties and not by authorized service technicians.
- ▶ Installation of non-original spare parts.
- ▶ Non-intended use.
- ▶ Electrical system breakdown due to power of the machine in a manner not compliant with the electric and VDE regulations.

TECHNICAL DATA

Article Number		46 609
Model		RH 4-32 PRO
Rated voltage	V	220-240
Rated frequency	Hz	50
Rated power	W	1.300
Rated no load speed	min ⁻¹	0 - 850
Impact rate	min ⁻¹	0 - 4.500
Impact energy	J	4,8

TECHNICAL DATA		
Article Number	46 609	
Model	RH 4-32 PRO	
Chuck type	SDS PLUS	
Net weight	kg	4,7
Max. drilling Ø		
Concrete	mm	32
Sound emission values determined according to EN 60745-1, EN 60745-2-6		
Typically the A-weighted noise levels of the product are:		
Sound pressure level (LpA)	dB(A)	88,4
Sound power level (LWA)	dB(A)	99,4
Uncertainty (K)	dB	3
Vibration total values ah (tri-ax vector sum) and uncertainty K determined according to EN 60745-1, EN 60745-2-6		
Vibration level max:		
Vibration level (ah,HD)	m/s ²	15,5
Uncertainty (K)	m/s ²	1,5

IDENTIFICATION (Fig. 1)

1. Chuck
2. Mode selection knob
3. Operation switch
4. Brush cap
5. Auxiliary handle

OPERATION

PREPARING THE UNIT

Unpacking and completing the assembly should be done on a flat and stable surface, with enough space for moving the machine and its packaging, always making use of suitable equipment.

NOTE

The installed electric motor is completely wired ready for operation. The customer's connection to the power supply system, and any extension cables that may be used, must conform with local regulations. Check electrical connection cables regularly for damage. Make sure the cable is disconnected from the mains when checking. Electrical connection cables must comply with the regulations applicable in your country.

- ▶ The mains voltage must coincide with the voltage specified on the motor's rating plate.
- ▶ Dimension cables up to a length of 25m must have a cross-section of 1,5mm² and beyond 25m at least 2,5mm².

- ▶ The connection to the mains must be protected with an appropriate slow acting fuse.

WARNING

Connect the machine only to a socket with the properly installed ground contact.

Auxiliary handle assembly (Fig. 2)

Position the Auxiliary handle assembly on the sleeve of the machine and rotate its handle to firmly tighten the assembly in place.

Tool assembly (Fig. 3)

Add some grease on the tool's assembly point and push it into the chuck, rotating it if needed, until it locks in position with a click sound.

Tool disassembly (Fig. 4)

Press the chuck in to unlock the tool and pull the tool out to remove it from the chuck.

OPERATING THE UNIT

WARNING

Do not engage the operation switch, while changing between different operation modes.

Starting the unit (Fig. 5)

To start the unit, press the operation switch in. The speed of the machine is also managed by the level of engagement on the operation switch, with maximum speed meaning full engagement.

Stopping the unit (Fig. 6)

To stop the unit, fully disengage the operation switch.

Hammer drill mode (Fig. 7)

To set the unit at hammer drill mode, rotate the mode selection knob (Fig. 1.2) accordingly to the position shown in Fig. 7.

Chisel tool adjustment (Fig. 8)

To adjust the angle of the tip of the chisel tool, set the unit at chisel tool adjustment mode by rotating the mode selection knob accordingly to the position shown in Fig. 8. Engage the operation switch to rotate the chisel tool to desired angle.

Chiseling mode (Fig. 9)

To set the unit at chiseling mode, rotate the mode selection knob accordingly to the position shown in Fig. 9.

Positioning the work piece

As a general rule, use a vice or another suitable clamping device to secure a small work piece in position. Never hold the work piece in place with your hand. Ensure that the work piece cannot rotate. This is best achieved by placing the work piece / machine vice on a sturdy block.

MAINTENANCE AND CLEANING

Every six months to one year (depending on frequency and intensity of use), take your machine to

the nearest service station facility for the following service operations:

- ▶ Lubrication.
- ▶ Brush inspection and replacement.
- ▶ Mechanical inspection and cleaning (gears, bearings, etc.).
- ▶ Electrical inspection (switch, cord, etc.).
- ▶ Testing to assure proper mechanical and electrical operation.

WARNING

For your own safety, turn the switch off and remove plug from power source outlet before any operation of maintenance on the drill press.

Keep your appliance clean. To avoid motor damage, blow out or vacuum frequently this motor to keep drill press dust from interfering with normal motor ventilation.

MOTOR CARBON BRUSHES

Remove and check the motor's carbon brushes regularly. Keep them clean and replace if excessive wear is present.

To replace the carbon brushes:

1. Use a screwdriver to remove the brush holder cap.
2. Take out the worn carbon brushes.
3. Insert the new carbon brushes.

NOTE

Carbon brushes should be replaced in identical pairs, regardless of individual wear.

4. Secure the brush holder cap.

After replacing brushes, plug in the tool and break in brushes by running tool with no load for about 10 minutes. Then check the tool for proper operation and the electric brake for stopping the tool rotation when releasing the switch trigger, according to factory standards.

POWER CORD

To avoid shock or fire hazard, if the power cord is worn or cut, or damaged in any way, have it replaced immediately. Electrical connection cables often suffer insulation damage. Possible causes are:

1. Punch points when connection cables are run through window or door gaps.
2. Kinks resulting from incorrect attachment or laying of the connection cable.
3. Cuts resulting from running over the connecting cable.
4. Insulation damage resulting from forcefully pulling out of the wall socket.
5. Cracks through aging of insulation.

Such defective electrical connection cables must not be used as the insulation damage makes them extremely hazardous.

LUBRICATION

Periodically lubricate moving parts.

CLEANING

Use a small soft brush to clean the outside of the unit. Do not use strong detergents. Household cleaners that contain aromatic oils such as pine and lemon and solvents such as kerosene can

damage plastic housing or handle. Wipe off any moisture with a soft cloth. Remove dust, dirt and machining residues with an appropriate vacuum cleaner if necessary.

STORAGE WARNING

Turn the switch off and remove the plug from power source outlet to store the machine. Store the unit only in dry and well ventilated areas.

In case the unit will be stored for an extended time, use the following storage procedure:

1. Thoroughly clean the unit and inspect for any loose or damaged parts. Repair or replace damaged parts and tighten loose screws, nuts or bolts.
2. Lubricate and apply grease, where required.
3. Store the unit in its original packaging.

ENVIRONMENTAL PROTECTION

Recycle raw materials instead of disposing as waste. Machine, accessories and packaging should be sorted for environment friendly recycling. The plastic components are labeled for categorized recycling.

This product must not be disposed of together with domestic waste in compliance with relative legislation referring to waste of electrical and electronic equipment. This product must be disposed of at a designated collection point. This can occur, for example, by handing it in at an authorized collecting point for the recycling of waste electrical and electronic equipment. Improper handling of waste equipment may have negative consequences for the environment and human health due to potentially hazardous substances that are often contained in electrical and electronic equipment. By properly disposing of this product, you are also contributing to the effective use of natural resources.

You can obtain information on collection points for waste equipment from your municipal administration, public waste disposal authority, an authorized body for the disposal of waste electrical and electronic equipment or your waste disposal company.

WARRANTY

This product is warranted in accordance with the legal / country specific regulations, effective from the date of purchase by the first user. Damage attributable to normal wear and tear, overload or improper handling will be excluded from the warranty. In case of a claim, please send the machine, completely assembled, to your dealer or the official service center.

FRANÇAIS

AVERTISSEMENTS GÉNÉRAUX DE SÉCURITÉ

Lisez et comprenez ce manuel de l'utilisateur avant d'utiliser ce produit. Vous pouvez aider à prévenir les accidents en vous familiarisant avec les commandes de votre produit et en respectant les procédures d'utilisation et les panneaux de sécurité. Utilisez toujours votre bon sens pour éviter toutes les situations considérées au-delà de vos capacités. Ne pas utiliser si vous êtes fatigué ou sous l'influence de drogues, d'alcool ou de tout autre médicament. Gardez à distance les spectateurs et les animaux qui pourraient être blessés, ainsi que les objets qui pourraient être endommagés, pendant le fonctionnement. Ne permettez jamais aux enfants ou aux personnes non familiarisées avec ces instructions d'utiliser le produit. Les lois locales peuvent restreindre l'âge minimum de l'opérateur. Gardez à l'esprit que l'opérateur ou l'utilisateur est responsable des accidents ou des événements imprévus survenant à d'autres personnes, animaux ou à leurs biens. N'exposez pas le produit à une humidité excessive, à la poussière, à la saleté ou aux vapeurs corrosives. Ne montez pas d'équipement ou d'accessoires sur la machine non prévus ou approuvés par le fabricant. N'essayez jamais de modifier le produit. Les modifications ou accessoires non autorisés peuvent entraîner des blessures graves ou la mort de l'opérateur ou d'autres personnes. Consultez votre revendeur agréé pour le démontage et l'entretien, non couverts dans ce manuel. Si quelque chose se brise ou si un accident se produit pendant le travail, éteignez immédiatement la machine et éloignez-la pour éviter d'autres dommages. Si un corps étranger est entré dans la machine, arrêtez-la immédiatement, inspectez-la pour déceler tout dommage et effectuez les réparations avant de la redémarrer.

ÉQUIPEMENT PROTECTEUR

Assurez-vous que vous utilisez un équipement de protection approprié et certifié lors de l'utilisation de l'unité. Portez toujours des vêtements qui ne gênent pas les mouvements, des gants de protection, des lunettes, un demi-masque respiratoire, une protection auditive et des bottes de sécurité anti-cisaillage à semelles antidérapantes. Ne portez jamais d'écharpes, de colliers ou d'accessoires et vêtements suspendus ou flottants qui pourraient se coincer dans la machine. Attachez vos cheveux s'ils sont longs.

RISQUES D'INCENDIE ET DE BRÛLURE

Les dysfonctionnements de l'équipement électrique peuvent provoquer des étincelles qui pourraient enflammer des matériaux inflammables. Assurez-vous de garder votre zone de travail propre et en ordre et n'utilisez pas la machine à proximité de matériaux inflammables. En cas d'incendie, utilisez un extincteur approprié. Ne touchez pas les pièces rotatives et l'outil de forage après avoir travaillé. Certaines surfaces peuvent devenir très chaudes pendant l'utilisation et doivent avoir le temps de refroidir avant de les toucher.

AVERTISSEMENTS DE SÉCURITÉ DE CATÉGORIE

FONCTIONNEMENT SÛR

Tous les leviers de commande de la machine doivent se déplacer facilement d'une position à l'autre et ne doivent pas être forcés. Les câbles électriques et en particulier le câble de la fiche principale doivent être en parfait état pour éviter la génération d'étincelles ou le risque de choc électrique. Les poignées et les dispositifs de protection doivent être propres et secs ainsi que solidement fixés à la machine. Faites fonctionner la machine à deux mains. Assurez-vous que vous utilisez toujours l'outil approprié pour chaque travail afin d'éviter une panne ou des blessures de la machine et éviter de surcharger la machine. Les valeurs nominales de tension et de fréquence de l'alimentation électrique doivent être conformes aux spécifications de la machine. Assurez-vous que l'interrupteur de la machine est éteint lorsque vous le branchez, afin d'éviter les risques dus à un démarrage involontaire. Retirez toutes les clés et clés de la machine avant de l'utiliser.

Assurez-vous d'arrêter la machine et de la débrancher du secteur:

- ▶ Lors du montage ou du retrait d'accessoires et d'outils.
- ▶ Chaque fois que vous laissez la machine sans surveillance.
- ▶ Pendant le nettoyage ou l'entretien.
- ▶ Pendant le repositionnement, le transport ou le stockage de la machine.

En cas de dysfonctionnement ou de bourrage de la machine, éteignez immédiatement la machine et retirez-la de la source d'alimentation. La machine ne doit pas être redémarrée si le bourrage n'est pas éliminé ou le dysfonctionnement corrigé, dans un centre de service agréé si nécessaire. La machine peut potentiellement se bloquer lorsque:

- ▶ La machine est surchargée.
- ▶ La pièce à usiner est bloquée.

DANGERS ÉLECTRIQUES

Assurez-vous que les câbles électriques de la machine et la fiche secteur sur laquelle elle est branchée sont en bon état et non usés. N'utilisez jamais une machine endommagée ou une machine avec des câbles électriques et des prises endommagés ou usés. N'exposez pas la machine et les câbles électriques à des conditions humides et ne les touchez jamais lorsqu'ils sont mouillés. Utilisez une prise de courant avec contact de terre.

Pour éviter d'endommager le câble d'alimentation, éloignez toujours le câble d'alimentation de l'arrière de la machine et protégez-le de la chaleur, de l'huile et des objets tranchants. Lorsque la machine doit être utilisée à l'extérieur, n'utilisez que des rallonges destinées à une utilisation en extérieur. La section transversale de tout câble d'extension doit mesurer au moins 1,5mm² et la connexion au secteur doit être protégée par un fusible approprié.

DANGERS LIÉS AUX PIÈCES EN ROTATION

Les pièces en rotation peuvent provoquer des blessures graves. Évitez tout contact avec les pièces rotatives lorsqu'elles sont encore en rotation et assurez-vous de garder à l'écart tout ce qui pourrait être coincé dans la machine en fonctionnement, comme les cheveux lâches et les vêtements. Gardez vos mains éloignées de la zone d'usinage lorsque vous utilisez la machine.

Les pièces de travail et les outils peuvent ricocher et entraîner des blessures et des dommages matériels. Assurez-vous que la machine et les outils sont toujours en bon état. Utilisez des pinces ou un étau pour maintenir fermement la pièce à travailler. Ne travaillez pas sur des objets trop petits pour être bien fixés en place.

Vérifiez l'alignement correct des pièces mobiles et rotatives ou d'autres défaillances qui pourraient être une source de danger. Une protection ou une autre pièce endommagée doit être remplacée par un centre de service agréé avant d'utiliser la machine.

Ne touchez pas les pièces rotatives avant leur arrêt complet.

RISQUES DE BRUIT ET DE VIBRATION

Les niveaux de bruit et de vibration indiqués dans ces instructions sont les niveaux maximaux pour l'utilisation de la machine. Un entretien insuffisant a un impact significatif sur les émissions de vibrations et de bruit. Par conséquent, il est nécessaire de prendre des mesures préventives pour éliminer les dommages possibles dus à des niveaux élevés de bruit et de stress causés par les vibrations. Maintenez bien la machine, portez des dispositifs de protection de l'oreille, des gants anti-vibrations et prenez des pauses pendant le travail. Le fonctionnement de la machine à une vitesse stable et l'adhérence des poignées fermement avec une force appropriée peuvent diminuer le niveau de vibration. Au cours d'une journée de travail, vous prendrez des pauses fréquentes et adéquates pour éviter les dommages causés par les vibrations et les dommages aux oreilles. Une exposition prolongée aux vibrations peut causer des blessures et des troubles neurovasculaires, en particulier aux personnes souffrant de troubles de la circulation. Les symptômes peuvent tenir compte des mains, des poignets et des doigts et sont montrés par la perte de sensibilité, la torpeur, les démangeaisons, la douleur et la décoloration ou les changements structurels à la peau. Ces effets peuvent être aggravés par de basses températures ambiantes ou par la préhension excessive des poignées de main. Si de tels symptômes se produisent, la durée d'utilisation de la machine doit être réduite et un médecin doit être consulté.

DANGERS DE LA ZONE DE TRAVAIL

Inspectez soigneusement toute la zone de travail et utilisez un râteau ou une brosse de jardin pour décoller manuellement les débris et enlever tout ce qui pourrait être une source dangereuse pour vous ou endommager la machine. Gardez la

zone de travail propre et rangée. N'utilisez pas la machine dans des conditions d'environnement humide ou lorsque la machine elle-même est mouillée. Tenez la machine éloignée des matériaux inflammables. Vérifiez qu'il n'y a pas de spectateurs, d'animaux ou d'articles susceptibles d'être endommagés dans la zone d'action de la machine.

Ne faites fonctionner que dans des zones bien ventilées. Les copeaux et la sciure de bois peuvent constituer un danger pour la santé en cas d'inhalation ou de contact avec les yeux. Portez toujours un demi-masque respiratoire et des lunettes de protection appropriés lorsque vous travaillez avec de tels matériaux et utilisez un dispositif d'extraction de poussière.

Travaillez uniquement à la lumière du jour, ou avec une lumière artificielle appropriée, dans de bonnes conditions de visibilité. Essayez de ne causer aucun bruit, en n'utilisant cette machine qu'à des heures raisonnables de la journée.

Adoptez une position ferme et équilibrée. Dans la mesure du possible, évitez de travailler sur un sol mouillé, glissant ou dans tous les cas sur un sol irrégulier ou escarpé qui ne garantit pas la stabilité de l'opérateur.

Le stockage des outils non utilisés doit être effectué dans un endroit sec et sûr, loin de la machine en fonctionnement et hors de la portée des enfants.

DANGERS RESTANTS

La machine a été construite en utilisant une technologie moderne et conformément aux règles de sécurité reconnues. Même lorsque toutes les mesures de sécurité sont en place, certains dangers restants, qui ne sont pas encore évidents, peuvent être présents. L'opérateur doit faire preuve de bon sens et prendre les précautions nécessaires pour éviter les risques dus aux dangers restants.

SPÉCIFICATIONS DU PRODUIT

UTILISATION PRÉVUE

Cette machine est conçue et fabriquée pour l'usinage de pièces à usiner par perçage (par exemple béton, métal et matériaux similaires) ou par bûrage (par exemple béton et matériaux similaires). Toute autre utilisation différente de celles mentionnées ci-dessus peut être dangereuse, blesser des personnes et / ou endommager des choses et la machine elle-même.

UTILISATION INCORRECTE

La machine ne doit pas être utilisée pour l'usinage de matières dangereuses, par ex. accumulation de produits inflammables ou explosifs et de tout autre objet qui pourrait être dangereux pour la machine elle-même ainsi que pour l'opérateur, les passants, les animaux ou les biens.

D'autres exemples d'utilisation incorrecte peuvent inclure, mais sans s'y limiter, le fonctionnement de la machine:

► Sans les accessoires d'origine fournis par le fabricant.

- ▶ Avec des accessoires d'origine mais d'une manière non conforme aux instructions.
- ▶ Sans pièces de rechange d'origine.
- ▶ Avec des modifications non autorisées.

REMARQUE

Conformément aux lois sur la responsabilité du produit en vigueur, le fabricant de l'appareil n'assume aucune responsabilité pour les dommages au produit ou les dommages causés par le produit en raison de:

- ▶ Manipulation non conforme non conforme aux instructions d'utilisation.
- ▶ Réparations par des tiers et non par des techniciens de service autorisés.
- ▶ Installation de pièces de rechange non originales.
- ▶ Utilisation non conforme.
- ▶ Panne du système électrique due à une alimentation de la machine non conforme aux réglementations électriques et VDE.

DONNÉES TECHNIQUES		
N° d'article	46 609	
Modèle	RH 4-32 PRO	
Tension nominale	V	220-240
Fréquence nominale	Hz	50
Puissance nominale	W	1.300
Vitesse à vide nominale	min ⁻¹	0 - 850
Taux d'impact	min ⁻¹	0 - 4.500
Énergie d'impact	J	4,8
Type de mandrin		SDS PLUS
Poids net	kg	4,7
Max. Ø de perçage		
Béton	mm	32
Valeurs d'émission sonore déterminées selon EN 60745-1, EN 60745-2-6		
En règle générale, les niveaux de bruit pondérés A du produit sont:		
Niveau de pression acoustique (LpA)	dB(A)	88,4
Niveau de puissance sonore (LwA)	dB(A)	99,4
Incertitude (K)	dB	3
Valeurs totales des vibrations ah (somme vectorielle triaxiale) et incertitude K déterminées selon EN 60745-1, EN 60745-2-6		
Niveau de vibration max:		
Niveau de vibration (ah, HD)	m/s ²	15,5
Incertitude (K)	m/s ²	1,5

IDENTIFICATION (Fig. 1)

1. Mandrin
2. Bouton de sélection de mode
3. Commutateur de fonctionnement
4. Bouchon de brosse
5. Poignée auxiliaire

OPÉRATION

PRÉPARATION DE L'UNITÉ

Le déballage et l'achèvement de l'assemblage doivent être effectués sur une surface plane et stable, avec suffisamment d'espace pour déplacer la machine et son emballage, en utilisant toujours un équipement approprié.

REMARQUE

Le moteur électrique installé est entièrement câblé et prêt à fonctionner. La connexion du client au système d'alimentation électrique et les câbles d'extension pouvant être utilisés doivent être conformes aux réglementations locales. Vérifiez régulièrement les câbles de connexion électrique pour détecter tout dommage. Assurez-vous que le câble est débranché du secteur lors de la vérification. Les câbles de raccordement électrique doivent être conformes aux réglementations applicables dans votre pays.

- ▶ La tension du secteur doit coïncider avec la tension indiquée sur la plaque signalétique du moteur.
- ▶ Les câbles de dimension jusqu'à une longueur de 25m doivent avoir une section de 1,5mm² et au-delà de 25m d'au moins 2,5mm².
- ▶ La connexion au secteur doit être protégée par un fusible à action lente approprié.

ATTENTION

Connectez la machine uniquement à une prise avec le contact de terre correctement installé.

Ensemble de poignée auxiliaire (Fig. 2)

Positionnez l'ensemble de poignée auxiliaire sur le manchon de la machine et tournez sa poignée pour serrer fermement l'ensemble en place.

Ensemble d'outils (Fig. 3)

Ajoutez de la graisse sur le point d'assemblage de l'outil et poussez-le dans le mandrin, en le faisant tourner si nécessaire, jusqu'à ce qu'il se verrouille en position avec un déclic.

Démontage de l'outil (Fig. 4)

Appuyez sur le mandrin pour déverrouiller l'outil et tirez l'outil pour le retirer du mandrin.

UTILISATION DE L'UNITÉ

ATTENTION

N'enclenchez pas l'interrupteur de fonctionnement lors du passage d'un mode de fonctionnement à l'autre.

Démarrage de l'unité (Fig. 5)

Pour démarrer l'unité, appuyez sur l'interrupteur de fonctionnement. La vitesse de la machine est également gérée par le niveau d'engagement sur l'interrupteur de fonctionnement, la

vitesse maximale signifiant l'engagement total.

Arrêt de l'unité (Fig. 6)

Pour arrêter l'unité, désengagez complètement l'interrupteur de fonctionnement.

Mode perceuse à percussion (Fig. 7)

Pour régler l'unité en mode perceuse à percussion, tournez le bouton de sélection de mode (Fig.1.2) en fonction de la position indiquée sur la Fig.7.

Réglage de l'outil burin (Fig. 8)

Pour régler l'angle de la pointe de l'outil burin, réglez l'unité sur le mode de réglage de l'outil burin en tournant le bouton de sélection de mode en fonction de la position illustrée à la Fig. 8. Engagez le commutateur de fonctionnement pour faire tourner l'outil burin à l'angle souhaité.

Mode burinage (Fig. 9)

Pour régler l'unité en mode burinage, tournez le bouton de sélection de mode en conséquence jusqu'à la position indiquée sur la Fig.9.

Positionnement de la pièce à usiner

En règle générale, utilisez un étau ou un autre dispositif de serrage approprié pour fixer une petite pièce à usiner en position. Ne tenez jamais la pièce en place avec votre main. Assurez-vous que la pièce à travailler ne peut pas tourner. Le mieux est de placer la pièce à usiner / l'étau de la machine sur un bloc solide.

MAINTENANCE ET NETTOYAGE

Tous les six mois à un an (selon la fréquence et l'intensité d'utilisation), amenez votre machine à la station-service la plus proche pour les opérations de service suivantes:

- ▶ Lubrification.
- ▶ Inspection et remplacement des brosses.
- ▶ Contrôle mécanique et nettoyage (engrenages, roulements, etc.).
- ▶ Inspection électrique (interrupteur, cordon, etc.).
- ▶ Test pour assurer un bon fonctionnement mécanique et électrique.

ATTENTION

Pour votre propre sécurité, éteignez l'interrupteur et retirez la fiche de la prise de courant avant toute opération de maintenance sur la perceuse à colonne. Gardez votre appareil propre. Pour éviter d'endommager le moteur, soufflez ou aspirez fréquemment ce moteur pour éviter que la poussière de la perceuse à colonne n'interfère avec la ventilation normale du moteur.

BROSSES CARBONE MOTEUR

Retirez et vérifiez régulièrement les balais de charbon du moteur. Gardez-les propres et remplacez-les en cas d'usure excessive.

Pour remplacer les balais de charbon:

1. Utilisez un tournevis pour retirer le capuchon du porte-balais.
2. T retirez les balais de charbon usés.
3. Insérez les nouveaux balais de charbon.

REMARQUE

Les balais de charbon doivent être remplacés par paires identiques, quelle que soit l'usure individuelle.

4. Fixez le capuchon du porte-balais.

Après avoir remplacé les brosses, branchez l'outil et brisez les brosses en exécutant l'outil sans charge pendant environ 10 minutes. Vérifiez ensuite le bon fonctionnement de l'outil et le frein électrique pour arrêter la rotation de l'outil lorsque vous relâchez la gâchette de l'interrupteur, conformément aux normes d'usine.

CORDON D'ALIMENTATION

Pour éviter tout risque d'électrocution ou d'incendie, si le cordon d'alimentation est ver, coupé ou endommagé de quelque manière que ce soit, faites-le remplacer immédiatement. Les câbles de connexion électrique subissent souvent des dommages d'isolation. Les causes possibles sont:

1. Points de poinçonnage lorsque les câbles de connexion passent à travers les fentes des fenêtres ou des portes.
2. Les plis résultant d'une mauvaise fixation ou pose du câble de raccordement.
3. Coupures résultant du passage sur le câble de raccordement.
4. Dommages d'isolation résultant d'un retrait forcé de la prise murale.
5. Fissures dues au vieillissement de l'isolant.

Ces câbles de connexion électrique défectueux ne doivent pas être utilisés car les dommages d'isolation les rendent extrêmement dangereux.

LUBRIFICATION

Lubrifiez périodiquement les pièces mobiles.

NETTOYAGE

Utilisez une petite brosse douce pour nettoyer l'extérieur de l'unité. N'utilisez pas de détergents puissants. Les nettoyeurs ménagers contenant des huiles aromatiques telles que le pin et le citron et des solvants tels que le kérosène peuvent endommager le boîtier ou la poignée en plastique. Essayez toute trace d'humidité avec un chiffon doux. Retirez la poussière, la saleté et les résidus d'usinage avec un aspirateur approprié si nécessaire.

ESPACE DE RANGEMENT

ATTENTION

Éteignez l'interrupteur et retirez la fiche de la prise de courant pour ranger la machine. Stockez l'appareil uniquement dans des zones sèches et bien ventilées.

Au cas où l'appareil serait stocké pendant une période prolongée, utilisez la procédure de stockage suivante:

1. Nettoyez soigneusement l'unité et inspectez les pièces détachées ou endommagées. Réparez ou remplacez les pièces endommagées et serrez les vis, écrous ou boulons desserrés.
2. Lubrifiez et appliquez de la graisse, si nécessaire.
3. Stockez l'appareil dans son emballage d'origine.

PROTECTION ENVIRONNEMENTALE

Recyclez les matières premières au lieu de les éliminer comme déchets. La machine, les accessoires et l'emballage doivent être triés pour un recyclage respectueux de l'environnement. Les composants en plastique sont étiquetés pour un recyclage catégorisé.

Ce produit ne doit pas être jeté avec les déchets ménagers conformément à la législation relative aux déchets d'équipements électriques et électroniques. Ce produit doit être éliminé dans un point de collecte désigné. Cela peut se produire, par exemple, en le déposant dans un point de collecte agréé pour le recyclage des déchets d'équipements électriques et électroniques. Une mauvaise manipulation des équipements usagés peut avoir des conséquences négatives pour l'environnement et la santé humaine en raison des substances potentiellement dangereuses qui sont souvent contenues dans les équipements électriques et électroniques. En vous débarrassant correctement de ce produit, vous contribuez également à une utilisation efficace des ressources naturelles.

Vous pouvez obtenir des informations sur les points de collecte des déchets d'équipements auprès de votre administration municipale, de l'autorité publique d'élimination des déchets, d'un organisme agréé pour l'élimination des déchets d'équipements électriques et électroniques ou de votre entreprise d'élimination des déchets.

GARANTIE

Ce produit est garanti conformément aux réglementations légales / nationales, en vigueur à compter de la date d'achat par le premier utilisateur. Les dommages attribuables à l'usure normale, à la surcharge ou à une mauvaise manipulation seront exclus de la garantie. En cas de réclamation, veuillez envoyer la machine, complètement assemblée, à votre revendeur ou au centre de service officiel.

ITALIANO

AVVERTENZE GENERALI DI SICUREZZA

Leggere e comprendere il manuale del proprietario prima di utilizzare questo prodotto. Puoi aiutare a prevenire gli incidenti acquisendo familiarità con i controlli del tuo prodotto e osservando procedure operative sicure e segnali di sicurezza. Usa sempre il tuo buon senso per evitare tutte le situazioni considerate al di là delle tue capacità. Non utilizzare in caso di stanchezza o sotto l'effetto di droghe, alcol o altri farmaci. Tenere lontani gli astanti e gli animali che potrebbero ferirsi, nonché gli oggetti che potrebbero essere danneggiati durante il funzionamento. Non consentire mai a bambini o persone che non hanno familiarità con queste istruzioni di utilizzare il prodotto. Le leggi locali possono limitare l'età minima dell'operatore. Tenere presente che l'operatore o l'utente è responsabile di incidenti o eventi imprevisti che si verificano ad altre persone, animali o loro proprietà. Non esporre il prodotto a umidità eccessiva, polvere, sporco o vapori corrosivi. Non montare sulla macchina apparecchiature o accessori non previsti o approvati dal costruttore. Non tentare mai di modificare il prodotto. Modifiche o accessori non autorizzati possono provocare gravi lesioni personali o la morte dell'operatore o di altri. Consultare il proprio rivenditore autorizzato per lo smontaggio e l'assistenza, non trattati in questo manuale. Se qualcosa si rompe o si verifica un incidente durante il lavoro, spegnere immediatamente la macchina e allontanarla per evitare ulteriori danni. Nel caso in cui un corpo estraneo sia entrato nella macchina, fermarla immediatamente, ispezionarla per eventuali danni ed eseguire le riparazioni prima di riavviarla.

ATTREZZATURA DI PROTEZIONE

Assicurarsi di utilizzare dispositivi di protezione appropriati e certificati durante il funzionamento dell'unità. Indossare sempre indumenti che non ostacolino i movimenti, guanti protettivi, occhiali, respiratore a semimaschera, protezioni per le orecchie e stivali di sicurezza antitaglio con suola antiscivolo. Non indossare mai scarpe, collane o accessori e indumenti appesi o svolazzanti che potrebbero impigliarsi nella macchina. Lega i capelli se sono lunghi.

RISCHI DI INCENDI E USTIONI

I malfunzionamenti delle apparecchiature elettriche possono causare scintille che potrebbero incendiare materiale infiammabile.

Assicurati di mantenere la tua area di lavoro pulita e in ordine e non usare la macchina vicino a materiale infiammabile. In caso di incendio, utilizzare un estintore appropriato.

Non toccare le parti rotanti e il trapano dopo il lavoro. Alcune superfici possono diventare molto calde durante l'uso e attendere che si raffreddino prima di toccarle.

CATEGORIA AVVERTENZE DI SICUREZZA

FUNZIONAMENTO SICURO

Tutte le leve di manovra della macchina devono spostarsi facilmente da una posizione all'altra e non devono essere forzate. I cavi elettrici ed in particolare il cavo della spina principale devono essere in perfetto stato per evitare la generazione di scintille o il rischio di scosse elettriche. Le impugnature e i dispositivi di protezione devono essere puliti e asciutti nonché fissati saldamente alla macchina. Azionare la macchina con entrambe le mani. Assicurarsi di utilizzare sempre l'utensile corretto per ogni lavoro al fine di evitare guasti o lesioni alla macchina ed evitare di sovraccaricare la macchina. I valori di tensione e frequenza dell'alimentazione elettrica devono rientrare nelle specifiche della macchina. Assicurarsi che l'interruttore della macchina sia spento quando si inserisce la spina, per evitare rischi dovuti ad avviamenti accidentali. Rimuovere chiavi e chiavi dalla macchina prima di metterla in funzione.

Assicurarsi di spegnere la macchina e di scollegarla dalla rete:

- ▶ Durante il montaggio o la rimozione di accessori e strumenti.
- ▶ Ogni volta che si lascia la macchina incustodita.
- ▶ Durante la pulizia o la manutenzione.
- ▶ Durante il riposizionamento, il trasporto o lo stoccaggio della macchina.

In caso di malfunzionamento o inceppamento della macchina, spegnere immediatamente la macchina e rimuoverla dall'alimentazione. La macchina non deve essere riavviata se l'inceppamento non è stato eliminato o il malfunzionamento modificato, presso un centro di assistenza autorizzato quando necessario. La macchina potrebbe potenzialmente incepparsi quando:

- ▶ La macchina è sovraccarica.
- ▶ Il pezzo da lavorare è bloccato.

RISCHI ELETTRICI

Verificare che i cavi elettrici della macchina e la spina di alimentazione a cui è collegata siano in buono stato e non usurati. Non utilizzare mai una macchina danneggiata o una macchina con cavi elettrici e spine danneggiati o usurati. Non esporre la macchina e i cavi elettrici a condizioni di umidità e non toccare mai se bagnati. Utilizzare una presa di corrente con contatto a terra. Non entrare in contatto con superfici messe a terra o cavi elettrici, per evitare il rischio di scosse elettriche. Non utilizzare il cavo per estrarre la spina dalla presa.

Per evitare danni al cavo di alimentazione, allontanare sempre il cavo di alimentazione dalla parte posteriore della macchina e proteggerlo da calore, olio e oggetti appuntiti. Quando la macchina deve essere utilizzata all'aperto, utilizzare solo prolunghe destinate all'uso esterno. La sezione trasversale di qualsiasi cavo di prolunga deve misurare almeno 1,5mm² e il collegamento alla rete deve essere protetto da un fusibile appropriato.

PERICOLI DA PARTI ROTANTI

Le parti rotanti possono causare lesioni gravi. Evitare di entrare in contatto con le parti rotanti quando sono ancora in rotazione e assicurarsi di tenere lontano tutto ciò che potrebbe essere intrappolato nella macchina operatrice, come capelli sciolti e indumenti. Tenere le mani lontane dall'area di lavorazione durante il funzionamento della macchina.

I pezzi da lavorare e gli strumenti possono rimbalzare e causare lesioni e danni alla proprietà. Assicurarsi che la macchina e gli strumenti siano sempre in buone condizioni. Utilizzare morsetti o una morsa per tenere saldamente in posizione il pezzo da lavorare. Non lavorare su oggetti troppo piccoli per essere fissati saldamente in posizione. Verificare il corretto allineamento delle parti in movimento e rotanti o altri guasti che potrebbero essere fonte di pericolo. Una protezione o altra parte danneggiata deve essere sostituita da un centro di assistenza autorizzato prima di utilizzare la macchina.

Non toccare le parti rotanti prima che si siano completamente fermate.

RISCHI DI RUMORE E VIBRAZIONI

I livelli di rumore e vibrazione indicati in queste istruzioni sono i livelli massimi per l'uso della macchina. Una manutenzione insufficiente ha un impatto significativo sulle vibrazioni e sulle emissioni sonore. Di conseguenza, è necessario adottare misure preventive per eliminare possibili danni dovuti ad alti livelli di rumore e stress da vibrazioni. Mantenere bene la macchina, indossare dispositivi di protezione dell'orecchio, guanti antivibrazione e fare pause durante il lavoro. Il funzionamento della macchina con una velocità stabile e l'aderenza salda delle maniglie con forza adeguata possono ridurre il livello di vibrazione. Durante una giornata lavorativa, è necessario fare pause frequenti e adeguate per evitare danni da vibrazioni e danni alle orecchie. L'esposizione prolungata alle vibrazioni può causare lesioni e disturbi neurovascolari, specialmente alle persone che soffrono di disturbi della circolazione. I sintomi possono riguardare le mani, i polsi e le dita e sono mostrati attraverso la perdita di sensibilità, torpore, prurito, dolore e cambiamenti scolorimenti o strutturali alla pelle. Questi effetti possono essere peggiorati dalle basse temperature ambientali o afferando eccessivamente le impugnature. Se si verificano tali sintomi, il periodo di tempo in cui viene utilizzata la macchina deve essere ridotto e un medico deve essere consultato.

PERICOLI DELL'AREA DI LAVORO

Ispezionare accuratamente l'intera area di lavoro e utilizzare un rastrello o una spazzola da giardino per rimuovere manualmente i detriti e rimuovere tutto ciò che potrebbe essere una fonte pericolosa per l'utente o causare danni alla macchina. Mantenere l'area di lavoro pulita e in ordine. Non utilizzare la macchina in condizioni di ambiente umido o quando la macchina stessa è bagnata. Tenere la macchina lontana da materiale infiam-

mabile. Verificare che non vi siano astanti, animali o oggetti che potrebbero essere danneggiati nel raggio d'azione della macchina.

Operare solo in aree ben ventilate. Truciolì e segatura possono rappresentare un pericolo per la salute se inalati o a contatto con gli occhi. Indossare sempre un respiratore a semimaschera appropriato e occhiali protettivi quando si lavora con tali materiali e utilizzare un dispositivo di aspirazione della polvere.

Lavorare solo alla luce del giorno, o con luce artificiale adeguata, in condizioni di buona visibilità. Cerca di non causare alcun disturbo del rumore, utilizzando questa macchina solo in orari ragionevoli della giornata.

Assumi una posizione ferma ed equilibrata. Evitare ove possibile di lavorare su terreno bagnato, sdrucciolevole o comunque su terreno irregolare o scosceso che non garantisce stabilità all'operatore. La conservazione degli strumenti non utilizzati deve essere effettuata in un luogo asciutto e sicuro, lontano dalla macchina in funzione e fuori dalla portata dei bambini.

RISCHI RESIDUI

Questa macchina è progettata e costruita per la lavorazione di pezzi da lavorare mediante foratura (ad esempio cemento, metallo e materiali simili) o scalpellatura (ad esempio cemento e materiali simili).

Ogni altro utilizzo diverso da quelli sopra indicati potrebbe essere pericoloso, arrecare danno a persone e / o cose e alla macchina stessa.

SPECIFICHE DEL PRODOTTO

USO PREVISTO

Questa macchina è progettata e costruita per la lavorazione di pezzi da lavorare mediante foratura (ad esempio cemento, metallo e materiali simili) o scalpellatura (ad esempio cemento e materiali simili).

Ogni altro utilizzo diverso da quelli sopra indicati potrebbe essere pericoloso, arrecare danno a persone e / o cose e alla macchina stessa.

USO IMPROPRIO

La macchina non deve essere utilizzata per la lavorazione di materiali pericolosi, ad es. accumulo di prodotti infiammabili o esplosivi e qualsiasi altro oggetto che possa essere pericoloso per la macchina stessa nonché per l'operatore, le persone presenti, gli animali o le cose.

Altri esempi di uso improprio possono includere, ma non sono limitati, al funzionamento della macchina:

- ▶ Senza gli accessori originali forniti dal produttore.
- ▶ Con accessori originali ma in modo non conforme alle istruzioni.
- ▶ Senza ricambi originali.
- ▶ Con modifiche non autorizzate.

NOTA

Secondo le leggi sulla responsabilità del prodotto applicabili, il produttore del dispositivo non si assume alcuna responsabilità per danni al prodotto o danni causati dal prodotto che si verificano a causa di:

- ▶ Uso improprio non rispettate le istruzioni per l'uso.
- ▶ Riparazioni da parte di terzi e non da tecnici dell'assistenza autorizzati.
- ▶ Installazione di parti di ricambio non originali.
- ▶ Uso non previsto.
- ▶ Guasto all'impianto elettrico dovuto all'alimentazione della macchina in modo non conforme alle normative elettriche e VDE.

DATI TECNICI		
Numéro de l'article		46 609
Modello		RH 4-32 PRO
Tensione nominale	V	220-240
Frequenza nominale	Hz	50
Potenza nominale	W	1.300
Nominale nessuna velocità di carico	min ⁻¹	0 - 850
Tasso d'impatto	min ⁻¹	0 - 4.500
Energia d'impatto	J	4,8
Tipo chuck		SDS PLUS
peso netto	kg	4,7
Max. perforazione Ø		
Calcestruzzo	mm	32
Valori di emissione sonori determinati secondo la norma EN 60745-1, EN 60745-2-6		
In genere i livelli di rumore ponderati A del prodotto sono:		
Livello di pressione sonora (LpA)	dB(A)	88,4
Livello di potenza sonora (LwA)	dB(A)	99,4
Incertezza (K)	dB	3
Valori totali delle vibrazioni ah (somma vettoriale trix) e incertezza K determinati secondo EN 60745-1, EN 60745-2-6		
Livello di vibrazione massimo:		
Livello di vibrazione (ah, HD)	m/s ²	15,5
Incertezza (K)	m/s ²	1,5

IDENTIFICAZIONE (FIG. 1)

1. Gettare
2. Manopola di selezione della modalità
3. Interruttore di funzionamento
4. Cappuccio pennello
5. Maniglia ausiliaria

OPERAZIONE

PREPARAZIONE DELL'UNITÀ

Il disimballaggio e il completamento dell'assemblaggio devono essere eseguiti su una superficie piana e stabile, con spazio sufficiente per spostare la macchina e il suo imballaggio, facendo sempre uso di attrezzature adeguate.

NOTA

Il motore elettrico installato è completamente cablato pronto per il funzionamento. Il collegamento del cliente al sistema di alimentazione e gli eventuali cavi di estensione che possono essere utilizzati devono essere conformi alle normative locali. Controllare regolarmente i cavi di collegamento elettrico per eventuali danni. Assicurarsi che il cavo sia scollegato dalla rete durante il controllo. I cavi di collegamento elettrici devono essere conformi alle normative applicabili nel tuo paese.

- ▶ La tensione di rete deve coincidere con la tensione specificata sulla piastra di valutazione del motore.
- ▶ I cavi di quota fino a una lunghezza di 25 m devono avere una sezione trasversale di 1,5 mm² e oltre 25 m almeno 2,5 mm².
- ▶ Il collegamento alla rete deve essere protetto con un fusibile ad azione lenta appropriato.

AVVERTIMENTO

Collegare la macchina solo a una presa con il contatto di terra correttamente installato.

Gruppo maniglia ausiliario (Fig. 2)

Posizionare l'assieme della maniglia ausiliaria sul manico della macchina e ruotate la maniglia per stringere saldamente l'assieme in posizione.

Montaggio utensili (Fig. 3)

Aggiungere del grasso sul punto di assemblaggio dell'utensile e spingerlo nel mandrino, ruotarlo se necessario, fino a quando non si blocca in posizione con un suono di clic.

Smontaggio utensile (Fig. 4)

Premere il mandrino per sbloccare l'utensile ed estrarre l'utensile per rimuoverlo dal mandrino.

FUNZIONAMENTO DELL'UNITÀ

AVVERTIMENTO

Non attivare l'interruttore di funzionamento, passando da una modalità di funzionamento all'altra.

Avvio dell'unità (Fig. 5)

Per avviare l'unità, premere l'interruttore di funzionamento. La velocità della macchina è gestita anche dal livello di coinvolgimento sull'interruttore di funzionamento, con la massima velocità che significa pieno coinvolgimento.

Arresto dell'unità (Fig. 6)

Per arrestare l'unità, sganciare completamente l'interruttore di funzionamento.

Modalità trapano a martello (Fig. 7)

Per impostare l'unità in modalità trapano a martello, ruotare la manopola di selezione della modalità

(Fig. 1.2) in base alla posizione mostrata nella fig. 7.

Regolazione dell'utensile a scalpello (Fig. 8)

Per regolare l'angolo della punta dell'utensile scalpello, impostare l'unità in modalità di regolazione dell'utensile a scalpello ruotando la manopola di selezione della modalità in base alla posizione mostrata nella fig. 8. Attivate l'interruttore di funzionamento per ruotare l'utensile scalpello all'angolo desiderato.

Modalità scalpello (Fig. 9)

Per impostare l'unità in modalità scalpellamento, ruotare la manopola di selezione della modalità in base alla posizione mostrata nella fig. 9.

Posizionamento del pezzo in 16

Come regola generale, utilizzare una morsa o un altro dispositivo di bloccaggio adatto per fissare un piccolo pezzo in posizione. Non tenere mai il pezzo in posizione con la mano. Assicurarsi che il pezzo in orario non possa ruotare. Questo si ottiene al meglio posizionando la morsa pezzo / macchina su un blocco robusto.

MANUTENZIONE E PULIZIA

Ogni sei mesi a un anno (a seconda della frequenza e dell'intensità di utilizzo), portare la macchina alla struttura della stazione di servizio più vicina per le seguenti operazioni di assistenza:

- ▶ lubrificazione.
- ▶ Ispezione e sostituzione della spazzola.
- ▶ Ispezione meccanica e pulizia (ingranaggi, cuscinetti, ecc.).
- ▶ Ispezione elettrica (interruttore, cavo, ecc.).
- ▶ Test per garantire il corretto funzionamento meccanico ed elettrico.

AVVERTIMENTO

Per la propria sicurezza, spegnere l'interruttore e rimuovere la spina dalla presa di corrente prima di qualsiasi operazione di manutenzione sul trapano a colonna. Mantieni pulito il tuo apparecchio. Per evitare danni al motore, soffiare o aspirare frequentemente questo motore per evitare che la polvere del trapano a colonna interferisca con la normale ventilazione del motore.

SPAZZOLE IN CARBONIO MOTORE

Rimuovere e controllare regolarmente le spazzole in carbone del motore. Tenerli puliti e sostituirli se è presente un'usura eccessiva.

Per sostituire le spazzole di carbone:

1. Utilizzare un cacciavite per rimuovere il cappuccio del portaspazzole.
2. Estrarre le spazzole di carbone usurate.
3. Inserire le nuove spazzole di carbone.

NOTA

Le spazzole di carbone dovrebbero essere sostituite in coppie identiche, indipendentemente dall'usura individuale.

4. Fissare il cappuccio del portaspazzole.

Dopo aver sostituito le spazzole, collegare lo strumento e rompere le spazzole eseguendo lo strumento senza carico per circa 10 minuti. Quindi control-

lare il corretto funzionamento dell'utensile e il freno elettrico per arrestare la rotazione dell'utensile quando si rilascia il grilletto dell'interruttore, secondo gli standard di fabbrica.

CAVO DI ALIMENTAZIONE

Per evitare scosse elettriche o incendi, se il cavo di alimentazione è danneggiato, tagliato o danneggiato in qualsiasi modo, farlo sostituire immediatamente. I cavi di collegamento elettrico spesso subiscono danni all'isolamento. Le possibili cause sono:

1. Punzonare i punti quando i cavi di collegamento passano attraverso le fessure di finestre o porte.
2. Attorcigliamenti dovuti a collegamento o posa errati del cavo di collegamento.
3. Tagli derivanti dallo scorrere sul cavo di collegamento.
4. Danni all'isolamento causati dall'estrazione forzata dalla presa a muro.
5. Crepe dovute all'invecchiamento dell'isolamento.

Tali cavi di collegamento elettrico difettosi non devono essere utilizzati in quanto i danni all'isolamento li rendono estremamente pericolosi.

LUBRIFICAZIONE

Lubrificare periodicamente le parti in movimento.

PULIZIA

Utilizzare una piccola spazzola morbida per pulire l'esterno dell'unità. Non utilizzare detergenti aggressivi. I detergenti per la casa che contengono oli aromatici come pino e limone e solventi come il cherosene possono danneggiare l'involucro o il manico in plastica. Rimuovere l'umidità con un panno morbido. Rimuovere polvere, sporco e residui di lavorazione con un aspirapolvere appropriato se necessario.

CONSERVAZIONE

AVVERTIMENTO

Spegnere l'interruttore e rimuovere la spina dalla presa di corrente per riporre la macchina. Conservare l'unità solo in aree asciutte e ben ventilate.

Nel caso in cui l'unità venga conservata per un periodo di tempo prolungato, utilizzare la seguente procedura di conservazione:

1. Pulire accuratamente l'unità e ispezionare eventuali parti allentate o danneggiate. Riparare o sostituire le parti danneggiate e serrare viti, dadi o bulloni allentati.
2. Lubrificare e applicare grasso, se necessario.
3. Conservare l'unità nella sua confezione originale.

PROTEZIONE AMBIENTALE

Ricicla le materie prime invece di smaltirle come rifiuti. La macchina, gli accessori e l'imballaggio devono essere selezionati per il riciclaggio rispettoso dell'ambiente. I componenti in plastica sono etichettati per il riciclaggio classificato.

Questo prodotto non deve essere smaltito in-

sieme ai rifiuti domestici in conformità alla normativa relativa ai rifiuti di apparecchiature elettriche ed elettroniche. Questo prodotto deve essere smaltito presso un punto di raccolta designato. Ciò può avvenire, ad esempio, consegnandolo presso un punto di raccolta autorizzato per il riciclaggio di apparecchiature elettriche ed elettroniche. La manipolazione impropria dei rifiuti di apparecchiature può avere conseguenze negative per l'ambiente e la salute umana a causa di sostanze potenzialmente pericolose che sono spesso contenute nelle apparecchiature elettriche ed elettroniche. Smaltendo correttamente questo prodotto, contribuisce anche all'uso efficace delle risorse naturali.

È possibile ottenere informazioni sui punti di raccolta delle apparecchiature di scarto dall'amministrazione comunale, dall'autorità pubblica per lo smaltimento dei rifiuti, da un ente autorizzato per lo smaltimento dei rifiuti di apparecchiature elettriche ed elettroniche o dalla società di smaltimento dei rifiuti.

GARANZIA

Questo prodotto è garantito in conformità con le normative legali / specifiche del paese, in vigore dalla data di acquisto da parte del primo utente. I danni attribuibili alla normale usura, sovraccarico o uso improprio saranno esclusi dalla garanzia. In caso di reclamo, inviare la macchina, completamente assemblata, al proprio rivenditore o al centro di assistenza ufficiale.

ΕΛΛΗΝΙΚΑ

ΓΕΝΙΚΕΣ ΠΡΟΕΙΔΟΠΟΙΗΣΕΙΣ ΑΣΦΑΛΕΙΑΣ

Διαβάστε και κατανοήστε αυτό το εγχειρίδιο κατόχου προτού θέσετε σε λειτουργία το παρόν μηχανήμα. Μπορείτε να αποφύγετε ατυχήματα αν είστε εξοικειωμένοι με τα χειριστήρια του προϊόντος και τηρώντας τις ασφαλείς διαδικασίες λειτουργίας. Χρησιμοποιείτε πάντα κοινή λογική σκέψη ώστε να αποφύγετε να βρεθείτε σε κατάσταση πέρα των δυνατοτήτων σας. Μη χρησιμοποιείτε το προϊόν όταν είστε κουρασμένοι ή υπό την επίδραση ναρκωτικών, αλκοόλ ή άλλων φαρμακευτικών σκευασμάτων. Κρατείστε παιδιά και τυχόν παρευρισκόμενους μακριά κατά τη λειτουργία του μηχανήματος. Μη επιτρέψετε σε παιδιά ή όσους δεν είναι εξοικειωμένοι με τις οδηγίες χρήσης να χρησιμοποιήσουν το μηχανήμα. Η τοπική νομοθεσία είναι πιθανόν να ορίζει κατώτατη ηλικία χρήστη. Πάντα να θυμάστε πως ο χειριστής ή χρήστης είναι υπεύθυνος για ατυχήματα ή απόρροια γεγονότα που τυχόν προκληθούν κατά τη λειτουργία σε άλλους ανθρώπους, ζώα ή την περιοχή τους. Μη εκθέτετε το προϊόν σε υπερβολική υγρασία, σκόνη, βρωμιά ή διαβρωτικούς ατμούς. Μη προσαρμόζετε στο μηχανήμα εξοπλισμό ή αξεσουάρ που μη εγκεκριμένα από τον κατασκευαστή. Ποτέ μη επιχειρήσετε να τροποποιήσετε το προϊόν. Μη εξουσιοδοτημένες τροποποιήσεις ή αξεσουάρ μπορεί να οδηγήσουν σε σοβαρό τραυματισμό ή θάνατο του χειριστή ή άλλων. Συμβουλευτείτε τον εξουσιοδοτημένο αντιπρόσωπό σας για αποσυμφορήσεις και επισκευή, που δεν καλύπτεται σε αυτό το εγχειρίδιο. Εάν κάτι σπάσει ή συμβεί ατύχημα κατά τη διάρκεια της εργασίας, απενεργοποιήστε αμέσως το μηχανήμα και μετακινήστε το για να αποφύγετε περαιτέρω ζημιές. Σε περίπτωση που ένα ξένο σώμα εισέλθει στο μηχανήμα, σταματήστε το αμέσως, επιθεωρήστε το για τυχόν ζημιές και πραγματοποιήστε επισκευές προτού το ξαναρχίσετε.

ΠΡΟΣΤΑΤΕΥΤΙΚΟΣ ΕΞΟΠΛΙΣΜΟΣ

Να χρησιμοποιείτε πάντα σχετικό και εγκεκριμένο προστατευτικό εξοπλισμό όταν χρησιμοποιείτε το μηχανήμα. Να φοράτε πάντα ρουχισμό που δεν περιορίζει τις κινήσεις σας, προστατευτικά γάντια, γυαλιά, μάσκα αναπνοής, προστατευτικό εξοπλισμό ακοής και μπότες προστασίας με σόλες υψηλής πρόσφυσης. Να μην φοράτε κασκόλ, κολλή ή οπουδήποτε αξεσουάρ που κρέμεται ή περισσεύει και θα μπορούσε να παγιδευτεί στο μηχανήμα. Μαζέψτε τα μαλλιά σας αν είναι μακριά.

ΚΙΝΔΥΝΟΙ ΠΡΟΚΛΗΣΗΣ ΠΥΡΚΑΓΙΑΣ ΚΑΙ ΕΓΚΑΥΜΑΤΟΣ

Δυσλειτουργίες ηλεκτρικού εξοπλισμού μπορεί να προκαλέσουν σπινθήρες που θα μπορούσαν να αναφλέξουν εύφλεκτα υλικά. Βεβαιωθείτε ότι διατηρείτε την περιοχή εργασίας σας καθαρή και τακτοποιημένη και μην χρησιμοποιείτε το μηχανήμα κοντά σε εύφλεκτα υλικά. Σε περίπτωση πυρκαγιάς, χρησιμοποιήστε τον κατάλληλο πυροσβεστήρα.

Μην αγγίζετε τα περιστρεφόμενα μέρη και το εργαλείο κοπής μετά την εργασία. Ορισμένες επιφάνειες μπορεί να ζεσταθούν πολύ κατά τη χρήση και θα πρέπει να δοθεί χρόνος για να κρυώσουν πριν τις αγγίξετε.

ΠΡΟΕΙΔΟΠΟΙΗΣΕΙΣ ΑΣΦΑΛΕΙΑΣ ΚΑΤΗΓΟΡΙΑΣ

ΑΣΦΑΛΗΣ ΛΕΙΤΟΥΡΓΙΑ

Όλοι οι μοχλοί λειτουργίας του μηχανήματος πρέπει να μετακινούνται εύκολα μεταξύ των θέσεων τους και να μη κλείζονται πίεση. Τα ηλεκτρικά καλώδια και ειδικά το καλώδιο της παροχής πρέπει να είναι σε άριστη κατάσταση για αποφυγή σπινθήρων ή του ρίσκου ηλεκτροσόκ. Οι χειρολαβές και οι προστασίες του μηχανήματος πρέπει να είναι καθαρές, στεγνές και επαρκώς σφιγμένες στις θέσεις τους στο μηχανήμα. Χειριστές το μηχανήμα και με τα δύο χέρια. Βεβαιωθείτε ότι χρησιμοποιείτε πάντα το σωστό εργαλείο για κάθε εργασία, προκειμένου να αποφύγετε βλάβη του μηχανήματος ή τραυματισμό και αποφύγετε την υπερφόρτωση του μηχανήματος. Οι τιμές τάσης και συχνότητας της παροχής ηλεκτρικής ενέργειας πρέπει να είναι εντός των προδιαγραφών του μηχανήματος. Βεβαιωθείτε ότι ο διακόπτης του μηχανήματος είναι σβησμένος όταν το συνδέετε στη πρίζα, προκειμένου να αποφύγετε τυχόν κίνδυνο λόγω ακούσιας εκκίνησης. Αφαιρέστε τυχόν κλειδιά και εργαλεία από το μηχανήμα πριν από τη λειτουργία.

Σιγουρευτείτε πως έχετε σταματήσει το μηχανήμα και πως το έχετε αποσυνδέσει από την παροχή ρεύματος:

- Όταν προσαρμόζετε ή αφαιρείτε αξεσουάρ.
- Όποτε αφήνετε το μηχανήμα χωρίς επίβλεψη.
- Κατά τον καθαρισμό ή τη συντήρησή.
- Κατά την αλλαγή θέσεως, μεταφορά ή αποθήκευση του μηχανήματος.

Σε περίπτωση δυσλειτουργίας ή εμπλοκής του μηχανήματος, απενεργοποιήστε αμέσως το μηχανήμα και αφαιρέστε το από την πηγή τροφοδοσίας. Το μηχανήμα δεν πρέπει να ξεκινήσει ξανά εάν δεν επιλυθεί η εμπλοκή ή η δυσλειτουργία, σε εξουσιοδοτημένο κέντρο σέρβις, όταν χρειάζεται. Το μηχανήμα ενδέχεται να μπλοκάρει όταν:

- Το μηχανήμα υπερφορτωθεί.
- Το αντικείμενο προς κατεργασία μπλοκαριστεί.

ΚΙΝΔΥΝΟΙ ΗΛΕΚΤΡΙΣΜΟΥ

Βεβαιωθείτε ότι τα ηλεκτρικά καλώδια του μηχανήματος και η πρίζα, στην οποία είναι συνδεδεμένο, είναι σε καλή κατάσταση και δεν έχουν φθαρεί. Μη χρησιμοποιείτε ποτέ ένα μηχανήμα με βλάβη ή ένα μηχανήμα με καεστραμμένα ή φθαρμένα ηλεκτρικά καλώδια και βύσματα. Μη εκθέτετε το μηχανήμα και τα ηλεκτρικά καλώδια σε υγρές συνθήκες και μην αγγίζετε ποτέ όταν είναι βρεγμένο. Χρησιμοποιήστε μια πρίζα με επαφή γείωσης. Μην έρχεστε σε επαφή με γειωμένες επιφάνειες ή ηλεκτρικά καλώδια, για να αποφύγετε τον κίνδυνο ηλεκτροπληξίας. Μη χρησιμοποιείτε το καλώδιο

για να τραβήξετε το βύσμα από την πρίζα.
Για να αποφύγετε τυχόν ζημιά στο καλώδιο τροφοδοσίας, οδηγείτε πάντα το καλώδιο τροφοδοσίας μακριά από το πίσω μέρος του μηχανήματος και προστατεύετε το από θερμότητα, λάδι και αιχμηρά αντικείμενα. Όταν το μηχάνημα πρόκειται να χρησιμοποιηθεί σε εξωτερικούς χώρους, χρησιμοποιήστε μόνο καλώδια επέκτασης που προορίζονται για εξωτερική χρήση. Η διατομή οποιουδήποτε καλωδίου επέκτασης πρέπει να είναι τουλάχιστον 1,5mm² και η σύνδεση δικτύου πρέπει να προστατεύεται από κατάλληλη ασφάλεια.

ΚΙΝΔΥΝΟΙ ΠΕΡΙΣΤΡΕΦΟΜΕΝΩΝ ΜΕΡΩΝ

Τα περιστρεφόμενα μέρη μπορεί να προκαλέσουν σοβαρό τραυματισμό. Αποφύγετε να έρθετε σε επαφή με τα περιστρεφόμενα μέρη όταν βρίσκονται ακόμη σε περιστροφή και βεβαιωθείτε ότι διατηρείτε μακριά οτιδήποτε μπορεί να παγιδευτεί στο εν λειτουργία μηχάνημα, όπως χαλαρά μαλλιά και ρούχα. Κρατήστε τα χέρια σας μακριά από την περιοχή μηχανικής επεξεργασίας κατά τη λειτουργία του μηχανήματος.

Τα αντικείμενα προς κατεργασία και τα εργαλεία μπορούν να εξοστρακισθούν και να προκαλέσουν τραυματισμό και υλικές ζημιές. Βεβαιωθείτε ότι το μηχάνημα και τα εργαλεία είναι πάντα σε καλή κατάσταση. Χρησιμοποιήστε σφιγκτήρες ή μέγγενη για να κρατήσετε το αντικείμενο προς κατεργασία σταθερά στη θέση του. Μην εργάζεστε σε αντικείμενα που είναι πολύ μικρά για να στερεωθούν με ασφάλεια στη θέση τους. Ελέγξτε ότι είναι σωστή η ευθυγράμμιση κινούμενων και περιστρεφόμενων εξαρτημάτων και για τυχόν αστοχίες που θα μπορούσαν να αποτελέσουν πηγή κινδύνου. Ένας προφυλακτήρας ή άλλο μέρος με ζημιά πρέπει να αντικατασταθεί από εξουσιοδοτημένο κέντρο σέρβις πριν από τη λειτουργία του μηχανήματος. Μην αγγίζετε τα περιστρεφόμενα μέρη πριν σταματήσουν τελείως.

ΚΙΝΔΥΝΟΙ ΘΟΡΥΒΟΥ ΚΑΙ ΔΟΝΗΣΕΩΝ

Τα επίπεδα θορύβου και δονήσεων που αναφέρονται στις οδηγίες χρήσης είναι τα μέγιστα για τη χρήση του μηχανήματος. Μη επαρκής συντήρηση έχει σημαντικό αντίκτυπο στις εκπεμπόμενες δονήσεις και στο θόρυβο. Επομένως, είναι απαραίτητο να λαμβάνετε προληπτικά μέτρα για να εξαλείψετε πιθανό κίνδυνο λόγω υψηλού επιπέδου δονήσεων ή θορύβου. Να διατηρείται το μηχάνημα σε καλή κατάσταση, να φοράτε προστασία ακοής, γάντια προστασίας από τις δονήσεις και να κάνετε διαλείμματα κατά την εργασία. Το να λειτουργείτε το μηχάνημα σε σταθερή ταχύτητα και να κρατάτε τα χειριστήρια με καλή και επαρκώς δύναμη λαβή μπορεί να ελαττώσει το επίπεδο δονήσεων. Κατά τη διάρκεια μιας μέρας εργασίας, θα πρέπει να κάνετε συχνά και επαρκή διαλείμματα για να αποφύγετε τυχόν ζημιά λόγω δονήσεων και βλάβη ακοής. Παρατεταμένη έκθεση σε δονήσεις μπορεί να

προκαλέσει τραυματισμούς και νεύρο-αγγειακές διαταραχές, ειδικά σε άτομα που πάσχουν από διαταραχές του κυκλοφορικού. Τα συμπτώματα μπορεί να αφορούν τα χέρια, τους καρπούς και τα δάχτυλα και εμφανίζονται μέσω απώλειας ευαισθησίας, νέκρωσης αίσθησης, κνησμό, πόνο και αποχρωματισμό ή δομικές αλλαγές του δέρματος. Τα παραπάνω μπορεί να επιδεινωθούν υπό χαμηλές περιβαλλοντολογικές συνθήκες ή όταν πίνετε τις χειρολαβές υπερβολικά σφικτά. Εάν εμφανιστούν τα συμπτώματα, ο χρόνος που χρησιμοποιείται το μηχάνημα πρέπει να μειωθεί και να συμβουλευτείτε έναν γιατρό.

ΚΙΝΔΥΝΟΙ ΣΧΕΤΙΚΟΙ ΜΕ ΤΗΝ ΠΕΡΙΟΧΗ ΕΡΓΑΣΙΑΣ

Επιθεωρήστε διεξοδικά ολόκληρο το χώρο εργασίας και χρησιμοποιήστε μια τσουγκράνα ή σκούπα για να χαλαρώσετε τυχόν υπολείμματα και να αφαιρέσετε οτιδήποτε μπορεί να αποτελέσει πηγή κινδύνου για εσάς ή να προκαλέσει βλάβη στο μηχάνημα. Διατηρείτε το χώρο εργασίας καθαρό και τακτοποιημένο. Μη χρησιμοποιείτε το μηχάνημα σε υγρές συνθήκες περιβάλλοντος ή όταν το ίδιο το μηχάνημα είναι βρεγμένο. Διατηρείτε το μηχάνημα μακριά από εύφλεκτα υλικά. Ελέγξτε ότι δεν υπάρχουν παρευρισκόμενοι, κατοικίδια ζώα ή αντικείμενα που θα μπορούσαν να υποστούν ζημιά στο εύρος της περιοχής εργασίας του μηχανήματος. Λειτουργήστε μόνο σε καλά αεριζόμενους χώρους. Τα ρινίσματα και η σκόνη πριονιού μπορεί να είναι επικίνδυνα για την υγεία όταν εισπνέονται ή έρχονται σε επαφή με τα μάτια. Να φοράτε πάντα κατάλληλη προστατευτική μάσκα αναπνοής και προστατευτικά γυαλιά όταν εργάζεστε με τέτοια υλικά και χρησιμοποιήστε μια συσκευή εξαγωγής σκόνης. Εργαστείτε μόνο κατά τη διάρκεια της ημέρας ή με καλό τεχνητό φως σε καλές συνθήκες ορατότητας. Προσπαθήστε να μην προκαλέσετε αναταραχή λόγω θορύβου, χρησιμοποιώντας το μηχάνημα μόνο σε λογικές ώρες της ημέρας. Διατηρείτε γερή και καλής ισορροπίας θέση εργασίας. Όπου είναι δυνατόν, αποφύγετε να εργάζεστε σε υγρό, ολισθηρό έδαφος ή σε κάθε περίπτωση σε ανώμαλο ή απότομο έδαφος που δεν εγγυάται σταθερότητα για τον χειριστή. Η αποθήκευση εργαλείων που δεν χρησιμοποιούνται πρέπει να γίνεται σε ξηρό και ασφαλές μέρος μακριά από το εν λειτουργία μηχάνημα και εκτός πρόσβασης για τα παιδιά.

ΕΝΑΠΟΜΕΙΝΑΝΤΕΣ ΚΙΝΔΥΝΟΙ

Το μηχάνημα κατασκευάστηκε χρησιμοποιώντας σύγχρονη τεχνολογία και σύμφωνα με αναγνωρισμένους κανόνες ασφαλείας. Ακόμη και όταν εφαρμόζονται όλα τα μέτρα ασφαλείας, ενδέχεται να υπάρχουν ορισμένοι εναπομείναντες κίνδυνοι, οι οποίοι δεν είναι ακόμη εμφανείς. Ο χειριστής πρέπει να χρησιμοποιεί την κοινή λογική και να λαμβάνει τις απαραίτητες προφυλάξεις για να αποφύγει τον κίνδυνο λόγω τυχόν εναπομείναντων κινδύνων.

ΠΡΟΔΙΑΓΡΑΦΕΣ ΠΡΟΪΟΝΤΟΣ

ΠΡΟΒΛΕΠΟΜΕΝΗ ΧΡΗΣΗ

Αυτό το μηχανήμα έχει σχεδιαστεί και κατασκευαστεί για κατεργασία αντικειμένων μέσω διάτρησης (π.χ. σκυρόδεμα, μέταλλο και παρόμοια υλικά) ή καλέμισμα (π.χ. σκυρόδεμα και παρόμοια υλικά).

Κάθε διαφορετική χρήση από τις παραπάνω αναφερόμενες θα μπορούσε να είναι επικίνδυνη, να προκαλέσει βλάβη σε ανθρώπους ή/και ζημιά σε υλικά και το μηχανήμα.

ΜΗ ΠΡΟΒΛΕΠΟΜΕΝΗ ΧΡΗΣΗ

Το μηχανήμα δεν πρέπει να χρησιμοποιηθεί για να κατεργαστείτε επικίνδυνα υλικά όπως εύφλεκτα ή εκρηκτικά είδη και τυχόν άλλα αντικείμενα που θα μπορούσαν να είναι επικίνδυνα για το μηχανήμα καθώς και για τον χειριστή, παρευρισκόμενους, ζώα ή περιουσίες.

Παραδείγματα μη προβλεπόμενης χρήσης μπορεί να περιλαμβάνουν, αλλά δεν περιορίζονται στη χρήση του μηχανήματος:

- ▶ Χωρίς γνήσια εξαρτήματα που παρέχονται από τον κατασκευαστή.
- ▶ Με γνήσια εξαρτήματα αλλά με τρόπο που δεν είναι σύμφωνος με τις οδηγίες.
- ▶ Χωρίς γνήσια ανταλλακτικά.
- ▶ Με μη εξουσιοδοτημένες τροποποιήσεις.

ΣΗΜΕΙΩΣΗ

Σύμφωνα με τους ισχύοντες νόμους περί ευθύνης προϊόντος, ο κατασκευαστής της συσκευής δεν αναλαμβάνει ευθύνη για ζημιές στο προϊόν ή ζημιές που προκλήθηκαν από το προϊόν που οφείλονται σε:

- ▶ Λανθασμένο χειρισμό μη σύμφωνο με τις οδηγίες χρήσης.
- ▶ Επισκευές από τρίτους και όχι από εξουσιοδοτημένους τεχνικούς σέρβις.
- ▶ Εγκατάσταση μη γνήσιων ανταλλακτικών.
- ▶ Μη προβλεπόμενη χρήση.
- ▶ Βλάβη ηλεκτρικού συστήματος λόγω τροφοδοσίας του μηχανήματος κατά τρόπο που δεν συμμορφώνεται με τους ηλεκτρικούς κανονισμούς VDE και DIN.

ΠΙΝΑΚΑΣ ΤΕΧΝΙΚΩΝ ΧΑΡΑΚΤΗΡΙΣΤΙΚΩΝ		
Αριθμός προϊόντος	46 609	
Μοντέλο	RH 4-32 PRO	
Ονομαστική τάση	V	220-240
Ονομαστική συχνότητα	Hz	50
Ονομαστική ισχύς	W	1.300
Ονομαστική ταχύτητα χωρίς φορτίο	min ⁻¹	0 - 850
Αριθμός κρούσεων	min ⁻¹	0 - 4.500
Ενέργεια κρούσης	J	4,8
Τύπος τασόκ	SDS PLUS	

ΠΙΝΑΚΑΣ ΤΕΧΝΙΚΩΝ ΧΑΡΑΚΤΗΡΙΣΤΙΚΩΝ		
Αριθμός προϊόντος	46 609	
Μοντέλο	RH 4-32 PRO	
Καθαρό βάρος	kg	4,7
Μέγιστη διάμετρος τρυπήματος		
Σκυρόδεμα	mm	32
Τιμές εκπομπής θορύβου, υπολογισμένες κατά EN 60745-1, EN 60745-2-6		
Η χαρακτηριστική στάθμη θορύβου του μηχανήματος σύμφωνα με την καμπύλη A ανέρχεται σε:		
Στάθμη ακουστικής πίεσης (L _{pA})	dB(A)	88,4
Στάθμη ακουστικής ισχύος (L _{wA})	dB(A)	99,4
Αβεβαιότητα (K)	dB	3
Συνολικές τιμές κραδασμών ah (άθροισμα ανυσμάτων τριών κατευθύνσεων) και αβεβαιότητα K κατά EN 60745-1, EN 60745-2-6		
Μέγιστο επίπεδο δονήσεων:		
Επίπεδα δονήσεων (ah, HD)	m/s ²	15,5
Αβεβαιότητα (K)	m/s ²	1,5

ΤΑΥΤΟΠΟΙΗΣΗ ΜΕΡΩΝ (ΕΙΚ. 1)

1. Τσोक
2. Επιλογέας λειτουργίας
3. Διακόπτης λειτουργίας
4. Κηπάκι ψηφιακό
5. Βοηθητική λαβή

ΛΕΙΤΟΥΡΓΙΑ

ΠΡΟΕΤΟΙΜΑΖΟΝΤΑΣ ΤΟ ΜΗΧΑΝΗΜΑ

Η αποσυσκευασία και η συναρμολόγηση πρέπει να γίνονται σε επίπεδη και σταθερή επιφάνεια, με επαρκή χώρο για τη μετακίνηση του μηχανήματος και της συσκευασίας του και με τη χρήση κατάλληλου εξοπλισμού.

ΣΗΜΕΙΩΣΗ

Ο εγκατεστημένος ηλεκτροκινητήρας είναι πλήρως συνδεδεμένος και έτοιμος για λειτουργία. Η σύνδεση με το σύστημα τροφοδοσίας και τυχόν καλώδια επέκτασης που μπορεί να χρησιμοποιηθούν, πρέπει να συμμορφώνονται με τους τοπικούς κανονισμούς. Ελέγχετε τακτικά τα καλώδια ηλεκτρικής σύνδεσης για ζημιές. Βεβαιωθείτε ότι το καλώδιο αποσυνδέθηκε από το δίκτυο κατά τον έλεγχο. Τα καλώδια ηλεκτρικής σύνδεσης πρέπει να συμμορφώνονται με τους κανονισμούς που ισχύουν στη χώρα σας.

- ▶ Η τάση δικτύου πρέπει να συμπίπτει με την τάση που καθορίζεται στην πινακίδα τύπου του

κινητήρα.

- ▶ Καλώδια διαστάσεων έως 25m σε μήκος πρέπει να έχουν διατομή 1,5mm² και πέραν των 25m τουλάχιστον 2,5mm².
- ▶ Η σύνδεση με το δίκτυο πρέπει να προστατεύεται με κατάλληλη ασφάλεια αργής δράσης.

ΠΡΟΕΙΔΟΠΟΙΗΣΗ

Συνδέστε το μηχάνημα μόνο σε μια πρίζα με τη σωστά εγκατεστημένη επαφή γείωσης.

Συναρμολόγηση βοηθητικής λαβής (Εικ. 2)

Τοποθετήστε τη βοηθητική λαβή στο περίβλημα του μηχανήματος και περιστρέψτε για να σφίξετε σταθερά το συγκρότημα στη θέση του.

Συναρμολόγηση εργαλείων (Εικ. 3)

Προσθέστε λίγο γράσο στο σημείο συναρμολόγησης του εργαλείου και σπρώξτε το στο τσοκ, περιστρέφοντάς το αν χρειαστεί, έως ότου ασφαλίσει στη θέση του με ήχο κλικ.

Αποσυναρμολόγηση εργαλείων (Εικ. 4)

Πατήστε το τσοκ για να ξεκλειδώσετε το εργαλείο και τραβήξτε το εργαλείο για να το αφαιρέσετε από το τσοκ.

ΛΕΙΤΟΥΡΓΩΝΤΑΣ ΤΟ ΜΗΧΑΝΗΜΑ ΠΡΟΕΙΔΟΠΟΙΗΣΗ

Μην ενεργοποιείτε το διακόπτη λειτουργίας, ενώ αλλάζετε μεταξύ διαφορετικών λειτουργιών.

Εκκινώντας το μηχάνημα (Εικ. 5)

Για να ξεκινήσετε τη μονάδα, πατήστε το διακόπτη λειτουργίας. Η ταχύτητα του μηχανήματος επιλέγεται από το επίπεδο εμπλοκής στο διακόπτη λειτουργίας, με μέγιστη ταχύτητα να σημαίνει πλήρη εμπλοκή.

Σταματώντας το μηχάνημα (Εικ. 6)

Για να σταματήσετε τη μονάδα, προχωρήστε σε απεμπλοκή του διακόπτη λειτουργίας.

Λειτουργία κρουστικού τρυπανιού (Εικ. 7)

Για να θέσετε τη μονάδα σε λειτουργία κρουστικού τρυπανιού, περιστρέψτε το κουμπί επιλογής λειτουργίας (Εικ. 1.2) ανάλογα στη θέση που φαίνεται στο Σχ. 7.

Ρύθμιση εργαλείου καλεμίσματος (Εικ. 8)

Για να ρυθμίσετε τη γωνία του άκρου του εργαλείου καλεμίσματος, θέστε τη μονάδα σε λειτουργία ρύθμισης εργαλείου σμίλης περιστρέφοντας το κουμπί επιλογής λειτουργίας ανάλογα στη θέση που φαίνεται στο Σχ. 8. Ενεργοποιήστε το διακόπτη λειτουργίας για να περιστρέψετε το εργαλείο σμίλης στην επιθυμητή γωνία.

Λειτουργία καλεμίσματος (Εικ. 9)

Για να θέσετε τη μονάδα σε λειτουργία σμίλης, περιστρέψτε το κουμπί επιλογής λειτουργίας ανάλογα στη θέση που φαίνεται στο Σχ. 9.

Τοποθετώντας το προς επεξεργασία αντικείμενο

Κατά γενικό κανόνα, χρησιμοποιήστε μια μέγκενη ή άλλη κατάλληλη συσκευή σύσφιξης

για να στερεώσετε ένα μικρό αντικείμενο στη θέση του. Ποτέ μην κρατάτε το αντικείμενο προς επεξεργασία στη θέση του με το χέρι σας. Βεβαιωθείτε ότι το αντικείμενο δεν μπορεί να περιστραφεί. Αυτό επιτυγχάνεται καλύτερα με την τοποθέτηση του αντικειμένου / της μηχανής σε ένα ανθεκτικό μπλοκ.

ΣΥΝΤΗΡΗΣΗ ΚΑΙ ΚΑΘΑΡΙΣΜΟΣ

Κάθε έξι μήνες έως ένα έτος (ανάλογα με τη συχνότητα και την ένταση της χρήσης), μεταφέρετε το μηχανήμα σας στο πλησιέστερο σημείο σερβις για τις ακόλουθες εργασίες συντήρησης:

- ▶ Λίπανση.
- ▶ Έλεγχος και αντικατάσταση ψηκτρών
- ▶ Μηχανική επιθεώρηση και καθαρισμός (γρανάζια, ρουλεμάν κ.λπ.).
- ▶ Έλεγχος ηλεκτρικών (διακόπτης, καλώδιο κ.λπ.).
- ▶ Δοκιμή για διασφάλιση της σωστής μηχανικής και ηλεκτρικής λειτουργίας.

ΠΡΟΕΙΔΟΠΟΙΗΣΗ

Για δική σας ασφάλεια, απενεργοποιήστε το μηχάνημα μέσω του διακόπτη και αφαιρέστε το βύσμα από την πρίζα πριν από οποιαδήποτε λειτουργία συντήρησης στο μηχάνημα.

Διατηρήστε τη συσκευή σας καθαρή. Για να αποφύγετε την υπερθέρμανση του κινητήρα, ελέγχετε τακτικά τα ανοίγματα αέρα για τυχόν σκόνη.

ΨΗΚΤΡΕΣ ΚΙΝΗΤΗΡΑ

Αφαιρέστε και ελέγχετε τακτικά τις ψήκτρες του κινητήρα. Διατηρήστε τις καθαρές και αντικαταστήστε εάν υπάρχει υπερβολική φθορά.

Για να αντικαταστήσετε τις ψήκτρες:

1. Χρησιμοποιήστε ένα καταβίδι για να αφαιρέσετε το κάλυμμα των ψηκτρών.
2. Βγάλτε τις φθαρμένες ψήκτρες.
3. Εισάγετε τις καινούργιες ψήκτρες.

ΣΗΜΕΙΩΣΗ

Οι ψήκτρες πρέπει να αντικαθίστανται σε πανομοιότυπα ζεύγη, ανεξάρτητα από τη μεμονωμένη φθορά.

4. Ασφαλίστε το κάλυμμα των ψηκτρών.

Αφού αντικαταστήσετε τις ψήκτρες, συνδέστε το εργαλείο στην παροχή και "στρώστε" τις χρησιμοποιώντας το εργαλείο χωρίς φορτίο για περίπου 10 λεπτά. Στη συνέχεια, ελέγξτε το εργαλείο για σωστή λειτουργία και το ηλεκτρικό φρένο για διακοπή της περιστροφής του εργαλείου κατά την απελευθέρωση της σκανδάλης του διακόπτη, σύμφωνα με τα εργοστασιακά πρότυπα.

ΚΑΛΩΔΙΟ ΤΡΟΦΟΔΟΣΙΑΣ

Για να αποφύγετε τον κίνδυνο ηλεκτροσόκ ή πυρκαγιάς, εάν το καλώδιο τροφοδοσίας είναι φθαρμένο ή κομμένο ή έχει υποστεί ζημιά με οποιοδήποτε τρόπο, αντικαταστήστε το αμέσως. Τα καλώδια ηλεκτρικής σύνδεσης συχνά παθαίνουν ζημιά μόνωσης. Πιθανές αιτίες είναι:

1. Διάρθρωση όταν τα καλώδια σύνδεσης περνούν μέσω κενών σε παράθυρα ή πόρτες.
2. Τρόσχιση από περιστροφή που προκύπτει από εσφαλμένη σύνδεση ή τοποθέτηση του

- καλωδίου σύνδεσης.
3. Κοψίματα που προκύπτουν όταν το καλώδιο σύνδεσης πατηθεί.
 4. Ζημιά μόνωσης που προκύπτει από την βίαιη έξοδο του βύσματος από την πρίζα.
 5. Ρυγμές λόγω γήρανσης της μόνωσης. Τέτοια ελαττωματικά καλώδια ηλεκτρικής σύνδεσης δεν πρέπει να χρησιμοποιούνται καθώς η ζημιά μόνωσης τα καθιστά εξαιρετικά επικίνδυνα.

ΛΙΠΑΝΣΗ

Λιπάνετε περιοδικά τα κινούμενα μέρη.

ΚΑΘΑΡΙΣΜΟΣ

Χρησιμοποιήστε μια μικρή μαλακή βούρτσα για να καθαρίσετε το εξωτερικό του μηχανήματος. Μην χρησιμοποιείτε ισχυρά απορρυπαντικά. Τα οικιακά καθαριστικά που περιέχουν αρωματικά έλαια όπως πεύκο και λεμόνι και διαλύτες όπως κηροζίνη μπορούν να προκαλέσουν ζημιά στο πλαστικό περίβλημα ή στη λαβή. Σκουπίστε τυχόν υγρασίες με ένα μαλακό πανί. Αφαιρέστε σκόνη, βρωμιά και κατάλοιπα κατεργασίας με κατάλληλη σκούπα αναρρόφησης αν είναι απαραίτητα.

ΑΠΟΘΗΚΕΥΣΗ

ΠΡΟΕΙΔΟΠΟΙΗΣΗ

Κλείστε τον διακόπτη και αφαιρέστε το φινι από την πρίζα για να αποθηκεύσετε το μηχάνημα. Αποθηκεύστε τη μονάδα μόνο σε ξηρούς και καλά αεριζόμενους χώρους.

Σε περίπτωση που η μονάδα θα αποθηκευτεί για μεγάλο χρονικό διάστημα, χρησιμοποιήστε την ακόλουθη διαδικασία αποθήκευσης:

1. Καθαρίστε σχολαστικά τη μονάδα και ελέγξτε για τυχόν χαλαρά ή κατεστραμμένα μέρη. Επισκευάστε ή αντικαταστήστε τα μέρη που έχουν ζημιά και σφίξτε τις χαλαρές βίδες, τα παξιμάδια ή τους κοχλίες.
2. Λιπάνετε και εφαρμόστε γράσο, όπου απαιτείται.
3. Αποθηκεύστε τη μονάδα στην εργοστασιακή της συσκευασία.

ΠΡΟΣΤΑΣΙΑ ΤΟΥ ΠΕΡΙΒΑΛΛΟΝΤΟΣ

Ανακυκλώστε τις πρώτες ύλες αντί να τις απορρίψετε. Το μηχάνημα, τα αξεσουάρ και οι συσκευασίες πρέπει να ταξινομούνται για φιλική προς το περιβάλλον ανακύκλωση. Τα πλαστικά εξαρτήματα επισμαίνονται για κατηγοριοποιημένη ανακύκλωση.

Αυτό το προϊόν δεν πρέπει να απορρίπτεται μαζί με οικιακά απόβλητα σύμφωνα με τη σχετική νομοθεσία που αναφέρεται σε απόβλητα ηλεκτρικού και ηλεκτρονικού εξοπλισμού. Αυτό το προϊόν πρέπει να απορριφθεί σε καθορισμένο σημείο συλλογής. Αυτό μπορεί να συμβεί, για παράδειγμα, παραδίδοντάς το σε εξουσιοδοτημένο σημείο συλλογής για την ανακύκλωση απορριμμάτων ηλεκτρικού και ηλεκτρονικού εξοπλισμού. Ο ακατάλληλος χειρισμός απορριμμάτων εξοπλισμού μπορεί να έχει αρνητικές συνέπειες για το περιβάλλον και

την ανθρώπινη υγεία λόγω δυνητικά επικίνδυνων ουσιών που συχνά περιέχονται σε ηλεκτρικό και ηλεκτρονικό εξοπλισμό. Με τη σωστή απόρριψη αυτού του προϊόντος, συμβάλλετε επίσης στην αποτελεσματική χρήση των φυσικών πόρων. Μπορείτε να λάβετε πληροφορίες σχετικά με τα σημεία συλλογής απορριμμάτων από τη δημοτική σας διοίκηση, τη δημόσια αρχή διάθεσης απορριμμάτων, έναν εξουσιοδοτημένο φορέα για τη διάθεση απορριμμάτων ηλεκτρικού και ηλεκτρονικού εξοπλισμού ή την εταιρεία διάθεσης αποβλήτων.

ΕΓΓΥΗΣΗ

Αυτό το προϊόν είναι εγγυημένο σύμφωνα με τους νόμους / ειδικούς κανονισμούς ανά χώρα, από την ημερομηνία αγοράς του από τον χρήστη. Ζημιές που οφείλονται σε φυσιολογική φθορά, υπερφόρτωση ή ακατάλληλο χειρισμό θα εξαιρεθούν από την εγγύηση. Σε περίπτωση αξίωσης, στείλτε το μηχάνημα, πλήρως συναρμολογημένο, στον αντιπρόσωπό σας ή στο επίσημο κέντρο σέρβις.

SRPSKI

OPŠTA BEZBEDNOSNA UPOZORENJA

Pročitajte i razumete uputstvo ovog vlasnika pre rada ovog proizvoda. Možete da sprečite nezgode tako što ćete biti upoznati sa kontrolama proizvoda i pridržavanjem bezbednih operativnih procedura i bezbednosnih znakova. Uvek koristite zdrav razum da izbegnete sve situacije koje se smatraju izvan vaše mogućnosti. Nemojte koristiti dok ste umorni ili pod uticajem droga, alkohola ili bilo kojih drugih lekova. Zadržite prolaznike i životinje koje bi mogle biti povređene, kao i predmete koji bi mogli biti oštećeni, dok rade. Nikada ne dozvolite deci ili osobama koje nisu upoznate sa ovim uputstvima da koriste proizvod. Lokalni zakoni mogu da ograniče minimalnu starosnu granicu operatera. Imajte na umu da je operater ili korisnik odgovoran za nesreće ili neočekivane događaje koji se dešavaju drugim ljudima, životinjama ili njihovoj imovini. Ne izlažite proizvod prekomernoj vlazi, prašini, prljavštini ili korozivnim isparenjama. Nemojte montirati opremu ili pribor na mašinu koja nije predviđena ili odobrena od strane proizvođača. Nikada ne pokušavajte da izmenite proizvod. Neovlašćene izmene ili pribor mogu rezultirati ozbiljnim ličnim povredama ili smrću operatera ili drugih osoba. Posavetujte se sa ovlašćenim dilerom za rastav i uslugu, koja nije obuhvaćena ovim uputstvom. Ako se nešto pokvari ili dođe do nezgode tokom rada, odmah isključite mašinu i udaljite je kako biste sprečili dalje oštećenje. U slučaju da je strano telo ušlo u mašinu, odmah ga zaustavite, pregledajte da li ima oštećenja i izvršite popravke pre nego što ga ponovo započnete.

ZAŠTITNA OPREMA

Uverite se da prilikom rada jedinice koristite odgovarajuću i sertifikovanu zaštitnu opremu. Uvek nosite odeću koja ne sputava pokrete, zaštitne rukavice, zaštitne naočare, respirator sa polu maskiranim ušima, zaštitu ušiju i anti-shear sigurnosne cizme sa neklizajućim donom. Nikada ne nosite šalove, ogrlice ili bilo kakav viseći ili lepšavi pribor i odeću koja bi mogla da se uhvati u mašini. Vehi kosu ako je dugačka.

OPASNOSTI OD POŽARA I OPEKOTINA

Kvarovi na električnoj opremi mogu da izazovu varnice koje bi mogle da zapale zapaljiv materijal. Potrudite se da vaš radni prostor bude čist i uredan i nemojte koristiti mašinu u blizini zapaljivog materijala. Ako dođe do požara, koristite odgovarajući protivpožarni aparat.

Ne dirajte rotirajuće delove i alatku za bušenje nakon rada. Neke površine mogu postati veoma vruće tokom upotrebe i treba im dozvoliti vreme da se ohlade pre nego što ih dodirnete.

KATEGORIJA BEZBEDNOSNA UPOZORENJA

BEZBEDAN RAD

Sve operativne poluge mašine moraju lako da se kreću sa jedne pozicije na drugu i ne sme im biti potrebno forsiranje. Električni kablovi i posebno glavni kabl za utikač moraju biti u savršenom

stanju kako bi se izbegla generacija bilo kakvih varnica ili rizik od električnog šoka. Ručne i zaštitne uređaje moraju biti čiste i suve kao i bezbedno pričvršćivanje za mašinu. Upravljaj mašinom obeima rukama. Uverite se da uvek koristite ispravnu alatku za svaki posao kako biste izbegli otkazivanje ili povredu računara i izbegli preopterećenje mašine. Ocene napona i frekvencije snabdevanja električnom energijom moraju biti u okviru specifikacija mašine. Uverite se da je prekidač mašine isključen prilikom priključivanja, kako biste izbegli rizik zbog nenamernog pokretanja. Uklonite sve tastere i ključeve sa računara pre operacije.

Uverite se da ste zaustavili mašinu i isključili je iz glavnih:

- ▶ Prilikom montaže ili uklanjanja pribora i alata.
- ▶ Kad god ostavite mašinu bez nadzora.
- ▶ Tokom čišćenja ili održavanja.
- ▶ Tokom repozicioniranja mašine, transporta ili skladištenja.

U slučaju kvara ili gužve mašine, odmah isključite mašinu i uklonite je iz izvora napajanja. Mašina ne bi trebalo ponovo da se pokrene ako se džem ne raščisti ili ako se kvar izmeni, u ovlašćenom servisnom centru kada je to potrebno. Mašina bi potencijalno mogla da se zaglavi kada:

- ▶ Mašina je preopterećena.
- ▶ Radno delo koje treba mašinski zakrčeno.

OPASNOSTI PO STRUJU

Uverite se da su električni kablovi mašine i glavni utikač, sa kojima je povezan, u dobrom stanju i da se ne nose. Nikada ne koristite oštećenu mašinu ili mašinu sa oštećenim ili istrošenim električnim kablovima i utikačima. Ne izlažite mašinu i električne kablove vlažnim uslovima i nikada ne dirajte kada su vlažni. Koristite utičnicu sa zemaljom.

Nemojte dolaziti u kontakt sa prizemljenim površinama ili električnim kablovima, kako biste izbegli rizik od električnog šoka. Nemojte koristiti kabl da biste izvukli utikač iz utičnice.

Da biste sprečili oštećenje kabla za napajanje, uvek udaljite kabl za napajanje od zadržanog dela mašine i zaštitite ga od toplote, ulja i oštrih predmeta.

Kada mašina treba da se koristi na otvorenom, koristite samo produžne kablove namenjene za korišćenje na otvorenom. Presek bilo kog produžnog kabla mora da izmeri najmanje 1,5mm² i glavna veza mora biti zaštićena odgovarajućim osiguračima.

OPASNOSTI OD ROTIRAJUĆIH DELOVA

Rotirajući delovi mogu da izazovu ozbiljne povrede. Izbegavajte kontakt sa rotirajućim delovima dok su još u rotaciji i potrudite se da sve što bi moglo da bude zarobljeno u operacionoj mašini, kao što su labava kosa i odeća, držite podalje. Držite ruke dalje od prostora za mahinacije prilikom rada mašine.

Radni komadi i alati mogu da se rikošetom dovedu do povreda i oštećenja imovine. Uverite se da su mašina i alat uvek u dobrom stanju. Koristite stege ili porok da biste čvrsto držali radni deo na poziciji. Nemojte raditi na stavkama koje su premale da bi se bezbedno stegle u mestu.

Proverite da li postoji ispravno poravnavanje

pokretnih i rotirajućih delova ili drugih otkazivanja koja mogu biti izvor opasnosti. Oštećeni čuvar ili drugi deo treba da bude zamenjen ovlašćenim servisnim centrom pre rada mašine.

Ne dirajte rotirajuće delove pre nego što dođu u potpuno zaustavljanje.

OPASNOSTI OD BUKE I VIBRACIJA

Nivoi buke i vibracija prikazani u ovim uputstvima su maksimalni nivoi za korišćenje mašine. Nedovoljno održavanje ima značajan uticaj na vibracije i emisiju buke. Shodno tome, neophodno je preduzeti preventivne korake kako bi se eliminisala moguća oštećenja usled visokog nivoa buke i stresa od vibracija. Dobro održavajte mašinu, nosite uređaje za zaštitu ušiju, rukavice protiv vibracija i napravite pauze dok radite. Upravljanje mašinom stabilnom brzinom i čvrsto prljanje ručki uz odgovarajuću silu može da smanji nivo vibracija. Tokom radnog dana pravićete česte i adekvatne pauze kako biste sprečili oštećenje vibracija i oštećenja ušiju. Produžena izloženost vibracijama može da izazove povrede i neurovaskularne poremećaje, posebno kod osoba koje pate od poremećaja cirkulacije. Simptomi mogu da se odnose na ruke, zglobove i prste i pokazuju se kroz gubitak osetljivosti, torpora, svraba, bola i obeshralenosti ili strukturnih promena na koži. Ovi efekti se mogu pogoršati niskim ambijentalnim temperaturama ili prekomernim zahvatanjem ručnih ruku. Ako dođe do takvih simptoma, dužina trajanja upotrebe aparata mora biti smanjena i lekar mora biti konsultovan.

OPASNOSTI U RADNOJ OBLASTI

Detaljno pregledajte ceo radni prostor i koristite četkicu za grabulje ili dvorište kako biste ručno olabavili ostatke i uklonili sve što bi moglo da vam bude opasan izvor ili da izazove oštećenje mašine. Održavajte radni prostor čistim i urednim. Nemojte upravljati mašinom u vlažnim uslovima okruženja ili kada je sama mašina mokra. Drži mašinu dalje od zapaljivog materijala. Proverite da li postoje prolaznici, životinje ili predmeti koji mogu biti oštećeni u okviru opsega radnji mašine.

Radite samo u dobro provetrenim delovima. Čips i testera prašina mogu biti opasnost po zdravlje kada se udahnu ili kada su u kontaktu sa očima. Uvek nosite odgovarajuće respiratorne i zaštitne naočare sa polu maskiranim maskama, kada radite sa takvim materijalima i koristite uređaj za vađenje prašine.

Radite samo po dnevnom svetlu, ili uz odgovarajuću veštačku svetlost, u dobrim uslovima vidljivosti. Pokušajte da ne izazivate nikakve smetnje u buci, samo koristeći ovu mašinu u razumno doba dana. Zauzmu čvrstu i dobro izbalansiranu poziciju. Gde je to moguće, izbegavajte rad na vlažnom, klizavom terenu ili u svakom slučaju na neravnomernom ili strmom terenu koji operateru ne garantuje stabilnost.

Skladištenje alata koji nisu u upotrebi treba da se obavlja na suvom i bezbednom mestu daleko od operativne mašine i van domašaja dece.

PREOSTALE OPASNOSTI

Mašina je napravljena pomoću savremene tehnologije i u skladu sa priznatim bezbednosnim pravilima. Čak i kada su preduzete sve bezbednosne mere, neke preostale opasnosti, koje još uvek nisu evidentne, mogu biti prisutne. Operater treba da koristi zdrav razum i preduzme neophodne mere predostrožnosti kako bi izbegao rizik zbog preostalih opasnosti.

SPECIFIKACIJE PROIZVODA

NAMENJENA UPOTREBA

Ova mašina je dizajnirana i proizvedena za mahinacije radnih komada bušenjem (npr. betonom, metalom i sličnim materijalima) ili dletom (npr. betonom i sličnim materijalima).

Svaka druga upotreba koja se razlikuje od gore navedenih može biti opasna, naškoditi ljudima i/ili oštetiti stvari i samu mašinu.

NEPRAVILNA UPOTREBA

Mašina ne sme da se koristi za mahinaciju opasnih materija, npr. akumulaciju upalnih ili eksplozivnih proizvoda i bilo koji drugi predmet koji bi mogao da bude opasan po samu mašinu kao i operatera, prolaznike, životinje ili imovinu.

Drugi primeri nepravilne upotrebe mogu da uključuju, ali nisu ograničeni, na rad računara:

- ▶ Bez originalnog pribora koji je obezbedio proizvođač.
- ▶ Sa originalnim priborom, ali na neki način ne u skladu sa uputstvima.
- ▶ Bez originalnih rezervnih delova.
- ▶ Sa neovlašćenim izmenama.

BELEŠKE

Prema važećim zakonima o odgovornosti proizvođača, proizvođač uređaja ne preuzima odgovornost za štetu na proizvodu ili štetu nastalu usled proizvoda do koje dolazi zbog:

- ▶ Nepravilno rukovanje nije u skladu sa uputstvima za rad.
- ▶ Popravke od strane trećih lica, a ne od strane ovlašćenih servisnih tehničara.
- ▶ Instalacija ne-originalnih rezervnih delova.
- ▶ Nemušta upotreba.
- ▶ Kvar na električnom sistemu zbog napajanja mašine na način koji nije u skladu sa električnim i VDE propisima.

TEHNIČKI PODACI

Broj članka		46 609
Model	RH 4-32 PRO	
Ocenjen napon	V	220-240
Ocenjena frekvencija	Hz	50
Ocenjeno napajanje	W	1.300
Ocenjeno bez brzine opterećenja	min ⁻¹	0 - 850
Stopa uticaja	min ⁻¹	0 - 4.500

TEHNIČKI PODACI		
Broj članka		46 609
Model		RH 4-32 PRO
Udarana energija	J	4,8
Čak tip		SDS PLUS
Neto težina	kg	4,7
Max. bušenje Ø		
Konkretne	mm	32
Vrednosti zvučne emisije određene prema EN 60745-1, EN 60745-2-6		
Obično su nivoi buke A težine proizvoda:		
Nivo pritiska zvuka (LPA)	dB(A)	88,4
Nivo napajanja zvuka (LwA)	dB(A)	99,4
Neizvesnost (K)	dB	3
Vibracije ukupne vrednosti ah (triax vector sum) i neizvesnost K utvrđene prema EN 60745-1, EN 60745-2-6		
Maksimalni nivo vibracije:		
Nivo vibracije (ah,HD)	m/s ²	15,5
Neizvesnost (K)	m/s ²	1,5

IDENTIFIKACIJA (SL. 1)

1. Čak
2. Kvaka za izbor režima
3. Prekidač za operaciju
4. Zatvarač četkice
5. Pomoćna drška

OPERACIJA

PRIPREMA JEDINICE

Raspakivanje i dovršavanje montaže treba uraditi na ravnoj i stabilnoj površini, sa dovoljno prostora za premeštanje mašine i njene ambalaže, uvek koristeći odgovarajuću opremu.

BELEŠKE

Instalirani elektromotor je potpuno ozvučen spreman za rad. Veza kupca sa sistemom napajanja i svim produžnim kablovima koji se mogu koristiti moraju biti u skladu sa lokalnim propisima. Redovno proveravajte kablove za električnu vezu da biste oštetili. Uverite se da je kabl isključen iz glavne e-poruke prilikom provere. Kablovi za električnu vezu moraju biti u skladu sa propisima koji važe u vašoj zemlji.

- ▶ Glavni napon mora da se poklopi sa naponom navedenim na motornoj ploči za ocenjivanje.
- ▶ Kablovi dimenzija do dužine 25 metara moraju imati

presek od 1,5mm² i preko 25m najmanje 2,5mm².

- ▶ Veza sa glavnim mora biti zaštićena odgovarajućim spornim glumačkim osiguračima.

UPOZORENJE

Postavite mašinu samo sa utičnicom sa pravilno instaliranim zemljanim kontaktom.

Pomoćni sklop ručke (SL. 2)

Postavite pomoćni sklop ručke na rukav mašine i rotirajte njenu dršku kako biste čvrsto zategli montažu na mestu.

Sklop alata (SL. 3)

Dodajte malo masnoće na montažnu tačku alatke i gurnite je u čak, rotirajući je ako je potrebno, dok se ne zaključa na poziciju klik zvukom.

Disamby alatka (SL. 4)

Pritisni čak da otključaš alat i izvuci alat da ga ukloniš iz čaka.

UPRAVLJANJE JEDINICOM

UPOZORENJE

Nemojte angažovati prekidač za operaciju dok se menjate između različitih režima rada.

Pokretanje jedinice (SL. 5)

Da biste pokrenuli jedinicu, pritisnite prekidač za operaciju. Brzinom mašine upravlja i nivo angažovanja na prekidaču za rad, uz maksimalnu brzinu koja znači puno angažovanje.

Zaustavljanje jedinice (SL. 6)

Da biste zaustavili jedinicu, u potpunosti isključite prekidač za operaciju.

Režim bušenja čekića (SL. 7)

Da biste podesili jedinicu u režimu bušenja čekića, rotirajte kvaku za izbor režima (SL. 1.2) u skladu sa pozicijom prikazanom u SL. 7.

Podešavanje alatke za dleto (SL. 8)

Da biste podesili ugao vrha alatke za dleto, podesite jedinicu u režimu podešavanja alatke za dleto tako što ćete rotirati kvaku za izbor režima u skladu sa položajem prikazanim u SL. 8. Uključite prekidač za operaciju da biste rotirali alatku za dleto pod željenim uglom.

Režim isklesanja (SL. 9)

Da biste podesili jedinicu u režimu isklesavanja, rotirajte kvaku za izbor režima u skladu sa položajem prikazanim u SL. 9.

Pozicioniranje radnog dela

Po opštem pravilu, koristite porok ili neki drugi odgovarajući uređaj za stezanje kako biste obezbedili mali radni deo na poziciji. Nikada ne držite radni deo na mestu rukom. Uverite se da radni deo ne može da se rotira. To je najbolje postići postavljanjem radnog dela /mašinskog poroka u čvrst blok.

ODRŽAVANJE I ČIŠĆENJE

Svakih šest meseci do godinu dana (u zavisnosti od

učestalosti i intenziteta korišćenja), odnesite računar u najbliži objekat servisne stanice za sledeće servisne operacije:

- ▶ Podmazivanje.
- ▶ Inspekcija četkicom i zamena.
- ▶ Mehanička inspekcija i čišćenje (zupčanici, ležajevi itd.).
- ▶ Električna inspekcija (prekidač, kabl itd.).
- ▶ Testiranje kako bi se osigurao pravilan mehanički i električni rad.

UPOZORENJE

Radi vaše bezbednosti, isključite isključivanje i uklanjajte utikača iz utičnice izvora napajanja pre bilo kakvog rada održavanja na presi bušilice.

Održavajte aparat čistim. Da biste izbegli oštećenje motora, izduvajte ili usisajte često ovaj motor kako bi sprečio da prašina za štampu buši ometa normalnu motornu ventilaciju.

MOTORNE ČETKICE OD UGLJENIKA

Redovno uklanjajte i proveravajte ugljenične četke motora. Održavajte ih čistim i zamenite ako je prisutno preterano nošenje.

Da biste zamenili četkice za ugljenik:

1. Koristite šrafciğer da biste uklonili zatvarač za držač četkice.
2. Take istrošene četkice za ugljenik.
3. Insert nove ietkice za ugljenik.

BELEŠKE

Četkice od ugljenika treba zameniti u identičnim parovima, bez obzira na individualno nošenje.

4. Obezbedite zatvarač za držač četkice.

Nakon zamene četkica, priključite alat i razbijte četkice tako što ćete pokrenuti alat bez opterećenja oko 10 minuta. Zatim proverite da li u alatu ima pravilnog rada i električnu kočnicu za zaustavljanje rotacije alata prilikom otpuštanja okidača prekidača, prema fabričkim standardima.

KABL ZA NAPAJANJE

Da biste izbegli opasnost od šoka ili požara, ako je kabl za napajanje crv ili isečen, ili oštećen na bilo koji način, neka ga odmah zamenite. Kablovi za električnu vezu često trpe oštećenja izolacije. Mogući uzroci su:

1. Tačke udarca kada se kablovi za povezivanje protiče kroz prozor ili praznine na vratima.
2. Kinks je rezultat neispravnog priloga ili polaganja kabla za povezivanje.
3. Rezovi nastali prelamanjem kabla za povezivanje.
4. Oštećenje izolacije je posledica nasilnog izvlačenja iz zidne utičnice.
5. Pukotine kroz starenje izolacije.

Takvi neispravni kablovi za električno povezivanje ne smeju da se koriste jer ih oštećenje izolacije čini izuzetno opasnim.

PODMAZIVANJE

Periodično podmazite pokretne delove.

ČIŠĆENJE

Koristite malu meku četku za čišćenje spoljašnjosti jedinice. Ne koristite jake deterđente. Čistači domaćinstava koji sadrže aromatična ulja kao što

su bor i limun i rastvarači kao što je kerozin mogu da oštete plastična kućište ili dršku. Obrišite svaku vlagu mekom krpom. Uklonite prašinu, prljavštinu i mahinacije odgovarajućim usisivačem ako je potrebno.

SKLADIŠTENJE

UPOZORENJE

Isključite prekidač i uklonite utikač iz utičnice izvora napajanja da biste uskladištili računar. Jedinicu čuvajte samo u suvim i dobro provetrenim delovima. U slučaju da će jedinica biti uskladištena duže vreme, koristite sledeću proceduru skladištenja:

1. Temeljno očistite jedinicu i proverite da li ima labavih ili oštećenih delova. Popravite ili zamenite oštećene delove i zategnite labave šrafove, orahe ili šrafove.
2. Podmažite i nanesite mast, tamo gde je potrebno.
3. Uskladištite jedinicu u originalnom pakovanju.

ZAŠTITA ŽIVOTNE SREDINE

Reciklirajte sirovine umesto da odlažete kao otpad. Mašina, pribor i ambalaža treba da se sortiraju za reciklažu pogodnu za životnu sredinu. Plastične komponente su označene za kategorizovanu reciklažu.

Ovaj proizvod ne sme da se odlaže zajedno sa domaćim otpadom u skladu sa relativnim zakonodavstvom koje se odnosi na otpad električne i elektronske opreme. Ovaj proizvod mora biti odložen na određenom mestu prikupljanja. Do toga može doći, na primer, predajom na ovlašćenom mestu za prikupljanje za reciklažu otpadne električne i elektronske opreme. Nepravilno rukovanje opremom za otpad može imati negativne posledice po životnu sredinu i ljudsko zdravlje zbog potencijalno opasnih materija koje se često nalaze u električnoj i elektronskoj opremi. Pravilnom uklanjanjem ovog proizvoda doprinosite i efikasnom korišćenju prirodnih resursa.

Informacije o punktovima za prikupljanje otpadne opreme možete dobiti od vaše opštinske uprave, organa za odlaganje javnog otpada, ovlašćenog tela za odlaganje otpadne električne i elektronske opreme ili vašeg preduzeća za odlaganje otpada.

GARANCIJE

Ovaj proizvod je garantovan u skladu sa zakonskim / državnim propisima, koji stupaju na snagu od dana kupovine od strane prvog korisnika. Šteta koja se može pripisati normalnom habanomu i cedanju, preopterećenju ili nepravilnom rukovanju biće isključena iz garancije. U slučaju zahteva, pošaljite mašinu, potpuno okupljenu, vašem dileru ili zvaničnom servisnom centru.

HRVATSKI

OPĆA UPOZORENJA O SIGURNOSTI

Prije upotrebe ovog proizvoda pročitajte i razumite ovaj priručnik. Spriječiti nesreće možete pomoći upoznavanjem kontrola vašeg proizvoda i poštivanjem sigurnih radnih postupaka i sigurnosnih znakova. Uvijek koristite zdrav razum kako biste izbjegli sve situacije koje se smatraju izvan vaših mogućnosti. Ne koristite dok ste umorni ili pod utjecajem droga, alkohola ili bilo kojih drugih lijekova. Držite prolaznike i životinje koje bi mogle biti ozlijeđene, kao i predmete koji bi mogli biti oštećeni, dok radite. Nikada ne dopuštajte djeci ili ljudima koji nisu upoznati s ovim uputama da koriste proizvod. Lokalni zakoni mogu ograničiti minimalnu dob operatera. Imajte na umu da je operater ili korisnik odgovoran za nesreće ili neočekivane događaje koji se događaju drugim ljudima, životinjama ili njihovoj imovini. Ne izlažite proizvod prekomjernoj vlazi, prašini, prljavštini ili korozivnim parama. Nemojte montirati opremu ili pribor na stroj koji nisu predviđeni ili odobreni od strane proizvođača. Nikada ne pokušavajte modificirati proizvod. Neovlaštene preinake ili dodaci mogu dovesti do ozbiljnih tjelesnih ozljeda ili smrti rukovatelja ili drugih. Za demontažu i servis, koji nisu obuhvaćeni ovim priručnikom, obratite se ovlaštenom dobavljaču. Ako se tijekom rada nešto pokvari ili se dogodi nesreća, odmah isključite stroj i odmaknite ga kako biste spriječili daljnje oštećenje. U slučaju da je strano tijelo ušlo u stroj, odmah ga zaustavite, pregledajte ga radi oštećenja i popravite prije ponovnog pokretanja.

ZAŠITNA OPREMA

Obavezno koristite prikladnu i certificiranu zaštitnu opremu prilikom upravljanja jedinicom. Uvijek nosite odjeću koja ne ometa pokrete, zaštitne rukavice, zaštitne naočale, respirator s polumaskom, zaštitu za uši i zaštitne čizme protiv smicanja s protukliznim potplatima. Nikada nemojte nositi šalove, ogrlice ili bilo koji pribor za vješanje ili lepršanje koji bi se mogao uhvatiti u stroju. Zavežite kosu ako je duga.

OPASNOSTI OD POŽARA I OŽIGA

Kvarovi na električnoj opremi mogu uzrokovati iskre koje bi mogle zapaliti zapaljivi materijal. Pazite da radno područje održavate čistim i urednim i ne upotrebljavajte stroj u blizini zapaljivih materijala. Ako se dogodi požar, upotrijebite odgovarajući uređaj za gašenje požara. Nakon rada ne dodirujte rotirajuće dijelove i alat za bušenje. Neke se površine mogu tijekom upotrebe jako zagrijati i prije dodirivanja treba im ostaviti vrijeme da se ohlade.

SIGURNOSNA UPOZORENJA KATEGORIJE

SIGURAN RAD

Sve operativne poluge stroja moraju se lako premještati iz jednog položaja u drugi i ne smiju trebati prisiljavanje. Električni kabeli, a posebno glavni kabel moraju biti u savršenom stanju kako bi se izbjeglo stvaranje iskre ili rizik od električnog udara.

Držači i zaštitni uređaji moraju biti čisti i suhi, kao i sigurno pričvršćeni na stroj. Upravljajte strojem objema rukama. Obavezno koristite ispravan alat za svaki posao kako biste izbjegli kvar ili ozljede stroja i izbjegli preopterećenje stroja. Oznake napona i frekvencije napajanja električnom energijom moraju biti unutar specifikacija stroja. Proverite je li prekidač stroja isključen kad ga priključite kako biste izbjegli rizik zbog nenamjernog pokretanja. Izvadite sve ključeve i ključeve iz stroja prije rada.

Obavezno zaustavite stroj i isključite ga iz električne mreže:

- ▶ Prilikom montiranja ili uklanjanja pribora i alata.
- ▶ Kad god stroj ostavite bez nadzora.
- ▶ Tijekom čišćenja ili održavanja.
- ▶ Tijekom strojnog premještanja, transporta ili skladištenja.

U slučaju kvara ili zaglavlivanja stroja, odmah isključite stroj i uklonite ga iz izvora napajanja. Stroj se ne smije ponovno pokretati ako se zaglavlivanje ne ukloni ili se kvar popravi, po potrebi u ovlaštenom servisnom centru. Stroj bi se mogao zaglaviti kada:

- ▶ Stroj je preopterećen.
- ▶ Obradak koji se obrađuje zaglavljen je.

OPASNOSTI OD STRUJE

Proverite jesu li električni kabeli stroja i mrežni utikači na koji je spojen u dobrom stanju i nisu istrošeni. Nikada nemojte koristiti oštećeni stroj ili stroj s oštećenim ili istrošenim električnim kabelima i utikačima. Ne izlažite stroj i električne kabele mokrim uvjetima i nikada ih ne dodirujte kad su mokri. Koristite utičnicu s kontaktom uzemljenja. Nemojte dolaziti u kontakt s uzemljenim površinama ili električnim kabelima, kako biste izbjegli rizik od strujnog udara. Nemojte koristiti kabel za povlačenje utikača iz utičnice.

Da biste spriječili oštećenje kabela za napajanje, uvijek odvedite kabel za napajanje od stražnjeg dijela stroja i zaštitite ga od topline, ulja i oštih predmeta. Kad se stroj koristi na otvorenom, koristite samo produžne kabele namijenjene vanjskoj uporabi. Poprečni presjek bilo kojeg produžnog kabela mora biti najmanje 1,5mm², a mrežni priključak mora biti zaštićen odgovarajućim osiguračem.

OPASNOSTI OD ROTIRANJA DIJELOVA

Rotirajući dijelovi mogu prouzročiti ozbiljne ozljede. Izbjegavajte kontakt rotirajućih dijelova dok su još u rotaciji i pobrinite se da sve što može ostati zarobljeno u upravljačkom stroju, poput raspuštene kose i odjeće, bude podalje. Držite ruke dalje od područja obrade tijekom upravljanja strojem. Radni komadi i alati mogu se rikošetirati i dovesti do ozljeda i materijalne štete. Pazite da su strojevi i alati uvijek u dobrom stanju. Upotrijebite stezaljke ili škripac da biste radni predmet čvrsto držali u položaju. Ne radite na predmetima koji su premali da biste ih sigurno stegnuli na svoje mjesto. Proverite ispravnost poravnanja pokretnih i rotirajućih dijelova ili druge kvarove koji mogu predstavljati izvor opasnosti. Oštećeni štitičnik ili drugi dio treba zamijeniti ovlaštenu servis prije rada sa strojem.

Ne dodirujte rotirajuće dijelove prije nego što se potpuno zaustave.

OPASNOSTI OD BUKE I VIBRACIJA

Razine buke i vibracija prikazane u ovim uputama maksimalne su razine za korištenje stroja. Nedovoljno održavanje ima značajan utjecaj na vibracije i emisije buke. Slijedom toga, potrebno je poduzeti preventivne korake kako bi se uklonila moguća oštećenja zbog visoke razine buke i stresa od vibracija. Dobro održavajte stroj, nosite uređaje za zaštitu uha, rukavice protiv vibracija i uzmite pauze tijekom rada. Upravljanje strojem stabilnom brzinom i čvrsto prijanjanje ručki odgovarajućom silom može smanjiti razinu vibracija. Tijekom radnog dana napraviti ćete česte i adekvatne pauze kako biste spriječili oštećenje vibracija i oštećenja ušiju. Dugotrajna izloženost vibracijama može uzrokovati ozljede i neurovaskularne poremećaje, osobito osobama koje pate od poremećaja cirkulacije. Simptomi mogu biti u vezi s rukama, zapešćima i prstima i prikazani su gubitkom osjetljivosti, torpora, svrbeža, boli i promjene boje ili strukturnih promjena na koži. Ti se učinci mogu pogoršati niskim temperaturama okoline ili prekomjernim hvatanjem za ruke. Ako se pojave takvi simptomi, potrebno je smanjiti trajanje trajanja stroja i konzultirati liječnika.

OPASNOSTI NA RADNOM PODRUČJU

Temeljito pregledajte cijelo radno područje i pomoću grablja ili dvorišne četke ručno otpustite ostatke i uklonite sve što bi moglo predstavljati opasan izvor ili oštetiti stroj. Neka radno područje bude čisto i uredno. Nemojte rukovati strojem u mokrim uvjetima ili kad je sam stroj mokar. Stroj držite podalje od zapaljivih materijala. Provjerite nema li posmatrača, životinja ili predmeta koji bi mogli biti oštećeni u krugu djelovanja stroja. Radite samo u dobro prozračanim prostorima. Opiljci i prah od pila mogu predstavljati opasnost po zdravlje prilikom udisanja ili dodira s očima. Uvijek nosite odgovarajući respirator s polumaskom i zaštitne naočale kada radite s takvim materijalima i koristite uređaj za uisavanje prašine. Radite samo na dnevnom svjetlu ili s prikladnom umjetnom svjetlošću, u uvjetima dobre vidljivosti. Pokušajte ne uzrokovati nikakve smetnje bukom, koristeći ovaj stroj samo u razumno doba dana. Zauzmite čvrst i uravnotežen položaj. Gdje je moguće, izbjegavajte raditi na mokrom, skliskom tlu ili u svakom slučaju na neravnom ili strmom terenu koji ne garantira stabilnost rukovatelja. Skladištenje alata koji se ne koriste treba obavljati na suhom i sigurnom mjestu, daleko od pogonskog stroja i izvan dohvata djece.

PREOSTALE OPASNOSTI

Stroj je izrađen primjenom moderne tehnologije i u skladu s priznatim sigurnosnim pravilima. Čak i kad su sve sigurnosne mjere na mjestu, mogu postojati neke preostale opasnosti, koje još nisu očite. Operater treba koristiti zdrav razum i poduzeti potrebne mjere predostrožnosti kako bi izbjegao rizik zbog preostalih opasnosti.

SPECIFIKACIJE PROIZVODA

NAMJENA KORIŠTENJA

Ovaj stroj je dizajniran i proizveden za strojnu obradu radnih komada bušenjem (npr. betonom, metalom i sličnim materijalima) ili dlijetom (npr. betonom i sličnim materijalima).

Svaka druga upotreba koja se razlikuje od gore spomenute može biti opasna, naštetiti ljudima i / ili oštetiti stvari i sam stroj.

NEPRAVILNA UPOTREBA

Stroj se ne smije koristiti za obradu opasnih materijala, npr. nakupljanje zapaljivih ili eksplozivnih proizvoda i bilo kojeg drugog predmeta koji bi mogao biti opasan za sam stroj, kao i za operatera, prolaznike, životinje ili imovinu.

Ostali primjeri nepravilne upotrebe mogu uključivati, ali nisu ograničeni, na rad stroja:

- ▶ Bez originalnog pribora koji je isporučio proizvođač.
- ▶ S originalnim dodacima, ali na način koji nije u skladu s uputama.
- ▶ Bez originalnih rezervnih dijelova.
- ▶ Uz neovlaštene preinake.

BILJEŠKA

Prema važećim zakonima o odgovornosti za proizvod, proizvođač uređaja ne preuzima odgovornost za štetu na proizvodu ili štetu nastalu proizvodom koja nastaje uslijed:

- ▶ Nepravilno rukovanje nije u skladu s uputama za uporabu.
- ▶ Popravke trećih strana, a ne ovlaštenih serviser.
- ▶ Ugradnja neoriginalnih rezervnih dijelova.
- ▶ Nenamjenska upotreba.
- ▶ Kvar električnog sustava uslijed snage stroja na način koji nije u skladu s električnim i VDE propisima.

TEHNIČKI PODACI

Broj članka		46 609
Model		RH 4-32 PRO
Ocijenjeni napon	V	220-240
Ocijenjena frekvencija	Hz	50
Ocijenjena snaga	W	1.300
Ocijenjeno bez brzine učitavanje	min ⁻¹	0 - 850
Stopa utjecaja	min ⁻¹	0 - 4.500
Energija utjecaja	J	4,8
Tip za chuck		SDS PLUS
Neto težina	kg	4,7
Max. bušenje Ø		
Beton	mm	32

TEHNIČKI PODACI		
Broj članka		46 609
Model		RH 4-32 PRO
Vrijednosti emisije zvuka utvrđene prema EN 60745-1, EN 60745-2-6		
Obično su A-ponderirane razine buke proizvođača:		
Razina tlaka zvuka (LpA)	dB(A)	88,4
Razina snage zvuka (LwA)	dB(A)	99,4
Neizvjesnost (K)	dB	3
Ukupne vrijednosti vibracija ah (trix vektorski zbroj) i nesigurnost K utvrđene prema EN 60745-1, EN 60745-2-6		
Maksimalna razina vibracije:		
Razina vibracije (ah,HD)	m/s ²	15,5
Neizvjesnost (K)	m/s ²	1,5

IDENTIFIKACIJA (SL.1)

1. Čak
2. Gumb za odabir načina rada
3. Prekidač za rad
4. Kist kapa
5. Pomoćna ručka

OPERACIJA

PRIPREMA JEDINICE

Raspakiranje i dovršavanje sklopa treba obaviti na ravnoj i stabilnoj površini, s dovoljno prostora za pomicanje stroja i njegove ambalaže, uvijek koristeći prikladnu opremu.

BILJEŠKA

Instalirani elektromotor potpuno je ožičen i spreman za rad. Priključak kupca na sustav napajanja i svi produžni kabeli koji se mogu koristiti moraju biti u skladu s lokalnim propisima. Redovito provjeravajte oštećenja na električnim priključnim kabelima. Pri provjeri provjerite je li kabel odspojen od električne mreže. Električni kabeli za povezivanje moraju biti u skladu s propisima važećim u vašoj zemlji.

- Mrežni napon mora se podudarati s naponom navedenim na tipskoj pločici motora.
- Dimenzioni kabeli do duljine od 25m moraju imati poprečni presjek 1,5mm², a preko 25m najmanje 2,5mm².
- Priključak na električnu mrežu mora biti zaštićen odgovarajućim osiguračem usporenog djelovanja.

UPOZORENJE

Stroj priključite samo u utičnicu s pravilno instaliranim kontaktom uzemljenja.

Sklop pomoćne ručke (SL. 2)

Postavite pomoćni sklop ručke na rukav stroja i rotirajte njegovu ručku kako biste čvrsto zategnuli sklop na mjestu.

Sklop alata (SL. 3)

Dodajte malo masti na montažnu točku alata i gurnite ga u smejd, rotirajući ga ako je potrebno, dok se ne zaključa u položaju sa zvukom klika.

Raščlanjenje alata (SL. 4)

Pritisnite čuck u otključati alat i izvući alat kako bi ga uklonili iz čuck.

UPRAVLJANJE JEDINICOM UPOZORENJE

Nemojte uključiti prekidač za rad, dok se mijenjate između različitih načina rada.

Pokretanje jedinice (SL. 5)

Da biste pokrenuli jedinicu, pritisnite prekidač za operaciju. Brzinom stroja upravlja i razina angažmana na prekidaču za rad, s maksimalnom brzinom što znači puni angažman.

Zaustavljanje jedinice (SL. 6)

Da biste zaustavili jedinicu, potpuno isključite prekidač za rad.

Način bušenja čekićem (SL. 7)

Da biste postavili jedinicu u načinu bušenja čekića, rotirajte gumb za odabir načina rada (Sl. 1) u skladu s položajem prikazanim na Sl. 7.

Podešavanje alata za dljeto (SL. 8)

Da biste prilagodili kut vrha alata za dljeto, postavite jedinicu u načinu podešavanja alata dljeta rotirajući gumb za odabir načina rada u skladu s položajem prikazanim na sl. 8. Uključite prekidač za rad kako biste rotirali alat dljeta prema željenom kutu.

Način dljeta (SL. 9)

Da biste postavili jedinicu u načinu dljeta, okretajte gumb za odabir načina rada u skladu s položajem prikazanim na Sl. 9.

Pozicioniranje radnog dijela

Kao opće pravilo, upotrijebite porok ili neki drugi odgovarajući stezni uređaj kako biste osigurali mali radni komad u položaju. Nikada ne držite radni komad na mjestu rukom. Osigurajte da se radni komad ne može rotirati. To se najbolje postiže postavljanjem radnog komada / strojnog poroka na čvrsti blok.

ODRŽAVANJE I ČIŠĆENJE

Svakih šest mjeseci do jedne godine (ovisno o učestalosti i intenzitetu korištenja), odvedite svoj stroj do najbližeg servisnog objekta za sljedeće servisne operacije:

- Podmazivanje.
- Pregled i zamjena četkom.
- Mehanički pregled i čišćenje (zupčanci, ležajevi

itd.).

- ▶ Električni pregled (prekidač, kabel itd.).
- ▶ Testiranje kako bi se osigurao pravilan mehanički i električni rad.

UPOZORENJE

Iz vlastitih razloga isključite prekidač i izvadite utikač iz utičnice prije bilo kakvog održavanja bušilice.

Održavajte svoj uređaj čistim. Da biste izbjegli oštećenja motora, često ga ispuhujte ili usisavajte kako bi spriječili da prašina iz svrdla za bušenje ometa normalnu ventilaciju motora.

MOTORNE KARBONE ČETKE

Redovito uklanjajte i provjeravajte karbonne četke motora. Držite ih čistima i zamijenite ako je prisutno prekomjerno trošenje.

Za zamjenu karbonskih četkica:

1. Pomoću odvijača uklonite kapicu držača četkice.
2. Take istrošene karbonove četke.
3. Inšert nove karbonne četke.

BILJEŠKA

Karbonska četka treba zamijeniti u identičnim parovima, bez obzira na individualno trošenje.

4. Osigurajte kapicu držača četkice.

Nakon zamjene četkica, priključite alat i razbijte četke alatom za pokretanje bez opterećenja oko 10 minuta. Zatim provjerite alat za pravilan rad i električnu kočnicu za zaustavljanje rotacije alata prilikom objavljivanja okidača prekidača, prema tvorničkim standardima.

KABEL ZA NAPAJANJE

Da biste izbjegli opasnost od udara ili požara, ako je kabel za puž ili pukotina ili na bilo koji način oštećen, odmah ga zamijenite. Električni priključni kabeli često trpe oštećenja izolacije. Mogući uzroci su:

1. Probijte točke kada se priključni kabeli provode kroz prozore ili vrata.
2. Kinks koji nastaju zbog nepravilnog pričvršćivanja ili polaganja priključnog kabela.
3. Rezovi nastali prolaskom preko spojnog kabela.
4. Oštećenja izolacije nastala nasilnim izvlačenjem iz zidne utičnice.
5. Pukotine starenjem izolacije.

Takvi neispravni električni priključni kabeli ne smiju se koristiti jer ih oštećenja izolacije čine izuzetno opasnim.

PODMAZIVANJE

Povremeno podmazujte pokretne dijelove.

ČIŠĆENJE

Upotrijebite malu mekanu četku za čišćenje vanjske strane jedinice. Ne koristite jake deterdžente. Sredstva za čišćenje u domaćinstvu koja sadrže aromatična ulja poput bora i limuna te otapala poput kerozina mogu oštetiti plastično kućište ili dršku. Obrišite vlagu mekom krpom. Po potrebi uklonite prašinu, prljavštinu i ostatke obrade odgovarajućim usisavačem.

SKLADIŠTENJE

UPOZORENJE

Isključite prekidač i izvadite utikač iz utičnice kako biste spremili uređaj. Jedinicu čuvajte samo na suhim i dobro prozračenim mjestima.

U slučaju da će se jedinica čuvati dulje vrijeme, upotrijebite sljedeći postupak skladištenja:

1. Temeljito očistite jedinicu i pregledajte ima li labavih ili oštećenih dijelova. Popravite ili zamijenite oštećene dijelove i zategnite labave vijke, matice ili vijke.
2. Prema potrebi podmazite i nanesite mast.
3. Skladištite jedinicu u originalnom pakiranju

ZAŠTITA OKOLIŠA

Reciklirajte sirovine, umjesto da ih odlažete kao otpad. Stroj, pribor i ambalažu treba razvrstati radi recikliranja prihvatljivog za okoliš. Plastične komponente su označene za kategoriziranu reciklažu.

Ovaj se proizvod ne smije odlagati zajedno s kućnim otpadom u skladu s odgovarajućom zakonskom regulativom koja se odnosi na otpad električne i elektroničke opreme. Ovaj se proizvod mora odložiti na određeno mjesto za sakupljanje. To se može dogoditi, na primjer, predajom na ovlaštenom sabirnom mjestu za recikliranje otpadne električne i elektroničke opreme. Nepravilno rukovanje otpadnom opremom može imati negativne posljedice na okoliš i ljudsko zdravlje zbog potencijalno opasnih tvari koje se često nalaze u električnoj i elektroničkoj opremi. Pravilnim odlaganjem ovog proizvoda pridonosite i učinkovitoj upotrebi prirodnih resursa.

Informacije o mjestima sakupljanja otpadne opreme možete dobiti od vaše općinske uprave, javnog tijela za zbrinjavanje otpada, ovlaštenog tijela za zbrinjavanje otpada električne i elektroničke opreme ili vaše tvrtke za zbrinjavanje otpada.

JAMSTVO

Ovaj je proizvod zajamčen u skladu sa zakonskim propisima / propisima specifičnim za državu, koji stupaju na snagu od datuma kupnje od strane prvog korisnika. Oštećenja koja se pripisuju uobičajenom trošenju, preopterećenju ili nepravilnom rukovanju bit će isključena iz jamstva. U slučaju potraživanja, pošaljite stroj u potpunosti montiranom prodavaču ili službenom servisnom centru.

ROMÂNĂ

AVERTISMENTE GENERALE DE SIGURANȚĂ

Citiți și înțelegeți acest manual al proprietarului înainte de a utiliza acest produs. Puteți ajuta la prevenirea accidentelor familiarizându-vă cu controalele produsului dvs. și respectând procedurile de operare și semnele de siguranță. Folosește-ți întotdeauna bunul simț pentru a evita toate situațiile considerate dincolo de capacitatea ta. Nu utilizați în timp ce sunteți obosit sau sub influența drogurilor, a alcoolului sau a oricărui alt medicament. În timpul funcționării, păstrați spectatori și animalele care ar putea fi rănite, precum și obiectele care ar putea fi deteriorate. Nu permiteți niciodată copiilor sau persoanelor care nu sunt familiarizate cu aceste instrucțiuni să utilizeze produsul. Legile locale pot restricționa vârsta minimă a operatorului. Rețineți că operatorul sau utilizatorul este responsabil pentru accidentele sau evenimentele neașteptate care apar la alte persoane, animale sau proprietatea acestora. Nu expuneți produsul la umiditate excesivă, praf, murdărie sau vapori corozivi. Nu montați echipamente sau accesorii pe mașină neprevăzute sau aprobate de producător. Nu încercați niciodată să modificați produsul. Modificările sau accesoriile neautorizate pot duce la vătămări corporale grave sau la moartea operatorului sau a altor persoane. Consultați distribuitorul autorizat pentru demontare și service, care nu sunt acoperite în acest manual. Dacă se rupe ceva sau apare un accident în timpul lucrului, opriți imediat mașina și îndepărtați-o pentru a preveni deteriorarea ulterioară. În cazul în care corpul străin a intrat în mașină, opriți-l imediat, inspecțiți-l pentru eventuale deteriorări și efectuați reparații înainte de a o reporni.

ECHIPAMENT DE PROTECȚIE

Asigurați-vă că utilizați echipament de protecție adecvat și certificat atunci când utilizați unitatea. Purtați întotdeauna îmbrăcăminte care nu împiedică mișcările, mănuși de protecție, ochelari de protecție, aparat de respirat cu jumătate de mască, protecție pentru urechi și cizme de protecție antifoarfecă cu tălpi antiderapante. Nu purtați niciodată eșarfe, coliere sau orice accesorii și îmbrăcăminte care atârână sau clăpă care s-ar putea prinde în aparat. Legați-vă părul dacă este lung.

PERICOLUL DE INCENDIU ȘI ARSURĂ

Defecțiunile echipamentelor electrice pot provoca scântei care ar putea aprinde materiale inflamabile. Asigurați-vă că păstrați zona de lucru curată și ordonată și nu folosiți mașina lângă material inflamabil. Dacă apare un incendiu, utilizați un stingător adecvat.

Nu atingeți piesele rotative și instrumentul de găurit după ce ați lucrat. Unele suprafețe pot deveni foarte fierbinți în timpul utilizării și ar trebui să se acorde timp să se răcească înainte de a le atinge.

AVERTISMENTE DE SIGURANȚĂ CATEGORIE

FUNCȚIONARE SIGURĂ

Toate părțile operaționale ale mașinii trebuie să se deplaseze cu ușurință dintr-o poziție în cealaltă

și nu trebuie să fie forțate. Cablurile electrice și în special cablul fișei principale trebuie să fie în stare perfectă pentru a evita generarea de scântei sau riscul de electrocutare. Mănerile și dispozitivele de protecție trebuie să fie curate și uscate, precum și fixate în siguranță la mașină. Acționați mașina cu ambele mâini. Asigurați-vă că utilizați întotdeauna instrumentul corect pentru fiecare lucrare pentru a evita defectarea sau rănirea mașinii și pentru a evita supraîncărcarea mașinii. Tensiunea și frecvența nominală a alimentării cu energie electrică trebuie să fie în conformitate cu specificațiile mașinii. Asigurați-vă că întrerupătorul mașinii este oprit atunci când îl conectați, pentru a evita riscul cauzat de pornirea neintenționată. Îndepărtați orice cheie și cheie de pe mașină înainte de utilizare.

Asigurați-vă că opriți aparatul și deconectați-l de la rețea:

- ▶ Când montați sau scoateți accesorii și scule.
- ▶ Ori de câte ori lăsați mașina nesupravegheată.
- ▶ În timpul curățării sau întreținerii.
- ▶ În timpul reparațiilor mașinii, transportului sau depozitării.

În caz de defecțiune sau blocaj al mașinii, opriți imediat mașina și scoateți-o din sursa de alimentare. Mașina nu trebuie pornită din nou dacă blocajul nu este eliminat sau dacă se modifică defecțiunea, la un centru de service autorizat atunci când este necesar. Mașina se poate bloca atunci când:

- ▶ Mașina este supraîncărcată.
- ▶ Piesa de prelucrat este blocată.

PERICOLUL ELECTRICITĂȚII

Asigurați-vă că cablurile electrice ale mașinii și priza de rețea, la care este conectată, sunt în stare bună și nu sunt uzate. Nu folosiți niciodată o mașină deteriorată sau o mașină cu cabluri și prize electrice deteriorate sau uzate. Nu expuneți mașina și cablurile electrice la condiții de umezeală și nu atingeți niciodată când sunt umede. Utilizați o priză cu contact la sol. Nemojte dolaziti u kontakt s uzemljenim površinama ili električnim kabelima, kako biste izbjegli rizik od strujnog udara. Nemojte koristiti kabel za povlačenje utikača iz utičnice.

Pentru a preveni deteriorarea cablului de alimentare, conduceți întotdeauna cablul de alimentare departe de partea din spate a mașinii și protejați-l de căldură, ulei și obiecte ascuțite. Când mașina trebuie utilizată în aer liber, utilizați numai prelungitoare destinate utilizării în exterior. Secțiunea transversală a oricărui cablu prelungitor trebuie să măsoare cel puțin 1,5mm² și conexiunea la rețea trebuie protejată printr-o siguranță adecvată.

PERICOLE PENTRU PIESELE ROTATIVE

Piesele rotative pot cauza răni grave. Evitați contactul pieselor rotative atunci când acestea sunt încă în rotație și asigurați-vă că păstrați departe orice lucru care ar putea fi prins în mașina de operare, cum ar fi părul liber și îmbrăcăminte. Țineți-vă mâinile departe de zona de prelucrare atunci când folosiți mașina. Piesele și instrumentele de lucru pot ricoșa și pot duce la răni și daune materiale. Asigurați-vă că mașina și sculele sunt întotdeauna în stare bună. Folosiți cleme sau un menghină pentru a menține piesa de

prelucrat ferm în poziție. Nu lucrați pe obiecte care sunt prea mici pentru a fi fixate în siguranță.

Verificați alinierea corectă a pieselor în mișcare și rotire sau alte defecțiuni care ar putea fi o sursă de pericol. Un dispozitiv de protecție deteriorat sau altă piesă trebuie înlocuit de un centru de service autorizat înainte de a utiliza mașina.

Nu atingeți piesele rotative înainte ca acestea să se oprească complet.

PERICOLE DE ZGOMOT ȘI VIBRAȚII

Nivelurile de zgomot și vibrații indicate în aceste instrucțiuni sunt nivelurile maxime de utilizare a mașinii. Întreținerea insuficientă are un impact semnificativ asupra emisiilor de vibrații și zgomot. Prin urmare, este necesar să se ia măsuri preventive pentru a elimina posibilele daune cauzate de nivelurile ridicate de zgomot și stres de vibrații. Mențineți bine aparatul, purtați dispozitive de protecție a urechii, mănuși anti-vibrații și luați pauze în timpul lucrului. Funcționarea mașinii cu o viteză stabilă și prinderea mânerelor ferm cu o forță adecvată poate reduce nivelul de vibrație. În timpul unei zile de lucru, trebuie să luați pauze frecvente și adecvate pentru a preveni deteriorarea vibrațiilor și deteriorarea urechilor. Expunerea prelungită la vibrații poate provoca leziuni și tulburări neurovasculare, în special la persoanele care suferă de tulburări de circulație. Simptomele pot privi mâinile, încheieturile și degetele și sunt prezentate prin pierderea sensibilității, torpor, mâncărime, durere și decolorare sau modificări structurale ale pielii. Aceste efecte pot fi agravate de temperaturile ambientale scăzute sau prin prinderea excesivă a mânerelor. Dacă apar astfel de simptome, durata de utilizare a aparatului trebuie redusă și trebuie consultat un medic.

PERICOLUL ZONEI DE LUCRU

Inspectați cu atenție întreaga zonă de lucru și folosiți o perie de greblă sau curte pentru a slăbi manual resturile și a îndepărta orice lucru care ar putea fi o sursă periculoasă pentru dvs. sau poate provoca deteriorarea mașinii. Păstrați zona de lucru curată și ordonată. Nu folosiți mașina în condiții de mediu umed sau atunci când mașina este umedă. Țineți mașina departe de materialul inflamabil. Verificați dacă nu există spectatori, animale sau obiecte care ar putea fi deteriorate în raza de acțiune a mașinii.

Operați numai în zone bine ventilate. Așchiile și praful de fierăstrău pot reprezenta un pericol pentru sănătate atunci când sunt inhalate sau în contact cu ochii. Purtați întotdeauna mască de protecție adecvată și ochelari de protecție la jumătate de mască, atunci când lucrați cu astfel de materiale și utilizați un dispozitiv de extragere a prafului.

Lucrați numai la lumina zilei sau cu lumină artificială adecvată, în condiții de vizibilitate bună. Încercați să nu provocați nicio perturbare a zgomotului, utilizând acest aparat numai în momente rezonabile ale zilei. Asumă o poziție fermă și bine echilibrată. Unde este posibil, evitați lucrul pe teren umed, alunecos sau, în orice caz, pe teren neuniform sau abrupt, care nu garantează stabilitatea operatorului.

Depozitarea sculelor care nu sunt folosite trebuie făcută într-un loc uscat și sigur, departe de mașina de

operare și în afara accesului copiilor.

RISCURI RESTANTE

Mașina a fost construită folosind tehnologia modernă și în conformitate cu normele de siguranță recunoscute. Chiar și atunci când toate măsurile de siguranță sunt în vigoare, pot fi prezente unele pericole rămase, care nu sunt încă evidente. Operatorul ar trebui să folosească bunul simț și să ia măsurile de precauție necesare pentru a evita riscurile din cauza pericolelor rămase.

SPECIFICAȚIILE PRODUSULUI

UTILIZAREA PREVĂZUTĂ

Această mașină este proiectată și fabricată pentru prelucrarea pieselor de lucru prin găurire (de exemplu, beton, metal și materiale similare) sau dăltuire (de exemplu, beton și materiale similare). Orice altă utilizare diferită de cele menționate mai sus ar putea fi periculoasă, ar putea dăuna oamenilor și / sau deteriora lucrurile și mașina în sine.

UTILIZARE NEAPROPATĂ

Mașina nu trebuie utilizată pentru prelucrarea materialelor periculoase, de ex. acumularea de produse inflamabile sau explozive și orice alt obiect care ar putea fi periculos pentru mașină în sine, precum și pentru operator, spectatori, animale sau bunuri.

Alte exemple de utilizare necorespunzătoare pot include, dar nu sunt limitate, la funcționarea mașinii:

- ▶ Fără accesoriile originale furnizate de producător.
- ▶ Cu accesorii originale, dar într-un fel nu conform instrucțiunilor.
- ▶ Fără piese de schimb originale.
- ▶ Cu modificări neautorizate.

NOTĂ

În conformitate cu legile aplicabile privind răspunderea produsului, producătorul dispozitivului nu își asumă răspunderea pentru daunele produsului sau daunele cauzate de produs care apar din cauza:

- ▶ Manipularea necorespunzătoare nu a fost respectată cu instrucțiunile de utilizare.
- ▶ Reparații de către terți și nu de către tehnicieni de service autorizați.
- ▶ Instalarea pieselor de schimb neoriginale.
- ▶ Utilizare neintenționată.
- ▶ Defecțiunea sistemului electric datorită puterii mașinii într-un mod care nu este conform cu reglementările electrice și VDE.

DATE TEHNICE		
Număr articol	46 609	
Model	RH 4-32 PRO	
Tensiune nominală	V	220-240
Frecvența nominală	Hz	50
Putere nominală	W	1.300
Evaluat fără viteză de încărcare	min ⁻¹	0 - 850
Rata de impact	min ⁻¹	0 - 4.500

DATE TEHNICE		
Număr articol	46 609	
Model	RH 4-32 PRO	
Energie de impact	J	4,8
Tip mandrină	SDS PLUS	
Greutate netă	kg	4,7
Găurire maximă Ø		
Beton	mm	32
Valori solide ale emisiilor determinate în conformitate cu EN 60745-1, EN 60745-2-6		
De obicei, nivelurile de zgomot ponderate A ale produsului sunt:		
Nivelul presiunii acustice (LpA)	dB(A)	88,4
Nivelul de putere acustică (LwA)	dB(A)	99,4
Incertitudine (K)	dB	3
Valorile totale ale vibrațiilor ah (suma vectorului triax) și incertitudinea K determinate în conformitate cu EN 60745-1, EN 60745-2-6		
Nivel max vibrații:		
Nivel vibrații (ah,HD)	m/s ²	15,5
Incertitudine (K)	m/s ²	1,5

IDENTIFICARE (FIG. 1)

1. Chuck
2. Buton de selectare a modului
3. Comutator de operare
4. Capac pensulă
5. Mâner auxiliar

OPERAȚIUNE

PREGĂTIREA UNITĂȚII

Despachetarea și completarea ansamblului trebuie făcute pe o suprafață plană și stabilă, cu suficient spațiu pentru deplasarea mașinii și a ambalajului acesteia, folosind întotdeauna echipamentul adecvat.

NOTĂ

Motorul electric instalat este complet cablat, gata de funcționare. Conexiunea clientului la sistemul de alimentare cu energie și orice cabluri prelungitoare care pot fi utilizate trebuie să fie conforme cu reglementările locale. Verificați periodic cablurile de conectare electrică pentru a nu se deteriora. Asigurați-vă că cablul este deconectat de la rețea atunci când verificați. Cablurile de conectare electrică trebuie să respecte reglementările aplicabile în țara dumneavoastră.

- ▶ Tensiunea de rețea trebuie să coincidă cu tensiunea specificată pe placa de identificare a motorului.
- ▶ Cablurile dimensionale de până la o lungime de 25m trebuie să aibă o secțiune transversală de

1,5mm² și peste 25m cel puțin 2,5mm².

- ▶ Conexiunea la rețea trebuie protejată cu o siguranță adecvată cu acțiune lentă.

AVERTIZARE

Conectați aparatul numai la o priză cu contactul la sol instalat corespunzător.

Ansamblu auxiliar de mânăre (Fig. 2)

Poziționați ansamblul mânerului auxiliar pe manșonul mașinii și rotiți mânerul acestuia pentru a strânge ferm ansamblul în poziție.

Asamblarea sculei (Fig. 3)

Adăugați niște insoare pe punctul de asamblare al mașinii și împingeți-o în mandrină, rotind-o dacă este necesar, până când se blochează în poziție cu un sunet de clic.

Dezasamblarea mașinii (Fig. 4)

Apăsăți mandrina pentru a debloca mașina și trageți mașina afară pentru a o scoate din mandrină.

FUNCȚIONAREA UNITĂȚII

AVERTIZARE

Nu activați comutatorul de operare în timp ce schimbați între diferite moduri de operare.

Pornirea unității (Fig. 5)

Pentru a porni unitatea, apăsați comutatorul de operare. Viteza mașinii este, de asemenea, gestionată de nivelul de implicare pe comutatorul de funcționare, viteza maximă însemnând angajament complet.

Oprirea unității (Fig. 6)

Pentru a opri unitatea, decuplați complet comutatorul de operare.

Modul de găurire a ciocanului (Fig. 7)

Pentru a seta aparatul în modul de găurire a ciocanului, rotiți butonul de selectare a modului (Fig. 1.2) în conformitate cu poziția indicată în Fig. 7.

Reglarea sculei daltei (Fig. 8)

Pentru a regla unghiul vârfului mașinii de daltă, reglați aparatul în modul de reglare a mașinii daltei rotind butonul de selectare a modului în consecință în poziția indicată în Fig. 8. Activați comutatorul de operare pentru a roti instrumentul daltă la unghiul dorit.

Mod de dăltuire (Fig. 9)

Pentru a seta aparatul în modul daltă, rotiți butonul de selectare a modului în consecință în poziția indicată în Fig. 9.

Poziționarea piesei de lucru

Ca regulă generală, utilizați un viciu sau un alt dispozitiv de prindere adecvat pentru a fixa o piesă mică de lucru în poziție. Nu țineți niciodată piesa de lucru cu mâna. Asigurați-vă că piesa de lucru nu se poate roti. Acest lucru se realizează cel mai bine prin plasarea piesei de lucru / viciu mașină pe un bloc robust.

ÎNTREȚINERE ȘI CURĂȚARE

La fiecare șase luni până la un an (în funcție de frecvența și intensitatea utilizării), duceți mașina la cea mai apropiată unitate de service pentru următoarele operațiuni de service:

- ▶ Lubrifiere.
- ▶ Inspecția și înlocuirea pensulei.
- ▶ Inspecție mecanică și curățare (angrenaje, rulmenți etc.).
- ▶ Inspecție electrică (comutator, cablu etc.).
- ▶ Testare pentru a asigura funcționarea mecanică și electrică corespunzătoare.

AVERTIZARE

Pentru propria siguranță, opriți comutatorul și scoateți ștecherul de la priză sursei de alimentare înainte de orice operație de întreținere a burghiului.

Păstrați aparatul curat. Pentru a evita deteriorarea motorului, suflați sau aspirați frecvent acest motor pentru a împiedica praful de presă de foraj să interfereze cu ventilarea normală a motorului.

PERII DE CARBON PENTRU MOTOR

Îndepărtați și verificați în mod regulat perii de carbon ai motorului. Păstrați-le curate și înlocuiți-le dacă este prezentă uzura excesivă.

Pentru a înlocui perii de carbon:

1. Utilizați o șurubelniță pentru a scoate capacul suportului pensulei.
2. Scoate perii de carbon uzați.
3. Insert noile perii de carbon.

NOTĂ

Perii de carbon trebuie înlocuite în perechi identice, indiferent de uzura individuală.

4. Fixați capacul suportului pensulei.

După înlocuirea pensulelor, conectați mașina și rupeți pensulele rulând instrumentul fără sarcină timp de aproximativ 10 minute. Apoi verificați dacă mașina funcționează corect și frâna electrică pentru a opri rotația mașinii la eliberarea declanșatorului întrerupătorului, conform standardelor din fabrică.

CABLUL DE ALIMENTARE

Pentru a evita pericolul de șoc sau incendiu, în cazul în care cablul de alimentare este un vierme sau este tăiat sau este deteriorat în vreun fel, puneți-l înlocuit imediat. Cablurile de conectare electrică suferă deseori deteriorări ale izolației. Cauzele posibile sunt:

1. Puncte de perforare atunci când cablurile de conectare trec prin golurile ferestrelor sau ușilor.
2. Răsuciri rezultate din atașarea încorectă sau așezarea cablului de conectare.
3. Tăieturi rezultate din trecerea peste cablul de conectare.
4. Deteriorarea izolației rezultată din extragerea cu forță a prizei de perete.
5. Crăpături prin îmbătrânirea izolației.

Astfel de cabluri de conectare electrică defecte nu trebuie utilizate, deoarece deteriorarea izolației le face extrem de periculoase.

LUBRIFICARE

Ungeți periodic părțile în mișcare.

CURĂȚAREA

Utilizați o perie mică moale pentru a curăța exteriorul unității. Nu folosiți detergenți puternici. Produsele de curățat pentru uz casnic care conțin uleiuri aromatice precum pinul și lămâia și solvenți precum kerosenul pot deteriora carcasa sau mânerul din plastic. Ștergeți umezeala cu o cârpă moale. Dacă este necesar, îndepărtați praful, murdăria și reziduurile de prelucrare cu un aspirator adecvat.

DEPOZITARE

AVERTIZARE

Opriți comutatorul și scoateți ștecherul din priză pentru a stoca aparatul. Depozitați unitatea numai în zone uscate și bine ventilate.

În cazul în care unitatea va fi stocată pentru o perioadă mai lungă de timp, utilizați următoarea procedură de stocare:

1. Curățați temeinic unitatea și verificați dacă există părți libere sau deteriorate. Reparați sau înlocuiți piesele deteriorate și strângeți șuruburile, piulițele sau șuruburile.
2. Ungeți și aplicați grăsime, acolo unde este necesar.
3. Depozitați unitatea în ambalajul original.

PROTECȚIA MEDIULUI

Reciclați materiile prime în loc să le aruncați ca deșeurii. Mașina, accesoriile și ambalajele trebuie sortate pentru reciclare ecologică. Componentele din plastic sunt etichetate pentru reciclare clasificată.

Acest produs nu trebuie eliminat împreună cu deșeurile menajere, în conformitate cu legislația relativă referitoare la deșeurile de echipamente electrice și electronice. Acest produs trebuie eliminat la un punct de colectare desemnat. Acest lucru se poate întâmpla, de exemplu, prin predarea la un punct de colectare autorizat pentru reciclarea deșeurilor de echipamente electrice și electronice. Manipularea necorespunzătoare a deșeurilor de echipamente poate avea consecințe negative asupra mediului și sănătății umane din cauza substanțelor potențial periculoase care sunt adesea conținute în echipamentele electrice și electronice. Eliminând în mod corespunzător acest produs, contribuiți și la utilizarea eficientă a resurselor naturale.

Puteți obține informații despre punctele de colectare a echipamentelor de deșeurii de la administrația dvs. municipală, autoritatea publică de eliminare a deșeurilor, un organism autorizat pentru eliminarea deșeurilor de echipamente electrice și electronice sau de la firma dvs. de eliminare a deșeurilor.

GARANȚIE

Acest produs este garantat în conformitate cu reglementările legale / specifice țării, începând cu data cumpărării de către primul utilizator. Daunele atribuite uzurii normale, suprasolicitării sau manipulării necorespunzătoare vor fi excluse din garanție. În cazul unei reclamații, vă rugăm să trimiteți mașina, complet asamblată, la dealerul dvs. sau la centrul de service oficial.

MAGYAR

ÁLTALÁNOS BIZTONSÁGI FIGYELMEZTETÉSEK

termék használata előtt olvassa el és értse meg ezt a használati útmutatót. Segíthet megelőzni a baleseteket, ha ismeri terméke kezelőszerveit, és betartja a biztonságos üzemeltetési eljárásokat és a biztonsági jelzéseket. Mindig használja a józan eszét, hogy elkerüljön minden olyan helyzetet, amely meghaladja képességeit. Ne használja, ha fáradt vagy kábítószert, alkoholt vagy bármilyen más gyógyszer hatása alatt áll. Működés közben tartsa távol a szemlélődőket és az állatokat, amelyek megsérülhetnek, valamint azokat a tárgyakat, amelyek megsérülhetnek. Soha ne engedje, hogy gyermekek vagy olyan személyek használják a terméket, akik nem ismerik ezeket az utasításokat. A helyi törvények korlátozhatják az üzemeltető alsó korhatárát. Ne feledje, hogy az üzemeltető vagy a felhasználó felelős a más emberek, állatok vagy azok tulajdonát érintő balesetekért vagy váratlan eseményekért. Ne tegye ki a terméket túlzott nedvességnek, pornak, szennyeződésnek vagy korrozív gőznek. Ne szereljen a gépre olyan berendezéseket vagy tartozékokat, amelyeket a gyártó nem tervezett vagy nem hagyott jóvá. Soha ne kísérelje meg módosítani a terméket. A nem engedélyezett módosítások vagy tartozékok súlyos személyi sérülést vagy a kezelő vagy mások halálát okozhatják. A jelen kézikönyvben nem szereplő szét szereléssel és szervizeléssel kapcsolatban forduljon hivatalos forgalmazójához. Ha munka közben valami eltörik vagy baleset történik, azonnal kapcsolja ki a gépet és vigye el, hogy elkerülje a további károsodást. Ha idegen test került a gépbe, azonnal állítsa le, ellenőrizze, hogy nem sérült-e, és javítsa meg, mielőtt újraindítaná.

VÉDŐ FELSZERELÉS

Ügyeljen arra, hogy megfelelő és minősített védőfelszerelést használjon az egység működtetése során. Mindig viseljen mozgást nem akadályozó ruházatot, védőkesztyűt, védőszemüveget, féllárcos légzőkészüléket, fülvédőt és csúszásmentes talpú, nyírásálló biztonsági csizmát. Soha ne viseljen sálát, nyakláncot vagy bármilyen lógó vagy csapkodó kiegészítőt és ruhát, amely beakadhat a gépbe. Kösse fel a haját, ha hosszú.

TŰZ- ÉS ÉGÉSI VESZÉLYEK

Az elektromos berendezések meghibásodása szikrákat okozhat, amelyek meggyújthatják a gyúlékony anyagokat.

Ügyeljen arra, hogy a munkaterület tiszta és rendezett legyen, és ne használja a gépet gyúlékony anyagok közelében. Ha tűz keletkezik, használjon megfelelő tűzoltó készüléket.

Munka után ne érintse meg a forgó alkatrészeket és a fűrészszerzőt. Egyes felületek használat közben nagyon felforrósodhatnak, és hagyni kell őket lehűlni, mielőtt megérintené őket.

KATEGÓRIA BIZTONSÁGI FIGYELMEZTETÉSEK

BIZTONSÁGOS MŰKÖDÉS

gép összes működtető karjának könnyen kell mozognia egyik helyzetből a másikba, és nem kell erőltetni. Az elektromos kábeleknél és különösen a fő csatlakozókábelnél kifogástalan állapotban kell lenniük, hogy elkerüljük a szikraképződést vagy az áramütés veszélyét. A fogantyúknak és a védőeszközöknek tisztának és száraznak kell lenniük, valamint biztonságosan kell rögzíteni a géphez. Működtesse a gépet két kézzel. Ügyeljen arra, hogy minden munkához mindig a megfelelő szerzőt használja, hogy elkerülje a gép meghibásodását vagy sérülését, és elkerülje a gép túlterhelését. Az elektromos hálózat névleges feszültségének és frekvenciájának meg kell felelnie a gép specifikációinak. Győződjön meg arról, hogy a gép kapcsolója ki van kapcsolva, amikor bedugja, hogy elkerülje a véletlen indításból eredő kockázatokat. Használat előtt távolítson el minden kulcsot és csavarkulcsot a gépből.

Győződjön meg arról, hogy leállította a gépet, és húzta ki a konnektorból:

- ▶ Tartozékok és szerzők felszerelésekor vagy eltávolításakor.
- ▶ Amikor felügyelet nélkül hagyja a gépet.
- ▶ Tisztítás vagy karbantartás közben.
- ▶ A gép áthelyezése, szállítása vagy tárolása során.

A gép meghibásodása vagy elakadása esetén azonnal kapcsolja ki a gépet, és húzza ki az áramforrásból. A gépet nem szabad újra beindítani, ha az elakadást nem szüntették meg, vagy ha a meghibásodást nem javítják, szükség esetén egy hivatalos szervizközpontban. A gép elakadhat, ha:

- ▶ Az elektromos kéziszerszám túlterhel.
- ▶ A megmunkálendő munkadarab beszorult.

ELEKTROMOS VESZÉLYEK

Győződjön meg arról, hogy a gép elektromos kábelelei és a hálózati csatlakozó, amelyhez csatlakoztatva van, jó állapotban vannak és nem kopottak. Soha ne használjon sérült gépet, vagy olyan gépet, amelynek elektromos kábelelei és csatlakozói sérültek vagy elhasználódtak. Ne tegye ki a gépet és az elektromos kábeleket nedves körülményeknek, és soha ne érintse meg, ha nedves. Használjon földelt csatlakozóaljat.

Az áramütés veszélyének elkerülése érdekében ne érintkezzen földelt felületekkel vagy elektromos kábelekkel. Ne a kábellel húzza ki a dugót a konnektorból.

A tápkábel sérülésének elkerülése érdekében mindig vezesse el a tápkábelt a gép hátuljától, és óvja a hőtől, olajtól és éles tárgyaktól. Ha a gépet kültérben kívánja használni, csak kültéri használatra szánt hosszabbítót használjon. Bármely hosszabbító kábel keresztmetszetének legalább 1,5 mm²-nek kell lennie, és a hálózati csatlakozást megfelelő biztosítékkal kell védeni.

A FORGÓ ALKATRÉSZEK VESZÉLYEI

A forgó alkatrészek súlyos sérüléseket okozhat-

nak. Kerülje el, hogy a forgó alkatrészekkel érintkezzen, amikor azok még forognak, és ügyeljen arra, hogy minden, ami beszerülhet a működő gépbe, mint például a laza haj és a ruházat, távol legyen. A gép használata közben tartsa távol kezét a megmunkálási területől. munkadarabok és szerszámok kiütést okozhatnak, és sérülésekhez és anyagi károkhoz vezethetnek. Ügyeljen arra, hogy a gép és a szerszámok mindig jó állapotban legyenek. Használjon bilincseket vagy satut a munkadarab szilárdan a helyén tartásához. Ne dolgozzon olyan tárgyakon, amelyek túl kicsik ahhoz, hogy biztonságosan rögzítsék.

Ellenőrizze a mozgó és forgó alkatrészek helyes beállítását, vagy más olyan hibákat, amelyek veszélyforrást jelenthetnek. A sérült védőburkolatot vagy más alkatrészt a gép üzembe helyezése előtt ki kell cserélni egy hivatalos szervizközpontban.

Ne érintse meg a forgó részeket, mielőtt azok teljesen leálltak.

ZAJ ÉS REZGÉSVESZÉLY

Az ebben az útmutatóban feltüntetett zaj- és rezgésszintek a gép használatának maximális szintjei. A nem megfelelő karbantartás jelentős hatással van a rezgés- és zajkibocsátásra. Következésképpen megelőző lépéseket kell tenni a magas zajszint és a vibrációból eredő terhelés miatti esetleges károk kiküszöbölésére. Gondosan karbantartsa a gépet, viseljen fülvédőt, rezgés-csillapító kesztyűt és tartson szüneteket a munkavégzés során. A gép stabil sebességgel történő működtetése és a fogantyúk megfelelő erővel történő erős megfogása csökkentheti a rezgésszintet. Munkanapokon gyakori és megfelelő szüneteket kell tartania, hogy elkerülje a vibráció okozta károsodást és a fülkárosodást. A hosszan tartó vibrációnak való kitettség sérüléseket és idegrendszeri rendellenességeket okozhat, különösen a keringési zavarokban szenvedőknél. A tünetek a kézre, a csuklóra és az ujjakra vonatkozhatnak, és az érzékenység elvesztésével, toporzással, viszketéssel, fájdalommal és a bőr elszíneződésével vagy szerkezeti változásaival nyilvánulnak meg. Ezeket a hatásokat ronthatja az alacsony környezeti hőmérséklet vagy a fogantyúk túlzott megfogása. Ha ilyen tünetek jelentkeznek, csökkenteni kell a gép használati idejét, és orvoshoz kell fordulni.

MUNKATERÜLET VESZÉLYEI

Alaposan ellenőrizze az egész munkaterületet, és használjon gereblyét vagy kerti kését a törmelék kézi fellazításához, és távolítsa el mindent, ami veszélyes forrás lehet az Ön számára vagy kárt okozhat a gépben. Tartsa tisztán és rendszerben a munkaterületet. Ne működtesse a gépet nedves környezetben, vagy amikor maga a gép nedves. Tartsa távol a gépet gyúlékony anyagoktól. Ellenőrizze, hogy nincsenek-e kívülálló, állatok vagy tárgyak, amelyek megsérülhetnek a gép működési tartományában.

Csak jól szellőző helyen működtesse. A faporgács és a fűrészpor belélegezve vagy szembe kerülve

egészségkárosító hatású lehet. Mindig viseljen megfelelő félálarcos légzőkészüléket és védőszemüveget, ha ilyen anyagokkal dolgozik, és használjon porszívó berendezést.

Csak nappali fényben vagy megfelelő mesterséges megvilágítás mellett, jó látási viszonyok között dolgozzon. Törekedjen arra, hogy ne okozzon zajt, csak a nap ésszerű időszakában használja a gépet.

Vegyen fel szilárd és kiegyensúlyozott pozíciót. Lehetőség szerint kerülje a nedves, csúszós talajon végzett munkát, vagy minden esetben egyetlen vagy meredek talajon, amely nem garantálja a stabilitást a kezelő számára.

A használaton kívüli szerszámokat száraz és biztonságos helyen kell tárolni, távol a kezelőgéptől és gyermekektől elzárva.

FENNTARTÓ VESZÉLYEK

A gépet modern technológiával és az elismert biztonsági szabályok betartásával építették. Még akkor is, ha minden biztonsági intézkedés megvan, jelen lehet néhány fennmaradó, még nem nyilvánvaló veszély. A kezelőnek józan eszét kell követnie, és meg kell tennie a szükséges óvintézkedéseket a fennmaradó veszélyek miatti kockázatok elkerülése érdekében.

TERMÉKLÉÍRÁS

RENDELTETTESZERŰ HASZNÁLAT

Ezt a gépet munkadarabok fűrésszel (pl. beton, fém és hasonló anyagok) vagy véséssel (pl. beton és hasonló anyagok) történő megmunkálására tervezték és gyártották. fent említettektől eltérő bármely más használat veszélyes lehet, embereket és/vagy tárgyakat és magát a gépet károsíthatja.

HELYTELEN HASZNÁLAT

A gépet tilos veszélyes anyagok megmunkálására használni, pl. gyúlékony vagy robbanásveszélyes termékek felhalmozódása és bármilyen más tárgy, amely veszélyes lehet magára a gépre, valamint a kezelőre, a közelben lévőkre, az állatokra vagy a tulajdonra.

A helytelen használat egyéb példái közé tartozhat, de nem kizárólagosan, a gép üzemeltetése:

- ▶ A gyártó által szállított eredeti tartozékok nélkül.
- ▶ Eredeti tartozékokkal, de a használati utasításnak nem megfelelő módon.
- ▶ Eredeti alkatrészek nélkül.
- ▶ Engedély nélküli módosításokkal.

JEGYZET

A hatályos termékelőírások törvények értelmében a készülek gyártója nem vállal felelősséget a termékben bekövetkezett vagy a termék által okozott kárért, amelyek az alábbiak miatt következnek be:

- ▶ A szakszerűtlen kezelés nem tartotta be a használati utasítást.
- ▶ Harmadik felek, nem pedig felhatalmazott szerviztechnikusok által végzett javítások.
- ▶ Nem eredeti alkatrészek beszerelése.

- ▶ Nem rendeltetésszerű használat.
- ▶ Az elektromos rendszer meghibásodása a gép áramellátása miatt, amely nem felel meg az elektromos és VDE előírásoknak.

MŰSZAKI ADATOK		
Cikkszám	46 609	
Modell	RH 4-32 PRO	
Névleges feszültség	V	220-240
Névleges frekvencia	Hz	50
Névleges teljesítmény	W	1.300
Névleges terhelés nélküli sebesség	min ⁻¹	0 - 850
Hatás mértéke	min ⁻¹	0 - 4.500
Ütés energia	J	4,8
Chuck típusú	SDS PLUS	
Nettó tömeg	kg	4,7
Max. fúrás Ø		
Konkrét	mm	32
Az EN 60745-1, EN 60745-2-6 szerint meghatározott zajkibocsátási értékek		
A termék A-súlyozott zajsztintjei általában a következők:		
Hangnyomásszint (LpA)	dB(A)	88,4
Hangteljesítmény szint (LwA)	dB(A)	99,4
Bizonytalanság (K)	dB	3
Az EN 60745-1, EN 60745-2-6 szerint meghatározott rezgési összértékek ah (triax vektorösszeg) és K bizonytalanság		
Maximális rezgésszint:		
Rezgésszint (ah, HD)	m/s ²	15,5
Bizonytalanság (K)	m/s ²	1,5

AZONOSÍTÁS (1. ÁBRA)

1. Chuck
2. Módválasztó gomb
3. Működési kapcsoló
4. Kefesapka
5. Segédfogantyú

MŰVELET

AZ EGYSÉG ELŐKÉSZÍTÉSE

A kicsomagolást és az összeszerelést sík és stabil felületen kell végezni, elegendő hely legyen a gép

és a csomagolás mozgatásához, mindig megfelelő felszerelést használva.

JEGYZET

A beépített villanymotor üzemképpen teljesen be van kötve. A fogyasztónak az áramellátó rendszerhez való csatlakozásának és az esetlegesen használt hosszabbító kábeleknek meg kell felelniük a helyi előírásoknak. Rendszeresen ellenőrizze az elektromos csatlakozókábeleket, hogy nem sérültek-e. Ellenőrzéskor győződjön meg arról, hogy a kábel ki van húzva a hálózatból. Az elektromos csatlakozókábeleknek meg kell felelniük az Ön országában érvényes előírásoknak.

- ▶ hálózati feszültségnek meg kell egyeznie a motor adattábláján megadott feszültséggel.
- ▶ A legfeljebb 25 m hosszúságú kábelnek keresztmetszete 1,5 mm², 25 méteren túl pedig legalább 2,5 mm².
- ▶ A hálózati csatlakozást megfelelő lassú működésű biztosítókkal kell védeni.

FIGYELEM

A gépet csak olyan aljzathoz csatlakoztassa, amelyen a megfelelő földelési érintkező van.

Segédfogantyú-szerelvény (2. ábra)

Helyezze a segédfogantyú-szerelvényt a gép hüvelyére, és forgassa el a fogantyút, hogy szilárdan rögzítse a szerelvényt.

Szerszám összeállítás (3. ábra)

Adjon hozzá némi zsírt a szerszám összeszerelési pontjára, és nyomja be a tokmányba, szükség esetén forgassa el, amíg egy kattanással a helyére nem rögzül.

Szerszám szétszerelés (4. ábra)

Nyomja be a tokmányt a szerszám reteszelésének feloldásához, és húzza ki a szerszámot, hogy eltávolítsa a tokmányból.

AZ EGYSÉG MŰKÖDTETÉSE

FIGYELEM

Ne kapcsolja be a működési kapcsolót, miközben vált a különböző üzemmódok között.

Az egység indítása (5. ábra)

Az egység indításához nyomja be a működési kapcsolót. A gép sebességét a működési kapcsoló bekapcsolási szintje is szabályozza, a maximális sebesség pedig teljes bekapcsolást jelent.

Az egység leállítás (6. ábra)

Az egység leállításához teljesen kapcsolja ki a működési kapcsolót.

Kalapácsos fúró üzemmód (7. ábra)

Az egység ütvefúró üzemmódba állításához forgassa el az üzemmódválasztó gombot (1.2. ábra) a 7. ábrán látható helyzetnek megfelelően.

Vésőszerszám beállítása (8. ábra)

A vésőszerszám hegyének szögének beállításához állítsa az egységet vésőszerszám beállítási módba az üzemmódválasztó gomb megfelelő elforgatásával a 8. ábrán látható helyzetbe. Kap-

csolja be a működtető kapcsolót a vésőszerszám kívánt szögbe forgatásához.

Véső üzemmód (9. ábra)

Az egység véső üzemmódba állításához forgassa el az üzemmódválasztó gombot a 9. ábrán látható pozícióba.

A munkadarab elhelyezése

Általános szabály, hogy egy satut vagy más megfelelő rögzítőeszközt használjon egy kis munkadarab rögzítéséhez. Soha ne tartsa kézzel a munkadarabot a helyén. Ügyeljen arra, hogy a munkadarab ne tudjon elfordulni. Ezt úgy érheti el a legjobban, ha a munkadarabot/gépsatuját egy erős blokkra helyezi.

KARBANTARTÁS ÉS TISZTÍTÁS

Hathavonta egyévente (a használat gyakoriságától és intenzitásától függően) vigye el gépét a legközelebbi szervizközpontba a következő szervizelési műveletek elvégzésére:

- ▶ Kenés.
- ▶ Kefe ellenőrzés és csere.
- ▶ Mechanikai ellenőrzés és tisztítás (fogaskerekek, csapágycsák, stb.).
- ▶ Elektromos ellenőrzés (kapcsoló, kábel stb.).
- ▶ Tesztelés a megfelelő mechanikai és elektromos működés biztosítására.

FIGYELEM

Saját biztonsága érdekében kapcsolja ki a kapcsolót, és húzza ki a dugót az áramforrásból, mielőtt bármilyen karbantartási műveletet végezne a fűróprésen. Tartsa tisztán készülékét. A motor károsodásának elkerülése érdekében gyakran fújja ki vagy porszívózza ki ezt a motort, hogy a fűróprés por ne zavarja a motor normál szellőzését.

MOTOR SZÉNKEFÉK

Rendszeresen távolítsa el és ellenőrizze a motor szénkeféit. Tartsa tisztán és cserélje ki, ha túlzott kopás tapasztalható.

A szénkefék cseréje:

1. Csavarhúzóval távolítsa el a kefetartó kupakját.
2. Vegye ki a kopott szénkeféket.
3. Helyezze be az új szénkeféket.

JEGYZET

1. A szénkeféket azonos párokban kell cserélni, függetlenül az egyéni kopástól.
2. Rögzítse a kefetartó sapkáját.

A kefék cseréje után csatlakoztassa a szerszámot a konnektorhoz, és törje be a keféket úgy, hogy körülbelül 10 percig terhelés nélkül járassa a keféket. Ezután ellenőrizze a szerszám megfelelő működését és az elektromos féket, hogy megállítsa a szerszám forgását a kapcsoló kioldójának elengedésekor, a gyári szabványoknak megfelelően.

TÁPKÁBEL

Az áramütés vagy tűzveszély elkerülése érdekében, ha a tápkábel férges vagy elvágódott, vagy bármilyen módon megsérült, azonnal cseréltesse ki. Az elektromos csatlakozókábelek gyakran szigetelési sérülést szenvednek. Lehetséges okok a

következők:

1. Lyukasztási pontok, amikor a csatlakozókábelek ablak- vagy ajtórésein vannak átvezetve.
 2. A csatlakozókábel helytelen rögzítéséből vagy fektetéséből adódó megtörések.
 3. Vágások a csatlakozó kábelben való átfutásból.
 4. Szigetelési sérülés a fali konnektorból való erőteljes kihúzásból.
 5. Repedések a szigetelés előregedése miatt.
- Az ilyen hibás elektromos csatlakozókábeleket nem szabad használni, mivel a szigetelési sérülése rendkívül veszélyessé teszi őket.

KENÉS

Rendszeresen kenje meg a mozgó alkatrészeket.

TISZTÍTÁS

Használjon kis puha kefét a készülék külsejének tisztításához. Ne használjon erős tisztítószereket. Az aromás olajokat, például fenyő- és citromolajat és oldószereket, például kerozint tartalmazó háztartási tisztítószerek károsíthatják a műanyag házat vagy a fogantyút. Puha ruhával törölje le a nedvességet. Szükség esetén megfelelő porszívóval távolítsa el a port, szennyeződést és a megmunkálási maradványokat.

TÁROLÁS FIGYELEM

A gép tárolásához kapcsolja ki a kapcsolót, és húzza ki a dugót az áramforrásból. A készüléket csak száraz és jól szellőző helyen tárolja. Ha a készülék hosszabb ideig tárolja, kövesse az alábbi tárolási eljárást:

1. Álopson tisztítsa meg az egységet, és ellenőrizze, hogy nincsenek-e laza vagy sérült részek. Javítsa meg vagy cserélje ki a sérült alkatrészeket, és húzza meg a meglazult csavarokat, anyákat vagy csavarokat.
2. Kenje meg és kenje be zsírral, ahol szükséges.
3. Tárolja a készüléket az eredeti csomagolásában.

KÖRNYEZETVÉDELEM

Hasznosítsa újra a nyersanyagokat ahelyett, hogy hulladékként dobná el. A gépet, a tartozékokat és a csomagolást szét kell válogatni a környezetbarát újrahasznosítás érdekében. A műanyag alkatrészek kategorizált újrahasznosítás céljából vannak felcímkézve.

Ezt a terméket nem szabad a háztartási hulladékkal együtt kidobni az elektromos és elektronikus berendezések hulladékaira vonatkozó jogszabályoknak megfelelően. Ezt a terméket a kijelölt gyűjtőhelyen kell leadni. Ez történhet például az elektromos és elektronikus berendezések hulladékainak újrahasznosítására kijelölt gyűjtőhelyen történő leadásával. A hulladék berendezések nem megfelelő kezelése negatív következményekkel járhat a környezetre és az emberi egészségre az elektromos és elektronikus berendezésekben gyakran előforduló potenciálisan veszélyes anyagok miatt. A termék megfelelő ártalmatlanításával Ön a természeti erőforrások hatékony felhasználásáért tehet.

nálásához is hozzájárul. hulladékok gyűjtőhelyeiről tájékozódhat az önkormányzattól, a hulladékkezelésért felelős hatóságtól, az elektromos és elektronikus berendezések hulladékainak ártalmatlanításával megbízott szervezettől vagy a hulladékártalmatlanító cégtől.

GARANCIA

Erre a termékre a törvényi/országspecifikus előírásoknak megfelelő garanciát vállalunk, amely az első felhasználó általi vásárlás napjától érvényes. A normál kopásból, túlterhelésből vagy szakszerűtlen kezelésből eredő károk nem tartoznak a garancia hatálya alá. Reklamáció esetén kérjük, küldje el a gépet teljesen összeszerelve a kereskedőhöz vagy a hivatalos szervizközponthoz.

LIETUVIŪ K.

BENDRIEJI SAUGOS ĮSPĖJIMAI

Prieš naudodami šį gaminį perskaitykite ir supraskite šį savininko vadovą. Galite padėti išvengti nelaimingų atsitikimų susipažinę su savo gaminio valdikiškais ir laikydamiesi saugaus naudojimo procedūrų bei saugos ženklų. Visada vadovaukitės sveiku protu, kad išvengtumėte visų situacijų, kurios viršija jūsų galimybes. Nenaudokite, kai esate pavargę arba apsvaigę nuo narkotikų, alkoholio ar kitų vaistų. Darbo metu pašalinus asmenis ir gyvūnus, kurie gali būti sužaloti, taip pat daiktus, kurie gali būti sugadinti, laikykite atokiau. Niekada neleiskite vaikams ar žmonėms, kurie nėra susipažinę su šiomis instrukcijomis, naudoti gaminį. Vietiniai įstatymai gali apriboti mini-malų operatoriaus amžių. Turėkite omenyje, kad operatorius arba naudotojas yra atsakingas už nelaimingus atsitikimus ar netikėtus įvykius, įvykusius kitiems žmonėms, gyvūnams ar jų turtui. Saugokite gaminį nuo per didelės drėgmės, dulkių, purvo ar korozinių garų. Ant mašinos nemontuokite įrangos ar priedų, kurių nenumatė arba nepatvirtino gamintojas. Niekada nebandykite modifikuoti gaminio. Neleistini pakeitimai ar priedai gali sukelti rimtų kūno sužalojimų arba operatoriaus ar kitų asmenų mirtį. Kreipkitės į savo įgaliotąjį platintoją dėl išmontavimo ir techninės priežiūros, kurių šiame vadove neaprašyta. Jei kas nors sulūžtų arba įvyktų nelaimingas atsitikimas dirbant, nedelsdami išjunkite mašiną ir nuneškite ją, kad išvengtumėte tolesnių pažeidimų. Jei į mašiną pateko svetimkūnis, nedelsdami ją sustabdykite, patikrinkite, ar nepažeista, ir prieš vėl paleisdami pataisykite.

APSAUGINĖ ĮRANGA

Naudodami įrenginį įsitikinkite, kad naudojate tinkamas ir sertifikuotas apsaugos priemones. Visada dėvėkite judesių netrukdančius drabužius, apsaugines pirštines, akinius, respiratorių su puskauke, ausų apsaugas ir apsauginius batus nuo kirpimo neslystančiais padais. Niekada nedėvėkite šalikų, vėrinių, kabančių ar besiplečiančių priedų ir drabužių, kurie gali įstrigti mašinoje. Suriškite plaukus, jei jie ilgi.

GAISRO IR NUDEGIMO PAVOJUS

Dėl elektros įrangos veikimo sutrikimų gali atsirasti kibirkščiai, kurios gali uždegti degias medžiagas. Įsitikinkite, kad darbo vieta yra švari ir tvarkinga, ir nenaudokite mašinos šalia degių medžiagų. Kilus gaisrui, naudokite tinkamą gesintuvą. Po darbo nelieskite besisukančių dalių ir gręžimo įrankio. Kai kurie paviršiai naudojimo metu gali labai įkaisti, todėl prieš liečiant juos reikia leisti šiek tiek atvėsti.

KATEGORIJS SAUGOS ĮSPĖJIMAI

SAUGI EKSPLOATACIJA

Visos mašinos valdymo svirtys turi lengvai judėti iš vienos padėties į kitą ir nereikės veržti. Elek-

tros laidai, ypač pagrindinio kištuko kabelis, turi būti nepriekaištingos būklės, kad būtų išvengta kibirkščių susidarymo arba elektros smūgio pavojaus. Rankenos ir apsaugos įtaisai turi būti švarūs ir sausi, taip pat patikimai pritvirtinti prie mašinos. Valdykite mašiną abiem rankomis. Įsitinkinkite, kad kiekvienam darbui visada naudojate tinkamą įrankį, kad išvengtumėte mašinos gedimo ar sužeidimų ir išvengtumėte mašinos perkrovos. Elektros tiekimo įtampa ir dažnis turi atitikti mašinos specifikacijas. Įsitinkinkite, kad mašinos jungiklis yra išjungtas, kai jį prijungiate, kad išvengtumėte netyčinio paleidimo rizikos. Prieš naudodami mašiną, išimkite visus raktus ir veržliarakčius.

Įsitinkinkite, kad sustabdėte mašiną ir ištraukėte kištuką iš elektros tinklo:

- ▶ Montuojant arba nuimant priedus ir įrankius.
- ▶ Kai paliekate mašiną be priežiūros.
- ▶ Valymo ar priežiūros metu.
- ▶ Mašinos perkėlimo, transportavimo ar sandėliavimo metu.

Jei mašina sugenda arba užstringa, nedelsdami išjunkite aparatą ir atjunkite jį nuo maitinimo šaltinio. Jei reikia, įgaliotajame techninės priežiūros centre mašinos negalima paleisti iš naujo, jei strigtis nepašalinata arba gedimas nepataisytas. Mašina gali užstrigti, kai:

- ▶ Elektrinis įrankis perkrautas.
- ▶ Apdirbamas ruošinys yra užstrigęs.

ELEKTROS PAVOJUS

Įsitinkinkite, kad mašinos elektros laidai ir maitinimo kištukas, prie kurio jis prijungtas, yra geros būklės ir nenusidėvėję. Niekada nenaudokite sugadintos mašinos arba mašinos su pažeistais arba susidėvėjusiais elektros laidais ir kištukais. Nelaikykite mašinos ir elektros laidų drėgnoje aplinkoje ir niekada nelieskite, kai jie šlapi. Naudokite kištukinį laidą su žemimimo kontaktu.

Nelieskite prie įžemintų paviršių ar elektros laidų, kad išvengtumėte elektros smūgio pavojaus. Nenaudokite laido kištuko ištraukimui iš lido.

Kad nepažeistumėte maitinimo kabelio, maitinimo laidą visada traukite toliau nuo mašinos galinės dalies ir saugokite nuo karščio, alyvos ir aštrių daiktų. Jei mašiną ketinate naudoti lauke, naudokite tik ilginamuosius laidus, skirtus naudoti lauke. Bet kurio ilginatuvu skerspūvis turi būti ne mažesnis kaip 1,5 mm2, o tinklo jungtis turi būti apsaugota atitinkamu saugikliu.

SUKIANČIŲ DALIŲ PAVOJUS

Besisukančios dalys gali rimtai susižaloti. Venkite liestis su besisukančiomis dalimis, kai jos vis dar sukasi, ir pasirūpinkite, kad viskas, kas gali būti įstrigusi veikiančiame įrenginyje, pvz., palaidi plaukai ir drabužiai, būtų atokiau. Dirbdami su mašina laikykite rankas toliau nuo apdirbimo zonos.

Darbinės dalys ir įrankiai gali susižaloti ir susižaloti bei sugadinti turtą. Įsitinkinkite, kad mašina ir įrankiai visada yra geros būklės. Naudokite spaustukus arba veržlę, kad ruošinys tvirtai laikytųsi savo vietoje. Nedirbkite su daiktais, kurie yra per maži, kad juos tvirtai pritvirtintumėte.

Patikrinkite, ar tinkamai sureguliuotos judančios

ir besisukančios dalys arba ar nėra kitų gedimų, kurie gali kelti pavojų. Pažeistą apsaugą ar kitą dalį prieš eksploatuojant mašiną turi pakeisti įgaliotasis techninės priežiūros centras.

Nelieskite besisukančių dalių, kol jos visiškai nestos.

TRIUŠMO IR VIBRACIJA PAVOJUS

Šioje instrukcijoje nurodyti triukšmo ir vibracijos lygiai yra didžiausi mašinos naudojimo lygiai. Nepakankama priežiūra turi didelę įtaką vibracijos ir triukšmo emisijai. Vadinasi, būtina imtis prevencinių priemonių, kad būtų pašalinta galima žala dėl didelio triukšmo ir vibracijos įtampimo. Gerai prižiūrėkite mašiną, mūvėkite ausų apsaugos priemonės, antivibracines pirštines ir dirbdami darykite pertraukas. Naudojant mašiną stabiliu greičiu ir tinkama jėga tvirtai suėmus už rankenų, gali sumažėti vibracijos lygis. Darbo dienos metu darykite dažnas ir pakankamas pertraukas, kad išvengtumėte vibracijos ir ausų pažeidimų. Ilgalais vibracijos poveikis gali sukelti traumų ir neurovaskulinių sutrikimų, ypač žmonėms, kenčiantiems nuo kraujotakos sutrikimų. Simptomai gali būti susiję su plauštakos, riešais ir pirštais, pasireiškiantys dėl jautrumo praradimo, niežėjimo, skausmo ir spalvos arba struktūrinių odos pokyčių. Šį poveikį gali sustiprinti žema aplinkos temperatūra arba per didelis rankenų suėmimas. Jei atsiranda tokių simptomų, reikia sustiprinti mašinos naudojimo laiką ir kreiptis į gydytoją.

PAVOJAI DARBO ZONOJE

Krupoščiai apžiūrėkite visą darbo zoną ir naudokite grėblį arba kiemo šepetį, kad rankiniu būdu atlaisvintumėte šiukšles ir pašalintumėte viską, kas gali būti jums pavojingas šaltinis arba sugadinti mašiną. Laikykite darbo vietą švarią ir tvarkingą. Nenaudokite mašinos drėgnoje aplinkoje arba kai pati mašina šlapi. Laikykite mašiną toliau nuo degių medžiagų. Patikrinkite, ar mašinos veikimo zonoje nėra pašalinių asmenų, gyvūnų ar daiktų, kurie galėtų būti pažeisti.

Dirbkite tik gerai vėdinamose patalpose. Medžio drožlės ir pjuvenos gali kelti pavojų sveikatai įkvėpus arba patekusios į akis. Dirbdami su tokiomis medžiagomis visada dėvėkite tinkamą puskaukės respiratorių ir apsauginius akinius bei naudokite dulkių nusiurbimo įtaisą.

Dirbkite tik dienos šviesoje arba esant tinkamam dirbtiniam apšvietimui, esant geram matomumui. Stenkitės nekelti triukšmo, naudodami šį įrenginį tik tinkamu paros metu.

Užimkite tvirtą ir gerai subalansuotą poziciją. Jei įmanoma, nedirbkite ant šlapios, slidžios žemės arba bet koku atveju nelygioje ar stačioje vietoje, kuri negarantuoja operatoriui stabilumo.

Nenaudojamus įrankius reikia laikyti sausoje ir saugioje vietoje, atokiau nuo veikiančios mašinos ir vaikams nepasiekiamoje vietoje.

LIKUSI PAVOJAI

Mašina buvo pagaminta naudojant šiuolaikines technologijas ir laikintis pripažintų saugos taisyklių. Net ir įgyvendinus visas saugos priemones,

gali kilti tam tikrų pavojų, kurie dar nėra akivaizdūs. Operatorius turi vadovautis sveiku protu ir imtis būtinų atsargumo priemonių, kad išvengtų rizikos dėl likusių pavojų.

PRODUKTO SPECIFIKACIJOS

PASKIRTIS

Ši mašina suprojektuota ir pagaminta ruošiniams apdirbti gręžiant (pvz., betoną, metalą ir panašias medžiagas) arba kalti (pvz., betoną ir panašias medžiagas).

Bet koks kitas naudojimas, kuris skiriasi nuo pirmiau minėtų, gali būti pavojingas, pakenkti žmonėms ir (arba) sugadinti daiktus ir pačią mašiną.

NETINKAMAS NAUDOJIMAS

Mašinos negalima apdirbti pavojingų medžiagų, pvz., susikaupusių degių ar sproglių produktų ir kitų objektų, kurie gali būti pavojingi pačiai mašinai, taip pat operatoriui, pašalininiams asmenims, gyvūnams ar turtui.

Kiti netinkamo naudojimo pavyzdžiai gali apimti, bet tuo neapsiribojant, mašinos veikimą:

- ▶ Be originalių gamintojo pateiktų priedų.
- ▶ Su originaliais priedais, bet ne pagal instrukcijas.
- ▶ Be originalių atsarginių dalių.
- ▶ Su neleistiniais pakeitimais.

PASTABA

Pagal galiojančius gaminio atsakomybės įstatymus, įrenginio gamintojas neprisiima atsakomybės už gaminio žalą ar gaminio sukeltus pažeidimus, atsiradusius dėl:

- ▶ Netinkamai elgiantis, nesilaikyta naudojimo instrukcijų.
- ▶ Remontą atlieka trečiosios šalys, o ne įgalioti techninės priežiūros specialistai.
- ▶ Neoriginalių atsarginių dalių montavimas.
- ▶ Naudojimas ne pagal paskirtį.
- ▶ Elektros sistemos gedimas dėl mašinos galios, neatitinkančio elektros ir VDE taisyklių.

TECHNINIAI DUOMENYS		
Straipsnio numeris		46 609
Modelis		RH 4-32 PRO
Nominali įtampa	V	220-240
Vardinis dažnis	Hz	50
Vardinė galia	W	1.300
Vardinis greitis be apkrovos	min ⁻¹	0 - 850
Poveikio rodiklis	min ⁻¹	0 - 4.500
Poveikio energija	J	4,8
Chuck tipas		SDS PLUS
Grynas svoris	kg	4,7
Maks. gręžimo Ø		
Betono	mm	32

TECHNINIAI DUOMENYS		
Straipsnio numeris		46 609
Modelis		RH 4-32 PRO
Garso emisijos vertės nustatytos pagal EN 60745-1, EN 60745-2-6		
Paprastai gaminio A svertinis triukšmo lygis yra:		
Garso slėgio lygis (LpA)	dB(A)	88,4
Garso galios lygis (LwA)	dB(A)	99,4
Neapibrėžtis (K)	dB	3
Bendros vibracijos vertės ah (triasių vektorių suma) ir neapibrėžtis K, nustatytos pagal EN 60745-1, EN 60745-2-6		
Maksimalus vibracijos lygis:		
Vibracijos lygis (ah, HD)	m/s ²	15,5
Neapibrėžtis (K)	m/s ²	1,5

IDENTIFIKAVIMAS (1 PAV.)

1. Chuck
2. Režimo pasirinkimo rankenėlė
3. Veikimo jungiklis
4. Šepetėlio dangtelis
5. Pagalbinė rankena

OPERACIJA

ĮRENGINIO PARUOŠIMAS

Išpakavimas ir surinkimas turi būti atliekamas ant lygaus ir stabilaus paviršiaus, turint pakankamai vietos mašinai ir jos pakuočėms perkelti, visada naudojant tinkamą įrangą.

PASTABA

Sumontuotas elektros variklis yra pilnai prijungtas ir paruoštas darbui. Kliento prijungimas prie maitinimo sistemos ir bet kokie galimi naudojami ilginamieji laidai turi atitikti vietinius teisės aktus. Reguliariai tikrinkite elektros prijungimo laidus, ar nepažeisti. Tikrindami įsitinkinkite, kad laidas atjungtas nuo elektros tinklo. Elektros prijungimo kabeliai turi atitikti jūsų šalyje galiojančius teisės aktus.

- ▶ Tinklo įtampa turi sutapti su įtampa, nurodyta variklio duomenų lentelėje.
- ▶ Iki 25 m ilgio kabelių skerspjūvis turi būti 1,5 mm², o ilgesni nei 25 m – mažiausiai 2,5 mm².
- ▶ Prijungimas prie elektros tinklo turi būti apsaugotas tinkamu lėtai veikiančiu saugikliu.

ĮSPĖJIMAS

Mašiną junkite tik prie lizdo su tinkamai sumontuotu įžeminimo kontaktu.

Pagalbinės rankenos mazgas (2 pav.)

Uždėkite papildomos rankenos mazgą ant mašinos įvorės ir pasukite jos rankeną, kad tvirtai

priveržtumėte agregatą.

Jrankio surinkimas (3 pav.)

Įdėkite šiek tiek tepalo ant jrankio surinkimo vietos ir įstumkite jį į griebtuvą, jei reikia, sukite, kol užsifikuos spragtelėjimu.

Jrankio išmontavimas (4 pav.)

Paspauskite griebtuvą, kad atrakintumėte jrankį, ir ištraukite jrankį, kad išimtumėte jį iš griebtuvo.

JRENGINIO VALDYMAS JSPĖJIMAS

Perjungdami skirtingus veikimo režimus, nejunkite veikimo jungiklio.

Jrenginio paleidimas (5 pav.)

Norėdami paleisti jrenginį, paspauskite veikimo jungiklį. Mašinos greitis taip pat priklauso nuo veikimo jungiklio įjungimo lygio, o didžiausias greitis reiškia visišką įjungimą.

Jrenginio sustabdymas (6 pav.)

Norėdami sustabdyti jrenginį, visiškai išjunkite veikimo jungiklį.

Plaktuko gręžimo režimas (7 pav.)

Norėdami nustatyti jrenginį gręžimo plaktuku režimu, pasukite režimo pasirinkimo rankenėlę (1.2 pav.) atitinkamai į padėtį, parodytą 7 pav.

Kaltų jrankio reguliavimas (8 pav.)

Norėdami sureguliuoti kalto jrankio antgalio kampą, nustatykite jrenginį kalto jrankio reguliavimo režimu, atitinkamai sukdami režimo pasirinkimo rankenėlę į padėtį, parodytą 8 pav. Įjunkite veikimo jungiklį, kad pasuktumėte kalto jrankį norimu kampu.

Kalimo režimas (9 pav.)

Norėdami nustatyti jrenginį kalimo režimu, pasukite režimo pasirinkimo rankenėlę į padėtį, parodytą 9 pav.

Darbinės dalies išdėstymas

Paprastai mažam ruošiniui pritvirtinti naudokite veržlę arba kitą tinkamą suspaudimo įtaisą. Niekada nelaikykite ruošinio vietoje ranka. Įsitinkinkite, kad ruošinys negali pasisukti. Tai geriausia pasiekti uždedant ruošinį / mašinos veržlę ant tvirto bloko.

PRIEŽIŪRA IR VALYMAS

Kas šešis mėnesius iki vienerių metų (atsižvelgiant į naudojimo dažnumą ir intensyvumą) nuvežkite savo mašiną į artimiausią degalinę, kad atliktumėte šias technines priežiūros operacijas:

- ▶ Tepimas.
- ▶ Šepečių patikrinimas ir keitimas.
- ▶ Mechaninė apžiūra ir valymas (krumpliaračių, guolių ir kt.).
- ▶ Elektros patikra (jungiklis, laidas ir kt.).
- ▶ Bandymai, siekiant užtikrinti tinkamą mechaninį ir

elektrinį veikimą.

JSPĖJIMAS

Savo saugumo sumetimais prieš bet kokius gręžimo preso priežiūros darbus išjunkite jungiklį ir ištraukite kištuką iš maitinimo šaltinio.

Laikykite savo prietaisą švarų. Kad nesugadintumėte variklio, dažnai išpūskite arba išsiurbkite šį variklį, kad gręžimo preso dulksės netrukdytų normaliai variklio ventilacijai.

VARIKLIO ANGLIES ŠEPEČIAI

Reguliariai nuimkite ir tikrinkite variklio anglinius šepečėlius. Laikykite juos švarius ir pakeiskite, jei yra pernelyg susidėvėję.

Norėdami pakeisti anglinius šepečėlius:

1. Atsuktuvu nuimkite šepečio laikiklio dangtelį.
2. Išimkite susidėvėjusius anglies šepečėlius.
3. Įdėkite naujus anglinius šepečėlius.

PASTABA

Anglinius šepečėlius reikia keisti identiškomis poromis, neatsižvelgiant į individualų nusidėvimą.

4. Užfiksukite šepečėlio laikiklio dangtelį.

Pakeitę šepečius, įjunkite jrankį ir sulaužykite šepečius, naudodami jrankį be apkrovos maždaug 10 minučių. Tada patikrinkite, ar jrankis tinkamai veikia, o elektrinis stabdys sustabdo jrankio sukimąsi atleidžiant jungiklio gaiduką pagal gamyklinius standartus.

MAITINIMO LAIDAS

Kad išvengtumėte smūgio ar gaisro pavojaus, jei maitinimo laidas yra sliekinis, perpjautas arba kokiu nors būdu pažeistas, nedelsdami pakeiskite jį. Elektros prijungimo kabeliai dažnai pažeidžia izoliaciją. Galimos priežastys yra šios:

1. Perforavimo taškai, kai jungiamieji laidai yra nevesti per langų ar durų tarpus.
2. Sulenkimai, atsiradę dėl netinkamo prijungimo kabelio pritvirtinimo arba klojimo.
3. Įpjovimai, atsiradę perbėgus jungiamajam laidą.
4. Izoliacijos pažeidimas, atsiradęs dėl jėgos ištraukimo iš sieninio lizdo.
5. Įtrūkimai dėl izoliacijos senėjimo.

Tokių sugedusių elektros jungčių kabelių naudoti negalima, nes dėl izoliacijos pažeidimo jie yra itin pavojingi.

TEPIMAS

Periodiškai sutepkite judančias dalis.

VALYMAS

Nedidelį minkštą šepečėlį valykite jrenginio išorę. Nenaudokite stiprių ploviklių. Būtiniai valikliai, kurių sudėtyje yra aromatinių aliejų, pvz., pušų ir citrinų, ir tirpiklių, tokių kaip žibalas, gali pažeisti plastikinį korpusą arba rankeną. Drėgmę nuvalykite minkšta šluoste. Jei reikia, atitinkamu dulkių siurbliu pašalinkite dulkes, nešvarumus ir apdirbimo likučius.

SANDĖLIAVIMAS JSPĖJIMAS

Išjunkite jungiklį ir ištraukite kištuką iš maitinimo šaltinio lizdo, kad galėtumėte laikyti mašiną. Laikykite jrenginį tik sausose ir gerai vėdinamose

patalpose.

Jei įrenginys bus saugomas ilgesnį laiką, naudokite šią saugojimo procedūrą:

1. Kruopščiai išvalykite įrenginį ir patikrinkite, ar nėra palaidų ar pažeistų dalių. Pataisykite arba pakeiskite pažeistas dalis ir priveržkite atsilaisvintus varžtus, veržles arba varžtus.
2. Jei reikia, sutepkite ir patepkite tepalu.
3. Laikykite įrenginį originalioje pakuotėje.

APLINKOS APSAUGA



Perdirbkite žaliavas, o ne išmeskite kaip atliekas. Mašina, priedai ir pakuotės turi būti rūšiuojamos, kad būtų galima perdirbti aplinkai nekenksmingą. Plastikiniai komponentai yra paženklinti, kad juos būtų galima perdirbti.

Šio gaminio negalima išmesti kartu su buitinėmis atliekomis, laikantis atitinkamų teisės aktų, reglamentuojančių elektros ir elektroninės įrangos atliekas. Šį gaminį reikia išmesti į tam skirtą surinkimo punktą. Tai gali įvykti, pavyzdžiui, atiduodant jį į įgaliotą elektros ir elektroninės įrangos atliekų surinkimo punktą. Netinkamas įrangos atliekų tvarkymas gali turėti neigiamų pasekmių aplinkai ir žmonių sveikatai dėl potencialiai pavojingų medžiagų, kurios dažnai būna elektros ir elektroninėje įrangoje. Tinkamai išmesdami šį gaminį taip pat prisidedate prie efektyvaus gamtos išteklių naudojimo.

Informaciją apie įrangos atliekų surinkimo vietas galite gauti iš savo savivaldybės administracijos, valstybinės atliekų šalinimo institucijos, įgaliotos elektros ir elektroninės įrangos atliekų šalinimo įstaigos arba atliekų išvežimo įmonės.

GARANTIJA

Šiam gaminiui suteikiama garantija pagal teisinius / konkrečios šalies reglamentus, kurie galioja nuo pirmojo naudotojo įsigijimo datos. Garantija netaikoma žalai, atsiradusioms dėl normalaus nusidėvėjimo, perkrovos ar netinkamo naudojimo. Jei turite pretenzijų, visiškai surinktą mašiną nusiųskite pardavėjui arba oficialiam aptarnavimo centrui.

EN	EU DECLARATION OF CONFORMITY		We declare under our sole responsibility that the listed products comply with all applicable provisions of the below directives and are also in conformity with the following standards. Production year and serial number are on the product. The relative technical file is at the below address.	
	ROTARY HAMMER			
	MODEL	Article number		
FR	DÉCLARATION CE DE CONFORMITÉ		Nous déclarons sous notre propre responsabilité que les produits décrits sont conformes à toutes les dispositions applicables des directives ci-dessous et sont également conformes aux normes suivantes. L'année de production et le numéro de série figurent sur le produit. Le dossier technique correspondant est à l'adresse ci-dessous.	
	MARTEAU PERFORATEUR			
	MODÈLE	Numéro de l'article		
IT	DICHIARAZIONE CE DI CONFORMITÀ		Dichiariamo sotto la nostra piena responsabilità che i prodotti indicati sono conformi a tutte le disposizioni applicabili delle seguenti direttive e sono inoltre conformi alle seguenti norme. Anno di produzione e numero di serie sono sul prodotto. La relativa scheda tecnica è al seguente indirizzo.	
	MARTELLO PERFORATORE			
	MODELLO	Codice prodotto		
EL	ΔΗΛΩΣΗ ΣΥΜΜΟΡΦΩΣΗΣ ΕΚ		Δηλώνουμε με αποκλειστική μας ευθύνη, ότι τα αναφερόμενα προϊόντα συμμορφώνονται με όλες τις σχετικές διατάξεις των κάτωθι οδηγιών και είναι επίσης σύμφωνα με τα ακόλουθα πρότυπα. Το έτος παραγωγής και ο σειριακός αριθμός αναγράφονται στο προϊόν. Ο τεχνικός φάκελος είναι στην παρακάτω διεύθυνση.	
	ΠΕΡΙΣΤΡΟΦΙΚΟ ΠΙΣΤΟΛΕΤΟ			
	ΜΟΝΤΕΛΟ	Κωδικός προϊόντος		
SR	CE IZJAVA O USAGLAŠENOSTI		Na sopstvenu odgovornost izjavljujemo, da navedeni proizvodi poštuju sve važeće odredbe dole navedenih direktiva i da su takođe u skladu sa sledećim standardima. Proizvodna godina i serijski broj su na proizvodu. Relativna tehnološka datoteka je na donje adrese.	
	BUŠILICA ČEKIĆ			
	MODEL	Broj predmeta		
HR	EU IZJAVA O SUKLADNOSTI		Pod punom odgovornošću izjavljujemo, da navedeni proizvodi u skladu sa svim primjenjivim odredbama dolje navedenih direktiva, a također su u skladu sa sledećim standardima. Godina proizvodnje i serijski broj su na proizvodu. Relativna tehnička datoteka nalazi se na donjoj adresi.	
	UDARNA BUŠILICA			
	MODEL	Broj artikla		
RO	DECLARAȚIE DE CONFORMITATE UE		Declarăm pe proprie răspundere că produsele menționate respectă toate prevederile aplicabile din directivele de mai jos și sunt, de asemenea, conforme cu următoarele standarde. Anul de producție și numărul de serie sunt pe produs. Fișierul tehnic relativ se află la adresa de mai jos.	
	CIOCAN ROTOPERCUȚOR			
	MODEL	Număr articol		
HU	EU MEGFELELŐSÉGI NYILATKOZAT		Kijelentjük kizárólagos felelősségünkre, hogy a felsorolt termékek megfelelnek az alábbi irányelvek összes vonatkozó rendelkezésének, és megfelelnek a következő szabványoknak is. A gyártási év és a sorozatszám a terméken található. A relatív műszaki fájl az alábbi címen található.	
	FŰRÓKALAPÁCS			
	MODELL	Cikk szám		
LT	ES ATITIKTIES DEKLARACIJA		Mes, prisimdamis visą atsakomybę, pareiškiame, kad išvardyti produktai atitinka visas taikomas toliau nurodytų direktyvų nuostatas ir taip pat atitinka šiuos standartus. Gamybos metai ir serijos numeris yra ant gaminio. Santykinis technologinis failas yra žemiau nurodytu adresu.	
	PERFORATORIUS			
	MODELIS	Straipsnis Numeris		
	RH 4-32 PRO	46 609	2014/30/EU	EN 55014-1: 2017/+A11:2020
				EN 55014-2: 2015
				EN IEC 61000-3-2: 2019
				EN 61000-3-3: 2013/+A1:2019
			2006/42/EC	EN 60745-1:2009+A11:2010
				EN 60745-2-6:2010
Aimilios G. Theodorou Electrical Engineer, Safety Officer  19/10/2022 FF GROUP TOOL INDUSTRIES, 19300 Aspropyrgos-Greece.			FF GROUP TOOL INDUSTRIES 9,5km Attiki Odos, Aspropyrgos 19300, Athens, Greece Tel. +30 210 55 98 400	



FF GROUP TOOL INDUSTRIES



9,5 Km Attiki Odos, Aspropyrgos

19300, Athens, Greece



+30 210 55 98 400



info@ffgroup-toolindustries.com



www.ffgroup-tools.com