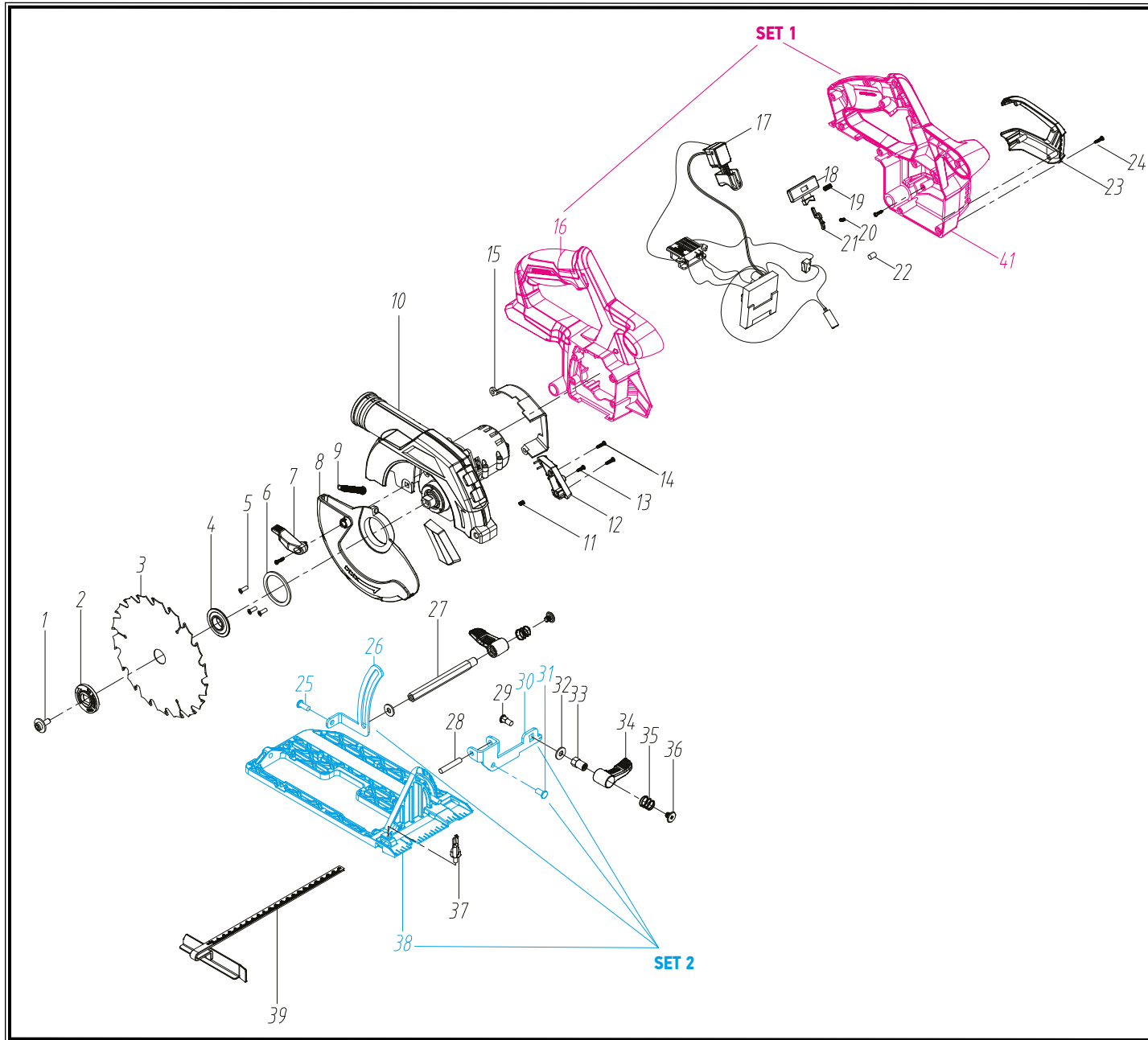


POS.	CODE	DESCRIPTION	QTY
1	A07382	FLANGE SCREW	1
2	A07383	FRONT FLANGE	1
3			1
4	A07384	FRONT FLANGE	1
5	A07385	SCREW	3
6	A07386	LOCARED PLATE	1
7	A07387	GUARD BAR	1
8	A07388	PLASTIC GUARD	1
9	A07389	TENSION SPRING	1
10	A07390	GEAR BOX	1
11	A07391	SPRING	1
12	A07392	LAMP HOLDER	1
13	A07393	TAPPING SCREW	1
14	A07394	TAPPING SCREW	6
15	A07395	SPOILER	1
SET 1 (16+41)	A07396	ENCLOSURE	1
17	A07397	WELDED COMPONENTS	1
18	A07398	LOCK OFF LEVER	1



POS.	CODE	DESCRIPTION	QTY
19	A07399	SPRING	1
20	A07400	SPRING	1
21	A07401	CONNECTING ROD	1
22	A07402	RUBBER COLUMN	1
23	A07403	DECORATIVE COVER	1
24	A07404	TAPPING SCREW	11
SET 2 (25, 26, 30, 31, 38)	A07405	BASE PLATE ASSEMBLY	1
27	A12216	EXTENSION NUT	1
28	A12217	ELASTIC PIN	1
29	A12218	SQUARE NECK BOLT	1
32	A07406	SHIM	1
33	A07407	NUT	1
34	A07408	HANDLE	1
35	A07409	SPRING	1
36	A07410	SCREW	1
37	A07411	SCREW	1
38	A07294	BASE	1
39	A07412	GUIDE RULER	1