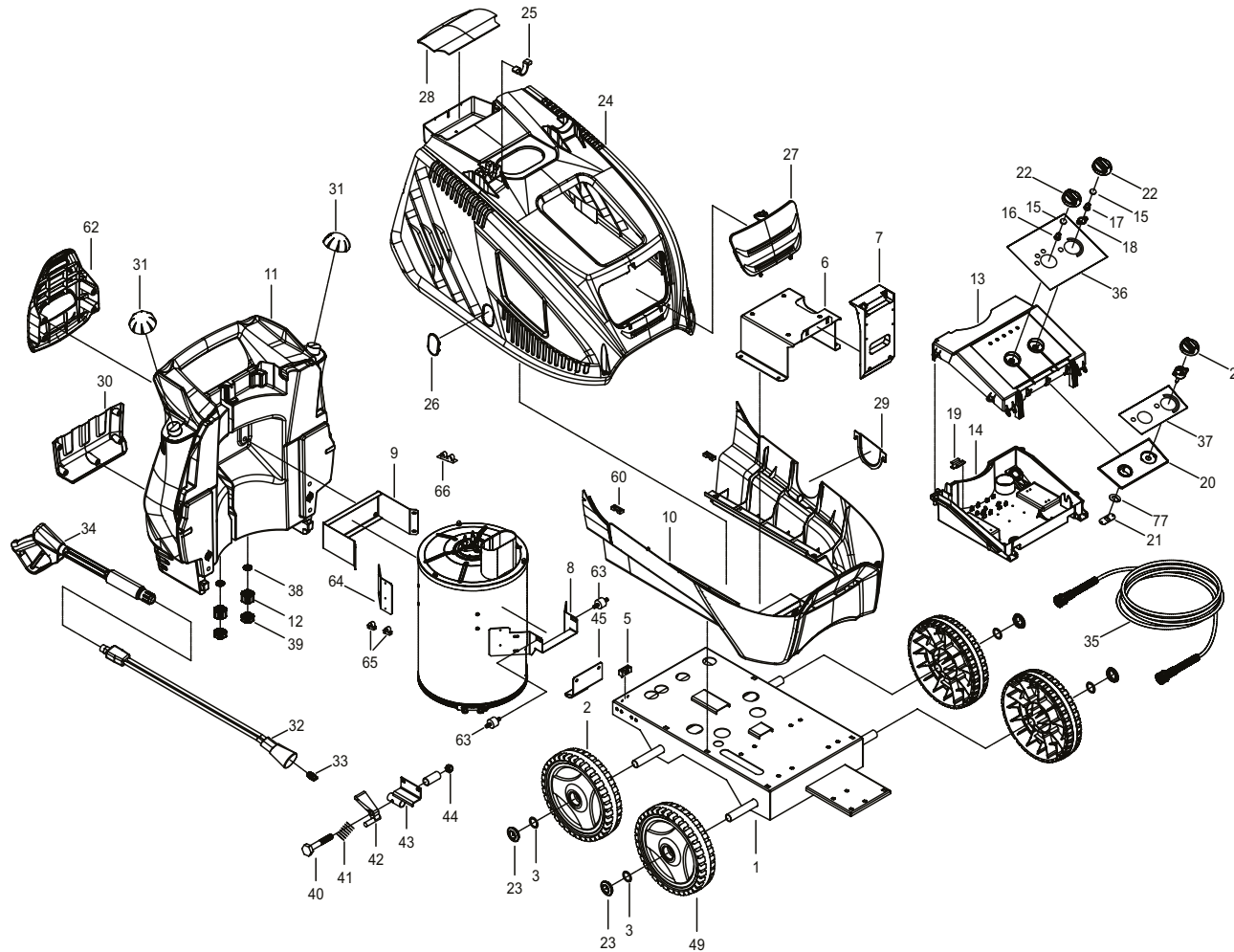
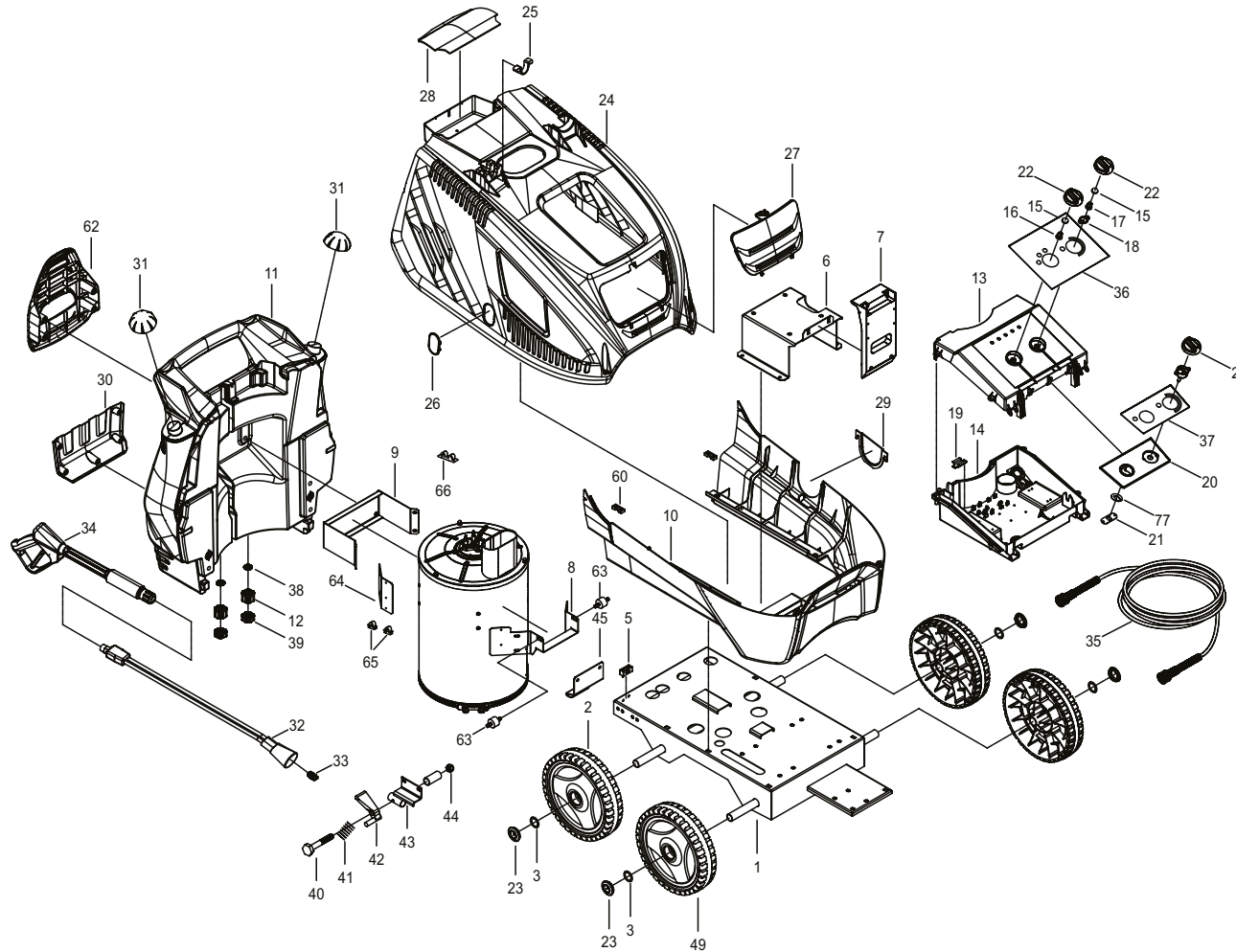


CHASSIS



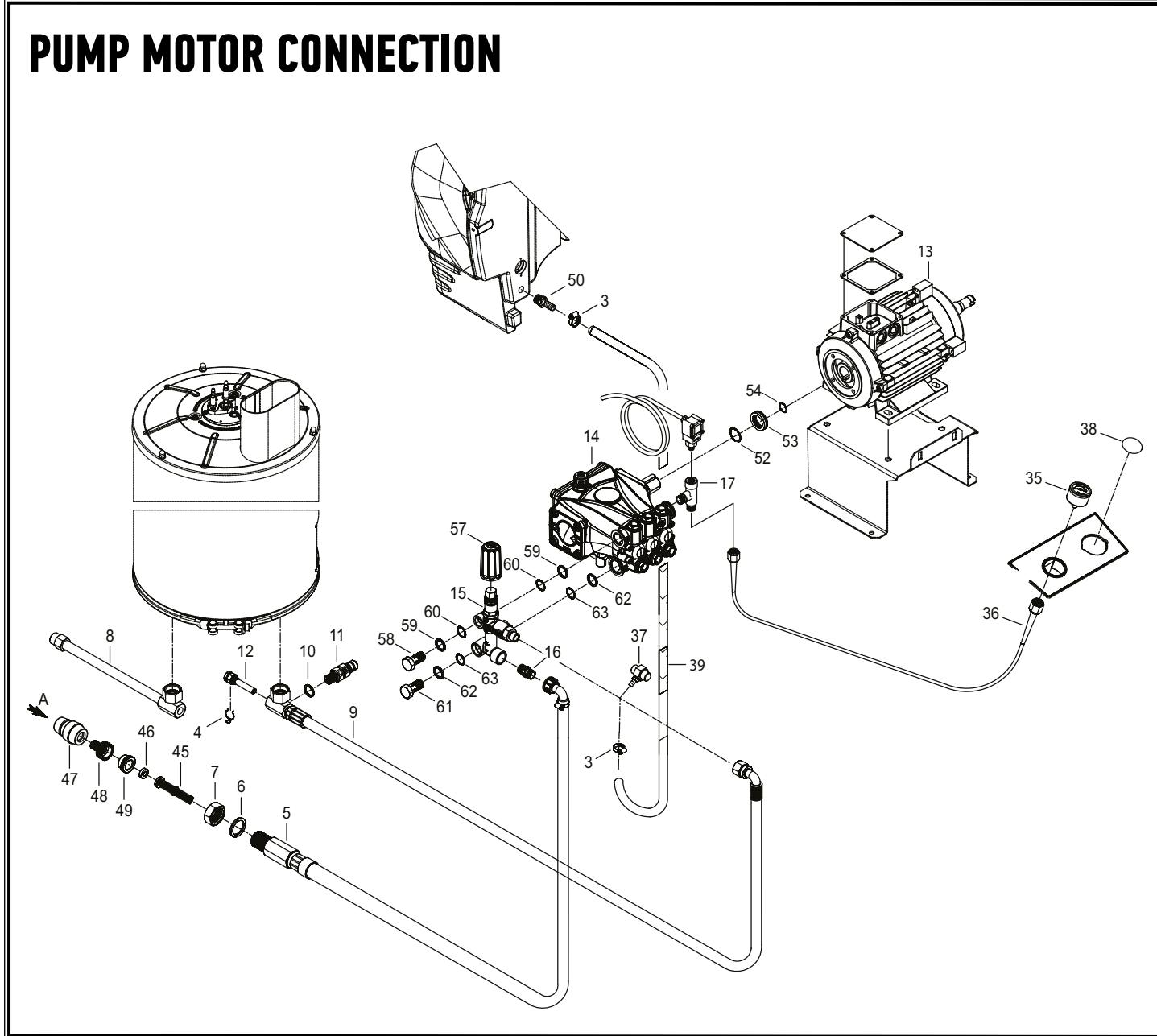
POS.	CODE	DESCRIPTION	QTY
1	A12140	CHASSIS	1
2	A12141	WHEEL	2
3	A11793	WASHER	4
5	A11795	CABLE CLAMP	1
6	A12142	MOTOR SUPPORT	1
7	A11888	BOX SUPPORT	1
8	A12143	SUPPORT	1
9	A12144	BRACKET	1
10	A12145	COVER	1
11	A12146	TANK	1
12	A11912	DISCHARGE CAP FLL	2
13	A12147	BOX COVER	1
14	A12148	CONTROL BOX	1
15	A11815	O-RING	2
16	A11894	SWITCH TANG	1
17	A11895	TAIL PIECE	1
18	A11898	THICKNESS TERM.	1
19	A11917	SUPPORT	2
20	A12149	PANEL	1
21	A12150	JUNCTION BOARD	1
22	A11900	KNOB	3
23	A11885	CAP	4
24	A12151	COVER	1
25	A11909	RUBBER	1
26	A12152	DOOR	1
27	A12153	DOOR	1
28	A12154	DOOR	1
29	A12155	DOOR	1
30	A12156	TOOL HOLDER	1

CHASSIS



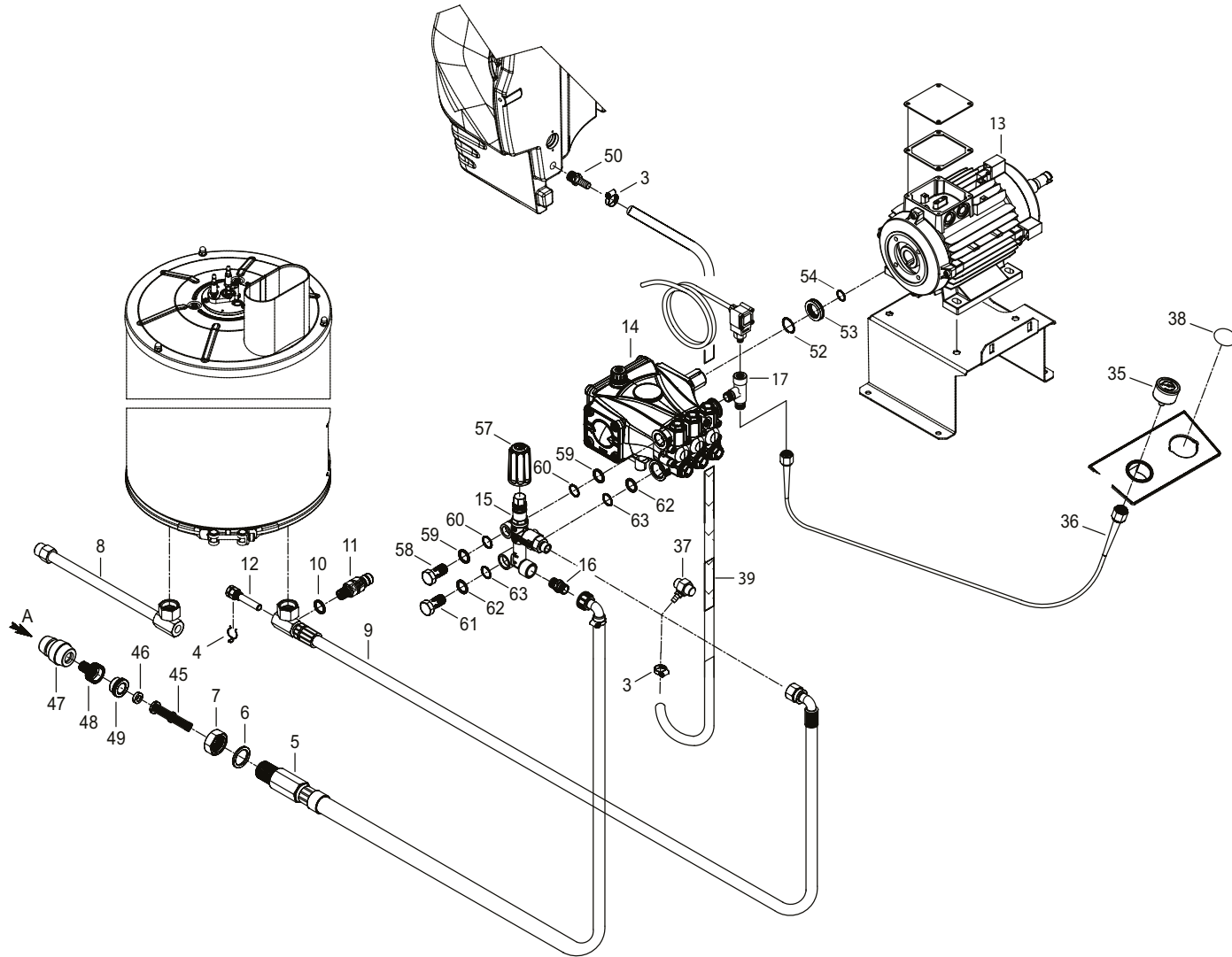
POS.	CODE	DESCRIPTION	QTY
31	A11899	TANK CAP	2
32	48523	EXTENSION	1
33	48532	NOZZLE	1
34	48524	GRIP	1
35	48526	HIGH PRESSURE HOSE	1
36	A12157	LABEL	1
37	A12158	LABEL	1
38	A11919	GASKET	2
39	A11889	RING NUT	2
40	A12159	SCREW M8X80	1
41	A12160	SPRING	1
42	A12161	TRIGGER	1
43	A12162	BRACKET	1
44	A12163	NUT M8	1
45	A12164	FOOT	1
49	A11884	WHEEL	2
60	A12165	CABLE FASTNER	2
62	A12166	HOSE SUPPORT	1
63	A12167	VIBRATION DAMP.	2
64	A12168	SUPPORT BRACKET	1
65	A11920	CLIP	2
66	A11921	CLIP	1
77	A12169	PLATE	1

PUMP MOTOR CONNECTION



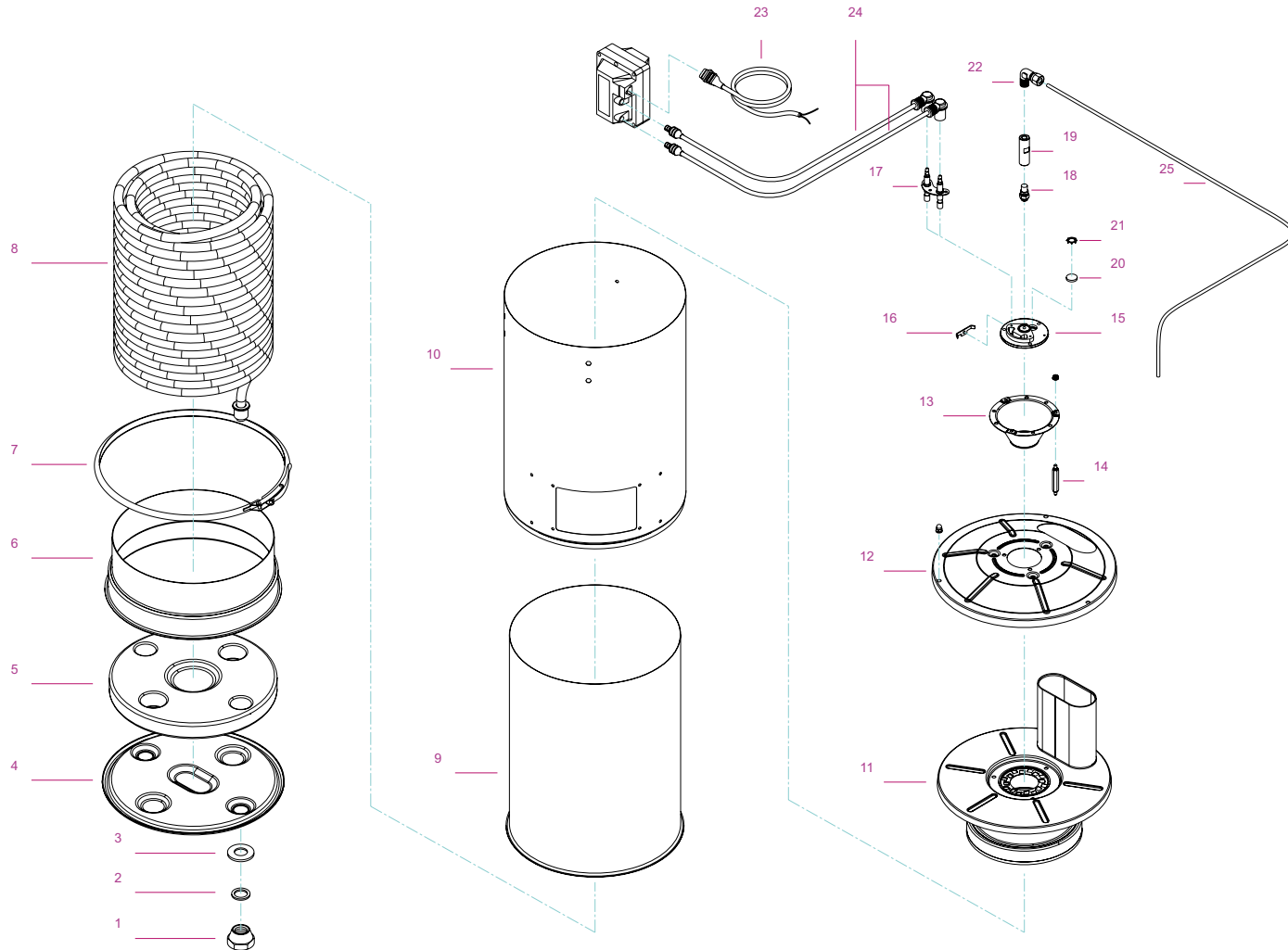
POS.	CODE	DESCRIPTION	QTY
3	A11976	CLAMP	4
4	A12170	SPRING	1
5	A12171	HOSE	1
6	A12172	RING NUT	1
7	A11947	WASHER	1
8	A12183	CONNECTOR KIT	1
9	A12173	HOSE-FITTING	1
10	A12174	WASHER	1
11	A06680	VALVE	1
12	A12175	SUMP	1
13	A12029	3PH MOTOR	1
14	A12176	PUMP	1
15	A06679	VALVE	1
16	A11924	NIPPLE 3/4 - 1/2	1
17	A12177	CONNECTOR T 3/8M - 1/4 M/F	1
35	A06660	PRESSURE GAUGE	1
36	A12179	POLYAMIDE HOSE	1
37	A06575	EJECTOR	1
38	A12180	CAP	1
39	A11928	DETERGENT HOSE	1
45	A06578	FILTER	1
46	A12181	GASKET	1
47	A11822	SOCKET	1
48	A11804	CONNECTOR D. 1/2"-5/8"	1
49	A12182	REDUCTION	1
50	A11981	HOSE FITTING	2
52	A12036	O-RING	1
53	A12034	BUSHING	1
54	A12035	O-RING	1

PUMP MOTOR CONNECTION



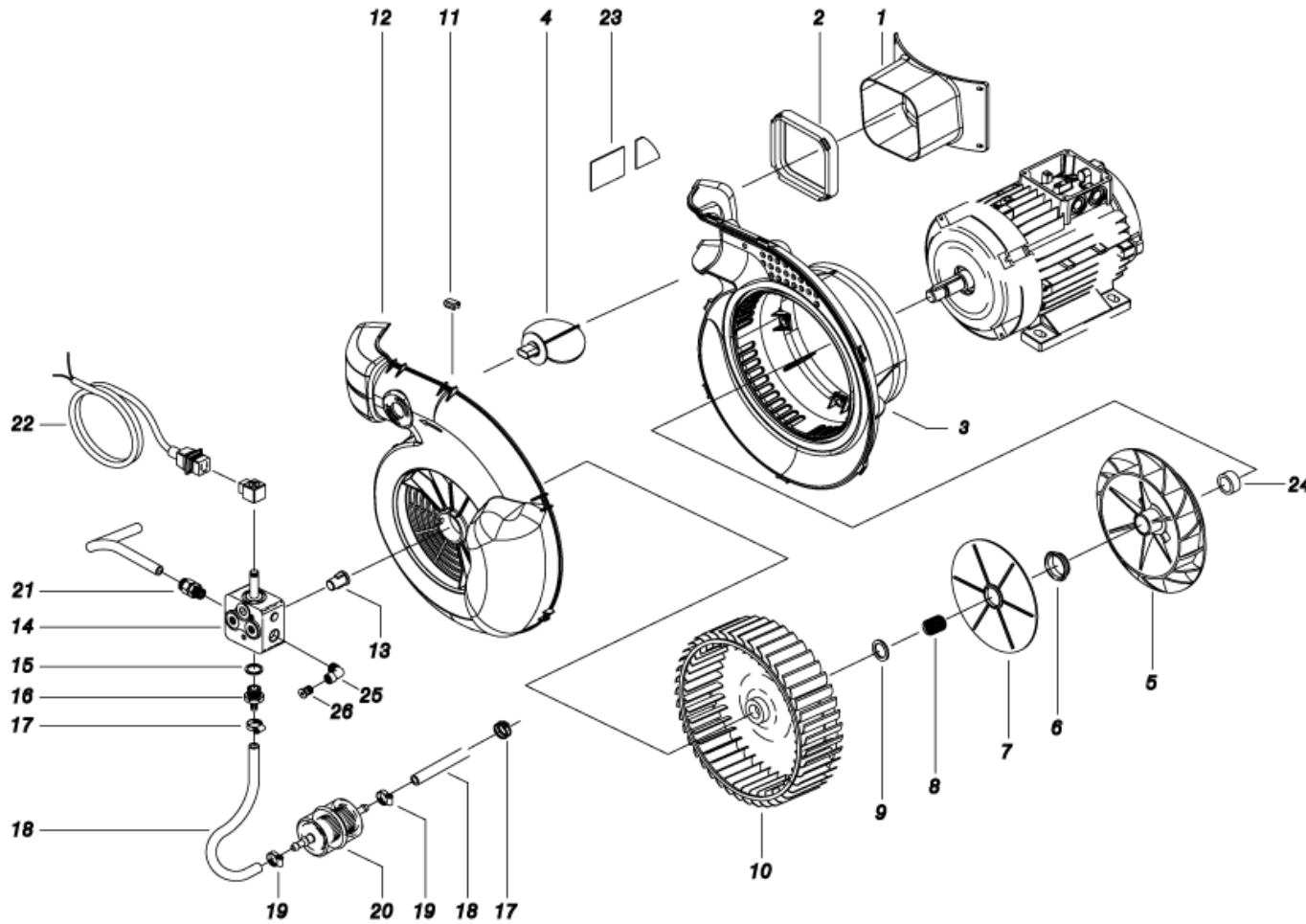
POS.	CODE	DESCRIPTION	QTY
57	A11941	KNOB	1
58	A11942	SCREW	1
59	A11944	WASHER	2
60	A11943	O-RING	2
61	A11945	SCREW	1
62	A11947	WASHER	2
63	A11946	O-RING	2

BOILER



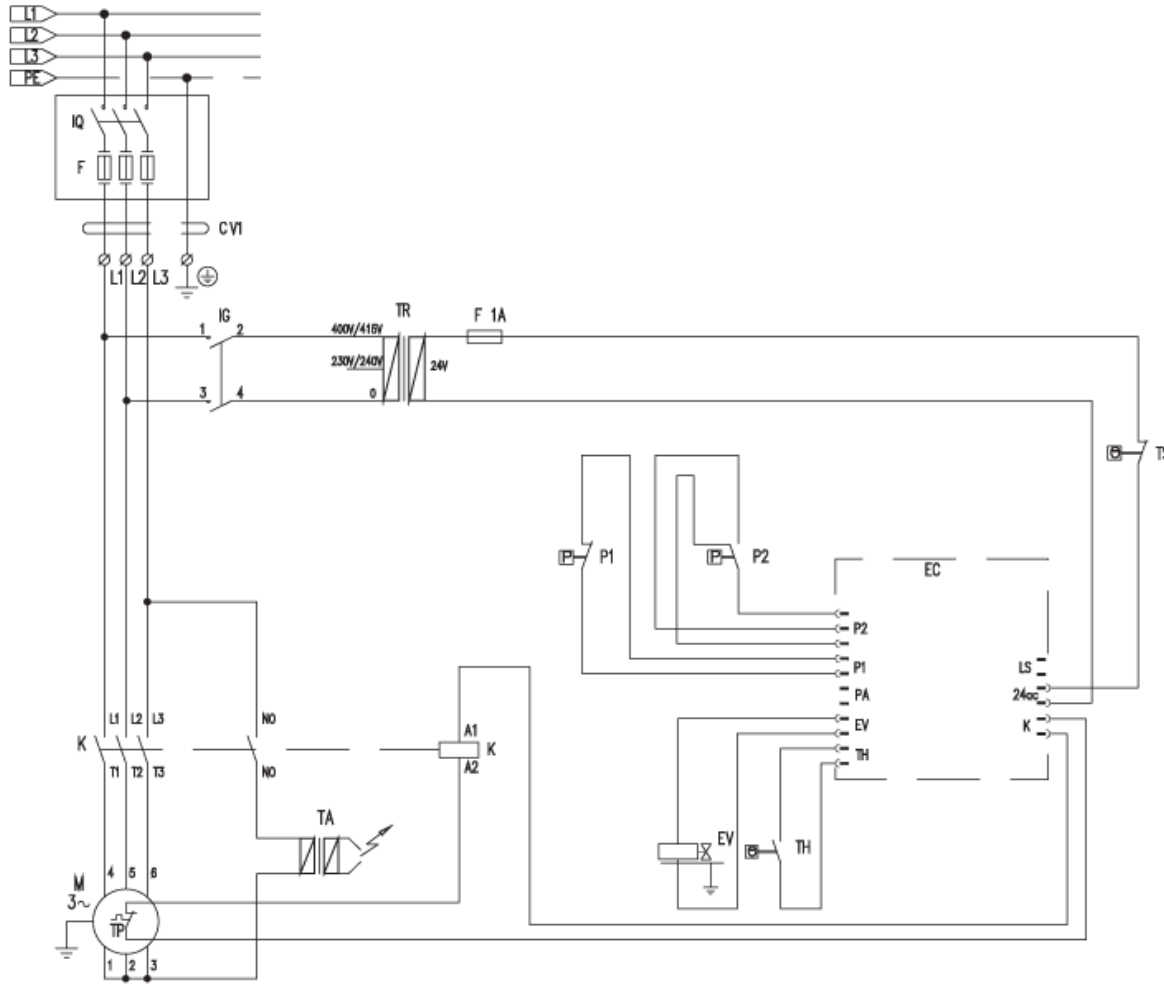
POS.	CODE	DESCRIPTION	QTY
1	A12184	RING NUT	2
2	A06583	O-RING	2
3	A06587	RING	2
4	A12185	BOILER BOTTOM	1
5	A06594	BOTTOM	1
6	A12186	BAND	1
7	A12187	RING D.342	1
8	A12188	DOUBLE COIL	1
9	A12189	INT. CYLINDER	1
10	A12190	EXT. CYLINDER	1
11	A12191	BOILER COVER	1
12	A12192	BOILER COVER	1
13	A12193	BAFFLE	1
14	A12194	PIN	3
15	A12196	PLATE	1
16	A12195	ELECTR.HOLDER	1
17	A06624	ELECTRODE	1
18	A06672	BURNER NOZZLE	1
19	A12197	NOZZLE HOLDER	1
20	A12198	OIL WARN-LIGHT	1
21	A12199	SEEGER	1
22	A11960	ELBOW 1/8"-4	1
23	A11958	CABLE L=800	1
24	A06636	CABLE L= 500	2
25	A12200	HOSE	1

VENTILATOR



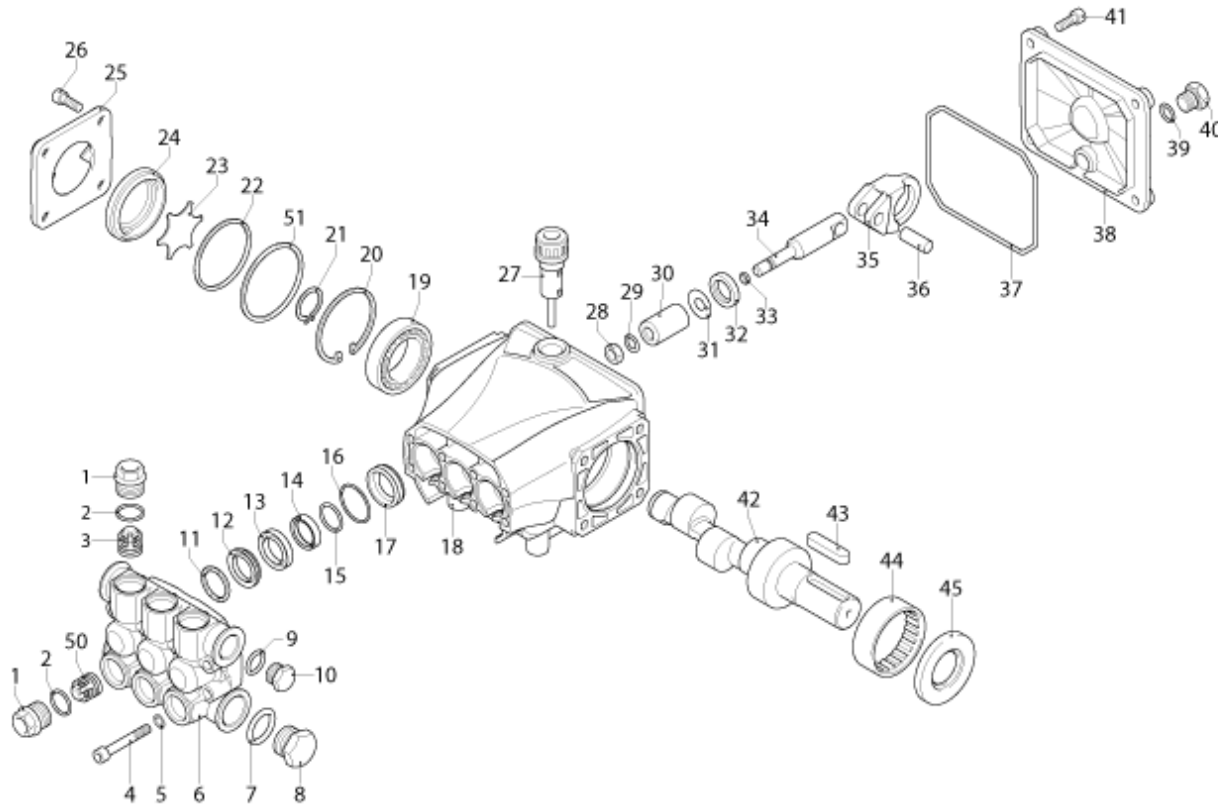
POS.	CODE	DESCRIPTION	QTY
1	A12201	CONVEYOR P176 PA6 BK.	1
2	A11963	GASKET P245 EPDM	1
3	A11964	SCROLL BODY P176 PP	1
4	A11965	BUTTERFLY VALVE P176 PP	1
5	A11966	MOTOR FAN P176 H 100	1
6	A11967	BUSHING D. 30 P176	1
7	A11968	SEPARATOR P176 ABS	1
8	A11969	BUSHING D. 17-19X19 CPS.	1
9	A11970	CIRCLIP D. 19 UNI 7435	1
10	A11971	IMPELLER P176 D.240 43P. 2V. PA6	1
11	A11972	CLIP KSM	8
12	A12042	VENTILATOR COVER	1
13	A06576	JOINT	1
14	A06662	FUEL PUMP	1
15	A12202	WASHER COPPER	1
16	A12203	HOSE FITTING 1/4 M D. 5- 7	1
18	A11977	HOSE 0,32m	1
19	A11978	CLAMP	2
20	A06579	FILTER	1
21	A11979	CONNECTOR	1
22	A12204	CABLE L=1300	1
25	A11940	ELBOW 1/8" M/F	1
26	A11984	CAP	1

ELECTRIC DIAGRAMM



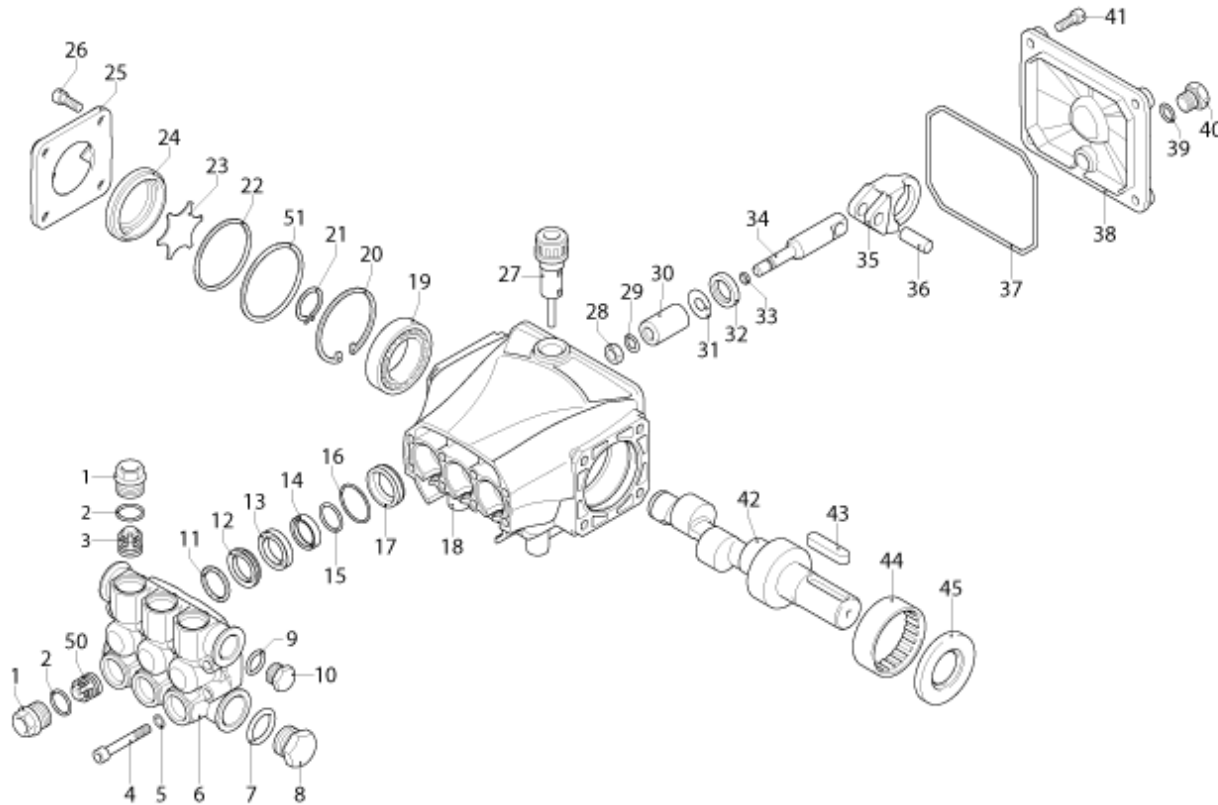
POS.	CODE	DESCRIPTION	QTY
K	A06653	CONTACTOR	1
EC	A06626	PCB	1
EV	A06622	COIL	1
IG	A06630	SWITCH	1
P1	A06641	PRESSURE SWITCH 1/8M 40BAR	1
P2	A06643	PRESSURE SWITCH 1/4M 40BAR	1
TA	A06652	TRANSFORMER	1
TH	A06649	THERMOSTAT	1
TR	A12205	TRANSFORMER	1
TS	A06646	THERMOSTAT	1
CV1	A12044	CABLE H07 4X1.5 L=6.500	1

PUMP



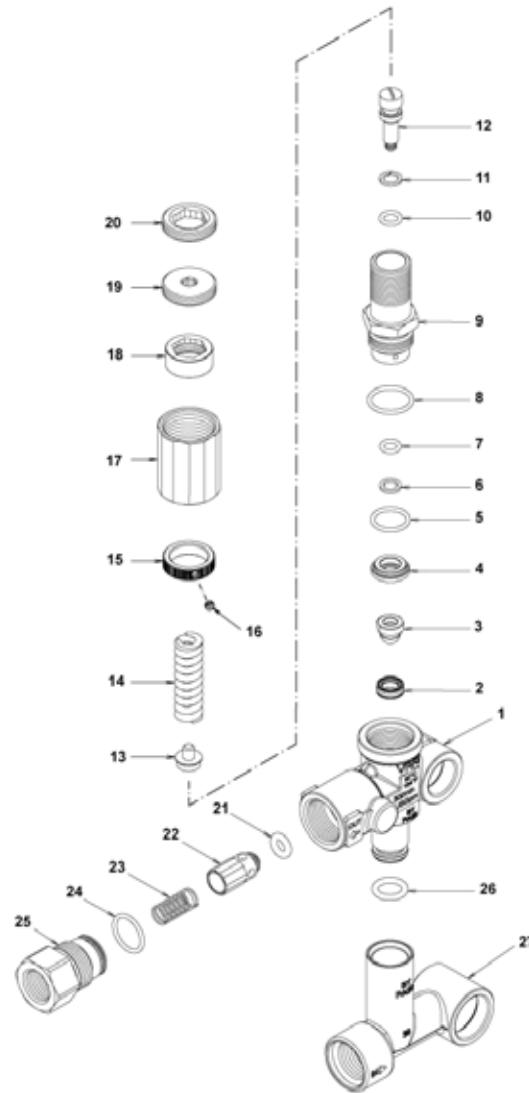
POS.	CODE	DESCRIPTION	QTY
1	A11986	CAP	6
2	A11987	O-RING	6
3	C	VALVE UNIT	3
4	A11988	SCREW	8
5	A11989	WASHER	8
6	A11990	HEAD	1
7	A11991	O-RING	1
8	A11992	CAP	1
9	A11993	O-RING	1
10	A11994	CAP	1
11	A06602	KIT	1
12	A	PACKING	3
13	A11995	INTERMED. RING	3
14	A	PACKING	3
15	A	ANTI-EXTR.RING	3
16	A	O-RING	3
17	A11996	PACKING RETAIN.	3
18	A11997	PUMP CRANKCASE	1
19	A06569	BALL BEARING 6304	1
20	A11998	CIRCLIP	1
21	A11999	CIRCLIP	1
22	A12000	O-RING	1
23	A12001	OIL INDICATOR	1
24	A12002	OIL INDICATOR	1
25	A12003	CRANKASE COVER	1
26	A12004	SCREW	4
27	A12005	OIL CAP	1
28	A12006	NUT M8	3

PUMP



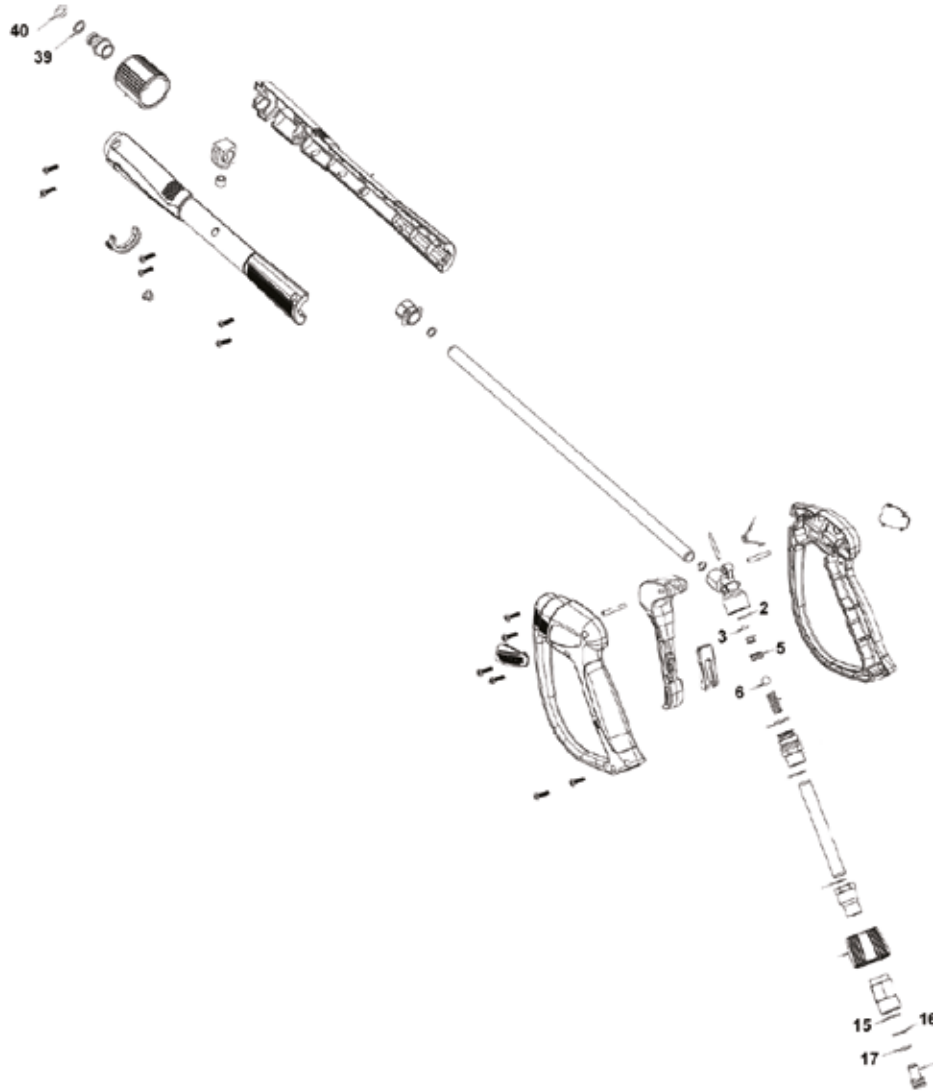
POS.	CODE	DESCRIPTION	QTY
29	A12007	WASHER	3
30	A07079	KIT	1
31	A12008	DISC	3
32	B	OIL SEAL 15X 24X5	3
33	A12009	O-RING	3
34	A12010	PISTON GUIDE	3
35	A12011	CONNECTING ROD	3
36	A12012	GUDGEON	3
37	A12013	O-RING	1
38	A12014	CRANKASE COVER	1
39	A12015	O-RING	1
40	A11859	CAP	1
41	A12016	SCREW	4
42	A12206	SHAFT	1
43	A12018	KEY	1
44	A06568	ROLLER BEARING HK 4516	1
45	B	OIL SEAL 25X 52X7	1
50	C	VALVE UNIT	3
51	A12019	RING	1
A	A06601	KIT	1
B	A06603	KIT	1
C	A06608	KIT	1

VALVE



POS.	CODE	DESCRIPTION	QTY
1	A12020	VALVE BODY	1
2	A, B	VALVE SEAT	1
3	A, B	COUPLING	1
4	B	SPACER	1
5	A, B	O-RING	1
6	A, B	ANTI-EXTR.RING	1
7	A, B	O-RING	1
8	A, B	O-RING	1
9	B	CONNECTOR	1
10	A, B	O-RING	1
11	A, B	ANTI-EXTR.RING	1
12	B	SMALL PISTON	1
13	B	SPRING	1
14	B	SPRING	1
15	B	RING NUT	1
16	B	SCREW	1
17	B	CAP	1
18	B	RING NUT	1
19	B	REGISTER	1
20	B	CLAMP	1
21	A	O-RING	1
22	A12021	COUPLING	1
23	A12022	SPRING	1
24	A	O-RING	1
25	A12046	CONNECTOR	1
26	A12024	O-RING	1
27	A12025	CONNECTOR	1
A	A06610	SERVICE KIT	1
B	A06612	SERVICE KIT	1

GRIP



POS.	CODE	DESCRIPTION	QTY
2	B	ANTI-EXTR.RING	1
3	B	O-RING	1
5	B	BALL SEAT	1
6	B	BALL	1
15	A	ANTI-EXTR.RING	1
16	A	ANTI-EXTR.RING	1
17	A	O-RING	1
39	A06589	ANTI-EXTR.RING	1
40	A06586	O-RING	1
A	A06611	KIT	1
B	A06617	KIT	1