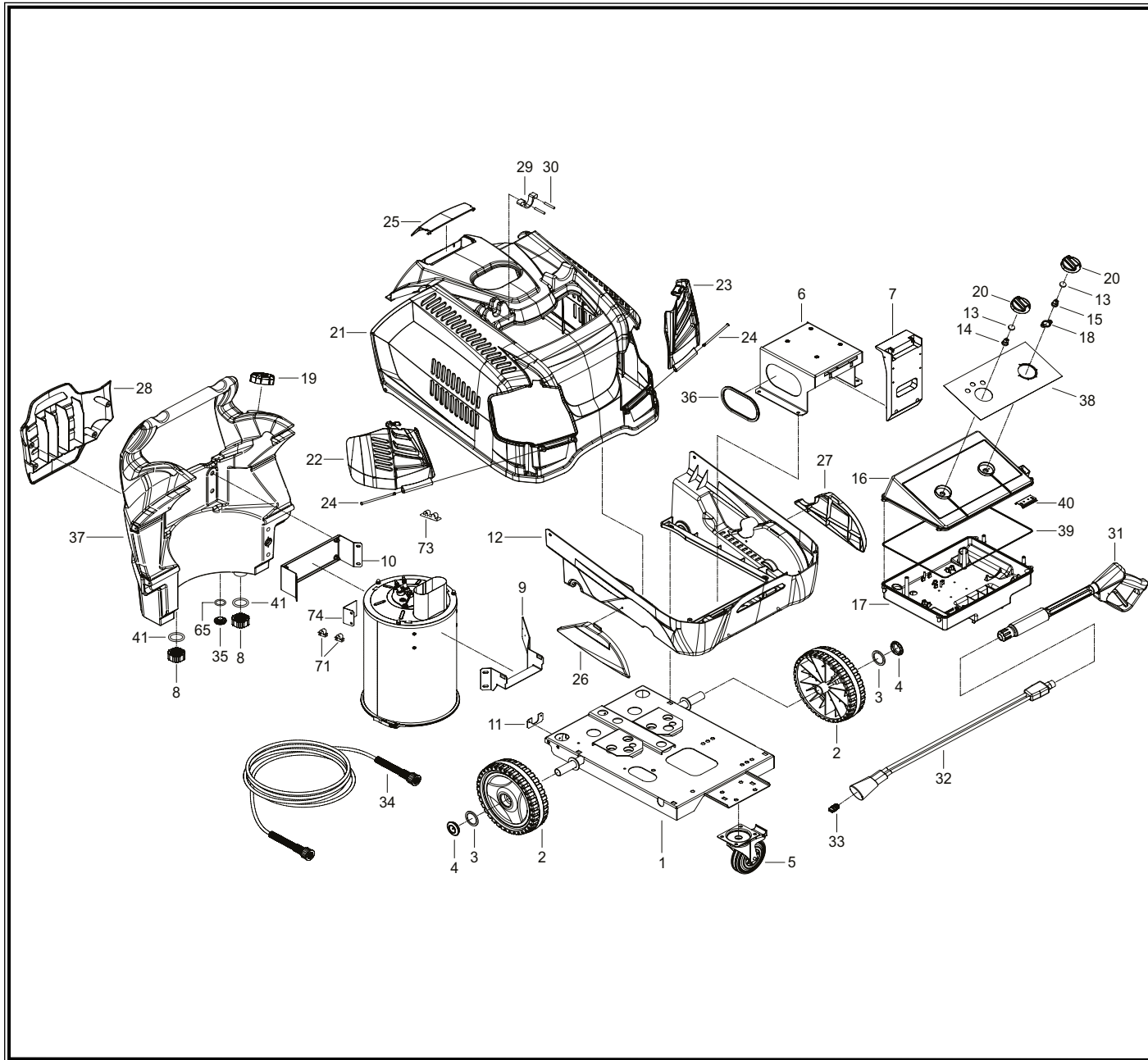
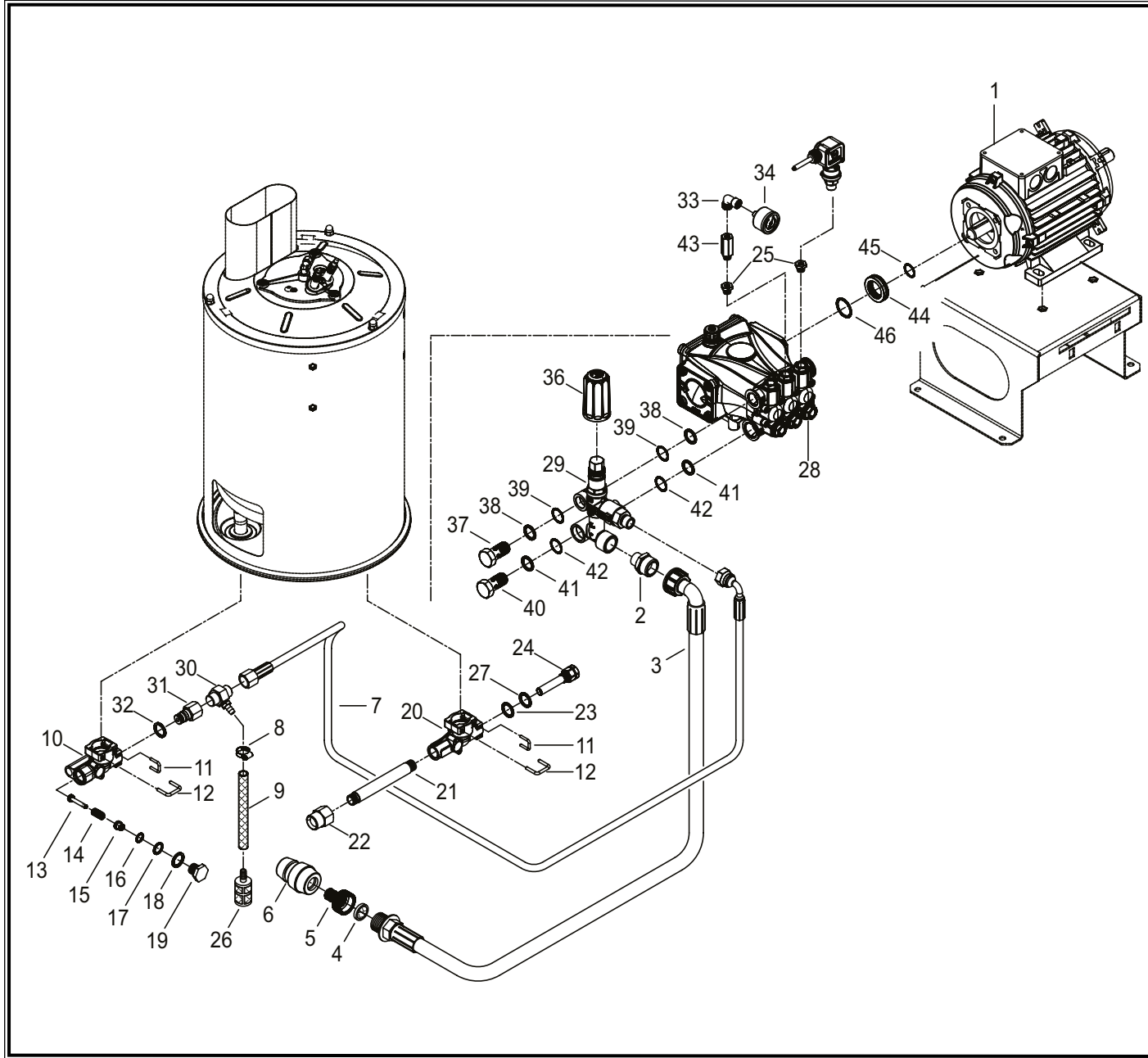


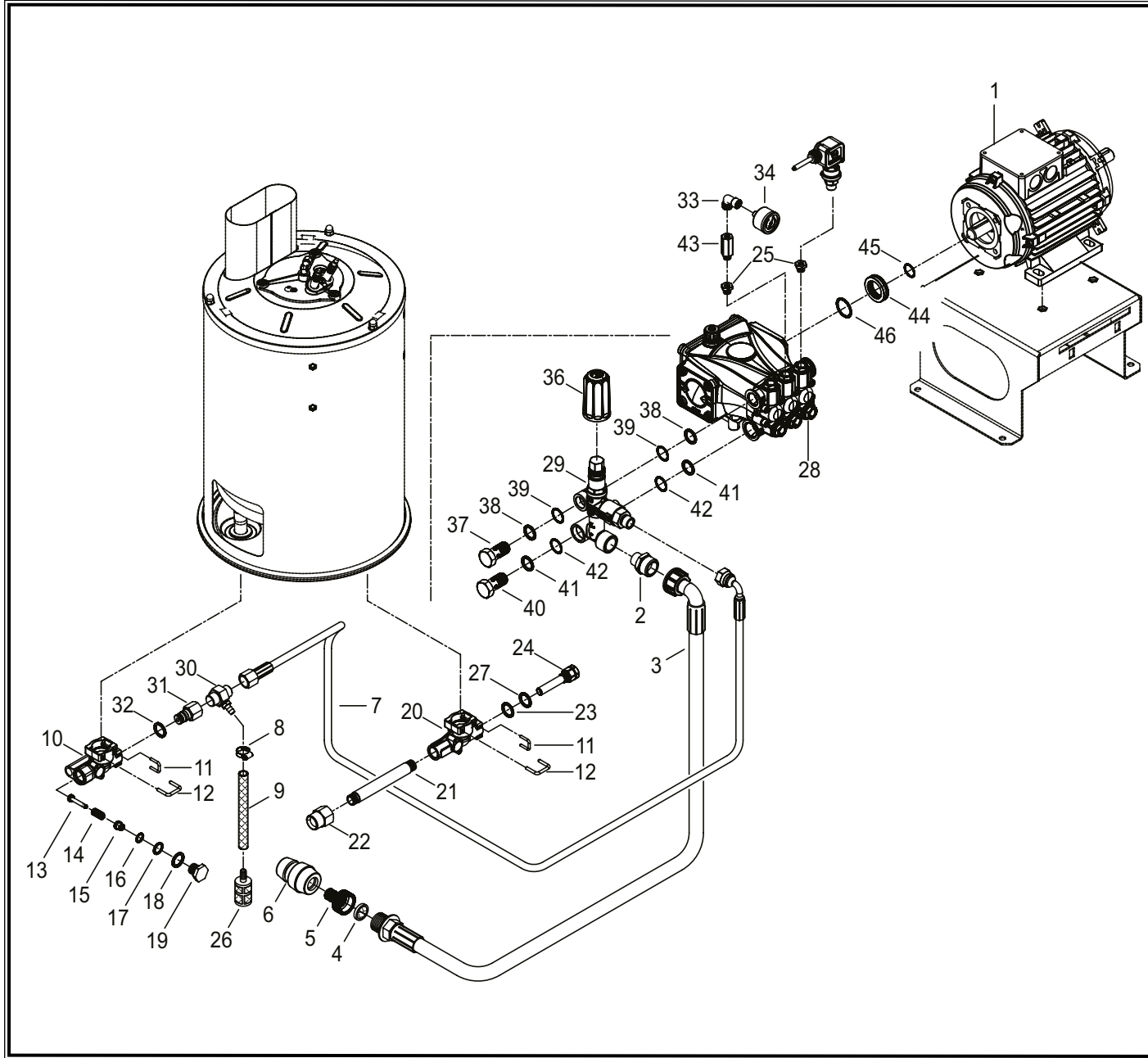
POS.	CODE	DESCRIPTION	QTY
0001	A11883	TROLLEY	1
0002	A11884	WHEEL	2
0003	A11793	WASHER	2
0004	A11885	CAP	2
0005	A11886	TURNING WHEEL	1
0006	A12026	MOTOR SUPPORT	1
0007	A11888	BOX SUPPORT	1
0008	A11889	RING NUT	2
0009	A11890	SUPPORT	1
0010	A11891	BRACKET	1
0011	A11892	BRACKET	1
0012	A11893	BLACK COVER	1
0013	A11815	O-RING	2
0014	A11894	SWITCH TANG	1
0015	A11895	TAIL PIECE	1
0016	A11896	BOX COVER	1
0017	A11897	CONTROL BOX	1
0018	A11898	THICKNESS	1
0019	A11899	TANK CAP	1
0020	A11900	KNOB	2
0021	A11901	COVER	1
0022	A11902	DOOR	1
0023	A11903	DOOR	1
0024	A11904	PIN	2
0025	A11905	DOOR	1
0026	A11906	DOOR	1
0027	A11907	DOOR	1
0028	A11908	TOOL HOLDER	1
0029	A11909	RUBBER	1



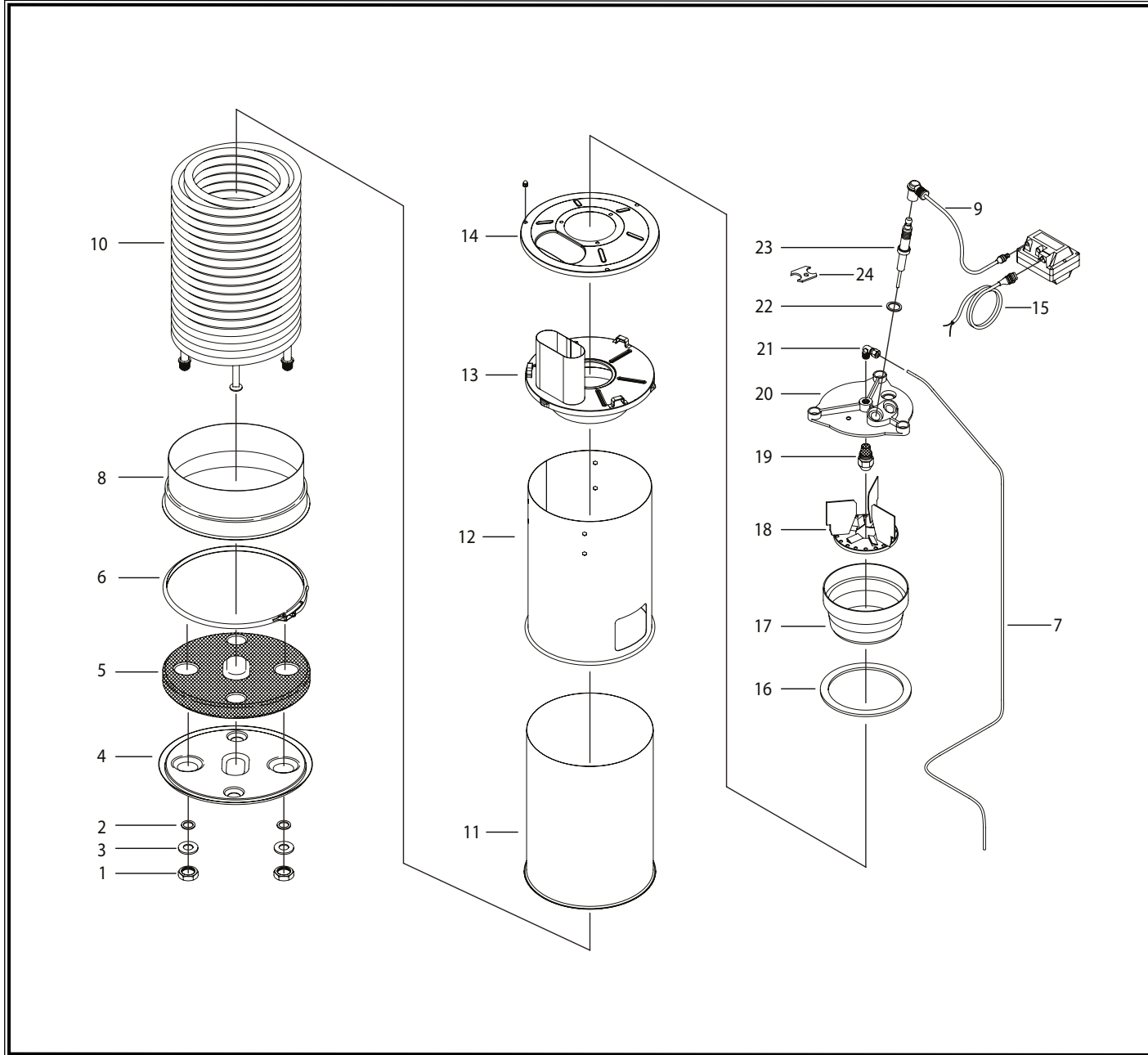
POS.	CODE	DESCRIPTION	QTY
0030	A11910	PIN	2
0031	48524	GRIP	1
0032	48523	LANCE	1
0033	48531	NOZZLE	1
0034	48525	HIGHT PRESSURE HOSE	1
0035	A11912	DISCHARGE CAP	1
0036	A11913	EDGE H=10	0
0037	A11914	TANK	1
0038	A12027	LABEL	1
0039	A11916	JOINT MOUSSE	1
0040	A11917	SUPPORT	1
0041	A11918	O-RING	2
0065	A11919	GASKET	1
0071	A11920	CLIP	2
0073	A11921	CLIP	1
0074	A12028	BRACKET	1



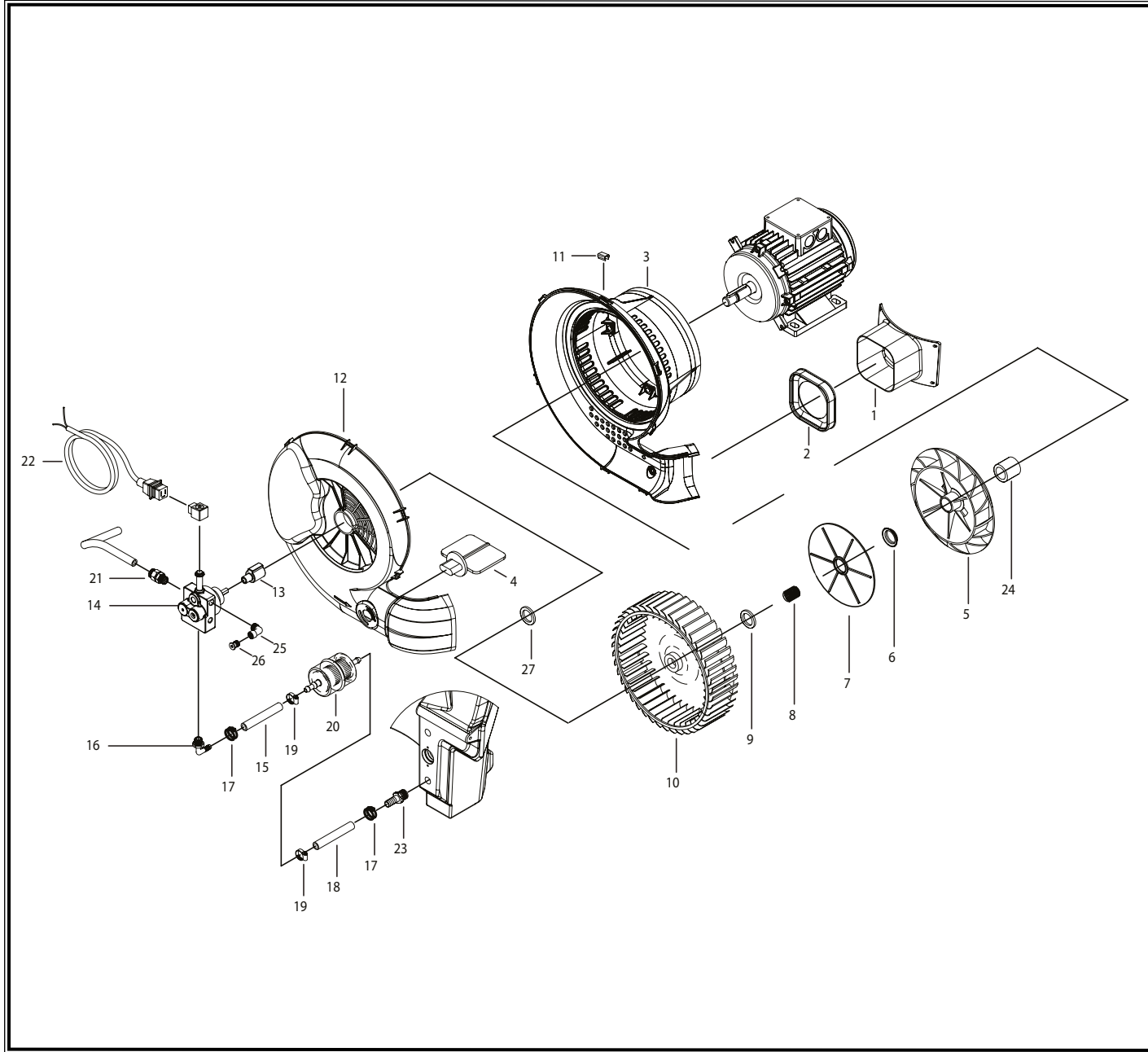
POS.	CODE	DESCRIPTION	QTY
0001	A12029	3PH MOTOR	1
0002	A11924	NIPPLE 3/4 - 1/2	1
0003	A11925	HOSE	1
0004	A06582	FILTER	1
0005	A11822	SOCKET	1
0006	A11804	CONNECTOR	1
0007	A12030	TUBE	1
0008	A11927	CLAMP	1
0009	A11928	DETERGENT HOSE	2
0010	A	CONNECTOR	1
0011	A11817	PLUG "U" T - STOP	2
0012	A11818	PLUG "U"	2
0013	A	SMALL PISTON	1
0014	A	SPRING	1
0015	A	BUSHING	1
0017	A	O-RING	1
0018	A	O-RING	1
0019	A	VALVE TAP	1
0020	A11929	CONNECTOR	1
0021	A11930	CONNECTOR	1
0022	A11931	MALE COUPLING M22-3/8 M	1
0023	A11932	O-RING	1
0024	A11933	SUMP	1
0025	A12031	CAP	2
0026	A11935	FILTER	1
0027	A11936	WASHER	1
0028	A12032	PUMP	1
0029	A06679	VALVE	1



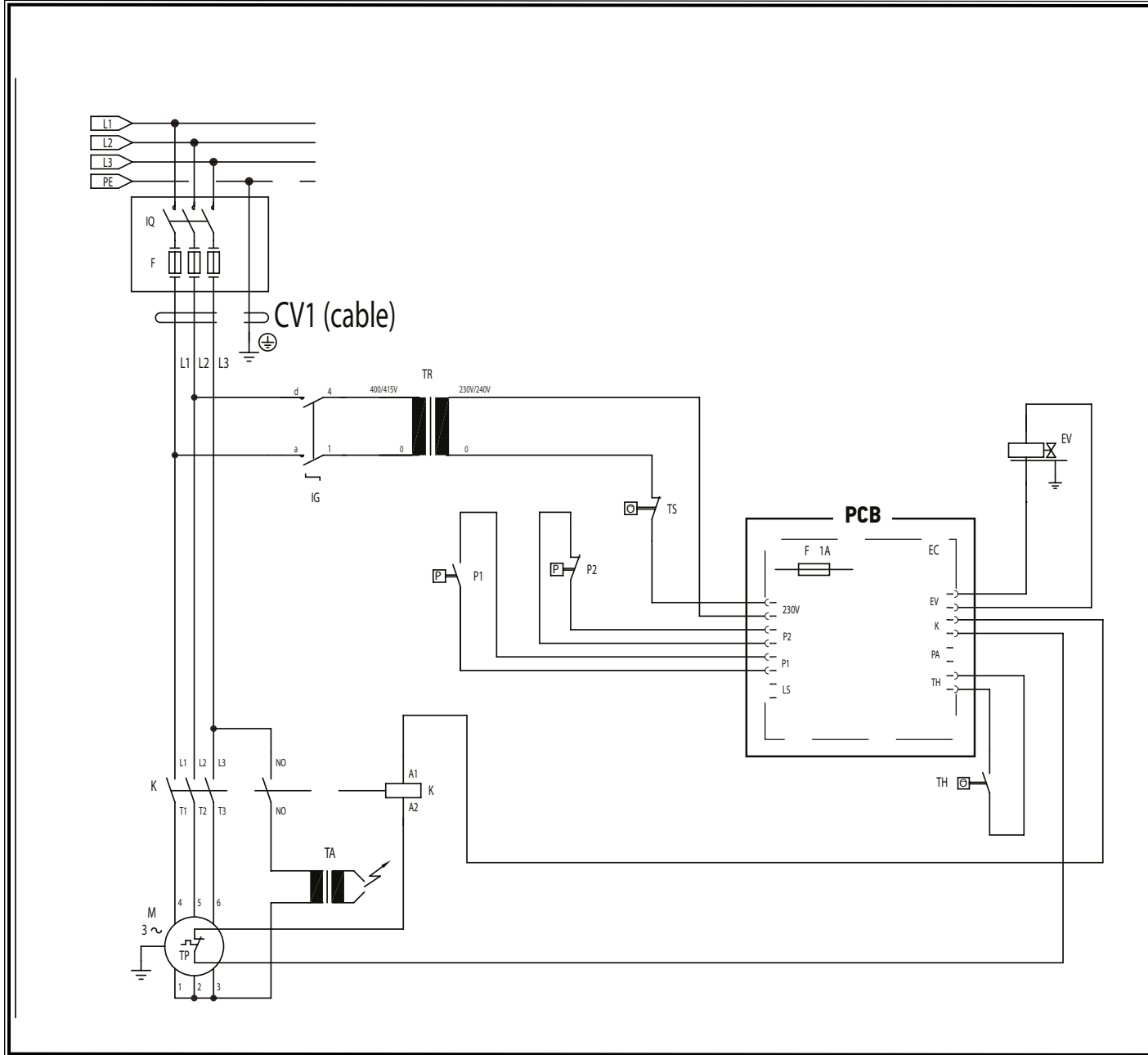
POS.	CODE	DESCRIPTION	QTY
0030	A06575	EJECTOR	1
0031	A11938	CONNECTOR	1
0032	A11939	O-RING	1
0033	A12033	ELBOW	1
0034	A06659	PRESSURE GAUGE	1
0036	A11941	KNOB	1
0037	A11942	SCREW	1
0038	A11944	WASHER	2
0039	A11943	O-RING	2
0040	A11945	SCREW	1
0041	A11947	WASHER	2
0042	A11946	O-RING	2
0043	A11934	SLEEVE	1
0044	A12034	BUSHING	1
0045	A12035	O-RING	1
0046	A12036	O-RING	1
A	A06616	KIT	1



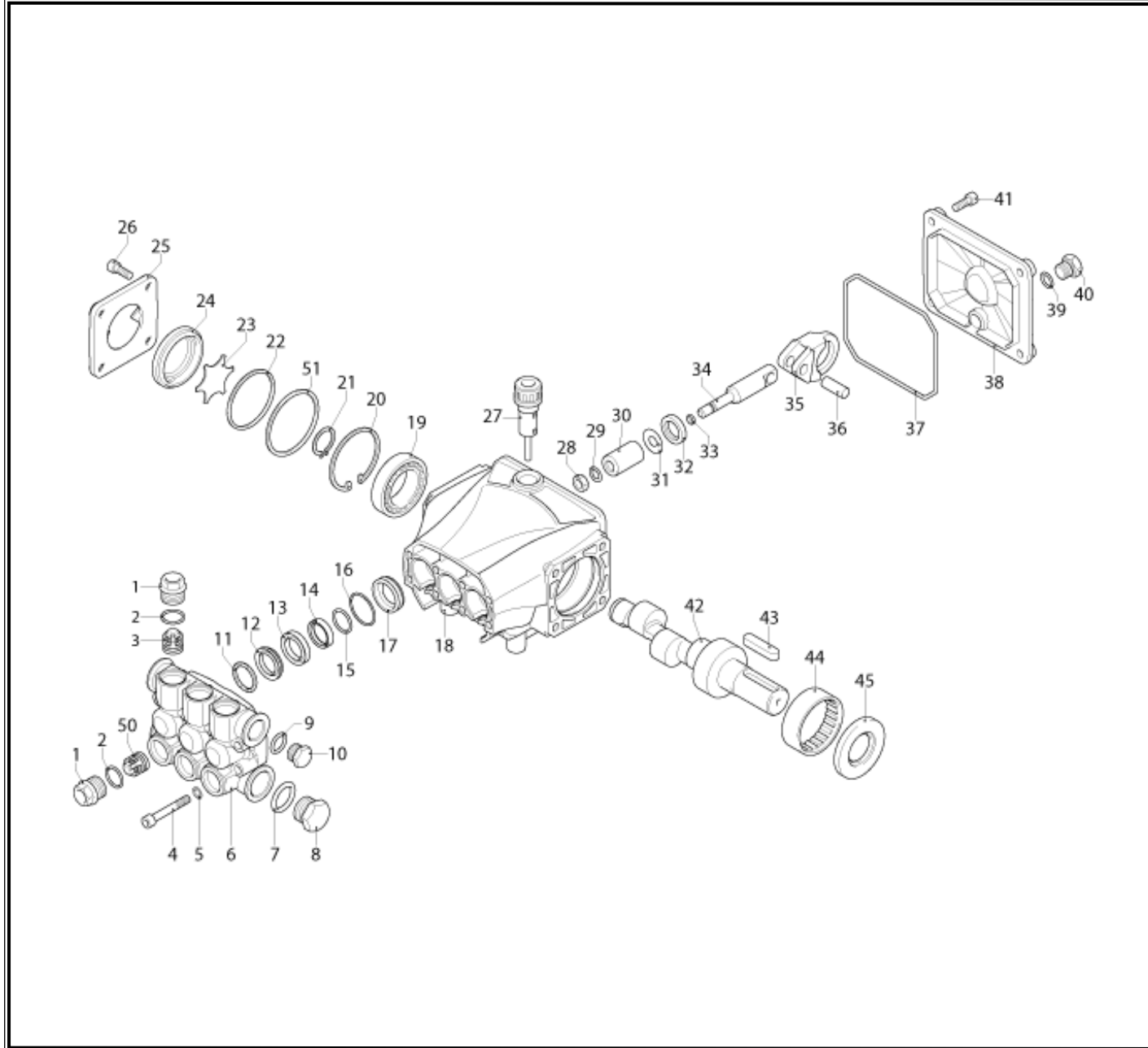
POS.	CODE	DESCRIPTION	QTY
0001	A11948	RING NUT	2
0002	A06585	O-RING	2
0003	A06587	ANTI-EXTR. RING	2
0004	A11949	BOILER BOTTOM	1
0005	A06595	BOTTOM	1
0006	A11950	RING	1
0007	A12037	FUEL HOSE	1
0008	A11952	BAND	1
0009	A06635	CABLE	2
0010	A12038	DOUBLE COIL	1
0011	A12039	INT. CYLINDER	1
0012	A12040	EXT. CYLINDER	1
0013	A12041	BOILER COVER	1
0014	A11957	BOILER COVER	1
0015	A11958	CABLE	1
0016	A06588	GASKET	1
0017	A11829	NOSE PIECE	1
0018	A11959	BAFFLE	1
0019	A06669	BURNER NOZZLE	1
0020	A11831	ELECTR. HOLDER	1
0021	A11960	ELBOW	1
0022	A11961	WASHER	2
0023	A06625	ELECTRODE	2
0024	A11832	PLATE	1



POS.	CODE	DESCRIPTION	QTY
0001	A11962	CONVEYOR	1
0002	A11963	GASKET	1
0003	A11964	SCROLL BODY	1
0004	A11965	BUTTER FLY VALVE	1
0005	A11966	MOTOR FAN	1
0006	A11967	BUSHING	1
0007	A11968	SEPARATOR	1
0008	A11969	BUSHING	1
0009	A11970	CIRCLIP	1
0010	A11971	IMPELLER	1
0011	A11972	CLIP	8
0012	A12042	VENTILATOR	1
0013	A06576	JOINT	1
0014	A06662	FUEL PUMP	1
0015	A11977	HOSE	0.11m
0016	A11975	HOSE FITTING	1
0017	A11976	CLAMP	2
0018	A11977	HOSE	0.6m
0019	A11978	CLAMP	2
0020	A06579	FILTER	1
0021	A11979	CONNECTOR	1
0022	A11980	CABLE	1
0023	A11981	HOSE FITTING	1
0025	A11940	ELBOW	1
0026	A11984	CAP	1
0027	A11985	WASHER	1

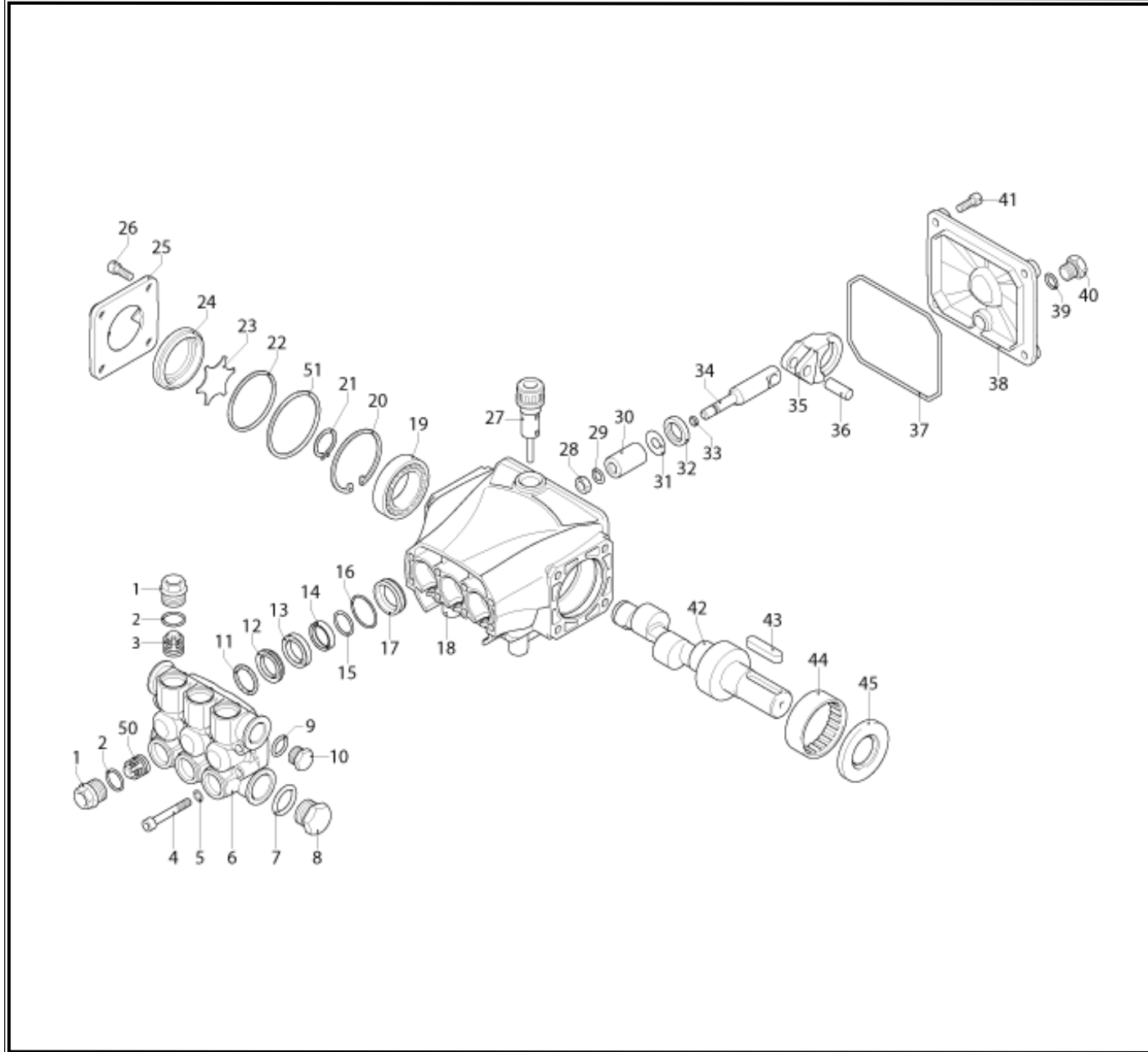


POS.	CODE	DESCRIPTION	QTY
K	A06654	CONTACTOR	1
EC	A06627	PCB	1
EV	A06623	COIL	1
IG	A06631	SWITCH	1
TA	A06652	TRANSFORMER	1
TH	A06650	THERMOSTAT	1
TR	A12043	TRANSFORMER	1
TS	A06646	THERMOSTAT	1
CV1	A12044	CABLE H07 4X1.5 L=6.500	1
P1-P2	A06639	PRESSURE SWITCH	2

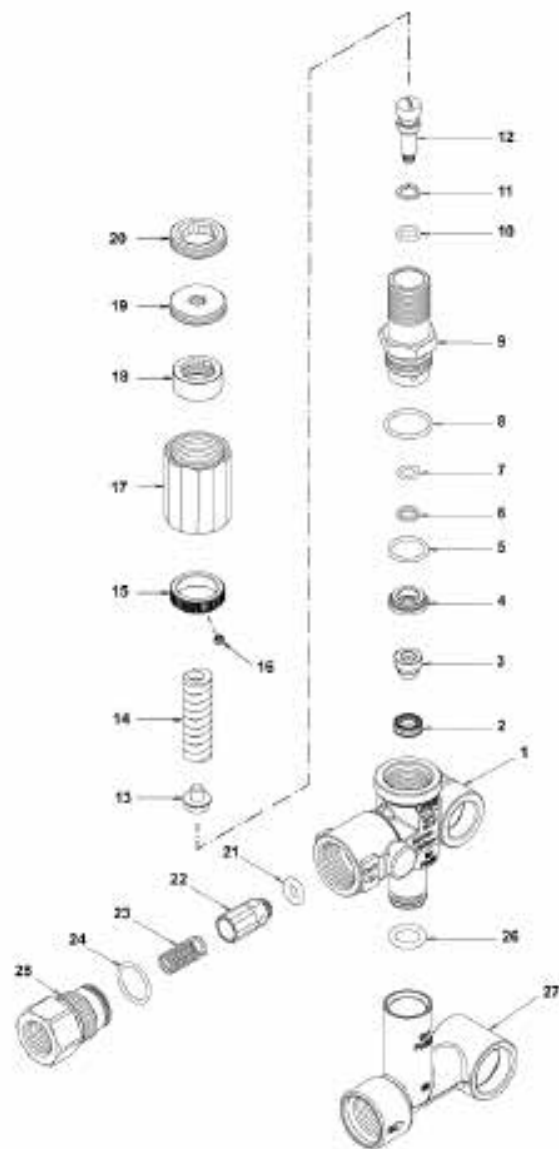


POS.	CODE	DESCRIPTION	QTY
0001	A11986	CAP	6
0002	A11987	O-RING	6
0003	F	VALVE	3
0004	A11988	SCREW	8
0005	A11989	WASHER	8
0006	A11990	HEAD	1
0007	A11991	O-RING	1
0008	A11992	CAP	1
0009	A11993	O-RING	1
0010	A11994	CAP	1
0011	D	HEAD RING	3
0012	C	PACKING	3
0013	A11995	INTERMED. RING	3
0014	C	PACKING	3
0015	C	ANTI-EXTR. RING	3
0016	C	O-RING	3
0017	A11996	PACKING RETAIN.	3
0018	A11997	PUMP CRANKCASE	1
0019	A06569	BALL BEARING 6304	1
0020	A11998	CIRCLIP	1
0021	A11999	CIRCLIP	1
0022	A12000	O-RING	1
0023	A12001	OIL INDICATOR	1
0024	A12002	OIL INDICATOR	1
0025	A12003	CRANKASE COVER	1
0026	A12004	SCREW	4
0027	A12005	OIL CAP	1
0028	A12006	NUT M8	3
0029	A12007	WASHER	3

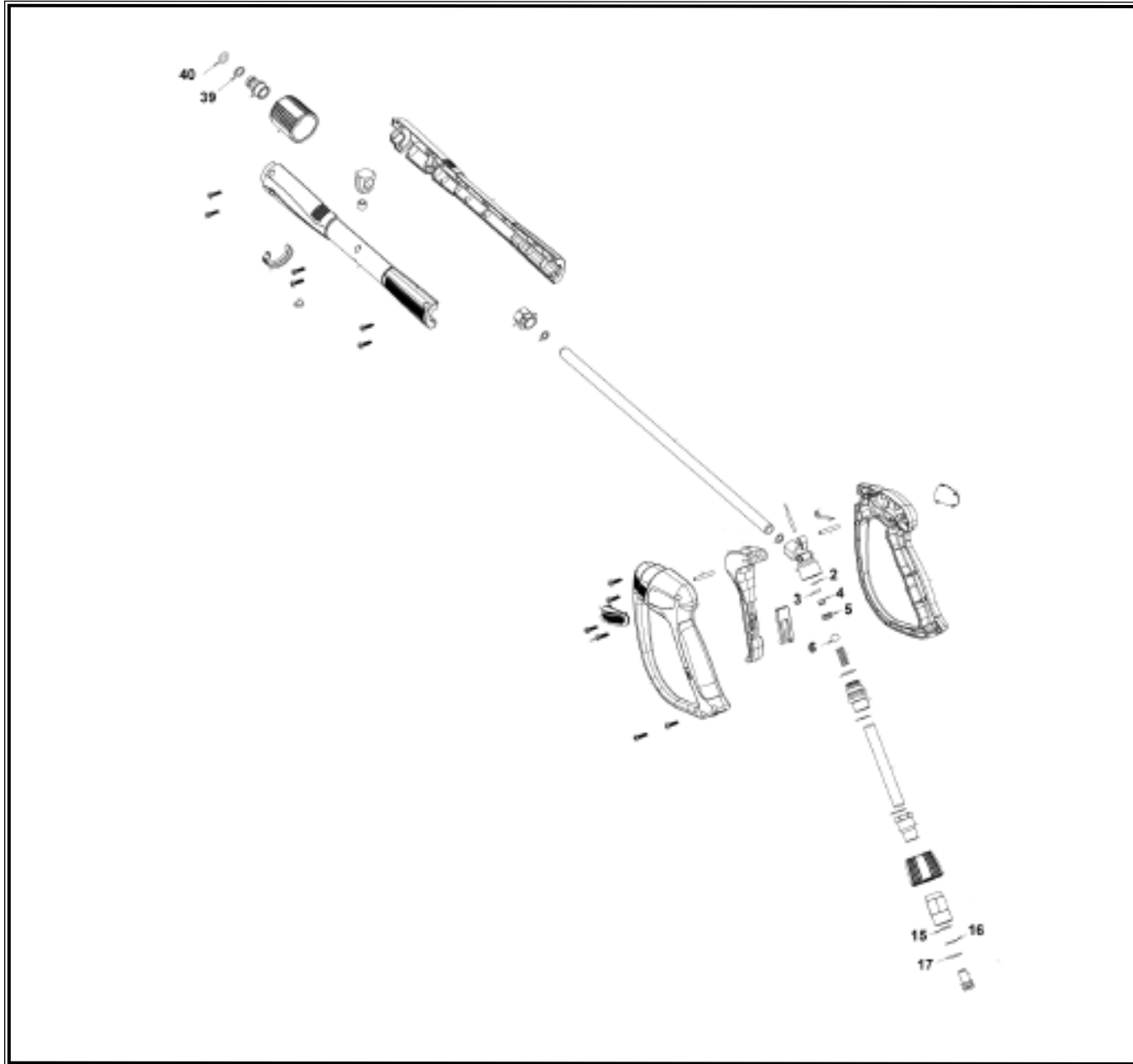




POS.	CODE	DESCRIPTION	QTY
0030	B	PISTON	3
0031	A12008	DISC	3
0032	E	OIL SEAL	3
0033	A12009	O-RING	3
0034	A12010	PISTON GUIDE	3
0035	A12011	CONNECTING ROD	3
0036	A12012	GUDGEON	3
0037	A12013	O-RING	1
0038	A12014	CRANKASE COVER	1
0039	A12015	O-RING	1
0040	A11859	CAP	1
0041	A12016	SCREW	4
0042	A12045	SHAFT	1
0043	A12018	KEY	1
0044	A06568	ROLLER BEARING HK 4516	1
0045	E	OIL SEAL	1
0050	F	VALVE	3
0051	A12019	RING	1
B	A07079	SERVICE KIT	1
C	A06601	SERVICE KIT	1
D	A06602	SERVICE KIT	1
E	A06603	SERVICE KIT	1
F	A06608	SERVICE KIT	1



POS.	CODE	DESCRIPTION	QTY
0001	A12020	VALVE BODY	1
0002	A, B	VALVE SEAT	1
0003	A, B	COUPLING	1
0004	B	SPACER	1
0005	A, B	O-RING	1
0006	A, B	ANTI-EXTR. RING	1
0007	A, B	O-RING	1
0008	A, B	O-RING	1
0009	B	CONNECTOR	1
0010	A, B	O-RING	1
0011	A, B	ANTI-EXTR. RING	1
0012	B	SMALL PISTON	1
0013	B	SPRING PLATE	1
0014	B	SPRING	1
0015	B	RING NUT	1
0016	B	SCREW	1
0017	B	CAP	1
0018	B	RING NUT	1
0019	B	REGISTER	1
0020	B	CLAMP	1
0021	A	O-RING	1
0022	A12021	COUPLING	1
0023	A12022	SPRING	1
0024	A	O-RING	1
0025	A12046	CONNECTOR	1
0026	A12024	O-RING	1
0027	A12025	CONNECTOR	1
A	A06610	SERVICE KIT	
B	A06612	SERVICE KIT	



POS.	CODE	DESCRIPTION	QTY
0002	B	ANTI-EXTR. RING	1
0003	B	O-RING	1
0005	B	BALL SEAT	1
0006	B	BALL	1
0015	A	ANTI-EXTR. RING	1
0016	A	ANTI-EXTR. RING	1
0017	A	O-RING	1
0039	A06589	ANTI-EXTR. RING	1
0040	A06586	O-RING	1
A	A06611	SERVICE KIT	1
B	A06617	SERVICE KIT	1