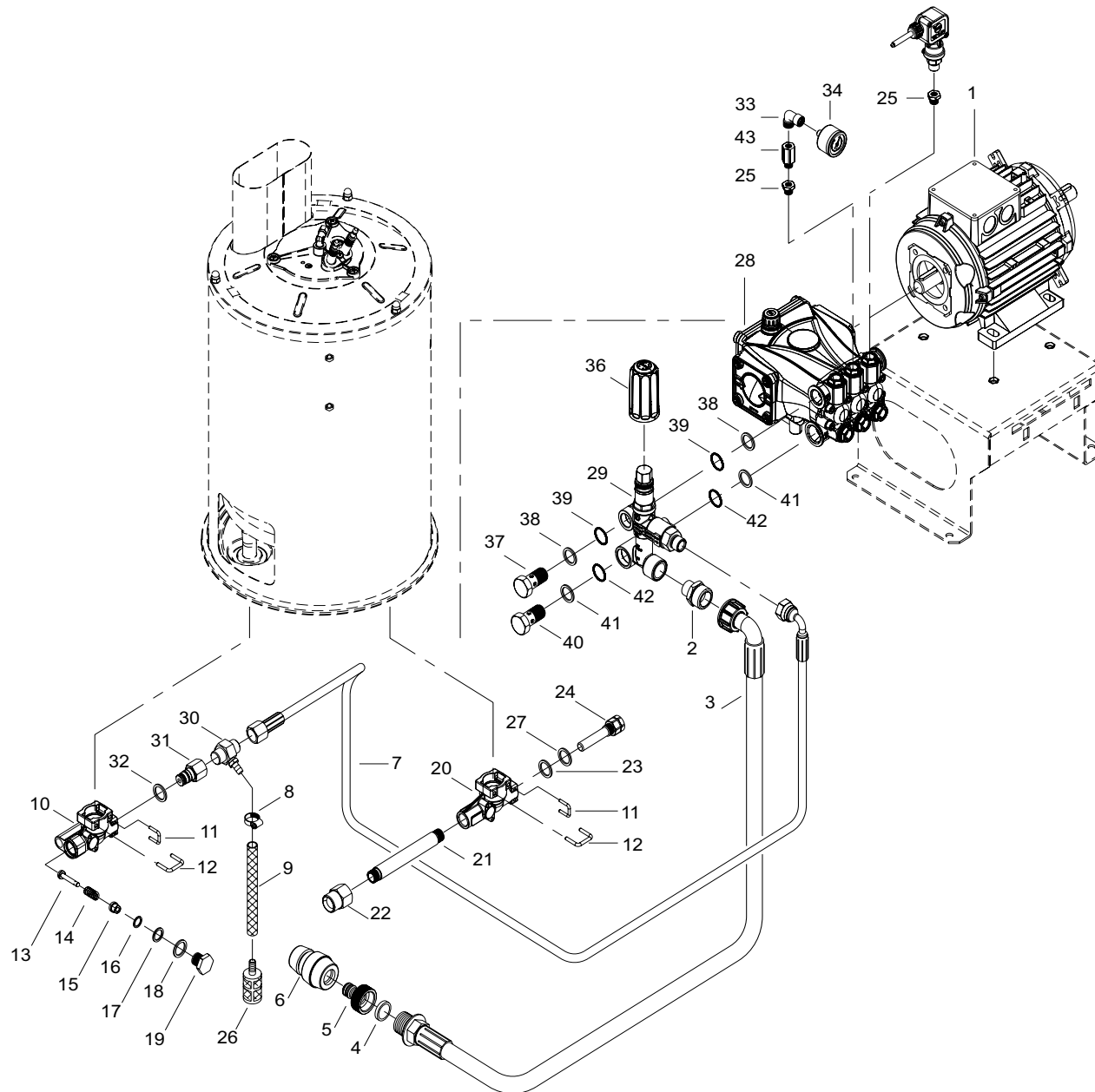


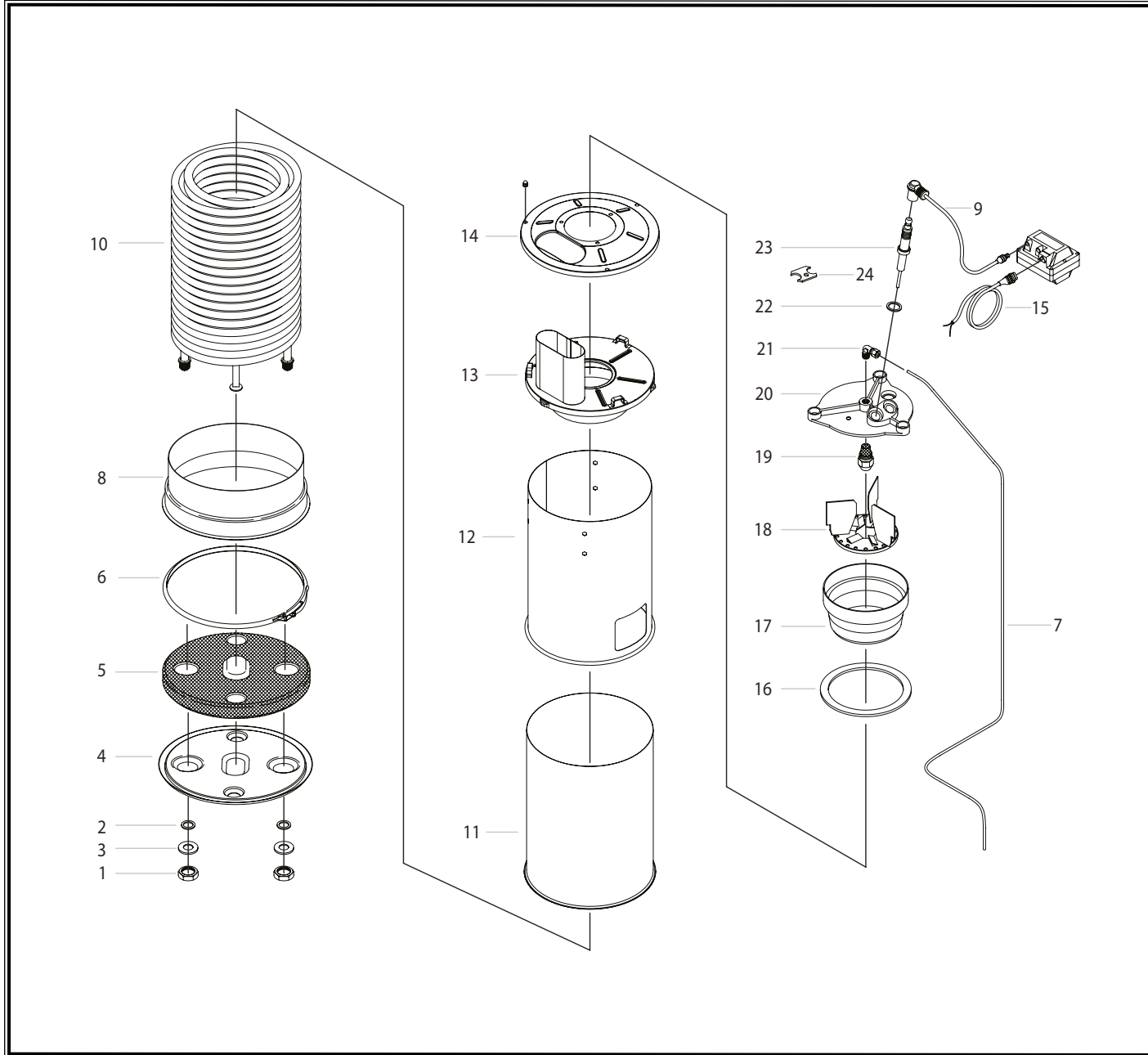
POS.	CODE	DESCRIPTION	QTY
1	A11883	TROLLEY	1
2	A11884	WHEEL	2
3	A11793	WASHER	2
4	A11885	CAP	2
5	A11886	TURNING WHEEL	1
6	A11887	MOTOR SUPPORT	1
7	A11888	BOX SUPPORT	1
8	A11889	RING NUT	2
9	A11890	SUPPORT	1
10	A11891	BRACKET	1
11	A11892	BRACKET	1
12	A11893	COVER	1
13	A11815	O-RING	2
14	A11894	SWITCH TANG	1
15	A11895	TAIL PIECE	1
16	A11896	BOX COVER	1
17	A11897	CONTROL BOX	1
18	A11898	THICKNESS TERM.	1
19	A11899	TANK CAP	1
20	A11900	KNOB	2
21	A11901	YELLOW COVER	1
22	A11902	DOOR	1
23	A11903	DOOR	1

POS.	CODE	DESCRIPTION	QTY
24	A11904	PIN	2
25	A11905	DOOR	1
26	A11906	DOOR	1
27	A11907	DOOR	1
28	A11908	TOOL HOLDER	1
29	A11909	RUBBER	1
30	A11910	PIN	2
31	48524	GRIP	1
32	48534	LANCE	1
33	48531	NOZZLE	1
34	48525	HIGHT PRESSURE HOSE	1
35	A11912	DISCHARGE CAP	1
36	A11913	EDGE H=10	1
37	A11914	TANK	1
38	A11915	LABEL	1
39	A11916	JOINT MOUSSE	1
40	A11917	SUPPORT	1
41	A11918	O-RING	2
65	A11919	GASKET	1
71	A11920	CLIP	2
73	A11921	CLIP	1
74	A11922	BRACKET	1

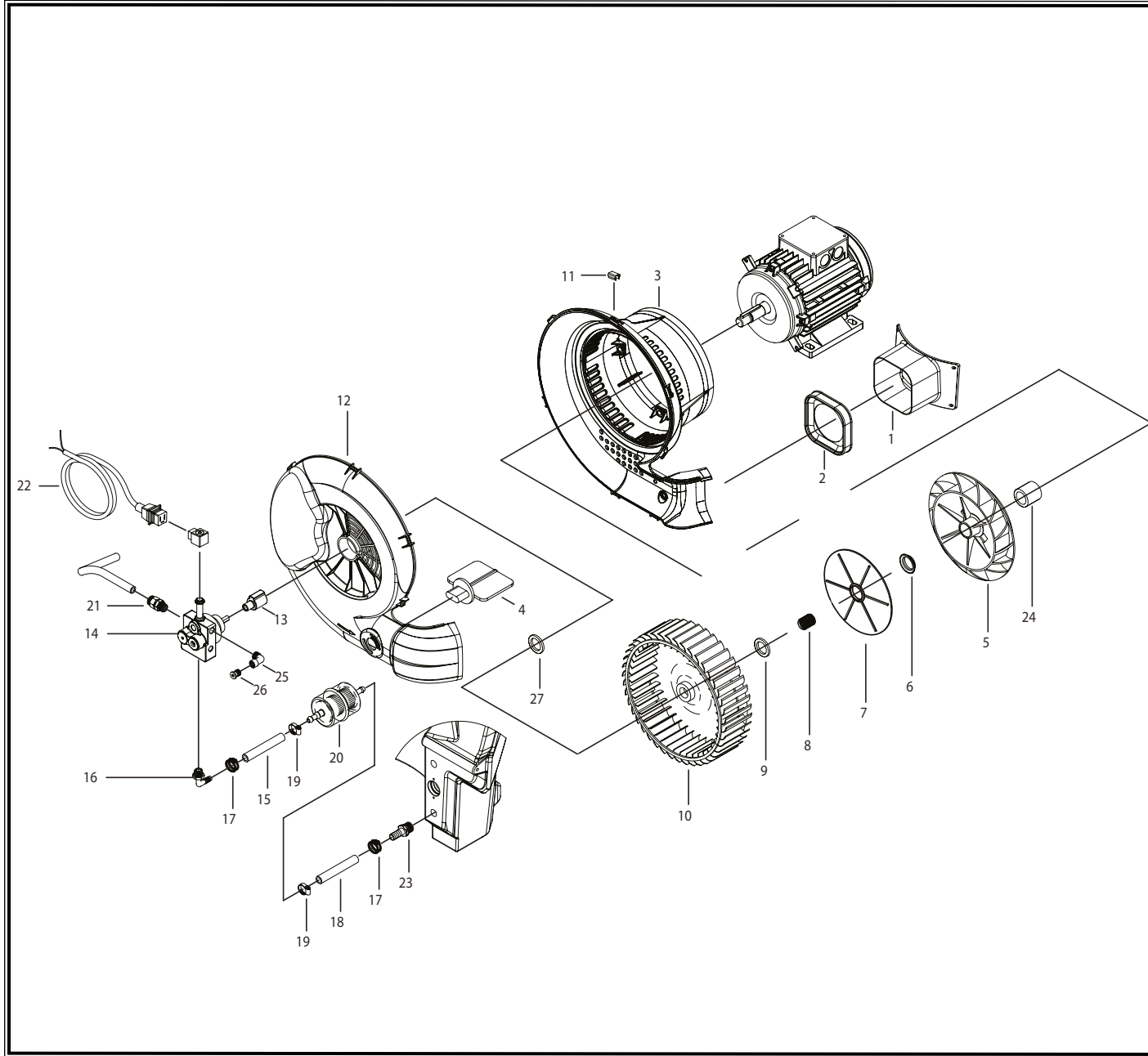


POS.	CODE	DESCRIPTION	QTY
1	A11923	1PH MOTOR	1
2	A11924	NIPPLE 3/4 - 1/2	1
3	A11925	HOSE L=880 3/4F	1
4	A06582	FILTER	1
5	A11822	SOCKET	1
6	A11804	CONNECTOR D. 1/2"-5/8"	1
7	A11926	HOSE	1
8	A11927	CLAMP	1
9	A11928	DETERGENT HOSE	1,5m
10	S	CONNECTOR	1
11	A11817	PLUG "U" T-STOP	2
12	A11818	PLUG "U"	2
13	S	SMALL PISTON	1
14	S	SPRING	1
15	S	BUSHING	1
16	S	WASHER	1
17	S	O-RING	1
18	S	O-RING	1
19	S	VALVE TAP	1
20	A11929	CONNECTOR	1
21	A11930	CONNECTOR L= 58 2X3/8M	1
22	A11931	MALE COUPLING M22-3/8	1

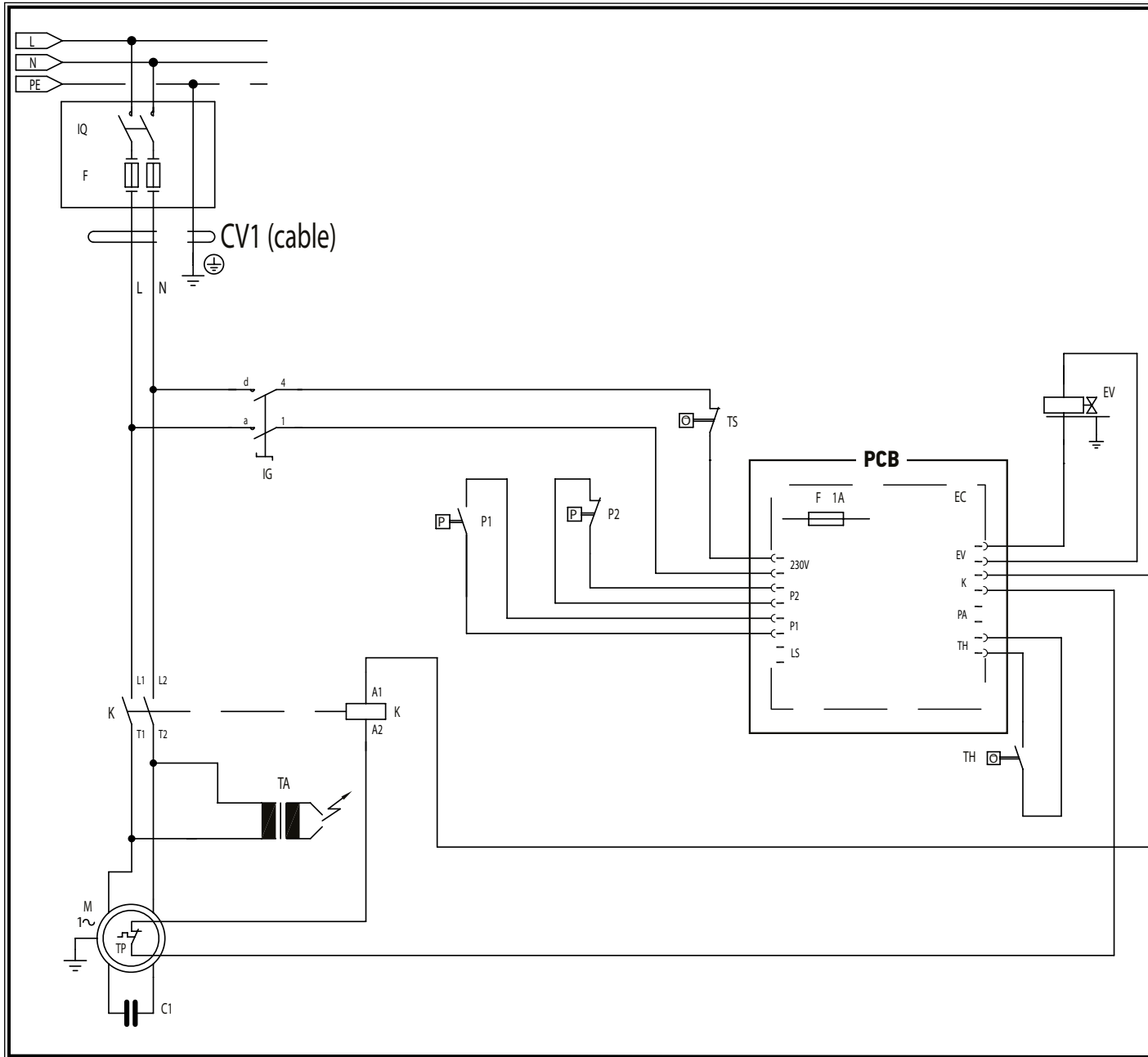
POS.	CODE	DESCRIPTION	QTY
23	A11932	O-RING	1
24	A11933	SUMP	1
25	A12031	CAP	2
26	A11935	FILTER	1
27	A11936	WASHER	1
28	A11937	PUMP	1
29	A06678	VALVE	1
30	A06574	EJECTOR	1
31	A11938	CONNECTOR	1
32	A11939	O-RING	1
33	A11940	ELBOW	1
34	A06660	PRESSURE GAUGE	1
36	A11941	KNOB	1
37	A11942	SCREW	1
38	A11943	O-RING	2
39	A11944	WASHER	2
40	A11945	SCREW	1
41	A11946	O-RING	2
42	A11947	WASHER	2
43	A11934	SLEEVE	1
S	A06615	KIT P 14- 64 PW-H28 170b.	1



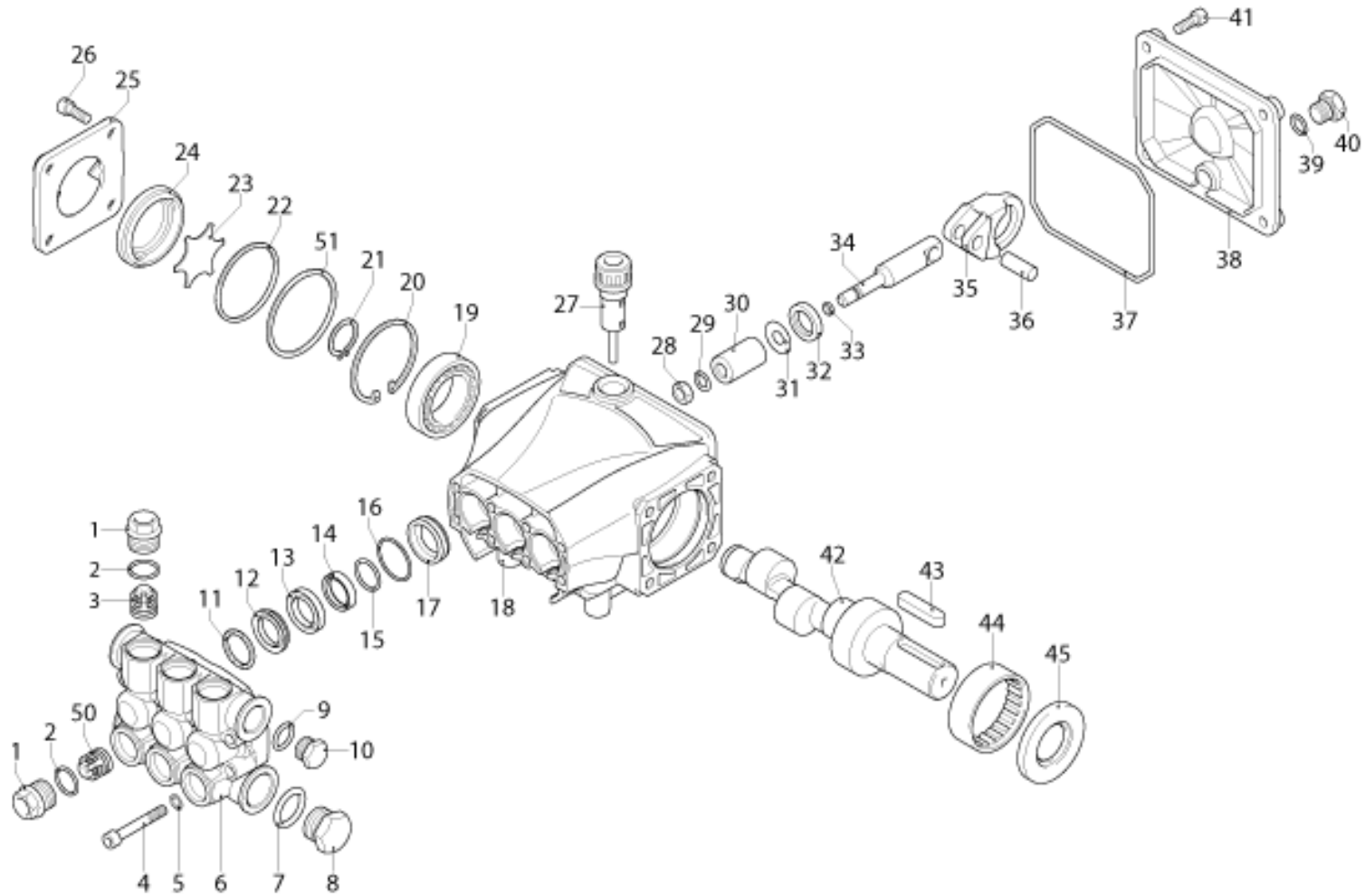
POS.	CODE	DESCRIPTION	QTY
1	A11948	RING NUT	2
2	A06585	O-RING	2
3	A06587	ANTI-EXTR. RING	2
4	A11949	BOILER BOTTOM	1
5	A06595	BOTTOM	1
6	A11950	RING	1
7	A11951	FUEL HOSE	1
8	A11952	BAND	1
9	A06635	CABLE	2
10	A11953	DOUBLE COIL	1
11	A11954	INT. CYLINDER	1
12	A11955	EXT. CYLINDER	1
13	A11956	BOILER COVER	1
14	A11957	BOILER COVER	1
15	A11958	CABLE	1
16	A06588	GASKET	1
17	A11829	NOSE PIECE	1
18	A11959	BAFFLE	1
19	A06669	BURNER NOZZLE	1
20	A11831	ELECTR. HOLDER	1
21	A11960	ELBOW	1
22	A11961	WASHER	2
23	A06625	ELECTRODE	2
24	A11832	PLATE	1



POS.	CODE	DESCRIPTION	QTY
1	A11962	CONVEYOR	1
2	A11963	GASKET	1
3	A11964	SCROLL BODY	1
4	A11965	BUTTERFLY VALVE	1
5	A11966	MOTOR FAN	1
6	A11967	BUSHING	1
7	A11968	SEPARATOR	1
8	A11969	BUSHING	1
9	A11970	CIRCLIP	1
10	A11971	IMPELLER	1
11	A11972	CLIP	8
12	A11973	VENTILATOR COVER	1
13	A06576	JOINT	1
14	A06662	FUEL PUMP	1
15	A11977	HOSE	0,11m
16	A11975	HOSE FITTING "L" 1/4M	1
17	A11976	CLAMP	2
18	A11977	HOSE	0,6m
19	A11978	CLAMP	2
20	A06579	FILTER	1
21	A11979	CONNECTOR	1
22	A11980	CABLE	1
23	A11981	HOSE FITTING 1/8 M	1
24	A11982	SPACER	1
25	A11940	ELBOW	1
26	A11984	CAP	1
27	A11985	WASHER	1

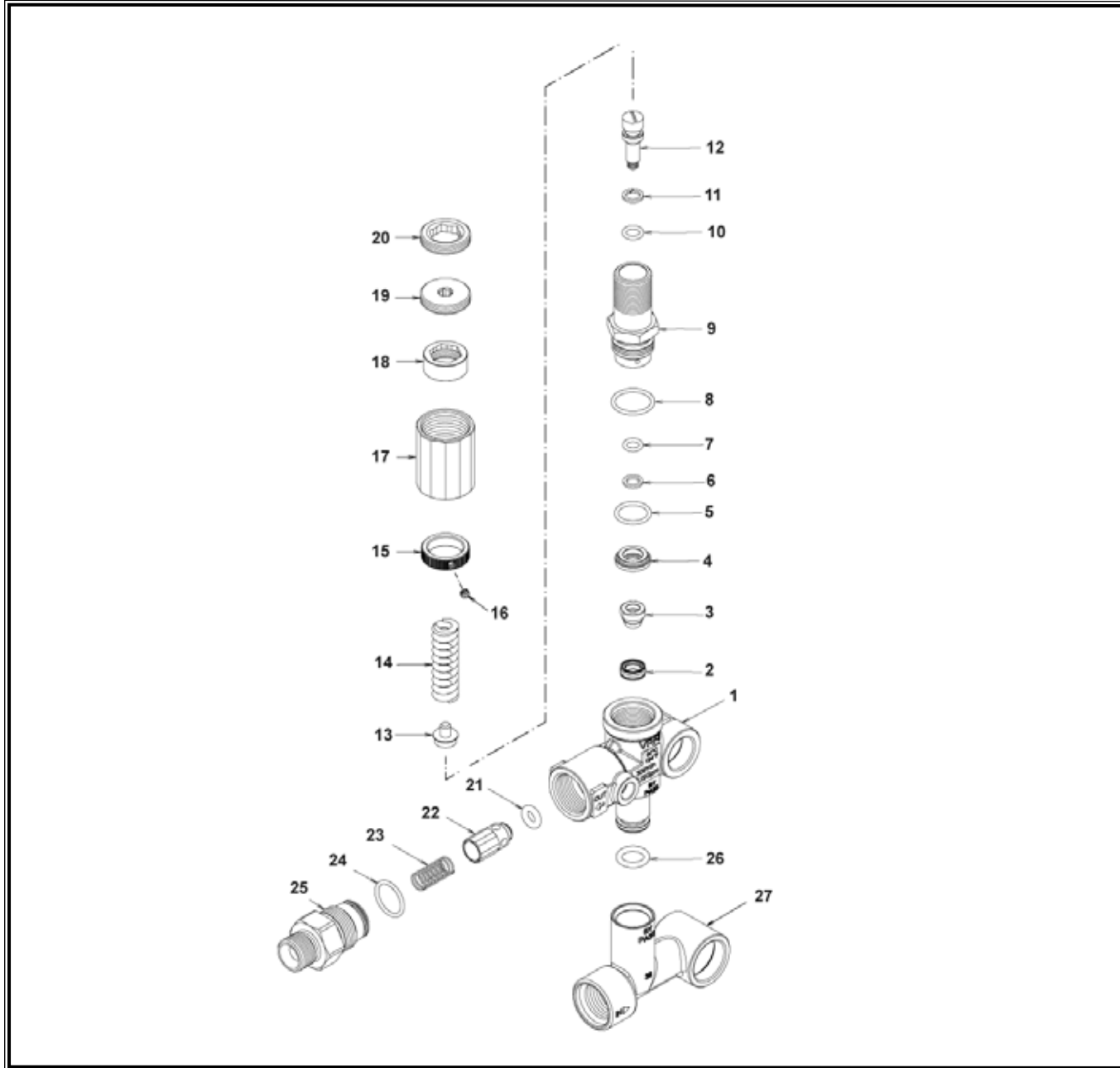


POS.	CODE	DESCRIPTION	QTY
C	A06633	CAPACITOR 70 µF	1
K	A06655	CONTACTOR	1
P	A06639	PRESSURE SWITCH	1
EC	A06627	PCB	1
EV	A06623	COIL	1
IG	A06631	SWITCH	1
TA	A06652	TRANSFORMER	1
TH	A06650	THERMOSTAT	1
TS	A06646	THERMOSTAT	1
CV1	A11839	CABLE H07 3X1.5 L=6.500	1
P1-P2	A06642	PRESSURE SWITCH	2

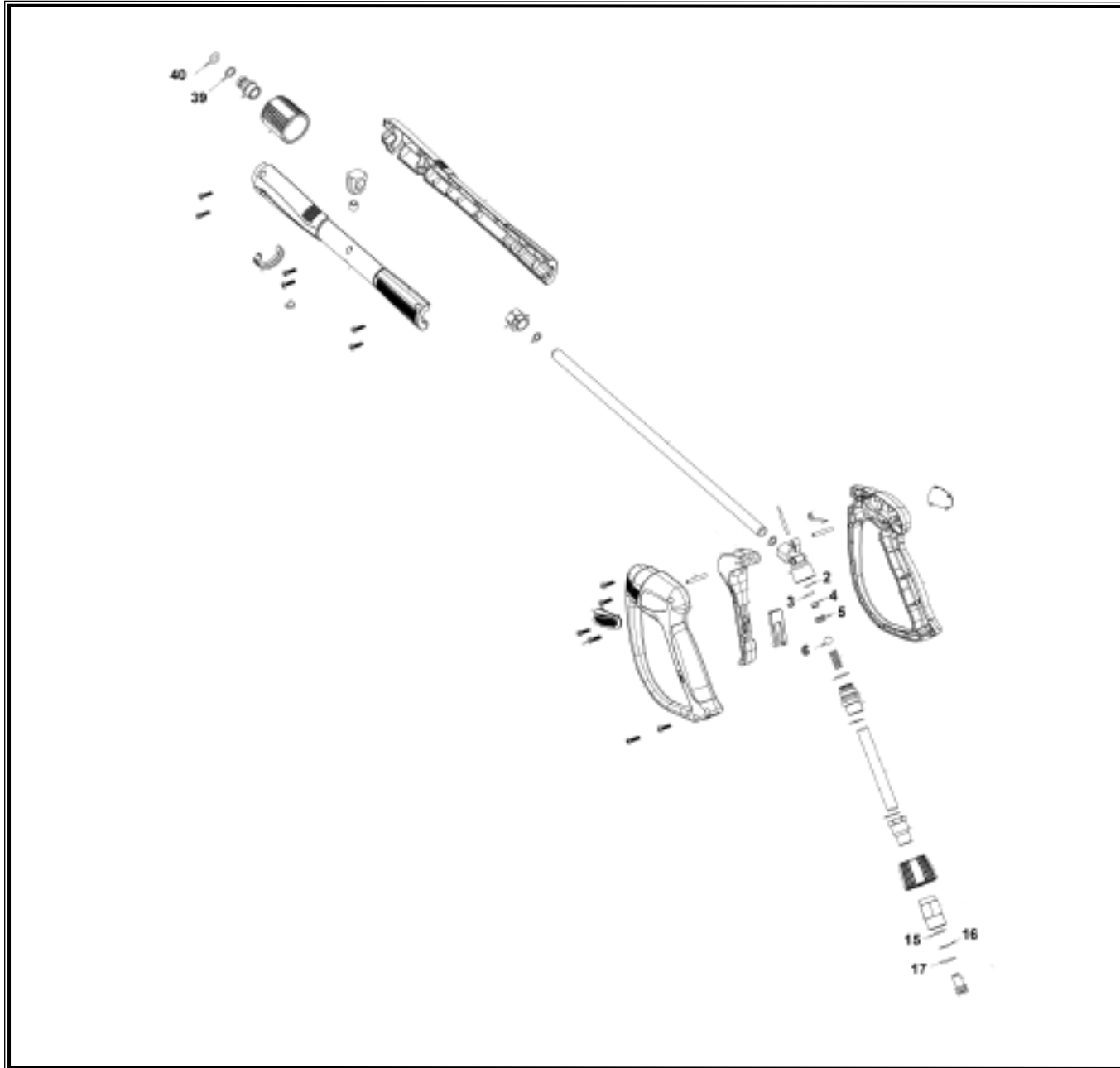


POS.	CODE	DESCRIPTION	QTY
1	A11986	CAP	6
2	A11987	O-RING	6
3	E	VALVE UNIT	3
4	A11988	SCREW	8
5	A11989	WASHER	8
6	A11990	HEAD	1
7	A11991	O-RING	1
8	A11992	CAP	1
9	A11993	O-RING	1
10	A11994	CAP	1
11	C	HEAD RING	3
12	B	PACKING	3
13	A11995	INTERMED. RING	3
14	B	PACKING	3
15	B	ANTI-EXTR. RING	3
16	B	O-RING	3
17	A11996	PACKING RETAIN.	3
18	A11997	PUMP CRANKCASE	1
19	A06569	BALL BEARING 6304	1
20	A11998	CIRCLIP	1
21	A11999	CIRCLIP	1
22	A12000	O-RING	1
23	A12001	OIL INDICATOR	1
24	A12002	OIL INDICATOR	1
25	A12003	CRANKASE COVER	1
26	A12004	SCREW	4

POS.	CODE	DESCRIPTION	QTY
27	A12005	OIL CAP	1
28	A12006	NUT M8	3
29	A12007	WASHER	3
30	A	PISTON	3
31	A12008	DISC	3
32	D	OIL SEAL	3
33	A12009	O-RING	3
34	A12010	PISTON GUIDE	3
35	A12011	CONNECTING ROD	3
36	A12012	GUDGEON	3
37	A12013	O-RING	1
38	A12014	CRANKASE COVER	1
39	A12015	O-RING	1
40	A11859	CAP	1
41	A12016	SCREW	4
42	A12017	SHAFT	1
43	A12018	KEY	1
44	A06568	ROLLER BEARING	1
45	D	OIL SEAL	1
50	E	VALVE UNIT	3
51	A12019	RING	1
A	A07079	SERVICE KIT	1
B	A06601	SERVICE KIT	1
C	A06602	SERVICE KIT	1
D	A06603	SERVICE KIT	1
E	A06608	SERVICE KIT	1



POS.	CODE	DESCRIPTION	QTY
1	A12020	VALVE BODY	1
2	A, B	VALVE SEAT	1
3	A, B	COUPLING	1
4	B	SPACER	1
5	A, B	O-RING	1
6	A, B	ANTI-EXTR. RING	1
7	A, B	O-RING	1
8	A, B	O-RING	1
9	B	CONNECTOR	1
10	A, B	O-RING	1
11	A, B	ANTI-EXTR. RING	1
12	A, B	SMALL PISTON	1
13	A, B	SPRING PLATE	1
14	A, B	SPRING	1
15	A, B	RING NUT	1
16	A, B	SCREW	1
17	A, B	CAP	1
18	A, B	RING NUT	1
19	A, B	REGISTER	1
20	A, B	CLAMP	1
21	A	O-RING	1
22	A12021	COUPLING	1
23	A12022	SPRING	1
24	A	O-RING	1
25	A12023	CONNECTOR	1
26	A12024	O-RING	1
27	A12025	CONNECTOR	1
A	A06610	SEAL KIT	1
B	A06612	SERVICE KIT	1



POS.	CODE	DESCRIPTION	QTY
2	B	ANTI-EXTR. RING	1
3	B	O-RING	1
5	B	BALL SEAT	1
6	B	BALL	1
15	A	ANTI-EXTR. RING	1
16	A	ANTI-EXTR. RING	1
17	A	O-RING	1
39	A06589	ANTI-EXTR.RING	1
40	A06586	O-RING	1
A	A06611	SERVICE KIT	1
B	A06617	SERVICE KIT	1