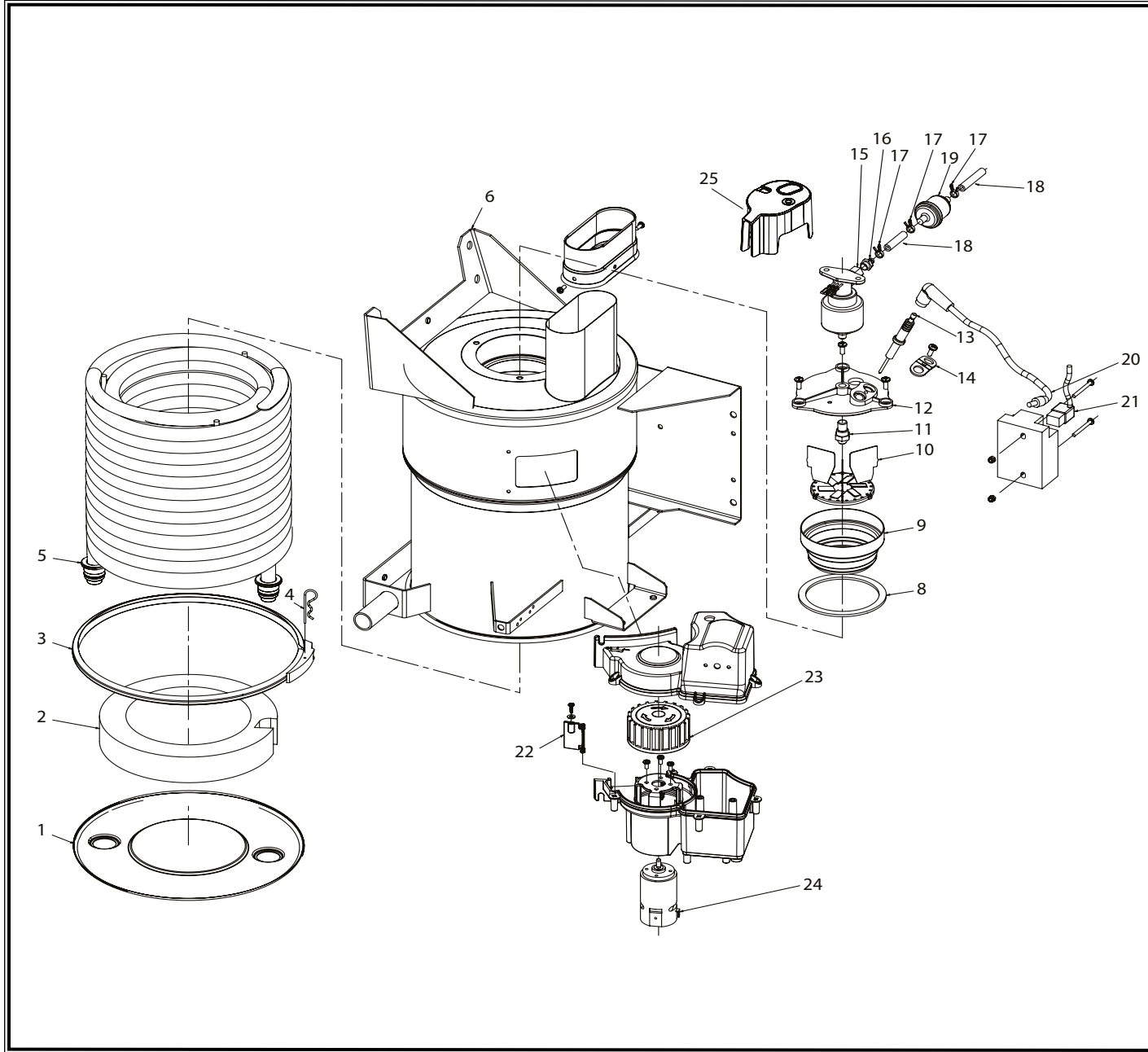
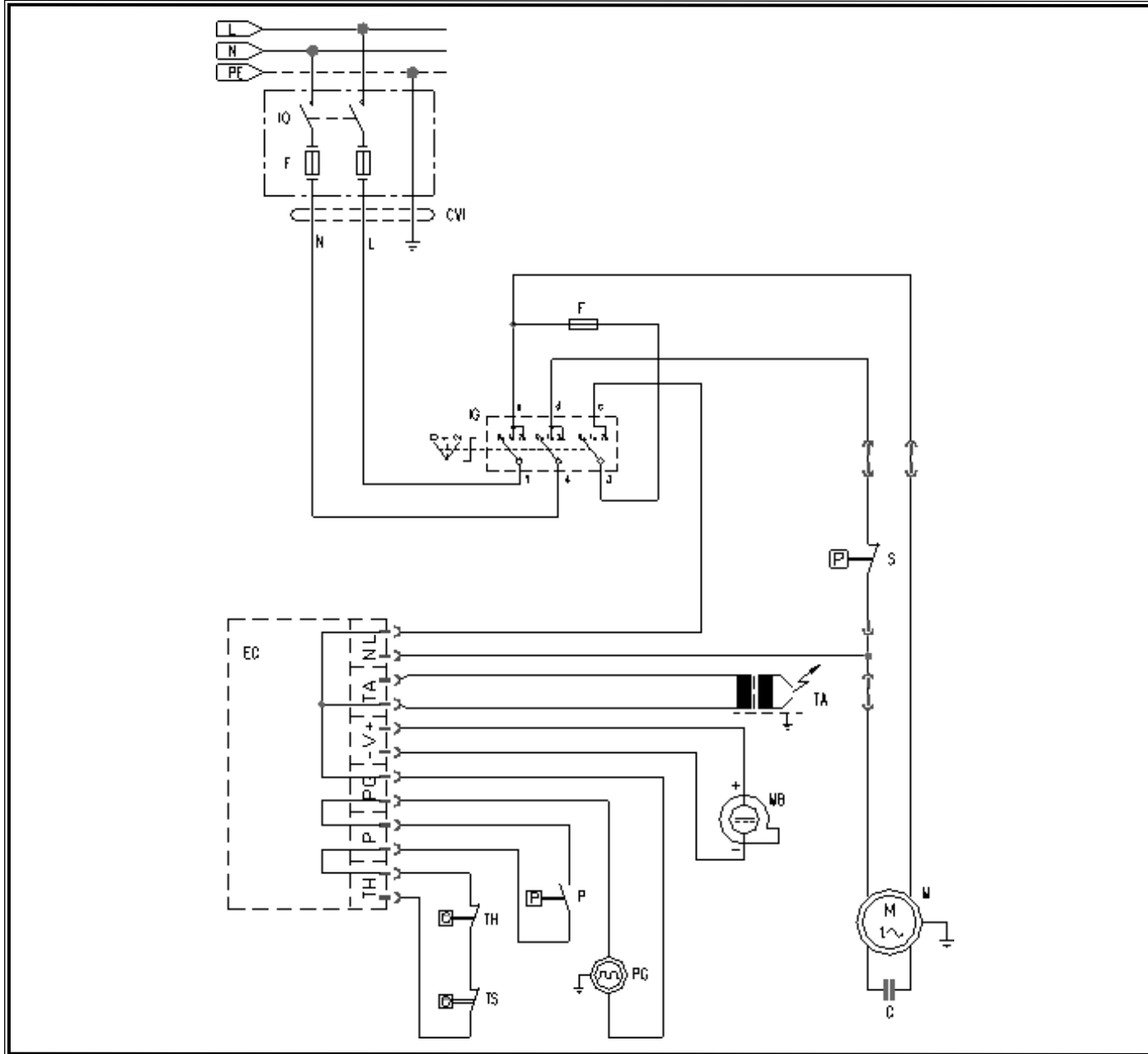


POS.	CODE	DESCRIPTION	QTY
0001	A11786	FUEL TANK	1
0002	A11787	TANK CAP	1
0003	A11788	HANDLE	1
0004	A11789	HOSE WIND	1
0005	A11790	HOSE WIND	1
0006	A11791	YELLOW COVER	1
0007	A11792	WHEEL	2
0008	A11793	WASHER	2
0009	A11794	HUB CAP	2
0010	A11795	CABLE CLAMP	1
0011	A11796	BLACK KNOB	1
0012	A11797	THICKNESS	1
0013	A11798	V-SEAL RING	1
0014	A11799	TAIL PIECE	1
0015	A11800	CABLE CLAMP	1
0016	A11801	CONTROL BOX	1
0017	A11802	BOX COVER	1
0018	A11881	O-RING	1
0019	A11803	FUSE- HOLDER	1
0020	A11804	CONNECTOR D. 1/2"-5/8"	1
0021	A06582	FILTER	1
0022	A11805	MOTOR PUMP ASS.	1
0023	A11807	TUBE 1/ 4 RACC L=380	1
0024	A11808	O-RING	1

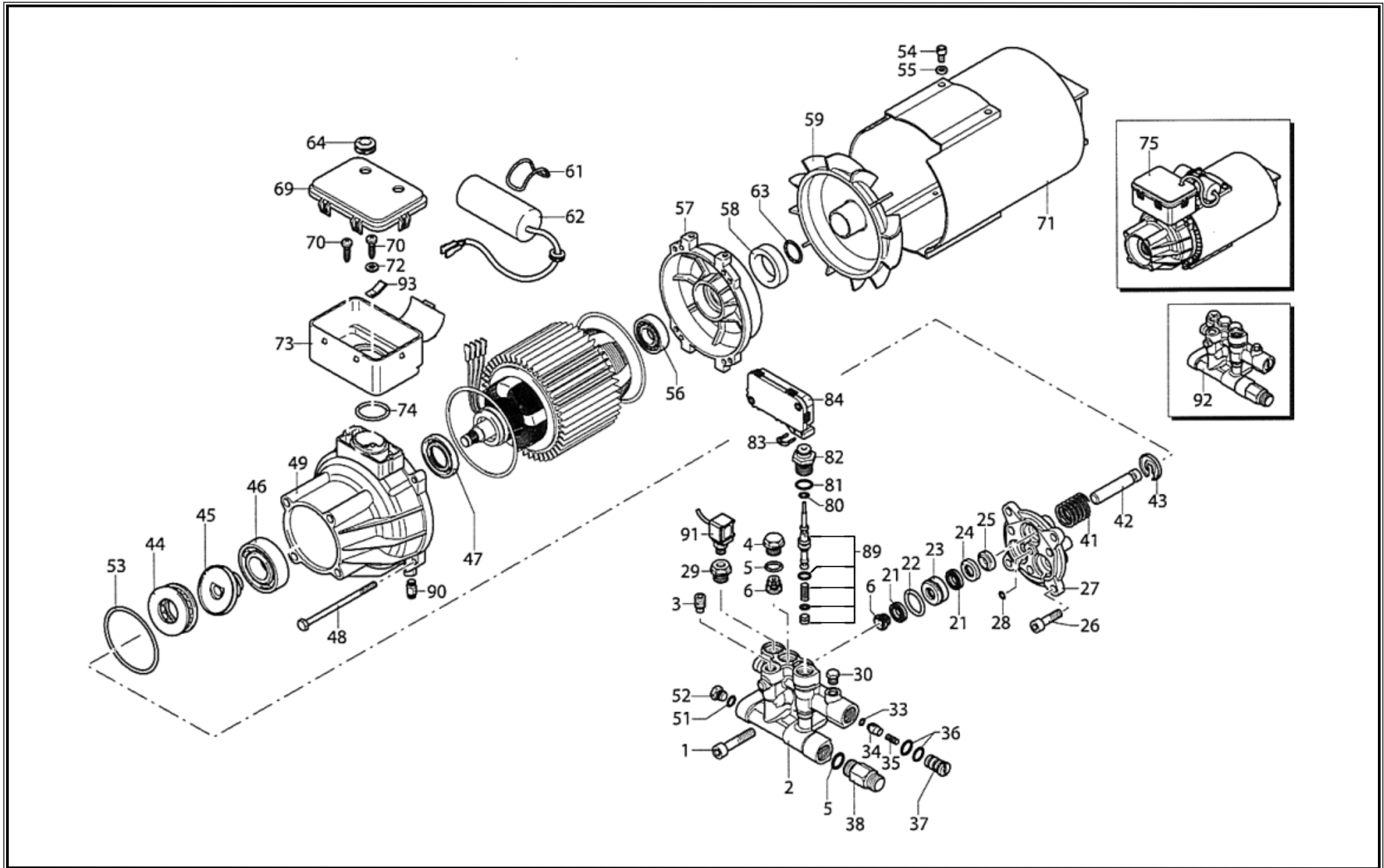
POS.	CODE	DESCRIPTION	QTY
0025	A11809	CONNECTOR	1
0026	A11810	SMALL PISTON	1
0027	A11811	SPRING	1
0028	A11812	BUSHING	1
0029	A11813	O-RING	1
0030	A11815	O-RING	1
0031	A11816	VALVE TAP	1
0032	A11817	PLUG "U" T - STOP	1
0033	A06585	O-RING	2
0034	A11818	PLUG "U"	2
0035	A11819	FOOT	1
0036	A11820	CONNECTOR	1
0037	A06587	ANT I- EXTR.RING	2
0038	48527	HOSE	1
0039	48537	GRIP	1
0043	48535	FOAM DEVICE	1
0044	48536	LANCE	1
0045	A11821	PLATE	2
0046	48533	LANCE NOZZLE	1
0048	A11882	SCREW	1
0049	A11823	WASHER	2



POS.	CODE	DESCRIPTION	QTY
0001	A11825	BOILER BOTTOM	1
0002	A06593	BOTTOM	1
0003	A11826	RING	1
0004	A11827	SPLIT PIN	1
0005	A11828	DOUBLE COIL	1
0006	A11806	BOILER BODY	1
0008	A06588	GASKET	1
0009	A11829	NOSE PIECE	1
0010	A11830	BAFFLE	1
0011	A06671	BURNER NOZZLE	1
0012	A11831	ELECTR. HOLDER	1
0013	A06625	ELECTRODE	2
0014	A11832	PLATE	1
0015	A06664	FUEL PUMP	1
0016	A11833	HOSE FITTING 1/8 M	1
0017	A11834	CLAMP	2
0018	A11835	TUBE PVC	4,5cm
0019	A06579	FILTER	1
0020	A06637	CABLE	2
0021	A11836	CABLE	1
0022	A11837	BUTTERFLY VALVE	1
0023+0024	A06618	IMPELLER+BURNER MOTOR ASS.	1
0025	A11838	SHELL	1



POS.	CODE	DESCRIPTION	QTY
F	A06658	FUSE 5X20 2A	1
EC	A06628	PCB	1
IQ	A06632	SWITCH	1
TA	A06651	TRANSFORMER	1
CV1	A11839	CABLE H07 3X1.5 L=6.500	1
TH-S	A06648	KLIKSON ITP	2



POS.	CODE	DESCRIPTION	QTY
0001	A11840	SCREW	3
0002	A11841	HEAD	1
0003	A11842	CAP	1
0004	A11843	CAP	2
0005	F	O-RING	5
0006	A	VALVE UNIT	6
0021	E	PACKING	6
0022	F	O-RING	3
0023	A11844	PACKING RETAIN	3
0024	A11845	INTERMED. RING	3
0025	C	OIL SEAL	3
0026	A11846	SCREW	4
0027	A11847	PISTON FLANGE HRM	1
0028	F	O-RING	1
0029	A11848	CAP	1
0030	A11849	CAP 1/8 M	1
0033	F	O-RING	1
0034	A11850	COUPLING	1
0035	A11851	SPRING	1
0036	F	O-RING	2
0037	A11852	INJECTOR	1
0038	A11853	CONNECTOR	1

POS.	CODE	DESCRIPTION	QTY
0041	A11854	SPRING	3
0042	B	PISTON	3
0043	A11855	RING	3
0044	A06570	BEARING	1
0045	A11856	WOBLE PLATE	1
0046	A06569	BALL BEARING 6304	1
0047	A06590	PACKING OIL	1
0048	A11857	SCREW	4
0049	A11858	PUMP CRANKCASE	1
0051	F	O-RING	1
0052	A11859	CAP	1
0053	A11860	O-RING	1
0054	A11861	SCREW	2
0055	A11862	WASHER	2
0056	A06571	BALL BEARING 6203 2Z	1
0057	A11863	SHIELD	1
0058	A06584	OIL SEAL	1
0059	A11864	MOTOR FAN	1
0061	A11865	O-RING	1
0062	A06634	CAPACITOR 45 µF	1
0063	A11866	O-RING	1
0064	A11867	FAIR-LEAD	1

POS.	CODE	DESCRIPTION	QTY
0069	A11868	BOX COVER	1
0070	A11869	SCREW	3
0071	A11870	CONVEYOR AR HRM	1
0072	A11871	WASHER	1
0073	A11872	CONTROL BOX	1
0074	A11873	O-RING	1
0075	A11874	1PH MOTOR	1
0080	F	O-RING	1
0081	F	O-RING	1
0082	A11875	PISTON GUIDE	1
0083	A11876	PLUG "U"	1
0084	A06638	PRESSURE SWITCH	1
0089	A06609	KIT PISTON+SPRING	1
0090	A11877	COLUMN	4
0091	A06640	PRESSURE SWITCH	1
0092	A11878	PUMP HEAD ASS.	1
0093	A11879	CONNECTOR	1
C	A06598	SERVICE KIT	1
A	A06597	SERVICE KIT	1
B	A06613	SERVICE KIT	1
E	A06599	SERVICE KIT	1
F	A06614	O-RING KIT	1