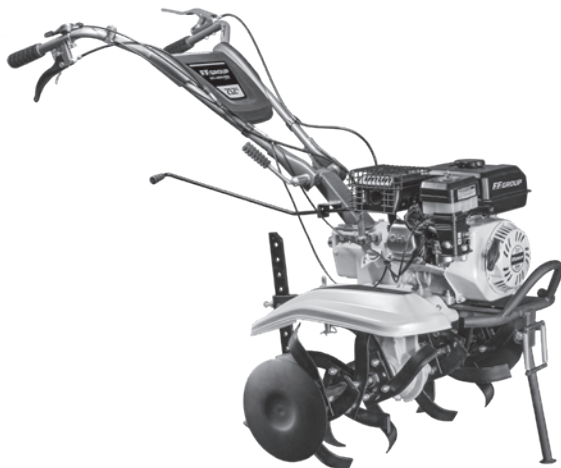


# **FF GROUP**<sup>®</sup>



**GTL 900 PRO**  
**GTL 1250 PRO**  
**GTL 1500 PRO**

**EN**

**ORIGINAL INSTRUCTIONS**

**FR**

**NOTICE ORIGINALE**

**IT**

**ISTRUZIONI ORIGINALI**

**EL**

**ΠΡΩΤΟΤΥΠΟ ΟΔΗΓΙΩΝ ΧΡΗΣΗΣ**

**SR**

**ORIGINALNO UPUTSTVO ZA RAD**

**HR**

**ORIGINALNE UPUTE ZA RAD**

**RO**

**INSTRUCȚIUNI DE FOLOSIRE ORIGINALE**

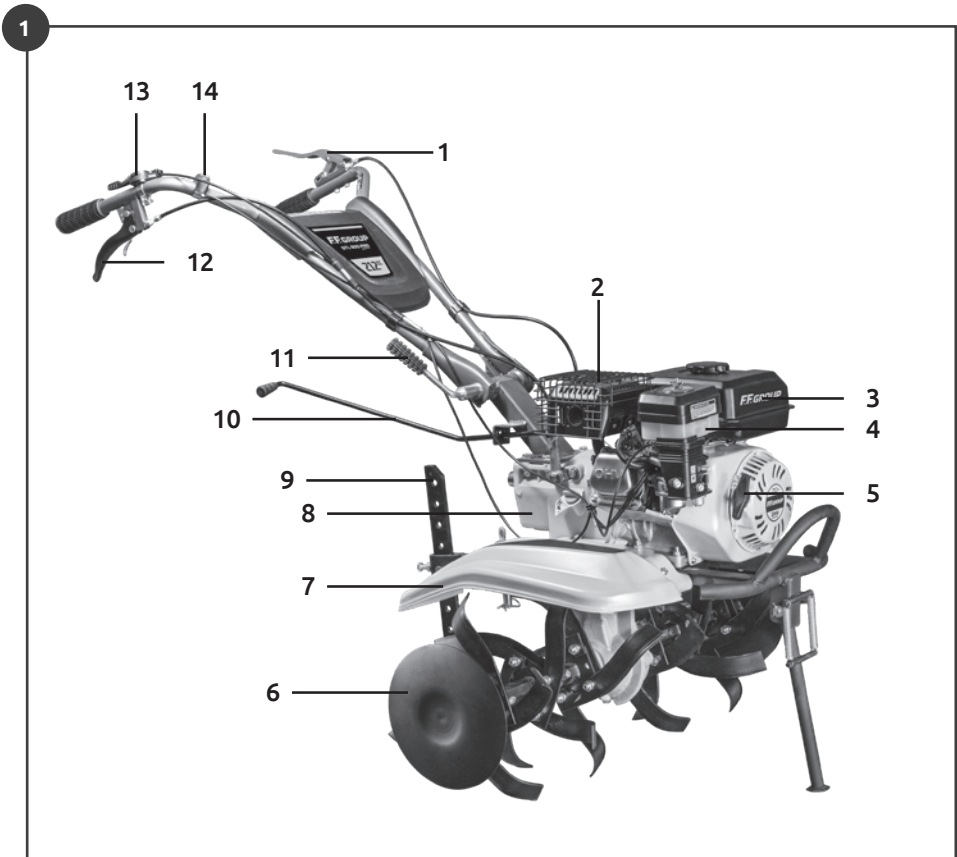
**HU**

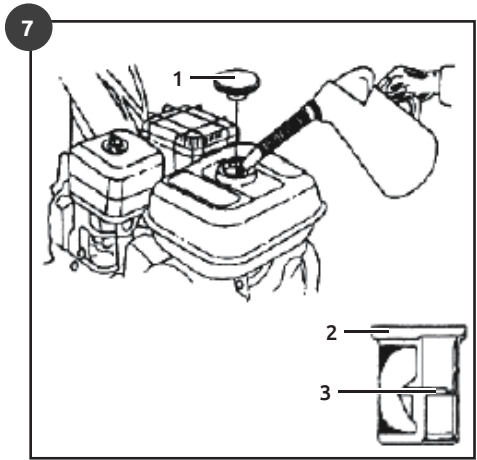
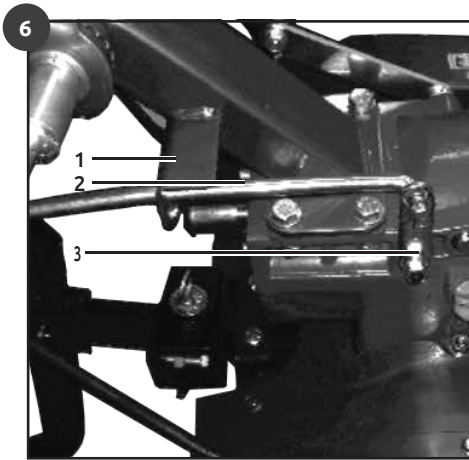
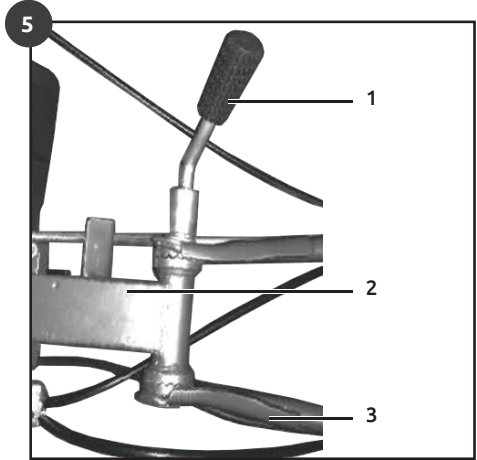
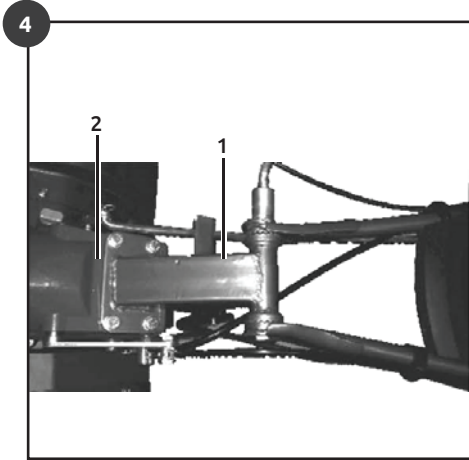
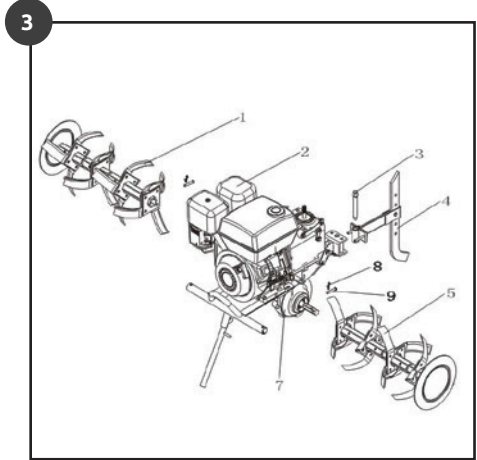
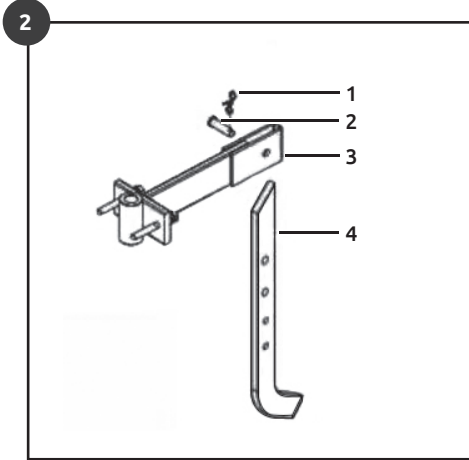
**EREDETI UTASÍTÁSOK**

**LT**

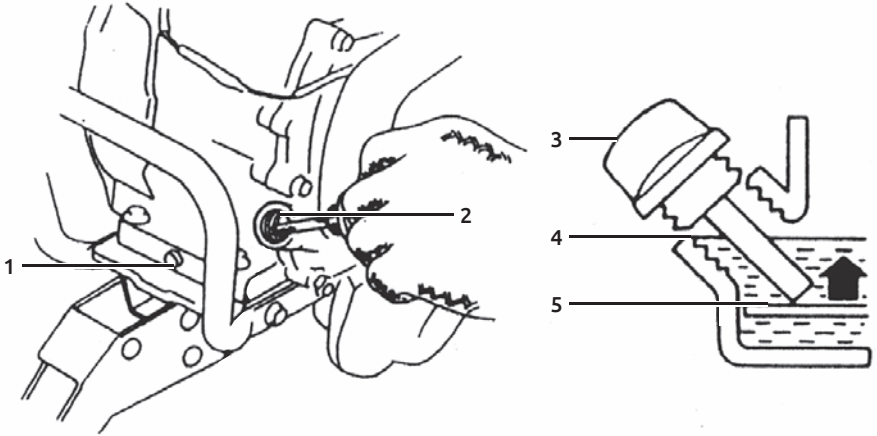
**ORIGINALIOS INSTRUKCIJOS**

<b>EXPLANATION OF SYMBOLS /</b> EXPLICATION DES SYMBOLES / SPIEGAZIONE DEI SIMBOLI / ΕΠΕΞΗΓΗΣΗ ΣΥΜΒΟΛΩΝ / OBJAŠNJENJE SIMBOLA / OBJAŠNJENJE SIMBOLA / EXPLICAREA SIMBOLURILOR / SZIMBÓLUMOK JELENTÉSE / SIMBOLIŲ PAAIŠKINIMAS		6
<b>EN</b>	PETROL TILLER	10
<b>FR</b>	MOTOCULTEUR À ESSENCE	16
<b>IT</b>	MOTOZAPPA A BENZINA	24
<b>EL</b>	ΣΚΑΠΤΙΚΟ ΒΕΝΖΙΝΗΣ	31
<b>SR</b>	MOTORNI KULTIVATOR	38
<b>HR</b>	MOTORNA FREZA ZA BENZIN	45
<b>RO</b>	MOTOCULTOR PE BENZINA	51
<b>HU</b>	BENZINES KARÁLÓGÉP	59
<b>LT</b>	BENZININIS KULTIVATORIUS	65
<b>TECHNICAL DATA /</b> DONNÉES TECHNIQUES / DATI TECNICI / ΤΕΧΝΙΚΑ ΧΑΡΑΚΤΗΡΙΣΤΙΚΑ / TEHNIČKI PODACI / TEHNIČKI PODACI / DATE TEHNICE / MŰSZAKI ADATOK / TECHNINIAI DUOMENYS		72
<b>CE</b>		81

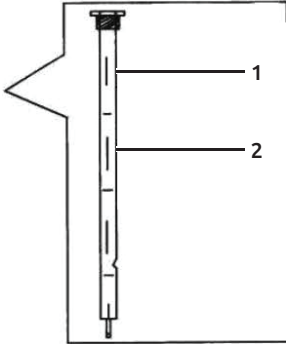




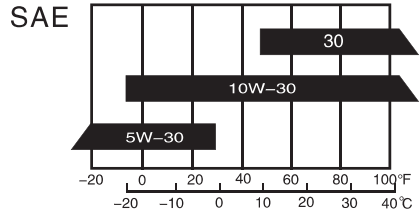
8



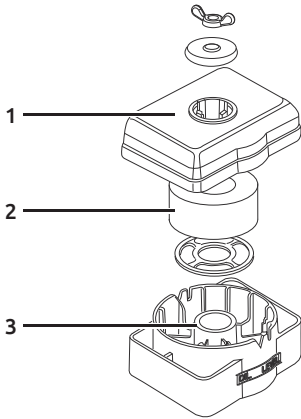
9



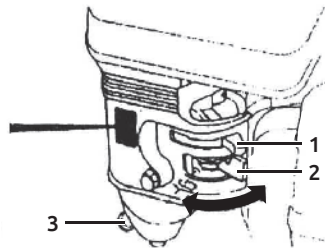
10



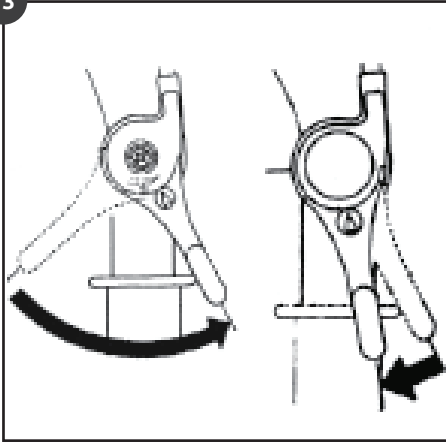
11



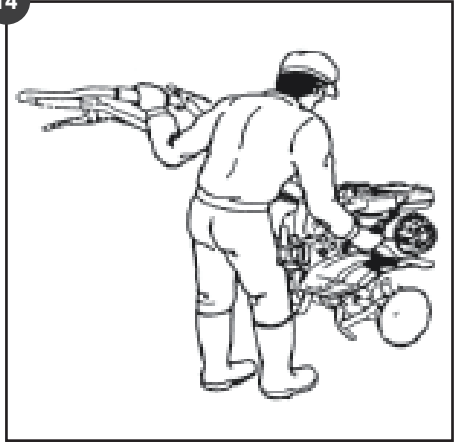
12



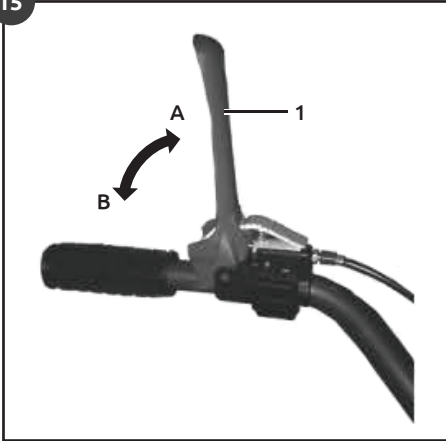
13



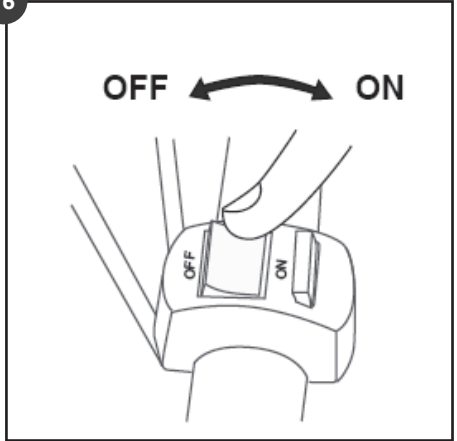
14



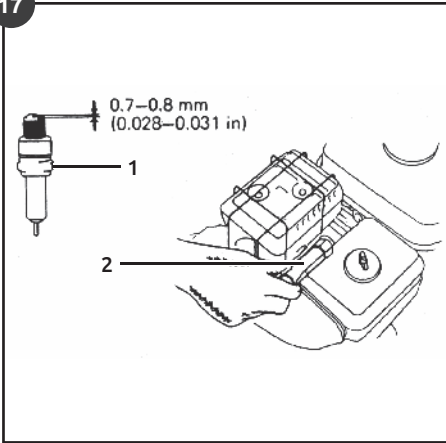
15



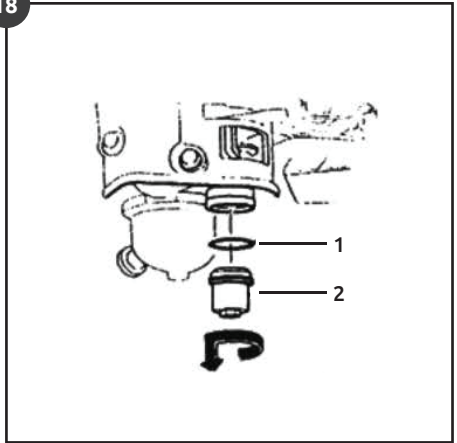
16











17









18



	ENGLISH	FRANÇAIS	ITALIANO	ΕΛΛΗΝΙΚΑ
	EXPLANATION OF SYMBOLS	EXPLICATION DES SYMBOLES	SPIEGAZIONE DEI SIMBOLI	ΕΠΕΞΗΓΗΣΗ ΣΥΜΒΟΛΩΝ
	Always read and understand the instructions before operating	Toujours lire et comprendre les instructions avant d'opérer	Leggere e comprendere sempre le istruzioni prima di operare	Διαβάστε και κατανοήστε τις οδηγίες χρήσης πάντα πριν από τη λειτουργία
	Always wear appropriate eye protection when operating	Portez toujours une protection oculaire appropriée lorsque vous utilisez	Indossare sempre un'adeguata protezione oculare quando si opera	Να χρησιμοποιείτε πάντα κατάλληλη προστασία ματιών κατά τη λειτουργία
	Always wear appropriate ear protection when operating	Portez toujours une protection de l'oreille appropriée lors de l'exploitation	Indossare sempre la protezione dell'orecchio quando si opera	Να χρησιμοποιείτε πάντα κατάλληλη προστασία αυτιών κατά τη λειτουργία
	Always wear appropriate feet protection when operating	Portez toujours une protection appropriée des pieds lors de l'exploitation	Indossare sempre la protezione appropriata dei piedi quando si opera	Να χρησιμοποιείτε πάντα κατάλληλη προστασία ποδιών κατά τη λειτουργία
	Important, danger, warning, or caution	Important, danger ou avertissement	Importante, pericolo o avviso	Σημαντικό, κίνδυνος ή προειδοποίηση
	Risk of fire	Risque de feu	Rischio di incendio	Κίνδυνος φωτιάς
	Risk of poisoning, due to toxic gases	Risque d'empoisonnement, dû aux gaz toxiques	Rischio di avvelenamento, a causa di gas tossici	Κίνδυνος δηλητηρίασης, λόγω τοξικών αερίων
	Risk of burn injury or fire, due to hot surface	Risque de brûlure	Rischio di ustioni	Κίνδυνος εγκαύματος ή φωτιάς, λόγω καυτής επιφάνειας

<b>SRPSKI</b>	<b>HRVATSKI</b>	<b>ROMÂNĂ</b>	<b>MAGYAR</b>	<b>LIETUVIŲ K.</b>
<b>OBJAŠNJENJE SIMBOLA</b>	<b>OBJAŠNJENJE SIMBOLA</b>	<b>EXPLICAREA SIMBOLURILOR</b>	<b>SZIMBÓLUMOK JELENTÉSE</b>	<b>SIMBOLIŲ PAAIŠKINIĖMAS</b>
Uvek pročitajte i razumejte uputstva pre rada	Uvijek pročitajte i shvatite upute prijje operacije	Citiți și înțelegeți întotdeauna instrucțiunile înainte de a utiliza	Használat előtt mindig olvassa el és értse meg az utasításokat	Prieš pradėdami dirbti, visada perskaitykite ir supraskite instrukcijas
Uvek nosite odgovarajuću zaštitu za oči kada radila	Uvijek nosite odgovarajuću zaštitu očiju kada djelujete	Purtați întotdeauna o protecție adecvată a ochilor atunci când acționați	Munka közben mindig viseljen megfelelő szemvédőt	Dirbdami visada dėvėkite tinkamas akių apsaugos priemonės
Uvek nosite odgovarajuću zaštitu za uši kada radila	Uvijek nosite odgovarajuću zaštitu za uši prilikom rada	Purtați întotdeauna o protecție adecvată a urechii în timpul funcționării	Működés közben mindig viseljen megfelelő fülvédőt	Dirbdami visada dėvėkite tinkamas ausų apsaugos priemonės
Uvek nosite odgovarajuću zaštitu stopala kada radila	Uvijek nosite odgovarajuću zaštitu stopala prilikom rada	Purtați întotdeauna protecție adecvată pentru picioare atunci când	Munka közben mindig viseljen megfelelő lábvédőt	Dirbdami visada dėvėkite tinkamą pėdų apsaugą
Važno, opasnost ili upozorenje	Važno, opasnost ili upozorenje	Important, pericol sau avertisment	Fontos, veszély, figyelmeztetés vagy óvatosság	Svarbu, pavojus, įspėjimas ar atsargumas
Rizik od požara	Opasnost od požara	Risc de incendiu	Tűzveszély	Gaisro pavojus
Rizik od trovanja, zbog otrovnih gasova	Opasnost od trovanja, zbog otrovnih plinova	Risc de otrăvire, din cauza gazelor toxice	Mérgezésveszély a mérgező gázok miatt	Apsinuodijimo rizika dėl toksiškų dujų
Rizik od opekotina	Rizik od opekлина	Risc de arsură	Égési sérülés vagy tűz veszélye a forró felület miatt	Nudegimo sužalojimo ar gaisro rizika dėl karšto paviršiaus

	ENGLISH	FRANÇAIS	ITALIANO	ΕΛΛΗΝΙΚΑ
	EXPLANATION OF SYMBOLS	EXPLICATION DES SYMBOLES	SPIEGAZIONE DEI SIMBOLI	ΕΠΕΞΗΓΗΣΗ ΣΥΜΒΟΛΩΝ
	Risk of injury, due to thrown or ricochet objects	Risque de blessure en cas de projection ou de ricochet d'objets	Rischio di lesioni, a causa di oggetti lanciati o rimbalzati	Κίνδυνος τραυματισμού, λόγω αντικειμένων που εκτοξεύονται ή εξοστρακίζονται
	Risk of damage. Keep people, animals or nearby property at least 15m away	Risque de dommages. Gardez les personnes, les animaux ou les propriétés à proximité à au moins 15 mètres	Rischio di danni. Tenere persone, animali o proprietà vicine ad almeno 15m di distanza	Κίνδυνος ζημιάς. Κρατήστε ανθρώπους, ζώα ή αντικείμενα αξίας τουλάχιστον 15m μακριά
	Risk of hand injury, due to rotating parts	Risque de blessures aux mains en raison des pièces en rotation	Rischio di lesioni alle mani, a causa di parti rotanti	Κίνδυνος τραυματισμού άνω άκρων, λόγω περιστρεφόμενων μερών
	Risk of feet injury, due to rotating parts	Risque de blessure aux pieds en raison des pièces en rotation	Rischio di lesioni ai piedi, a causa di parti rotanti	Κίνδυνος τραυματισμού κάτω άκρων, λόγω περιστρεφόμενων μερών
	Must be recycled and should always be disposed in accordance with applicable directives	Doit être recyclé et doit toujours être éliminé conformément aux directives applicables	Deve essere riciclato e deve essere sempre smaltito secondo le direttive applicabili	Πρέπει να ανακυκλώνεται και πρέπει πάντα να απορρίπτεται σύμφωνα με τις ισχύουσες οδηγίες
	Complies with applicable safety directives and relative standards	Conforme aux directives de sécurité applicables et aux normes relatives	Conforme alle direttive di sicurezza applicabili e alle relative norme	Συμμορφώνεται με τις ισχύουσες οδηγίες ασφαλείας και τα σχετικά πρότυπα



SRPSKI	HRVATSKI	ROMÂNĂ	MAGYAR	LIETUVIŲ K.
OBJAŠNJENJE SIMBOLA	OBJAŠNJENJE SIMBOLA	EXPLICAREA SIMBOLURILOR	SZIMBÓLUMOK JELENTÉSE	SIMBOLIŲ PAAIŠKINIŲMAS
Rizik od povreda, zbog bačenih ili rikošet predmeta	Opasnost od ozljeda, zbog bačenih ili rikošetnih predmeta	Risc de rănire, din cauza obiectelor aruncate sau ricoșate	Sérülésveszély kidobott vagy kidobott tárgyak miatt	Rizika susižeisti dėl išmestų ar rikošeto objektų
Rizik od oštećenja. Držite ljude, životinje ili obližnju imovinu najmanje 15 metara dalje	Rizik od oštećenja. Držite ljude, životinje ili obližnje imanje na udaljenosti od najmanje 15m	Risc de deteriorare. Țineți oamenii, animalele sau bunurile din apropiere la cel puțin 15m distanță	Károsodás veszélye. Tartsa az embereket, állatokat vagy a közeli ingatlant legalább 15m távolságra	Žalos rizika. Laikykite žmones, gyvūnus ar netoliese esantį turtą bent už 15m atstumą
Rizik od povrede ruke, zbog rotirajućih delova	Opasnost od ozljeda ruke zbog rotirajućih dijelova	Risc de rănire a mâinilor, din cauza pieselor rotative	Kéz sérülés veszélye a forgó alkatrészek miatt	Rankų sužalojimo rizika dėl besisukančių dalių
Rizik od povrede stopala, zbog rotirajućih delova	Opasnost od ozljeda stopala zbog rotirajućih dijelova	Risc de rănire a picioarelor, din cauza pieselor rotative	Lábsérülés veszélye a forgó alkatrészek miatt	Kojų sužalojimo rizika dėl besisukančių dalių
Mora se reciklirati i uvek ga treba raspolagati u skladu sa važećim direktivama	Mora se reciklirati i uvijek zbrinuti u skladu s važećim direktivama	Trebuie reciclat și trebuie întotdeauna eliminat în conformitate cu directivele aplicabile	Újrahasznosítani kell, és mindig a vonatkozó irányelveknek megfelelően kell ártalmatlanítani	Turi būti perdirbtas ir visada turi būti šalinamas pagal taikomas direktyvas
U skladu sa važećim bezbednosnim direktivama i relativnim standardima	U skladu s primjenjivim sigurnosnim direktivama i relativnim standardima	Respectă directivele de siguranță aplicabile și standardele aferente	Megfelel a vonatkozó biztonsági irányelveknek és a vonatkozó szabványoknak	Atitinka taikomas saugos direktyvas ir santykinius standartus

## ENGLISH

### GENERAL SAFETY WARNINGS

Read and understand this owner's manual before operating this product. You can help prevent accidents by being familiar with your product's controls and by observing safe operating procedures and safety signs. Always use your common sense to avoid all situations considered beyond your capability. Do not use while you are tired or under the influence of drugs, alcohol or any other medication. Keep bystanders and animals that could be hurt, as well as items that could be damaged away, while operating. Never allow children or people unfamiliar with these instructions to use the product. Local laws may restrict the minimum age of the operator. Bear in mind that the operator or user is responsible for accidents or unexpected events occurring to other people, animals or their property. Do not expose the product to excessive moisture, dust, dirt or corrosive vapors. Do not mount equipment or accessories on the machine not foreseen or approved by the manufacturer. Never attempt to modify the product. Non-authorized modifications or accessories can result in serious personal injury or the death of the operator or others. Consult your authorized dealer for disassembly and service, not covered in this manual. If something breaks or an accident occurs while working, turn off the machine immediately and move it away to prevent further damage. In case foreign body has entered the machine, stop it immediately, inspect it for any damage and make repairs before starting it again.

### PROTECTIVE EQUIPMENT

Make sure that you use appropriate and certified protective equipment when operating the unit. Always wear clothing which does not hamper movements, protective gloves, goggles, half-mask respirator, ear protection and anti-shear safety boots with non-slip soles. Never wear scarves, necklaces or any hanging or flapping accessory and clothing that could catch in the machine. Tie up your hair if it is long.

### POISON HAZARDS

Operate only outdoors and in well ventilated areas. When running, the engine exhausts poisonous carbon monoxide, an odorless and colorless gas. Inhaling carbon monoxide will cause nausea, fainting or death. Do not operate the machine in a confined space where dangerous carbon monoxide fumes can develop, or near open windows. Fuel and oil are extremely toxic. Do not inhale fuel evaporative gases and always wear appropriate protective equipment when handling them. Always store fuel and oil in approved containers and dispose responsibly.

### FIRE AND BURN HAZARDS

Some parts of the machine get hot enough to ignite flammable materials. Do not use in areas with high risk of fire. Do not direct the silencer and therefore the exhaust fumes towards flammable materials.

Some parts of the machine get hot enough to cause burn damage. Pay attention not to touch them in order to avoid getting burned. Let the machine cool before storing it.

Gasoline and oil are flammable. Follow the instructions provided by each manufacturer before use. Potential sources of fire or spark should be kept away at all times. Do not smoke near the machine or any fuel and oil. Refuel only outdoors, in a well-ventilated area, with the engine shut off. Slowly open the fuel tank to allow the pressure inside to decrease gradually. Do not overfill the fuel tank. Make sure that there is some distance between any spare gasoline tank and the unit, to prevent unnecessary danger. Make sure that any and all spilled fuel and oil has been wiped off before starting the engine.

If a fire occurs, use an appropriate fire extinguisher especially designed for oil and gasoline fire.

### CATEGORY SAFETY WARNINGS

#### SAFE OPERATION

All of the operational levers of the machine must move from one position to the other easily and must not need forcing. The clutch and reverse levers (where applicable) must return automatically and rapidly back to the neutral position. The electric cables and in particular the spark plug cable must be in perfect condition to avoid the generation of any sparks and the spark plug cap must be correctly fitted on the spark plug. The handgrips and protection devices must be clean and dry as well as securely fastened to the machine.

Always check for any objects that may block the air intake screen before beginning to work. A clogged air intake reduces the machine's performance and increases the engine's working temperature, which can result in engine failure.

Make sure that you stop the engine:

- ▶ When mounting or removing accessories.
- ▶ When moving between work areas or above paved areas and ground obstacles.
- ▶ Whenever you leave the machine unattended.
- ▶ During refueling.
- ▶ During cleaning or maintenance.
- ▶ During transportation.
- ▶ Before storage.

#### ROTATING PARTS HAZARDS

Rotating parts can cause serious injury. Avoid contacting the rotating parts when they are still in rotation. Never put your hands or feet underneath the chassis of the tiller or near the tilling equipment while the engine is running and always walk behind the tiller. Never operate the engine without the belt cover (where applicable).

#### NOISE AND VIBRATION HAZARDS

The noise and vibration levels shown in these instructions are the maximum levels for use of the machine. Insufficient maintenance has a significant impact on vibration and noise emissions. Consequently, it is necessary to take preventive steps to eliminate possible damage due to high

levels of noise and stress from vibration. Maintain the machine well, wear ear protection devices, anti-vibration gloves and take breaks while working. Operating the machine with a stable speed and gripping the handles firmly with suitable force can decrease the vibration level. During a working day, you shall take frequent and adequate breaks to prevent damage from vibration and damage to the ears. Prolonged exposure to vibrations can cause injuries and neurovascular disorders, especially to people suffering from circulation disorders. The symptoms can regard the hands, wrists and fingers and are shown through loss of sensitivity, torpor, itching, pain and discoloring or structural changes to the skin. These effects can be worsened by low ambient temperatures or by gripping the handgrips excessively. If such symptoms occur, the length of time the machine is used must be reduced and a doctor must be consulted.

### WORKING AREA HAZARDS

Thoroughly inspect the whole work area and use a rake or yard brush to manually loosen debris and remove anything that could be projected by the machine, be a hazardous source or cause damage to the machine if run over (stones, branches, iron wire, bones etc.). Check that there are no bystanders, animal or items that could be damaged within at least 15 meters of the machine's range of action.

Work only in daylight, or with suitable artificial light, in good visibility conditions. Try not to cause any noise disturbance, by only using this machine at reasonable times of the day.

Take on a firm and well-balanced position. Where possible, avoid working on wet, slippery ground or in any case on uneven or steep ground that does not guarantee stability for the operator.

### REMAINING HAZARDS

The machine was built using modern technology and in accordance with recognized safety rules. Even when all safety measures are in place, some remaining hazards, which are not yet evident, may be present. The operator should use common sense and take necessary precautions to avoid risk due to remaining hazards.

## PRODUCT SPECIFICATIONS

### INTENDED USE

This machine is designed and manufactured for cultivating ground for planting by tilling e.g. in greenhouses, orchards, gardens. Moreover, after being equipped with relative devices and tools, it may be used for other applications such as ditching, ridging, potato lifting, etc. Any other use differing from the above-mentioned ones could be hazardous, harm people and damage things and the machine itself.

### IMPROPER USE

The machine must not be used for tilling hazardous materials, e.g. accumulation of inflammable or explosive products, hot embers or combusti-

on material without a flame, lit cigarettes, glass, sharp objects, metal objects, stones and any other object that could be dangerous to the machine itself as well as the operator, bystanders, animals or property.

Other examples of improper use may include, but are not limited, to operation of the machine:

- ▶ Without the original accessories supplied by the manufacturer.
- ▶ With original accessories but in a way not in accordance to the instructions.
- ▶ Without original spare parts.
- ▶ With unauthorized modifications.
- ▶ By more than one person.

## TECHNICAL DATA PAGE 72

### IDENTIFICATION (FIG. 1)

1. Clutch lever
2. Muffler
3. Fuel tank
4. Air filter
5. Starter grip
6. Tilling tines assembly
7. Mud fender
8. Gearbox
9. Tilling depth adjustment guide
10. Gear shift lever
11. Handle height adjustment lever
12. Reverse lever
13. Throttle lever
14. ON / OFF switch

## OPERATION

### PREPARING THE UNIT

Unpacking and completing the assembly should be done on a flat and stable surface, with enough space for moving the machine and its packaging, always making use of suitable equipment. The assembly should be carried out by trained personnel at your nearest dealer shop, where necessary.

### Tilling depth adjustment guide

Pull out the safety (Fig. 2.1) and pin (Fig. 2.2) from the connecting bar (Fig. 2.3). Place the tilling depth adjusting guide (Fig. 2.4) in the connecting bar and assemble together with the pin and safety. Place the assembly (Fig. 3.4) in position on the main body of the tiller (Fig. 3.2) and secure with the safety pin (Fig. 3.3).

### Tilling tool

The tilling tines assembly (Fig. 1.6) consists of three sets of four blades (total twelve blades) and a side disc for each side. Each side tine will be usually pre-assembled at the factory and ready to fit the machine. In case assemble of the tines is required, we suggest that it is performed only by trained personnel at your closest dealer shop. To assemble the right side tine (Fig. 3.1) on the tiller, carefully lean the machine to the left, place the tine on the shaft of the output axle (Fig. 3.7) and lock it in position with the provided pin (Fig. 3.9) and safety (Fig. 3.8). To assemble the left side tine (Fig. 3.5) on the tiller, carefully lean the machine

to the right, place the tine on the shaft of the output axle and lock it in position with the provided pin and safety.

### Mud fenders

Make sure that the tilling equipment protection mud fenders (Fig. 1.7) are safely assembled in position. If the fenders are not pre-assembled by the manufacturer use the provided nuts, bolts and adapter to assemble the left and right fenders.

### Operation handle

Assemble the connection tube (Fig. 4.1) in position on the gearbox (Fig. 4.2) with the four provided bolts. Assemble the handle (Fig. 5.3) on the connection tube (Fig. 5.2) and tighten the handle height adjustment lever (Fig. 5.1) to lock the handle in position.

### Operation handle height adjustment

You can adjust the height of the operation handle by loosening the handle height adjustment lever (Fig. 1.11), setting the angle of the operation handle as desired (waist height is recommended) and tightening the lever again in position.

### Gear shift lever

Place the gear shift lever (Fig. 6.2) in position through the support (Fig. 6.1) on the handle connection tube, into the shift gear arm (Fig. 6.3) and secure with the washer and safety.

### Clutch, reverse and throttle cables

The installation of any clutch, reverse or throttle related cables, not already pre-assembled by the manufacturer, should be performed only by trained personnel at your nearest dealer shop.

## FUELING AND LUBRICATION

### WARNING:

The machine is delivered without oil and fuel.

This product is equipped with a 4-stroke engine meaning gasoline should be used in fuel tank (Fig. 1.3) and the engine should be filled with oil. Moreover, the tiller is equipped with a gearbox, which should also be lubricated by oil.

### NOTE:

Use a funnel in order to avoid spilling fuel or oil. Fuel specifications: Unleaded gasoline or 90 octane or higher.

### WARNING:

Always use clean container for storing fuel and do not use fuel stored for more than a month.

Oil specifications: For general use (5°C - 38°C) the recommended oil is SAE 10W40 (Fig. 10).

To fill the machine with fuel:

1. Remove the fuel tank cap (Fig. 7.1).
2. Add fuel to the upper level of the fuel tank. Leave a minimum 5 mm of space between the top of the fuel and the inside edge of the tank to allow for expansion. Half the length (Fig. 7.3) of the fuel tank cap filter (Fig. 7.2) can also work as the upper fuel level sign, where available.
3. Reposition the fuel tank cap and tighten appropriately.

riately.

To fill the engine with oil:

1. Remove the oil filler cap (Fig. 8.3) from the engine oil filler neck (Fig. 8.2). The bottom part of it is the oil level indicator.
2. Gradually add enough oil to bring the oil level between the upper (Fig. 8.4) and lower (Fig. 8.5) limit on the oil level indicator. Measuring should be done with the dipstick positioned, but not screwed, in the filler neck.
3. Reposition the oil filler cap and tighten appropriately.

To fill the gearbox with oil:

1. Remove the oil filler cap from the gearbox (Fig. 1.8) oil filler neck. The bottom part of it is the oil level indicator.
2. Gradually add enough oil to bring the oil level between the upper (Fig. 9.1) and lower (Fig. 9.2) limit on the oil level indicator.
3. Reposition the oil filler cap and tighten appropriately.

To fill the air filter with oil (applicable only to oil bath type air filter):

1. Remove the air filter cover (Fig. 11.1) and air filter element (Fig. 11.2) from the air filter (Fig. 1.4).
2. Gradually add enough oil to bring the oil level to the upper limit on the oil level indicator.
3. Reposition the air filter element.
4. Reposition the air filter cover and tighten appropriately.

### WARNING:

Wipe off any spilled fuel and oil before starting the engine.

### STARTING THE UNIT

Before starting the machine:

1. Make sure both the machine and you are on stable ground.
2. Check that all the fasteners are secured in position.
3. Prepare accessories and make sure they are correctly mounted.
4. Check that the air filter is clean and that the air intake and exhaust are not clogged by any foreign materials.
5. Fill with the required quantity of oil and fuel.
6. Make sure that the clutch lever (Fig. 1.1) is disengaged and that the gear shift lever (Fig. 1.10) is in neutral position, to prevent uncontrolled movement of the tiller.

To start the machine:

1. Move the fuel valve lever (Fig. 12.2) to the "ON" position.
2. Move the choke lever (Fig. 12.1) to the "ON" position.

### NOTE:

This step applies only to cold starting of the engine. When the engine is already warm or the environment temperature is high, the choke lever should be at "OFF" position at all times.

3. Move the ON / OFF switch (Fig. 1.14) to the "ON" position (Fig. 16).
4. Move the throttle lever (Fig. 1.13) to the "L" (low speed) position (Fig. 13).
5. Grip firmly the handle of the machine with your

left hand and the starter grip of the engine with your right hand (Fig. 14). Pull the starter grip until you feel resistance to engage the engine and then pull firmly to start the engine.

**WARNING:**

To avoid breaking the starter rope, do not pull the whole length of it or let it slide along the edge of the cable guide hole. Release the starter gradually, to avoid letting it fly back uncontrollably.

- As the engine warms up, gradually move the choke lever to the "OFF" position, if the engine was cold started.

**NOTE:**

For maximum performance and reliability, allow the engine to warm up before operating, running it for two to three minutes at idle speed

**OPERATING THE UNIT**

**Clutch lever**

Pull the clutch lever (Fig. 15.1) towards the handle (Fig. 15.B) and keep it in place to propel the tiller according to the chosen speed. Gradually releasing the clutch lever to neutral position (Fig. 15.A) will stop the movement of the tiller.

**WARNING:**

The clutch lever must be released before operating the gear shift lever.

**Reverse lever**

Move the gear shift lever to the "R" (reverse) position. With your right hand pull the reverse lever towards the handle to engage the reverse gear and keep it in place. Then, with your left hand pull the clutch lever towards the handle and keep it in place to propel the tiller backwards. Gradually releasing the clutch lever to neutral position will stop the movement of the tiller.

**WARNING:**

The reverse lever must be released before operating the gear shift lever. The reverse lever must never be operated while the gear shift lever is in any of the forward gear positions.

**Throttle lever**

The desired engine speed can be set by moving the engine speed lever between the "H" and "L", for high and low speed respectively (Fig. 13).

**WARNING:**

The engine speed must be reduced to minimum before operating the clutch.

**Gear shift lever**

Move the gear shift lever to the desired position to choose the way your tiller will be propelled:

- ▶ "R": reverse gear
- ▶ "0": neutral gear
- ▶ "1": forward gear number one
- ▶ "2": forward gear number two

**NOTE:**

"R" and "0" gears share the same position of gear shift lever.

**NOTE:**

In case the gear shift lever will not engage the desired gear, stop the engine. Then pull the clutch le-

ver and manually move the tiller slightly back and forward in order to reposition the gears inside the gearbox.

**STOPPING THE UNIT**

To stop the machine:

- Lower the engine speed by moving the throttle lever to the "L" position.
- Release the clutch lever to stop the tiller from moving.
- Release the reverse lever, if the tiller was in reverse operation.
- Move the gear shift lever to neutral position.
- Move the ON / OFF switch to the "OFF" position.
- Move the fuel valve lever to the "OFF" position.

**MAINTENANCE AND CLEANING**

**WARNING:**

Never do maintenance or cleaning with the unit running. Always work on a cool unit. Before cleaning or doing maintenance work, disconnect the spark plug cap and read the relevant instructions. Always wear proper clothing and protective gloves whenever your hands are at risk.

Any adjustments or maintenance operations not described in this manual must be carried out by your Dealer or a specialized Service Centre with the necessary knowledge and equipment to ensure that the work is done correctly maintaining the machine's original safety level. Any operations performed in unauthorized centers or by unqualified persons will totally invalidate the Warranty and all obligations and responsibilities of the Manufacturer.

Keep all nuts and screws tight to be sure the machine is always in safe working condition. Routine maintenance is essential for safety and for maintaining a high-performance level.

**WARNING:**

Never use the machine with worn or damaged parts. Faulty or worn-out parts must always be replaced and not repaired. Only use original spare parts.

**MAINTENANCE SCHEDULE**

Items		Frequency				
		Before each use	After 1st month or 5hrs of operation	Every 3 months or 25hrs of operation	Every 6 months or 50hrs of operation	Every 12 months or 100hrs of operation
Complete unit	Visual Inspection	√				
	Secure fasteners	√				
Control handles	Check	√*				
Tilling tines and knives	Check	√*				

Items		Frequency				
		Before each use	After 1st month or 5hrs of operation	Every 3 months or 25hrs of operation	Every 6 months or 50hrs of operation	Every 12 months or 100hrs of operation
Engine oil	Check - Refill	√				
	Replace		√		√	
Gearbox oil	Check - Refill	√				
	Replace					√**
Linkages	Lubricate			√		
Air filter	Check - Clean	√*	√*	√*		
	Replace					√
Spark plug	Check - Adjust				√*	
	Replace					√
Fuel filter	Clean			√		
Fuel tube	Check					√*
Carburator sediment cup	Clean				√	
Valve clearance	Check - Adjust					√**

\*These items should be replaced if needed.

\*\*These items should be maintained and repaired only by authorised dealer, that have the appropriate tools and the required mechanical proficiency.

## TILLING TOOL

Periodically check tilling tines for wear or damage. Damaged parts must be replaced before operating the tiller again. Tilling knives wear will negatively affect tilling capability of the machine and they should be replaced if required.

## CLUTCH, REVERSE AND THROTTLE LEVERS PLAY

Small adjustments on the already pre-assembled clutch, reverse and throttle cables can be done by using the nut and rod screw on each cable at the side of the lever. If the travel distance is not correct, loose the lock nut and adjust by play by turning the adjustment bolt as required. When finished, tighten the lock nut and check again for proper clutch lever operation.

After any related adjustment, make sure that the clutch, reverse or throttle levers move from one position to another without the need for excessive force and that the clutch, reverse or throttle rods on the gearbox or engine respectively can be operated to their full range.

### NOTE:

It is recommended that such adjustments are only performed by trained personnel at your nearest dealer shop, to ensure the original safety standards of the machine.

## LUBRICATION

### WARNING:

Checking the level and changing the oil should be done on solid and level ground. The engine has to be stopped at all times. If the engine had been running, it will be hot and the procedure should be done with care and necessary precautions in order to avoid burn danger.

### NOTE:

Drain the used oil while the engine is warm. Warm oil drains quickly and completely.

### Engine oil

To check the oil level:

1. Remove the oil filler cap from the engine oil filler neck.
2. Wipe the oil level indicator clean.
3. Insert the oil filler cap into the oil filler neck, without screwing it.
4. Remove the filler cap and check the oil level shown on the oil level indicator. If required, add enough oil to bring the oil level between the upper and lower limit on the oil level indicator.
5. Reposition the oil filler cap and tighten appropriately.

To change the oil:

1. Remove the oil filler cap from the engine oil filler neck.
2. Place a suitable container under the oil drain plug (Fig. 8.1) to catch the used oil.
3. Remove the oil drain plug and allow the oil to drain completely.
4. Reposition the oil drain plug and tighten appropriately.
5. Gradually add enough oil to bring the oil level between the upper and lower limit on the oil level indicator.
6. Reposition the oil filler cap and tighten appropriately.

### NOTE:

If the engine frequently works under extremely dusty or other severe circumstances, change the engine oil every 25 hours.

### WARNING:

Running the engine with low oil level will cause engine damage.

### Gearbox oil

To check the oil level:

1. Remove the oil filler cap from the gearbox oil filler neck.
2. Check the oil level. If required, fill with enough oil to bring the oil level between the upper and lower limit on the oil level indicator.
3. Place the oil filler cap in position and tighten appropriately.

To change the oil:

Gearbox oil change operation should be done by your Dealer or a specialized Service Centre with the necessary knowledge and equipment.

### WARNING:

Running the tiller with low gearbox oil level will cause gearbox damage.

### Linkages lubrication

Lubricate the linkages every ten hours of opera-

tion as well as before storage of long periods of time with engine oil or a clean cloth damp with oil.

## AIR FILTER

### WARNING:

Operating the engine without an air cleaner, or with a damaged air cleaner, will allow dirt to enter the engine, causing rapid engine wear.

To check, clean or change the air filter (Fig. 11):

1. Remove the air filter cover.
2. Make sure that the air filter element is free from dirt and in a good condition. If it is dirty, remove and clean it.
  - ▶ To clean a foam air filter element wash it with home detergent and hot water and let it dry. Then soak it in clean saturated engine oil and gently squeeze out excess oil. If required, replace it with a new one.
  - ▶ To clean a paper air filter element, clean light dirt by gently taping it a few times on a hard surface and replace if heavy dirt is present.
3. Clean the inside of the air filter case and cover from dirt with a soft cloth. If the engine is equipped with an oil bath type air filter, replace the oil with new engine oil.
4. Reinstall the air filter element and follow the reverse procedure to put back in position the air filter cover.

### WARNING:

Never clean the air filter with flammable or low flash-point detergents to avoid the risk of a fire or explosion.

### NOTE:

If the engine frequently works under dusty or other severe circumstances, clean the air filter every 10 hours and add change its oil with new. If necessary, change the air filter element every 25 hours.

## SPARK PLUG

To maintain the spark plug (Fig. 17.1):

1. Remove the spark plug cap to access the spark plug.
2. Use an appropriate spark plug tool (Fig. 17.2) to carefully remove the spark plug.
3. Inspect the condition of the spark plug and its electrode. It must be clean and not worn. Check that the spark plug gap is between 0.7 and 0.8mm (Fig. 17). Replace the spark plug with a new one, if needed.
4. Carefully thread the spark plug into the engine by hand.
5. Once threaded, use the appropriate spark plug tool to tighten the spark plug, paying attention not to use excessive force damaging the threads.
6. Re-attach the spark plug cap.

### WARNING:

Never allow dirt or debris to enter the cylinder bore. Before removing the spark plug, thoroughly clean the spark plug and cylinder head area.

## FUEL SEDIMENT CUP

### WARNING:

Maintain the fuel carburetor only outdoors and in well ventilated areas.

To maintain the fuel sediment cup:

1. Turn the fuel valve to the "OFF" position.
2. Remove the carburetor fuel sediment cup (Fig. 18.2) with its rubber seal ring (Fig. 18.1).
3. Wash the removed parts in solvent, dry them thoroughly.

### WARNING:

Never clean the fuel sediment cup with flammable or low flash-point detergents to avoid the risk of a fire or explosion.

4. Replace the rubber seal ring with a new one if needed.
5. Reinstall the rubber seal ring and sediment cup and secure in position.
6. Turn the fuel valve to "ON" position and check for any fuel leaks.

## FUEL FILTER

The fuel tank may be fitted with a filter, depending on tiller model, situated at the fuel tank cap. The fuel filter can be picked out and should be checked periodically. If the filter is dirty, clean it and replace it with a new one when required. In case the inside of the fuel tank is dirty, it can be cleaned by rinsing the fuel tank with clean petrol.

## CLEANING

Use a small soft brush to clean the outside of the unit. Do not use strong detergents. Household cleaners that contain aromatic oils such as pine and lemon and solvents such as kerosene can damage plastic housing or handle. Wipe off any moisture with a soft cloth. The tines and fenders can be cleaned with water using a garden hose.

## STORAGE

### WARNING:

Never store the unit with fuel in the tank and always allow the unit to cool before storing. Store the unit only in dry and well ventilated areas.

In case the unit will be stored for an extended time, use the following storage procedure:

1. Drain all fuel from the fuel tank.
2. Start the engine and allow it to run until it stalls. This ensures that all the fuel has been drained from the carburetor.
3. Replace the engine oil with new.
4. Replace the gearbox oil with new.
5. Replace the air filter oil with new, if the air filter is oil bath type.
6. Remove the spark plug and put 30 ml of high quality motor oil into the cylinder. Pull the starter rope slowly to distribute the oil. Reinstall the spark plug.
7. Thoroughly clean the unit and inspect for any loose or damaged parts. Repair or replace damaged parts and tighten loose screws, nuts or bolts.
8. Lubricate all parts required with an oil damp cloth to avoid rust built-up.

## ENVIRONMENTAL PROTECTION

Recycle raw materials instead of disposing as waste. Machine, accessories and packaging should

be sorted for environment friendly recycling. The plastic components are labeled for categorized recycling.

Dispose used motor oil and the containers in a manner that is compatible with the environment. We suggest you take it in a sealed container to your local recycling center or service station for reclamation. Do not throw it in the trash, pour it on the ground, or pour it down a drain.

## WARRANTY

This product is warranted in accordance with the legal / country specific regulations, effective from the date of purchase by the first user. Damage attributable to normal wear and tear, overload or improper handling will be excluded from the warranty. In case of a claim, please send the machine, completely assembled, to your dealer or the official service center.

## FRANÇAIS

### AVERTISSEMENTS GÉNÉRAUX DE SÉCURITÉ

Lisez et comprenez le manuel de ce propriétaire avant d'exploiter ce produit. Vous pouvez aider à prévenir les accidents en connaissant les commandes de votre produit et en observant des procédures d'exploitation et des panneaux de sécurité. Utilisez toujours votre bon sens pour éviter toutes les situations considérées au-delà de vos capacités. Ne pas utiliser pendant que vous êtes fatigué ou sous l'influence de drogues, d'alcool ou de tout autre médicament. Gardez les passants et les animaux qui pourraient être blessés, ainsi que les articles qui pourraient être endommagés loin, tout en opérant. Ne laissez jamais les enfants ou les personnes qui ne connaissent pas ces instructions utiliser le produit. Les lois locales peuvent restreindre l'âge minimum de l'opérateur. Gardez à l'esprit que l'exploitant ou l'utilisateur est responsable d'accidents ou d'événements imprévus survenus sur d'autres personnes, animaux ou leurs biens. N'exposez pas le produit à une humidité excessive, à la poussière, à la saleté ou à des vapeurs corrosives. Ne montez pas d'équipement ou d'accessoires sur la machine qui n'est pas prévu ou approuvé par le fabricant. N'essayez jamais de modifier le produit. Les modifications ou accessoires non autorisés peuvent entraîner des blessures graves ou le décès de l'exploitant ou d'autres personnes. Consultez votre concessionnaire autorisé pour le démontage et le service, non couvert dans ce manuel. Si quelque chose se casse ou qu'un accident se produit pendant le travail, éteignez immédiatement la machine et éloignez-la pour éviter d'autres dommages. Dans le cas où un corps étranger est entré dans la machine, arrêtez-la immédiatement, inspectez-la pour décelée et faites des réparations avant de la recommencer.

### ÉQUIPEMENT DE PROTECTION

Assurez-vous d'utiliser de l'équipement de protection approprié et certifié lorsque vous utilisez l'appareil. Portez toujours des vêtements qui n'entravent pas les mouvements, des gants de protection, des lunettes, un respirateur demi-masque, une protection de l'oreille et des bottes de sécurité anti-cisaillement avec semelles antidérapants. Ne portez jamais d'écharpes, de colliers ou d'accessoires et de vêtements suspendus ou battants qui pourraient attraper dans la machine. Attachez vos cheveux s'ils sont longs.

### RISQUES DE POISON

Ne fonctionnez qu'à l'extérieur et dans des endroits bien ventilés. En marche, le moteur épuise le monoxyde de carbone toxique, un gaz inodore et incolore. L'inhalation de monoxyde de carbone causera des nausées, des évanouissements ou la mort. Ne pas faire fonctionner la machine dans un espace confiné où de dangereuses vapeurs de monoxyde de carbone peuvent se développer, ou près des fenêtres ouvertes.

Le carburant et le pétrole sont extrêmement toxiques. N'inhalez pas de gaz évaporatifs de carburant et portez toujours l'équipement de



protection approprié lors de leur manipulation. Conservez toujours le carburant et le pétrole dans des contenants approuvés et jetez-les de façon responsable.

### RISQUES D'INCENDIE ET DE BRÛLURE

Certaines parties de la machine deviennent assez chaudes pour enflammer des matériaux inflammables. Ne pas utiliser dans les zones à haut risque d'incendie. Ne dirigez pas le silencieux et donc les gaz d'échappement vers des matériaux inflammables.

Certaines parties de la machine deviennent assez chaudes pour causer des dommages causés par les brûlures. Faites attention de ne pas les toucher afin d'éviter de se brûler. Laissez refroidir la machine avant de la stocker.

L'essence et le pétrole sont inflammables. Suivez les instructions fournies par chaque fabricant avant utilisation. Les sources potentielles d'incendie ou d'étincelle doivent être tenues à l'écart en tout temps. Ne fumez pas près de la machine ou de tout carburant et pétrole. Faites le plein seulement à l'extérieur, dans une zone bien ventilée, le moteur s'est éteint. Ouvrez lentement le réservoir de carburant pour permettre à la pression à l'intérieur de diminuer graduellement. Ne remplissez pas trop le réservoir de carburant. Assurez-vous qu'il y a une certaine distance entre n'importe quel réservoir d'essence de rechange et l'appareil, afin d'éviter tout danger inutile. Assurez-vous que tout le carburant et le pétrole déversés ont été essuyés avant de démarrer le moteur.

En cas d'incendie, utilisez un extincteur approprié spécialement conçu pour les feux de pétrole et d'essence.

## AVERTISSEMENTS DE SÉCURITÉ CATÉGORIE

### FONCTIONNEMENT SÛR

Tous les leviers opérationnels de la machine doivent se déplacer facilement d'une position à l'autre et ne doivent pas avoir besoin d'être forcés. L'embrayage et les leviers inversés (le cas échéant) doivent revenir automatiquement et rapidement à la position neutre. Les câbles électriques et en particulier le câble de bougie d'allumage doivent être en parfait état pour éviter la génération d'étincelles et le bouchon de bougie d'allumage doit être correctement monté sur la bougie d'allumage. Les poignées et les dispositifs de protection doivent être propres et secs ainsi que solidement fixés à la machine.

Vérifiez toujours tous les objets qui peuvent bloquer l'écran d'admission d'air avant de commencer à travailler. Une prise d'air obstruée réduit les performances de la machine et augmente la température de fonctionnement du moteur, ce qui peut entraîner une panne moteur.

Assurez-vous d'arrêter le moteur :

- ▶ Lors du montage ou de la suppression des accessoires.
- ▶ Lorsque vous déplacez entre les zones de travail ou au-dessus des zones pavées et des obstacles au sol.

- ▶ Chaque fois que vous laissez la machine sans surveillance.
- ▶ Pendant le ravitaillement.
- ▶ Pendant le nettoyage ou l'entretien.
- ▶ Pendant le transport.
- ▶ Avant le stockage.

### RISQUES DE PIÈCES ROTATIVES

Les pièces rotatives peuvent causer des blessures graves. Évitez de contacter les pièces rotatives lorsqu'elles sont encore en rotation. Ne mettez jamais vos mains ou vos pieds sous le châssis de la barre ou près de l'équipement de labour pendant que le moteur fonctionne et marchez toujours derrière la barre. Ne jamais faire fonctionner le moteur sans le couvercle de la courroie (le cas échéant).

### RISQUES DE BRUIT ET DE VIBRATIONS

Les niveaux de bruit et de vibration indiqués dans ces instructions sont les niveaux maximaux pour l'utilisation de la machine. Un entretien insuffisant a un impact significatif sur les émissions de vibrations et de bruit. Par conséquent, il est nécessaire de prendre des mesures préventives pour éliminer les dommages possibles dus à des niveaux élevés de bruit et de stress causés par les vibrations. Maintenez bien la machine, portez des dispositifs de protection de l'oreille, des gants anti-vibrations et prenez des pauses pendant le travail. Le fonctionnement de la machine à une vitesse stable et l'adhérence des poignées fermement avec une force appropriée peuvent diminuer le niveau de vibration. Au cours d'une journée de travail, vous prendrez des pauses fréquentes et adéquates pour éviter les dommages causés par les vibrations et les dommages aux oreilles. Une exposition prolongée aux vibrations peut causer des blessures et des troubles neurovasculaires, en particulier aux personnes souffrant de troubles de la circulation. Les symptômes peuvent tenir compte des mains, des poignets et des doigts et sont montrés par la perte de sensibilité, la torpeur, les démangeaisons, la douleur et la décoloration ou les changements structurels à la peau. Ces effets peuvent être aggravés par de basses températures ambiantes ou par la préhension excessive des poignées de main. Si de tels symptômes se produisent, la durée d'utilisation de la machine doit être réduite et un médecin doit être consulté.

### RISQUES LIÉS À LA ZONE DE TRAVAIL

Inspectez minutieusement toute la zone de travail et utilisez un râteau ou une brosse de jardin pour desserrer manuellement les débris et enlever tout ce qui pourrait être projeté par la machine, être une source dangereuse ou causer des dommages à la machine en cas de survol (pierres, branches, fil de fer, os, etc.). Vérifiez qu'il n'y a pas de spectateurs, d'animaux ou d'articles qui pourraient être endommagés à moins de 15 mètres de la portée d'action de la machine.

Ne travaillez qu'en plein jour, ou avec une lumière artificielle appropriée, dans de bonnes conditions

de visibilité. Essayez de ne pas causer de nuisances sonores, en utilisant seulement cette machine à des moments raisonnables de la journée. Prenez une position ferme et équilibrée. Dans la mesure du possible, évitez de travailler sur un sol mouillé et glissant ou en tout cas sur un terrain inégal ou escarpé qui ne garantit pas la stabilité de l'opérateur.

### DANGERS RESTANTS

La machine a été construite en utilisant la technologie moderne et conformément aux règles de sécurité reconnues. Même lorsque toutes les mesures de sécurité sont en place, certains dangers restants, qui ne sont pas encore évidents, peuvent être présents. L'exploitant doit faire du bon sens et prendre les précautions nécessaires pour éviter les risques en raison des dangers restants.

## SPÉCIFICATIONS DU PRODUIT

### UTILISATION PRÉVUE

Cette machine est conçue et fabriquée pour cultiver le sol pour la plantation en labourant par exemple dans des serres, des vergers, des jardins. En outre, après avoir été équipé d'appareils et d'outils relatifs, il peut être utilisé pour d'autres applications telles que l'amerrissage forcé, ridging, levage de pommes de terre, etc.

Toute autre utilisation différente de celle mentionnée ci-dessus pourrait être dangereuse, nuire aux gens et endommager les choses et la machine elle-même.

### UTILISATION INAPPROPRIÉE

La machine ne doit pas être utilisée pour labourer des matières dangereuses, par exemple l'accumulation de produits inflammables ou explosifs, de braises chaudes ou de matériaux de combustion sans flamme, cigarettes allumées, verre, objets tranchants, objets métalliques, pierres et tout autre objet qui pourrait être dangereux pour la machine elle-même ainsi que pour l'opérateur, les passants, les animaux ou les biens.

D'autres exemples d'utilisation inappropriée peuvent inclure, sans s'y limiter, le fonctionnement de la machine :

- ▶ Sans les accessoires d'origine fournis par le fabricant.
- ▶ Avec des accessoires originaux, mais d'une manière non conforme aux instructions.
- ▶ Sans pièces de rechange d'origine.
- ▶ Avec des modifications non autorisées.
- ▶ Par plus d'une personne.

## DONNÉES TECHNIQUES PAGE 73

### IDENTIFICATION (FIG. 1)

1. Levier d'embrayage
2. Silencieux
3. Réservoir de carburant
4. Filtre à air
5. Poignée de démarrage
6. Assemblage de dents de labour

7. Aile de boue
8. Boîte
9. Guide d'ajustement de profondeur de labourage
10. Levier de changement de vitesse
11. Levier de réglage de hauteur de poignée
12. Manette
13. Levier inversé
14. ON / OFF switch

## OPÉRATION

### PRÉPARATION DE L'UNITÉ

Le déballage et l'achèvement de l'assemblage doivent se faire sur une surface plate et stable, avec suffisamment d'espace pour déplacer la machine et son emballage, en faisant toujours usage d'un équipement approprié. L'assemblage doit être effectué par du personnel qualifié à votre magasin de concessionnaire le plus proche, si nécessaire.

### Guide d'ajustement de profondeur de labourage

Retirez la sécurité (Fig. 2.1) et la goupille (Fig. 2.2) de la barre de raccordement (Fig. 2.3). Placez le guide d'ajustement de profondeur de labour (Fig. 2.4) dans la barre de raccordement et assemblez-le avec la goupille et la sécurité. Placez l'assemblage (Fig. 3.4) en position sur le corps principal de la barre (Fig. 3.2) et fixez-le avec la goupille de sécurité (Fig. 3.3).

### Outil de labour

L'assemblage des dents de labour (Fig. 1.16) se compose de trois ensembles de quatre lames (au total douze lames) et d'un disque latéral pour chaque côté. Chaque tine latérale sera généralement préassemblée à l'usine et prête à s'adapter à la machine. Dans le cas où l'assemblage des dents est nécessaire, nous suggérons qu'il est effectué uniquement par du personnel qualifié à votre magasin de concessionnaires le plus proche. Pour assembler la tine du côté droit (Fig. 3.1) sur la barre, penchez soigneusement la machine vers la gauche, placez la tine sur l'arbre de l'essieu de sortie (Fig. 3.7) et verrouillez-la en position avec la goupille fournie (Fig. 3.9) et la sécurité (Fig. 3.8). Pour assembler la tine côté gauche (Fig. 3.5) sur la barre, penchez soigneusement la machine vers la droite, placez la tine sur l'arbre de l'essieu de sortie et verrouillez-la en position avec la goupille et la sécurité fournies.

### Ailes de boue

Assurez-vous que les ailes de boue de protection de l'équipement de labour (Fig. 1.7) sont assemblées en toute sécurité en position. Si les ailes ne sont pas préassemblées par le fabricant, utilisez les écrous, boulons et adaptateurs fournis pour assembler les ailes gauche et droite.

### Poignée d'opération

Assembler le tube de raccordement (Fig. 4.1) en position sur la boîte de vitesses (Fig. 4.2) avec les quatre boulons fournis. Assembler la poignée (Fig.

5.3) sur le tube de raccordement (Fig. 5.2) et serrer le levier de réglage de la hauteur de la poignée (Fig. 5.1) pour verrouiller la poignée en position.

### Réglage de la hauteur de la poignée d'opération

Vous pouvez ajuster la hauteur de la poignée de fonctionnement en desserrant le levier de réglage de la hauteur de la poignée (Fig. 1.11), en fixant l'angle de la poignée de fonctionnement comme vous le souhaitez (la hauteur de la taille est recommandée) et en serrant le levier à nouveau en position.

### Levier de changement de vitesse

Placez le levier de changement de vitesse (Fig. 6.2) en position à travers le support (fig. 6.1) sur le tube de raccordement de poignée, dans le bras de vitesse de décalage (fig. 6.3) et fixez-vous avec la laveuse et la sécurité.

### Câbles d'embrayage, de marche arrière et d'accélérateur

L'installation de câbles liés à l'embrayage, à l'inverse ou à la manette des gaz, qui ne sont pas déjà préassemblés par le fabricant, ne doit être effectuée que par du personnel qualifié à votre magasin de concessionnaire le plus proche.

## CARBURANT ET LUBRIFICATION

### AVERTISSEMENT:

La machine est livrée sans huile et sans carburant.

Ce produit est équipé d'un moteur à 4 temps qui signifie que l'essence doit être utilisée dans le réservoir de carburant (Fig. 1.3) et que le moteur doit être rempli d'huile. En outre, la barre est équipée d'une boîte de vitesses, qui doit également être lubrifiée par l'huile.

### NOTE:

Utilisez un entonnoir afin d'éviter de renverser du carburant ou de l'huile.

Spécifications de carburant : Essence sans plomb ou 90 octane de plus.

### AVERTISSEMENT:

Utilisez toujours un contenant propre pour stocker le carburant et n'utilisez pas le carburant stocké pendant plus d'un mois.

Spécifications d'huile : Pour une utilisation générale (5°C - 38°C), l'huile recommandée est SAE 10W40 (Fig. 10).

Pour remplir la machine de carburant :

1. Retirer le bouchon du réservoir de carburant (Fig. 7.1).
2. Ajouter du carburant au niveau supérieur du réservoir de carburant. Laissez un minimum de 5 mm d'espace entre le dessus du carburant et le bord intérieur du réservoir pour permettre l'expansion. La moitié de la longueur (Fig. 7.3) du filtre à bouchon de réservoir de carburant (Fig. 7.2) peut également fonctionner comme le signe supérieur du niveau de carburant, le cas où il est disponible.
3. Repositionnez le bouchon du réservoir de carburant et serrez-le de façon appropriée.

Pour remplir le moteur d'huile :

1. Retirer le bouchon de remplissage d'huile (Fig. 8.3) du cou de remplissage de l'huile moteur (Fig. 8.2). La partie inférieure de celui-ci est l'indicateur de niveau d'huile.
2. Ajouter graduellement suffisamment d'huile pour amener le niveau d'huile entre la limite supérieure (Fig. 8.4) et inférieure (Fig. 8.5) à l'indicateur du niveau d'huile. La mesure doit être faite avec le dipstick placé, mais pas vissé, dans le cou de remplissage.
3. Repositionner le bouchon de remplissage d'huile et serrer de façon appropriée.

Pour remplir la boîte de vitesses d'huile :

1. Retirer le bouchon de remplissage d'huile de la boîte de vitesses (Fig. 1.8) cou de remplissage d'huile. La partie inférieure de celui-ci est l'indicateur de niveau d'huile.
2. Ajouter graduellement suffisamment d'huile pour amener le niveau d'huile entre la limite supérieure (Fig. 9.1) et inférieure (Fig. 9.2) à l'indicateur du niveau d'huile.
3. Repositionner le bouchon de remplissage d'huile et serrer de façon appropriée.

Pour remplir le filtre à air d'huile (applicable uniquement au filtre à air de type bain d'huile) :

1. Retirez le couvercle du filtre à air (Fig. 11.1) et l'élément filtre à air (Fig. 11.2) du filtre à air (Fig. 1.4).
2. Ajouter graduellement suffisamment d'huile pour amener le niveau d'huile à la limite supérieure de l'indicateur du niveau d'huile.
3. Repositionnez l'élément filtre à air.
4. Repositionnez le couvercle du filtre à air et serrez-le de façon appropriée.

### AVERTISSEMENT:

Essayez tout carburant et huile déversés avant de démarrer le moteur.

### DÉMARRAGE DE L'UNITÉ

Avant de démarrer la machine :

1. Assurez-vous à la fois la machine et vous êtes sur un terrain stable.
2. Vérifiez que toutes les attaches sont fixées en position.
3. Préparez les accessoires et assurez-vous qu'ils sont correctement montés.
4. Vérifiez que le filtre à air est propre et que la prise d'air et les gaz d'échappement ne sont obstrués par aucun matériel étranger.
5. Remplir de la quantité requise d'huile et de carburant.
6. Assurez-vous que le levier d'embrayage (Fig. 1.1) est désengagé et que le levier de changement de vitesse (Fig. 1.10) est en position neutre, afin d'éviter le mouvement incontrôlé de la barre.

Pour démarrer la machine :

1. Déplacez le levier de soupape de carburant (Fig. 12.2) vers la position « ON ».
2. Déplacez le levier d'étranglement (Fig. 12.1) vers la position « ON ».

### NOTE:

Cette étape ne s'applique qu'au démarrage à froid du moteur. Lorsque le moteur est déjà chaud ou que la température ambiante est élevée, le levier d'étranglement doit être en position

« OFF » en tout temps.

- Déplacez l'interrupteur ON/OFF (Fig. 1.14) vers la position « ON » (Fig. 16).
- Déplacez le levier de manette des gaz (Fig. 1.13) vers la position « L » (basse vitesse) (Fig. 13).
- Saisissez fermement la poignée de la machine avec votre main gauche et la poignée de démarrage du moteur avec votre main droite (Fig. 14). Tirez sur l'adhérence du démarreur jusqu'à ce que vous sentiez de la résistance pour engager le moteur, puis tirez fermement pour démarrer le moteur.

#### AVERTISSEMENT:

Pour éviter de casser la corde de démarrage, ne tirez pas toute la longueur de celui-ci ou laissez-la glisser le long du bord du trou de guidage du câble. Relâchez le démarreur graduellement, pour éviter de le laisser revenir de façon incontrôlable.

- Au fur et à mesure que le moteur se réchauffe, déplacez graduellement le levier d'étranglement vers la position « OFF », si le moteur était démarré à froid.

#### NOTE:

Pour une performance et une fiabilité maximales, laissez le moteur se réchauffer avant de le faire fonctionner, en le exécutant pendant deux à trois minutes à la vitesse au ralenti.

## FONCTIONNEMENT DE L'UNITÉ

### Levier d'embrayage

Tirez le levier d'embrayage (Fig. 15.1) vers la poignée (Fig. 15.B) et gardez-le en place pour propulser la barre selon la vitesse choisie. Relâcher graduellement le levier d'embrayage en position neutre (Fig. 15.A) arrêtera le mouvement de la barre.

#### AVERTISSEMENT:

Le levier d'embrayage doit être relâché avant d'action du levier de vitesses.

### Levier inversé

Déplacez le levier de changement de vitesse vers la position « R » (marche arrière). Avec votre main droite tirez le levier inverse vers la poignée pour engager la vitesse inverse et la maintenir en place. Ensuite, avec votre main gauche tirez le levier d'embrayage vers la poignée et gardez-le en place pour propulser la barre vers l'arrière. Relâcher graduellement le levier d'embrayage en position neutre arrêtera le mouvement de la barre.

#### AVERTISSEMENT:

Le levier inverse doit être relâché avant d'action du levier de vitesses. Le levier inverse ne doit jamais être actionné pendant que le levier de changement de vitesse se trouve dans l'une ou l'autre des positions de vitesse avant.

### Manette

La vitesse du moteur souhaitée peut être réglée en déplaçant le levier de vitesse du moteur entre le « H » et le « L », pour une vitesse élevée et basse respectivement (Fig. 13).

#### AVERTISSEMENT:

La vitesse du moteur doit être réduite au minimum

avant de faire fonctionner l'embrayage.

### Levier de changement de vitesse

Déplacez le levier de vitesses vers la position désirée pour choisir la façon dont votre barre sera propulsée:

- « R »: vitesse inverse
- « 0 »: équipement neutre
- « 1 »: vitesse avant numéro un
- « 2 »: vitesse avant numéro deux

#### NOTE:

Les engrenages « R » et « O » partagent la même position de levier de changement de vitesse.

#### NOTE:

Dans le cas où le levier de changement de vitesse n'engagera pas l'engrenage désiré, arrêtez le moteur. Puis tirez sur le levier d'embrayage et déplacez manuellement la barre légèrement vers l'arrière et vers l'avant afin de repositionner les engrenages à l'intérieur de la boîte de vitesses.

### ARRÊT DE L'APPAREIL

Pour arrêter la machine :

- Abaissez la vitesse du moteur en déplaçant le levier de la manette des gaz vers la position « L ».
- Relâchez le levier d'embrayage pour empêcher la barre de bouger.
- Relâchez le levier inverse, si la barre était en marche arrière.
- Déplacez le levier de changement de vitesse en position neutre.
- Déplacez le commutateur ON/OFF vers la position « OFF ».
- Déplacez le levier de la soupape de carburant vers la position « OFF ».

## ENTRETIEN ET NETTOYAGE

### AVERTISSEMENT:

Ne faites jamais d'entretien ou de nettoyage avec l'appareil en marche. Travaillez toujours sur une unité cool. Avant de nettoyer ou de faire des travaux d'entretien, déconnectez le bouchon de bougie d'allumage et lisez les instructions pertinentes. Portez toujours des vêtements et des gants de protection appropriés chaque fois que vos mains sont à risque.

Tous les ajustements ou opérations d'entretien qui ne sont pas décrits dans ce manuel doivent être effectués par votre concessionnaire ou un centre de service spécialisé avec les connaissances et l'équipement nécessaires pour s'assurer que le travail est effectué correctement en maintenant le niveau de sécurité d'origine de la machine. Toute opération effectuée dans des centres non autorisés ou par des personnes non qualifiées invalidera totalement la garantie et toutes les obligations et responsabilités du fabricant.

Gardez toutes les écrous et les vis serrées pour être sûr que la machine est toujours en bon état de fonctionnement. L'entretien de routine est essentiel à la sécurité et au maintien d'un niveau de haute performance.

### AVERTISSEMENT:

N'utilisez jamais la machine avec des pièces usées ou endommagées. Les pièces défectueuses ou usées

doivent toujours être remplacées et non réparées. N'utilisez que des pièces de rechange originales.

## CALENDRIER D'ENTRETIEN

Articles		Fréquence					
		Avant chaque utilisation	Après le 1er mois ou 5h de fonctionnement	Tous les 3 mois ou 25 heures de fonctionnement	Tous les 6 mois ou 50h de fonctionnement	Tous les 12 mois ou 100 heures de fonctionnement	
Unité complète	Inspection visuelle	✓					
	Fixations sécurisées	✓					
Poignées de contrôle	Vérifier	✓*					
Dents et couteaux de labourage	Vérifier	✓*					
Huile d'Engine	Vérifier - Remplir	✓					
	Remplacer		✓		✓		
Huile de boîte de vitesses	Vérifier - Remplir	✓					
	Remplacer						✓**
Liens	Lubrifier			✓			
Filtre à air	Vérifier - Nettoyer	✓*	✓*	✓*			
	Remplacer						✓
Bougie	Vérifier - Ajuster				✓*		
	Remplacer						✓
Filtre à carburant	Nettoyer			✓			
Tube de carburant	Vérifier						✓*
Tasse de sédiment de carburateur	Nettoyer				✓		
Dégagement de des vannes	Vérifier - Ajuster						✓**

\*Ces articles doivent être remplacés si nécessaire.  
 \*\*Ces articles ne doivent être entretenus et réparés que par un concessionnaire autorisé, qui a les outils appropriés et les compétences mécaniques requises.

## OUTIL DE LABOURAGE

Vérifiez périodiquement les dents de labour pour l'usure ou les dommages. Les pièces endommagées doivent être remplacées avant de faire fonctionner à nouveau la barre. L'usure des couteaux de labour aura une incidence négative sur la capacité de labour de la machine et ils devraient être remplacés si nécessaire.

## LES LEVIERS D'EMBRAYAGE, D'INVERSE ET DE MANETTE DES GAZ JOUENT

De petits réglages sur les câbles d'embrayage, d'in-

verse et d'accélérateur déjà préassemblés peuvent être effectués à l'aide de la vis de l'écrou et de la tige sur chaque câble sur le côté du levier. Si la distance de déplacement n'est pas correcte, lâchez l'écrou de verrouillage et ajustez par jeu en tournant le boulon d'ajustement au besoin. Une fois terminé, serrez l'écrou de verrouillage et vérifiez à nouveau le bon fonctionnement du levier d'embrayage.

Après tout ajustement connexe, assurez-vous que les leviers d'embrayage, d'inverse ou de manette des gaz se déplacent d'une position à l'autre sans avoir besoin d'une force excessive et que les tiges d'embrayage, d'inverse ou d'accélérateur de la boîte de vitesses ou du moteur, respectivement, peuvent être actionnées à leur pleine portée.

### NOTE:

Il est recommandé que ces ajustements ne soient effectués que par du personnel qualifié à votre magasin de concessionnaire le plus proche, afin d'assurer les normes de sécurité d'origine de la machine.

## VÉRIFIEZ PÉRIODIQUEMENT LES DENTS DE LABOUR POUR LA LUBRICATION

### AVERTISSEMENT:

Vérifier le niveau et changer l'huile doit être fait sur un sol solide et plat. Le moteur doit être arrêté en tout temps. Si le moteur avait été en marche, il fera chaud et la procédure doit être faite avec soin et les précautions nécessaires afin d'éviter le danger de brûlure.

### NOTE:

Égoutter l'huile usé pendant que le moteur est chaud. L'huile chaude s'écoule rapidement et complètement.

## Huile moteur

Pour vérifier le niveau d'huile :

- Retirer le bouchon de remplissage d'huile du cou de remplissage de l'huile moteur.
- Essuyez l'indicateur de niveau d'huile propre.
- Insérez le bouchon de remplissage d'huile dans le cou de remplissage d'huile, sans le visser.
- Retirez le bouchon de remplissage et vérifiez le niveau d'huile indiqué sur l'indicateur de niveau d'huile. Si nécessaire, ajouter suffisamment d'huile pour amener le niveau d'huile entre la limite supérieure et inférieure de l'indicateur du niveau d'huile.
- Repositionner le bouchon de remplissage d'huile et serrer de façon appropriée.

Pour changer l'huile :

- Retirer le bouchon de remplissage d'huile du cou de remplissage de l'huile moteur.
- Placez un récipient approprié sous le bouchon de vidange d'huile (Fig. 8.1) pour attraper l'huile usé.
- Retirer le bouchon de vidange d'huile et laisser l'huile s'écouler complètement.
- Repositionnez le bouchon de vidange d'huile et serrez-le de façon appropriée.
- Ajouter graduellement suffisamment d'huile pour amener le niveau d'huile entre la limite supérieure et inférieure de l'indicateur du niveau d'huile.
- Repositionner le bouchon de remplissage d'huile et serrer de façon appropriée.

**NOTE:**

Si le moteur fonctionne fréquemment dans des circonstances extrêmement poussiérées ou autres circonstances graves, changez l'huile moteur toutes les 25 heures.

**AVERTISSEMENT:**

Le fonctionnement du moteur à faible niveau d'huile causera des dommages au moteur.

**Huile de boîte de vitesses**

Pour vérifier le niveau d'huile :

1. Retirer le bouchon de remplissage d'huile du cou de remplissage d'huile de boîte de vitesses.
2. Vérifiez le niveau d'huile. Si nécessaire, remplissez avec suffisamment d'huile pour amener le niveau d'huile entre la limite supérieure et inférieure sur l'indicateur de niveau d'huile.
3. Placez le bouchon de remplissage d'huile en position et serrez-le de façon appropriée.

Pour changer l'huile :

L'opération de changement d'huile de boîte de vitesses doit être effectuée par votre concessionnaire ou un centre de service spécialisé avec les connaissances et l'équipement nécessaires.

**AVERTISSEMENT:**

L'exécution de la barre sera faible niveau d'huile de boîte de vitesses causera des dommages boîte de vitesses.

**Lubrification des liens**

Lubrifier les liens toutes les dix heures de fonctionnement ainsi qu'avant le stockage de longues périodes de temps avec de l'huile moteur ou un chiffon propre humide avec de l'huile.

**FILTRE À AIR****AVERTISSEMENT:**

Le fonctionnement du moteur sans nettoyeur d'air, ou avec un nettoyeur d'air endommagé, permettra à la saleté d'entrer dans le moteur, provoquant une usure rapide du moteur.

Pour vérifier, nettoyer ou changer le filtre à air (Fig. 11) :

1. Retirer le couvercle du filtre à air.
2. Assurez-vous que l'élément filtre à air est exempt de saleté et en bon état. S'il est sale, retirez-le et nettoyez-le.
  - Pour nettoyer un élément de filtre à air mousse, lavez-le avec du détergent à la maison et de l'eau chaude et laissez-le sécher. Puis trempez-le dans de l'huile de moteur saturée propre et pressez doucement l'excès d'huile. Si nécessaire, remplacez-le par un nouveau.
  - Pour nettoyer un élément de filtre à air en papier, nettoyez la saleté légère en l'scotchant doucement à quelques reprises sur une surface dure et remplacez-la si de la saleté lourde est présente.
3. Nettoyez l'intérieur du étui à filtre à air et couvrez-le de la saleté avec un chiffon doux. Si le moteur est équipé d'un filtre à air de type bain d'huile, remplacez l'huile par une nouvelle huile moteur.
4. Réinstallez l'élément filtre à air et suivre la procédure inverse pour remettre en position le couvercle du filtre à air.

**AVERTISSEMENT:**

Ne jamais nettoyer le filtre à air avec des détergents inflammables ou à faible point d'éclair pour éviter le

risque d'incendie ou d'explosion.

**NOTE:**

Si le moteur fonctionne fréquemment dans des circonstances poussiérées ou autres circonstances graves, nettoyez le filtre à air toutes les 10 heures et ajoutez du changement d'huile avec du neuf. Si nécessaire, modifiez l'élément filtre à air toutes les 25 heures.

**BOUGIE**

Pour maintenir la bougie d'allumage (Fig. 17.1) :

1. Retirez le bouchon de bougie d'allumage pour accéder à la bougie d'allumage.
2. Utilisez un outil de bougie d'allumage approprié (Fig. 17.2) pour enlever soigneusement la bougie d'allumage.
3. Inspecter l'état de la bougie d'allumage et de son électrode. Il doit être propre et non porté. Vérifiez que l'écart de bougie d'allumage se situe entre 0,7 et 0,8 mm (Fig. 17). Remplacez la bougie d'allumage par une nouvelle, si nécessaire.
4. Enfillez soigneusement la bougie d'allumage dans le moteur à la main.
5. Une fois fileté, utilisez l'outil de bougie d'allumage approprié pour serrer la bougie d'allumage, en prêtant attention à ne pas utiliser une force excessive endommager les fils.
6. Ré-attachez le bouchon de bougie d'allumage.

**AVERTISSEMENT:**

Ne laissez jamais entrer la saleté ou les débris dans le perséage du cylindre. Avant d'enlever la bougie d'allumage, nettoyez soigneusement la bougie d'allumage et la tête du cylindre.

**TASSE DE SÉDIMENTS DE CARBURANT****AVERTISSEMENT:**

Ne maintenez le carburateur à carburant qu'à l'extérieur et dans des endroits bien ventilés.

Pour maintenir la tasse de sédiments de carburant :

1. Tournez la vanne de carburant à la position « OFF ».
  2. Retirer la tasse de sédiments de carburant du carburateur (Fig. 18.2) avec son anneau de joint en caoutchouc (Fig. 18.1).
  3. Laver les pièces enlevées dans le solvant, les sécher à fond.
- AVERTISSEMENT:**  
Ne nettoyez jamais la tasse de sédiments de carburant avec des détergents inflammables ou à faible point d'éclair pour éviter le risque d'incendie ou d'explosion.
4. Remplacez l'anneau de joint en caoutchouc par un nouvel anneau si nécessaire.
  5. Réinstaller l'anneau de joint en caoutchouc et la tasse de sédiments et fixer en position.
  6. Tournez la soupape de carburant en position « ON » et vérifiez s'il y a des fuites de carburant.

**FILTRE À CARBURANT**

Le réservoir de carburant peut être équipé d'un filtre, selon le modèle de barre, situé au bouchon du réservoir de carburant. Le filtre à carburant peut être choisi et doit être vérifié périodiquement. Si le filtre est sale, nettoyez-le et remplacez-le par un nouveau lorsque cela est nécessaire. Dans le cas où l'intérieur du réservoir de carburant est sale, il peut

être nettoyé en rinçant le réservoir de carburant avec de l'essence propre.

### **NETTOYAGE**

Utilisez une petite brosse souple pour nettoyer l'extérieur de l'appareil. N'utilisez pas de détergents forts. Les nettoyants ménagers qui contiennent des huiles aromatiques comme le pin et le citron et les solvants comme le kérosène peuvent endommager le boîtier ou la poignée en plastique. Essuyez toute humidité avec un chiffon doux. Les dents et les ailes peuvent être nettoyées avec de l'eau à l'aide d'un tuyau d'arrosage.

### **STOCKAGE**

#### **AVERTISSEMENT:**

Ne jamais entreposer l'appareil avec du carburant dans le réservoir et toujours laisser refroidir l'appareil avant de le stocker. Ne rangez l'appareil que dans des endroits secs et bien ventilés.

Dans le cas où l'appareil sera stocké pendant une période prolongée, utilisez la procédure de stockage suivante :

1. Égoutter tout le carburant du réservoir de carburant.
2. Démarrez le moteur et laissez-le fonctionner jusqu'à ce qu'il cale. Cela garantit que tout le carburant a été drainé du carburateur.
3. Remplacer l'huile moteur par une nouvelle.
4. Remplacer l'huile de boîte de vitesses par une nouvelle.
5. Remplacez l'huile de filtre à air par de nouvelles, si le filtre à air est de type bain d'huile.
6. Retirez la bougie d'allumage et mettez 30 ml d'huile moteur de haute qualité dans le cylindre. Tirez lentement sur la corde de démarrage pour distribuer l'huile. Réinstaller la bougie d'allumage.
7. Nettoyez soigneusement l'appareil et inspectez les pièces lâches ou endommagées. Réparer ou remplacer les pièces endommagées et serrer les vis, les écrous ou les boulons lâches.
8. Lubrifier toutes les pièces nécessaires avec un chiffon humide à l'huile pour éviter la rouille accumulée.

### **PROTECTION DE L'ENVIRONNEMENT**

Recycler les matières premières au lieu de les éliminer comme déchets. La machine, les accessoires et l'emballage doivent être triés pour un recyclage respectueux de l'environnement. Les composants en plastique sont étiquetés pour le recyclage catégorisé.

Disposez l'huile à moteur usée et les contenants d'une manière compatible avec l'environnement. Nous vous suggérons de l'emmener dans un contenant scellé à votre centre de recyclage local ou station-service pour la remise en état. Ne le jetez pas à la poubelle, ne le versez pas sur le sol ou ne le versez pas dans un drain.

### **GARANTIE**

Ce produit est justifié conformément à la réglementation légale / pays spécifique, à compter de la date

d'achat par le premier utilisateur. Les dommages attribuables à l'usure normale, à la surcharge ou à une mauvaise manipulation seront exclus de la garantie. En cas de réclamation, veuillez envoyer la machine, entièrement assemblée, à votre concessionnaire ou au centre de service officiel.

## ITALIANO

### AVVERTENZE GENERALI DI SICUREZZA

Leggi e comprendi il manuale di questo proprietario prima di funzionare questo prodotto. Puoi aiutare a prevenire gli incidenti conoscendo i controlli del tuo prodotto e osservando procedure operative sicure e segnali di sicurezza. Usa sempre il tuo buon senso per evitare tutte le situazioni considerate al di là delle tue capacità. Non usare mentre sei stanco o sotto l'influenza di droghe, alcol o qualsiasi altro farmaco. Tene re astanti e animali che potrebbero essere feriti, così come oggetti che potrebbero essere danneggiati, durante il funzionamento. Non consentire mai ai bambini o alle persone che non hanno familiarità con queste istruzioni di utilizzare il prodotto. Le leggi locali possono limitare l'età minima dell'operatore. Tieni presente che l'operatore o l'utente è responsabile di incidenti o eventi imprevisti che si verificano ad altre persone, animali o loro proprietà. Non esporre il prodotto a umidità eccessiva, polvere, sporco o vapori corrosivi. Non montare attrezzature o accessori sulla macchina non previsti o approvati dal produttore. Non tentare mai di modificare il prodotto. Modifiche o accessori non autorizzati possono causare gravi lesioni personali o la morte dell'operatore o di altri. Consultare il rivenditore autorizzato per lo smontaggio e l'assistenza, non contemplato nel presente manuale. Se si verifica qualcosa che si rompe o si verifica un incidente durante il lavoro, spegnere immediatamente la macchina e allontanarla per evitare ulteriori danni. Nel caso in cui il corpo estraneo sia entrato nella macchina, fermarlo immediatamente, ispezionarlo per eventuali danni ed effettuare riparazioni prima di rilancio.

### DISPOSITIVI DI PROTEZIONE

Assicurarsi di utilizzare dispositivi di protezione appropriati e certificati durante il funzionamento dell'unità. Indossare sempre indumenti che non ostacolino movimenti, guanti protettivi, occhiali, respiratore a mezza maschera, protezione dell'orecchio e stivali di sicurezza anti-taglio con suole antiscivolo. Non indossare mai scarpe, collane o accessori e indumenti appesi o svolazzanti che potrebbero catturare nella macchina. Legare i capelli se è lungo.

### RISCHI DI VELENO

Operare solo all'aperto e in aree ben ventilate. Durante il funzionamento, il motore esaurisce il monossido di carbonio velenoso, un gas inodore e incolore. L'inalazione di monossido di carbonio causerà nausea, svenimento o morte. Non utilizzare la macchina in uno spazio ristretto in cui possono svilupparsi pericolosi fumi di monossido di carbonio o vicino a finestre aperte. Carburante e olio sono estremamente tossici. Non inalare gas evaporativi del carburante e indossare sempre dispositivi di protezione adeguati durante la loro manipolazione. Conservare sempre carburante e olio in contenitori approvati e smaltire in modo responsabile.

### RISCHI DI INCENDIO E USTIONI

Alcune parti della macchina divengono abbastanza calde da accendere materiali infiammabili. Non utilizzare in aree ad alto rischio di incendio. Non dirigere il silenziatore e quindi i fumi di scarico verso materiali infiammabili.

Alcune parti della macchina si fanno abbastanza calde da causare danni da ustione. Prestare attenzione a non toccarli per evitare di essere bruciati. Lasciare raffreddare la macchina prima di conservarla.

Benzina e olio sono infiammabili. Seguire le istruzioni fornite da ciascun produttore prima dell'uso. Le potenziali fonti di fuoco o di scintilla dovrebbero essere tenute lontane in ogni momento. Non fumare vicino alla macchina o ad alcun carburante e olio. Fai rifornimento solo all'aperto, in un'area ben ventilata, con il motore spento. Aprire lentamente il serbatoio del carburante per consentire alla pressione all'interno di diminuire gradualmente. Non riempire troppo il serbatoio del carburante. Assicurarsi che vi sia una certa distanza tra qualsiasi serbatoio di benzina di ricambio e l'unità, per evitare inutili pericoli. Assicurarsi che tutto il carburante e l'olio versati siano stati cancellati prima di avviare il motore.

Se si verifica un incendio, utilizzare un estintore appropriato appositamente progettato per il fuoco di olio e benzina.

### CATEGORIA AVVERTENZE DI SICUREZZA

#### FUNZIONAMENTO SICURO

Tutte le leve operative della macchina devono spostarsi facilmente da una posizione all'altra e non devono essere forzate. La frizione e le leve in retromarcia (se del caso) devono tornare automaticamente e rapidamente in posizione neutra. I cavi elettrici e in particolare il cavo a candela devono essere in perfette condizioni per evitare la generazione di scintille e il tappo della candela deve essere montato correttamente sulla candela. Gli impugnati e i dispositivi di protezione devono essere puliti e asciutti e fissati saldamente alla macchina. Controllare sempre la presenza di oggetti che potrebbero bloccare la schermata di presa d'aria prima di iniziare a funzionare. Una presa d'aria intasata riduce le prestazioni della macchina e aumenta la temperatura di lavoro del motore, il che può causare guasti al motore.

Assicurarsi di arrestare il motore:

- ▶ Durante il montaggio o la rimozione di accessori.
- ▶ Quando ci si sposta tra le aree di lavoro o sopra le aree pavimentate e gli ostacoli al suolo.
- ▶ Ogni volta che si lascia la macchina incustodita.
- ▶ Durante il rifornimento.
- ▶ Durante la pulizia o la manutenzione.
- ▶ Durante il trasporto.
- ▶ Prima dello stoccaggio.

#### PERICOLI DELLE PARTI ROTANTI

Le parti rotanti possono causare gravi lesioni. Evitare di contattare le parti rotanti quando sono ancora in rotazione. Non mettere mai le mani o i piedi sotto il telaio del timone o vicino all'attrezzatura di



lavorazione mentre il motore è in funzione e camminare sempre dietro il timone. Non azionare mai il motore senza il coperchio della cinghia (se applicabile).

### RISCHI DI RUMORE E VIBRAZIONI

I livelli di rumore e vibrazione indicati in queste istruzioni sono i livelli massimi per l'uso della macchina. Una manutenzione insufficiente ha un impatto significativo sulle vibrazioni e sulle emissioni sonore. Di conseguenza, è necessario adottare misure preventive per eliminare possibili danni dovuti ad alti livelli di rumore e stress da vibrazioni. Mantenere bene la macchina, indossare dispositivi di protezione dell'orecchio, guanti antivibrazione e fare pause durante il lavoro. Il funzionamento della macchina con una velocità stabile e l'aderenza salda delle maniglie con forza adeguata possono ridurre il livello di vibrazione. Durante una giornata lavorativa, è necessario fare pause frequenti e adeguate per evitare danni da vibrazioni e danni alle orecchie. L'esposizione prolungata alle vibrazioni può causare lesioni e disturbi neurovascolari, specialmente alle persone che soffrono di disturbi della circolazione. I sintomi possono riguardare le mani, i polsi e le dita e sono mostrati attraverso la perdita di sensibilità, torpore, prurito, dolore e cambiamenti scolorimenti o strutturali alla pelle. Questi effetti possono essere peggiorati dalle basse temperature ambientali o afferrando eccessivamente le impugnate. Se si verificano tali sintomi, il periodo di tempo in cui viene utilizzata la macchina deve essere ridotto e un medico deve essere consultato.

### RISCHI DELL'AREA DI LAVORO

Ispezionare accuratamente l'intera area di lavoro e utilizzare un rastrello o una spazzola da cortile per allentare manualmente i detriti e rimuovere tutto ciò che potrebbe essere proiettato dalla macchina, essere una fonte pericolosa o causare danni alla macchina in caso di insospeso (pietre, rami, filo di ferro, ossa, ecc.). Verificare che non vi siano passanti, animali o oggetti che potrebbero essere danneggiati entro almeno 15 metri dalla portata d'azione della macchina.

Lavorare solo alla luce del giorno, o con una luce artificiale adatta, in buone condizioni di visibilità. Cerca di non causare disturbi del rumore, usando questa macchina solo in momenti ragionevoli della giornata.

Assumere una posizione ferma ed equilibrata. ove possibile, evitare di lavorare su terreni bagnati, scivolosi o comunque su terreni irregolari o ripidi che non garantiscono stabilità all'operatore.

### RISCHI RIMANENTI

La macchina è stata costruita utilizzando la tecnologia moderna e in conformità con le regole di sicurezza riconosciute. Anche quando sono in vigore tutte le misure di sicurezza, potrebbero essere presenti alcuni rischi rimanenti, che non sono ancora evidenti. L'operatore deve usare il buon senso e prendere le precauzioni necessarie per evitare rischi dovuti a pericoli rimanenti.

## SPECIFICHE DEL PRODOTTO

### DESTINAZIONE D'USO

Questa macchina è progettata e prodotta per coltivare terreni per la semina mediante lavorazione ad esempio in serre, frutteti, giardini.

Inoltre, dopo essere stato dotato di relativi dispositivi e strumenti, può essere utilizzato per altre applicazioni come l'abbandono, il ridging, il sollevamento delle patate, ecc.

Qualsiasi altro uso diverso da quelli sopra menzionati potrebbe essere pericoloso, danneggiare le persone e danneggiare le cose e la macchina stessa.

### USO IMPROPRIO

La macchina non deve essere utilizzata per la lavorazione di materiali pericolosi, ad esempio accumulo di prodotti infiammabili o esplosivi, braci calde o materiale di combustione senza fiamma, sigarette accese, vetro, oggetti appuntiti, oggetti metallici, pietre e qualsiasi altro oggetto che possa essere pericoloso per la macchina stessa, nonché per l'operatore, gli astanti, gli animali o le proprietà.

Altri esempi di uso improprio possono includere, ma non sono limitati, al funzionamento della macchina:

- ▶ Senza gli accessori originali forniti dal produttore.
- ▶ Con accessori originali ma in un modo non conforme alle istruzioni.
- ▶ Senza pezzi di ricambio originali.
- ▶ Con modifiche non autorizzate.
- ▶ Da più di una persona.

### DATI TECNICI PAGINA 74

#### IDENTIFICAZIONE (FIG. 1)

1. Leva frizione
2. Marmitta
3. Serbatoio del carburante
4. Filtro dell'aria
5. Presa di avviamento
6. Assemblaggio dei denti di lavorazione
7. Parafango di fango
8. Cambio
9. Guida alla regolazione della profondità di lavorazione
10. Leva cambio
11. Leva di regolazione dell'altezza della maniglia
12. Leva inversa
13. Leva dell'acceleratore
14. Interruttore ON /OFF

## OPERAZIONE

### PREPARAZIONE DELL'UNITÀ

Il disimballaggio e il completamento dell'assemblaggio devono essere eseguiti su una superficie piana e stabile, con spazio sufficiente per spostare la macchina e il suo imballaggio, facendo sempre uso di attrezzature adeguate. Il montaggio deve essere effettuato da personale addestrato presso la concessionaria più vicina, se necessario.

## Guida alla regolazione della profondità di lavorazione

Estrarre la sicurezza (Fig. 2.1) e il perno (Fig. 2.2) dalla barra di collegamento (Fig. 2.3). Posizionare la guida di regolazione della profondità di lavorazione (Fig. 2.4) nella barra di collegamento e assemblare insieme al perno e alla sicurezza. Posizionare il gruppo (Fig. 3.4) in posizione sul corpo principale del timone (Fig. 3.2) e fissare con il perno di sicurezza (Fig. 3.3).

### Strumento di lavorazione

L'assemblaggio dei denti di lavorazione (Fig. 1.16) è costituito da tre serie di quattro lame (totale dodici lame) e un disco laterale per ciascun lato. Ogni dente laterale sarà solitamente pre-assemblato in fabbrica e pronto per adattarsi alla macchina. Nel caso in cui sia richiesto l'assemblaggio dei denti, ti consigliamo di eseguirlo solo da personale addestrato presso il negozio del rivenditore più vicino. Per assemblare la lama laterale destra (Fig. 3.1) sul timone, appoggiare con cura la macchina a sinistra, posizionare il tine sull'albero dell'asse di uscita (Fig. 3.7) e bloccarlo in posizione con il perno fornito (Fig. 3.9) e la sicurezza (Fig. 3.8). Per assemblare la tina laterale sinistra (Fig. 3.5) sul timone, appoggiare con cura la macchina a destra, posizionare il dente sull'albero dell'asse di uscita e bloccarlo in posizione con il perno e la sicurezza forniti.

### Parafanghi di fango

Assicurarsi che i parafanghi di protezione dell'attrezzatura di lavorazione (Fig. 1.7) siano assemblati in modo sicuro in posizione. Se i parafanghi non sono preassemblati dal produttore, utilizzare i dadi, i bulloni e l'adattatore forniti per assemblare i parafanghi sinistro e destro.

### Handle operativo

Assemblare il tubo di collegamento (Fig. 4.1) in posizione sul cambio (Fig. 4.2) con i quattro bulloni forniti. Assemblare la maniglia (Fig. 5.3) sul tubo di collegamento (Fig. 5.2) e stringere la leva di regolazione dell'altezza della maniglia (Fig. 5.1) per bloccare la maniglia in posizione.

### Regolazione dell'altezza della maniglia operativa

È possibile regolare l'altezza della maniglia operativa allentando la leva di regolazione dell'altezza della maniglia (Fig. 1.11), impostando l'angolo della maniglia operativa come desiderato (si consiglia l'altezza della vita) e stringendo nuovamente la leva in posizione.

### Leva cambio

Posizionare la leva del cambio (Fig. 6.2) in posizione attraverso il supporto (Fig. 6.1) sul tubo di collegamento della maniglia, nel braccio del cambio (Fig. 6.3) e fissare con la lavatrice e la sicurezza.

### Cavi frizione, retromarcia e acceleratore

L'installazione di cavi relativi a frizione, retromarcia o acceleratore, non già preassemblati dal produttore, deve essere eseguita solo da personale addestrato presso la concessionaria più vicina.

## RIFORMIMENTO E LUBRIFICAZIONE

### AVVISO:

La macchina viene consegnata senza olio e carburante. Questo prodotto è dotato di un motore a 4 tempi, il che significa che la benzina deve essere utilizzata nel serbatoio del carburante (Fig. 1.3) e il motore deve essere riempito con olio. Inoltre, il timone è dotato di un cambio, che dovrebbe anche essere lubrificato dall'olio.

### NOTA:

Utilizzare un imbuto per evitare di versare carburante o olio.

Specifiche del carburante: benzina senza piombo o 90 ottani di più alto.

### AVVISO:

Utilizzare sempre un contenitore pulito per lo stoccaggio del carburante e non utilizzare il carburante immagazzinato per più di un mese.

Specifiche dell'olio: Per uso generale (5°C - 38°C) l'olio consigliato è SAE 10W40 (Fig. 10).

Per riempire la macchina di carburante:

1. Rimuovere il tappo del serbatoio del carburante (Fig. 7.1).
2. Aggiungere carburante al livello superiore del serbatoio del carburante. Lasciare un minimo di 5 mm di spazio tra la parte superiore del carburante e il bordo interno del serbatoio per consentire l'espansione. La metà della lunghezza (Fig. 7.3) del filtro del tappo del serbatoio del carburante (Fig. 7.2) può anche funzionare come segno di livello superiore del carburante, se disponibile.
3. Riposizionare il tappo del serbatoio del carburante e stringere in modo appropriato.

Per riempire il motore di olio:

1. Rimuovere il tappo di riempimento dell'olio (Fig. 8.3) dal collo di riempimento dell'olio motore (Fig. 8.2). La parte inferiore di esso è l'indicatore del livello dell'olio.
2. Aggiungere gradualmente abbastanza olio da portare il livello dell'olio tra il limite superiore (Fig. 8.4) e inferiore (Fig. 8.5) sull'indicatore del livello dell'olio. La misurazione deve essere eseguita con l'asta posizionata, ma non avvitata, nel collo di riempimento.
3. Riposizionare il tappo di riempimento dell'olio e stringere in modo appropriato.

Per riempire il cambio con olio:

1. Rimuovere il tappo di riempimento dell'olio dal cambio (Fig. 1.8) collo di riempimento dell'olio. La parte inferiore di esso è l'indicatore del livello dell'olio.
2. Aggiungere gradualmente abbastanza olio da portare il livello dell'olio tra il limite superiore (Fig. 9.1) e inferiore (Fig. 9.2) sull'indicatore del livello dell'olio.
3. Riposizionare il tappo di riempimento dell'olio e stringere in modo appropriato.

Per riempire il filtro dell'aria con olio (applicabile solo al filtro dell'aria di tipo bagno d'olio):

1. Rimuovere il coperchio del filtro dell'aria (Fig. 11.1) e l'elemento filtro dell'aria (Fig. 11.2) dal filtro dell'aria (Fig. 1.4).
2. Aggiungere gradualmente abbastanza olio per portare il livello dell'olio al limite superiore

dell'indicatore del livello dell'olio.

3. Riposizionare l'elemento filtro dell'aria.
4. Riposizionare il coperchio del filtro dell'aria e stringere in modo appropriato.

#### **AVVISO:**

Pulire il carburante e l'olio fuoriusciti prima di avviare il motore.

#### **AVVIO DELL'UNITÀ**

Prima di avviare la macchina:

1. Assicurarsi sia che la macchina sia su un terreno stabile.
2. Verificare che tutti gli elementi di fissaggio siano fissati in posizione.
3. Preparare gli accessori e assicurarsi che siano montati correttamente.
4. Verificare che il filtro dell'aria sia pulito e che la presa d'aria e lo scarico non siano intasati da materiali estranei.
5. Riempire con la quantità richiesta di olio e carburante.
6. Assicurarsi che la leva della frizione (Fig. 1.1) sia disinserito e che la leva del cambio (Fig. 1.10) sia in posizione neutra, per evitare movimenti incontrollati del timone.

Per avviare la macchina:

1. Spostare la leva della valvola del carburante (Fig. 12.2) nella posizione "ON".
2. Spostare la leva di strozzamento (Fig. 12.1) nella posizione "ON".

#### **NOTA:**

Questo passaggio si applica solo all'avviamento a freddo del motore. Quando il motore è già caldo o la temperatura dell'ambiente è elevata, la leva di strozzamento dovrebbe essere sempre in posizione "OFF".

3. Spostare l'interruttore ON/OFF (Fig. 1.14) nella posizione "ON" (Fig. 16).
4. Spostare la leva dell'acceleratore (Fig. 1.13) nella posizione "L" (bassa velocità) (Fig. 13).
5. Afferra saldamente la maniglia della macchina con la mano sinistra e l'impugnatura di avviamento del motore con la mano destra (Fig. 14). Tirare l'impugnatura di avviamento fino a quando non si sente resistenza per innestare il motore e quindi tirare saldamente per avviare il motore.

#### **AVVISO:**

Per evitare di rompere la corda di avviamento, non tirare l'intera lunghezza di essa o lasciarla scivolare lungo il bordo del foro di guida del cavo. Rilasciare gradualmente l'antipasto, per evitare di lasciarlo volare indietro in modo incontrollabile.

6. Quando il motore si riscalda, spostare gradualmente la leva di strozzamento nella posizione "OFF", se il motore era avviato a freddo.

#### **NOTA:**

Per le massime prestazioni e affidabilità, consentire al motore di riscaldarsi prima di funzionare, eseguendolo per due o tre minuti a velocità di inattività

## **FUNZIONAMENTO DELL'UNITÀ**

### **Leva frizione**

Tirare la leva della frizione (Fig. 15.1) verso la maniglia (Fig. 15.B) e tenerla in posizione per spingere il timone in base alla velocità scelta. Il rilascio graduale della leva della frizione in posizione neutra (Fig. 15.A) fermerà il movimento del timone.

#### **AVVISO:**

La leva della frizione deve essere rilasciata prima di utilizzare la leva del cambio.

### **Leva inversa**

Spostare la leva del cambio nella posizione "R" (inversa). Con la mano destra tirare la leva inversa verso la maniglia per innestare la retromarcia e mantenerla in posizione. Quindi, con la mano sinistra tirare la leva della frizione verso la maniglia e tenerla in posizione per spingere il timone all'indietro. Il rilascio graduale della leva della frizione in posizione neutra fermerà il movimento del timone.

#### **AVVISO:**

La leva inversa deve essere rilasciata prima di utilizzare la leva del cambio. La leva inversa non deve mai essere azionata mentre la leva del cambio si trova in nessuna delle posizioni del cambio in avanti.

### **Leva dell'acceleratore**

La velocità del motore desiderata può essere impostata spostando la leva della velocità del motore tra la "H" e la "L", rispettivamente per l'alta e la bassa velocità (Fig. 13).

#### **AVVISO:**

La velocità del motore deve essere ridotta al minimo prima di utilizzare la frizione.

### **Leva cambio**

Spostare la leva del cambio nella posizione desiderata per scegliere il modo in cui verrà spinto il timone:

- R: retromarcia
- 0: ingranaggi neutri
- 1: marcia avanti numero uno
- 2: marcia avanti numero due

#### **NOTA:**

Gli ingranaggi "R" e "O" condividono la stessa posizione della leva del cambio.

#### **NOTA:**

Nel caso in cui la leva del cambio non innegi la marcia desiderata, arrestare il motore. Quindi tirare la leva della frizione e spostare manualmente il timone leggermente avanti e indietro per riposizionare gli ingranaggi all'interno del cambio.

## **ARRESTO DELL'UNITÀ**

Per arrestare la macchina:

1. Abbassare la velocità del motore spostando la leva dell'acceleratore nella posizione "L".
2. Rilasciare la leva della frizione per impedire al timone di muoversi.
3. Rilasciare la leva inversa, se il timone era in funzionamento inverso.
4. Spostare la leva del cambio in posizione neutra.
5. Spostare l'interruttore ON/OFF nella posizione "OFF".

6. Spostare la leva della valvola del carburante nella posizione "OFF".

## MANUTENZIONE E PULIZIA

### AVVISO:

Non eseguire mai la manutenzione o la pulizia con l'unità in funzione. Lavorare sempre su un'unità fredda. Prima di pulire o fare lavori di manutenzione, scollegare il tappo della candela e leggere le istruzioni pertinenti. Indossare sempre indumenti adeguati e guanti protettivi ogni volta che le mani sono a rischio.

Eventuali regolazioni o operazioni di manutenzione non descritte nel presente manuale devono essere effettuate dal rivenditore o da un centro di assistenza specializzato con le conoscenze e le attrezzature necessarie per garantire che il lavoro venga eseguito correttamente mantenendo il livello di sicurezza originale della macchina. Qualsiasi operazione eseguita in centri non autorizzati o da persone non qualificate invaliderà totalmente la Garanzia e tutti gli obblighi e le responsabilità del Produttore.

Tenere tutti i dadi e le viti stretti per essere sicuri che la macchina sia sempre in condizioni di lavoro sicure. La manutenzione ordinaria è essenziale per la sicurezza e per mantenere un livello di prestazioni elevate.

### AVVISO:

Non utilizzare mai la macchina con parti usurate o danneggiate. Le parti difettose o usurate devono sempre essere sostituite e non riparate. Utilizzare solo pezzi di ricambio originali.

## PROGRAMMA DI MANUTENZIONE

Elementi		Frequenza				
		Prima di ogni utilizzo	Dopo il 1° mese o 5 ore di funzionamento	Ogni 3 mesi o 25 ore di funzionamento	Ogni 6 mesi o 50 ore di funzionamento	Ogni 12 mesi o 100 ore di funzionamento
Unità completa	Ispezione visuale	✓				
	Fissaggi sicuri	✓				
Maniglie di controllo	Dai un'occhiata	✓*				
Lavorazione di denti e coltelli	Dai un'occhiata	✓*				
	Controllare - Riempire	✓				
Olio di engina	Sostituire		✓		✓	
	Controllare - Riempire	✓				
Olio cambio	Sostituire					✓**
	Lubrificare			✓		

Elementi		Frequenza				
		Prima di ogni utilizzo	Dopo il 1° mese o 5 ore di funzionamento	Ogni 3 mesi o 25 ore di funzionamento	Ogni 6 mesi o 50 ore di funzionamento	Ogni 12 mesi o 100 ore di funzionamento
Filtro dell'aria	Dai un'occhiata - Pulito	✓*	✓*	✓*		
	Sostituire					✓
Candela	Verifica - Regola				✓*	
	Sostituire					✓
Filtro carburante	Pulito			✓		
Tubo del combustibile	Dai un'occhiata					✓*
Tazza sedimento carburatore	Pulito				✓	
Gioco della valvola	Verifica - Regola					✓**

\*Questi elementi devono essere sostituiti, se necessario.  
\*\*Questi articoli devono essere mantenuti e riparati solo da un rivenditore autorizzato, che abbia gli strumenti appropriati e la competenza meccanica richiesta.

## STRUMENTO DI LAVORAZIONE

Controllare periodicamente i denti di lavorazione per l'usura o i danni. Le parti danneggiate devono essere sostituite prima di utilizzare nuovamente il timone. L'usura dei coltelli da lavorazione influenzerà negativamente la capacità di lavorazione della macchina e dovrebbero essere sostituiti se necessario.

## LEVE FRIZIONE, RETROMARCIA E ACCELERATORE GIOCANO

Piccole regolazioni sui cavi di frizione, retromarcia e acceleratore già preassemblati possono essere effettuati utilizzando il dado e la vite dell'asta su ciascun cavo sul lato della leva. Se la distanza di percorrenza non è corretta, allentare il dado di blocco e regolarlo ruotando il bullone di regolazione come richiesto. Al termine, stringere il dado di blocco e controllare nuovamente il corretto funzionamento della leva della frizione.

Dopo qualsiasi regolazione correlata, assicurarsi che le leve della frizione, dell'inversione o dell'acceleratore si spostino da una posizione all'altra senza la necessità di una forza eccessiva e che le aste della frizione, dell'inversione o dell'acceleratore rispettivamente sul cambio o sul motore possano essere azionate a tutta la loro gamma.

### NOTA:

Si raccomanda che tali regolazioni vengano eseguite solo da personale addestrato presso la concessionaria più vicina, per garantire gli standard di sicurezza originali della macchina.

**LUBRIFICAZIONE****AVVISO:**

Controllare il livello e cambiare l'olio deve essere fatto su terreno solido e livellato. Il motore deve essere fermato in ogni momento. Se il motore era in funzione, sarà caldo e la procedura dovrebbe essere eseguita con cura e le precauzioni necessarie per evitare il pericolo di ustione.

**NOTA:**

Scolare l'olio usato mentre il motore è caldo. L'olio caldo si scarica rapidamente e completamente.

**Olio motore**

Per controllare il livello dell'olio:

1. Rimuovere il tappo di riempimento dell'olio dal collo di riempimento dell'olio motore.
2. Pulire l'indicatore del livello dell'olio.
3. Inserire il tappo di riempimento dell'olio nel collo del riempitivo dell'olio, senza avvitarlo.
4. Rimuovere il tappo di riempimento e controllare il livello dell'olio mostrato sull'indicatore del livello dell'olio. Se necessario, aggiungere abbastanza olio per portare il livello dell'olio tra il limite superiore e inferiore sull'indicatore del livello dell'olio.
5. Riposizionare il tappo di riempimento dell'olio e stringere in modo appropriato.

Per cambiare l'olio:

1. Rimuovere il tappo di riempimento dell'olio dal collo di riempimento dell'olio motore.
2. Posizionare un contenitore adatto sotto il tappo di scarico dell'olio (Fig. 8.1) per catturare l'olio usato.
3. Rimuovere il tappo di scarico dell'olio e lasciare che l'olio scarichi completamente.
4. Riposizionare il tappo di scarico dell'olio e stringere in modo appropriato.
5. Aggiungere gradualmente abbastanza olio per portare il livello dell'olio tra il limite superiore e inferiore sull'indicatore del livello dell'olio.
6. Riposizionare il tappo di riempimento dell'olio e stringere in modo appropriato.

**NOTA:**

Se il motore funziona frequentemente in circostanze estremamente polverose o altre gravi, cambiare l'olio motore ogni 25 ore.

**AVVISO:**

L'esecuzione del motore basso livello dell'olio causerà danni al motore.

**Olio cambio**

Per controllare il livello dell'olio:

1. Rimuovere il tappo di riempimento dell'olio dal collo del riempitivo dell'olio del cambio.
2. Controllare il livello dell'olio. Se necessario, riempire con abbastanza olio per portare il livello dell'olio tra il limite superiore e inferiore sull'indicatore del livello dell'olio.
3. Posizionare il tappo di riempimento dell'olio in posizione e stringere in modo appropriato.

Per cambiare l'olio:

Il cambio dell'olio del cambio deve essere effettuato dal rivenditore o da un centro di assistenza specializzato con le conoscenze e le attrezzature necessarie.

**AVVISO:**

L'esecuzione del timone a basso livello dell'olio del cambio causerà danni al cambio.

**Lubrificazione dei collegamenti**

Lubrificare i collegamenti ogni dieci ore di funzionamento e prima della conservazione di lunghi periodi di tempo con olio motore o un panno pulito umido con olio.

**FILTRO DELL'ARIA****AVVISO:**

Il funzionamento del motore senza pulitore d'aria, o con un pulitore d'aria danneggiato, consentirà allo sporco di entrare nel motore, causando una rapida usura del motore.

Per controllare, pulire o cambiare il filtro dell'aria (Fig. 11):

1. Rimuovere il coperchio del filtro dell'aria.
2. Assicurarsi che l'elemento filtro dell'aria sia privo di sporco e in buone condizioni. Se è sporco, rimuoverlo e pulirlo.
  - Per pulire un elemento filtro dell'aria in schiuma lavarolo con detersivo domestico e acqua calda e lasciarlo asciugare. Quindi immergerlo in olio motore saturo pulito e spremere delicatamente l'olio in eccesso. Se necessario, sostituirlo con uno nuovo.
  - Per pulire un elemento filtrante dell'aria di carta, pulire lo sporco leggero nasstrandolo delicatamente alcune volte su una superficie dura e sostituirlo se è presente sporco pesante.
3. Pulire l'interno della custodia del filtro dell'aria e coprire dallo sporco con un panno morbido. Se il motore è dotato di un filtro dell'aria di tipo bagno d'olio, sostituire l'olio con un nuovo olio motore.
4. Reinstallare l'elemento filtro dell'aria e seguire la procedura inversa per riposizionare il coperchio del filtro dell'aria.

**AVVISO:**

Non pulire mai il filtro dell'aria con detersivi infiammabili o a basso punto di infiammabilità per evitare il rischio di incendio o esplosione.

**NOTA:**

Se il motore funziona frequentemente in circostanze polverose o altre circostanze gravi, pulire il filtro dell'aria ogni 10 ore e aggiungere cambiare l'olio con nuovo. Se necessario, cambiare l'elemento filtro dell'aria ogni 25 ore.

**CANDELA**

Per mantenere la candela (Fig. 17.1):

1. Rimuovere il tappo della candela per accedere alla candela.
2. Utilizzare uno strumento candela appropriato (Fig. 17.2) per rimuovere con cura la candela.
3. Ispezionare le condizioni della candela e del suo elettrodo. Deve essere pulito e non indossato. Verificare che lo spinterometro sia compreso tra 0,7 e 0,8 mm (Fig. 17). Sostituire la candela con una nuova, se necessario.
4. Infilare con cura la candela nel motore a mano.
5. Una volta filettato, utilizzare l'appropriato strumento candela per stringere la candela,

prestando attenzione a non usare una forza eccessiva danneggiando i fili.

6. Ri-collegare il tappo della candela.

#### **AVVISO:**

Non permettere mai a sporco o detriti di entrare nel foro del cilindro. Prima di rimuovere la candela, pulire accuratamente la candela e l'area della testa del cilindro.

#### **TAZZA SEDIMENTO COMBUSTIBILE**

##### **AVVISO:**

Mantenere il carburatore di carburante solo all'aperto e in aree ben ventilate.

Per mantenere la tazza di sedimento del combustibile:

1. Ruotare la valvola del carburante in posizione "OFF".
2. Rimuovere la tazza di sedimento del carburante del carburatore (Fig. 18.2) con il suo anello di tenuta in gomma (Fig. 18.1).
3. Lavare le parti rimosse in solvente, asciugarle accuratamente.

##### **AVVISO:**

Non pulire mai la tazza di sedimento del combustibile con detergenti infiammabili o a basso punto di infiammabilità per evitare il rischio di incendio o esplosione.

4. Sostituire l'anello di tenuta in gomma con uno nuovo, se necessario.
5. Reinstallare l'anello di tenuta in gomma e la tazza di sedimento e fissare in posizione.
6. Ruotare la valvola del carburante in posizione "ON" e verificare la presenza di eventuali perdite di carburante.

#### **FILTRO CARBURANTE**

Il serbatoio del carburante può essere dotato di un filtro, a seconda del modello di timone, situato sul tappo del serbatoio del carburante. Il filtro del carburante può essere prelevato e deve essere controllato periodicamente. Se il filtro è sporco, pulirlo e sostituirlo con uno nuovo quando necessario. Nel caso in cui l'interno del serbatoio del carburante sia sporco, può essere pulito risciacquando il serbatoio del carburante con benzina pulita.

#### **PULIZIA**

Utilizzare un piccolo pennello morbido per pulire l'esterno dell'unità. Non utilizzare detergenti forti. I detergenti per la casa che contengono oli aromatici come pino e limone e solventi come il cherosene possono danneggiare l'alloggiamento o la maniglia in plastica. Pulire l'umidità con un panno morbido. I denti e i parafranghi possono essere puliti con acqua utilizzando un tubo da giardino.

#### **ARCHIVIAZIONE**

##### **AVVISO:**

Non conservare mai l'unità con carburante nel serbatoio e lasciare sempre raffreddare l'unità prima dello stoccaggio. Conservare l'unità solo in aree asciutte e ben ventilate.

Nel caso in cui l'unità venga conservata per un periodo di tempo prolungato, utilizzare la seguente pro-

cedura di archiviazione:

1. Scaricare tutto il carburante dal serbatoio del carburante.
2. Avviare il motore e consentirgli di funzionare fino a quando non si blocca. Ciò garantisce che tutto il carburante sia stato scaricato dal carburatore.
3. Sostituire l'olio motore con nuovo.
4. Sostituire l'olio del cambio con nuovo.
5. Sostituire l'olio del filtro dell'aria con nuovo, se il filtro dell'aria è di tipo bagno d'olio.
6. Rimuovere la candela e mettere 30 ml di olio motore di alta qualità nel cilindro. Tirare lentamente la corda di avviamento per distribuire l'olio. Reinstallare la candela.
7. Pulire accuratamente l'unità e ispezionare eventuali parti allentate o danneggiate. Riparare o sostituire le parti danneggiate e stringere viti, dadi o bulloni sciolti.
8. Lubrificare tutte le parti necessarie con un panno umido per evitare l'innescificazione della ruggine.

#### **PROTEZIONE DELL'AMBIENTE**

Riciclare le materie prime invece di smaltire come rifiuti. La macchina, gli accessori e l'imballaggio devono essere ordinati per un riciclaggio rispettoso dell'ambiente. I componenti in plastica sono etichettati per il riciclaggio classificato.

Smaltire l'olio motore usato e i contenitori in modo compatibile con l'ambiente. Ti consigliamo di prenderlo in un contenitore sigillato al tuo centro di riciclaggio locale o alla stazione di servizio per la bonifica. Non gettarlo nella spazzatura, versarlo a terra o versarlo in uno scarico.

#### **GARANZIA**

Questo prodotto è garantito in conformità con le normative legali / nazionali specifiche, a partire dalla data di acquisto da parte del primo utente. I danni attribuibili alla normale usura, sovraccarico o manipolazione impropria saranno esclusi dalla garanzia. In caso di reclamo, si prega di inviare la macchina, completamente assemblata, al proprio rivenditore o al centro di assistenza ufficiale.

## ΕΛΛΗΝΙΚΑ

### ΓΕΝΙΚΕΣ ΠΡΟΕΙΔΟΠΟΙΗΣΕΙΣ ΑΣΦΑΛΕΙΑΣ

Διαβάστε και κατανοήστε αυτό το εγχειρίδιο κατόχου προτού θέσετε σε λειτουργία το παρόν μηχανήμα. Μπορείτε να αποφύγετε ατυχήματα αν είστε εξοικειωμένοι με τα χειριστήρια του προϊόντος και τηρώντας τις ασφαλείς διαδικασίες λειτουργίας και τα σήματα ασφαλείας. Χρησιμοποιείτε πάντα κοινή λογική σκέψη ώστε να αποφύγετε να βρεθείτε σε κατάσταση πέρα των δυνατοτήτων σας. Μη χρησιμοποιείτε το προϊόν όταν είστε κουρασμένοι ή υπό την επήρεια ναρκωτικών, αλκοόλ ή άλλων φαρμακευτικών σκευασμάτων. Κρατείστε παρευριστικούς και ζώα που θα μπορούσαν να τραυματιστούν, όπως και αντικείμενα που στα οποία θα μπορούσε να προκληθεί βλάβη, μακριά κατά τη λειτουργία του μηχανήματος. Μην επιτρέψετε σε παιδιά ή όσους δεν είναι εξοικειωμένοι με τις οδηγίες χρήσης να χρησιμοποιήσουν το μηχανήμα. Η τοπική νομοθεσία είναι πιθανόν να ορίζει κατάλληλη ηλικία χρήστη. Πάντα να θυμάστε πως ο χειριστής ή χρήστης είναι υπεύθυνος για ατυχήματα ή απρόσμενα γεγονότα που τυχόν προκληθούν σε άλλους ανθρώπους, ζώα ή την περιουσία τους. Μην εκθέτετε το προϊόν σε υπερβολική υγρασία, σκόνη, βρωμιά ή διαβρωτικούς ατμούς. Μην προσαρμόζετε στο μηχανήμα εξοπλισμό ή αξεσουάρ που μη εγκεκριμένα από τον κατασκευαστή. Ποτέ μην επιχειρήσετε να τροποποιήσετε το προϊόν. Μη εξουσιοδοτημένες τροποποιήσεις ή αξεσουάρ μπορεί να οδηγήσουν σε σοβαρό τραυματισμό ή θάνατο του χειριστή ή άλλων. Συμβουλευτείτε τον εξουσιοδοτημένο αντιπρόσωπό σας για αποσυρμολόγηση και επισκευή, που δεν καλύπτεται σε αυτό το εγχειρίδιο. Εάν κάτι σπάσει ή συμβεί ατύχημα κατά τη διάρκεια της εργασίας, απενεργοποιήστε αμέσως το μηχανήμα και μετακινήστε το για να αποφύγετε περαιτέρω ζημιές. Σε περίπτωση που ένα ξένο σώμα εισέλθει στο μηχανήμα, σταματήστε το αμέσως, επιθεωρήστε το για τυχόν ζημιές και πραγματοποιήστε επισκευές προτού το ξαναρχίσετε.

### ΠΡΟΣΤΑΤΕΥΤΙΚΟΣ ΕΞΟΠΛΙΣΜΟΣ

Να χρησιμοποιείτε πάντα σχετικό και εγκεκριμένο προστατευτικό εξοπλισμό όταν χρησιμοποιείτε το μηχανήμα. Να φοράτε πάντα ρουχισμό που δεν περιορίζει τις κινήσεις σας, προστατευτικά γάντια, γυαλιά, μάσκα αναπνοής, προστατευτικό εξοπλισμό ακοής και μπότες προστασίας με σόλες υψηλής πρόσφυσης. Να μην φοράτε κασκόλ, κολιέ ή οποιαδήποτε αξεσουάρ που κρέμεται ή περισεύει και θα μπορούσε να παγιδευτεί στο μηχανήμα. Μαζέψτε τα μαλλιά σας αν είναι μακριά.

### ΚΙΝΔΥΝΟΙ ΔΗΛΗΤΗΡΙΑΣΗΣ

Λειτουργείτε μόνο σε εξωτερικούς και καλά αεριζόμενους χώρους. Όταν λειτουργεί ο κινητήρας, παράγει δηλητηριώδες μονοξείδιο του άνθρακα, ένα άοσμο και άχρωμο αέριο. Η εισπνοή μονοξειδίου του άνθρακα θα προκαλέσει ναυτία, λιποθυμία ή θάνατο. Μην λειτουργείτε το μηχανήμα σε περιορισμένο χώρο όπου μπορεί να αναπτυχθούν επικίνδυνοι καπνοί μονοξειδίου του άνθρακα ή κοντά σε ανοιχτά παράθυρα.

Το καύσιμο και το λάδι είναι εξαιρετικά τοξικά. Μην εισπνέετε τις αναθυμιάσεις εξάτμισης του καυσίμου και να φοράτε πάντα κατάλληλο προστατευτικό εξοπλισμό όταν χειρίζεστε. Να αποθηκεύετε πάντα καύσιμο και λάδι σε εγκεκριμένα δοχεία και να απορρίπτετε υπεύθυνα.

### ΚΙΝΔΥΝΟΙ ΠΡΟΚΛΗΣΗΣ ΠΥΡΚΑΓΙΑΣ ΚΑΙ ΕΓΚΑΥΜΑΤΟΣ

Ορισμένα μέρη του μηχανήματος θερμαίνονται αρκετά ώστε να αναφλέξουν εύφλεκτα υλικά. Μην το χρησιμοποιείτε σε περιοχές με υψηλό κίνδυνο πυρκαγιάς. Μην κατευθύνετε την έξοδο της εξάτμισης και, ως εκ τούτου, τα καυσαέρια προς εύφλεκτα υλικά.

Ορισμένα μέρη του μηχανήματος ζεσταίνονται αρκετά ώστε να προκαλέσουν εγκαύματα. Προσέξτε να μην τα αγγίξετε για να αποφύγετε να καείτε. Αφήστε το μηχανήμα να κρυσώσει πριν το αποθηκεύσετε.

Το καύσιμο και το λάδι είναι εύφλεκτα. Ακολουθήστε τις οδηγίες που παρέχονται από κάθε κατασκευαστή πριν από τη χρήση. Διατηρείτε πάντα μακριά πιθανές πηγές φωτιάς ή σπινθήρες. Μην καπνίζετε κοντά στο μηχανήμα ή κοντά σε καύσιμο και λάδι. Να ανεφοδιάζετε μόνο σε εξωτερικούς, καλά αεριζόμενους χώρους, με τον κινητήρα σβηστό. Ανοίξτε αργά το ρεζερβουάρ καυσίμου για να επιτρέψετε στην πίεση στο εσωτερικό να μειωθεί σταδιακά. Μην γεμίζετε υπερβολικά το ρεζερβουάρ καυσίμου. Βεβαιωθείτε ότι υπάρχει κάποια απόσταση μεταξύ οποιουδήποτε δοχείου αναπλήρωσης καυσίμου και της μονάδας, για να αποφύγετε περριτούς κινδύνους. Βεβαιωθείτε ότι έχετε καθαρίσει τυχόν χυμένο καύσιμο και λάδι πριν ξεκινήσετε τον κινητήρα.

Σε περίπτωση πυρκαγιάς, χρησιμοποιήστε έναν κατάλληλο πυροσβεστήρα ειδικά σχεδιασμένο για φωτιά λαδιού και καυσίμου.

### ΠΡΟΕΙΔΟΠΟΙΗΣΕΙΣ ΑΣΦΑΛΕΙΑΣ ΚΑΤΗΓΟΡΙΑΣ

#### ΑΣΦΑΛΗΣ ΛΕΙΤΟΥΡΓΙΑ

Όλοι οι μοχλοί λειτουργίας του μηχανήματος πρέπει να μετακινούνται εύκολα μεταξύ των θέσεών τους και να μη χρειάζεται πίεση. Οι μοχλοί λειτουργίας του συμπλέκτη και της όπισθεν (όπου διατίθεται) πρέπει να επιστρέφουν αυτόματα και άμεσα στην ουδέτερη θέση τους. Τα ηλεκτρικά καλώδια και ειδικά το καλώδιο του μπουζί πρέπει να είναι σε άριστη κατάσταση για αποφυγή σπινθήρων και το ηπίνα του μπουζί πρέπει να είναι ορθά τοποθετημένη στο μπουζί. Οι χειρολαβές και οι προστασίες του μηχανήματος πρέπει να είναι καθαρές, στεγνές και επαρκώς σφιγμένες στις θέσεις τους στο μηχανήμα.

Πάντα να ελέγχετε για αντικείμενα που ενδέχεται να μπλοκάρουν την εισαγωγή αέρα πριν αρχίσετε να εργάζεστε. Μια φραγμένη εισαγωγή αέρα μειώνει την απόδοση του μηχανήματος και αυξάνει τη θερμοκρασία λειτουργίας του κινητήρα, η οποία μπορεί να οδηγήσει σε βλάβη του κινητήρα.

Βεβαιωθείτε ότι έχετε σταματήσει τον κινητήρα:  
► Όταν προσαρμόζετε ή αφαιρείτε αξεσουάρ.

- ▶ Όταν μετακινείτε μεταξύ θέσεων εργασίας ή πάνω από διαδρόμους και εμπόδια στο έδαφος.
- ▶ Όποτε αφήνετε το μηχάνημα χωρίς επίβλεψη.
- ▶ Κατά τον ανεφοδιασμό.
- ▶ Κατά τον καθαρισμό ή τη συντήρηση.
- ▶ Κατά την μεταφορά.
- ▶ Πριν την αποθήκευση.

### ΚΙΝΔΥΝΟΙ ΠΕΡΙΣΤΡΕΦΟΜΕΝΩΝ ΜΕΡΩΝ

Τα περιστρεφόμενα μέρη μπορεί να προκαλέσουν σοβαρό τραυματισμό. Αποφύγετε να έρθετε σε επαφή με τα περιστρεφόμενα μέρη όταν βρίσκονται ακόμη σε περιστροφή. Να μη βάζετε ποτέ τα χέρια ή τα πόδια σας κάτω από το σασί του σκαπτικού ή κοντά στον εξοπλισμό φρεζαρίσματος όταν ο κινητήρας λειτουργεί και να περπατάτε πάντα πίσω από το σκαπτικό. Ποτέ μη λειτουργείτε τον κινητήρα χωρίς το προστατευτικό κάλυμμα του τα μέρη (όπου είναι διαθέσιμο).

### ΚΙΝΔΥΝΟΙ ΘΟΥΡΥΒΟΥ ΚΑΙ ΔΟΝΗΣΕΩΝ

Τα επίπεδα θορύβου και δονήσεων που αναφέρονται στις οδηγίες χρήσης είναι τα μέγιστα για τη χρήση του μηχανήματος. Μη επαρκής συντήρηση έχει σημαντικό αντίκτυπο στις εκπεμπόμενες δονήσεις και στο θόρυβο. Επομένως, είναι απαραίτητο να λαμβάνετε προληπτικά μέτρα για να εξαλείψετε πιθανό κίνδυνο λόγω υψηλού επιπέδου δονήσεων ή θορύβου. Να διατηρείται το μηχάνημα σε καλή κατάσταση, να φοράτε προστασία ακοής, γάντια προστασίας από τις δονήσεις και να κάνετε διαλείμματα κατά την εργασία. Το να λειτουργείτε το μηχάνημα σε σταθερή ταχύτητα και να κρατάτε τα χέρια στενά με καλή και επαρκή δύναμη λαβή μπορεί να ελαττώσει το επίπεδο δονήσεων. Κατά τη διάρκεια μιας μέρας εργασίας, θα πρέπει να κάνετε συχνά και επαρκή διαλείμματα για να αποφύγετε τυχόν ζημιά λόγω δονήσεων και βλάβη ακοής. Παρατεταμένη έκθεση σε δονήσεις μπορεί να προκαλέσει τραυματισμούς και νεύρο-αγγειακές διαταραχές, ειδικά σε άτομα που πάσχουν από διαταραχές του κυκλοφοριακού. Τα συμπτώματα μπορεί να αφορούν τα χέρια, τους καρπούς και τα δάχτυλα και εμφανίζονται μέσω απώλειας ευαισθησίας, νέκρωσης αίσθησης, κνησμό, πόνο και αποχρωματισμό ή δομικές αλλαγές του δέρματος. Τα παραπάνω μπορεί να επιδεινωθούν υπό χαμηλές περιβαλλοντολογικές συνθήκες ή όταν πιάνετε τις χειρολαβές υπερβολικά σφιχτά. Εάν εμφανιστούν τα συμπτώματα, ο χρόνος που χρησιμοποιείται το μηχάνημα πρέπει να μειωθεί και να συμβουλευτείτε έναν γιατρό.

### ΚΙΝΔΥΝΟΙ ΣΧΕΤΙΚΟΙ ΜΕ ΤΗΝ ΠΕΡΙΟΧΗ ΕΡΓΑΣΙΑΣ

Επιθεωρήστε διεξοδικά ολόκληρο το χώρο εργασίας και χρησιμοποιήστε μια τσουγκράνα ή σκούπα για να χαλαρώσετε τυχόν υπολείμματα και να αφαιρέσετε οτιδήποτε μπορεί να εκτοξευτεί από το μηχάνημα, να αποτελέσει πηγή κινδύνου ή να προκαλέσει βλάβη στο μηχάνημα εάν περάσει από πάνω του (πέτρες, κλαδιά, σύρμα, κόκκαλα, κτλ.). Ελέγξτε ότι δεν υπάρχουν παρειρισκόμενοι, κατοικίδια ζώα ή αντικείμενα που θα μπορούσαν να υποστούν ζημιά σε απόσταση τουλάχιστον 15m του εύρους εργασίας του μηχανήματος.

Εργαστείτε μόνο κατά τη διάρκεια της ημέρας ή με καλό τεχνητό φως σε καλές συνθήκες ορατότητας. Προσπαθήστε να μην προκαλέσετε αναταραχή λόγω θορύβου, χρησιμοποιώντας το μηχάνημα μόνο σε λογικές ώρες της ημέρας. Διατηρείτε γερή και καλής ισορροπίας θέση εργασίας. Όπου είναι δυνατόν, αποφύγετε να εργάζεστε σε υγρό, ολισθηρό έδαφος ή σε κάθε περίπτωση σε ανώμαλο ή απότομο έδαφος που δεν εγγυάται σταθερότητα για τον χειριστή.

### ΕΝΑΠΟΜΕΙΝΑΝΤΕΣ ΚΙΝΔΥΝΟΙ

Το μηχάνημα κατασκευάστηκε χρησιμοποιώντας σύγχρονη τεχνολογία και σύμφωνα με αναγνωρισμένους κανόνες ασφαλείας. Ακόμη και όταν εφαρμόζονται όλα τα μέτρα ασφαλείας, ενδέχεται να υπάρχουν ορισμένοι εναπομείναντες κίνδυνοι, οι οποίοι δεν είναι ακόμη εμφανείς. Ο χειριστής πρέπει να χρησιμοποιεί την κοινή λογική και να λαμβάνει τις απαραίτητες προφυλάξεις για να αποφύγει τον κίνδυνο λόγω τυχόν εναπομεινάντων κινδύνων.

### ΠΡΟΔΙΑΓΡΑΦΕΣ ΠΡΟΪΟΝΤΟΣ

#### ΠΡΟΒΛΕΠΟΜΕΝΗ ΧΡΗΣΗ

Το παρόν μηχάνημα έχει σχεδιαστεί και κατασκευαστεί για την προετοιμασία του εδάφους για καλλιέργεια μέσω φρεζαρίσματος, πχ. σε θερμοκήπια, οπωρώνες, κήπους. Επιπλέον, αφού εξοπλιστεί με σχετικές συσκευές και εργαλεία, μπορεί να χρησιμοποιηθεί για άλλες εφαρμογές όπως αυλάκωση, σκάψιμο, εξαγωγή πατάτας κτλ. Κάθε διαφορετική χρήση από τις παραπάνω αναφερόμενες θα μπορούσε να είναι επικίνδυνη, να προκαλέσει βλάβη σε ανθρώπους ή/ και ζημιά σε υλικά και το μηχάνημα.

#### ΜΗ ΠΡΟΒΛΕΠΟΜΕΝΗ ΧΡΗΣΗ

Το μηχάνημα δεν πρέπει να χρησιμοποιηθεί για να φρεζάρτε επιβλαβή υλικά, πχ. εύφλεκτα ή εκρηκτικά είδη, καυτές χόβολες ή υλικά καύσης χωρίς φλόγα, αναμμένα τσιγάρα, κομμάτια γυαλιού, μεταλλικά αντικείμενα, πέτρες και τυχόν άλλα αντικείμενα που θα μπορούσαν να είναι επικίνδυνα για το μηχάνημα καθώς και για τον χειριστή, παρειρισκόμενους, ζώα ή περιουσίες. Άλλα παραδείγματα μη προβλεπόμενης χρήσης μπορεί να περιλαμβάνουν, αλλά δεν περιορίζονται στη χρήση του μηχανήματος:

- ▶ Χωρίς γνήσια εξαρτήματα που παρέχονται από τον κατασκευαστή.
- ▶ Με γνήσια εξαρτήματα αλλά με τρόπο που δεν είναι σύμφωνα με τις οδηγίες.
- ▶ Χωρίς γνήσια ανταλλακτικά.
- ▶ Με μη εξουσιοδοτημένες τροποποιήσεις.
- ▶ Από περισσότερα από ένα άτομα.

### ΤΕΧΝΙΚΑ ΧΑΡΑΚΤΗΡΙΣΤΙΚΑ ΣΕΛΙΔΑ 75

#### ΤΑΥΤΟΠΟΙΗΣΗ ΜΕΡΩΝ (ΕΙΚ. 1)

1. Μοχλός συμπλέκτη
2. Εξάτμιση



3. Δοχείο καυσίμου
4. Φίλτρο αέρα
5. Χειρόμια
6. Φρέζα
7. Λασπωτήρας
8. Κιβώτιο ταχυτήτων
9. Οδηγός ρύθμισης βάθους
10. Μοχλός ταχυτήτων
11. Μοχλός ρύθμισης ύψους τιμονιού
12. Μοχλός όπισθεν
13. Μοχλός γκαζιού
14. Διακόπτης ON / OFF

## ΛΕΙΤΟΥΡΓΙΑ

### ΠΡΟΕΤΟΙΜΑΖΟΝΤΑΣ ΤΟ ΜΗΧΑΝΗΜΑ

Η αποσυσκευασία και η συναρμολόγηση πρέπει να γίνονται σε επίπεδη και σταθερή επιφάνεια, με επαρκή χώρο για τη μετακίνηση του μηχανήματος και της συσκευασίας του και με τη χρήση κατάλληλου εξοπλισμού. Η συναρμολόγηση θα πρέπει να γίνεται από εκπαιδευμένο προσωπικό στον κοντινότερο σε εσάς αντιπρόσωπο, όπου απαιτείται.

### Οδηγός ρύθμισης βάθους

Αφαιρέστε την ασφάλεια (Εικ. 2.1) και τον πείρο (Εικ. 2.2) από τη ράβδο σύνδεσης (Εικ. 2.3). Τοποθετήστε τον οδηγό ρύθμισης βάθους (Εικ. 2.4) στη ράβδο σύνδεσης και συναρμολογήστε τα μαζί χρησιμοποιώντας τον πείρο και την ασφάλεια. Τοποθετήστε το συγκρότημα (Εικ. 3.4) στη θέση του στο κύριο σώμα του σκαπτικού (Εικ. 3.2) και ασφαλίστε με τον πείρο ασφαλείας (Εικ. 3.3).

### Φρέζα

Οι φρέζα (Σχ. 1.6) αποτελείται από τρία σετ τεσσάρων λεπίδων (συνολικά δώδεκα λεπίδες) και έναν πλευρικό δίσκο για κάθε πλευρά. Κάθε πλαίσιο τμήμα φρέζας είναι συνήθως προ-συναρμολογημένο στο εργοστάσιο και έτοιμο να τοποθετηθεί στο μηχανήμα. Σε περίπτωση που απαιτείται συναρμολόγηση των φρεζών, προτείνουμε η εργασία να εκτελείται μόνο από εκπαιδευμένο προσωπικό στον κοντινότερο σε εσάς αντιπρόσωπο. Για τη συναρμολόγηση της δεξιάς πλευράς (Εικ. 3.1) στο σκαπτικό, γείρετε προσεκτικά το μηχανήμα προς τα αριστερά, τοποθετήστε τη φρέζα στον άξονα της εξόδου (Εικ. 3.7) και ασφαλίστε τη στη θέση της με τον παρεχόμενο πείρο (Εικ. 3.9) και την ασφάλεια (Εικ. 3.8). Για τη συναρμολόγηση της αριστερής πλευράς (Εικ. 3.5) στο σκαπτικό, γείρετε προσεκτικά το μηχανήμα προς τα δεξιά, τοποθετήστε τη φρέζα στον άξονα της εξόδου και ασφαλίστε τη στη θέση της με τον παρεχόμενο πείρο και την ασφάλεια.

### Λασπωτήρας

Βεβαιωθείτε ότι τα φτερά προστασίας των φρεζών (Εικ. 1.7) είναι συναρμολογημένα με ασφάλεια στη θέση τους. Εάν οι λασπωτήρες δεν έχουν συναρμολογηθεί από τον κατασκευαστή, χρησιμοποιήστε τα παρεχόμενα παξιμάδια, τις βίδες και τον αποστάτη για τη συναρμολόγηση του αριστερού και του δεξιού φτερού.

### Τιμόνι

Συναρμολογήστε το σωλήνα σύνδεσης (Εικ. 4.1) στη θέση του στο κιβώτιο ταχυτήτων (Εικ. 4.2) με τις τέσσερις παρεχόμενες βίδες. Συναρμολογήστε το τιμόνι (Εικ. 5.3) στο σωλήνα σύνδεσης (Εικ. 5.2) και σφίξτε το μοχλό ρύθμισης ύψους τιμονιού (Εικ. 5.1) για να ασφαλίσετε το τιμόνι στη θέση του.

### Ρύθμιση ύψους τιμονιού

Μπορείτε να ρυθμίσετε το ύψος του τιμονιού χαλαρώνοντας το μοχλό ρύθμισης ύψους τιμονιού (Εικ. 1.11), ρυθμίζοντας τη γωνία του τιμονιού όπως επιθυμείτε (συνιστάται το ύψος της μέσης σας) και σφίγγοντας ξανά το μοχλό στη θέση του.

### Μοχλός ταχυτήτων

Τοποθετήστε το μοχλό ταχυτήτων (Εικ. 6.2) στη θέση του περνώντας τον μέσα από το στήριγμα (Εικ. 6.1) στο σωλήνα σύνδεσης του τιμονιού, καταλήγοντας στο μοχλικό αλλαγής ταχυτήτων (Εικ. 6.3) και ασφαλίστε με τη ροδέλα και την ασφάλεια.

### Καλώδια συμπλέκτη, όπισθεν και γκαζιού

Η εγκατάσταση τυχόν καλωδίων συμπλέκτη, όπισθεν ή γκαζιού, που δεν έχουν ήδη συναρμολογηθεί από τον κατασκευαστή, πρέπει να πραγματοποιείται μόνο από εκπαιδευμένο προσωπικό στον κοντινότερο σε εσάς αντιπρόσωπο.

## ΠΛΗΡΩΣΗ ΚΑΥΣΙΜΟΥ ΚΑΙ ΛΙΠΑΝΤΙΚΟΥ

### ΠΡΟΕΙΔΟΠΟΙΗΣΗ:

Το μηχανήμα παραδίδεται χωρίς λάδι και καύσιμο.

Το παρόν προϊόν είναι εξοπλισμένο με 4-χρονο κινητήρα που σημαίνει πως πρέπει να χρησιμοποιηθεί βενζίνη στο δοχείο καυσίμου και πως ο κινητήρας πρέπει να γεμίσει με λάδι. Επιπλέον, το σκαπτικό φέρει κιβώτιο ταχυτήτων, που πρέπει επίσης να λιπαίνεται από λάδι.

### ΣΗΜΕΙΩΣΗ:

Να χρησιμοποιείτε κωνί για να αποφύγετε να χυθεί το καύσιμο ή το λάδι.

Προδιαγραφές καυσίμου: Αμόλυβδη βενζίνη 90 και πλέον οκτανίων

### ΠΡΟΣΟΧΗ:

Να χρησιμοποιείτε πάντοτε καθαρό δοχείο για την αποθήκευση επιπλέον καυσίμου και να μη χρησιμοποιείτε καύσιμο που έχει αποθηκευτεί για περισσότερο του ενός μηνός.

Προδιαγραφές λαδιού: Να χρησιμοποιείται μόνο λάδι κινητήρα που πληρεί τις απαιτήσεις API service κατηγορίας SF ή υψηλότερης. Για γενική χρήση (5°C - 38°C) συνιστάται να χρησιμοποιείτε λάδι SAE 10W-40 (Εικ. 10).

Για να γεμίσετε τον κινητήρα με καύσιμο:

1. Αφαιρέστε την τάπα του δοχείου καυσίμου (Εικ. 7.1).
2. Προσθέστε καύσιμο μέχρι το άνω επίπεδο του ρεζερβουάρ καυσίμου. Αφήστε τουλάχιστον 5mm χώρο μεταξύ της κορυφής του καυσίμου και του εσωτερικού άκρου του ρεζερβουάρ για να επιτρέψετε τυχόν διαστολή. Το μισό μήκος (Εικ. 7.3) του φίλτρου της τάπας καυσίμου (Εικ.

7.2) μπορεί επίσης να λειτουργήσει ως ένδειξη ανώτατης στάθμης καυσίμου, όπου υπάρχει.

3. Τοποθετήστε την τάπα του δοχείου καυσίμου πίσω στη θέση της και σφίξτε επαρκώς.

Για να γεμίσετε τον κινητήρα με λάδι:

1. Αφαιρέστε την τάπα πλήρωσης λαδιού (Εικ. 8.3) από το λαμό πλήρωσης λαδιού κινητήρα (Εικ. 8.2). Το κάτω μέρος της είναι ο δείκτης στάθμης λαδιού.
2. Προσθέστε σταδιακά αρκετό λάδι για να φέρετε τη στάθμη λαδιού μεταξύ του άνω (Εικ. 8.4) και του κάτω ορίου (Εικ. 8.5) στο δείκτη στάθμης λαδιού. Η μέτρηση πρέπει να γίνεται με το δείκτη στάθμης λαδιού τοποθετημένο, αλλά όχι βιδωμένο, στο λαμό πλήρωσης.
3. Επανατοποθετήστε την τάπα πλήρωσης λαδιού και σφίξτε κατάλληλα.

Για να γεμίσετε το κιβώτιο ταχυτήτων με λάδι:

1. Αφαιρέστε την τάπα πλήρωσης λαδιού από το λαμό πλήρωσης λαδιού του κιβωτίου (Εικ. 1.8). Το κάτω μέρος της είναι ο δείκτης λαδιού.
2. Προσθέστε σταδιακά αρκετό λάδι για να φέρετε τη στάθμη λαδιού μεταξύ του άνω (Εικ. 9.1) και του κάτω (Εικ. 9.2) ορίου στο δείκτη λαδιού.
3. Επανατοποθετήστε την τάπα πλήρωσης λαδιού και σφίξτε κατάλληλα.

Για να γεμίσετε το φίλτρο αέρα με λάδι (ισχύει μόνο για φίλτρο αέρα τύπου σε λάδι):

1. Αφαιρέστε το κάλυμμα φίλτρου αέρα (Εικ. 11.1) και το στοιχείο φίλτρου αέρα (Εικ. 11.2) από το φίλτρο αέρα (Εικ. 1.4).
2. Προσθέστε σταδιακά αρκετό λάδι για να φέρετε τη στάθμη λαδιού στο ανώτερο όριο της ένδειξης στάθμης λαδιού.
3. Επανατοποθετήστε το στοιχείο φίλτρου αέρα.
4. Επανατοποθετήστε το κάλυμμα του φίλτρου αέρα και σφίξτε κατάλληλα.

#### ΠΡΟΣΟΧΗ:

Σκουπίστε τυχόν χυμένο καύσιμο και λάδι πριν εκκινήσετε τον κινητήρα.

#### ΕΚΚΙΝΩΝΤΑΣ ΤΟ ΜΗΧΑΝΗΜΑ

Προτού εκκινήσετε το μηχανήμα:

1. Βεβαιωθείτε ότι τόσο το μηχανήμα όσο και εσείς είστε σε σταθερό έδαφος.
2. Ελέγξτε πως όλα τα στοιχεία σύσφιξης είναι ασφαλισμένα στις θέσεις τους.
3. Προτοιμάστε τα εξαρτήματα και σιγουρευτείτε πως είναι ορθά τοποθετημένα.
4. Ελέγξτε πως το φίλτρο αέρα είναι καθαρό και πως η εισαγωγή αέρα δεν είναι κλειστέα από τυχόν ένοτα σώματα.
5. Γεμίστε με την απαιτούμενη ποσότητα λαδιού και καυσίμου.
6. Βεβαιωθείτε ότι ο μοχλός συμπλέκτη (Εικ. 1.1) έχει απεμπλακεί και ότι ο μοχλός ταχυτήτων (Εικ. 1.10) είναι στη νεκρά, για να αποφύγετε την ανεξέλεγκτη κίνηση του σκαπτικού.

Για να ξεκινήσετε το μηχανήμα:

1. Μετακινήστε το μοχλό καυσίμου (Εικ. 12.2) στη θέση "ON".
2. Μετακινήστε το μοχλό τσοκ (Εικ. 12.1) στη θέση "ON".

#### ΣΗΜΕΙΩΣΗ:

Αυτό το βήμα ισχύει μόνο για κρύα εκκίνηση

του κινητήρα. Όταν ο κινητήρας είναι ήδη ζεστός ή η θερμοκρασία περιβάλλοντος είναι υψηλή, ο μοχλός τσοκ πρέπει να βρίσκεται πάντα στη θέση "OFF".

3. Μετακινήστε το διακόπτη ON / OFF (Εικ. 1.14) στη θέση "ON" (Εικ. 16).
4. Μετακινήστε το μοχλό γκαζιού (Εικ. 1.13) στη θέση «L» (χαμηλή ταχύτητα) (Εικ. 13).
5. Πιάστε σταθερά το τιμόνι του μηχανήματος με το αριστερό σας χέρι και τη χειρόμυξα του κινητήρα με το δεξί σας χέρι (Εικ. 14). Τραβήξτε τη χειρόμυξα έως ότου αισθανθείτε αντίσταση για να φέρετε τον κινητήρα σε συμπίεση και μετά τραβήξτε δυναμικά για να εκκινήσετε τον κινητήρα.

#### ΠΡΟΣΟΧΗ:

Για να μην σπάσετε το σοκίτι της μίζας, μην χρησιμοποιείτε ολόκληρο το μήκος του ή το αφήνετε να γλιστρήσει κατά μήκος της άκρης της οπής οδηγού του. Απελευθερώστε σταδιακά τη χειρόμυξα, για να αποφύγετε να επιστρέψει στην θέση του ανεξέλεγκτα.

6. Καθώς ο κινητήρας θερμαίνεται, μετακινήστε σταδιακά το μοχλό τσοκ στη θέση "OFF", εάν πραγματοποιήσατε κρύα εκκίνηση.

#### ΣΗΜΕΙΩΣΗ:

Για μέγιστη απόδοση και αξιοπιστία, αφήστε τον κινητήρα να ζεσταθεί πριν από τη λειτουργία. Λειτουργήστε τον κινητήρα για δύο έως τρία λεπτά με ταχύτητα ρελαντί.

#### ΛΕΙΤΟΥΡΓΩΝΤΑΣ ΤΟ ΜΗΧΑΝΗΜΑ

##### Μοχλός συμπλέκτη

Τραβήξτε το μοχλό του συμπλέκτη (Εικ. 15.1) προς το τιμόνι (Εικ. 15.Β) και κρατήστε το στη θέση του για να προωθηθεί το μηχανήμα σύμφωνα με την επιλεγμένη ταχύτητα. Αφήστε σταδιακά το μοχλό του συμπλέκτη να επιστρέψει στην ουδέτερη θέση του (Εικ. 15.Α) για να σταματήσει να κινείται το μηχανήμα..

#### ΠΡΟΣΟΧΗ:

Ο μοχλός συμπλέκτη πρέπει να απελευθερωθεί πριν χρησιμοποιηθεί ο μοχλός ταχυτήτων.

##### Μοχλός όπισθεν

Μετακινήστε το μοχλό ταχυτήτων στη θέση "R" (όπισθεν). Με το δεξί σας χέρι τραβήξτε το μοχλό της όπισθεν προς το τιμόνι για να εμπλέξετε την όπισθεν και διατηρήστε σε αυτή τη θέση. Έπειτα, με το αριστερό σας χέρι τραβήξτε το μοχλό του συμπλέκτη προς το τιμόνι και κρατήστε το σε αυτή τη θέση για να προωθηθεί το σκαπτικό προς τα πίσω. Αφήστε σταδιακά τον συμπλέκτη να επιστρέψει στην ουδέτερη θέση του για να σταματήσετε την κίνηση του σκαπτικού.

#### ΠΡΟΣΟΧΗ:

Ο μοχλός της όπισθεν πρέπει να ελευθερώνεται προτού χειριστείτε το μοχλό ταχυτήτων. Ο μοχλός της όπισθεν δεν πρέπει ποτέ να χρησιμοποιείται όταν ο μοχλός ταχυτήτων είναι σε οποιαδήποτε από τις ταχύτητες εμπρόσθιας κίνησης.

##### Μοχλός γκαζιού

Η επιθυμητή ταχύτητα του κινητήρα μπορεί να

ρυθμιστεί μετακινώντας το μοχλό στροφών λειτουργίας του κινητήρα μεταξύ των "H" και "L", για υψηλή και χαμηλή ταχύτητα αντίστοιχα (Εικ. 13).

#### ΠΡΟΣΟΧΗ:

Η ταχύτητα του κινητήρα πρέπει να μειωθεί στο ελάχιστο πριν χρησιμοποιηθεί ο συμπλέκτης.

#### Μοχλός ταχυτήτων

Μετακινήστε το μοχλό αλλαγής ταχυτήτων στην επιθυμητή θέση για να επιλέξετε τον τρόπο με τον οποίο θα προωθηθεί το σκαπτικό σας:

- ▶ "R" : όπισθεν ταχύτητα
- ▶ "0" : νεκρά ταχύτητα
- ▶ "1" : εμπρός ταχύτητα νούμερο ένα
- ▶ "2" : εμπρός ταχύτητα νούμερο δύο

#### ΣΗΜΕΙΩΣΗ:

Οι ταχύτητες "R" και "O" έχουν την ίδια θέση για το μοχλό ταχυτήτων.

#### ΣΗΜΕΙΩΣΗ:

Σε περίπτωση που ο μοχλός ταχυτήτων δεν εμπλακεί στην επιθυμητή ταχύτητα, σταματήστε τον κινητήρα. Στη συνέχεια, τραβήξτε το μοχλό του συμπλέκτη και μετακινήστε χειροκίνητα το σκαπτικό προς τα πίσω και προς τα εμπρός για να επανοποθετήσετε τα γρανάζια μέσα στο κιβώτιο ταχυτήτων.

#### ΣΤΑΜΑΤΩΝΤΑΣ ΤΟ ΜΗΧΑΝΗΜΑ

Για να σταματήσετε το μηχάνημα:

1. Μειώστε την ταχύτητα του κινητήρα μετακινώντας το μοχλό γκαζιού προς τη θέση "L".
2. Αφήστε το μοχλό του συμπλέκτη για να σταματήσετε την κίνηση του σκαπτικού.
3. Αφήστε το μοχλό της όπισθεν, εάν το σκαπτικό βρισκόταν σε όπισθεν λειτουργία.
4. Μετακινήστε το μοχλό ταχυτήτων στην νεκρά θέση.
5. Μετακινήστε το διακόπτη ON / OFF στη θέση "OFF".
6. Μετακινήστε το μοχλό καυσίμου στη θέση "OFF".

#### ΣΥΝΤΗΡΗΣΗ ΚΑΙ ΚΑΘΑΡΙΣΜΟΣ

#### ΠΡΟΣΟΧΗ:

Μην κάνετε ποτέ συντήρηση ή καθαρισμό με το μηχάνημα σε λειτουργία. Να εργάζεστε πάντα σε κρύο μηχάνημα. Πριν καθαρίσετε ή εκτελέσετε εργασίες συντήρησης, αποσυνδέστε το μπουζί και διαβάστε τις σχετικές οδηγίες. Φοράτε κατάλληλα ρούχα και προστατευτικά γάντια όποτε κινδυνεύουν τα χέρια σας.

Τυχόν προσαρμογές ή εργασίες συντήρησης που δεν περιγράφονται σε αυτό το εγχειρίδιο πρέπει να εκτελούνται από τον αντιπρόσωπό σας ή ένα εξειδικευμένο κέντρο σέρβις με τις απαραίτητες γνώσεις και εξοπλισμό για να διασφαλιστεί ότι η εργασία γίνεται σωστά διατηρώντας το αρχικό επίπεδο ασφαλείας του μηχανήματος. Τυχόν εργασίες που εκτελούνται σε μη εξουσιοδοτημένα κέντρα ή από μη εξουσιοδοτημένα άτομα θα ακυρώσουν πλήρως την εγγύηση και όλες τις υποχρεώσεις και ευθύνες του κατασκευαστή. Διατηρείτε όλα τα παζιμάδια και τις βίδες σφικτά για να βεβαιωθείτε ότι το μηχάνημα είναι πάντα σε ασφαλή κατάσταση λειτουργίας. Η τακτική συ-

ντήρηση είναι απαραίτητη για την ασφάλεια και για τη διατήρηση υψηλού επιπέδου επιδόσεων.

#### ΠΡΟΣΟΧΗ:

Μη χρησιμοποιείτε ποτέ το μηχάνημα με φθαρμένα ή κατεστραμμένα μέρη. Τα ελαττωματικά ή φθαρμένα εξαρτήματα πρέπει πάντα να αντικαθίστανται και να μην επισκευάζονται. Χρησιμοποιείτε μόνο γνήσια ανταλλακτικά.

#### ΠΡΟΓΡΑΜΜΑ ΣΥΝΤΗΡΗΣΗΣ

Συχνότητα		Πριν κάθε χρήση	Μετά τον 1ο μήνα ή τις πρώτες 5 ώρες χρήσης	Κάθε 3 μήνες ή 25 ώρες χρήσης	Κάθε 6 μήνες ή 50 ώρες χρήσης	Κάθε 12 μήνες ή 100 ώρες χρήσης
Μηχάνημα	Ελέγξτε οπτικά	✓				
	Ασφαλίστε σφικκτήρες	✓				
Χειριστήρια	Ελέγξτε	✓*				
Φρέζες και μαχαίρια	Ελέγξτε	✓*				
Λάδι κινητήρα	Ελέγξτε-Συμπληρώστε	✓				
	Αντικαταστήστε		✓		✓	
Λάδι κιβωτίου ταχυτήτων	Ελέγξτε-Συμπληρώστε	✓				
	Αντικαταστήστε					✓**
Συνδέσμοι	Λιπάνετε			✓		
Φίλτρο αέρα	Ελέγξτε-Καθαρίστε	✓*	✓*	✓*		
	Αντικαταστήστε					✓
Μπουζί	Ελέγξτε-Προσαρμόστε				✓*	
	Αντικαταστήστε					✓
Φίλτρο καυσίμου	Καθαρίστε			✓		
Σωληνες καυσίμου	Ελέγξτε					✓*
Καπάκι ιζημάτων καυσίμου	Καθαρίστε				✓	
Δάκενο βαλβίδων	Ελέγξτε-Προσαρμόστε					✓**

\* Αυτά τα αντικείμενα πρέπει να αντικαθίστανται αν απαιτείται.

\*\* Αυτές οι εργασίες πρέπει γίνονται μόνο από εξουσιοδοτημένους αντιπροσώπους που έχουν τα κατάλληλα εργαλεία και επάρκεια γνώσεων.

#### ΦΡΕΖΑ

Ελέγχετε περιοδικά τις φρέζες για φθορά ή ζημιά. Τα κατεστραμμένα εξαρτήματα πρέπει να αντικατασταθούν πριν λειτουργήσετε ξανά το σκαπτικό. Φθορά των μαχαριών της φρέζας επηρεάζει αρνητικά την απόδοση φρεζαρίσματος του μηχανήματος και θα πρέπει να αντικατασταθούν εάν απαιτείται.

## ΕΥΡΟΣ ΛΕΙΤΟΥΡΓΙΑΣ ΜΟΧΛΩΝ ΣΥΜΠΛΕΚΤΗ, ΟΠΙΣΘΕΝ ΚΑΙ ΓΚΑΖΙΟΥ

Μικρές ρυθμίσεις στις ήδη συναρμολογημένες ντιζες συμπλέκτη, όπισθεν και γκαζιού μπορούν να γίνουν χρησιμοποιώντας το περικόκλιο και τη βίδα τύπου ράβδου σε κάθε ντιζα στο πλάι του μοχλού. Εάν η διαδρομή δεν είναι σωστή, χαλαρώστε το παξιμάδι ασφάλισης και ρυθμίστε με ως προς το κενό λειτουργίας περιστρέφοντας τη βίδα ρύθμισης όπως απαιτείται. Όταν τελειώσετε, σφίξτε το παξιμάδι ασφάλισης και ελέγξτε ξανά για σωστή λειτουργία του μοχλού συμπλέκτη.

Μετά από οποιαδήποτε σχετική ρύθμιση, βεβαιωθείτε ότι οι μοχλοί συμπλέκτη, όπισθεν ή γκαζιού μετακινούνται από τη μια θέση στην άλλη χωρίς την ανάγκη υπερβολικής δύναμης και ότι τα μοχλικά συμπλέκτη, όπισθεν ή γκαζιού στο κιβώτιο ταχυτήτων ή στον κινητήρα αντίστοιχα μπορούν να λειτουργήσουν στο πλήρες εύρος τους.

### ΣΗΜΕΙΩΣΗ:

Συνιστάται αυτές οι προσαρμογές να πραγματοποιούνται μόνο από εκπαιδευμένο προσωπικό στον κοντινότερο σε εσάς αντιπρόσωπο, για να διασφαλιστούν τα αρχικά πρότυπα ασφαλείας του μηχανήματος.

### ΛΙΠΑΝΣΗ

#### ΠΡΟΣΟΧΗ:

Ο έλεγχος της στάθμης και η αλλαγή λαδιού πρέπει να γίνονται σε στερεά και επίπεδη επιφάνεια. Ο κινητήρας πρέπει να είναι πάντα σταματημένος. Εάν ο κινητήρας ήταν σε λειτουργία, θα είναι ζεστός και η διαδικασία πρέπει να γίνεται με προσοχή για να αποφευχθεί ο κίνδυνος εγκαύματος.

### ΣΗΜΕΙΩΣΗ:

Αποστραγγίστε το χρησιμοποιημένο λάδι ενώ ο κινητήρας είναι ζεστός. Το ζεστό λάδι αποστραγγίζεται γρήγορα και πλήρως.

### Λάδι κινητήρα

Για να ελέγξετε τη στάθμη λαδιού:

1. Αφαιρέστε την τάπα λαδιού από το λαιμό πλήρωσης λαδιού του κινητήρα.
2. Σκουπίστε το δείκτη στάθμης λαδιού.
3. Τοποθετήστε το δείκτη στάθμης λαδιού στο λαιμό πλήρωσης λαδιού, χωρίς να το βιδώσετε.
4. Αφαιρέστε το δείκτη στάθμης λαδιού και ελέγξτε την ένδειξη στάθμης που εμφανίζεται σε αυτόν. Εάν απαιτείται, γεμίστε με λάδι μεταξύ των άνω και κάτω ορίων του δείκτη λαδιού.
5. Τοποθετήστε την τάπα λαδιού στη θέση του και σφίξτε επαρκώς.

Για να αλλάξετε το λάδι:

1. Αφαιρέστε την τάπα λαδιού από το λαιμό πλήρωσης λαδιού του κινητήρα.
2. Τοποθετήστε κατάλληλο δοχείο κάτω από την τάπα εξαγωγής λαδιού (Εικ. 8.1) για να συλλέξετε το μεταχειρισμένο λάδι.
3. Αφαιρέστε την τάπα εξαγωγής λαδιού και επιτρέψτε στο λάδι να στραγγίξει πλήρως.
4. Τοποθετήστε την τάπα εξαγωγής λαδιού στη θέση του και σφίξτε επαρκώς.
5. Προσθέστε σταδιακά αρκετό λάδι για να φέ-

ρετε τη στάθμη λαδιού μεταξύ του άνω και του κάτω ορίου στο δείκτη στάθμης λαδιού.

6. Επανατοθετήστε την τάπα πλήρωσης λαδιού και σφίξτε κατάλληλα.

### ΣΗΜΕΙΩΣΗ:

Εάν ο κινητήρας λειτουργεί συχνά υπό συνθήκες αυξημένης σκόνης ή άλλες δυσμενείς συνθήκες, αλλάζετε το λάδι του κινητήρα κάθε 25 ώρες.

### ΠΡΟΣΟΧΗ:

Το να λειτουργείτε τον κινητήρα με χαμηλή στάθμη λαδιού θα προκαλέσει ζημιά σε αυτόν.

### Λάδι κιβωτίου ταχυτήτων

Για να ελέγξετε τη στάθμη λαδιού:

1. Αφαιρέστε την τάπα λαδιού από το λαιμό πλήρωσης λαδιού του κιβωτίου ταχυτήτων.
2. Ελέγξτε το επίπεδο λαδιού. Αν χρειάζεται, γεμίστε με λάδι μεταξύ των άνω και κάτω ορίων του δείκτη λαδιού.
3. Επανατοθετήστε την τάπα πλήρωσης λαδιού και σφίξτε κατάλληλα.

Για να αλλάξετε το λάδι:

Η εργασία αλλαγής του λαδιού του κιβωτίου ταχυτήτων θα πρέπει να γίνεται από τον κοντινότερο σας αντιπρόσωπο ή ένα εξειδικευμένο κέντρο συντήρησης με την απαραίτητη γνώση και εξοπλισμό.

### ΠΡΟΣΟΧΗ:

Το να λειτουργείτε το σκαπτικό με χαμηλή στάθμη λαδιού κιβωτίου ταχυτήτων θα προκαλέσει ζημιά σε αυτό.

### Λίπανση συνδέσμων

Λιπάνετε τους συνδέσμους κάθε δέκα ώρες λειτουργίας καθώς και πριν από την αποθήκευση για μεγάλα χρονικά διαστήματα με λάδι κινητήρα ή ένα καθαρό πανί νωπό με λάδι.

### ΦΙΛΤΡΟ ΑΕΡΟΣ

#### ΠΡΟΣΟΧΗ:

Το να λειτουργείτε τον κινητήρα χωρίς φίλτρο αέρα ή με φίλτρο αέρα με βλάβη, θα επιτρέψει την είσοδο βρωμιάς στο εσωτερικό του, προκαλώντας ταχεία φθορά του κινητήρα.

Για να ελέγξετε, καθαρίστε ή αντικαταστήσετε το φίλτρο αέρος (Εικ. 11):

1. Αφαιρέστε το κάλυμμα του φίλτρου αέρα.
2. Βεβαιωθείτε ότι το στοιχείο φίλτρου αέρα είναι απαλλαγμένο από ακαθαρσίες και σε καλή κατάσταση. Εάν είναι βρώμικο, αφαιρέστε το και καθαρίστε το.
  - Για να καθαρίσετε ένα στοιχείο φίλτρου αέρα αφρού πλύνετε το με απορρυπαντικό σπιτιού και ζεστό νερό και αφήστε το να στεγνώσει. Στη συνέχεια, βυθίστε το σε καθαρό λάδι κινητήρα και πιάστε απαλά ώστε να στραγγίξετε από το περίσσιο λάδι. Εάν απαιτείται, αντικαταστήστε το με ένα νέο.
  - Για να καθαρίσετε ένα στοιχείο φίλτρου αέρα χαρτί, καθαρίστε ελαφριά βρωμιά χτυπώντας το απαλά μερικές φορές σε σκληρή επιφάνεια και αντικαταστήστε εάν υπάρχει βαριά βρωμιά.
3. Καθαρίστε το εσωτερικό της θήκης του φίλτρου αέρα και το κάλυμμα από βρωμιά με ένα

μαλακό πανί. Εάν ο κινητήρας είναι εξοηλισμένος με φίλτρο αέρα τύπου σε λάδι, αντικαταστήστε το λάδι με νέο λάδι κινητήρα.

- Επανατοποθετήστε το στοιχείο φίλτρου αέρα και ακολουθήστε την αντίστροφη διαδικασία για να επανατοποθετήσετε το κάλυμμα του φίλτρου αέρα.

#### **ΠΡΟΣΟΧΗ:**

Μην καθαρίζετε ποτέ το φίλτρο αέρα με βενζίνη ή απορρυπαντικά χαμηλού σημείου ανάφλεξης για να αποφύγετε τον κίνδυνο πυρκαγιάς ή έκρηξης.

#### **ΣΗΜΕΙΩΣΗ:**

Εάν ο κινητήρας λειτουργεί συχνά υπό συνθήκες αυξημένης σκόνης ή άλλες δυσμενείς συνθήκες, καθαρίστε το στοιχείο φίλτρου αέρα κάθε 10 ώρες και αλλάξτε το λάδι του με καινούργιο. Εάν είναι απαραίτητο, αλλάξτε το στοιχείο φίλτρου αέρα κάθε 25 ώρες.

#### **ΜΠΟΥΖΙ**

Για να συντηρήσετε το μπουζί (Εικ. 17.1):

- Αφαιρέστε το καλώδιο μπουζί για να έχετε πρόσβαση στο μπουζί.
- Χρησιμοποιήστε ένα κατάλληλο εργαλείο μπουζί (Εικ. 17.2) για να αφαιρέσετε προσεκτικά το μπουζί.
- Επιθεωρήστε την κατάσταση του μπουζί και του ηλεκτροδίου του. Πρέπει να είναι καθαρό και να μην είναι φθαρμένο. Ελέγξτε ότι το διάκενο μπουζί κυμαίνεται μεταξύ 0,7 και 0,8 mm (Εικ. 17). Αν χρειάζεται, αντικαταστήστε το μπουζί με ένα νέο.
- Βιδώστε προσεκτικά το μπουζί στον κινητήρα με το χέρι.
- Αφού βιδώσετε μερικές σπείρες, χρησιμοποιήστε το κατάλληλο εργαλείο μπουζί για να σφίξετε σταθερά το μπουζί, προσέχοντας να μην χρησιμοποιήσετε υπερβολική δύναμη ώστε να βλάψετε το σπείρωμα.
- Επανασυνδέστε το καλώδιο του μπουζί.

#### **ΠΡΟΣΟΧΗ:**

Μην αφήνετε ποτέ βρωμιά ή υπολείμματα να εισέλθουν στον κύλινδρο. Πριν αφαιρέσετε το μπουζί, καθαρίστε προσεκτικά τόσο το μπουζί όσο και την περιοχή της κύλινδρο-κεφαλής.

#### **ΚΑΠΑΚΙ ΙΖΗΜΑΤΩΝ ΚΑΥΣΙΜΟΥ**

##### **ΠΡΟΣΟΧΗ:**

Συντηρείτε το καρμπυρατέρ μόνο σε εξωτερικούς και καλά αεριζόμενους χώρους.

Για να συντηρήσετε το καπάκι ιζημάτων καυσίμου:

- Γυρίστε το μοχλό καυσίμου στη θέση "OFF".
- Αφαιρέστε το καπάκι ιζημάτων καυσίμου (Εικ. 18.2) του καρμπυρατέρ μαζί με το λαστιχάκι στεγανοποίησής του (Εικ. 18.1).
- Πλύνετε τα μέρη που αφαιρέσατε σε διάλυμα, στεγνώστε διεξοδικά.

##### **ΠΡΟΣΟΧΗ:**

Μην καθαρίζετε ποτέ το καπάκι ιζημάτων καυσίμου με βενζίνη ή απορρυπαντικά χαμηλού σημείου ανάφλεξης για να αποφύγετε τον κίνδυνο πυρκαγιάς ή έκρηξης.

- Αντικαταστήστε το λαστιχάκι στεγανοποίησης με καινούργιο αν απαιτείται.

- Επανατοποθετήστε το λαστιχάκι στεγανοποίησης και το καπάκι ιζημάτων καυσίμου και ασφαλίστε τα στη θέση τους.
- Γυρίστε το μοχλό καυσίμου στη θέση "ON" και ελέγξτε για τυχόν διαρροές καυσίμου.

#### **ΦΙΛΤΡΟ ΒΕΝΖΙΝΗΣ**

Το δοχείο καυσίμου ενδέχεται να είναι εφοδιασμένο με ένα φίλτρο, ανάλογα με το μοντέλο του σκαπτικού, που βρίσκεται στην τάπα του δοχείου καυσίμου. Το φίλτρο καυσίμου μπορεί να διαχωριστεί και πρέπει να ελέγχεται περιοδικά. Εάν το φίλτρο είναι βρώμικο, καθαρίστε το και αντικαταστήστε το με ένα νέο όταν απαιτείται. Σε περίπτωση που το εσωτερικό του δοχείου καυσίμου είναι βρώμικο, μπορεί να καθαριστεί ξεπλύνοντάς το με καθαρή βενζίνη.

#### **ΚΑΘΑΡΙΣΜΟΣ**

Χρησιμοποιήστε μια μικρή μαλακή βούρτσα για να καθαρίσετε το εξωτερικό του μηχανήματος. Μην χρησιμοποιείτε ισχυρά απορρυπαντικά. Τα οικιακά καθαριστικά που περιέχουν αρωματικά έλαια όπως πεύκο και λεμόνι και διαλυτές όπως κηροζίνη μπορούν να προκαλέσουν ζημιά στο πλαστικό περίβλημα ή στη λαβή. Σκουπίστε τυχόν υγρασίες με ένα μαλακό πανί. Οι φρέζες και οι λασπωτήρες μπορούν να καθαριστούν με νερό χρησιμοποιώντας ένα λάστιχο κήπου.

#### **ΑΠΟΘΗΚΕΥΣΗ**

##### **ΠΡΟΣΟΧΗ:**

Μην αποθηκεύετε ποτέ το μηχανήμα με καύσιμο στη δεξαμενή και αφήνετε πάντα να κρυσώσει πριν την αποθήκευση. Αποθηκεύστε το μηχανήμα μόνο σε ξηρούς και καλά αεριζόμενους χώρους. Σε περίπτωση που η μονάδα θα αποθηκευτεί για μεγάλο χρονικό διάστημα, χρησιμοποιήστε την ακόλουθη διαδικασία αποθήκευσης:

- Αποστραγγίστε όλο το καύσιμο από το ρεζερβουάρ καυσίμου.
- Εκκινήστε τον κινητήρα και αφήστε τον να λειτουργήσει μέχρι να σταματήσει μόνος του. Αυτό εξασφαλίζει ότι όλο το καύσιμο έχει αποστραγγιστεί από το καρμπυρατέρ.
- Αντικαταστήστε το λάδι του κινητήρα με καινούργιο.
- Αντικαταστήστε το λάδι του κιβωτίου ταχυτήτων με καινούργιο.
- Αντικαταστήστε το λάδι του φίλτρου αέρα με νέο, αν πρόκειται για φίλτρο αέρα τύπου σε λάδι.
- Αφαιρέστε το μπουζί και βάλτε 30 ml λαδιού κινητήρα υψηλής ποιότητας ή λαδιού μίξης στον κύλινδρο. Τραβήξτε αργά το σκονί της μίζας για να διανεμίσετε το λάδι. Εγκαταστήστε εκ νέου το μπουζί.
- Καθαρίστε σχολαστικά τη μονάδα και ελέγξτε για τυχόν χαλαρά ή κατεστραμμένα μέρη. Επισκευάστε ή αντικαταστήστε τα κατεστραμμένα μέρη και σφίξτε τις χαλαρές βίδες, παξιμάδια ή μπουλόνια.
- Λιπάνετε όλα τα μέρη όπου απαιτείται με ένα υψηλό σε λάδι πανί για να αποφύγετε τη συσσωρεύση σκουριάς.

## ΠΡΟΣΤΑΣΙΑ ΤΟΥ ΠΕΡΙΒΑΛΛΟΝΤΟΣ

Ανακυκλώστε τις πρώτες ύλες αντί να τις απορρίψετε. Το μηχάνημα, τα αξεσουάρ και οι συσκευασίες πρέπει να ταξινομούνται για φιλική προς το περιβάλλον ανακύκλωση. Τα πλαστικά εξαρτήματα επισημαίνονται για κατηγοριοποιημένη ανακύκλωση.

Απορρίψτε το χρησιμοποιημένο λάδι κινητήρα και τα δοχεία με τρόπο φιλικό προς το περιβάλλον. Σας προτείνουμε να το πάτε σε ένα σφραγισμένο δοχείο στο τοπικό κέντρο ανακύκλωσης ή στο πρατήριο καυσίμων. Μην το πετάτε στα σκουπίδια και μην το ρίχνετε στο έδαφος ή στην αποχέτευση.

## ΕΓΓΥΗΣΗ

Αυτό το προϊόν είναι εγγυημένο σύμφωνα με τους νόμους / ειδικούς κανονισμούς ανά χώρα, από την ημερομηνία αγοράς του από τον χρήστη. Ζημιές που οφείλονται σε φυσιολογική φθορά, υπερφόρτωση ή ακατάλληλο χειρισμό θα εξαιρεθούν από την εγγύηση. Σε περίπτωση αξίωσης, στείλτε το μηχάνημα, πλήρως συναρμολογημένο, στον αντιπρόσωπό σας ή στο επίσημο κέντρο σέρβις.

## SRPSKI

## OPŠTA BEZBEDNOSNA UPOZORENJA

Pročitajte i razumete uputstvo ovog vlasnika pre rada ovog proizvoda. Možete da sprečite nezgode tako što ćete biti upoznati sa kontrolama proizvoda i pridržavanjem bezbednih operativnih procedura i bezbednosnih znakova. Uvek koristite zdrav razum da izbegnete sve situacije koje se smatraju izvan vaše mogućnosti. Nemojte koristiti dok ste umorni ili pod uticajem droga, alkohola ili bilo kojih drugih lekova. Zadržite prolaznike i životinje koje bi mogle biti povređene, kao i predmete koji bi mogli biti oštećeni, dok rade. Nikada ne dozvolite deci ili osobama koje nisu upoznate sa ovim uputstvima da koriste proizvod. Lokalni zakoni mogu da ograniče minimalnu starosnu granicu operatera. Imajte na umu da je operater ili korisnik odgovoran za nesreće ili neočekivane događaje koji se dešavaju drugim ljudima, životinjama ili njihovoj imovini. Ne izlažite proizvod prekomernoj vlazi, prašini, prljavštini ili korozivnim isparenjama. Nemojte montirati opremu ili pribor na mašinu koja nije predviđena ili odobrena od strane proizvođača. Nikada ne pokušavajte da izmenite proizvod. Neovlašćene izmene ili pribor mogu rezultirati ozbiljnim ličnim povredama ili smrću operatera ili drugih osoba. Posavetujte se sa ovlašćenim dilerom za rastav i uslugu, koja nije obuhvaćena ovim uputstvom. Ako se nešto pokvari ili dođe do nezgode tokom rada, odmah isključite mašinu i udaljite je kako biste sprečili dalje oštećenje. U slučaju da je strano telo ušlo u mašinu, odmah ga zaustavite, pregledajte da li ima oštećenja i izvršite popravke pre nego što ga ponovo započnete.

## ZAŠTITNA OPREMA

Uverite se da prilikom rada jedinice koristite odgovarajuću i sertifikovanu zaštitnu opremu. Uvek nosite odeću koja ne sputava pokrete, zaštitne rukavice, zaštitne naočare, respirator sa polu maskiranim ušima, zaštitu usiju i anti-shear sigurnosne čizme sa neklizajućim đonom. Nikada ne nosite šalove, ogrlice ili bilo kakav viseći ili lep-ršavi pribor i odeću koja bi mogla da se uhvati u mašini. Veћи kosu ako je duganka.

## OPASNOSTI OD OTROVA

Radi samo na otvorenom i u dobro provetrenim delovima. Kada radi, motor iscrpljuje otrovni ugljen-monoksid, bez mirisa i bezbojni gas. Udisanje ugljen-monoksida izazvaće mučninu, nesvesticu ili smrt. Nemojte upravljati mašinom u zatvorenom prostoru gde mogu da se razviju opasna isparenja ugljen-monoksida, ili blizu otvorenih prozora. Gorivo i ulje su izuzetno otrovni. Nemojte udisanje goriva isparavati gasove i uvek nosite odgovarajuću zaštitnu opremu prilikom rukovanja njima. Uvek skladištite gorivo i ulje u odobrenim posudama i odgovorno raspolazete.

## OPASNOSTI OD POŽARA I OPEKOTINA

Neki delovi mašine se zagreju dovoljno da zapale zapaljive materijale. Ne koristite u oblastima sa visokim rizikom od požara. Ne usmeravajte

prigušivač a samim tim i izduvna isparenja prema zapaljivim materijalima.

Neki delovi mašine se zagreju dovoljno da izazovu oštećenje opekotina. Obratite pažnju da ih ne dirujete kako biste izbegli da se opečete. Ostavite mašinu da se ohladi pre nego što je uskladištite.

Benzin i nafta su zapaljivi. Sledite uputstva koja je obezbedio svaki proizvođač pre upotrebe. Potencijalne izvore vatre ili iskre treba držati podalje sve vreme. Ne pušite blizu mašine ili bilo kakvog goriva i ulja. Gorivo samo na otvorenom, u dobro provetrenoj oblasti, sa isključenim motorom. Polako otvorite rezervoar za gorivo kako biste omogućili da se pritisak unutra smanjuje postepeno. Ne preteruj sa rezervoarom. Uverite se da postoji određeno rastojanje između bilo kog rezervnog rezervoara benzina i jedinice, kako bi se sprečila nepotrebna opasnost. Pobrinite se da bilo koje i svo prosuto gorivo i ulje budu izbrisani pre nego što upalite motor.

Ako dođe do požara, koristite odgovarajuć protivpožarni aparat posebno dizajniran za požar nafte i benzina.

## KATEGORIJA BEZBEDNOSNA UPOZORENJA

### BEZBEDAN RAD

Sve operativne poluge mašine moraju lako da se kreću sa jedne pozicije na drugu i ne sme im biti potrebno forsiranje. Kvačilo i obrnute poluge (gde je primenljivo) moraju se automatski i brzo vratiti na neutralnu poziciju. Električni kablovi i posebno kabl za svećice moraju biti u savršenom stanju da bi se izbegla generacija bilo kakvih varnica i svećica mora biti pravilno uklopljena na svećice. Ručne i zaštitne uređaje moraju biti čiste i suve kao i bezbedno pričvršćivanje za mašinu.

Uvek proverite da li postoje objekti koji mogu da blokiraju ekran za unos vazduha pre nego što počinju sa radom. Zapušeni unos vazduha smanjuje performanse mašine i povećava radnu temperaturu motora, što može rezultirati kvarom motora.

Uverite se da ste zaustavili motor:

- ▶ Prilikom montaže ili uklanjanja dodatne opreme.
- ▶ Kada se krećete između radnih oblasti ili iznad popločanih oblasti i prizemnih prepreka.
- ▶ Kad god ostavite mašinu bez nadzora.
- ▶ Tokom dopune goriva.
- ▶ Tokom čišćenja ili održavanja.
- ▶ Tokom transporta.
- ▶ Pre skladištenja.

### OPASNOSTI OD ROTIRAJUĆIH DELOVA

Rotirajući delovi mogu da izazovu ozbiljne povrede. Izbegavajte kontakt sa rotirajućim delovima dok su još uvek u rotaciji. Nikada ne stavljajte ruke ili noge ispod šasije tilera ili blizu opreme za kasu dok motor radi i uvek hodajte iza tilera. Nikada ne upravljajte motorom bez navlaka za kaiš (gde je primenljivo).

### OPASNOSTI OD BUKE I VIBRACIJA

Nivoi buke i vibracija prikazani u ovim uputstvima su maksimalni nivoi za korišćenje mašine. Nedovoljno održavanje ima značajan uticaj na vibracije i emisiju buke. Shodno tome, neophodno je preduzeti

preventivne korake kako bi se eliminisala moguća oštećenja usled visokog nivoa buke i stresa od vibracija. Dobro održavajte mašinu, nosite uređaje za zaštitu ušiju, rukavice protiv vibracija i napravite pauze dok radite. Upravljanje mašinom stabilnom brzinom i čvrsto prisanjanje ručki uz odgovarajuću silu može da smanji nivo vibracija. Tokom radnog dana pravićete česte i adekvatne pauze kako biste sprečili oštećenje vibracija i oštećenja ušiju. Prolongirana izloženost vibracijama može da izazove povrede i neurovaskularne poremećaje, posebno kod osoba koje pate od poremećaja cirkulacije. Simptomi mogu da se odnose na ruke, zglobove i prste i pokazuju se kroz gubitak osetljivosti, torpora, svraba, bola i obeshalnosti ili strukturnih promena na koži. Ovi efekti se mogu pogoršati niskim ambijentalnim temperaturama ili prekomernim zahvatanjem ručnih ruku. Ako dođe do takvih simptoma, dužina trajanja upotrebe aparata mora biti smanjena i lekar mora biti konsultovan.

### OPASNOSTI U RADNOJ OBLASTI

Temeljno pregledajte ceo radni prostor i koristite četkicu za grublje ili dvorište kako biste ručno olabavili ostatke i uklonili sve što bi mašina mogla da projektuje, da bude opasan izvor ili da izazove oštećenje mašine ako se pregazi (kamenje, grane, gvozdene žica, kosti itd.). Proverite da li postoje prolaznici, životinje ili predmeti koji bi mogli biti oštećeni u roku od najmanje 15 metara od dometa mašine.

Radite samo po dnevnom svetlu, ili uz odgovarajuću veštačku svetlost, u dobrim uslovima vidljivosti. Pokušajte da ne izazivate nikakve smetnje u buci, samo koristeći ovu mašinu u razumno doba dana.

Zauzmu čvrstu i dobro izbalansiranu poziciju. Gde je to moguće, izbegavajte rad na vlažnom, klizavom terenu ili u svakom slučaju na neravnomernom ili strmom terenu koji operateru ne garantuje stabilnost.

### PREOSTALE OPASNOSTI

Mašina je napravljena pomoću savremene tehnologije i u skladu sa priznatim bezbednosnim pravilima. Čak i kada su preduzete sve bezbednosne mere, neke preostale opasnosti, koje još uvek nisu evidentne, mogu biti prisutne. Operater treba da koristi zdrav razum i preduzme neophodne mere predostrožnosti kako bi izbegao rizik zbog preostalih opasnosti.

### SPECIFIKACIJE PROIZVODA

#### NAMENJENA UPOTREBA

Ova mašina je dizajnirana i proizvedena za uzgoj terena za sadnju do e.g. u plastenicima, voćnjacima, baštama.

Štaviše, nakon što je opremljen relativnim uređajima i alatima, može se koristiti i za druge aplikacije kao što su bacanje, ridžing, podizanje krompira itd. Svaka druga upotreba koja se razlikuje od gore navedenih mogla bi da bude opasna, da naškodi ljudima i ošteti stvari i samu mašinu.



## NEPRAVILNA UPOTREBA

Mašina ne sme da se koristi za dotrajale opasne materije, npr. akumulaciju zapaljivih ili eksplozivnih proizvoda, vrućeg embera ili materijala za sagorevanje bez plamena, upaljenih cigareta, stakla, oštarih predmeta, metalnih predmeta, kamenja i bilo kog drugog objekta koji bi mogao da bude opasan po samu mašinu kao i operatera, prolaznika, životinja ili imovine.

Drugi primeri nepravilne upotrebe mogu da uključuju, ali nisu ograničeni, na rad računara:

- ▶ Bez originalnog pribora koji je obezbedio proizvođač.
- ▶ Sa originalnim priborom, ali na neki način ne u skladu sa uputstvima.
- ▶ Bez originalnih rezervnih delova.
- ▶ Sa neovlašćenim izmenama.
- ▶ Od strane više od jedne osobe.

## TEHNIČKI PODACI STRANICA 76

### IDENTIFIKACIJA (SL. 1)

1. Ručica kvačila
2. Prigušivač
3. Rezervoar za gorivo
4. Filter vazduha
5. Početno prijanjanje
6. Montaža zubaca za obradu
7. Branik od blata
8. Menjai
9. Vodič za prilagođavanje dubine
10. Ručica menjača menjača menjača
11. Ručica za podešavanje visine regulatora
12. Obrnuta poluga
13. Ručica gasa
14. PREKIDAČ ON / OFF

## OPERACIJA

### PRIPREMA JEDINICE

Raspakivanje i dovršavanje montaže treba uraditi na ravnoj i stabilnoj površini, sa dovoljno prostora za premeštanje mašine i njene ambalaže, uvek koristeći odgovarajuću opremu. Skupštinu treba da sprovodi obučeno osoblje u vašoj najbližjoj diler-skoj radnji, tamo gde je to neophodno.

### Vodič za prilagođavanje dubine

Izvucite sigurnost (Sl. 2.1) i iglu (Sl. 2.2) iz trake za spajanje (Sl. 2.3). Postavite uputstvo za podešavanje dubine kase (Sl. 2.4) u traku za povezivanje i sastavite zajedno sa iglom i bezbednošću. Postavite montažu (Sl. 3.4) na poziciju glavnog tela tileru (Sl. 3.2) i obezbedite sigurnosnom iglom (Sl. 3.3).

### Alatka za tinjenje

Montaža tining tines (Sl. 1.16) sastoji se od tri seta od četiri sečiva (ukupno dvanaest sečiva) i bočnog diska za svaku stranu. Svaka strana će obično biti unapred sklopljena u fabrici i spremna da stane u mašinu. U slučaju da je potrebno sklapanje tinesa, predlažemo da ga izvodi samo obučeno osoblje u vašoj najbližjoj dilernici. Da biste sklopili desnu stranu tine (Sl. 3.1) na

tileru, pažljivo nagnite mašinu na levu stranu, stavite tine na okno izlazne osovine (Sl. 3.7) i zaključajte ga na poziciju sa obezbeđenom iglom (Sl. 3.9) i bezbednošću (Sl. 3.8). Da biste sklopili levu stranu tine (Sl. 3.5) na tileru, pažljivo nagnite mašinu nadesno, stavite tine na okno izlazne osovine i zaključajte ga na poziciju sa obezbeđenom iglom i bezbednošću.

### Branici blata

Uverite se da su zastita opreme za presađivanje blata (Sl. 1.7) bezbedno sklopljene na poziciji. Ako branici nisu unapred sklopljeni od strane proizvođača, koristite obezbeđene orahe, zavrtnje i adapter za sklapanje levih i desnih branika.

### Regulator operacije

Sastavite cev za povezivanje (Sl. 4.1) na poziciji na menjaču (Sl. 4.2) sa četiri obezbeđena šrafa. Sastavite dršku (Sl. 5.3) na cevi za povezivanje (Sl. 5.2) i zategnite ručicu za podešavanje visine drške (Sl. 5.1) da biste zaključali dršku na poziciji.

### Podešavanje visine regulatora operacije

Visinu regulatora operacije možete podesiti tako što ćete olabaviti ručicu za podešavanje visine drške (Sl. 1.11), podesiti ugao regulatora operacije po želji (preporučuje se visina struka) i ponovo zategnuti ručicu na poziciji.

### Ručica menjača menjača menjača

Postavite ručicu menjača menjača (Sl. 6.2) na poziciju kroz podršku (Sl. 6.1) na cev za konekciju drške, u ruku menjača (Sl. 6.3) i osigurajte sa većom i bezbednošću.

### Kablovi za kvačilo, rikverc i gas

Instalaciju bilo kog kvačila, obrnutog ili gasa povezanih kablova, koji već nisu unapred sklopljeni od strane proizvođača, trebalo bi da obavlja samo obučeno osoblje u vašoj najbližjoj diler prodavnici.

## GORIVO I PODMAZIVANJE

### UPOZORENJE:

Mašina se isporučuje bez nafte i goriva.

Ovaj proizvod je opremljen motorom od 4 poteza što znači da benzin treba koristiti u rezervoaru za gorivo (Sl. 1.3) i motor treba da bude napunjen uljem. Štaviše, tiler je opremljen menjačem, koji ta-kođe treba podmaziti uljem.

### BELEŠKE:

Koristite levak kako biste izbegli prosipanje goriva ili ulja.

Specifikacije goriva: Bezosećeni benzin ili 90 oktana više.

### UPOZORENJE:

Uvek koristite čistu posudu za skladištenje goriva i nemojte koristiti gorivo uskladišteno duže od mesec dana.

Specifikacije ulja: Za opštu upotrebu (5°C - 38°C) preporučeno ulje je SAE 10W40 (Sl. 10).

Da biste mašinu napunili gorivom:

1. Uklonite kapu rezervoara za gorivo (Sl. 7.1).
2. Dodajte gorivo na gornji nivo rezervoara za gorivo. Ostavite minimum 5 mm prostora



između vrha goriva i unutrašnje ivice rezervoara da biste omogućili proširenje. Polovina dužine (Sl. 7.3) filtera rezervoara za gorivo (Sl. 7.2) takođe može da radi kao znak gornjeg nivoa goriva, gde je dostupan.

3. Pomerite poklopac rezervoara za gorivo i zategnite na odgovarajući način.

Da biste napunili motor uljem:

1. Uklonite kapu za filer ulja (Sl. 8.3) sa vrata filtera motornog ulja (Sl. 8.2). Donji deo je indikator nivoa nafte.
2. Postepeno dodajte dovoljno ulja da se nivo ulja između gornjeg (Sl. 8.4) i donjeg (Sl. 8.5) približi indikatoru nivoa ulja. Merenje treba uraditi sa pozicionim dipstikom, ali ne i zeznutim, u vratu filtera.

3. Repozicioniti kapu za filer ulja i prikladno zategnuti.

Da biste napunili menjač uljem:

1. Uklonite kapu za filer ulja iz menjača (Sl. 1.8) vrata uljanog filtera. Donji deo je indikator nivoa nafte.
2. Postepeno dodajte dovoljno ulja da se nivo ulja između gornjeg (Sl. 9.1) i donjeg (Sl. 9.2) ograniči na indikator nivoa ulja.
3. Repozicioniti kapu za filer ulja i prikladno zategnuti.

Da biste napunili filter vazduha uljem (primenljivo samo na filter vazduha tipa ulja):

1. Uklonite poklopac filtera vazduha (Sl. 11.1) i element filtera vazduha (Sl. 11.2) iz filtera vazduha (Sl. 1.4).
2. Postepeno dodajte dovoljno ulja da nivo ulja dovede do gornje granice na indikatoru nivoa nafte.
3. Promenite položaj elementa filtera vazduha.
4. Promenite poklopac filtera vazduha i zategnite ga na odgovarajući način.

#### UPOZORENJE:

Obrišite svako prosuto gorivo i ulje pre nego što upalite motor.

#### POKRETANJE JEDINICE

Pre pokretanja mašine:

1. Pobrinite se da i mašina i vi budete na stabilnom terenu.
2. Proverite da li su svi pričvršćivači obezbeđeni na poziciji.
3. Pripremite pribor i uverite se da su pravilno montirani.
4. Proverite da li je filter vazduha čist i da li je unos vazduha i izduvnih gasova zapušten bilo kakvim stranim materijalom.
5. Napunite potrebnom količinom ulja i goriva.
6. Uverite se da je ručica kvačila (Sl. 1.1) otklonjena i da ručica menjača menjača (Sl. 1.10) bude u neutralnom položaju, kako bi se sprečilo nekontrolisano kretanje tilera.

Da biste pokrenuli mašinu:

1. Pomerite ručicu ventila za gorivo (Sl. 12.2) na poziciju "ON".
2. Pomerite ručicu za gušenje (Sl. 12.1) na poziciju "ON".

#### BELEŠKE:

Ovaj korak se odnosi samo na hladno pokretanje

motora. Kada je motor već topao ili je temperatura okoline visoka, ručica gušenja bi trebalo da bude u "OFF" poziciji u svakom trenutku.

3. Premestite PREKIDAČ ON / OFF (Sl. 1.14) na poziciju "ON" (Sl. 1.6).
4. Pomerite ručicu gasa (Sl. 1.13) na poziciju "L" (mala brzina) (Sl. 13).
5. Pričvrstite čvrsto dršku mašine levom rukom i početni stisak motora desnom rukom (Sl. 14). Povucite početni stisak dok ne osetite otpor da uključite motor, a zatim čvrsto povucite da upalite motor.

#### UPOZORENJE:

Da ne biste polomili početni konopac, nemojte ga povlačiti celom dužinom ili ga pustiti da klizi duž ivice rupe vodiča za kablovsku televiziju. Oslobođite startera postepeno, kako biste izbegli da nekontrolisano odleti nazad.

6. Kako se motor zagreva, postepeno pomerate ručicu za gušenje na "OFF" poziciju, ako je motor bio hladan upalio.

#### BELEŠKE:

Za maksimalne performanse i pouzdanost, dozvolite motoru da se zagreje pre rada, radeći ga dva do tri minuta u nusu

#### UPRAVLJANJE JEDINICOM

##### Ručica kvačila

Povucite ručicu kvačila (Sl. 15.1) prema dršci (Sl. 15.B) i držite je na mestu kako biste pokrenuli tiler prema odabranoj brzini. Postepeno oslobađanje ručice kvačila na neutralnu poziciju (Sl. 15.A) zaustaviće kretanje tilera.

#### UPOZORENJE:

Ručica kvačila mora biti puštena pre rada ručice menjača menjača.

##### Obrnuta poluga

Pomerite polugu menjača menjača na poziciju "R" (obrnuto). Desnom rukom povucite obrnutu polugu prema dršci kako biste uključili obrnutu brzinu i zadržali je na mestu. Zatim, levom rukom povucite ručicu kvačila prema dršci i držite je na mestu kako biste pokrenuli tiler unazad. Postepeno oslobađanje poluge kvačila na neutralnu poziciju zaustaviće kretanje tilera.

#### UPOZORENJE:

Obrnuta poluga mora biti puštena pre rada ručice menjača menjača. Obrnuta poluga nikada ne sme biti operisana dok je ručica menjača menjača na bilo kojoj poziciji prednjeg menjača.

##### Ručica gasa

Željena brzina motora se može podesiti pomeranjem ručice brzine motora između "H" i "L", za veliku i nisku brzinu (Sl. 13).

#### UPOZORENJE:

Brzina motora mora biti smanjena na minimum pre rada kvačila.

##### Ručica menjača menjača menjača

Pomerite ručicu menjača u željenu poziciju da biste odabrali način na koji će vaš tiler biti pogonjen:

- R : obrnuta brzina

- ▶ 0 : neutralna oprema
- ▶ 1 : prednja brzina broj jedan
- ▶ 2 : prednja brzina broj dva

**BELEŠKE:**

R i "O" zupčanici dele istu poziciju ručice menjača.

**BELEŠKE:**

U slučaju da ručica menjača neće angažovati željenu opremu, zaustavite motor. Zatim povucite ručicu kvačila i ručno pomerite tiler blago napred i nazad kako biste promenili položaj zupčanike unutar menjača.

**ZAUSTAVLJANJE JEDINICE**

Da biste zaustavili mašinu:

1. Smanjite brzinu motora pomeranjem ručice gasa na "L" poziciju.
2. Oslobodite ručicu kvačila da biste sprečili kretanje tilera.
3. Otpustite obrnutu polugu, ako je tiler bio u obrnutom radu.
4. Pomerite ručicu menjača na neutralnu poziciju.
5. Pomerite prekidač ON / OFF na poziciju "OFF".
6. Pomerite ručicu ventila za gorivo na poziciju "OFF".

**ODRŽAVANJE I ČIŠĆENJE****UPOZORENJE:**

Nikada ne radite održavanje ili čišćenje sa pokrenutom jedinicom. Uvek radi na kul jedinici. Pre čišćenja ili obavljanja radova na održavanju, isključite zatvarač svećice i pročitajte relevantna uputstva. Uvek nosite odgovarajuću odeću i zaštitne rukavice kad god su vam ruke u opasnosti.

Sve korekcije ili operacije održavanja koje nisu opisane u ovom uputstvu moraju da izvrše Vaš Diler ili specijalizovani servisni centar sa potrebnim znanjem i opremom kako bi se osiguralo pravilno održavanje prvobitnog nivoa bezbednosti mašine. Sve operacije koje se obavljaju u neovlašćenim centrima ili od strane nekvalifikovanih lica potpuno će poništiti garanciju i sve obaveze i odgovornosti Proizvođača.

Držite sve orahe i šrafove čvrsto da biste bili sigurni da je mašina uvek u bezbednom radnom stanju. Rutinsko održavanje je od suštinskog značaja za bezbednost i održavanje visokog nivoa performansi.

**UPOZORENJE:**

Nikada ne koristite mašinu sa istrošenim ili oštećenim delovima. Neispravni ili istrošeni delovi uvek moraju biti zamenjeni, a ne popravljeni. Koristite samo originalne rezervne delove.

**RASPORED ODRŽAVANJA**

Stavke		Frekvenciju					
		Pre svake upotrebe	Nakon 1. meseca ili 5hr operacije	Svaka 3 meseca ili 25hr operacije	Svaki 6 meseci ili 50hr operacije	Svaki 12 meseci ili 100hr operacije	
Kompletna jedinica	Vizuelna izpekcija	✓					
	Bezbedni pričvršćivači	✓					
Regulatori kontrole	Proverite	✓*					
Tinjetine i noževi	Proverite	✓*					
Engine ulje	Dopuna čekova	✓					
	Zameni		✓		✓		
Ulje menjača	Dopuna čekova	✓					
	Zameni					✓**	
Veze	Podmazivanje			✓			
Filter vazduha	Provera - čišćenje	✓*	✓*	✓*			
	Zameni					✓	
Svećica	Prilagodavanje provere				✓*		
	Podležete podlegu					✓	
Filter za gorivo	Čist			✓			
Cev za gorivo	Proverite					✓*	
Šolja za talog karburatora	Čist				✓		
Čišćenje ventila	Prilagodavanje provere					✓**	

\*Ove stavke treba zameniti ako je potrebno.

\*\*Ove predmete treba održavati i popravljati samo ovlašćeni diler, koji imaju odgovarajuće alate i potrebnu mehaničku stručnost.

**ALAT ZA TINJENJE**

Povremeno proveravate da li ima tinesa za habanje ili oštećenje. Oštećeni delovi moraju biti zamenjeni pre nego što ponovo operišete tiler. Nošenje noževa će negativno uticati na sposobnost mašine i treba ih zameniti ako je potrebno.

**KVAČILO, RIKVERC I RUČICE GASA IGRAJU**

Mala podešavanja na već unapred sklopljenom kvačilu, obrnutim i gasnim kablovima mogu se izvršiti korišćenjem šrafa od oraaha i šipke na svakom kablju sa strane poluge. Ako putna razdaljina nije ispravna, oslobodite orah od brave i prilagodite se reprodukcijom tako što ćete podesiti šraf za podešavanje po potrebi. Kada završite, zategnite

orah od brave i ponovo proverite da li ima odgovarajuće operacije ručice kvačila.

Nakon bilo kakvog povezanog podešavanja, vodite računa da se ručice kvačila, obrnutog ili gasa pomeraju sa jedne pozicije na drugu bez potrebe za prekomernom silom i da kvačilo, obrnute ili gasne šipke na menjaču ili motoru mogu da rade od svog punog dometa.

#### **BELEŠKE:**

Preporučuje se da takva podešavanja obavlja samo obučeno osoblje u vašoj najbližoj dilernici, kako bi se osigurali originalni bezbednosni standardi mašine.

#### **PODMAZIVANJE**

##### **UPOZORENJE:**

Proveru nivoa i promenu ulja treba obaviti na čvrstom i nivou tla. Motor mora biti zaustavljen sve vreme. Da je motor radio, biće vruće i procedura bi trebalo da se obavi sa negom i neophodnim merama predostrožnosti kako bi se izbegla opasnost od opekotina.

#### **BELEŠKE:**

Iscedite polovno ulje dok je motor topao. Toplo ulje se cedi brzo i u potpunosti.

#### **Ulje motora**

Da biste proverili nivo ulja:

1. Uklonite kapu za filer ulja sa vrata filera motor-nog ulja.
2. Obrišite indikator nivoa ulja čistim.
3. Ubacite kapu za filer ulja u vrat od ulja, bez jebanja.
4. Uklonite kapu filera i proverite nivo ulja prikazan na indikatoru nivoa ulja. Ako je potrebno, dodajte dovoljno ulja da nivo ulja bude između gornje i donje granice na indikatoru nivoa nafte.
5. Repozicioniti kapu za filer ulja i prikladno zategnuti.

Da biste promenili ulje:

1. Uklonite kapu za filer ulja sa vrata filera motor-nog ulja.
2. Postavite odgovarajuću posudu ispod utikača za odvod ulja (Sl. 8.1) da biste uhvatili iskorišćeno ulje.
3. Uklonite utikač za odvod ulja i dozvolite da se ulje potpuno ocedi.
4. Repozicionirati utikač za odvod ulja i zategnite na odgovarajući način.
5. Postepeno dodajte dovoljno ulja da nivo ulja bude između gornje i donje granice na indikatoru nivoa nafte.
6. Repozicioniti kapu za filer ulja i prikladno zategnuti.

#### **BELEŠKE:**

Ako motor često radi pod izuzetno prašnjavim ili drugim teškim okolnostima, menjaj ulje motora na svakih 25 sati.

#### **UPOZORENJE:**

Pokretanje motora će dovesti do oštećenja motora.

#### **Ulje menjača**

Da biste proverili nivo ulja:

1. Uklonite kapu za filer ulja sa vrata menjača ulja.
2. Proveri nivo ulja. Ako je potrebno, napunite sa dovoljno ulja da nivo ulja dovede između gornje

i donje granice na indikatoru nivoa nafte.

3. Stavite kapu za filer ulja na položaj i prikladno zategnite.

Da biste promenili ulje:

Operaciju menjača za promenu ulja treba da obavi vaš Diler ili specijalizovani Servisni centar sa potrebnim znanjem i opremom.

#### **UPOZORENJE:**

Pokretanje tilera će naneti nizak nivo ulja menjača uzrokujući oštećenje menjača.

#### **Podmazivanje veza**

Podmažite veze na svakih deset sati rada kao i pre skladištenja dugih vremenskih perioda motornim uljem ili čistom krpom vlažnom uljem.

#### **FILTER VAZDUHA**

##### **UPOZORENJE:**

Upravljanje motorom bez prečistača vazduha, ili sa oštećenim prečistačem vazduha, omogućiće prljavštini da uđe u motor, što će izazvati brzo habanje motora.

Da biste proverili, očistili ili promenili filter vazduha (Sl. 11):

1. Uklonite poklopac filtera za vazduh.
2. Uverite se da je element filtera vazduha oslobođen prljavštine i da je u dobrom stanju. Ako je prljav, uklonite ga i očistite.
  - Da biste očistili element filtera za penast vazduh operite ga kućnim deterdžentom i toplom vodom i ostavite da se osuši. Zatim ga natopite čistim zasićenim uljem motora i nežno iscedite višak ulja. Ako je potrebno, zamenite ga novim.
  - Da biste očistili element filtera za papirni vazduh, očistite laganu prljavštinu tako što ćete je nežno zalepiti nekoliko puta na tvrdu površinu i zameniti ako je prisutna teška prljavština.
3. Očistite unutrašnjost omotača filtera za vazduh i pokrijte od prljavštine mekom krpom. Ako je motor opremljen filterom vazduha tipa uljane kupke, zamenite ulje novim uljem motora.
4. Ponovo instalirajte element filtera vazduha i sledite obrnutu proceduru kako biste vratili u poziciju poklopac filtera vazduha.

#### **UPOZORENJE:**

Nikada ne čistite filter vazduha zapaljivim ili niskim deterdžentima sa fleš tačkom kako biste izbegli rizik od požara ili eksplozije.

#### **BELEŠKE:**

Ako motor često radi pod prašnjavim ili drugim teškim okolnostima, očistite filter vazduha na svakih 10 sati i dodajte mu promenu ulja sa novim. Ako je potrebno, menjajte element filtera vazduha na svakih 25 sati.

#### **SVEĆICA**

Da biste održali svećice (Sl. 17.1):

1. Uklonite svećica da biste pristupili sveći.
2. Koristite odgovarajuću alatku za svećice (Sl. 17.2) da biste pažljivo uklonili svećice.
3. Proverite stanje svećice i njene elektrode. Mora biti nisto, a ne poљeno. Proverite da li je razmak između svećica između 0,7 i 0,8mm (Sl. 17).

Zamenite svećice novim, ako je potrebno.

- Pažljivo priključite svećicu na motor ručno.
- Kada se koncem zategne, koristite odgovarajući alat za svećice da biste zategli svećicu, obračunajući pažnju da ne koristite prekomernu silu koja oštećuje konce.
- Ponovo priložite poklopac svećice.

#### **UPOZORENJE:**

Nikada ne dozvolite prljavštini ili krhotinama da uđu u cilindar. Pre uklanjanja svećice temeljno očistite svećicu i područje glave cilindra.

#### **TALOG OD GORIVA**

##### **UPOZORENJE:**

Održavajte karburator goriva samo na otvorenom i u dobro provetrenim delovima.

Za održavanje taloga za gorivo:

- Okrenite ventil za gorivo na "OFF" poziciju.
- Uklonite talog za gorivo karburatora (Sl. 18.2) svojim gumenim prstenom za foke (Sl. 18.1).
- Uklonjene delove operite u rastvaraču, temeljno ih osušite.

##### **UPOZORENJE:**

Nikada ne čistite talog za gorivo zapaljivim ili niskim deterdžentima za fleš tačku kako biste izbegli rizik od požara ili eksplozije.

- Gumeni prsten za foke zamenite novim ako je potrebno.
- Ponovo instalirajte gumeni prsten za foke i sedimentnu šolju i obezbedite na položaju.
- Okrenite ventil za gorivo na "ON" poziciju i proverite da li ima curenja goriva.

#### **FILTER ZA GORIVO**

Rezervoar za gorivo može biti opremljen filterom, u zavisnosti od modela Tiler, koji se nalazi na zatvarač rezervoara za gorivo. Filter za gorivo može da se izabere i treba ga povremeno proveravati. Ako je filter prljav, očistite ga i zamenite novim po potrebi. U slučaju da je unutrašnjost rezervoara prljava, može se očistiti ispiranjem rezervoara za gorivo čistim benzinom.

#### **ČIŠĆENJE**

Koristite malu meku četku za čišćenje spoljašnjosti jedinice. Ne koristite jake deterdžente. Čistači domaćinstava koji sadrže aromatična ulja kao što su bor i limun i rastvarači kao što je kerozin mogu da oštete plastična kućište ili dršku. Obrisite svaku vlagu mekom krpom. Tine i branici se mogu očistiti vodom pomoću baštenskog creva.

#### **SKLADIŠTENJE**

##### **UPOZORENJE:**

Nikada ne skladištite jedinicu sa gorivom u rezervoaru i uvek dozvolite jedinici da se ohladi pre skladištenja. Jedinicu čuvajte samo u suvim i dobro provetrenim delovima.

U slučaju da će jedinica biti uskladištena duže vreme, koristite sledeću proceduru skladištenja:

- Isušite svo gorivo iz rezervoara.
- Upalite motor i dozvolite mu da radi dok ne odugovlači. Ovim se obezbeđuje da se svo gorivo iscedi iz karburatora.
- Zamenite ulje motora novim.

4. Zamenite ulje menjača novim.

5. Zamenite ulje filtera vazduha novim, ako je filter vazduha tip uljane kupke.

6. Uklonite svećicu i stavite 30 ml visokokvalitetnog motornog ulja u cilindar. Povucite starter kanap polako da distribuirate ulje. Ponovo instalirajte svećice.

7. Temeljno očistite jedinicu i proverite da li ima labavih ili oštećenih delova. Popravite ili zamenite oštećene delove i zategnite labave šrafove, orahe ili šrafove.

8. Podmazujte sve delove potrebne vlažnom krpom za ulje da biste izbegli izgrađenu rđu.

#### **ZAŠTITA ŽIVOTNE SREDINE**

Reciklirajte sirovine umesto da odlažete kao otpad. Mašina, pribor i ambalaža treba da se sortiraju za reciklažu pogodnu za životnu sredinu. Plastične komponente su označene za kategorizovanu reciklažu.

Odložite polovno motorno ulje i kontejnere na način koji je kompatibilan sa okolinom. Predlažemo da ga odnesete u zapečaćenoj posudi u vaš lokalni reciklažni centar ili servisnu stanicu radi reklamacije. Nemojte ga bacati u smeće, sipati na zemlju ili sipati u odvod.

#### **GARANCIJE**

Ovaj proizvod je garantovan u skladu sa zakonskim / državnim propisima, koji stupaju na snagu od dana kupovine od strane prvog korisnika. Šteta koja se može pripisati normalnom habanom i cedanju, preopterećenju ili nepravilnom rukovanju biće isključena iz garancije. U slučaju zahteva, pošaljite mašinu, potpuno okupljenu, vašem dileru ili zvaničnom servisnom centru.

## HRVATSKI

### OPĆA SIGURNOSNA UPOZORENJA

Pročitajte i shvatite priručnik ovog vlasnika prije nego što upravljate ovim proizvodom. Možete spriječiti nesreće tako što ćete biti upoznati s kontrolama proizvoda i promatranjem sigurnih operativnih postupaka i sigurnosnih znakova. Uvijek koristite zdrav razum kako biste izbjegli sve situacije koje se smatraju izvan vaših mogućnosti. Nemojte koristiti dok ste umorni ili pod utjecajem droga, alkohola ili bilo kojeg drugog lijeka. Držite prolaznike i životinje koje bi mogle biti povrijeđene, kao i predmete koji bi mogli biti oštećeni, dok rade. Nikada ne dopustite djeci ili osobama koje nisu upoznate s ovim uputama da koriste proizvod. Lokalni zakoni mogu ograničiti minimalnu dob operatera. Imajte na umu da je operater ili korisnik odgovoran za nesreće ili neočekivane događaje koji se događaju drugim osobama, životinjama ili njihovoj imovini. Nemojte izlagati proizvod prekomjernoj vlazi, prašini, prljavštini ili korozivnim parama. Nemojte montirati opremu ili pribor na stroj koji proizvođač nije predvidio ili odobrio. Nikada ne pokušavajte modificirati proizvod. Neododobravane izmjene ili dodaci mogu rezultirati ozbiljnim tjelesnim ozljedama ili smrću operatera ili drugih. Posavjetujte se s ovlaštenim trgovcem za raščlambu i servis, koji nije obuhvaćen ovim priručnikom. Ako se nešto slomi ili se dogodi nesreća tijekom rada, odmah isključite stroj i odmaknite ga kako biste spriječili daljnja oštećenja. U slučaju da je strano tijelo ušlo u stroj, odmah ga zaustavite, pregledajte ga za bilo kakva oštećenja i napravite popravke prije ponovnog pokretanja.

### ZAŠTITNA OPREMA

Prilikom rada jedinice provjerite koristite li odgovarajuću i certificiranu zaštitnu opremu. Uvijek nosite odjeću koja ne ometa pokrete, zaštitne rukavice, zaštitne naočale, respirator s pola maske, zaštitu za uši i zaštitne čizme protiv smicanje s neklizanjem potplata. Nikada ne nosite šalove, ogrlice ili bilo koji viseći ili lepršavi pribor i odjeću koja bi se mogla uhvatiti u stroju. Zaveže kosu ako je duga.

### OPASNOSTI OD OTROVA

Radi samo na otvorenom i u dobro prozračenim prostorima. Kada radi, motor iscrpljuje otrovni ugljični monoksid, plin bez mirisa i bezbojnog plina. Udisanje ugljičnog monoksida uzrokovat će mučninu, nesvjesticu ili smrt. Nemojte upravljati strojem u skućenom prostoru gdje se mogu razviti opasne pare ugljičnog monoksida ili blizu otvorenih prozora.

Govorilo i ulje su vrlo otrovni. Nemojte udisati plinove koji isparavaju gorivo i uvijek nosite odgovarajuću zaštitnu opremu prilikom rukovanja njima. Govorilo i ulje uvijek skladištite u odobrenim spremnicima i odgovorno raspolajte.

### OPASNOST OD POŽARA I OPEKLINA

Neki dijelovi stroja se dovoljno zagriju da zapale zapaljive materijale. Nemojte se koristiti u područ-

jima s visokim rizikom od požara. Ne usmjeravajte prigušivača, a time i ispušne plinove prema zapaljivim materijalima.

Neki dijelovi stroja se dovoljno zagriju da uzrokuju štetu od opeklina. Obratite pozornost da ih ne dirajte kako biste izbjegli opeklina. Pustite da se stroj ohladi prije skladištenja.

Benzin i nafta su zapaljivi. Slijedite upute koje je dao svaki proizvođač prije uporabe. Potencijalne izvore vatre ili iskre treba držati podalje u svakom trenutku. Nemojte pušiti u blizini stroja ili bilo kojeg goriva i ulja. Napunite gorivo samo na otvorenom, u dobro prozračenoj površini, s isključenim motorom. Polako otvorite spremnik goriva kako bi se tlak iznutra postupno smanjivao. Nemojte prepuniti spremnik goriva. Pobrinite se da postoji određena udaljenost između bilo kojeg rezervnog spremnika benzina i jedinice, kako biste spriječili nepotrebnu opasnost. Pobrinite se da sve prolijevno gorivo i ulje bude izbrisano prije pokretanja motora.

Ako dođe do požara, koristite odgovarajući aparat za gašenje požara posebno dizajniran za vatru ulja i benzina.

### SIGURNOSNA UPOZORENJA KATEGORIJE

#### SIGURAN RAD

Sve operativne poluge stroja moraju se lako kretati s jednog položaja na drugi i ne smiju trebati forsirati. Kvačilo i obrnute poluge (ako je primjenjivo) moraju se automatski i brzo vratiti u neutralni položaj. Električni kabeli, a posebno kabel svjećice moraju biti u savršenom stanju kako bi se izbjegla naraštaj iskri, a svjećica mora biti ispravno postavljena na svjećici. Ručni i zaštitni uređaji moraju biti čisti i suhi, kao i sigurno pričvršteni na stroj.

Uvijek provjerite ima li objekata koji mogu blokirati zaslon za usis zraka prije početka rada. Začepljeni usis zraka smanjuje performanse stroja i povećava radnu temperaturu motora, što može rezultirati kvarom motora.

Provjerite jeste li zaustavili motor:

- ▶ Prilikom montaže ili uklanjanja pribora.
- ▶ Prilikom kretanja između radnih područja ili iznad popločanih područja i prepreka na tlu.
- ▶ Kad god ostaviš stroj bez nadzora.
- ▶ Tijekom točenja goriva.
- ▶ Tijekom čišćenja ili održavanja.
- ▶ Tijekom transporta.
- ▶ Prije skladištenja.

#### ROTIRAJUĆE OPASNOSTI ZA DIJELOVE

Rotirajuće dijelovi mogu uzrokovati ozbiljne ozljede. Izbjegavajte kontaktiranje rotirajućih dijelova dok su još u rotaciji. Nikada ne stavljajte ruke ili noge ispod šasije šasija ili blizu stroja opreme za obradu dok motor radi i uvijek hodajte iza šasija. Nikada ne upravljajte motorom bez poklopca remena (ako je primjenjivo).

#### OPASNOSTI OD BUKE I VIBRACIJA

Razine buke i vibracija prikazane u ovim uputama maksimalne su razine za korištenje stroja. Nedovoljno održavanje ima značajan utjecaj na

vibracije i emisije buke. Slijedom toga, potrebno je poduzeti preventivne korake kako bi se uklonila moguća oštećenja zbog visoke razine buke i stresa od vibracija. Dobro održavajte stroj, nosite uređaje za zaštitu uha, rukavice protiv vibracija i uzмите pauze tijekom rada. Upravljanje strojem stabilnom brzinom i čvrsto prianjanje ručki odgovarajućom silom može smanjiti razinu vibracija. Tijekom radnog dana napraviti ćete česte i adekvatne pauze kako biste spriječili oštećenje vibracija i oštećenja ušiju. Dugotrajna izloženost vibracijama može uzrokovati ozljede i neurovaskularne poremećaje, osobito osobama koje pate od poremećaja cirkulacije. Simptomi mogu biti u vezi s rukama, zapešćima i prstima i prikazani su gubitkom osjetljivosti, torpora, svrbeža, boli i promjene boje ili strukturnih promjena na koži. Ti se učinci mogu pogoršati niskim temperaturama okoline ili prekomjernim hvatanjem za ruke. Ako se pojave takvi simptomi, potrebno je smanjiti trajanje trajanja stroja i konzultirati liječnika.

### OPASNOSTI RADNOG PODRUČJA

Temeljito pregledajte cijelo radno područje i pomoću grablje ili dvorišne četke ručno otpustite krhotine i uklonite sve što bi stroj mogao projicirati, biti opasan izvor ili uzrokovati oštećenje stroja ako se preгази (kamenje, grane, željezna žica, kosti itd.). Provjerite da nema prolaznika, životinja ili predmeta koji bi mogli biti oštećeni u krugu od najmanje 15 metara od raspona djelovanja stroja. Radite samo na dnevnom svjetlu, ili s odgovarajućim umjetnim svjetlom, u uvjetima dobre vidljivosti. Pokušajte ne uzrokovati nikakve smetnje buke, samo pomoću ovog stroja u razumno doba dana.

Zauzmi čvrst i uravnotežen položaj. Ako je to moguće, izbjegavajte rad na mokrom, skliskom tlu ili u svakom slučaju na neravnom ili strmom tlu koje operateru ne jamči stabilnost.

### PREOSTALE OPASNOSTI

Stroj je izgrađen modernom tehnologijom i u skladu s priznatim sigurnosnim pravilima. Čak i kada su sve sigurnosne mjere na snazi, neke preostale opasnosti, koje još nisu vidljive, mogu biti prisutne. Operater bi trebao koristiti zdrav razum i poduzeti potrebne mjere opreza kako bi izbjegao rizik zbog preostalih opasnosti.

### SPECIFIKACIJE PROIZVODA

#### NAMJENA

Ovaj stroj je dizajniran i proizveden za uzgoj tla za sadnju obradom npr u staklenicima, voćnjacima, vrtovima.

Štoviše, nakon što je opremljen relativnim uređajima i alatima, može se koristiti za druge aplikacije kao što su jarku, ridging, podizanje krumpira itd. Svaka druga uporaba koja se razlikuje od gore navedenih može biti opasna, naštetiti ljudima i oštetiti stvari i sam stroj.

### NEPRAVILNA UPORABA

Stroj se ne smije koristiti za obradu opasnih materijala, npr.

Ostali primjeri nepravilne uporabe mogu uključivati, ali nisu ograničeni, na rad stroja:

- ▶ Bez originalne dodatne opreme koju isporučuje proizvođač.
- ▶ S originalnim priborom, ali na način koji nije u skladu s uputama.
- ▶ Bez originalnih rezervnih dijelova.
- ▶ Uz neovlaštene modifikacije.
- ▶ Od strane više od jedne osobe.

### TEHNIČKI PODACI STRANICA 77

#### IDENTIFIKACIJA (SL. 1)

1. Ručica kvačila
2. Prigušič
3. Spremnik goriva
4. Filtar zraka
5. Starter prianjanje
6. Obrada tines montaže
7. Blatni blatni blatobran
8. Mjenjač
9. Vodič za dubinsko podešavanje
10. Ručica mjenjača
11. Ručica podešavanja visine ručke
12. Obrnuta poluga
13. Ručica gasa
14. UKLJUČEN / ISKLJUČEN PREKIDAČ

### OPERACIJA

#### PRIPREMA JEDINICE

Raspakiravanje i dovršavanje sklopa treba obaviti na ravnoj i stabilnoj površini, s dovoljno prostora za pomicanje stroja i njegove ambalaže, uvijek koristeći odgovarajuću opremu. Skupštinu bi trebalo provoditi obučeno osoblje u najbližem trgovcu, gdje je to potrebno.

#### Vodič za dubinsko podešavanje

Izvcite sigurnost (Sl. 2.1) i pin (Sl. 2.2) iz priključne trake (Sl. 2.3). Postavite vodič za podešavanje dubine obrade (Sl. 2.4) u spojini bar i sastavite zajedno s iglom i sigurnošću. Postavite sklop (Sl. 3.4) u položaj na glavnom tijelu podmoda (Sl. 3.2) i osigurajte sigurnosnom iglom (Sl. 3.3).

#### Alat za obradu

Sklop konzervi za obradu (Sl. 1.16) sastoji se od tri seta od četiri oštrice (ukupno dvanaest oštrica) i bočnog diska za svaku stranu. Svaka strana tine obično će biti unaprijed sastavljena u tvornici i spremna za uklanjanje stroja. U slučaju da je potrebno sastavljanje limenki, predlažemo da ga izvodi samo obučeno osoblje u najbližoj trgovini. Za sastavljanje desne bočne tine (Sl. 3.1) na želju, pažljivo nagnite stroj ulijevo, stavite tine na osovinu izlazne osovine (Sl. 3.7) i zaključajte ga u položaj s predviđenom iglom (Sl. 3.9) i sigurnošću (Sl. 3.8). Da biste sastavili lijevu bočnu tine (Sl. 3.5) na podložak, pažljivo naslonite stroj udesno, stavite tine na osovinu izlazne osovine i zaključajte ga u položaj s predviđenim pinom i sigurnošću.

### Blatobrani

Pobirnite se da oprema za obradu blatnih blatnih blata (Sl. 1.7) bude sigurno sastavljena u položaju. Ako blatobrani nisu unaprijed sastavljeni od strane proizvođača, upotrijebite predviđene matice, vijke i adapter za sastavljanje lijevih i desnih blatobrana.

### Ručka operacije

Sastavite priključne cijevi (Sl. 4.1) u položaju na mjenjaču (Sl. 4.2) s četiri predviđena vijka. Sastavite ručku (Sl. 5.3) na priključnu cijev (Sl. 5.2) i zategni ručicu podešavanja visine ručke (Sl. 5.1) kako biste zaključali ručku u položaju.

### Podešavanje visine ručke rada

Visinu ručme rada možete podesiti tako da obavite ručicu podešavanja visine ručke (Sl. 1.11), postavite kut ručme operacije po želji (preporučuje se visina struka) i ponovno zategne polugu u položaju.

### Ručica mjenjača

Postavite ručicu mjenjača (Sl. 6.2) u položaj kroz potporu (Sl. 6.1) na cijev za priključak ručke, u mjenjač (Sl. 6.3) i osigurajte perlicom i sigurnošću.

### Kabeli kvačila, rikverca i gasa

Ugradnju bilo kakvih kabela povezanih s kvačilom, rikvercom ili gasom, koje proizvođač već nije unaprijed sastavio, trebalo bi obavljati samo obučeno osoblje u najbližem trgovcu.

## PODMAZIVANJE I PODMAZIVANJE

### UPOZORENJE:

Stroj se isporučuje bez ulja i goriva.

Ovaj proizvod opremljen je 4-moždanim motorom što znači da benzin treba koristiti u spremniku goriva (Sl. 1.3), a motor treba napuniti uljem. Štoviše, ipak je opremljen mjenjačem, koji bi također trebao biti podmazan uljem.

### NAPOMENA:

Koristite lijevjak kako biste izbjegli prolijevanje goriva ili ulja.

Specifikacije goriva: Bezoličani benzin ili 90 oktana višeg.

### UPOZORENJE:

Uvijek koristite čisti spremnik za skladištenje goriva i ne koristite gorivo pohranjeno više od mjesec dana.

Specifikacije ulja: Za opću uporabu (5°C - 38°C) preporučeno ulje je SAE 10W40 (Sl. 10).

Napuniti stroj gorivom:

1. Uklonite čep spremnika za gorivo (Sl. 7.1).
2. Dodajte gorivo u gornju razinu spremnika za gorivo. Ostavite minimalno 5 mm prostora između vrha goriva i unutarnjeg ruba spremnika kako biste omogućili širenje. Polovica duljine (Sl. 7.3) filtra za čep spremnika goriva (Sl. 7.2) također može raditi kao znak gornje razine goriva, gdje je dostupna.
3. Repozicioniranje čepa spremnika goriva i zatezanje na odgovarajući način.

Za punjenje motora uljem:

1. Izvadite čep za punjenje ulja (Sl. 8.3) iz vrata punila motornog ulja (Sl. 8.2). Donji dio je indika-

tor razine ulja.

2. Postupno dodajte dovoljno ulja da dovedete razinu ulja između gornje (Sl. 8.4) i niže (Sl. 8.5) granice na indikatoru razine ulja. Mjerenje treba obaviti s postavljenim dipstickom, ali ne i pričvršćenim, u vratu punila.
3. Repozicionirajte čep za punjenje ulja i zategnite na odgovarajući način.

Za punjenje mjenjača uljem:

1. Izvadite čep za punjenje ulja iz mjenjača (Sl. 1.8) vrat za punjenje ulja. Donji dio je indikator razine ulja.
2. Postupno dodajte dovoljno ulja da dovedete razinu ulja između gornje (Sl. 9.1) i niže (Sl. 9.2) ograničenja na pokazatelj razine ulja.
3. Repozicionirajte čep za punjenje ulja i zategnite na odgovarajući način.

Za punjenje filtra zraka uljem (primjenjivo samo na filter zraka tipa uljne kupke):

1. Uklonite poklopac filtra zraka (Sl. 11.1) i element filtra zraka (Sl. 11.2) iz filtra zraka (Sl. 1.4).
2. Postupno dodajte dovoljno ulja da dovedete razinu ulja do gornje granice na pokazatelju razine ulja.
3. Repozicionirajte element filtra zraka.
4. Repozicionirajte poklopac filtra zraka i zategnite na odgovarajući način.

### UPOZORENJE:

Obrišite proliveno gorivo i ulje prije pokretanja motora.

### POKRETANJE JEDINICE

Prije pokretanja stroja:

1. Provjerite jeste li i stroj i vi na stabilnom tlu.
2. Provjerite jesu li svi pričvršćivači osigurani na poziciji.
3. Pripremite pribor i provjerite jesu li ispravno montirani.
4. Provjerite je li filter zraka čist i jesu li usis zraka i ispušni plinovi začepljeni nikakvim stranim materijalima.
5. Napunite potrebnom količinom ulja i goriva.
6. Provjerite je li ručica kvačila (Sl. 1.1) odložena i da je ručica mjenjača (Sl. 1.10) u neutralnom položaju, kako bi se spriječilo nekontrolirano kretanje podlozaka.

Za pokretanje stroja:

1. Pomakni ručicu ventila za gorivo (Sl. 12.2) u položaj "ON".
2. Pomakni ručicu za gušenje (Sl. 12.1) u položaj "ON".

### NAPOMENA:

Ovaj korak se odnosi samo na hladno pokretanje motora. Kada je motor već topao ili je temperatura okoliša visoka, poluga za gušenje trebala bi biti u "OFF" položaju u svakom trenutku.

3. Pomakni prekidač ON / OFF (Sl. 1.14) u položaj "ON" (Sl. 16).
4. Pomakni ručicu gasa (Sl. 1.13) u položaj "L" (mala brzina) (Sl. 13).
5. Čvrsto pritanjajte lijevom rukom ručku stroja i početnim pritanjanjem motora desnom rukom (Sl. 14). Povucite starter stisak dok ne osjetite otpornost da uključite motor, a zatim povucite čvrsto za pokretanje motora.

**UPOZORENJE:**

Da biste izbjegli razbijanje starter užeta, nemojte povlačiti cijelu duljinu ili ga pustite da klizi uz rub otvora kablenskog vodiča. Otpustite starter postupno, kako biste izbjegli dopuštanje da nekontrolirano leti natrag.

- Kako se motor zagrijava, postupno pomičite polugu za gušenje u položaj "OFF", ako je motor bio hladan.

**NAPOMENA:**

Za maksimalne performanse i pouzdanost, omogućite motoru da se zagrije prije rada, radeći ga dvije do tri minute u 2 sata pri brzini u tavu

**UPRAVLJANJE JEDINICOM****Ručica kvačila**

Povucite ručicu kvačila (Sl. 15.1) prema ručki (Sl. 15.B) i držite je na mjestu kako biste pokrenuli mašu prema odabranoj brzini. Postupno puštanje poluge kvačila u neutralni položaj (Sl. 15.A) zaustavit će kretanje šmoklja.

**UPOZORENJE:**

Ručica kvačila mora se objaviti prije rada ručicu mjenjača.

**Obrnuta poluga**

Pomakni ručicu mjenjača u položaj "R" (obrnuto). Desnom rukom povucite ručicu prema ručki kako biste uključili brzinu unatrag i zadržali je na mjestu. Zatim, lijevom rukom povucite ručicu kvačila prema ručki i držite je na mjestu kako biste pogurali vijah unatrag. Postupno puštanje poluge kvačila u neutralni položaj zaustavit će kretanje šmoklja.

**UPOZORENJE:**

Obrnuta poluga mora se objaviti prije rada ručicu mjenjača. Obrnutom polugom nikada se ne smije upravljati dok je ručica mjenjača u bilo kojem od prednjih stupnjeva prijenosa.

**Ručica gasa**

Željena brzina motora može se postaviti pomicanjem ručica brzine motora između "H" i "L", za veliku i nisku brzinu (Sl. 13).

**UPOZORENJE:**

Brzina motora mora se svesti na minimum prije rada kvačila.

**Ručica mjenjača**

Pomaknite ručicu mjenjača u željeni položaj kako biste odabrali način na koji će vaša žesći biti pogonjena:

- ▶ R : brzina unatrag
- ▶ 0 : neutralna brzina
- ▶ 1 : prednji zupčanik broj jedan
- ▶ 2 : naprijed zupčanik broj dva

**NAPOMENA:**

Zupčanici "R" i "O" dijele isti položaj ručice mjenjača.

**NAPOMENA:**

U slučaju da ručica mjenjača neće uključiti željenu brzinu, zaustavite motor. Zatim povucite ručicu kvačila i ručno pomaknite kopaču lagano natrag i naprijed kako biste premjestili zupčanike unutar mjenjača.

**ZAUSTAVLJANJE JEDINICE**

Da biste zaustavili stroj:

- Smanjite brzinu motora pomicanjem ručice gasa u položaj "L".
- Otpustite ručicu kvačila kako biste spriječili pomicanje češera.
- Otpustite obrnutu polugu, ako je šipak bio u obrnutom pogonu.
- Pomakni ručicu mjenjača u neutralni položaj.
- Pomakni prekidač UKLJUČEN / ISKLJUČEN U POLOŽAJ "ISKLJUČENO".
- Pomakni ručicu ventila za gorivo u položaj "OFF".

**ODRŽAVANJE I ČIŠĆENJE****UPOZORENJE:**

Nikada ne radite održavanje ili čišćenje s jedinicom koja radi. Uvijek radi na cool jedinici. Prije čišćenja ili obavljanja radova održavanja odspojite kapu svjećice i pročitajte relevantne upute. Uvijek nosite odgovarajuću odjeću i zaštitne rukavice kad god su vam ruke ugrožene.

Sva podešavanja ili operacije održavanja koje nisu opisane u ovom priručniku mora provesti vaš dealer ili specijalizirani servisni centar s potrebnim znanjem i opremom kako bi se osiguralo da se posao obavlja ispravno održavajući izvornu razinu sigurnosti stroja. Sve operacije koje se obavljaju u neovlaštenim centrima ili od strane nekvalificiranih osoba u potpunosti će poništiti Jamstvo i sve obveze i odgovornosti Proizvođača.

Držite sve matice i vijke čvrsto kako biste bili sigurni da je stroj uvijek u sigurnom radnom stanju. Ru-tinsko održavanje ključno je za sigurnost i održavanje visoke razine performansi.

**UPOZORENJE:**

Nikada ne koristite stroj s istrošenim ili oštećenim dijelovima. Neispravni ili dotrajali dijelovi uvijek se moraju zamijeniti i ne povlačiti. Koristite samo originalne rezervne dijelove.

**RASPORED ODRŽAVANJA**

Predmeti		Frekvencija				
		Prije svake upotrebe	Nakon 1. mjeseca ili 5 sati rada	Svaka 3 mjeseca ili 25 sati rada	Svaki 6 mjeseci ili 50 sati rada	Svaki 12 mjeseci ili 100 sati rada
Kompletna jedinica	Vizualna perspektiva	√				
	Osigurajte pričvršćivače	√				
Kontrolne ručke	Ček	√*				
Zupci i noževi za obradu tla	Ček	√*				
Ulje motora	Provjeri-napuni	√				
	Zamijeniti		√		√	



Frekvencija		Prije svake upotrebe	Nakon 1. mjeseca ili 5 sati rada	Svaka 3 mjeseca ili 25 sati rada	Svaki 6 mjeseci ili 50 sati rada	Svaki 12 mjeseci ili 100 sati rada
Ulje mjenjača	Provjeri-napuni	√				
	Zamijeniti					√**
Veze	Podmazati			√		
Zračni filter	Ček - Čist	√*	√*	√*		
	Zamijeniti					√
Svječica	Ček - Prilagodi				√*	
	Zamijeniti					√
Filter goriva	Čist			√		
Cijev za gorivo	Ček					√*
Čaša sedimenta karburatora	Čist				√	
Zazor ventila	Ček - Prilagodi					√**

\*Po potrebi ove stavke treba zamijeniti.

\*\*Ove predmete treba održavati i popravljati samo ovlašteni prodavač koji ima odgovarajući alat i potrebne mehaničke vještine.

## ALAT ZA OBRADU

Povremeno provjerite obradu limenki za trošenje ili oštećenje. Oštećeni dijelovi moraju se zamijeniti prije ponovnog rada. Trošenje noževa negativno će utjecati na sposobnost obrade stroja i treba ih zamijeniti ako je potrebno.

## POLUGE KVAČILA, RIKVERCA I GASA IGRAJU

Mala podešavanja na već prethodno sastavljenoj spojki, kabelima za vožnju unatrag i gasom mogu se obaviti pomoću matice i šipke na svakom kabelu sa strane poluge. Ako udaljenost putovanja nije ispravna, olabavite maticu za zaključavanje i prilagodite se po igri okretanjem vijka podešavanja prema potrebi. Kada završite, zategnite maticu za zaključavanje i ponovno provjerite ima li pravilnog rada poluge kvačila.

Nakon bilo kakvog povezanog podešavanja, pobrinite se da se poluge kvačila, rikverca ili gasa pomiču iz jednog položaja u drugi bez potrebe za prekomjernom silom i da se šipkama kvačila, rikverca ili gasa na mjenjaču ili motoru može upravljati u punom rasponu.

## NAPOMENA:

Preporučuje se da takve prilagodbe obavlja samo obučeno osoblje u najbližoj trgovini, kako bi se osigurali izvorni sigurnosni standardi stroja.

## PODMAZIVANJE UPOZORENJE:

Provjeru razine i promjenu ulja treba obaviti na čvrstom i izravnom tlu. Motor mora biti zaustavljen cijelo vrijeme. Ako je motor radio, bit će vruće i postupak treba obaviti s oprezom i potrebnim mjerama opreza kako bi se izbjegla opasnost od opekline.

## NAPOMENA:

Ocijedite korišteno ulje dok je motor topao. Toplo ulje se brzo i potpuno cijedi.

## Motorno ulje

Da biste provjerili razinu ulja:

1. Uklonite kapicu za punjenje ulja s vrata punila za ulje motora.
2. Obrišite indikator razine ulja.
3. Umetnite kapu za punjenje ulja u vrat punila ulja, bez da ga.
4. Uklonite kapicu punila i provjerite razinu ulja prikazanu na indikatoru razine ulja. Ako je potrebno, dodajte dovoljno ulja da dovedete razinu ulja između gornje i donje granice na pokazatelju razine ulja.
5. Repozicionirajte čep za punjenje ulja i zategnite na odgovarajući način.

Za promjenu ulja:

1. Uklonite kapicu za punjenje ulja s vrata punila za ulje motora.
2. Stavite prikladnu posudu ispod čepa za odvod ulja (Sl. 8.1) kako biste uhvatili korišteno ulje.
3. Uklonite čep za odvod ulja i pustite da se ulje potpuno ocijedi.
4. Repozicionirajte čep za odvod ulja i prikladno se zategnite.
5. Postupno dodajte dovoljno ulja da dovedete razinu ulja između gornje i donje granice na pokazatelju razine ulja.
6. Repozicionirajte čep za punjenje ulja i zategnite na odgovarajući način.

## NAPOMENA:

Ako motor često radi u iznimno prašnjavim ili drugim teškim okolnostima, promijenite motorno ulje svakih 25 sati.

## UPOZORENJE:

Pokretanje motora će niska razina ulja uzrokovati oštećenje motora.

## Ulje mjenjača

Da biste provjerili razinu ulja:

1. Izvadite čep za punjenje ulja s vrata mjenjača za punjenje ulja.
2. Provjerite razinu ulja. Ako je potrebno, napunite s dovoljno ulja da dovedete razinu ulja između gornje i donje granice na pokazatelju razine ulja.
3. Stavite kapicu za punjenje ulja u položaj i prikladno stegnite.

Za promjenu ulja:

- Operaciju promjene ulja mjenjača trebao bi obaviti vaš Dealer ili specijalizirani servisni centar s potrebnim znanjem i opremom.

## UPOZORENJE:

Pokretanjem skovača niska razina ulja mjenjača uzrokovat će oštećenje mjenjača.

**Podmazivanje veza**

Podmazite veze svakih deset sati rada, kao i prije skladištenja dugog vremenskog razdoblja motornim uljem ili čistom krpom vlažnom uljem.

**FILTAR ZRAKA****UPOZORENJE:**

Upravljanje motorom bez sredstva za čišćenje zraka ili oštećenim sredstvom za čišćenje zraka omogućit će ulazak prljavštine u motor, što uzrokuje brzo trošenje motora.

Za provjeru, čišćenje ili promjenu filtra zraka (Sl. 11):

1. Uklonite poklopac filtra zraka.
2. Provjerite je li element filtra zraka bez prljavštine i u dobrom stanju. Ako je prljav, uklonite ga i očistite.
  - ▶ Da biste očistili element filtra za zrak od pjene, operite ga kućnim deterdžentom i vrućom vodom i pustite da se osuši. Zatim ga namočite u čisto zasićeno motorno ulje i lagano istisnite višak ulja. Ako je potrebno, zamijenite ga novim.
  - ▶ Da biste očistili element filtra za zrak na papiru, očistite lagano prljavštinu laganim snimanjem nekoliko puta na tvrdj površini i zamijenite ako je prisutna teška prljavština.
3. Očistite unutrašnjost filtra za zrak i pokrijte od prljavštine mekom krpom. Ako je motor opremljen filtrom zraka tipa uljne kupke, zamijenite ulje novim motornim uljem.
4. Ponovno instalirajte element filtra zraka i slijedite obrnuti postupak kako biste vratili u položaj poklopac filtra zraka.

**UPOZORENJE:**

Nikada ne čistite filter zraka zapaljivim ili niskim deterdžentima bljeskalice kako biste izbjegli rizik od požara ili eksplozije.

**NAPOMENA:**

Ako motor često radi u prašnjavim ili drugim teškim okolnostima, očistite filter zraka svakih 10 sati i dodajte mu promjenu ulja novim. Ako je potrebno, promijenite element filtra zraka svakih 25 sati.

**SVJEĆICA**

Za održavanje svjeće (Sl. 17.1):

1. Uklonite kapu svjeće da biste pristupili svjećici.
2. Upotrijebite odgovarajući alat za svjećice (Sl. 17.2) kako biste pažljivo uklonili svjećice.
3. Pregledajte stanje svjećice i njezine elektrode. Mora biti čista i ne nosi se. Provjerite je li razmak svjećice između 0,7 i 0,8 mm (Sl. 17). Po potrebi zamijenite svjećica novom.
4. Pažljivo ručno navucite svjećica u motor.
5. Nakon navoja upotrijebite odgovarajući alat za svjećice kako biste zategnuli svjećica, obračunajući pozornost da ne koristite prekomjernu silu koja oštećuje niti.
6. Ponovno pričvrstite kapu svjećice.

**UPOZORENJE:**

Nikada ne dopustite da prljavština ili krhotine uđu u cilindar. Prije uklanjanja svjećice temeljito očistite svjećica i područje glave cilindra.

**ŠALICA ZA SEDIMENT GORIVA****UPOZORENJE:**

Održavajte karburator goriva samo na otvorenom i u dobro prozračenim prostorima.

Za održavanje spremnika sedimenta goriva:

1. Okrećite ventil za gorivo u položaj "OFF".
2. Uklonite čašu sedimenta karburatora goriva (Sl. 18.2) s gumenim brtvenim prstenom (Sl. 18.1).
3. Uklonite dijelove operite u otapalu, temeljito ih osušite.

**UPOZORENJE:**

Nikada ne čistite spremnik sedimenta goriva zapaljivim ili niskim deterdžentima s bljeskalicom kako biste izbjegli rizik od požara ili eksplozije.

4. Po potrebi zamijenite gumene pečatni prsten novim.
5. Ponovno instalirajte prsten gumene brtve i sedimentne čaše i osigurajte položaj.
6. Okrećite ventil za gorivo u položaj "ON" i provjerite ima li curenja goriva.

**FILTAR GORIVA**

Spremnik goriva može biti opremljen filtrom, ovisno o modelu mašine, koji se nalazi na gornjoj granici spremnika goriva. Filtar za gorivo može se odabrati i treba ga povremeno provjeravati. Ako je filtari prljav, očistite ga i zamijenite novim kada je to potrebno. U slučaju da je unutrašnjost spremnika za gorivo prljava, može se očititi ispiranjem spremnika goriva čistim benzinom.

**ČIŠĆENJE**

Malom mekom četkom očistite vanjsku stranu jedinice. Nemojte koristiti jake deterdžente. Sredstva za čišćenje kućanstva koja sadrže aromatična ulja poput bora i limuna te otapala poput kerozina mogu oštetiti plastično kućište ili ručku. Obrišite vlagu mekom krpom. Limenke i blatobrani mogu se očistiti vodom pomoću vrtnog crijeva.

**POHRANA****UPOZORENJE:**

Nikada ne skladištite jedinicu s gorivom u spremniku i uvijek dopustite jedinici da se ohladi prije skladištenja. Jedinicu čuvajte samo u suhim i dobro prozračenim prostorima.

U slučaju da će jedinica biti pohranjena dulje vrijeme, upotrijebite sljedeći postupak pohrane:

1. Ocijedite svo gorivo iz spremnika goriva.
2. Pokrenu motor i dopusti mu da radi dok ne zastane. To osigurava da je svo gorivo isušeno iz karburatora.
3. Zamijenite motorno ulje novim.
4. Zamijenite ulje mjenjača novim.
5. Zamijenite ulje filtra zraka novim, ako je filtari zraka vrsta uljne kupke.
6. Uklonite svjećica i stavite 30 ml visokokvalitetnog motornog ulja u cilindar. Polako povucite početno ulje kako biste distribuirali ulje. Ponovno instalirajte svjećica.
7. Temeljito očistite jedinicu i pregledajte ima li labavih ili oštećenih dijelova. Popravite ili zamijenite oštećene dijelove i zategnite labave vijke, matice ili vijke.

8. Podmazujte sve dijelove potrebne uljnom vlažnom krpom kako biste izbjegli nagrađivanje hrđe.

## ZAŠTITA OKOLIŠA

Reciklirajte sirovine umjesto odlaganja kao otpad. Stroj, pribor i ambalaža trebaju biti razvrstani za recikliranje pogodno za okoliš. Plastične komponente označene su za kategorizirano recikliranje. Odložajte rabljeno motorno ulje i spremnike na način koji je kompatibilan s okolišem. Predlažemo da ga odnesete u zapečaćenom spremniku u svoj lokalni reciklažni centar ili servisna stanica za obnovu. Nemojte ga bacati u smeće, sipati na tlo ili sipati u odvod.

## JAMSTVO

Ovaj proizvod je opravdan u skladu s pravnim / zemlja specifičnim propisima, koji stupaju na snagu od datuma kupnje od strane prvog korisnika. Šteta koja se može pripisati normalnom trošenju, preopterećenju ili nepravilnom rukovanju bit će isključena iz jamstva. U slučaju potraživanja, pošaljite stroj, potpuno sastavljen, vašem trgovcu ili službenom servisnom centru.

## ROMÂNĂ

### AVERTISMENTE GENERALE DE SIGURANȚĂ

Citiți și înțelegeți acest manual al proprietarului înainte de a opera acest produs. Puteți ajuta la prevenirea accidentelor prin familiarizarea cu comenzile produsului dumneavoastră și prin respectarea procedurilor de operare sigure și a semnelor de siguranță. Folosiți-vă întotdeauna bunul simț pentru a evita toate situațiile considerate dincolo de capacitatea dumneavoastră. Nu utilizați în timp ce sunteți obosit sau sub influența drogurilor, alcoolului sau a oricărui alt medicament. Păstrați trecătorii și animalele care ar putea fi rănit, precum și elemente care ar putea fi deteriorate departe, în timp ce de operare. Nu permiteți niciodată copiilor sau persoanelor care nu sunt familiarizate cu aceste instrucțiuni să utilizeze produsul. Legile locale pot limita vârsta minimă a operatorului. Rețineți că operatorul sau utilizatorul este responsabil pentru accidente sau evenimente neașteptate care au loc altor persoane, animale sau bunurile acestora. Nu expuneți produsul la umiditate excesivă, praf, murdărie sau vapori corozivi. Nu montați echipamente sau accesorii pe aparatul care nu sunt prevăzute sau aprobate de producător. Nu încercați niciodată să modificați produsul. Modificările sau accesoriile neautorizate pot duce la vătămări corporale grave sau la decesul operatorului sau al altor persoane. Consultați distribuitorul autorizat pentru demontare și service, care nu sunt acoperite în acest manual. Dacă se întâmplă ceva sau se produce un accident în timpul lucrului, opriți imediat aparatul și îndepărtați-l pentru a preveni deteriorarea ulterioară. În cazul în care corpul străin a intrat în mașină, opriți-l imediat, inspectați-l pentru orice deteriorare și să facă reparații înainte de a începe din nou.

### ECHIPAMENT DE PROTECȚIE

Asigurați-vă că utilizați echipament de protecție adecvat și certificat atunci când utilizați unitatea. Purtați întotdeauna îmbrăcăminte care nu împiedică mișcările, mănuși de protecție, ochelari de protecție, aparat respirator cu semimasca, protecție pentru urechi și cizme de protecție antiderapante cu talpă antiderapantă. Nu purtați niciodată eșarfe, coliere sau accesorii suspendate sau care bat din palme și îmbrăcăminte care ar putea prinde în mașină. Leagă-ți părul dacă e lung.

### PERICOLE DE OTRĂVIRE

Acționați numai în aer liber și în zone bine ventilate. Atunci când rulează, motorul epuizează monoxidul de carbon otrăvitor, un gaz inodor și incolor. Inhalarea monoxidului de carbon va provoca greață, leșin sau deces. Nu folosiți aparatul într-un spațiu închis unde se poate dezvolta vapori periculoși de monoxid de carbon sau în apropierea ferestrelor deschise.

Combustibilul și uleiul sunt extrem de toxice. Nu inhalați gaze de evaporare a combustibilului și purtați întotdeauna echipament de protecție adecvat atunci când le manipulați. Depozitați întotdeauna combustibilul și uleiul în recipiente aprobate și aruncați-le în mod responsabil.

## PERICOL DE INCENDIU ȘI ARDERE

Unele părți ale mașinii se încălzesc suficient de tare pentru a aprinde materiale inflamabile. A nu se utiliza în zonele cu risc ridicat de incendiu. Nu îndreptați amortizorul de zgomot și, prin urmare, gazele de eșapament către materiale inflamabile. Unele părți ale mașinii obțin suficient de fibre pentru a provoca daune arde. Fiți atenți să nu le atingeți pentru a evita arderea. Lăsați aparatul să se răcească înainte de a-l depozita. Benzina și uleiul sunt inflamabile. Urmați instrucțiunile furnizate de fiecare producător înainte de utilizare. Sursele potențiale de foc sau scântee trebuie ținute la distanță în orice moment. Nu fumați în apropierea aparatului sau a combustibilului și uleiului. Realimentați numai în aer liber, într-o zonă bine ventilată, cu motorul oprit. Deschideți încet rezervorul de combustibil pentru a permite ca presiunea din interior să scadă treptat. Nu umpleți rezervorul de combustibil. Asigurați-vă că există o anumită distanță între orice rezervor de benzină de rezervă și unitatea, pentru a preveni pericolul inutil. Asigurați-vă că orice și toate vârsat de combustibil și ulei a fost șters înainte de a porni motorul.

În cazul producerii unui incendiu, utilizați un extingtor adecvat, special conceput pentru incendii de țigări și benzină.

## AVERTISMENTE PRIVIND SIGURANȚA CATEGORIILOR

### FUNCȚIONARE ÎN CONDIȚII DE SIGURANȚĂ

Toate părțile de funcționare ale mașinii trebuie să se deplaseze ușor dintr-o poziție în alta și nu trebuie să fie necesare pentru forțare. Ambreiajul și manetele de mers înapoi (dacă este cazul) trebuie să revină automat și rapid în poziția neutră. Cablurile electrice și, în special, cablul bujiei trebuie să fie în stare perfectă pentru a evita generarea oricăror scântee, iar capacul bujiei trebuie să fie montat corect pe bujie. Mănerile și dispozitivele de protecție trebuie să fie curate și uscate, precum și fixate în siguranță pe mașină. Verificați întotdeauna dacă există obiecte care pot bloca ecranul de admisie a aerului înainte de a începe lucrul. Un aport de aer înfundat reduce performanța mașinii și crește temperatura de lucru a motorului, ceea ce poate duce la defectarea motorului.

Asigurați-vă că opriți motorul:

- ▶ La montarea sau îndepărtarea accesoriilor.
- ▶ Atunci când se deplasează între zonele de lucru sau deasupra zonelor pavate și obstacolele de la sol.
- ▶ Ori de câte ori lăsați aparatul nesupravegheat.
- ▶ În timpul realimentării.
- ▶ În timpul curățării sau întreținerii.
- ▶ În timpul transportului.
- ▶ Înainte de depozitare.

### PERICOLE PENTRU PIESE ROTATIVE

Piese rotative pot provoca vătămări grave. Evitați contactarea pieselor rotative atunci când acestea sunt încă în rotație. Nu puneți niciodată

măinile sau picioarele sub șasiul motocoasa sau în apropierea echipamentului de arat în timp ce motorul funcționează și mergeți întotdeauna în spatele motocoasa. Nu folosiți niciodată motorul fără capacul centurii (dacă este cazul).

### PERICOL DE ZGOMOT ȘI VIBRAȚII

Nivelurile de zgomot și vibrații indicate în aceste instrucțiuni sunt nivelurile maxime de utilizare a mașinii. Întreținerea insuficientă are un impact semnificativ asupra emisiilor de vibrații și zgomot. Prin urmare, este necesar să se ia măsuri preventive pentru a elimina posibilele daune cauzate de nivelurile ridicate de zgomot și stres de vibrații. Mențineți bine aparatul, purtați dispozitive de protecție a urechii, mănuși anti-vibrații și luați pauze în timpul lucrului. Funcționarea mașinii cu o viteză stabilă și prinderea mânerelor ferm cu o forță adecvată poate reduce nivelul de vibrație. În timpul unei zile de lucru, trebuie să luați pauze frecvente și adecvate pentru a preveni deteriorarea vibrațiilor și deteriorarea urechilor. Expunerea prelungită la vibrații poate provoca leziuni și tulburări neurovasculare, în special la persoanele care suferă de tulburări de circulație. Simptomele pot privi mâinile, încheieturile și degetele și sunt prezentate prin pierderea sensibilității, torpor, mâncărime, durere și decolorare sau modificări structurale ale pielii. Aceste efecte pot fi agravate de temperaturile ambientale scăzute sau prin prinderea excesivă a mânerelor. Dacă apar astfel de simptome, durata de utilizare a aparatului trebuie redusă și trebuie consultat un medic.

### PERICOLE PENTRU ZONA DE LUCRU

Inspectați cu atenție întreaga zonă de lucru și utilizați o greblă sau o perie de curte pentru a slăbi manual resturile și a îndepărta orice ar putea fi proiectat de mașină, să fie o sursă periculoasă sau să provoace deteriorarea mașinii dacă este călcată (pietre, ramuri, sârmă de fier, oase etc.). Verificați dacă nu există trecători, animale sau obiecte care ar putea fi deteriorate în termen de cel puțin 15 metri de gama de acțiune a mașinii.

Lucrați numai pe timp de zi sau cu lumină artificială adecvată, în condiții bune de vizibilitate. Încercați să nu provocați tulburări de zgomot, utilizând acest aparat doar la ore rezonabile ale zilei. Ia pe o poziție fermă și bine echilibrată. Dacă este posibil, evitați lucrul pe teren umed, alunecos sau, în orice caz, pe un teren accidentat sau abrupt, care nu garantează stabilitatea operatorului.

### PERICOLE RĂMASE

Mașina a fost construită folosind o tehnologie modernă și în conformitate cu normele de siguranță recunoscute. Chiar și atunci când toate măsurile de siguranță sunt în vigoare, pot fi prezente unele pericole rămase, care nu sunt încă evidente. Operatorul trebuie să folosească bunul simț și să ia măsurile de precauție necesare pentru a evita riscurile cauzate de pericolele rămase.

## SPECIFICAȚIILE PRODUSULUI

### UTILIZAREA PREVĂZUTĂ

Această mașină este proiectată și fabricată pentru cultivarea solului pentru plantare prin arat, de exemplu, în sere, livezi, grădini.

În plus, după ce a fost echipat cu dispozitive și unelte relative, acesta poate fi utilizat pentru alte aplicații, ar fi amerizarea, debarasarea, ridicarea cartofilor etc.

Orice altă utilizare diferită de cele menționate mai sus ar putea fi periculoasă, ar putea dăuna oamenilor și a deteriora lucrurile și mașina în sine.

### UTILIZARE NECORESPUNZĂTOARE

Aparatul nu trebuie utilizat pentru prelucrarea materialelor periculoase, de exemplu acumularea de produse inflamabile sau explozive, jar fierbinte sau materiale de ardere fără flacără, țigări aprinse, sticlă, obiecte ascuțite, obiecte metalice, pietre și orice alt obiect care ar putea fi periculos pentru mașină, precum și pentru operator, trecători, animale sau bunuri.

Alte exemple de utilizare necorespunzătoare pot include, dar nu se limitează, la funcționarea mașinii:

- ▶ Fără accesoriile originale furnizate de producător.
- ▶ Cu accesoriile originale, dar într-un mod care nu în conformitate cu instrucțiunile.
- ▶ Fără piese de schimb originale.
- ▶ Cu modificări neautorizate.
- ▶ De mai mult de o persoană.

### DATE TEHNICE PAGINĂ 78

#### IDENTIFICARE (FIG. 1)

1. Maneta ambreiajului
2. Eșapament
3. Rezervor de combustibil
4. Filtru de aer
5. Prindere de pornire
6. Asamblarea tilorului dinților
7. Aripa noroioasă
8. Viteze
9. Ghid de reglare a adâncimii de arat
10. Maneta de schimbare a vitezei
11. Maneta de reglare a înălțimii mânerului
12. Manetă inversă
13. Maneta de accelerație
14. Comutator PORNIT /OPRIT

### OPERAȚIUNEA

#### PREGĂTIREA UNITĂȚII

Despachetarea și finalizarea asamblării trebuie să se facă pe o suprafață plană și stabilă, cu suficient spațiu pentru mutarea mașinii și a ambalajului acesteia, făcând întotdeauna uz de echipamente adecvate. Asamblarea trebuie efectuată de personal instruit la cel mai apropiat magazin de dealeri, dacă este necesar.

#### Ghid de reglare a adâncimii de arat

Scoateți siguranța (Fig. 2.1) și acul (Fig. 2.2) din bara de conectare (Fig. 2.3). Așezați ghidajul de

reglare a adâncimii de arat (Fig. 2.4) în bara de conectare și asamblați împreună cu acul și siguranța. Așezați ansamblul (Fig. 3.4) în poziție pe corpul principal al motocoasa (Fig. 3.2) și fixați-l cu acul de siguranță (Fig. 3.3).

#### Instrument de arat

Ansamblu de tune de arat (Fig. 1.16) este format din trei seturi de patru lame (total douăsprezece lame) și un disc lateral pentru fiecare parte. Fiecare parte tine va fi, de obicei, pre-asamblate la fabrică și gata pentru a se potrivi mașinii. În cazul în care este necesară asamblarea dinților, vă sugerăm să fie efectuată numai de către personal instruit la cel mai apropiat magazin de dealeri. Pentru a asambla partea dreaptă (Fig. 3.1) pe motostivuitoare, înclinați cu atenție mașina la stânga, așezați sinusul pe arborele osiei de ieșire (Fig. 3.7) și blocați-l în poziție cu acul prevăzut (Fig. 3.9) și cu siguranța (Fig. 3.8). Pentru a asambla partea stângă (Fig. 3.5) pe motocoasa, înclinați cu atenție mașina spre dreapta, așezați sinusul pe arborele osiei de ieșire și blocați-l în poziție cu acul și siguranța prevăzute.

#### Apărătoare de noroi

Asigurați-vă că apărătoarele de protecție a nămolului de protecție a aratului (Fig. 1.7) sunt asamblate în siguranță în poziție. În cazul în care aripile nu sunt preasamblate de către producător, folosiți piulițele, șuruburile și adaptorul furnizate pentru a asambla apărătoarele din stânga și din dreapta.

#### Ghidaj de operare

Se montează tubul de racordare (Fig. 4.1) în poziție pe cutia de viteze (Fig. 4.2) cu cele patru șuruburi prevăzute. Montați mânerul (Fig. 5.3) pe tubul de conectare (Fig. 5.2) și strângeți maneta de reglare a înălțimii mânerului (Fig. 5.1) pentru a bloca mânerul în poziție.

#### Reglarea înălțimii mânerului de operare

Puteți regla înălțimea mânerului de funcționare prin slăbirea manetei de reglare a înălțimii mânerului (Fig. 1.11), reglarea unghiului mânerului de funcționare după doriți (se recomandă înălțimea taliei) și strângerea manetei din nou în poziție.

#### Maneta de schimbare a vitezei

Așezați maneta de schimbare a vitezei (Fig. 6.2) în poziție prin suportul (Fig. 6.1) de pe tubul de conectare al mânerului, în brațul de schimbare a vitezei (Fig. 6.3) și fixați-vă cu mașina de spălat și de siguranță.

#### Cabluri de ambreiaj, de mers înapoi și de accelerație

Instalarea cablurilor legate de ambreiaj, revers sau accelerație, care nu sunt deja preasamblate de către producător, trebuie efectuată numai de către personal instruit la cel mai apropiat magazin de dealeri.

## ALIMENTARE ȘI LUBRIFIERE

### AVERTIZARE:

Mașina este livrată fără ulei și combustibil.

Acest produs este echipat cu un motor în 4 timpi, ceea ce înseamnă că benzina trebuie utilizată în rezervorul de combustibil (Fig. 1.3), iar motorul trebuie umplut cu ulei. Mai mult decât atât, motorul trebuie echipat cu o cutie de viteze, care ar trebui să fie, de asemenea, lubrifiat cu ulei.

### NOTĂ:

Utilizați o pâlnie pentru a evita deversarea combustibilului sau a uleiului.

Specificații privind combustibilul: Benzină fără plumb sau 90 octanică mai mare.

### AVERTIZARE:

Utilizați întotdeauna recipient curat pentru depozitarea combustibilului și nu folosiți combustibilul depozitat mai mult de o lună.

Specificații ulei: Pentru uz general (5°C - 38°C), uleiul recomandat este SAE 10W40 (Fig. 10).

Pentru a umple aparatul cu combustibil:

1. Scoateți capacul rezervorului de combustibil (Fig. 7.1).
2. Adăugați combustibil la nivelul superior al rezervorului de combustibil. Lăsați un spațiu de minim 5 mm între partea superioară a combustibilului și marginea interioară a rezervorului pentru a permite expansiunea. Jumătate din lungimea (Fig. 7.3) a filtrului capacului rezervorului de combustibil (Fig. 7.2) poate funcționa și ca semn de nivel superior al combustibilului, acolo unde este disponibil.
3. Repoziționați capacul rezervorului de combustibil și strângeți corespunzător.

Pentru a umple motorul cu ulei:

1. Scoateți capacul de umplere cu ulei (Fig. 8.3) de pe gâtul de umplere cu ulei de motor (Fig. 8.2). Partea de jos a acesteia este indicatorul nivelului de ulei.
2. Se adaugă treptat suficient ulei pentru a aduce nivelul de ulei între limita superioară (Fig. 8.4) și inferioară (Fig. 8.5) pe indicatorul nivelului uleiului. Măsurarea trebuie făcută cu dipstick-ul poziționat, dar nu înșurubat, în gâtul de umplere.
3. Repoziționați capacul de umplere cu ulei și strângeți corespunzător.

Pentru a umple cutia de viteze cu ulei:

1. Scoateți capacul de umplere cu ulei din cutia de viteze (Fig. 1.8) gât de umplere cu ulei. Partea de jos a acesteia este indicatorul nivelului de ulei.
2. Se adaugă treptat suficient ulei pentru a aduce nivelul de ulei între limita superioară (Fig. 9.1) și inferioară (Fig. 9.2) pe indicatorul nivelului uleiului.
3. Repoziționați capacul de umplere cu ulei și strângeți corespunzător.

Pentru a umple filtrul de aer cu ulei (aplicabil numai filtrului de aer de tip baie de ulei):

1. Scoateți capacul filtrului de aer (Fig. 11.1) și elementul filtrului de aer (Fig. 11.2) din filtrul de aer (Fig. 1.4).
2. Se adaugă treptat suficient ulei pentru a aduce

nivelul de ulei la limita superioară a indicatorului nivelului de ulei.

3. Repoziționați elementul filtrului de aer.
4. Repoziționați capacul filtrului de aer și strângeți corespunzător.

### AVERTIZARE:

Ștergeți orice combustibil și ulei vărsat înainte de a porni motorul.

### PORNIREA UNITĂȚII

Înainte de pornirea aparatului:

1. Asigurați-vă că atât aparatul și vă aflați pe teren stabil.
2. Verificați dacă toate elementele de fixare sunt fixate în poziție.
3. Pregătiți accesoriile și asigurați-vă că sunt montate corect.
4. Verificați dacă filtrul de aer este curat și dacă aportul de aer și de evacuare nu sunt înfundate de orice materiale străine.
5. Se umple cu cantitatea necesară de ulei și combustibil.
6. Asigurați-vă că maneta ambreiajului (Fig. 1.1) este decuplată și că maneta de schimbare a vitezei (Fig. 1.9) este în poziție neutră, pentru a preveni mișcarea necontrolată a cârmei.

Pentru a porni aparatul:

1. Deplasați maneta supapei de combustibil (Fig. 12.2) în poziția "PORNIT".
2. Deplasați maneta de sufocare (Fig. 12.1) în poziția "PORNIT".

### NOTĂ:

Acest pas se aplică numai la pornirea la rece a motorului. Când motorul este deja cald sau temperatura mediului este ridicată, maneta de sufocare trebuie să fie în poziția "OPRIT" în orice moment.

3. Deplasați comutatorul ON / OFF (Fig. 1.14) în poziția "PORNIT" (Fig. 16).
4. Deplasați maneta de accelerație (Fig. 1.13) în poziția "L" (viteză redusă) (Fig. 13).
5. Prindeți ferm mânerul aparatului cu mâna stângă și mânerul de pornire al motorului cu mâna dreaptă (Fig. 14). Trageți mânerul de pornire până când simțiți rezistență la pornirea motorului și apoi trageți ferm pentru a porni motorul.

### AVERTIZARE:

Pentru a evita ruperea frânghiei de pornire, nu trageți întreaga lungime a acesteia și nu o lăsați să alunece de-a lungul marginii orificiului de ghidare a cablului. Eliberați starterul treptat, pentru a evita să-l lăsați să zboare înapoi necontrolabil.

6. Pe măsură ce motorul se încălzește, mutați treptat maneta de sufocare în poziția "OPRIT", dacă motorul a fost pornit la rece.

### NOTĂ:

Pentru performanță maximă și fiabilitate, lăsați motorul să se încălzească înainte de a funcționa, rulând-o timp de două până la trei minute la viteză de ralanti

### FUNCȚIONAREA UNITĂȚII

#### Maneta ambreiajului

Trageți maneta de ambreiaj (Fig. 15.1) spre mâner (Fig. 15.B) și mențineți-o în poziție pentru a pro-

pulsa cârma în funcție de viteza aleasă. Eliberarea treptată a manetei de ambreiaj în poziție neutră (Fig. 15.A) va opri mișcarea motocoasa.

#### AVERTIZARE:

Maneta ambreiajului trebuie eliberată înainte de a folosi maneta de schimbare a vitezei.

#### Manetă inversă

Deplasați maneta de schimbare a vitezei în poziția "R" (înapoi). Cu mâna dreaptă trageți maneta inversă spre mâner pentru a porni treapta de mers înapoi și mențineți-o în poziție. Apoi, cu mâna stângă trageți maneta ambreiajului spre mâner și păstrați-l în loc pentru a propulsa motocoasa înapoi. Eliberarea treptată a manetei ambreiajului în poziție neutră va opri mișcarea motostivuitoarei.

#### AVERTIZARE:

Maneta inversă trebuie eliberată înainte de a folosi maneta de schimbare a vitezei. Maneta inversă nu trebuie acționată niciodată în timp ce maneta de schimbare a treptei de viteză se află în oricare dintre pozițiile de transmisie din față.

#### Maneta de accelerație

Turația dorită a motorului poate fi setată prin deplasarea manetei de turație a motorului între "H" și "L", pentru turație mare și, respectiv, joasă (Fig. 13).

#### AVERTIZARE:

Turația motorului trebuie redusă la minimum înainte de acționarea ambreiajului.

#### Maneta de schimbare a vitezei

Deplasați maneta de schimbare a vitezei în poziția dorită pentru a alege modul în care va fi propulsată motopropulsorul:

- ▶ R : treaptă de viteză inversă
- ▶ 0 : angrenaj neutru
- ▶ 1 : treapta de viteză numărul unu
- ▶ 2 : treapta de viteză din față numărul doi

#### NOTĂ:

Angrenajele "R" și "O" au aceeași poziție a manetei de schimbare a treptelor de viteză.

#### NOTĂ:

În cazul în care maneta de schimbare a vitezei nu pornește treapta dorită, opriți motorul. Apoi trageți maneta de ambreiaj și deplasați manual motoculivatorul ușor înapoi și înainte pentru a re poziționa treptele de viteză din interiorul cutiei de viteze.

#### OPRIREA UNITĂȚII

Pentru a opri aparatul:

1. Reduceți turația motorului prin mutarea manetei de accelerație în poziția "L".
2. Eliberați maneta de ambreiaj pentru a opri mișcarea motocoasa.
3. Eliberați maneta inversă, dacă mototolul era în funcțiune invers.
4. Deplasați maneta de schimbare a vitezei în poziție neutră.
5. Deplasați comutatorul ON / OFF în poziția "OPRIT".
6. Deplasați maneta supapei de combustibil în poziția "OPRIT".

## ÎNȚEȚINERE ȘI CURĂȚARE

#### AVERTIZARE:

Nu întrețineți sau curățați niciodată cu aparatul în funcțiune. Lucrați întotdeauna la o unitate rece. Înainte de a curăța sau de a face lucrări de întreținere, deconectați capacul bujiei și citiți instrucțiunile relevante. Purațiți întotdeauna îmbrăcăminte adecvată și mănuși de protecție ori de câte ori mâinile sunt în pericol.

Orice reglaje sau operațiuni de întreținere care nu sunt descrise în acest manual trebuie efectuate de către dealer sau de către un centru de service specializat, cu cunoștințele și echipamentele necesare pentru a se asigura că lucrarea este efectuată corect menținând nivelul de siguranță inițial al mașinii. Orice operații efectuate în centre neautorizate sau de persoane necalificate vor anula total Garanția și toate obligațiile și responsabilitățile Producătorului.

Păstrați toate piulițele și șuruburile strânse pentru a vă asigura că mașina este întotdeauna în stare de funcționare sigură. Întreținerea de rutină este esențială pentru siguranță și pentru menținerea unui nivel de înaltă performanță.

#### AVERTIZARE:

Nu folosiți niciodată aparatul cu piese uzate sau deteriorate. Piese defecte sau uzate trebuie întotdeauna înlocuite și nu reparate. Utilizați numai piese de schimb originale.

#### PROGRAMUL DE ÎNȚEȚINERE

Elemente		Frecvență				
		Înainte de fiecare utilizare	După prima lună sau 5 ore de funcționare	La fiecare 3 luni sau 25 de ore de funcționare	La fiecare 6 luni sau 50 de ore de funcționare	La fiecare 12 luni sau 100 de ore de funcționare
Unitate completă	Inspecție vizuală	✓				
	Dispozitive de fixare sigure	✓				
Mănerile de control	Verifica	✓*				
Cuțit și cuțițe	Verifica	✓*				
Ulei de motor	Verificați-Reumpleți	✓				
	A înlocui		✓		✓	
Ulei cutie de viteze	Verificați-Reumpleți	✓				
	A înlocui					✓**
Linkagesil	Lubrifia			✓		
Filtru de aer	Verificați-Curățați	✓*	✓*	✓*		
	A înlocui					✓

Elemente		Frecvență				
		Înainte de fiecare utilizare	După prima lună sau 5 ore de funcționare	La fiecare 3 luni sau 25 de ore de funcționare	La fiecare 6 luni sau 50 de ore de funcționare	La fiecare 12 luni sau 100 de ore de funcționare
Bujie	Verificare-Ajustare				√*	
	A înlocui					√
Filtru de combustibil	Curat			√		
Tub de combustibil	Verifica					√*
Cupă pentru sedimente carburator	Curat			√		
Jocul supapei	Verificare-Ajustare					√**
*Aceste elemente trebuie înlocuite, dacă este necesar.						
**Aceste articole trebuie întreținute și reparate numai de către un dealer autorizat, care are instrumentele adecvate și competența mecanică necesară.						

## INSTRUMENT DE ARAT

Verificați periodic dacă există uzură sau deteriorare. Piesele deteriorate trebuie înlocuite înainte de a folosi din nou motocoasa. Uzura cuțitelor de arat va afecta negativ capacitatea de arat a mașinii și acestea ar trebui să fie înlocuite dacă este necesar.

## AMBREIAJ, REVERS ȘI ACCELERAȚIE MANETE JUCA

Mici ajustări ale cablurilor de ambreiaj, de mers înapoi și de accelerație deja preasamblate se pot face utilizând piulița și șurubul țije pe fiecare cablu de pe partea laterală a manetei. Dacă distanța de deplasare nu este corectă, desprindeți piulița de blocare și reglați prin joc prin rotirea șurubului de reglare, după este necesar. Când ați terminat, strângeți piulița de blocare și verificați din nou dacă este o manetă de ambreiaj adecvată. După orice reglare corelată, asigurați-vă că manetele ambreiajului, ale inversării sau ale accelerației se deplasează dintr-o poziție în alta fără a fi nevoie de forță excesivă și că țijele de ambreiaj, de mers înapoi sau de accelerație de pe cutia de viteze sau, respectiv, motorul pot fi acționate la întreaga lor gamă.

### NOTĂ:

Se recomandă ca aceste ajustări să fie efectuate numai de către personal instruit la cel mai apropiat magazin de dealeri, pentru a asigura standardele de siguranță originale ale mașinii.

## LUBRIFIERE AVERTIZARE:

Verificarea nivelului și schimbarea uleiului ar trebui să se facă pe teren solid și nivel. Motorul trebuie oprit tot timpul. În cazul în care motorul a fost difuzat,

acesta va fi cald și procedura ar trebui să fie făcută cu grijă și măsurile de precauție necesare pentru a evita pericolul de ardere.

### NOTĂ:

Se scurge uleiul folosit în timp ce motorul este cald. Uleiul cald se scurge rapid și complet.

## Ulei de motor

Pentru a verifica nivelul de ulei:

1. Scoateți capacul de umplere de ulei de la gâtul de umplere ulei de motor.
2. Ștergeți indicatorul nivelului uleiului curat.
3. Introduceți capacul de umplere cu ulei în gâtul de umplere a uleiului, fără înșurubarea acestuia.
4. Scoateți capacul de umplere și verificați nivelul de ulei indicat pe indicatorul nivelului de ulei. Dacă este necesar, se adaugă suficient ulei pentru a aduce nivelul de ulei între limita superioară și inferioară a indicatorului nivelului de ulei.
5. Repoziționați capacul de umplere cu ulei și strângeți corespunzător.

Pentru a schimba uleiul:

1. Scoateți capacul de umplere de ulei de la gâtul de umplere ulei de motor.
2. Așezați un recipient adecvat sub dopul de scurgere a uleiului (Fig. 8.1) pentru a prinde uleiul uzat.
3. Scoateți dopul de scurgere a uleiului și lăsați uleiul să se scurgă complet.
4. Repoziționați dopul de scurgere a uleiului și strângeți corespunzător.
5. Se adaugă treptat suficient ulei pentru a aduce nivelul de ulei între limita superioară și inferioară a indicatorului nivelului de ulei.
6. Repoziționați capacul de umplere cu ulei și strângeți corespunzător.

### NOTĂ:

În cazul în care motorul funcționează frecvent în circumstanțe extrem de prăfuite sau în alte circumstanțe severe, schimbați uleiul de motor la fiecare 25 de ore.

### AVERTIZARE:

Rularea motorului va nivel scăzut de ulei va provoca deteriorarea motorului.

## Ulei de cutie de viteze

Pentru a verifica nivelul de ulei:

1. Scoateți capacul de umplere de ulei de la gât de umplere ulei cutie de viteze.
2. Verifică nivelul uleiului. Dacă este necesar, se umple cu suficient ulei pentru a aduce nivelul de ulei între limita superioară și inferioară a indicatorului nivelului de ulei.
3. Așezați capacul de umplere a uleiului în poziție și strângeți corespunzător.

Pentru a schimba uleiul:

Schimbarea uleiului cutiei de viteze trebuie efectuată de către dealer sau de către un centru de service specializat, cu cunoștințele și echipamentele necesare.

### AVERTIZARE:

Rularea motostivuitoare va nivel scăzut de ulei cutie de viteze va provoca deteriorarea cutiei de viteze.



## Lubrifierea legăturilor

Lubrificați legăturile la fiecare zece ore de funcționare, precum și înainte de depozitarea unor perioade lungi de timp cu ulei de motor sau o cârpă curată umedă cu ulei.

## FILTRU DE AER

### AVERTIZARE:

Funcționarea motorului fără un aspirator de aer sau cu un aspirator de aer deteriorat, va permite murdăriei să intre în motor, provocând uzura rapidă a motorului.

Pentru a verifica, curăța sau schimba filtrul de aer (Fig. 11):

1. Scoateți capacul filtrului de aer.
2. Asigurați-vă că elementul filtrului de aer este lipsit de murdărie și într-o stare bună. Dacă este murdar, scoateți-l și curățați-l.
  - Pentru a curăța un element de filtru de aer spumă spălați-l cu detergent de casă și apă caldă și lăsați-l să se usuce. Apoi se înmoaie în ulei de motor curat saturate și stoarce ușor excesul de ulei. Dacă este necesar, înlocuiți-l cu unul nou.
  - Pentru a curăța un element de filtru de aer din hârtie, curățați murdăria ușoară prin înregistrarea ușoară de câteva ori pe o suprafață dură și înlocuiți dacă este prezentă murdărie grea.
3. Curățați interiorul carcasei filtrului de aer și acciperiți-l de murdărie cu o cârpă moale. În cazul în care motorul este echipat cu un filtru de aer de tip baie de ulei, înlocuiți uleiul cu ulei nou de motor.
4. Reinstalați elementul filtrului de aer și urmați procedura inversă pentru a pune din nou în poziție capacul filtrului de aer.

### AVERTIZARE:

Nu curățați niciodată filtrul de aer cu detergenți inflamabili sau cu un punct de aprindere scăzut, pentru a evita riscul unui incendiu sau al unei explozii.

### NOTĂ:

În cazul în care motorul funcționează frecvent în condiții de praf sau alte circumstanțe severe, curățați filtrul de aer la fiecare 10 ore și adăugați schimba uleiul cu nou. Dacă este necesar, schimbați elementul filtrului de aer la fiecare 25 de ore.

## BUJIE

Pentru a menține bujiile (Fig. 17.1):

1. Scoateți capacul bujiei pentru a accesa bujiile.
2. Utilizați o unealtă adecvată pentru bujii (Fig. 17.2) pentru a îndepărta cu atenție bujiile.
3. Inspectați starea bujiei și a electrozului acesteia. Trebuie să fie curată și să nu fie purtată. Verificați dacă diferența dintre bujii este între 0,7 și 0,8 mm (Fig. 17). Înlocuiți bujiile cu una nouă, dacă este necesar.
4. Introduceți cu atenție bujia în motor cu mâna.
5. După filetare, utilizați mașina corespunzătoare pentru a strânge bujiile, acordând atenție utilizării forței excesive care dăunează firelor.
6. Reașezați capacul bujiei.

### AVERTIZARE:

Nu lăsați niciodată murdăria sau resturile să intre în butelie. Înainte de a scoate bujiile, curățați bine bujiile și zona capului cilindrului.

## CUPA SEDIMENTELOR DE COMBUSTIBIL

### AVERTIZARE:

Mențineți carburatorul de combustibil numai în aer liber și în zone bine ventilate.

Pentru a menține cupa sedimentului de combustibil:

1. Rotiți supapa de combustibil în poziția "OPRIT".
2. Se îndepărtează cana de sedimente pentru combustibil carburator (Fig. 18.2) cu inelul său de etanșare din cauciuc (Fig. 18.1).
3. Spălați părțile îndepărtate în solvent, uscați-le bine.

### AVERTIZARE:

Nu curățați niciodată cana de sedimente de combustibil cu detergenți inflamabili sau cu un punct de aprindere scăzut, pentru a evita riscul unui incendiu sau al unei explozii.

4. Înlocuiți inelul de etanșare din cauciuc cu unul nou, dacă este necesar.
5. Reinstalați inelul de etanșare din cauciuc și cupa de sedimente și fixați-l în poziție.
6. Rotiți supapa de combustibil în poziția "POR-NIT" și verificați dacă există scurgeri de combustibil.

## FILTRU DE COMBUSTIBIL

Rezervorul de carburant poate fi prevăzut cu un filtru, în funcție de modelul motorului, situat la capacul rezervorului de combustibil. Filtrul de combustibil poate fi ales și trebuie verificat periodic. Dacă filtrul este murdar, curățați-l și înlocuiți-l cu unul nou atunci când este necesar. În cazul în care interiorul rezervorului de combustibil este murdar, acesta poate fi curățat prin clătirea rezervorului de combustibil cu benzină curată.

## CURĂȚARE

Utilizați o perie mică moale pentru a curăța exteriorul unității. Nu folosiți detergenți puternici. Detergenții de uz casnic care conțin uleiuri aromatice, ar fi pinul și lămâia și solvenții, ar fi kerosenul, pot deteriora carcasa sau mânerul din plastic. Ștergeți orice umiditate cu o cârpă moale. Dinții și aripile pot fi curățate cu apă cu ajutorul unui fur-tun de grădină.

## STOCARE

### AVERTIZARE:

Nu depozitați niciodată aparatul cu combustibil în rezervor și lăsați întotdeauna aparatul să se răcească înainte de depozitare. Depozitați aparatul numai în zone uscate și bine ventilate.

În cazul în care unitatea va fi depozitată pentru o perioadă lungă de timp, utilizați următoarea procedură de stocare:

1. Se scurge tot combustibilul din rezervorul de combustibil.
2. Porniți motorul și lăsați-l să ruleze până când se blochează. Acest lucru asigură că tot combustibilul a fost scurs din carburator.
3. Înlocuiți uleiul de motor cu nou.
4. Înlocuiți uleiul cutiei de viteze cu ulei nou.
5. Înlocuiți uleiul filtrului de aer cu nou, în cazul în care filtrul de aer este de tip baie de ulei.
6. Scoateți bujiile și puneți 30 ml de ulei de motor

de înaltă calitate în cilindru. Trageți încet frânga de pornire pentru a distribui uleiul. Reinstalați bujiile.

7. Curățați bine aparatul și inspectați dacă piesele slăbite sau deteriorate sunt deteriorate. Reparați sau înlocuiți piesele deteriorate și strângeți șuruburile, piulițele sau șuruburile slăbite.
8. Lubrificați toate piesele necesare cu o cârpă umedă cu ulei pentru a evita rugina acumulată.

## PROTECȚIA MEDIULUI

Reciclați materiile prime în loc să aruncați ca deșeurii. Mașinile, accesoriile și ambalajele trebuie sortate pentru reciclare ecologică. Componentele din plastic sunt etichetate pentru reciclare clasificate.

Eliminați uleiul de motor utilizat și recipientele într-un mod compatibil cu mediul. Vă sugerăm să luați într-un container sigilat la centrul local de reciclare sau la stația de service pentru recuperare. Nu-l aruncați la gunoi, turnați-l pe pământ sau turnați-l într-un canal de scurgere.

## GARANȚIE

Acest produs este justificat în conformitate cu reglementările legale / specifice țării, cu efect de la data cumpărării de către primul utilizator. Daunele care pot fi atribuite uzurii normale, supraîncălzirii sau manipularii necorespunzătoare vor fi excluse din garanție. În cazul unei cereri, vă rugăm să trimiteți mașina, complet asamblată, dealerului sau centrului oficial de service.

## MAGYAR

### ÁLTALÁNOS BIZTONSÁGI FIGYELMEZTETÉSEK

termék használata előtt olvassa el és értse meg ezt a használati útmutatót. Segíthet megelőzni a baleseteket, ha ismeri terméke kezelőszerveit, és betartja a biztonságos üzemeltetési eljárásokat és a biztonsági jelzéseket. Mindig használja a józan eszét, hogy elkerüljön minden olyan helyzetet, amely meghaladja képességeit. Ne használja, ha fáradt vagy kábítószert, alkohol vagy bármilyen más gyógyszer hatása alatt áll. Működés közben tartsa távol a szemlélődőket és az állatokat, amelyek megsérülhetnek, valamint azokat a tárgyakat, amelyek megsérülhetnek. Soha ne engedje, hogy gyermekek vagy olyan személyek használják a terméket, akik nem ismerik ezeket az utasításokat. A helyi törvények korlátozhatják az üzemeltető alsó korhatárát. Ne feledje, hogy az üzemeltető vagy a felhasználó felelős a más embereket, állatokat vagy azok tulajdonát érintő balesetekért vagy váratlan eseményekért. Ne tegye ki a terméket túlzott nedvességnek, pornak, szennyeződésnek vagy korrozív gőznek. Ne szereljen a gépre olyan berendezéseket vagy tartozékokat, amelyeket a gyártó nem tervezett vagy nem hagyott jóvá. Soha ne kísérelje meg módosítani a terméket. A nem engedélyezett módosítások vagy tartozékok súlyos személyi sérülést vagy a kezelő vagy mások halálát okozhatják. A jelen kézikönyvben nem szereplő szétzereléssel és szervizeléssel kapcsolatban forduljon hivatalos forgalmazójához. Ha munka közben valami eltörik vagy baleset történik, azonnal kapcsolja ki a gépet és vigye el, hogy elkerülje a további károsodást. Ha idegen test került a gépbe, azonnal állítsa le, ellenőrizze, hogy nem sérült-e, és javítsa meg, mielőtt újraindítaná.

### VÉDŐ FELSZERELÉS

Ügyeljen arra, hogy megfelelő és minősített védőfelszerelést használjon az egység működtetése során. Mindig viseljen mozgást nem akadályozó ruházatot, védőkesztyűt, védőszemüveget, félárlarcos légzőkészüléket, fülvédőt és csúszásmentes talpú, nyírásálló biztonsági csizmát. Soha ne viseljen sálát, nyakláncot vagy bármilyen lógó vagy csapkodó kiegészítőt és ruhát, amely beakadhat a gépbe. Kösse fel a haját, ha hosszú.

### MÉRGEZÉSI VESZÉLYEK

Csak a szabadban és jól szellőző helyen működtesse. Működés közben a motor mérgező szén-monoxidot, szagtalan és színtelen gázt bocsát ki. A szén-monoxid belélegzése hányingert, ájulást vagy halált okozhat. Ne működtesse a gépet zárt térben, ahol veszélyes szén-monoxid gázok keletkezhetnek, vagy nyitott ablakok közelében.

Az üzemanyag és az olaj rendkívül mérgező. Ne lélegezze be az üzemanyag párolgó gázait, és mindig viseljen megfelelő védőfelszerelést, amikor kezeli őket. Az üzemanyagot és az olajat mindig jóváhagyott tartályokban tárolja, és felelősen ártalmatlanítsa.

### TŰZ- ÉS ÉGÉSI VESZÉLYEK

A gép egyes részei eléggé felforrósodnak ahhoz,

hogy meggyújtsák a gyúlékony anyagokat. Ne használja magas tűzveszélyes területeken. Ne irányítsa a hangtompítót és így a kipufogógáz gyúlékony anyagok felé.

A gép egyes részei eléggé felforrósodnak ahhoz, hogy égési sérülést okozzanak. Ügyeljen arra, hogy ne érintse meg őket, hogy elkerülje az égési sérülést. Távolas előtt hagyja kihűlni a gépet.

benzin és az olaj gyúlékony. Használat előtt kövesse az egyes gyártók utasításait. Az esetleges tűz- vagy szikraforrásokat mindig távol kell tartani. Ne dohányozzon a gép, illetve üzemanyag és olaj közelében. Csak a szabadban tankoljon, jól szellőző helyen, leállított motor mellett. Lassan nyissa ki az üzemanyagtartályt, hogy a belső nyomás fokozatosan csökkenjen. Ne töltsen túl az üzemanyagtartályt. Győződjön meg arról, hogy a tartalék benzintartály és az egység között van némi távolság, hogy elkerülje a szükségtelen veszélyeket. A motor beindítása előtt győződjön meg arról, hogy minden kiömlött üzemanyagot és olajat letörölt. Tűz esetén használjon megfelelő tűzoltó készüléket, amelyet kifejezetten olaj- és benzintűzre terveztek.

## KATEGÓRIA BIZTONSÁGI FIGYELMEZTETÉSEK

### BIZTONSÁGOS MŰKÖDÉS

gép összes működtető karjának könnyen kell mozognia egyik helyzetből a másikba, és nem kell erőltetni. A tengelykapcsoló- és hátrameneti karoknak (ha van) automatikusan és gyorsan vissza kell térniük üres állásba. Az elektromos kábeleknek és különösen a gyújtógyertya kábelének kifogástalan állapotban kell lenniük a szikraképződés elkerülése érdekében, és a gyújtógyertya sapkáját megfelelően fel kell szerelni a gyújtógyertyára. A fogantyúknak és a védőszközöknek tisztának és száraznak kell lenniük, valamint biztonságosan kell rögzíteni a géphez.

A munka megkezdése előtt mindig ellenőrizze, hogy nincsenek-e olyan tárgyak, amelyek elzárhatják a levegőbemeneti szűrőt. Az eltömődött légbemlő csökkenti a gép teljesítményét és növeli a motor üzemi hőmérsékletét, ami a motor meghibásodásához vezethet.

Ügyeljen arra, hogy leállítsa a motort:

- ▶ Tartozékok felszerelésekor vagy eltávolításakor.
- ▶ Munkaterületek közötti vagy burkolt területek és talajakadályok feletti mozgáskor.
- ▶ Amikor felügyelet nélkül hagyja a gépet.
- ▶ Tankolás közben.
- ▶ Tisztítás vagy karbantartás közben.
- ▶ Szállítás közben.
- ▶ Távolas előtt.

### A FORGÓ ALKATRÉSZEK VESZÉLYEI

A forgó alkatrészek súlyos sérüléseket okozhatnak. Kerülje a forgó alkatrészek érintkezését, amikor azok még forognak. Soha ne tegye a kezét vagy lábát a kormányrúd alváza alá vagy a talajművelő berendezés közelébe, miközben a motor jár, és mindig sétáljon a kormányrúd mögé. Soha ne működtesse a motort övburkolat nélkül (ha van).

### ZAJ ÉS REZGÉSVESZÉLY

Az ebben az útmutatóban feltüntetett zaj- és rezgésszintek a gép használatának maximális szintjei. A nem megfelelő karbantartás jelentős hatással van a rezgés- és zajkibocsátásra. Következésképpen megfelelő lépéseket kell tenni a magas zajsztint és a vibrációból eredő terhelés miatti esetleges károk kiküszöbölésére. Gondosan karbantartsa a gépet, viseljen fülvédőt, rezgéscsillapító kesztyűt és tartson szüneteket a munkavégzés során. A gép stabil sebességgel történő működtetése és a fogantyúk megfelelő erővel történő erős megfogása csökkentheti a rezgésszintet. Munkanapokon gyakori és megfelelő szüneteket kell tartania, hogy elkerülje a vibráció okozta károsodást és a fülkárosodást. A hosszan tartó vibrációnak való kitettség sérüléseket és idegrendszeri rendellenességeket okozhat, különösen a keringési zavarokban szenvedőknél. A tünetek a kézre, a csuklóra és az ujjakra vonatkozhatnak, és az érzékenység elvesztésével, toporzással, viszketéssel, fájdalommal és a bőr elszíneződésével vagy szerkezeti változásaival nyilvánulnak meg. Ezeket a hatásokat ronthatja az alacsony környezeti hőmérséklet vagy a fogantyúk túlzott megfogása. Ha ilyen tünetek jelentkeznek, csökkenteni kell a gép használati idejét, és orvoshoz kell fordulni.

### MUNKATERÜLET VESZÉLYEI

Alaposan vizsgálja meg az egész munkaterületet, és használjon gereblyét vagy kerti kését a törmélék kézi fellazításához és minden olyan dolog eltávolításához, amely a gépből kiszóródhat, veszélyes forrás lehet, vagy elgázolás esetén kárt okozhat a gépben (kövek, ágak, vasdrót, csontok). stb.). Ellenőrizze, hogy a gép működési hatósugarától legalább 15 méteren belül nincsenek-e szemlélődők, állatok vagy tárgyak, amelyek megsérülhetnek.

Csak nappali fényben vagy megfelelő mesterséges megvilágítás mellett, jó látási viszonyok között dolgozzon. Törekedjen arra, hogy ne okozzon zajt, csak a nap ésszerű időszakában használja a gépet.

Vegyen fel szilárd és kiegyensúlyozott pozíciót. Lehetőség szerint kerülje a nedves, csúszós talajon végzett munkát, vagy minden esetben egyenletlen vagy meredek talajon, amely nem garantálja a stabilitást a kezelő számára.

### FENNTARTÓ VESZÉLYEK

gépet modern technológiával és az elismert biztonsági szabályok betartásával építették. Még akkor is, ha minden biztonsági intézkedés megvan, jelen lehet néhány fennmaradó, még nem nyilvánvaló veszély. A kezelőnek józan eszét kell követnie, és még kell tennie a szükséges óvintézkedéseket a fennmaradó veszélyek miatti kockázatok elkerülése érdekében.

### TERMÉKLÉÍRÁS

#### RENDELTESSZERŰ HASZNÁLAT

Ezt a gépet talajművelésre tervezték és gyártották műveléssel, pl. üvegházakban, gyümölcsösökben, kertekben.

Ezen túlmenően, miután fel van szerelve a megfe-

lelő eszközökkel és szerszámokkal, más alkalmazásokhoz is használható, mint például árokásás, borítás, burgonyaemelés stb.

A fent említettektől eltérő bármely más használat veszélyes lehet, embereket károsíthat, kárt tehet a dolgokban és magában a gépben.

### HELYTELEN HASZNÁLAT

gépet tilos veszélyes anyagok megmunkálására használni, pl. gyúlékony vagy robbanásveszélyes termékek felgyűlése, forró parázs vagy láng nélkül égő anyag, égő cigaretta, üveg, éles tárgyak, fémtárgyak, kövek és minden olyan tárgy, amely veszélyes lehet a gépre, magát a gépet, valamint a kezelőt, a közelben lévőket, az állatokat vagy a tulajdont.

A helytelen használat egyéb példái közé tartozhat, de nem kizárólagosan, a gép üzemeltetése:

- ▶ A gyártó által szállított eredeti tartozékok nélkül.
- ▶ Eredeti tartozékokkal, de a használati utasításnak nem megfelelő módon.
- ▶ Eredeti alkatrészek nélkül.
- ▶ Engedély nélküli módosításokkal.
- ▶ Egnél több személy által.

### MŰSZAKI ADATOK 79. OLDAL

### AZONOSÍTÁS (1. ÁBRA)

1. Kuplung kar
2. Hangtompító
3. Üzemanyag tartály
4. Légszűrő
5. Indító markolat
6. Művelőfogak összeszerelése
7. Sár sárvédő
8. Sebességváltó
9. Művelési mélység beállítási útmutató
10. Sebességváltó kar
11. Fogantyú magasságállító kar
12. Hátrameneti kar
13. Gázkar
14. BE/KI kapcsoló

### MŰVELET

#### AZ EGYSÉG ELŐKÉSZÍTÉSE

A kicsomagolást és az összeszerelést sík és stabil felületen kell végezni, elegendő hely legyen a gép és a csomagolás mozgathatóságához, mindig megfelelő felszerelést használva. Az összeszerelést szükség esetén szakképzett személyzetnek kell elvégeznie a legközelebbi kereskedőnél.

#### Művelési mélység beállítási útmutató

Húzza ki a biztosítót (2.1. ábra) és a csapot (2.2. ábra) a csatlakozórúdból (2.3. ábra). Helyezze a művelési mélység beállítót (2.4. ábra) az összekötő rúdba, és szerelje össze a csappal és a biztosítóval. Helyezze a szerelvényt (3.4. ábra) a helyére a kormányrúd fő testére (3.2. ábra), és rögzítse a biztosítócsappal (3.3. ábra).

#### Talajművelő szerszám

talajművelő fogak szerelvénye (1.6. ábra) három készletből, négy pengéből (összesen tizenkét pen-

géből) és egy-egy oldaltárcsából áll. Általában minden oldalfogat a gépárban előre összeszerelnek, és készen állnak a gépre való felszerelésre. Ha a fogak összeszerelése szükséges, azt javasoljuk, hogy azt csak képzett személyzet végezze el a legközelebbi márkakereskedésben. A jobb oldali fogak (3.1. ábra) vezérműre szereléséhez óvatosan döntse meg a gépet balra, helyezze a fogat a kimenő tengely tengelyére (3.7. ábra), és rögzítse a helyére a mellékelt csappal (3.9. ábra.) és a biztonság (3.8. ábra). A bal oldali fogak (3.5. ábra) kormányrúdra való felszereléséhez óvatosan döntse meg a gépet jobbra, helyezze a fogat a kimenő tengely tengelyére, és rögzítse a helyére a mellékelt csappal és biztosítékkal.

### Sárvédők

Győződjön meg arról, hogy a talajművelő berendezés védősárvédői (1.7. ábra) biztonságosan a helyükre vannak szerelve. Ha a gyártó nem szerelte össze előre a sárvédőket, használja a mellékelt anyákat, csavarokat és adaptert a bal és jobb oldali sárvédők összeszereléséhez.

### Művelési fogantyú

Szerelje össze a csatlakozócsövet (4.1. ábra) a sebességváltón (4.2. ábra) a négy mellékelt csavarral. Szerelje fel a fogantyút (5.3. ábra) a csatlakozócsőre (5.2. ábra), és húzza meg a fogantyú magasságállító kart (5.1. ábra) a fogantyú rögzítéséhez.

### A működtető fogantyú magasságállítása

A kezelőkar magasságát a fogantyú magasságállító karjának meglazításával (1.11. ábra), a kezelőkar dőlésszögének tetszőleges beállításával (derékmagasság javasolt) és a kar ismételt helyzetbe állításával állíthatja be.

### Sebességváltó kar

Helyezze a sebességváltó kart (6.2. ábra) a helyzetbe a fogantyú csatlakozócsővén lévő támasztékon (6.1. ábra) keresztül a váltókarba (6.3. ábra), és rögzítse az alátéttel és a biztosítóval.

### Kuplung, hátramenet és fojtószelep kábelek

A tengelykapcsolóval, hátramenettel vagy fojtószeleppel kapcsolatos kábelek beszerelését, amelyeket a gyártó még nem szerelt össze, csak képzett személyzet végezhet a legközelebbi márkakereskedésben.

### TANÍTÁS ÉS KENÉS

#### FIGYELEM:

Agépet olaj és üzemanyag nélkül szállítjuk.

Ez a termék 4 ütemű motorral van felszerelve, ami azt jelenti, hogy benzint kell használni az üzemanyagtartályban (1.3. ábra), és a motort fel kell tölteni olajjal. Ezenkívül a kormányrúd sebességváltóval van felszerelve, amelyet szintén olajjal kell kenni.

#### JEGYZET:

Használjon tölcserőt, hogy elkerülje az üzemanyag vagy az olaj kiömlését.

Üzemanyag jellemzők: ólommentes benzin vagy 90-nél magasabb oktánszámú.

**FIGYELEM:**

Az üzemanyag tárolására mindig tiszta edényt használjon, és ne használjon egy hónapnál tovább tárolt üzemanyagot.

Olajspecifikációk: Általános használatra (5°C - 38°C) az ajánlott olaj a SAE 10W40 (10. ábra).

A gép üzemanyaggal való feltöltése:

1. Távolítsa el az üzemanyagtartály sapkáját (7.1. ábra).
2. Töltsön üzemanyagot az üzemanyagtartály felső szintjéhez. Hagyjon legalább 5 mm helyet az üzemanyag teteje és a tartály belső széle között, hogy lehetővé tegye a tágulást. A tanksapka szűrő (7.2. ábra) hosszának fele (7.3. ábra) működhet felső üzemanyagszint-jelzőként is, ha rendelkezésre áll.
3. Helyezze vissza az üzemanyagtartály sapkáját és húzza meg megfelelően.

A motor olajjal való feltöltése:

1. Távolítsa el az olajbetöltő sapkát (8.3. ábra) a motorolaj betöltőnyílásáról (8.2. ábra). Az alsó része az olajsztintjelző.
2. Fokozatosan adjon hozzá annyi olajat, hogy az olajsztint az olajsztintjelző felső (8.4. ábra) és alsó (8.5. ábra) határértéke közé kerüljön. A mérést úgy kell elvégezni, hogy a nívópálcát a betöltőcsonkba kell helyezni, de nincs csavarva.
3. Helyezze vissza az olajbetöltő sapkát, és húzza meg megfelelően.

sebességváltó olajjal való feltöltése:

1. Távolítsa el az olajbetöltő sapkát a sebességváltó (1.8. ábra) olajbetöltő nyakáról. Az alsó része az olajsztintjelző.
2. Fokozatosan adjon hozzá annyi olajat, hogy az olajsztint az olajsztintjelző felső (9.1. ábra) és alsó (9.2. ábra) határértéke közé kerüljön.
3. Helyezze vissza az olajbetöltő sapkát, és húzza meg megfelelően.

A légszűrő olajjal való feltöltése (csak olajfürdő típusú légszűrő esetén):

1. Távolítsa el a légszűrő fedelét (11.1. ábra) és a légszűrő elemet (11.2. ábra) a légszűrőről (1.4. ábra).
2. Fokozatosan adjon hozzá annyi olajat, hogy az olajsztint az olajsztintjelző felső határáig érjen.
3. Helyezze vissza a levegőszűrő elemet.
4. Helyezze vissza a légszűrő fedelét, és húzza meg megfelelően.

**FIGYELEM:**

A motor beindítása előtt törölje le a kiömlött üzemanyagot és olajat.

**AZ EGYSÉG INDÍTÁSA**

A gép beindítása előtt:

1. Győződjön meg arról, hogy a gép és Ön is stabil talajon áll.
2. Ellenőrizze, hogy minden rögzítő rögzítve van-e.
3. Készítse elő a tartozékokat, és ellenőrizze, hogy megfelelően vannak-e felszerelve.
4. Ellenőrizze, hogy a levegőszűrő tiszta-e, és hogy a levegő bemeneti és kipufogónyílását nem tömítette el semmilyen idegen anyag.
5. Töltse fel a szükséges mennyiségű olajat és üzemanyagot.

6. Győződjön meg arról, hogy a tengelykapcsoló kar (1.1. ábra) ki van kapcsolva, és a sebességváltó kar (1.10. ábra) üres állásban van, hogy megakadályozza a kormánykar ellenőrizetlen elmozdítását.

A gép elindításához:

1. Állítsa az üzemanyagszelep kart (12.2. ábra) „ON” állásba.
2. Állítsa a szivatókart (12.1. ábra) „ON” állásba.

**JEGYZET:**

Ez a lépés csak a motor melegindítására vonatkozik. Ha a motor már meleg, vagy a környezeti hőmérséklet magas, a szivató karnak mindig „OFF” állásban kell lennie.

3. Állítsa a BE/KI kapcsolót (1.14. ábra) „ON” állásba (16. ábra).
4. Állítsa a gázkart (1.13. ábra) „L” (alacsony sebesség) állásba (13. ábra).
5. Bal kezével erősen fogja meg a gép fogantyúját, jobb kezével pedig a motor indítófogantyúját (14. ábra). Húzza meg az indító markolatát, amíg ellenállást nem érez a motor bekapcsolásához, majd húzza meg határozottan a motor beindításához.

**FIGYELEM:**

Az indítókötet elszakadásának elkerülése érdekében ne húzza teljes hosszában, és ne hagyja, hogy a kábelvezető furat szélén csússzon. Fokozatosan engedje el az önindítót, nehogy ellenőrizhetetlenül visszarepüljön.

6. Ahogy a motor felmelegszik, fokozatosan állítsa a szivatókart „OFF” állásba, ha a motort hidegen indították.

**JEGYZET:**

A maximális teljesítmény és megbízhatóság érdekében üzembe helyezés előtt hagyja felmelegedni a motort, és járassa két-három percig alapjáraton.

**AZ EGYSÉG MŰKÖDTETÉSE****Kuplung kar**

Húzza a tengelykapcsoló kart (15.1. ábra) a fogantyú felé (15.B. ábra), és tartsa a helyén, hogy a kormányrúd a választott sebességnek megfelelően mozdítsa el. A tengelykapcsoló kar fokozatos üres állásba engedése (15.A ábra) leállítja a kormányrúd mozgását.

**FIGYELEM:**

tengelykapcsoló kart el kell engedni a sebességváltó kar működtetése előtt.

**Hátrameneti kar**

Állítsa a sebességváltó kart „R” (hátramenet) állásba. Jobb kezével húzza a hátrameneti kart a fogantyú felé, hogy bekapcsolja a hátrameneti fokozatot, és a helyén tartsa. Ezután bal kezével húzza a tengelykapcsoló kart a fogantyú felé, és tartsa a helyén, hogy a kormányrúd hátrafelé lendüljön. A tengelykapcsoló kar fokozatos üres állásba engedése leállítja a kormányrúd mozgását.

**FIGYELEM:**

A sebességváltó kar működtetése előtt el kell engedni a hátrameneti kart. A hátrameneti kart soha nem szabad működtetni, ha a sebességváltó kar bármelyik

előremeneti fokozatban van.

### Gázkar

A kívánt motorfordulatszám beállítható úgy, hogy a motor fordulatszám kart a „H” és „L” állások között mozgatja, magas és alacsony fordulatszámhoz (13. ábra).

### FIGYELEM:

A tengelykapcsoló működtetése előtt a motor fordulatszámát minimálisra kell csökkenteni.

### Sebességváltó kar

Mozgassa a sebességváltó kart a kívánt helyzetbe a kormányrúd meghajtásának kiválasztásához:

- ▶ „R”: hátramenet
- ▶ „0”: üres fokozat
- ▶ „1”: első sebességfokozat
- ▶ „2”: kettes számú előremeneti fokozat

### JEGYZET:

Az „R” és „O” sebességfokozatok azonos pozícióban vannak a sebességváltó karral.

### JEGYZET:

Ha a sebességváltó kar nem kapcsolja be a kívánt fokozatot, állítsa le a motort. Ezután húzza meg a tengelykapcsoló kart, és kézzel mozgassa kissé hátra és előre a vezérlőkart, hogy áthelyezze a fogaskerekeket a sebességváltó belsejében.

### AZ EGYSÉG LEÁLLÍTÁSA

1. A gép leállításához:

1. Csökkentse a motor fordulatszámát a gázkar „L” helyzetbe állításával.
2. Engedje el a tengelykapcsoló kart, hogy megállítsa a kormányrúd elmozdulását.
3. Engedje el a hátrameneti kart, ha a kormányrúd hátramenetben volt.
4. Állítsa a sebességváltó kart üres állásba.
5. Állítsa a BE/KI kapcsolót „OFF” állásba.
6. Állítsa az üzemanyagszelep kart „OFF” állásba.

### KARBANTARTÁS ÉS TISZTÍTÁS

#### FIGYELEM:

Soha ne végezzen karbantartást vagy tisztítást működő egység mellett. Mindig hűvös egységen dolgozon. Tisztítás vagy karbantartási munkák elvégzése előtt válassza le a gyújtógyertya sapkáját, és olvassa el a vonatkozó utasításokat. Mindig viseljen megfelelő ruházatot és védőkesztyűt, ha kezei veszélyben vannak.

Az ebben a kézikönyvben le nem írt beállításokat vagy karbantartási műveleteket a márkakereskedőnek vagy a szükséges ismeretekkel és felszereléssel rendelkező szakszerviznek kell elvégeznie annak biztosítására, hogy a munka megfelelően, a gép eredeti biztonsági szintjének megőrzése mellett történjen. A nem felhatalmazott központokban vagy szakképzetlen személyek által végzett bármely művelet teljes mértékben érvényteleníti a garanciát, valamint a gyártó minden kötelezettségét és felelősségét.

Minden anyát és csavart tartson szorosan, hogy a gép mindig biztonságos üzemi állapotban legyen. A rendszeres karbantartás elengedhetetlen a biztonság és a magas teljesítményszint fenntartásához.

#### FIGYELEM:

Soha ne használja a gépet kopott vagy sérült alkatrészekkel. A hibás vagy elhasználódott alkatrészeket mindig ki kell cserélni és nem javítani. Csak eredeti alkatrészeket használjon.

#### KARBANTARTÁSI ÜTEMTERV

Tételek		Frekvencia		Minden használat előtt	1. hónap vagy 5 óra működés után	3 havonta vagy 25 óránként	6 havonta vagy 50 üzemóránként	12 havonta vagy 100 üzemóránként
Komplett egység	Szemrevételezés	✓						
	Biztonságos rögzítőelemek	✓						
Vezérlő fogantyúk	Jelölje be	✓*						
Művelőfogak és kések	Jelölje be	✓*						
E motorolaj	Ellenőrzés - Újratöltés	✓						
	Cserélje ki		✓			✓		
Sebességváltó olaj	Ellenőrzés - Újratöltés	✓						
	Cserélje ki							✓**
Kapcsolódások	Kenje meg				✓			
Légszűrő	Ellenőrzés - Tisztítás	✓*	✓*	✓*				
	Cserélje ki							✓
Gyújtógyertya	Check - Állítsa be						✓*	
	Cserélje ki							✓
Üzemanyagszűrő	Tiszta				✓			
Üzemanyagcső	Jelölje be							✓*
Karburátor üledékpohár	Tiszta					✓		
Szelephézag	Check - Állítsa be							✓**

\* Ezeket az elemeket szükség esetén ki kell cserélni.

\*\*Ezeket az elemeket csak olyan hivatalos kereskedő karbantarthatja és javíthatja, aki rendelkezik a megfelelő szerzői jogokkal és a szükséges mechanikai jártassággal.

#### MŰVELŐSZERSZÁM

Rendszeresen ellenőrizze a talajművelő fogak kopását vagy sérülését. A megromlódott alkatrészeket ki kell cserélni, mielőtt a kormányrúd ismételtlen működik. A talajművelő kések kopása negatívan befolyásolja a gép művelési képességét, ezért szükség esetén ki kell cserélni őket.

## A TENGELY-, HÁTRA- ÉS GÁZKAROK JÁTSZIK

A már előre összeszerelt tengelykapcsoló-, hátramenet- és fojtószelep-kábeleken a kar oldalán található anya- és rúdcsavar segítségével lehet kisebb beállításokat végezni. Ha a megtett távolság nem megfelelő, lazítsa meg az ellenanyát, és állítsa be holtjátékkal a beállítócsavar igény szerinti elforgatásával. Ha végzett, húzza meg az ellenanyát, és ellenőrizze újra a tengelykapcsoló kar megfelelő működését. Bármilyen kapcsolódó beállítás után győződjön meg arról, hogy a tengelykapcsoló-, hátramenet- vagy gázkarok egyik helyzetből a másikba mozognak anélkül, hogy túlzott erőre lenne szükségük, és hogy a sebességváltón vagy a motoron lévő tengelykapcsoló, hátrameneti vagy fojtószelep-rudak teljes tartományukban működtethetők.

### JEGYZET:

Javasoljuk, hogy az ilyen beállításokat csak képzett személyzet végezze el a legközelebbi márkakereskedésben, hogy biztosítsák a gép eredeti biztonsági előírásait.

## KENÉS

### FIGYELEM:

A szint ellenőrzését és az olajcserét szilárd és vízszintes talajon kell elvégezni. A motort mindig le kell állítani. Ha a motor járt volna, az forró lesz, és az eljárást óvatosan és a szükséges óvintézkedésekkel kell elvégezni az égési sérülések elkerülése érdekében.

### JEGYZET:

Engedje le a használt olajat, amíg a motor meleg. A meleg olaj gyorsan és teljesen kiürül.

## Motorolaj

Az olajszint ellenőrzéséhez:

1. Távolítsa el az olajbetöltő sapkát a motorolaj betöltőnyílásáról.
2. Törölje tisztára az olajszint-jelzőt.
3. Csavarozás nélkül helyezze be az olajbetöltő sapkát az olajbetöltő nyílásba.
4. Távolítsa el a betöltőnyílás sapkáját, és ellenőrizze az olajszint-jelzőn látható olajszintet. Ha szükséges, adjon hozzá annyi olajat, hogy az olajszint az olajszintjelző felső és alsó határa közé kerüljön.
5. Helyezze vissza az olajbetöltő sapkát, és húzza meg megfelelően.

Az olajcsere:

1. Távolítsa el az olajbetöltő sapkát a motorolaj betöltőnyílásáról.
2. Helyezzen egy megfelelő edényt az olajleeresztő csavar alá (8.1. ábra), hogy felfogja a használt olajat.
3. Távolítsa el az olajleeresztő csavart, és hagyja teljesen kifolyni az olajat.
4. Helyezze vissza az olajleeresztő csavart és húzza meg megfelelően.
5. Fokozatosan adjon hozzá annyi olajat, hogy az olajszint az olajszintjelző felső és alsó határa közé kerüljön.
6. Helyezze vissza az olajbetöltő sapkát, és húzza meg megfelelően.

### JEGYZET:

Ha a motor gyakran működik rendkívül poros vagy más súlyos körülmények között, 25 óránként cserélje ki a motorolajat.

## FIGYELEM:

Ha a motort járattja, az alacsony olajszint a motor károsodását okozza.

## Sebességváltó olaj

Az olajszint ellenőrzéséhez:

1. Távolítsa el az olajbetöltő sapkát a sebességváltó olajbetöltő nyakáról.
2. Ellenőrizze az olajszintet. Ha szükséges, töltsön be annyi olajat, hogy az olajszint az olajszintjelző felső és alsó határa közé kerüljön.
3. Helyezze a helyére az olajbetöltő sapkát, és húzza meg megfelelően.

Az olajcsere:

A sebességváltó olajcseréjét a kereskedőnek vagy a szükséges ismeretekkel és felszereléssel rendelkező szakszerviznek kell elvégeznie.

## FIGYELEM:

A kormányrúd működtetése a sebességváltó alacsony olajszintjén a sebességváltó károsodását okozza.

## Csatlakozók kenése

Kenje meg a tengelykapcsolókat minden tíz üzemóránként, valamint hosszú ideig tartó tárolás előtt motorolajjal vagy tisztító, olajjal megnedvezített ruhával.

## LÉGSZŰRŐ

### FIGYELEM:

Ha a motort légszűrő nélkül vagy sérült légszűrővel üzemelteti, szennyeződés kerülhet a motorba, ami gyors motorkopást okoz.

A légszűrő ellenőrzéséhez, tisztításához vagy cseréjéhez (11. ábra):

1. Távolítsa el a légszűrő fedelét.
2. Győződjön meg arról, hogy a légszűrő elem szennyeződésmentes és jó állapotban van. Ha szennyezett, távolítsa el és tisztítsa meg.
  - ▶ Használatos levegőszűrő elem tisztításához mossa ki otthoni tisztítószerezrel és forró vízzel, majd hagyja megszáradni. Ezután áztassa be tiszta, telített motorolajba, és óvatosan nyomja ki a felesleges olajat. Ha szükséges, cserélje ki egy újra.
  - ▶ A papír levegőszűrő elem tisztításához tisztítsa meg az enyhé szennyeződést úgy, hogy néhányszor óvatosan ragasszon rá egy kemény felületre, és cserélje ki, ha erős szennyeződés van jelen.
3. Tisztítsa meg a levegőszűrő házának belsejét, és fedje le a szennyeződéstől egy puha ruhával. Ha a motor olajfürdő típusú légszűrővel van felszerelve, cserélje ki az olajat új motorolajra.
4. Helyezze vissza a levegőszűrő elemet, és a fordított eljárás szerint tegye vissza a levegőszűrő fedelét.

### FIGYELEM:

Soha ne tisztítsa a légszűrőt gyúlékony vagy alacsony lobbánáspontú tisztítószerekkel, hogy elkerülje a tűz- vagy robbanásveszélyt.

### JEGYZET:

Ha a motor gyakran működik poros vagy más súlyos körülmények között, 10 óránként tisztítsa meg a légszűrőt, és cserélje ki az olajat újjal. Szükség esetén cserélje ki a légszűrő elemet 25 óránként.

## GYÚJTÓGYERTYA

gyújtógyertya karbantartásához (17.1. ábra):

1. Távolítsa el a gyújtógyertya sapkáját, hogy hozzáférjen a gyújtógyertyához.
2. Használjon megfelelő gyújtógyertya-szerszámot (17.2. ábra) a gyújtógyertya óvatos eltávolításához.
3. Ellenőrizze a gyújtógyertya és az elektródája állapotát. Tisztának és nem kopottnak kell lennie. Ellenőrizze, hogy a gyújtógyertya távolsága 0,7 és 0,8 mm között van-e (17. ábra). Cserélje ki a gyújtógyertyát egy újra, ha szükséges.
4. Kézvel óvatosan csavarja be a gyújtógyertyát a motorba.
5. A menet után a megfelelő gyújtógyertya-szerszámmal húzza meg a gyújtógyertyát, ügyelve arra, hogy ne használjon túlzott erőt a menetek károsodásához.
6. Helyezze vissza a gyújtógyertya sapkáját.

### FIGYELEM:

Soha ne engedje, hogy szennyeződés vagy törmelék kerüljön a henger furatába. A gyújtógyertya eltávolítása előtt alaposan tisztítsa meg a gyújtógyertyát és a hengerfej területét.

## ÜZEMANYAG ÜZEMELŐCSÉSE

### FIGYELEM:

Az üzemanyag-karburátort csak szabadban és jól szellőző helyen tartsa karban.

1. Az üzemanyag ülepítő pohár karbantartásához:

1. Fordítsa az üzemanyagszelepet „OFF” állásba.
2. Távolítsa el a karburátor tüzelőanyag-ülepítő edényét (18.2. ábra) a gumi tömítőgyűrűvel (18.1. ábra).
3. Mossa le az eltávolított részeket oldószerben, szárítsa meg alaposan.

### FIGYELEM:

Soha ne tisztítsa a tüzelőanyag ülepítőpoharat gyúlékony vagy alacsony lobbanáspontú tisztítószerekkel, hogy elkerülje a tűz- vagy robbanásveszélyt.

4. Cserélje ki a gumi tömítőgyűrűt egy újra, ha szükséges.
5. Helyezze vissza a gumi tömítőgyűrűt és az ülepítőpoharat, és rögzítse a helyére.
6. Fordítsa az üzemanyagszelepet „BE” állásba, és ellenőrizze, hogy nem szívárog-e üzemanyag.

## ÜZEMANYAGSZŰRŐ

Az üzemanyagtartály a kormányrúd típusától függetlenül szűrővel is felszerelhető, amely a tanksapkánál található. Az üzemanyagszűrő kivethető, és rendszeresen ellenőrizni kell. Ha a szűrő szennyezett, tisztítsa meg, és szükség esetén cserélje ki egy újra. Ha az üzemanyagtartály belseje szennyezett, akkor az üzemanyagtartályt tiszta benzinnel történő öblítésével tisztítható.

## TISZTÍTÁS

Használjon kis puha kefét a készülék külsejének tisztításához. Ne használjon erős tisztítószereket. Az aromás olajokat, például fenyő- és citromolajat és oldószereket, például kerozint tartalmazó háztartási tisztítószerek károsíthatják a műanyag házat vagy a fogantyút. Puha ruhával törölje le a

nedvességet. A fogak és a sárvédők vízzel tisztíthatók kerti tömlő segítségével.

## TÁROLÁS

### FIGYELEM:

Soha ne tárolja az egységet üzemanyaggal a tartályban, és mindig hagyja lehűlni, mielőtt elrakná. A készüléket csak száraz és jól szellőző helyen tárolja. Ha a készüléket hosszabb ideig tárolja, kövesse az alábbi tárolási eljárást:

1. Engedje le az összes üzemanyagot az üzemanyagtartályból.
2. Indítsa be a motort, és hagyja járni, amíg le nem áll. Ez biztosítja, hogy az összes üzemanyag kiürüljön a karburátorból.
3. Cserélje ki a motorolajat újra.
4. Cserélje ki a sebességváltó olaját újra.
5. Cserélje ki a szűrés olaját újra, ha a légszűrő olajfűrőd típusú.
6. Távolítsa el a gyújtógyertyát, és öntsön 30 ml kiváló minőségű motorolajat a hengerbe. Az olaj elosztásához lassan húzza meg az indítókötelet. Helyezze vissza a gyújtógyertyát.
7. Alaposan tisztítsa meg az egységet, és ellenőrizze, hogy nincsenek-e laza vagy sérült részek. Javítsa meg vagy cserélje ki a sérült alkatrészeket, és húzza meg a meglazult csavarokat, anyákat vagy csavarokat.
8. Kenje meg az összes szükséges alkatrészt olajos nedves ruhával, hogy elkerülje a rozsdá felhalmozódását.

## KÖRNYEZETVÉDELEM

Hasznosítsa újra a nyersanyagokat ahelyett, hogy hulladékként dobná el. A gépet, a tartozékokat és a csomagolást szét kell válogatni a környezetbarát újrahasznosítás érdekében. A műanyag alkatrészek kategorizált újrahasznosítás céljából vannak felcímkézve.

A használt motorolajat és a tartályokat a környezettel kompatibilis módon ártalmatlanítsa. Javasoljuk, hogy zárt edényben vigye vissza a helyi újrahasznosító központba vagy szervizbe. Ne dobja a szemetesbe, ne öntse a földre, és ne öntse le a lefolyóba.

## GARANCIA

Erre a termékre a törvényi/országspecifikus előírásoknak megfelelő garanciát vállalunk, amely az első felhasználó általi vásárlás napjától érvényes. A normál kopásból, túlterhelésből vagy szakszerűtlen kezeléssel eredő károk nem tartoznak a garancia hatálya alá. Reklamáció esetén kérjük, küldje el a gépet teljesen összeszerelve a kereskedőhöz vagy a hivatalos szervizközponthoz.



## LIETUVIŲ K.

### BENDRIEJI SAUGOS ĮSPĖJIMAI

Prieš naudodami šį gaminį perskaitykite ir supraskite šį savininko vadovą. Galite padėti išvengti nelaimingų atsitikimų susipažinę su savo gaminio valdikiiais ir laikydamiesi saugaus naudojimo procedūrų bei saugos ženklų. Visada vadovaukitės sveiku protu, kad išvengtumėte visų situacijų, kurios viršija jūsų galimybes. Nenaudokite, kai esate pavargę arba apsvaigę nuo narkotikų, alkoholio ar kitų vaistų. Darbo metu pašalinius asmenis ir gyvūnus, kurie gali būti sužaloti, taip pat daiktus, kurie gali būti sugadinti, laikykite atokiau. Niekada neleiskite vaikams ar žmonėms, kurie nėra susipažinę su šiomis instrukcijomis, naudoti gaminį. Vietiniai įstatymai gali apriboti minimalų operatoriaus amžių. Turėkite omenyje, kad operatorius arba naudotojas yra atsakingas už nelaimingus atsitikimus ar netikėtus įvykius, įvykusius kitiems žmonėms, gyvūnams ar jų turtui. Saugokite gaminį nuo per didelės drėgmės, dulkių, purvo ar korozinių garų. Ant mašinos nemontuokite įrangos ar priedų, kurių nenumatė arba nepatvirtino gamintojas. Niekada nebandykite modifikuoti gaminio. Neleistini pakitimai ar priedai gali sukelti rimtų kūno sužalojimų arba operatoriaus ar kitų asmenų mirtį. Kreipkitės į savo įgaliotąjį platintoją dėl išmontavimo ir techninės priežiūros, kurių šiame vadove neaprašyta. Jei kas nors sulūžytų arba įvyktų nelaimingas atsitikimas dirbant, nedelsdami išjunkite mašiną ir nuneškite ją, kad išvengtumėte tolesnių pažeidimų. Jei į mašiną pateko svetimkūnis, nedelsdami ją sustabdykite, patikrinkite, ar nepažeista, ir prieš vėl paleisdami pataisykite.

### APSAUGINĖ ĮRANGA

Naudodami įrenginį įsitinkinkite, kad naudojate tinkamas ir sertifikuotas apsaugos priemones. Visada dėvėkite judesių netrukdančius drabužius, apsaugines pirštines, akinius, respiratorių su puskaube, ausų apsaugas ir apsauginius batus nuo kirpimo neslystančiais padais. Niekada nedėvėkite šalikų, vėrinų, kabančių ar besiplečiančių priedų ir drabužių, kurie gali įstrigti mašinoje. Suriškite plaukus, jei jie ilgi.

### NUODIJIMŲ PAVOJUS

Dirbkite tik lauke ir gerai vėdinamose patalpose. Veikdamas variklis išskiria nuodingą anglies monoksidą – bekvapias ir bespalvas dujas. Įkvėpus anglies monoksido gali atsirasti pykinimas, alpimas arba mirtis. Nenaudokite mašinos uždaroje erdvėje, kur gali susidaryti pavojingi anglies monoksido garai, arba šalia atvirų langų.

Degalai ir alyva yra labai toksiški. Neįkvėpkite kuro garuojančių dujų ir dirbdami su jomis visada dėvėkite atitinkamas apsaugines priemones. Kurą ir alyvą visada laikykite patvirtintose talpyklose ir atsakingai išmeskite.

### GAISRO IR NUDEGIMO PAVOJUS

Kai kurios mašinos dalys pakankamai įkaista, kad užsidegtų degios medžiagos. Nenaudokite vietose, kuriose yra didelis gaisro pavojus. Nenukreipkite dulintuvo, taigi ir išmetamųjų dujų į degias medžiagas. Kai kurios mašinos dalys pakankamai įkaista, kad

sukeltų nudegimų. Nelieskite jų, kad nesusidegintumėte. Prieš padėdami į vietą, leiskite mašinai atvėsti. Benzinas ir alyva yra degūs. Prieš naudodami vadovaukitės kiekvieno gamintojo pateiktomis instrukcijomis. Galimi ugnies ar kibirkšties šaltiniai visada turi būti atokiau. Nerūkykite šalia mašinos, kuro ir alyvos. Degalų pildymas tik lauke, gerai vėdinamoje vietoje, išjungus variklį. Lėtai atidarykite degalų baką, kad slėgis viduje palaipsniui mažėtų. Neperpildykite degalų bako. Įsitinkinkite, kad tarp bet kurio atsarginio benzino bako ir įrenginio yra tam tikras atstumas, kad išvengtumėte nereikalingo pavojaus. Prieš užvesdami variklį įsitinkinkite, kad visi išsilieję degalai ir alyva buvo nuvalyti.

Kilus gaisru, naudokite tinkamą gesintuvą, specialiai sukurtą naftos ir benzino gaisru.

### KATEGORIJS SAUGOS ĮSPĖJIMAI

#### SAUGI EKSPLOATACIJA

Visos mašinos valdymo svirtys turi lengvai judėti iš vienos padėties į kitą ir nereikės veržti. Sankabos ir atbulinės eigos svirtys (jei taikoma) turi automatiškai ir greitai grįžti į neutralią padėtį. Elektros laidai, ypač uždegimo žvakės laidas, turi būti nepriekaištingos būklės, kad nesusidarytų kibirkštys, o uždegimo žvakės dangtelis turi būti tinkamai uždėtas ant uždegimo žvakės. Rankenos ir apsaugos įtaisai turi būti švarūs ir sausi, taip pat patikimai pritvirtinti prie mašinos.

Prieš pradėdami dirbti, visada patikrinkite, ar nėra objektų, kurie gali užblokuoti oro įleidimo ekraną. Užsikimšusi oro įsiurbimo anga sumažina mašinos našumą ir padidina variklio darbinę temperatūrą, todėl variklis gali sugesti.

Įsitinkinkite, kad išjungėte variklį:

- ▶ Montuojanti arba nuimant priedus.
- ▶ Judant tarp darbo zonų arba virš asfaltuotų zonų ir žemės klūčių.
- ▶ Kai paliekatė mašiną be priežiūros.
- ▶ Degalų papildymo metu.
- ▶ Valymo ar priežiūros metu.
- ▶ Transportavimo metu.
- ▶ Prieš sandėliavimą.

#### SUKIANČIŲ DALIŲ PAVOJUS

Besisukančios dalys gali rimtai susižaloti. Nelieskite besisukančių dalių, kai jos vis dar sukasi. Niekada neikiškite rankų ar kojų po vairalazdės važiuokle arba šalia žemės dirbimo įrangos, kai veikia variklis, ir visada eikite už vairalazdės. Niekada nenaudokite variklio be diržo gaubto (jei taikoma).

#### TRIUKŠMO IR VIBRACIJA PAVOJUS

Šioje instrukcijoje nurodyti triukšmo ir vibracijos lygiai yra didžiausi mašinos naudojimo lygiai. Nepakankama priežiūra turi didelę įtaką vibracijos ir triukšmo emisijai. Vadinasi, būtina imtis prevencinių priemonių, kad būtų pašalinta galima žala dėl didelio triukšmo ir vibracijos įtampimo. Gerai prižiūrėkite mašiną, mūvėkite ausų apsaugos priemones, anti-bracines pirštines ir dirbdami darykite pertraukas. Naudojant mašiną stabiliu greičiu ir tinkama jėga tvirtai suėmus už rankenu, gali sumažėti vibracijos lygis. Darbo dienos metu darykite dažnas ir pakanka-

mas pertraukas, kad išvengtumėte vibracijos ir ausų pažeidimų. Ilgalais vibracijos poveikis gali sukelti trauimų ir neurovaskulinių sutrikimų, ypač žmonėms, kenčiantiems nuo kraujotakos sutrikimų. Simptomai gali būti susiję su plaštakos, riešais ir pirštais, pasireiškiantys dėl jautrumo praradimo, niežėjimo, skausmo ir spalvos arba struktūrinių odos pokyčių. Šį poveikį gali sustiprinti žema aplinkos temperatūra arba per didelis rankenų suėmimas. Jei atsiranda tokių simptomų, reikia sutrumpinti mašinos naudojimo laiką ir kreiptis į gydytoją.

### PAVOJAI DARBO ZONOJE

Krupoščiai apžiūrėkite visą darbo vietą ir naudokite grėblį arba kiemo šepetį, kad rankiniu būdu atlaisvintumėte šiukšles ir pašalintumėte viską, kas gali būti išsklidusi iš mašinos, būti pavojingu šaltiniu arba sugadinti mašiną, jei pervažiuota (akmenys, šakos, geležinė viela, kaulai). ir tt). Patikrinkite, ar bent 15 metrų atstumu nuo mašinos veikimo diapazono nėra pašalinių asmenų, gyvūnų ar daiktų, kurie galėtų būti pažeisti.

Dirbkite tik dienos šviesoje arba esant tinkamam dirbtiniam apšvietimui, esant geram matumumui. Stenkitės nekelti triukšmo, naudodami šį įrenginį tik tinkamu paros metu.

Užimkite tvirtą ir gerai subalansuotą poziciją. Jei įmanoma, nedirbkite ant šlapios, slidžios žemės arba bet kokių atveju nelygioje ar stačioje vietoje, kuri negarantuoja operatoriui stabilumo.

### LIKUSI PAVOJAI

Mašina buvo pagaminta naudojant šiuolaikines technologijas ir laikantis pripažintų saugos taisyklių. Net ir įgyvendinus visas saugos priemones, gali kilti tam tikrų pavojų, kurie dar nėra akivaizdūs. Operatorius turi vadovautis sveiku protu ir imtis būtinų atsargumo priemonių, kad išvengtų rizikos dėl likusių pavojų.

### PRODUKTO SPECIFIKACIJOS

#### PASKIRTIS

Ši mašina sukurta ir pagaminta sodinti žemę, skirtą sodinti, pvz., šiltnamiuose, soduose, soduose.

Be to, įrengus atitinkamus įrenginius ir įrankius, jis gali būti naudojamas kitoms reikmėms, pvz., grioviui, kalimui, bulvių kėlimui ir kt.

Bet koks kitas naudojimas, kuris skiriasi nuo pirmiau minėtų, gali būti pavojingas, pakenkti žmonėms ir sugadinti daiktus bei pačią mašiną.

#### NETINKAMAS NAUDOJIMAS

Mašina negalima dirbti pavojingų medžiagų, pvz., susikaupusių degių ar sprogių produktų, karštų žarijų ar degančių medžiagų be liepsnos, degtų cigarečių, stiklo, aštrių daiktų, metalinių daiktų, akmenų ir kitų objektų, kurie gali būti pavojingi pati mašina, taip pat operatorius, pašaliniai asmenys, gyvūnai ar turtas. Kiti netinkamo naudojimo pavyzdžiai gali apimti, bet tuo neapsiribojant, mašinos veikimą:

- ▶ Be originalių gamintojo pateiktų priedų.
- ▶ Su originaliais priedais, bet ne pagal instrukcijas.
- ▶ Be originalių atsarginių dalių.
- ▶ Su neleistiniais pakeitimais.
- ▶ Daugiau nei vieno asmens.

### TECHNINIAI DUOMENYS 80 PUSL

#### IDENTIFIKACIJA (1 PAV.)

1. Sankabos svirtis
2. Duslintuvas
3. Kuro bakas
4. Oro filtras
5. Starterio rankena
6. Arimo noragų surinkimas
7. Purvo sparnas
8. Pavarų dėžė
9. Įdirbimo gylio reguliavimo vadovas
10. Pavarų perjungimo svirtis
11. Rankenos aukščio reguliavimo svirtis
12. Atbulinės eigos svirtis
13. Droselio svirtis
14. ON / OFF jungiklis

#### OPERACIJA

##### ĮRENGINIO PARUOŠIMAS

Išpakavimas ir surinkimas turi būti atliekamas ant lygaus ir stabilaus paviršiaus, turint pakankamai vietos mašinai ir jos pakuotės perkelti, visada naudojant tinkamą įrangą. Jei reikia, surinkimą turėtų atlikti apmokytas personalas artimiausioje pardavėjo parduotuvėje.

##### Įdirbimo gylio reguliavimo vadovas

Išjungiamosios juostos (2.3 pav.) ištraukite saugą (2.1 pav.) ir kaištį (2.2 pav.). Įjungiamąją juostą įdėkite įdirbimo gylio reguliavimu kreiptuvą (2.4 pav.) ir sumontuokite kartu su kaiščiu ir apsauga. Uždėkite agregatą (3.4 pav.) ant pagrindinio vairalazdės korpuso (3.2 pav.) ir pritvirtinkite apsauginiu kaiščiu (3.3 pav.).

##### Žemės dirbimo įrankis

Dirbamųjų noragų komplektą (1.6 pav.) sudaro trys keturių asmenų rinkiniai (iš viso dvylika peilių) ir po šoninį diską kiekvienai pusei. Kiekvienas šoninis noragas paprastai iš anksto surenkamas gamykloje ir paruoštas pritaikyti mašinai. Jei reikia surinkti noragus, siūlome tai atlikti tik apmokytiems darbuotojams artimiausioje prekybos parduotuvėje. Norėdami sumontuoti dešinės pusės noragą (3.1 pav.) ant vairalazdės, atsargiai pasukite mašiną į kairę, uždėkite noragą ant išeinamosios ašies veleno (3.7 pav.) ir užfiksuokite jį pateiktu kaiščiu (3.9 pav.) ir sauga (3.8 pav.). Norėdami sumontuoti kairįjį šoninį noragą (3.5 pav.) ant vairalazdės, atsargiai pakreipkite mašiną į dešinę, uždėkite noragą ant išėjimo ašies veleno ir užfiksuokite pateiktu kaiščiu bei saugikliu.

##### Purvo sparnai

Įsitikinkite, kad žemės dirbimo įrangos apsauginiai purvo sparnai (1.7 pav.) yra saugiai sumontuoti savo vietoje. Jei gamintojas iš anksto nesurinko sparnų, naudokite pateiktas veržles, varžtus ir adapterį, kad surinktumėte kairįjį ir dešinįjį sparnus.

##### Operacinė rankena

Sumontuokite jungiamąjį vamzdelį (4.1 pav.) ant pavarų dėžės (4.2 pav.) su keturiais pateiktais varžtais. Sumontuokite rankeną (5.3 pav.) ant jungiamojo vamzdžio (5.2 pav.) ir priveržkite rankenos aukščio

reguliuavimo svirtį (5.1 pav.), kad užfiksuotumėte rankeną.

### Valdymo rankenos aukščio reguliavimas

Valdymo rankenos aukštį galite reguliuoti atlaisvindami rankenos aukščio reguliavimo svirtį (1.11 pav.), nustatydami pageidaujamą valdymo rankenos kampą (rekomenduojamas juosmens aukštis) ir vėl priverždami svirtį į padėtį.

### Pavarų perjungimo svirtis

Pavarų perjungimo svirtį (6.2 pav.) įstatykite į padėtį per atramą (6.1 pav.) ant rankenos jungiamojo vamzdžio, į perjungimo pavaros svirtį (6.3 pav.) ir pritvirtinkite poveržle bei saugikliu.

### Sankabos, atbulinės eigos ir droselio trosai

Bet kokius su sankaba, atbuline eiga ar droselio susijusius trosus, kurių gamintojas dar nesurinko, turėtų montuoti tik apmokytas personalas artimiausioje prekybos parduotuvėje.

## DEGALŲ PILDYMAS IR TEPIMAS

### ISPĖJIMAS:

Mašina pristatoma be alyvos ir degalų.

Šiame gaminyje yra 4 taktų variklis, tai reiškia, kad degalų bake turi būti naudojamas benzinas (1.3 pav.), o variklis turi būti užpildytas alyva. Be to, vairalazdė turi pavarų dėžę, kuri taip pat turėtų būti sutepta alyva.

### PASTABA:

Norėdami išvengti degalų ar alyvos išsiliejimo, naudokite piltuvą.

Degalų specifikacijos: bešvinis benzinas arba 90 didesnio oktaninio skaičiaus.

### ISPĖJIMAS:

Degalams laikyti visada naudokite švarų indą ir nenaudokite kuro, laikomo ilgiau nei mėnesį.

Alyvos specifikacijos: Bendram naudojimui (5°C – 38°C) rekomenduojama SAE 10W40 alyva (10 pav.).

Norėdami užpildyti mašiną degalų:

1. Nuimkite degalų bako dangtelį (7.1 pav.).
2. Įpilkite degalų iki viršutinio kuro bako lygio. Palikite mažiausiai 5 mm tarpą tarp degalų viršaus ir bako vidinio krašto, kad galėtų išsiplėsti. Pusė ilgio (7.3 pav.) kuro bako dangtelio filtro (7.2 pav.) taip pat gali veikti kaip viršutinis degalų lygio ženklas, jei yra.
3. Vėl uždėkite degalų bako dangtelį ir tinkamai priveržkite.

Norėdami užpildyti variklį alyva:

1. Nuimkite alyvos pildymo angos dangtelį (8.3 pav.) nuo variklio alyvos pildymo angos kaklelio (8.2 pav.). Apatinė jo dalis yra alyvos lygio indikatorius.
2. Palaipsniui įpilkite tiek alyvos, kad alyvos lygis būtų tarp viršutinės (8.4 pav.) ir apatinės (8.5 pav.) ribos ant alyvos lygio indikatoriaus. Matavimas turi būti atliktas, kai matuoklis yra įdėtas, bet neįsuktas į užpildymo kaklelį.
3. Vėl uždėkite alyvos pildymo angos dangtelį ir tinkamai priveržkite.

Norėdami užpildyti pavarų dėžę alyva:

1. Nuimkite alyvos pildymo angos dangtelį nuo pavarų dėžės (1.8 pav.) alyvos įpylimo angos. Apatinė jo dalis yra alyvos lygio indikatorius.

2. Palaipsniui įpilkite tiek alyvos, kad alyvos lygis būtų tarp viršutinės (9.1 pav.) ir apatinės (9.2 pav.) ribos ant alyvos lygio indikatoriaus.
3. Vėl uždėkite alyvos pildymo angos dangtelį ir tinkamai priveržkite.

Norėdami užpildyti oro filtrą alyva (taikoma tik alyvos vonios tipo oro filteriui):

1. Nuimkite oro filtro dangtelį (11.1 pav.) ir oro filtro elementą (11.2 pav.) nuo oro filtro (1.4 pav.).
2. Palaipsniui įpilkite tiek alyvos, kad alyvos lygis pasiektų viršutinę alyvos lygio indikatoriaus ribą.
3. Pakeiskite oro filtro elementą.
4. Vėl uždėkite oro filtro dangtelį ir tinkamai priveržkite.

### ISPĖJIMAS:

Prieš užvesdami variklį, nuvalykite išsiliejusius degalus ir alyvą.

### IRENGINIO PALEIDIMAS

Prieš paleisdami mašiną:

1. Įsitinkinkite, kad ir mašina, ir jūs esate ant stabilios žemės.
2. Patikrinkite, ar visi tvirtinimo elementai yra pritvirtinti.
3. Paruoškite priedus ir įsitinkinkite, kad jie tinkamai sumontuoti.
4. Patikrinkite, ar oro filtras yra švarus ir ar oro įleidimo ir išleidimo angos neužkimštos pašalinių medžiagų.
5. Įpilkite reikiamą kiekį alyvos ir degalų.
6. Įsitinkinkite, kad sankabos svirtis (1.1 pav.) yra išjungta, o pavarų perjungimo svirtis (1.10 pav.) yra neutralioje padėtyje, kad būtų išvengta nekontroliuojamo vairalazdės judėjimo.

Norėdami paleisti mašiną:

1. Pasukite kuro vožtuvo svirtį (12.2 pav.) į „ON“ padėtį.
2. Perkelkite droselio svirtį (12.1 pav.) į padėtį „ON“.

### PASTABA:

Šis veiksmas taikomas tik šaltam variklio užvedimui. Kai variklis jau šiltas arba aplinkos temperatūra aukšta, droselio svirtis visada turi būti „OFF“ padėtyje.

3. Įjungimo / išjungimo jungiklį (1.14 pav.) nustatykite į padėtį „ON“ (16 pav.).
4. Pasukite droselio svirtį (1.13 pav.) į „L“ (mažo greičio) padėtį (13 pav.).
5. Kaire ranka tvirtai suimkite už mašinos rankenos, o dešine – už variklio starterio rankenos (14 pav.). Traukite starterio rankeną, kol pajusite pasipriešinimą, kad įjungtumėte variklį, tada tvirtai traukite, kad užvestumėte variklį.

### ISPĖJIMAS:

Kad nenutrūktų starterio virvė, netraukite jos per visą ilgį ir neleiskite jai slysti kabelio kreipiklio angos kraštu. Palaipsniui atleiskite starterį, kad neleistumėte jam nevaldomai skristi atgal.

6. Kai variklis įšyla, palaipsniui perkelkite droselio svirtį į „OFF“ padėtį, jei variklis buvo užvestas šaltai.

### PASTABA:

Norėdami užtikrinti maksimalų našumą ir patikimumą, leiskite varikliui sušilti prieš pradėdami dirbti ir paleiskite jį dvi ar tris minutes tuščiaja eiga.

## JRENGINIO VALDYMAS

### Sankabos svirtis

Patraukite sankabos svirtį (15.1 pav.) link rankenos (15.B pav.) ir laikykite ją vietoje, kad vairalazdė judėtų pasirinktu greičiu. Palaipsniui atleidus sankabos svirtį į neutralią padėtį (15.A pav.), vairalazdė sustos.

### ĮSPĖJIMAS:

Prieš naudojant pavarų perjungimo svirtį, sankabos svirtis turi būti atleista.

### Atbulinės eigos svirtis

Perjunkite pavarų perjungimo svirtį į „R“ (atbulinės eigos) padėtį. Dešine ranka patraukite atbulinės eigos svirtį link rankenos, kad įjungtumėte atbulinės eigos pavarą ir išlaikytumėte ją vietoje. Tada kaire ranka patraukite sankabos svirtį link rankenos ir laikykite ją savo vietoje, kad grąžulus pastumtų atgal. Palaipsniui atleidus sankabos svirtį į neutralią padėtį, vairalazdė sustos.

### ĮSPĖJIMAS:

Prieš naudojant pavarų perjungimo svirtį, atbulinės eigos svirtį reikia atleisti. Atbulinės eigos svirties niekada negalima naudoti, kai pavarų perjungimo svirtis yra bet kurioje priekinės pavaros padėtyje.

### Droselio svirtis

Norimą variklio sūkių skaičių galima nustatyti perkeliant variklio greičio svirtį tarp „H“ ir „L“, atitinkamai dideliam ir mažam greičiui (13 pav.).

### ĮSPĖJIMAS:

Prieš naudojant sankabą, variklio sūkius reikia sumažinti iki minimumo.

### Pavarų perjungimo svirtis

Perkelkite pavarų perjungimo svirtį į norimą padėtį, kad pasirinktumėte vairalazdės vartymo būdą:

- ▶ „R“: atbulinė pavana
- ▶ „O“: neutrali pavana
- ▶ „1“: pirmyn pavana numeris vienas
- ▶ „2“: antra pavana

### PASTABA:

„R“ ir „O“ pavaros turi tą pačią pavarų perjungimo svirties padėtį.

### PASTABA:

Jei pavarų perjungimo svirtis neįjungs norimos pavaros, išjunkite variklį. Tada patraukite sankabos svirtį ir rankiniu būdu šiek tiek paslinkite grąžtą atgal ir į priekį, kad pavarų dėžės viduje būtų pakeista pavarų padėtis.

## JRENGINIO SUSTABDYMAS

Norėdami sustabdyti mašiną:

1. Sumažinkite variklio greitį perkeldami droselio svirtį į „L“ padėtį.
2. Atleiskite sankabos svirtį, kad vairalazdė nejudėtų.
3. Atleiskite atbulinės eigos svirtį, jei vairalazdė veiks atbuline eiga.
4. Perkelkite pavarų perjungimo svirtį į neutralią padėtį.
5. Pasukite įjungimo / išjungimo jungiklį į „OFF“ padėtį.
6. Perkelkite kuro vožtuvo svirtį į padėtį „OFF“.

## PRIEŽIŪRA IR VALYMAS

### ĮSPĖJIMAS:

Niekada nedarykite priežiūros ar valymo įrenginiui veikiant. Visada dirbkite su vėsiu įrenginiu. Prieš valydami arba atlikdami technines priežiūros darbus, atjunkite uždegimo žvakės dangtelį ir perskaitykite atitinkamas instrukcijas. Visada dėvėkite tinkamus drabužius ir dėvėkite apsaugines pirštines, kai kyla pavojus jūsų rankoms.

Bet kokius šiame vadove neaprašytus reguliavimus ar technines priežiūros darbus turi atlikti pardavėjas arba specializuotas techninės priežiūros centras, turintis reikiamą žinių ir įrangos, kad būtų užtikrinta, jog darbas būtų atliktas teisingai, išlaikant pradinį mašinos saugos lygį. Bet kokios operacijos, atliekamos neleistinuose centruose arba ne kvalifikuotų asmenų, visiškai panaikins garantiją ir visus gamintojo įsipareigojimus bei atsakomybę.

Priveržkite visas veržles ir varžtus, kad įsitikintumėte, jog mašina visada yra saugios darbinės būklės. Įprasta priežiūra yra būtina siekiant užtikrinti saugumą ir išlaikyti aukštą našumo lygį.

### ĮSPĖJIMAS:

Niekada nenaudokite mašinos su susidėvėjusiomis ar pažeistomis dalimis. Sugėdusios arba susidėvėjusios dalys visada turi būti pakeistos, o ne taisomos. Naudokite tik originalias atsargines dalis.

## PRIEŽIŪROS GRAFIKAS

Daiktai		Dažnis				
		Prieš kiekvieną naudojimą	Po 1 mėnesio arba 5 valandų operacijos	Kas 3 mėnesius arba 25 darbo valandas	Kas 6 mėnesius arba 50 darbo valandų	Kas 12 mėnesių arba 100 darbo valandų
Pilnas vienetas	Apžiūra	✓				
	Saugios tvirtinimo detalės	✓				
Valdymo rankenos	Patikrinti	✓*				
Įkalamo noragai ir peiliai	Patikrinti	✓*				
variklio alyva	Patikrinti – papildyti	✓				
	Pakeiskite		✓		✓	
Pavarų dėžės alyva	Patikrinti – papildyti	✓				
	Pakeiskite					✓**
Ryšiai	Sutepkite			✓		
Oro filtras	Patikrinkite – išvalykite	✓*	✓*	✓*		
	Pakeiskite					✓

Daiktai		Dažnis				
		Prieš kiekvieną naudojimą	Po 1 mėnesio arba 5 valandų operacijos	Kas 3 mėnesius arba 2,5 darbo valandas	Kas 6 mėnesius arba 50 darbo valandų	Kas 12 mėnesių arba 100 darbo valandų
Uždėgimo žvakė	Patikrinkite – sureguliuokite				√*	
	Pakeiskite					√
Kuro filtras	Švarus			√		
Kuro vamzdis	Patikrinti					√*
Karbiuratoriaus nuosėdų taurė	Švarus				√	
Vožtuvo tarpas	Patikrinkite – sureguliuokite					√**
* Jei reikia, šiuos elementus reikia pakeisti.						
**Šiuos elementus turėtų prižiūrėti ir taisyti tik įgaliotasis atstovas, turintis tinkamus įrankius ir reikiamus mechaninius įgūdžius.						

## ARIMO ĮRANKIS

Periodiškai tikrinkite, ar arimo noragai nesusidėvėję ar nepažeisti. Pažeistos dalys turi būti pakeistos prieš vėl naudojant grąžtą. Arimo peilių susidėvėjimas neigiamai paveiks mašinos įdirbimo galimybes ir, jei reikia, juos reikia pakeisti.

## ŽAIDŽIA SANABOS, ATGALINĖS IR DROSELIO SVIRTIES

Nedidelius jau sumontuotas sankabos, atbulinės eigos ir droselio trosų reguliavimus galima atlikti naudojant kiekvieno trosų veržlę ir strypo varžtą svirties šone. Jei važiavimo atstumas netinkamas, atlaisvinkite fiksavimo veržlę ir sureguliuokite pagal laisvumą, sukdamė reguliavimo varžtą pagal poreikį. Baigę priveržkite fiksavimo veržlę ir dar kartą patikrinkite, ar tinkamai veikia sankabos svirtis.

Atlikę bet kokį susijusį reguliavimą, įsitinkinkite, kad sankabos, atbulinės eigos arba droselio svirtys juda iš vienos padėties į kitą nenaudojant per didelės jėgos ir kad atitinkamai pavarų dėžės arba variklio sankabos, atbulinės eigos arba droselio strypai gali būti naudojami visu diapazonu.

### PASTABA:

Rekomenduojama, kad tokius reguliavimus atliktų tik apmokytas personalas artimiausioje prekybos parduotuvėje, kad būtų užtikrintas originalus mašinos saugos standartas.

## TEPIMAS

### ĮSPĖJIMAS:

Lygio tikrinimas ir alyvos keitimas turi būti atliekamas ant tvirtos ir lygios žemės. Variklis visada turi būti su-

stabdytas. Jei variklis būtų dirbęs, jis bus karštas, todėl procedūrą reikia atlikti atsargiai ir imtis būtinų atsargumo priemonių, kad būtų išvengta nudegimų.

### PASTABA:

Išleiskite panaudotą alyvą, kol variklis šiltas. Šiltas aliejus greitai ir visiškai nuteka.

## Variklio alyva

Norėdami patikrinti alyvos lygį:

1. Nuimkite alyvos pildymo angos dangtelį nuo variklio alyvos įpylimo angos.
2. Švariai nuvalykite alyvos lygio indikatorių.
3. Alyvos pildymo angos dangtelį įkiškite į alyvos pildymo angos kaklelį, jo neužsukdami.
4. Nuimkite pildymo angos dangtelį ir patikrinkite alyvos lygį, rodomą alyvos lygio indikatoriuje. Jei reikia, įpilkite tiek alyvos, kad alyvos lygis būtų tarp viršutinės ir apatinės alyvos lygio indikatoriaus ribos.
5. Vėl uždėkite alyvos pildymo angos dangtelį ir tinkamai priveržkite.

Norėdami pakeisti alyvą:

1. Nuimkite alyvos pildymo angos dangtelį nuo variklio alyvos įpylimo angos.
2. Padėkite tinkamą indą po alyvos išleidimo kaiščiu (8.1 pav.), kad surinktumėte panaudotą alyvą.
3. Nuimkite alyvos išleidimo kaištį ir leiskite alyvai visiškai nutekėti.
4. Pakeiskite alyvos išleidimo kaištį ir tinkamai priveržkite.
5. Palaipsniui įpilkite tiek alyvos, kad alyvos lygis būtų tarp viršutinės ir apatinės alyvos lygio indikatoriaus ribos.
6. Vėl uždėkite alyvos pildymo angos dangtelį ir tinkamai priveržkite.

### PASTABA:

Jei variklis dažnai dirba labai dulkėtomis ar kitomis sunkiomis aplinkybėmis, pakeiskite variklio alyvą kas 25 valandas.

### ĮSPĖJIMAS:

Varikliui veikiant sumažėjęs alyvos lygis sugadins variklį.

## Pavarų dėžės alyva

Norėdami patikrinti alyvos lygį:

1. Nuimkite alyvos pildymo angos dangtelį nuo pavarų dėžės alyvos įpylimo angos.
2. Patikrinkite alyvos lygį. Jei reikia, įpilkite tiek alyvos, kad alyvos lygis būtų tarp viršutinės ir apatinės alyvos lygio indikatoriaus ribos.
3. Uždėkite alyvos pildymo angos dangtelį ir tinkamai priveržkite.

Norėdami pakeisti alyvą:

Pavarų dėžės alyvos keitimo darbus turi atlikti pardavėjas arba specializuotas aptarnavimo centras, turintis reikiamų žinių ir įrangos.

### ĮSPĖJIMAS:

Dirbant vairalazdė sumažės pavarų dėžės alyvos lygis, sugadins pavarų dėžę.

## Jungčių tepimas

Sutepkite jungtis kas dešimt darbo valandų, taip pat prieš ilgą laiką sandėliuojant, variklio alyva arba švaria aliejuje sudrėkinta šluoste.

**ORO FILTRAS****ĮSPĖJIMAS:**

Jei variklis veikia be oro valytuvo arba su pažeistu oro valytuvu, į variklį pateks nešvarumų, dėl kurių variklis greitai nusidėvės.

Norėdami patikrinti, išvalyti arba pakeisti oro filtrą (11 pav.):

1. Nuimkite oro filtro dangtelį.
2. Įsitinkinkite, kad oro filtro elementas yra švarus ir geros būklės. Jei jis nešvarus, nuimkite ir nuvalykite.
  - ▶ Norėdami išvalyti putplasčio oro filtro elementą, nuplaukite jį naminiu plovikliu ir karštu vandeniu ir leiskite išdžiūti. Tada pamirkykite jį švarioje prisotintoje variklio alyvoje ir švelniai išspauskite alyvos perteklių. Jei reikia, pakeiskite jį nauju.
  - ▶ Norėdami išvalyti popierinį oro filtro elementą, nuvalykite lengvus nešvarumus kelis kartus švelniai prikljuodami juos ant kieto paviršiaus ir pakeiskite, jei yra daug nešvarumų.
3. Nuvalykite oro filtro korpuso vidų ir uždenkite nuo nešvarumų minkšta šluoste. Jei variklyje yra alyvos vonios tipo oro filtras, pakeiskite alyvą nauja variklio alyva.
4. Vėl įstatykite oro filtro elementą ir atlikite atvirktinę procedūrą, kad grąžintumėte oro filtro dangtelį.

**ĮSPĖJIMAS:**

Niekada nevalykite oro filtro degiais arba žemos pliūpsnio temperatūros plovikliais, kad išvengtumėte gaisro ar sprogiemo pavojaus.

**PASTABA:**

Jei variklis dažnai dirba dulketomis ar kitomis sunkiomis aplinkybėmis, išvalykite oro filtrą kas 10 valandų ir įpilkite alyvą nauja. Jei reikia, keiskite oro filtro elementą kas 25 valandas.

**UŽDEGIMO ŽVAKĖ**

Norėdami prižiūrėti uždegimo žvakę (17.1 pav.):

1. Nuimkite uždegimo žvakės dangtelį, kad pasiektumėte uždegimo žvakę.
2. Naudokite atitinkamą uždegimo žvakės įrankį (17.2 pav.), kad atsargiai ištrauktumėte uždegimo žvakę.
3. Patikrinkite uždegimo žvakės ir jos elektrodo būklę. Ji turi būti švari ir nedėvėta. Patikrinkite, ar tarpas tarp uždegimo žvakės yra nuo 0,7 iki 0,8 mm (17 pav.). Jei reikia, pakeiskite uždegimo žvakę nauja.
4. Ranka atsargiai įkiškite uždegimo žvakę į variklį.
5. Įsriegę sriegį, naudokite atitinkamą uždegimo žvakės įrankį, kad priveržtumėte uždegimo žvakę, atkreipkite dėmesį, kad nepažeistumėte sriegių per didelės jėgos.
6. Vėl uždėkite uždegimo žvakės dangtelį.

**ĮSPĖJIMAS:**

Niekada neleiskite purvui ar šiukšlėms patekti į cilindro angą. Prieš išimdami uždegimo žvakę, kruopščiai nuvalykite uždegimo žvakę ir cilindro galvutės sritį.

**KURO NUODUODŲ TAURAS****ĮSPĖJIMAS:**

Degalų karbiuratorius prižiūrėkite tik lauke ir gerai vėdinamose vietose.

Norėdami prižiūrėti kuro nuosėdų indelį:

1. Pasukite kuro vožtuvą į „OFF“ padėtį.
  2. Nuimkite karbiuratoriaus degalų nuosėdų taurėlę (18.2 pav.) su guminiu sandarikliu žiedu (18.1 pav.).
  3. Nuimtas dalis nuplaukite tirpiklyje, gerai išdžiovinkite.
- ĮSPĖJIMAS:**
- Niekada nevalykite degalų nuosėdų puodelio degiaisiais arba žemos pliūpsnio temperatūros plovikliais, kad išvengtumėte gaisro ar sprogiemo pavojaus.
4. Jei reikia, pakeiskite guminį sandariklio žiedą nauju.
  5. Vėl uždėkite guminį sandariklio žiedą ir nuosėdų taurę ir pritvirtinkite.
  6. Pasukite kuro vožtuvą į padėtį „ON“ ir patikrinkite, ar nėra kuro nuotėkio.

**KURO FILTRAS**

Priklausomai nuo vairalazdės modelio degalų bako gali būti filtras, esantis prie degalų bako dangtelio. Kuro filtrą galima išimti ir jį reikia periodiškai tikrinti. Jei filtras yra nešvarus, išvalykite jį ir prireikus pakeiskite nauju. Jei degalų bako vidus yra nešvarus, jį galima išvalyti išskalaujant kuro baką švariu benzinu.

**VALYMAS**

Nedidelį minkštą šepetėlį valykite įrenginio išorę. Nenaudokite stiprių ploviklių. Buitiniai valikliai, kurių sudėtyje yra aromatinių aliejų, pvz., pušų ir citrinų, ir tirpiklių, tokių kaip žibalas, gali pažeisti plastikinį korpusą arba rankeną. Drėgnę nuvalykite minkšta šluoste. Virbalus ir sparnus galima nuplauti vandeniu naudojant sodo žarną.

**SANDĖLIAVIMAS****ĮSPĖJIMAS:**

Niekada nelaiykite įrenginio su degalų bako ir visada leiskite įrenginiui atvėsti prieš padėdami. Laikykite įrenginį tik sausoje ir gerai vėdinamose patalpose. Jei įrenginys bus saugomas ilgesnį laiką, naudokite šią saugojimo procedūrą:

1. Iš kuro bako išleiskite visus degalus.
2. Užveskite variklį ir leiskite jam veikti, kol užges. Tai užtikrina, kad iš karbiuratoriaus buvo išleisti visi degalai.
3. Pakeiskite variklio alyvą nauja.
4. Pakeiskite pavarų dėžės alyvą nauja.
5. Pakeiskite oro filtro alyvą nauja, jei oro filtras yra alyvos vonios tipo.
6. Ištraukite uždegimo žvakę ir į cilindrą įpilkite 30 ml aukštos kokybės variklio alyvos. Lėtai traukite starterio virvę, kad pasiskirstytų alyva. Vėl įstatykite uždegimo žvakę.
7. Kruopščiai išvalykite įrenginį ir patikrinkite, ar nėra palaidų ar pažeistų dalių. Pataisykite arba pakeiskite pažeistas dalis ir priveržkite atsilaisvintus varžtus, veržles arba varžtus.
8. Visas reikalingas dalis sutepkite alyvoje drėgna šluoste, kad nesusidarytų rūdžių.

## **APLINKOS APSAUGA**

Perdirbkite žaliavas, o ne išmeskite kaip atliekas. Mašina, priedai ir pakuotės turi būti rūšiuojamos, kad būtų galima perdirbti aplinkai nekenksmingą. Plastikiniai komponentai yra paženklinėti, kad juos būtų galima perdirbti.

Panaudotą variklinę alyvą ir talpas išmeskite taip, kad jos būtų suderinamos su aplinka. Rekomenduojame nugabenti jį sandariame konteineryje į vietinį perdirbimo centrą arba degalinę, kad būtų galima sutvarkyti. Neišmeskite jo į šiukšliadėžę, nepilkite ant žemės ir neišpilkite į kanalizaciją.

## **GARANTIJA**

Šiam gaminiui suteikiama garantija pagal teisinius / konkrečios šalies reglamentus, kurie galioja nuo pirmojo naudotojo įsigijimo datos. Garantija netaikoma žalai, atsiradusioms dėl normalaus nusidėvėjimo, perkrovos ar netinkamo naudojimo. Jei turite pretenzijų, visiškai surinktą mašiną nusiųskite pardavėjui arba oficialiam aptarnavimo centrui.

<b>TECHNICAL DATA</b>				
<b>Article Number</b>		<b>46 141</b>	<b>46 142</b>	<b>47 287</b>
<b>Model</b>		<b>GTL 900 PRO</b>	<b>GTL 1250 PRO</b>	<b>GTL 1500 PRO</b>
Transmission Type		GEAR - DIRECT	GEAR - DIRECT	GEAR - DIRECT
Number of Forward Speeds		2	2	2
Forward Tool Rotation Speed (Fast / Slow)	rpm	125,0 / 90,0	145,0 / 83,5	145,0 / 83,5
Number of Reverse Speeds		1	1	1
Reverse Tool Rotation Speed	rpm	66,0	62,6	62,6
Tilling Width	cm	90	125	150
Tilling Depth	mm	≥ 110	≥ 100	≥ 100
Maximum Tilling Depth	mm	320	320	320
Engine Type		4-STROKE	4-STROKE	4-STROKE
Engine Displacement	cc	212	301	420
Engine Maximum Power	hp	6,50	8,90	13,00
Engine Rated Power	kW	3,60	5,00	7,20
Engine Rated Speed	min <sup>-1</sup>	3.600	3.600	3.600
Fuel Type		GASOLINE	GASOLINE	GASOLINE
Fuel Tank Capacity	L	3,60	5,40	6,50
Engine Oil Capacity	L	0,60	1,10	1,10
Gearbox Oil Capacity	L	1,70	2,20	2,20
Starting Type		RECOIL	RECOIL	RECOIL/ELECTRIC
Total Number of Knives		24	32	40
Total Number of Tines		6	8	10
Side Discs		YES	YES	YES
Adjustable Handle (Up-Down)		YES	YES	YES
Adjustable Handle (Left-Right)		NO	YES	YES
Front Transport Wheel		NO	NO	NO
Rear Transport Wheels		YES	YES	YES
Net Weight	kg	73	103	121



<b>DONNÉES TECHNIQUES</b>				
<b>Numéro d'article</b>		<b>46 141</b>	<b>46 142</b>	<b>47 287</b>
<b>Modèle</b>		<b>GTL 900 PRO</b>	<b>GTL 1250 PRO</b>	<b>GTL 1500 PRO</b>
Type de transmission		ENGRENAGE - DIRECT	ENGRENAGE - DIRECT	ENGRENAGE - DIRECT
Nombre de vitesses vers l'avant		2	2	2
Vitesse de rotation des outils avant (rapide / lent)	rpm	125,0 / 90,0	145,0 / 83,5	145,0 / 83,5
Nombre de vitesses inverses		1	1	1
Vitesse de rotation inverse de l'outil	rpm	66,0	62,6	62,6
Largeur de labour	cm	90	125	150
Profondeur de labour	mm	≥ 110	≥ 100	≥ 100
Profondeur maximale de labour	mm	320	320	320
Type de moteur		4-TEMPS	4-TEMPS	4-TEMPS
Déplacement du moteur	cc	212	301	420
Puissance maximale du moteur	hp	6,50	8,90	13,00
Puissance nominale du moteur	kW	3,60	5,00	7,20
Vitesse nominale du moteur	min <sup>-1</sup>	3.600	3.600	3.600
Type de carburant		ESSENCE	ESSENCE	ESSENCE
Capacité du réservoir de carburant	L	3,60	5,40	6,50
Capacité d'huile moteur	L	0,60	1,10	1,10
Capacité d'huile de boîte de vitesses	L	1,70	2,20	2,20
Type de départ		RECU	RECU	RECU/ÉLECTRIQUE
Nombre total de couteaux		24	32	40
Nombre total de dents		6	8	10
Disques latéraux		OUI	OUI	OUI
Poignée réglable (haut-bas)		OUI	OUI	OUI
Poignée réglable (gauche-droite)		NON	OUI	OUI
Roue de transport avant		NON	NON	NON
Roues de transport arrière		OUI	NON	OUI
Poids net	kg	73	103	121

<b>DATI TECNICI</b>				
<b>Numero articolo</b>		<b>46 141</b>	<b>46 142</b>	<b>47 287</b>
<b>Modello</b>		<b>GTL 900 PRO</b>	<b>GTL 1250 PRO</b>	<b>GTL 1500 PRO</b>
Tipo di trasmissione		INGRANAGGIO - DIRETTO	INGRANAGGIO - DIRETTO	INGRANAGGIO - DIRETTO
Numero di velocità in avanti		2	2	2
Velocità di rotazione dell'utensile in avanti (veloce / lenta)	rpm	125,0 / 90,0	145,0 / 83,5	145,0 / 83,5
Numero di velocità inversa		1	1	1
Velocità di rotazione dell'utensile inverso	rpm	66,0	62,6	62,6
Larghezza di lavorazione	cm	90	125	150
Profondità di lavorazione	mm	≥ 110	≥ 100	≥ 100
Profondità massima di lavorazione	mm	320	320	320
Tipo di motore		4-TEMPI	4-TEMPI	4-TEMPI
Cilindrata	cc	212	301	420
Potenza massima del motore	hp	6,50	8,90	13,00
Potenza nominale del motore	kW	3,60	5,00	7,20
Velocità nominale del motore	min <sup>-1</sup>	3.600	3.600	3.600
Tipo di carburante		BENZINA	BENZINA	BENZINA
Capacità della tanica di benzina	L	3,60	5,40	6,50
Capacità olio motore	L	0,60	1,10	1,10
Capacità olio cambio	L	1,70	2,20	2,20
Tipo di partenza		RINCULO	RINCULO	RINCULO/ELETTRICA
Numero totale di coltelli		24	32	40
Numero totale di denti		6	8	10
Dischi Laterali		SÌ	SÌ	SÌ
Maniglia regolabile (su-giù)		SÌ	SÌ	SÌ
Maniglia regolabile (sinistra-destra)		NO	SÌ	SÌ
Ruota di trasporto anteriore		NO	NO	NO
Ruote di trasporto posteriori		SÌ	SÌ	SÌ
Peso netto	kg	73	103	121

<b>ΤΕΧΝΙΚΑ ΧΑΡΑΚΤΗΡΙΣΤΙΚΑ</b>				
<b>Κωδικός Είδους</b>		<b>46 141</b>	<b>46 142</b>	<b>47 287</b>
<b>Μοντέλο</b>		<b>GTL 900 PRO</b>	<b>GTL 1250 PRO</b>	<b>GTL 1500 PRO</b>
Τύπος μετάδοσης		ΚΟΡΩΝΑ - ΠΗΝΙΟ	ΚΟΡΩΝΑ - ΠΗΝΙΟ	ΚΟΡΩΝΑ - ΠΗΝΙΟ
Αριθμός ταχυτήτων εμπρός		2	2	2
Εμπρός ταχύτητα φρέζας (Γρήγορο / Αργό)	rpm	125,0 / 90,0	145,0 / 83,5	145,0 / 83,5
Αριθμός ταχυτήτων όπισθεν		1	1	1
Όπισθεν ταχύτητα φρέζας	rpm	66,0	62,6	62,6
Πλάτος εργασίας	cm	90	125	150
Βάθος εργασίας	mm	≥ 110	≥ 100	≥ 100
Μέγιστο βάθος εργασίας	mm	320	320	320
Τύπος κινητήρα		4-ΧΡΟΝΟΣ	4-ΧΡΟΝΟΣ	4-ΧΡΟΝΟΣ
Κυβισμός κινητήρα	cc	212	301	420
Μέγιστη ισχύς κινητήρα	hp	6,50	8,90	13,00
Ονομαστική ισχύς κινητήρα	kW	3,60	5,00	7,20
Ονομαστική ταχύτητα κινητήρα	min <sup>-1</sup>	3.600	3.600	3.600
Τύπος καυσίμου		BENZINΗ	BENZINΗ	BENZINΗ
ΧΩΡΗΤΙΚΟΤΗΤΑ ΔΕΞΑΜΕΝΗΣ ΚΑΥΣΙΜΩΝ	L	3,60	5,40	6,50
Χωρητικότητα λαδιού κινητήρα	L	0,60	1,10	1,10
Χωρητικότητα λαδιού κιβωτίου ταχυτήτων	L	1,70	2,20	2,20
Τύπος εκκίνησης		ΑΝΑΚΡΟΥΣΗ	ΑΝΑΚΡΟΥΣΗ	ΑΝΑΚΡΟΥΣΗ / ΗΛΕΚΤΡΙΚΟΣ
Συνολικός αριθμός μαχαιριών		24	32	40
Συνολικός αριθμός δοντιών		6	8	10
Πλευρικοί Δίσκοι		ΝΑΙ	ΝΑΙ	ΝΑΙ
Ρυθμιζόμενη λαβή (πάνω-κάτω)		ΝΑΙ	ΝΑΙ	ΝΑΙ
Ρυθμιζόμενη λαβή (αριστερά-δεξιά)		ΟΧΙ	ΝΑΙ	ΝΑΙ
Μπροστινός τροχός μεταφοράς		ΟΧΙ	ΟΧΙ	ΟΧΙ
Πίσω τροχοί μεταφοράς		ΝΑΙ	ΝΑΙ	ΝΑΙ
Καθαρό βάρος	kg	73	103	121

<b>TEHNIČKI PODACI</b>				
<b>Broj članka</b>		<b>46 141</b>	<b>46 142</b>	<b>47 287</b>
<b>Model</b>		<b>GTL 900 PRO</b>	<b>GTL 1250 PRO</b>	<b>GTL 1500 PRO</b>
Vrsta preNEsa		ZUPČANIK - DIREKTAN	ZUPČANIK - DIREKTAN	ZUPČANIK - DIREKTAN
Broj brzina unapred		2	2	2
Brzina rotacije alatke unapred (brzo / sporo)	rpm	125,0 / 90,0	145,0 / 83,5	145,0 / 83,5
Broj obrnutih brzina		1	1	1
Brzina rotacije obrnute alatke	rpm	66,0	62,6	62,6
Širina tila	cm	90	125	150
Dubina tila	mm	≥ 110	≥ 100	≥ 100
Maksimalna dubina tila	mm	320	320	320
Tip mašine		4-POTEZ	4-POTEZ	4-POTEZ
Premeštanje motora	cc	212	301	420
Maksimalna snaga mašine	hp	6,50	8,90	13,00
Snaga ocenjena sa motorom	kW	3,60	5,00	7,20
Brzina ocene motora	min <sup>-1</sup>	3.600	3.600	3.600
Vrsta goriva		BENZIN	BENZIN	BENZIN
Kapacitet rezervoara za gorivo	L	3,60	5,40	6,50
Kapacitet motorNEg ulja	L	0,60	1,10	1,10
Kapacitet ulja menjača	L	1,70	2,20	2,20
Početni tip		TRZAJ	TRZAJ	TRZAJ / ELEKTRIINI
Ukupan broj NEževa		24	32	40
Ukupan broj Tines		6	8	10
Bočni diskovi		DA	DA	DA
Podesivi regulator (gore-dole)		DA	DA	DA
Podesivi regulator (levo-desNE)		NE	DA	DA
Prednji transportni točak		NE	NE	NE
Točkovi zadnjeg transporta		DA	DA	DA
Neto težina	kg	73	103	121



<b>TEHNIČKI PODACI</b>				
<b>Broj članka</b>		<b>46 141</b>	<b>46 142</b>	<b>47 287</b>
<b>Model</b>		<b>GTL 900 PRO</b>	<b>GTL 1250 PRO</b>	<b>GTL 1500 PRO</b>
Vrsta prijenosa		ZUPČANIK - IZRAVNI	ZUPČANIK - IZRAVNI	ZUPČANIK - IZRAVNI
Broj brzina naprijed		2	2	2
Brzina rotacije naprijed alata (brzo / sporo)	rpm	125,0 / 90,0	145,0 / 83,5	145,0 / 83,5
Broj obrnutih brzina		1	1	1
Brzina vrtnje obrnutog alata	rpm	66,0	62,6	62,6
Širina obrade	cm	90	125	150
Dubina obrade	mm	≥ 110	≥ 100	≥ 100
Maksimalna dubina obrade	mm	320	320	320
Vrsta motora		4-MOŽDANI UDAR	4-MOŽDANI UDAR	4-MOŽDANI UDAR
Pomak motora	cc	212	301	420
Maksimalna snaga motora	hp	6,50	8,90	13,00
Nazivna snaga motora	kW	3,60	5,00	7,20
Nazivna brzina motora	min <sup>-1</sup>	3.600	3.600	3.600
Vrsta goriva		BENZIN	BENZIN	BENZIN
Kapacitet spremnika goriva	L	3,60	5,40	6,50
Kapacitet motorne ulja	L	0,60	1,10	1,10
Kapacitet ulja u mjenjaču	L	1,70	2,20	2,20
Početni tip		UZDAJTE SE	UZDAJTE SE	UZDAJTE SE / ELEKTRIČNE
Ukupan broj NEževa		24	32	40
Ukupan broj zubaca		6	8	10
Bočni diskovi		DA	DA	DA
Podesiva ručka (gore-dolje)		DA	DA	DA
Podesiva ručka (lijevo-desno)		NE	DA	DA
Prednji transportni kotač		NE	NE	NE
Stražnji transportni kotači		DA	DA	DA
Neto težina	kg	73	103	121

DATE TEHNICE				
Număr articol		46 141	46 142	47 287
Model		GTL 900 PRO	GTL 1250 PRO	GTL 1500 PRO
Tip de transmisie		ECHIPAMENT - DIRECT	ECHIPAMENT - DIRECT	ECHIPAMENT - DIRECT
Număr de viteze înainte		2	2	2
Viteza de rotație a instrumentului înainte (rapidă / lentă)	rpm	125,0 / 90,0	145,0 / 83,5	145,0 / 83,5
Număr de viteze de inversare		1	1	1
Viteza de rotire a instrumentului invers	rpm	66,0	62,6	62,6
Lățime arat	cm	90	125	150
Adâncime a arilei	mm	≥ 110	≥ 100	≥ 100
Adâncime maximă de arat	mm	320	320	320
Tip motor		4-TIMPI	4-TIMPI	4-TIMPI
Deplasarea motorului	cc	212	301	420
Puterea maximă a motorului	hp	6,50	8,90	13,00
Puterea NUminală a motorului	kW	3,60	5,00	7,20
Viteza NUminală a motorului	min <sup>-1</sup>	3.600	3.600	3.600
Tipul combustibilului		BENZINĂ	BENZINĂ	BENZINĂ
Capacitatea rezervorului de combustibil	L	3,60	5,40	6,50
Capacitatea uleiului de motor	L	0,60	1,10	1,10
Capacitate ulei cutie de viteze	L	1,70	2,20	2,20
Tip de pornire		RECU	RECU	RECU / ELECTRIC
Numărul total de cuțite		24	32	40
Numărul total de cuțite		6	8	10
Discuri laterale		DA	DA	DA
Mâner reglabil (sus-jos)		DA	DA	DA
Mâner reglabil (stânga-dreapta)		NU	DA	DA
Roata de transport fata		NU	NU	NU
Roți de transport din spate		DA	DA	DA
Greutate netă	kg	73	103	121

<b>MŰSZAKI ADATOK</b>				
<b>Cikkszám</b>		<b>46 141</b>	<b>46 142</b>	<b>47 287</b>
<b>Modell</b>		<b>GTL 900 PRO</b>	<b>GTL 1250 PRO</b>	<b>GTL 1500 PRO</b>
Átviteli típus		GEAR – KÖZVETLEN	GEAR – KÖZVETLEN	GEAR – KÖZVETLEN
Előremeneti sebességek száma		2	2	2
Előre forgási sebesség (gyors / lassú)	rpm	125,0 / 90,0	145,0 / 83,5	145,0 / 83,5
A hátrameneti sebességek száma		1	1	1
Fordított szerszám forgási sebesség	rpm	66,0	62,6	62,6
Művelési szélesség	cm	90	125	150
Művelési mélység	mm	≥ 110	≥ 100	≥ 100
Maximális művelési mélység	mm	320	320	320
Motor típus		4 ÜTEM	4 ÜTEM	4 ÜTEM
Motor lökettérfogat	cc	212	301	420
Motor maximális teljesítménye	hp	6,50	8,90	13,00
Motor névleges teljesítmény	kW	3,60	5,00	7,20
Motor névleges fordulatszáma	min <sup>-1</sup>	3.600	3.600	3.600
Üzemanyagtípus		BENZIN	BENZIN	BENZIN
Üzemanyagtartály kapacitás	L	3,60	5,40	6,50
Motorolaj kapacitás	L	0,60	1,10	1,10
Sebességváltó olajkapacitás	L	1,70	2,20	2,20
Kezdő típus		VISSZARÚG	VISSZARÚG	RECOIL / ELEKTROMOS
Kések teljes száma		24	32	40
Fogak teljes száma		6	8	10
Oldalsó lemezek		IGEN	IGEN	IGEN
Állítható fogantyú (fel-le)		IGEN	IGEN	IGEN
Állítható fogantyú (bal-jobb)		NEM	IGEN	IGEN
Első szállító kerék		NEM	NEM	NEM
Hátsó szállítókerékek		IGEN	IGEN	IGEN
Nettó tömeg	kg	73	103	121

<b>TECHNINIAI DUOMENYS</b>				
<b>Straipsnio numeris</b>		<b>46 141</b>	<b>46 142</b>	<b>47 287</b>
<b>Modelis</b>		<b>GTL 900 PRO</b>	<b>GTL 1250 PRO</b>	<b>GTL 1500 PRO</b>
Perdavimo tipas		PAVARA - TIESIOGINĖ	PAVARA - TIESIOGINĖ	PAVARA - TIESIOGINĖ
Priekinių greičių skaičius		2	2	2
Priekinio įrankio sukimosi greitis (greitas / lėtas)	rpm	125,0 / 90,0	145,0 / 83,5	145,0 / 83,5
Atbulinės eigos greičių skaičius		1	1	1
Atvirkštinio įrankio sukimosi greitis	rpm	66,0	62,6	62,6
Žemės dirbimo plotis	cm	90	125	150
Žemės dirbimo gylis	mm	≥ 110	≥ 100	≥ 100
Maksimalus įdirbimo gylis	mm	320	320	320
Variklio tipas		4 - INSULTAS	4 - INSULTAS	4 - INSULTAS
Variklio darbinis tūris	cc	212	301	420
Didžiausia variklio galia	hp	6,50	8,90	13,00
Variklio vardinė galia	kW	3,60	5,00	7,20
Variklio vardinis sukčių dažnis	min <sup>-1</sup>	3.600	3.600	3.600
Kuro tipas		BENZINAS	BENZINAS	BENZINAS
Degalų bako talpa	L	3,60	5,40	6,50
Variklio alyvos talpa	L	0,60	1,10	1,10
Pavarų dėžės alyvos talpa	L	1,70	2,20	2,20
Pradinis tipas		ATATRANKĄ	ATATRANKĄ	ATATRANKĄ / ELEKTRINIS
Bendras peilių skaičius		24	32	40
Bendras tuzinų skaičius		6	8	10
Šoniniai diskai		Taip	Taip	Taip
Reguliuojama rankena (aukšty - žemyn)		Taip	Taip	Taip
Reguliuojama rankena (kairė - dešinė)		Ne	Taip	Taip
Priekinis transportavimo ratas		Ne	Ne	Ne
Galiniai transporto ratai		Taip	Taip	Taip
Grynas svoris	kg	73	103	121



EN	EU DECLARATION OF CONFORMITY		We declare under our sole responsibility that the listed products comply with all applicable provisions of the below directives and are also in conformity with the following standards. Production year and serial number are on the product. The relative technical file is at the below address.	
	PETROL TILLER			
	MODEL	Article number		
FR	DÉCLARATION CE DE CONFORMITÉ		Nous déclarons sous notre propre responsabilité que les produits décrits sont conformes à toutes les dispositions applicables des directives ci-dessous et sont également conformes aux normes suivantes. L'année de production et le numéro de série figurent sur le produit. Le dossier technique correspondant est à l'adresse ci-dessous.	
	MOTOCULTEUR À ESSENCE			
	MODÈLE	Numéro de l'article		
IT	DICHIARAZIONE CE DI CONFORMITÀ		Dichiaro sotto la nostra piena responsabilità che i prodotti indicati sono conformi a tutte le disposizioni applicabili delle seguenti direttive e sono inoltre conformi alle seguenti norme. Anno di produzione e numero di serie sono sul prodotto. La relativa scheda tecnica è al seguente indirizzo.	
	MOTOZAPPA A BENZINA			
	MODELLO	Codice prodotto		
EL	ΔΗΛΩΣΗ ΣΥΜΜΟΡΦΩΣΗΣ ΕΚ		Δηλώνουμε με αποκλειστική μας ευθύνη, ότι τα αναφερόμενα προϊόντα συμμορφώνονται με όλες τις σχετικές διατάξεις των κάτωθι οδηγιών και είναι επίσης σύμφωνα με τα ακόλουθα πρότυπα. Το έτος παραγωγής και ο σειριακός αριθμός αναγράφονται στο προϊόν. Ο τεχνικός φάκελος είναι στην παρακάτω διεύθυνση.	
	ΣΚΑΠΤΙΚΟ BENZINHΣ			
	ΜΟΝΤΕΛΟ	Κωδικός προϊόντος		
SR	CE IZJAVA O USAGLAŠENOSTI		Na sopstvenu odgovornost izjavljujemo, da navedeni proizvodi poštuju sve važeće odredbe dode navedenih direktiva i da su takođe u skladu sa sledećim standardima. Proizvodna godina i serijski broj su na proizvodu. Relativna tehnološka datoteka je na donje adrese.	
	MOTORNI KULTIVATOR			
	MODEL	Broj predmeta		
HR	EU IZJAVA O SUKLADNOSTI		Pod punom odgovornošću izjavljujemo da navedeni proizvodi u skladu sa svim primjenjivim odredbama dolje navedenih direktiva, a također su u skladu sa sledećim standardima. Godina proizvodnje i serijski broj su na proizvodu. Relativna tehnička datoteka nalazi se na donjoj adresi.	
	MOTORNA FREZA ZA BENZIN			
	MODEL	Broj artikla		
RO	DECLARAȚIE DE CONFORMITATE UE		Declarăm pe proprie răspundere că produsele menționate respectă toate prevederile aplicabile din directivele de mai jos și sunt, de asemenea, conforme cu următoarele standarde. Anul de producție și numărul de serie sunt pe produs. Fișierul tehnic relativ se află la adresa de mai jos.	
	MOTOCULTOR PE BENZINA			
	MODEL	Număr articol		
HU	EU MEGFELELŐSÉGI NYILATKOZAT		Kijelentjük kizárólagos felelősségünkre, hogy a felsorolt termékek megfelelnek az alábbi irányelvek összes vonatkozó rendelkezésének, és megfelelnek a következő szabványoknak is. A gyártási év és a sorozatszám a terméken található. A relatív műszaki fájl az alábbi címen található.	
	BENZINES KAPÁLÓGÉP			
	MODELL	Cikk szám		
LT	ES ATITIKTIES DEKLARACIJA		Mes, prisimdami visą atsakomybę, pareiškiame, kad išvardyti produktai atitinka visas taikomas toliau nurodytų direktyvų nuostatas ir taip pat atitinka šiuos standartus. Gamybos metai ir serijos numeris yra ant gaminio. Santykinis technologinis failas yra žemiau nurodytu adresu.	
	BENZININIS KULTIVATORIUS			
	MODELIS	Straipsnis Numeris		
	GTL 900 PRO	46 141	2006/42/EC	
	GTL 1250 PRO	46 142	2014/30/EU	EN ISO 14982:2009
	GTL 1500 PRO	47 287	(EU) 2016/1628	
Aimilios G. Theodorou Electrical Engineer, Safety Officer  23/9/2022 FF GROUP TOOL INDUSTRIES, 19300 Aspropyrgos-Greece.			<b>FF GROUP TOOL INDUSTRIES</b> 9,5km Attiki Odos, Aspropyrgos 19300, Athens, Greece Tel. +30 210 55 98 400	
				







**FF GROUP TOOL INDUSTRIES**



**9,5 Km Attiki Odos, Aspropyrgos**

**19300, Athens, Greece**



**+30 210 55 98 400**



**info@ffgroup-toolindustries.com**



**www.ffgroup-tools.com**