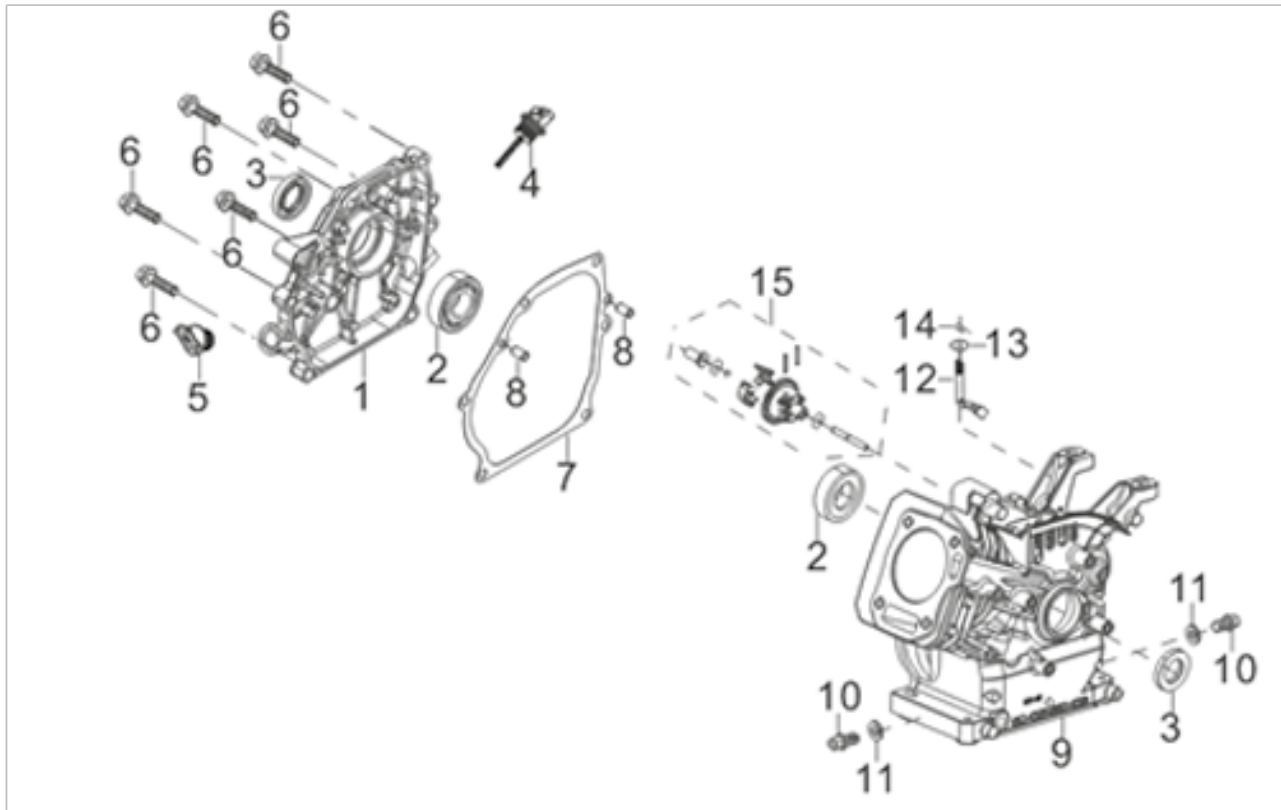
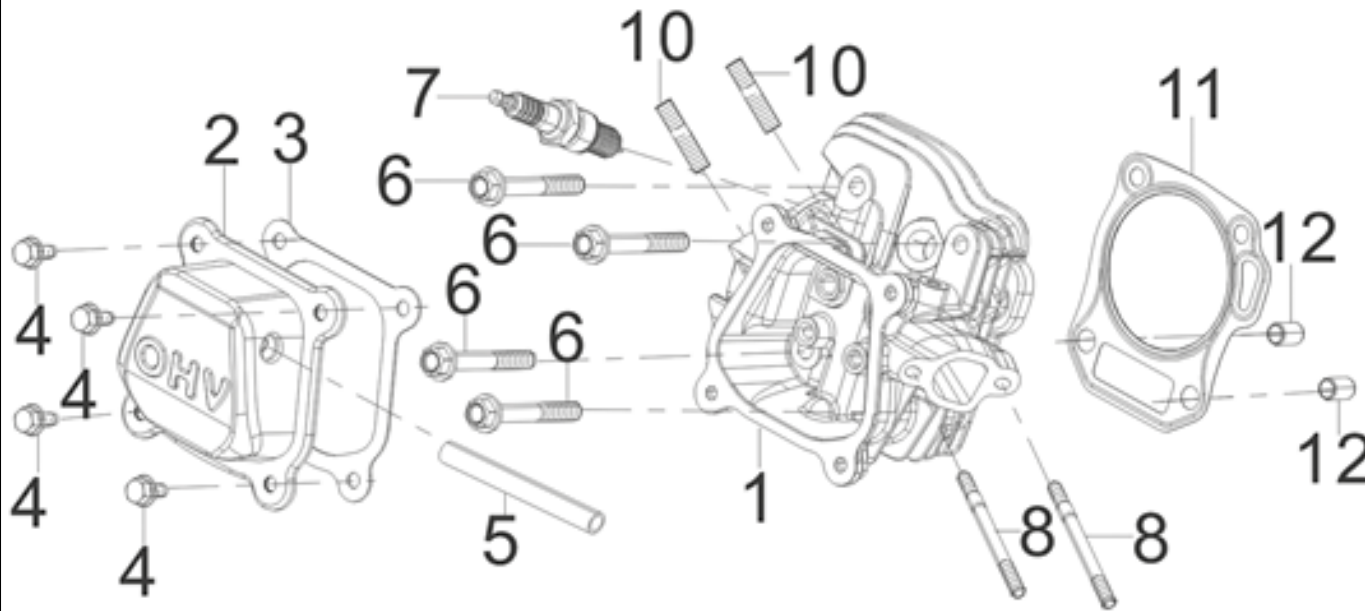


E01



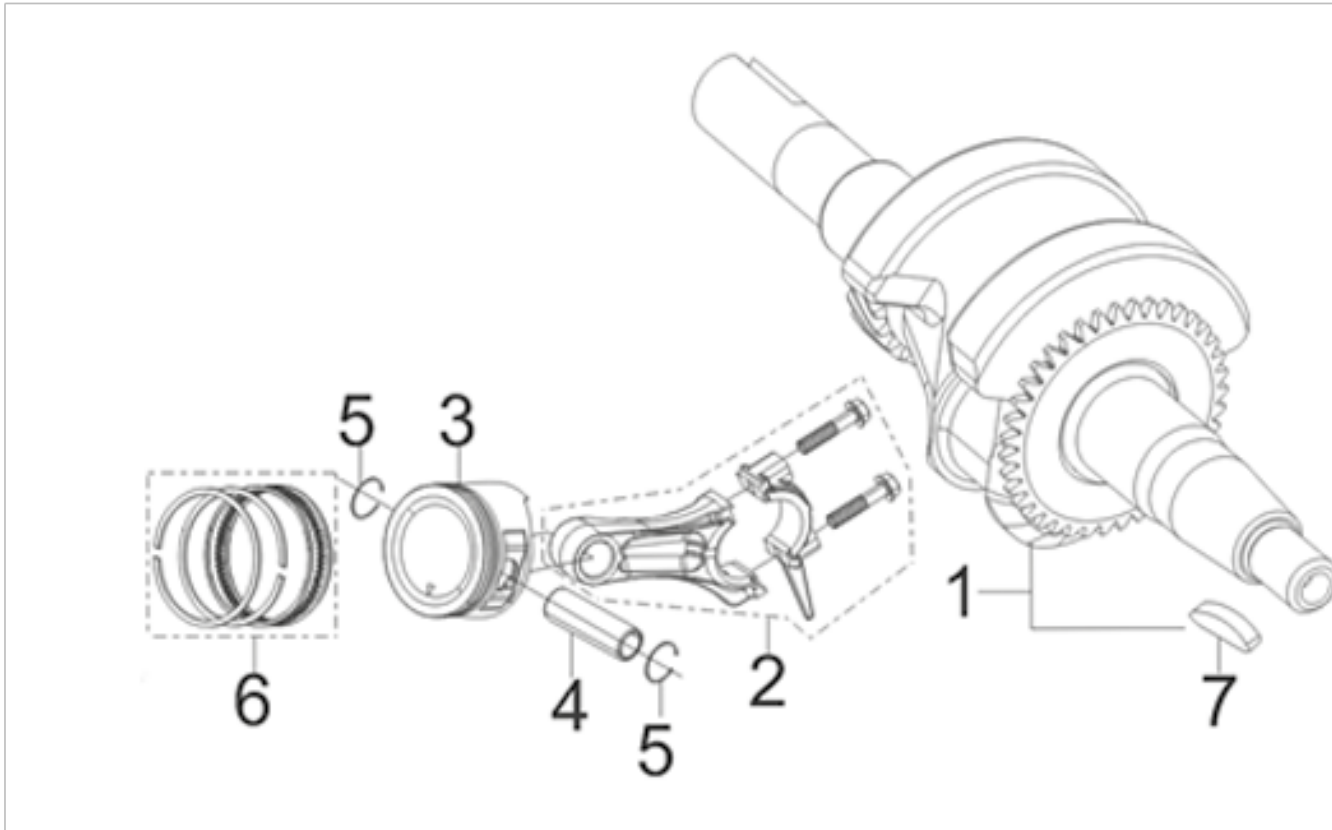
| POS. | CODE | DESCRIPTION | QTY |
|--------|--------|-------------------|-----|
| E01-1 | A09910 | CRANKCASE COVER | 1 |
| E01-2 | A08484 | BALL BEARING 6205 | 2 |
| E01-3 | A08483 | OIL SEAL 41-25-6 | 2 |
| E01-4 | A08468 | OIL DIPSTICK | 1 |
| E01-5 | A09912 | ENGINE OIL PLUG | 1 |
| E01-6 | A08939 | BOLT | 6 |
| E01-7 | A08289 | CRANKCASE GASKET | 1 |
| E01-8 | A08486 | POSITION PIN | 2 |
| E01-9 | A09907 | CRANKCASE | 1 |
| E01-10 | A08287 | DRAIN PLUG BOLT | 2 |
| E01-11 | A08482 | FLAT WASHER | 2 |
| E01-12 | A08481 | GOVERNOR ARM | 1 |
| E01-13 | A08610 | FLAT WASHER | 1 |
| E01-14 | A08951 | COTTER PIN | 1 |
| E01-15 | A09908 | GOVERNOR GEAR | 1 |

E03



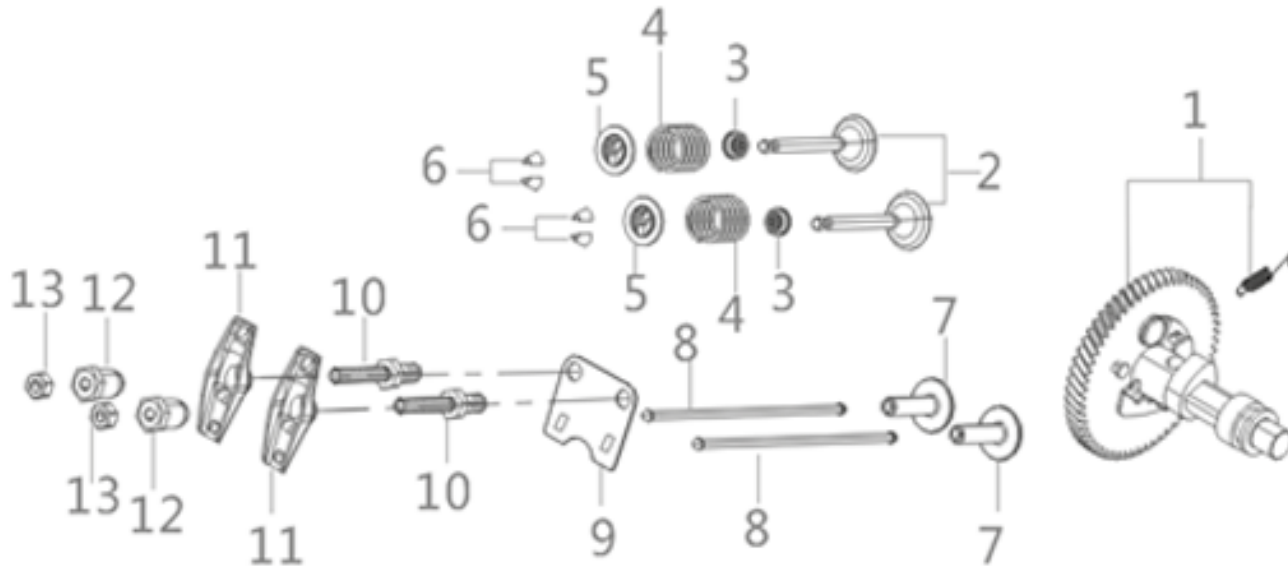
| POS. | CODE | DESCRIPTION | QTY |
|--------|--------|----------------------------|-----|
| E03-1 | A08290 | CYLINDER HEAD | 1 |
| E03-2 | A08291 | CYLINDER HEAD COVER | 1 |
| E03-3 | A08292 | CYLINDER HEAD COVER GASKET | 1 |
| E03-4 | A08968 | BOLT | 4 |
| E03-5 | A09913 | BREATHER TUBE | 1 |
| E03-6 | A08293 | CYLINDER HEAD BOLT | 4 |
| E03-7 | A08940 | SPARK PLUG | 1 |
| E03-8 | A11338 | STUD BOLT | 2 |
| E03-10 | A08489 | STUD BOLT | 2 |
| E03-11 | A08294 | CYLINDER HEAD GASKET | 1 |
| E03-12 | A08943 | POSITION PIN | 2 |

E04



| POS. | CODE | DESCRIPTION | QTY |
|-------|--------|---------------------|-----|
| E04-1 | A10241 | CRANKSHAFT ASSEMBLY | 1 |
| E04-2 | A08297 | CONNECTING ROD | 1 |
| E04-3 | A08295 | PISTON | 1 |
| E04-4 | A08296 | PISTON PIN | 1 |
| E04-5 | A08409 | PISTON PIN CLIP | 2 |
| E04-6 | A09917 | PISTON RING SET | 1 |
| E04-7 | A09916 | SHAFT KEY | 1 |

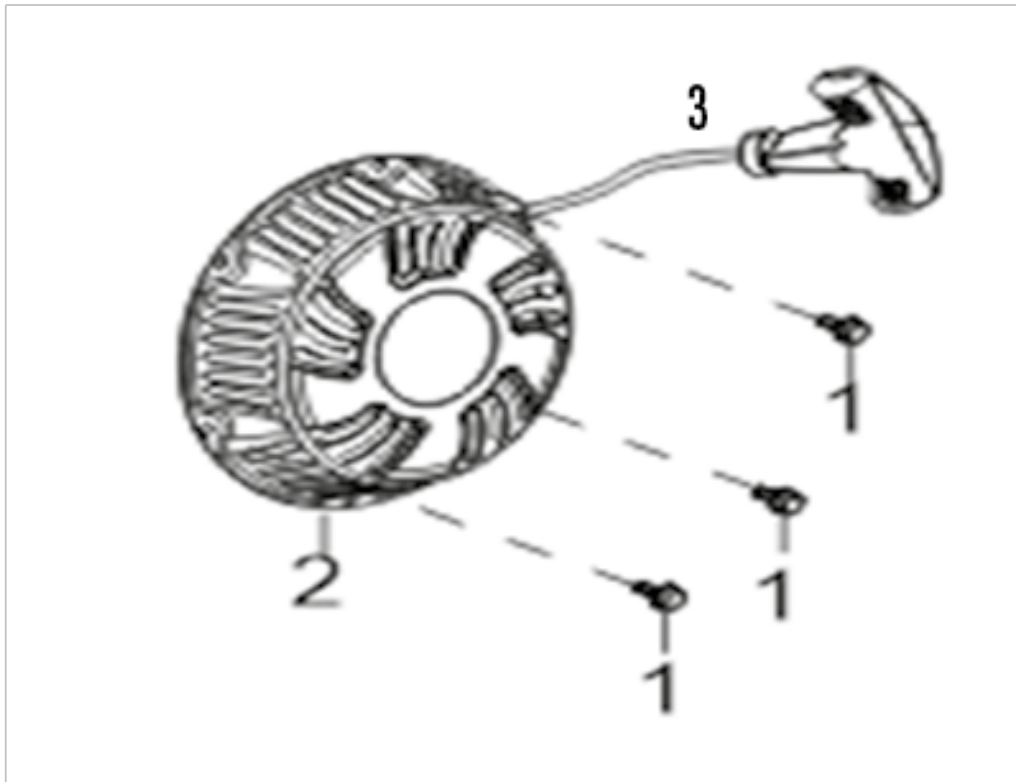
E06



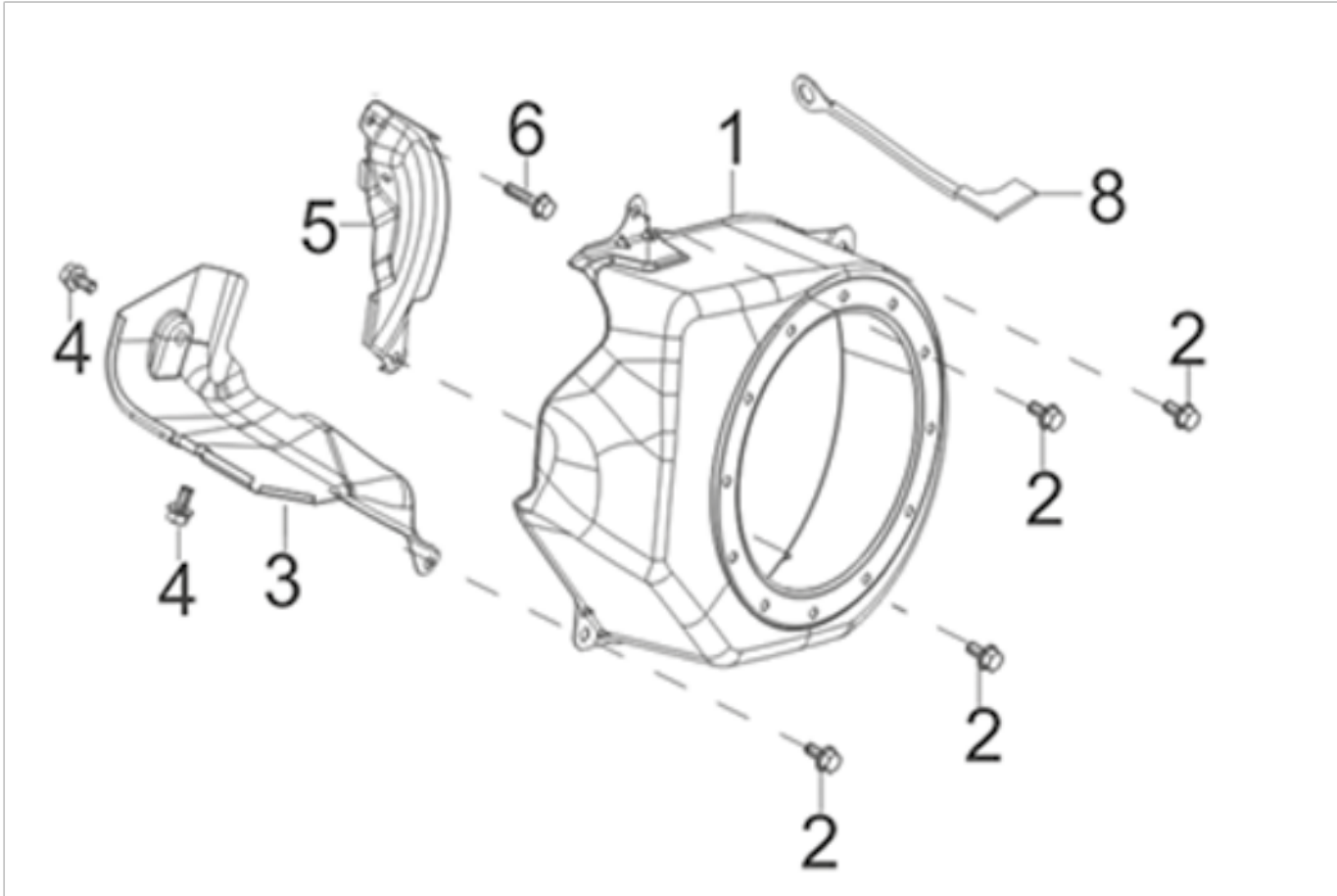
| POS. | CODE | DESCRIPTION | QTY |
|--------|--------|----------------------|-----|
| E06-1 | A08451 | CAMSHAFT ASSEMBLY | 1 |
| E06-2 | A08298 | VALVES SET | 1 |
| E06-3 | A08299 | SEAL GUIDE | 2 |
| E06-4 | A08300 | VALVE SPRING | 2 |
| E06-5 | A08301 | VALVE SPRING SEAT | 2 |
| E06-6 | A08302 | VALVE LOCK CLAMP | 2 |
| E06-7 | A08440 | VALVE TAPPET | 2 |
| E06-8 | A08441 | VALVE LIFTER | 2 |
| E06-9 | A08442 | LIFTER STOPPER PLATE | 1 |
| E06-10 | A08459 | ROCKSHAFT BOLT | 2 |
| E06-11 | A08460 | VALVE ROCKER | 2 |
| E06-12 | A08461 | VALVE ADJUSTING NUT | 2 |
| E06-13 | A08462 | VALVE LOCK NUT | 2 |

| POS. | CODE | DESCRIPTION | QTY |
|-------|--------|-------------------------|-----|
| E07-1 | A08613 | BOLT | 3 |
| E07-2 | A09918 | RECOIL STARTER ASSEMBLY | 1 |
| E07-3 | A10242 | STARTING HANDLE | 1 |

E07



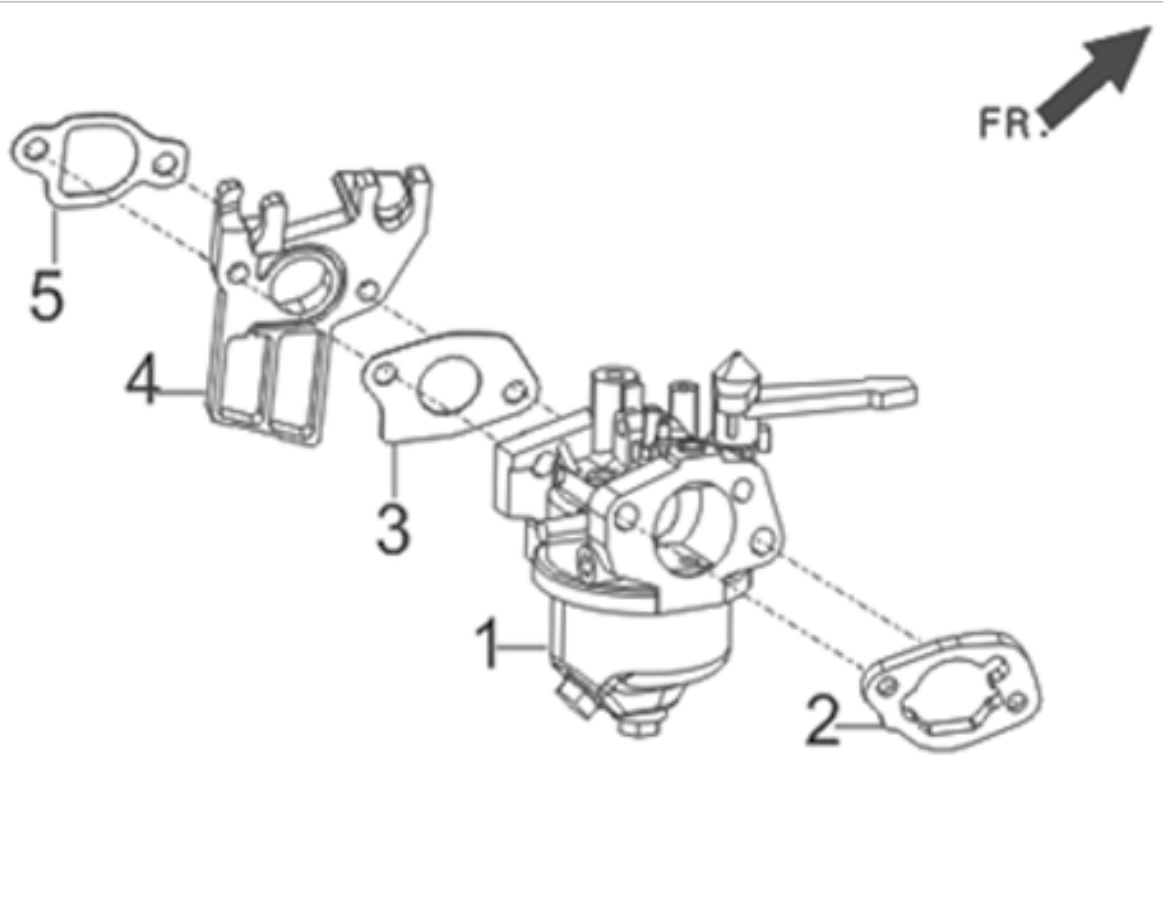
E08



| POS. | CODE | DESCRIPTION | QTY |
|-------|--------|-----------------------------------|-----|
| E08-1 | A09919 | SHROUD | 1 |
| E08-2 | A08968 | BOLT | 4 |
| E08-3 | A08491 | CYLINDER BODY SHROUD | 1 |
| E08-4 | A08494 | BOLT | 2 |
| E08-5 | A09921 | LOWER SHIELD | 1 |
| E08-6 | A08496 | BOLT | 1 |
| E08-8 | A09922 | STOP ENGINE SWITCH GROUNDING WIRE | 1 |

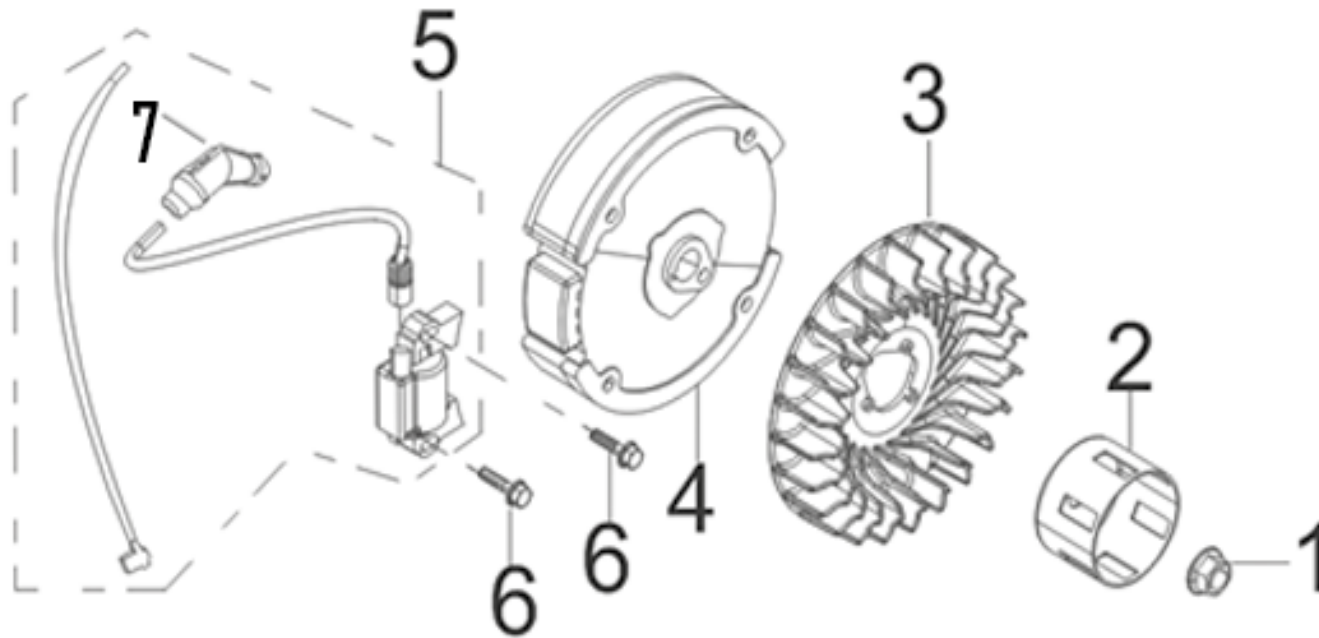
| POS. | CODE | DESCRIPTION | QTY |
|-------|--------|-----------------------------|-----|
| E09-1 | A09923 | CARBURETOR ASSEMBLY | 1 |
| E09-2 | A09924 | AIR CLEANER SEAL GASKET | 1 |
| E09-3 | A08469 | CARBURETOR SEAL GASKET | 1 |
| E09-4 | A08478 | CARBURETOR INSULATOR PLATE | 1 |
| E09-5 | A08470 | CARBURETOR INSULATOR GASKET | 1 |

E09

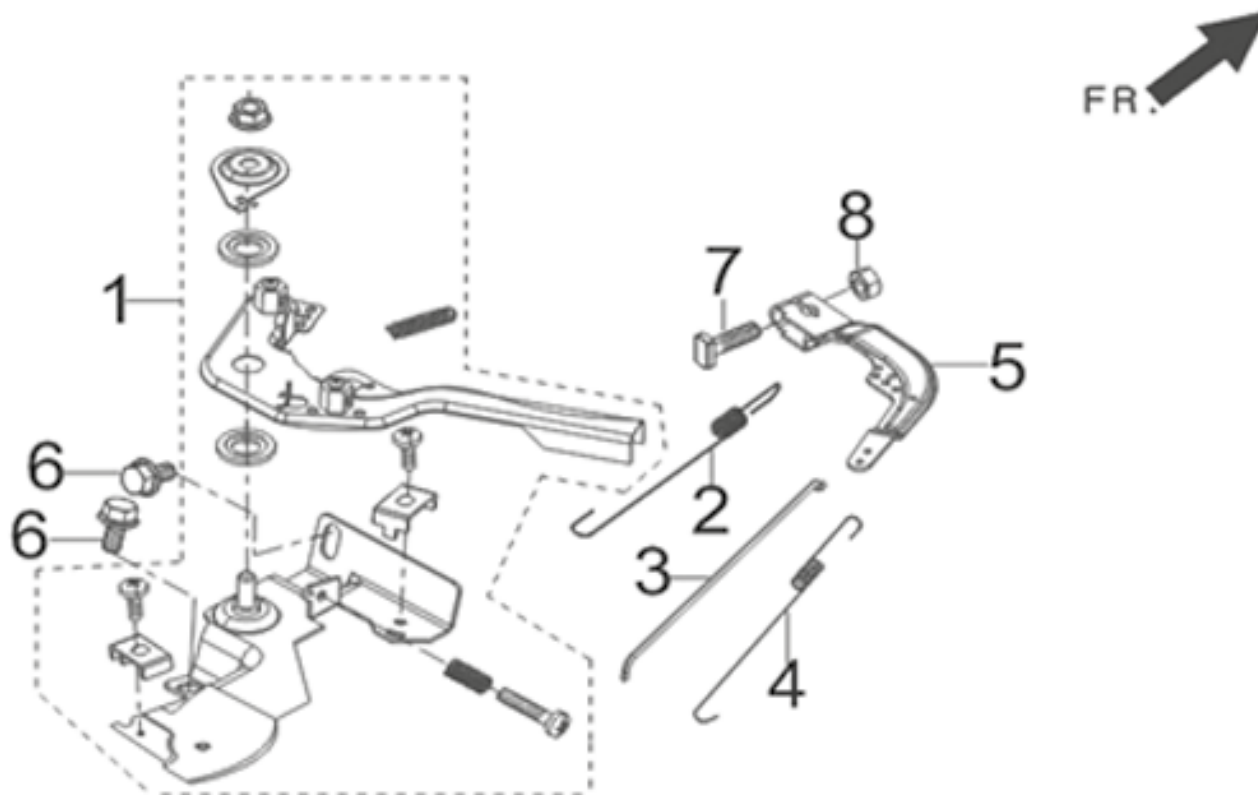


| POS. | CODE | DESCRIPTION | QTY |
|-------|--------|----------------|-----|
| E10-1 | A08420 | FLYWHEEL NUT | 1 |
| E10-2 | A08618 | STARTER PULLEY | 1 |
| E10-3 | A08619 | IMPELLER | 1 |
| E10-4 | A08429 | FLYWHEEL | 1 |
| E10-5 | A08501 | IGNITION COIL | 1 |
| E10-6 | A08502 | BOLT | 2 |
| E10-7 | A10243 | SPARK PLUG CAP | 1 |

E10



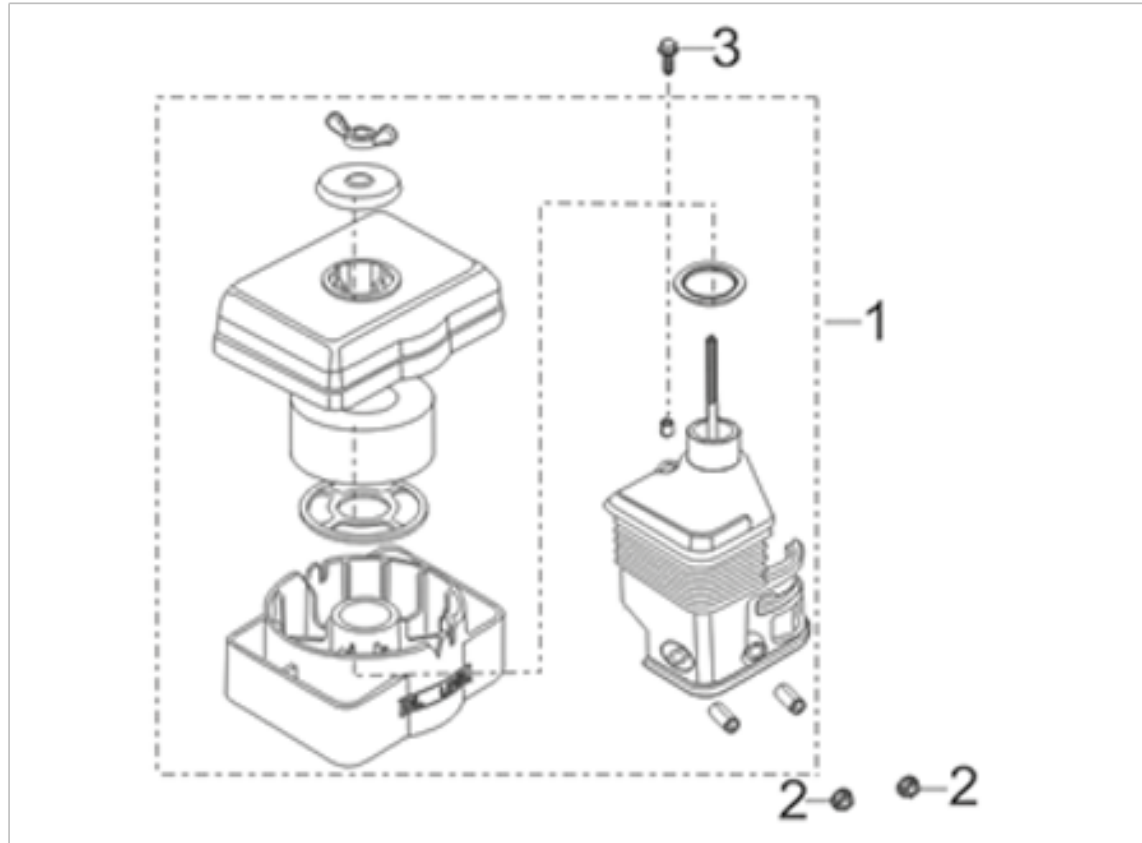
E11



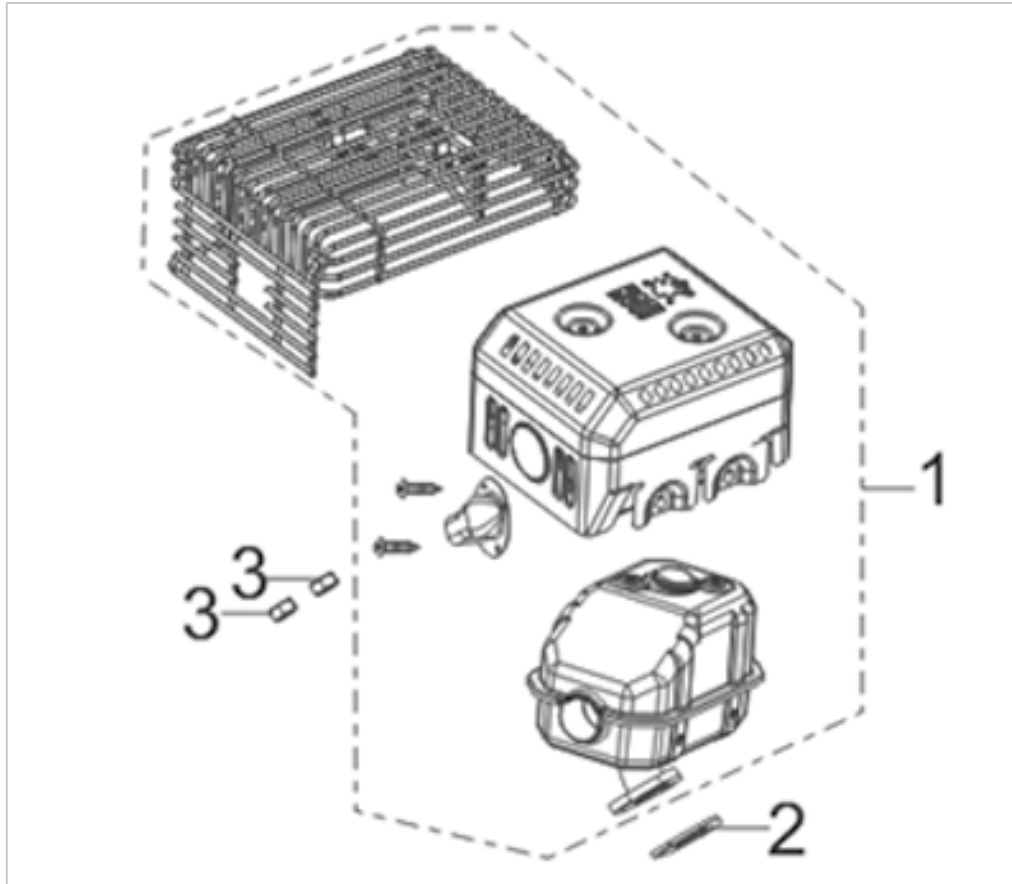
| POS. | CODE | DESCRIPTION | QTY |
|-------|--------|---------------------------------|-----|
| E11-1 | A09925 | THROTTLE CONTROL ASSEMBLY | 1 |
| E11-2 | A09926 | GOVERNOR SPRING | 1 |
| E11-3 | A09927 | GOVERNOR ROD | 1 |
| E11-4 | A08509 | THROTTLE VALVE RETURNING SPRING | 1 |
| E11-5 | A09928 | GOVERNOR BRACKET | 1 |
| E11-6 | A08494 | BOLT | 2 |
| E11-7 | A08505 | GOVERNOR SUPPORT BOLT | 1 |
| E11-8 | A08506 | HEXAGON NUT WITH FLANGE | 1 |

| POS. | CODE | DESCRIPTION | QTY |
|-------|--------|-------------------------|-----|
| F01-1 | A09929 | AIR CLEANER ASSEMBLY | 1 |
| F01-2 | A08506 | HEXAGON NUT WITH FLANGE | 2 |
| F01-3 | A08767 | BOLT | 1 |

F01

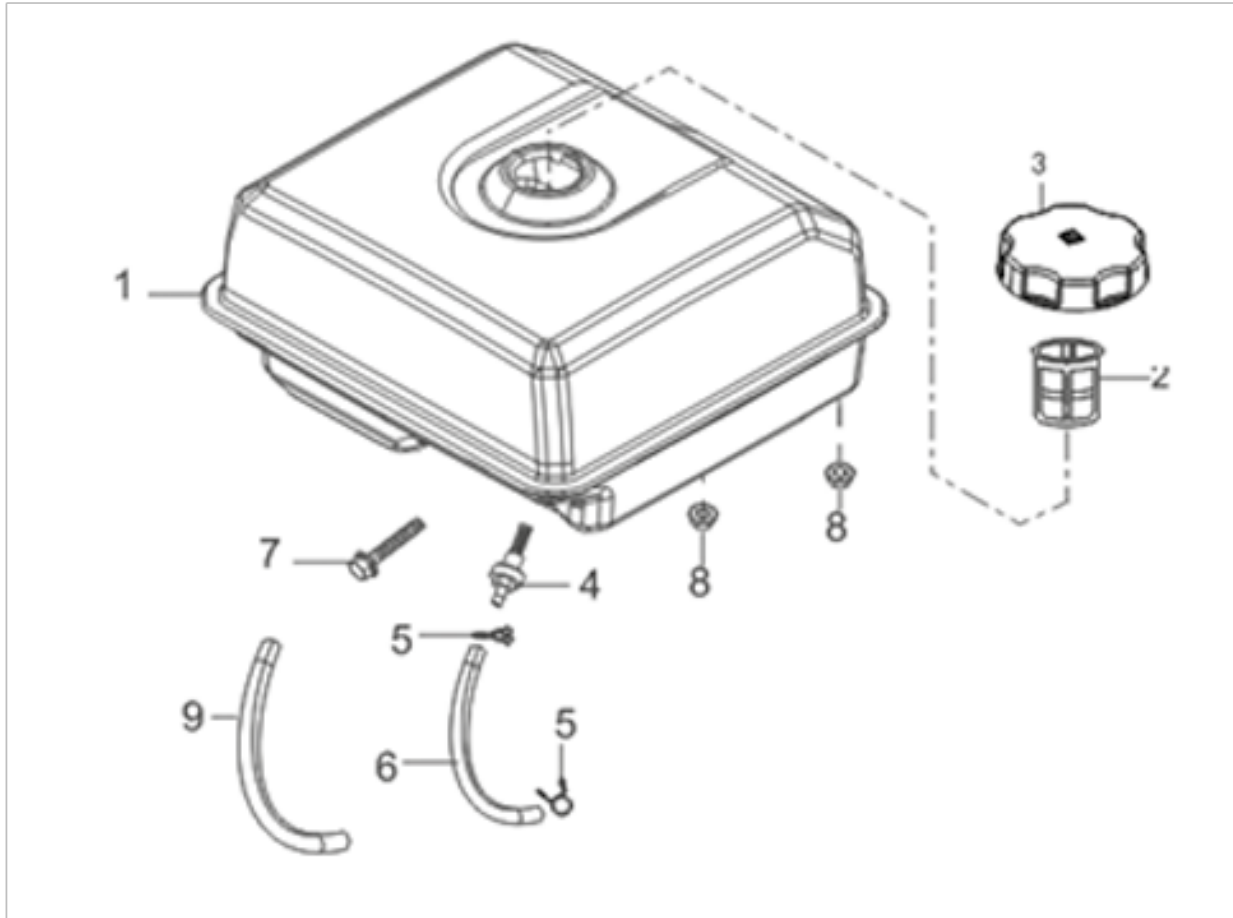


F02



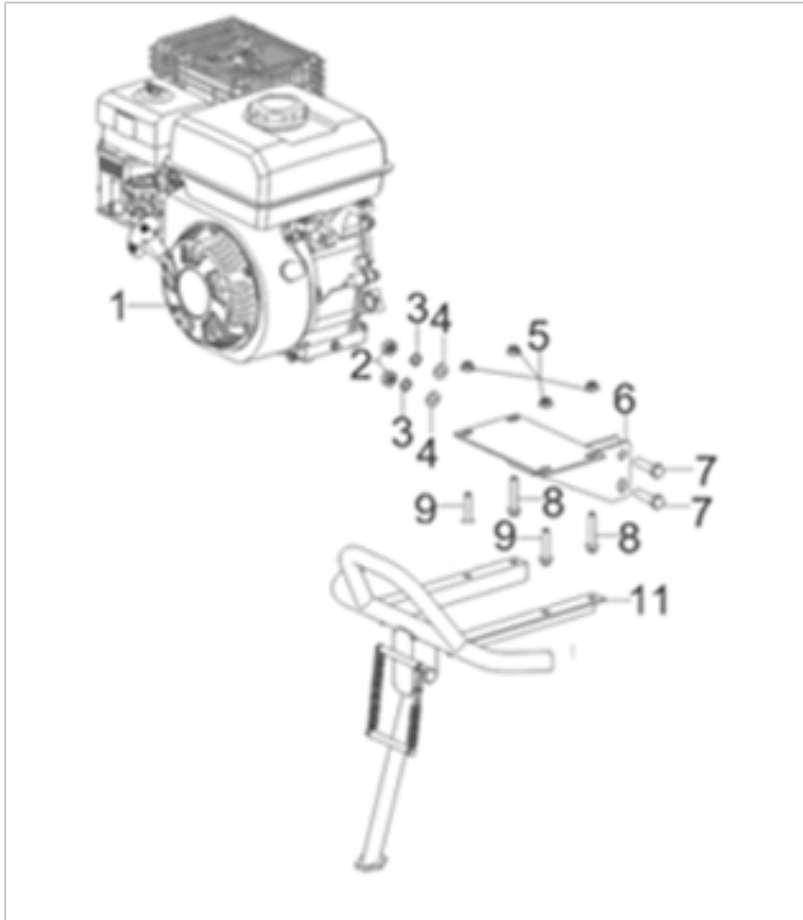
| POS. | CODE | DESCRIPTION | QTY |
|-------|--------|-----------------------|-----|
| F02-1 | A10244 | MUFFLER ASSEMBLY | 1 |
| F02-2 | A08622 | EXHAUST OUTLET GASKET | 1 |
| F02-3 | A08747 | HEXAGON NUT | 2 |

F03



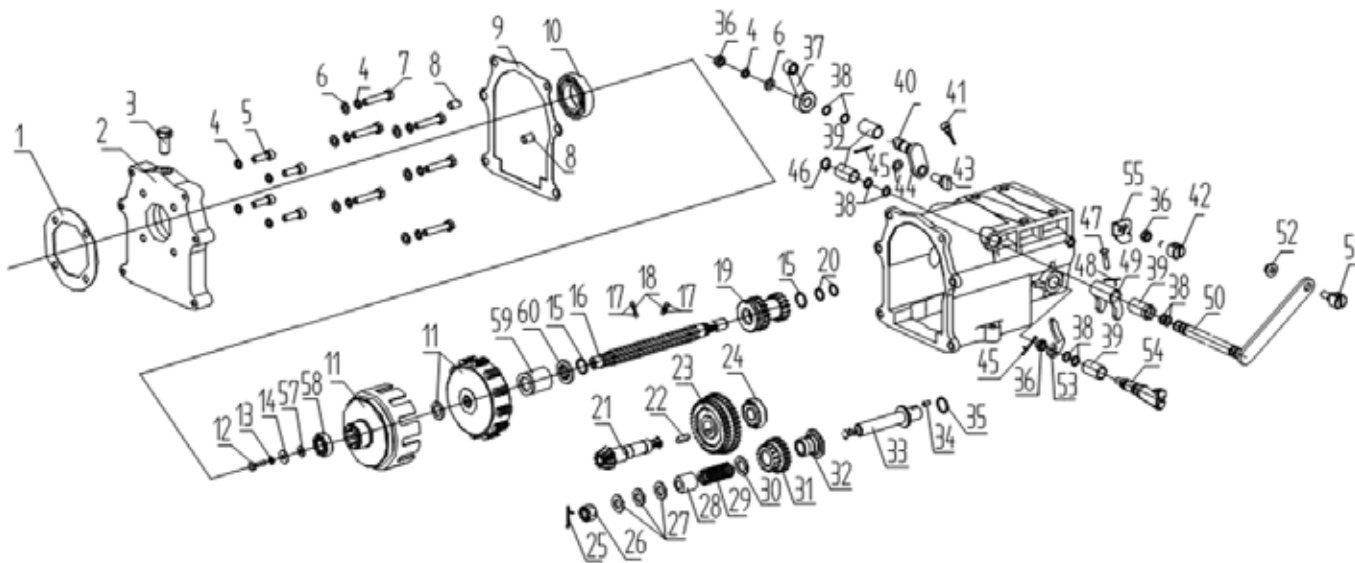
| POS. | CODE | DESCRIPTION | QTY |
|-------|--------|-------------------------|-----|
| F03-1 | A09931 | FUEL TANK | 1 |
| F03-2 | A09932 | FUEL STRAINER | 1 |
| F03-3 | A09933 | FUEL TANK COVER | 1 |
| F03-4 | A09934 | FUEL TANK OIL OUTLET | 1 |
| F03-5 | A08816 | COLLAR | 2 |
| F03-6 | A09935 | FUEL TUBE | 1 |
| F03-7 | A08830 | BOLT | 1 |
| F03-8 | A08506 | HEXAGON NUT WITH FLANGE | 2 |
| F03-9 | A09936 | RUBBER JACKET | 1 |

W01



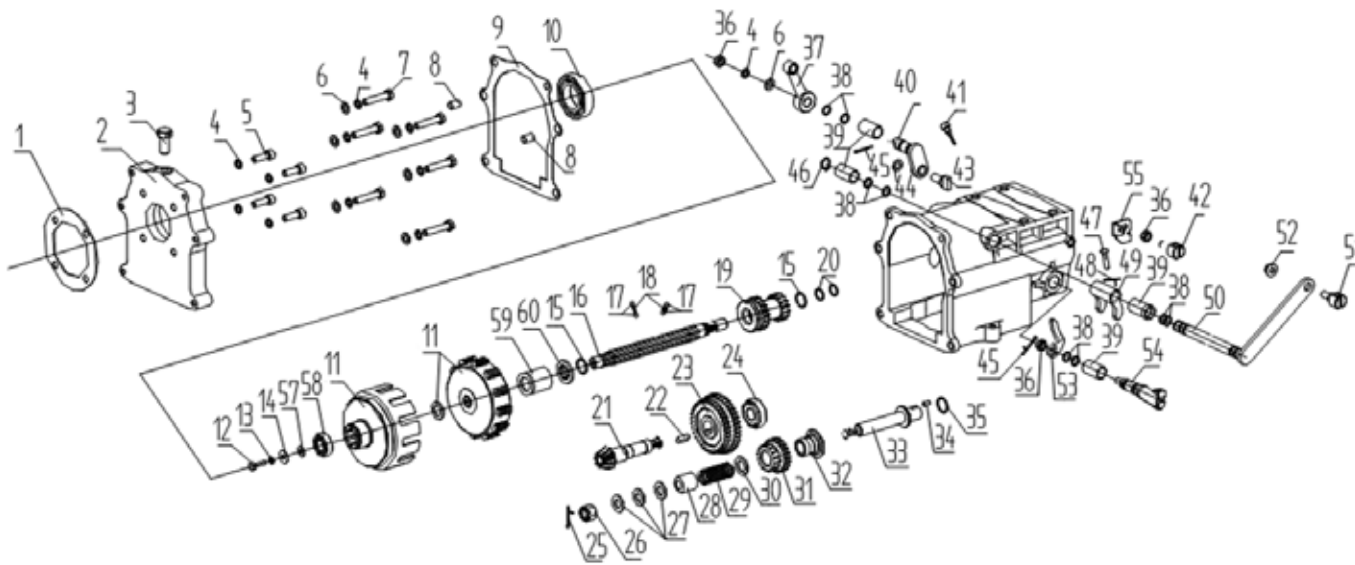
| POS. | CODE | DESCRIPTION | QTY |
|--------|--------|-------------------------|-----|
| W01-1 | A10245 | ENGINE | 1 |
| W01-2 | A05750 | HEXAGON NUT | 2 |
| W01-3 | A09938 | FLAT WASHER | 2 |
| W01-4 | A05768 | FLAT WASHER | 2 |
| W01-5 | A04793 | HEXAGON NUT WITH FLANGE | 4 |
| W01-6 | A10247 | ENGINE CONNETING SEAT | 1 |
| W01-7 | A11350 | HEXAGONAL HEAD BOLT | 2 |
| W01-8 | A11351 | BOLT | 2 |
| W01-9 | A04794 | BOLT | 2 |
| W01-11 | A10246 | GUARD | 1 |

W02



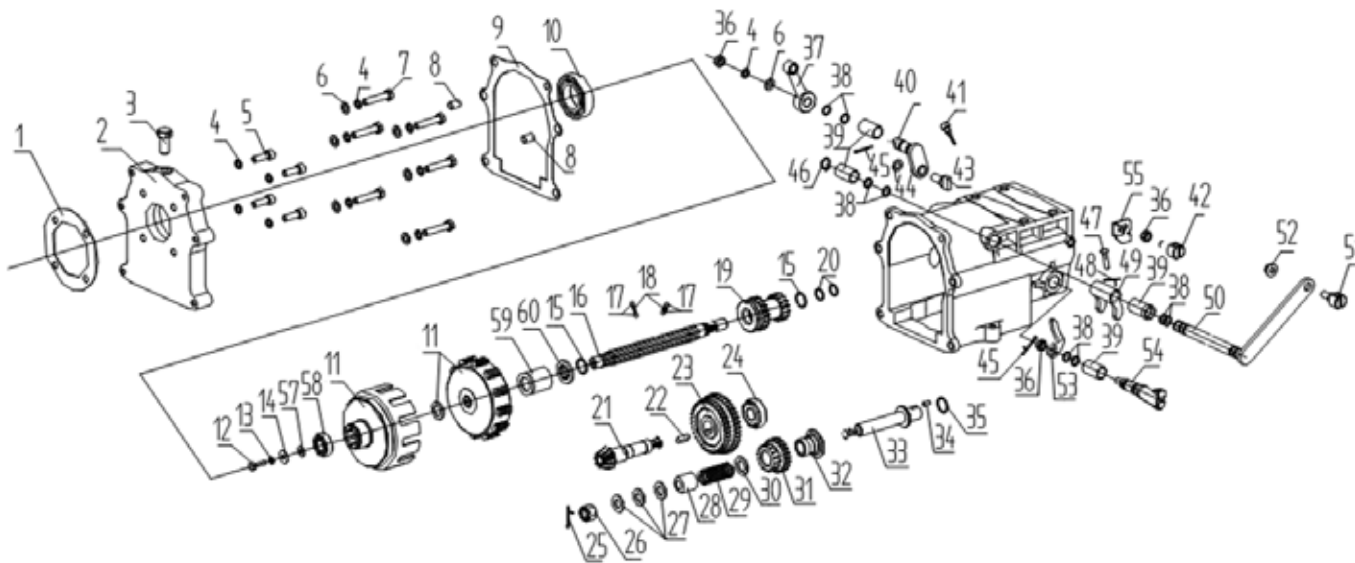
| POS. | CODE | DESCRIPTION | QTY |
|--------|--------|--------------------------|-----|
| W02-1 | A10249 | ENGINE SEAL GASKET | 1 |
| W02-2 | A10260 | FLANGE | 1 |
| W02-3 | A10271 | PRESSURE RELIEF BOLT | 1 |
| W02-4 | A10282 | FLAT WASHER | 10 |
| W02-5 | A10678 | SCREW | 3 |
| W02-6 | A09967 | FLAT WASHER | 7 |
| W02-7 | A11340 | HEXAGONAL HEAD BOLT | 6 |
| W02-8 | A08943 | POSITION PIN | 2 |
| W02-9 | A10302 | FLANGE SEAL GASKET | 1 |
| W02-10 | A11349 | BALL BEARING 6007 | 1 |
| W02-11 | A10251 | CLUTCH | 1 |
| W02-12 | A09914 | HEXAGONAL HEAD BOLT | 1 |
| W02-13 | A10253 | FLAT WASHER | 1 |
| W02-14 | A10254 | GASKET | 1 |
| W02-15 | A10255 | STILL RING | 1 |
| W02-16 | A10256 | MAIN AXLE | 1 |
| W02-17 | A10257 | STEEL BALL | 2 |
| W02-18 | A10258 | STOPPER SPRING | 2 |
| W02-19 | A10259 | GEAR, DUPLICATE | 1 |
| W02-20 | A10261 | SEAL RING | 2 |
| W02-21 | A10262 | COUNTERSHAFT | 1 |
| W02-22 | A10263 | FLAT KEY | 1 |
| W02-23 | A10264 | DUPLICATE GEAR | 1 |
| W02-24 | A10265 | TAPERED ROLLER BEARINGS | 1 |
| W02-25 | A10339 | COTTER PIN | 1 |
| W02-26 | A10340 | HEXAGON SLOTTED NUT | 1 |
| W02-27 | A10268 | FLAT WASHER | 2 |
| W02-28 | A10269 | REVERSE GEAR STOP COLLAR | 1 |
| W02-29 | A10270 | REVERSE GEAR SPRING | 1 |

W02



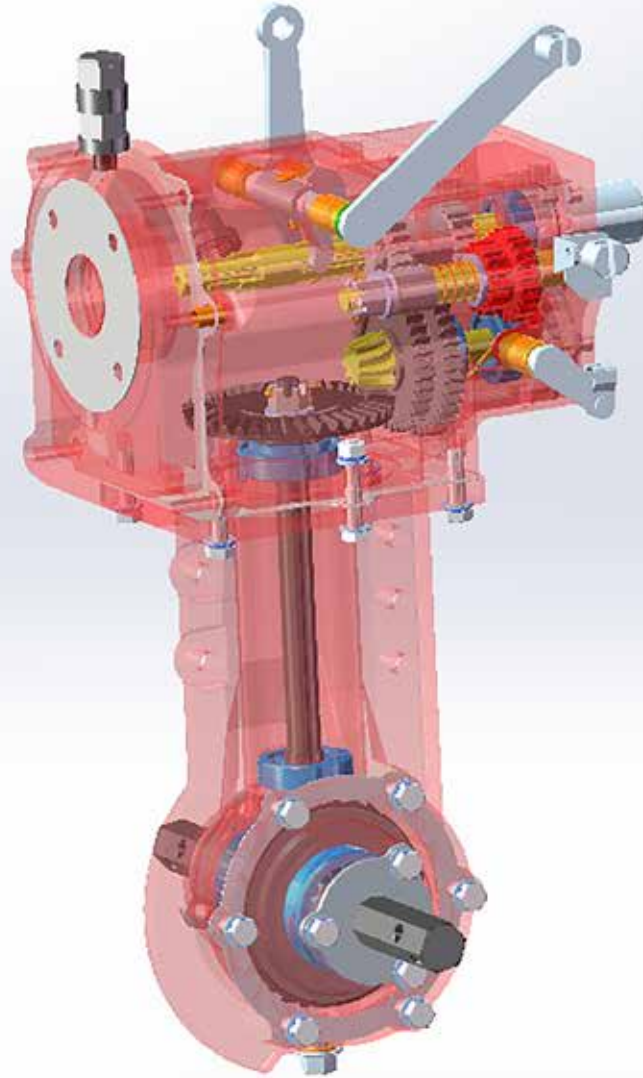
| POS. | CODE | DESCRIPTION | QTY |
|--------|--------|-------------------------|-----|
| W02-30 | A10272 | FLAT WASHER | 1 |
| W02-31 | A10273 | DUPLICATE GEAR | 1 |
| W02-32 | A10274 | REVERSE GEAR COLLAR | 1 |
| W02-33 | A10275 | REVERSE GEAR SHAFT | 1 |
| W02-34 | A10276 | PIN | 1 |
| W02-35 | A10277 | SEAL RING | 1 |
| W02-36 | A10278 | HEXAGON NUT | 1 |
| W02-37 | A10279 | SHIFT ARM | 1 |
| W02-38 | A10280 | SEAL RING | 6 |
| W02-39 | A10281 | BUSH | 2 |
| W02-40 | A10283 | SHIFTS FORK | 1 |
| W02-41 | A10284 | OIL DIPSTICK | 1 |
| W02-42 | A10285 | INHAUL CABLE BASE | 1 |
| W02-43 | A10286 | SHIFTS FORK | 1 |
| W02-44 | A05768 | FLAT WASHER | 1 |
| W02-45 | A10287 | COTTER PIN | 2 |
| W02-46 | A10288 | CIRCLIP FOR SHAFT | 1 |
| W02-47 | A10289 | PIN SHAFT | 1 |
| W02-48 | A09956 | COTTER PIN | 1 |
| W02-49 | A10290 | SHIFTS FORK | 1 |
| W02-50 | A10292 | SHIFTS FORK | 1 |
| W02-51 | A10293 | INHAUL CABLE BASE | 1 |
| W02-52 | A10294 | HEXAGON NUT WITH FLANGE | 1 |
| W02-53 | A10295 | SHIFTS FORK | 1 |
| W02-54 | A10296 | SHIFTS FORK | 1 |
| W02-55 | A10297 | INHAUL CABLE BASE | 1 |
| W02-57 | A10298 | FLAT WASHER | 1 |
| W02-58 | A08549 | BALL BEARING 6202 | 1 |

W02



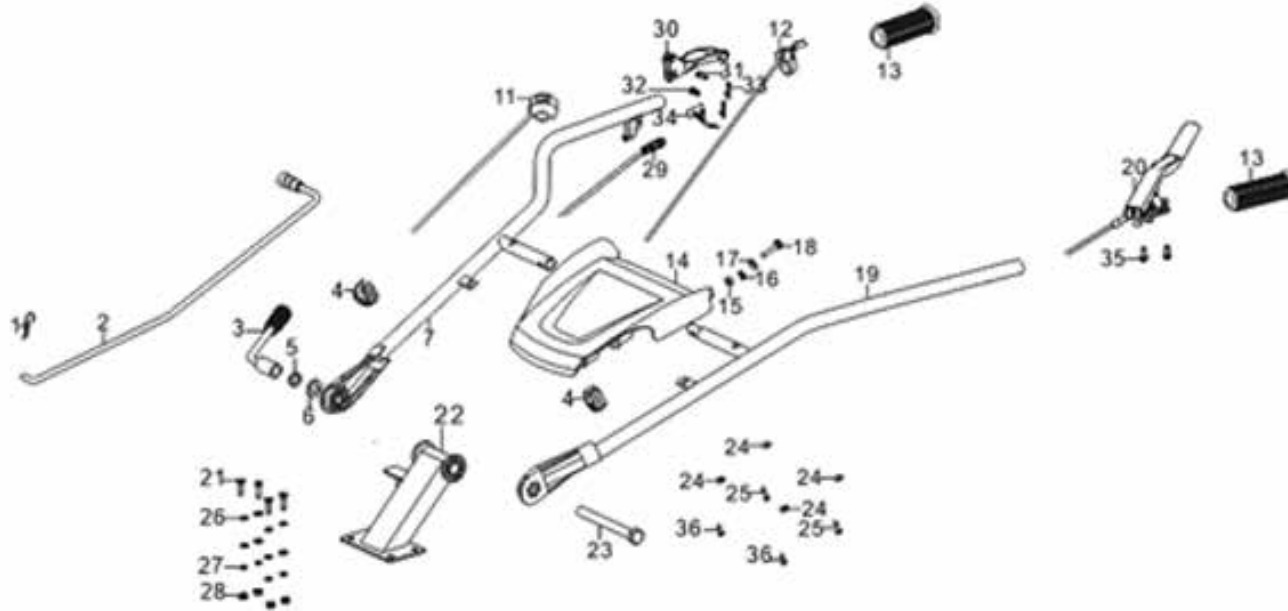
| POS. | CODE | DESCRIPTION | QTY |
|--------|--------|-------------|-----|
| W02-59 | A10299 | BUSH | 1 |
| W02-60 | A10300 | BUSH | 1 |

F19



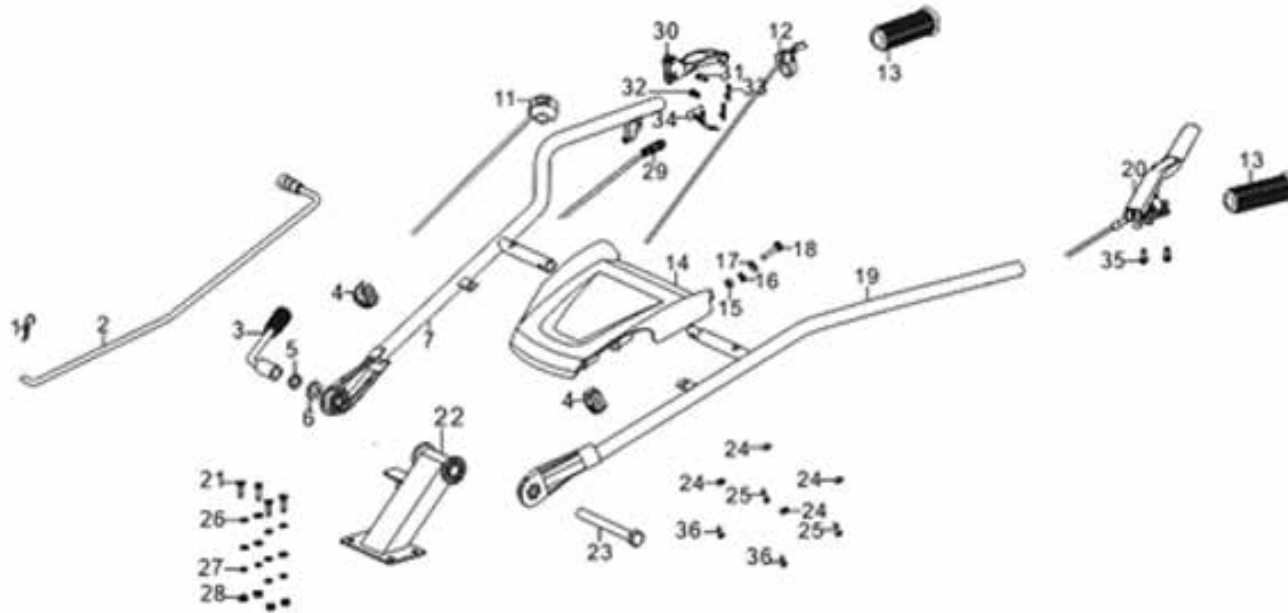
| POS. | CODE | DESCRIPTION | QTY |
|-------|--------|---------------------------|-----|
| F19-1 | A10666 | TRANSMISSION BOX ASSEMBLY | 1 |

W03



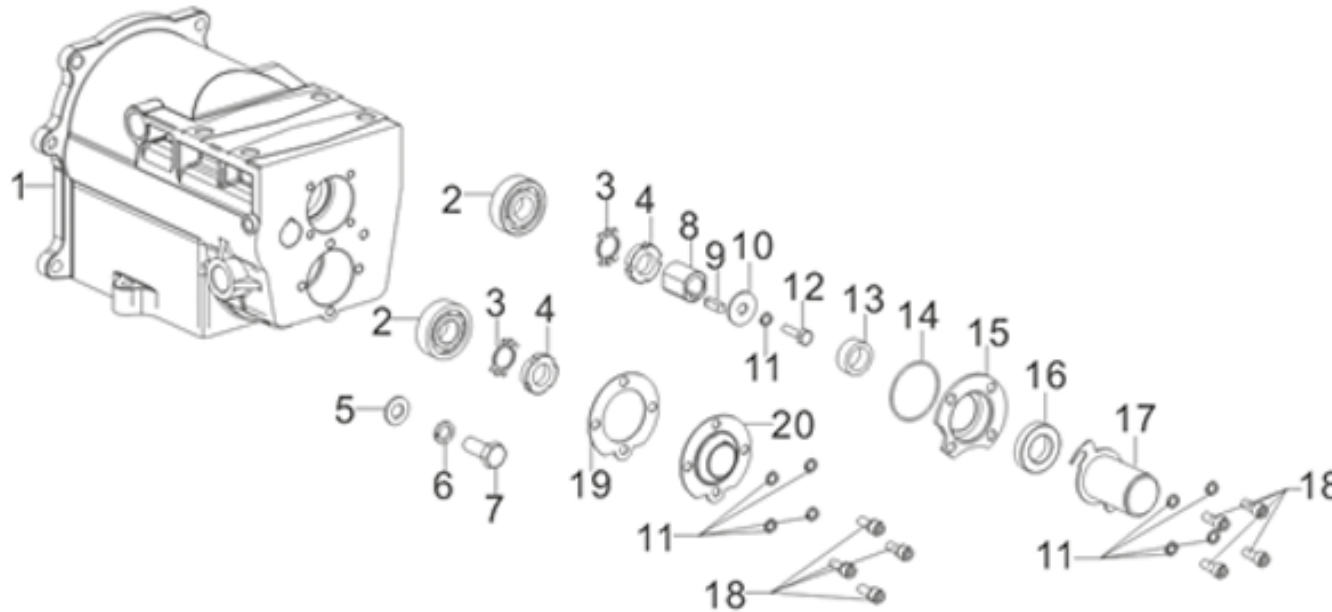
| POS. | CODE | DESCRIPTION | QTY |
|--------|--------|--------------------------------|-----|
| W03-1 | A05748 | PIN | 1 |
| W03-2 | A10306 | GEAR LEVER | 1 |
| W03-3 | A09965 | LOCK HANDLE | 1 |
| W03-4 | A09964 | WIRE CLIP | 2 |
| W03-5 | A09966 | FLAT WASHER | 1 |
| W03-6 | A10646 | FLAT WASHER | 1 |
| W03-7 | A10314 | HANDLE TUBE ASSY | 1 |
| W03-11 | A10303 | STOP ENGINE SWITCH | 1 |
| W03-12 | A10304 | THROTTLE COCK | 1 |
| W03-13 | A09942 | HANDLE RUBBER SLEEVE | 2 |
| W03-14 | A09943 | PANEL | 1 |
| W03-15 | A08747 | LOCK NUT | 1 |
| W03-16 | A09944 | SPRING WASHER | 1 |
| W03-17 | A09945 | FLAT WASHER | 1 |
| W03-18 | A10680 | HEXAGONAL HEAD BOLT | 1 |
| W03-19 | A10305 | HANDLE TUBE | 1 |
| W03-20 | A10307 | FORWARD CLUTCH HANDLE ASSEMBLY | 1 |
| W03-21 | A05749 | HEXAGONAL HEAD BOLT | 4 |
| W03-22 | A10308 | ARMREST ASSEMBLY | 1 |
| W03-23 | A11344 | HEXAGONAL HEAD BOLT | 1 |
| W03-24 | A13105 | FLAT WASHER | 4 |
| W03-25 | A11345 | SCREW | 4 |
| W03-26 | A05768 | FLAT WASHER | 4 |
| W03-27 | A09938 | FLAT WASHER | 4 |
| W03-28 | A05750 | HEXAGON NUT | 4 |
| W03-29 | A10309 | REVERSE GEAR CABLE | 1 |
| W03-30 | A10310 | CLUTCH HANDLE | 1 |
| W03-31 | A10311 | PIN SHAFT | 1 |

W03



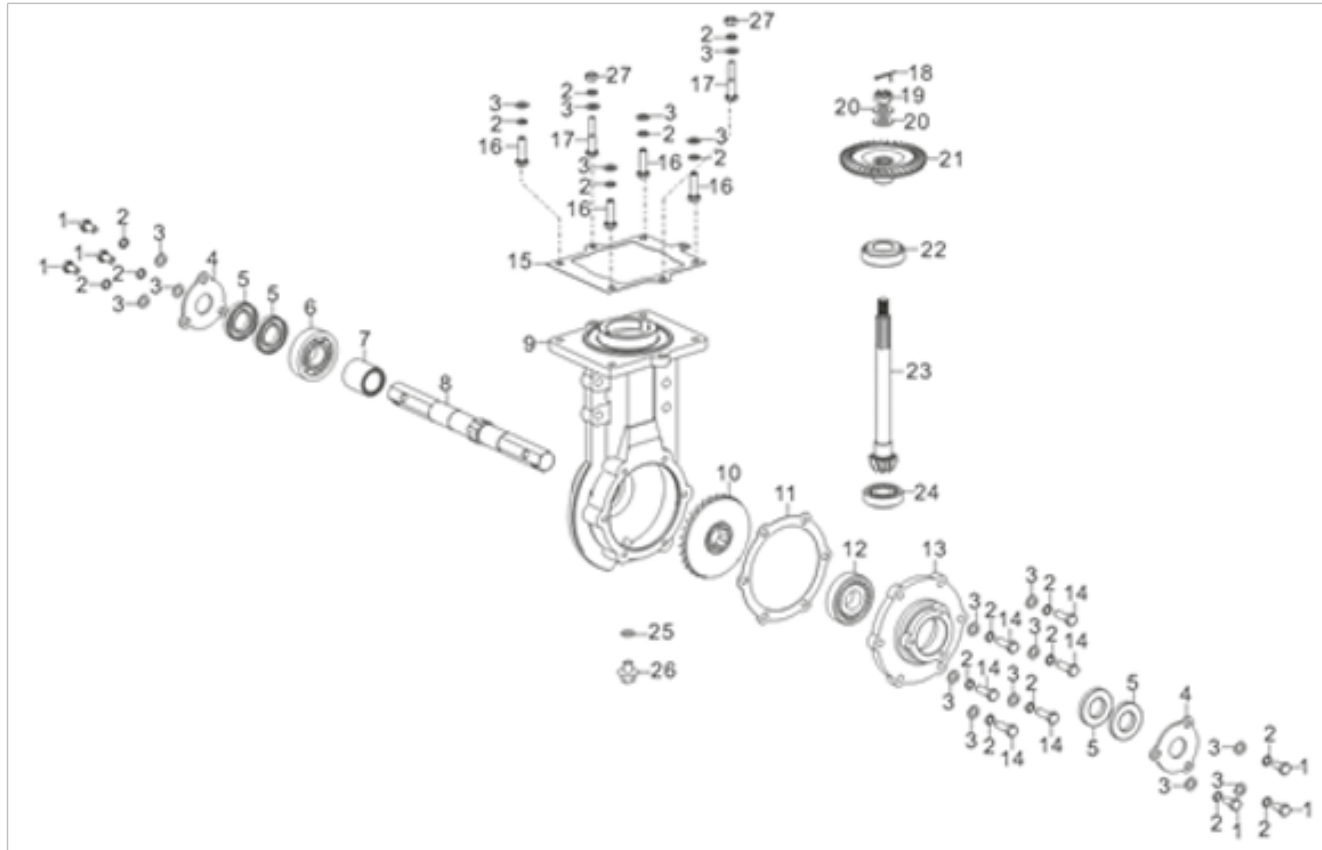
| POS. | CODE | DESCRIPTION | QTY |
|--------|--------|---------------------------|-----|
| W03-32 | A10289 | PIN SHAFT | 1 |
| W03-33 | A10287 | COTTER PIN | 1 |
| W03-34 | A10312 | REVERSE GEAR STOPPER SEAT | 1 |
| W03-35 | A10313 | BOLT | 2 |
| W03-36 | A10681 | SCREW | 2 |

W04



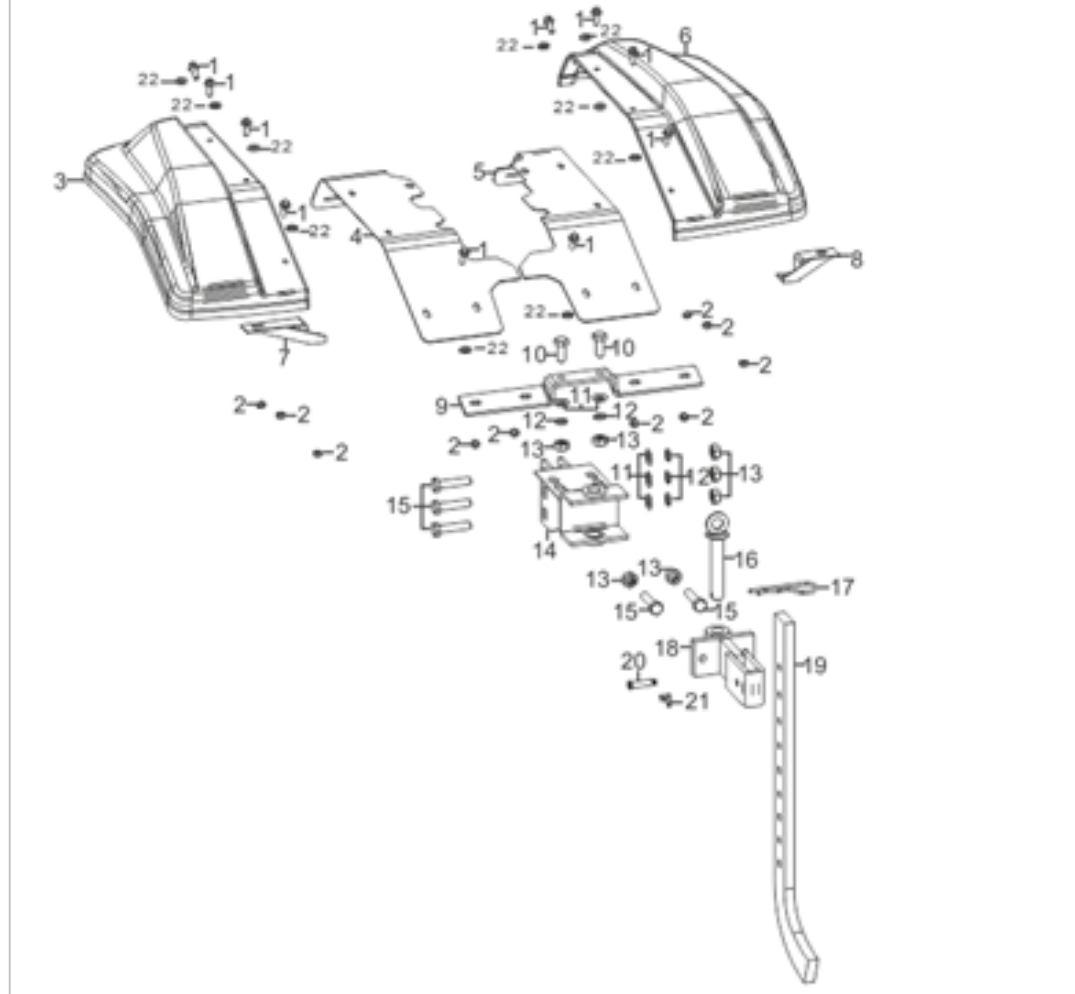
| POS. | CODE | DESCRIPTION | QTY |
|--------|--------|---------------------------------------|-----|
| W04-1 | A10667 | GEARBOX | 1 |
| W04-2 | A09989 | BALL BEARING | 2 |
| W04-3 | A10323 | LOCK WASHER | 2 |
| W04-4 | A10324 | ROUND NUT | 2 |
| W04-5 | A10325 | FLAT WASHER | 1 |
| W04-6 | A10326 | SPRING WASHER | 1 |
| W04-7 | A10327 | HEXAGONAL HEAD BOLT | 1 |
| W04-8 | A10328 | FLAT KEY SET | 1 |
| W04-9 | A12702 | FLAT KEY | 1 |
| W04-10 | A10254 | GASKET | 1 |
| W04-11 | A10253 | FLAT WASHER | 9 |
| W04-12 | A09914 | HEXAGONAL HEAD BOLT | 1 |
| W04-13 | A10315 | BUSH | 1 |
| W04-14 | A10316 | SEAL RING | 1 |
| W04-15 | A10317 | MAIN SHAFT GLAND | 1 |
| W04-16 | A10318 | OIL SEAL 20-35-7 | 1 |
| W04-17 | A10319 | MAIN SHAFT SAFETY GUARD | 1 |
| W04-18 | A10320 | SCREW | 8 |
| W04-19 | A10321 | COUNTERSHAFT END COVER SEALING GASKET | 1 |
| W04-20 | A10322 | COUNTERSHAFT END COVER | 1 |

W05



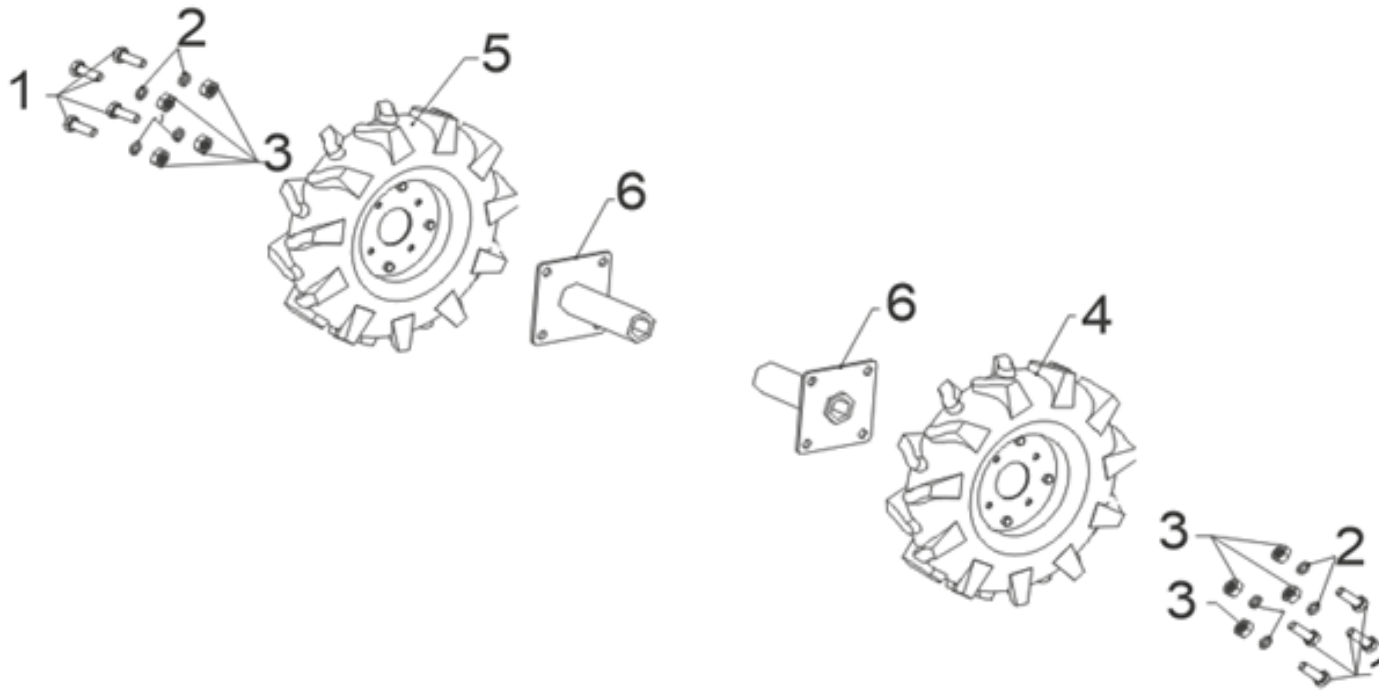
| POS. | CODE | DESCRIPTION | QTY |
|--------|--------|---|-----|
| W05-1 | A10621 | HEXAGONAL HEAD BOLT | 6 |
| W05-2 | A10282 | FLAT WASHER | 17 |
| W05-3 | A09667 | FLAT WASHER | 17 |
| W05-4 | A10348 | OUTPUT SHAFT DUST-PROOF COVER | 2 |
| W05-5 | A10349 | OIL SEAL 25-47-7 | 4 |
| W05-6 | A10350 | BALL BEARING | 1 |
| W05-7 | A10351 | BUSH | 1 |
| W05-8 | A10352 | OUTPUT SHAFT | 1 |
| W05-9 | A10353 | TRANSPORTATION BOX BODY | 1 |
| W05-10 | A10331 | TRANSPORTATION BEVEL GEAR | 1 |
| W05-11 | A10332 | TRANSPORTATION BOX END COVER SEALING GASKET | 1 |
| W05-12 | A10333 | TAPERED ROLLER BEARINGS | 1 |
| W05-13 | A10334 | TRANSPORTATION BOX END COVER | 1 |
| W05-14 | A12643 | HEXAGONAL HEAD BOLT | 4 |
| W05-15 | A10336 | SEAL GASKET | 1 |
| W05-16 | A10337 | HEXAGONAL HEAD BOLT | 4 |
| W05-17 | A10338 | HEXAGONAL HEAD BOLT | 1 |
| W05-18 | A10339 | COTTER PIN | 1 |
| W05-19 | A10340 | HEXAGON SLOTTED NUT | 1 |
| W05-20 | A10342 | FLAT WASHER | 2 |
| W05-21 | A10343 | DRIVEN BEVEL GEAR | 1 |
| W05-22 | A10344 | TAPERED ROLLER BEARINGS | 1 |
| W05-23 | A10345 | TRANSPORTATION BEVEL GEAR SHAFT | 1 |
| W05-24 | A10346 | BALL BEARING | 1 |
| W05-25 | A10347 | SEAL RING | 1 |
| W05-26 | A09987 | DRAIN PLUG BOLT | 1 |

W06



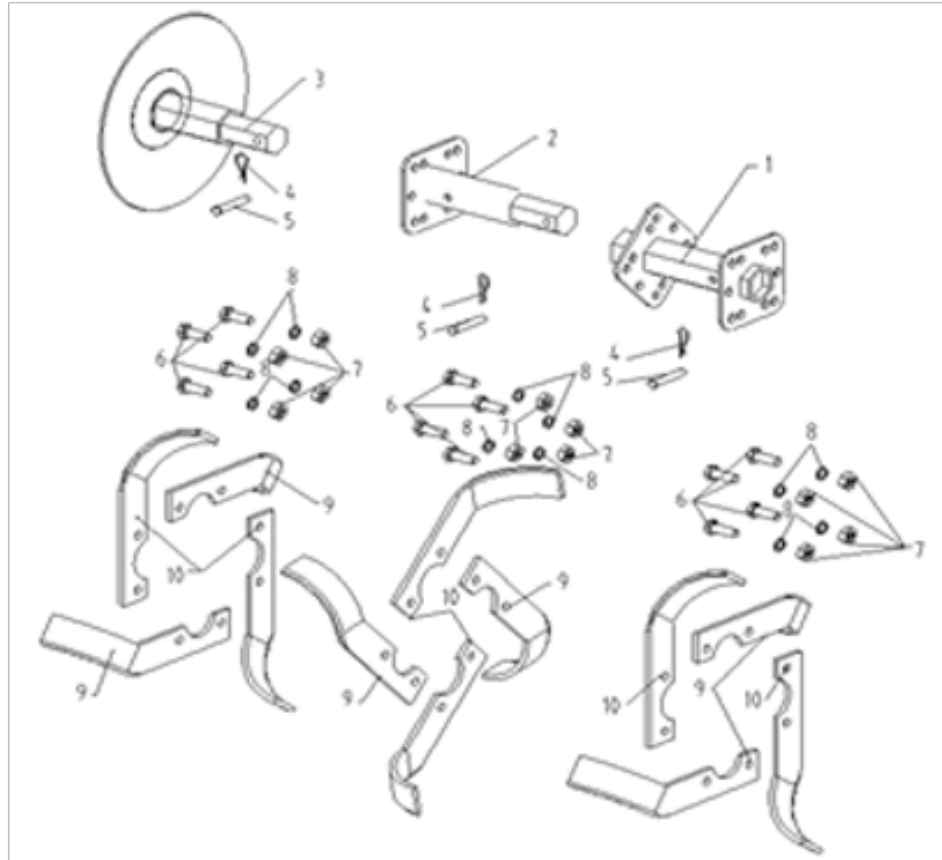
| POS. | CODE | DESCRIPTION | QTY |
|--------|--------|----------------------|-----|
| W06-1 | A04813 | BOLT | 8 |
| W06-2 | A05751 | BOLT | 10 |
| W06-3 | A10359 | FENDER | 1 |
| W06-4 | A10360 | FENDER | 1 |
| W06-5 | A10361 | FENDER | 1 |
| W06-6 | A10362 | FENDER | 1 |
| W06-7 | A10363 | FRONT FENDER SUPPORT | 1 |
| W06-8 | A10364 | FRONT FENDER SUPPORT | 1 |
| W06-9 | A10365 | REAR FENDER SUPPORT | 1 |
| W06-10 | A10354 | HEXAGONAL HEAD BOLT | 10 |
| W06-11 | A05768 | FLAT WASHER | 3 |
| W06-12 | A09938 | SPRING WASHER | 2 |
| W06-13 | A05750 | HEXAGON NUT | 5 |
| W06-14 | A10355 | TRAILING BODY | 1 |
| W06-15 | A10356 | HEXAGONAL HEAD BOLT | 2 |
| W06-16 | A10357 | PIN SHAFT | 1 |
| W06-17 | A05679 | PIN | 1 |
| W06-18 | A10358 | CONNECTION FRAME | 1 |
| W06-19 | A05707 | DAMPING ARM | 1 |
| W06-20 | A06140 | PIN SHAFT | 1 |
| W06-21 | A05748 | PIN | 1 |
| W06-22 | A05640 | WASHER | 10 |

W07



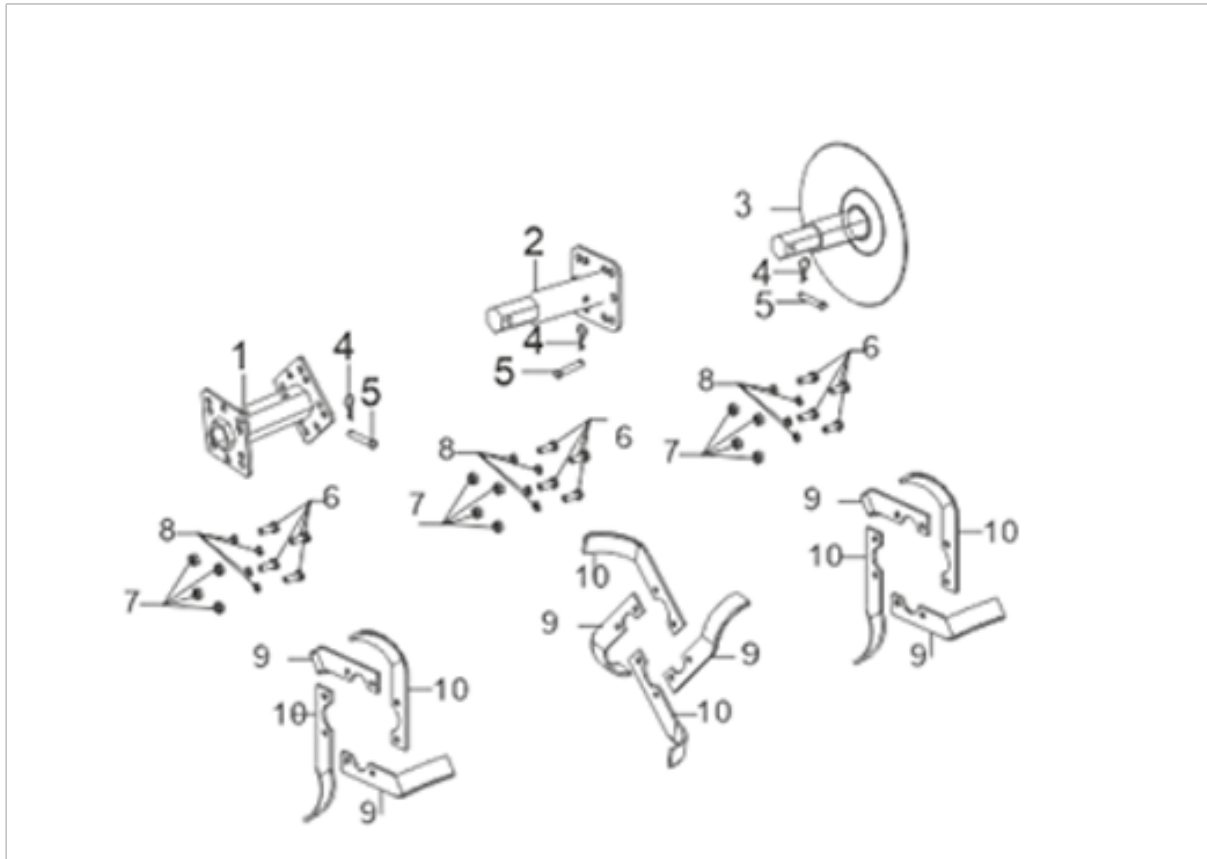
| POS. | CODE | DESCRIPTION | QTY |
|-------|--------|---------------------|-----|
| W07-1 | A11347 | HEXAGONAL HEAD BOLT | 8 |
| W07-2 | A09938 | FLAT WASHER | 8 |
| W07-3 | A05750 | HEXAGON NUT | 8 |
| W07-4 | A10366 | TRANSPORTION WHEEL | 1 |
| W07-5 | A10367 | TRANSPORTION WHEEL | 1 |
| W07-6 | A10368 | REAR WHEEL SHAFT | 2 |

W08



| POS. | CODE | DESCRIPTION | QTY |
|--------|--------|---------------------|-----|
| W08-1 | A10369 | CYLINDER | 1 |
| W08-2 | A05792 | CYLINDER | 1 |
| W08-3 | A06060 | TRIMMING WHEEL | 1 |
| W08-4 | A05748 | PIN | 3 |
| W08-5 | A06140 | PIN SHAFT | 3 |
| W08-6 | A11347 | HEXAGONAL HEAD BOLT | 12 |
| W08-7 | A05750 | HEXAGON NUT | 12 |
| W08-8 | A09938 | FLAT WASHER | 12 |
| W08-9 | A05906 | ROTARY BLADE | 6 |
| W08-10 | A05954 | ROTARY BLADE | 6 |

W09



| POS. | CODE | DESCRIPTION | QTY |
|--------|--------|---------------------|-----|
| W09-1 | A10369 | CYLINDER | 1 |
| W09-2 | A05792 | CYLINDER | 1 |
| W09-3 | A06060 | TRIMMING WHEEL | 1 |
| W09-4 | A05748 | PIN | 3 |
| W09-5 | A06140 | PIN SHAFT | 3 |
| W09-6 | A11347 | HEXAGONAL HEAD BOLT | 12 |
| W09-7 | A05750 | HEXAGON NUT | 12 |
| W09-8 | A09938 | FLAT WASHER | 12 |
| W09-9 | A05906 | ROTARY BLADE | 6 |
| W09-10 | A05954 | ROTARY BLADE | 6 |