

FFGROUP[®]

QUALITY POWER TOOLS



GPG 1100iS PRO
GPG 2000i PRO
GPG 2500i PRO
GPG 3500iE PRO

EN

ORIGINAL INSTRUCTIONS

FR

NOTICE ORIGINALE

IT

ISTRUZIONI ORIGINALI

EL

ΠΡΩΤΟΤΥΠΟ ΟΔΗΓΙΩΝ ΧΡΗΣΗΣ

SR

ORIGINALNO UPUTSTVO ZA RAD

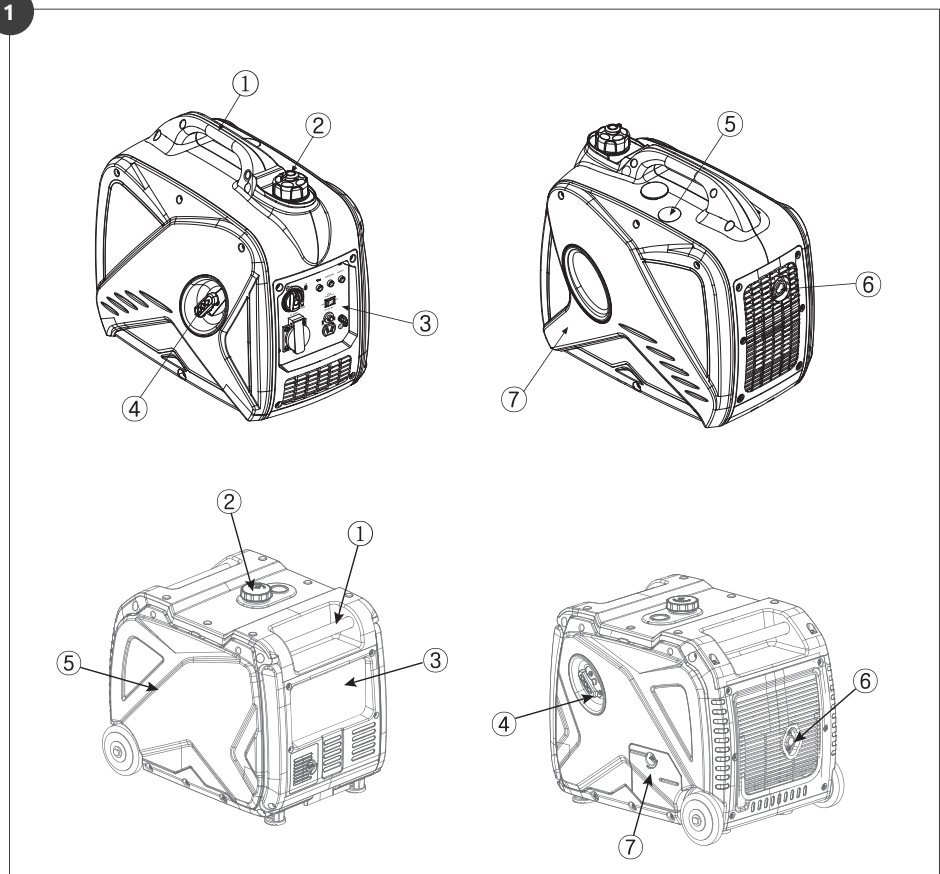
HR

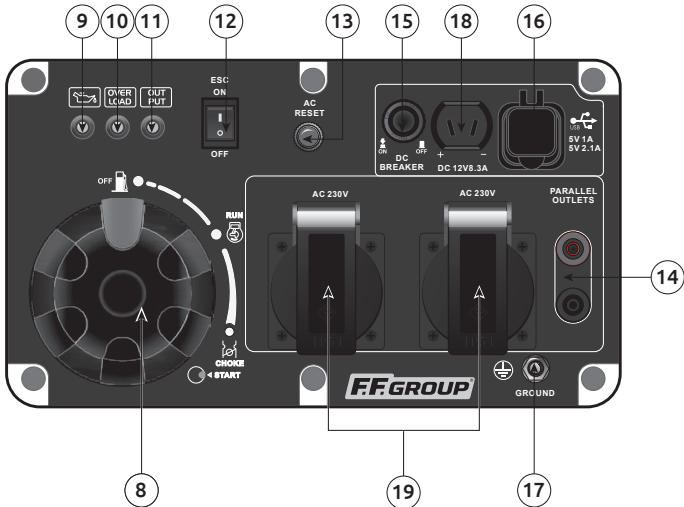
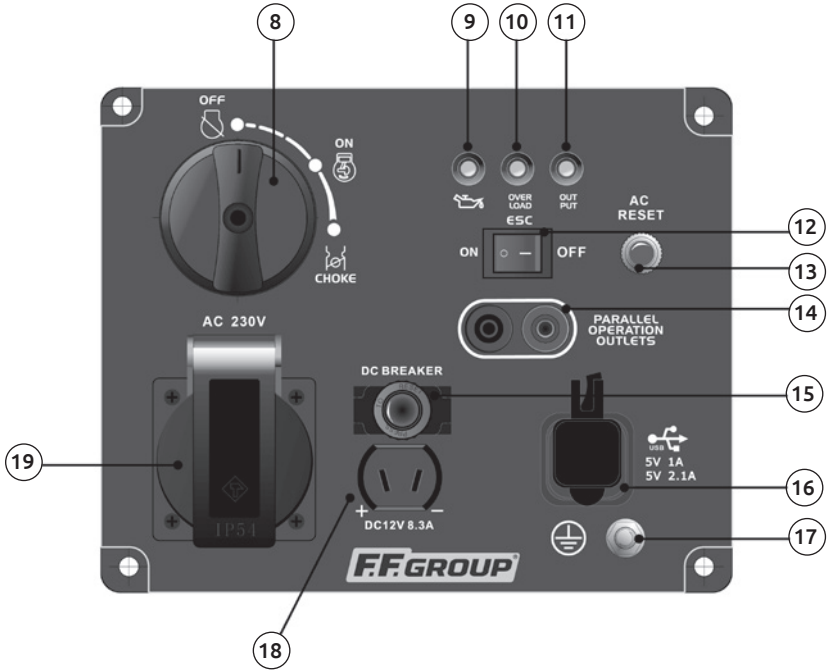
ORIGINALNE UPUTE ZA RAD

RO

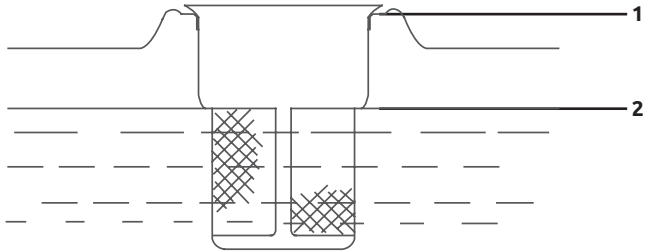
INSTRUCȚIUNI DE FOLOSIRE ORIGINALE

EXPLANATION OF SYMBOLS / EXPLICATION DES SYMBOLES / SPIEGAZIONE DEI SIMBOLI / ΕΠΕΞΗΓΗΣΗ ΣΥΜΒΟΛΩΝ / OBJAŠNJENJE SIMBOLA / OBJAŠNJENJE SIMBOLA / EXPLICAREA SIMBOLURILOR		8
EN	GASOLINE INVERTER GENERATOR	12
FR	GÉNÉRATEUR INVERTER À ESSENCE	18
IT	GENERATORE DI CORRECNTTE INVERTER A BENZINA	24
EL	ΓΕΝΗΤΡΙΑ ΒΕΝΖΙΝΗΣ INVERTER	30
SR	BENZINSKI INVERTER GENERATOR ZA STRUJU	36
HR	GENERATOR INVERTER ZA STRUJU SA BENZINSKIM	42
RO	GENERATOR BENZINA CU INVERTOR	47
TECHNICAL DATA / DONNÉES TECHNIQUES / DATI TECNICI / ΤΕΧΝΙΚΑ ΧΑΡΑΚΤΗΡΙΣΤΙΚΑ / TEHNIČKI PODACI / TEHNIČKI PO- DACI / DATE TEHNICE		54
CE		61

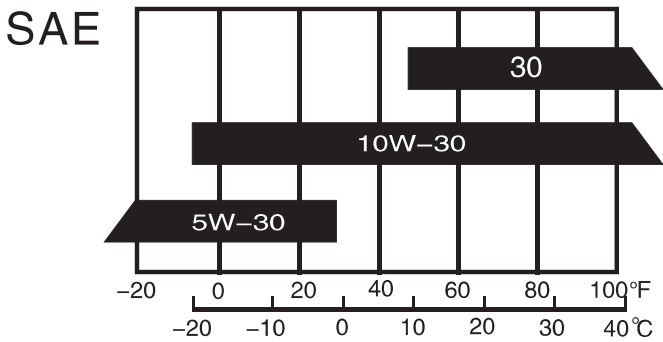




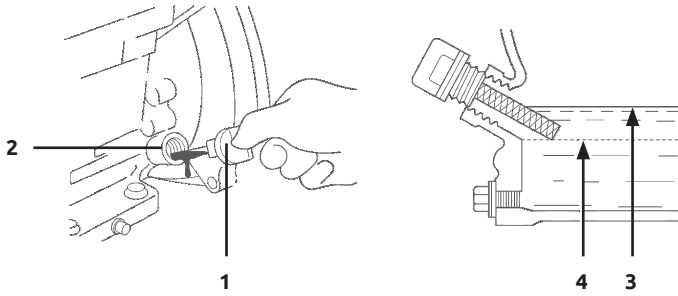
3



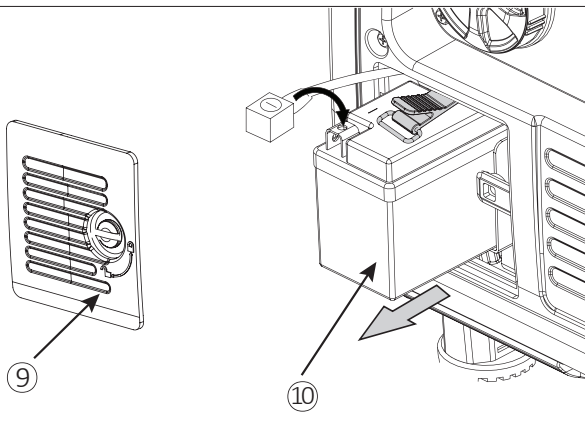
4



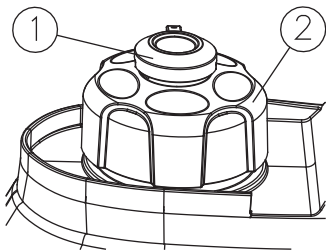
5



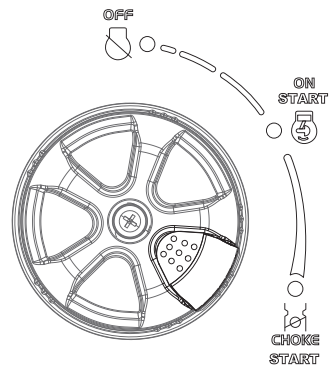
6



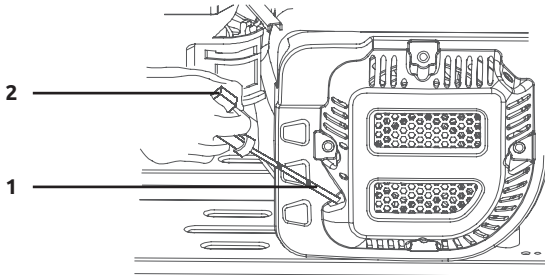
7



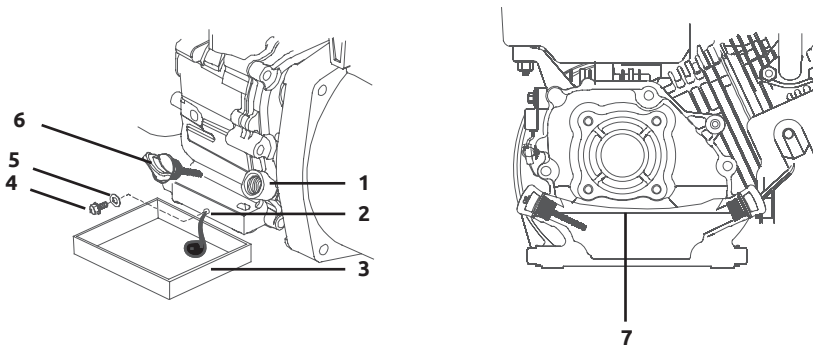
8



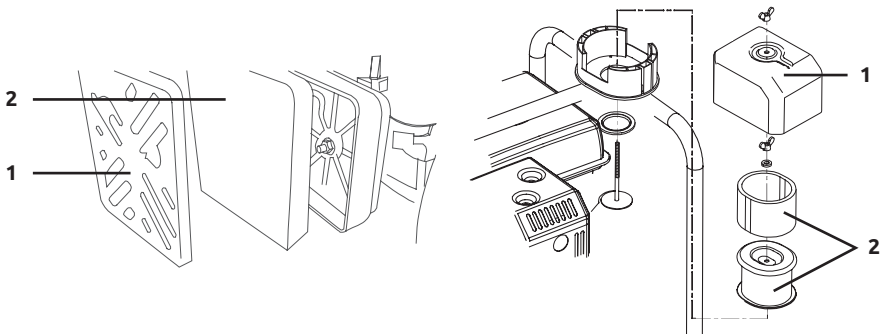
9



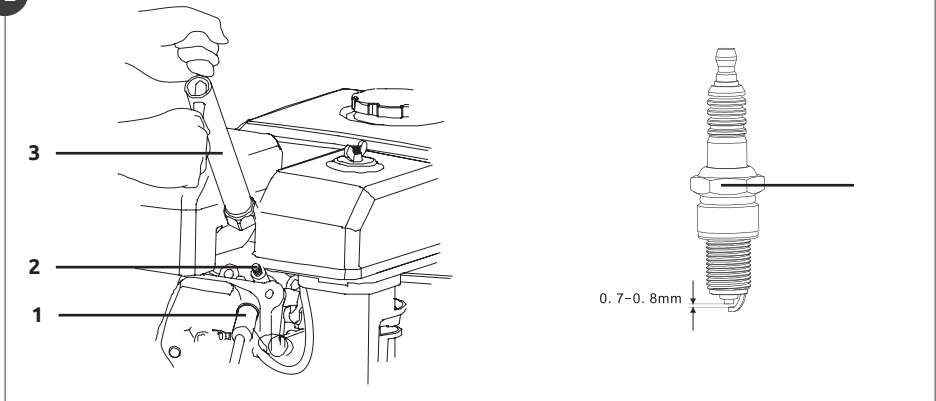
10



11













12








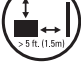





13



	ENGLISH	FRANÇAIS	ITALIANO
	EXPLANATION OF SYMBOLS	EXPLICATION DES SYMBOLES	SPIEGAZIONE DEI SIMBOLI
	Always read and understand the instructions before operating	Toujours lire et comprendre les instructions avant d'opérer	Leggere e comprendere sempre le istruzioni prima di operare
	Always wear appropriate protective breathing mask when operating	Portez toujours un masque respiratoire protecteur approprié lors de l'opération	Indossare sempre un'adeguata maschera protettiva durante il funzionamento
	Always wear appropriate ear protection when operating	Portez toujours une protection de l'oreille appropriée lors de l'exploitation	Indossare sempre un'adeguata protezione dell'orecchio quando si opera
	Always wear appropriate hand protection when operating	Portez toujours une protection appropriée pour les mains lors de l'exploitation	Indossare sempre la protezione della mano appropriata quando si opera
	Important, danger, warning, or caution	Important, danger ou avertissement	Importante, pericolo o avviso
	Risk of electric shock	Risque de choc électrique	Rischio di scosse elettriche
	Inspect the power cord regularly for damage. Remove the plug from the mains immediately if the cable is damaged or cut	Vérifiez régulièrement que le cordon d'alimentation afin de vous assurer qu'il ne soit pas endommagé. Débranchez immédiatement la prise si le câble est endommagé ou coupé	Ispezionare regolarmente il cavo di alimentazione per eventuali danni. Rimuovere immediatamente la spina dall'alimentazione se il cavo è danneggiato o tagliato
	Remove unit from electric supply before cleaning, adjusting or maintaining	Retirer l'unité de l'alimentation électrique avant de nettoyer, ajuster ou entretenir	Rimuovere l'unità dall'alimentazione elettrificata prima di pulire, regolare o mantenere
	Risk of fire	Risque de feu	Rischio di incendio
	Risk of burn	Risque de brûlure	Pericolo di ustione

ΕΛΛΗΝΙΚΑ	SRPSKI	HRVATSKI	ROMÂNĂ
ΕΠΕΞΗΓΗΣΗ ΣΥΜΒΟΛΩΝ	OBJAŠNJENJE SIMBOLA	OBJAŠNJENJE SIMBOLA	EXPLICAREA SIMBOLURILOR
Διαβάστε και κατανοήστε τις οδηγίες χρήσης πάντα πριν από τη λειτουργία	Uvek pročitajte i razumejte uputstva pre rada	Uvijek pročitajte i shvatite upute prije operacije	Citiți și înțelegeți întotdeauna instrucțiunile înainte de a utiliza
Να χρησιμοποιείτε πάντα κατάλληλη μάσκα αναπνοής κατά τη λειτουργία	Uvek nosite odgovarajuću zaštitnu masku za disanje prilikom rada	Prilikom rada uvijek nosite odgovarajuću zaštitnu masku za disanje	Purtați întotdeauna o mască de respirație de protecție adecvată în timpul
Να χρησιμοποιείτε πάντα κατάλληλη προστασία αυτιών κατά τη λειτουργία	Uvek nosite odgovarajuću zaštitu za uši kada radila	Uvijek nosite odgovarajuću zaštitu za uši prilikom rada	Purtați întotdeauna o protecție adecvată a urechii în timpul funcționării
Να χρησιμοποιείτε πάντα κατάλληλη προστασία χεριών κατά τη λειτουργία	Uvek nosite odgovarajuću zaštitu ruku kada radila	Prilikom rada uvijek nosite odgovarajuću zaštitu ruku	Purtați întotdeauna o protecție adecvată a mâinii în timpul funcționării
Σημαντικό, κίνδυνος ή προειδοποίηση	Važno, opasnost ili upozorenje	Važno, opasnost ili upozorenje	Important, pericol sau avertisment
Κίνδυνος ηλεκτροπληξίας	Rizik od električnog šoka	Rizik od strujnog udara	Risc de electrocutare
Επιθεωρείτε συχνά το καλώδιο για φθορές. Αφαιρέστε το καλώδιο από την παροχή ρεύματος σε περίπτωση που έχει υποστεί σοβαρές φθορές ή έχει κοπεί	Redovno pregledavajte kabl za napajanje na oštećenje. Odmah izvadite utikač iz utičnice ako je kabl oštećen ili prerezan	Redovito provjeravajte je li kabel za napajanje oštećen. Odmah izvucite utikač iz napajanja ako je kabel oštećen ili prerezan	Inspectați în mod regulat cablul de alimentare să nu prezinte deteriorări. Scoateți imediat ștecherul din priza de rețea, în cazul în care cablul este deterioratsau tăiat
Αφαιρέστε τη μονάδα από την παροχή ηλεκτρικού ρεύματος πριν από τον καθαρισμό, τη ρύθμιση ή τη συντήρηση	Uklanjanje jedinice iz električnog snabdevanja pre čišćenja, prilagodavanja ili održavanja	Uklonite jedinicu iz električnog napajanja prije čišćenja, podešavanja ili održavanja	Scoateți unitatea de alimentare electrică înainte de curățare, reglare sau întreținere
Κίνδυνος φωτιάς	Rizik od požara	Opasnost od požara	Risc de incendiu
Κίνδυνος εγκαύματος	Rizik od opekotina	Rizik od opekline	Risc de arsură

	ENGLISH	FRANÇAIS	ITALIANO
	EXPLANATION OF SYMBOLS	EXPLICATION DES SYMBOLES	SPIEGAZIONE DEI SIMBOLI
	Electromagnetic fields	Champs électromagnétiques	Campi elettromagnetici
	Risk of injury, due to tip over	Risque de blessure en cas de basculement	Pericolo di lesioni a causa di ribaltamento
	Risk of poisoning, due to toxic gases	Risque d'empoisonnement, dû aux gaz toxiques	Rischio di avvelenamento, a causa di gas tossici
	Risk of damage. Keep people, animals or nearby property at least 10m away	Risque de dommages. Gardez les personnes, les animaux ou les propriétés à proximité à au moins 10 mètres	Rischio di danni. Tenere persone, animali o proprietà vicine ad almeno 10 m di distanza
	Do not keep near sources of heat or fire	Ne pas conserver à proximité de sources de chaleur ou de feu	Non tenere vicino a fonti di calore o fuoco
	Do not keep or operate in wet environment	Ne pas conserver ou opérer dans un environnement humide	Non tenere o operare in un ambiente umido
	Do not place or operate on inclined surfaces	Ne placez pas ou ne fonctionnez pas sur des surfaces inclinées	Non posizionare o operare su superfici inclinate
	Operate at least 1,5m away from nearby people, animals, objects or buildings	Opérez à au moins 1,5 m des personnes, animaux, objets ou bâtiments à proximité	Operare ad almeno 1,5 m di distanza da persone, animali, oggetti o edifici vicini
	Must be recycled and should always be disposed in accordance with applicable directives	Doit être recyclé et doit toujours être éliminé conformément aux directives applicables	Deve essere riciclato e deve essere sempre smaltito secondo le direttive applicabili
	Ground connection point	Point de connexion au sol	Punto di connessione a terra
	Complies with applicable safety directives and relative standards	Conforme aux directives de sécurité applicables et aux normes relatives	Conforme alle direttive di sicurezza applicabili e alle relative norme

ΕΛΛΗΝΙΚΑ	SRPSKI	HRVATSKI	ROMÂNĂ
ΕΠΕΞΗΓΗΣΗ ΣΥΜΒΟΛΩΝ	OBJAŠNJENJE SIMBOLA	OBJAŠNJENJE SIMBOLA	EXPLICAREA SIMBOLURILOR
Ηλεκτρομαγνητικό πεδίο	Elektromagnetna polja	Elektromagnetska polja	Câmpuri electromagnetice
Κίνδυνος τραυματισμού, λόγω ανατροπής	Rizik od povreda, zbog prevrtaka	Opasnost od ozljeda zbog prevrtanja	Risc de rănire, din cauza răsturnării
Κίνδυνος δηλητηρίασης, λόγω τοξικών αερίων	Rizik od trovanja, zbog otrovnih gasova	Opasnost od trovanja, zbog otrovnih plinova	Risc de otrăvire, din cauza gazelor toxice
Κίνδυνος ζημιάς, Κρατήστε ανθρώπους, ζώα ή αντικείμενα αξίας τουλάχιστον 10m μακριά	Rizik od oštećenja. Držite ljude, životinje ili obližnje imanje najmanje 10m dalje	Rizik od oštećenja. Držite ljude, životinje ili imovinu u blizini najmanje 10 m	Risc de deteriorare. Țineți oamenii, animalele sau bunurile din apropiere la cel puțin 10 m distanță
Μη διατηρείτε κοντά σε πηγές θερμότητας ή φωτιάς	Ne držite se blizu izvora toplote ili vatre	Nemojte držati u blizini izvora topline ili vatre	Nu țineți lângă surse de căldură sau foc
Μη διατηρείτε ή λειτουργείτε σε υγρό περιβάλλον	Ne držite ili ne radite u vlažnom okruženju	Nemojte držati ili ne raditi u mokrom okruženju	Nu păstrați și nu utilizați în mediu umed
Μην τοποθετείτε ή λειτουργείτε σε κεκλιμένες επιφάνειες	Ne postavite ili operišite na sklone površine	Nemojte stavljati ili raditi na nagnutim površinama	Nu așezați și nu acționați pe suprafețe înclinate
Λειτουργήστε τουλάχιστον 1,5m μακριά από ανθρώπους, ζώα, αντικείμενα ή κτίρια	Operišu najmanje 1,5 metara od obližnjih ljudi, životinja, objekata ili zgrada	Radite na udaljenosti od najmanje 1,5 m od ljudi, životinja, objekata ili zgrada u blizini	Operați la cel puțin 1,5 m distanță de persoane, animale, obiecte sau clădiri din apropiere
Πρέπει να ανακυκλώνεται και πρέπει πάντα να απορρίπτεται σύμφωνα με τις ισχύουσες οδηγίες	Mora se reciklirati i uvek ga treba raspolagati u skladu sa važećim direktivama	Mora se reciklirati i uvijek zbrinuti u skladu s važećim direktivama	Trebuie reciclat și trebuie întotdeauna eliminat în conformitate cu directivele aplicabile
Σημείο σύνδεσης γείωσης	Tačka prizemne veze	Točka povezivanja tla	Punct de conectare la sol
Συμμορφώνεται με τις ισχύουσες οδηγίες ασφαλείας και τα σχετικά πρότυπα	U skladu sa važećim bezbednosnim direktivama i relativnim standardima	U skladu s primjenjivim sigurnosnim direktivama i relativnim standardima	Respectă directivele de siguranță aplicabile și standardele aferente

ENGLISH

GENERAL SAFETY WARNINGS

Read and understand this owner's manual before operating this product. You can help prevent accidents by being familiar with your product's controls and by observing safe operating procedures and safety signs. Always use your common sense to avoid all situations considered beyond your capability. Do not use while you are tired or under the influence of drugs, alcohol or any other medication. Keep bystanders and animals that could be hurt, as well as items that could be damaged, away while operating. Never allow children or people unfamiliar with these instructions to use the product. Local laws may restrict the minimum age of the operator. Bear in mind that the operator or user is responsible for accidents or unexpected events occurring to other people, animals or their property. Do not expose the product to excessive moisture, dust, dirt or corrosive vapors. Do not mount equipment or accessories on the machine not foreseen or approved by the manufacturer. Never attempt to modify the product. Non-authorized modifications or accessories can result in serious personal injury or the death of the operator or others. Consult your authorized dealer for disassembly and service, not covered in this manual. If something breaks or an accident occurs while working, turn off the machine immediately and move it away to prevent further damage. In case foreign body has entered the machine, stop it immediately, inspect it for any damage and make repairs before starting it again.

PROTECTIVE EQUIPMENT

Make sure that you use appropriate and certified protective equipment when operating the unit. Always wear clothing which does not hamper movements, protective gloves, goggles, half-mask respirator, ear protection and anti-shear safety boots with non-slip soles. Never wear scarves, necklaces or any hanging or flapping accessory and clothing that could catch in the machine. Tie up your hair if it is long.

POISON HAZARDS

Operate only outdoors and in well ventilated areas. When running, the engine exhausts poisonous carbon monoxide, an odorless and colorless gas. Inhaling carbon monoxide will cause nausea, fainting or death. Do not operate the machine in a confined space where dangerous carbon monoxide fumes can develop, or near open windows. Fuel and oil are extremely toxic. Do not inhale fuel evaporative gases and always wear appropriate protective equipment when handling them. Always store fuel and oil in approved containers and dispose responsibly.

FIRE AND BURN HAZARDS

Gasoline and oil are flammable. Follow the instructions provided by each manufacturer before use. Potential sources of fire or spark should be

kept away at all times. Do not smoke near the machine or any fuel and oil. Refuel only outdoors, in a well-ventilated area, with the engine shut off. Slowly open the fuel tank to allow the pressure inside to decrease gradually. Do not overflow the fuel tank. Make sure that there is some distance between any spare gasoline tank and the unit, to prevent unnecessary danger. Make sure that any and all spilled fuel and oil has been wiped off before starting the engine.

Some parts of the machine get hot enough to ignite flammable materials. Do not use in areas with high risk of fire. Do not direct the silencer and therefore the exhaust fumes towards flammable materials.

If a fire occurs, use an appropriate fire extinguisher especially designed for oil and gasoline fire.

Some parts of the machine get hot enough to cause burn damage. Pay attention not to touch them in order to avoid getting burned. Let the machine cool before storing it.

CATEGORY SAFETY WARNINGS

SAFE OPERATION

All of the operational levers of the machine must move from one position to the other easily and must not need forcing. The electric cables and the spark plug cable must be in perfect condition to avoid the generation of any sparks. The spark plug cap must be correctly fitted on the spark plug. The handgrips and protection devices must be clean and dry as well as securely fastened to the machine.

Always check for any objects that may block the air intake screen before beginning to work. A clogged air intake reduces the machine's performance and increases the engine's working temperature, which can result in engine failure.

Make sure that you stop the machine:

- ▶ When mounting or removing accessories.
- ▶ Whenever you leave the machine unattended.
- ▶ During refueling.
- ▶ During cleaning or maintenance.
- ▶ When moving between work areas.
- ▶ During transportation.
- ▶ Before storage.

ELECTRICITY HAZARDS

Make sure that the electric outlets of the machine and the cables and plugs that are connected to it are in good condition and not worn. Never use a damaged machine or a machine with damaged or worn electric cables and plugs. Do not expose the machine and the electric cables to wet conditions and never touch when wet. Use the ground contact. Do not come in contact with grounded surfaces or electric cables, to avoid the risk of electric shock. Do not use the cable to pull the plug out of the socket. Always lead the power cable away from the rear of the machine and protect it from heat, oil and sharp objects. When the machine is to be used outdoors, use only extension cords intended for outdoor use. The cross section of any extension cable must measure at least 1,5mm²

and the mains connection must be protected by an appropriate fuse.

ROTATING PARTS HAZARDS

Rotating parts can cause serious injury. Avoid contacting the rotating parts when they are still in rotation.

NOISE AND VIBRATION HAZARDS

The noise and vibration levels shown in these instructions are the maximum levels for use of the machine. Insufficient maintenance has a significant impact on vibration and noise emissions. Consequently, it is necessary to take preventive steps to eliminate possible damage due to high levels of noise and stress from vibration. Maintain the machine well, wear ear protection devices, anti-vibration gloves and take breaks while working. During a working day, you shall take frequent and adequate breaks to prevent damage from vibration and damage to the ears.

WORKING AREA HAZARDS

Thoroughly inspect the whole work area and remove anything that could be a hazardous source or cause damage to the machine. Check that there are no bystanders, animal or items that could be damaged within the machine's range of action.

Work only in daylight, or with suitable artificial light, in good visibility conditions. Try not to cause any noise disturbance, by only using this machine at reasonable times of the day.

Take on a firm and well-balanced position. Where possible, avoid working on wet, slippery ground or in any case on uneven or steep ground that does not guarantee stability for the operator or proper operation conditions for the machine.

Operate the machine in a free space, away from surrounding objects or walls to guarantee safe operation and clean air circulation for the intake.

REMAINING HAZARDS

The machine was built using modern technology and in accordance with recognized safety rules. Even when all safety measures are in place, some remaining hazards, which are not yet evident, may be present. The operator should use common sense and take necessary precautions to avoid risk due to remaining hazards.

PRODUCT SPECIFICATIONS

INTENDED USE

This machine is designed and manufactured to provide electrical power in areas where utility power is unavailable or unreliable.

Any other use differing from the above-mentioned ones could be hazardous, harm people and damage things and the machine itself.

IMPROPER USE

The machine must not be used for powering appliances other than the ones it is intended according to its specifications.

Other examples of improper use may include, but

are not limited, to operation of the machine:

- ▶ Without the original accessories supplied by the manufacturer.
- ▶ With original accessories but in a way not in accordance to the instructions.
- ▶ Without original spare parts.
- ▶ With unauthorized modifications.
- ▶ According to the applicable product liability laws, the manufacturer of the device does not assume liability for damages to the product or damages caused by the product that occurs due to:
 - ▶ Improper handling not complied with the operating instructions.
 - ▶ Repairs by third parties and not by authorized service technicians.
 - ▶ Installation of non-original spare parts.
 - ▶ Non-intended use.
 - ▶ Electrical system breakdown due to operation of the machine in a manner not compliant with the electric and VDE regulations.

TECHNICAL DATA PAGE 18

IDENTIFICATION (FIG. 1-2)

1. Transport handle
2. Fuel tank cap
3. Control panel
4. Recoil starter
5. Spark plug access
6. Exhaust
7. Engine oil access
8. Main switch
9. Low oil indicator
10. Overload indicator
11. Power output indicator
12. Engine smart control (ESC) switch
13. AC thermal protection
14. Parallel connection plugs
15. DC thermal protection
16. DC (USB) output
17. Ground terminal
18. DC (Battery charging) output
19. AC output

OPERATION

PREOPERATION

Unpacking and completing the assembly should be done on a flat and stable surface, with enough space for moving the machine and its packaging, always making use of suitable equipment. The assembly should be carried out by trained personnel at your nearest dealer shop, where necessary.

Fueling and lubrication

WARNING

The machine is delivered without oil and fuel.

This product is equipped with a 4-stroke engine meaning gasoline should be used in fuel tank and the engine should be filled with oil.

Fuel specifications: Unleaded gasoline or 90 octane or higher.

Fuel tank capacity: Refer to "TECHNICAL DATA TABLE"

To fill the machine with fuel (Fig. 3):

- ▶ Remove the fuel tank cap.
- ▶ Add fuel to the upper level of the fuel tank. Leave a minimum 5 mm of space between the top of the fuel and the inside edge of the tank to allow for expansion. Half the length of the fuel tank cap filter can also work as the upper fuel level sign, where available.
- ▶ Reposition the fuel tank cap and tighten appropriately.

WARNING

The fuel tank cap is provided with an air vent knob to stop fuel flow. The air vent knob must be turned to "ON". This will allow fuel to flow to the carburetor and the engine to run. When the engine is not in use, turn the air vent knob to "OFF" to stop fuel flow.

WARNING

Always use clean container for storing fuel and do not use fuel stored for more than a month.

Oil specifications: For general use (5°C - 38°C) the recommended oil is 4-stroke engine oil SAE 15W40 (Fig. 4).

Engine oil capacity: Refer to "TECHNICAL DATA TABLE"

To fill the engine with oil:

- ▶ Remove the oil filler cap (Fig. 5.1) from the engine oil filler neck (Fig. 5.2). The bottom part of it is the oil level indicator.
- ▶ Gradually add enough oil to bring the oil level to the lip of the oil filler neck, up to the upper level (Fig. 5.3) and not lower than the lower level (Fig. 5.4).
- ▶ Reposition the oil filler cap and tighten appropriately.

WARNING

Use a funnel in order to avoid spilling fuel or oil. Wipe off any spilled fuel and oil before starting the engine.

To connect the battery (Fig. 6), applies only to models with electric start:

- ▶ Open the battery panel.
- ▶ Remove the battery from its position.
- ▶ Connect the positive (red) cable to the positive pole of the battery.
- ▶ Connect the negative (black) cable to the negative pole of the battery.
- ▶ Reposition the battery and its panel.

STARTING THE UNIT

Before starting the machine:

- ▶ Make sure both the machine and you are on stable ground.
- ▶ Check that all the fasteners are secured in position.
- ▶ Disconnect all electrical loads from the generator. Never start or stop the generator with electrical devices plugged in or turned on.
- ▶ Check that the air filter is clean and that the air intake and exhaust are not clogged by any foreign materials.
- ▶ Fill with the required quantity of oil and fuel.

To start the machine:

- ▶ Turn the ESC switch to "OFF" (Fig. 1.12).
- ▶ Turn the air vent knob of the fuel tank (Fig. 7) to "ON".
- ▶ Move the main switch (Fig. 8) to the "CHOKE" position.

NOTE

This step applies only to cold starting of the engine. When the engine is already warm or the environment temperature is high, the main switch should remain at "ON" position at all times.

Grip firmly the handle of the machine with your left hand and the starter grip (Fig. 9.2) of the engine with your right hand. Pull the starter grip until you feel resistance to engage the engine and then pull firmly to start the engine.

WARNING

To avoid breaking the starter rope (Fig. 9.1), do not pull the whole length of it or let it slide along the edge of the cable guide hole. Release the starter gradually, to avoid letting it fly back uncontrollably.

NOTE:

For machines with electric ignition, you can use the ignition switch instead, by pushing it briefly until the engine starts.

As the engine warms up, move the main switch to "ON" position, if the engine was cold started.

NOTE

For maximum performance and reliability, allow the engine to warm up before operating at full load, running it for two to three minutes at idle speed.

OPERATING THE UNIT**Main switch**

- ▶ OFF: The ignition circuit is switched off and the fuel is switched off. The engine will not run.
- ▶ ON: The ignition circuit is switched ON, the fuel is switched ON and the choke is switched ON. The engine can run.
- ▶ CHOKE The ignition circuit is switched ON, the fuel is switched on and the choke is switched ON. The engine can start.

Power output indicator

The AC light (Green) comes on when the engine starts and produces power.

Low oil indicator

When the oil level falls below the lower level, the oil warning light (Red) comes on and then the engine stops automatically. Unless you refill with oil, the engine will not start again.

NOTE

If the engine stalls or does not start, turn the engine switch to "ON" and then pull the recoil starter. If the oil warning light flickers for a few seconds, the engine oil is insufficient. Add oil and restart.

Overload indicator

The overload indicator light (Red) comes on when an overload of a connected electrical device is detected, the inverter control unit overheats, or the AC output voltage rises. Then, the AC protector will trip, stopping power generation in order to protect the generator and any connected electric devices. The AC pilot light (Green) will go off and the overload indicator light (Red) will stay on, but the engine will not stop running.

When the overload indicator light comes on and

power generation stops, proceed as follows:

- ▶ Turn off any connected electric devices and stop the engine.
- ▶ Reduce the total wattage of connected electric devices within the rated output.
- ▶ Check for blockages in the cooling air inlet and around the control unit. If any blockages are found, remove them.
- ▶ After checking, restart the engine.

NOTE

The overload indicator light may come on for a few seconds at first when using electric devices that require a large starting current, such as a compressor or a submersible pump. However, this is not a malfunction.

Thermal switches

The switch pops out automatically when electric device being connected to the generator is operating and current above the rated flows, stopping power generation in order to protect the generator and any connected electric devices.

When the thermal switch is engaged and power generation stops, proceed as follows:

- ▶ Turn off any connected electric devices and stop the engine.
- ▶ Reduce the total wattage of connected electric devices within the rated output.
- ▶ Check for blockages in the cooling air inlet and around the control unit. If any blockages are found, remove them.
- ▶ Push the thermal switch back into position.
- ▶ After checking, restart the engine.

WARNING

If the thermal protection engages again, stop using the device immediately and consult our company authorized dealer.

Engine smart control (ESC)

- ▶ ON: When the ESC switch is turned to "ON", the economy control unit controls the engine speed, according to the connected load. As a result of that, the fuel consumption and the noise are lower. Use this function only when the load applied to the generator is half its rated output power or lower.
- ▶ OFF: When the ESC switch is turned to "OFF", the engine runs at the rated rpm, regardless a load is connected or not.

WARNING

The ESC must be turned to "OFF" when using electric devices that require large starting current, such as a compressor or a submersible pump, or when the load applied to the generator is larger than half its rated power output.

Ground terminal

Ground terminal connects the earth line for prevention of electric shock. When the electric device is earthed, always the generator must be earthed. In order to prevent electric shock due to shoddy electrical appliances or wrong use of electricity, the generator must be grounded with a good quality insulated conductor.

To stop the machine:

- ▶ Turn off and unplug all electrical loads.

WARNING

Never start or stop the generator with electrical devices plugged in or turned on.

- ▶ Let the generator run at no-load for several minutes, to stabilize internal temperatures of the engine and the generator.
- ▶ Turn the main switch to "OFF" position. Ignition circuit is switched on. Fuel is switched OFF.

MAINTENANCE AND CLEANING

WARNING

Never do maintenance or cleaning with the unit running. Always work on a cool unit. Before cleaning or doing maintenance work, disconnect the spark plug cap and read the relevant instructions. Always wear proper clothing and protective gloves whenever your hands are at risk.

Any adjustments or maintenance operations not described in this manual must be carried out by your Dealer or a specialized Service Centre with the necessary knowledge and equipment to ensure that the work is done correctly maintaining the machine's original safety level. Any operations performed in unauthorized centers or by unqualified persons will totally invalidate the Warranty and all obligations and responsibilities of the Manufacturer.

Keep all nuts and screws tight to be sure the machine is always in safe working condition. Routine maintenance is essential for safety and for maintaining a high-performance level.

WARNING

Never use the machine with worn or damaged parts. Faulty or worn-out parts must always be replaced and not repaired. Only use original spare parts.

MAINTENANCE SCHEDULE

Items		Frequency				
		Before each use	After 1st month or first 20hrs of operation	Every 3 months or 50hrs of operation	Every 12 months or 100hrs of operation	Every 24 months or 250hrs of operation
Complete unit	Visual Inspection	√				
Control handles	Check Operation	√				
Spark arrester (if available)	Check			√*		
Engine oil	Check-Refill	√				
	Replace		√	√		
Air filter	Check	√				
	Clean		√			
	Replace			√		

Spark plug	Check-Adjust		√		√*	
Fuel line and filter	Check-Clean **				√*	
Fuel tank	Check-Clean **					√*
Deposit cup (if available)	Clean		√	√		
Valve clearance	Check-Adjust **				√	
Combustion chamber	Check-Clean **					√*
*These items should be replaced if needed. **These operations should be carried out only by authorised dealer, that have the appropriate tools and the required mechanical proficiency.						

ENGINE OIL

WARNING

Checking the level and changing the oil should be done on solid and level ground. The engine has to be stopped at all times. If the engine had been running, it will be hot and the procedure should be done with care and necessary precautions in order to avoid burn danger.

NOTE

Drain the used oil while the engine is warm. Warm oil drains quickly and completely.

To check the oil level:

1. Remove the oil filler cap (Fig. 10.6) from the engine oil filler neck (Fig. 10.1).
2. Check the oil level. The oil level should reach the lip (Fig. 10.7) of the oil filler neck. If required, add enough oil to bring the oil level to the lip of the oil filler neck, up to the upper level and not lower than the lower level.
3. Reposition the oil filler cap and tighten appropriately.

To change the oil:

1. Remove the oil filler cap from the engine oil filler neck.
2. Place a suitable container (Fig. 10.3) under the oil drain hole (Fig. 10.2) to catch the used oil.
3. Remove the oil drain plug (Fig. 10.4) and washer (Fig. 10.5) to allow the oil to drain completely.
4. Reposition the oil drain plug with its washer and tighten appropriately.
5. Gradually add enough oil to bring the oil level to the lip of the oil filler neck, up to the upper level and not lower than the lower level.
6. Reposition the oil filler cap and tighten appropriately.

NOTE

If the engine frequently works under extremely dusty or other severe circumstances, change the engine oil every 25 hours.

WARNING

Running the engine with low oil level will cause engine damage.

AIR FILTER

WARNING

Operating the engine without an air cleaner, or with a damaged air cleaner, will allow dirt to enter the engine, causing rapid engine wear.

To check, clean or change the air filter:

1. Remove the air filter cover (Fig. 11.1).

2. Make sure that the air filter element (Fig. 11.2) is free from dirt and in a good condition. If it is dirty, remove and clean it.
3. To clean a foam air filter element wash it with home detergent and hot water and let it dry. Then soak it in clean saturated engine oil and gently squeeze out excess oil. If required, replace it with a new one.
4. To clean a paper air filter element, clean light dirt by gently taping it a few times on a hard surface and replace if heavy dirt is present.
5. Clean the inside of the air filter case and cover from dirt with a soft cloth. If the engine is equipped with an oil bath type air filter, replace the oil with new engine oil.
6. Reinstall the air filter element and follow the reverse procedure to put back in position the air filter cover.

WARNING

Never clean the air filter with flammable or low flash-point detergents to avoid the risk of a fire or explosion.

NOTE

If the engine frequently works under dusty or other severe circumstances, clean the air filter every 10 hours and add change its oil with new. If necessary, change the air filter element every 25 hours.

SPARK PLUG

To maintain the spark plug (Fig. 12.4):

1. Remove the spark plug cap (Fig. 12.1) to access the spark plug (Fig. 12.2).
2. Use an appropriate spark plug tool (Fig. 12.3) to carefully remove the spark plug.
3. Inspect the condition of the spark plug and its electrode. It must be clean and not worn. Check that the spark plug gap is between 0.7 and 0.8mm. Replace the spark plug with a new one, if needed.
4. Carefully thread the spark plug into the engine by hand.
5. Once threaded, use the appropriate spark plug tool to tighten the spark plug, paying attention not to use excessive force damaging the threads.
6. Re-attach the spark plug cap.

WARNING

Never allow dirt or debris to enter the cylinder bore. Before removing the spark plug, thoroughly clean the spark plug and cylinder head area.

FUEL FILTER

The fuel tank may be fitted with a filter (Fig. 13), depending on tiller model, situated at the fuel tank cap. The fuel filter can be picked out and should be checked periodically. If the filter is dirty, clean it and replace it with a new one when required. In case the inside of the fuel tank is dirty, it can be cleaned by rinsing the fuel tank with clean petrol.

CLEANING

Use a small soft brush to clean the outside of the unit. Do not use strong detergents. Household cleaners that contain aromatic oils such as pine and lemon and solvents such as kerosene can damage plastic housing or handle. Wipe off any moisture with a soft cloth.

STORAGE WARNING

Never store the unit with fuel in the tank and always allow the unit to cool before storing. Store the unit only in dry and well ventilated areas.

In case the unit will be stored for an extended time, use the following storage procedure:

1. Drain all fuel from the fuel tank.
2. Run the engine until it stalls due to lack of fuel.
3. Replace the engine oil with new.
4. Remove the spark plug and put 30 ml of high quality motor oil into the cylinder. Pull the starter rope slowly to distribute the oil and then reinstall the spark plug.
5. Thoroughly clean the unit and inspect for any loose or damaged parts. Repair or replace damaged parts and tighten loose screws, nuts or bolts.
6. Lubricate all parts required with an oil damp cloth to avoid rust built-up.

ENVIRONMENTAL PROTECTION

Recycle raw materials instead of disposing as waste. Machine, accessories and packaging should be sorted for environment friendly recycling. The plastic components are labeled for categorized recycling.

Dispose used motor oil and the containers in a manner that is compatible with the environment. We suggest you take it in a sealed container to your local recycling center or service station for reclamation. Do not throw it in the trash, pour it on the ground, or pour it down a drain.

WARRANTY

This product is warranted in accordance with the legal / country specific regulations, effective from the date of purchase by the first user. Damage attributable to normal wear and tear, overload or improper handling will be excluded from the warranty. In case of a claim, please send the machine, completely assembled, to your dealer or the official service center.

FRANÇAIS

AVERTISSEMENTS GÉNÉRAUX DE SÉCURITÉ

Lisez et comprenez ce manuel du propriétaire avant d'utiliser ce produit. Vous pouvez aider à prévenir les accidents en vous familiarisant avec les commandes de votre produit et en observant les procédures d'utilisation sûres et les panneaux de sécurité. Utilisez toujours votre bon sens pour éviter toutes les situations jugées au-delà de vos capacités. Ne pas utiliser lorsque vous êtes fatigué ou sous l'influence de drogues, d'alcool ou de tout autre médicament. Éloignez les passants et les animaux qui pourraient être blessés, ainsi que les objets qui pourraient être endommagés, pendant le fonctionnement. Ne laissez jamais des enfants ou des personnes non familiarisées avec ces instructions utiliser le produit. Les lois locales peuvent restreindre l'âge minimum de l'opérateur. Gardez à l'esprit que l'opérateur ou l'utilisateur est responsable des accidents ou des événements imprévus survenant à d'autres personnes, animaux ou à leurs biens. N'exposez pas le produit à une humidité excessive, à la poussière, à la saleté ou aux vapeurs corrosives. Ne montez pas d'équipements ou d'accessoires sur la machine non prévus ou approuvés par le fabricant. N'essayez jamais de modifier le produit. Des modifications ou des accessoires non autorisés peuvent entraîner des blessures graves ou la mort de l'opérateur ou d'autres personnes. Consultez votre revendeur agréé pour le démontage et l'entretien, non couverts dans ce manuel. Si quelque chose se brise ou qu'un accident se produit pendant le travail, éteignez immédiatement la machine et éloignez-la pour éviter d'autres dommages. Si un corps étranger est entré dans la machine, arrêtez-la immédiatement, inspectez-la pour déceler tout dommage et effectuez les réparations avant de la redémarrer.

ÉQUIPEMENT PROTECTEUR

Assurez-vous d'utiliser un équipement de protection approprié et certifié lors de l'utilisation de l'appareil. Portez toujours des vêtements qui ne gênent pas les mouvements, des gants de protection, des lunettes, un demi-masque respiratoire, une protection auditive et des bottes de sécurité anti-cisaillement avec semelles antidérapantes. Ne portez jamais d'écharpes, de colliers ou d'accessoires et de vêtements suspendus ou flottants qui pourraient s'accrocher à la machine. Attachez vos cheveux s'ils sont longs.

RISQUES DE POISON

Utiliser uniquement à l'extérieur et dans des zones bien ventilées. Lorsqu'il tourne, le moteur dégage du monoxyde de carbone toxique, un gaz inodore et incolore. L'inhalation de monoxyde de carbone provoque des nausées, des évanouissements ou la mort. N'utilisez pas la machine dans un espace confiné où des vapeurs dangereuses de monoxyde de carbone peuvent se développer, ou à proximité de fenêtres ouvertes.

Le carburant et l'huile sont extrêmement toxiques. N'inhaliez pas les gaz d'évaporation du carburant et

portez toujours un équipement de protection approprié lors de leur manipulation. Stockez toujours le carburant et l'huile dans des conteneurs approuvés et éliminez-les de manière responsable.

RISQUES D'INCENDIE ET DE BRÛLURE

L'essence et l'huile sont inflammables. Suivez les instructions fournies par chaque fabricant avant utilisation. Les sources potentielles d'incendie ou d'étincelles doivent être tenues à l'écart en tout temps. Ne fumez pas à proximité de la machine ou de carburant et d'huile. Faites le plein uniquement à l'extérieur, dans un endroit bien aéré, avec le moteur arrêté. Ouvrez lentement le réservoir de carburant pour permettre à la pression à l'intérieur de diminuer progressivement. Ne remplissez pas trop le réservoir de carburant. Assurez-vous qu'il y a une certaine distance entre tout réservoir d'essence de recharge et l'appareil, afin d'éviter tout danger inutile. Assurez-vous que tous les déversements de carburant et d'huile ont été essuyés avant de démarrer le moteur.

Certaines parties de la machine deviennent suffisamment chaudes pour enflammer des matériaux inflammables. Ne pas utiliser dans les zones à haut risque d'incendie. Ne dirigez pas le silencieux et donc les gaz d'échappement vers des matériaux inflammables.

En cas d'incendie, utilisez un extincteur approprié spécialement conçu pour les feux d'huile et d'essence.

Certaines parties de la machine deviennent suffisamment chaudes pour provoquer des brûlures. Faites attention à ne pas les toucher afin d'éviter de vous brûler. Laissez la machine refroidir avant de la ranger.

AVERTISSEMENTS DE SÉCURITÉ DE LA CATÉGORIE

FONCTIONNEMENT SÛR

Tous les leviers de commande de la machine doivent se déplacer facilement d'une position à l'autre et ne doivent pas nécessiter de forcer. Les câbles électriques et le câble de la bougie doivent être en parfait état pour éviter la génération d'étincelles. Le capuchon de la bougie doit être correctement monté sur la bougie. Les poignées et dispositifs de protection doivent être propres et secs et solidement fixés à la machine.

Vérifiez toujours s'il y a des objets susceptibles de bloquer la grille d'admission d'air avant de commencer à travailler. Une entrée d'air obstruée réduit les performances de la machine et augmente la température de fonctionnement du moteur, ce qui peut entraîner une panne du moteur. Assurez-vous d'arrêter la machine :

- ▶ Lors du montage ou du retrait d'accessoires.
- ▶ Chaque fois que vous laissez la machine sans surveillance.
- ▶ Pendant le ravitaillement.
- ▶ Pendant le nettoyage ou l'entretien.
- ▶ Lors des déplacements entre les zones de travail.
- ▶ Pendant le transport.
- ▶ Avant stockage.

RISQUES ÉLECTRIQUES

Assurez-vous que les prises électriques de la machine et les câbles et fiches qui y sont connectés sont en bon état et non usés. N'utilisez jamais une machine endommagée ou une machine avec des câbles électriques et des prises endommagés ou usés. N'exposez pas la machine et les câbles électriques à des conditions humides et ne les touchez jamais lorsqu'ils sont mouillés. Utilisez le contact au sol. Ne pas entrer en contact avec des surfaces mises à la terre ou des câbles électriques, pour éviter le risque de choc électrique. N'utilisez pas le câble pour débrancher la fiche de la prise. Éloignez toujours le câble d'alimentation de l'arrière de la machine et protégez-le de la chaleur, de l'huile et des objets pointus. Lorsque la machine doit être utilisée à l'extérieur, n'utilisez que des rallonges destinées à une utilisation à l'extérieur. La section de tout câble d'extension doit mesurer au moins 1,5 mm² et la connexion au secteur doit être protégée par un fusible approprié.

DANGERS LIÉS AUX PIÈCES TOURNANTES

Les pièces en rotation peuvent causer des blessures graves. Évitez de toucher les pièces en rotation lorsqu'elles sont encore en rotation.

RISQUES DE BRUIT ET DE VIBRATION

Les niveaux de bruit et de vibration indiqués dans ces instructions sont les niveaux maximum pour l'utilisation de la machine. Un entretien insuffisant a un impact significatif sur les émissions de vibrations et de bruit. Par conséquent, il est nécessaire de prendre des mesures préventives pour éliminer les éventuels dommages dus aux niveaux élevés de bruit et aux contraintes dues aux vibrations. Entretenez bien la machine, portez des protections auditives, des gants anti-vibrations et faites des pauses pendant le travail. Au cours d'une journée de travail, vous devez prendre des pauses fréquentes et adéquates pour éviter les dommages causés par les vibrations et les dommages aux oreilles.

RISQUES DE LA ZONE DE TRAVAIL

Inspectez soigneusement toute la zone de travail et retirez tout ce qui pourrait être une source dangereuse ou endommager la machine. Vérifiez qu'il n'y a pas de passants, d'animaux ou d'objets qui pourraient être endommagés dans le rayon d'action de la machine.

Travailler uniquement à la lumière du jour, ou avec une lumière artificielle adaptée, dans de bonnes conditions de visibilité. Essayez de ne pas causer de nuisances sonores en n'utilisant cette machine qu'à des heures raisonnables de la journée.

Adoptez une position ferme et bien équilibrée. Dans la mesure du possible, évitez de travailler sur des sols humides, glissants ou, en tout cas, sur des sols irréguliers ou escarpés qui ne garantissent pas la stabilité de l'opérateur ou les bonnes conditions de fonctionnement de la machine.

Faites fonctionner la machine dans un espace libre, loin des objets ou des murs environnants pour garantir un fonctionnement sûr et une circulation d'air propre pour l'admission.

DANGERS RESTANTS

La machine a été construite à l'aide d'une technologie moderne et conformément aux règles de sécurité reconnues. Même lorsque toutes les mesures de sécurité sont en place, certains dangers restants, qui ne sont pas encore évidents, peuvent être présents. L'opérateur doit faire preuve de bon sens et prendre les précautions nécessaires pour éviter les risques dus aux dangers restants.

SPÉCIFICATIONS DU PRODUIT

UTILISATION PRÉVUE

Cette machine est conçue et fabriquée pour fournir de l'énergie électrique dans les zones où l'alimentation électrique n'est pas disponible ou n'est pas fiable.

Toute autre utilisation différente de celles mentionnées ci-dessus pourrait être dangereuse, blesser les personnes et endommager les choses et la machine elle-même.

UTILISATION INCORRECTE

La machine ne doit pas être utilisée pour alimenter des appareils autres que ceux auxquels elle est destinée conformément à ses spécifications.

D'autres exemples d'utilisation inappropriée peuvent inclure, mais sans s'y limiter, le fonctionnement de la machine :

- ▶ Sans les accessoires d'origine fournis par le fabricant.
- ▶ Avec accessoires d'origine mais d'une manière non conforme à la notice.
- ▶ Sans pièces de rechange d'origine.
- ▶ Avec des modifications non autorisées.
- ▶ Conformément aux lois applicables en matière de responsabilité du fait des produits, le fabricant de l'appareil n'assume aucune responsabilité pour les dommages au produit ou les dommages causés par le produit qui se produisent en raison de :
- ▶ Manipulation non conforme aux instructions d'utilisation.
- ▶ Réparations par des tiers et non par des techniciens de service agréés.
- ▶ Installation de pièces de rechange non originales.
- ▶ Utilisation non conforme.
- ▶ Panne de l'installation électrique due à un fonctionnement de la machine non conforme aux réglementations électriques et VDE.

DONNÉES TECHNIQUES PAGE 18

IDENTIFICATION (FIG. 1-2)

1. Poignée de transport
2. Bouchon de réservoir de carburant
3. Panneau de commande
4. Démarreur à rappel
5. Accès aux bougies
6. Échappement
7. Accès à l'huile moteur
8. Interrupteur principal
9. Indicateur de bas niveau d'huile
10. Indicateur de surcharge
11. Indicateur de puissance de sortie

12. Commutateur de contrôle intelligent du moteur (ESC)
13. Protection thermique AC
14. Fiches de connexion parallèle
15. Protection thermique CC
16. Sortie CC (USB)
17. Borne de terre
18. Sortie CC (charge de la batterie)
19. Sortie CA

OPÉRATION

PRÉOPÉRATION

Le déballage et l'achèvement de l'assemblage doivent être effectués sur une surface plane et stable, avec suffisamment d'espace pour déplacer la machine et son emballage, en utilisant toujours un équipement approprié. Le montage doit être effectué par du personnel qualifié chez votre revendeur le plus proche, si nécessaire.

Alimentation et lubrification

AVERTISSEMENT

La machine est livrée sans huile ni carburant.

Ce produit est équipé d'un moteur à 4 temps, ce qui signifie que l'essence doit être utilisée dans le réservoir de carburant et que le moteur doit être rempli d'huile.

Spécifications du carburant : essence sans plomb ou indice d'octane 90 ou supérieur.

Capacité du réservoir de carburant : reportez-vous au « TABLEAU DE DONNÉES TECHNIQUES »

Pour remplir la machine de carburant (Fig. 3) :

- ▶ Retirez le bouchon du réservoir de carburant.
- ▶ Ajoutez du carburant au niveau supérieur du réservoir de carburant. Laisser un espace minimum de 5 mm entre le haut du carburant et le bord inférieur du réservoir pour permettre la dilatation. La moitié de la longueur du filtre du bouchon du réservoir de carburant peut également servir de signe de niveau de carburant supérieur, le cas échéant.
- ▶ Repositionnez le bouchon du réservoir de carburant et serrez-le correctement.

AVERTISSEMENT

Le bouchon du réservoir de carburant est muni d'un bouton de purge d'air pour arrêter le débit de carburant. Le bouton de purge d'air doit être tourné sur "ON". Cela permettra au carburant de s'écouler vers le carburateur et au moteur de fonctionner. Lorsque le moteur n'est pas utilisé, tournez le bouton d'aération sur "OFF" pour arrêter le débit de carburant.

AVERTISSEMENT

Utilisez toujours un récipient propre pour stocker le carburant et n'utilisez pas de carburant stocké pendant plus d'un mois.

Spécifications de l'huile : Pour une utilisation générale (5°C - 38°C), l'huile recommandée est l'huile moteur 4 temps SAE 15W40 (Fig. 4).

Entretien d'huile moteur : Se reporter au « TABLEAU DES CARACTÉRISTIQUES TECHNIQUES »

Pour remplir le moteur d'huile :

- ▶ Retirez le bouchon de remplissage d'huile (Fig. 5.1) du goulot de remplissage d'huile moteur (Fig. 5.2). La partie inférieure de celui-ci est l'indicateur de niveau d'huile.

- ▶ Ajoutez progressivement suffisamment d'huile pour amener le niveau d'huile jusqu'au rebord du goulot de remplissage d'huile, jusqu'au niveau supérieur (Fig. 5.3) et pas plus bas que le niveau inférieur (Fig. 5.4).
- ▶ Repositionner le bouchon de remplissage d'huile et serrer convenablement.

AVERTISSEMENT

Utilisez un entonnoir pour éviter de renverser du carburant ou de l'huile. Essayez tout déversement de carburant et d'huile avant de démarrer le moteur.

Pour connecter la batterie (Fig. 6), s'applique uniquement aux modèles avec démarrage électrique :

- ▶ Ouvrez le panneau de la batterie.
- ▶ Retirez la batterie de son emplacement.
- ▶ Connectez le câble positif (rouge) au pôle positif de la batterie.
- ▶ Connectez le câble négatif (noir) au pôle négatif de la batterie.
- ▶ Repositionnez la batterie et son panneau.

DÉMARRAGE DE L'UNITÉ

Avant de démarrer la machine :

- ▶ Assurez-vous que la machine et vous-même êtes sur un sol stable.
- ▶ Vérifiez que toutes les attaches sont fixées en place.
- ▶ Débranchez toutes les charges électriques du générateur. Ne jamais démarrer ou arrêter le générateur avec des appareils électriques branchés ou allumés.
- ▶ Vérifiez que le filtre à air est propre et que l'entrée et la sortie d'air ne sont pas obstruées par des corps étrangers.
- ▶ Remplir avec la quantité requise d'huile et de carburant.

Pour démarrer la machine :

- ▶ Tournez le commutateur ESC sur "OFF" (Fig. 1.12).
- ▶ Tournez le bouton de purge d'air du réservoir de carburant (Fig. 7) sur "ON".
- ▶ Mettez l'interrupteur principal (Fig. 8) en position « CHOKE ».

REMARQUE

Cette étape s'applique uniquement au démarrage à froid du moteur. Lorsque le moteur est déjà chaud ou que la température ambiante est élevée, l'interrupteur principal doit rester en position "ON" à tout moment.

Saisissez fermement la poignée de la machine avec votre main gauche et la poignée de démarrage (Fig. 9.2) du moteur avec votre main droite. Tirez sur la poignée de démarrage jusqu'à ce que vous sentiez une résistance pour engager le moteur, puis tirez fermement pour démarrer le moteur.

AVERTISSEMENT

Pour éviter de casser le câble du démarreur (Fig. 9.1), ne le tirez pas sur toute sa longueur et ne le laissez pas glisser le long du bord du trou guide-câble. Relâchez le démarreur progressivement, pour éviter de le laisser repartir de façon incontrôlable.

REMARQUE:

Pour les machines à allumage électrique, vous pouvez utiliser le contacteur d'allumage à la place, en le poussant brièvement jusqu'à ce que le moteur démarre.

Lorsque le moteur se réchauffe, placez l'interrupteur principal sur la position "ON" si le moteur a démarré à froid.

REMARQUE

Pour des performances et une fiabilité maximales, laissez le moteur se réchauffer avant de l'utiliser à pleine charge, en le faisant tourner pendant deux à trois minutes au ralenti.

FONCTIONNEMENT DE L'APPAREIL

Interrupteur principal

- ▶ OFF : Le circuit d'allumage est coupé et le carburant est coupé. Le moteur ne fonctionnera pas.
- ▶ ON : le circuit d'allumage est activé, le carburant est activé et le starter est activé. Le moteur peut tourner.
- ▶ STARTER Le circuit d'allumage est activé, le carburant est activé et le starter est désactivé. Le moteur peut démarrer.

Indicateur de puissance de sortie

Le voyant AC (vert) s'allume lorsque le moteur démarre et produit de l'énergie.

Indicateur de bas niveau d'huile

Lorsque le niveau d'huile descend en dessous du niveau inférieur, le voyant d'alerte d'huile (Rouge) s'allume puis le moteur s'arrête automatiquement. Sauf si vous faites le plein d'huile, le moteur ne redémarrera pas.

REMARQUE

Si le moteur cale ou ne démarre pas, tournez le commutateur du moteur sur "ON" puis tirez sur le démarreur à rappel. Si le voyant d'huile clignote pendant quelques secondes, le niveau d'huile moteur est insuffisant. Ajouter de l'huile et redémarrer.

Indicateur de surcharge

Le voyant de surcharge (rouge) s'allume lorsqu'une surcharge d'un appareil électrique connecté est détectée, que l'unité de commande de l'onduleur surchauffe ou que la tension de sortie CA augmente. Ensuite, le protecteur AC se déclenchera, arrêtant la production d'énergie afin de protéger le générateur et tous les appareils électriques connectés. Le témoin lumineux AC (vert) s'éteindra et le témoin de surcharge (rouge) restera allumé, mais le moteur ne s'arrêtera pas de tourner.

Lorsque le voyant de surcharge s'allume et que la production d'électricité s'arrête, procédez comme suit :

- ▶ Éteignez tous les appareils électriques connectés et arrêtez le moteur.
- ▶ Réduisez la puissance totale des appareils électriques connectés dans la limite de la puissance nominale.
- ▶ Vérifiez s'il y a des blocages dans l'entrée d'air de refroidissement et autour de l'unité de commande. Si des blocages sont détectés, supprimez-les.
- ▶ Après vérification, redémarrez le moteur.

REMARQUE

Le voyant de surcharge peut s'allumer pendant quelques secondes lors de l'utilisation d'appareils électriques nécessitant un courant de démarrage

important, comme un compresseur ou une pompe submersible. Cependant, il ne s'agit pas d'un dysfonctionnement.

Interrupteurs thermiques

L'interrupteur s'éteint automatiquement lorsque l'appareil électrique connecté au générateur fonctionne et que le courant dépasse les débits nominaux, arrêtant la production d'énergie afin de protéger le générateur et tous les appareils électriques connectés.

Lorsque l'interrupteur thermique est enclenché et que la production d'électricité s'arrête, procédez comme suit :

- ▶ Éteignez tous les appareils électriques connectés et arrêtez le moteur.
- ▶ Réduisez la puissance totale des appareils électriques connectés dans la limite de la puissance nominale.
- ▶ Vérifiez s'il y a des blocages dans l'entrée d'air de refroidissement et autour de l'unité de commande. Si des blocages sont détectés, supprimez-les.
- ▶ Remettez l'interrupteur thermique en place.
- ▶ Après vérification, redémarrez le moteur.

AVERTISSEMENT

Si la protection thermique s'enclenche à nouveau, arrêtez immédiatement d'utiliser l'appareil et consultez le revendeur agréé de notre société.

Contrôle intelligent du moteur (ESC)

- ▶ **ON** : Lorsque l'interrupteur ESC est mis sur "ON", la centrale d'économie contrôle le régime du moteur en fonction de la charge connectée. En conséquence, la consommation de carburant et le bruit sont plus faibles. Utilisez cette fonction uniquement lorsque la charge appliquée au générateur est égale ou inférieure à la moitié de sa puissance de sortie nominale.
- ▶ **OFF** : lorsque l'interrupteur ESC est sur "OFF", le moteur tourne au régime nominal, qu'une charge soit connectée ou non.

AVERTISSEMENT

L'ESC doit être mis sur "OFF" lors de l'utilisation d'appareils électriques qui nécessitent un courant de démarrage important, comme un compresseur d'une pompe submersible, ou lorsque la charge appliquée au générateur est supérieure à la moitié de sa puissance de sortie nominale.

Borne de terre

La borne de terre relie la ligne de terre pour prévenir les chocs électriques. Lorsque l'appareil électrique est mis à la terre, le générateur doit toujours être mis à la terre. Afin d'éviter les chocs électriques dus à des appareils électriques de mauvaise qualité ou à une mauvaise utilisation de l'électricité, le générateur doit être mis à la terre avec un conducteur isolé de bonne qualité.

Pour arrêter la machine :

- ▶ Éteignez et débranchez toutes les charges électriques.

AVERTISSEMENT

Ne jamais démarrer ou arrêter le générateur avec des appareils électriques branchés ou allumés.

- ▶ Laissez le générateur fonctionner à vide pendant plusieurs minutes, pour stabiliser les températures internes du moteur et du générateur.
- ▶ Tourner l'interrupteur principal sur la position "OFF". Le circuit d'allumage est allumé. Le carburant est coupé.

ENTRETIEN ET NETTOYAGE

AVERTISSEMENT

N'effectuez jamais d'entretien ou de nettoyage lorsque l'appareil est en marche. Travaillez toujours sur une unité froide. Avant de nettoyer ou d'effectuer des travaux d'entretien, débranchez le capuchon de la bougie et lisez les instructions correspondantes. Portez toujours des vêtements appropriés et des gants de protection chaque fois que vos mains sont en danger.

Tous les réglages ou opérations d'entretien non décrits dans ce manuel doivent être effectués par votre revendeur ou un centre de service spécialisé avec les connaissances et l'équipement nécessaires pour garantir que le travail est effectué correctement en maintenant le niveau de sécurité d'origine de la machine. Toute opération effectuée dans des centres non agréés ou par des personnes non qualifiées annulera totalement la garantie et toutes les obligations et responsabilités du fabricant.

Gardez tous les écrous et vis bien serrés pour vous assurer que la machine est toujours en bon état de fonctionnement. L'entretien courant est essentiel pour la sécurité et pour maintenir un haut niveau de performance.

AVERTISSEMENT

Ne jamais utiliser la machine avec des pièces usées ou endommagées. Les pièces défectueuses ou usées doivent toujours être remplacées et non réparées. Utilisez uniquement des pièces de rechange d'origine.

CALENDRIER DE MAINTENANCE

IDes articles	La fréquence	Avant chaque utilisation
		Après le 1er mois ou les 20 premières heures de fonctionnement
		Tous les 3 mois ou 50h de fonctionnement
		Tous les 12 mois ou 100 heures de fonctionnement
		Tous les 24 mois ou 250h de fonctionnement

Unité complète	Inspection visuelle	√				
Poignées de contrôle	Vérifier le fonctionnement	√				
Pare-étincelles (si disponible)	Vérifier			√*		
Huile moteur	Chèque-Recharge	√				
	Remplacer		√	√		
Filtre à air	Vérifier	√				
	Nettoyer		√			
	Remplacer			√		
Bougie d'allumage	Vérifier-Ajuster		√		√*	
Conduite de carburant et filtre	Vérifier-Nettoyer **				√*	
Réservoir d'essence	Vérifier-Nettoyer **					√*
Gobelet de dépôt (si disponible)	Nettoyer		√	√		
Le jeu des soupapes	Vérifier-Ajuster **				√	
Chambre de combustion	Vérifier-Nettoyer **					√*

*Ces éléments doivent être remplacés si nécessaire.
 **Ces opérations doivent être effectuées uniquement par un revendeur agréé, disposant des outils appropriés et des compétences mécaniques requises.

HUILE MOTEUR

AVERTISSEMENT

Le contrôle du niveau et la vidange d'huile doivent être effectués sur un sol solide et plat. Le moteur doit être arrêté à tout moment. Si le moteur était en marche, il sera chaud et la procédure doit être effectuée avec soin et précautions nécessaires afin d'éviter tout risque de brûlure.

REMARQUE

Vidanger l'huile utilisée pendant que le moteur est chaud. L'huile chaude s'écoule rapidement et complètement.

Pour vérifier le niveau d'huile :

- Retirez le bouchon de remplissage d'huile (Fig. 10.6) du goulot de remplissage d'huile moteur (Fig. 10.1).
- Vérifiez le niveau d'huile. Le niveau d'huile doit atteindre la lèvre (Fig. 10.7) du goulot de remplissage d'huile. Si nécessaire, ajoutez suffisamment d'huile pour amener le niveau d'huile à la lèvre du goulot de remplissage d'huile, jusqu'au niveau supérieur et non plus bas que le niveau inférieur.
- Repositionner le bouchon de remplissage d'huile et serrer convenablement.

Pour changer l'huile :

- Retirez le bouchon de remplissage d'huile du goulot de remplissage d'huile moteur.
- Placez un récipient approprié (Fig. 10.3) sous l'orifice de vidange d'huile (Fig. 10.2) pour récupérer

l'huile usée.

- Retirez le bouchon de vidange d'huile (Fig. 10.4) et la rondelle (Fig. 10.5) pour permettre à l'huile de s'écouler complètement.
- Repositionner le bouchon de vidange d'huile avec sa rondelle et serrer convenablement.
- Ajouter progressivement suffisamment d'huile pour amener le niveau d'huile jusqu'au rebord du goulot de remplissage d'huile, jusqu'au niveau supérieur et non plus bas que le niveau inférieur.
- Repositionner le bouchon de remplissage d'huile et serrer convenablement.

REMARQUE

Si le moteur fonctionne fréquemment dans des conditions extrêmement poussiéreuses ou dans d'autres conditions difficiles, vidangez l'huile moteur toutes les 25 heures.

AVERTISSEMENT

Faire tourner le moteur avec un faible niveau d'huile causera des dommages au moteur.

FILTRE À AIR

AVERTISSEMENT

Faire fonctionner le moteur sans filtre à air, ou avec un filtre à air endommagé, permettra à la saleté de pénétrer dans le moteur, provoquant une usure rapide du moteur.

Pour vérifier, nettoyer ou changer le filtre à air :

- Retirez le couvercle du filtre à air (Fig. 11.1).
- Assurez-vous que l'élément du filtre à air (Fig. 11.2) est exempt de saleté et en bon état. S'il est sale, retirez-le et nettoyez-le.
- Pour nettoyer un élément de filtre à air en mousse, lavez-le avec un détergent domestique et de l'eau chaude et laissez-le sécher. Ensuite, faites-le tremper dans de l'huile moteur propre et saturée et essorez doucement l'excès d'huile. Si nécessaire, remplacez-le par un neuf.
- Pour nettoyer un élément de filtre à air en papier, nettoyez la saleté légère en le tapotant doucement plusieurs fois sur une surface dure et remplacez-le en cas de saleté importante.
- Nettoyez l'intérieur du boîtier du filtre à air et couvrez-le de la saleté avec un chiffon doux. Si le moteur est équipé d'un filtre à air à bain d'huile, remplacer l'huile par de l'huile moteur neuve.
- Réinstallez l'élément du filtre à air et suivez la procédure inverse pour remettre en place le couvercle du filtre à air.

AVERTISSEMENT

Ne nettoyez jamais le filtre à air avec des détergents inflammables ou à faible point d'éclair pour éviter tout risque d'incendie ou d'explosion.

REMARQUE

Si le moteur fonctionne fréquemment dans des conditions poussiéreuses ou dans d'autres circonstances graves, nettoyez le filtre à air toutes les 10 heures et ajoutez de l'huile neuve. Si nécessaire, changez l'élément du filtre à air toutes les 25 heures.

BOUGIE D'ALLUMAGE

Pour entretenir la bougie (Fig. 12.4) :

- Retirez le capuchon de la bougie (Fig. 12.1) pour accéder à la bougie (Fig. 12.2).
- Utilisez un outil de bougie d'allumage approprié

(Fig. 12.3) pour retirer soigneusement la bougie d'allumage.

3. Vérifier l'état de la bougie et de son électrode. Il doit être propre et non usé. Vérifiez que l'écartement de la bougie est compris entre 0,7 et 0,8 mm. Remplacez la bougie par une neuve, si nécessaire.
4. Vissez soigneusement la bougie d'allumage dans le moteur à la main.
5. Une fois filetée, utilisez l'outil de bougie d'allumage approprié pour serrer la bougie d'allumage, en faisant attention de ne pas utiliser une force excessive endommageant les filets.
6. Remettez le capuchon de la bougie.

AVERTISSEMENT

Ne laissez jamais de la saleté ou des débris pénétrer dans l'alésage du cylindre. Avant de retirer la bougie d'allumage, nettoyez soigneusement la bougie d'allumage et la culasse.

FILTRE À CARBURANT

Le réservoir de carburant peut être équipé d'un filtre (Fig. 13), selon le modèle de motoculteur, situé au niveau du bouchon du réservoir de carburant. Le filtre à carburant peut être retiré et doit être vérifié périodiquement. Si le filtre est sale, nettoyez-le et remplacez-le par un neuf si nécessaire. Si l'intérieur du réservoir de carburant est sale, il peut être nettoyé en rinçant le réservoir de carburant avec de l'essence propre.

NETTOYAGE

Utilisez une petite brosse douce pour nettoyer l'extérieur de l'appareil. N'utilisez pas de détergents puissants. Les nettoyeurs ménagers qui contiennent des huiles aromatiques telles que le pin et le citron et des solvants tels que le kérosène peuvent endommager le boîtier ou la poignée en plastique. Essuyez toute trace d'humidité avec un chiffon doux.

STOCKAGE

AVERTISSEMENT

Ne rangez jamais l'appareil avec du carburant dans le réservoir et laissez toujours l'appareil refroidir avant de le ranger. Rangez l'appareil uniquement dans des zones sèches et bien ventilées.

Si l'unité doit être stockée pendant une période prolongée, utilisez la procédure de stockage suivante :

1. Vidanger tout le carburant du réservoir de carburant.
2. Faites tourner le moteur jusqu'à ce qu'il cale par manque de carburant.
3. Remplacer l'huile moteur par une neuve.
4. Retirez la bougie d'allumage et versez 30 ml d'huile moteur de haute qualité dans le cylindre. Tirez lentement sur la corde du démarreur pour répartir l'huile, puis réinstallez la bougie.
5. Nettoyez soigneusement l'appareil et vérifiez qu'il n'y a pas de pièces desserrées ou endommagées. Réparez ou remplacez les pièces endommagées et serrez les vis, écrous ou boulons desserrés.
6. Lubrifiez toutes les pièces nécessaires avec un

chiffon humide pour éviter l'accumulation de rouille.

PROTECTION ENVIRONNEMENTALE

Recyclez les matières premières au lieu de les jeter comme des déchets. La machine, les accessoires et les emballages doivent être triés pour un recyclage respectueux de l'environnement. Les composants en plastique sont étiquetés pour un recyclage catégorisé.

Jeter l'huile moteur usagée et les bidons d'une manière compatible avec l'environnement. Nous vous suggérons de l'apporter dans un conteneur scellé à votre centre de recyclage local ou à votre station-service pour récupération. Ne le jetez pas à la poubelle, ne le versez pas sur le sol ou ne le versez pas dans un égout.

GARANTIE

Ce produit est garanti conformément aux réglementations légales/spécifiques au pays, en vigueur à compter de la date d'achat par le premier utilisateur. Les dommages imputables à l'usure normale, à une surcharge ou à une mauvaise manipulation seront exclus de la garantie. En cas de réclamation, veuillez envoyer la machine, complètement assemblée, à votre revendeur ou au centre de service officiel.

ITALIANO

AVVERTENZE GENERALI DI SICUREZZA

Leggere e comprendere questo manuale dell'utente prima di utilizzare questo prodotto. Puoi aiutare a prevenire gli incidenti conoscendo i comandi del tuo prodotto e osservando le procedure operative sicure e i segnali di sicurezza. Usa sempre il buon senso per evitare tutte le situazioni considerate al di là delle tue capacità. Non utilizzare quando si è stanchi o sotto l'effetto di droghe, alcol o altri farmaci. Tenere lontani gli astanti e gli animali che potrebbero essere feriti, nonché gli oggetti che potrebbero essere danneggiati durante il funzionamento. Non consentire mai a bambini o persone che non hanno familiarità con queste istruzioni di utilizzare il prodotto. Le leggi locali possono limitare l'età minima dell'operatore. Tenere presente che l'operatore o l'utente è responsabile per incidenti o eventi imprevedibili occorsi ad altre persone, animali o loro proprietà. Non esporre il prodotto a umidità eccessiva, polvere, sporco o vapori corrosivi. Non montare sulla macchina attrezzature o accessori non previsti o approvati dal costruttore. Non tentare mai di modificare il prodotto. Modifiche o accessori non autorizzati possono causare gravi lesioni personali o la morte dell'operatore o di altri. Consultare il proprio rivenditore autorizzato per lo smontaggio e l'assistenza, non trattati in questo manuale. Se qualcosa si rompe o si verifica un incidente durante il lavoro, spegnere immediatamente la macchina e allontanarla per evitare ulteriori danni. Nel caso in cui un corpo estraneo sia entrato nella macchina, fermarla immediatamente, ispezionarla per eventuali danni ed effettuare le riparazioni prima di riavviarla.

ATTREZZATURA DI PROTEZIONE

Assicurarsi di utilizzare dispositivi di protezione appropriati e certificati durante il funzionamento dell'unità. Indossare sempre indumenti che non ostacolino i movimenti, guanti protettivi, occhiali protettivi, semimaschera respiratoria, protezioni per le orecchie e stivali di sicurezza antitaglio con suola antiscivolo. Non indossare mai scarpe, collane o altri accessori e indumenti appesi o svolazzanti che potrebbero impigliarsi nella macchina. Lega i capelli se sono lunghi.

RISCHI DI VELENO

Operare solo all'aperto e in aree ben ventilate. Durante il funzionamento, il motore emette monossido di carbonio velenoso, un gas inodore e incolore. L'inalazione di monossido di carbonio provoca nausea, svenimento o morte. Non utilizzare la macchina in uno spazio ristretto in cui possono svilupparsi pericolosi fumi di monossido di carbonio o vicino a finestre aperte.

Carburante e olio sono estremamente tossici. Non inalare i gas di evaporazione del carburante e indossare sempre adeguati dispositivi di protezione durante la manipolazione. Conservare sempre carburante e olio in contenitori approvati e smaltirli in modo responsabile.

PERICOLI DI INCENDIO E USTIONI

La benzina e l'olio sono infiammabili. Seguire le istruzioni fornite da ciascun produttore prima dell'uso. Tenere sempre lontane potenziali fonti di fuoco o scintille. Non fumare vicino alla macchina o a qualsiasi carburante e olio. Fare rifornimento solo all'aperto, in un'area ben ventilata, a motore spento. Aprire lentamente il serbatoio del carburante per consentire alla pressione all'interno di diminuire gradualmente. Non riempire eccessivamente il serbatoio del carburante. Assicurarsi che ci sia una certa distanza tra il serbatoio della benzina di riserva e l'unità, per evitare pericoli inutili. Assicurarsi che tutto il carburante e l'olio versati siano stati rimossi prima di avviare il motore.

Alcune parti della macchina diventano abbastanza calde da accendere materiali infiammabili. Non utilizzare in aree ad alto rischio di incendio. Non dirigere il silenziatore e quindi i gas di scarico verso materiali infiammabili.

In caso di incendio, utilizzare un estintore appropriato appositamente progettato per incendi di petrolio e benzina.

Alcune parti della macchina diventano sufficientemente calde da causare danni da ustione. Fare attenzione a non toccarli per evitare di scottarsi. Lascia raffreddare la macchina prima di riparla.

CATEGORIA AVVERTENZE DI SICUREZZA

FUNZIONAMENTO SICURO

Tutte le leve di manovra della macchina devono spostarsi facilmente da una posizione all'altra e non devono essere forzate. I cavi elettrici e il cavo candela devono essere in perfette condizioni per evitare la formazione di scintille. Il cappuccio della candela deve essere montato correttamente sulla candela. Le impugnature e i dispositivi di protezione devono essere puliti e asciutti, nonché saldamente fissati alla macchina.

Verificare sempre la presenza di eventuali oggetti che potrebbero ostruire la griglia di aspirazione dell'aria prima di iniziare a lavorare. Una presa d'aria ostruita riduce le prestazioni della macchina e aumenta la temperatura di lavoro del motore, che può causare guasti al motore.

Assicurati di fermare la macchina:

- ▶ Durante il montaggio o la rimozione di accessori.
- ▶ Ogni volta che si lascia la macchina incustodita.
- ▶ Durante il rifornimento.
- ▶ Durante la pulizia o la manutenzione.
- ▶ Quando ci si sposta tra le aree di lavoro.
- ▶ Durante il trasporto.
- ▶ Prima della conservazione.

PERICOLI ELETTRICI

Verificare che le prese elettriche della macchina e i cavi e le spine ad essa collegati siano in buono stato e non usurati. Non utilizzare mai una macchina danneggiata o una macchina con cavi elettrici e spine danneggiati o usurati. Non esporre la macchina e i cavi elettrici all'umidità e non toccarli mai quando sono bagnati. Usa il contatto con il suolo. Non entrare in contatto con superfici messe a ter-

ra o cavi elettrici, per evitare il rischio di scosse elettriche. Non utilizzare il cavo per estrarre la spina dalla presa. Allontanare sempre il cavo di alimentazione dal retro della macchina e proteggerlo da calore, olio e oggetti appuntiti. Quando la macchina deve essere utilizzata all'aperto, utilizzare solo prolunghe destinate all'uso esterno. La sezione di un eventuale cavo di prolunga deve misurare almeno 1,5mm² e il collegamento alla rete deve essere protetto da apposito fusibile.

PERICOLI DA PARTI ROTANTI

Le parti rotanti possono causare gravi lesioni. Evitare il contatto con le parti rotanti quando sono ancora in rotazione.

PERICOLI DI RUMORE E VIBRAZIONI

I livelli di rumore e vibrazione indicati in queste istruzioni sono i livelli massimi per l'uso della macchina. Una manutenzione insufficiente ha un impatto significativo sulle vibrazioni e sulle emissioni sonore. Di conseguenza, è necessario adottare misure preventive per eliminare possibili danni dovuti ad elevati livelli di rumore e stress da vibrazione. Effettuare una buona manutenzione della macchina, indossare dispositivi di protezione dell'udito, guanti antivibranti e fare delle pause durante il lavoro. Durante una giornata lavorativa, è necessario fare pause frequenti e adeguate per evitare danni da vibrazioni e danni alle orecchie.

PERICOLI AREA DI LAVORO

Ispezionare accuratamente l'intera area di lavoro e rimuovere tutto ciò che potrebbe essere fonte di pericolo o causare danni alla macchina. Verificare che non vi siano astanti, animali o oggetti che potrebbero essere danneggiati nel raggio di azione della macchina.

Lavorare solo alla luce del giorno, o con adeguata luce artificiale, in buone condizioni di visibilità. Cerca di non causare disturbi dovuti al rumore, utilizzando questa macchina solo in orari ragionevoli della giornata.

Assumi una posizione ferma ed equilibrata. Ove possibile, evitare di lavorare su terreno bagnato, scivoloso o comunque su terreno accidentato o scosceso che non garantisca stabilità all'operatore o condizioni di buon funzionamento della macchina.

Azionare la macchina in uno spazio libero, lontano da oggetti o pareti circostanti per garantire un funzionamento sicuro e una circolazione d'aria pulita per l'aspirazione.

RISCHI RESTANTI

La macchina è stata costruita utilizzando moderne tecnologie e secondo le norme di sicurezza riconosciute. Anche quando tutte le misure di sicurezza sono in atto, alcuni rischi residui, che non sono ancora evidenti, possono essere presenti. L'operatore deve usare il buon senso e prendere le precauzioni necessarie per evitare i rischi dovuti ai rischi residui.

SPECIFICHE DEL PRODOTTO

USO PREVISTO

Questa macchina è progettata e realizzata per fornire energia elettrica in aree in cui l'alimentazione di rete non è disponibile o inaffidabile. Ogni altro uso diverso da quelli sopra indicati potrebbe essere pericoloso, arrecare danno alle persone e alle cose e alla macchina stessa.

USO IMPROPRIO

La macchina non deve essere utilizzata per alimentare apparecchi diversi da quelli a cui è destinata secondo le sue specifiche.

Altri esempi di uso improprio possono includere, a titolo esemplificativo, il funzionamento della macchina:

- Senza gli accessori originali forniti dal produttore.
- Con accessori originali ma in modo non conforme alle istruzioni.
- Senza ricambi originali.
- Con modifiche non autorizzate.
- Secondo le leggi sulla responsabilità del prodotto applicabili, il produttore del dispositivo non si assume alcuna responsabilità per danni al prodotto o danni causati dal prodotto che si verificano a causa di:
- Utilizzo improprio non rispettato le istruzioni per l'uso.
- Riparazioni da parte di terzi e non da parte di tecnici dell'assistenza autorizzati.
- Installazione di ricambi non originali.
- Uso non previsto.
- Guasto dell'impianto elettrico dovuto al funzionamento della macchina non conforme alle normative elettriche e VDE.

DATI TECNICI PAGINA 18

IDENTIFICAZIONE (FIG. 1-2)

1. Maniglia per il trasporto
2. Tappo serbatoio carburante
3. Pannello di controllo
4. Avviamento a strappo
5. Accesso alla candela
6. Scarico
7. Accesso olio motore
8. Interruttore principale
9. Indicatore olio basso
10. Indicatore di sovraccarico
11. Indicatore di potenza
12. Interruttore di controllo intelligente del motore (ESC).
13. Protezione termica AC
14. Spine di collegamento in parallelo
15. Protezione termica CC
16. Uscita CC (USB).
17. Terminale di terra
18. Uscita CC (carica della batteria).
19. Uscita CA

OPERAZIONE

PREOPERAZIONE

Il disimballaggio e il completamento del montaggio devono essere effettuati su una superficie piana e stabile, con spazio sufficiente per lo spostamento della macchina e del suo imballo, utilizzando sempre attrezzature idonee. L'assemblaggio deve essere eseguito da personale qualificato presso il rivenditore più vicino, ove necessario.

Rifornimento e lubrificazione

AVVERTIMENTO

La macchina viene consegnata senza olio e carburante.

Questo prodotto è dotato di un motore a 4 tempi, il che significa che la benzina deve essere utilizzata nel serbatoio del carburante e il motore deve essere riempito di olio.

Specifiche del carburante: benzina senza piombo o superiore a 90 ottani.

Capacità serbatoio carburante: Fare riferimento alla "TABELLA DATI TECNICI"

Per riempire la macchina di carburante (Fig. 3):

- ▶ Rimuovere il tappo del serbatoio del carburante.
- ▶ Aggiungere carburante al livello superiore del serbatoio del carburante. Lasciare uno spazio minimo di 5 mm tra la parte superiore del carburante e il bordo interno del serbatoio per consentire l'espansione. La metà della lunghezza del filtro del tappo del serbatoio del carburante può funzionare anche come indicatore del livello del carburante superiore, ove disponibile.
- ▶ Riposizionare il tappo del serbatoio del carburante e serrare adeguatamente.

AVVERTIMENTO

Il tappo del serbatoio del carburante è dotato di una manopola di sfiato dell'aria per interrompere il flusso di carburante. La manopola di sfiato dell'aria deve essere ruotata su "ON". Ciò consentirà al carburante di fluire al carburatore e al motore di funzionare. Quando il motore non è in uso, ruotare la manopola di sfiato dell'aria su "OFF" per interrompere il flusso di carburante.

AVVERTIMENTO

Utilizzare sempre contenitori puliti per conservare il carburante e non utilizzare carburante conservato per più di un mese.

Specifiche dell'olio: Per un uso generale (5°C - 38°C) l'olio consigliato è l'olio per motori a 4 tempi SAE 15W40 (Fig. 4).

Capacità olio motore: Fare riferimento alla "TABELLA DATI TECNICI"

Per riempire il motore di olio:

- ▶ Rimuovere il tappo di riempimento olio (Fig. 5.1) dal bocchettone di riempimento olio motore (Fig. 5.2). La parte inferiore è l'indicatore del livello dell'olio.
- ▶ Aggiungere gradualmente abbastanza olio per portare il livello dell'olio al labbro del bocchettone di riempimento dell'olio, fino al livello superiore (Fig. 5.3) e non inferiore al livello inferiore (Fig. 5.4).
- ▶ Riposizionare il tappo di riempimento olio e serrare adeguatamente.

are adeguatamente.

AVVERTIMENTO

Utilizzare un imbuto per evitare di versare carburante o olio. Pulire il carburante e l'olio versati prima di avviare il motore.

Per collegare la batteria (Fig. 6), vale solo per i modelli con avviamento elettrico:

- ▶ Aprire il pannello della batteria.
- ▶ Rimuovere la batteria dalla sua posizione.
- ▶ Collegare il cavo positivo (rosso) al polo positivo della batteria.
- ▶ Collegare il cavo negativo (nero) al polo negativo della batteria.
- ▶ Riposizionare la batteria e il relativo pannello.

AVVIO DELL'UNITÀ

Prima di avviare la macchina:

- ▶ Assicurarsi che tu e la macchina siate su un terreno stabile.
- ▶ Verificare che tutti i dispositivi di fissaggio siano fissati in posizione.
- ▶ Scollegare tutti i carichi elettrici dal generatore. Non avviare o arrestare mai il generatore con i dispositivi elettrici collegati o accesi.
- ▶ Verificare che il filtro dell'aria sia pulito e che l'aspirazione e lo scarico dell'aria non siano ostruiti da corpi estranei.
- ▶ Riempire con la quantità necessaria di olio e carburante.

Per avviare la macchina:

- ▶ Portare l'interruttore ESC su "OFF" (Fig. 1.12).
- ▶ Ruotare la manopola di sfiato aria del serbatoio carburante (Fig. 7) su "ON".
- ▶ Spostare l'interruttore principale (Fig. 8) in posizione "CHOKE".

NOTA

Questo passaggio si applica solo all'avviamento a freddo del motore. Quando il motore è già caldo o la temperatura ambiente è elevata, l'interruttore principale deve rimanere sempre in posizione "ON". Afferrate saldamente la maniglia della macchina con la mano sinistra e la manopola di avviamento (Fig. 9.2) del motore con la mano destra. Tirare la manopola di avviamento finché non si avverte resistenza per innestare il motore, quindi tirare con decisione per avviare il motore.

AVVERTIMENTO

Per evitare la rottura della fune di avviamento (Fig. 9.1), non tirarla per tutta la lunghezza e non farla scorrere lungo il bordo del foro passacavo. Rilasciare gradualmente il motorino di avviamento, per evitare che voli indietro in modo incontrollabile.

NOTA:

Per le macchine con accensione elettrica è invece possibile utilizzare l'interruttore di accensione, premendolo brevemente fino all'avviamento del motore.

Quando il motore si scalda, portare l'interruttore principale in posizione "ON", se il motore è stato avviato a freddo.

NOTA

Per ottenere le massime prestazioni e affidabilità, attendere che il motore si riscaldi prima di funzionare a pieno carico, facendolo funzionare per due o tre minuti al minimo.

FUNZIONAMENTO DELL'UNITÀ

Interruttore principale

- ▶ OFF: Il circuito di accensione è spento e il carburante è spento. Il motore non funzionerà.
- ▶ ON: Il circuito di accensione è acceso, il carburante è acceso e lo starter è acceso. Il motore può funzionare.
- ▶ CHOKE Il circuito di accensione è inserito, il carburante è inserito e l'aria è disinserita. Il motore può avviarsi.

Indicatore di potenza

La spia AC (verde) si accende quando il motore si avvia e produce potenza.

Indicatore olio basso

Quando il livello dell'olio scende al di sotto del livello inferiore, la spia olio (rossa) si accende e quindi il motore si spegne automaticamente. A meno che non si riempia di olio, il motore non si avvia più.

NOTA

Se il motore si arresta o non si avvia, portare l'interruttore del motore su "ON" e quindi tirare l'avviamento a strappo. Se la spia olio lampeggia per alcuni secondi, l'olio motore è insufficiente. Aggiungere olio e riavviare.

Indicatore di sovraccarico

La spia di sovraccarico (rossa) si accende quando viene rilevato un sovraccarico di un dispositivo elettrico collegato, l'unità di controllo dell'inverter si surriscalda o la tensione di uscita CA aumenta. Quindi, il protettore AC scatterà, interrompendo la generazione di energia per proteggere il generatore e tutti i dispositivi elettrici collegati. La spia AC (verde) si spegne e la spia di sovraccarico (rossa) rimane accesa, ma il motore non si ferma. Quando la spia di sovraccarico si accende e la generazione di energia si interrompe, procedere come segue:

- ▶ Spegnere tutti i dispositivi elettrici collegati e spegnere il motore.
- ▶ Ridurre la potenza totale dei dispositivi elettrici collegati entro la potenza nominale.
- ▶ Verificare la presenza di ostruzioni nell'ingresso dell'aria di raffreddamento e intorno all'unità di controllo. Se vengono rilevati blocchi, rimuoverli.
- ▶ Dopo il controllo, riavviare il motore.

NOTA

La spia di sovraccarico può accendersi inizialmente per alcuni secondi quando si utilizzano dispositivi elettrici che richiedono una grande corrente di avviamento, come un compressore o una pompa sommersa. Tuttavia, questo non è un malfunzionamento.

Interruttori termici

L'interruttore scatta automaticamente quando il dispositivo elettrico collegato al generatore è in funzione e la corrente supera i flussi nominali, interrompendo la generazione di energia per proteggere il generatore e tutti i dispositivi elettrici collegati.

Quando l'interruttore termico è inserito e la

generazione di energia si interrompe, procedere come segue:

- ▶ Spegnere tutti i dispositivi elettrici collegati e spegnere il motore.
- ▶ Ridurre la potenza totale dei dispositivi elettrici collegati entro la potenza nominale.
- ▶ Verificare la presenza di ostruzioni nell'ingresso dell'aria di raffreddamento e intorno all'unità di controllo. Se vengono rilevati blocchi, rimuoverli.
- ▶ Riportare l'interruttore termico in posizione.
- ▶ Dopo il controllo, riavviare il motore.

AVVERTIMENTO

Se la protezione termica si riattiva, interrompere immediatamente l'utilizzo del dispositivo e consultare il nostro rivenditore autorizzato dell'azienda.

Controllo intelligente del motore (ESC)

- ▶ ON: Quando l'interruttore ESC è in posizione "ON", la centralina economy controlla il regime del motore, in base al carico collegato. Di conseguenza, il consumo di carburante e il rumore sono inferiori. Utilizzare questa funzione solo quando il carico applicato al generatore è la metà della sua potenza di uscita nominale o inferiore.
- ▶ OFF: Quando l'interruttore ESC è su "OFF", il motore funziona al regime nominale, indipendentemente dal carico collegato o meno.

AVVERTIMENTO

L'ESC deve essere posizionato su "OFF" quando si utilizzano dispositivi elettrici che richiedono una grande corrente di avviamento, come un compressore di una pompa sommersa, o quando il carico applicato al generatore è maggiore della metà della sua potenza nominale.

Terminale di terra

Il terminale di terra collega la linea di terra per la prevenzione di scosse elettriche. Quando il dispositivo elettrico è collegato a terra, il generatore deve essere sempre collegato a terra. Al fine di prevenire scosse elettriche dovute a apparecchi elettrici scadenti o uso errato dell'elettricità, il generatore deve essere collegato a terra con un conduttore isolato di buona qualità.

Per fermare la macchina:

- ▶ Spegnere e scollegare tutti i carichi elettrici.

AVVERTIMENTO

Non avviare o arrestare mai il generatore con i dispositivi elettrici collegati o accesi.

- ▶ Far funzionare il generatore a vuoto per alcuni minuti, per stabilizzare le temperature interne del motore e del generatore.
- ▶ Portare l'interruttore principale in posizione "OFF". Il circuito di accensione è attivato. Il carburante è spento.

MANUTENZIONE E PULIZIA

AVVERTIMENTO

Non eseguire mai la manutenzione o la pulizia con l'unità in funzione. Lavorare sempre su un'unità fresca. Prima di effettuare operazioni di pulizia o manutenzione, scollegare il cappuccio della candela

e leggere le relative istruzioni. Indossare sempre indumenti adeguati e guanti protettivi ogni volta che le mani sono a rischio.

Eventuali regolazioni o operazioni di manutenzione non descritte nel presente manuale devono essere eseguite dal proprio Concessionario o da un Centro di Assistenza specializzato dotato delle conoscenze e delle attrezzature necessarie per garantire che il lavoro venga svolto correttamente mantenendo il livello di sicurezza originale della macchina. Eventuali operazioni eseguite in centri non autorizzati o da persone non qualificate fanno decadere totalmente la Garanzia ed ogni obbligo e responsabilità del Costruttore.

Tenere tutti i dadi e le vite serrati per essere sicuri che la macchina sia sempre in condizioni di lavoro sicure. La manutenzione ordinaria è essenziale per la sicurezza e per mantenere un livello di prestazioni elevato.

AVVERTIMENTO

Non utilizzare mai la macchina con parti usurate o danneggiate. Le parti difettose o usurate devono sempre essere sostituite e non riparate. Utilizzare solo ricambi originali.

PROGRAMMA DI MANUTENZIONE

Elementi		Prima di ogni utilizzo				
		Dopo il 1° mese o le prime 20 ore di funzionamento	Ogni 3 mesi o 50 ore di funzionamento	Ogni 12 mesi o 100 ore di funzionamento	Ogni 24 mesi o 250 ore di funzionamento	
Unità completa	Ispezione visuale	√				
Maniglie di controllo	Controllare il funzionamento	√				
Parascintille (se disponibile)	Dai un'occhiata		√*			
Olio motore	Controllo - Ricarica	√				
	Sostituire		√	√		
Filtro dell'aria	Dai un'occhiata	√				
	Pulire		√			
	Sostituire			√		
Candela	Controlla - Regola		√		√*	
Tubo carburante e filtro	Controlla - Pulisci **			√*		

Serbatoio di carburante	Controlla - Pulisci **					√*
Coppa di deposito (se disponibile)	Pulire		√	√		
Gioco valvole	Controlla - Regola **				√	
Camera di combustione	Controlla - Pulisci **					√*
*Questi articoli devono essere sostituiti se necessario. **Queste operazioni devono essere eseguite solo da rivenditori autorizzati, che dispongano degli strumenti appropriati e della competenza meccanica richiesta.						

OLIO MOTORE AVVERTIMENTO

Il controllo del livello e il cambio dell'olio devono essere effettuati su un terreno solido e piano. Il motore deve essere sempre spento. Se il motore era stato acceso, sarebbe caldo e la procedura deve essere eseguita con cura e precauzioni necessarie per evitare il pericolo di ustioni.

NOTA

Scaricare l'olio usato a motore caldo. L'olio caldo drena rapidamente e completamente.

Per controllare il livello dell'olio:

1. Rimuovere il tappo di riempimento olio (Fig. 10.6) dal bocchettone di riempimento olio motore (Fig. 10.1).
2. Controllare il livello dell'olio. Il livello dell'olio deve raggiungere il labbro (Fig. 10.7) del bocchettone di riempimento dell'olio. Se necessario, aggiungere olio a sufficienza per portare il livello dell'olio al labbro del bocchettone di riempimento olio, fino al livello superiore e non inferiore al livello inferiore.
3. Riposizionare il tappo di riempimento olio e serrare adeguatamente.

Per cambiare l'olio:

1. Rimuovere il tappo di riempimento dell'olio dal bocchettone di riempimento dell'olio motore.
2. Posizionare un contenitore adatto (Fig. 10.3) sotto il foro di scarico dell'olio (Fig. 10.2) per raccogliere l'olio usato.
3. Rimuovere il tappo di scarico dell'olio (Fig. 10.4) e la rondella (Fig. 10.5) per consentire all'olio di defluire completamente.
4. Riposizionare il tappo di scarico olio con la relativa rondella e serrare adeguatamente.
5. Aggiungere gradualmente abbastanza olio per portare il livello dell'olio al labbro del bocchettone di riempimento dell'olio, fino al livello superiore e non inferiore al livello inferiore.
6. Riposizionare il tappo di riempimento olio e serrare adeguatamente.

NOTA

Se il motore funziona frequentemente in condizioni estremamente polverose o in altre circostanze gravi, cambiare l'olio motore ogni 25 ore.

AVVERTIMENTO

Il funzionamento del motore riduce il livello dell'olio provoca danni al motore.

FILTRO DELL'ARIA AVVERTIMENTO

Il funzionamento del motore senza filtro dell'aria, o con un filtro dell'aria danneggiato, consentirà allo sporco di entrare nel motore, causando una rapida usura del motore.

Per controllare, pulire o sostituire il filtro dell'aria:

1. Rimuovere il coperchio del filtro dell'aria (Fig. 11.1).
2. Verificare che l'elemento filtrante dell'aria (Fig. 11.2) sia privo di sporco e in buone condizioni. Se è sporco, rimuoverlo e pulirlo.
3. Per pulire un elemento del filtro dell'aria in schiuma, lavarlo con detersivo per la casa e acqua calda e lasciarlo asciugare. Quindi immergilo in olio motore saturo pulito e strizzalo delicatamente per eliminare l'olio in eccesso. Se necessario, sostituirlo con uno nuovo.
4. Per pulire un elemento del filtro dell'aria in carta, pulire lo sporco leggero applicandolo delicatamente alcune volte su una superficie dura e sostituirlo se è presente sporco pesante.
5. Pulisci l'interno della custodia del filtro dell'aria e coprila dallo sporco con un panno morbido. Se il motore è dotato di un filtro dell'aria del tipo a bagno d'olio, sostituire l'olio con olio motore nuovo.
6. Reinstallare l'elemento del filtro dell'aria e seguire la procedura inversa per riposizionare il coperchio del filtro dell'aria.

AVVERTIMENTO

Non pulire mai il filtro dell'aria con detersivi infiammabili o a basso punto di infiammabilità per evitare il rischio di incendi o esplosioni.

NOTA

Se il motore funziona frequentemente in condizioni polverose o in altre circostanze gravi, pulire il filtro dell'aria ogni 10 ore e rabboccare, cambiarne l'olio con uno nuovo. Se necessario, sostituire l'elemento del filtro dell'aria ogni 25 ore.

CANDELA

Per la manutenzione della candela (Fig. 12.4):

1. Rimuovere il cappuccio della candela (Fig. 12.1) per accedere alla candela (Fig. 12.2).
2. Utilizzare uno strumento appropriato per candele (Fig. 12.3) per rimuovere con cautela la candela.
3. Controllare le condizioni della candela e del suo elettrodo. Deve essere pulito e non indossato. Verificare che la distanza tra le candele sia compresa tra 0,7 e 0,8 mm. Sostituire la candela con una nuova, se necessario.
4. Avvitare a mano con cura la candela nel motore.
5. Una volta filettati, utilizzare l'apposito attrezzo per candele per serrare la candela, facendo attenzione a non usare una forza eccessiva danneggiando le filettature.
6. Riattaccare il cappuccio della candela.

AVVERTIMENTO

Non permettere mai che sporco o detriti entrino nell'alesaggio del cilindro. Prima di rimuovere la candela, pulire a fondo la candela e la zona della testata.

FILTRO DEL CARBURANTE

Il serbatoio del carburante può essere dotato di un filtro (Fig. 13), a seconda del modello di motozappa,

situato in corrispondenza del tappo del serbatoio del carburante. Il filtro del carburante può essere selezionato e deve essere controllato periodicamente. Se il filtro è sporco, pulirlo e sostituirlo con uno nuovo quando necessario. Nel caso in cui l'interno del serbatoio del carburante sia sporco, è possibile pulirlo sciacquando il serbatoio del carburante con benzina pulita.

PULIZIA

Utilizzare una piccola spazzola morbida per pulire l'esterno dell'unità. Non utilizzare detersivi aggressivi. I detersivi per la casa che contengono oli aromatici come pino e limone e solventi come il cherosene possono danneggiare l'alloggiamento o il manico in plastica. Rimuovere l'umidità con un panno morbido.

DEPOSITO AVVERTIMENTO

Non riporre mai l'unità con il carburante nel serbatoio e lasciare sempre raffreddare l'unità prima di riparla. Conservare l'unità solo in luoghi asciutti e ben ventilati.

Nel caso in cui l'unità venga conservata per un periodo di tempo prolungato, utilizzare la seguente procedura di conservazione:

1. Scaricare tutto il carburante dal serbatoio del carburante.
2. Far funzionare il motore finché non si spegne per mancanza di carburante.
3. Sostituire l'olio motore con uno nuovo.
4. Rimuovere la candela e inserire 30 ml di olio motore di alta qualità nel cilindro. Tirare lentamente la fune di avviamento per distribuire l'olio, quindi reinstallare la candela.
5. Pulire accuratamente l'unità e controllare eventuali parti allentate o danneggiate. Riparare o sostituire le parti danneggiate e serrare viti, dadi o bulloni allentati.
6. Lubrificare tutte le parti necessarie con un panno umido d'olio per evitare la formazione di ruggine.

PROTEZIONE AMBIENTALE

Riciclare le materie prime invece di smaltirle come rifiuti. Macchina, accessori e imballaggio devono essere selezionati per un riciclaggio rispettoso dell'ambiente. I componenti in plastica sono etichettati per il riciclaggio classificato.

Smaltire l'olio motore usato e i contenitori in modo compatibile con l'ambiente. Ti consigliamo di portarlo in un contenitore sigillato al centro di riciclaggio locale o alla stazione di servizio per il recupero. Non gettarlo nella spazzatura, non versarlo a terra o versarlo in uno scarico.

GARANZIA

Questo prodotto è garantito in conformità con le normative legali/nazionali specifiche, in vigore dalla data di acquisto da parte del primo utente. Sono esclusi dalla garanzia i danni imputabili a normale usura, sovraccarico o uso improprio. In caso di reclamo, inviare la macchina, completamente assemblata, al proprio rivenditore o al centro di assistenza ufficiale.

ΕΛΛΗΝΙΚΑ

ΓΕΝΙΚΕΣ ΠΡΟΕΙΔΟΠΟΙΗΣΕΙΣ ΑΣΦΑΛΕΙΑΣ

Διαβάστε και κατανοήστε αυτό το εγχειρίδιο κατόπιν προτού θέσετε σε λειτουργία το παρόν μηχάνημα. Μπορείτε να αποφύγετε ατυχήματα αν είστε εξοικειωμένοι με τα χειριστήρια του προϊόντος και τηρώντας τις ασφαλείς διαδικασίες λειτουργίας και τα σήματα ασφαλείας. Χρησιμοποιείτε πάντα κοινή λογική σκέψη ώστε να αποφύγετε να βρεθείτε σε κατάσταση πέρα των δυνατοτήτων σας. Μη χρησιμοποιείτε το προϊόν όταν είστε κουρασμένοι ή υπό την επήρεια ναρκωτικών, αλκοόλ ή άλλων φαρμακευτικών σκευασμάτων. Κρατείστε παρειασμένους και ζώα που θα μπορούσαν να τραυματιστούν, όπως και αντικείμενα που στα οποία θα μπορούσε να προκληθεί βλάβη, μακριά κατά τη λειτουργία του μηχανήματος. Μην επιτρέπετε σε παιδιά ή όσους δεν είναι εξοικειωμένοι με τις οδηγίες χρήσης να χρησιμοποιήσουν το μηχάνημα. Η τοπική νομοθεσία είναι πιθανόν να ορίζει κατώτατη ηλικία χρήστη. Πάντα να θυμάστε πως ο χειριστής ή χρήστης είναι υπεύθυνος για ατυχήματα ή απρόσμενα γεγονότα που τυχόν προκληθούν σε άλλους ανθρώπους, ζώα ή την περιουσία τους. Μην εκθέτετε το προϊόν σε υπερβολική υγρασία, σκόνη, βρωμιά ή διαβρωτικούς ατμούς. Μην προσαρμόζετε στο μηχάνημα εξοπλισμό ή αξεσουάρ που μη εγκεκριμένα από τον κατασκευαστή. Ποτέ μην επιχειρήσετε να τροποποιήσετε το προϊόν. Μην εξουσιοδοτημένες τροποποιήσεις ή αξεσουάρ μπορεί να οδηγήσουν σε σοβαρό τραυματισμό ή θάνατο του χειριστή ή άλλων. Συμβουλευτείτε τον εξουσιοδοτημένο αντιπρόσωπό σας για αποσυρμολόγηση και επισκευή, που δεν καλύπτεται σε αυτό το εγχειρίδιο. Εάν κάτι σπάσει ή συμβεί ατύχημα κατά τη διάρκεια της εργασίας, απενεργοποιήστε αμέσως το μηχάνημα και μετακινήστε το για να αποφύγετε περαιτέρω ζημιά. Σε περίπτωση που ένα ξένο σώμα εισέλθει στο μηχάνημα, σταματήστε το αμέσως, επιθεωρήστε το για τυχόν ζημιές και πραγματοποιήστε επισκευές προτού το ξαναρχίσετε.

ΠΡΟΣΤΑΤΕΥΤΙΚΟΣ ΕΞΟΠΛΙΣΜΟΣ

Να χρησιμοποιείτε πάντα σχετικό και εγκεκριμένο προστατευτικό εξοπλισμό όταν χρησιμοποιείτε το μηχάνημα. Να φοράτε πάντα ρουχισμό που δεν περιορίζει τις κινήσεις σας, προστατευτικά γάντια, γυαλιά, μάσκα αναπνοής, προστατευτικό εξοπλισμό ακοής και μπότες προστασίας με σόλες υψηλής πρόσφυσης. Να μην φοράτε κασκόλ, κολλί ή οποδήποτε αξεσουάρ που κρέμεται ή περισεύει και θα μπορούσε να παγιδευτεί στο μηχάνημα. Μαζέψτε τα μαλλιά σας αν είναι μακριά.

ΚΙΝΔΥΝΟΙ ΔΗΛΗΤΗΡΙΑΣΗΣ

Λειτουργείτε μόνο σε εξωτερικούς και καλά αεριζόμενους χώρους. Όταν λειτουργεί ο κινητήρας, παράγει δηλητηριώδες μονοξειδίο του άνθρακα, ένα άοσμο και άχρωμο αέριο. Η εισπνοή μονοξειδίου του άνθρακα ή την προκαλείτε ναυτία, λιποθυμία ή θάνατο. Μην λειτουργείτε το μηχάνημα σε περιορισμένο χώρο όπου μπορεί να αναπτυ-

χθούν επικίνδυνοι καπνοί μονοξειδίου του άνθρακα ή κοντά σε ανοικτά παράθυρα. Το καύσιμο και το λάδι είναι εξαιρετικά τοξικά. Μην εισπνέετε τις αναθυμιάσεις εξάτμισης του καυσίμου και να φοράτε πάντα κατάλληλο προστατευτικό εξοπλισμό όταν χειρίζεστε. Να αποθηκεύετε πάντα καύσιμο και λάδι σε εγκεκριμένα δοχεία και να απορρίπτετε υπεύθυνα.

ΚΙΝΔΥΝΟΙ ΠΡΟΚΛΗΣΗΣ ΠΥΡΚΑΓΙΑΣ ΚΑΙ ΕΓΚΑΥΜΑΤΟΣ

Το καύσιμο και το λάδι είναι εύφλεκτα. Ακολουθήστε τις οδηγίες που παρέχονται από κάθε κατασκευαστή πριν από τη χρήση. Διατηρείτε πάντα μακριά πιθανές πηγές φωτιάς ή σπινθήρες. Μην καννίζετε κοντά στο μηχανήμα ή κοντά σε καύσιμο και λάδι. Να ανεφοδιάζετε μόνο σε εξωτερικούς, καλά αεριζόμενους χώρους, με τον κινητήρα σβηστό. Ανοίξτε αργά το ρεζερβουάρ καυσίμου για να επιτρέψετε στην πίεση στο εσωτερικό να μειωθεί σταδιακά. Μην γεμίζετε υπερβολικά το ρεζερβουάρ καυσίμου. Βεβαιωθείτε ότι υπάρχει κάποια απόσταση μεταξύ οποιουδήποτε δοχείου αναπλήρωσης καυσίμου και της μονάδας, για να αποφύγετε περριττους κινδύνους. Βεβαιωθείτε ότι έχετε καθαρίσει τυχόν χυμένο καύσιμο και λάδι πριν ξεκινήσετε τον κινητήρα. Ορισμένα μέρη του μηχανήματος θερμαίνονται αρκετά ώστε να αναφλέξουν εύφλεκτα υλικά. Μην το χρησιμοποιείτε σε περιοχές με υψηλό κίνδυνο πυρκαγιάς. Μην κατευθύνετε την έξοδο της εξάτμισης και, ως εκ τούτου, τα καυσαέρια προς εύφλεκτα υλικά.

Σε περίπτωση πυρκαγιάς, χρησιμοποιήστε έναν κατάλληλο πυροσβεστήρα ειδικά σχεδιασμένο για φωτιά λαδιού και καυσίμου.

Ορισμένα μέρη του μηχανήματος ζεσταίνονται αρκετά ώστε να προκαλέσουν εγκαύματα. Προσέξτε να μην τα αγγίξετε για να αποφύγετε να καείτε. Αφήστε το μηχάνημα να κρυώσει πριν το αποθηκεύσετε.

ΠΡΟΕΙΔΟΠΟΙΗΣΕΙΣ ΑΣΦΑΛΕΙΑΣ ΚΑΤΗΓΟΡΙΑΣ

ΑΣΦΑΛΗΣ ΛΕΙΤΟΥΡΓΙΑ

Όλοι οι μοχλοί λειτουργίας του μηχανήματος πρέπει να μετακινούνται εύκολα από τη μια θέση στην άλλη και να μην χρειάζονται πίεση. Τα ηλεκτρικά καλώδια και το καλώδιο του μπουζί πρέπει να είναι σε άριστη κατάσταση για να αποφευχθεί η δημιουργία σπινθήρων. Το καπάκι του μπουζί πρέπει να τοποθετηθεί σωστά στο μπουζί. Οι χειρολαβές και οι προστατευτικές συσκευές πρέπει να είναι καθαρές και στεγνές καθώς και καλά στερεωμένες στο μηχανήμα.

Πάντα να ελέγχετε για αντικείμενα που ενδέχεται να μπλοκάρουν την εισαγωγή αέρα πριν αρχίσετε να εργάζεστε. Μια φραγμένη εισαγωγή αέρα μειώνει την απόδοση του μηχανήματος και αυξάνει τη θερμοκρασία λειτουργίας του κινητήρα, η οποία μπορεί να οδηγήσει σε βλάβη του κινητήρα.

Βεβαιωθείτε ότι έχετε σταματήσει το μηχάνημα:

- ▶ Όταν προσαρμόζετε ή αφαιρείτε αξεσουάρ.
- ▶ Όποτε αφήνετε το μηχάνημα χωρίς επίβλεψη.
- ▶ Κατά τον ανεφοδιασμό.

- ▶ Κατά τον καθαρισμό ή τη συντήρηση.
- ▶ Όταν μετακινείτε μεταξύ θέσεων εργασίας.
- ▶ Κατά την μεταφορά.
- ▶ Πριν την αποθήκευση.

ΚΙΝΔΥΝΟΙ ΗΛΕΚΤΡΙΣΜΟΥ

Βεβαιωθείτε ότι οι ηλεκτρικές πρίζες του μηχανήματος και τα καλώδια και τα βύσματα που είναι συνδεδεμένα σε αυτό είναι σε καλή κατάσταση και δεν έχουν φθαρεί. Ποτέ μη χρησιμοποιείτε κατεστραμμένο μηχανήμα ή μηχανήμα με κατεστραμμένα ή φθαρμένα ηλεκτρικά καλώδια και βύσματα. Μην εκθέτετε το μηχανήμα και τα ηλεκτρικά καλώδια σε υγρές συνθήκες και μην αγγίζετε ποτέ όταν είναι υγρά. Χρησιμοποιήστε την επαφή γείωσης. Μην έρθετε σε επαφή με γειωμένες επιφάνειες ή ηλεκτρικά καλώδια, για να αποφύγετε τον κίνδυνο ηλεκτροπληξίας. Μην χρησιμοποιείτε το καλώδιο για να τραβήξετε το φις από την πρίζα. Απομακρύνετε πάντα το καλώδιο τροφοδοσίας από το πίσω μέρος του μηχανήματος και προστατέψτε το από θερμότητα, λάδια και αιχμηρά αντικείμενα. Όταν το μηχανήμα πρόκειται να χρησιμοποιηθεί σε εξωτερικό χώρο, χρησιμοποιήστε μόνο καλώδια επέκτασης που προορίζονται για εξωτερική χρήση. Η διατομή οποιουδήποτε καλωδίου επέκτασης πρέπει να είναι τουλάχιστον 1,5 mm² και η σύνδεση του δικτύου πρέπει να προστατεύεται με κατάλληλη ασφάλεια.

ΚΙΝΔΥΝΟΙ ΠΕΡΙΣΤΡΕΦΟΜΕΝΩΝ ΜΕΡΩΝ

Τα περιστρεφόμενα μέρη μπορεί να προκαλέσουν σοβαρό τραυματισμό. Αποφύγετε να έρθετε σε επαφή με τα περιστρεφόμενα μέρη όταν βρίσκονται ακόμη σε περιστροφή.

ΚΙΝΔΥΝΟΙ ΘΟΡΥΒΟΥ ΚΑΙ ΔΟΝΗΣΕΩΝ

Τα επίπεδα θορύβου και δονήσεων που αναφέρονται στις οδηγίες χρήσης είναι τα μέγιστα για τη χρήση του μηχανήματος. Μη επαρκής συντήρηση έχει σημαντικό αντίκτυπο στις εκπεμπόμενες δονήσεις και στο θόρυβο. Επομένως, είναι απαραίτητο να λαμβάνετε προληπτικά μέτρα για να εξαλείψετε πιθανό κίνδυνο λόγω υψηλού επιπέδου δονήσεων ή θορύβου. Να διατηρείται το μηχανήμα σε καλή κατάσταση, να φοράτε προστασία ακοής, γάντια προστασίας από τις δονήσεις και να κάνετε διαλείμματα κατά την εργασία. Κατά τη διάρκεια μιας μέρας εργασίας, θα πρέπει να κάνετε συχνά και επαρκή διαλείμματα για να αποφύγετε τυχόν ζημιά λόγω δονήσεων και βλάβη ακοής.

ΚΙΝΔΥΝΟΙ ΣΧΕΤΙΚΟΙ ΜΕ ΤΗΝ ΠΕΡΙΟΧΗ ΕΡΓΑΣΙΑΣ

Επιθεωρήστε σχολαστικά ολόκληρη την περιοχή εργασίας και αφαιρέστε οτιδήποτε μπορεί να είναι επικίνδυνη πηγή ή να προκαλέσει ζημιά στο μηχανήμα. Βεβαιωθείτε ότι δεν υπάρχουν περιστασιακοί, ζώα ή αντικείμενα που θα μπορούσαν να τραυματιστούν εντός του εύρους δράσης του μηχανήματος.

Εργαστείτε μόνο κατά τη διάρκεια της ημέρας ή με καλό τεχνητό φως σε καλές συνθήκες ορατότητας. Προσπαθήστε να μην προκαλέσετε αναταραχή λόγω θορύβου, χρησιμοποιώντας το μηχανήμα μόνο σε λογικές ώρες της ημέρας.

Διατηρείτε γερή και καλή ισορροπία θέσης εργασίας. Όπου είναι δυνατόν, αποφύγετε να εργάζεστε σε υγρό, ολισθηρό έδαφος ή σε κάθε περίπτωση σε ανώμαλο ή απότομο έδαφος που δεν εγγυάται σταθερότητα για τον χειριστή.

Λειτουργήστε το μηχανήμα σε ελεύθερο χώρο, μακριά από γύρω αντικείμενα ή τοίχους για να εγγυηθείτε την ασφαλή λειτουργία και την κυκλοφορία καθαρού αέρα για την εισαγωγή.

ΕΝΑΠΟΜΕΙΝΑΝΤΕΣ ΚΙΝΔΥΝΟΙ

Το μηχανήμα κατασκευάστηκε χρησιμοποιώντας σύγχρονη τεχνολογία και σύμφωνα με αναγνωρισμένους κανόνες ασφαλείας. Ακόμη και όταν εφαρμόζονται όλα τα μέτρα ασφαλείας, ενδέχεται να υπάρχουν ορισμένοι εναπομείναντες κίνδυνοι, οι οποίοι δεν είναι ακόμη εμφανείς. Ο χειριστής πρέπει να χρησιμοποιεί την κοινή λογική και να λαμβάνει τις απαραίτητες προφυλάξεις για να αποφύγει τον κίνδυνο λόγω τυχόν εναπομεινάντων κινδύνων.

ΠΡΟΔΙΑΓΡΑΦΕΣ ΠΡΟΪΟΝΤΟΣ

ΠΡΟΒΛΕΠΟΜΕΝΗ ΧΡΗΣΗ

Αυτό το μηχανήμα έχει σχεδιαστεί και κατασκευαστεί για να παρέχει ηλεκτρική ενέργεια σε περιοχές όπου η ηλεκτρική ενέργεια δεν είναι διαθέσιμη ή δεν είναι αξιόπιστη.

Κάθε διαφορετική χρήση από τις παραπάνω αναφερόμενες θα μπορούσε να είναι επικίνδυνη, να προκαλέσει βλάβη σε ανθρώπους ή/και ζημιά σε υλικά και το μηχανήμα.

ΜΗ ΠΡΟΒΛΕΠΟΜΕΝΗ ΧΡΗΣΗ

Το μηχανήμα δεν πρέπει να χρησιμοποιείται για την τροφοδοσία άλλων συσκευών από αυτές που προορίζονται σύμφωνα με τις προδιαγραφές του. Άλλα παραδείγματα μη προβλεπόμενης χρήσης μπορεί να περιλαμβάνουν, αλλά δεν περιορίζονται στη χρήση του μηχανήματος:

- ▶ Χωρίς γνήσια εξαρτήματα που παρέχονται από τον κατασκευαστή.
- ▶ Με γνήσια εξαρτήματα αλλά με τρόπο που δεν είναι σύμφωνος με τις οδηγίες.
- ▶ Χωρίς γνήσια ανταλλακτικά.
- ▶ Με μη εξουσιοδοτημένες τροποποιήσεις.
- ▶ Σύμφωνα με τους ισχύοντες νόμους περί ευθύνης προϊόντος, ο κατασκευαστής της συσκευής δεν αναλαμβάνει ευθύνη για ζημιές στο προϊόν ή ζημιές που προκλήθηκαν από το προϊόν που οφείλονται σε:
- ▶ Λανθασμένο χειρισμό μη σύμφωνο με τις οδηγίες χρήσης.
- ▶ Επισκευές από τρίτους και όχι από εξουσιοδοτημένους τεχνικούς σέρβις.
- ▶ Εγκατάσταση μη γνήσιων ανταλλακτικών.
- ▶ Μη προβλεπόμενη χρήση.
- ▶ Βλάβη ηλεκτρικού συστήματος λόγω λειτουργίας του μηχανήματος κατά τρόπο που δεν συμμορφώνεται με τους ηλεκτρικούς κανονισμούς VDE και DIN.

ΤΑΥΤΟΠΟΙΗΣΗ ΜΕΡΩΝ

1. Λαβή μεταφοράς
2. Τάπα δοχείου καυσίμου
3. Πίνακας ελέγχου
4. Χειρόμυζα
5. Πρόσβαση σε μπουζί
6. Εξάτμιση
7. Πρόσβαση σε λάδι κινητήρα
8. Κεντρικός διακόπτης
9. Ένδειξη χαμηλής στάθμης λαδιού
10. Ένδειξη υπερφόρτωσης
11. Ένδειξη ισχύος εξόδου
12. Διακόπτης έξυπνου ελέγχου κινητήρα (ESC)
13. Θερμικό προστασίας AC
14. Εξόδοι παράλληλης σύνδεσης
15. Θερμικό προστασίας DC
16. Έξοδος DC (USB)
17. Θέση γείωσης
18. Έξοδος DC (Φόρτιση μπαταρίας)
19. Έξοδος AC

ΛΕΙΤΟΥΡΓΙΑ

ΠΡΟΕΤΟΙΜΑΖΟΝΤΑΣ ΤΟ ΜΗΧΑΝΗΜΑ

Η αποσυσκευασία και η συναρμολόγηση πρέπει να γίνονται σε επίπεδη και σταθερή επιφάνεια, με επαρκή χώρο για τη μετακίνηση του μηχανήματος και της συσκευασίας του και με τη χρήση κατάλληλου εξοπλισμού. Η συναρμολόγηση θα πρέπει να γίνεται από εκπαιδευμένο προσωπικό στον κοντινότερο σε εσάς αντιπρόσωπο, όπου απαιτείται.

Πλήρωση καυσίμου και λιπαντικού

ΠΡΟΕΙΔΟΠΟΙΗΣΗ

Το μηχανήμα παραδίδεται χωρίς λάδι και καύσιμο.

Το παρόν προϊόν είναι εξοπλισμένο με 4-χρονο κινητήρα που σημαίνει πως πρέπει να χρησιμοποιηθεί βενζίνη στο δοχείο καυσίμου και πως ο κινητήρας πρέπει να γεμίσει με λάδι.

Προδιαγραφές καυσίμου: Αμόλυβδη βενζίνη 90 και πλεόν οκτανίων

Χωρητικότητα δοχείου καυσίμου: Όπως αναφέρεται στο "ΠΙΝΑΚΑΣ ΤΕΧΝΙΚΩΝ ΧΑΡΑΚΤΗΡΙΣΤΙΚΩΝ"

Για να γεμίσετε τον κινητήρα με καύσιμο (Εικ. 3):

- ▶ Αφαιρέστε την τάπα του δοχείου καυσίμου.
- ▶ Προσθέστε καύσιμο μέχρι το άνω επίπεδο του ρεζερβουάρ καυσίμου. Αφήστε τουλάχιστον 5mm χώρο μεταξύ της κορυφής του καυσίμου και του εσωτερικού άκρου του ρεζερβουάρ για να επιτρέψετε τυχόν διαστολή. Το μισό μήκος του φίλτρου της τάπας καυσίμου μπορεί επίσης να λειτουργήσει ως ένδειξη ανώτατης στάθμης καυσίμου, όπου υπάρχει.
- ▶ Τοποθετήστε την τάπα του δοχείου καυσίμου πίσω στη θέση της και σφίξτε επαρκώς.

ΠΡΟΕΙΔΟΠΟΙΗΣΗ

Η τάπα του ρεζερβουάρ καυσίμου παρέχεται με ένα κουμπί εξαερισμού για να σταματήσει τη ροή του καυσίμου. Το κουμπί εξαερισμού πρέπει να είναι γυρισμένο στη θέση «ON». Αυτό θα επιτρέψει στο καύσιμο να ρέει στο καρμπυρατέρ και στον κινητήρα να λειτουργεί. Όταν ο κινητήρας δεν χρησιμοποιείται, γυρίστε το κουμπί εξαερισμού στο «OFF» για να σταματήσετε τη ροή του καυσίμου.

ΠΡΟΕΙΔΟΠΟΙΗΣΗ

Να χρησιμοποιείτε πάντοτε καθαρό δοχείο για την

αποθήκευση επιπλέον καυσίμου και να μη χρησιμοποιείτε καύσιμο που έχει αποθηκευτεί για περισσότερο του ενός μηνός.

Προδιαγραφές λαδιού: Για γενική χρήση (5°C - 38°C) συνιστάται να χρησιμοποιείτε λάδι SAE 15W-40 (Εικ. 4).

Χωρητικότητα κινητήρα σε λάδι: Όπως αναφέρεται στο "ΠΙΝΑΚΑΣ ΤΕΧΝΙΚΩΝ ΧΑΡΑΚΤΗΡΙΣΤΙΚΩΝ"

Για να γεμίσετε τον κινητήρα με λάδι:

- ▶ Αφαιρέστε την τάπα πλήρωσης λαδιού (Εικ. 5.1) από το λαίμο πλήρωσης λαδιού κινητήρα (Εικ. 5.2). Το κάτω μέρος της είναι ο δείκτης στάθμης λαδιού.
- ▶ Προσθέστε σταδιακά αρκετό λάδι για να φέρετε τη στάθμη λαδιού στο χείλος του λαίμου πλήρωσης λαδιού, μέχρι το ανώτερο επίπεδο (Εικ. 5.3) και όχι χαμηλότερα από το χαμηλότερο επίπεδο (Εικ. 5.4).
- ▶ Επανατοποθετήστε την τάπα πλήρωσης λαδιού και σφίξτε κατάλληλα.

ΠΡΟΕΙΔΟΠΟΙΗΣΗ

Να χρησιμοποιείτε χωνί για να αποφύγετε να χυθεί το καύσιμο ή το λάδι. Σκουπίστε τυχόν χυμένα καύσιμα και λάδια πριν ξεκινήσετε τον κινητήρα.

Για τη σύνδεση της μπαταρίας (Εικ. 6), ισχύει μόνο για μοντέλα με ηλεκτρική εκκίνηση:

- ▶ Ανοίξτε το πλαίσιο της μπαταρίας.
- ▶ Αφαιρέστε την μπαταρία από τη θέση της.
- ▶ Συνδέστε το θετικό (κόκκινο) καλώδιο στον θετικό πόλο της μπαταρίας.
- ▶ Συνδέστε το θετικό (μαύρο) αρνητικό στον αρνητικό πόλο της μπαταρίας.
- ▶ Επανατοποθετήστε την μπαταρία και το πάνελ της.

ΕΚΚΙΝΩΝΤΑΣ ΤΟ ΜΗΧΑΝΗΜΑ

Προτού εκκινήσετε το μηχανήμα:

- ▶ Βεβαιωθείτε ότι τόσο το μηχανήμα όσο και εσείς είστε σε σταθερό έδαφος.
 - ▶ Ελέγξτε πως όλα τα στοιχεία σύσφιξης είναι ασφαλισμένα στις θέσεις τους.
 - ▶ Αποσυνδέστε όλα τα ηλεκτρικά φορτία από τη γεννήτρια. Ποτέ μην ξεκινάτε ή σταματάτε τη γεννήτρια με ηλεκτρικές συσκευές συνδεδεμένες ή ενεργοποιημένες.
 - ▶ Ελέγξτε πως το φίλτρο αέρα είναι καθαρό και πως η εισαγωγή αέρα και η εξάτμιση δεν είναι κλειστές από τυχόν ξένα σώματα.
 - ▶ Γεμίστε με την απαιτούμενη ποσότητα λαδιού και καυσίμου.
- Για να ξεκινήσετε το μηχανήμα:
- ▶ Γυρίστε το διακόπτη ESC στη θέση «OFF» (Εικ. 1.12).
 - ▶ Γυρίστε το κουμπί εξαερισμού του ρεζερβουάρ καυσίμου (Εικ. 7) στη θέση «ON».
 - ▶ Μετακινήστε τον κεντρικό διακόπτη (Εικ. 8) στη θέση «CHOKE».

ΣΗΜΕΙΩΣΗ

Αυτό το βήμα ισχύει μόνο για κρύα εκκίνηση του κινητήρα. Όταν ο κινητήρας είναι ήδη ζεστός ή η θερμοκρασία περιβάλλοντος είναι υψηλή, ο μοχλός τσοκ πρέπει να βρίσκεται πάντα στη θέση "OFF".

Πιάστε σταθερά τη λαβή του μηχανήματος με το αριστερό σας χέρι και τη χειρόμυζα του κινητήρα (Εικ. 10.2) με το δεξί σας χέρι. Τραβήξτε τη χειρόμυζα έως

ότου αισθανθείτε αντίσταση για να φέρετε τον κινητήρα σε συμπίεση και μετά τραβήξτε δυναμικά για να εκκινήσετε τον κινητήρα.

ΠΡΟΕΙΔΟΠΟΙΗΣΗ

Για να μην σπάσετε το σχοινί της μίζας (Εικ. 10.1), μην χρησιμοποιείτε ολόκληρο το μήκος του ή το αφήνετε να γλιστρήσει κατά μήκος της άκρης της οπής οδηγού του. Απελευθερώστε σταδιακά τη χειρόμυζα, για να αποφύγετε να επιστρέψει στην θέση του ανεξέλεγκτα.

ΣΗΜΕΙΩΣΗ

Για μηχανήματα με ηλεκτρική ανάφλεξη, μπορείτε να χρησιμοποιήσετε τον διακόπτη ανάφλεξης, πιέζοντας τον για λίγο μέχρι να ξεκινήσει ο κινητήρας. Καθώς ο κινητήρας ζεσταίνεται, μετακινήστε τον κεντρικό διακόπτη στη θέση «ON», εάν ο κινητήρας εκκινούσε κρύα.

ΣΗΜΕΙΩΣΗ

Για μέγιστη απόδοση και αξιοπιστία, αφήστε τον κινητήρα να ζεσταθεί πριν από τη λειτουργία. Λειτουργήστε τον κινητήρα για δύο έως τρία λεπτά με ταχύτητα ρελαντί.

ΛΕΙΤΟΥΡΓΩΝΤΑΣ ΤΟ ΜΗΧΑΝΗΜΑ

Κεντρικός διακόπτης

- ▶ OFF: Το κύκλωμα ανάφλεξης είναι απενεργοποιημένο και το καύσιμο είναι απενεργοποιημένο. Ο κινητήρας δεν θα λειτουργήσει.
- ▶ ON: Το κύκλωμα ανάφλεξης είναι ενεργοποιημένο, το καύσιμο είναι ενεργοποιημένο και το τσοκ είναι ενεργοποιημένο. Ο κινητήρας μπορεί να λειτουργήσει.
- ▶ CHOKE Το κύκλωμα ανάφλεξης είναι ενεργοποιημένο, το καύσιμο είναι ενεργοποιημένο και το τσοκ είναι απενεργοποιημένο. Ο κινητήρας μπορεί να ξεκινήσει.

Ένδειξη ισχύος εξόδου

Η λυχνία AC (πράσινο) ανάβει όταν ο κινητήρας ξεκινά και παράγει ισχύ.

Ένδειξη χαμηλής στάθμης λαδιού

Όταν η στάθμη λαδιού πέσει κάτω από την κάτω στάθμη, ανάβει η προειδοποιητική λυχνία λαδιού (Κόκκινη) και στη συνέχεια ο κινητήρας σταματά αυτόματα. Αν δεν ξαναγεμίσετε με λάδι, ο κινητήρας δεν θα ξεκινήσει ξανά.

ΣΗΜΕΙΩΣΗ

Εάν ο κινητήρας σταματήσει ή δεν ξεκινά, γυρίστε τον διακόπτη του κινητήρα στο "ON" και στη συνέχεια τραβήξτε τη μίζα ανάκρουσης. Εάν η προειδοποιητική λυχνία λαδιού τρεμοπαίζει για μερικά δευτερόλεπτα, το λάδι κινητήρα είναι ανεπαρκές. Προσθέστε λάδι και ξαναξεκινήστε.

Ένδειξη υπερφόρτωσης

Η ενδεικτική λυχνία υπερφόρτωσης (Κόκκινη) ανάβει όταν ανιχνευτεί υπερφόρτωση μιας συνδεδεμένης ηλεκτρικής συσκευής, υπερθερμανθεί η μονάδα ελέγχου μετατροπής ή ανέβει η τάση εξόδου AC. Στη συνέχεια, το προστατευτικό εναλλασσόμενου ρεύματος θα απενεργοποιηθεί, διακόπτοντας την παραγωγή ενέργειας για να προστατεύσει τη γεννήτρια και τυχόν συνδεδεμένες ηλεκτρικές συσκευές. Η ενδεικτική λυχνία

AC (Πράσινη) θα σβήσει και η ενδεικτική λυχνία υπερφόρτωσης (Κόκκινη) θα παραμείνει αναμμένη, αλλά ο κινητήρας δεν θα σταματήσει να λειτουργεί.

Όταν ανάψει η ενδεικτική λυχνία υπερφόρτωσης και σταματήσει η παραγωγή ρεύματος, προχωρήστε ως εξής:

- ▶ Σβήστε όλες τις συνδεδεμένες ηλεκτρικές συσκευές και σταματήστε τον κινητήρα.
- ▶ Μειώστε τη συνολική ισχύ των συνδεδεμένων ηλεκτρικών συσκευών εντός της ονομαστικής ισχύος.
- ▶ Ελέγξτε για φραγμούς στην είσοδο αέρα ψύξης και γύρω από τη μονάδα ελέγχου. Εάν εντοπιστούν τυχόν μπλοκαρίσματα, αφαιρέστε τα.
- ▶ Μετά τον έλεγχο, επανεκκινήστε τον κινητήρα.

ΣΗΜΕΙΩΣΗ

Η ενδεικτική λυχνία υπερφόρτωσης μπορεί να ανάψει για λίγα δευτερόλεπτα στην αρχή όταν χρησιμοποιείτε ηλεκτρικές συσκευές που απαιτούν μεγάλο ρεύμα εκκίνησης, όπως συμπιεστή ή υποβρύχια αντλία. Ωστόσο, δεν πρόκειται για δυσλειτουργία.

Θερμικό προστασίας

Ο διακόπτης βγαίνει αυτόματα όταν η ηλεκτρική συσκευή που είναι συνδεδεμένη στη γεννήτρια λειτουργεί και το ρεύμα υπερβαίνει τις ονομαστικές ροές, σταματώντας την παραγωγή ρεύματος για την προστασία της γεννήτριας και τυχόν συνδεδεμένων ηλεκτρικών συσκευών.

Όταν ο θερμικός διακόπτης είναι ενεργοποιημένος και η παραγωγή ρεύματος σταματήσει, προχωρήστε ως εξής:

- ▶ Σβήστε όλες τις συνδεδεμένες ηλεκτρικές συσκευές και σταματήστε τον κινητήρα.
- ▶ Reduce the total wattage of connected electric devices within the rated output.
- ▶ Ελέγξτε για φραγμούς στην είσοδο αέρα ψύξης και γύρω από τη μονάδα ελέγχου. Εάν εντοπιστούν τυχόν μπλοκαρίσματα, αφαιρέστε τα.
- ▶ Σπρώξτε τον θερμικό διακόπτη ξανά στη θέση του.
- ▶ Μετά τον έλεγχο, επανεκκινήστε τον κινητήρα.

ΠΡΟΕΙΔΟΠΟΙΗΣΗ

Εάν η θερμική προστασία ενεργοποιηθεί ξανά, σταματήστε να χρησιμοποιείτε τη συσκευή αμέσως και συμβουλευτείτε τον εξουσιοδοτημένο αντιπρόσωπο της εταιρείας μας.

Έξυπνος έλεγχος κινητήρα (ESC)

▶ ON: Όταν ο διακόπτης ESC είναι ενεργοποιημένος, η μονάδα ελέγχου οικονομίας ελέγχει τις στροφές του κινητήρα, σύμφωνα με το συνδεδεμένο φορτίο. Ως αποτέλεσμα αυτού, η κατανάλωση καυσίμου και ο θόρυβος είναι χαμηλότερες. Χρησιμοποιήστε αυτή τη λειτουργία μόνο όταν το φορτίο που εφαρμόζεται στη γεννήτρια είναι το μισό της ονομαστικής ισχύος εξόδου ή χαμηλότερο.

▶ OFF: Όταν ο διακόπτης ESC είναι γυρισμένος στο "OFF", ο κινητήρας λειτουργεί στις ονομαστικές στροφές, ανεξάρτητα από το φορτίο που έχει συνδεθεί ή όχι.

ΠΡΟΕΙΔΟΠΟΙΗΣΗ

Το ESC πρέπει να είναι απενεργοποιημένο όταν

χρησιμοποιείτε ηλεκτρικές συσκευές που απαιτούν μεγάλο ρεύμα εκκίνησης, όπως συμπιεστή υποβρύχιας αντλίας, ή όταν το φορτίο που εφαρμόζεται στη γεννήτρια είναι μεγαλύτερο από το μισό της ονομαστικής ισχύος εξόδου.

Θέση γείωσης

Ο ακροδέκτης γείωσης συνδέει τη γραμμή γείωσης για αποφυγή ηλεκτροπληξίας. Όταν η ηλεκτρική συσκευή είναι γειωμένη, η γεννήτρια πρέπει πάντα να είναι γειωμένη. Προκειμένου να αποφευχθεί η ηλεκτροπληξία λόγω κακής ποιότητας ηλεκτρικών συσκευών ή λανθασμένης χρήσης ηλεκτρικής ενέργειας, η γεννήτρια πρέπει να είναι γειωμένη με καλής ποιότητας μονωμένο αγωγό.

Για να σταματήσετε το μηχάνημα:

- ▶ Απενεργοποιήστε και αποσυνδέστε όλα τα ηλεκτρικά φορτία.

ΠΡΟΕΙΔΟΠΟΙΗΣΗ

Ποτέ μην ξεκινάτε ή σταματάτε τη γεννήτρια με ηλεκτρικές συσκευές συνδεδεμένες ή ενεργοποιημένες.

- ▶ Αφήστε τη γεννήτρια να λειτουργήσει χωρίς φορτίο για αρκετά λεπτά, για να σταθεροποιηθούν οι εσωτερικές θερμοκρασίες του κινητήρα και της γεννήτριας.

- ▶ Γυρίστε τον κεντρικό διακόπτη στη θέση «OFF». Το κύκλωμα ανάφλεξης είναι ενεργοποιημένο. Το καύσιμο είναι απενεργοποιημένο.

ΣΥΝΤΗΡΗΣΗ ΚΑΙ ΚΑΘΑΡΙΣΜΟΣ

ΠΡΟΕΙΔΟΠΟΙΗΣΗ

Μην κάνετε ποτέ συντήρηση ή καθαρισμό με το μηχάνημα σε λειτουργία. Να εργάζεστε πάντα σε κρύο μηχάνημα. Πριν καθαρίσετε ή εκτελέσετε εργασίες συντήρησης, αποσυνδέστε το μπουζί και διαβάστε τις σχετικές οδηγίες. Φοράτε κατάλληλα ρούχα και προστατευτικά γάντια όποτε κινδυνεύουν τα χέρια σας.

Τυχόν προσαρμογές ή εργασίες συντήρησης που δεν περιγράφονται σε αυτό το εγχειρίδιο πρέπει να εκτελούνται από τον αντιπρόσωπό σας ή ένα εξειδικευμένο κέντρο σέρβις με τις απαραίτητες γνώσεις και εξοπλισμό για να διασφαλιστεί ότι η εργασία γίνεται σωστά διατηρώντας το αρχικό επίπεδο ασφάλειας του μηχανήματος. Τυχόν εργασίες που εκτελούνται σε μη εξουσιοδοτημένα κέντρα ή από μη εξουσιοδοτημένα άτομα θα ακυρώσουν πλήρως την εγγύηση και όλες τις υποχρεώσεις και ευθύνες του κατασκευαστή.

Διατηρείτε όλα τα παξιμάδια και τις βίδες σφικτά για να βεβαιωθείτε ότι το μηχάνημα είναι πάντα σε ασφαλή κατάσταση λειτουργίας. Η τακτική συντήρηση είναι απαραίτητη για την ασφάλεια και για τη διατήρηση υψηλού επιπέδου επιδόσεων.

ΠΡΟΕΙΔΟΠΟΙΗΣΗ

Μη χρησιμοποιείτε ποτέ το μηχάνημα με φθαρμένα ή κατεστραμμένα μέρη. Τα ελαττωματικά ή φθαρμένα εξαρτήματα πρέπει πάντα να αντικαθίστανται και να μην επισκευάζονται. Χρησιμοποιείτε μόνο γνήσια ανταλλακτικά.

ΠΡΟΓΡΑΜΜΑ ΣΥΝΤΗΡΗΣΗΣ

Εργασία	Συχνότητα	Πριν από κάθε χρήση	Μετά τον 1ο μήνα ή τις πρώτες 20 ώρες χρήσης	Κάθε 3 μήνες ή 50 ώρες χρήσης	Κάθε 12 μήνες ή 100 ώρες χρήσης	Κάθε 24 μήνες ή 250 ώρες χρήσης
Μηχάνημα	Ελέγξτε οπτικά	✓				
Χειριστήρια	Ελέγξτε λειτουργία	✓				
Σπινθηριστής (αν διατίθεται)	Καθαρίστε			✓*		
Λάδι κινητήρα	Ελέγξτε-Συμπληρώστε	✓				
	Αντικαταστήστε		✓	✓		
Φίλτρο αέρα	Ελέγξτε	✓				
	Καθαρίστε		✓			
	Αντικαταστήστε			✓		
Μπουζί	Ελέγξτε-Προσαρμόστε		✓		✓*	
Σωλήνες και φίλτρο καυσίμου	Ελέγξτε-Καθαρίστε **				✓*	
Ντεπόζιτο καυσίμου	Ελέγξτε-Καθαρίστε **					✓*
Καπάκι ιζημάτων (αν διατίθεται)	Καθαρίστε		✓	✓		
Διάκενο βαλβίδων	Ελέγξτε-Προσαρμόστε **				✓	
Θάλαμος καύσης	Ελέγξτε-Καθαρίστε **					✓*

* Αυτά τα αντικείμενα πρέπει να αντικαθίστανται αν απαιτείται.
** Αυτές οι εργασίες πρέπει γίνονται μόνο από εξουσιοδοτημένους αντιπροσώπους που έχουν τα κατάλληλα εργαλεία και επάρκεια γνώσεων.

ΛΑΔΙ ΚΙΝΗΤΗΡΑ ΠΡΟΕΙΔΟΠΟΙΗΣΗ

Ο έλεγχος της στάθμης και η αλλαγή λαδιού πρέπει να γίνονται σε στερεά και επίπεδη επιφάνεια. Ο κινητήρας πρέπει να είναι πάντα σταματημένος. Εάν ο κινητήρας ήταν σε λειτουργία, θα είναι ζεστός και η διαδικασία πρέπει να γίνεται με προσοχή για να αποφευχθεί ο κίνδυνος εγκαύματος.

ΣΗΜΕΙΩΣΗ

Αποστραγγίστε το χρησιμοποιημένο λάδι ενώ ο κινητήρας είναι ζεστός. Το ζεστό λάδι αποστραγγίζεται γρήγορα και πλήρως.

Για να ελέγξετε τη στάθμη λαδιού:

1. Αφαιρέστε την τάπα λαδιού (Εικ. 10.6) από το λαίμο πλήρωσης λαδιού του κινητήρα (Εικ. 10.1)
2. Ελέγξτε τη στάθμη λαδιού. Η στάθμη λαδιού πρέπει να φτάνει στο χείλος (Εικ. 10.7) του λαίμου πλήρωσης λαδιού. Εάν απαιτείται, προσθέστε αρκετό λάδι για να φέρετε τη στάθμη λαδιού στο χείλος του λαίμου πλήρωσης λαδιού, μέχρι το ανώτερο επίπεδο και όχι χαμηλότερα από το χαμηλότερο επίπεδο.
3. Τοποθετήστε την τάπα λαδιού στη θέση του και σφίξτε επαρκώς.

Για να αλλάξετε το λάδι:

1. Αφαιρέστε την τάπα λαδιού από το λαίμο πλήρωσης λαδιού του κινητήρα.
2. Τοποθετήστε κατάλληλο δοχείο (Εικ. 10.3) κάτω από την τάπα εξαγωγής λαδιού (Εικ. 10.2) για να συλλέξετε το μεταχειρισμένο λάδι.
3. Αφαιρέστε την τάπα εξαγωγής λαδιού (Εικ. 10.4) και τη ροδέλα (Εικ. 10.5) και επιτρέψτε στο λάδι να στραγγίξει πλήρως.
4. Τοποθετήστε την τάπα εξαγωγής λαδιού και τη ροδέλα στη θέση τους και σφίξτε επαρκώς.
5. Προσθέστε σταδιακά αρκετό λάδι για να φέρετε τη στάθμη λαδιού στο χείλος του λαίμου πλήρωσης λαδιού, μέχρι το ανώτερο επίπεδο και όχι χαμηλότερα από το χαμηλότερο επίπεδο.
6. Επανατοποθετήστε την τάπα πλήρωσης λαδιού και σφίξτε κατάλληλα.

ΣΗΜΕΙΩΣΗ

Εάν ο κινητήρας λειτουργεί συχνά υπό συνθήκες αυξημένης σκόνης ή άλλες δυσμενείς συνθήκες, αλλάξτε το λάδι του κινητήρα κάθε 25 ώρες.

ΠΡΟΕΙΔΟΠΟΙΗΣΗ

Η λειτουργία του κινητήρα με χαμηλή στάθμη λαδιού θα προκαλέσει ζημιά στον κινητήρα.

ΦΙΛΤΡΟ ΑΕΡΑ

ΠΡΟΕΙΔΟΠΟΙΗΣΗ

Το να λειτουργείτε τον κινητήρα χωρίς φίλτρο αέρα ή με φίλτρο αέρα με βλάβη, θα επιτρέψει την είσοδο βρωμιάς στο εσωτερικό του, προκαλώντας ταχεία φθορά του κινητήρα.

Για να ελέγξετε, καθαρίστε ή αντικαταστήσετε το φίλτρο αέρος:

1. Αφαιρέστε το κάλυμμα του φίλτρου αέρα (Εικ. 11.1).
2. Βεβαιωθείτε ότι το στοιχείο φίλτρου αέρα (Εικ. 11.2) είναι απαλλαγμένο από ακαθαρσίες και σε καλή κατάσταση. Εάν είναι βρώμικο, αφαιρέστε το και καθαρίστε το.
3. Για να καθαρίσετε ένα στοιχείο φίλτρου αέρα αφρού πλύνετε το με απορρυπαντικό σπιτιού και ζεστό νερό και αφήστε το να στεγνώσει. Στη συνέχεια, βυθίστε το σε καθαρό λάδι κινητήρα και πιέστε απαλά ώστε να στραγγίξει από το περίσσιο λάδι. Εάν απαιτείται, αντικαταστήστε το με ένα νέο.
4. Για να καθαρίσετε ένα στοιχείο φίλτρου αέρα χαρτί, καθαρίστε ελαφριά βρωμιά χτυπώντας το απαλά μερικές φορές σε σκληρή επιφάνεια και αντικαταστήστε εάν υπάρχει βριά βρωμιά.
5. Καθαρίστε το εσωτερικό της θήκης του φίλτρου αέρα και το κάλυμμα από βρωμιά με ένα μαλακό πανί. Εάν ο κινητήρας είναι εξοπλισμένος με φίλτρο αέρα τύπου σε λάδι, αντικαταστήστε το λάδι

με νέο λάδι κινητήρα.

6. Επανατοποθετήστε το στοιχείο φίλτρου αέρα και ακολουθήστε την αντίστροφη διαδικασία για να επανατοποθετήσετε το κάλυμμα του φίλτρου αέρα.

ΠΡΟΕΙΔΟΠΟΙΗΣΗ

Μην καθαρίζετε ποτέ το φίλτρο αέρα με βενζίνη ή απορρυπαντικά χαμηλού σημείου ανάφλεξης για να αποφύγετε τον κίνδυνο πυρκαγιάς ή έκρηξης.

ΣΗΜΕΙΩΣΗ

Εάν ο κινητήρας λειτουργεί συχνά υπό συνθήκες αυξημένης σκόνης ή άλλες δυσμενείς συνθήκες, καθαρίστε το στοιχείο φίλτρου αέρα κάθε 10 ώρες και αλλάξτε το λάδι του με καινούργιο. Εάν είναι απαραίτητο, αλλάξτε το στοιχείο φίλτρου αέρα κάθε 25 ώρες.

ΜΠΟΥΖΙ

Για να συντηρήσετε το μπουζί (Εικ. 12.4):

1. Αφαιρέστε το καλώδιο μπουζί (Εικ. 12.1) για να έχετε πρόσβαση στο μπουζί (Εικ. 12.2).
2. Χρησιμοποιήστε ένα κατάλληλο εργαλείο μπουζί (Εικ. 12.3) για να αφαιρέσετε προσεκτικά το μπουζί.
3. Επιθεωρήστε την κατάσταση του μπουζί και του ηλεκτροδίου του. Πρέπει να είναι καθαρό και να μην είναι φθαρμένο. Ελέγξτε ότι το διάκενο μπουζί κυμαίνεται μεταξύ 0,7 και 0,8 mm (Εικ. 16). Αν χρειάζεται, αντικαταστήστε το μπουζί με ένα νέο.
4. Βιδώστε προσεκτικά το μπουζί στον κινητήρα με το χέρι.
5. Αφού βιδώσετε μερικές σπείρες, χρησιμοποιήστε το κατάλληλο εργαλείο μπουζί για να σφίξετε σταθερά το μπουζί, προσέχοντας να μην χρησιμοποιήσετε υπερβολική δύναμη ώστε να βλάψετε το σπείρωμα.
6. Επανασυνδέστε το καλώδιο του μπουζί.

ΠΡΟΕΙΔΟΠΟΙΗΣΗ

Μην αφήνετε ποτέ βρωμιά ή υπολείμματα να εισέλθουν στον κύλινδρο. Πριν αφαιρέσετε το μπουζί, καθαρίστε προσεκτικά τόσο το μπουζί όσο και την περιοχή της κύλινδρο-κεφαλής.

ΦΙΛΤΡΟ ΒΕΝΖΙΝΗΣ

Το δοχείο καυσίμου ενδέχεται να είναι εφοδιασμένο με ένα φίλτρο (Εικ. 13), ανάλογα με το μοντέλο του σκαπτικού, που βρίσκεται στην τάπα του δοχείου καυσίμου. Το φίλτρο καυσίμου μπορεί να διαχωριστεί και πρέπει να ελέγχεται περιοδικά. Εάν το φίλτρο είναι βρώμικο, καθαρίστε το και αντικαταστήστε το με ένα νέο όταν απαιτείται. Σε περίπτωση που το εσωτερικό του δοχείου καυσίμου είναι βρώμικο, μπορεί με καθαριστή ξεπλένοντάς το με καθαρή βενζίνη.

ΚΑΘΑΡΙΣΜΟΣ

Χρησιμοποιήστε μια μικρή μαλακή βούρτσα για να καθαρίσετε το εξωτερικό του μηχανήματος. Μην χρησιμοποιείτε ισχυρά απορρυπαντικά. Τα οικιακά καθαριστικά που περιέχουν αρωματικά έλαια όπως πεύκο και λεμόνι και διαλύτες όπως κηροζίνη μπορούν να προκαλέσουν ζημιά στο πλαστικό περίβλημα ή στη λαβή. Σκουπίστε τυχόν υγρασίες με ένα μαλακό πανί.

ΑΠΟΘΗΚΕΥΣΗ ΠΡΟΕΙΔΟΠΟΙΗΣΗ

Μην αποθηκεύετε ποτέ το μηχανήμα με καύσιμο στη δεξαμενή και αφήνετε πάντα να κρυώσει πριν την αποθήκευση. Αποθηκεύστε το μηχανήμα μόνο σε ξηρούς και καλά αεριζόμενους χώρους.

Σε περίπτωση που η μονάδα θα αποθηκευτεί για μεγάλο χρονικό διάστημα, χρησιμοποιήστε την ακόλουθη διαδικασία αποθήκευσης:

1. Αποστραγγίστε όλο το καύσιμο από το ρεζερβουάρ καυσίμου.
2. Λειτουργήστε τον κινητήρα μέχρι να σταματήσει λόγω έλλειψης καυσίμου.
3. Αντικαταστήστε το λάδι του κινητήρα με καινούργιο.
4. Αφαιρέστε το μπουζί και βάλτε 30 ml λαδιού κινητήρα υψηλής ποιότητας ή λαδιού μίξης στον κύλινδρο. Τραβήξτε αργά το σχοινί της μίζας για να διαλείψετε το λάδι. Εγκαταστήστε εκ νέου το μπουζί.
5. Καθαρίστε σχολαστικά τη μονάδα και ελέγξτε για τυχόν χαλαρά ή κατεστραμμένα μέρη. Επισκευάστε ή αντικαταστήστε τα κατεστραμμένα μέρη και σφίξτε τις χαλαρές βίδες, παξιμάδια ή μπουλόνια.
6. Λιπάνετε όλα τα μέρη όπου απαιτείται με ένα υγρό σε λάδι ναβί για να αποφύγετε τη συσσώρευση σκουριάς.

ΠΡΟΣΤΑΣΙΑ ΤΟΥ ΠΕΡΙΒΑΛΛΟΝΤΟΣ

Ανακυκλώστε τις πρώτες ύλες αντί να τις απορρίψετε. Το μηχανήμα, τα αξεσουάρ και οι συσκευασίες πρέπει να ταξινομούνται για φιλική προς το περιβάλλον ανακύκλωση. Τα πλαστικά εξαρτήματα επισήμονται για κατηγοριοποιημένη ανακύκλωση. Απορρίψτε το χρησιμοποιημένο λάδι κινητήρα και τα δοχεία με τρόπο φιλικό προς το περιβάλλον. Σας προτείνουμε να το πάτε σε ένα σφραγισμένο δοχείο στο τοπικό κέντρο ανακύκλωσης ή στο πρατήριο καυσίμων. Μην το πετάτε στα σκουπίδια και μην το ρίχνετε στο έδαφος ή στην αποχέτευση.

ΕΓΓΥΗΣΗ

Αυτό το προϊόν είναι εγγυημένο σύμφωνα με τους νόμους / ειδικούς κανονισμούς ανά χώρα, από την ημερομηνία αγοράς του από τον χρήστη. Ζημιές που οφείλονται σε φυσιολογική φθορά, υπερφόρτωση ή ακατάλληλο χειρισμό θα εξαιρεθούν από την εγγύηση. Σε περίπτωση αξίωσης, στείλτε το μηχανήμα, πλήρως συναρμολογημένο, στον αντιπρόσωπό σας ή στο επίσημο κέντρο σέρβις.

SRPSKI

ΟΠՏԱ BEZBEDNOSNA UPOZORENJA

Pročitajte i razumete uputstvo ovog vlasnika pre rada ovog proizvoda. Možete da sprečite nezgode tako što ćete biti upoznati sa kontrolama proizvoda i pridržavanjem bezbednih operativnih procedura i bezbednosnih znakova. Uvek koristite zdrav razum da izbegnete sve situacije koje se smatraju izvan vaše mogućnosti. Nemojte koristiti dok ste umorni ili pod uticajem droga, alkohola ili bilo kojih drugih lekova. Držite prolaznike i životinje koje bi mogle biti povredene, kao i predmete koji bi mogli biti oštećeni, daleko dok rade. Nikada ne dozvolite deci ili osobama koje nisu upoznate sa ovim uputstvima da koriste proizvod. Lokalni zakoni mogu da ograniče minimalnu starosnu granicu operatera. Imajte na umu da je operater ili korisnik odgovoran za nesreće ili neočekivane događaje koji se dešavaju drugim ljudima, životinjama ili njihovoj imovini. Ne izlažite proizvod prekomernoj vlazi, prašini, prljavštini ili korozivnim isparenjama. Nemojte montirati opremu ili pribor na mašinu koja nije predviđena ili odobrena od strane proizvođača. Nikada ne pokušavajte da izmenite proizvod. Neovlašćene izmene ili pribor mogu rezultirati ozbiljnim ličnim povredama ili smrću operatera ili drugih osoba. Posavetujte se sa ovlašćenim dilerom za rastav i uslugu, koja nije obuhvaćena ovim uputstvom. Ako se nešto pokvari ili dođe do nezgode tokom rada, odmah isključite mašinu i udaljite je kako biste sprečili dalje oštećenje. U slučaju da je strano telo ušlo u mašinu, odmah ga zaustavite, pregledajte da li ima oštećenja i izvršite popravke pre nego što ga ponovo započnete.

ZAŠITNA OPREMA

Uverite se da prilikom rada jedinice koristite odgovarajuću i sertifikovanu zaštitnu opremu. Uvek nosite odeću koja ne sputava pokrete, zaštitne rukavice, zaštitne naočare, respirator sa polu maskiranim usima, zaštitu ušiju i anti-shear sigurnosne čizme sa neklizajućim đonom. Nikada ne nosite šalove, ogrlice ili bilo kakav viseći ili lepršavi pribor i odeću koja bi mogla da se uhvati u mašini. Veћи kosu ako je dugaika.

OPASNOSTI OD OTROVA

Radi samo na otvorenom i u dobro provetrenim delovima. Kada radi, motor iscrpljuje otrovni ugljen-monoksid, bez mirisa i bezbojni gas. Udisanje ugljen-monoksida izazvaće mučninu, nesvesnicu ili smrt. Nemojte upravljati mašinom u zatvorenom prostoru gde mogu da se razviju opasna isparenja ugljen-monoksida, ili blizu otvorenih prozora. Gorivo i ulje su izuzetno otrovni. Nemojte udisanje goriva isparavati gasove i uvek nosite odgovarajuću zaštitnu opremu prilikom rukovanja njima. Uvek skladištite gorivo i ulje u odobrenim posudama i odgovorno raspolazete.

OPASNOSTI OD POՃARA I OPEKOTINA

Benzin i nafta su zapaljivi. Sledite uputstva koja je obezbedio svaki proizvođač pre upotrebe. Po-

tencijalne izvore vatre ili iskre treba držati podalje sve vreme. Ne pušite blizu mašine ili bilo kakvog goriva i ulja. Gorivo samo na otvorenom, u dobro provetrenoj oblasti, sa isključenim motorom. Polako otvorite rezervoar za gorivo kako biste omogućili da se pritisak unutra smanjuje postepeno. Ne preteruj sa rezervoarom. Uverite se da postoji određeno rastojanje između bilo kog rezervnog rezervoara benzina i jedinice, kako bi se sprečila nepotrebna opasnost. Pobrinite se da bilo koje i svo prosuto gorivo i ulje budu izbrisani pre nego što upalite motor.

Neki delovi mašine se zagreju dovoljno da zapale zapaljive materijale. Ne koristite u oblastima sa visokim rizikom od požara. Ne usmeravajte prigušivač a samim tim i izduvna isparenja prema zapaljivim materijalima.

Ako dođe do požara, koristite odgovarajući protivpožarni aparat posebno dizajniran za požar nafte i benzina.

Neki delovi mašine se zagreju dovoljno da izazovu oštećenje opekotina. Obratite pažnju da ih ne dirujete kako biste izbegli da se opečete. Ostavite mašinu da se ohladi pre nego što je uskladištite.

KATEGORIJA BEZBEDNOSNA UPOZORENJA

BEZBEDAN RAD

Sve operativne poluge mašine moraju lako da se kreću sa jedne pozicije na drugu i ne sme im biti potrebno forsiranje. Električni kablovi i kabl za svećice moraju biti u savršenom stanju da bi se izbegla generacija bilo kakvih varnica. Svećica mora biti pravilno uklopljena na svećice. Ručne i zaštitne uređaje moraju biti čiste i suve kao i bezbedno pričvršćivanje za mašinu.

Uvek proverite da li postoje objekti koji mogu da blokiraju ekran za unos vazduha pre nego što počinju sa radom. Zapušeni unos vazduha smanjuje performanse mašine i povećava radnu temperaturu motora, što može rezultirati kvarom motora. Uverite se da ste zaustavili mašinu:

- ▶ Prilikom montaže ili uklanjanja dodatne opreme.
- ▶ Kad god ostavite mašinu bez nadzora.
- ▶ Tokom dopune goriva.
- ▶ Tokom čišćenja ili održavanja.
- ▶ Kada se krećete između radnih oblasti.
- ▶ Tokom transporta.
- ▶ Pre skladištenja.

OPASNOSTI PO STRUJU

Uverite se da su električne utičnice mašine i kablovi i utičnice koji su povezani sa njim u dobrom stanju i da se ne nose. Nikada ne koristite oštećenu mašinu ili mašinu sa oštećenim ili istrošenim električnim kablovima i utikačima. Ne izlažite mašinu i električne kablove vlažnim uslovima i nikada ne dirajte kada su vlažni. Iskoristite kontakt sa zemljom. Nemojte dolaziti u kontakt sa prizemljenim površinama ili električnim kablovima, kako biste izbegli rizik od električnog šoka. Nemojte koristiti kabl da biste izvukli utikač iz utičnice. Uvek vodite kabl za napajanje dalje od zadnjeg dela mašine i zaštitite ga od toplota, ulja i oštarih predmeta. . Kada mašina treba da se koristi na otvorenom,

koristite samo produžne kablove namenjene za korišćenje na otvorenom. Presek bilo kog produžnog kabla mora da izmeri najmanje 1,5mm² i glavna veza mora biti zaštićena odgovarajućim osiguračima.

OPASNOSTI OD ROTIRAJUĆIH DELOVA

Rotirajući delovi mogu da izazovu ozbiljne povrede. Izbegavajte kontakt sa rotirajućim delovima dok su još uvek u rotaciji.

OPASNOSTI OD BUKE I VIBRACIJA

Nivoi buke i vibracija prikazani u ovim uputstvima su maksimalni nivoi za korišćenje mašine. Nedovoljno održavanje ima značajan uticaj na vibracije i emisiju buke. Shodno tome, neophodno je preduzeti preventivne korake kako bi se eliminisala moguća oštećenja usled visokog nivoa buke i stresa od vibracija. Dobro održavajte mašinu, nosite uređaje za zaštitu ušiju, rukavice protiv vibracija i napravite pauze dok radite. Tokom radnog dana pravićete česte i adekvatne pauze kako biste sprečili oštećenje vibracija i oštećenja ušiju.

OPASNOSTI U RADNOJ OBLASTI

Detaljno pregledajte ceo radni prostor i uklonite sve što može biti opasan izvor ili prouzrokovati oštećenje mašine. Proverite da li postoje prolaznici, životinje ili predmeti koji mogu biti oštećeni u okviru opsega radnji mašine.

Radite samo po dnevnom svetlu, ili uz odgovarajuću veštačku svetlost, u dobrim uslovima vidljivosti. Pokušajte da ne izazivate nikakve smetnje u buci, samo koristeći ovu mašinu u razumno doba dana.

Zauzmu čvrstu i dobro izbalansiranu poziciju. Gde je to moguće, izbegavajte rad na vlažnom, klizavom terenu ili u svakom slučaju na neravnomernom ili strmom terenu koji ne garantuje stabilnost operateru ili odgovarajuće uslove rada mašine.

Upravljajte mašinom u slobodnom prostoru, daleko od okolnih objekata ili zidova kako biste garantovali bezbedan rad i očistili cirkulaciju vazduha za unos.

PREOSTALE OPASNOSTI

Mašina je napravljena pomoću savremene tehnologije i u skladu sa priznatim bezbednosnim pravilima. Čak i kada su preduzete sve bezbednosne mere, neke preostale opasnosti, koje još uvek nisu evidentne, mogu biti prisutne. Operater treba da koristi zdrav razum i preduzme neophodne mere predostrožnosti kako bi izbegao rizik zbog preostalih opasnosti.

SPECIFIKACIJE PROIZVODA

NAMENJENA UPOTREBA

Ova mašina je dizajnirana i proizvedena da obezbedi električnu energiju u oblastima u kojima je komunalno napajanje nedostupno ili nepouzdan.

Svaka druga upotreba koja se razlikuje od gore navedenih mogla bi da bude opasna, da naškoditi ljudima i ošteti stvari i samu mašinu.

NEPRAVILNA UPOTREBA

Mašina ne sme da se koristi za napajanje aparata drugih koji su namenjeni u skladu sa njenim specifikacijama.

Drugi primeri nepravilne upotrebe mogu da uključuju, ali nisu ograničeni, na rad računara:

- ▶ Bez originalnog pribora koji je obezbedio proizvođač.
- ▶ Sa originalnim priborom, ali na neki način ne u skladu sa uputstvima.
- ▶ Bez originalnih rezervnih delova.
- ▶ Sa neovlašćenim izmenama.
- ▶ Prema važećim zakonima o odgovornosti proizvođača, proizvođač uređaja ne preuzima odgovornost za štetu na proizvodu ili štetu nastalu usled proizvoda do koje dolazi zbog:
- ▶ Nepravilno rukovanje nije u skladu sa uputstvima za rad.
- ▶ Popravke od strane trećih lica, a ne od strane ovlašćenih servisnih tehničara.
- ▶ Instalacija ne-originalnih rezervnih delova.
- ▶ Nemušta upotreba.
- ▶ Kvar na električnom sistemu zbog rada mašine na način koji nije u skladu sa električnim i VDE propisima.

TEHNIČKE PODATKE STRANA 18

IDENTIFIKACIJA (SL. 1-2)

1. Regulator transporta
2. Kapa rezervoara za gorivo
3. Kontrolna tabla
4. Recoil starter
5. Pristup svećicama
6. Auspuh
7. Pristup ulju motora
8. Glavni prekidač
9. Nizak indikator ulja
10. Indikator preopterećenja
11. Indikator izlaznog napajanja
12. Prekidač za pametnu kontrolu motora (ESC)
13. AC toplotna zaštita
14. Dodatne komponente za paralelnu vezu
15. TERMALNA ZAŠTITA DC-a
16. DC (USB) izlaz
17. Prizemni terminal
18. IZLAZ DC (punjenje baterije)
19. AC izlaz

OPERACIJA

PREOPERACIJA

Raspakivanje i dovršavanje montaže treba uraditi na ravnoj i stabilnoj površini, sa dovoljno prostora za premeštanje mašine i njene ambalaže, uvek koristeći odgovarajuću opremu. Skupštinu treba da sprovodi obučeno osoblje u vašoj najbližjoj dilerskoj radnji, tamo gde je to neophodno.

Gorivo i podmazivanje

UPOZORENJE

Mašina se isporučuje bez nafte i goriva. Ovaj proizvod je opremljen motorom od 4 poteza što znači da benzin treba koristiti u rezervoaru za gorivo i motor treba da bude napunjen uljem. Specifikacije goriva: Bezosećeni benzin ili 90 oktana više.

Kapacitet rezervoara za gorivo: Pogledajte "TABELA TEHNIČKIH PODATAKA"

Da napunite mašinu gorivom (Sl. 3):

- ▶ Skini poklopac rezervoara.
- ▶ Dodajte gorivo na gornji nivo rezervoara za gorivo. Ostavite minimum 5 mm prostora između vrha goriva i unutrašnje ivice rezervoara da biste omogućili proširenje. Polovina dužine filtera rezervoara za gorivo takođe može da radi kao znak višeg nivoa goriva, gde je dostupan.
- ▶ Pomerite poklopac rezervoara za gorivo i zategnite na odgovarajući način.

UPOZORENJE

Kapa rezervoara za gorivo je obezbeđena kvakom za ventilaciju kako bi se zaustavio protok goriva. Kvaka za ventilaciju mora biti okrenuta "ON". To će omogućiti da gorivo teče do karburatora i da motor radi. Kada motor nije u upotrebi, okrenite kvaku ventilacije na "OFF" da biste zaustavili protok goriva.

UPOZORENJE

Uvek koristite čistu posudu za skladištenje goriva i nemojte koristiti gorivo uskladišteno duže od mesec dana.

Specifikacije ulja: Za opštu upotrebu (5°C - 38°C) preporučeno ulje je 4-moždano motorno ulje SAE 15W40 (Sl. 4).

Kapacitet motornog ulja: Pogledajte "TABELA TEHNIČKIH PODATAKA"

Da biste napunili motor uljem:

- ▶ Uklonite kapu za filer ulja (Sl. 5.1) sa vrata filtera motornog ulja (Sl. 5.,2). Donji deo je indikator nivoa nafte.
- ▶ Postepeno dodajte dovoljno ulja da nivo ulja dovede do usne vrata uljanog filtera, do gornjeg nivoa (Sl. 5.3) i ne nižeg nivoa (Sl. 5.4).
- ▶ Repozicioniti kapu za filer ulja i prikladno zategnuti.

UPOZORENJE

Koristite levak kako biste izbegli prosipanje goriva ili ulja. Obrišite svako prosuto gorivo i ulje pre nego što upalite motor.

Da biste povezali bateriju (Sl. 6), primenjuje se samo na modele sa električnim startom:

- ▶ Otvorite tablu sa baterijom.
- ▶ Uklonite bateriju sa položaja.
- ▶ Povežite pozitivan (crveni) kabl sa pozitivnim stubom baterije.
- ▶ Povežite negativan (crni) kabl sa negativnim stubom baterije.
- ▶ Promenite položaj baterije i panela.

POKRETANJE JEDINICE

Pre pokretanja mašine:

- ▶ Pobrinite se da i mašina i vi budete na stabilnom terenu.
- ▶ Proverite da li su svi pričuvršćivači obezbeđeni na poziciji.
- ▶ Isključite sva električna opterećenja iz generatora. Nikada ne počinjite ili zaustavljate generator sa priključenim ili uključenim električnim uređajima.
- ▶ Proverite da li je filter vazduha čist i da li je unos vazduha i izduvnih gasova zapušten bilo kakvim stranim materijalom.
- ▶ Napunite potrebnom količinom ulja i goriva.

Da biste pokrenuli mašinu:

- ▶ Isključite ESC prekidač na "OFF" (Sl. 1.12).
- ▶ Okrenite kvaku ventilacije rezervoara za gorivo (Sl. 7) u "ON".
- ▶ Premestite glavni prekidač (Sl. 8) na poziciju "CHOKE".

NOTA

Ovaj korak se odnosi samo na hladno pokretanje motora. Kada je motor već topao ili je temperatura okoline visoka, glavni prekidač bi trebalo da ostane na "ON" poziciji sve vreme.

Prianjajte čvrsto dršku mašine levom rukom i početni stisak (Sl. 9.2) motora desnom rukom. Povucite početni stisak dok ne osetite otpor da uključite motor, a zatim čvrsto povucite da upalite motor.

UPOZORENJE

Da ne biste prolomili starter kanap (Sl. 9.1), nemojte ga povlačiti celom dužinom ili ga pustiti da klizi duž ivice rupe vodiča za kablovsku televiziju. Oslobodite startera postepeno, kako biste izbegli da nekontrolisano odleti nazad.

NOTA:

Za mašine sa električnim paljenjem umesto toga možete koristiti prekidač za paljenje, tako što ćete ga gurati kratko dok se motor ne upali.

Kako se motor zagreva, pomerite glavni prekidač na "ON" poziciju, ako je motor bio hladan.

NOTA

Za maksimalne performanse i pouzdanost, dozvolite motoru da se zagreje pre rada pri punom opterećenju, radeći ga dva do tri minuta u nusu.

UPRAVLJANJE JEDINICOM

Glavni prekidač

- ▶ Isključeno: Strujno kolo za paljenje je isključeno i gorivo je isključeno. Motor neže da radi.
- ▶ ON: Strujno kolo za paljenje je zamenjeno ON, gorivo je zamenjeno i gušenje je zamenjeno. Motor može da radi.
- ▶ CHOKE The ignition circuit is switched ON, the fuel is switched on and the choke is switched OFF. Motor može da se upali.

Indikator izlaznog napajanja

AC svetlo (Green) se upali kada se motor upali i proizvede snagu.

Nizak indikator ulja

Kada nivo ulja padne ispod donjeg nivoa, upali se svetlo upozorenja na ulje (Crveno) i onda se motor automatski zaustavi. Ukoliko ne dopunite uljem, motor se neće ponovo upaliti.

NOTA

Ako motor odugovlači ili se ne upali, okrenite prekidač motora na "ON", a zatim povucite starter trzaja. Ako svetlo upozorenja na ulje treperi nekoliko sekundi, ulje motora je nedovoljno. Dodajte ulje i ponovo pokrenite.

Indikator preopterećenja

Preopterećeno svetlo indikatora (Crveno) se upali kada se otkrije preopterećenje povezanog električnog uređaja, kada se inverter kontrolna jedinica nagne ili se AC izlazni napon podigne. Zatim će

se AC zaštitnik saplesti, zaustavljajući proizvodnju struje u cilju zaštite generatora i bilo kakvih povezanih električnih uređaja. AC pilot svetlo (Green) će se ugasi i svetlo indikatora preopterećenja (Crveno) će ostati upaljeno, ali motor neće prestati da radi.

Kada se upali svetlo indikatora preopterećenja i proizvodnja energije prestane, nastavite na sledeći način:

- ▶ Isključite sve povezane električne uređaje i zaustavite motor.
- ▶ Smanjite ukupnu vatu povezanih električnih uređaja u okviru ocenjenog izlaza.
- ▶ Proverite da li ima blokada u dovodu vazduha za hlađenje i oko kontrolne jedinice. Ako su pronađene neke blokade, uklonite ih.
- ▶ Nakon provere, ponovo pokrenite mašinu.

NOTA

Svetlo indikatora preopterećenja može da se upali na nekoliko sekundi u početku kada se koriste električni uređaji koji zahtevaju veliku početnu struju, kao što je kompresor ili potapajuća pumpa. Međutim, ovo nije kvar.

Termalni prekidači

Prekidač automatski iskače kada električni uređaj koji je povezan sa generatorom radi i struji iznad ocenjenih tokova, zaustavljajući proizvodnju energije u cilju zaštite generatora i svih povezanih električnih uređaja.

Kada je toplotni prekidač angažovan i proizvodnja energije prestane, nastavite na sledeći način:

- ▶ Isključite sve povezane električne uređaje i zaustavite motor.
- ▶ Smanjite ukupnu vatu povezanih električnih uređaja u okviru ocenjenog izlaza.
- ▶ Proverite da li ima blokada u dovodu vazduha za hlađenje i oko kontrolne jedinice. Ako su pronađene neke blokade, uklonite ih.
- ▶ Gurni toplotni prekidač nazad na poziciju.
- ▶ Nakon provere, ponovo pokrenite mašinu.

UPOZORENJE

Ako se toplotna zaštita ponovo angažuje, odmah prestanite da koristite uređaj i konsultujte našu kompaniju ovlašćenog dilera.

Pametna kontrola motora (ESC)

- ▶ ON: Kada je ESC prekidač okrenut na "ON", jedinica za kontrolu ekonomije kontrolise brzinu motora, prema povezanom opterećenju. Kao rezultat toga, potrošnja goriva i buka su manji. Koristite ovu funkciju samo kada je opterećenje primenjeno na generator upola manje ili niže.
- ▶ ISKLJUČENO: Kada je ESC prekidač uključen u "OFF", motor radi kod ocenjenog rpm-a, bez obzira na to što je opterećenje povezano ili ne.

UPOZORENJE

ESC mora biti okrenut "OFF" kada se koriste električni uređaji koji zahtevaju veliku početnu struju, kao što je kompresor potapajuće pumpe ili kada je opterećenje primenjeno na generator veće da je polovina njegovog ocenjenog izlaza energije.

Prizemni terminal

Kopneni terminal povezuje zemaljski linije za

sprečavanje električnog šoka. Kada je električni uređaj zemljan, generator uvek mora biti zemljum. Da bi se sprečio električni šok zbog oskudnih električnih uređaja ili pogrešne upotrebe električne energije, generator mora biti prizemljen dobrim kvalitetom izolovanog provodnika.

Da biste zaustavili mašinu:

► Isključite i isključite sve električne toware.

UPOZORENJE

Nikada ne počinjte ili zaustavljate generator sa priključenim ili uključenim električnim uređajima.

► Neka generator radi bez opterećenja nekoliko minuta, da stabilizuje unutrašnje temperature motora i generatora.

► Okrenite glavni prekidač na poziciju "OFF". Uključivanje kruga paljenja. Gorivo je isključeno.

ODRŽAVANJE I ČIŠĆENJE

UPOZORENJE

Nikada ne radite održavanje ili čišćenje sa pokrenutom jedinicom. Uvek radi na kul jedinici. Pre čišćenja ili obavljanja radova na održavanju, isključite zatvarač svećice i pročitajte relevantna uputstva. Uvek nosite odgovarajuću odeću i zaštitne rukavice kad god su vam ruke u opasnosti.

Sve korekcije ili operacije održavanja koje nisu opisane u ovom uputstvu moraju da izvrše Vaš Diler ili specijalizovani servisni centar sa potrebnim znanjem i opremom kako bi se osiguralo pravilno održavanje prvobitnog nivoa bezbednosti mašine. Sve operacije koje se obavljaju u neovlašćenim centrima ili od strane nekvalifikovanih lica potpuno će poništiti garanciju i sve obaveze i odgovornosti Proizvođača.

Držite sve orahe i šrafove čvrsto da biste bili sigurni da je mašina uvek u bezbednom radnom stanju. Rutinsko održavanje je od suštinskog značaja za bezbednost i održavanje visokog nivoa performansi.

UPOZORENJE

Nikada ne koristite mašinu sa istrošenim ili oštećenim delovima. Neispravni ili istrošeni delovi uvek moraju biti zamenjeni, a ne popravljani. Koristite samo originalne rezervne delove.

RASPORED ODRŽAVANJA

Stavke		Frekvenciju				
		Pre svake upotrebe	Nakon 1. meseca ili prvih 20 hr operacije	Svaka 3 meseca ili 50hr operacije	Svaki 12 mjeseci ili 100hr operacije	Svaki 24 mjeseci ili 250hr operacije
Kompletna jedinica	Vizuelna izpekcija	√				

Regulatori kontrole	Provera operacije	√				
Spark arrester (ako je dostupan)	Proverite			√*		
Motorno ulje	Dopuna čekova	√				
	Zameni		√	√		
Filter vazduha	Proverite	√				
	čist		√			
Svećica	Zameni			√		
	Prilagođavanje provere		√		√*	
Linija goriva i filter	Ček - Čisto **				√*	
Rezervoar za gorivo	Ček - Čisto **					√*
Depozitna šolja (ako je dostupna)	čist		√	√		
Čišćenje ventila	Prilagođavanje provere **				√	
Komora za sagorevanje	Ček - Čisto **					√*

*Ove stavke treba zameniti ako je potrebno.

**Ove operacije treba da obavlja samo ovlašćeni diler, koji ima odgovarajuće alate i potrebnu mehaničku stručnost.

ULJE MOTORA

UPOZORENJE

Proveru nivoa i promenu ulja treba obaviti na čvrstom i nivou tla. Motor mora biti zaustavljen sve vreme. Da je motor radio, biće vruće i procedura bi trebalo da se obavi sa negom i neophodnim merama predostrožnosti kako bi se izbegla opasnost od opekotina.

NOTA

Iscedite polovno ulje dok je motor topao. Toplo ulje se cedi brzo i u potpunosti.

Da biste proverili nivo ulja:

1. Uklonite kapu za filer ulja (Sl. 10.6) sa vrata filera motornog ulja (Sl. 10.1).
2. Proveri nivo ulja. Nivo ulja treba da dostigne usnu (Sl. 10.7) vrata uljanog filera. Ako je potrebno, dodajte dovoljno ulja da nivo ulja dovede do usne vrata uljanog filera, do gornjeg nivoa i ne nižeg od donjeg nivoa.

3. Repozicioniti kapu za filer ulja i prikladno zategnuti.

Da biste promenili ulje:

1. Uklonite kapu za filer ulja sa vrata filera motornog ulja.
2. Postavite odgovarajuću posudu (Sl. 10.3) ispod rupe za odvod ulja (Sl. 10.2) da biste uhvatili iskorišćeno ulje.
3. Uklonite utikač za odvod ulja (Sl.10.4) i veću (Sl. 10.5) kako biste omogućili da se ulje potpuno ocedi.
4. Repozicioniši utikač za odvod ulja sa svojom posudom za pranje i zategni na odgovarajući način.
5. Postepeno dodajte dovoljno ulja da nivo ulja dovede do usne vrata uljanog filera, do gornjeg nivoa i ne nižeg od donjeg nivoa.
6. Repozicioniti kapu za filer ulja i prikladno zategnuti.

NOTA

Ako motor često radi pod izuzetno prašnjavim ili drugim teškim okolnostima, menjaj ulje motora na svakih 25 sati.

UPOZORENJE

Pokretanje motora će dovesti do oštećenja motora.

FILTER VAZDUHA**UPOZORENJE**

Upravljanje motorom bez prečistača vazduha, ili sa oštećenim prečistačem vazduha, omogućuje prljavštini da uđe u motor, što će izazvati brzo habanje motora.

Da biste proverili, očistili ili promenili filter vazduha:

1. Uklonite poklopac filtera vazduha (Sl. 11.1).
2. Uverite se da je element filtera vazduha (Sl. 11.2) oslobođen prljavštine i da je u dobrom stanju. Ako je prljav, uklonite ga i očistite.
3. Da biste očistili element filtera za penast vazduh operite ga kućnim deterdžentom i toplom vodom i ostavite da se osuši. Zatim ga natopite čistim zasićenim uljem motora i nežno iscedite višak ulja. Ako je potrebno, zamenite ga novim.
4. Da biste očistili element filtera za papirni vazduh, očistite lagano prljavštinu tako što ćete je nežno zalepiti nekoliko puta na tvrdnu površinu i zameniti ako je prisutna teška prljavština.
5. Očistite unutrašnjost omotača filtera za vazduh i pokrijte od prljavštine mekom krpom. Ako je motor opremljen filterom vazduha tipa uljane kupke, zamenite ulje novim uljem motora.
6. Ponovo instalirajte element filtera vazduha i sledite obrnutu proceduru kako biste vratili u poziciju poklopac filtera vazduha.

UPOZORENJE

Nikada ne čistite filter vazduha zapaljivim ili niskim deterdžentima sa fleš tačkom kako biste izbegli rizik od požara ili eksplozije.

NOTA

Ako motor često radi pod prašnjavim ili drugim teškim okolnostima, očistite filter vazduha na svakih 10 sati i dodajte mu promenu ulja sa novim. Ako je potrebno, menjajte element filtera vazduha na svakih 25 sati.

SVEĆICA

Da biste održali svećice (Sl. 12,4):

1. Uklonite zatvarač svećice (Slič. 12.1) da biste pristupili svećici (Sl. 12.2).
2. Koristite odgovarajući alat za svećice (Sl. 12.3) da biste pažljivo uklonili svećice.
3. Proverite stanje svećice i njene elektrode. Mora biti isto, a ne poľeno. Proverite da li je razmak između 0,7 i 0,8mm. Zamenite svećice novim, ako je potrebno.
4. Pažljivo priključite svećicu na motor ručno.
5. Kada se koncem zategne, koristite odgovarajući alat za svećice da biste zategli svećicu, obraćajući pažnju da ne koristite prekomernu silu koja oštećuje konce.
6. Ponovo priložite poklopac svećice.

UPOZORENJE

Nikada ne dozvolite prljavštini ili krotinama da uđu u cilindar. Pre uklanjanja svećice temeljno očistite svećicu i područje glave cilindra.

FILTER ZA GORIVO

Rezervoar za gorivo može biti opremljen filterom (Sl. 13), u zavisnosti od modela Tiler, koji se nalazi na zatvarač rezervoara za gorivo. Filter za gorivo može da se izabere i treba ga povremeno proveravati. Ako je filter prljav, očistite ga i zamenite novim po potrebi. U slučaju da je unutrašnjost rezervoara prljava, može se očistiti ispiranjem rezervoara za gorivo čistim benzinom.

ИИЉЖЕНЈЕ

Koristite malu meku četku za čišćenje spoljašnji jedinice. Ne koristite jake deterdžente. Čistači domaćinstava koji sadrže aromatična ulja kao što su bor i limun i rastvarači kao što je kerozin mogu da oštete plastična kućište ili dršku. Obrišite svaku vlagu mekom krpom.

SKLADIŠTENJE**UPOZORENJE**

Nikada ne skladištite jedinicu sa gorivom u rezervoaru i uvek dozvolite jedinici da se ohladi pre skladištenja. Jedinicu čuvajte samo u suvim i dobro provetrenim delovima.

U slučaju da će jedinica biti uskladištena duže vreme, koristite sledeću proceduru skladištenja:

1. Isuši svo gorivo iz rezervoara.
2. Pokreni motor dok ne odugovlači zbog nedostatka goriva.
3. Zamenite ulje motora novim.
4. Uklonite svećicu i stavite 30 ml visokokvalitetnog motornog ulja u cilindar. Polako povucite starter kanap da biste distribuirali ulje, a zatim ponovo instalirajte svećice.
5. Temeljno očistite jedinicu i proverite da li ima labavih ili oštećenih delova. Popravite ili zamenite oštećene delove i zategnite labave šrafove, orahе ili šrafove.
6. Podmazujte sve delove potrebne vlažnom krpom za ulje da biste izbegli izgrađenu rđu.

ZAŠTITA ŽIVOTNE SREDINE

Reciklirajte sirovine umesto da odlažete kao otpad. Mašina, pribor i ambalaža treba da se sortiraju za reciklažu pogodnu za životnu sredinu. Plastične komponente su označene za kategorizovanu reciklažu.

Odložite polovno motorno ulje i kontejnere na način koji je kompatibilan sa okolinom. Predlažemo da ga odnesete u zapečaćenoj posudi u vaš lokalni reciklažni centar ili servisnu stanicu radi reklamacije. Nemojte ga bacati u smeće, sipati na zemlju ili sipati u odvod.

GARANCIJE

Ovaj proizvod je garantovan u skladu sa zakonskim / državnim propisima, koji stupaju na snagu od dana kupovine od strane prvog korisnika. Šteta koja se može pripisati normalnom habanom i cedanju, preopterećenju ili nepravilnom rukovanju biće isključena iz garancije. U slučaju zahteva, pošaljite mašinu, potpuno okupljenu, vašem dileru ili zvaničnom servisnom centru.

HRVATSKI

OPĆA SIGURNOSNA UPOZORENJA

Pročitajte i razumite ovaj vlasnički priručnik prije uporabe ovog proizvoda. Možete pomoći u sprječavanju nesreća upoznavanjem s kontrolama vašeg proizvoda i promatranjem sigurnih radnih postupaka i sigurnosnih znakova. Uvijek koristite svoj zdrav razum kako biste izbjegli sve situacije koje se smatraju izvan vaših mogućnosti. Nemojte koristiti dok ste umorni ili pod utjecajem droga, alkohola ili bilo kojeg drugog lijeka. Držite podalje prolaznike i životinje koje bi mogle biti ozlijeđene, kao i predmete koji bi se mogli oštetiti tijekom rada. Nikada ne dopustite djeci ili osobama koje nisu upoznate s ovim uputama da koriste proizvod. Lokalni zakoni mogu ograničiti minimalnu dob operatera. Imajte na umu da je operater ili korisnik odgovoran za nesreće ili neočekivane događaje koji se dogode drugim ljudima, životinjama ili njihovoj imovini. Ne izlažite proizvod prekomjernoj vlazi, prašini, prljavštini ili korozivnim parama. Nemojte montirati opremu ili pribor na stroj koji nije predviđen ili odobren od strane proizvođača. Nikada ne pokušavajte modificirati proizvod. Neovlaštene izmjene ili dodaci mogu dovesti do ozbiljnih ozljeda ili smrti operatera ili drugih. Za rastavljanje i servis, koji nisu obuhvaćeni ovim priručnikom, obratite se svom ovlaštenom prodavaču. Ako se nešto pokvari ili dođe do nezgode tijekom rada, odmah isključite stroj i odmaknite ga kako biste spriječili daljnja oštećenja. U slučaju da strano tijelo uđe u stroj, odmah ga zaustavite, pregledajte ima li oštećenja i izvršite popravke prije ponovnog pokretanja.

ZAŠITNA OPREMA

Obavezno koristite odgovarajuću i certificiranu zaštitnu opremu kada radite s jedinicom. Uvijek nosite odjeću koja ne otežava pokrete, zaštitne rukavice, zaštitne naočale, respirator s polumas-kom, zaštitu za uši i zaštitne čizme protiv smicanja s neklizajućim potplatom. Nikada ne nosite šalove, ogrlice ili bilo koji viseći ili lepršav dodatak i odjeću koja bi se mogla zapeti u stroju. Zavežite kosu ako je duga.

OPASNOSTI OD OTROVA

Radite samo na otvorenom i u dobro prozračenim prostorima. Kada radi, motor ispušta otrovni ugljični monoksid, plin bez mirisa i boje. Udisanje ugljičnog monoksida uzrokovati će mučninu, nesvjesticu ili smrt. Nemojte raditi sa strojem u skućenom prostoru gdje se mogu razviti opasne pare ugljičnog monoksida ili u blizini otvorenih prozora. Gorivo i ulje su izuzetno otrovni. Nemojte udisati plinove koji isparavaju gorivo i uvijek nosite odgovarajuću zaštitnu opremu pri rukovanju njima. Gorivo i ulje uvijek skladištite u odobrenim spremnicima i odgovorno ih zbrinite.

OPASNOSTI OD POŽARA I OPEKA

Benzin i ulje su zapaljivi. Prije uporabe slijedite upute svakog proizvođača. Potencijalne izvore vatre ili iskre uvijek treba držati podalje. Nemojte pušiti

u blizini stroja ili goriva i ulja. Gorivo puniti samo na otvorenom, u dobro prozračenom prostoru, s ugašenim motorom. Polako otvorite spremnik goriva kako bi se tlak u njemu postupno smanjivao. Nemojte prepuniti spremnik goriva. Uvjerite se da postoji neka udaljenost između rezervnog spremnika benzina i jedinice, kako biste spriječili nepotrebnu opasnost. Prije pokretanja motora uvjerite se da je sve proliveno gorivo i ulje obisano. Neki dijelovi stroja se dovoljno zagriju da zapale zapaljive materijale. Nemojte koristiti u područjima s visokim rizikom od požara. Nemojte usmjeravati prigušivač, a time i ispušne plinove prema zapaljivim materijalima.

Ako dođe do požara, upotrijebite odgovarajući aparat za gašenje požara posebno dizajniran za požar na ulju i benzin.

Neki dijelovi stroja se dovoljno zagriju da izazovu opekline. Pazite da ih ne dodirujete kako biste izbjegli opekline. Pustite da se stroj ohladi prije nego što ga spremite.

SIGURNOSNA UPOZORENJA KATEGORIJE

SIGURAN RAD

Sve operativne poluge stroja moraju se lako pomicati iz jednog položaja u drugi i ne smiju se prisiljavati. Električni kabeli i kabel svječice moraju biti u savršenom stanju kako bi se izbjeglo stvaranje iskri. Poklopac svječice mora biti ispravno postavljen na svječicu. Rukohvati i zaštitni uređaji moraju biti čisti i suhi, kao i sigurno pričvršćeni na stroj. Prije početka rada uvijek provjerite ima li predmeta koji bi mogli blokirati zaslon za usis zraka. Začepljen usis zraka smanjuje performanse stroja i povećava radnu temperaturu motora, što može dovesti do kvara motora.

Provjerite jeste li zaustavili stroj:

- ▶ Prilikom montaže ili skidanja pribora.
- ▶ Kad god ostavite stroj bez nadzora.
- ▶ Tijekom točenja goriva.
- ▶ Tijekom čišćenja ili održavanja.
- ▶ Prilikom kretanja između radnih područja.
- ▶ Tijekom transporta.
- ▶ Prije skladištenja.

OPASNOSTI OD STRUJE

Provjerite jesu li električne utičnice stroja te kabeli i utikači koji su na njega spojeni u dobrom stanju i nisu istrošeni. Nikada nemojte koristiti oštećeni stroj ili stroj s oštećenim ili istrošenim električnim kabelima i utikačima. Ne izlažite stroj i električne kabele mokrim uvjetima i nemojte ih dodirivati kada su mokri. Koristite kontakt uzemljenja. Nemojte doći u dodir s uzemljenim površinama ili električnim kabelima kako biste izbjegli opasnost od strujnog udara. Nemojte koristiti kabel za izvlačenje utikača iz utičnice. Uvijek odvedite kabel za napajanje dalje od stražnje strane stroja i zaštitite ga od topline, ulja i oštrih predmeta. . Kada se stroj koristi na otvorenom, koristite samo produžne kabele namijenjene za vanjsku upotrebu. Poprečni presjek produžnog kabela mora biti najmanje 1,5 mm², a mrežni priključak mora biti zaštićen odgovarajućim osiguračem.

OPASNOSTI OD ROTIRAJUĆIH DIJELOVA

Rotirajući dijelovi mogu uzrokovati ozbiljne ozljede. Izbjegavajte kontakt s rotirajućim dijelovima dok su još u rotaciji.

OPASNOSTI OD BUKE I VIBRACIJA

Razine buke i vibracija prikazane u ovim uputama su maksimalne razine za korištenje stroja. Nedovoljno održavanje ima značajan utjecaj na vibracije i emisije buke. Slijedom toga, potrebno je poduzeti preventivne korake kako bi se otklonila moguća oštećenja zbog visoke razine buke i stresa od vibracija. Dobro održavajte stroj, nosite štitnike za uši, antivibracijske rukavice i pravite pauze tijekom rada. Tijekom radnog dana pravite česte i primjerene pauze kako biste spriječili oštećenja od vibracija i oštećenja ušiju.

OPASNOSTI NA RADNOM PODRUČJU

Temeljito pregledajte cijelo radno područje i uklonite sve što bi moglo biti opasan izvor ili oštetiti stroj. Provjerite da nema promatrača, životinja ili predmeta koji bi se mogli oštetiti unutar područja djelovanja stroja.

Radite samo na dnevnom svjetlu, ili uz odgovarajuću umjetnu svjetlost, u uvjetima dobre vidljivosti. Pokušajte ne uzrokovati nikakve smetnje bukom, koristeći ovaj stroj samo u razumno doba dana.

Zauzmite čvrst i uravnotežen položaj. Gdje je moguće, izbjegavajte rad na mokrom, skliskom tlu ili u svakom slučaju na neravnom ili strmom tlu koji ne jamči stabilnost za operatera ili ispravne radne uvjete za stroj.

Upravljajte strojem u slobodnom prostoru, daleko od okolnih predmeta ili zidova kako biste zajamčili siguran rad i čistu cirkulaciju zraka za usis.

PREOSTALE OPASNOSTI

Stroj je izrađen suvremenom tehnologijom i u skladu s priznatim sigurnosnim pravilima. Čak i kada su sve sigurnosne mjere na snazi, mogu biti prisutne neke preostale opasnosti koje još nisu očite. Operater bi trebao koristiti zdrav razum i poduzeti potrebne mjere kako bi izbjegao rizik zbog preostalih opasnosti.

SPECIFIKACIJE PROIZVODA

NAMJENA

Ovaj stroj je dizajniran i proizveden za opskrbu električnom energijom u područjima gdje je električna energija nedostupna ili nepouzdana. Svaka druga uporaba koja se razlikuje od gore navedenih može biti opasna, oštetiti ljude i oštetiti stvari i sam stroj.

NEPRAVILNA UPOTREBA

Stroj se ne smije koristiti za napajanje drugih uređaja osim onih za koje je namijenjen prema njegovim specifikacijama.

Drugi primjeri nepravilne uporabe mogu uključivati, ali nisu ograničeni na rad stroja:

- ▶ Bez originalne dodatne opreme koju je isporučio proizvođač.

- ▶ S originalnim priborom, ali na način koji nije u skladu s uputama.
- ▶ Bez originalnih rezervnih dijelova.
- ▶ Uz neovlaštene izmjene.
- ▶ Prema važećim zakonima o odgovornosti za proizvode, proizvođač uređaja ne preuzima odgovornost za štetu na proizvodu ili štetu uzrokovanu proizvodom koja nastaje zbog:
- ▶ Nepravilno rukovanje nije u skladu s uputama za uporabu.
- ▶ Popravke obavljaju treće strane, a ne ovlaštene serviseri.
- ▶ Ugradnja neoriginalnih rezervnih dijelova.
- ▶ Nenamjenska uporaba.
- ▶ Kvar električnog sustava zbog rada stroja na način koji nije u skladu s električnim i VDE propisima.

TEHNIČKI PODACI STRANICA 18

IDENTIFIKACIJA (SL. 1-2)

1. Transportna ručka
2. Poklopac rezervoara za gorivo
3. Upravljačka ploča
4. Pokretni starter
5. Pristup svjećici
6. Ispušni
7. Pristup motornom ulju
8. Glavni prekidač
9. Indikator niske razine ulja
10. Indikator preopterećenja
11. Indikator izlazne snage
12. Prekidač pametne kontrole motora (ESC).
13. AC toplinska zaštita
14. Utikači za paralelno povezivanje
15. DC toplinska zaštita
16. DC (USB) izlaz
17. Uzemljeni terminal
18. DC (punjenje baterije) izlaz
19. AC izlaz

OPERACIJA

PREDOPERACIJA

Raspakiranje i dovršavanje montaže treba obaviti na ravnoj i stabilnoj površini, s dovoljno prostora za pomicanje stroja i njegove ambalaže, uvijek koristeći prikladnu opremu. Po potrebi, montažu treba obaviti obučeno osoblje u najbližoj trgovini. Punjenje goriva i podmazivanje

UPOZORENJE

Stroj se isporučuje bez ulja i goriva. Ovaj proizvod je opremljen 4-taktnim motorom što znači da se u spremnik goriva treba koristiti benzin, a motor treba biti napunjen uljem. Specifikacije goriva: Bezolovni benzin ili 90 oktana više.

Kapacitet rezervoara za gorivo: Pogledajte "TABLU TEHNIČKIH PODATAKA"

Za punjenje stroja gorivom (Sl. 3):

- ▶ Skinite poklopac spremnika za gorivo.
- ▶ Dolijte gorivo do gornje razine spremnika za gorivo. Ostavite najmanje 5 mm prostora između vrha goriva i unutarnjeg ruba spremnika kako biste omogućili širenje. Polovina duljine

filtera poklopca spremnika goriva također može poslužiti kao gornji znak razine goriva, gdje je dostupan.

- ▶ Ponovno namjestite poklopac spremnika za gorivo i zatignite ga na odgovarajući način.

UPOZORENJE

Poklopac spremnika goriva opremljen je gumbom za ventilaciju za zaustavljanje protoka goriva. Gumb za ventilaciju mora biti okrenut na "ON". To će omogućiti protok goriva u rasplinjač i rad motora. Kada se motor ne koristi, okrenite gumb za ventilaciju na "OFF" kako biste zaustavili protok goriva.

UPOZORENJE

Uvijek koristite čistu posudu za skladištenje goriva i nemojte koristiti gorivo pohranjeno duže od mjesec dana.

Specifikacije ulja: Za opću uporabu (5°C - 38°C) preporučeno ulje je 4-taktno motorno ulje SAE 15W40 (Sl. 4).

Kapacitet motornog ulja: Pogledajte "TABCU TEHNIČKI PODATAKA"

Za punjenje motora uljem:

- ▶ Skinite čep za punjenje ulja (Sl. 5.1) s grla za punjenje motornog ulja (Sl. 5.2). Donji dio je indikator razine ulja.
- ▶ Postupno dodajte dovoljno ulja da se razina ulja dovede do ruba grla za punjenje ulja, do gornje razine (Sl. 5.3) i ne niže od donje razine (Sl. 5.4).
- ▶ Ponovno namjestite poklopac spremnika za ulje i zategnite ga na odgovarajući način.

UPOZORENJE

Koristite lijevak kako biste izbjegli prolijevanje goriva ili ulja. Prije pokretanja motora obrišite proliveno gorivo i ulje.

Za spajanje baterije (Sl. 6), vrijedi samo za modele s električnim startom:

- ▶ Otvorite poklopac baterije.
- ▶ Izvadite bateriju iz njenog položaja.
- ▶ Spojite pozitivni (crveni) kabel na pozitivni pol baterije.
- ▶ Spojite negativni (crni) kabel na negativni pol baterije.
- ▶ Ponovno postavite bateriju u njezinu ploču.

POKRETANJE JEDINICE

Prije pokretanja stroja:

- ▶ Provjerite jeste li i stroj i vi na stabilnom tlu.
 - ▶ Provjerite jesu li svi pričvršćivači pričvršćeni na svoje mjesto.
 - ▶ Odvojite sva električna opterećenja od generatora. Nikada nemojte pokretati ili zaustavljati generator s uključenim ili uključenim električnim uređajima.
 - ▶ Provjerite je li filter zraka čist i da usis i odvod zraka nisu začepljeni stranim materijalima.
 - ▶ Napunite potrebnu količinu ulja i goriva.
- Za pokretanje stroja:
- ▶ Okrenite prekidač ESC na "OFF" (Sl. 1.12).
 - ▶ Okrenite gumb za odzračivanje na spremniku goriva (Sl. 7) na "ON".
 - ▶ Pomaknite glavni prekidač (Sl. 8) u položaj "CHOKE".

BILJEŠKA

Ovaj korak se odnosi samo na hladno pokretanje motora. Kada je motor već topao ili je temperatura

okoline visoka, glavni prekidač bi trebao cijelo vrijeme ostati u položaju "ON".

Lijevom rukom čvrsto uhvatite ručku stroja, a desnom rukom rukohvat startera (Sl. 9.2) motora. Povucite rukohvat startera dok ne osjetite otpor da biste uključili motor, a zatim snažno povucite da biste pokrenuli motor.

UPOZORENJE

Kako biste izbjegli prekid startnog užeta (Sl. 9.1), nemojte ga povlačiti cijelom dužinom niti pustiti da klizi po rubu otvora za vodilicu kabela. Postupno otpuštajte starter kako biste izbjegli da nekontrolirano odleti na trag.

BILJEŠKA:

Za strojeve s električnim paljenjem, umjesto toga možete koristiti prekidač za paljenje, tako da ga kratko pritisnete dok se motor ne pokrene.

Kako se motor zagrijava, pomaknite glavni prekidač u položaj "ON", ako je motor bio hladan.

BILJEŠKA

Za maksimalnu učinkovitost i pouzdanost, dopustite motoru da se zagrije prije rada pri punom opterećenju, radeći dvije do tri minute u praznom hodu.

UPRAVLJANJE JEDINICOM

Glavni prekidač

- ▶ OFF: Krug paljenja je isključen i gorivo je isključeno. Motor neće raditi.
- ▶ UKLJUČENO: Krug paljenja je uključen, gorivo je uključeno i prigušnica je uključena. Motor može raditi.
- ▶ CHOKE: Krug paljenja je uključen, gorivo je uključeno i prigušnica je isključena. Motor se može pokrenuti.

Indikator izlazne snage

AC žaruljica (zeleno) se pali kada se motor pokrene i proizvodi snagu.

Indikator niske razine ulja

Kada razina ulja padne ispod donje razine, pali se lampica upozorenja za ulje (crvena) i tada se motor automatski zaustavlja. Osim ako ne dolijete ulje, motor se neće ponovno pokrenuti.

BILJEŠKA

Ako se motor zaustavi ili se ne pokrene, okrenite prekidač motora u položaj "ON" i zatim povucite povratni starter. Ako lampica upozorenja za ulje treperi nekoliko sekundi, motorno ulje je nedovoljno. Dodajte ulje i ponovno pokrenite.

Indikator preopterećenja

Svjetlo indikatora preopterećenja (crveno) se pali kada se detektira preopterećenje priključenog električnog uređaja, pregrijava se upravljačka jedinica pretvarača ili raste izlazni napon izmjenične struje. Zatim će se aktivirati AC zaštitnik, zaustavljajući proizvodnju energije kako bi zaštitio generator i sve priključene električne uređaje. Kontrolno svjetlo za izmjeničnu struju (zeleno) će se ugasi i svjetlo indikatora preopterećenja (crveno) će ostati uključeno, ali motor neće prestati raditi.

Kada se upali indikator preopterećenja i prestane proizvodnja energije, postupite na sljedeći način:

- ▶ Isključite sve priključene električne uređaje i zaustavite motor.
- ▶ Smanjite ukupnu snagu priključenih električnih uređaja unutar nazivne snage.
- ▶ Provjerite ima li začepljenja na ulazu rashladnog zraka i oko upravljačke jedinice. Ako se pronađu blokade, uklonite ih.
- ▶ Nakon provjere, ponovno pokrenite motor.

BILJEŠKA

Svjetlo indikatora preopterećenja može se prvo upaliti na nekoliko sekundi kada se koriste električni uređaji koji zahtijevaju veliku startnu struju, kao što je kompresor ili potopna pumpa. Međutim, to nije kvar.

Toplinski prekidači

Prekidač automatski iskoči kada električni uređaj koji je spojen na generator radi i struja je iznad nazivnog protoka, zaustavljajući proizvodnju energije kako bi zaštitio generator i sve priključene električne uređaje.

Kada je termički prekidač uključen i proizvodnja struje prestane, postupite na sljedeći način:

- ▶ Isključite sve priključene električne uređaje i zaustavite motor.
- ▶ Smanjite ukupnu snagu priključenih električnih uređaja unutar nazivne snage.
- ▶ Provjerite ima li začepljenja na ulazu rashladnog zraka i oko upravljačke jedinice. Ako se pronađu blokade, uklonite ih.
- ▶ Gurnite termalni prekidač natrag u položaj.
- ▶ Nakon provjere, ponovno pokrenite motor.

UPOZORENJE

Ako se toplinska zaštita ponovno aktivira, odmah prestanite koristiti uređaj i obratite se ovlaštenom distributeru naše tvrtke.

Pametna kontrola motora (ESC)

- ▶ **UKLJUČENO:** Kada je prekidač ESC okrenut na "ON", ekonomična kontrolna jedinica kontrolira brzinu motora, prema priključenom opterećenju. Kao rezultat toga, potrošnja goriva i buka su niži. Koristite ovu funkciju samo kada je opterećenje na generatoru polovica njegove nazivne izlazne snage ili niže.
- ▶ **ISKLJUČENO:** Kada je prekidač ESC okrenut na "OFF", motor radi na nazivnom broju okretaja u minuti, neovisno o tome je li opterećenje priključeno ili ne.

UPOZORENJE

ESC se mora isključiti kada se koriste električni uređaji koji zahtijevaju veliku startnu struju, kao što je kompresor potopne crpke, ili kada je opterećenje primijenjeno na generator veće od polovice njegove nazivne izlazne snage.

Uzemljeni terminal

Stezaljka za uzemljenje povezuje vod uzemljenja radi sprječavanja strujnog udara. Kada je električni uređaj uzemljen, generator uvijek mora biti uzemljen. Kako bi se spriječio strujni udar zbog loših električnih uređaja ili pogrešne upotrebe električne energije, generator mora biti uzemljen kvalitetnim izoliranim vodičem.

Za zaustavljanje stroja:

- ▶ Isključite i iskopčajte sva električna opterećenja.

UPOZORENJE

Nikada nemojte pokretati ili zaustavljati generator s uključenim ili uključenim električnim uređajima.

- ▶ Neka generator radi u praznom hodu nekoliko minuta, kako bi se stabilizirale unutarnje temperature motora i generatora.
- ▶ Okrenite glavni prekidač u položaj "OFF". Krug paljenja je uključen. Gorivo je isključeno.

ODRŽAVANJE I ČIŠĆENJE

UPOZORENJE

Nikada ne obavljajte održavanje ili čišćenje dok jedinica radi. Uvijek radite na hladnoj jedinici. Prije čišćenja ili održavanja, odvojite poklopac svjećice i pročistite odgovarajuće upute. Uvijek nosite odgovarajuću odjeću i zaštitne rukavice kad god su vaše ruke u opasnosti.

Sve prilagodbe ili radnje održavanja koje nisu opisane u ovom priručniku mora izvršiti vaš prodavač ili specijalizirani servisni centar s potrebnim znanjem i opremom kako bi se osiguralo da se posao obavlja ispravno uz održavanje izvorne sigurnosne razine stroja. Sve radnje izvršene u neovlaštenim centrima ili od strane nequalificiranih osoba u potpunosti će poništiti Jamstvo i sve obveze i odgovornosti Proizvođača. Držite sve matice i vijke čvrsto kako biste bili sigurni da je stroj uvijek u sigurnom radnom stanju. Rutinsko održavanje ključno je za sigurnost i održavanje visoke razine performansi.

UPOZORENJE

Nikada nemojte koristiti stroj s istrošenim ili oštećenim dijelovima. Neispravne ili istrošene dijelove uvijek je potrebno zamijeniti, a ne popravljati. Koristite samo originalne rezervne dijelove.

RASPORED ODRŽAVANJA

Stavke	Frekvencija	Prije svake uporabe			
		Nakon 1. mjeseca ili prvih 20 sati operacije	Svaka 3 mjeseca ili 150 sati rada	Svaki 12 mjeseci ili 100 sati rada	Svaka 24 mjeseca ili 250 sati rada
Kompletna jedinica	Vizualni pregled	✓			
Ručke za upravljanje	Provjerite rad	✓			
Odvodnik iskre (ako postoji)	Ček		✓*		
Motorno ulje	Ček-dopunjavanje	✓			
	Zamijeniti		✓	✓	

Zračni filter	Ček	√				
	Čist		√			
	Zamijeniti			√		
Svječica	Provjerite-prilagodite	√		√*		
Cijev za gorivo i filter	Provjerite - očistite **				√*	
Spremnik za gorivo	Provjerite - očistite **					√*
Šalica za polog (ako je dostupna)	Čist		√	√		
Zazor ventila	Ček - prilagodba **				√	
Komora za izgaranje	Provjerite - očistite **					√*

*Ove stavke treba zamijeniti ako je potrebno.
** Ove operacije smije izvoditi samo ovlašteni prodavač koji ima odgovarajuće alate i potrebno mehaničko znanje.

MOTORNO ULJE UPOZORENJE

Provjeru razine i promjenu ulja treba obaviti na čvrstom i ravnom terenu. Motor mora uvijek biti zaustavljen. Ako je motor bio u pogonu, bit će vruć i postupak treba obaviti s oprezom i potrebnim mjerama opreza kako bi se izbjegla opasnost od opekline.

BILJEŠKA

Ispustite iskorišteno ulje dok je motor topao. Toplo ulje brzo i potpuno iscuri.

Za provjeru razine ulja:

1. Skinite čep za punjenje ulja (Sl. 10.6) s grla za punjenje motornog ulja (Sl. 10.1).
2. Provjerite razinu ulja. Razina ulja treba doseći rub (Sl.10.7) grla za punjenje ulja. Ako je potrebno, dodajte dovoljno ulja da se razina ulja dovede do ruba grla za punjenje ulja, do gornje razine i ne niže od donje razine.
3. Ponovno namjestite poklopac spremnika za ulje i zategnite ga na odgovarajući način.

Za promjenu ulja:

1. Skinite čep za punjenje ulja s grla za punjenje motornog ulja.
2. Stavite odgovarajuću posudu (Sl. 10.3) ispod otvora za ispuštanje ulja (Sl. 10.2) kako biste uhvatili iskorišteno ulje.
3. Skinite čep za ispuštanje ulja (sl. 10.4) i podlošku (Sl. 10.5) kako biste omogućili da ulje potpuno iscuri.
4. Ponovno namjestite čep za ispuštanje ulja s podloškom i zategnite ga na odgovarajući način.
5. Postupno dodajte dovoljno ulja da se razina ulja dovede do ruba grla za punjenje ulja, do gornje razine i ne niže od donje razine.
6. Ponovno namjestite poklopac spremnika za ulje i zategnite ga na odgovarajući način.

BILJEŠKA

Ako motor često radi u ekstremno prašnjavim ili drugim teškim okolnostima, mijenjajte motorno ulje svakih 25 sati.

UPOZORENJE

Rad motora će niska razina ulja uzrokovati oštećenje motora.

ZRAČNI FILTER

UPOZORENJE

Rad motora bez pročistača zraka ili s oštećenim pročistačem zraka omogućit će ulazak prljavštine u motor, uzrokujući brzo trošenje motora.

Za provjeru, čišćenje ili promjenu filtera zraka:

1. Skinite poklopac filtra zraka (Sl. 11.1).
2. Provjerite je li element filtra zraka (Sl. 11.2) čist i u dobrom stanju. Ako je prljav, uklonite ga i očistite.
3. Za čišćenje pjenastog elementa filtra zraka operite ga kućnim deterdžentom i toplom vodom i ostavite da se osuši. Zatim ga namočite u čisto zasićeno motorno ulje i lagano istisnite višak ulja. Ako je potrebno, zamijenite ga novim.
4. Za čišćenje papirnog elementa filtra zraka, očistite lagano prljavštinu nježno ga nekoliko puta zalijepite na tvrdu površinu i zamijenite ako je prisutna velika prljavština.
5. Očistite unutrašnjost kućišta filtra zraka i pokrijte ga od prljavštine mekom krpom. Ako je motor opremljen zračnim filterom tipa uljne kupke, zamijenite ulje novim motornim uljem.
6. Ponovno postavite element filtra zraka i slijedite obrnuti postupak kako biste vratili poklopac filtra zraka na mjesto.

UPOZORENJE

Nikada nemojte čistiti zračni filter zapaljivim deterdžentima ili deterdžentima niske točke paljenja kako biste izbjegli rizik od požara ili eksplozije.

BILJEŠKA

Ako motor često radi u prašnjavim ili drugim teškim okolnostima, očistite zračni filter svakih 10 sati i dolijte mu ulje za zamjenu novim. Ako je potrebno, mijenjajte element filtra zraka svakih 25 sati.

SVJEČICA

Za održavanje svječice (Sl. 12.4):

1. Skinite poklopac svječice (slika 12.1) kako biste pristupili svječici (Sl. 12.2).
2. Upotrijebite odgovarajući alat za svječicu (Sl. 12.3) da pažljivo uklonite svječicu.
3. Provjerite stanje svječice i njene elektrode. Mora biti čist i ne istrošen. Provjerite je li razmak svječice između 0,7 i 0,8 mm. Zamijenite svječicu novom, ako je potrebno.
4. Pažljivo rukom uvucite svječicu u motor.
5. Nakon navoja, upotrijebite odgovarajući alat za svječicu da zategnete svječicu, pazeći da ne koristite prekomjernu silu koja bi oštetila navoje.
6. Ponovno pričvrstite poklopac svječice.

UPOZORENJE

Nikada nemojte dopustiti da prljavština ili krhotine uđu u provrt cilindra. Prije uklanjanja svječice, temeljito očistite svječicu i područje glave cilindra.

FILTER GORIVA

Spremnik goriva može biti opremljen filterom (slika 13), ovisno o modelu kormila, koji se nalazi na poklopcu spremnika goriva. Filter goriva se može izvaditi i treba ga povremeno provjeravati. Ako je filter prljav, očistite ga i po potrebi zamijenite novim. U slučaju da je unutrašnjost spremnika za gorivo prljava, može se očistiti ispiranjem spremnika za gorivo čistim benzinom.

ČIŠĆENJE

Koristite malu meku četku za čišćenje vanjske strane jedinice. Nemojte koristiti jake deterdžente. Sredstva za čišćenje u kućanstvu koja sadrže aromatična ulja poput bora i limuna te otapala poput kerozina mogu oštetiti plastičnu kućište ili ručku. Obrišite svu vlagu mekom krpom.

SKLADIŠTENJE UPOZORENJE

Nikada nemojte spremati jedinicu s gorivom u spremniku i uvijek ostavite da se ohladi prije skladištenja. Uređaj čuvajte samo u suhim i dobro prozračenim prostorima.

U slučaju da će jedinica biti pohranjena dulje vrijeme, upotrijebite sljedeći postupak skladištenja:

1. Ispustite svo gorivo iz spremnika za gorivo.
2. Pokrenite motor dok se ne zaustavi zbog nedostatka goriva.
3. Zamijenite motorno ulje novim.
4. Izvadite svjećicu i ulijte 30 ml visokokvalitetnog motornog ulja u cilindar. Polako povucite uže za pokretanje kako biste rasporedili ulje, a zatim vratite svjećicu.
5. Temeljito očistite jedinicu i pregledajte ima li labavih ili oštećenih dijelova. Popravite ili zamijenite oštećene dijelove i zategnite olabavljene vijke, matice ili vijke.
6. Podmažite sve potrebne dijelove uljnom krpom kako biste izbjegli nakupljanje hrđe.

ZAŠTITA OKOLIŠA

Reciklirajte sirovine umjesto da ih odlažete kao otpad. Stroj, pribor i ambalažu treba razvrstati za ekološki prihvatljivo recikliranje. Plastične komponente označene su za kategorizirano recikliranje. Odložite iskorišteno motorno ulje i posude na način koji je kompatibilan s okolišem. Predlažemo da ga u zatvorenom spremniku odnesete u lokalni centar za reciklažu ili servisnu stanicu na povrat. Nemojte ga bacati u smeće, sipati na zemlju ili sipati u odvod.

JAMSTVO

Ovaj proizvod je pod jamstvom u skladu sa pravnim/specifičnim propisima zemlje, koji su na snazi od datuma kupnje od strane prvog korisnika. Oštećenja koja se mogu pripisati normalnom trošenju, preopterećenju ili nepravilnom rukovanju bit će isključena iz jamstva. U slučaju reklamacije, pošaljite stroj, potpuno sastavljen, svom proizvođaču ili službenom servisu.

ROMÂNĂ

AVERTIZĂRI GENERALE DE SIGURANȚĂ

Citiți și înțelegeți acest manual de utilizare înainte de a utiliza acest produs. Puteți ajuta la prevenirea accidentelor prin familiarizarea cu comenzile produsului dvs. și prin respectarea procedurilor de operare în siguranță și a semnelor de siguranță. Folosește-te în întotdeauna bunul simț pentru a evita toate situațiile considerate peste capacitatea ta. Nu utilizezi când sunteți obosit sau sub influența drogurilor, alcoolului sau a oricăror alte medicamente. Țineți trecătorii și animalele care ar putea fi rănite, precum și obiectele care ar putea fi deteriorate, departe în timpul funcționării. Nu permiteți niciodată copiilor sau persoanelor care nu sunt familiarizate cu aceste instrucțiuni să folosească produsul. Legile locale pot restricționa vârsta minimă a operatorului. Rețineți că operatorul sau utilizatorul este responsabil pentru accidente sau evenimente neașteptate care au loc asupra altor persoane, animale sau proprietăți ale acestora. Nu expuneți produsul la umiditate excesivă, praf, murdărie sau vapori corozivi. Nu montați echipamente sau accesorii pe mașină neprevăzute sau aprobate de producător. Nu încercați niciodată să modificați produsul. Modificările sau accesoriile neautorizate pot duce la vătămări corporale grave sau moartea operatorului sau a altora. Consultați dealerul dumneavoastră autorizat pentru dezasamblare și service, care nu sunt tratate în acest manual. Dacă ceva se rupe sau are loc un accident în timpul lucrului, opriți imediat mașina și îndepărtați-o pentru a preveni deteriorarea ulterioară. În cazul în care un corp străin a pătruns în mașină, opriți-l imediat, verificați-l pentru eventuale deteriorări și efectuați reparații înainte de a-l porni din nou.

ECHIPAMENT DE PROTECTIE

Asigurați-vă că utilizați echipament de protecție adecvat și certificat atunci când utilizați unitatea. Purtați întotdeauna îmbrăcăminte care nu împiedică mișcările, mănuși de protecție, ochelari de protecție, respirator cu semi-mască, protecție pentru urechi și cizme de siguranță antiforfecare cu tălpi antiderapante. Nu purtați niciodată eșarfe, coliere sau orice accesorii și îmbrăcăminte care s-ar putea prinde în mașină. Legați-vă părul dacă este lung.

PERICOLE DE OTRAVĂ

Operați numai în aer liber și în zone bine ventilate. Când funcționează, motorul evacuează monoxid de carbon otrăvitor, un gaz inodor și incolor. Inhalarea monoxidului de carbon va provoca greață, leșin sau moarte. Nu utilizați mașina într-un spațiu închis în care se pot dezvolta vapori periculoși de monoxid de carbon sau lângă ferestre deschise. Combustibilul și uleiul sunt extrem de toxice. Nu inhalați gazele de evaporare ale combustibilului și purtați întotdeauna echipament de protecție adecvat atunci când le manipulați. Depozitați întotdeauna combustibilul și uleiul în recipiente aprobate și aruncați-le în mod responsabil.

PERICOLE DE INCENDI ȘI ARSURI

Benzina și uleiul sunt inflamabile. Urmați instrucțiunile furnizate de fiecare producător înainte de utilizare. Sursele potențiale de foc sau scântei trebuie ținute la distanță în orice moment. Nu fumați lângă mașină sau orice combustibil și ulei. Alimentați numai în aer liber, într-o zonă bine ventilată, cu motorul oprit. Deschideți încet rezervorul de combustibil pentru a permite presiunii din interior să scadă treptat. Nu umpleți excesiv rezervorul de combustibil. Asigurați-vă că există o anumită distanță între orice rezervor de benzină de rezervă și unitate, pentru a preveni pericolele inutile. Asigurați-vă că orice combustibil și ulei vărsat au fost șters înainte de a porni motorul.

Unele părți ale mașinii devin suficient de fierbinți pentru a aprinde materiale inflamabile. Nu utilizați în zone cu risc ridicat de incendiu. Nu îndreptați amortizorul și, prin urmare, gazele de eșapament spre materiale inflamabile.

Dacă apare un incendiu, utilizați un stingător adecvat special conceput pentru incendiu cu ulei și benzină.

Unele părți ale mașinii se încălzesc suficient pentru a provoca arsuri. Acordați atenție să nu le atingeți pentru a nu vă arde. Lăsați mașina să se răcească înainte de a o depozita.

CATEGORIA AVERTIZĂRI DE SIGURANȚĂ

OPERAREA SIGURANTA

Toate părțile operaționale ale mașinii trebuie să se deplaseze cu ușurință dintr-o poziție în alta și nu trebuie să fie forțate. Cablurile electrice și cablul bujiilor trebuie să fie în stare perfectă pentru a evita generarea oricăror scântei. Capacul bujiei trebuie montat corect pe bujie. Mănerile și dispozitivele de protecție trebuie să fie curate și uscate, precum și bine fixate pe mașină.

Verificați întotdeauna dacă există obiecte care ar putea bloca șita de admisie a aerului înainte de a începe lucrul. O admisie de aer înfundată reduce performanța mașinii și crește temperatura de lucru a motorului, ceea ce poate duce la defecțiunea motorului.

Asigurați-vă că opriți mașina:

- ▶ La montarea sau demontarea accesoriilor.
- ▶ Ori de câte ori lăsați aparatul nesupravegheat.
- ▶ În timpul realimentării.
- ▶ În timpul curățării sau întreținerii.
- ▶ Când vă deplasați între zonele de lucru.
- ▶ În timpul transportului.
- ▶ Înainte de depozitare.

PERICOLE CU ELECTRICITATE

Asigurați-vă că prizele electrice ale mașinii și cablurile și ștecherile care sunt conectate la acesta sunt în stare bună și nu sunt uzate. Nu utilizați niciodată o mașină deteriorată sau o mașină cu cabluri și ștecheri electrice deteriorate sau uzate. Nu expuneți mașina și cablurile electrice la condiții umede și nu atingeți niciodată când sunt ude. Utilizați contactul cu pământul. Nu intrați în contact cu suprafețe împământate sau cabluri electrice, pentru a evita riscul de electrocutare.

Nu folosiți cablul pentru a scoate ștecherul din priză. Conduceți întotdeauna cablul de alimentare departe de partea din spate a mașinii și protejați-l de căldură, ulei și obiecte ascuțite. Când mașina urmează să fie utilizată în aer liber, utilizați numai prelungitoare destinate utilizării în exterior. Secțiunea transversală a oricărui cablu prelungitor trebuie să măsoare cel puțin 1,5 mm2, iar conexiunea la rețea trebuie protejată cu o siguranță adecvată.

PERICOLE PIESE ÎN ROTARE

Piese rotative pot provoca vătămări grave. Evitați contactul cu piesele rotative când acestea sunt încă în rotație.

PERICOLE DE ZGOMOT ȘI VIBRAȚII

Nivelurile de zgomot și vibrații indicate în aceste instrucțiuni sunt nivelurile maxime de utilizare a mașinii. Întreținerea insuficientă are un impact semnificativ asupra vibrațiilor și emisiilor de zgomot. În consecință, este necesar să se ia măsuri preventive pentru a elimina eventualele daune datorate nivelurilor ridicate de zgomot și stres cauzat de vibrații. Întreține bine mașina, purtați dispozitive de protecție pentru urechi, mănuși anti-vibrații și luați pauze în timpul lucrului. În timpul unei zile de lucru, trebuie să faceți pauze frecvente și adecvate pentru a preveni deteriorarea cauzată de vibrații și deteriorarea urechilor.

PERICOLE ZONA DE LUCRU

Inspectați cu atenție întreaga zonă de lucru și îndepărtați orice ar putea fi o sursă periculoasă sau poate cauza deteriorarea mașinii. Verificați dacă nu există trecători, animale sau obiecte care ar putea fi deteriorate în raza de acțiune a mașinii.

Lucrați numai în timpul zilei sau cu lumină artificială adecvată, în condiții bune de vizibilitate. Încercați să nu provocați nicio perturbare de zgomot, utilizând acest aparat numai la ore rezonabile ale zilei.

Luați o poziție fermă și bine echilibrată. Acolo unde este posibil, evitați lucrul pe teren umed, alunecos sau în orice caz pe teren denivelat sau abrupt care nu garantează stabilitate pentru operator sau condiții de funcționare adecvate pentru mașină.

Utilizați mașina într-un spațiu liber, departe de obiectele sau pereții din jur pentru a garanta funcționarea în siguranță și circulația curată a aerului pentru admisie.

PERICOLE RĂMANE

Mașina a fost construită folosind tehnologie modernă și în conformitate cu regulile de siguranță recunoscute. Chiar și atunci când toate măsurile de siguranță sunt în vigoare, unele pericole rămase, care nu sunt încă evidente, pot fi prezente. Operatorul trebuie să folosească bunul simț și să ia măsurile de precauție necesare pentru a evita riscurile din cauza pericolelor rămase.

SPECIFICAȚIILE PRODUSULUI

UTILIZAREA PREVĂZUTĂ

Această mașină este proiectată și fabricată pentru a furniza energie electrică în zonele în care energia de utilitate este indisponibilă sau nesigură. Orice altă utilizare diferită de cele menționate mai sus poate fi periculoasă, poate dăuna oamenilor și poate deteriora lucrurile și mașina în sine.

UTILIZARE NEPRODUTĂ

Mașina nu trebuie utilizată pentru alimentarea altor aparate decât cele pentru care este destinată conform specificațiilor sale.

Alte exemple de utilizare necorespunzătoare pot include, dar nu sunt limitate, la funcționarea mașinii:

- ▶ Fara accesoriile originale furnizate de producător.
- ▶ Cu accesorii originale, dar într-un mod neconform cu instrucțiunile.
- ▶ Fara piese de schimb originale.
- ▶ Cu modificări neautorizate.
- ▶ În conformitate cu legile aplicabile privind răspunderea pentru produse, producătorul dispozitivului nu își asumă răspunderea pentru daunele aduse produsului sau daunele cauzate de produs care apar din cauza:
- ▶ Manipularea necorespunzătoare nu a respectat instrucțiunile de utilizare.
- ▶ Reparații efectuate de terți și nu de către tehnicienii de service autorizați.
- ▶ Instalarea pieselor de schimb neoriginale.
- ▶ Utilizare neintenționată.
- ▶ Defecțiunea sistemului electric din cauza funcționării mașinii într-un mod neconform cu reglementările electrice și VDE.

DATE TEHNICE PAGINA 18

IDENTIFICARE (FIG. 1-2)

1. Mâner de transport
2. Capac rezervor combustibil
3. Panou de control
4. Starter cu recul
5. Acces bujie
6. Epuiza
7. Acces ulei motor
8. Întrerupător principal
9. Indicator ulei scăzut
10. Indicator de suprasarcină
11. Indicator de ieșire de putere
12. Comutator de control inteligent al motorului (ESC).
13. Protecție termică AC
14. Fișe de conectare în paralel
15. Protecție termică DC
16. Leșire DC (USB).
17. Terminal la sol
18. Leșire DC (încărcare baterie).
19. Leșire AC

OPERAȚIUNE

PREOPERARE

Dezambalarea și finalizarea ansamblului trebuie efectuate pe o suprafață plană și stabilă, cu spațiu suficient pentru depășirea mașinii și a ambalajului acestuia, folosind întotdeauna echipamente adecvate. Asamblarea trebuie efectuată de personal instruit la cel mai apropiat magazin dealer, acolo unde este necesar.

Alimentare și lubrifiere

AVERTIZARE

Mașina se livrează fără ulei și combustibil.

Acest produs este echipat cu un motor în 4 timpi, ceea ce înseamnă că benzina trebuie utilizată în rezervorul de combustibil, iar motorul trebuie umplut cu ulei.

Specificații combustibil: Benzină fără plumb sau 90 octan mai mare.

Capacitatea rezervorului de combustibil: Consultați „TABELUL DE DATE TEHNICE”

Pentru a umple mașina cu combustibil (Fig. 3):

- ▶ Scoateți capacul rezervorului de combustibil.
- ▶ Adăugați combustibil la nivelul superior al rezervorului de combustibil. Lăsați un spațiu de minim 5 mm între partea superioară a combustibilului și marginea interioară a rezervorului pentru a permite expansiunea. Jumătate din lungimea filtrului capacului rezervorului de combustibil poate funcționa și ca indicator al nivelului de combustibil superior, acolo unde este disponibil.
- ▶ Repoziționați capacul rezervorului de combustibil și strângeți corespunzător.

AVERTIZARE

Capacul rezervorului de combustibil este prevăzut cu un buton de aerisire pentru a opri fluxul de combustibil. Butonul de aerisire trebuie rotit pe „ON”. Acest lucru va permite combustibilului să curgă către carburator și motorului să funcționeze. Când motorul nu este în uz, rotiți butonul de aerisire la „OFF” pentru a opri fluxul de combustibil.

AVERTIZARE

Utilizați întotdeauna recipient curat pentru depozitarea combustibilului și nu folosiți combustibilul depozitat mai mult de o lună.

Specificații ulei: Pentru uz general (5°C - 38°C) uleiul recomandat este ulei de motor în 4 timpi SAE 15W40 (Fig. 4).

Capacitatea uleiului de motor: Consultați „TABELUL DE DATE TEHNICE”

Pentru a umple motorul cu ulei:

- ▶ Scoateți capacul de umplere a uleiului (Fig. 5.1) de la gâtul de umplere a uleiului de motor (Fig. 5.2). Partea de jos a acestuia este indicatorul nivelului de ulei.
- ▶ Adăugați treptat suficient ulei pentru a aduce nivelul uleiului la buza gâtului de umplere cu ulei, până la nivelul superior (Fig. 5.3) și nu mai jos decât nivelul inferior (Fig. 5.4).
- ▶ Repoziționați capacul de umplere cu ulei și strângeți corespunzător.

AVERTIZARE

Utilizați o pâlnie pentru a evita vărsarea de combustibil sau ulei. Ștergeți orice combustibil și ulei vărsați înainte de a porni motorul.

Pentru conectarea bateriei (Fig. 6), se aplică numai

modelelor cu pornire electrică:

- ▶ Deschide panoul bateriei.
- ▶ Scoateți bateria din poziția sa.
- ▶ Conectați cablul pozitiv (roșu) la polul pozitiv al bateriei.
- ▶ Conectați cablul negativ (negru) la polul negativ al bateriei.
- ▶ Repoziționați bateria și panoul acesteia.

PORNIREA UNITĂȚII

Înainte de a porni mașina:

- ▶ Asigurați-vă că atât mașina, cât și dumneavoastră vă aflați pe un teren stabil.
- ▶ Verificați dacă toate elementele de fixare sunt fixate în poziție.
- ▶ Deconectați toate sarcinile electrice de la generator. Nu porniți sau opriți niciodată generatorul cu dispozitivele electrice conectate sau pornite.
- ▶ Verificați dacă filtrul de aer este curat și că admisia și evacuarea aerului nu sunt înfundate de materiale străine.
- ▶ Umpleți cu cantitatea necesară de ulei și combustibil.

Pentru a porni mașina:

- ▶ Rotiți comutatorul ESC pe „OFF” (Fig. 1.12).
- ▶ Rotiți butonul de aerisire al rezervorului de combustibil (Fig. 7) la „ON”.
- ▶ Mutați întrerupătorul principal (Fig. 8) în poziția „CHOKE”.

NOTĂ

Acest pas se aplică numai pornirii la rece a motorului. Când motorul este deja cald sau temperatura mediului ambiant este ridicată, întrerupătorul principal trebuie să rămână în poziția „ON” în orice moment.

Prindeți ferm mânerul mașinii cu mâna stângă și mânerul demarorului (Fig. 9.2) al motorului cu mâna dreaptă. Trageți mânerul demarorului până când simțiți rezistență pentru a cupla motorul și apoi trageți ferm pentru a porni motorul.

AVERTIZARE

Pentru a evita ruperea cablului de pornire (Fig. 9.1), nu trageți pe toată lungimea acestuia și nu lăsați-l să alunece de-a lungul marginii orificiului de ghidare a cablului. Eliberați demarorul treptat, pentru a evita să-l lăsați să zboare înapoi necontrolat.

NOTĂ:

Pentru mașinile cu aprindere electrică, puteți folosi comutatorul de contact, apăsând-l scurt până la pornirea motorului.

Pe măsură ce motorul se încălzește, mutați comutatorul principal în poziția „ON”, dacă motorul a fost pornit la rece.

NOTĂ

Pentru performanță și fiabilitate maxime, lăsați motorul să se încălzească înainte de a funcționa la sarcină maximă, rulând-l timp de două până la trei minute la ralanti.

FUNCȚIONAREA UNITĂȚII

Întrerupător principal

- ▶ OPRIT: Circuitul de aprindere este oprit și combustibilul este oprit. Motorul nu va porni.
- ▶ PORNIT: Circuitul de aprindere este pornit, combustibilul este pornit și șocul este pornit. Motorul

poate merge.

- ▶ ȘOC Circuitul de aprindere este pornit, combustibilul este pornit și șocul este OPRIT. Motorul poate porni.

Indicator de ieșire de putere

Ledul AC (verde) se aprinde când motorul pornește și produce energie.

Indicator ulei scăzut

Când nivelul uleiului scade sub nivelul inferior, lampa de avertizare a uleiului (roșu) se aprinde și apoi motorul se oprește automat. Dacă nu umpleți cu ulei, motorul nu va porni din nou.

NOTĂ

Dacă motorul se oprește sau nu pornește, puneți comutatorul motorului pe „ON” și apoi trageți demarorul cu recul. Dacă lampa de avertizare pentru ulei pâlpâie pentru câteva secunde, uleiul de motor este insuficient. Adăugați ulei și reporniți.

Indicator de suprasarcină

Indicatorul luminos de suprasarcină (roșu) se aprinde atunci când este detectată o suprasarcină a unui dispozitiv electric conectat, unitatea de control al inverterului se supraîncălzește sau tensiunea de ieșire CA crește. Apoi, protectorul AC se va declanșa, oprind generarea de energie pentru a proteja generatorul și orice dispozitive electrice conectate. Ledul pilot AC (verde) se va stinge, iar indicatorul luminos de suprasarcină (roșu) va rămâne aprins, dar motorul nu se va opri.

Când indicatorul luminos de suprasarcină se aprinde și generarea de energie se oprește, procedați după cum urmează:

- ▶ Opriți orice dispozitiv electric conectat și opriți motorul.
- ▶ Reduceți puterea totală a dispozitivelor electrice conectate în limitele puterii nominale.
- ▶ Verificați dacă există blocaje în admisia aerului de răcire și în jurul unității de comandă. Dacă se găsesc blocaje, îndepărtați-le.
- ▶ După verificare, reporniți motorul.

NOTĂ

Indicatorul luminos de suprasarcină se poate aprinde pentru câteva secunde la început atunci când se utilizează dispozitive electrice care necesită un curent mare de pornire, cum ar fi un compresor sau o pompă submergibilă. Cu toate acestea, aceasta nu este o defecțiune.

Întrerupătoare termice

Comutatorul iese automat când dispozitivul electric care este conectat la generator funcționează și este curent peste debitele nominale, oprind generarea de energie pentru a proteja generatorul și orice dispozitive electrice conectate.

Când comutatorul termic este cuplat și generarea de energie se oprește, procedați după cum urmează:

- ▶ Opriți orice dispozitiv electric conectat și opriți motorul.
- ▶ Reduceți puterea totală a dispozitivelor electrice conectate în limitele puterii nominale.
- ▶ Verificați dacă există blocaje în admisia aerului de răcire și în jurul unității de comandă. Dacă se găsesc blocaje, îndepărtați-le.

- ▶ Împingeți comutatorul termic înapoi în poziție.
- ▶ După verificare, reporniți motorul.

AVERTIZARE

Dacă protecția termică se cuplează din nou, opriți imediat utilizarea dispozitivului și consultați distribuitorul autorizat al companiei noastre.

Control inteligent al motorului (ESC)

- ▶ ON: Când comutatorul ESC este pornit pe „ON”, unitatea de control economic controlează turația motorului, în funcție de sarcina conectată. Ca urmare, consumul de combustibil și zgomotul sunt mai mici. Utilizați această funcție numai atunci când sarcina aplicată generatorului este jumătate din puterea nominală de ieșire sau mai mică.
- ▶ OPRIT: Când comutatorul ESC este poziționat pe „OPRIT”, motorul funcționează la turația nominală, indiferent dacă o sarcină este conectată sau nu.

AVERTIZARE

ESC trebuie să fie pornit pe „OFF” atunci când se utilizează dispozitive electrice care necesită un curent mare de pornire, cum ar fi un compresor al unei pompe submergibile, sau când sarcina aplicată generatorului este mai mare decât jumătate din puterea sa nominală.

Terminal la sol

Borna de împământare conectează linia de împământare pentru prevenirea șocurilor electrice. Când dispozitivul electric este împământat, generatorul trebuie să fie întotdeauna împământat. Pentru a preveni șocurile electrice din cauza aparatelor electrice defectuoase sau a utilizării greșite a energiei electrice, generatorul trebuie împământat cu un conductor izolat de bună calitate.

Pentru a opri mașina:

- ▶ Opriți și deconectați toate sarcinile electrice.

AVERTIZARE

Nu porniți sau opriți niciodată generatorul cu dispozitivele electrice conectate sau pornite.

- ▶ Lăsați generatorul să funcționeze fără sarcină timp de câteva minute, pentru a stabili temperaturile interne ale motorului și ale generatorului.
- ▶ Rotiți întrerupătorul principal în poziția „OPRIT”. Circuitul de aprindere este pornit. Combustibilul este oprit.

ÎNȚREȚINERE ȘI CURĂȚARE

AVERTIZARE

Nu efectuați niciodată întreținere sau curățare cu unitatea în funcțiune. Lucrați întotdeauna la o unitate rece. Înainte de a curăța sau de a efectua lucrări de întreținere, deconectați capacul bujiilor și citiți instrucțiunile relevante. Purtați întotdeauna îmbrăcăminte adecvată și mănuși de protecție ori de câte ori aveți mâinile în pericol.

Orice ajustări sau operațiuni de întreținere care nu sunt descrise în acest manual trebuie efectuate de către Dealerul dumneavoastră sau un centru de service specializat, cu cunoștințele și echipamentele necesare pentru a se asigura că lucrările sunt efectuate corect, menținând nivelul de siguranță inițial al mașinii. Orice operațiuni efectuate în centre neautorizate sau de către persoane necalificate vor invalida total Garanția și toate obligațiile și responsabilitățile Producătorului.

Păstrați toate piulițele și șuruburile strânse pentru a vă asigura că mașina este întotdeauna în stare de funcționare sigură. Întreținerea de rutină este esențială pentru siguranță și pentru menținerea unui nivel ridicat de performanță.

AVERTIZARE

Nu utilizați niciodată mașina cu piese uzate sau deteriorate. Piesele defecte sau uzate trebuie întotdeauna înlocuite și nu reparate. Folosiți numai piese de schimb originale.

PROGRAM DE ÎNȚREȚINERE

Elemente	Frecvență				
	Înainte de fiecare utilizare	După prima lună sau primele 20 de ore de funcționare	La fiecare 3 luni sau 50 de ore de funcționare	La fiecare 12 luni sau 100 de ore de funcționare	La fiecare 24 de luni sau 250 de ore de funcționare
Unitate completă	Inspectie vizuala	√			
Mănerile de control	Verificați funcționarea	√			
Descărcător de scântee (dacă este disponibil)	Verifica			√*	
Ulei de motor	Verificați - reumpleți	√			
	A înlocui		√	√	
Filtru de aer	Verifica	√			
	Curat		√		
	A înlocui			√	
Bujie	Verificați - ajustați		√		√*
Conducta de combustibil și filtrul	Verificare - curățare **				√*
Rezervor de combustibil	Verificare - curățare **				√*
Pahar de depunere (dacă este disponibil)	Curat		√	√	
Jocul supapei	Verificare - Ajustare **				√
Camera de ardere	Verificare - curățare **				√*

* Aceste articole trebuie înlocuite, dacă este necesar.
 ** Aceste operațiuni trebuie efectuate numai de către un distribuitor autorizat, care are instrumentele adecvate și competența mecanică necesară.

ULEI DE MOTOR**AVERTIZARE**

Verificarea nivelului și schimbarea uleiului trebuie făcute pe un teren solid și plan. Motorul trebuie oprit tot timpul. Dacă motorul ar fi pornit, va fi fierbinte și procedura trebuie făcută cu grijă și cu precauțiile necesare pentru a evita pericolul de arsuri.

NOTĂ

Scurgeți uleiul uzat în timp ce motorul este cald. Uleiul cald se scurge rapid și complet.

Pentru a verifica nivelul uleiului:

20. Scoateți capacul de umplere a uleiului (Fig. 10.6) de la gâtul de umplere a uleiului de motor (Fig. 10.1).
21. Verificați nivelul uleiului. Nivelul uleiului trebuie să ajungă la buza (Fig. 10.7) a gâtului de umplere cu ulei. Dacă este necesar, adăugați suficient ulei pentru a aduce nivelul uleiului la buza gâtului de umplere cu ulei, până la nivelul superior și nu mai jos decât nivelul inferior.
22. Repoziționați capacul de umplere cu ulei și strângeți corespunzător.

Pentru a schimba uleiul:

1. Scoateți capacul de umplere a uleiului de la gâtul de umplere a uleiului de motor.
2. Puneți un recipient adecvat (Fig. 10.3) sub orificiul de scurgere a uleiului (Fig. 10.2) pentru a prinde uleiul uzat.
3. Scoateți dopul de golire a uleiului (Fig. 10.4) și șaiba (Fig. 10.5) pentru a permite uleiului să se scurgă complet.
4. Repoziționați dopul de scurgere a uleiului cu șaiba acestuia și strângeți corespunzător.
5. Adăugați treptat suficient ulei pentru a aduce nivelul uleiului la buza gâtului de umplere cu ulei, până la nivelul superior și nu mai jos decât nivelul inferior.
6. Repoziționați capacul de umplere cu ulei și strângeți corespunzător.

NOTĂ

Dacă motorul funcționează frecvent în condiții extreme de praf sau în alte circumstanțe severe, schimbați uleiul de motor la fiecare 25 de ore.

AVERTIZARE

Pornirea motorului va duce la un nivel scăzut de ulei și cauzează deteriorarea motorului.

FILTRU DE AER**AVERTIZARE**

Operarea motorului fără un filtru de aer sau cu un filtru de aer deteriorat va permite pătrunderea murdăriei în motor, provocând uzura rapidă a motorului.

Pentru a verifica, curăța sau schimba filtrul de aer:

1. Scoateți capacul filtrului de aer (Fig. 11.1).
2. Asigurați-vă că elementul filtrului de aer (Fig. 11.2) nu are murdărie și este în stare bună. Dacă este murdar, scoateți-l și curățați-l.
3. Pentru a curăța un element de filtru de aer cu spumă, spălați-l cu detergent de casă și apă fierbinte și lăsați-l să se usuce. Apoi înmuiați-l în ulei de motor curat saturat și stoarceți ușor excesul de ulei. Dacă este necesar, înlocuiți-l cu unul nou.
4. Pentru a curăța un element de filtru de aer din hârtie, curățați murdăria ușoară lipindu-l ușor

de câteva ori pe o suprafață tare și înlocuiți-l dacă este prezentă murdăria grea.

5. Curățați interiorul carcasei filtrului de aer și acoperiți de murdărie cu o cârpă moale. Dacă motorul este echipat cu un filtru de aer tip baie de ulei, înlocuiți uleiul cu ulei de motor nou.
6. Reinstalați elementul filtrului de aer și urmați procedura inversă pentru a pune la loc capacul filtrului de aer.

AVERTIZARE

Nu curățați niciodată filtrul de aer cu detergenți inflamabili sau cu punct de aprindere scăzut pentru a evita riscul de incendiu sau explozie.

NOTĂ

Dacă motorul funcționează frecvent în condiții de praf sau în alte circumstanțe severe, curățați filtrul de aer la fiecare 10 ore și adăugați-i schimbați uleiul cu nou. Dacă este necesar, schimbați elementul filtrului de aer la fiecare 25 de ore.

BUGIE

Pentru întreținerea bujiei (Fig. 12.4):

1. Scoateți capacul bujiei (Fig. 12.1) pentru a accesa bujia (Fig. 12.2).
2. Utilizați o unealtă adecvată pentru bujie (Fig. 12.3) pentru a scoate cu grijă bujia.
3. Verificați starea bujiei și a electrodului acesteia. Trebuie să fie curat și nu uzat. Verificați dacă distanța bujiilor este între 0,7 și 0,8 mm. Înlocuiți bujia cu una nouă, dacă este necesar.
4. Introduceți cu grijă bujia în motor cu mâna.
5. Odată filetat, utilizați instrumentul corespunzător pentru bujie pentru a strânge bujia, acordând atenție să nu folosiți o forță excesivă care să afecteze filetele.
6. Reatașați capacul bujiilor.

AVERTIZARE

Nu permiteți niciodată pătrunderea murdăriei sau a resturilor în alezajul cilindrului. Înainte de a scoate bujia, curățați bine bujia și zona chiulasei.

FILTRU DE COMBUSTIBIL

Rezervorul de combustibil poate fi prevăzut cu un filtru (Fig. 13), în funcție de modelul motocultorului, situat la capacul rezervorului de combustibil. Filtrul de combustibil poate fi ales și trebuie verificat periodic. Dacă filtrul este murdar, curățați-l și înlocuiți-l cu unul nou atunci când este necesar. În cazul în care interiorul rezervorului de combustibil este murdar, acesta poate fi curățat prin clătirea rezervorului de combustibil cu benzină curată.

CURĂȚARE

Utilizați o perie moale mică pentru a curăța exteriorul unității. Nu folosiți detergenți puternici. Produsele de curățare de uz casnic care conțin uleiuri aromatice precum pinul și lămâia și solvenții precum kerosenul pot deteriora carcasa sau mânerul din plastic. Ștergeți orice umezeală cu o cârpă moale.

**DEPOZITARE
AVERTIZARE**

Nu depozitați niciodată unitatea cu combustibil în rezervor și lăsați întotdeauna unitatea să se răcească

înainte de a o depozita. Depozitați unitatea numai în zone uscate și bine ventilate.

În cazul în care unitatea va fi depozitată pentru o perioadă lungă de timp, utilizați următoarea procedură de depozitare:

1. Goliți tot combustibilul din rezervorul de combustibil.
2. Porniți motorul până când se oprește din cauza lipsei de combustibil.
3. Înlocuiți uleiul de motor cu nou.
4. Scoateți bujia și puneți 30 ml de ulei de motor de înaltă calitate în cilindru. Trageți încet de frânghia demarorului pentru a distribui uleiul și apoi reinstalați bujia.
5. Curățați temeinic unitatea și verificați dacă există piese slăbite sau deteriorate. Reparați sau înlocuiți piesele deteriorate și strângeți șuruburile, piulițele sau șuruburile slăbite.
6. Lubrifiați toate piesele necesare cu o cârpă umedă cu ulei pentru a evita acumularea de rugină.

PROTECTIA MEDIULUI

Reciclați materiile prime în loc să le aruncați ca deșeuri. Mașina, accesoriile și ambalajele trebuie sortate pentru reciclare ecologică. Componentele din plastic sunt etichetate pentru reciclare clasificată.

Aruncați uleiul de motor uzat și recipientele într-un mod compatibil cu mediul înconjurător. Vă sugerăm să îl duceți într-un recipient sigilat la centrul local de reciclare sau la stația de service pentru recuperare. Nu-l aruncați la gunoi, nu îl turnați pe pământ și nici nu îl turnați pe un canal de scurgere.

GARANȚIE

Acest produs este garantat în conformitate cu reglementările legale / specifice țării, în vigoare de la data achiziției de către primul utilizator. Daunele cauzate de uzura normală, suprasarcină sau manipulare necorespunzătoare vor fi excluse din garanție. În cazul unei reclamații, vă rugăm să trimiteți mașina, complet asamblată, la distribuitorul dumneavoastră sau la centrul de service oficial.

TECHNICAL DATA					
Article Number		47 524	46 100	46 101	46 102
Model		GPG 1100iS PRO	GPG 2000i PRO	GPG 2500i PRO	GPG 3500iE PRO
Type		Silent	Silent	Silent	Silent
Voltage (AC)	V	230	230	230	230
Max. output power AC (230V)	kVA	1,1	2,0	2,5	3,5
Rated output power AC (230V)	kVA	1,0	1,8	2,3	3,2
Rated output power DC (12V)	kVA	0,7	-	-	-
Voltage Regulation		INVERTER	INVERTER	INVERTER	INVERTER
Outputs AC (230V)		1 x 16A	1 x 16A	1 x 16A	2 x 16A
Outputs DC (12V)		1 x 60A	1 x 8,3A	1 x 8,3A	1 x 8,3A
Outputs DC (5V)		-	1 x USB	1 x USB	1 x USB
Engine style		4 stroke, OHV	4 stroke, OHV	4 stroke, OHV	4 stroke, OHV
Cooling system		Air cooled	Air cooled	Air cooled	Air cooled
Cylinders		1	1	1	1
Displacement	cc	60,0	79,7	120,0	212,0
Fuel tank capacity	L	2,6	4,0	4,5	8,3
Running time (Full load)	hr	5,5	4,0	3,0	5,0
Noise 7m (1/2 load)	dB	60,0	60,0	60,0	60,0
Noise 7m (Full load)	dB	65,0	65,0	65,0	65,0
Starting mode		Recoil	Recoil	Recoil	Recoil/Electric
Wheels		-	-	-	Standard
Net weight (kg)		14,0	22,0	24,0	44,0

DONNÉES TECHNIQUES					
Numéro de l'article		47 524	46 100	46 101	46 102
Modèle		GPG 1100iS PRO	GPG 2000i PRO	GPG 2500i PRO	GPG 3500iE PRO
Type		Silencieux	Silencieux	Silencieux	Silencieux
Tension (AC)	V	230	230	230	230
Max. puissance de sortie AC (230V)	kVA	1,1	2,0	2,5	3,5
Puissance de sortie nominale AC (230 V)	kVA	1,0	1,8	2,3	3,2
Puissance de sortie nominale DC (12V)	kVA	0,7	-	-	-
Régulation de tension		INVERTER	INVERTER	INVERTER	INVERTER
Sorties AC (230V)		1 x 16A	1 x 16A	1 x 16A	2 x 16A
Sorties DC (12V)		1 x 60A	1 x 8,3A	1 x 8,3A	1 x 8,3A
Sorties DC (5V)		-	1 x USB	1 x USB	1 x USB
Type de moteur		4 temps, OHV	4 temps, OHV	4 temps, OHV	4 temps, OHV
Système de refroidissement		Air conditionné	Air conditionné	Air conditionné	Air conditionné
Cylindres		1	1	1	1
Déplacement	cc	60,0	79,7	120,0	212,0
Capacité du réservoir de carburant	L	2,6	4,0	4,5	8,3
Temps de fonctionnement (pleine charge)	hr	5,5	4,0	3,0	5,0
Bruit 7m (1/2 charge)	dB	60,0	60,0	60,0	60,0
Bruit 7m (pleine charge)	dB	65,0	65,0	65,0	65,0
Mode de démarrage		Recul	Recul	Recul	Recul/ Électrique
Roues		-	-	-	Standard
Poids net (kg)		14,0	22,0	24,0	44,0



DATI TECNICI					
Numero dell'articolo		47 524	46 100	46 101	46 102
Modello		GPG 1100iS PRO	GPG 2000i PRO	GPG 2500i PRO	GPG 3500iE PRO
Tipo		Silenzioso	Silenzioso	Silenzioso	Silenzioso
Tensione (AC)	V	230	230	230	230
Massimo potenza di uscita AC (230V)	kVA	1,1	2,0	2,5	3,5
Potenza di uscita nominale AC (230V)	kVA	1,0	1,8	2,3	3,2
Potenza di uscita nominale DC (12V)	kVA	0,7	-	-	-
Regolazione del voltaggio		INVERTER	INVERTER	INVERTER	INVERTER
Uscite AC (230V)		1 x 16A	1 x 16A	1 x 16A	2 x 16A
Uscite DC (12V)		1 x 60A	1 x 8,3A	1 x 8,3A	1 x 8,3A
Uscite DC (5V)		-	1 x USB	1 x USB	1 x USB
Tipo del motore		4 tempi,, OHV	4 tempi, OHV	4 tempi, OHV	4 stroke, OHV
Sistema di raffreddamento		Raffreddato ad aria	Raffreddato ad aria	Raffreddato ad aria	Raffreddato ad aria
Cilindri		1	1	1	1
Dislocamento	cc	60,0	79,7	120,0	212,0
Capacità della tanica di benzina	L	2,6	4,0	4,5	8,3
Tempo di funzionamento (pieno carico)	hr	5,5	4,0	3,0	5,0
Rumore 7 m (1/2 carico)	dB	60,0	60,0	60,0	60,0
Rumore 7 m (pieno carico)	dB	65,0	65,0	65,0	65,0
Modalità di partenza		Rinculo	Rinculo	Rinculo	Rinculo / Elettrico
Ruote		-	-	-	Standard
Peso netto (kg)		14,0	22,0	24,0	44,0

ΤΕΧΝΙΚΑ ΧΑΡΑΚΤΗΡΙΣΤΙΚΑ					
Κωδικός Είδους		47 524	46 100	46 101	46 102
Μοντέλο		GPG 1100iS PRO	GPG 2000i PRO	GPG 2500i PRO	GPG 3500iE PRO
Τύπος πλαισίου		Αθόρυβο	Αθόρυβο	Αθόρυβο	Αθόρυβο
Τάση εξόδου (AC)	V	230	230	230	230
Μεγ. Ισχύς εξόδου AC (230V)	kVA	1,1	2,0	2,5	3,5
Ονομαστική ισχύς εξόδου AC (230V)	kVA	1,0	1,8	2,3	3,2
Ονομαστική ισχύς εξόδου DC (12V)	kVA	0,7	-	-	-
Σταθεροποιητής τάσης		INVERTER	INVERTER	INVERTER	INVERTER
Εξόδοι AC (230V)		1 x 16A	1 x 16A	1 x 16A	2 x 16A
Εξόδοι DC (12V)		1 x 60A	1 x 8,3A	1 x 8,3A	1 x 8,3A
Εξόδοι DC (5V)		-	1 x USB	1 x USB	1 x USB
Τύπος κινητήρα		Τετράχρονος, OHV	Τετράχρονος, OHV	Τετράχρονος, OHV	Τετράχρονος, OHV
Σύστημα ψύξης		Αερόψυκτος	Αερόψυκτος	Αερόψυκτος	Αερόψυκτος
Αριθμός κυλίνδρων		1	1	1	1
Κυβισμός	cc	60,0	79,7	120,0	212,0
Χωρητικότητα δοχείου καυσίμου	L	2,6	4,0	4,5	8,3
Αυτονομία (Πλήρες φορτίο)	hr	5,5	4,0	3,0	5,0
Θόρυβος 7m (1/2 φορτίο)	dB	60,0	60,0	60,0	60,0
Θόρυβος 7m (Πλήρες φορτίο)	dB	65,0	65,0	65,0	65,0
Τύπος εκκίνησης		Χειρόμιζα	Χειρόμιζα	Χειρόμιζα	Χειρόμιζα/ Ηλεκτρική
Τροχοί		-	-	-	Βασικός εξοπλισμός
Καθαρό βάρος (kg)		14,0	22,0	24,0	44,0

TEHNIČKI PODACI					
Broj članka		47 524	46 100	46 101	46 102
Model		GPG 1100iS PRO	GPG 2000i PRO	GPG 2500i PRO	GPG 3500iE PRO
Tip		Tihog	Tihog	Tihog	Tihog
Napon (AC)	V	230	230	230	230
Max. izlazna snaga AC (230V)	kVA	1,1	2,0	2,5	3,5
Ocenjena izlazna snaga AC (230V)	kVA	1,0	1,8	2,3	3,2
Ocenjeno izlazno napajanje DC (12V)	kVA	0,7	-	-	-
Pravilnik o naponu		INVERTER	INVERTER	INVERTER	INVERTER
Izlaz AC (230V)		1 x 16A	1 x 16A	1 x 16A	2 x 16A
Izlaz DC (12V)		1 x 60A	1 x 8,3A	1 x 8,3A	1 x 8,3A
Izlaz DC (5V)		-	1 x USB	1 x USB	1 x USB
Tip motora		4-taktni, OHV	4-taktni, OHV	4-taktni, OHV	4-taktni, OHV
Sistem hlađenja		Vazduh ohlađen	Vazduh ohlađen	Vazduh ohlađen	Vazduh ohlađen
Cilindara		1	1	1	1
Premeštanje	cc	60,0	79,7	120,0	212,0
Kapacitet rezervoara za gorivo	L	2,6	4,0	4,5	8,3
Vreme trčanja (puno opterećenje)	hr	5,5	4,0	3,0	5,0
Buka 7m (1/2 opterećenja)	dB	60,0	60,0	60,0	60,0
Buka 7m (Puno opterećenje)	dB	65,0	65,0	65,0	65,0
Režim pokretanja		Trzaj	Trzaj	Trzaj	Trzaj/Električni
Točkovi		-	-	-	Standardni
Neto težina (kg)		14,0	22,0	24,0	44,0

TEHNIČKI PODACI					
Broj artikla		47 524	46 100	46 101	46 102
Model		GPG 1100iS PRO	GPG 2000i PRO	GPG 2500i PRO	GPG 3500iE PRO
Tip		Tihog	Tihog	Tihog	Tihog
Napon (AC)	V	230	230	230	230
Maks. izlazna snaga AC (230V)	kVA	1,1	2,0	2,5	3,5
Nazivna izlazna snaga AC (230V)	kVA	1,0	1,8	2,3	3,2
Nazivna izlazna snaga DC (12V)	kVA	0,7	-	-	-
Regulacija napona		INVERTER	INVERTER	INVERTER	INVERTER
Izlazi AC (230V)		1 x 16A	1 x 16A	1 x 16A	2 x 16A
Izlazi DC (12V)		1 x 60A	1 x 8,3A	1 x 8,3A	1 x 8,3A
Izlazi DC (5V)		-	1 x USB	1 x USB	1 x USB
Tip motora		4 moždani udar, OHV	4 moždani udar, OHV	4 moždani udar, OHV	4 moždani udar, OHV
Sustav hlađenja		Zračno hlađen	Zračno hlađen	Zračno hlađen	Zračno hlađen
Cilindri		1	1	1	1
Pomak	cc	60,0	79,7	120,0	212,0
Kapacitet rezervoara za gorivo	L	2,6	4,0	4,5	8,3
Vrijeme rada (puno opterećenje)	hr	5,5	4,0	3,0	5,0
Buka 7m (1/2 opterećenja)	dB	60,0	60,0	60,0	60,0
Buka 7m (puno opterećenje)	dB	65,0	65,0	65,0	65,0
Način pokretanja		Žacnuti	Žacnuti	Žacnuti	Žacnuti / Električni
Kotači		-	-	-	Standard
Neto težina (kg)		14,0	22,0	24,0	44,0

DATE TEHNICE					
Numarul articolului		47 524	46 100	46 101	46 102
Model		GPG 1100iS PRO	GPG 2000i PRO	GPG 2500i PRO	GPG 3500iE PRO
Tip		Silentios	Silentios	Silentios	Silentios
Tensiune (AC)	V	230	230	230	230
Max. putere de ieșire AC (230V)	kVA	1,1	2,0	2,5	3,5
Putere nominală de ieșire AC (230V)	kVA	1,0	1,8	2,3	3,2
Putere nominală de ieșire DC (12V)	kVA	0,7	-	-	-
Reglarea tensiunii		INVERTOR	INVERTOR	INVERTOR	INVERTOR
Ieșiri AC (230V)		1 x 16A	1 x 16A	1 x 16A	2 x 16A
Ieșiri DC (12V)		1 x 60A	1 x 8,3A	1 x 8,3A	1 x 8,3A
Ieșiri DC (5V)		-	1 x USB	1 x USB	1 x USB
Tip motorului		4 timpi, OHV	4 timpi, OHV	4 timpi, OHV	4 timpi, OHV
Sistem de răcire		Aer răcit	Aer răcit	Aer răcit	Aer răcit
Cilindrii		1	1	1	1
Deplasare	cc	60,0	79,7	120,0	212,0
Capacitatea rezervorului de combustibil	L	2,6	4,0	4,5	8,3
Timp de funcționare (încărcare completă)	hr	5,5	4,0	3,0	5,0
Zgomot 7m (1/2 sarcină)	dB	60,0	60,0	60,0	60,0
Zgomot 7m (încărcare completă)	dB	65,0	65,0	65,0	65,0
Modul de pornire		Recul	Recul	Recul	Recul/Electric
Rotile		-	-	-	Standard
Greutate netă (kg)		14,0	22,0	24,0	44,0

EN	EU DECLARATION OF CONFORMITY		We declare under our sole responsibility that the listed products comply with all applicable provisions of the below directives and are also in conformity with the following standards. Production year and serial number are on the product. The relative technical file is at the below address.	
	GASOLINE INVERTER GENERATOR			
	MODEL	Article number		
FR	DÉCLARATION CE DE CONFORMITÉ		Nous déclarons sous notre propre responsabilité que les produits décrits sont conformes à toutes les dispositions applicables des directives ci-dessous et sont également conformes aux normes suivantes. L'année de production et le numéro de série figurent sur le produit. Le dossier technique correspondant est à l'adresse ci-dessous.	
	GÉNÉRATEUR INVERTER À ESSENCE			
	MODÈLE	Numéro de l'article		
IT	DICHIARAZIONE CE DI CONFORMITÀ		Dichiariamo sotto la nostra piena responsabilità che i prodotti indicati sono conformi a tutte le disposizioni applicabili delle seguenti direttive e sono inoltre conformi alle seguenti norme. Anno di produzione e numero di serie sono sul prodotto. La relativa scheda tecnica è al seguente indirizzo.	
	GENERATORE DI CORRECNT E INVERTER A BENZINA			
	MODELLO	Codice prodotto		
EL	ΔΗΛΩΣΗ ΣΥΜΜΟΡΦΩΣΗΣ ΕΚ		Δηλώνουμε με αποκλειστική μας ευθύνη, ότι τα αναφερόμενα προϊόντα συμμορφώνονται με όλες τις σχετικές διατάξεις των κάτωθι οδηγιών και είναι επίσης σύμφωνα με τα ακόλουθα πρότυπα. Το έτος παραγωγής και ο σειριακός αριθμός αναγράφονται στο προϊόν. Ο τεχνικός φάκελος είναι στην παρακάτω διεύθυνση.	
	ΓΕΝΗΤΗΡΙΑ ΒΕΝΖΙΝΗΣ INVERTER			
	ΜΟΝΤΕΛΟ	Κωδικός προϊόντος		
SR	CE IZJAVA O USAGLAŠENOSTI		Na sopstvenu odgovornost izjavljujemo, da navedeni proizvodi poštuju sve važeće odredbe dole navedenih direktiva i da su takođe u skladu sa sledećim standardima. Proizvodna godina i serijski broj su na proizvodu. Relativna tehnološka datoteka je na donje adrese.	
	BENZINSKI INVERTER GENERATOR ZA STRUJU			
	MODEL	Broj predmeta		
HR	EU IZJAVA O SUKLADNOSTI		Pod punom odgovornošću izjavljujemo da navedeni proizvodi u skladu sa svim primjenjivim odredbama dolje navedenih direktiva, a također su u skladu sa sljedećim standardima. Godina proizvodnje i serijski broj su na proizvodu. Relativna tehnička datoteka nalazi se na donjoj adresi.	
	GENERATOR INVERTER ZA STRUJU SA BENZINSKIM			
	MODEL	Broj artikla		
RO	DECLARAȚIE DE CONFORMITATE UE		Declarăm pe proprie răspundere că produsele menționate respectă toate prevederile aplicabile din directivele de mai jos și sunt, de asemenea, conforme cu următoarele standarde. Anul de producție și numărul de serie sunt pe produs. Fișierul tehnic relativ se află la adresa de mai jos.	
	GENERATOR BENZINA CU INVERTOR			
	MODEL	Număr articol		
	GPG 1100iS PRO	47 524	2006/42/EC	EN ISO 8528-13:2016
	GPG 2000i PRO	46 100	2014/30/EU	EN 55012:2007/A1:2009 EN 61000-6-1:2007
	GPG 2500i PRO	46 101	2005/88/EC	EN ISO 3744:1995, ISO
	GPG 3500iE PRO	46 102	2000/14/EC	8528-10:1998
			(EU) 2016/1628	
Orestis Fournarakis General Manager  18/1/2022 FF GROUP TOOL INDUSTRIES, 19300 Aspropyrgos-Greece.			FF GROUP TOOL INDUSTRIES 9,5km Attiki Odos, Aspropyrgos 19300, Athens, Greece Tel. +30 210 55 98 400	
				



FF GROUP TOOL INDUSTRIES



9,5 Km Attiki Odos, Aspropyrgos

19300, Athens, Greece



+30 210 55 98 400



info@ffgroup-toolindustries.com



www.ffgroup-tools.com