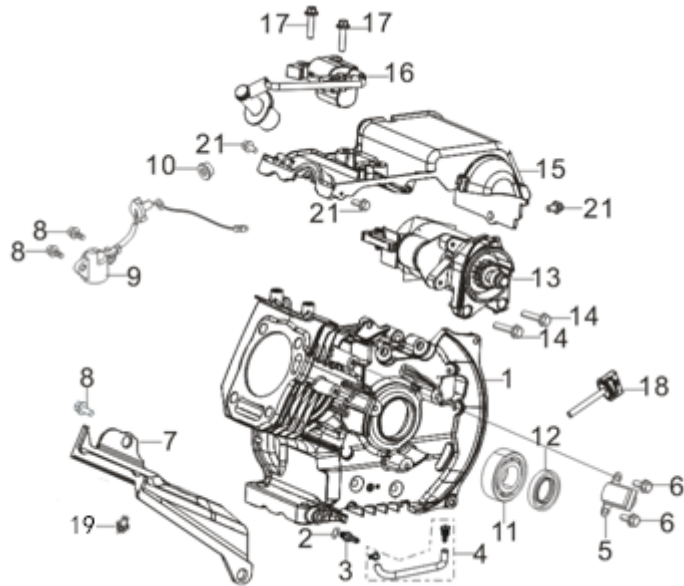
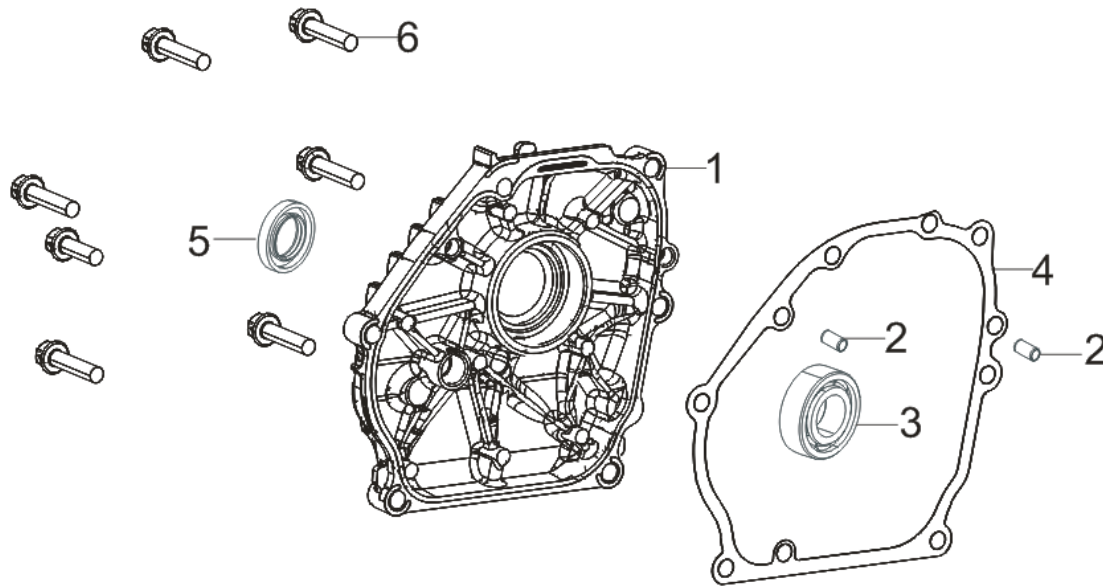


E01



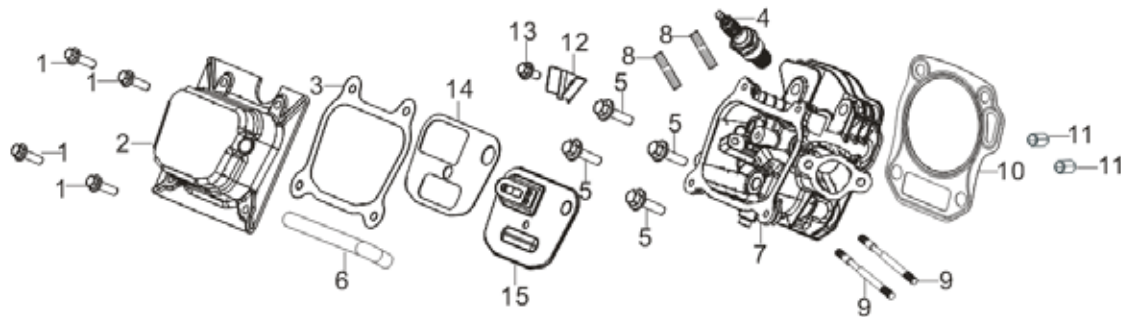
POS.	CODE	DESCRIPTION	QTY
E01-1	A08393	CRANKCASE	1
E01-2	A08927	FLAT WASHER	1
E01-3	A08928	FUEL TUBE JOINT	1
E01-4	A08394	DISCHARGE TUBING	1
E01-5	A08929	TRIGGER	1
E01-6	A08930	BOLT	2
E01-7	A08931	BODY RIGHT SHIELD	1
E01-8	A08496	BOLT	3
E01-9	A08608	ENGINE OIL SENSOR	1
E01-10	A08485	HEXAGON NUT WITH FLANGE	1
E01-11	A08932	BALL BEARING	1
E01-12	A08933	OIL SEAL	1
E01-13	A08934	STARTING MOTOR ASSEMBLY	1
E01-14	A08937	BOLT	2
E01-15	A08935	SHIELD COVER	1
E01-16	A08936	IGNITION COIL	1
E01-17	A08937	BOLT	2
E01-18	A08468	OIL DIPSTICK	1
E01-19	A08496	BOLT	1
E01-21	A08968	BOLT	3

E02



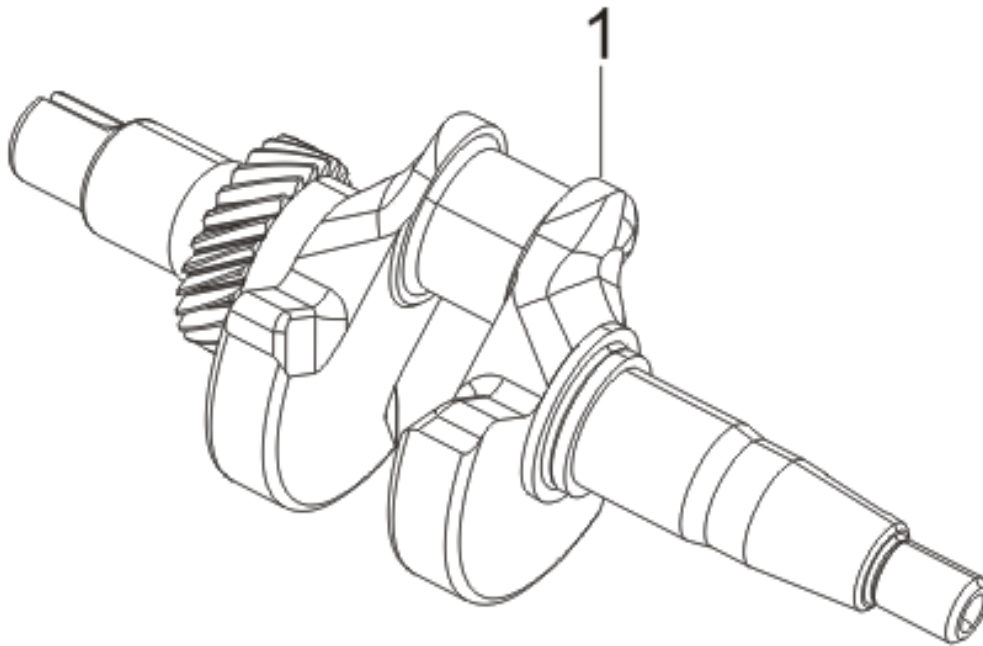
POS.	CODE	DESCRIPTION	QTY
E02-1	A08395	CRANKCASE COVER	1
E02-2	A08550	POSITION PIN	2
E02-3	A08938	BALL BEARING	1
E02-4	A08396	CRANKCASE GASKET	1
E02-5	A08933	OIL SEAL	1
E02-6	A08939	BOLT	6

E03



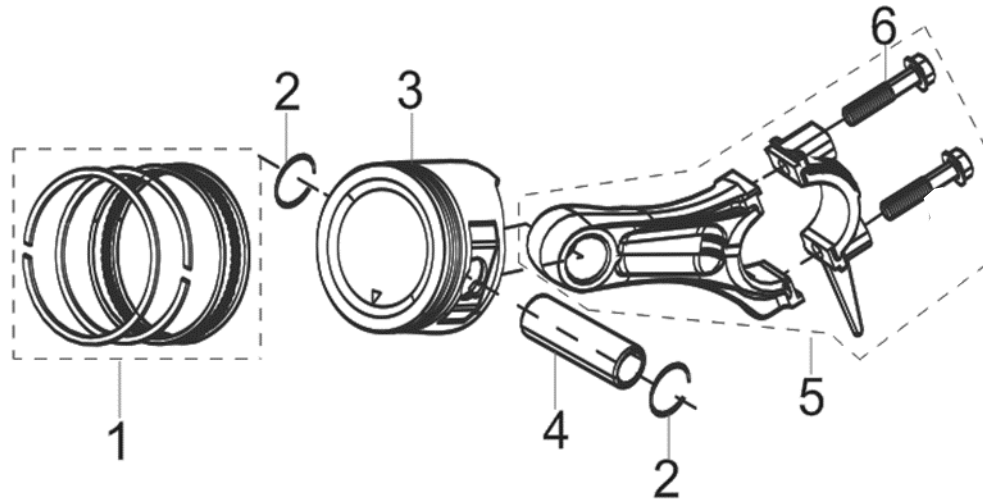
POS.	CODE	DESCRIPTION	QTY
E03-1	A08968	BOLT	4
E03-2	A08397	CYLINDER HEAD COVER	1
E03-3	A08398	CYLINDER HEAD COVER GASKET	1
E03-4	A08940	SPARK PLUG	1
E03-5	A08293	CYLINDER HEAD BOLT	4
E03-6	A08941	BREATHER TUBE	1
E03-7	A08399	CYLINDER HEAD	1
E03-8	A08489	STUD BOLT	2
E03-9	A08942	STUD BOLT	2
E03-10	A08400	CYLINDER HEAD GASKET	1
E03-11	A08943	POSITION PIN	2
E03-12	A08348	CYLINDER HEAD COVER PIN LIMIT PLATE	1
E03-13	A08944	BOLT	1
E03-14	A08401	BREATH GROOVE GASKET	1
E03-15	A08402	STOP ENGINE PIECE	1

E04



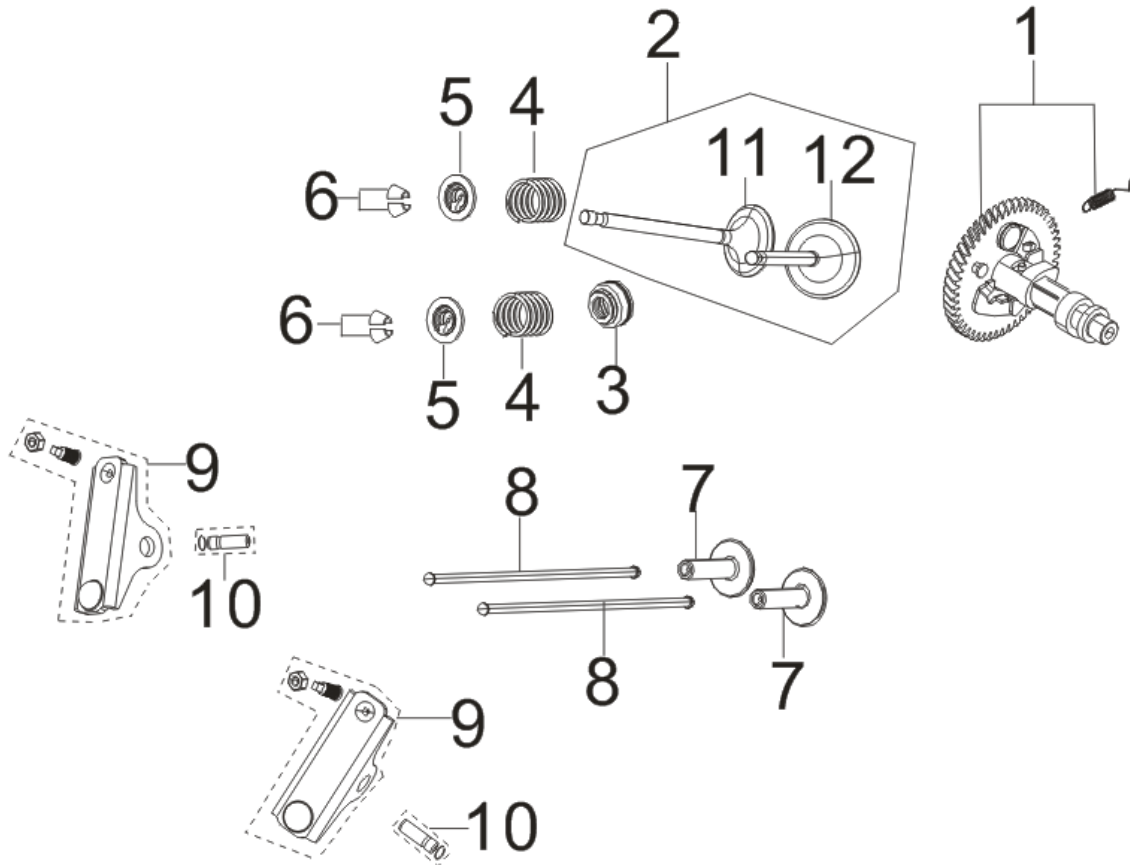
POS.	CODE	DESCRIPTION	QTY
E04-1	A08428	CRANKSHAFT ASSEMBLY	1

E05



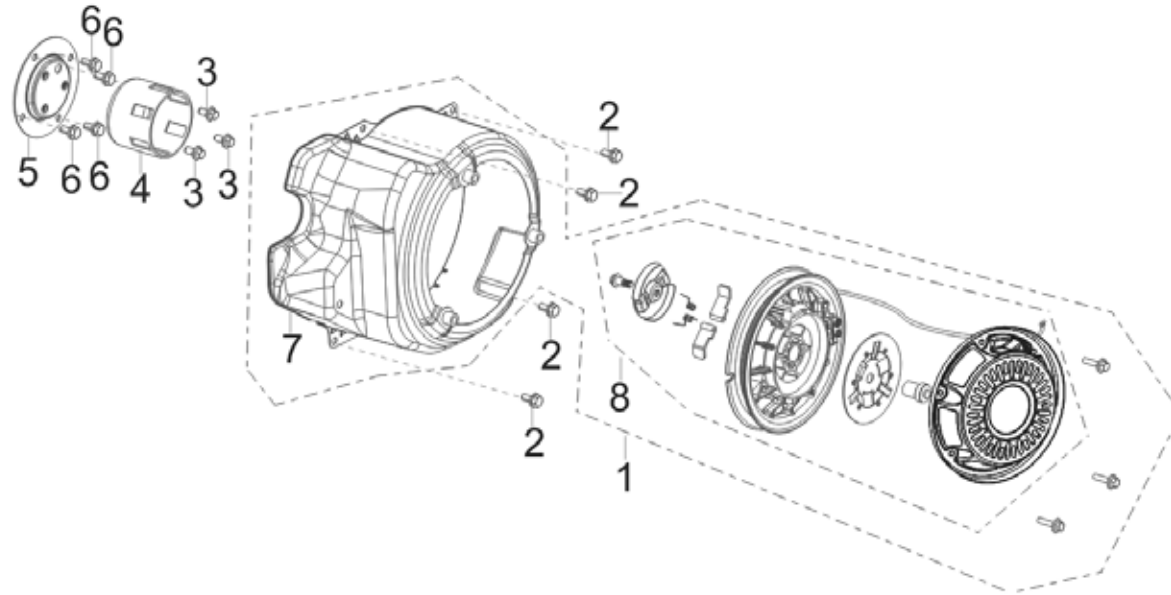
POS.	CODE	DESCRIPTION	QTY
E05-1	A08408	PISTON RING SET	1
E05-2	A08409	PISTON PIN CLIP	2
E05-3	A08403	PISTON	1
E05-4	A08296	PISTON PIN	1
E05-5	A08404	CONNECTING ROD	1

E06



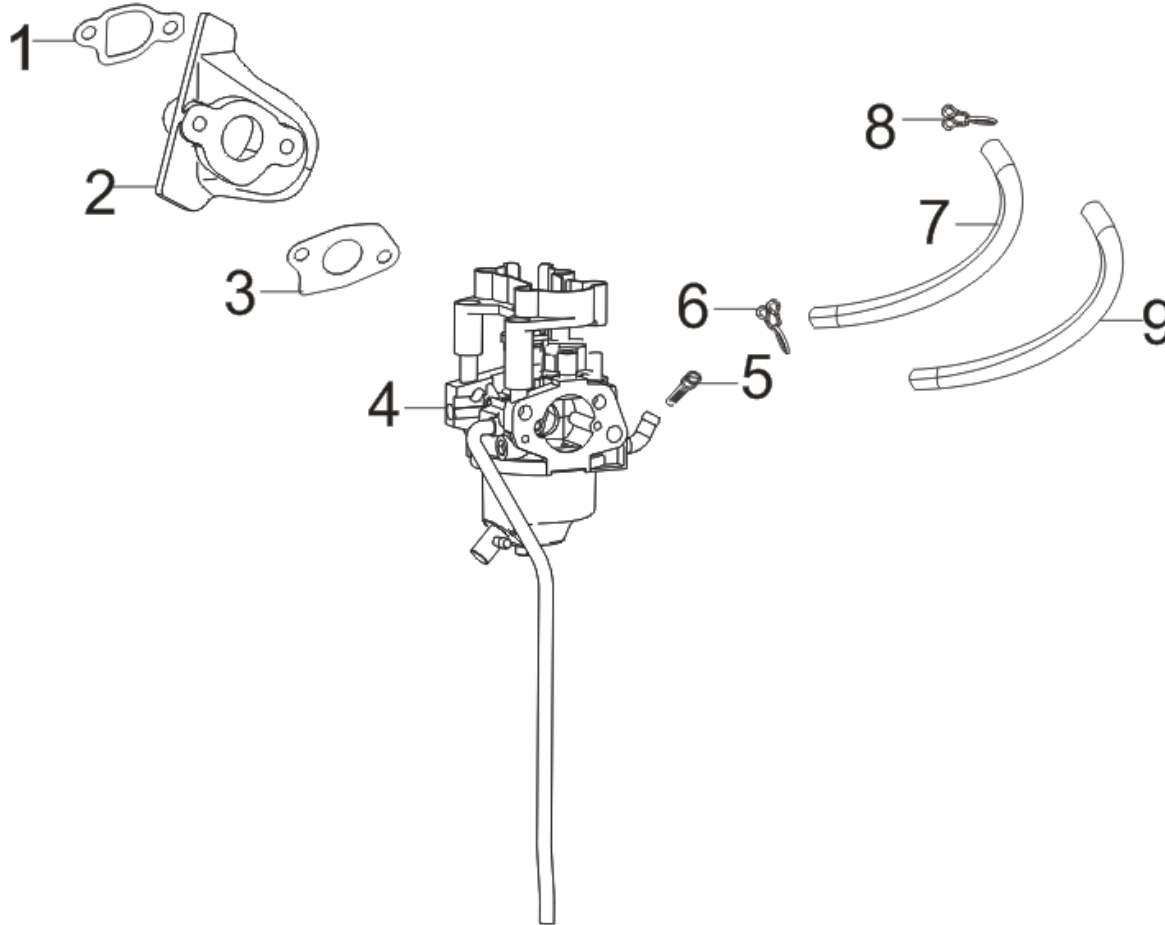
POS.	CODE	DESCRIPTION	QTY
E06-1	A08457	CAMSHAFT ASSEMBLY	1
E06-2	A08405	VALVES SET	1
E06-3	A08299	SEAL GUIDE	1
E06-4	A08300	VALVE SPRING	2
E06-5	A08301	VALVE SPRING SEAT	2
E06-6	A08302	VALVE LOCK CLAMP	4
E06-7	A08440	VALVE TAPPET	2
E06-8	A08450	VALVE LIFTER	2
E06-9	A08973	VALVE ROCKER	2
E06-10	A09049	ROCKER SHAFT	2

E07



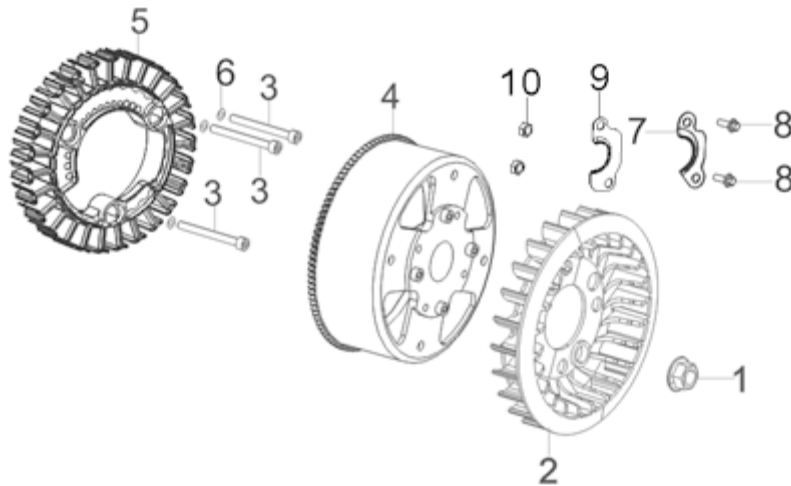
POS.	CODE	DESCRIPTION	QTY
E07-1	A08945	MANUAL STARTING ASSEMBLY	1
E07-2	A08968	BOLT	4
E07-3	A08494	BOLT	3
E07-4	A08946	STARTER PULLEY	1
E07-5	A08947	STARTER CUP SEAT	1
E07-6	A08852	BOLT	4
E07-7	A08948	SHROUD	1
E07-8	A08949	RECOIL STARTER	1

E09



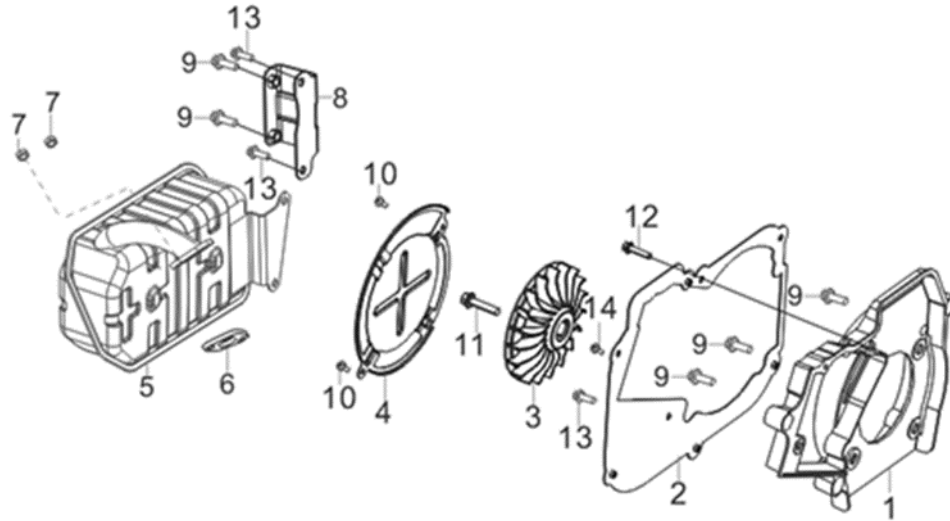
POS.	CODE	DESCRIPTION	QTY
E09-1	A08477	CARBURETOR INSULATOR GASKET	1
E09-2	A08950	CARBURETOR INSULATOR PLATE	1
E09-3	A08469	CARBURETOR SEAL GASKET	1
E09-4	A09007	CARBURETOR ASSEMBLY	1
E09-5	A08780	FUEL STRAINER	1
E09-6	A09041	PIPE CLAMP	1
E09-7	A09042	FUEL TUBE	1
E09-8	A09040	PIPE CLAMP	1
E09-9	A08629	RUBBER JACKET	1

E10



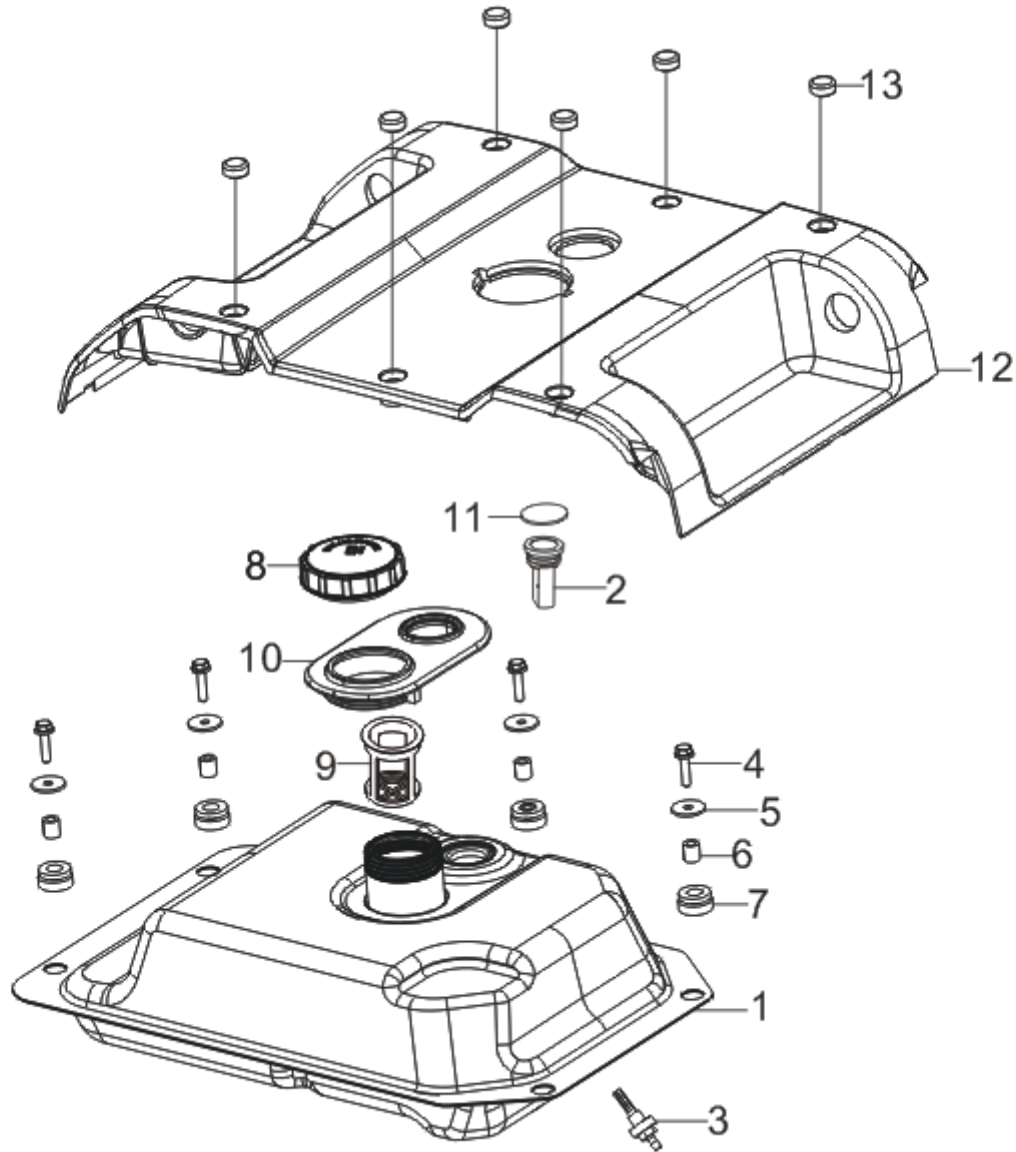
POS.	CODE	DESCRIPTION	QTY
E10-1	A08420	FLYWHEEL NUT	1
E10-2	A09057	IMPELLER	1
E10-3	A09029	HEXAGON SOCKET HEAD CAP SCREW	3
E10-4	A08994	ROTOR	1
E10-5	A08995	STATOR	1
E10-6	A09034	FLAT WASHER	3
E10-7	A08991	MAGNETO WIRING CLAMP	1
E10-8	A09024	BOLT	2
E10-9	A09012	TENSION DISC	2
E10-10	A09032	HEXAGON NUT WITH FLANGE	2

F02



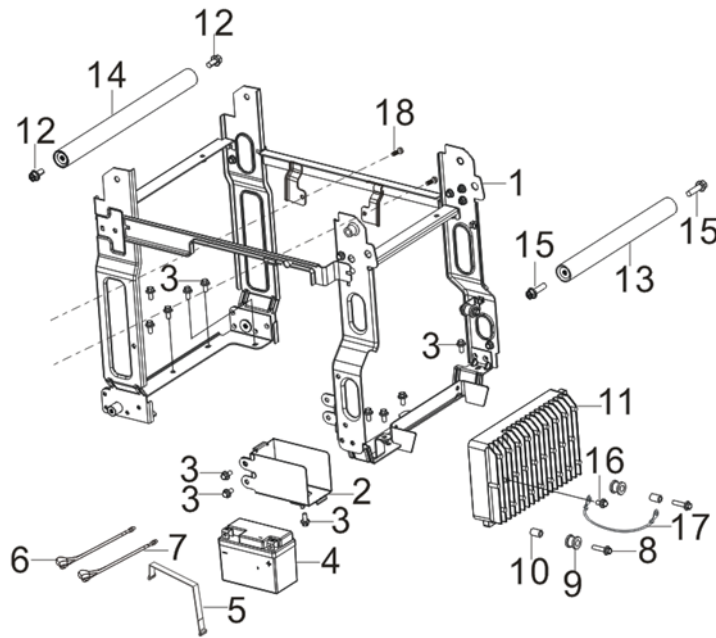
POS.	CODE	DESCRIPTION	QTY
F02-1	A08990	SHROUD	1
F02-2	A08986	MUFFLER OUTER COVER MOUNTING BRACKET	1
F02-3	A08987	IMPELLER	1
F02-4	A09056	MUFFLER INSULATOR PLATE	1
F02-5	A08985	MUFFLER ASSEMBLY	1
F02-6	A09055	EXHAUST OUTLET GASKET	1
F02-7	A08747	HEXAGON NUT	2
F02-8	A08984	MUFFLER BRACKET	1
F02-9	A08624	BOLT	5
F02-10	A09031	CROSS HEXAGON HEAD PAN BOLT	2
F02-11	A09026	BOLT	1
F02-12	A09028	BOLT	1
F02-13	A08968	BOLT	3
F02-14	A08805	SELF-TAPPING SCREW	1

F03



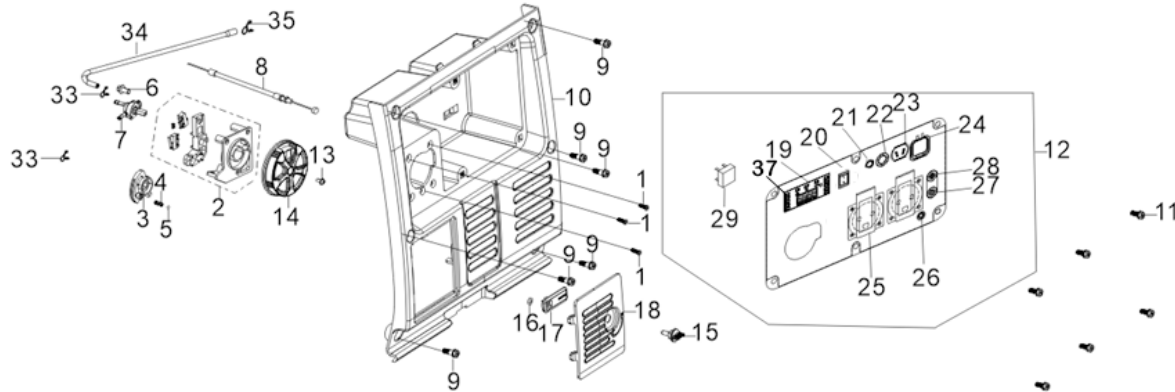
POS.	CODE	DESCRIPTION	QTY
F03-1	A08974	FUEL TANK	1
F03-2	A09010	OIL LEVELER	1
F03-3	A09051	FUEL TANK OIL OUTLET	1
F03-4	A08671	BOLT	4
F03-5	A08515	FLAT WASHER	4
F03-6	A08749	BUSH	4
F03-7	A08626	FUEL TANK RUBBER SLEEVE	4
F03-8	A09052	FUEL TANK COVER	1
F03-9	A08976	FUEL STRAINER	1
F03-10	A09050	FILLING OIL HOLE RUBBER SLEEVE	1
F03-11	A08846	OIL LEVELER VIEW OPENING	1
F03-12	A09046	UPPER COVER	1
F03-13	A09044	END PLUG	6

F04

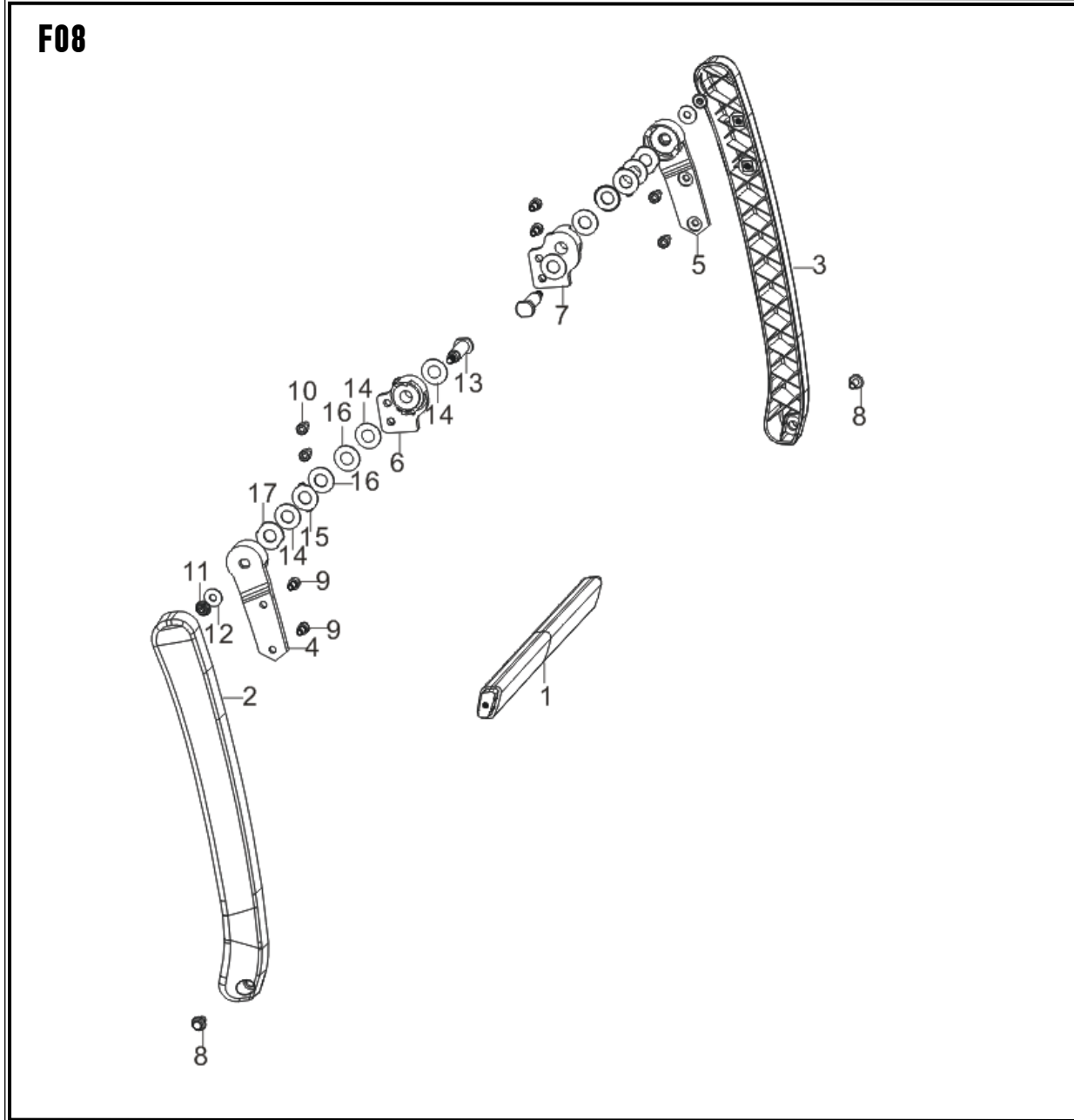


POS.	CODE	DESCRIPTION	QTY
F04-1	A09011	ENGINE FRAME,	1
F04-2	A09003	BATTERY CASE	1
F04-3	A08968	BOLT	12
F04-4	A08998	BATTERY	1
F04-5	A09001	BATTERY BAND	1
F04-6	A08999	ANODE WIRE	1
F04-7	A09000	CATHODE WIRE	1
F04-8	A08502	BOLT	2
F04-9	A09039	BUSH	2
F04-10	A08997	RUBBER JACKET	2
F04-11	A08993	INVERTOR	1
F04-12	A08624	BOLT	2
F04-13	A09022	HANDLE	1
F04-14	A09023	HANDLE	1
F04-15	A09027	BOLT	2
F04-16	A09030	CROSS-RECESSED PAN HEAD SCREW	1
F04-17	A08992	GROUNDING	1
F04-18	A09031	BOLT	2

F05

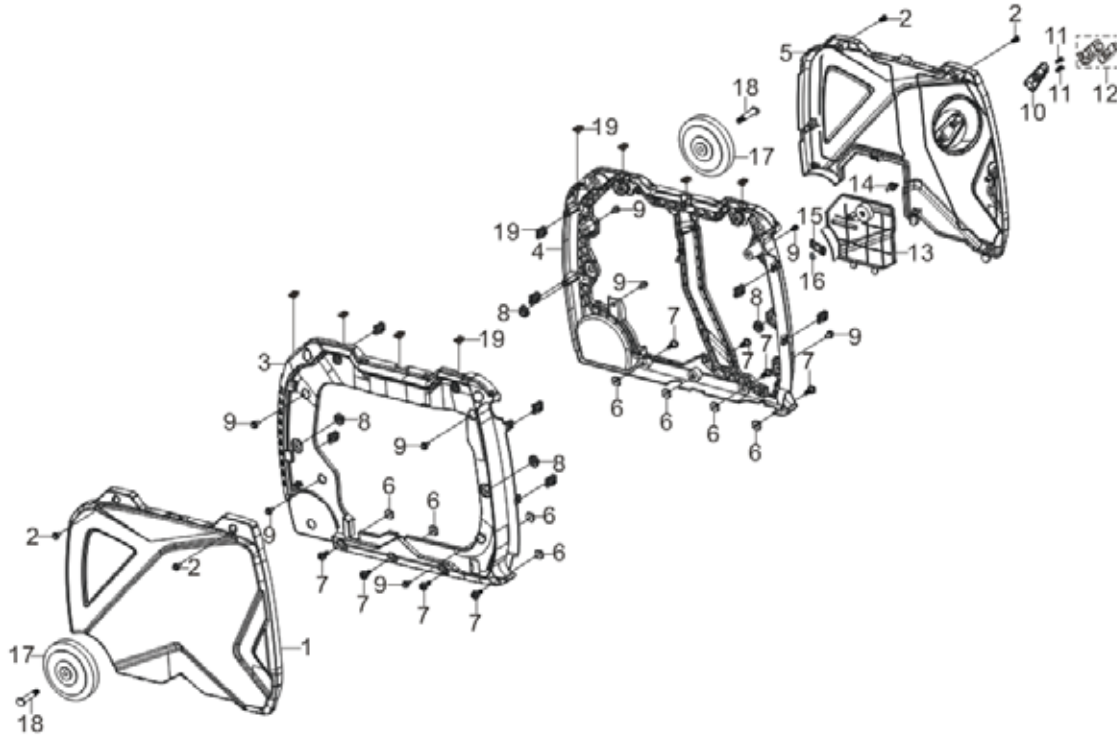


POS.	CODE	DESCRIPTION	QTY
F05-1	A08820	COUNTERSUNK HEAD TAPPING SCREW	3
F05-2	A09004	SWITCH	1
F05-3	A08811	COVER PLATE	1
F05-4	A08813	STOPPER ADJUSTING SPRING	1
F05-5	A08812	STEEL BALL	1
F05-6	A08852	BOLT	1
F05-7	A08815	FUEL COCK	1
F05-8	A09008	CHOKE WIRE	1
F05-9	A08891	HEXAGONAL STEP BOLT	6
F05-10	A09006	PANEL SEAT	1
F05-11	A08849	PAN HEAD SCREW	6
F05-12	A09005	CONTROL PANEL	1
F05-13	A08808	CROSS-RECESSED PAN HEAD SCREW	1
F05-14	A08809	KNOB	1
F05-15	A08906	HEXAGONAL STEP BOLT	1
F05-16	A08916	NYLON NUT	1
F05-17	A08914	STOPPER	1
F05-18	A09002	BATTERY COVER	1
F05-19	A08822	INDICATOR MOUNTING BASE	3
F05-20	A08823	SWITCH	1
F05-21	A08824	RESETTING BUTTON	1
F05-22	A08828	OVERCURRENT PROTECTOR	1
F05-23	A08829	D.C SOCKET	1
F05-24	A08896	D.C SOCKET	1
F05-25	A08529	POWER SUPPLY SOCKET	2
F05-26	A08827	GROUNDING TERMINAL	1
F05-27	A08826	POWER SUPPLY SOCKET	1
F05-28	A08825	POWER SUPPLY SOCKET	1
F05-34	A09043	FUEL TUBE	1
F05-35	A08875	PIPE CLAMP	1
F05-37	A08821	STATUS DISPLAY BOARD ASSEMBLY	1



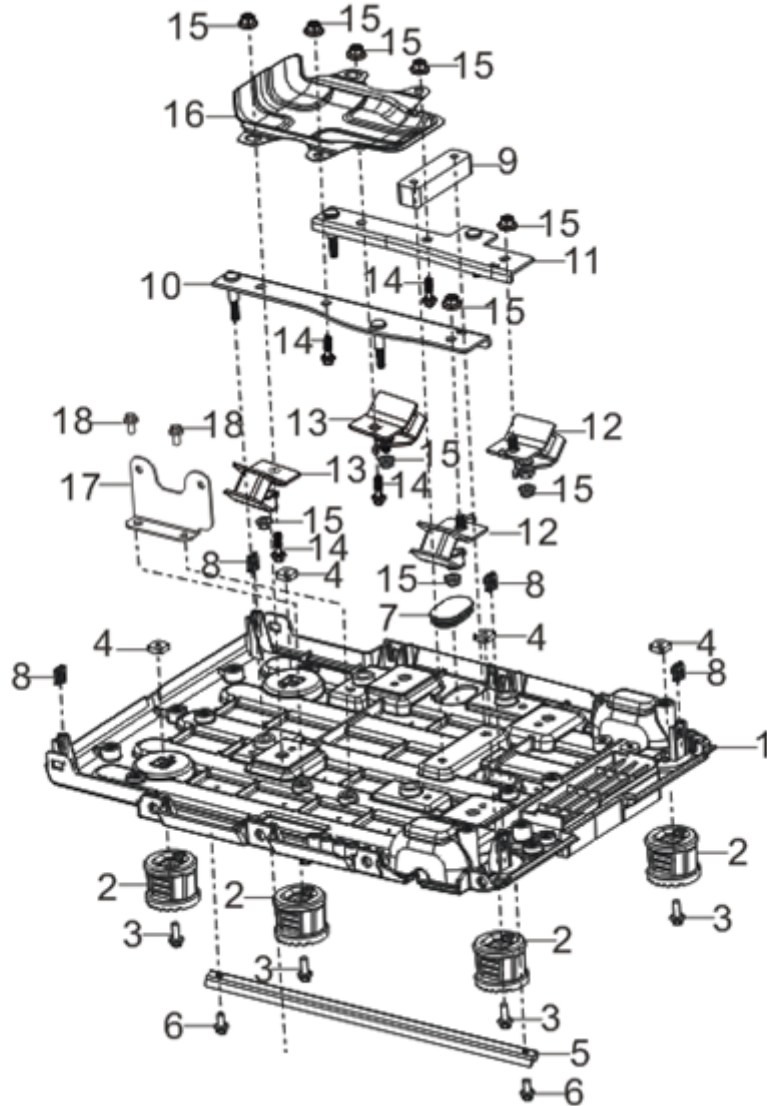
POS.	CODE	DESCRIPTION	QTY
F08-1	A09017	ROTATING BEAM	1
F08-2	A09015	ROTATING ARM	1
F08-3	A09016	ROTATING ARM	1
F08-4	A09105	HANDLE TUBE CONNECTING SEAT 2	1
F08-5	A09014	HANDLE TUBE CONNECTING SEAT 2	1
F08-6	A09013	HANDLE TUBE CONNECTING SEAT	1
F08-7	A09106	HANDLE TUBE CONNECTING SEAT	1
F08-8	A08968	BOLT	2
F08-9	A09025	BOLT	4
F08-10	A08496	BOLT	4
F08-11	A09033	NYLON NUT	2
F08-12	A09035	FLAT WASHER	2
F08-13	A08989	STATIONARY SHAFT	2
F08-14	A09037	FLAT WASHER	6
F08-15	A09045	POSITION FIXING BLOCK	2
F08-16	A09038	DISC WASHER	4
F08-17	A09036	FLAT WASHER	2

F31



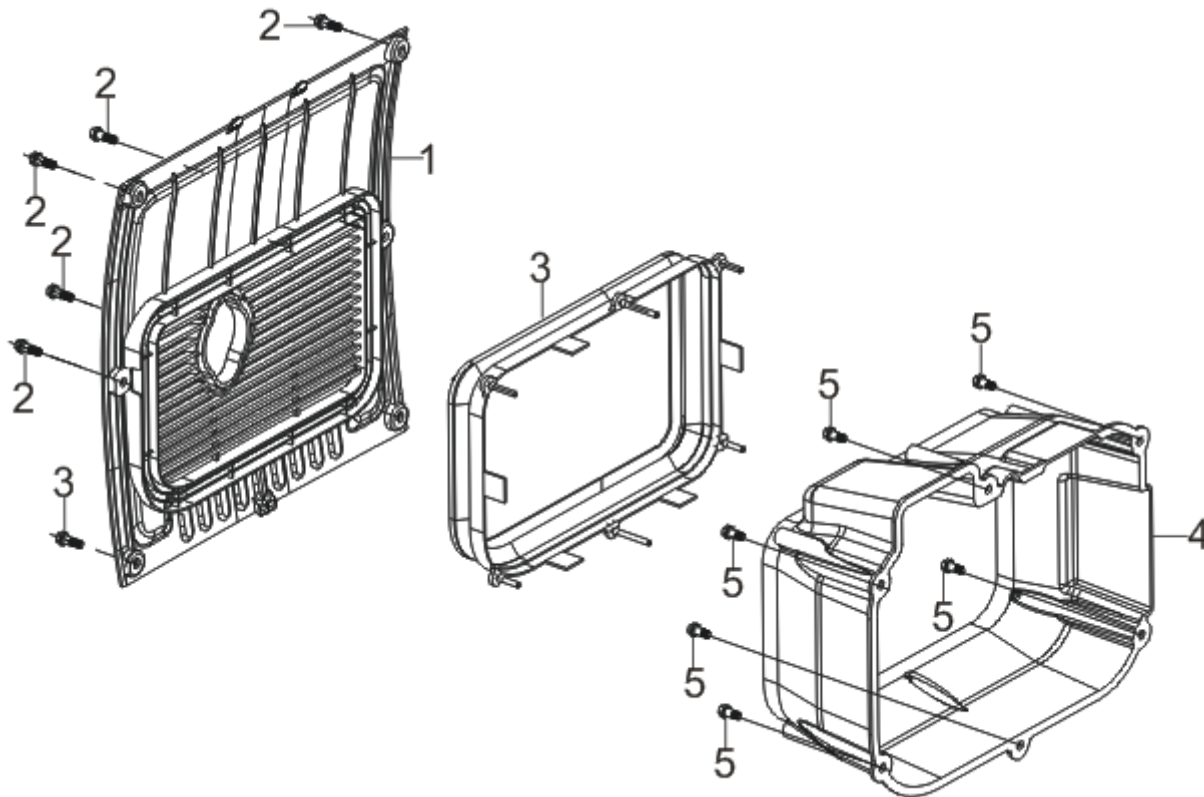
POS.	CODE	DESCRIPTION	QTY
F31-1	A09019	LEFT HOUSING COVER PLATE	1
F31-2	A08907	HEXAGONAL STEP BOLT	4
F31-3	A09018	LEFT HOUSING	1
F31-4	A09020	RIGHT HOUSING	1
F31-5	A09021	RIGHT APPEARANCE COVER PLATE	1
F31-6	A08969	NUT	8
F31-7	A08910	HEXAGON STEP BOLT	8
F31-8	A08842	FUEL TANK RUBBER SLEEVE	4
F31-9	A08968	BOLT	8
F31-10	A08848	STARTING ROPE GUIDE	1
F31-11	A08849	CROSS-RECESSED SMALL PAN HEAD SCREW	2
F31-12	A08850	RECOIL STRATER CABLE HANDLE	1
F31-13	A08967	RIGHT ACCESS DOOR	1
F31-14	A08906	HEXAGONAL STEP BOLT	1
F31-15	A08914	STOPPER	1
F31-16	A08916	NYLON NUT	1
F31-17	A08957	FRONT WHEEL	2
F31-18	A08958	REAR WHEEL SHAFT	2
F31-19	A08915	NUT CLIP	16

F32



POS.	CODE	DESCRIPTION	QTY
F32-1	A08964	BOTTOM PLATE	1
F32-2	A08959	ENGINE FRAME SHOCK ABSORPTION SEAT	4
F32-3	A08496	BOLT	4
F32-4	A08969	NUT	4
F32-5	A08960	BOTTOM PLATE REINFORCEMENT PLATE	1
F32-6	A08968	BOLT	2
F32-7	A08970	END PLUG	1
F32-8	A08915	CLIP NUT	4
F32-9	A08961	BUFFERING PAD SUPPORT	1
F32-10	A08965	DYNAMIC LEFT SUPPORT	1
F32-11	A08966	DYNAMIC RIGHT SUPPORT	1
F32-12	A08962	ENGINE FRAME LEFT CUSHION	2
F32-13	A08963	ENGINE FRAME RIGHT CUSHION	2
F32-14	A08551	BOLT	4
F32-15	A08520	HEXAGON NUT WITH FLANGE	10
F32-16	A08952	CRANKCASE AIR DEFLECTOR	1
F32-17	A08953	AIR CLEANER SUPPORT	1
F32-18	A08968	BOLT	2

F33



POS.	CODE	DESCRIPTION	QTY
F33-1	A08954	MUFFLER SIDE COVER	1
F33-2	A08891	HEXAGONAL STEP BOLT	6
F33-3	A08955	MUFFLER INSULATOR RUBBER 2	1
F33-4	A08956	MUFFLER OUTER COVER	1
F33-5	A08907	HEXAGONAL STEP BOLT	6