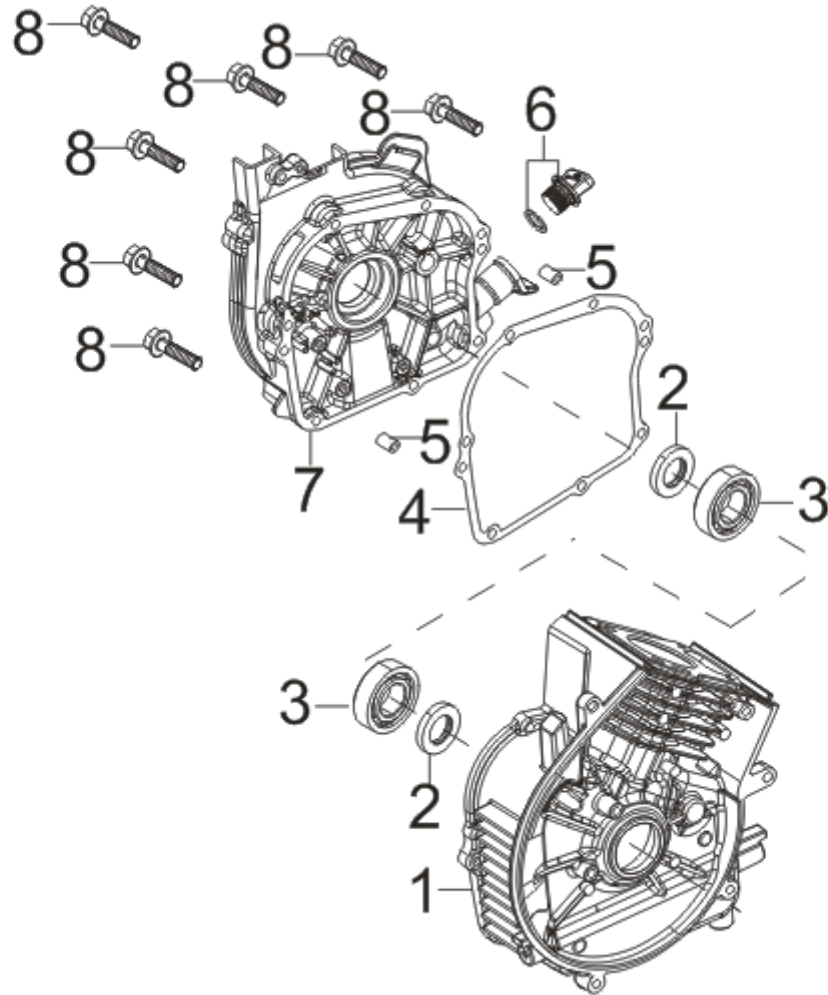
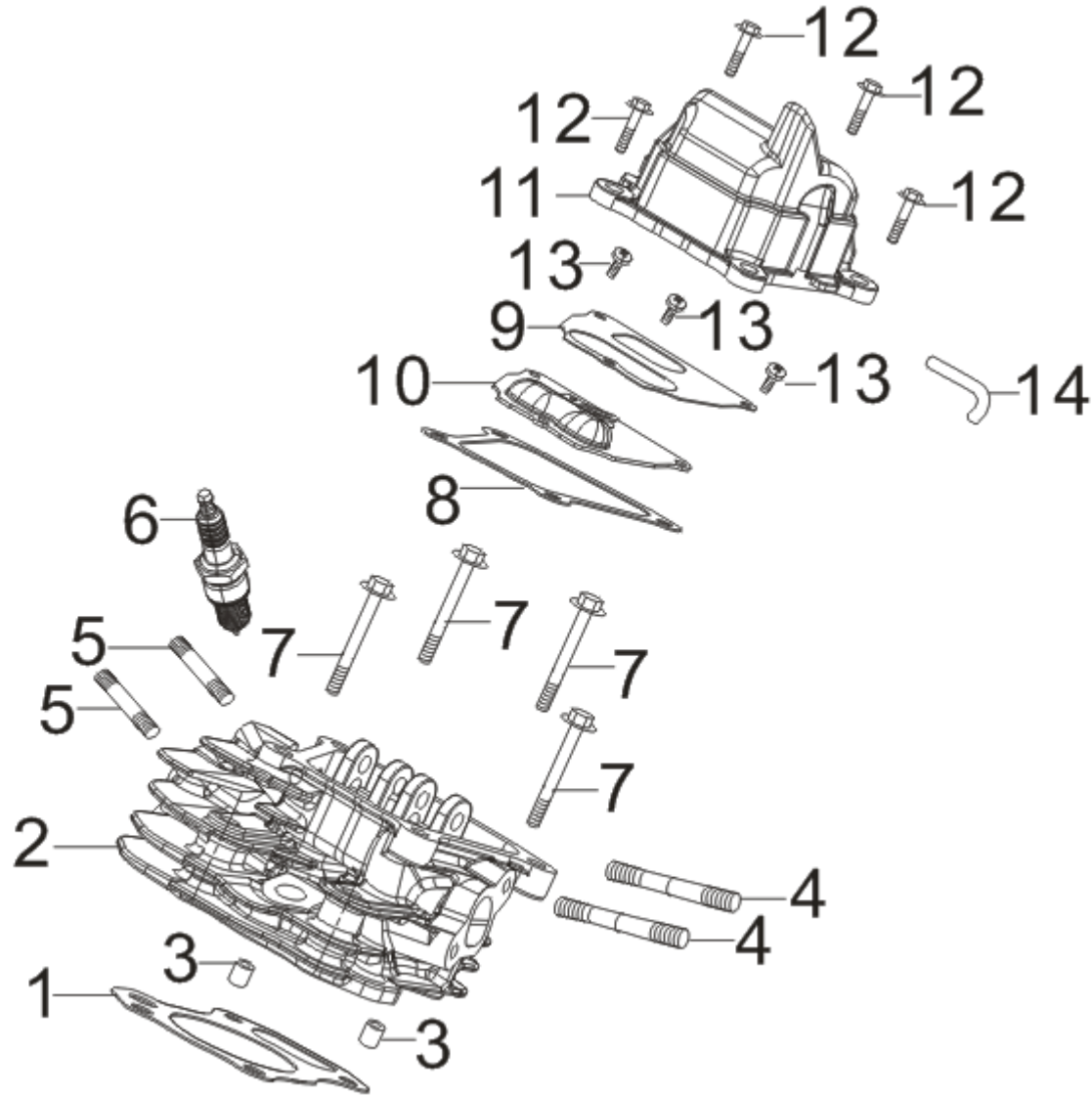


E01



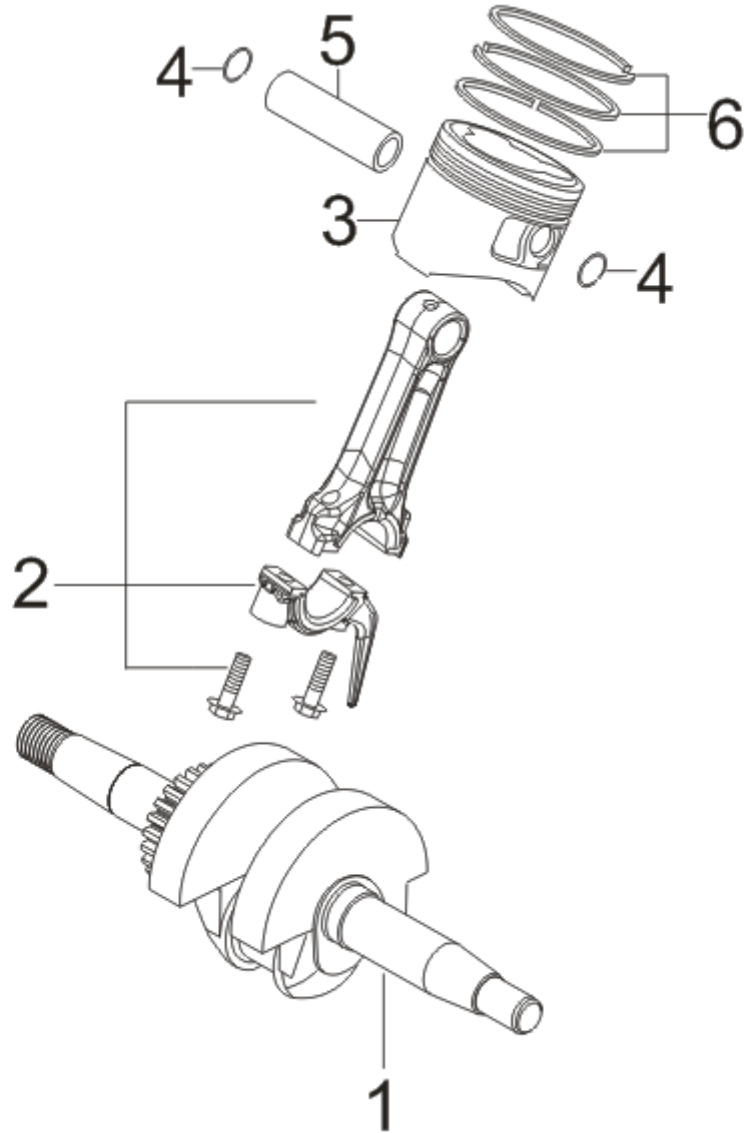
POS.	CODE	DESCRIPTION	QTY
1	A08357	CRANKCASE	1
2	A08765	OIL SEAL	2
3	A08766	BALL BEARING	2
4	A08358	CRANKCASE GASKET	1
5	A08550	POSITION PIN	2
6	A08473	OIL DIPSTICK	1
7	A08359	CRANKCASE COVER	1
8	A08767	BOLT	7

E03



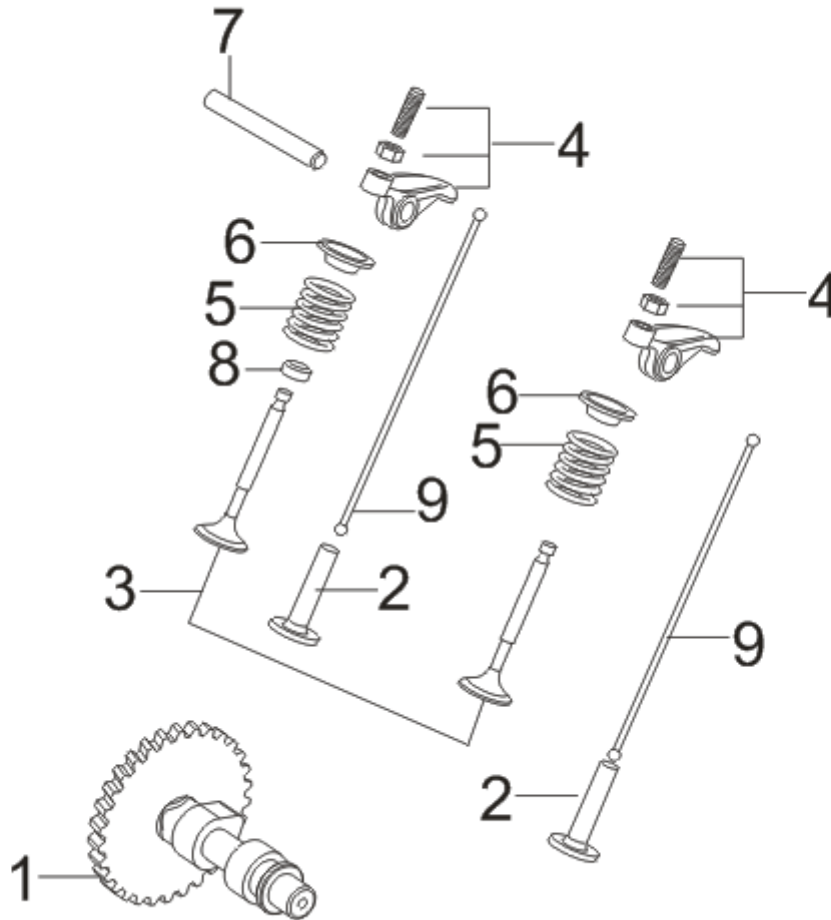
POS.	CODE	DESCRIPTION	QTY
1	A08360	CYLINDER HEAD GASKET	1
2	A08361	CYLINDER HEAD	1
3	A08550	POSITION PIN	2
4	A08768	STUD BOLT	2
5	A08769	STUD BOLT	2
6	A08770	SPARK PLUG	1
7	A08362	CYLINDER HEAD BOLT	4
8	A08363	CYLINDER HEAD COVER GASKET	1
9	A08364	STOP ENGINE PIECE	1
10	A08365	BREATH GROOVE GASKET	1
11	A08366	CYLINDER HEAD COVER	1
12	A08886	BOLT	4
13	A08771	CROSS-RECESSED PAN HEAD SCREW	3
14	A08772	BREATHER TUBE	1

E05



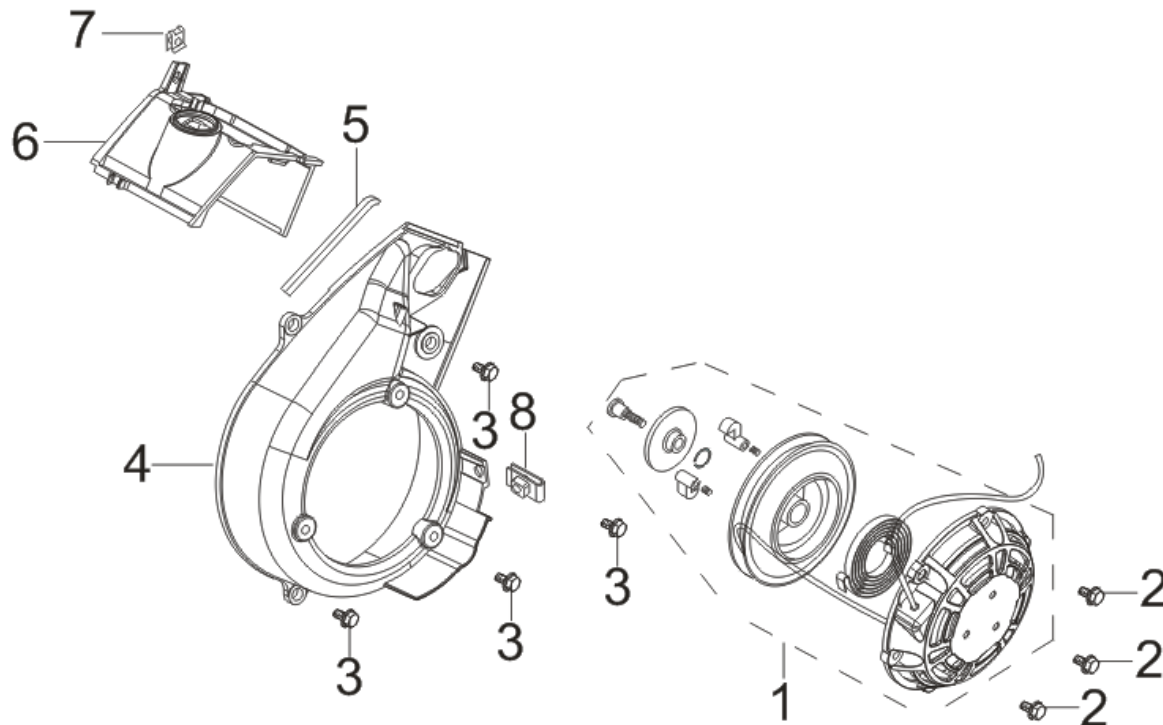
POS.	CODE	DESCRIPTION	QTY
1	A08426	CRANKSHAFT ASSEMBLY	1
2	A08367	CONNECTING ROD	1
3	A08368	PISTON	1
4	A08415	PISTON PIN CLIP	2
5	A08369	PISTON PIN	1
6	A08416	PISTON RING SET	1

**E06**



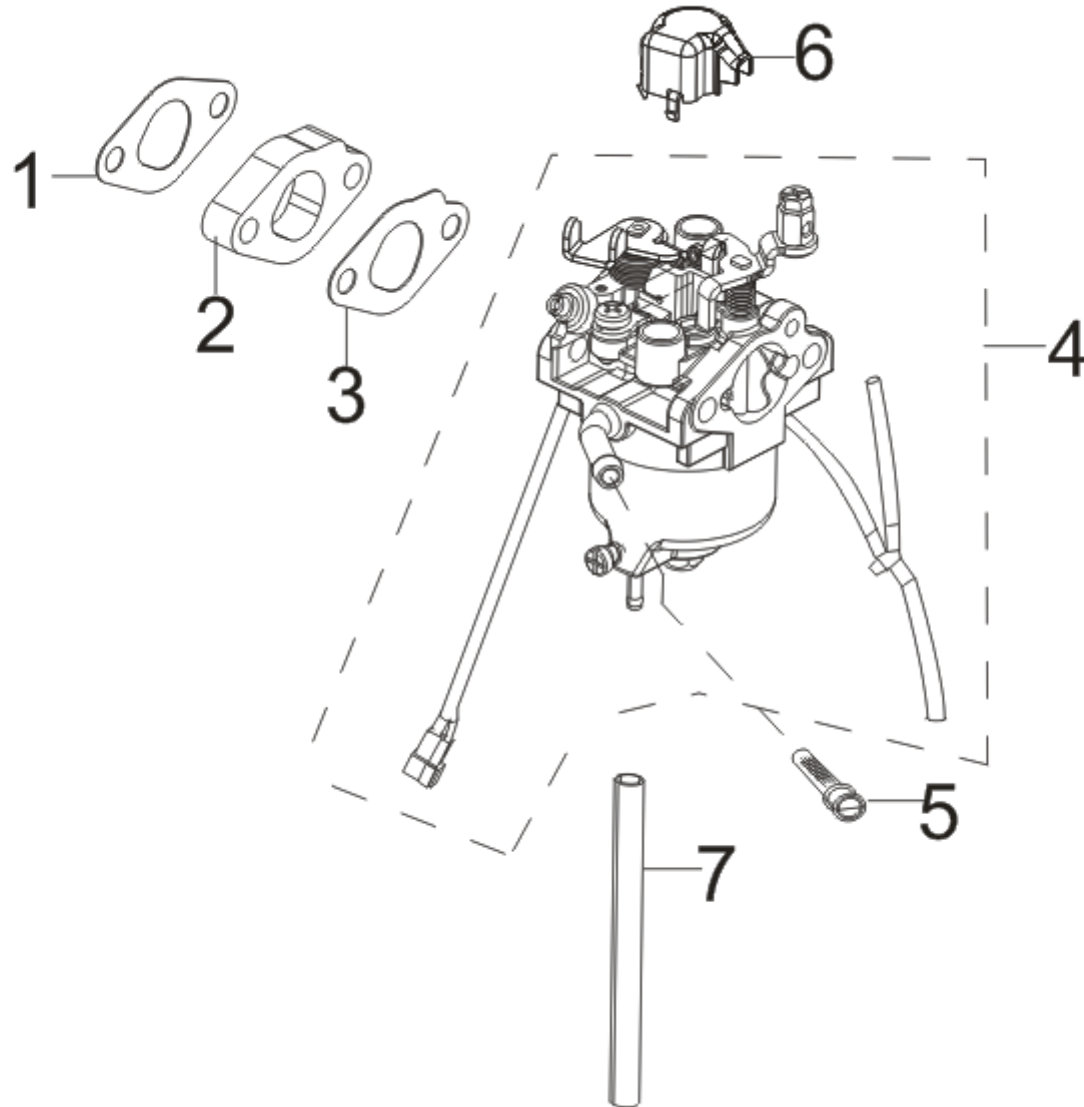
POS.	CODE	DESCRIPTION	QTY
1	A08453	CAMSHAFT ASSEMBLY	1
2	A08447	VALVE TAPPET	2
3	A08370	VALVES SET	1
4	A08454	VALVE ROCKER	2
5	A08371	VALVE SPRING	2
6	A08372	VALVE SPRING SEAT	2
7	A08465	VALVE ROCKER SHAFT	1
8	A08373	SEAL GUIDE	1
9	A08436	VALVE LIFTER	2

E08



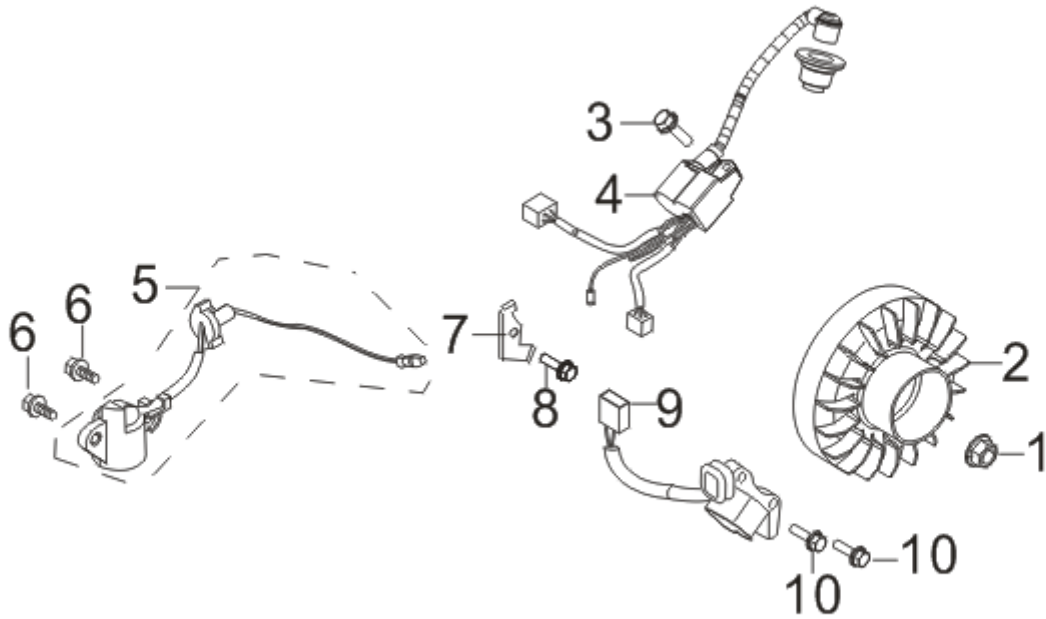
POS.	CODE	DESCRIPTION	QTY
1	A08773	RECOIL STARTER	1
2	A08968	BOLT	3
3	A08886	BOLT	4
4	A08774	SHROUD	1
5	A08775	SHROUD SEAL STRIP	1
6	A08374	CYLINDER HEAD WIND DEFLECTOR	1
7	A08776	CLIP NUT	1
8	A08777	CLIP NUT	1

E09



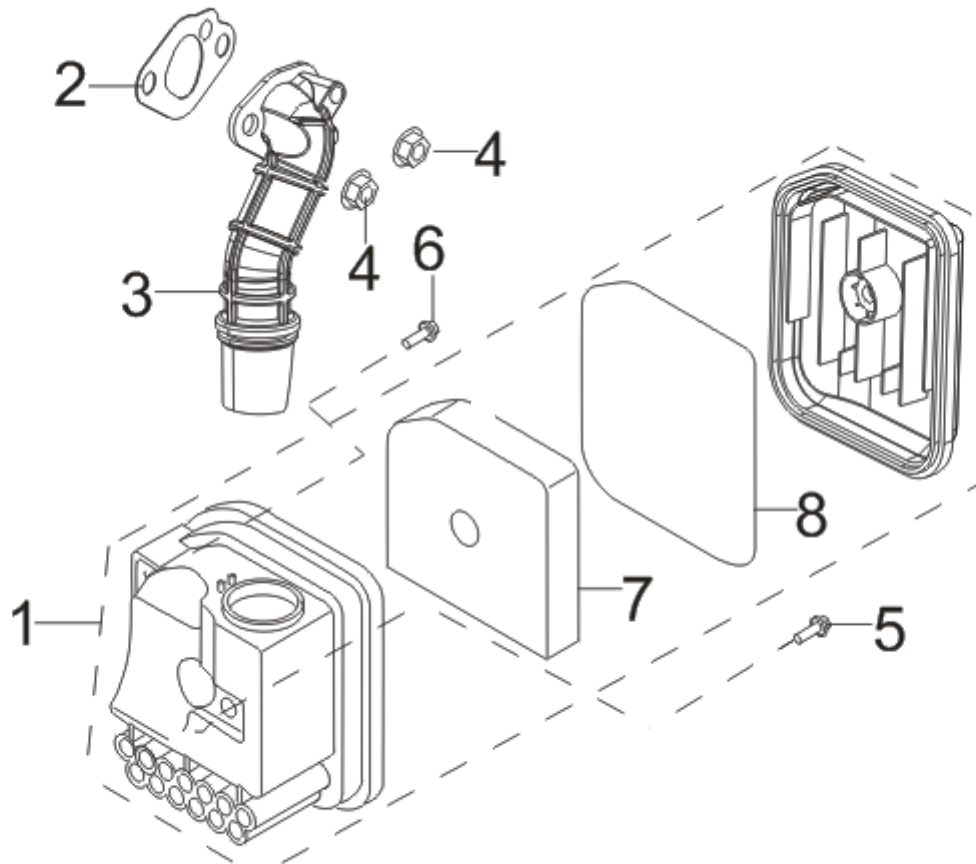
POS.	CODE	DESCRIPTION	QTY
1	A08474	CARBURETOR SEAL GASKET	1
2	A08778	CARBURETOR INSULATOR PLATE	1
3	A08475	CARBURETOR INSULATOR GASKET	1
4	A08779	CARBURETOR ASSEMBLY	1
5	A08780	FUEL STRAINER	1
6	A08466	CAP	1
7	A08781	FUEL TUBE	1

**E10**



POS.	CODE	DESCRIPTION	QTY
1	A08437	FLYWHEEL NUT	1
2	A08971	FLYWHEEL	1
3	A08767	BOLT	1
4	A08782	IGNITOR	1
5	A08783	ENGINE OIL SENSOR	1
6	A08646	BOLT	2
7	A08784	TENSION DISC	1
8	A08646	BOLT	1
9	A08785	IGNITION COIL	1
10	A08767	BOLT	2

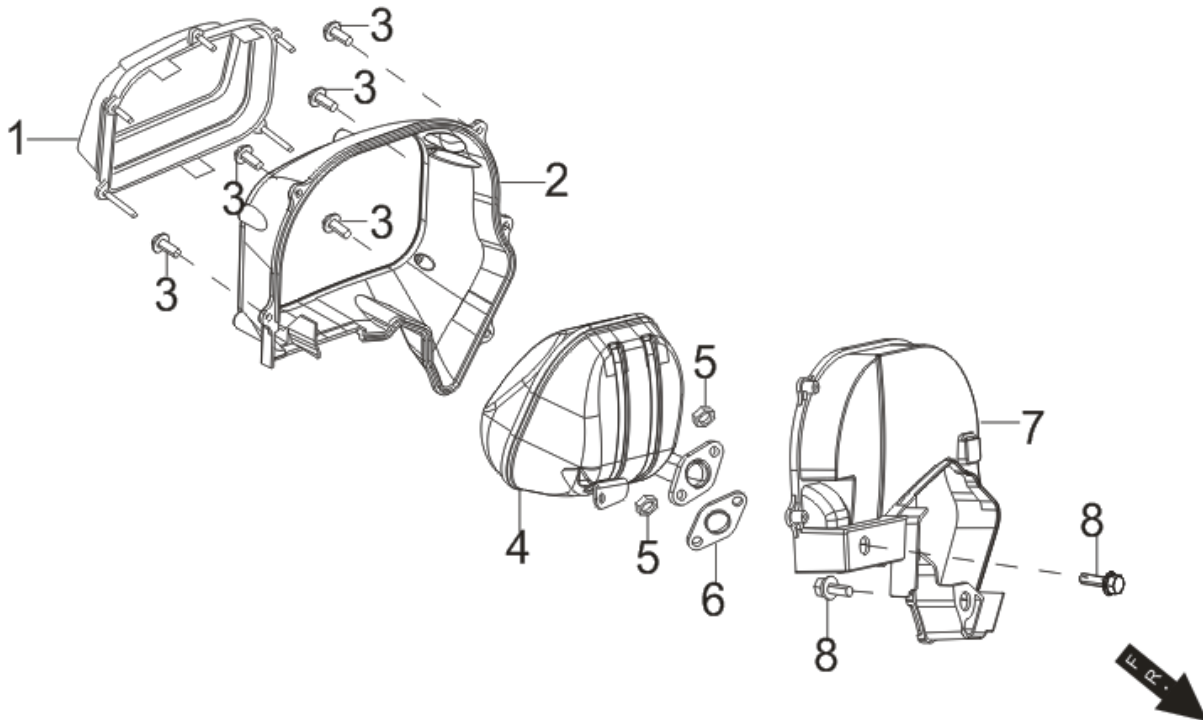
F01



POS.	CODE	DESCRIPTION	QTY
1	A08786	AIR CLEANER	1
2	A08787	AIR CLEANER SEAL GASKET	1
3	A08788	AIR CLEANER INTAKE DUCT	1
4	A08506	HEXAGON NUT WITH FLANGE	2
5	A08789	BOLT	1
6	A08767	BOLT	1
7	A08790	FILTER ELEMENT	1
8	A08791	LOCK RING	1

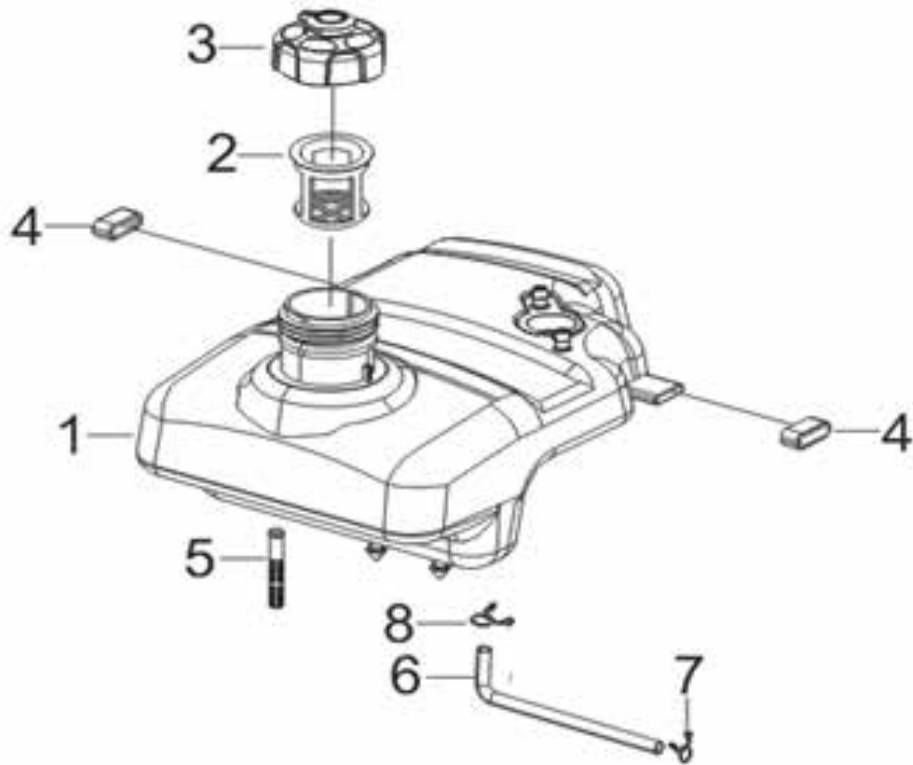


F02



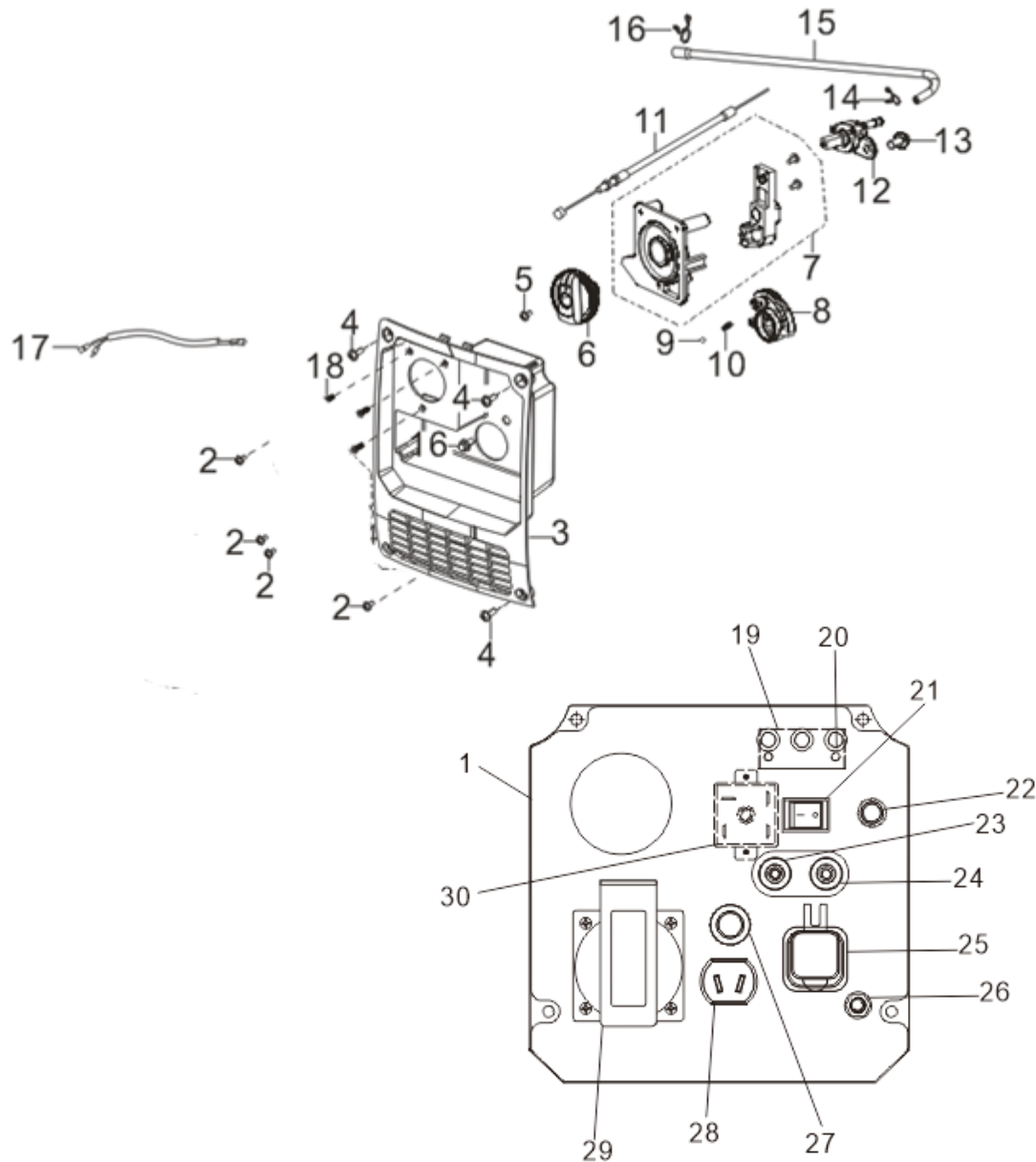
POS.	CODE	DESCRIPTION	QTY
1	A08792	MUFFLER SIDE COVER	1
2	A08793	MUFFLER SHROUD	1
3	A09775	CROSS-RECESSED PAN HEAD SELF-TAPPING SCREW	5
4	A08794	MUFFLER ASSEMBLY	1
5	A08885	HEXAGON NUT	2
6	A08795	EXHAUST OUTLET GASKET	1
7	A08796	MUFFLER COVER	1
8	A08886	BOLT	2

F03



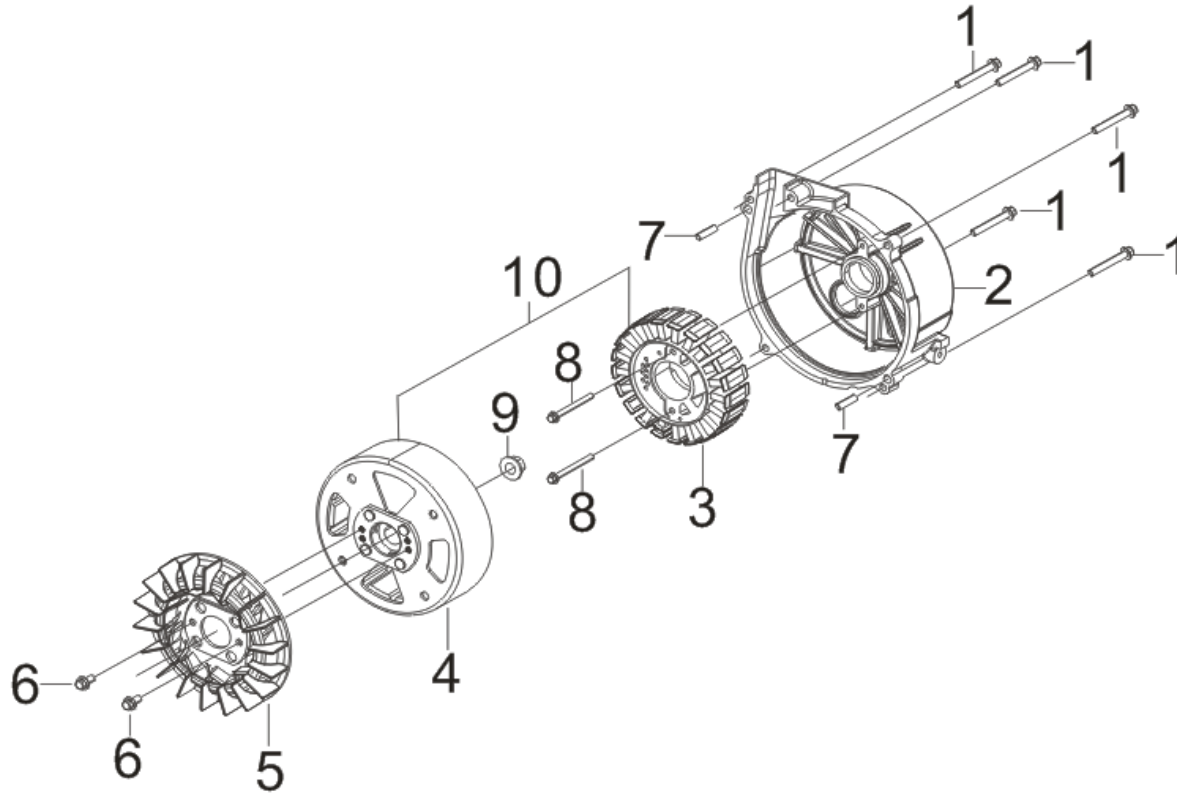
POS.	CODE	DESCRIPTION	QTY
1	A08797	FUEL TANK	1
2	A08798	FUEL STRAINE	1
3	A08799	FUEL TANK COVER	1
4	A08800	BUSH	2
5	A08801	STRAINER ELEMENT	1
6	A08802	FUEL TUBE	1
7	A08816	COLLAR	1
8	A08803	COLLAR	1

F05



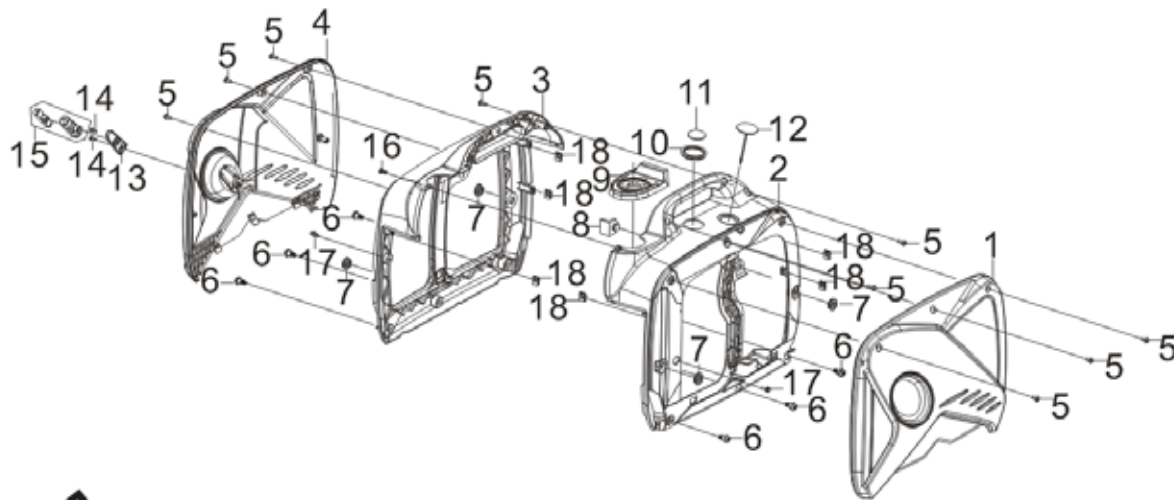
POS.	CODE	DESCRIPTION	QTY
1	A08804	CONTROL PANEL	1
2	A08805	SELF-TAPPING SCREW	4
3	A08806	PANEL SEAT	1
4	A08807	BOLT	4
5	A08808	CROSS-RECESSED PAN HEAD SCREW	1
6	A08809	KNOB	1
7	A08810	SWITCH	1
8	A08811	COVER PLATE	1
9	A08812	STEEL BALL	1
10	A08813	STOPPER ADJUSTING SPRING	1
11	A08814	CHOKE WIRE	1
12	A08815	FUEL COCK	1
13	A08968	BOLT	1
14	A08816	PIPE CLAMP	1
15	A08817	FUEL TUBE	1
16	A08818	PIPE CLAMP	1
17	A08819	CONTROL PANEL WIRING HARNESS	1
18	A08820	COUNTERSUNK HEAD TAPPING SCREW	3
19	A08821	STATUS DISPLAY BOARD ASSEMBLY	1
20	A08822	INDICATOR MOUNTING BASE	3
21	A08823	SWITCH	1
22	A08824	RESETTING BUTTON	1
23	A08825	POWER SUPPLY SOCKET	1
24	A08826	POWER SUPPLY SOCKET	1
25	A08896	POWER SUPPLY SOCKET	1
26	A08827	GROUNDING TERMINAL	1
27	A08828	OVERCURRENT PROTECTOR	1
28	A08829	D.C SOCKET	1
29	A08529	POWER SUPPLY SOCKET	1
30	A08528	RECTIFICATION BRIDGE	1

F06



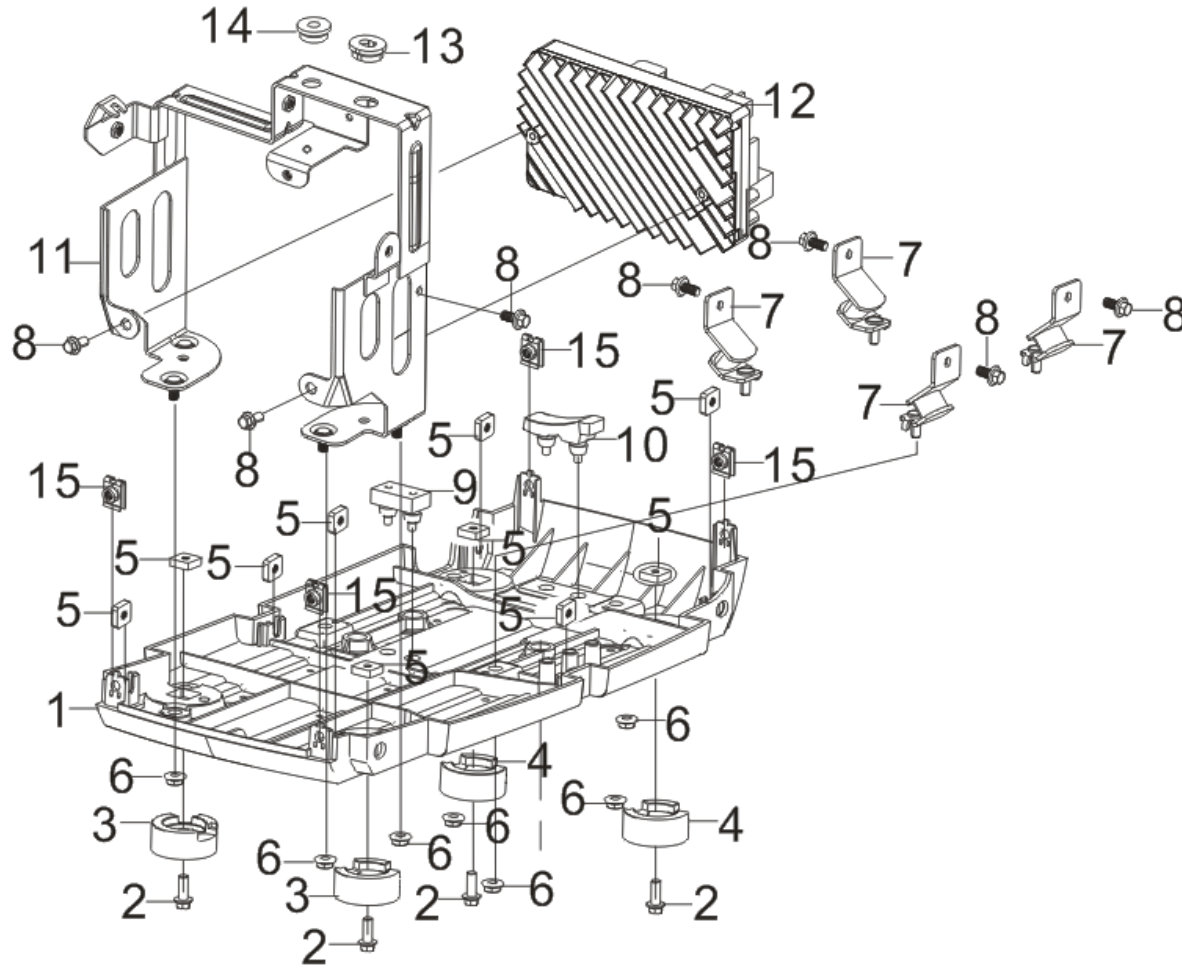
POS.	CODE	DESCRIPTION	QTY
1	A08830	BOLT	5
2	A08831	ALTERNATOR SHROUD	1
3	A08832	STATOR	1
4	A08833	ROTOR	1
5	A08834	IMPELLER	1
6	A08494	BOLT	2
7	A08902	POSITION PIN	2
8	A08835	BOLT	2
9	A08836	HEXAGON NUT WITH FLANGE	1

F31



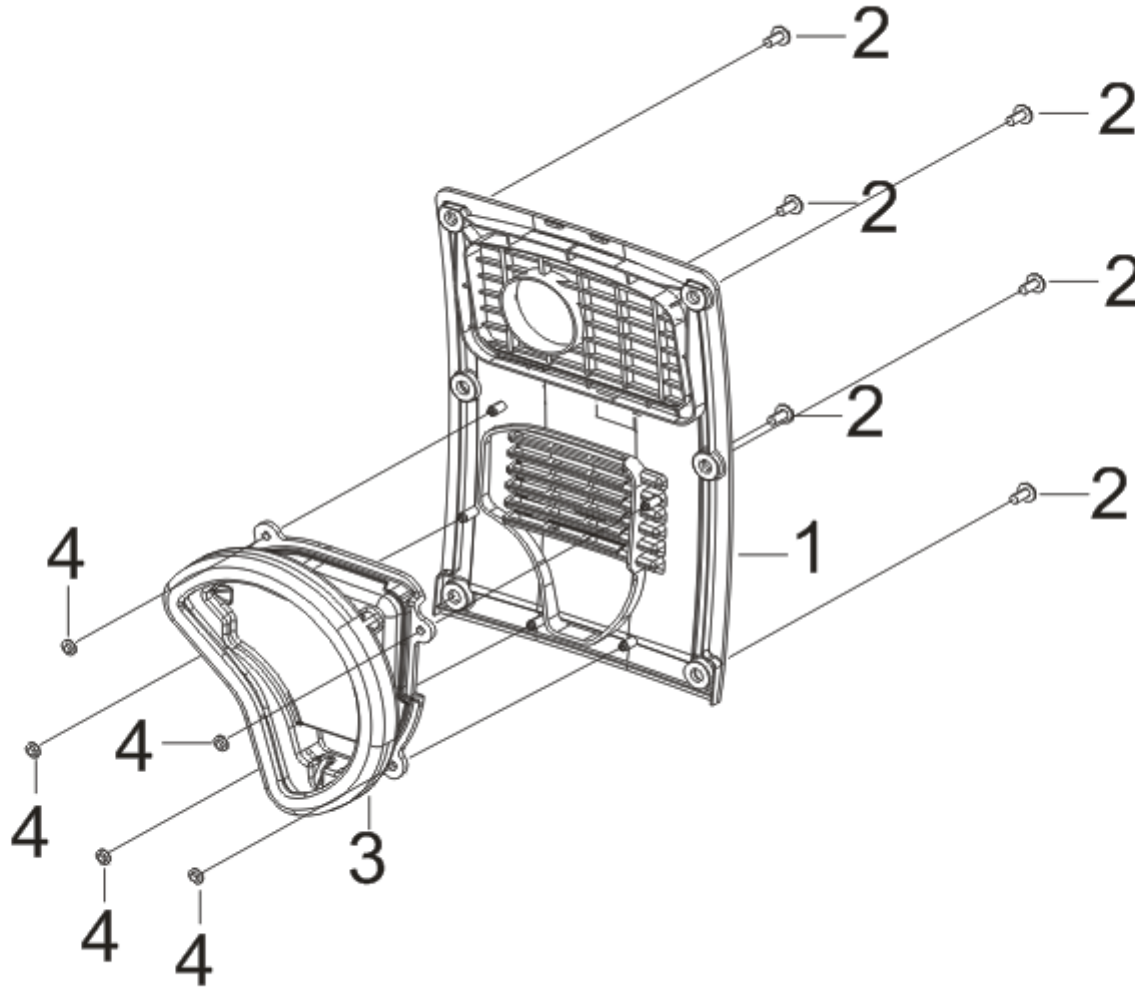
POS.	CODE	DESCRIPTION	QTY
1	A08837	RIGHT APPEARANCE COVER PLATE	1
2	A08838	RIGHT HOUSING	1
3	A08839	LEFT HOUSING	1
4	A08840	LEFT HOUSING COVER PLATE	1
5	A08807	BOLT	9
6	A08841	HEXAGONAL STEP BOLT	6
7	A08842	FUEL TANK RUBBER SLEEVE	4
8	A08843	ENGINE UPPER SUSPENSION RUBBER CUSHION	1
9	A08844	FILLING OIL HOLE RUBBER SLEEVE	1
10	A08845	RUBBER JACKET	1
11	A08846	OIL LEVERLER VIEW OPENING	1
12	A08847	RUBBER JACKET	2
13	A08848	STARTING ROPE GUIDE	1
14	A08849	BOLT	2
15	A08850	RECOIL STRATER CABLE HANDLE	1
16	A08820	COUNTERSUNK HEAD TAPPING SCREW	1
17	A08646	BOLT	2
18	A08777	NUT CLIP	6

**F32**



POS.	CODE	DESCRIPTION	QTY
1	A08851	BOTTOM PLATE	1
2	A08852	BOLT	4
3	A08853	ENGINE FRAME SHOCK ABSORPTION SEAT	2
4	A08854	ENGINE FRAME SHOCK ABSORPTION SEAT	2
5	A08969	NUT	10
6	A08506	HEXAGON NUT WITH FLANGE	7
7	A08855	ENGINE FRAME CUSHION	4
8	A08968	BOLT	7
9	A08856	BUFFERING PAD SUPPORT	1
10	A08857	BUFFERING PAD SUPPORT	1
11	A08858	INVERTOR MOUNTING RACK	1
12	A08859	INVERTOR	1
13	A08842	FUEL TANK RUBBER SLEEVE	1
14	A08860	FUEL TANK RUBBER SLEEVE	1
15	A08777	NUT CLIP	4

**F33**



POS.	CODE	DESCRIPTION	QTY
1	A08861	MUFFLER SIDE COVER	1
2	A08849	BOLT	6
3	A08862	JOINT RUBBER CUSHION	1
4	A08863	SPRING CLAMP	5