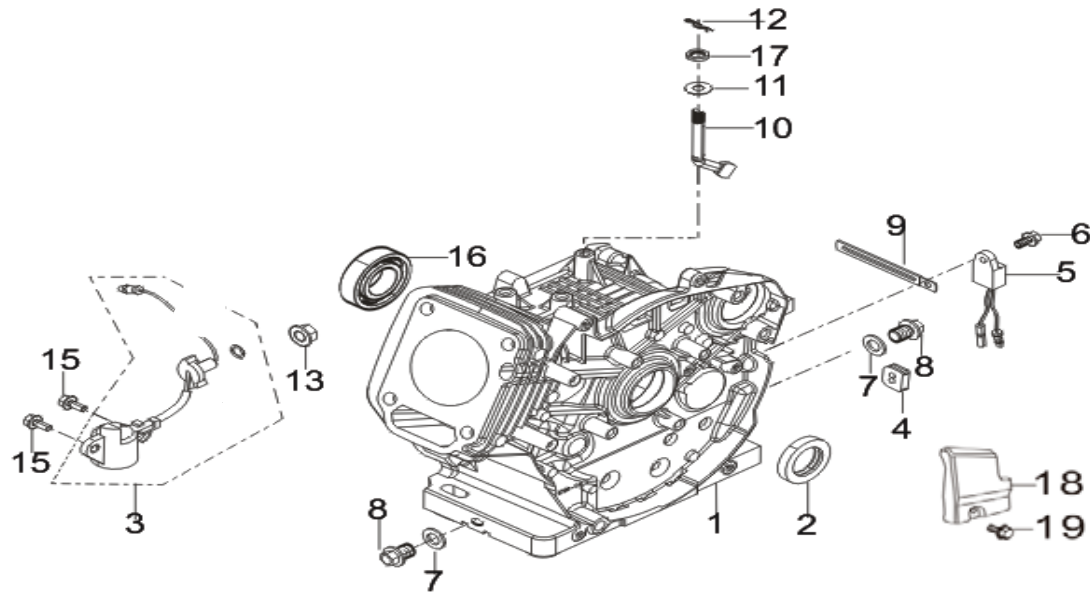
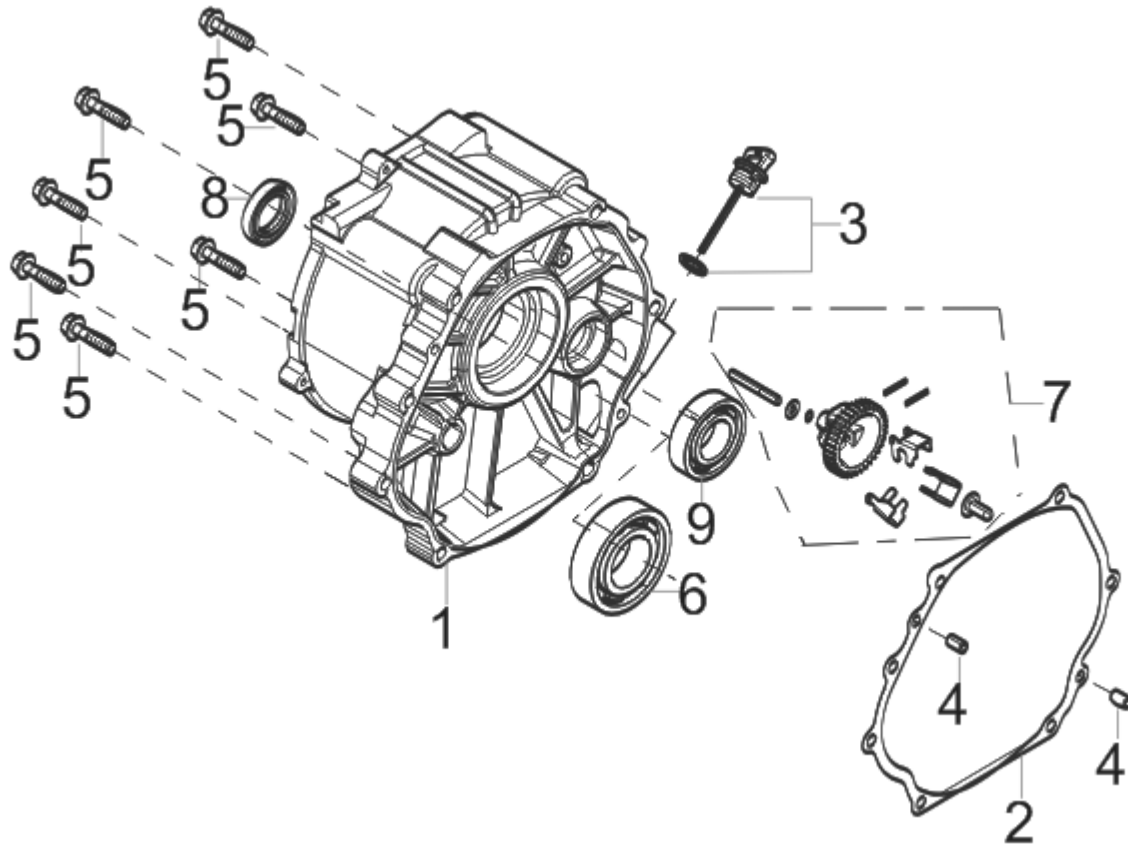


E01



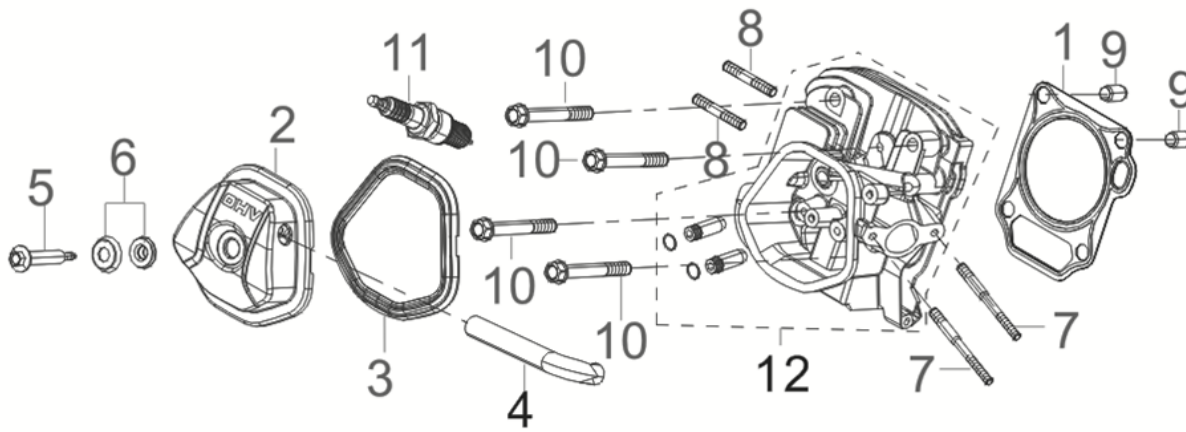
POS.	CODE	DESCRIPTION	QTY
1	A08328	CRANKCASE	1
2	A08704	OIL SEAL	1
3	A08544	ENGINE OIL SENSOR	1
4	A08545	RUBBER PLUG	1
5	A08615	OIL PROTECTOR	1
6	A08968	BOLT	1
7	A08546	FLAT WASHER	2
8	A09104	DRAIN PLUG BOLT	2
9	A08924	WIRE CLIP	1
10	A08547	GOVERNOR ARM	1
11	A08548	FLAT WASHER	1
12	A08951	COTTER PIN	1
13	A08485	HEXAGON NUT WITH FLANGE	1
15	A08496	BOLT	2
16	A08549	BALL BEARING	1
17	A08726	OIL SEAL	1
18	A08654	OIL PROTECTOR COVER	1
19	A08502	HEXAGON SOCKET FLANGE FACE BOLT	1

E02



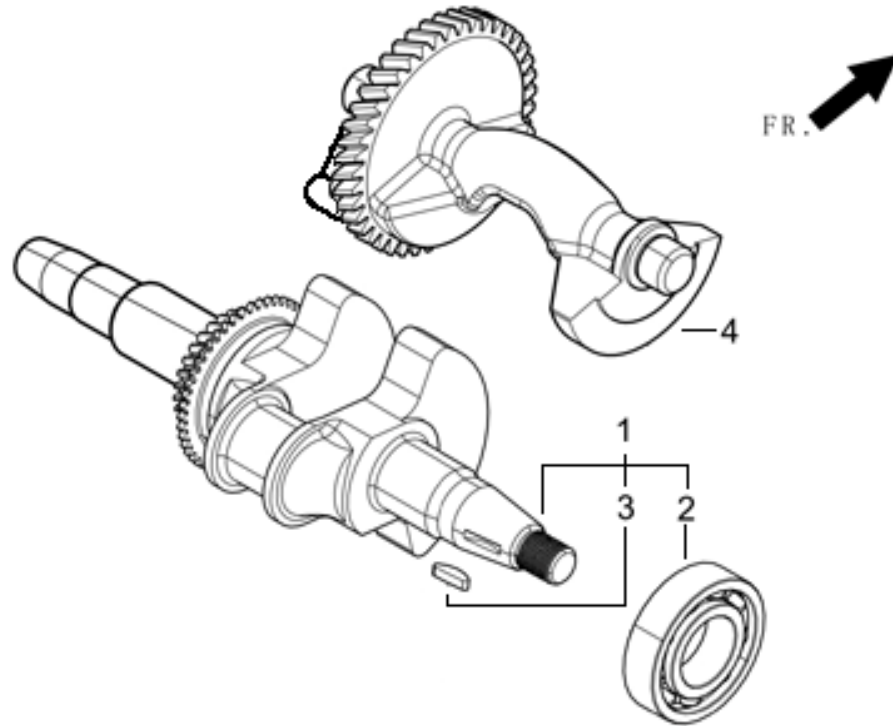
POS.	CODE	DESCRIPTION	QTY
1	A08326	CRANKCASE COVER	1
2	A08305	CRANKCASE GASKET	1
3	A08471	OIL DIPSTICK	1
4	A08550	POSITION PIN	2
5	A08551	BOLT	7
6	A08703	BALL BEARING	1
7	A08730	GOVERNOR GEAR	1
8	A08704	OIL SEAL	1
9	A08549	BALL BEARING	1

E03



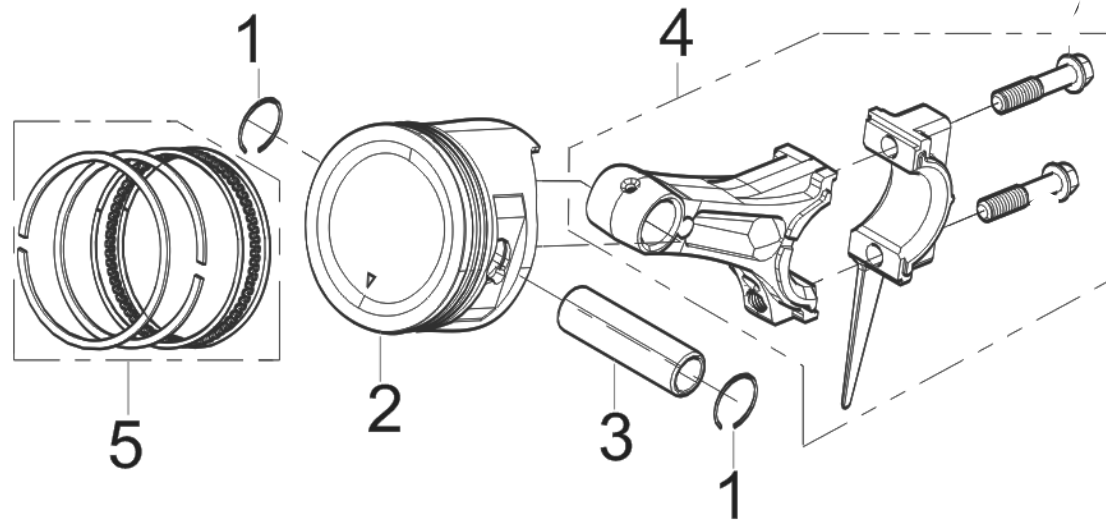
POS.	CODE	DESCRIPTION	QTY
1	A08329	CYLINDER HEAD GASKET	1
2	A08307	CYLINDER HEAD COVER	1
3	A08308	CYLINDER HEAD COVER GASKET	1
4	A08554	BREATHER TUBE	1
5	A08309	CYLINDER HEAD COVER BOLT	1
6	A08330	CYLINDER HEAD COVER BOLT GASKET + WASHER	1
7	A08705	STUD BOLT	2
8	A08556	STUD BOLT	2
9	A08557	POSITION PIN	2
10	A08311	CYLINDER HEAD BOLT	4
11	A08940	SPARK PLUG	1
12	A08331	CYLINDER HEAD	1

E04



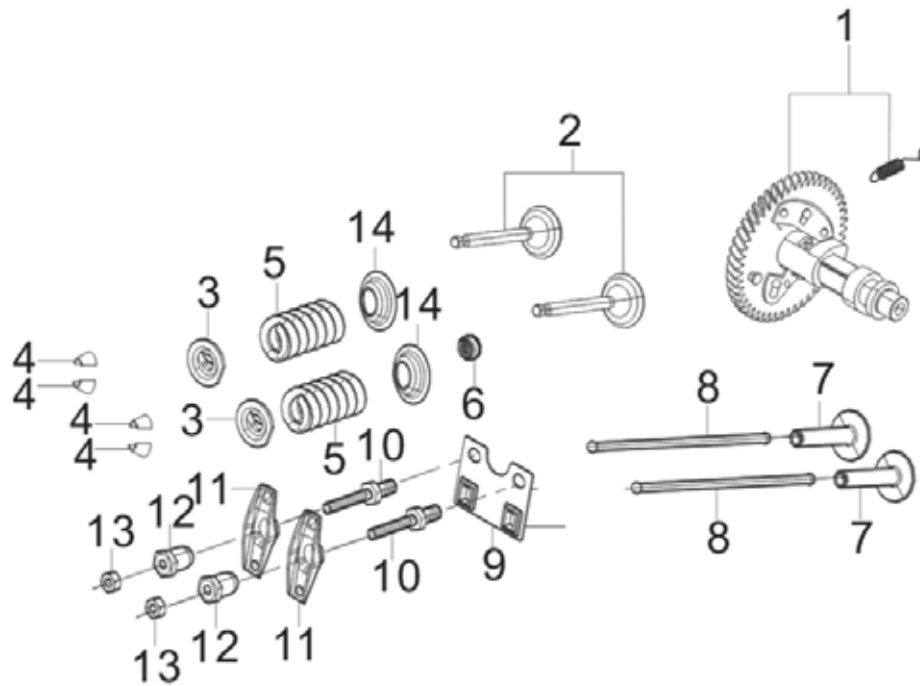
POS.	CODE	DESCRIPTION	QTY
1	A08424	CRANKSHAFT	1
2	A08552	BEARING 6207	1
3	A09916	KEY	1
4	A08422	BALANCING SHAFT	1

E05



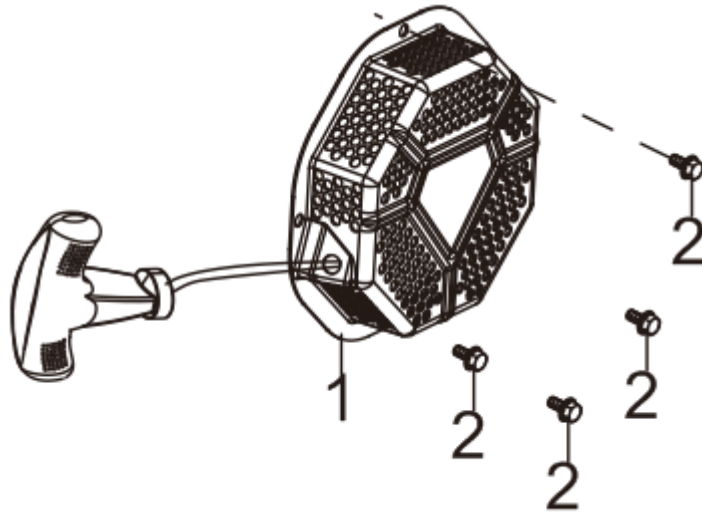
POS.	CODE	DESCRIPTION	QTY
1	A08410	PISTON PIN CLIP	2
2	A08332	PISTON	1
3	A08333	PISTON PIN	1
4	A08315	CONNECTING ROD	1
5	A08412	PISTON RING SET	1

E06



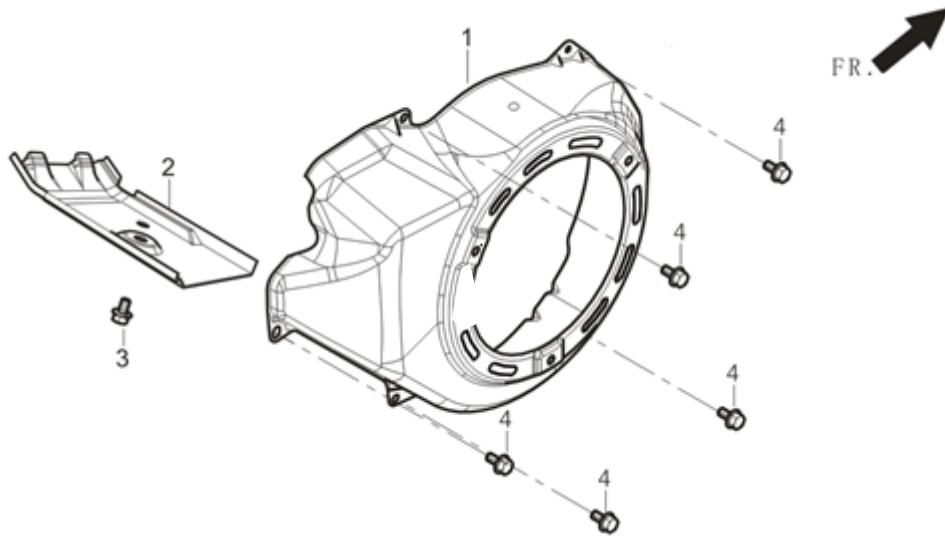
POS.	CODE	DESCRIPTION	QTY
1	A08443	CAMSHAFT ASSEMBLY	1
2	A08334	VALVES SET	1
3	A08335	VALVE OUTER SPRING RETAINER	2
4	A08336	VALVE LOCK CLAMP	2
5	A08337	VALVE SPRING	2
6	A08338	SEAL GUIDE	1
7	A08444	VALVE TAPPET	2
8	A08430	VALVE LIFTER	2
9	A08972	LIFTER STOPPER PLATE	1
10	A08459	ROCKER SHAFT BOLT	2
11	A08463	VALVE ROCKER	2
12	A08461	VALVE ADJUSTING NUT	2
13	A08462	VALVE LOCK NUT	2
14	A08339	VALVE SPRING SEAT	2

E07



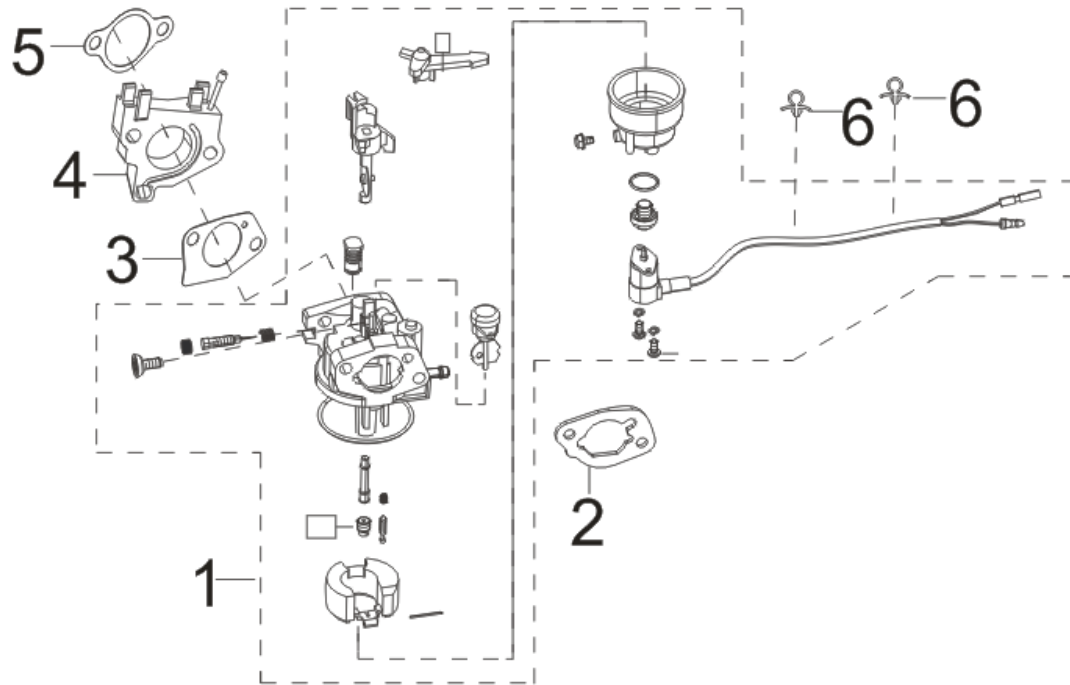
POS.	CODE	DESCRIPTION	QTY
1	A08655	RECOIL STARTER ASSEMBLY	1
2	A08613	HEXAGON SOCKET FLANGE FACE BOLT	4

E08



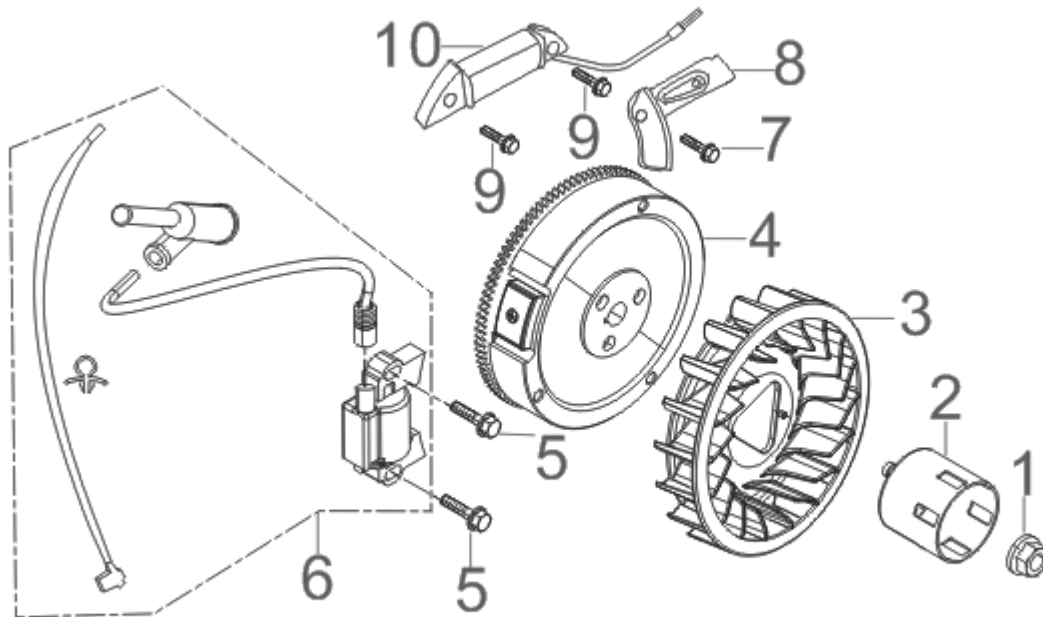
POS.	CODE	DESCRIPTION	QTY
1	A08706	SHROUD	1
2	A08559	CYLINDER BODY SHROUD	1
3	A08968	HEXAGON SOCKET FLANGE FACE BOLT	1
4	A08968	HEXAGON SOCKET FLANGE FACE BOLT	5

E09



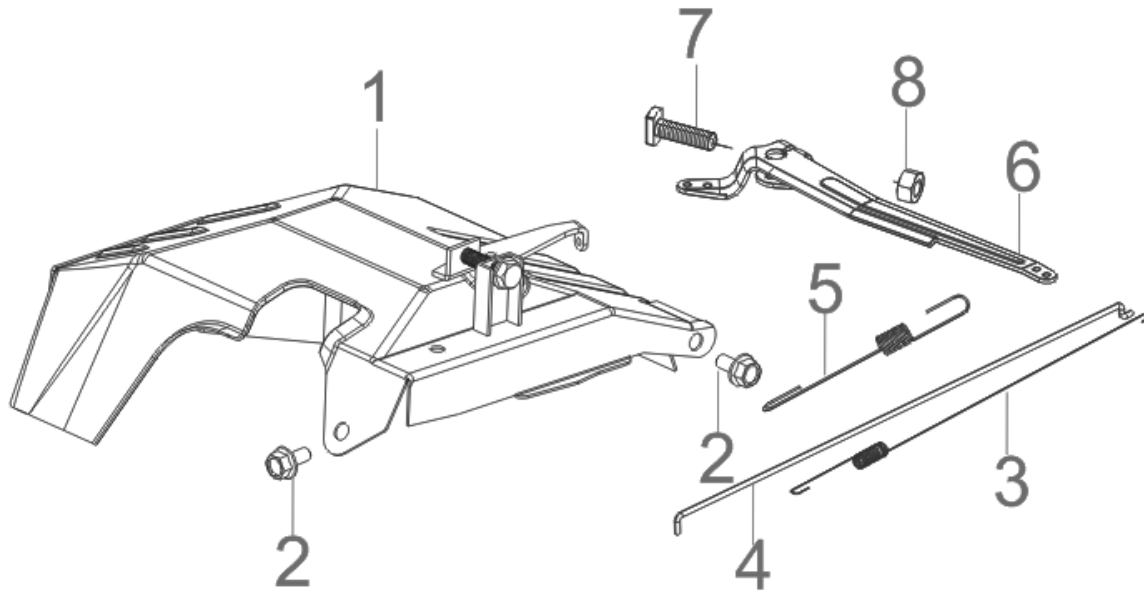
POS.	CODE	DESCRIPTION	QTY
1	A08707	CARBURETOR ASSEMBLY	1
2	A08561	AIR CLEANER SEAL GASKET	2
3	A08472	CARBURETOR SEAL GASKET	1
4	A08480	CARBURETOR INSULATOR PLATE	1
5	A08562	INLET GASKET	1
6	A08736	WIRE CLIP	2

E10



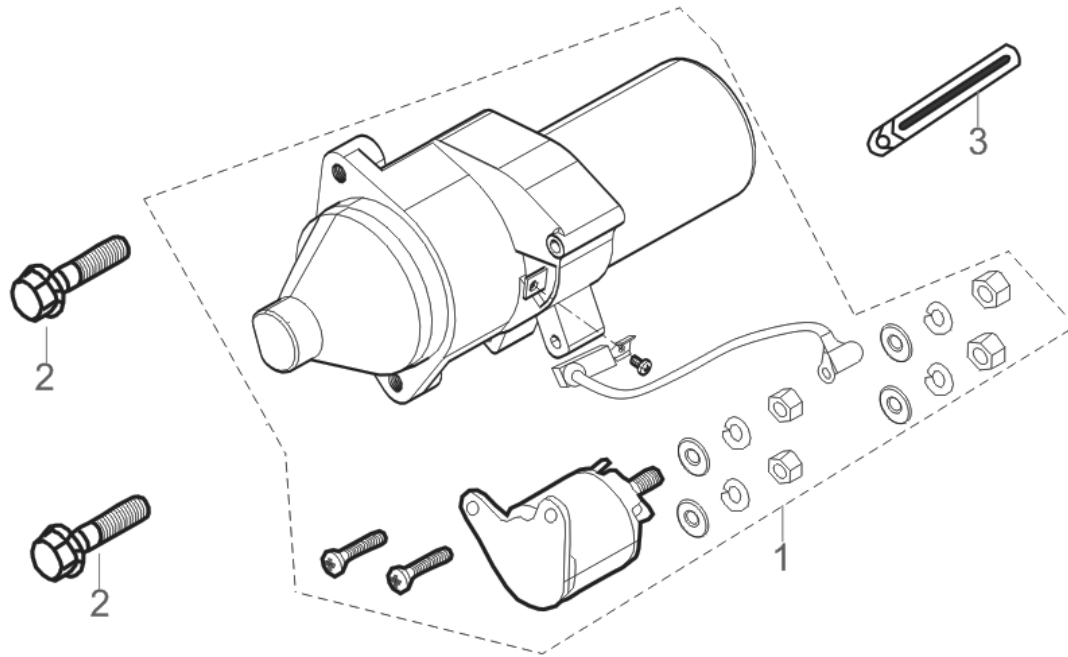
POS.	CODE	DESCRIPTION	QTY
1	A08431	FLYWHEEL NUT	1
2	A08564	STARTER PULLEY	1
3	A08708	IMPELLER	1
4	A08433	FLYWHEEL	1
5	A08937	HEXAGON SOCKET FLANGE FACE BOLT	2
6	A08566	IGNITION COIL	1
7	A08494	HEXAGON SOCKET FLANGE FACE BOLT	1
8	A08658	CHARGE COIL CLAMP	1
9	A08709	HEXAGON SOCKET FLANGE FACE BOLT	2
10	A08659	CHARGE COIL	1

E11



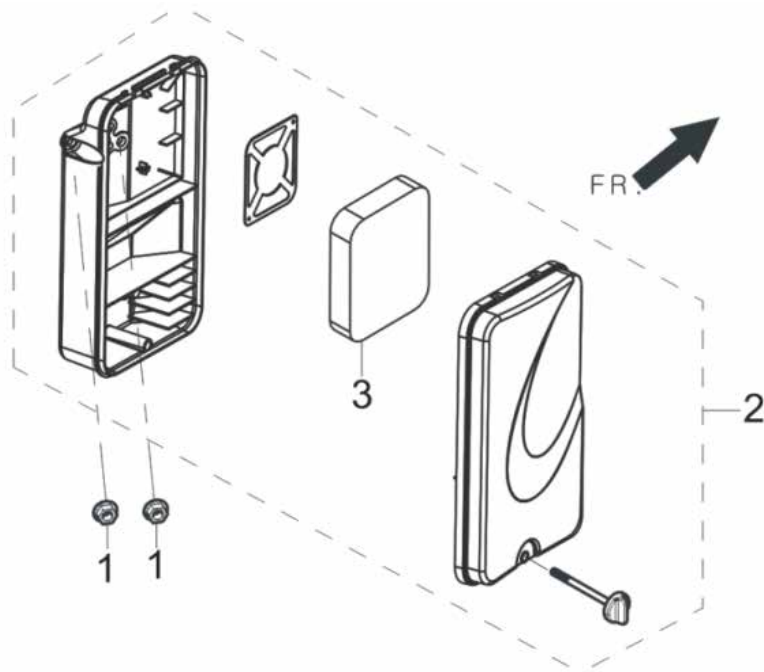
POS.	CODE	DESCRIPTION	QTY
1	A08710	THROTTLE CONTROL	1
2	A08968	HEXAGON SOCKET FLANGE FACE BOLT	2
3	A08568	THROTTLE VALVE RETURNING SPRING	1
4	A08569	GOVERNEOR ROD	1
5	A08711	GOVERNOR SPRING	1
6	A08571	GOVERNOR BRACKET	1
7	A08505	GOVERNOR SUPPORT BOLT	1
8	A08506	HEXAGON NUT WITH FLANGE	1

E12



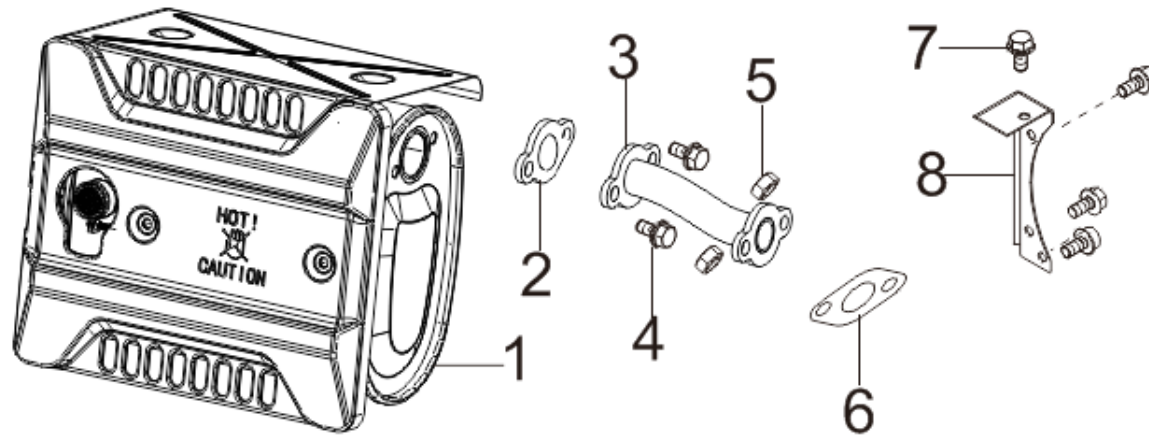
POS.	CODE	DESCRIPTION	QTY
1	A08327	STARTING MOTOR	1
2	A08600	HEXAGON SOCKET FLANGE FACE BOLT	2
3	A08924	WIRE CLIP	1

F01



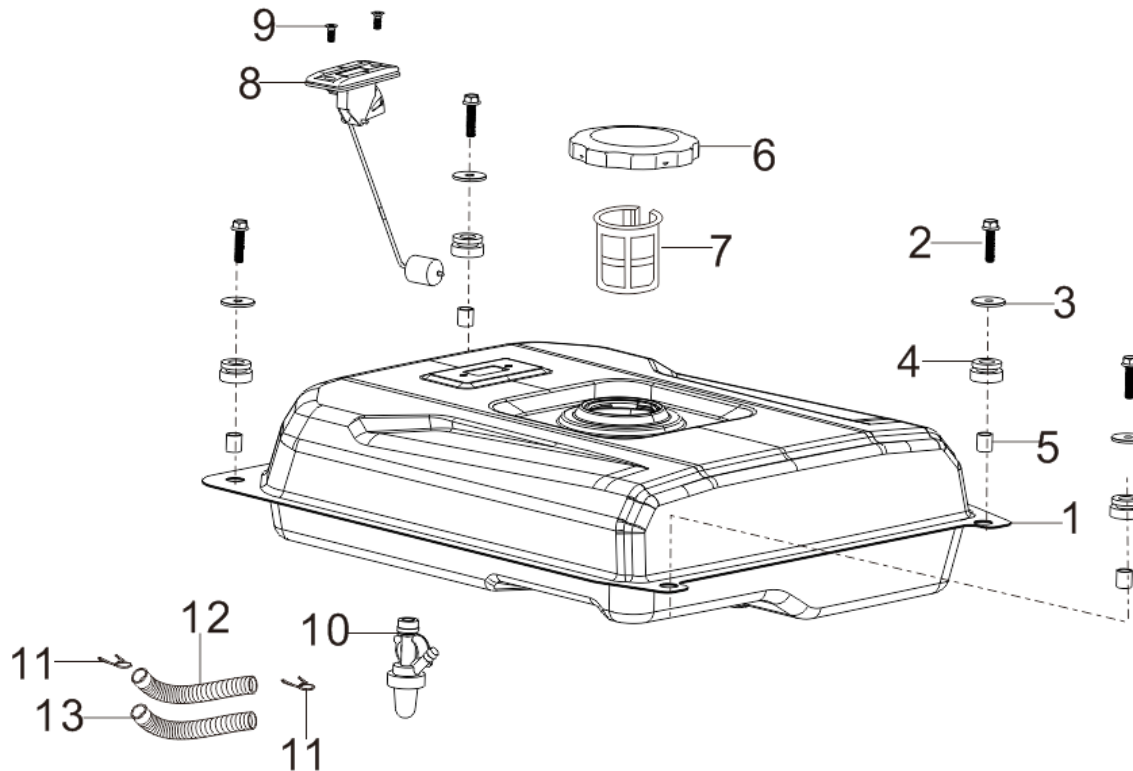
POS.	CODE	DESCRIPTION	QTY
1	A08506	HEXAGON NUT WITH FLANGE	2
2	A08572	AIR FILTER	1
3	A08573	AIR FILTER ELEMENT	1

F02



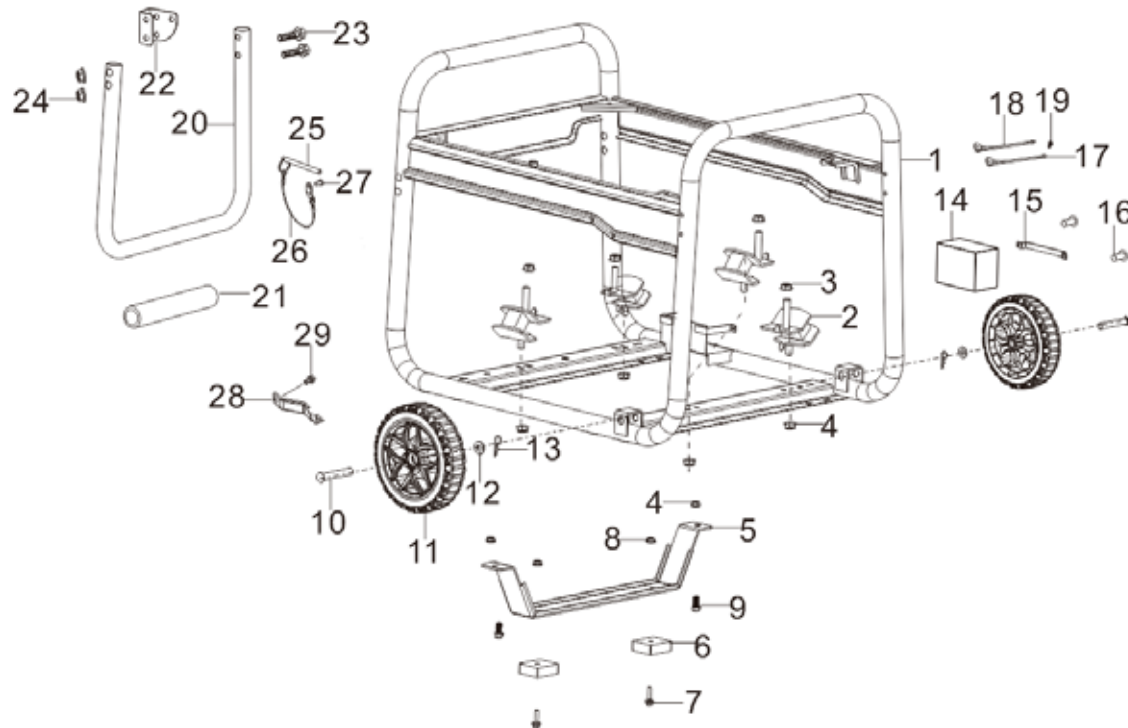
POS.	CODE	DESCRIPTION	QTY
1	A08660	MUFFLER ASSEMBLY	1
2	A08575	EXHAUST OUTLET GASKET	1
3	A08661	EXHAUST PIPE	1
4	A08662	BOLT	2
5	A08747	HEXAGON NUT	2
6	A08663	EXHAUST OUTLET GASKET	2
7	A08624	BOLT	4
8	A08664	MUFFLER BRACKET	1

F03



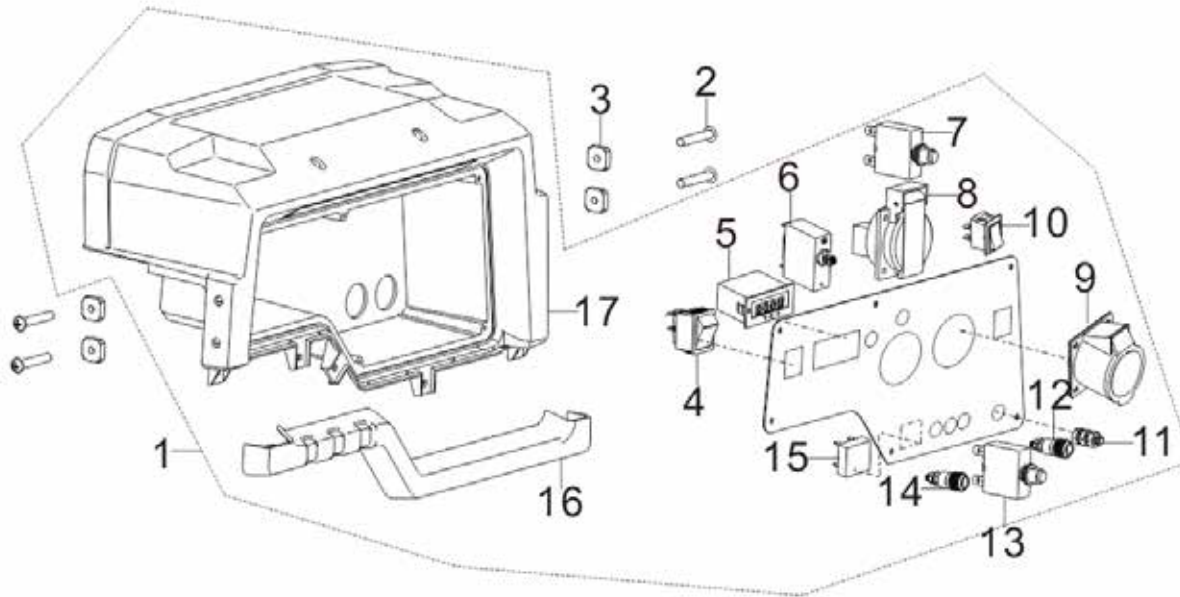
POS.	CODE	DESCRIPTION	QTY
1	A08665	FUEL TANK	1
2	A08639	HEXAGON SOCKET FLANGE FACE BOLT	4
3	A08515	FLAT WASHER	4
4	A08626	FUEL TANK RUBBER SLEEVE	4
5	A08749	BUSH	4
6	A08632	FUEL TANK COVER	1
7	A08633	FUEL STRAIN	1
8	A08630	OIL LEVELER	1
9	A08631	BOLT	2
10	A08628	FUEL COCK	1
11	A08816	COLLAR	2
12	A08750	FUEL TUBE	1
13	A08666	RUBBER JACKET	1

F04



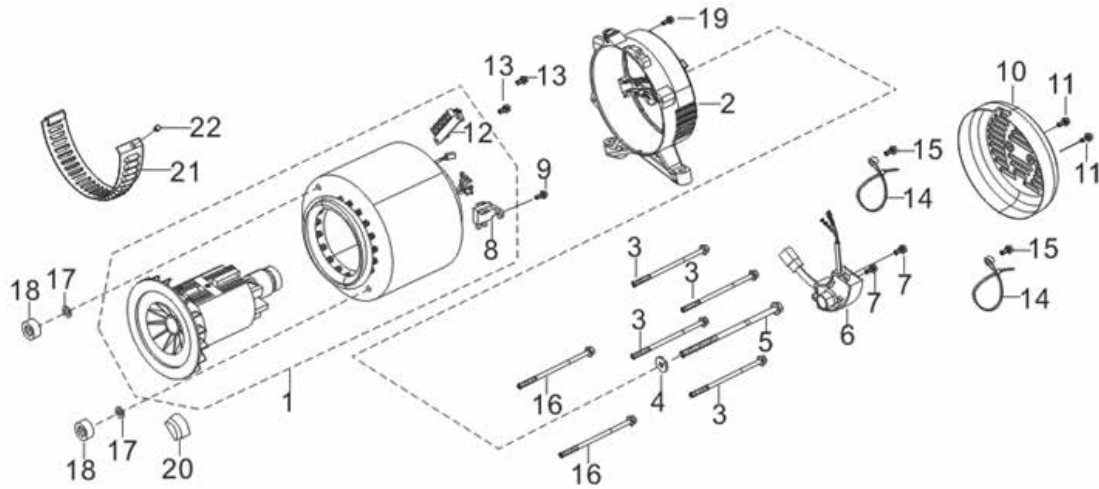
POS.	CODE	DESCRIPTION	QTY
1	A08712	ENGINE FRAME	1
2	A08668	ENGINE FRAME REAR CUSHION	4
3	A08751	HEXAGON LOCK NUT WITH FLANGE	4
4	A08520	HEXAGON LOCK NUT WITH FLANGE	6
5	A08669	ENGINE FRAME SHOCK ABSORPTION SUPPORT	1
6	A08670	ENGINE FRAME SHOCK ABSORPTION SEAT	2
7	A08671	HEXAGON SOCKET FLANGE FACE BOLT	2
8	A08506	HEXAGON LOCK NUT WITH FLANGE	2
9	A08624	HEXAGON SOCKET FLANGE FACE BOLT	2
10	A08672	FRONT WHEEL SHAFT	2
11	A08673	FRONT WHEEL	2
12	A08674	FLAT WASHER	2
13	A08675	COTTER PIN	2
14	A08676	BATTERY	1
15	A08677	BATTERY CLAMP	1
16	A08886	HEXAGON SOCKET FLANGE FACE BOLT	2
17	A08678	CATHODE WIRE	1
18	A08679	ANODE WIRE	1
19	A08646	HEXAGON SOCKET FLANGE FACE BOLT	1
20	A08680	HANDLE TUBE	1
21	A08681	HANDLE RUBBER SLEEVE	1
22	A08682	HANDLE TUBE CONNECTING SEAT	1
23	A08683	HEXAGON SOCKET FLANGE FACE BOLT	2
24	A08684	NUT	2
25	A08685	PIN SHAFT	1
26	A08686	SLING	1
27	A08687	HEXAGONAL HEAD BOLT	1
28	A08688	AIR CLEANER SUPPORT	1
29	A08968	HEXAGON SOCKET FLANGE FACE BOLT	1

F05



POS.	CODE	DESCRIPTION	QTY
1	A08713	CONTROL PANEL	1
2	A08690	BOLT	4
3	A08969	SQUARE NUT	4
4	A08606	SWITCH	1
5	A08642	VOLTMETER	1
6	A08714	SINGLE-POLE CIRCUIT BREAKER	1
7	A08584	OVERCURRENT PROTECTOR	1
8	A08529	POWER SUPPLY SOCKET	1
9	A08585	POWER SUPPLY SOCKET	1
10	A08691	SWITCH	1
11	A08531	GROUNDING TERMINAL	1
12	A08755	NEGATIVE BINDING POST	1
13	A08828	OVERCURRENT PROTECTOR	1
14	A08756	POSITIVE BINDING POST	1
15	A08528	RECTIFICATION BRIDGE	1
16	A08692	FRONT PANEL DECORATED PLATE	1
17	A08693	PANEL SEAT	1

F06



POS.	CODE	DESCRIPTION	QTY
1	A08717	ALTENATOR ASS.	1
2	A08695	ALTENATOR SUPPORT	1
3	A08718	STATOR BOLT	4
4	A08759	FLAT WASHER	1
5	A08719	ROTOR BOLT	1
6	A08720	VOLTAGE REGULATOR	1
7	A08930	HEXAGON SOCKET FLANGE FACE BOLT	2
8	A08592	CARBON BRUSH	1
9	A08930	HEXAGON SOCKET FLANGE FACE BOLT	1
10	A08697	MOTOR TAIL COVER	1
11	A08536	HEXAGON SOCKET FLANGE FACE BOLT	2
12	A08652	TERMINAL BLOCK	1
13	A08930	BOLT	2
14	A08594	BAND	2
15	A08930	BOLT	2
16	A08721	STATOR BOLT	2
17	A08699	STANDARD SPRING WASHER	2
18	A08722	NUT	2
19	A08930	HEXAGON SOCKET FLANGE FACE BOLT	1
20	A08701	ALTENATOR RIGHT COVER STOPPER	1
21	A08702	ALTENATOR SHROUD	1
22	A08868	HEXAGON SOCKET FLANGE FACE BOLT	1