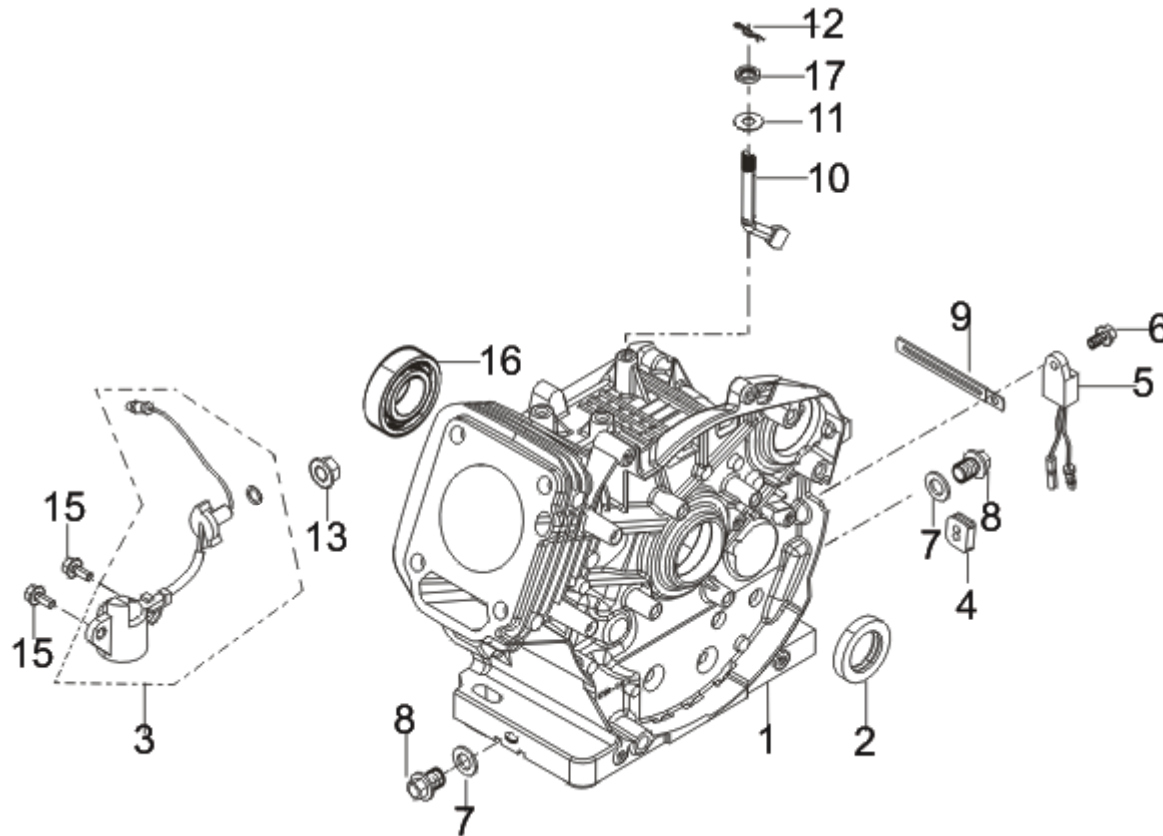
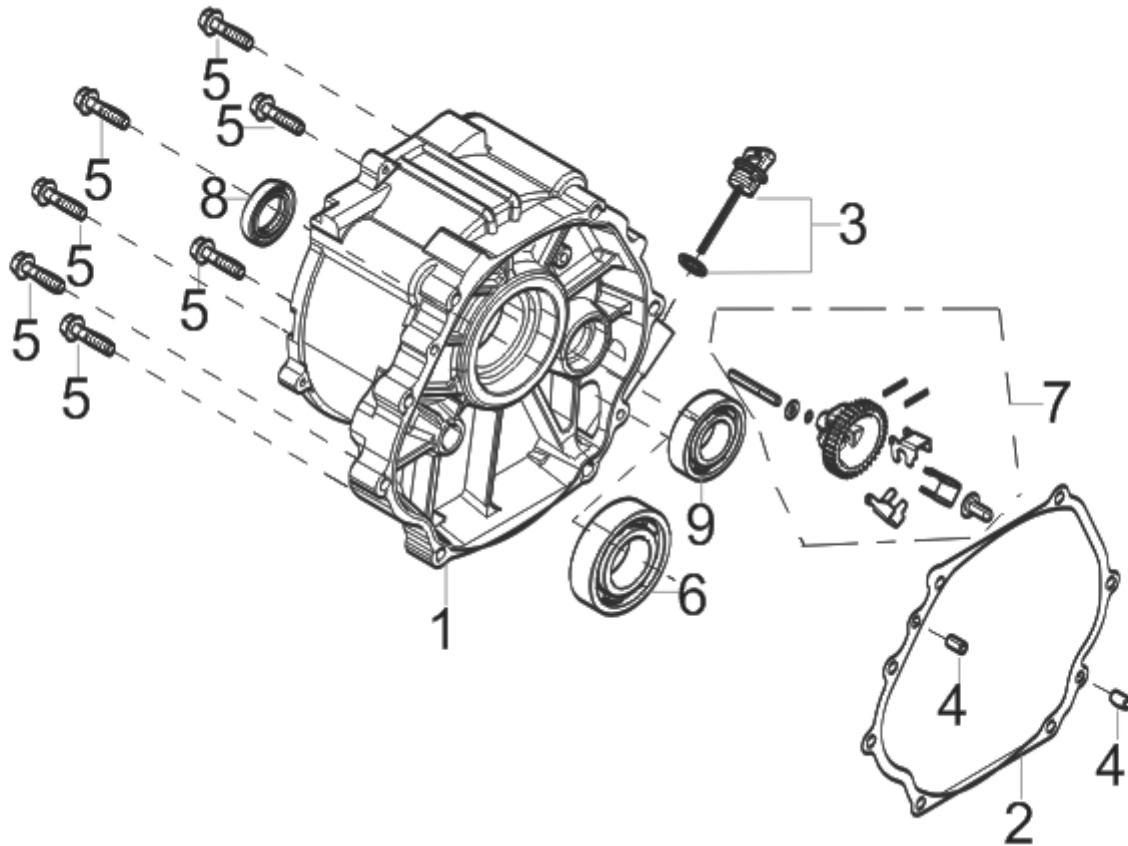


E01



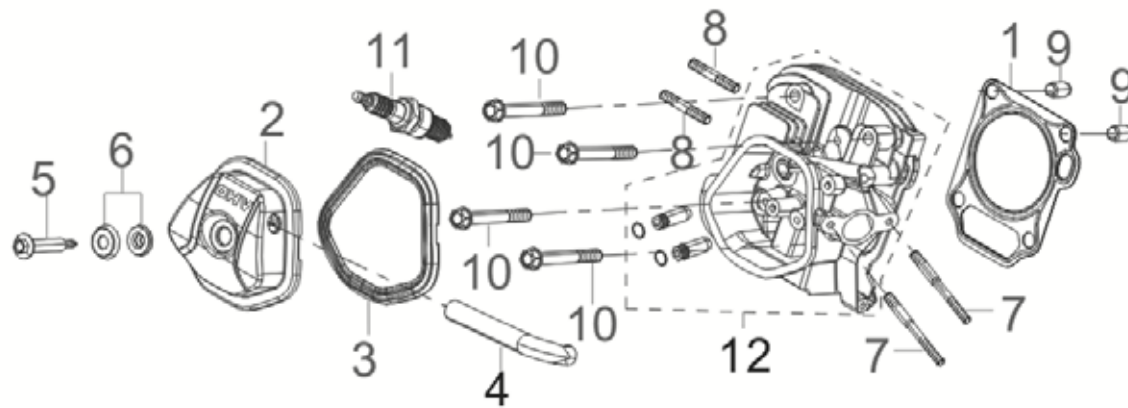
POS.	CODE	DESCRIPTION	QTY
1	A08323	CRANKCASE	1
2	A08704	OIL SEAL	1
3	A08544	ENGINE OIL SENSOR	1
4	A08545	RUBBER PLUG	1
5	A08493	OIL PROTECTOR	1
6	A08968	BOLT	1
7	A08546	FLAT WASHER	2
8	A09104	DRAIN PLUG BOLT	2
9	A08924	WIRE CLIP	1
10	A08547	REGULATOR ARM	1
11	A08548	FLAT WASHER	1
12	A08951	COTTER PIN	1
13	A08485	HEXAGON NUT WITH FLANGE	1
15	A08496	BOLT	2
16	A08549	BALL BEARING	1
17	A08726	OIL SEAL	1

E02



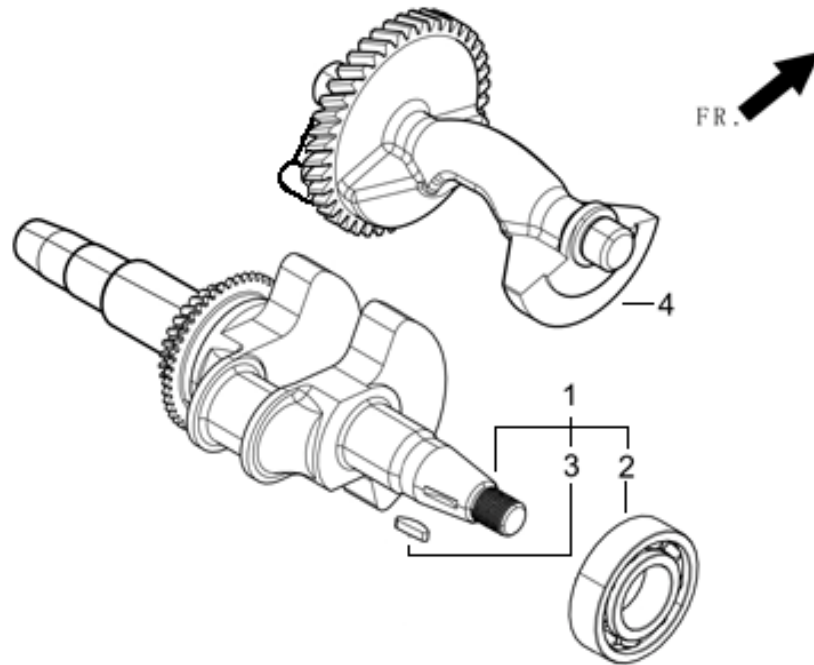
POS.	CODE	DESCRIPTION	QTY
1	A08304	CRANKCASE COVER	1
2	A08305	CRANKCASE GASKET	1
3	A08471	OIL DIPSTICK	1
4	A08550	POSITION PIN	2
5	A08551	BOLT	7
6	A08552	BALL BEARING	1
7	A08730	GEAR ASSASSEMBLY	1
8	A08704	OIL SEAL	1
9	A08549	BALL BEARING	1

E03



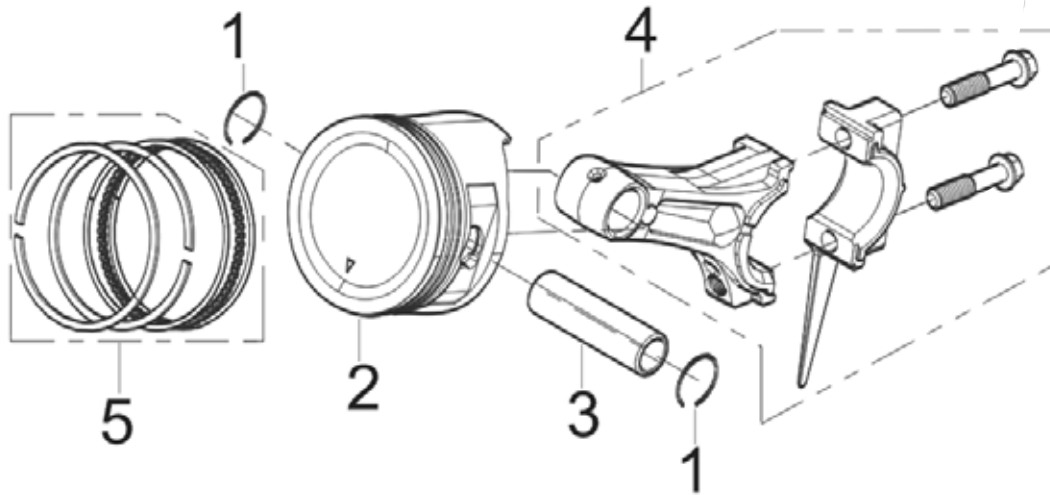
POS.	CODE	DESCRIPTION	QTY
1	A08306	CYLINDER HEAD GASKET	1
2	A08307	CYLINDER HEAD COVER	1
3	A08308	CYLINDER HEAD COVER GASKET	1
4	A08554	BREATHER TUBE	1
5	A08309	CYLINDER HEAD COVER BOLT	1
6	A08310	CYLINDER HEAD COVER BOLT GASKET	1
7	A08555	STUD BOLT	2
8	A08489	STUD BOLT	2
9	A08557	POSITION PIN	2
10	A08311	CYLINDER HEAD BOLT	4
11	A08940	SPARK PLUG	1
12	A08312	CYLINDER HEAD	1

E04



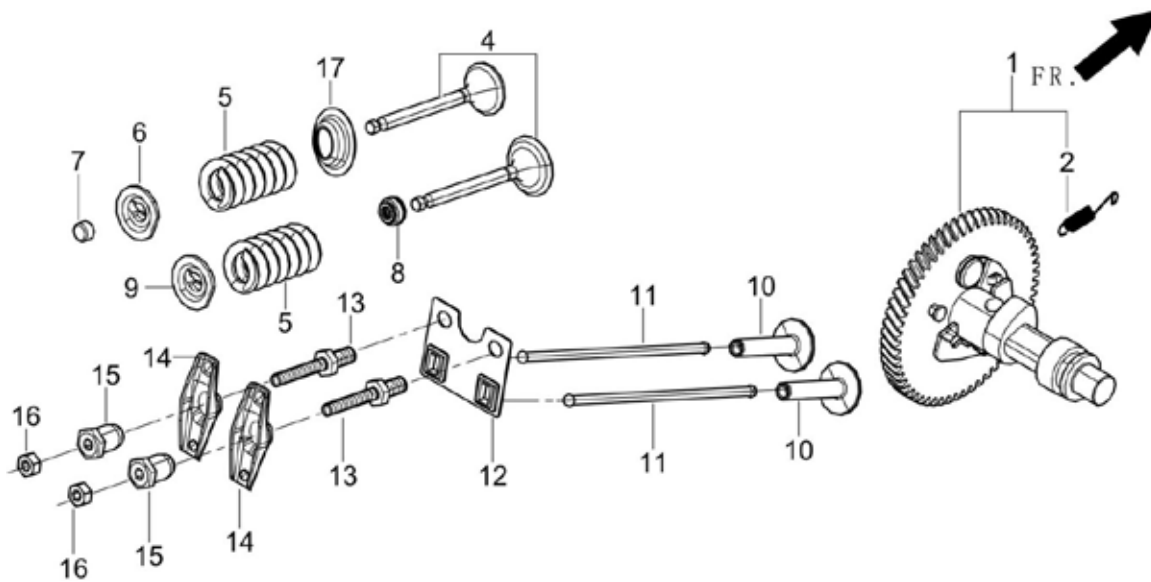
POS.	CODE	DESCRIPTION	QTY
1	A08421	CRANKSHAFT ASSEMBLY	1
3	A09916	KEY	1
4	A08422	BALANCING SHAFT	1

E05



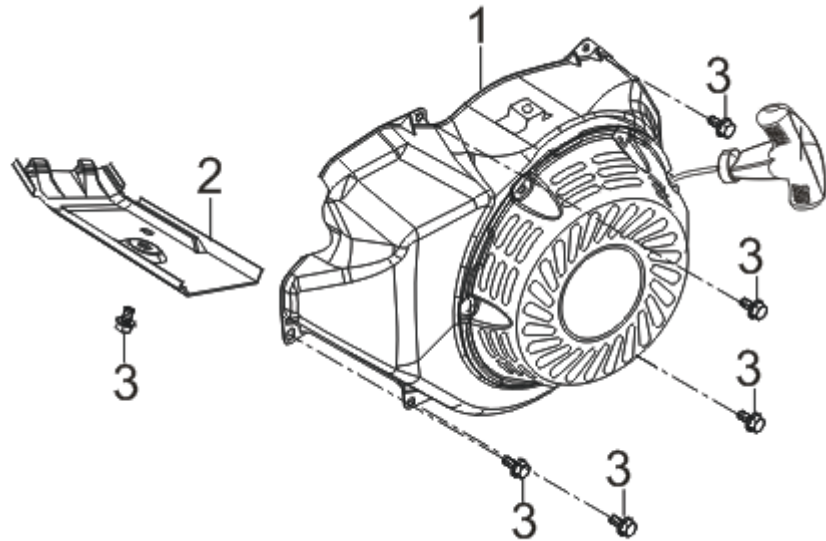
POS.	CODE	DESCRIPTION	QTY
1	A08410	PISTON PIN CLIP	2
2	A08313	PISTON	1
3	A08314	PISTON PIN	1
4	A08315	CONNECTING ROD	1
5	A08411	PISTON RING ASSEMBLY	1

E06



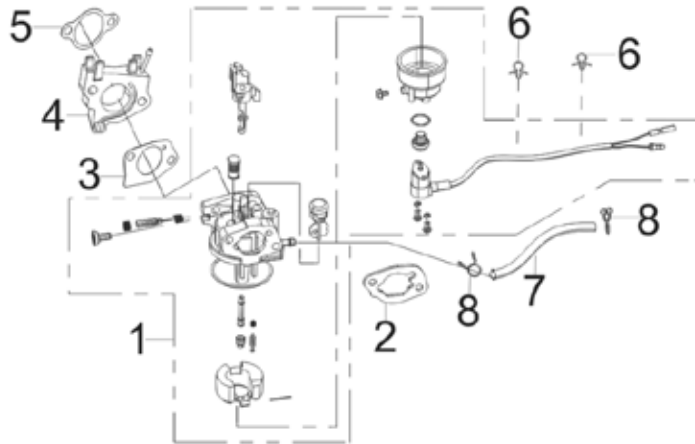
POS.	CODE	DESCRIPTION	QTY
1	A08443	CAMSHAFT	1
4	A08316	VALVES	1
5	A08317	VALVE SPRING	2
6	A08318	EXHAUST VALVE RETAINER	1
7	A08319	VALVE ROTATOR	1
8	A08320	SEAL GUIDE	1
9	A08321	VALVE SPRING RETAINER	1
10	A08444	VALVE TAPPET	2
11	A08430	VALVE LIFTER	2
12	A08972	LIFTER STOPPER PLATE	1
13	A08459	ROCKSHAFT BOLT	2
14	A08463	VALVE ROCKER	2
15	A08461	VALVE ADJUSTING NUT	2
16	A08462	VALVE LOCK NUT	2
17	A08322	VALVE SPRING SEAT	1

E07



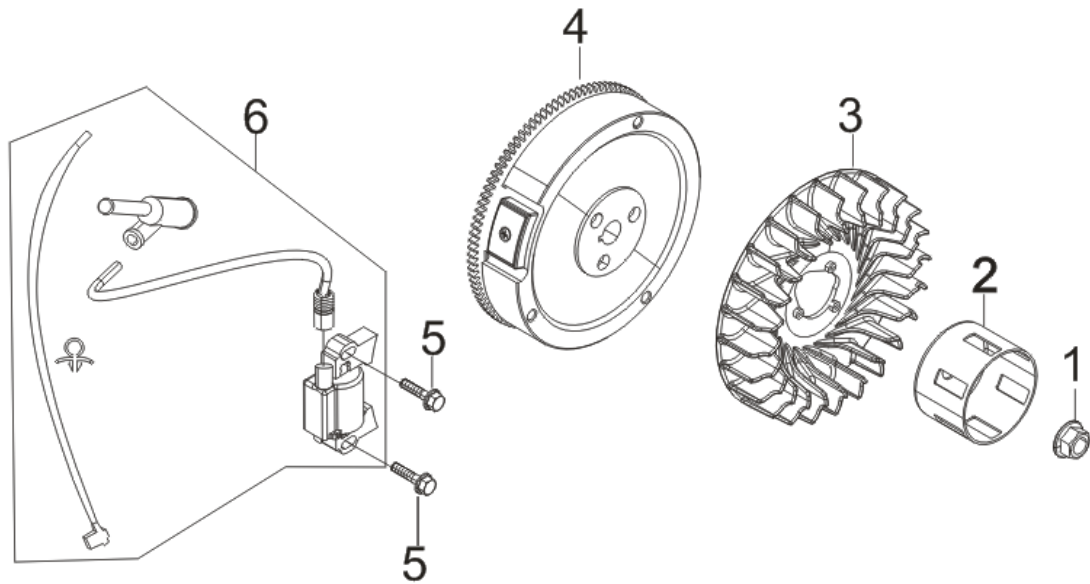
POS.	CODE	DESCRIPTION	QTY
1	A08558	MANUAL STARTING ASSEMBLY	1
2	A08559	CYLINDER BODY SHROUD	1
3	A08968	BOLT	5

E09



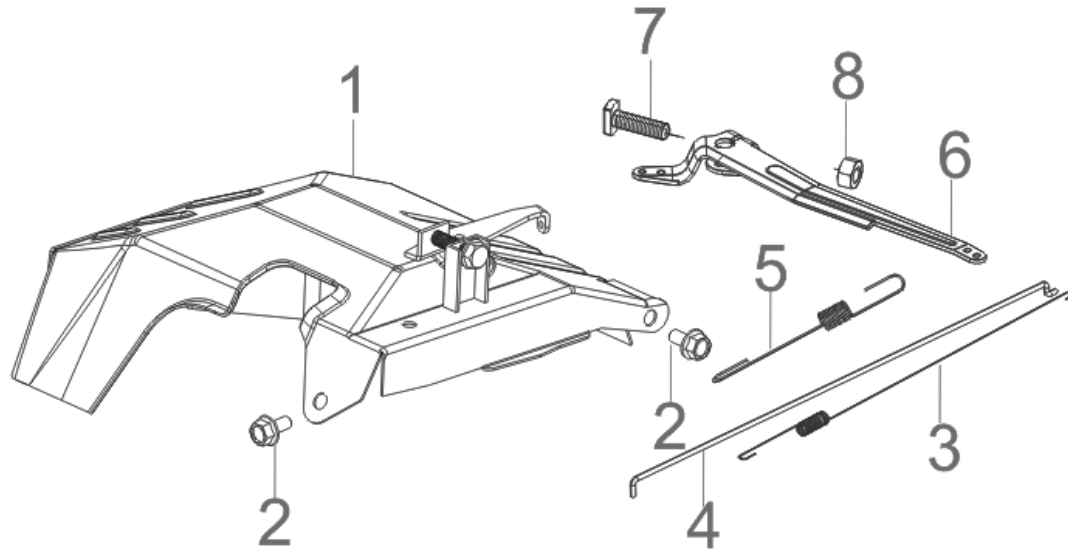
POS.	CODE	DESCRIPTION	QTY
1	A08560	CARBURETOR	1
2	A08561	AIR CLEANER SEAL GASKET	2
3	A08472	CARBURETOR SEAL GASKET	1
4	A08480	CARBURETOR INSULATOR PLATE	1
5	A08562	INLET GASKET	1
6	A08736	WIRE CLIP	2
7	A08563	FUEL TUBE	1
8	A08816	COLLAR	2

E10



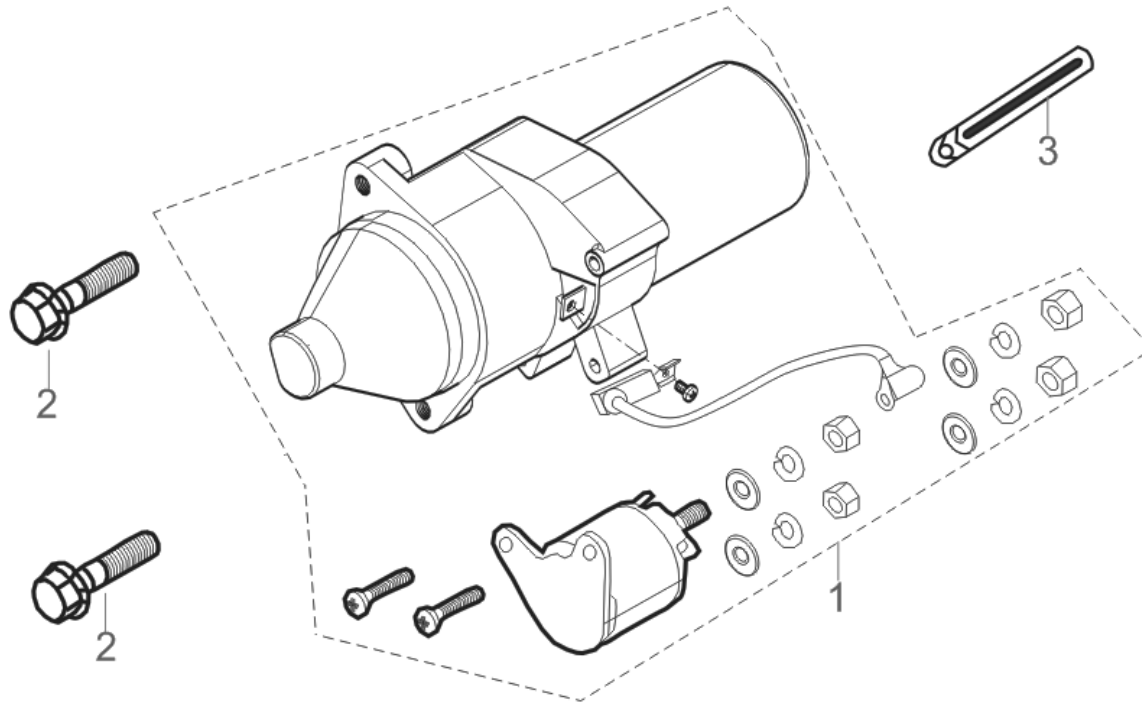
POS.	CODE	DESCRIPTION	QTY
1	A08431	FLYWHEEL NUT	1
2	A08564	STARTER PULLEY	1
3	A08565	IMPELLER	1
4	A08433	FLYWHEEL	1
5	A08937	HEXAGON SOCKET FLANGE FACE BOLT	2
6	A08566	IGNITION COIL	1

E11



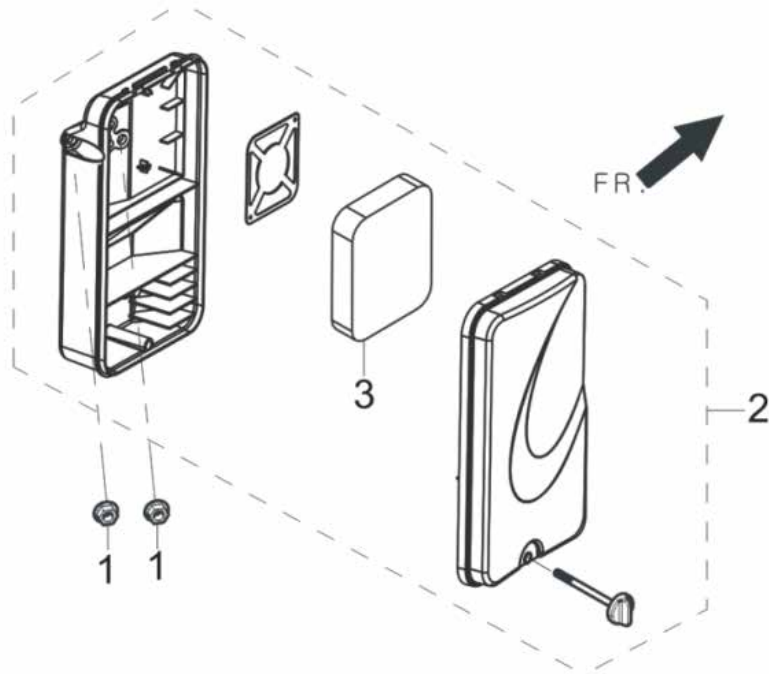
POS.	CODE	DESCRIPTION	QTY
1	A08567	THROTTLE CONTROL	1
2	A08968	HEXAGON SOCKET FLANGE FACE BOLT	2
3	A08568	THROTTLE VALVE RETURNING SPRING	1
4	A08569	GOVERNEOR ROD	1
5	A08570	GOVERNOR SPRING	1
6	A08571	GOVERNOR BRACKET	1
7	A08505	GOVERNOR SUPPORT BOLT	1
8	A08506	HEXAGON NUT WITH FLANGE	1

E12



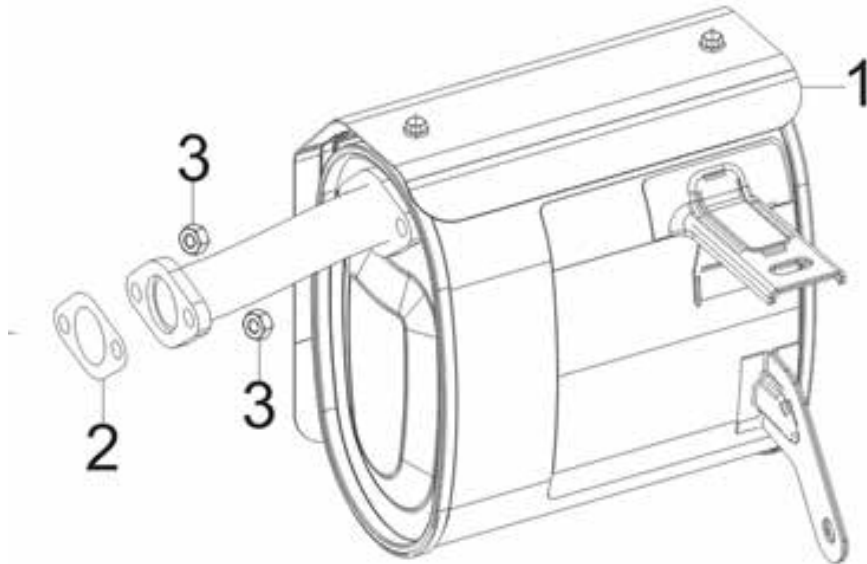
POS.	CODE	DESCRIPTION	QTY
1	A08324	STARTING MOTOR	1
2	A08600	HEXAGON SOCKET FLANGE FACE BOLT	2
3	A08924	WIRE CLIP	1

F01



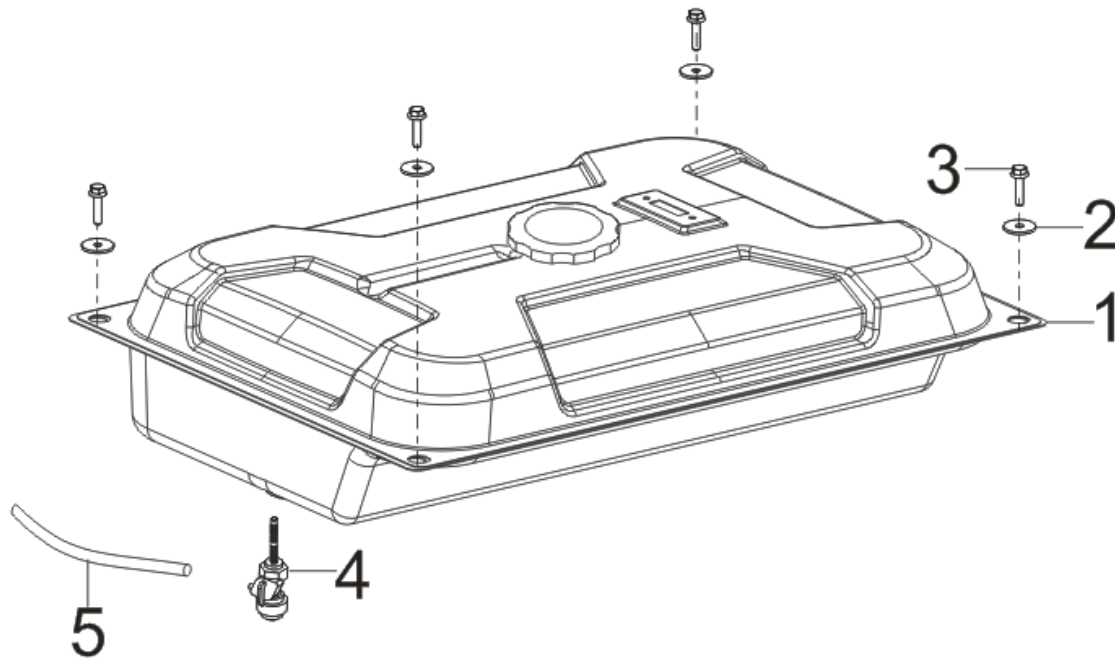
POS.	CODE	DESCRIPTION	QTY
1	A08506	HEXAGON NUT WITH FLANGE	2
2	A08572	AIR FILTER	1
3	A08573	AIR FILTER ELEMENT	1

F02



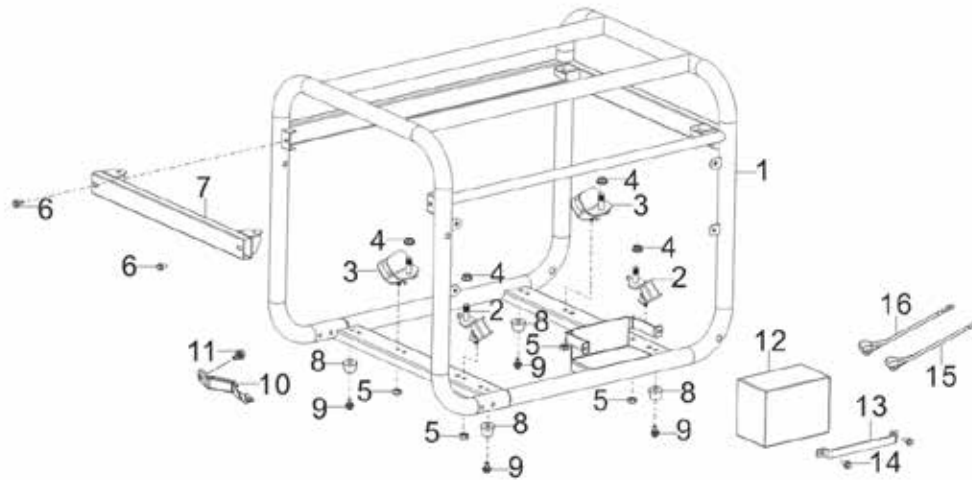
POS.	CODE	DESCRIPTION	QTY
F02-1	A08574	MUFFLER	1
F02-2	A08575	EXHAUST OUTLET GASKET	1
F02-3	A08747	HEXAGON NUT	2

F03



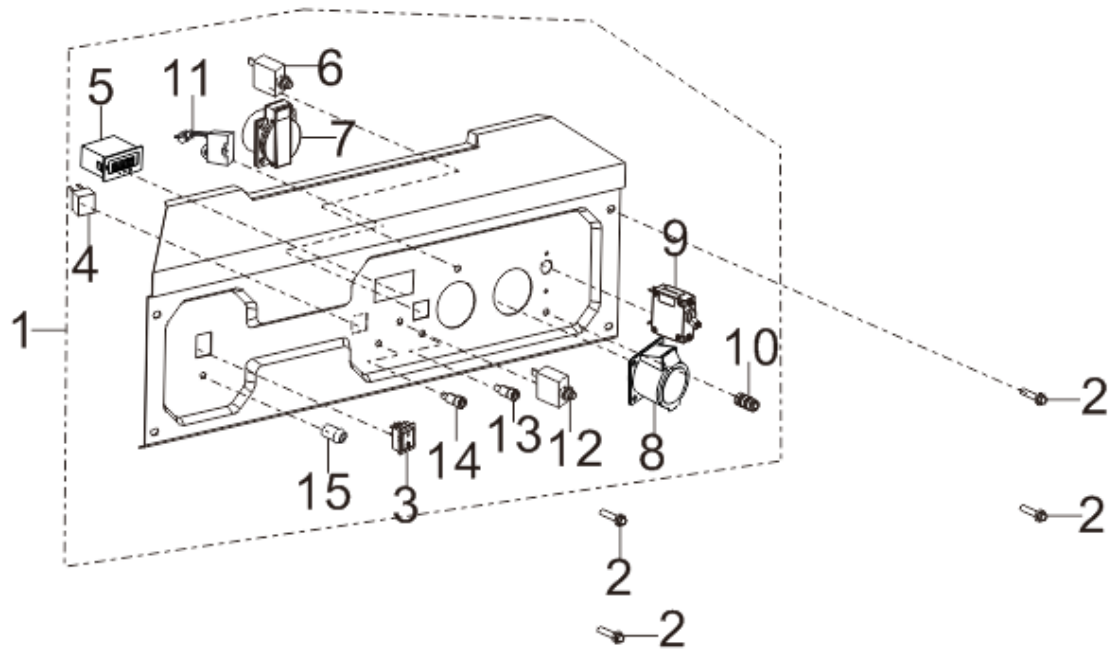
POS.	CODE	DESCRIPTION	QTY
1	A08576	FUEL TANK	1
2	A08515	FLAT WASHER	4
3	A08502	BOLT	4
4	A08577	FUEL COCK	1
5	A08518	RUBBER JACKET	1

F04



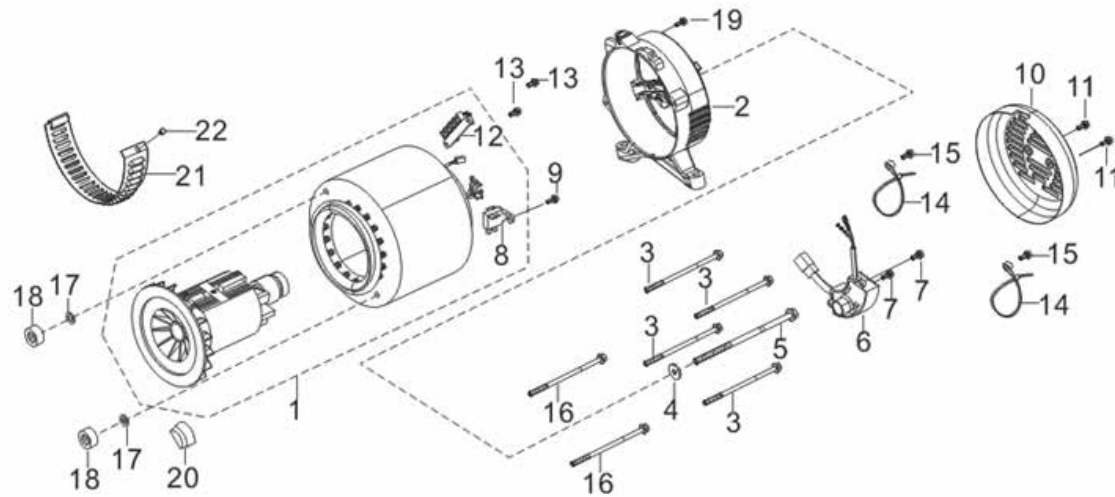
POS.	CODE	DESCRIPTION	QTY
1	A08578	FRAME	1
2	A08579	FRAME CUSHION	2
3	A08580	FRAME REAR CUSHION,	2
4	A08751	HEXAGON NUT WITH FLANGE	4
5	A08520	HEXAGON NUT WITH FLANGE	4
6	A08968	BOLT	2
7	A08581	CROSSPIECE	1
8	A08521	FRAME SHOCK ABSORPTION SEAT	4
9	A08968	BOLT	4
10	A08582	AIR CLEANER SUPPORT	1
11	A08968	BOLT	1
12	A08601	BATTERY	1
13	A08602	BATTERY CLAMP	1
14	A08496	BOLT	2
15	A08603	ANODE WIRE	1
16	A08604	CATHODE WIRE	1

F05



POS.	CODE	DESCRIPTION	QTY
1	A08605	CONTROL PANEL ASSEMBLY	1
2	A08968	BOLT	4
3	A08606	SWITCH	1
4	A08528	RECTIFICATION BRIDGE	1
5	A08527	TIMER	1
6	A08584	OVERCURRENT PROTECTOR	1
7	A08529	POWER SUPPLY SOCKET	1
8	A08585	POWER SUPPLY SOCKET	1
9	A08586	SINGLE-POLE CIRCUIT BREAKER	1
10	A08531	GROUNDING TERMINAL	1
11	A08607	CHARGER MODULE	1
12	A08828	OVERCURRENT PROTECTOR	1
13	A08755	NEGATIVE ELECTRODE TERMINAL	1
14	A08756	POSITIVE ELECTRODE TERMINAL	1
15	A08532	OIL ALARM INDICATOR	1

F06



POS.	CODE	DESCRIPTION	QTY
1	A08587	ALTERNATOR ASSEMBLY	1
2	A08588	ALTERNATOR SUPPORT	1
3	A08589	STATOR BOLT	4
4	A08759	FLAT WASHER	1
5	A08590	ROTOR BOLT	1
6	A08591	VOLTAGE REGULATOR	1
7	A08930	HEXAGON SOCKET FLANGE FACE BOLT	2
8	A08592	CARBON BRUSH	1
9	A08930	HEXAGON SOCKET FLANGE FACE BOLT	1
10	A08593	MOTOR TAIL COVER	1
11	A08536	HEXAGON SOCKET FLANGE FACE BOLT	2
12	A08652	TERMINAL BLOCK	1
13	A08930	BOLT	2
14	A08594	BAND	2
15	A08930	BOLT	2
16	A08595	STATOR BOLT	2
17	A08596	SPRING WASHER	2
18	A08597	NUT	2
19	A08930	HEXAGON SOCKET FLANGE FACE BOLT	1
20	A08598	ALTERNATOR RIGHT COVER STOPPER	1
21	A08599	ALTERNATOR SHROUD	1
22	A08868	HEXAGON SOCKET FLANGE FACE BOLT	1