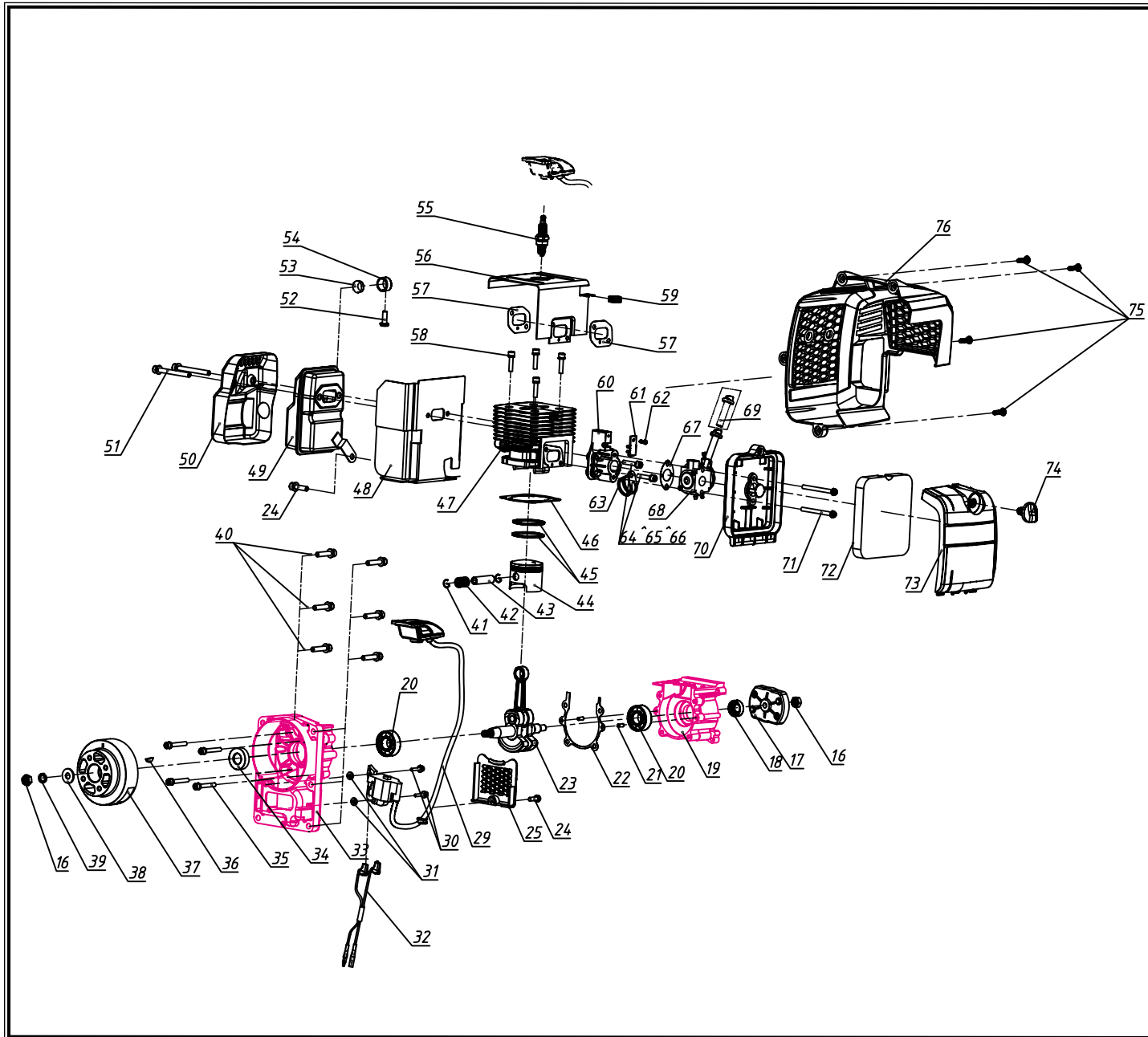
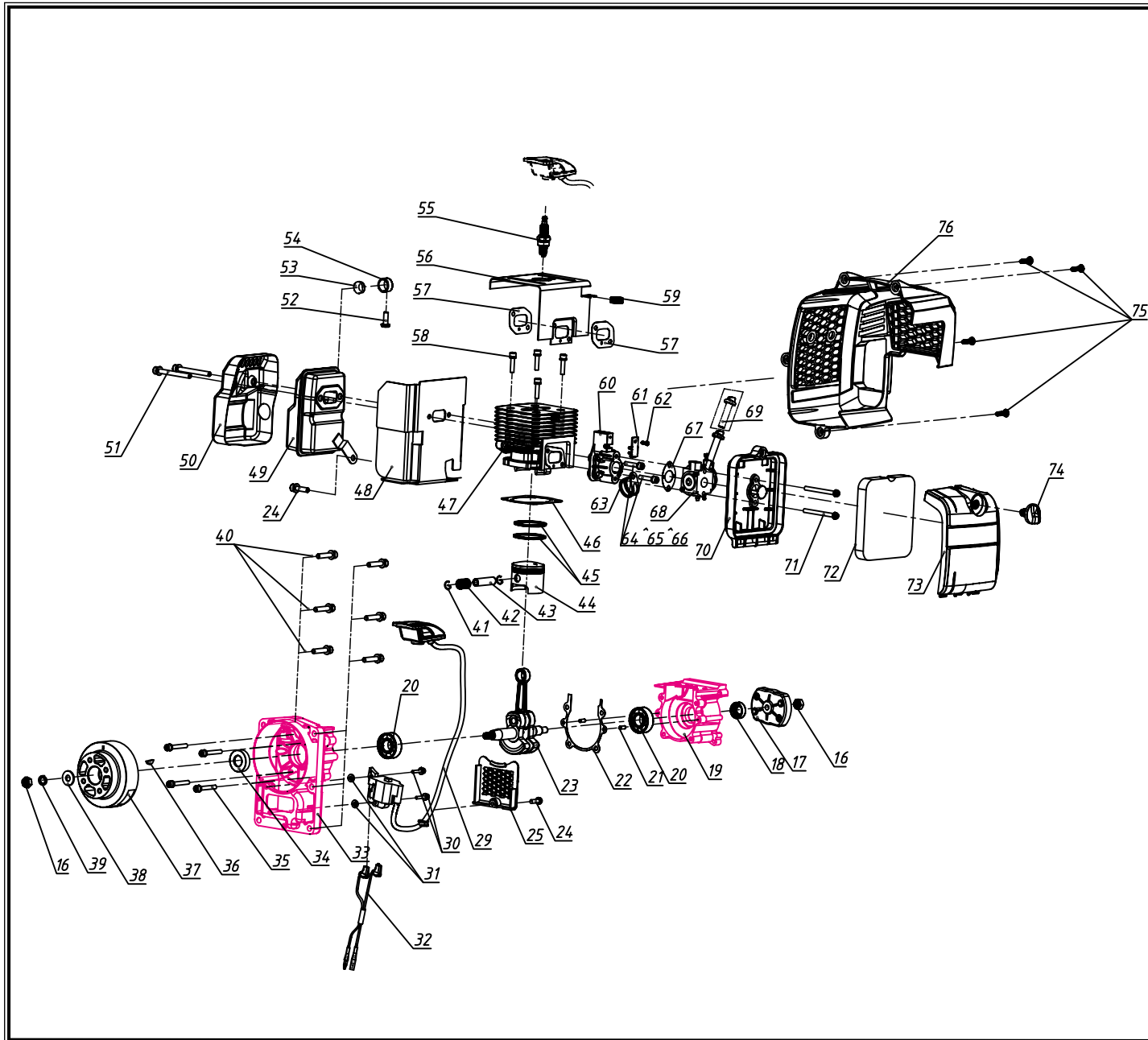


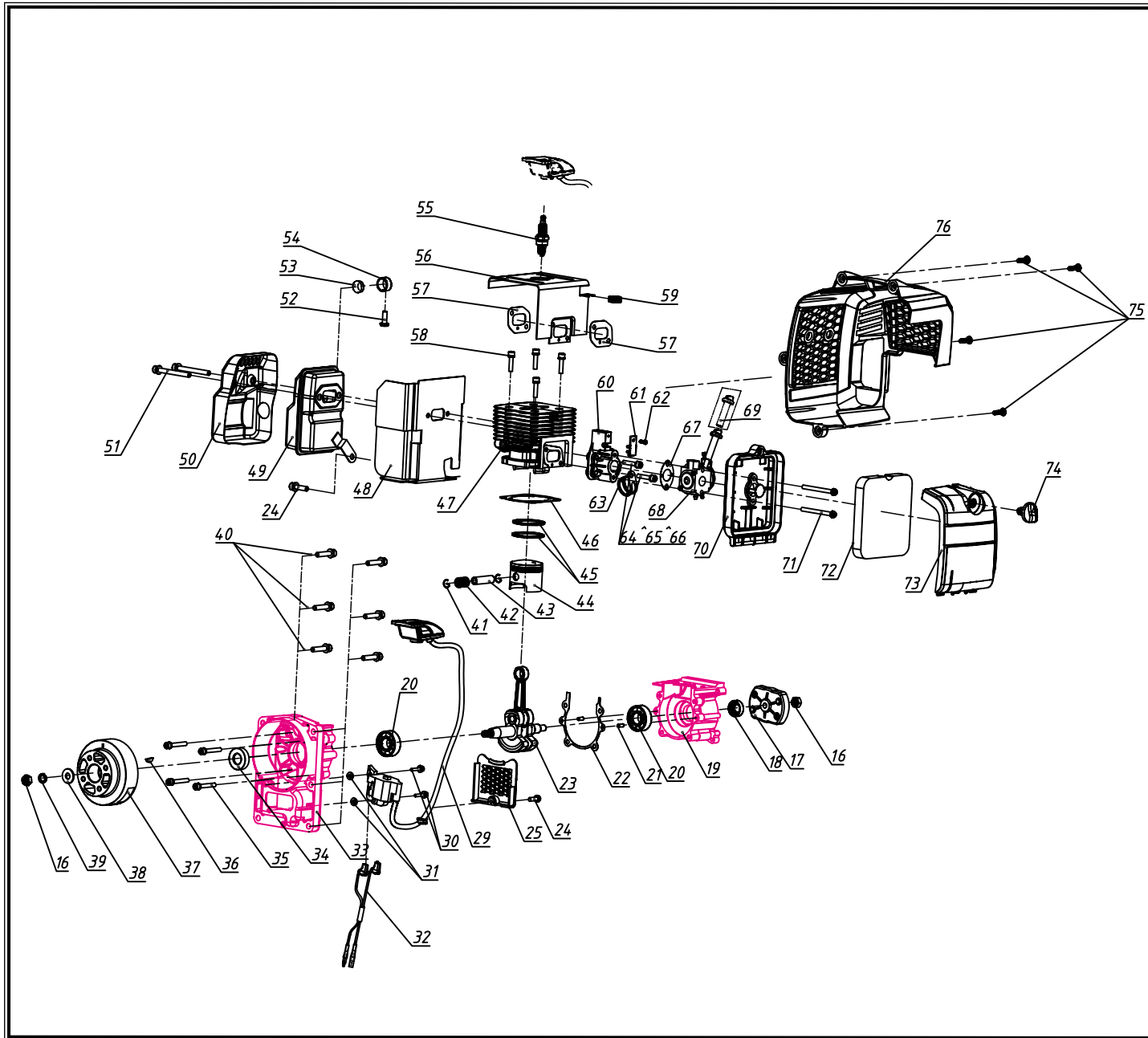
| POS. | CODE   | DESCRIPTION            | QTY |
|------|--------|------------------------|-----|
| 1    | A06448 | START GRIP (BLACK)     | 1   |
| 2    | A06016 | EYELET                 | 1   |
| 3    | A05983 | SCREW M5X20            | 4   |
| 4    | A06045 | START HOUSING          | 1   |
| 5    | A06040 | START ROPE             | 1   |
| 6    | A06042 | COIL SPRING            | 1   |
| 7    | A06041 | START PULLEY           | 1   |
| 8    | A06043 | START TORSIONAL SPRING | 1   |
| 9    | A06044 | START THE RATCHET      | 1   |
| 10   | A06003 | PLATE WASHER           | 1   |
| 11   | A05981 | SCREW 5X14             | 1   |



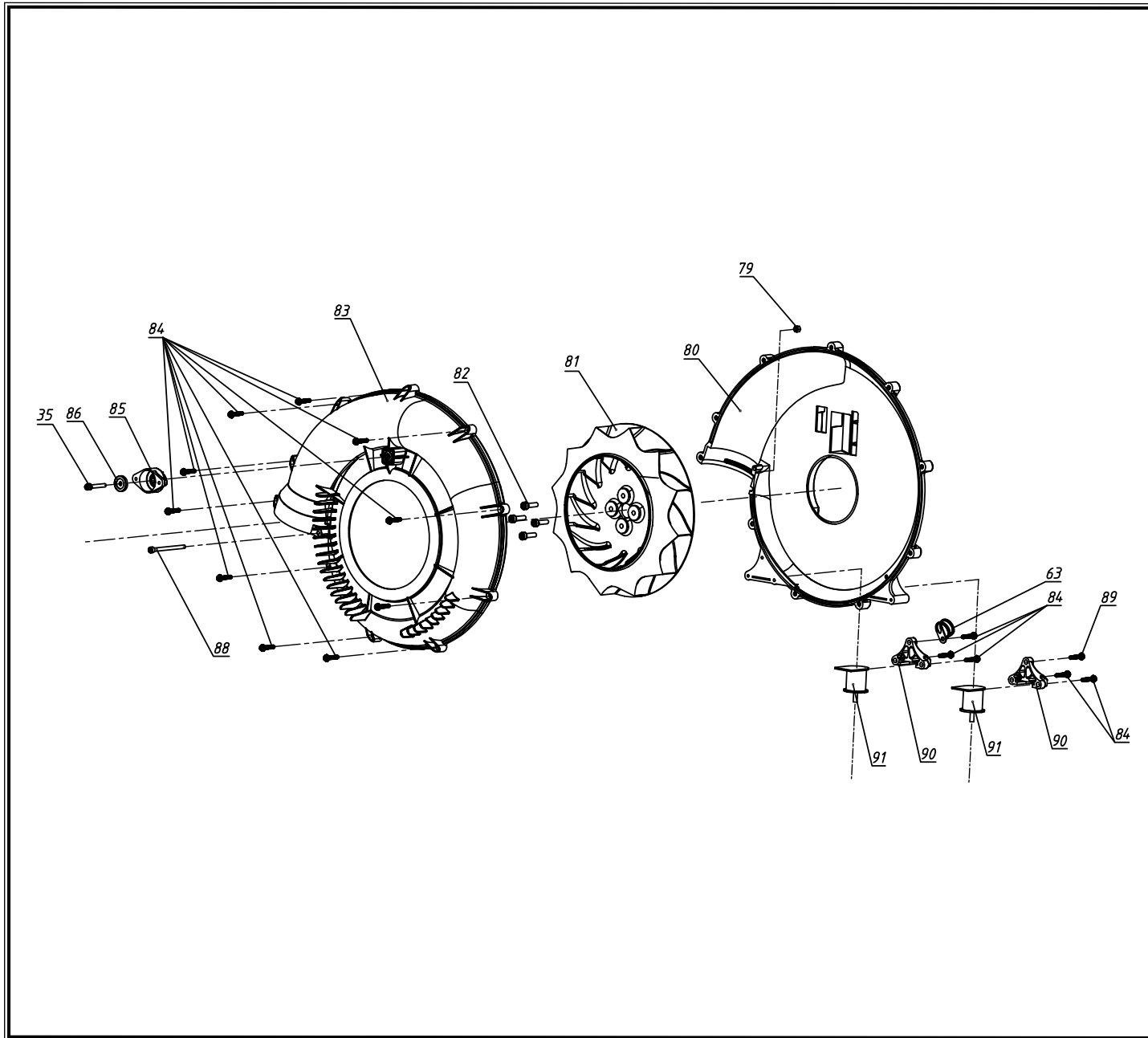
| POS.  | CODE   | DESCRIPTION          | QTY |
|-------|--------|----------------------|-----|
| 16    | A05999 | NUT M8               | 1   |
| 17    | A06031 | START DIAL UNIT      | 1   |
| 18    | A06019 | OIL SEAL 12X22X7     | 1   |
| 19+33 | A06139 | CRANKCASE ASSEMBLY   | 1   |
| 20    | A06275 | BALL BEARING 6202 P6 | 2   |
| 21    | A06274 | PIN 5×10             | 2   |
| 22    | A06137 | CRANK CASE GASKET    | 1   |
| 23    | A06141 | CRANK SHAFT ASSEMBLY | 1   |
| 24    | A05988 | SCREW M5X12          | 1   |
| 25    | A06134 | IGNITER COVER        | 1   |
| 29    | A06147 | IGNITION COIL        | 1   |
| 30    | A05987 | SCREW M4X20          | 2   |
| 31    | A06055 | HEAT PAD             | 2   |
| 32    | A06148 | SHORT OFF LINE SET   | 1   |
| 34    | A06032 | OIL SEAL 15X30X7     | 1   |
| 35    | A05990 | SCREW M5X35          | 4   |
| 36    | A06273 | KEY 3×5×13           | 1   |
| 37    | A06149 | MAGNETO ROTOR        | 1   |
| 38    | A06007 | PLATE WASHER         | 1   |
| 39    | A06006 | SPRING WASHER        | 1   |
| 16    | A05999 | NUT M8               | 1   |
| 40    | A05968 | SCREW M6X30          | 6   |
| 41    | A06020 | PISTON PIN JUMP RING | 2   |
| 42    | A06010 | BEARING              | 1   |
| 43    | A06047 | PISTON PIN           | 1   |
| 44    | A06142 | PISTON               | 1   |
| 45    | A06046 | PISTON RING          | 2   |



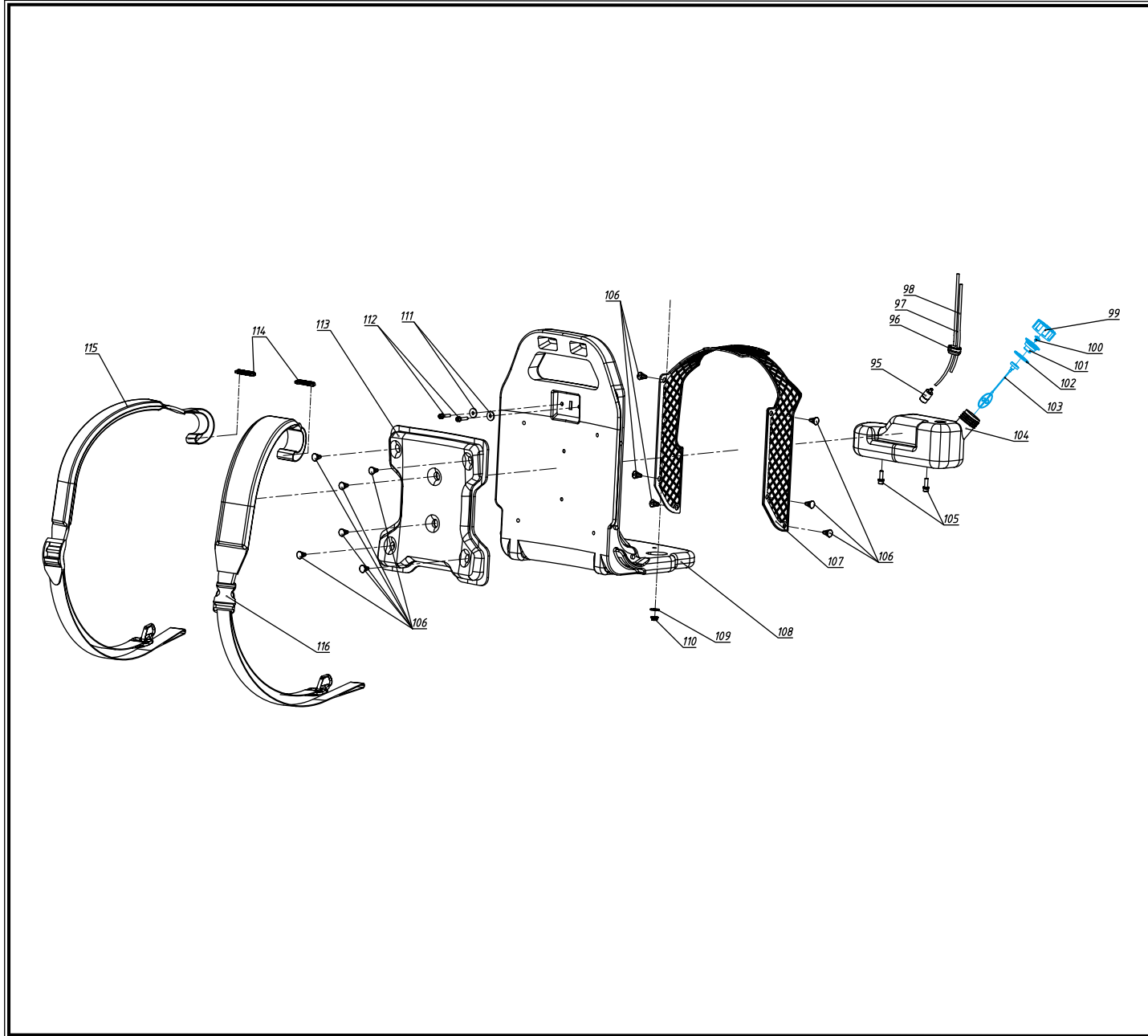
| POS. | CODE   | DESCRIPTION                             | QTY |
|------|--------|---|-----|
| 46   | A06030 | GASKE CYLINDER                          | 1   |
| 47   | A06131 | CYLINDER                                | 1   |
| 48   | A06133 | MUFFLER GASKET                          | 1   |
| 24   | A05988 | SCREW M5X12                             | 1   |
| 49   | A06146 | MUFFLER(WITH CATALYST)                  | 1   |
| 50   | A06033 | MUFFLER COVER                           | 1   |
| 51   | A06276 | SCREW M6X55                             | 2   |
| 52   | A05971 | SCREW ST4X5                             | 1   |
| 53   | A06014 | SPARK CAPTURE NET (SMALL)               | 1   |
| 54   | A06029 | SPARK-CAPTURE NET FIXING SLEEVE (SMALL) | 1   |
| 55   | A06285 | SPARK PLUG                              | 1   |
| 56   | A06132 | AIR GUIDE                               | 1   |
| 57   | A06136 | INLET PIPE SEALING GASKET               | 1   |
| 58   | A05983 | SCREW M5X20                             | 4   |
| 59   | A06219 | ROUND PLUG                              | 1   |
| 57   | A06136 | INLET PIPE SEALING GASKET               | 1   |
| 60   | A06035 | ADMITTING PIPE                          | 1   |
| 61   | A06034 | OIL DOOR CLAMP (LENGTH)                 | 1   |
| 62   | A05970 | SCREW M4X6                              | 1   |
| 63   | A06129 | SMALL HEAD DOOR CLAMP                   | 1   |
| 64   | A05973 | SCREW M5X28                             | 2   |
| 65   | A05720 | Ø5 BLACK FLAT WASHER                    | 2   |
| 66   | A05721 | Ø5 BLACK SPRING COIL                    | 2   |
| 67   | A06018 | CARBURETOR GASKET                       | 1   |
| 68   | A06128 | CARBURETOR (BUTTERFLY VALVE)            | 1   |



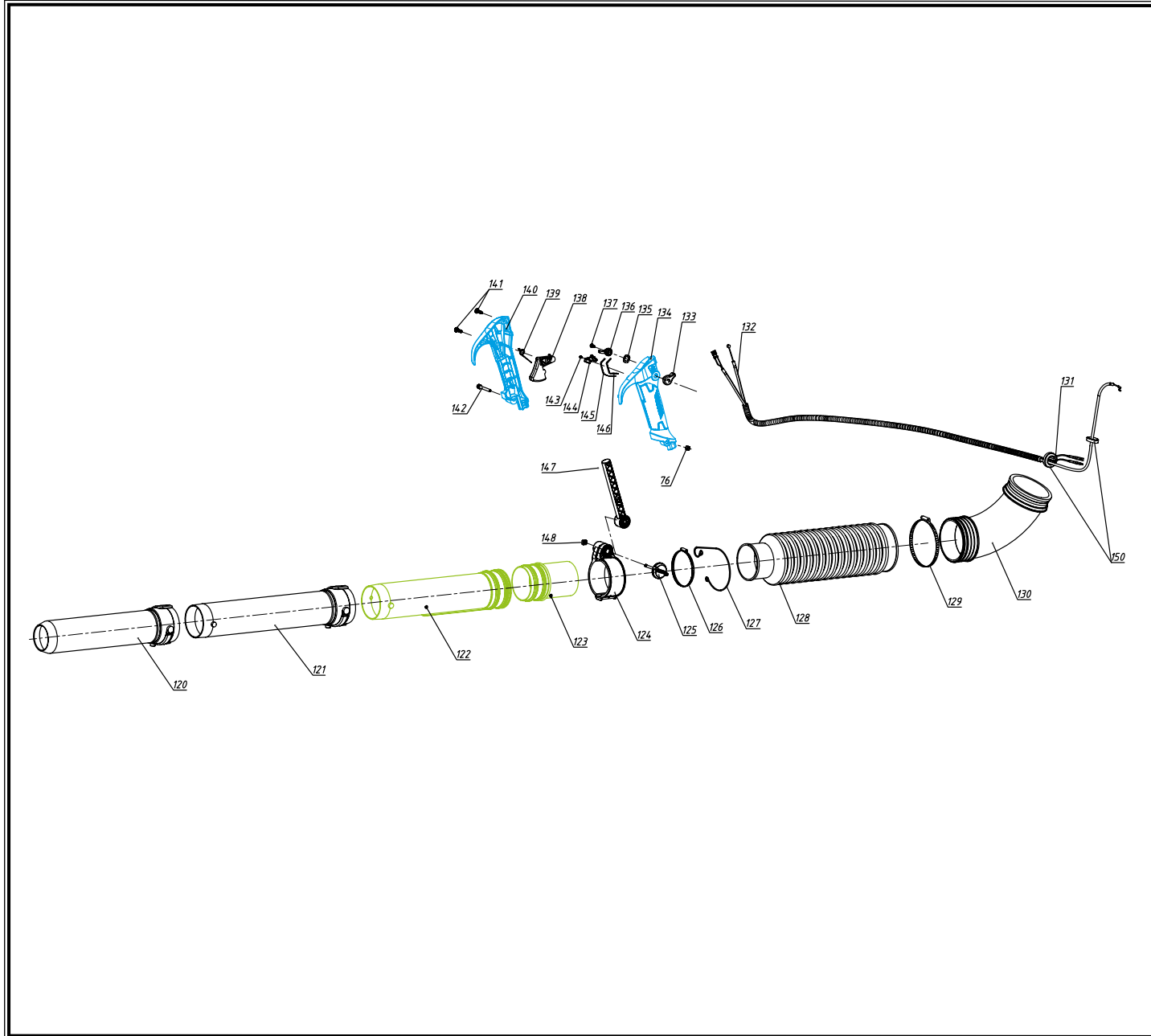
| POS. | CODE   | DESCRIPTION             | QTY |
|------|--------|-------------------------|-----|
| 69   | A06135 | CARBURETOR DAMPER LEVER | 1   |
| 70   | A06145 | AIR FILTER BASE         | 1   |
| 71   | A06449 | SCREW M5X52             | 2   |
| 72   | A06143 | SPONGE FILTER           | 1   |
| 73   | A06144 | AIR FILTER COVER        | 1   |
| 74   | A06017 | AIR FILTER NUT          | 1   |
| 75   | A05981 | SCREW ST5X14            | 4   |
| 76   | A06130 | CYLINDER COVER          | 1   |



| POS. | CODE   | DESCRIPTION            | QTY |
|------|--------|------------------------|-----|
| 35   | A05990 | SCREW                  | 1   |
| 63   | A06129 | SMALL HEAD DOOR CLAMP  | 1   |
| 79   | A05997 | NUT M5                 | 1   |
| 80   | A06162 | HALF VOLUTE            | 1   |
| 81   | A06246 | IMPELLER               | 1   |
| 82   | A05982 | SCREW M6X25            | 4   |
| 83   | A06161 | FRONT VOLUTE           | 1   |
| 84   | A05976 | SCREW ST5 25           | 11  |
| 85   | A06242 | DAMPING DISC CASTING   | 1   |
| 86   | A06243 | RUBBER GASKET          | 1   |
| 88   | A06238 | SCREW M5X70            | 1   |
| 84   | A05976 | SCREW ST5X25           | 5   |
| 89   | A05979 | SCREW ST5X19           | 1   |
| 90   | A06237 | ANTI STRIPPING COVER   | 2   |
| 91   | A06163 | DAMPING RUBBER CASTING | 2   |



| POS.          | CODE   | DESCRIPTION                    | QTY |
|---------------|--------|--------------------------------|-----|
| 95            | A06159 | FILTER FUEL                    | 1   |
| 96            | A06156 | FUEL PIPE BRIDGE               | 1   |
| 97            | A06157 | FUEL TUBE                      | 1   |
| 98            | A06158 | TRANSPARENT TUBING             | 1   |
| 99            | A06151 | TANK CAP                       | 1   |
| 100           | A06154 | RUBBER CHECK VALVE             | 1   |
| 101           | A06155 | CHECK VALVE SEATS              | 1   |
| 102           | A06153 | SEAL WASHER                    | 1   |
| 103           | A06152 | FALL PREVENTION BOARD          | 1   |
| <b>99-103</b> | A11880 | TANKS CAP ASSEMBLY             | 1   |
| 104           | A06150 | FUEL TANK                      | 1   |
| 105           | A05974 | SCREW M6X16                    | 2   |
| 106           | A06175 | PLASTIC BUCKLE                 | 6   |
| 107           | A06174 | PROTECTIVE FRAME               | 1   |
| 108           | A06173 | BACKPACK                       | 1   |
| 109           | A06004 | BIG WASHER                     | 2   |
| 110           | A06000 | NUT M6                         | 2   |
| 111           | A06027 | BLADE SPACER                   | 2   |
| 112           | A05983 | SCREW M5X20                    | 2   |
| 113           | A06176 | BACKING                        | 1   |
| 106           | A06175 | PLASTIC BUCKLE                 | 6   |
| 114           | A06268 | BACK CUSHION<br>HANGIGB BUCKLE | 2   |
| 115           | A06177 | HARNESS                        | 1   |
| 116           | A06178 | HARNESS WITH QUICK REALISE     | 1   |



| POS.    | CODE   | DESCRIPTION             | QTY |
|---------|--------|-------------------------|-----|
| 76      | A05997 | NUT M5                  | 1   |
| 120     | A06170 | BLOW PIPE (FRONT)       | 1   |
| 121     | A06169 | BLOW PIPE (MIDDLE)      | 1   |
| 122+123 | A06171 | BLOW PIPE               | 1   |
| 124     | A06164 | HANDLE SEAT FIXING RING | 1   |
| 125     | A06216 | LOCKING KONB            | 1   |
| 126     | A06167 | STAINLESS STEEL CLAMP   | 1   |
| 127     | A06138 | CORRUGATED PIPE RING    | 1   |
| 128     | A06166 | PIPE                    | 1   |
| 129     | A06168 | STAINLESS STEEL CLAMP   | 1   |
| 130     | A06160 | ANGLE PIPE              | 1   |
| 131     | A06259 | OFF LINE                | 1   |
| 132     | A06165 | THROTTLE CABLE          | 1   |
| 133     | A06251 | LOCKING KONB            | 1   |
| 134+140 | A06257 | COVER (LEFT + RIGHT)    | 1   |
| 135     | A06005 | WASHER                  | 2   |
| 136     | A06250 | CRUISE CONTROL LEVER    | 1   |
| 137     | A05972 | SCREW ST4X10            | 1   |
| 138     | A06252 | THROTTLE PUSH ROD       | 1   |
| 139     | A06256 | TRIGGER SPRING          | 1   |
| 141     | A05981 | SCREW ST 5X14           | 2   |
| 142     | A05995 | SCREW M5X40             | 1   |
| 143     | A06283 | SCREW ST 2.9X6.5        | 1   |
| 144     | A06253 | LIMIT PLATE             | 1   |
| 145     | A06254 | LEAF A                  | 1   |
| 146     | A06255 | LEAF B                  | 1   |
| 147     | A06247 | HANDLE SEAT             | 1   |
| 148     | A05998 | NUT M5                  | 1   |
| 150     | A06013 | NYLON BLACK TIE         | 2   |