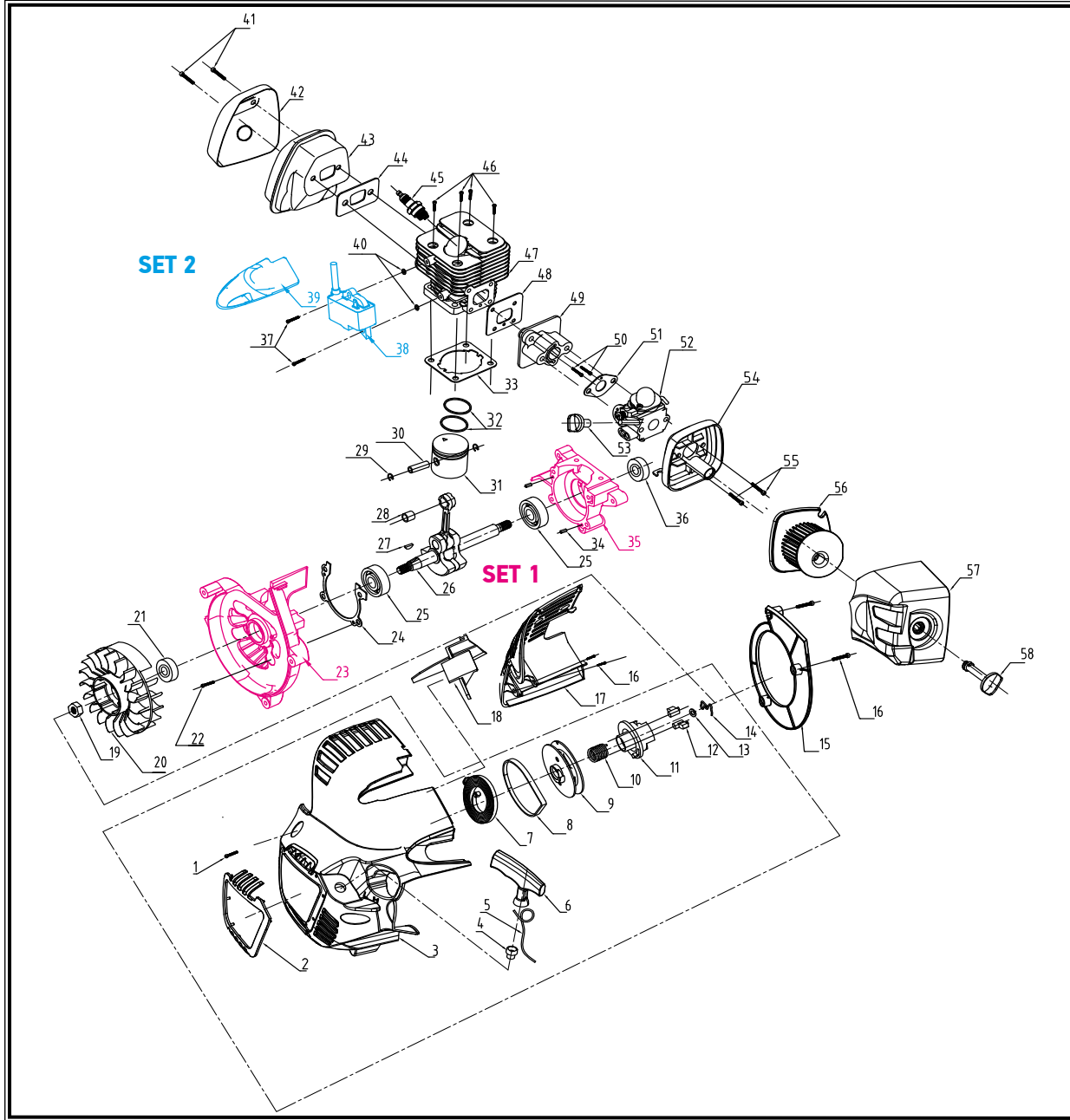
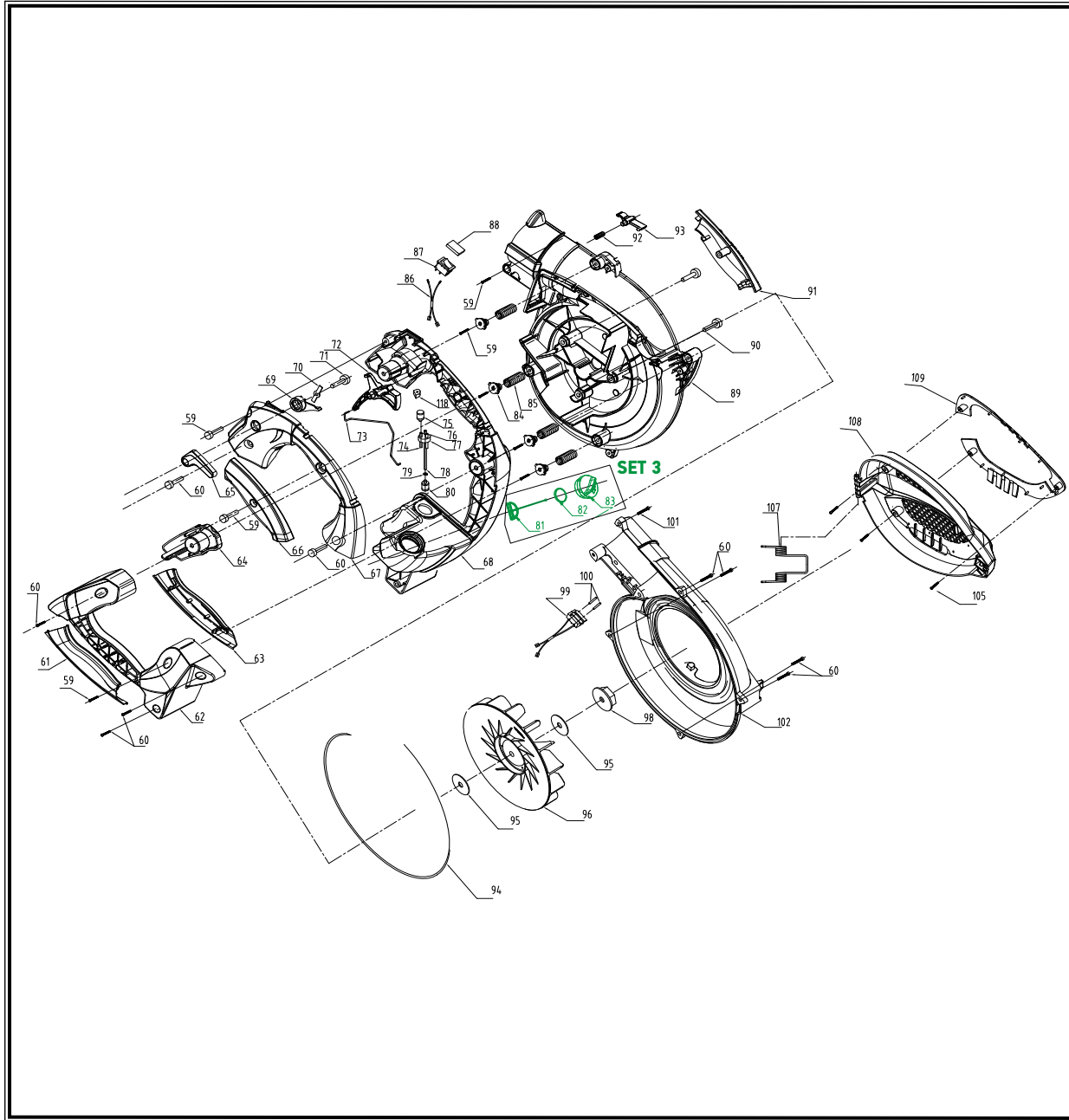


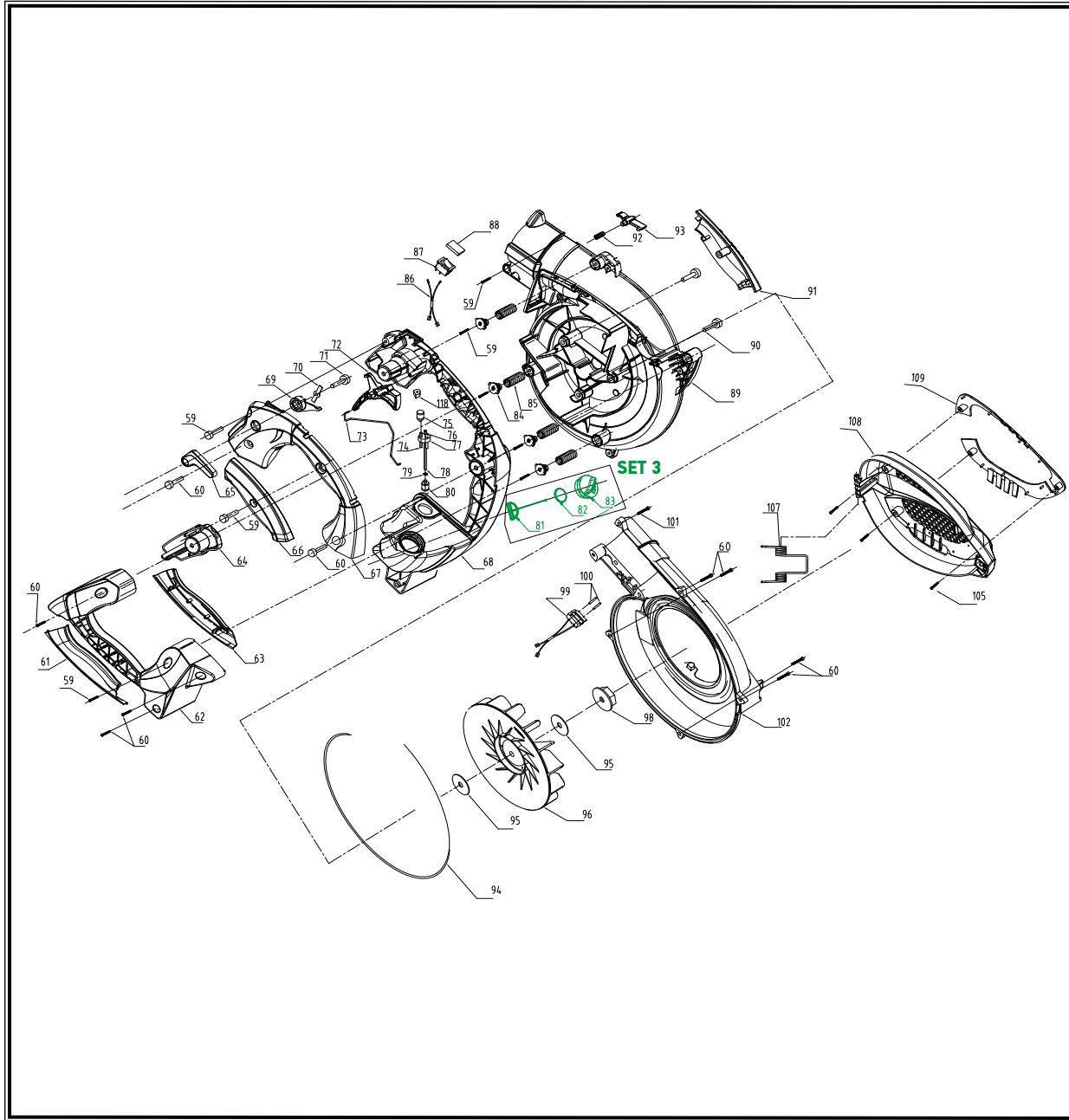
POS.	CODE	DESCRIPTION	QTY
1	A05983	SCREW M5X20	3
2	A06118	START HOUSING DECORATIVE BOARD	1
3	A06120	START HOUSING	1
4	A06290	EYELET	1
5	A06289	START ROPE	1
6	A06300	START HANDLE	1
7	A06296	COIL SPRING	1
8	A06297	COIL SPRING COVER	1
9	A06081	START PULLEY	1
10	A06075	EASY START SPRING	1
11	A06074	STARTER HUB	1
12	A06076	STARTER COUPLERS	2
13	A06077	PLATE WASHER	1
14	A06078	CIRCLIP	1
15	A06119	AIR DEFLECTOR	1
16	A05978	SCREW ST4x10	5
17	A06079	MUFFLER COVER	1
18	A06080	RUBBER PAD	1
19	A05518	FLANGE NUT M8	1
20	A06071	FLYWHEEL	1
21	A06292	OIL-SEAL	1
22	A05994	SCREW M5X35	4
SET 1 (23+35)	A06445	LEFT + RIGHT CRANK CASE	1
24	A06061	CRANK CASE GASKET	1
25	A06272	BALL BEARING 6201	2
26	A06064	CRANK SHAFT ASSEMBLY	1
27	A05744	KEY3x5x13	1
28	A06066	BEARING	1
29	A06291	CIRCLIP \ PISTON RING	2



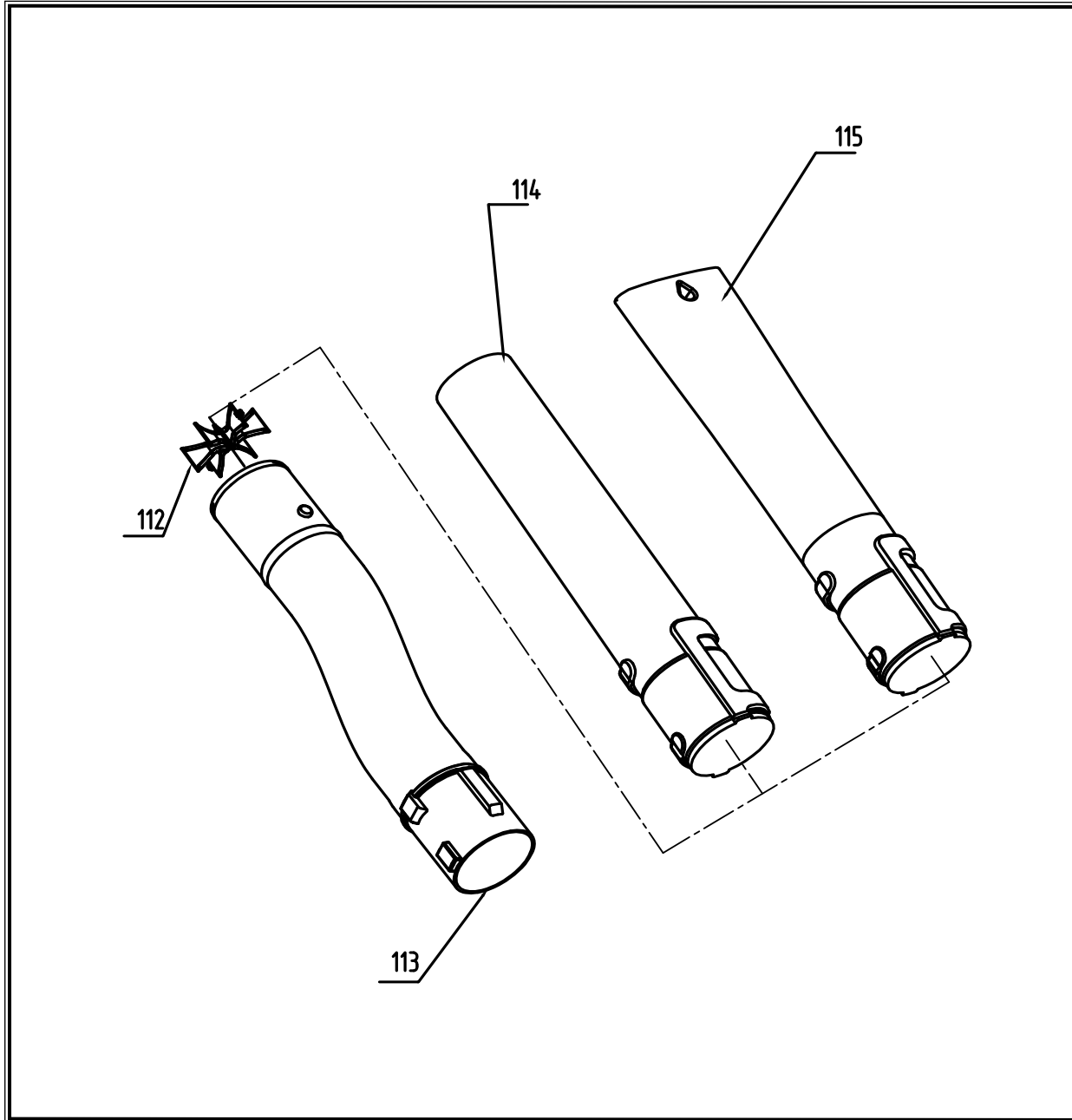
POS.	CODE	DESCRIPTION	QTY
30	A06063	PISTON PIN	1
31	A06065	PISTON	1
32	A06062	PISTON RING	2
33	A06056	GASKET \ CYLINDER	1
34	A06008	PIN	2
36	A06292	OIL-SEAL	1
37	A05987	SCREW M4X20	2
SET 2 (38+39)	A06072	IGNITION ASSEMBLY	1
40	A06055	HEAT PAD	2
41	A05989	SCREW M5×60	2
42	A06054	MUFFLER INSULATION COVER	1
43	A06070	MUFFLER	1
44	A06053	MUFFLER GASKET	1
45	A06285	SPARK PLUG	1
46	A05983	SCREW M5X20	4
47	A06051	CYLINDER	1
48	A06050	INLET PIPE SEALING GASKET	1
49	A06057	INTAKE FLANGE	1
50	A05985	SCREW M5X25	2
51	A06287	CARBURETOR GASKET	1
52	A06058	CARBURETOR	1
53	A06049	AIR DOOR KNOB	1
54	A06067	AIR BOX BASE	1
55	A06271	SCREW M5X45	2
56	A06069	AIR FILTER	1
57	A06117	AIR BOX COVER	1
58	A06068	AIR FILTER KNOB	1



POS.	CODE	DESCRIPTION	QTY
59	A05975	SCREW ST5×16	8
60	A05980	SCREW ST5×19	10
61	A06104	LEFT UNDER HANDLE COVER	1
62	A06094	UNDER THE HANDLE	1
63	A06105	RIGHT UNDER HANDLE COVER	1
64	A06095	UNDER THE HANDLE SUPPORT	1
65	A06101	KNOB	1
66	A06102	LEFT HANDLE COVER	1
67	A06093	LEFT HANDLE	1
68	A06096	FUEL TANK	1
69	A06099	DRIVING LEVER	1
70	A06100	REED	1
71	A05975	SCREW ST5×16	1
72	A06097	THROTTLE PUSH ROD	1
73	A06098	THROTTER ROD	1
74	A06116	AIR TUBE	1
75	A06298	BALANCER	1
76	A06115	OIL RETURN PIPE	1
77	A06288	RETAINER FUEL TUBE	1
78	A06114	FUEL TUBE	1
79	A05712	SNAP RINGS	1
80	A06295	FILTER FUEL	1
SET 3 (81-83)	A04819	FUEL TANK ASSEMBLY	1
84	A06048	ANTI-SPRING MOUNT	4
85	A06121	DAMPING SPRING	4
86	A06124	WIRING	1
87	A05896	SWITCH	1
88	A06015	WATERPROOF CAP	1
89	A06092	LEFT FAN COVER	1



POS.	CODE	DESCRIPTION	QTY
90	A05985	SCREW M5×25	3
91	A06103	RIGHT HANDLE COVER	1
92	A06286	BUTTON SPRING	1
93	A06085	FIXED LINK	1
94	A06091	STRIP SEAL	1
95	A06088	PLATE WASHER	2
96	A06087	WORM WHEEL	1
98	A06280	NUT M8	1
99	A06125	FRONT SWITCH	1
100	A06090	DOWEL PIN	2
101	A05981	SCREW ST5×14	1
102	A06082	RIGHT FAN COVER	1
107	A06086	TORSIONAL SPRING	1
108	A06122	WORM WHEEL COVER	1
109	A06123	WORM WHEEL COVER DECORATIVE BOARD	1



POS.	CODE	DESCRIPTION	QTY
112	A06110	AIR DISTRIBUTOR	1
113	A06127	BENT BLOW PIPE	1
114	A06109	ROUND BLOW PIPE	1
115	A06111	WIDE BLOW PIPE	1