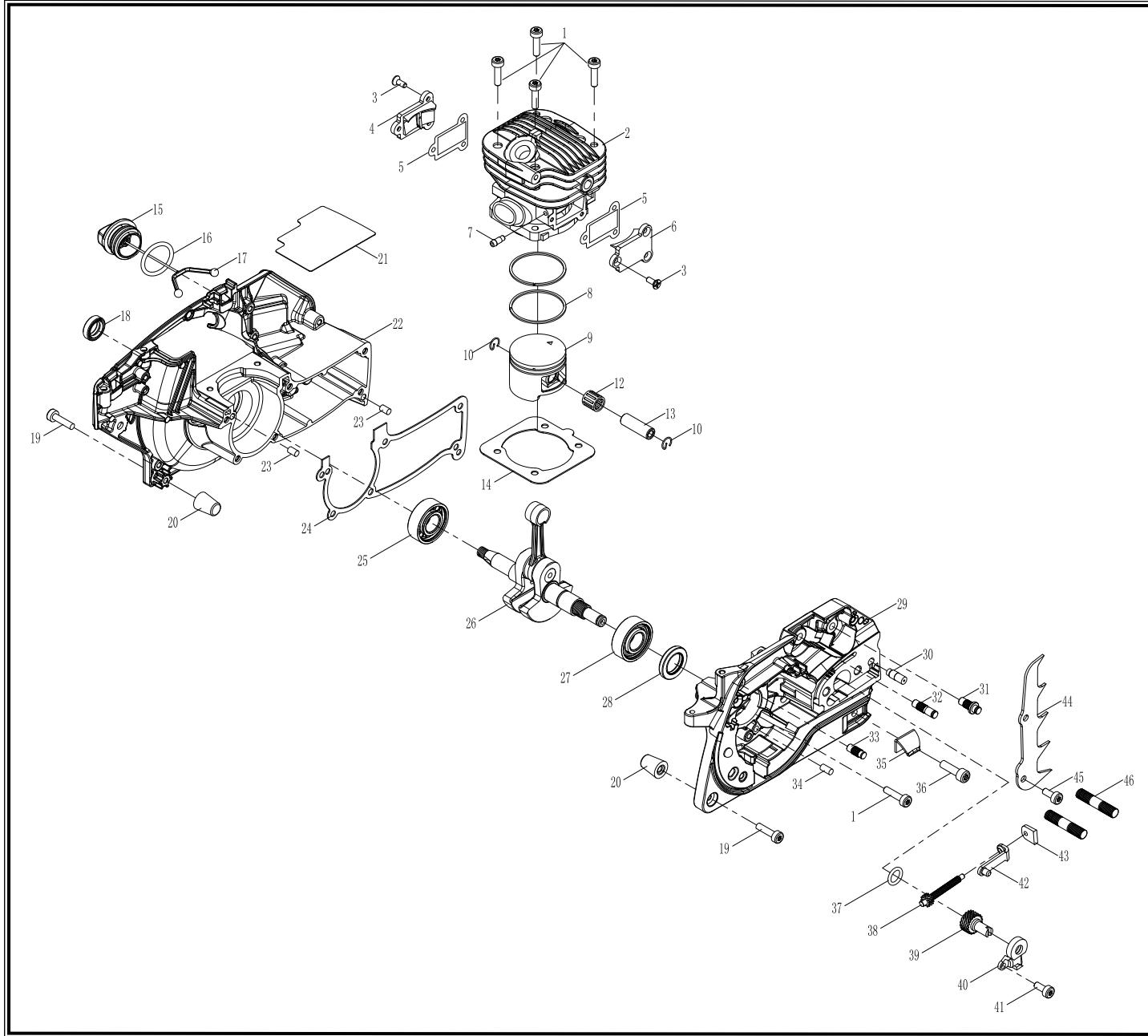
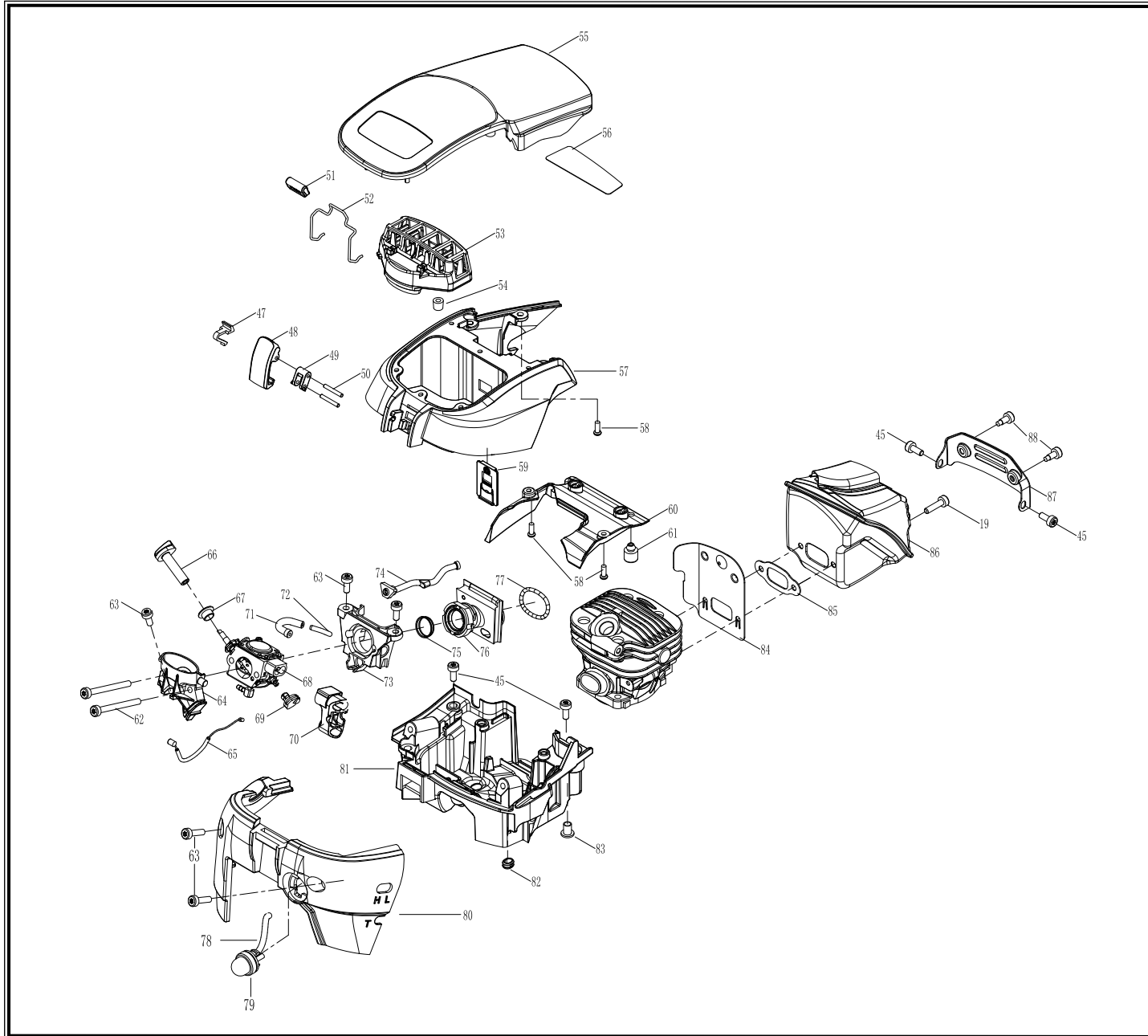


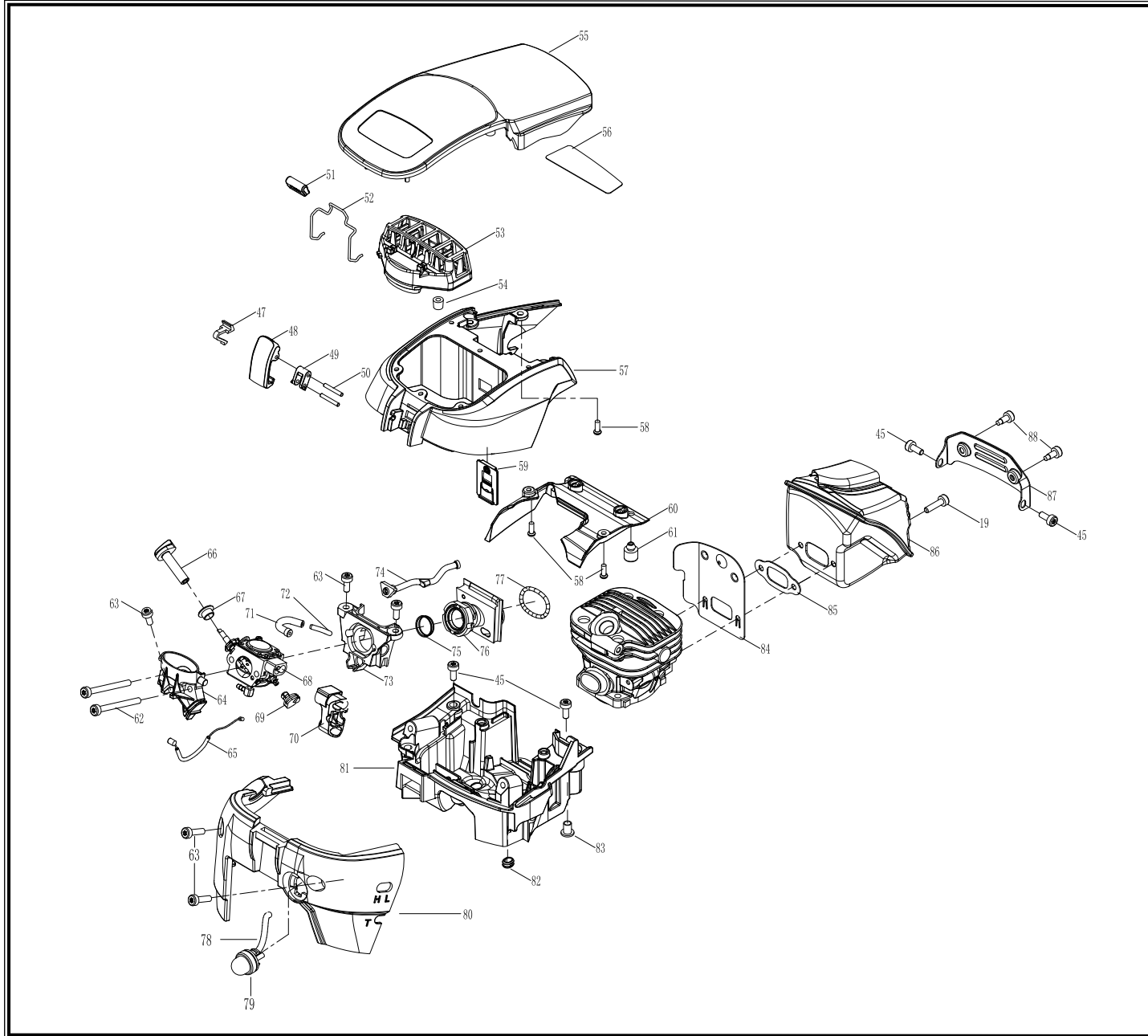
POS.	CODE	DESCRIPTION	QTY
1	A05796	SCREW M5×20	10
2	A05797	CYLINDER	1
3	A05798	SCREW M4×8	6
4	A05799	CYLINDER LEFT COVER	1
5	A05800	CYLINDER SIDE COVER GASKET	2
6	A05801	CYLINDER RIGHT COVER	1
7	A05802	PRESSURE NOZZLE	1
8	A05803	PISTON RING	2
9	A05804	PISTON	1
10	A05805	CIRCLIP	2
12	A05806	NEEDLE BEARING	1
13	A05807	PISTON PIN	1
14	A05808	CYLINDER GASKET	1
15	A05809	OIL TANK CAP	1
16	A05810	O-RING	1
17	A05811	TANK CAP RETAINER	1
18	A05812	OIL SEALING	1
19	A05813	SCREW M5×20	2
20	A05814	TANK ABSORBER	2
21	A05815	CRANKCASE HEAT ISOLATION	1
22	A05816	LEFT CRANKCASE	1
23	A05828	PIN 5×10	2
24	A05818	CRANKCASE GASKET	1
25	A05819	BEARING 6202	1
26	A05820	CRANKSHAFT	1
27	A05821	BEARING	1
28	A05822	OIL SEALING 20×30×5	1



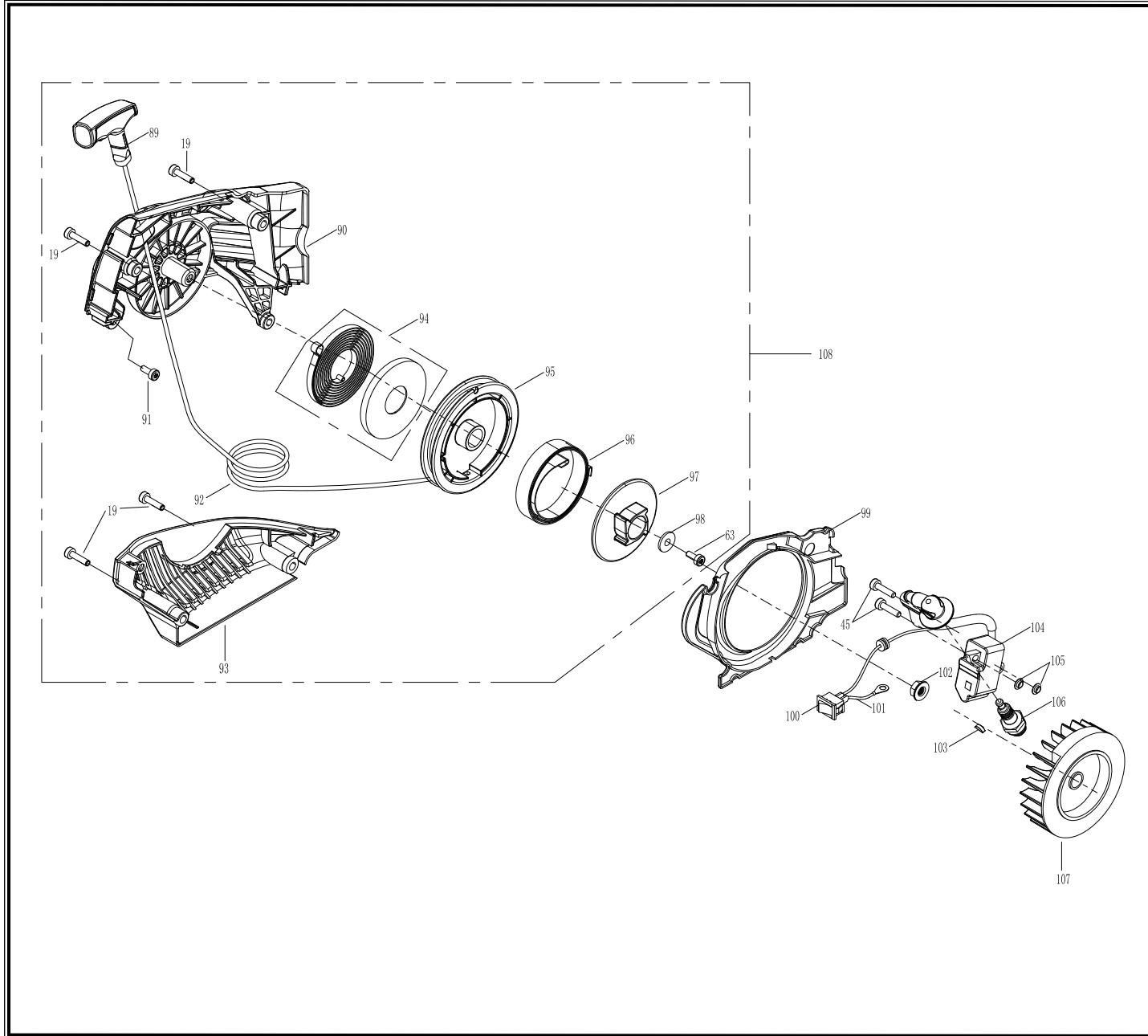
POS.	CODE	DESCRIPTION	QTY
29	A05823	RIGHT CRANKCASE	1
30	A05675	VENT NOZZLE	1
31	A05825	PIN FOR GEMEL	1
32	A05826	PIN FOR FRONT HANDLE GUARD	1
33	A05827	PIN FOR BRAKE SPRING	1
34	A05817	OIL PUMP PIN	1
35	A05829	CHAIN CATCHER	1
36	A05830	SCREW M6×20	1
37	A05831	O-RING	1
38	A05832	TENSIONER SCREW	1
39	A05833	TENSIONER GEAR	1
40	A05834	GEAR COVER	1
41	A05835	SCREW M5×12	1
42	A05836	TENSIONER BLOCK	1
43	A05682	POSITION BLOCK	1
44	A05838	SPIKED BUMPER	1
45	A05672	SCREW M5×16	1
46	A05840	BOLT M8×28	2



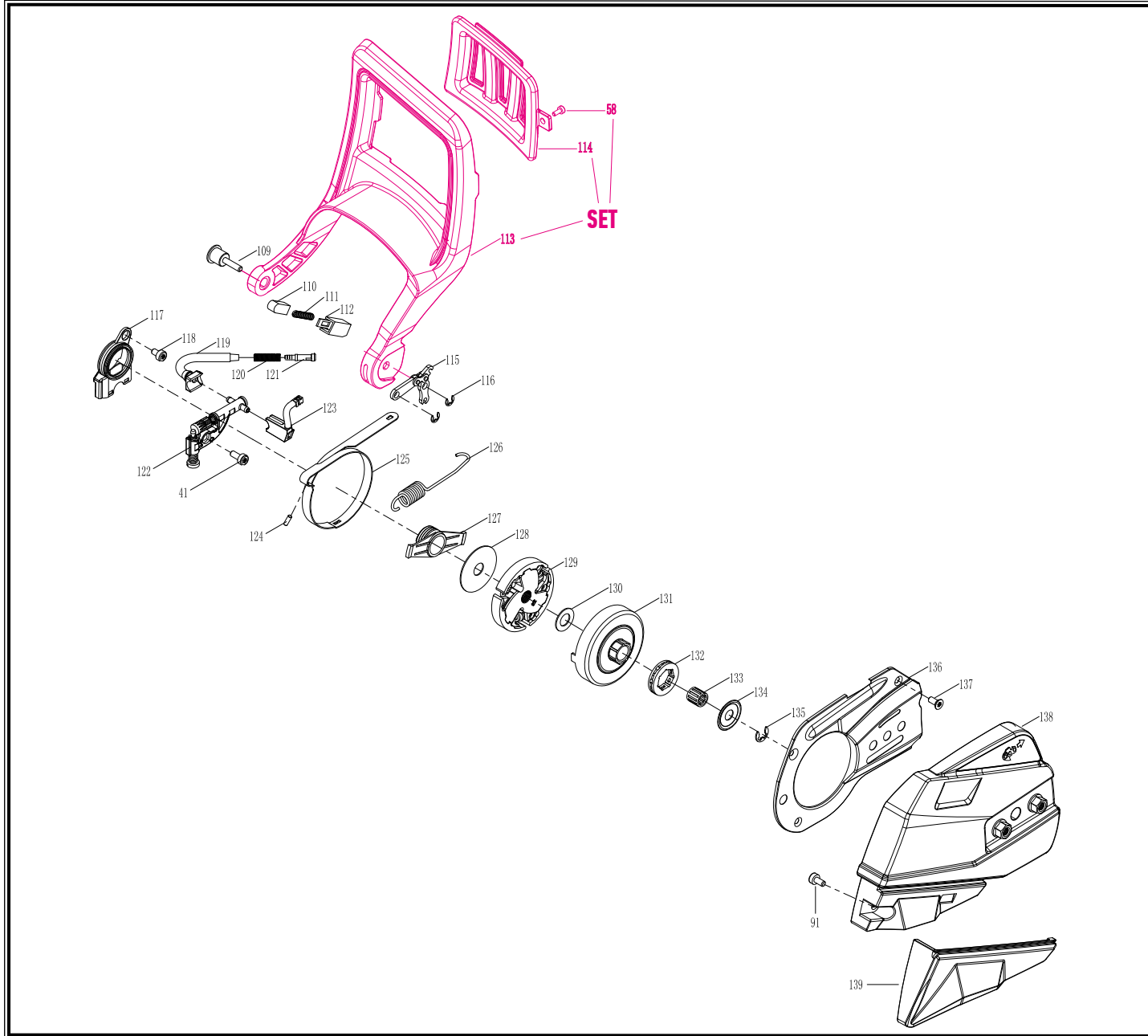
POS.	CODE	DESCRIPTION	QTY
19	A05813	SCREW M5×20	1
45	A05672	SCREW M5×16	4
47	A05689	HOOK	1
48	A05842	LOCK LEVER	1
49	A05688	TRANSFER BAR	1
50	A05844	PIN 3×22	2
51	A05701	LOCK KNOB	1
52	A05846	LOCKING SPRING	1
53	A05847	AIR FILTER	1
54	A05848	AIR FILTER ABSORBER	1
55	A05849	CYLINDER SHIELD	1
56	A05850	TOP HEAT ISOLATION	1
57	A05851	CYLINDER SHIELD BASE	1
58	A05852	TAPPING SCREW ST4×10	1
59	A05853	ANTI-FREEZING WINDOW	1
60	A05854	TOP FLOW GUIDING COVER	1
61	A05855	RUBBER ABSORBER	1
62	A05856	SCREW M5×55	2
63	A05695	TAPPING SCREW ST5.7×16	5
64	A05858	AIR FILTER BASE	1
65	A05859	THROTTLE CABLE	1
66	A05860	CHOKE KNOB	1
67	A05706	CHOKE KNOB BASE	1
68	A05862	CARBURETTOR	1
69	A05863	THROTTLE CABLE ROLLER	1
70	A05864	GUIDER	1
71	A05865	VACUUM TUBE	1



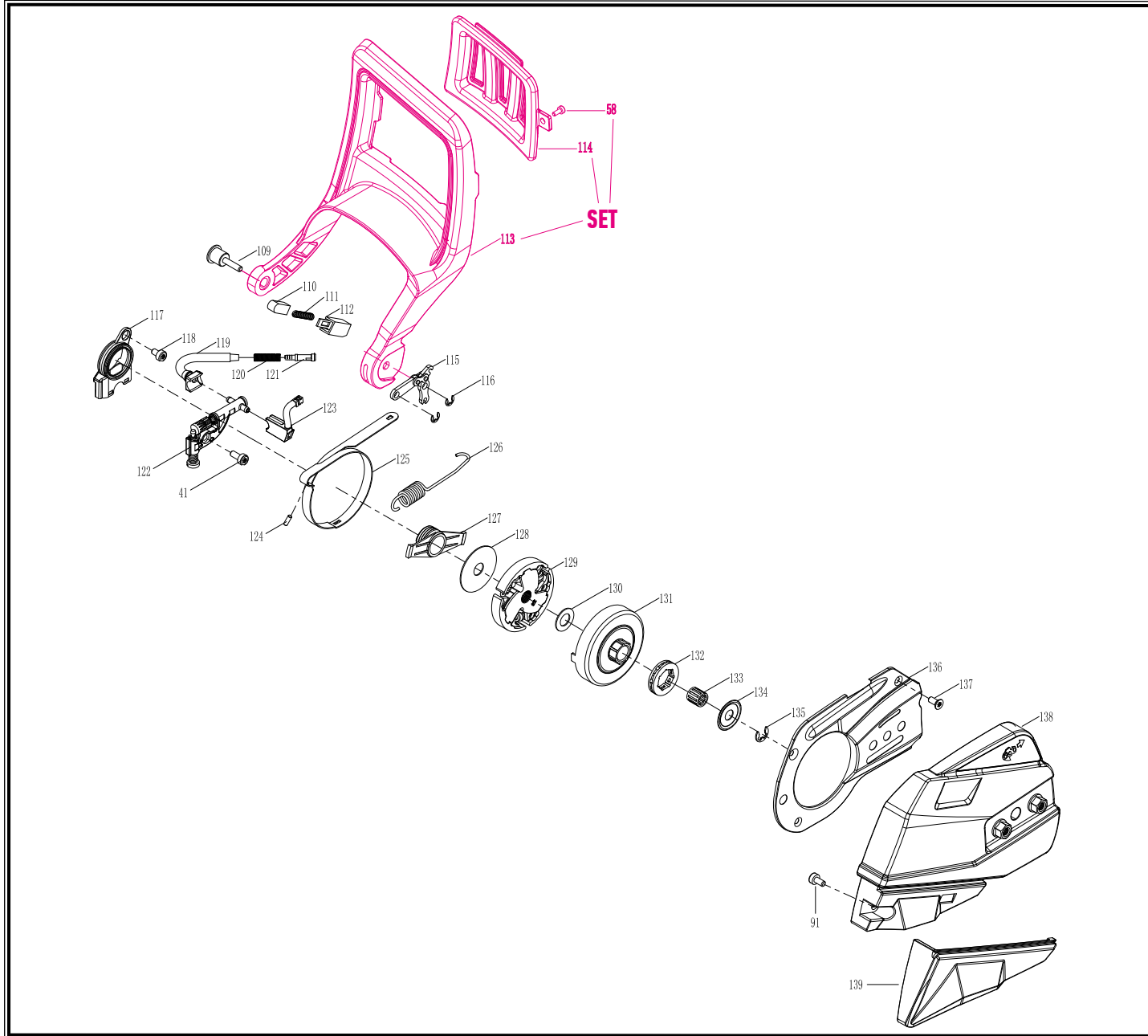
POS.	CODE	DESCRIPTION	QTY
72	A05866	COPPER TUBE	1
73	A05867	CARBURETTOR SUPPORT	1
74	A05868	PRESSURE TUBE	1
75	A05869	SUPPORT RING	1
76	A05870	INTAKE PIPE	1
77	A05871	SPRING RING	1
78	A05872	PUMP PIPE	1
79	A05697	PRIMER BULB	1
80	A05874	REAR COVER	1
81	A05875	ISOLATION CHAMBER	1
82	A05876	PROTECTING JACKET	1
83	A05877	INSET BUSH	2
84	A05878	FRONT FLOW GUIDING COVER	1
85	A05879	MUFFLER GASKET	1
86	A05880	MUFFLER	1
87	A05881	MUFFLER COVER	1
88	A05882	SCREW M5×15	2



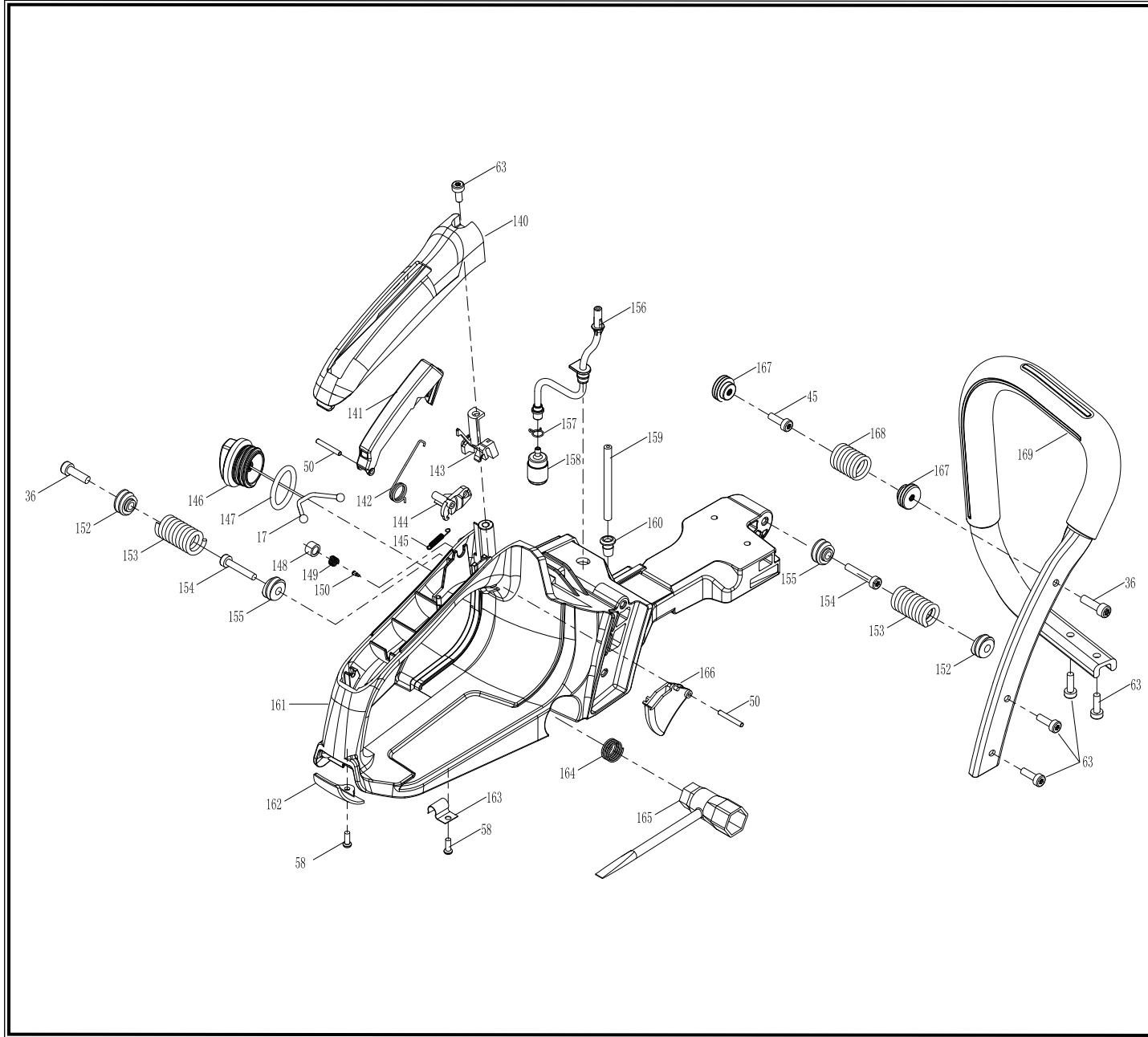
POS.	CODE	DESCRIPTION	QTY
19	A05813	SCREW M5×20	4
45	A05672	SCREW M5×16	2
63	A05695	TAPPING SCREW ST5.7×16	1
89	A05726	STARTER HANDLE	1
90	A05884	STARTER COVER ASSEMBLY	1
91	A05731	TAPPING SCREW ST5.7×13	1
92	A05888	STARTER ROPE	1
93	A05889	STARTER FENCE	1
94	A05890	STARTER SPRING	1
95	A05891	ROPE WHEEL	1
96	A05892	DAMPER SPRING	1
97	A05893	STARTER RATCHET	1
98	A05894	WASHER	1
99	A05895	FLOW GUIDING COVER	1
100	A05896	SWITCH	1
101	A05897	GROUND WIRE	1
102	A05898	NUT M8	1
103	A05899	SEMI-CIRCLE KEY	1
104	A05900	IGNITION	1
105	A05740	HEAT ISOLATING WASHER	2
106	A05902	SPARK PLUG	1
107	A05903	ROTATOR	1
108	A05904	RECOIL STARTER	1



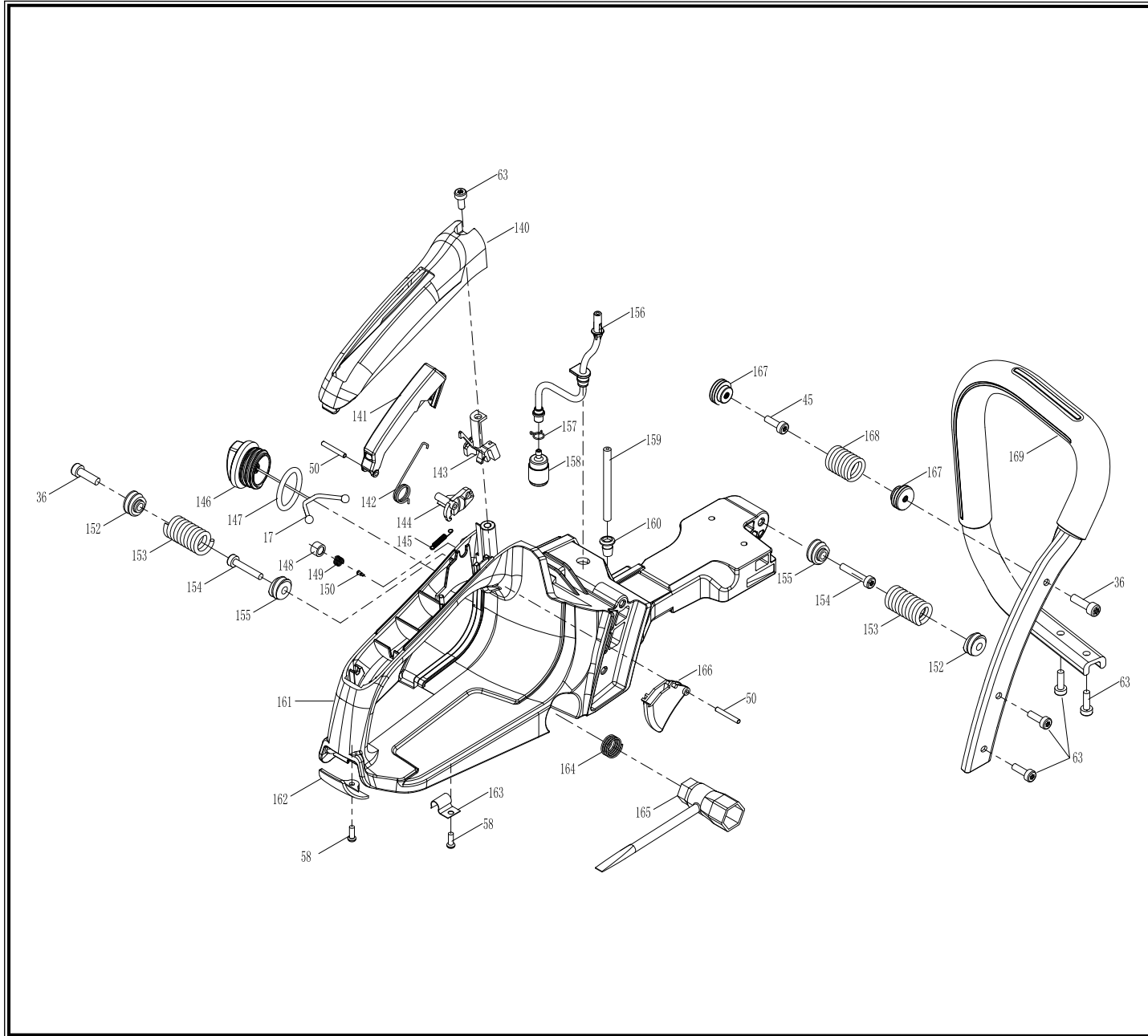
POS.	CODE	DESCRIPTION	QTY
41	A05835	SCREW M5×12	1
58	A05852	TAPPING SCREW ST4×10	1
91	A05731	TAPPING SCREW ST5.7×13	1
109	A05905	SCREW SHAFT	1
110	A05754	RETURN SPRING FIXTURE	1
111	A05907	RETURN SPRING	1
112	A05908	RETURN SPRING COVER	1
113	A05909	FRONT HANDLE GUARD	1
114	A05910	FRONT FENCE	1
SET 58 +113 +114	A04811	FRONT HANDLE ASSEMBLY	1
115	A05911	GEMEL	1
116	A05758	E-RING	2
117	A05746	OIL PUMP COVER	1
118	A05914	SCREW M5×8	1
119	A05747	OIL TUBE	1
120	A05916	OIL FILTER SPRING	1
121	A05917	OIL FILTER	1
122	A05918	OIL PUMP	1
123	A05919	SPRAY NOZZLE	1
124	A05920	POSITION PIN Ø 3×8	1
125	A05761	BRAKE STRAP	1
126	A05759	BRAKE SPRING	1
127	A05763	WORM	1
128	A05764	WASHER FOR CLUTCH	1
129	A05765	CLUTCH	1
130	A05926	ANTI-FRICTION WASHER	1



POS.	CODE	DESCRIPTION	QTY
131	A05927	CLUTCH DRUM	1
132	A05928	SPROCKET	1
133	A05929	NEEDLE BEARING	1
134	A05930	WASHER	1
135	A05931	E-RING	1
136	A05932	BRAKE SPRING COVER	1
137	A05933	SCREW M5×16	3
138	A05934	CLUTCH COVER ASSEMBLY	1
139	A05937	CHIP DISCHARGE COVER	1



POS.	CODE	DESCRIPTION	QTY
17	A05811	TANK CAP RETAINER	1
36	A05830	SCREW M6×20	2
45	A05672	SCREW M5×16	1
50	A05844	PIN 3×22	2
58	A05852	TAPPING SCREW ST4×10	2
63	A05695	TAPPING SCREW ST5.7×16	5
140	A05938	REAR HANDLE COVER	1
141	A05939	THROTTLE TRIGGER LOCK-OUT	1
142	A05940	THROTTLE TRIGGER SPRING	1
143	A05941	GUIDER BASE	1
144	A05942	CONNECTING FITTING	1
145	A05943	THROTTLE TRIGGER SPRING	1
146	A05944	FUEL TANK CAP	1
147	A05660	O-RING	1
148	A05946	VENT CAP	1
149	A05785	SPRING	1
150	A05786	VENT VALVE	1
152	A05949	REAR ABSORBER SPRING BASE	2
153	A05950	REAR ABSORBER SPRING	2
154	A05951	TAPPING SCREW ST5.7×25	2
155	A05952	REAR ABSORBER SPRING BASE	2
156	A05953	FUEL TUBE	1
157	A05788	CIRCLIP	1
158	A05955	FUEL FILTER	1
159	A05956	RETURN PIPE	1
160	A05957	RETURN PIPE BASE	1
161	A05958	FUEL TANK	1



POS.	CODE	DESCRIPTION	QTY
162	A05790	BOTTOM COVER	1
163	A05791	STRAP SPRING	1
164	A05961	FIXTURE SPRING	1
165	A05793	SPARK PLUG WRENCH	1
166	A05963	THROTTLE TRIGGER	1
167	A05964	FRONT ABSORBER SPRING BASE	2
168	A05965	FRONT ABSORBER SPRING	1
169	A05966	FRONT HANDLE	1