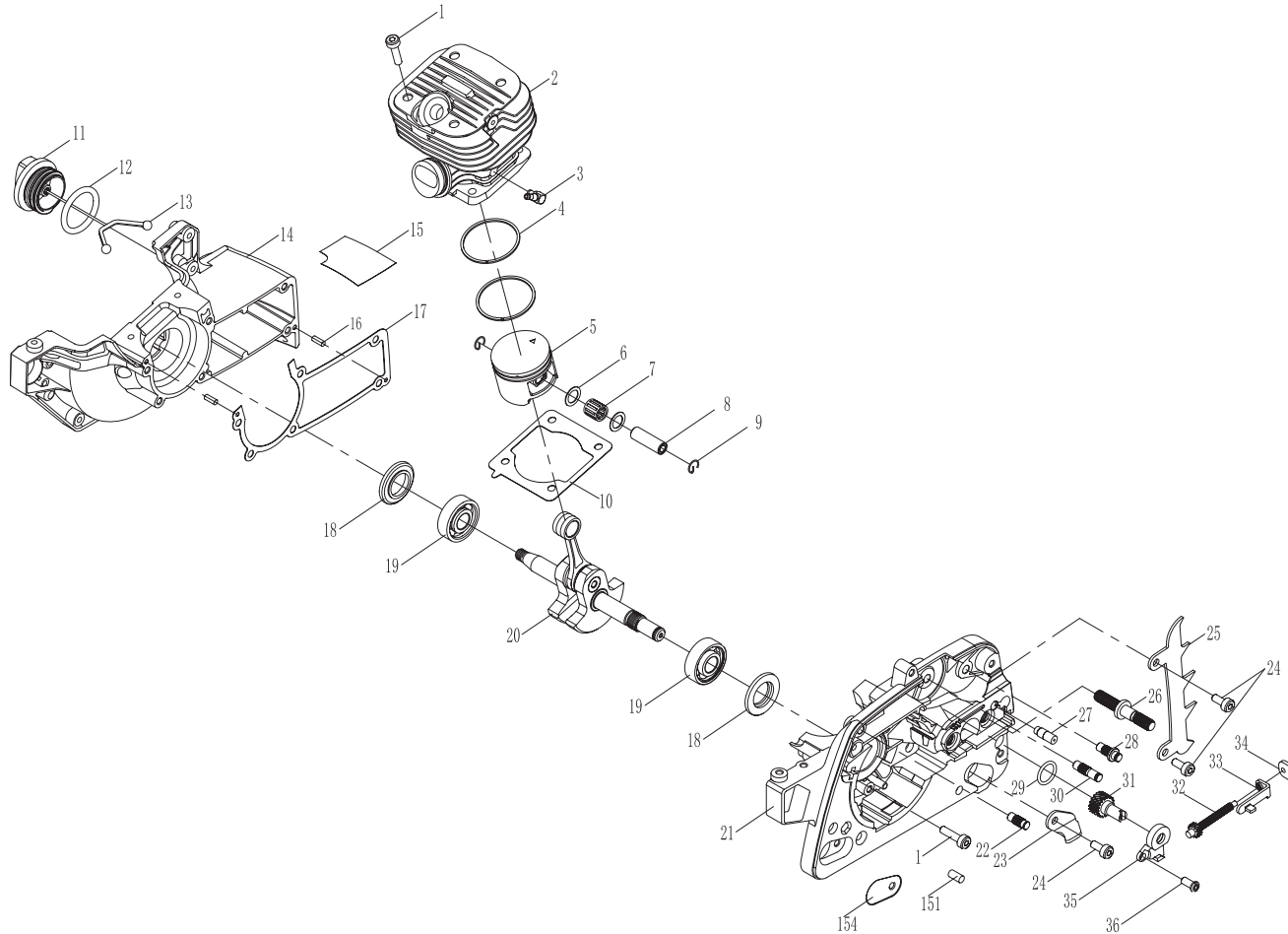
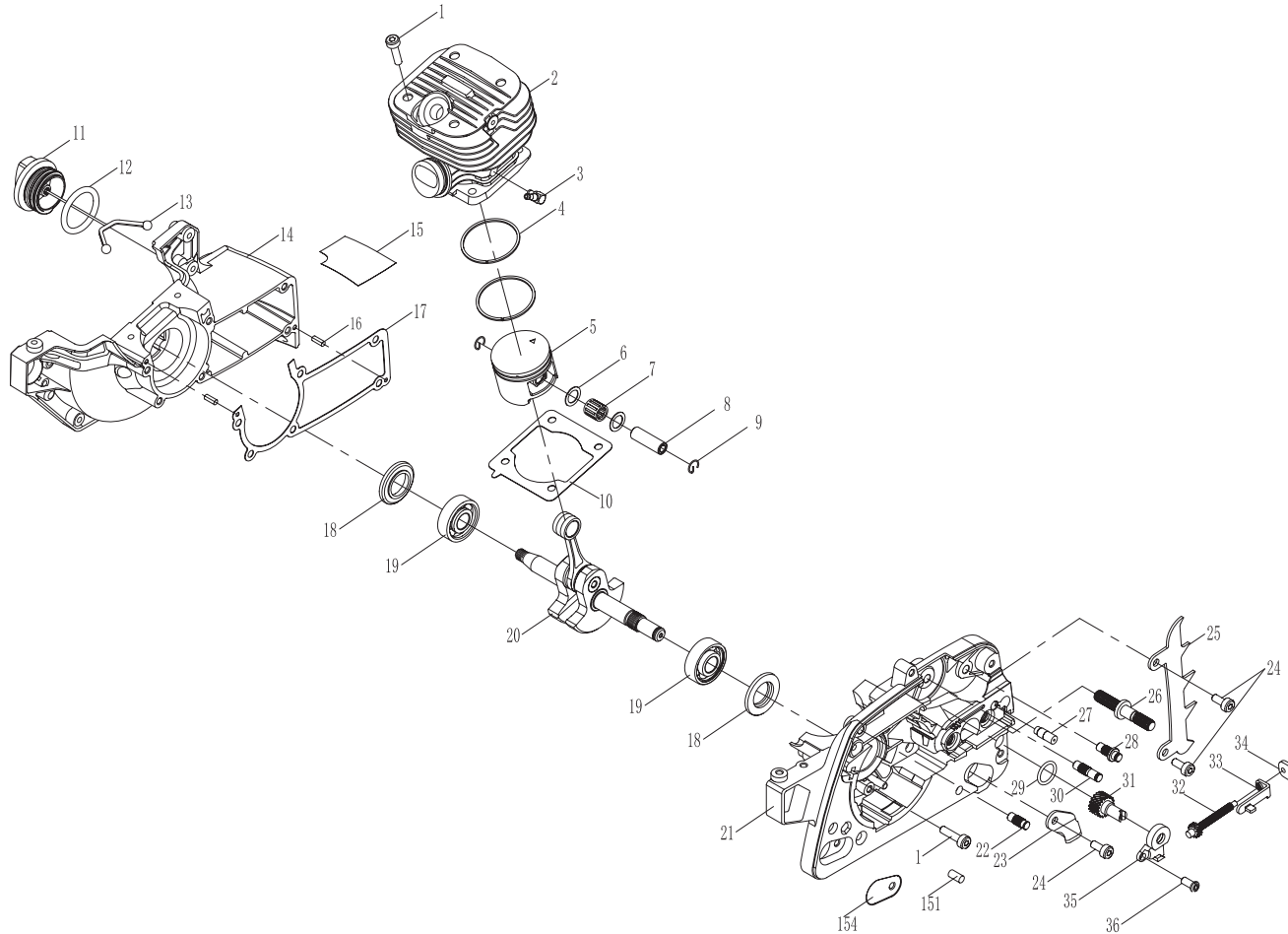


TABLE 1



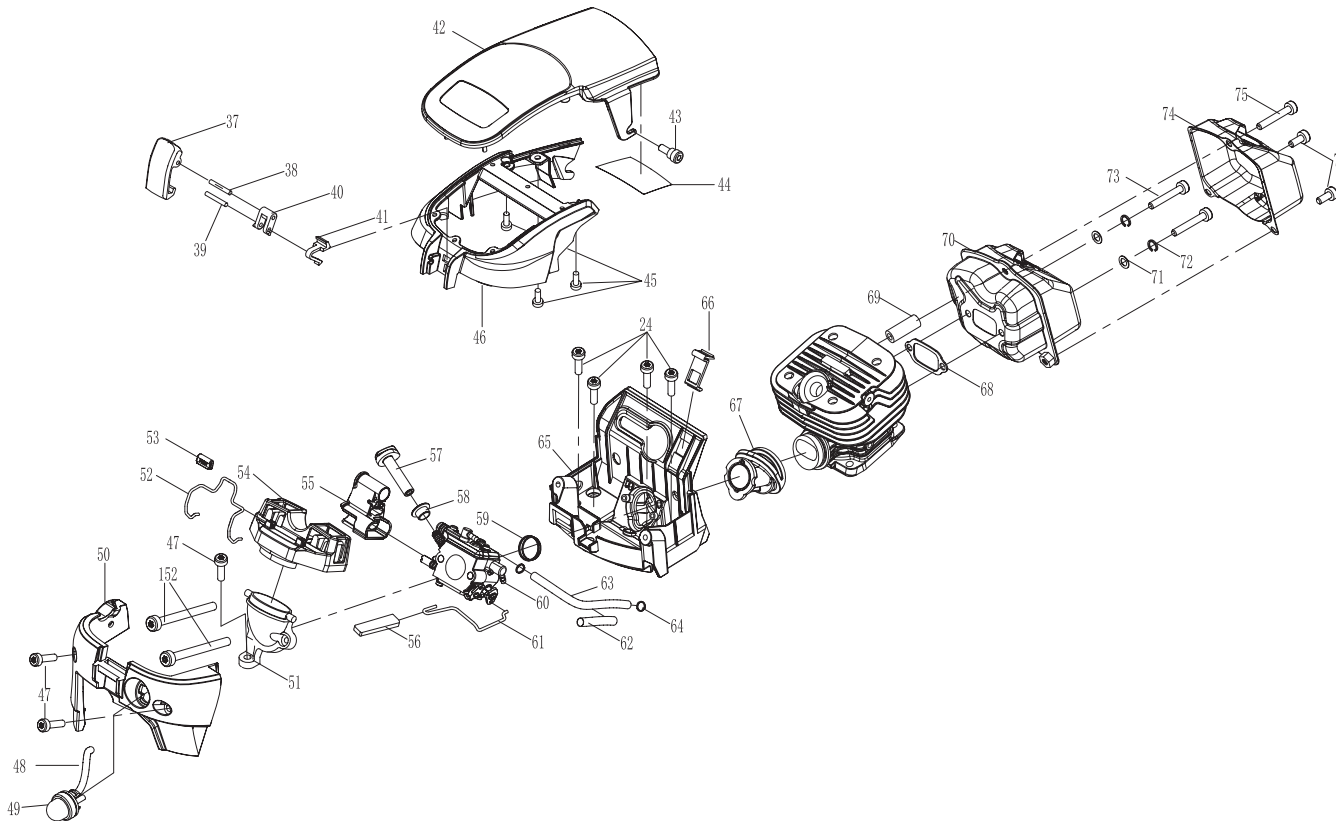
POS.	CODE	DESCRIPTION	QTY
1	A05649	SCREW M5×20	5
2	A05650	CYLINDER	1
3	A05651	PRESSURE NOZZLE	1
4	A05652	PISTON RING	2
5	A05653	PISTON	1
6	A05654	NEEDLE BEARING GASKET	2
7	A05655	NEEDLE BEARING	1
8	A05656	PISTON PIN	1
9	A05657	CIRCLIP	2
10	A05658	CYLINDER GASKET	1
11	A05944	OIL TANK CAP	1
12	A05660	O-RING	1
13	A05811	TANK CAP RETAINER	1
14	A05662	LEFT CRANKCASE	1
15	A05663	CRANKCASE HEAT ISOLATION	1
16	A05664	PIN	2
17	A05665	CRANKCASE GASKET	1
18	A05666	OIL SEALING	2
19	A05667	BEARING	2
20	A05668	CRANKSHAFT	1
21	A05669	RIGHT CRANKCASE	1
22	A05827	PIN FOR BRAKE SPRING	1
23	A05671	CHAIN CATCHER	1
24	A05672	SCREW M5×16	3
25	A05673	SPIKED BUMPER	1
26	A05674	SUPPORTING BOLT	2
27	A05675	VENT NOZZLE	1
28	A05825	PIN FOR GEMEL	1

TABLE 1



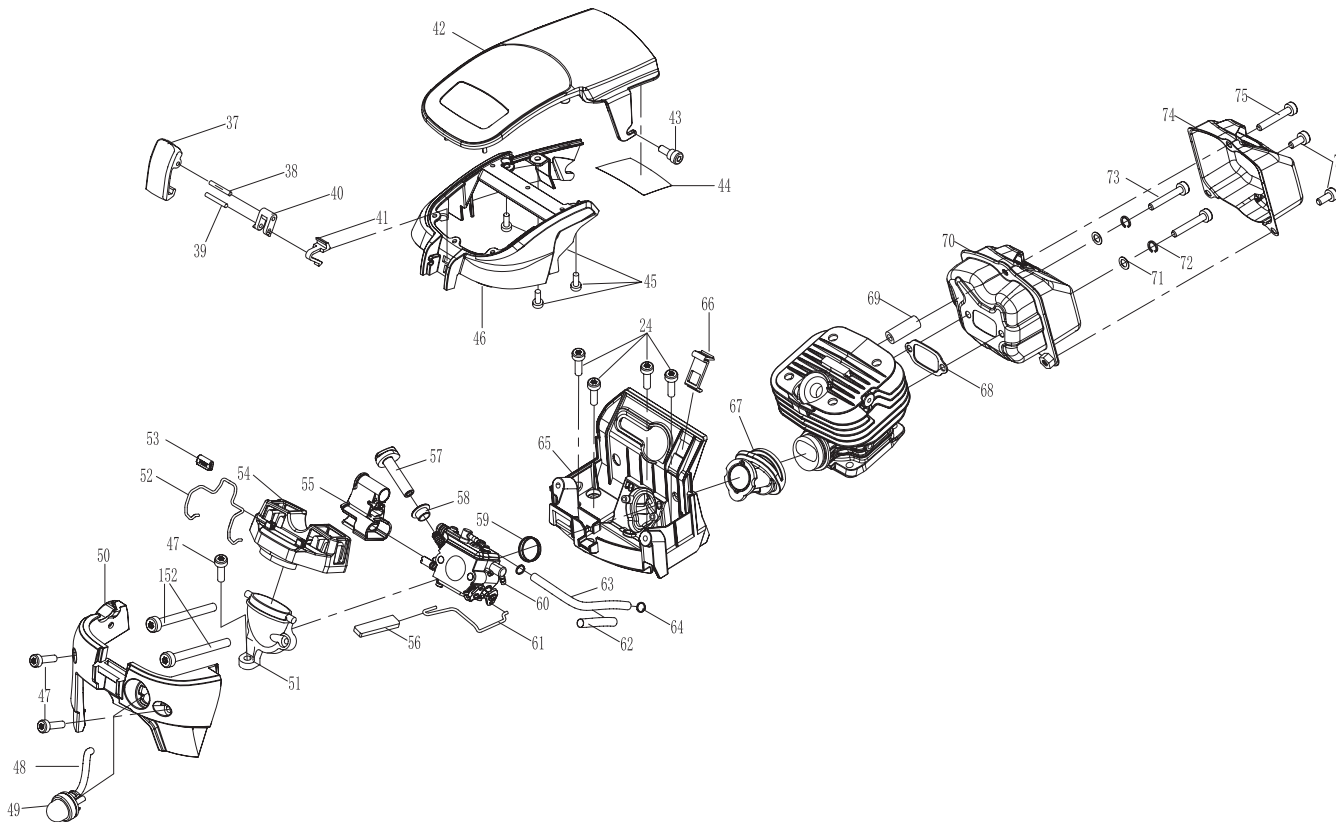
POS.	CODE	DESCRIPTION	QTY
29	A05677	O-RING	1
30	A05826	PIN FOR FRONT HANDLE GUARD	1
31	A05833	TENSIONER GEAR	1
32	A05832	TENSIONER SCREW	1
33	A05681	TENSIONER BLOCK	1
34	A05682	POSITION BLOCK	1
35	A05683	GEAR COVER	1
36	A05684	SCREW M4×10	1
151	A05913	OIL PUMP PIN	1
154	A05915	SHOCK SPRING COVER	1

TABLE 2



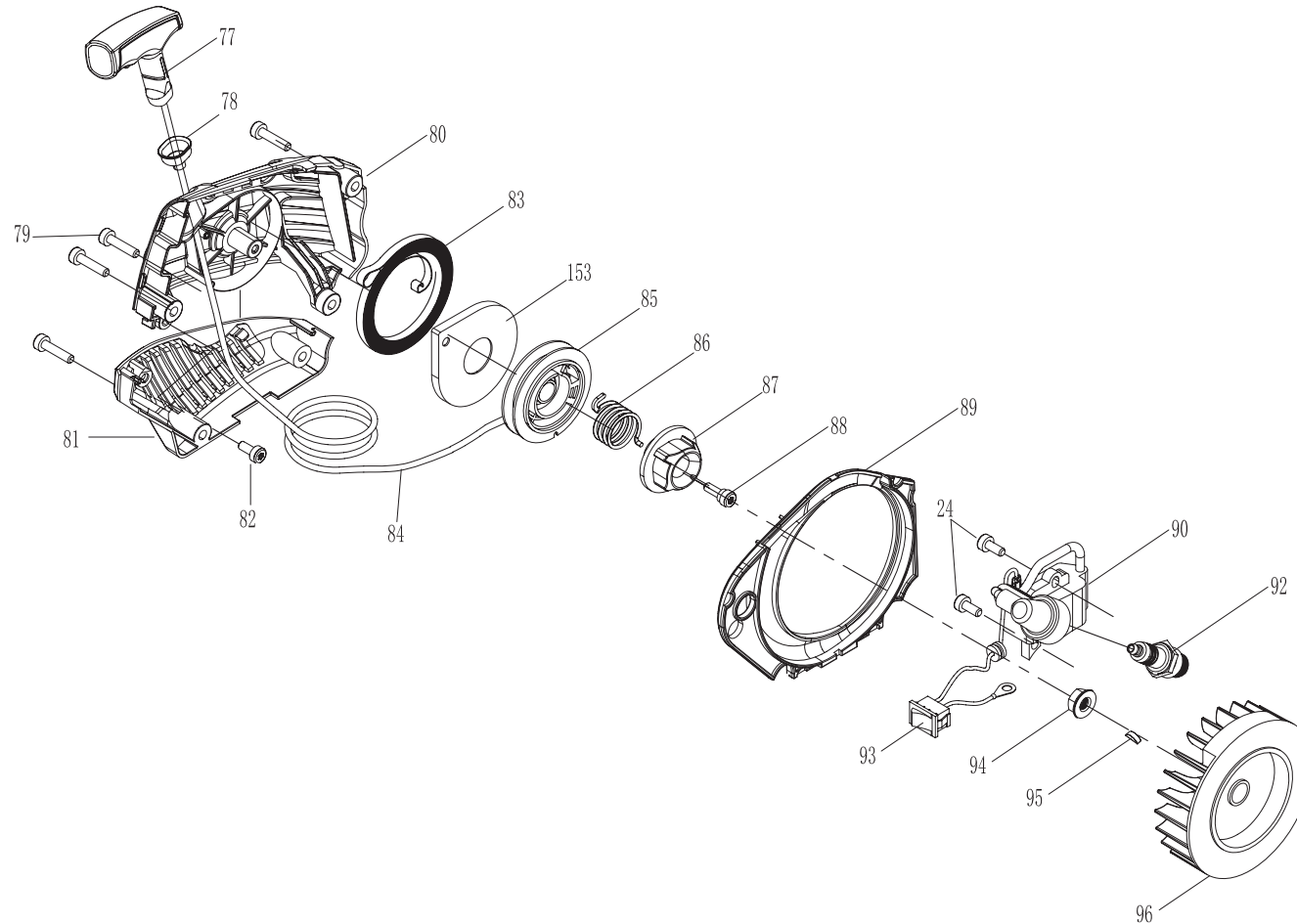
POS.	CODE	DESCRIPTION	QTY
24	A05672	SCREW M5×16	4
37	A05842	LOCK LEVER	1
38	A05686	PIN (3×22)	1
39	A05687	PIN (3×23)	1
40	A05688	TRANSFER BAR	1
41	A05689	HOOK	1
42	A05690	CYLINDER SHIELD	1
43	A05691	POSITION SCREW	1
44	A05692	TOP HEAT ISOLATION	1
45	A05693	TAPPING SCREW ST4.2×10	4
46	A05694	CYLINDER SHIELD SUPPORT	1
47	A05695	TAPPING SCREW ST5.7×16	3
48	A05696	PUMP TUBE	1
49	A05697	PRIMER BULB	1
50	A05698	REAR COVER	1
51	A05699	AIR FILTER BASE	1
52	A05700	LOCKING SPRING	1
53	A05701	LOCK KNOB	1
54	A05702	AIR FILTER	1
55	A05703	L/H GUIDER	1
56	A05704	THROTTLE KNOB	1
57	A05705	CHOKE KNOB	1
58	A05706	CHOKE KNOB BASE	1
59	A05869	SUPPORT RING	1
60	A05708	CARBURETTOR	1
61	A05709	THROTTLE ROD	1
62	A05710	HEAT ISOLATION TUBE	1
63	A05711	PRESSURE TUBE	1

TABLE 2



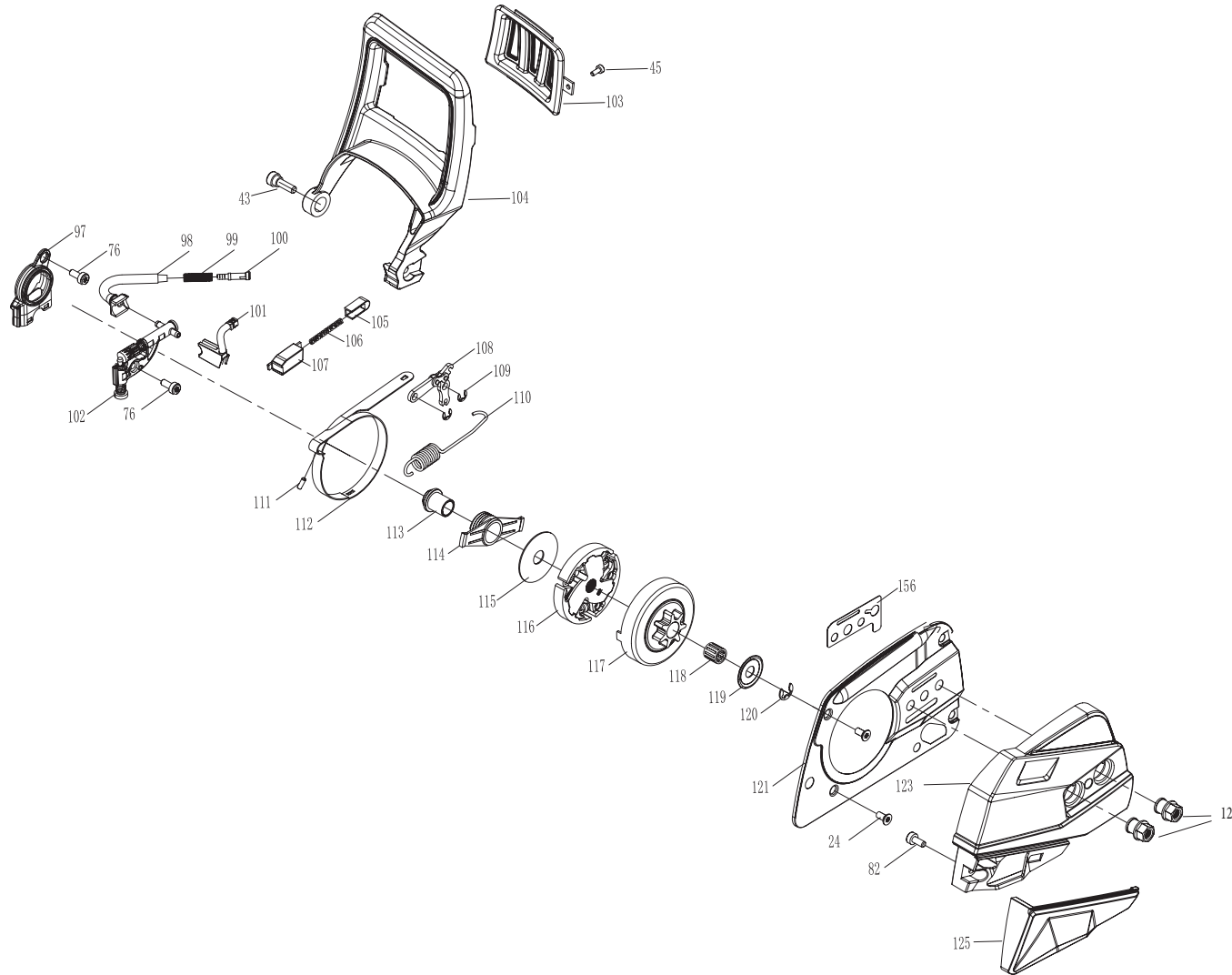
POS.	CODE	DESCRIPTION	QTY
64	A05712	CIRCLIP	2
65	A05713	CARBURETTOR SUPPORT	1
66	A05714	HOT/FREEZE CHANGE SCREEN	1
67	A05715	INTAKE PIPE	1
68	A05716	MUFFLER GASKET	1
69	A05717	SUPPORT TUBE	1
70	A05718	MUFFLER	1
71	A05720	PLAIN WASHER	2
72	A05721	SPRING WASHER	2
73	A05722	MUFFLER SCREW	2
74	A05723	MUFFLER COVER	1
75	A05724	SCREW M5×40	1
76	A05725	SCREW M5×12	2
152	A05923	SCREW M4×40	2

TABLE 3



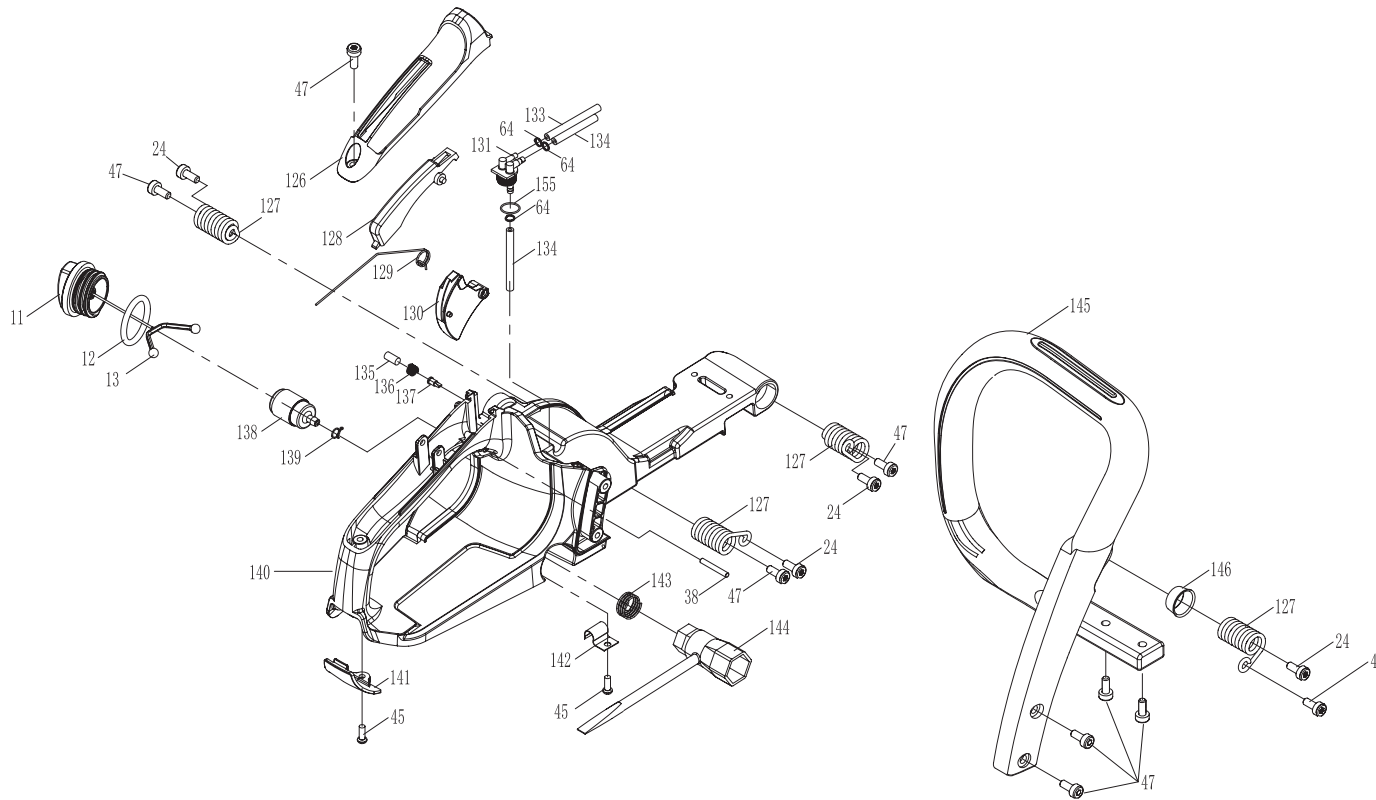
POS.	CODE	DESCRIPTION	QTY
24	A05672	SCREW M5×16	2
77	A05726	STARTER HANDLE	1
78	A05727	EYE RING	1
79	A05728	SCREW M5×25	4
80	A05729	STARTER COVER	1
81	A05730	AIR INTAKE SCREEN	1
82	A05731	TAPPING SCREW ST5.7×13	1
83	A05732	STARTER SPRING	1
84	A05733	STARTER ROPE	1
85	A05734	REEL	1
86	A05645	STARTER TORSION SPRING	1
87	A05736	STARTER RATCHET	1
88	A05647	STARTER SCREW	1
89	A05738	FLOW GUIDING COVER	1
90	A05739	IGNITION	1
92	A05741	SPARK PLUG	1
93	A05742	SWITCH	1
94	A05743	NUT M8	1
95	A06023	SEMI-CIRCLE KEY	1
96	A05903	ROTATOR	1
153	A05643	COVER STARTER SPRING	1

TABLE 4



POS.	CODE	DESCRIPTION	QTY
24	A05672	SCREW M5×16	1
43	A05691	POSITION SCREW	1
45	A05693	TAPPING SCREW ST4.2×10	2
76	A05725	SCREW M5×12	2
82	A05731	TAPPING SCREW ST5.7×13	1
97	A05746	OIL PUMP COVER	1
98	A05747	OIL TUBE	1
99	A05916	OIL FILTER SPRING	1
100	A05917	OIL FILTER	1
101	A05919	SPRAY NOZZLE	1
102	A05918	OIL PUMP	1
103	A05752	FRONT HANDLE GUARD FENCE	1
104	A05753	FRONT HANDLE GUARD	1
105	A05754	RETURN SPRING COVER	1
106	A05907	RETURN SPRING	1
107	A05908	RETURN SPRING FIXTURE	1
108	A05911	GEMEL	1
109	A05758	E-RING	2
110	A05759	BRAKE SPRING	1
111	A05760	POSITION PIN (3×8)	1
112	A05761	BRAKE STRAP	1
113	A05762	BUSH FOR WORM	1
114	A05763	WORM	1
115	A05764	WASHER FOR CLUTCH	1
116	A05765	CLUTCH	1
117	A05766	CLUTCH DRUM	1
118	A05929	NEEDLE BEARING	1
119	A05926	ANTI-FRICTION WASHER	1
120	A05769	E RING	1
121	A05770	BRAKE SPRING COVER	1
122	A05771	SCREW M5×16	2
123	A05772	CLUTCH COVER	1
124	A05936	CLUTCH COVER NUT	2
125	A05774	CHIP DISCHARGE COVER	1
156	A06302	COVER SEAL SUBPLATE	1

TABLE 5



POS.	CODE	DESCRIPTION	QTY
11	A05944	FUEL TANK CAP	1
12	A05660	O-RING	1
13	A05811	TANK CAP RETAINER	1
24	A05672	SCREW M5×16	4
38	A05686	PIN (3x22)	1
45	A05693	ST SCREW4×16	2
47	A05695	TAPPING SCREW ST5.7×16	9
64	A05712	CLIP	3
126	A05775	REAR HANDLE COVER	1
127	A05776	ANTI-VIBRATION SPRING	4
128	A05777	THROTTLE TRIGGER LOCK-OUT	1
129	A05778	THROTTLE TRIGGER SPRING	1
130	A05779	THROTTLE TRIGGER	1
131	A05780	PIPE CONNECTION	1
133	A05782	RETURN TUBE	1
134	A05783	SUPPLY TUBE	2
135	A05784	FILTER	1
136	A05785	SPRING	1
137	A05786	VENT VALVE	1
138	A05787	FUEL FILTER	1
139	A05788	CLIP	1
140	A05789	REAR HANDLE	1
141	A05790	BOTTOM COVER	1
142	A05791	STRAP SPRING	1
143	A05961	FIXTURE SPRING	1
144	A05793	SPARK PLUG WRENCH	1
145	A05794	FRONT HANDLE	1
146	A05795	SPRING BASE	1
155	A06303	O-RING	1