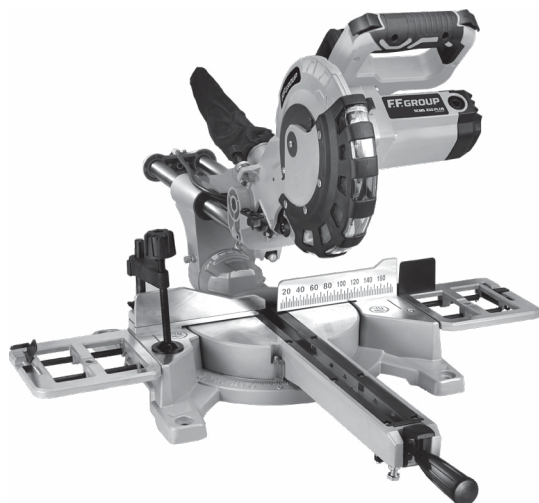


FFGROUP®



SCMS 210 PLUS

EN

ORIGINAL INSTRUCTIONS

FR

NOTICE ORIGINALE

IT

ISTRUZIONI ORIGINALI

EL

ΠΡΩΤΟΤΥΠΟ ΟΔΗΓΙΩΝ ΧΡΗΣΗΣ

SR

ORIGINALNO UPUTSTVO ZA RAD

HR

ORIGINALNE UPUTE ZA RAD

RO

INSTRUCȚIUNI DE FOLOSIRE ORIGINALE

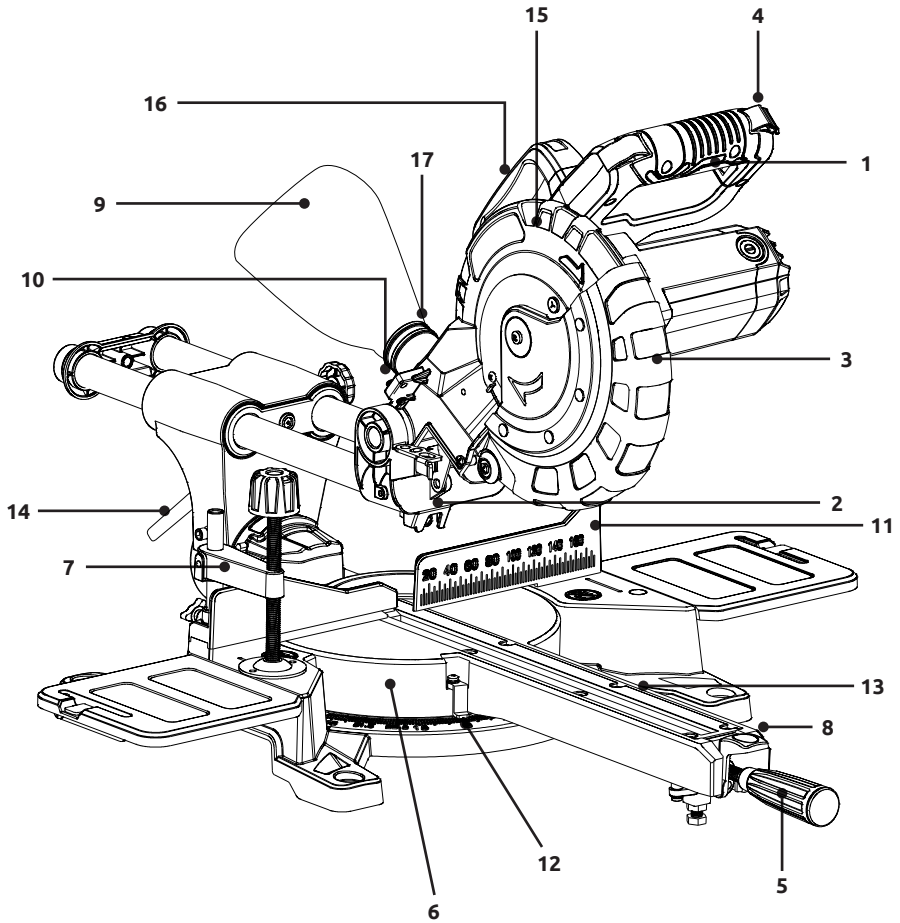
HU

EREDETI UTASÍTÁSOK

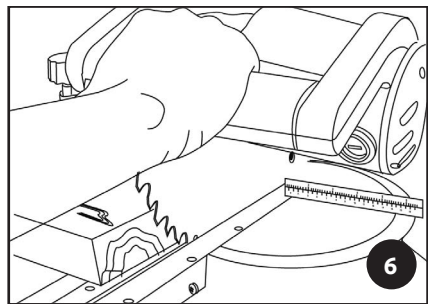
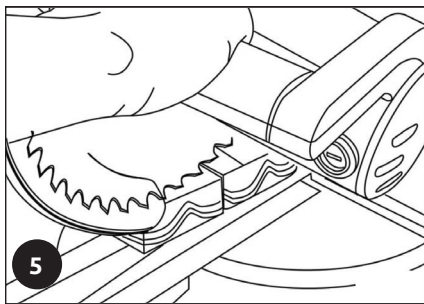
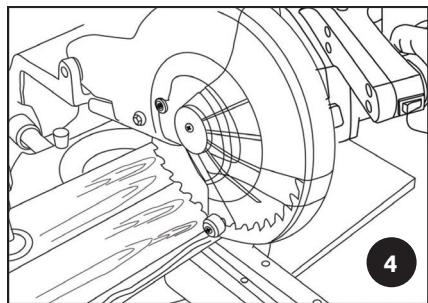
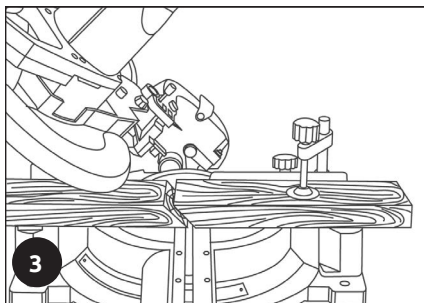
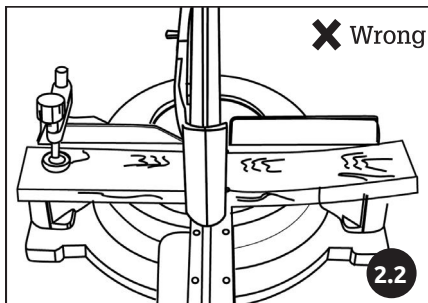
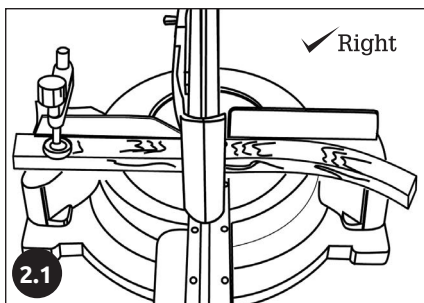
LT

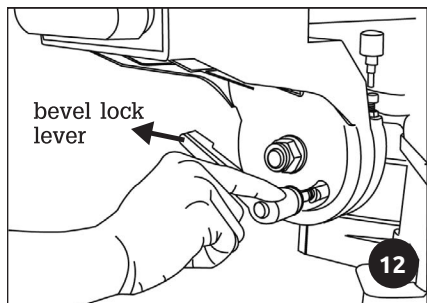
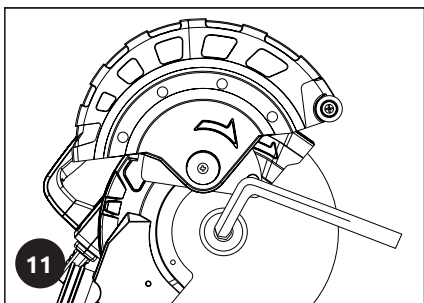
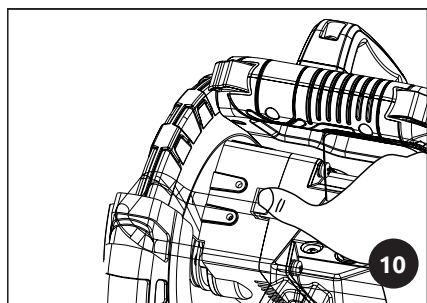
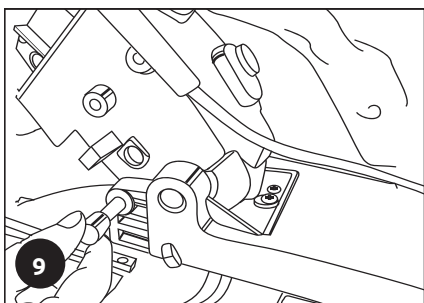
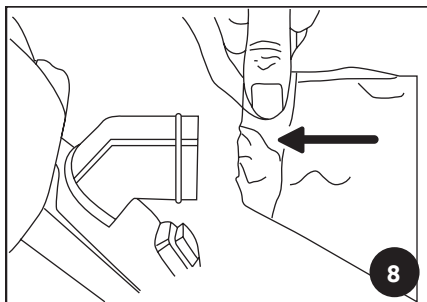
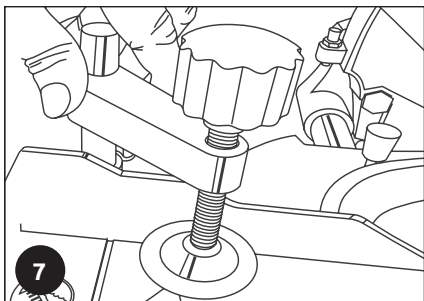
ORIGINALIOS INSTRUKCIJOS

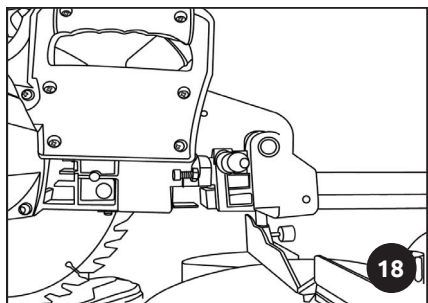
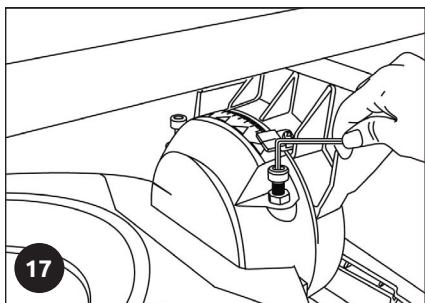
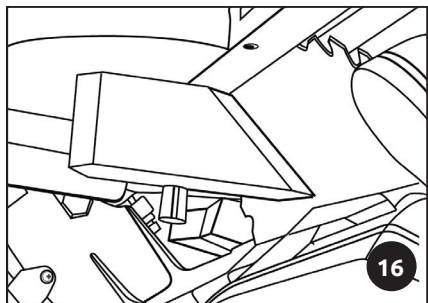
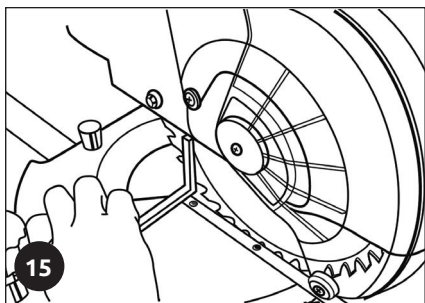
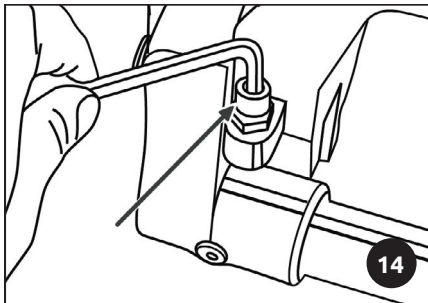
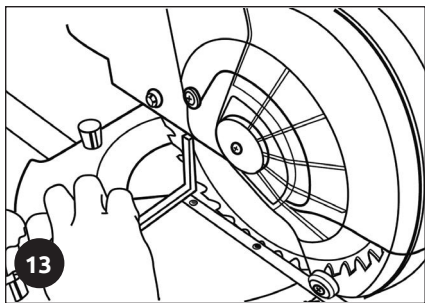
EXPLANATION OF SYMBOLS / EXPLICATION DES SYMBOLES / SPIEGAZIONE DEI SIMBOLI / ΕΠΕΞΗΓΗΣΗ ΣΥΜΒΟΛΩΝ / OBJAŠ- NENJE SIMBOLA / OBJAŠNENJE SIMBOLA / EXPLICAREA SIMBOLURILOR / SZIMBÓLUMOK JELENTÉSE / SIMBOLIŲ PAAIŠKINIMAS		08
EN	SLIDING COMPOUND MITRE SAW	10
FR	SCIE À ONGLETS RADIALE	16
IT	TRONCATRICE RADIALE	23
EL	ΦΑΛΤΣΟΠΡΙΟΝΟ RADIAL	30
SR	TESTERA ZA PANEL RADIAL	37
HR	PILA ZA PANEL PLOCE RADIAL	43
RO	FERĂSTRĂU CIRCULAR STAȚIONAR	49
HU	KIHÚZHATÓ LÉZERES GÉRVÁGÓ	55
LT	SLENKANTIS KAMPINIS PJŪKLAS	62
CE		68

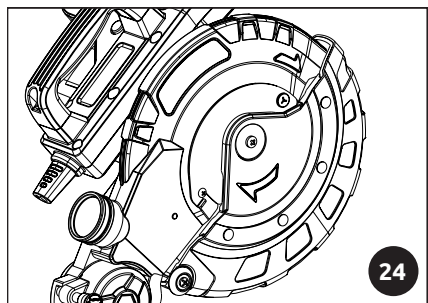
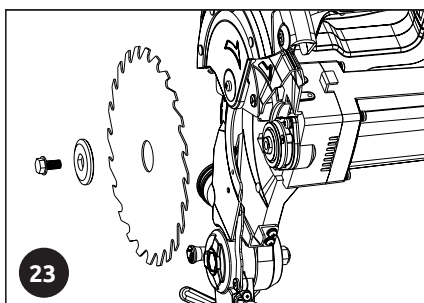
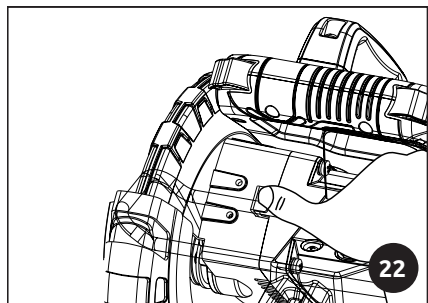
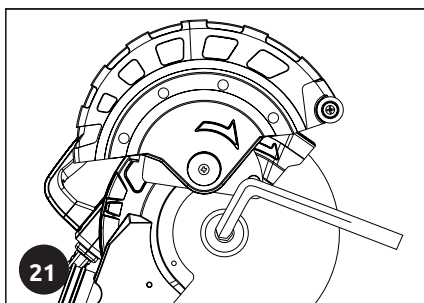
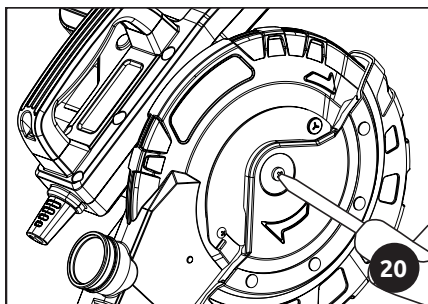
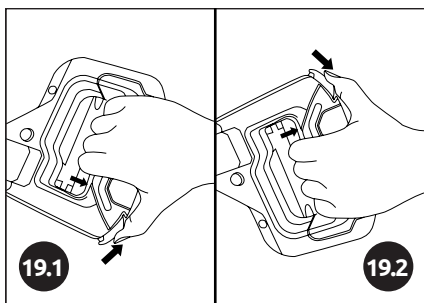















1









	ENGLISH	FRANÇAIS	ITALIANO	ΕΛΛΗΝΙΚΑ
	EXPLANATION OF SYMBOLS	EXPLICATION DES SYMBOLES	SPIEGAZIONE DEI SIMBOLI	ΕΠΕΞΗΓΗΣΗ ΣΥΜΒΟΛΩΝ
	Always read and understand the instructions before operating	Toujours lire et comprendre les instructions avant d'opérer	Leggere e comprendere sempre le istruzioni prima di operare	Διαβάστε και κατανοήστε τις οδηγίες χρήσης πάντα πριν από τη λειτουργία
	Always wear appropriate eye protection when operating	Portez toujours une protection oculaire appropriée lorsque vous utilisez	Indossare sempre un'adeguata protezione oculare quando si opera	Να χρησιμοποιείτε πάντα κατάλληλη προστασία ματιών κατά τη λειτουργία
	Always wear appropriate protective breathing mask when operating	Portez toujours un masque respiratoire protecteur approprié lors de l'opération	Indossare sempre un'adeguata maschera protettiva durante il funzionamento	Να χρησιμοποιείτε πάντα κατάλληλη μάσκα ανανθοής κατά τη λειτουργία
	Always wear appropriate ear protection when operating	Portez toujours une protection de l'oreille appropriée lors de l'exploitation	Indossare sempre protezioni adeguate quando si opera	Να χρησιμοποιείτε πάντα κατάλληλη προστασία αυτιών κατά τη λειτουργία
	Always wear appropriate eye and hearing protection when operating	Portez toujours une protection oculaire et auditive appropriée lors de l'utilisation	Indossare sempre protezioni adeguate per gli occhi e l'udito durante il funzionamento	Να χρησιμοποιείτε πάντα κατάλληλη προστασία ματιών και ακοής κατά τη λειτουργία
	Always wear appropriate hand protection when operating	Portez toujours une protection appropriée pour les mains lors de l'exploitation	Indossare sempre la protezione della mano appropriata quando si opera	Να χρησιμοποιείτε πάντα κατάλληλη προστασία χεριών κατά τη λειτουργία
	Never wear accessories or loose clothing and always tie up your hair	Ne portez jamais d'accessoires ou de vêtements amples et attachez toujours vos cheveux	Non indossare mai accessori o abiti larghi e legare sempre i capelli	Ποτέ μην φοράτε αξεσουάρ ή χαλαρές εφαρμογές ρουχισμού και δένετε πάντα τα μαλλιά σας
	Inspect the power cord regularly for damage. Remove the plug from the mains immediately if the cable is damaged or cut	Vérifiez régulièrement que le cordon d'alimentation afin de vous assurer qu'il ne soit pas endommagé. Débranchez immédiatement la prise si le câble est endommagé ou coupé	Ispezionare regolarmente il cavo di alimentazione per eventuali danni. Rimuovere immediatamente la spina dall'alimentazione se il cavo è danneggiato o tagliato	Επιθεωρείτε συχνά το καλώδιο για φθορές. Αφαιρέστε το καλώδιο από την παροχή ρεύματος σε περίπτωση που έχει υποστεί σοβαρές φθορές ή έχει κοπεί
	Do not keep or operate in wet environment	Ne pas conserver ou opérer dans un environnement humide	Non tenere o operare in un ambiente umido	Μη διατηρείτε ή λειτουργείτε σε υγρό περιβάλλον
	Important, danger, warning, or caution	Important, danger ou avertissement	Importante, pericolo o avviso	Σημαντικό, κίνδυνος ή προειδοποίηση
	Double insulation	Double insulation	Doppio isolamento	Διπλή μόνωση
	Must be recycled and should always be disposed in accordance with applicable directives	Doit être recyclé et doit toujours être éliminé conformément aux directives applicables	Deve essere riciclato e deve essere sempre smaltito secondo le direttive applicabili	Πρέπει να ανακυκλώνεται και πρέπει πάντα να απορρίπτεται σύμφωνα με τις ισχύουσες οδηγίες
	Complies with applicable safety directives and relative standards	Conforme aux directives de sécurité applicables et aux normes relatives	Conforme alle direttive di sicurezza applicabili e alle relative norme	Συμμορφώνεται με τις ισχύουσες οδηγίες ασφαλείας και τα σχετικά πρότυπα

SRPSKI	HRVATSKI	ROMÂNĂ	MAGYAR	LIETUVIŲ K.
OBJAŠNJENJE SIMBOLA	OBJAŠNJENJE SIMBOLA	EXPLICAREA SIMBOLURILOR	SZIMBÓLUMOK JELENTÉSE	SIMBOLIŲ PAAIŠKINIMAS
Uvek pročitajte i razumejte uputstva pre rada	Uvijek pročitajte i shvatite upute prije operacije	Citiți și înțelegeți întotdeauna instrucțiunile înainte de a utiliza	Használat előtt mindig olvassa el és értse meg az utasításokat	Prieš pradėdami dirbti, visada perskaitykite ir supraskite instrukcijas
Uvek nosite odgovarajuću zaštitu za oči kada radila	Uvijek nosite odgovarajuću zaštitu očiju kada djelujete	Purtați întotdeauna o protecție adecvată a ochilor atunci când acționați	Munka közben mindig viseljen megfelelő szemvédőt	Dirbdami visada dėvėkite tinkamas akių apsaugos priemonės
Uvek nosite odgovarajuću zaštitnu masku za disanje prilikom rada	Prilikom rada uvijek nosite odgovarajuću zaštitnu masku za disanje	Purtați întotdeauna o mască de respirație de protecție adecvată în timpul	Munka közben mindig viseljen megfelelő légzőmaszkot	Dirbdami visada dėvėkite tinkamą apsauginę kvėpavimo kaukę
Uvek nosite odgovarajuću zaštitu za uši kada radila	Uvijek nosite odgovarajuću zaštitu za uši prilikom rada	Purtați întotdeauna o protecție adecvată a urechii în timpul funcționării	Működés közben mindig viseljen megfelelő fülvédőt	Dirbdami visada dėvėkite tinkamas ausų apsaugos priemonės
Uvek nosite odgovarajuću zaštitu za oči i sluh prilikom rada	Tijekom rada uvijek nosite odgovarajuću zaštitu za oči i sluh	Purtați întotdeauna protecție adecvată pentru ochi și auz atunci când operați	Munka közben mindig viseljen megfelelő szem- és hallásvédőt	Dirbdami visada dėvėkite tinkamas akių ir klausos apsaugos priemonės
Uvek nosite odgovarajuću zaštitu ruku kada radila	Prilikom rada uvijek nosite odgovarajuću zaštitu ruku	Purtați întotdeauna o protecție adecvată a mâinii în timpul funcționării	Munka közben mindig viseljen megfelelő kézvédőt	Dirbdami visada dėvėkite tinkamą rankų apsaugą
Nikada ne nosite pribor ili labavu odeću i uvek vežite kosu	Nikada ne nosite dodatke ili široku odeću i uvijek vežite kosu	Nu purtați niciodată accesorii sau haine largi și legați-vă întotdeauna părul	Soha ne viseljen kiegészítőket vagy bő ruhát, és mindig kösse fel a haját	Niekada nedėvėkite aksesuarų ar laisvų drabužių ir visada suriškite plaukus
Redovno pregledavajte kabl za napajanje na oštećenje. Odmah izvadite utikač iz utičnice ako je kabl oštećen ili prerezan	Redovito provjeravajte je li kabl za napajanje oštećen. Odmah izvucite utikač iz napajanja ako je kabl oštećen ili prerezan	Inspectați în mod regulat cablul de alimentare să nu prezinte deteriorări. Scoateți imediat ștecherul din priză de rețea, în cazul în care cablul este deterioratsau tăiat	Rendszeresen ellenőrizze a tápkábelt, hogy nem sérült-e. Azonnal húzza ki a dugót a konnektorból, ha a kábel megsérül vagy elvágódott	Reguliariai tikrinkite maitinimo laidą, ar nėra pažeidimų. Nedelsdami nuimkite kištuką nuo elektros tinklo, jei kabelis pažeistas arba supjaustytas
Ne držite ili ne radite u vlažnom okruženju	Nemojte držati ili ne raditi u mokrom okruženju	Nu păstrați și nu acționați într-un mediu umeđ	Ne tárolja és ne működtesse nedves környezetben	Negalima laikyti ar veikti drėgnoje aplinkoje
Važno, opasnost ili upozorenje	Važno, opasnost ili upozorenje	Important, pericol sau avertisment	Fontos, veszély, figyelmeztetés vagy óvatosság	Svarbu, pavojus, įspėjimas ar atsargumas
Dvostruka izolacija	Dvostruka izolacija	Izolație dublă	Dupla szigetelés	Dviguba izoliacija
Mora se reciklirati i uvek ga treba raspolagati u skladu sa važećim direktivama	Mora se reciklirati i uvijek zbrinuti u skladu s važećim direktivama	Trebuie reciclat și trebuie întotdeauna eliminat în conformitate cu directivele aplicabile	Újrahasznosítani kell, és mindig a vonatkozó irányelveknek megfelelően kell ártalmatlanítani	Turi būti perdirbtas ir visada turi būti šalinamas pagal taikomas direktyvas
U skladu sa važećim bezbednosnim direktivama i relativnim standardima	U skladu s primjenjivim sigurnosnim direktivama i relativnim standardima	Respectă directivele de siguranță aplicabile și standardele aferente	Megfelel a vonatkozó biztonsági irányelveknek és a vonatkozó szabványoknak	Atitinka taikomas saugos direktyvas ir santykinius standartus

ENGLISH

GENERAL SAFETY RULES

WARNING! Read all instructions. Failure to follow all instructions listed below may result in electric shock, fire and/or serious personal injury.

SAVE THESE INSTRUCTIONS

The term "power tool" in all of the warnings listed below refers to your mains operated (corded) power tool or battery operated (cordless) power tool.

WORKPLACE

1. Keep workplace clean and well lit. Cluttered and dark workplaces invite accidents.
2. Do not operate power tools in explosive atmospheres, such as in the presence of flammable liquids, gases or dust. Power tools create sparks which may ignite the dust or fumes.
3. Keep children and bystanders away while operating a power tool. Distractions can cause you to lose control.

ELECTRICAL SAFETY

1. Power tool plugs must match the outlet. Never modify the plug in any way. Do not use any adapter plugs with earthed (grounded) power tools. Unmodified plugs and matching outlets will reduce risk of electric shock.
2. Avoid body contact with earthed or grounded surfaces such as conduits, radiators, and refrigerators. There is an increased risk of electric shock if your body is earthed or grounded.
3. Do not expose power tools to rain or wet conditions. Water entering a power tool will increase the risk of electric shock.
4. Do not abuse the cord. Never use the cord for carrying, pulling or unplugging the power tool.
5. Keep cord away from heat oil, sharp edges or moving parts. Damaged or entangled cords increase the risk of electric shock. When operating a power tool outdoors, use an extension cord suitable for outdoor use. Use of a cord suitable for outdoor use reduces the risk of electric shock.

PERSONAL SAFETY

1. Stay alert, watch what you are doing and use common sense when operating a power tool. Do not use a power tool while you are tired or under the influence of drugs, alcohol or medication. A moment of inattention while operating power tools may result in serious personal injury.
2. Use safety equipment. Always wear eye protection. Safety equipment such as dust mask, non-skid safety shoes, hard hat, or hearing protection used for appropriate conditions will reduce personal injuries.
3. Avoid suddenly starting. Ensure the switch is in the off position before plugging in. When

your finger on the switch or plugging in power tools that have the switch on invites accidents.

4. Remove any adjusting key or wrench before turning the power tool on. A wrench or a key left attached to a rotating part of the power tool may result in personal injury.
5. Do not overreach. Keep proper footing and balance at all times. This enables better control of the power tool in unexpected situations.
6. Dress properly. Do not wear loose clothing or jewellery. Keep your hair, clothing and gloves away from moving parts. Loose clothes, jewellery or long hair can be caught in moving parts.
7. If devices are provided for the connection of dust extraction and collection facilities, ensure these are connected and properly used. Use of these devices can reduce dust related hazards.

POWER TOOL USE AND CARE

1. Do not force the power tool. Use the correct power tool for your application. The correct power tool will do the job better and safer at the rate for which it was designed.
2. Do not use the power tool if the switch does not turn it on and off. Any power tool that cannot be controlled with the switch is dangerous and must be repaired.
3. Disconnect the plug from the power source before making any adjustments, changing accessories, or storing power tools. Such preventive safety measures reduce the risk of starting the power tool accidentally.
4. Store idle power tools out of the reach of children and do not allow persons unfamiliar with the power tool or these instructions to operate the power tool. Power tools are dangerous in the hands of untrained users.
5. Maintain power tools. Check for misalignment or binding of moving parts, breakage of parts and any other condition that may affect the power tools operation. If damaged, have the power tool repaired before use. Many accidents are caused by poorly maintained power tools.
6. Keep cutting tools sharp and clean. Properly maintained cutting tools with sharp cutting edges are less likely to bind and are easier to control.
7. Use the power tool, accessories and tool bits etc., in accordance with these instructions and in the manner intended for the particular type of power tool, taking into account the working conditions and the work to be performed. Use of the power tool for operations different from those intended could result in a hazardous situation.

SAFETY INSTRUCTIONS FOR MITER SAW

When using this tool should be aware of safety and must be followed to avoid the risk of equipment that may cause a fire, short circuit and accidents that occur to users. For the safety of users, please read the manual carefully before using the machine.

KEEP GUARDS IN PLACE AND IN WORKING ORDER

Never wedge or tie lower blade guard open. Check operation of lower blade guard before each use. Do not operate if lower blade guard does not close properly over saw blade.

OUTDOOR USE EXTENSION CORDS

When tool is used outdoors use only extension cords intended for use outdoors and so marked.

KEEP BLADES CLEAN AND SHARP

Sharp blades minimize stalling and kickback.

KEEP HANDS AWAY FROM CUTTING AREA

Keep hands away from blades. Do not reach underneath work while blade is rotating. Do not attempt to remove cut material when blade is moving.

WARNING

Blades coast after turning off.

INSPECT TOOL CORDS PERIODICALLY

If damaged, have repaired by authorized service centre. Stay constantly aware of cord location and keep it well away from rotating blade.

USE RIP FENCE

Always use a fence or straight edge guide when ripping.

BEFORE MAKING A CUT

Be sure the depth, bevel and miter adjustments are tight.

USE CORRECT BLADES

Do not use blades with incorrect size holes. Never use blade washers or bolts that are defective or incorrect. The maximum blade capacity of your saw is 254mm.

AVOID CUTTING NAILS

Inspect and remove all nails from timber before cutting.

NEVER

Touch the blade or moving parts during use.

NEVER

Start the saw when the blade is in contact with the work piece.

LASER LIGHT. LASER RADIATION

Do not stare into beam. Only turn laser beam on when tool is on work piece.

PRODUCT SPECIFICATIONS

INTENDED USE

Cross cutting wood & plastic Cross cutting miters, joints, etc., for picture frames, moldings, door casings and fine joinery. Use aluminium blade for aluminium cutting only.

NOTE

The crosscut blade provided is for most wood cutting operations.

TECHNICAL DATA

Article number	46 041	
Model	SCMS 210 PLUS	
Rated Voltage	V	220-240
Frequency	Hz	50/60
Input Power	W	1.450
No load speed	min ⁻¹	5.000
Blade size	mm	210x1,8
Max cutting capacity 0° /90°	mm	62x310
Max cutting capacity 0° /45°	mm	34x310
Max cutting capacity 45° /90°	mm	62x215
Max cutting capacity 45° /45°	mm	34x215
Weight	kg	11,0

Sound emission values determined according to EN 62841-1, EN 62841-3-9

Typically the A-weighted noise levels of the product are:

Sound pressure level	dB(A)	70
Sound power level	dB(A)	80
Uncertainty K	dB	3

Vibration total values ah (triax vector sum) and uncertainty K determined according to EN 62841-1, EN 62841-3-9

Vibration level max:

a _h	m/s ²	2,5
K	m/s ²	1,5

IDENTIFICATION (FIG. 1)

1. ON/OFF switch
2. Laser
3. Blade guard
4. Safety switch
5. Miter adjustment handle
6. Miter table
7. Clamp assembly
8. Miter lock
9. Dust bag
10. Trenching depth adjustment screw
11. Fence
12. Mitre scale
13. Table insert (kerf plate)
14. Bevel lock

15. Upper fixed blade guard
16. Carrying handle
17. Dust extraction port

OPERATION

WARNING

Before starting any cutting operations, bolt your compound mitre saw to a workbench. Never operate your mitre saw on the floor or in a crouched position. Failure to heed this warning can result in serious personal injury.

WARNING

Use the vice to secure your work piece remain free on one side of the blade to prevent the blade from binding in work piece. The work piece binding blade will cause motor stalling and kickback. This situation could cause an accident resulting in serious personal injury.

CROSSCUTTING

A crosscut is made by cutting across the grain of the work piece. A 90° crosscut is made with the mitre table set at the zero degree position. Mitre crosscuts are made with the mitre table set at some other angle other than zero.

1. Pull out the lock pin and lift the saw head to its full height.
2. Unlock the mitre table.
3. Rotate the mitre table until the pointer aligns with the desired angle on the mitre scale.
4. Lock the mitre table lock knob.

NOTE

You can quickly locate 0, 5, 10, 15, 22.5, 25, 31.35, 40, 45° left or right on the scale.

5. The mitre table can be seated in one of the positive stop notches, located in the mitre table frame. Place the work piece flat on the mitre table with one edge securely against the fence. If the concave edge of a board is placed against the fence, the board could collapse on the blade at the end of the cut, jamming the blade.
6. When cutting long pieces of timber or molding, support the opposite end of the stock with the material supports.
7. Align cutting line on the work piece with the edge of saw blade.
8. Use the vice to secure the work piece (Fig. 2.1, Fig. 2.2).

WARNING

To avoid serious personal injury, keep your hands outside the no hands zone; at least 75mm from blade. Never perform any cutting operation freehand (without holding workpiece against the fence). The blade could grab the workpiece if it slips or twists.

9. Before turning on the saw, perform a dry run of the cutting operation just to make sure that no problems will occur when the cut is made.
10. Grasp the saw handle firmly, squeeze the trigger. Allow several seconds for the blade to reach maximum speed.

11. Press laser on/off switch to turn the laser on.
12. Press the lower guard release lever and then slowly lower the blade into and through the work piece.
13. Release the trigger and allow the saw blade to stop rotating before raising the blade out of the work piece.

BEVEL CUT (FIG. 3)

A bevel cut is made by cutting across the grain of the work piece with the blade angled to the fence and mitre table. A bevel cut is made with the mitre table set at zero degree position and the blade set at an angle between 0° and 45°.

1. Pull out the lock pin and lift the saw head to its full height.
2. Loosen the mitre table locking handle.
3. Rotate the mitre table until the pointer aligns with zero on the mitre scale.
4. Lock the mitre table by rotating the mitre table lock knob in a clockwise direction.

WARNING

To avoid serious personal injury, always push the mitre table clamp back down before making a cut. Failure to do so could result in movement of the mitre table while making a cut causing serious personal injury.

5. Loosen the bevel lock lever and move the saw head to the left to the desired bevel angle.
6. Bevel angles can be set from 0° to 45°.
7. Align the indicator point with the desired angle.
8. Once the saw arm has been set at the desired angle, securely tighten the bevel lock lever.
9. Place the work piece flat on the mitre table with one edge securely against the fence. If the board is warped, place the convex side against the fence. If the concave edge of the board is placed against the fence, the board could collapse on the blade at the end of the cut, jamming the blade.
10. When cutting long pieces of timber or molding, support the overhanging end(s) of the stock with the material supports.
11. Align cutting line on the work piece with the edge of saw blade.
12. Grasp the stock firmly with one hand and secure it against the fence. Tighten vice to secure the work piece.

WARNING

To avoid serious personal injury, keep your hands outside the no hands zone; at least 75mm from the blade. Never perform any cutting operation freehand (without holding workpiece against the fence). The blade could grab the workpiece if it slips or twists.

13. Before turning on the saw, perform a dry run of the cutting operation just to make sure that no problems will occur when the cut is made.
14. Grasp the saw handle firmly, then squeeze the trigger. Allow several seconds for the blade to reach maximum speed.

15. Press the laser on/off switch to turn the laser on.
16. Unlock the safety knob of locking lower guard and then slowly lower the blade into and through the work piece.
17. Release the trigger and allow the saw blade to stop rotating before raising the blade out of work piece.

COMPOUND MITRE CUT

A compound mitre cut is a cut made using a mitre angle and a bevel angle at the same time. This type of cut is used to make picture frames, cut molding, make boxes with sloping sides, and for certain roof framing cuts. To make this type of cut the mitre table must be rotated to the correct angle and the saw arm must be tilted to the correct bevel angle. Care should always be taken when making compound mitre setups due to the interaction of the two angle setting. Adjustments of mitre and bevel settings are interdependent with one another. Each time you adjust the mitre setting you change the effect of the bevel setting. Also, each time you adjust the bevel setting you change the effect of the mitre setting. It may take several settings to obtain the desired cut. The first angle setting should be checked after setting the second angle, since adjusting the second angle affects the first.

Once the two correct settings for a particular cut have been obtained, always make a test cut in scrap wood before making a finish cut in good wood.

1. Pull out the lock pin and lift the saw head to its full height.
2. Loosen the mitre table lock knob.
3. Rotate the mitre table until the pointer aligns with the desired angle on the mitre scale.
4. Tighten the mitre table lock knob.
5. Loosen the bevel lock lever and move the saw arm to the left to the desired bevel angle.
6. Bevel angles can be set from 0° to 45°.
7. Align the indicator point with the desired angle.
8. Once the saw arm has been set at the desired angle, securely tighten the bevel lock lever.
9. Place the work piece flat on the mitre table with one edge securely against the fence. If the board is warped, place the convex side against the fence, if the concave edge of the board is placed against the fence, the board could collapse on the blade at the end of the cut, jamming the blade.
10. When cutting long pieces of timber or molding, support the opposite end of the stock with the material supports.
11. Align the cutting line on the work piece with the edge of saw blade.
12. Grasp the stock firmly with one hand and secure it against the fence. Tighten the vice to secure the work piece.
13. Before turning on the saw, perform a dry run of the cutting operation just to make sure that no problems will occur when the cut is made.
14. Press the laser on/off switch to turn the laser

on.

15. Grasp the saw handle firmly, and then squeeze the trigger. Allow several seconds for the blade to reach maximum speed.
16. Release the trigger and allow the saw blade to stop rotating before raising the blade out of work piece.

CUTTING LARGER WORKPIECES WITH SLIDE ACTION

1. When cutting large work pieces with the slide action, the work piece is placed squarely against the rear fence and is firmly locked in the vice.
2. Grasp the saw handle firmly (Fig. 4).
3. Slide the cutting head away from the rear fence to the outer most position, and then depress the trigger (Fig. 5).
4. Slowly lower the blade into and through the work piece and push the cutting head to have the blade through the larger work piece towards the rear fence (Fig. 6).

WARNING

Never place undue force on the saw handle in a right or left direction as this will misalign the head and result in an inaccurate cut.

LASER BEAM

The light from the laser beam gives you a guideline showing precisely a line where the blade has to cut on the work piece from the table. The laser beam can be switched on as required:

Press laser on/off switch to turn the laser on and press the switch again to turn the laser off. The network cable supplies power to the laser. The laser beam should be aligned before being used for the first time. Set bench to angle position 0°. Loosen off laser-alignment screw slightly. Switch the laser on and align the beam so that it points. Exactly at the 0° gauge mark of mitre cut adjuster.

APPLICATIONS

To prevent accidental starting that could cause possible serious personal injury, assemble all parts, and make sure all warnings: adjustments are complete, make sure all fasteners are secure before connecting saw to power supply. Saw should never be connected to power supply when you are assembling parts, making adjustments, installing or removing blades, or when not in use.

VICE ATTACHMENT (FIG. 7)

To attach the vice, push the round attachment rod into the vice attachment hole and turn the rear locking knob in a clockwise direction to lock.

DUST BAG (FIG. 8)

Attach the dust bag by pressing the two metal springs together.

LOCK DOWN PIN (FIG. 9)

Your machine features a lock down pin for easier transportation. To unlock the head pull the pin out and pull the saw arm to the upright position. To prevent sliding movement of the saw head during transportation, lock the slide lock knob as shown in.

0-45° MITRE ADJUSTMENT

Your machine mitre cuts from 0° to 45° both right and left, with positive stops at 0, 5, 10, 15, 22.5, 25, 31.35, 40, 45°. Loosen the mitre table lock knob and move the mitre table to the desired cutting angle. Retighten the mitre table lock knob to lock table in position.

FENCE

The rear fence on your slide compound mitre saw has been provided to hold your work piece securely against when making all cuts.

SELF-RETRACTING LOWER BLADE GUARD

The lower blade guard is made of shock-resistant, see-through plastic that provides protection from each side of the blade. It retracts over the upper blade guard as the saw is lowered into the work piece.

WARNING: Your slide compound mitre saw has 4 holes for mounting to the workbench. Always make sure your compound mitre saw is securely mounted to a workbench or an approved work stand. Failure to do so could result in an accident causing serious personal injury.

ELECTRICAL CONNECTION

Your saw has a precision built electric motor. It should be connected to a power supply that is 240 volts AC, 50-60Hz, only (normal household current). Do not operate this tool on direct current (DC). A substantial voltage drop will cause a loss of power and the motor will overheat. If your tool does not operate when plugged into an outlet, double check the power supply.

WARNING

The operation of any power tool can result in foreign objects being thrown into your eyes, which can result in severe eye damage. Before beginning power tool operation, always wear safety goggles or safety glasses with side shields and a full face shield when needed. We recommend a Wide Vision Safety Mask for use over eyeglasses or standard safety glasses with side shields.

WARNING

Do not attempt to modify this tool or create accessories not recommended for use with this tool. Any such alteration or modification is misuse and could result in a hazardous condition leading to possible serious personal injury.

ADJUSTMENT

Your compound mitre saw has been adjusted at the factory for making very accurate cuts.

However, some of the components might have been jarred out of alignment during shipping. Also, over a period of time, readjustment will probably become necessary due to wear.

After unpacking your saw, check the following adjustments before you begin using saw. Make any readjustments that are necessary and periodically check the parts alignment to make sure that your saw is cutting accurately.

WARNING

To prevent accidental starting that could cause possible serious personal injury, assemble all parts to your saw before connecting it to the power supply. The saw should never be connected to power supply when you are assembling parts, making adjustments, installing or removing blades, or when not in use.

REPLACING BLADE**DANGER**

A 254mm x 2.0mm diameter blade is the maximum blade capacity of your saw. Never use a blade that is too thick to allow outer blade washer to engage with the flats on the spindle. Remove lower blade arm screw and loosen the screw on the blade bolt cover until the lower blade guard assembly can be raised to expose the blade bolt.

1. Depress the spindle lock button while rotating the blade. The spindle lock button will engage the spindle lock (Fig. 10).
2. Remove the blade bolt and outer blade flange and replace the blade. Use wrench to loosen the blade bolt. Please Note-this is a left hand thread, so loosen in a COUNTERCLOCKWISE direction. Reattach the outer blade flange and secure the blade bolt tightly and reattach the lower blade guard (Fig. 11).

WARNING

If the inner blade washer has been removed, replace it before placing blade on spindle. Failure to do so could cause an accident since the blade will not tighten properly.

CAUTION

Always install the blade with the blade teeth pointing in a downward direction.

SQUARING THE BLADE TO THE MITRE TABLE AT 0°

Pull the saw arm all the way down and engage the lock down pin to hold the saw arm in the transport position. Unlock the bevel lock lever and move the saw arm to the 0° position and lock the bevel lock lever (Fig. 12).

Lay the set square on the mitre table and against the blade. If the blade and mitre table do not align adjust as follows (Fig. 13).

1. Unscrew the 0° bevel positioning bolt at the right hand side as shown (Fig. 14).
2. Correctly align the blade and mitre table using the set square and lock the bevel lock lever.
3. Move the saw arm until the pointer bottoms out at the 0° bevel position and tighten the 0° bevel positioning bolt. Check 0° angle by using 90° set square from the table to the blade. If the table and blade do not align, readjust the 0°

bevel positioning bolt until aligned then adjust the pointer to 0° mark and secure by tightening the pointer screw (Fig.15).

SQUARING THE BLADE TO THE MITRE TABLE AT 45°

1. Move the saw arm to the 45° bevel position (Fig.16).
2. If the saw arm cannot reach a full 45° position, the 45° bevel positioning bolt will have to be reset (Fig.17).
3. When the saw arm is moved out at the 45° bevel position, check 45° angle by using a 45° set square from the table to the blade. If the table and blade do not align, readjust the
4. 45° positioning bolt until aligned. Adjust the pointer to 45° mark again and fix it by tightening the pointer screw.

DEPTH OF CUT ADJUSTMENT

1. Unplug the power cord.
2. To adjust the depth of cut, either a wrench or adjustable wrench to loosen the hex nut will need to be applied.
3. Use a hex key to adjust the depth of cut adjustment screw. The saw blade can be lowered by turning the screw counterclockwise and can be raised by turning the screw clockwise.
4. Lower the blade into the throat plate of mitre table, then check the blade clearance and maximum cutting distance (which is the distance measured from the fence where the blade enters) to the front of mitre table slot.
5. Readjust if necessary.
6. Tighten the hex nut.
7. To prevent the depth of cut adjustment screw from turning, while tightening the hex nut, carefully hold it with the hex key when tightening the hex nut (Fig.18).

TURNING ON AND OFF (FIG. 19.1, FIG. 19.2)

1. To turn the saw on depress and hold the on/off trigger switch.
2. To turn the saw off release the on/off trigger switch.

TURNING ON AND OFF

1. With a screwdriver loosen and remove the screw that secures the blade bolt cover (Fig. 20).
2. Pull the rotating blade guard down then swing it up together with the blade bolt cover. When the rotating blade guard is positioned over the upper fixed blade guard it is possible to access the blade bolt (Fig. 21).
3. Hold the rotating guard up and press the spindle lock button. Rotate the blade until the spindle locks (Fig. 22).
4. Use the hex key provided to loosen and remove the blade bolt. (Loosen in a clockwise direction as the blade screw has a left hand thread) (Fig. 23).
5. Lower the blade guard, hold the rotating lower blade guard and blade bolt cover in position and tighten the fixing screw (Fig. 24).

TOOL MAINTENANCE

1. Before any work on the machine itself, pull the power plug or take out of the battery pack
2. Use clean cloths and mild soap to remove dirt, dust, etc.
3. Never use gasoline, benzene, diluent, alcohol or similar to clean tools, otherwise will cause the tools discoloration, deformation, or cracking.
4. Keep the vents clean. Clean all parts of the tool, clean dust periodically to prevent debris from entry.
5. All service **MUST** only be performed by Authorize Service Centre.

WARNING

Do not allow the water enter the motor and the tool full immersed in the ware, which will result in motor malfunction and electric shock.

WARNING

Do not allow the water enter the motor and the tool full immersed in the ware, which will result in motor malfunction and electric shock.

ENVIRONMENTAL PROTECTION

Recycle raw materials instead of disposing as waste. Machine, accessories and packaging should be sorted for environment - friendly recycling. The plastic components are labeled for categorized recycling.

WARRANTY

This product is warranted in accordance with the legal/country specific regulations, effective from the date of purchase by the first user. Damage attributable to normal wear and tear, overload or improper handling will be excluded from the warranty. In case of a claim, please send the machine, completely assembled, to your dealer or the service center for electric power tools.

FRANÇAIS

RÈGLES GÉNÉRALES DE SÉCURITÉ

AVERTISSEMENT! Lisez toutes les instructions. Le non-respect de toutes les instructions ci-dessous peut entraîner un choc électrique, un incendie et / ou des blessures graves.

CONSERVEZ CES INSTRUCTIONS

Le terme «outil électrique» dans tous les avertissements énumérés ci-dessous se réfère à votre outil électrique alimenté sur secteur (filaire) ou sur batterie (sans fil).

LIEU DE TRAVAIL

1. Gardez le lieu de travail propre et bien éclairé. Les lieux de travail encombrés et sombres invitent aux accidents.
2. N'utilisez pas d'outils électriques dans des atmosphères explosives, par exemple en présence de liquides, gaz ou poussières inflammables. Les outils électriques créent des étincelles qui peuvent enflammer la poussière ou les vapeurs.
3. Tenez les enfants et les spectateurs éloignés lors de l'utilisation d'un outil électrique. Les distractions peuvent vous faire perdre le contrôle.

SÉCURITÉ ÉLECTRIQUE

1. Les fiches des outils électriques doivent correspondre à la prise. Ne modifiez en aucun cas la fiche. N'utilisez pas de fiches d'adaptateur avec des outils électriques mis à la terre. Des fiches non modifiées et des prises correspondantes réduiront le risque de choc électrique.
2. Évitez tout contact corporel avec des surfaces mises à la terre ou mises à la terre telles que des conduits, des radiateurs et des réfrigérateurs. Il existe un risque accru de choc électrique si votre corps est mis à la terre.
3. N'exposez pas les outils électriques à la pluie ou à des conditions humides. L'eau pénétrant dans un outil électrique augmentera le risque de choc électrique.
4. N'abusez pas du cordon. N'utilisez jamais le cordon pour transporter, tirer ou débrancher l'outil électrique.
5. Tenez le cordon éloigné de l'huile chaude, des arêtes vives ou des pièces mobiles. Les cordons endommagés ou emmêlés augmentent le risque de choc électrique. Lorsque vous utilisez un outil électrique à l'extérieur, utilisez une rallonge adaptée à une utilisation en extérieur. L'utilisation d'un cordon adapté à une utilisation en extérieur réduit le risque de choc électrique.

SÉCURITÉ PERSONNELLE

1. Restez vigilant, surveillez ce que vous faites et faites preuve de bon sens lorsque vous utilisez un outil électrique. N'utilisez pas d'outil électrique si vous êtes fatigué ou sous l'influence de drogues, d'alcool ou de médicaments. Un

moment d'inattention lors de l'utilisation d'outils électriques peut entraîner des blessures graves.

2. Utilisez un équipement de sécurité. Portez toujours des lunettes de protection. Un équipement de sécurité tel qu'un masque anti-poussière, des chaussures de sécurité antidérapantes, un casque ou une protection auditive utilisé dans des conditions appropriées réduira les blessures personnelles.
3. Empêchez tout démarrage involontaire. Assurez-vous que l'interrupteur est en position d'arrêt avant de le connecter à la source d'alimentation et / ou à la batterie, de prendre ou de transporter l'outil. Porter des outils électriques avec votre doigt sur l'interrupteur ou des outils électriques sous tension dont l'interrupteur est allumé provoque des accidents.
4. Retirez toute clé de réglage ou clé avant d'allumer l'outil électrique. Une clé ou une clé laissée attachée à une partie rotative de l'outil électrique peut entraîner des blessures.
5. N'exagérez pas. Gardez une bonne assise et un bon équilibre à tout moment. Cela permet un meilleur contrôle de l'outil électrique dans des situations inattendues.
6. Habillez-vous correctement. Ne portez pas de vêtements amples ni de bijoux. Gardez vos cheveux, vos vêtements et vos gants éloignés des pièces mobiles. Les vêtements amples, les bijoux ou les cheveux longs peuvent être pris dans les pièces mobiles.
7. Si des dispositifs sont fournis pour le raccordement d'installations d'extraction et de collecte de poussière, assurez-vous qu'ils sont connectés et correctement utilisés. L'utilisation de ces appareils peut réduire les risques liés à la poussière.

UTILISATION ET ENTRETIEN DES OUTILS ÉLECTRIQUES

1. Ne forcez pas l'outil électrique. Utilisez l'outil électrique adapté à votre application. L'outil électrique approprié fera le travail mieux et plus sûrement à la vitesse pour laquelle il a été conçu.
2. N'utilisez pas l'outil électrique si l'interrupteur ne permet pas de l'allumer et de l'éteindre. Tout outil électrique qui ne peut pas être contrôlé avec l'interrupteur est dangereux et doit être réparé.
3. Débranchez la fiche de la source d'alimentation avant d'effectuer des réglages, de changer d'accessoires ou de ranger des outils électriques. De telles mesures de sécurité préventives réduisent le risque de démarrage accidentel de l'outil électrique.
4. Rangez les outils électriques hors de portée des enfants et ne laissez aucune personne ne connaissant pas l'outil électrique ou ces instructions utiliser l'outil électrique. Les outils électriques sont dangereux entre les mains d'utilisateurs non formés.
5. Entretenez les outils électriques. Vérifiez

le mauvais alignement ou le coincement des pièces mobiles, la rupture de pièces et toute autre condition pouvant affecter le fonctionnement des outils électriques. S'il est endommagé, faites réparer l'outil électrique avant de l'utiliser. De nombreux accidents sont causés par des outils électriques mal entretenus.

6. Gardez les outils de coupe affûtés et propres. Les outils de coupe correctement entretenus avec des arêtes de coupe tranchantes sont moins susceptibles de se coincer et sont plus faciles à contrôler.
7. Utilisez l'outil électrique, les accessoires et les embouts, etc., conformément à ces instructions et de la manière prévue pour le type particulier d'outil électrique, en tenant compte des conditions de travail et des travaux à effectuer. L'utilisation de l'outil électrique pour des opérations différentes de celles prévues pourrait entraîner une situation dangereuse.

CONSIGNES DE SÉCURITÉ POUR SCIE À ONGLET

Lors de l'utilisation de cet outil, il faut être conscient de la sécurité et doit être suivi pour éviter le risque d'équipement qui pourrait provoquer un incendie, un court-circuit et des accidents survenant aux utilisateurs. Pour la sécurité des utilisateurs, veuillez lire attentivement le manuel avant d'utiliser la machine.

GARDER LES PROTECTIONS EN PLACE ET EN ORDRE DE FONCTIONNEMENT

Ne calez ou n'attachez jamais le protège-lame inférieur ouvert. Vérifiez le fonctionnement du protège-lame inférieur avant chaque utilisation. Ne pas utiliser si le protège-lame inférieur ne se ferme pas vivement au-dessus de la lame de scie.

CORDONS D'EXTENSION POUR USAGE EXTÉRIEUR

Lorsque l'outil est utilisé à l'extérieur, n'utilisez que des rallonges destinées à être utilisées à l'extérieur et ainsi marquées.

GARDER LES LAMES PROPRES ET AFFÛTÉES

Les lames tranchantes minimisent le calage et le rebond.

GARDER LES MAINS À L'ÉCART DE LA ZONE DE COUPE

Gardez les mains éloignées des lames. Ne passez pas la main sous la pièce pendant que la lame tourne. N'essayez pas d'enlever le matériau coupé lorsque la lame est en mouvement.

AVERTISSEMENT: les lames tournent après la mise hors tension.

INSPECTEZ RÉGULIÈREMENT LES CORDONS D'OUTILS

S'il est endommagé, faites-le réparer par un centre de service agréé. Restez constamment au courant de l'emplacement du cordon et tenez-le à l'écart de la lame en rotation.

UTILISER LE RIP FENCE

Utilisez toujours une clôture ou un guide de bord droit lors du déchirement.

AVANT DE FAIRE UNE COUPE

Assurez-vous que les réglages de profondeur, de biseau et d'onglet sont serrés.

UTILISER DES LAMES CORRECTES

N'utilisez pas de lames avec des trous de taille incorrecte. N'utilisez jamais de rondelles ou de boulons de lame défectueux ou incorrects. La capacité maximale de la lame de votre scie est de 254 mm.

ÉVITEZ DE COUPER LES ONGLES

Inspectez et enlevez tous les clous du bois avant de couper.

JAMAIS

Touchez la lame ou les pièces mobiles pendant l'utilisation.

JAMAIS

Démarrez la scie lorsque la lame est en contact avec la pièce à travailler.

LUMIÈRE LASER. RADIATION LASER

Ne pas fixer le faisceau. N'activez le faisceau laser que lorsque l'outil est sur la pièce à usiner.

SPÉCIFICATIONS DU PRODUIT

UTILISATION PRÉVUE

Coupe transversale du bois et du plastique Coupe croisée des onglets, joints, etc., pour cadres, moulures, chambranles de porte et menuiseries fines. Utilisez une lame en aluminium uniquement pour la coupe de l'aluminium.

REMARQUE: La lame de coupe transversale fournie est pour la plupart des opérations de coupe de bois.

SPÉCIFICATIONS TECHNIQUES

N° d' article	46 041	
Modèle	SCMS 210 PLUS	
Tension	V	220-240
Fréquence	Hz	50/60
Puissance nominale	W	1.450
Vitesse hors charge	min ⁻¹	5.000
Taille de la lame	mm	210x1,8
Capacité de coupe max 0° / 90°	mm	62x310
Capacité de coupe max 0° / 45°	mm	34x310
Capacité de coupe max 45° / 90°	mm	62x215
Capacité de coupe max 45° / 45°	mm	34x215
Poids	kg	11,0

Valeurs d'émissions sonores déterminées selon la norme EN 62841-1, EN 62841-3-9

Les mesures réelles (A) des niveaux sonores de l'appareil sont:

Niveau de pression acoustique	dB(A)	70
Niveau d'intensité acoustique	dB(A)	80
Incertitude K	dB	3

Valeurs totales des vibrations ah (somme vectorielle des trois axes directionnels) et incertitude K relevées conformément à la norme EN 62841-1, EN 62841-3-9

Valeurs totales des vibrations:

a_h	m/s^2	2,5
K	m/s^2	1,5

IDENTIFICATION (FIG. 1)

1. Interrupteur ON / OFF
2. Laser
3. Protège-lame
4. Interrupteur de sécurité
5. Poignée de réglage de l'onglet
6. Table à onglets
7. Ensemble de serrage
8. Verrouillage d'onglet
9. Sac à poussière
10. Vis de réglage de la profondeur de tranchée
11. Clôture
12. Échelle d'onglet
13. Insertion de table (plaque de trait de scie)
14. Verrou de biseau
15. Protège-lame fixe supérieur
16. Poignée de transport
17. Orifice d'extraction de poussière

OPÉRATION

AVERTISSEMENT! Avant de commencer toute opération de coupe, boulochez votre scie à onglets composée sur un établi. N'utilisez jamais votre scie à onglets sur le sol ou en position accroupie. Le non-respect de cet avertissement peut entraîner des blessures graves.

AVERTISSEMENT! Utilisez l'étau pour sécuriser votre pièce à travailler en restant libre sur un côté de la lame pour empêcher la lame de se coincer dans la pièce à travailler. La lame de reliure de la pièce de travail provoquera le calage du moteur et le rebond. Cette situation pourrait provoquer un accident entraînant des blessures graves.

COUPE TRANSVERSALE

Une coupe transversale est réalisée en coupant dans le sens du fil de la pièce. Une coupe transversale à 90° est réalisée avec la table à onglets réglée à la position zéro degré. Les coupes transversales à onglets sont effectuées avec la table à onglets placée à un autre angle autre que zéro.

1. Retirez la goupille de verrouillage et soulevez

la tête de scie à sa pleine hauteur.

2. Déverrouillez la table à onglets.
3. Faites pivoter la table à onglets jusqu'à ce que le pointeur s'aligne avec l'angle souhaité sur l'échelle d'onglet.
4. Verrouillez le bouton de verrouillage de la table à onglets.

REMARQUE: vous pouvez localiser rapidement 0, 5, 10, 15, 22,5, 25, 31,35, 40, 45° à gauche ou à droite sur l'échelle.

5. La table à onglets peut être placée dans l'une des encoches d'arrêt positives, situées dans le cadre de la table à onglets. Placez la pièce à travailler à plat sur la table à onglets avec un bord solidement contre le guide. Si le bord concave d'une planche est placé contre le guide, la planche pourrait s'effondrer sur la lame à la fin de la coupe, bloquant la lame.
6. Lorsque vous coupez de longs morceaux de bois ou de moulure, soutenez l'extrémité opposée du stock avec les supports de matériau.
7. Alignez la ligne de coupe sur la pièce à travailler avec le bord de la lame de scie.
8. Utilisez l'étau pour fixer la pièce à travailler (Fig. 2.1, Fig. 2.2).

AVERTISSEMENT! Pour éviter des blessures graves, gardez vos mains en dehors de la zone sans mains; à au moins 75 mm de la lame. N'effectuez jamais d'opération de coupe à main levée (sans tenir la pièce contre le guide). La lame pourrait saisir la pièce à travailler si elle glisse ou se tord.

9. Avant d'allumer la scie, effectuez un essai à sec de l'opération de coupe juste pour vous assurer qu'aucun problème ne se produira lors de la coupe.
10. Saisissez fermement la poignée de la scie, appuyez sur la gâchette. Attendez quelques secondes pour que la lame atteigne sa vitesse maximale.
11. Appuyez sur l'interrupteur marche / arrêt du laser pour allumer le laser.
12. Appuyez sur le levier de dégagement de la protection inférieure, puis abaissez lentement la lame dans et à travers la pièce à travailler.
13. Relâchez la gâchette et laissez la lame de scie s'arrêter de tourner avant de sortir la lame de la pièce à travailler.

COUPE EN BISEAU (FIG. 3)

Une coupe en biseau est faite en coupant dans le sens du grain de la pièce à travailler avec la lame inclinée par rapport au guide et à la table à onglets. Une coupe en biseau est effectuée avec la table à onglets réglée à zéro degré et la lame réglée à un angle compris entre 0° et 45°.

1. Retirez la goupille de verrouillage et soulevez la tête de scie à sa pleine hauteur.
2. Desserrez la poignée de verrouillage de la table à onglets.
3. Faites pivoter la table à onglets jusqu'à ce que le pointeur s'aligne sur zéro sur l'échelle d'onglet.
4. Verrouillez la table à onglets en tournant le

bouton de verrouillage de la table à onglets dans le sens des aiguilles d'une montre.

AVERTISSEMENT! Pour éviter des blessures graves, poussez toujours la pince de la table à onglets vers le bas avant d'effectuer une coupe. Le non-respect de cette consigne pourrait entraîner un mouvement de la table à onglets lors d'une coupe et entraîner des blessures graves.

5. Desserrez le levier de verrouillage du biseau et déplacez la tête de scie vers la gauche jusqu'à l'angle de biseau souhaité.
6. Les angles de biseau peuvent être réglés de 0° à 45°.
7. Alignez le point indicateur avec l'angle souhaité.
8. Une fois que le bras de scie a été réglé à l'angle souhaité, serrez fermement le levier de verrouillage du biseau.
9. Placez la pièce à travailler à plat sur la table à onglets avec un bord fermement contre le guide. Si la planche est déformée, placez le côté convexe contre la clôture. Si le bord concave de la planche est placé contre le guide, la planche pourrait s'effondrer sur la lame à la fin de la coupe, bloquant la lame.
10. Lors de la coupe de longs morceaux de bois ou de moulures, soutenez la ou les extrémités en surplomb du stock avec les supports de matériau.
11. Alignez la ligne de coupe sur la pièce à travailler avec le bord de la lame de scie.
12. Saisissez fermement le support d'une main et fixez-le contre le guide. Serrez l'étau pour fixer la pièce à travailler.

AVERTISSEMENT! Pour éviter des blessures graves, gardez vos mains en dehors de la zone sans mains; à au moins 75 mm de la lame. N'effectuez jamais d'opération de coupe à main levée (sans tenir la pièce contre le guide). La lame pourrait saisir la pièce à travailler si elle glisse ou se tord.

13. Avant d'allumer la scie, effectuez un essai à sec de l'opération de coupe juste pour vous assurer qu'aucun problème ne se produira lors de la coupe.
14. Saisissez fermement la poignée de la scie, puis appuyez sur la gâchette. Attendez quelques secondes pour que la lame atteigne sa vitesse maximale.
15. Appuyez sur l'interrupteur marche / arrêté du laser pour allumer le laser.
16. Déverrouillez le bouton de sécurité de la protection inférieure verrouillable, puis abaissez lentement la lame dans et à travers la pièce à travailler.
17. Relâchez la gâchette et laissez la lame de scie s'arrêter de tourner avant de soulever la lame hors de la pièce à travailler.

COUPE D'ONGLET COMPOSÉ

Une coupe d'onglet composée est une coupe réalisée en utilisant un angle d'onglet et un an-

gle de biseau en même temps. Ce type de coupe est utilisé pour réaliser des cadres, découper des moulures, fabriquer des boîtes à côtés inclinés et pour certaines coupes de charpente de toiture. Pour effectuer ce type de coupe, la table à onglets doit être tournée à l'angle correct et le bras de la scie doit être incliné à l'angle de biseau correct. Des précautions doivent toujours être prises lors de la configuration des onglets composés en raison de l'interaction des deux paramètres d'angle. Les réglages des paramètres d'onglet et de biseau sont interdépendants les uns avec les autres. Chaque fois que vous ajustez le paramètre d'onglet, vous modifiez l'effet du paramètre de biseau.

De plus, chaque fois que vous ajustez le paramètre de biseau, vous modifiez l'effet du paramètre d'onglet. Plusieurs réglages peuvent être nécessaires pour obtenir la coupe souhaitée. Le premier réglage d'angle doit être vérifié après avoir réglé le deuxième angle, car le réglage du deuxième angle affecte le premier.

Une fois que les deux réglages corrects pour une coupe particulière ont été obtenus, effectuez toujours une coupe d'essai dans du bois de rebut avant de faire une coupe de finition dans du bon bois.

1. Retirez la goupille de verrouillage et soulevez la tête de scie à sa pleine hauteur.
2. Desserrez le bouton de verrouillage de la table à onglets.
3. Faites pivoter la table à onglets jusqu'à ce que le pointeur s'aligne avec l'angle souhaité sur l'échelle d'onglet.
4. Serrez le bouton de verrouillage de la table à onglets.
5. Desserrez le levier de verrouillage du biseau et déplacez le bras de scie vers la gauche jusqu'à l'angle de biseau souhaité.
6. Les angles de biseau peuvent être réglés de 0° à 45°.
7. Alignez le point indicateur avec l'angle souhaité.
8. Une fois que le bras de scie a été réglé à l'angle souhaité, serrez fermement le levier de verrouillage du biseau.
9. Placez la pièce à travailler à plat sur la table à onglets avec un bord fermement contre le guide. Si la planche est déformée, placez le côté convexe contre le guide, si le bord concave de la planche est placé contre le guide, la planche pourrait s'effondrer sur la lame à la fin de la coupe, bloquant la lame.
10. Lors de la coupe de longs morceaux de bois ou de moulures, soutenez l'extrémité opposée du stock avec les supports de matériau.
11. Alignez la ligne de coupe de la pièce à travailler avec le bord de la lame de scie.
12. Saisissez fermement le support d'une main et fixez-le contre le guide. Serrez l'étau pour fixer la pièce à travailler.
13. Avant d'allumer la scie, effectuez un essai à sec de l'opération de coupe juste pour vous assurer qu'aucun problème ne se produira lors de la coupe.
14. Appuyez sur l'interrupteur marche / arrêté du laser pour allumer le laser.

15. Saisissez fermement la poignée de la scie, puis appuyez sur la gâchette. Attendez quelques secondes pour que la lame atteigne sa vitesse maximale.
16. Relâchez la gâchette et laissez la lame de scie s'arrêter de tourner avant de soulever la lame hors de la pièce à travailler.

DÉCOUPEZ DE PLUS GRANDES PIÈCES DE TRAVAIL AVEC L'ACTION SLIDE

1. Lors de la coupe de grandes pièces à travailler avec l'action de glissière, la pièce à travailler est placée carrément contre le guide arrière et est fermement verrouillée dans l'état.
2. Saisissez fermement la poignée de la scie (Fig. 4).
3. Faites glisser la tête de coupe loin du guide arrière vers la position la plus extérieure, puis appuyez sur la gâchette (Fig. 5).
4. Abaissez lentement la lame dans et à travers la pièce de travail et poussez la tête de coupe pour faire passer la lame à travers la plus grande pièce de travail vers le guide arrière (Fig. 6).

AVERTISSEMENT! Ne jamais appliquer une force excessive sur la poignée de la scie dans une direction droite ou gauche car cela désalignera la tête et entraînera une coupe imprécise.

FAISCEAU LASER

La lumière du faisceau laser vous donne une ligne directrice montrant précisément une ligne où la lame doit couper la pièce à travailler de la table. Le faisceau laser peut être activé selon les besoins: Appuyez sur l'interrupteur marche / arrêt du laser pour allumer le laser et appuyez à nouveau sur l'interrupteur pour éteindre le laser. Le câble réseau alimente le laser. Le faisceau laser doit être aligné avant d'être utilisé pour la première fois. Réglez le banc en position angulaire de 0°. Desserrez légèrement la vis d'alignement laser. Allumez le laser et alignez le faisceau de sorte qu'il pointe. Exactement à la marque de jauge 0° du régleur de coupe d'onglet.

APPLICATIONS

Pour éviter un démarrage accidentel qui pourrait causer des blessures graves, assemblez toutes les pièces et assurez-vous que tous les avertissements: les réglages sont terminés, assurez-vous que toutes les fixations sont sécurisées avant de connecter la scie à l'alimentation électrique. La scie ne doit jamais être connectée à l'alimentation électrique lorsque vous assemblez des pièces, effectuez des réglages, installez ou retirez des lames ou lorsqu'elle n'est pas utilisée.

ATTACHEMENT VICE (FIG. 7)

Pour fixer l'étai, poussez la tige de fixation ronde dans le trou de fixation de l'étai et tournez le bouton de verrouillage arrière dans le sens des aiguilles d'une montre pour verrouiller.

SAC À POUSSIÈRE (FIG. 8)

Fixez le sac à poussière en pressant les deux ressorts métalliques ensemble.

PIN DE VERROUILLAGE (FIG. 9)

Votre machine est dotée d'une goupille de verrouillage pour un transport plus facile. Pour déverrouiller la tête, tirez la goupille et tirez le bras de la scie en position verticale.

Pour empêcher le mouvement de glissement de la tête de scie pendant le transport, verrouillez le bouton de verrouillage de la glissière comme indiqué dans.

RÉGLAGE DE L'ONGLET 0-45°

L'onglet de votre machine coupe de 0° à 45° à droite et à gauche, avec des butées positives à 0, 5, 10, 15, 22,5, 25, 31,35, 40, 45°. Desserrez le bouton de verrouillage de la table à onglets et déplacez la table à onglets sur l'angle de coupe souhaité. Resserrez le bouton de verrouillage de la table à onglets pour verrouiller la table en position.

CLÔTURE

Le guide arrière de votre scie à onglets combinée coulissante a été fourni pour maintenir fermement votre pièce de travail lors de toutes les coupes.

PROTECTEUR INFÉRIEUR DE LAME AUTO-RÉTRACTABLE

Le protège-lame inférieur est fait de plastique transparent résistant aux chocs qui offre une protection de chaque côté de la lame. Il se rétracte sur le protège-lame supérieur lorsque la scie est abaissée dans la pièce à travailler.

AVERTISSEMENT: votre scie à onglets combinée à glissière comporte 4 trous pour le montage sur l'établi. Assurez-vous toujours que votre scie à onglets composée est solidement montée sur un établi ou un support de travail approuvé. Le non-respect de cette consigne peut entraîner un accident causant des blessures graves.

CONNEXION ÉLECTRIQUE

Vous avez vu un moteur électrique de précision. Il doit être connecté à une alimentation électrique 240 volts CA, 50-60 Hz, uniquement (courant domestique normal). N'utilisez pas cet outil en courant continu (CC). Une chute de tension importante entraînera une perte de puissance et le moteur surchauffera. Si votre outil ne fonctionne pas lorsqu'il est branché sur une prise, vérifiez à nouveau l'alimentation électrique.

AVERTISSEMENT: l'utilisation de tout outil électrique peut entraîner la projection d'objets étrangers dans vos yeux, ce qui peut entraîner de graves lésions oculaires. Avant de commencer à utiliser l'outil électrique, portez toujours des lunettes de sécurité ou des lunettes de sécurité avec écrans latéraux et un écran facial complet si nécessaire. Nous recommandons un masque de sécurité à vision large pour une utilisation sur des lunettes ou des lunettes de sécurité standard avec écrans latéraux.

AVERTISSEMENT: n'essayez pas de modifier cet outil ou de créer des accessoires non recommandés pour une utilisation avec cet outil. Une telle altération ou modification constitue une mauvaise utilisation et pourrait entraîner une situation dangereuse pouvant entraîner des blessures graves.

AJUSTEMENT

Votre scie à onglets mixte a été réglée en usine pour effectuer des coupes très précises.

Cependant, certains composants peuvent avoir été désalignés lors de l'expédition.

En outre, sur une période de temps, un réajustement deviendra probablement nécessaire en raison de l'usure. Après avoir déballé votre scie, vérifiez les réglages suivants avant de commencer à utiliser la scie. Effectuez les réajustements nécessaires et vérifiez régulièrement l'alignement des pièces pour vous assurer que votre scie coupe avec précision.

AVERTISSEMENT: Pour éviter un démarrage accidentel qui pourrait entraîner des blessures graves, assemblez toutes les pièces de votre scie avant de la brancher à l'alimentation électrique. La scie ne doit jamais être connectée à l'alimentation électrique lorsque vous assemblez des pièces, effectuez des réglages, installez ou retirez des lames ou lorsqu'elle n'est pas utilisée.

REMPACEMENT DE LA LAME

DANGER: Une lame de 254 mm x 2,0 mm de diamètre est la capacité maximale de la lame de votre scie. N'utilisez jamais une lame trop épaisse pour permettre à la rondelle de lame extérieure de s'engager dans les méplats de la broche. Retirez la vis du bras de lame inférieur et desserrez la vis sur le couvercle du boulon de lame jusqu'à ce que l'ensemble de garde-lame inférieur puisse être soulevé pour exposer le boulon de lame.

1. Appuyez sur le bouton de verrouillage de la broche tout en faisant tourner la lame. Le bouton de verrouillage de la broche engage le verrouillage de la broche (Fig. 10).
2. Retirez le boulon de lame et la bride de lame extérieure et remplacez la lame. Utilisez une clé pour desserrer le boulon de la lame. Veuillez noter qu'il s'agit d'un filetage à gauche, alors desserrez dans le sens des aiguilles d'une montre. Rattachez le flasque extérieur de la lame, fixez fermement le boulon de lame et remettez le protège-lame inférieur (Fig. 11).

AVERTISSEMENT: Si la rondelle intérieure de lame a été retirée, remplacez-la avant de placer la lame sur l'axe. Le non-respect de cette consigne peut provoquer un accident car la lame ne se resserre pas correctement.

ATTENTION: installez toujours la lame avec les dents de la lame dirigées vers le bas.

ÉQUERRE LA LAME À LA TABLE À ONGLETS À 0°

Abaissez complètement le bras de scie et engagez la goupille de verrouillage pour maintenir le bras de scie en position de transport. Déverrouillez le levier de verrouillage du biseau et déplacez le bras de la scie en position 0° et verrouillez le levier de verrouillage du biseau (Fig. 12).

Posez l'équerre sur la table à onglets et contre la lame. Si la lame et la table à onglets ne sont pas alignées, procédez comme suit (Fig. 13).

1. Dévissez le boulon de positionnement du biseau à 0° sur le côté droit comme illustré (Fig. 14).
2. Alignez correctement la lame et la table à onglets à l'aide de l'équerre et verrouillez le levier de verrouillage de biseau.
3. Déplacez le bras de scie jusqu'à ce que le pointeur se trouve en position de biseau à 0° et serrez le boulon de positionnement du biseau à 0°. Vérifiez l'angle de 0° en utilisant une équerre à 90° entre la table et la lame. Si la table et la lame ne s'alignent pas, réajustez le boulon de positionnement du biseau à 0° jusqu'à ce qu'il soit aligné, puis ajustez le pointeur sur le repère 0° et fixez-le en serrant la vis du pointeur (Fig. 15).

ÉQUERRE LA LAME À LA TABLE À ONGLETS À 45°

1. Déplacez le bras de scie en position biseauté à 45° (Fig. 16).
2. Si le bras de scie ne peut pas atteindre une position complète à 45°, le boulon de positionnement de biseau à 45° devra être réinitialisé (Fig. 17).
3. Lorsque le bras de scie est déplacé à la position de biseau à 45°, vérifiez l'angle de 45° en utilisant une équerre à 45° entre la table et la lame. Si la table et la lame ne s'alignent pas, réajustez le
4. Boulon de positionnement à 45° jusqu'à l'alignement. Réglez à nouveau le pointeur sur la marque 45° et fixez-le en serrant la vis du pointeur.

RÉGLAGE DE LA PROFONDEUR DE COUPE

1. Débranchez le cordon d'alimentation.
2. Pour régler la profondeur de coupe, une clé ou une clé à molette pour desserrer l'écrou hexagonal devra être appliquée.
3. Utilisez une clé hexagonale pour régler la profondeur de la vis de réglage de la coupe. La lame de scie peut être abaissée en tournant la vis dans le sens antihoraire et peut être soulevée en tournant la vis dans le sens horaire.
4. Abaissez la lame dans la plaque à aiguille de la table à onglets, puis vérifiez le jeu de la lame et la distance de coupe maximale (qui est la distance mesurée depuis le guide où la lame entre) jusqu'à l'avant de la fente de la table à onglets.
5. Réajustez si nécessaire.
6. Serrez l'écrou hexagonal.
7. Pour éviter que la vis de réglage de la profondeur de coupe ne tourne, tout en serrant l'écrou hexagonal, maintenez-le soigneusement avec la clé hexagonale lors du serrage de l'écrou hexagonal (Fig. 18).

ALLUMER ET ÉTEINDRE (FIG. 19.1, FIG. 19.2)

1. Pour mettre la scie en marche, appuyez et maintenez l'interrupteur à gâchette marche / arrêt.
2. Pour éteindre la scie, relâchez l'interrupteur à gâchette marche / arrêt.

ALLUMER ET ÉTEINDRE

1. À l'aide d'un tournevis, desserrez et retirez la vis qui fixe le couvercle du boulon de lame (Fig. 20).
2. Tirez le protège-lame rotatif vers le bas, puis faites-le basculer vers le haut avec le couvercle du boulon de lame. Lorsque le protège-lame rotatif est positionné sur le protège-lame fixe supérieur, il est possible d'accéder au boulon de lame (Fig. 21).
3. Tenez la protection rotative vers le haut et appuyez sur le bouton de verrouillage de la broche. Faites tourner la lame jusqu'à ce que la broche se bloque (Fig. 22).
4. Utilisez la clé hexagonale fournie pour desserrer et retirer le boulon de lame. (Desserrez dans le sens des aiguilles d'une montre car la vis de la lame a un filetage à gauche) (Fig. 23).
5. Abaissez le protège-lame, maintenez le protège-lame inférieur rotatif et le couvercle du boulon de lame en position et serrez la vis de fixation (Fig. 24).

MAINTENANCE DES OUTILS

1. Avant toute intervention sur la machine elle-même, débranchez la fiche d'alimentation ou retirez la batterie
2. Utilisez des chiffons propres et du savon doux pour enlever la saleté, la poussière, etc.
3. N'utilisez jamais d'essence, de benzène, de diluant, d'alcool ou similaire pour des outils propres, sinon les outils risquent de décolorer, de se déformer ou de se fissurer.
4. Gardez les événements propres. Nettoyez toutes les pièces de l'outil, nettoyez régulièrement la poussière pour empêcher les débris de pénétrer.
5. Tout service DOIT être effectué uniquement par un centre de service autorisé.

AVERTISSEMENT: ne laissez pas l'eau pénétrer dans le moteur et l'outil complètement immergé dans la vaisselle, ce qui entraînerait un dysfonctionnement du moteur et un choc électrique.

PROTECTION ENVIRONNEMENTALE

Recyclez les matières premières au lieu de les éliminer en tant que déchets. La machine, les accessoires et l'emballage doivent être triés pour un recyclage respectueux de l'environnement. Les composants en plastique sont étiquetés pour un recyclage catégorisé.

GARANTIE

Ce produit est garanti conformément aux réglementations légales / nationales, en vigueur à compter de la date d'achat par le premier utilisateur. Les dommages attribuables à l'usure normale, à la surcharge ou à une mauvaise manipulation seront exclus de la garantie. En cas de réclamation, veuillez envoyer la machine, complètement assemblée, à votre revendeur ou au centre de service pour les outils électriques.

ITALIANO

NORME GENERALI DI SICUREZZA

AVVERTIMENTO! Leggi tutte le istruzioni. La mancata osservanza di tutte le istruzioni elencate di seguito può provocare scosse elettriche, incendi e / o gravi lesioni personali.

SALVA QUESTE ISTRUZIONI

Il termine "utensile elettrico" in tutte le avvertenze elencate di seguito si riferisce all'utensile elettrico alimentato dalla rete (con cavo) o all'utensile elettrico a batteria (senza fili).

POSTO DI LAVORO

1. Mantenere il posto di lavoro pulito e ben illuminato. Luoghi di lavoro disordinati e bui provocano incidenti.
2. Non utilizzare gli utensili elettrici in atmosfere esplosive, come in presenza di liquidi, gas o polveri infiammabili. Gli utensili elettrici creano scintille che possono incendiare la polvere o i fumi.
3. Tenere lontani bambini e astanti mentre si utilizza un utensile elettrico. Le distrazioni possono farti perdere il controllo.

SICUREZZA ELETTRICA

1. Le spine dell'utensile elettrico devono corrispondere alla presa. Non modificare mai la spina in alcun modo. Non utilizzare adattatori con spine elettriche con utensili elettrici con messa a terra. Spine non modificate e prese corrispondenti ridurranno il rischio di scosse elettriche.
2. Evitare il contatto del corpo con superfici dotate di messa a terra come condotte, radiatori e frigoriferi. Esiste un rischio maggiore di scosse elettriche se il corpo è collegato a terra o a terra.
3. Non esporre gli utensili elettrici alla pioggia o all'umidità. La penetrazione di acqua in un utensile elettrico aumenta il rischio di scosse elettriche.
4. Non abusare del cavo. Non usare mai il cavo per trasportare, tirare o scollegare l'utensile elettrico.
5. Tenere il cavo lontano da olio caldo, bordi taglienti o parti in movimento. I cavi danneggiati o aggrovigliati aumentano il rischio di scosse elettriche. Quando si utilizza un utensile elettrico all'aperto, utilizzare una prolunga adatta per l'uso all'aperto. L'uso di un cavo adatto per uso esterno riduce il rischio di scosse elettriche.

SICUREZZA PERSONALE

1. Stai attento, osserva cosa stai facendo e usa il buon senso quando utilizzi un utensile elettrico. Non utilizzare un utensile elettrico quando si è stanchi o sotto l'effetto di droghe, alcol o farmaci. Un attimo di disattenzione durante il funzionamento degli utensili elettrici può provocare gravi lesioni personali.

2. Utilizzare attrezzature di sicurezza. Indossare sempre una protezione per gli occhi. Equipaggiamento di sicurezza come maschera antipolvere, scarpe di sicurezza antiscivolo, elmetto o protezioni acustiche utilizzate in condizioni appropriate ridurranno le lesioni personali.
3. Impedire l'avvio involontario. Assicurarsi che l'interruttore sia in posizione di spegnimento prima di collegarlo alla fonte di alimentazione e / o al pacco batteria, sollevare o trasportare lo strumento. Il trasporto di utensili elettrici con il dito sull'interruttore o l'alimentazione di utensili elettrici con l'interruttore acceso può provocare incidenti.
4. Rimuovere qualsiasi chiave o chiave di regolazione prima di accendere l'utensile elettrico. Una chiave o una chiave lasciata attaccata a una parte rotante dell'utensile elettrico può provocare lesioni personali.
5. Non sbilanciarsi. Mantenere sempre un appoggio ed un equilibrio adeguati. Ciò consente un migliore controllo dell'utensile elettrico in situazioni impreviste.
6. Vestiti adeguatamente. Non indossare abiti larghi o gioielli. Tenere i capelli, i vestiti e i guanti lontani dalle parti in movimento. Abiti larghi, gioielli o capelli lunghi possono rimanere impigliati nelle parti in movimento.
7. Se vengono forniti dispositivi per il collegamento di impianti di aspirazione e raccolta della polvere, assicurarsi che siano collegati e utilizzati correttamente. L'uso di questi dispositivi può ridurre i rischi legati alla polvere.

UTILIZZO E CURA DELL'UTENSILE ELETTRICO

1. Non forzare l'utensile elettrico. Utilizzare l'utensile elettrico corretto per la propria applicazione. L'utensile elettrico corretto farà il lavoro meglio e in modo più sicuro alla velocità per cui è stato progettato.
2. Non utilizzare l'utensile elettrico se l'interruttore non lo accende e non lo spegne. Qualsiasi utensile elettrico che non può essere controllato con l'interruttore è pericoloso e deve essere riparato.
3. Scollegare la spina dalla presa di corrente prima di effettuare regolazioni, cambiare accessori o riporre utensili elettrici. Tali misure di sicurezza preventive riducono il rischio di avviare accidentalmente l'utensile elettrico.
4. Conservare gli utensili elettrici inattivi fuori dalla portata dei bambini e non consentire a persone che non hanno familiarità con l'utensile elettrico o con queste istruzioni di azionarlo. Gli utensili elettrici sono pericolosi nelle mani di utenti non addestrati.
5. Manutenzione degli strumenti elettrici. Verificare il disallineamento o il grippaggio delle parti mobili, la rottura delle parti e qualsiasi altra condizione che possa influire sul funzionamento degli utensili elettrici. Se danneggiato, far riparare l'utensile elettrico prima dell'uso. Molti incidenti sono causati da utensili elettrici sottoposti a scarsa manutenzione.
6. Mantenere gli utensili da taglio affilati e pu-

liti. Gli utensili da taglio con una corretta manutenzione e taglienti affilati hanno meno probabilità di legarsi e sono più facili da controllare.

- Utilizzare l'utensile elettrico, gli accessori, le punte ecc., in conformità con queste istruzioni e nel modo previsto per il particolare tipo di utensile elettrico, tenendo conto delle condizioni di lavoro e del lavoro da eseguire. L'utilizzo dell'utensile elettrico per operazioni diverse da quelle previste potrebbe provocare una situazione pericolosa.

ISTRUZIONI DI SICUREZZA PER SEGA MITRE

Quando si utilizza questo strumento è necessario essere consapevoli della sicurezza e deve essere seguito per evitare il rischio di apparecchiature che possono causare incendi, cortocircuiti e incidenti che si verificano agli utenti. Per la sicurezza degli utenti, leggere attentamente il manuale prima di utilizzare la macchina.

MANTENERE LE PROTEZIONI IN POSIZIONE E IN ORDINE DI LAVORO

Non incunearne o legare mai la protezione della lama inferiore aperta. Controllare il funzionamento della protezione della lama inferiore prima di ogni utilizzo. Non azionare se la protezione della lama inferiore non si chiude rapidamente sulla lama della sega.

CAVI DI ESTENSIONE PER USO ESTERNO

Quando lo strumento viene utilizzato all'aperto, utilizzare solo prolunghe destinate all'uso all'aperto e contrassegnate.

MANTENERE LE LAME PULITE E AFFILATE

Le lame affilate riducono al minimo lo stallo e il contraccolpo.

TENERE LE MANI LONTANE DALL'AREA DI TAGLIO

Tenere le mani lontane dalle lame. Non toccare la parte inferiore del lavoro mentre la lama è in rotazione. Non tentare di rimuovere il materiale tagliato quando la lama è in movimento.

AVVERTENZA: le lame per inerzia dopo lo spegnimento.

ISPEZIONARE PERIODICAMENTE I CAVI DEGLI STRUMENTI

Se danneggiato, farlo riparare da un centro di assistenza autorizzato. Essere costantemente consapevoli della posizione del cavo e tenerlo lontano dalla lama rotante.

USA RIP FENCE

Utilizzare sempre una recinzione o una guida per bordi dritti durante lo strappo.

PRIMA DI FARE UN TAGLIO

Assicurati che le regolazioni di profondità, smusso e inclinazione siano strette.

USARE LAME CORRETTE

Non utilizzare lame con fori di dimensioni errate. Non utilizzare mai rondelle o bulloni della lama difettosi o errati. La capacità massima della lama della sega è di 254 mm.

EVITARE IL TAGLIO DELLE UNGHIE

Ispezionare e rimuovere tutti i chiodi dal legno prima del taglio.

MAI

Toccare la lama o le parti mobili durante l'uso.

MAI

Avviare la sega quando la lama è a contatto con il pezzo da lavorare.

LUCE LASER. RADIAZIONE LASER

Non fissare il raggio. Accendere il raggio laser solo quando l'utensile si trova sul pezzo da lavorare.

SPECIFICHE DEL PRODOTTO

USO PREVISTO

Taglio trasversale di legno e plastica Taglio di angoli, giunti, ecc. Per cornici, modanature, rivestimenti di porte e falegnameria di pregio. Utilizzare la lama in alluminio solo per il taglio dell'alluminio.

NOTA: la lama di taglio trasversale fornita è per la maggior parte delle operazioni di taglio del legno.

DATI TECNICI

Codice prodotto		46 041
Model		SCMS 210 PLUS
Voltaggio	V	220-240
Frequenza	Hz	50/60
Alimentazione	W	1.450
Velocità a vuoto	min ⁻¹	5.000
Dimensioni della lama	mm	210x1,8
Massima capacità di taglio 0°/90°	mm	62x310
Massima capacità di taglio 0°/45°	mm	34x310
Massima capacità di taglio 45°/90°	mm	62x215
Massima capacità di taglio 45°/45°	mm	34x215
Peso	kg	11,0

Valori di emissione acustica rilevati conformemente a EN 62841-1, EN 62841-3-9

Il livello di rumore stimato A dell'apparecchio

Livello di pressione acustica	dB(A)	70
Livello di potenza sonora	dB(A)	80
Incertezza K	dB	3
Valori complessivi di oscillazione ah (somma vettoriale delle tre direzioni) e incertezza della misura K misurati conformemente alla norma EN 62841-1, EN 62841-3-9		
Valori complessivi di oscillazione:		
a _h	m/s ²	2,5
K	m/s ²	1,5

IDENTIFICAZIONE (FIG. 1)

1. Interruttore ON / OFF
2. Laser
3. Protezione della lama
4. Interruttore di sicurezza
5. Maniglia di regolazione dell'angolazione
6. Tavolo per mitra
7. Gruppo morsetto
8. Blocco obliquo
9. Sacchetto per la polvere
10. Vite di regolazione della profondità di scavo
11. Recinzione
12. Scala obliqua
13. Inserto tavola (piastra di taglio)
14. Blocco smusso
15. Protezione lama fissa superiore
16. Maniglia per il trasporto
17. Porta di aspirazione della polvere

FUNZIONAMENTO

AVVERTIMENTO! Prima di iniziare qualsiasi operazione di taglio, imbullonare la troncatrice a un banco da lavoro. Non utilizzare mai la troncatrice sul pavimento o in posizione accovacciata. La mancata osservanza di questa avvertenza può provocare gravi lesioni personali.

AVVERTIMENTO! Utilizzare la morsa per fissare il pezzo da lavorare che rimane libero su un lato della lama per evitare che la lama si blocchi nel pezzo da lavorare. La lama di legatura del pezzo da lavorare causerà lo stallo del motore e il contraccolpo. Questa situazione potrebbe causare un incidente con conseguenti lesioni personali gravi.

TAGLIO TRASVERSALE

Un taglio trasversale viene eseguito tagliando la grana del pezzo da lavorare. Si esegue un taglio trasversale a 90° con la tavola obliqua impostata nella posizione di zero gradi. I tagli trasversali vengono eseguiti con il tavolo per tagli obliqui impostato a un altro angolo diverso da zero.

1. Estrarre il perno di blocco e sollevare la testa della sega alla sua altezza completa.
2. Sbloccare il tavolo per tagli obliqui.
3. Ruotare la tavola per tagli obliqui finché il pun-

tatore non si allinea con l'angolo desiderato sulla scala per tagli obliqui.

4. Bloccare la manopola di blocco del tavolo per tagli obliqui.

NOTA: è possibile individuare rapidamente 0, 5, 10, 15, 22,5, 25, 31, 35, 40, 45° a sinistra o a destra sulla scala.

5. Il tavolo per tagli obliqui può essere posizionato in una delle tacche di arresto positivo, situate nel telaio del tavolo per tagli obliqui. Posizionare il pezzo da lavorare in piano sul tavolo per tagli obliqui con un bordo saldamente contro la guida. Se il bordo concavo di una tavola viene posizionato contro la recinzione, la tavola potrebbe crollare sulla lama alla fine del taglio, bloccando la lama.
6. Quando si tagliano pezzi lunghi di legno o modanature, sostenere l'estremità opposta del supporto con i supporti del materiale.
7. Allineare la linea di taglio sul pezzo da lavorare con il bordo della lama della sega.
8. Utilizzare la morsa per fissare il pezzo da lavorare (Fig. 2.1, Fig. 2.2).

AVVERTIMENTO! Per evitare gravi lesioni personali, tenere le mani fuori dalla zona vietata alle mani; almeno 75 mm dalla lama. Non eseguire mai alcuna operazione di taglio a mano libera (senza tenere il pezzo da lavorare contro la guida). La lama potrebbe afferrare il pezzo da lavorare se scivola o si attorciglia.

9. Prima di accendere la sega, eseguire un ciclo a secco dell'operazione di taglio solo per assicurarsi che non si verifichino problemi al momento del taglio.
10. Afferrare saldamente il manico della sega, premere il grilletto. Attendere alcuni secondi affinché la lama raggiunga la velocità massima.
11. Premere l'interruttore di accensione / spegnimento del laser per accendere il laser.
12. Premere la leva di rilascio della protezione inferiore e quindi abbassare lentamente la lama dentro e attraverso il pezzo da lavorare.
13. Rilasciare il grilletto e lasciare che la lama della sega smetta di ruotare prima di sollevare la lama dal pezzo da lavorare.

TAGLIO SMUSSATO (FIG. 3)

Un taglio inclinato viene eseguito tagliando attraverso la grana del pezzo da lavorare con la lama angolata rispetto alla guida e al tavolo obliquo. Viene eseguito un taglio inclinato con il piano inclinato impostato in posizione zero gradi e la lama con un angolo compreso tra 0° e 45°.

1. Estrarre il perno di blocco e sollevare la testa della sega alla sua altezza completa.
2. Allentare la maniglia di bloccaggio del tavolo per tagli obliqui.
3. Ruotare la tavola dell'angolazione finché il puntatore non si allinea con lo zero sulla scala dell'angolo.
4. Bloccare il tavolo per tagli obliqui ruotando la manopola di blocco del tavolo per tagli obliqui in senso orario.

AVVERTIMENTO! Per evitare gravi lesioni personali, spingere sempre indietro il morsetto del tavolo per tagli obliqui prima di eseguire un taglio. La mancata osservanza di questa precauzione potrebbe provocare il movimento del tavolo per tagli obliqui durante il taglio provocando gravi lesioni personali.

5. Allentare la leva di blocco dello smusso e spostare la testa della sega a sinistra sull'angolo di smusso desiderato.
6. Gli angoli di smusso possono essere impostati da 0° a 45°.
7. Allineare il punto indicatore con l'angolo desiderato.
8. Una volta che il braccio della sega è stato impostato all'angolazione desiderata, serrare saldamente la leva di blocco dell'inclinazione.
9. Posizionare il pezzo da lavorare in piano sul tavolo obliquo con un bordo saldamente contro la guida. Se la tavola è deformata, posiziona il lato convesso contro la recinzione. Se il bordo concavo della tavola viene posizionato contro la recinzione, la tavola potrebbe crollare sulla lama alla fine del taglio, bloccando la lama.
10. Quando si tagliano pezzi lunghi di legno o modanature, sostenere le estremità sporgenti del ceppo con i supporti del materiale.
11. Allineare la linea di taglio sul pezzo da lavorare con il bordo della lama della sega.
12. Afferrare saldamente il calcio con una mano e fissarlo contro la recinzione. Stringere la morsa per fissare il pezzo da lavorare.

AVVERTIMENTO! Per evitare gravi lesioni personali, tenere le mani fuori dalla zona vietata alle mani; almeno 75 mm dalla lama. Non eseguire mai alcuna operazione di taglio a mano libera (senza tenere il pezzo da lavorare contro la guida). La lama potrebbe afferrare il pezzo da lavorare se scivola o si attorciglia.

13. Prima di accendere la sega, eseguire un ciclo a secco dell'operazione di taglio solo per assicurarsi che non si verifichino problemi durante il taglio.
14. Afferrare saldamente il manico della sega, quindi premere il grilletto. Attendere alcuni secondi affinché la lama raggiunga la velocità massima.
15. Premere l'interruttore di accensione / spegnimento del laser per accendere il laser.
16. Sbloccare la manopola di sicurezza della protezione inferiore di bloccaggio e quindi abbassare lentamente la lama dentro e attraverso il pezzo da lavorare.
17. Rilasciare il grilletto e lasciare che la lama della sega smetta di ruotare prima di sollevare la lama dal pezzo da lavorare.

TAGLIO MITRO COMPOSTO

Un taglio obliquo composto è un taglio eseguito utilizzando un angolo obliquo e un angolo smussato allo stesso tempo. Questo tipo di taglio viene utilizzato per realizzare cornici, tagliare modanature, realizzare scatole con lati inclinati e per alcuni

tagli di intelaiatura del tetto. Per eseguire questo tipo di taglio, il tavolo per tagli obliqui deve essere ruotato all'angolo corretto e il braccio della sega deve essere inclinato all'angolo di smusso corretto. Prestare sempre attenzione quando si effettuano configurazioni di mitra composte a causa dell'interazione delle due impostazioni di angolo. Le regolazioni delle impostazioni di inclinazione e smussatura sono interdipendenti l'una dall'altra. Ogni volta che si regola l'impostazione della smussatura, si modifica l'effetto dell'impostazione della smussatura.

Inoltre, ogni volta che si regola l'impostazione dello smusso, si modifica l'effetto dell'impostazione dell'angolazione. Potrebbero essere necessarie diverse impostazioni per ottenere il taglio desiderato. La prima impostazione dell'angolo deve essere controllata dopo aver impostato il secondo angolo, poiché la regolazione del secondo angolo influisce sul primo.

Una volta ottenute le due impostazioni corrette per un taglio particolare, eseguire sempre un taglio di prova nel legno di scarto prima di eseguire un taglio di finitura in legno buono.

1. Estrarre il perno di blocco e sollevare la testa della sega alla sua altezza completa.
2. Allentare la manopola di blocco del tavolo per tagli obliqui.
3. Ruotare la tavola per tagli obliqui finché il puntatore non si allinea con l'angolo desiderato sulla scala per tagli obliqui.
4. Stringere la manopola di blocco del tavolo per tagli obliqui.
5. Allentare la leva di blocco dello smusso e spostare il braccio della sega a sinistra sull'angolo di smusso desiderato.
6. Gli angoli di smusso possono essere impostati da 0° a 45°.
7. Allineare il punto indicatore con l'angolo desiderato.
8. Una volta che il braccio della sega è stato impostato all'angolazione desiderata, serrare saldamente la leva di blocco dell'inclinazione.
9. Posizionare il pezzo da lavorare in piano sul tavolo obliquo con un bordo saldamente contro la guida. Se la tavola è deformata, posiziona il lato convesso contro la recinzione, se il bordo concavo della tavola viene posizionata contro la recinzione, la tavola potrebbe crollare sulla lama alla fine del taglio, bloccando la lama.
10. Quando si tagliano pezzi lunghi di legno o modanature, sostenere l'estremità opposta del supporto con i supporti del materiale.
11. Allineare la linea di taglio sul pezzo da lavorare con il bordo della lama della sega.
12. Afferrare saldamente il calcio con una mano e fissarlo contro la recinzione. Stringere la morsa per fissare il pezzo da lavorare.
13. Prima di accendere la sega, eseguire un ciclo a secco dell'operazione di taglio solo per assicurarsi che non si verifichino problemi durante il taglio.
14. Premere l'interruttore di accensione / spegnimento del laser per accendere il laser.

- Afferrare saldamente il manico della sega, quindi premere il grilletto. Attendere alcuni secondi affinché la lama raggiunga la velocità massima.
- Rilasciare il grilletto e lasciare che la lama della sega smetta di ruotare prima di sollevare la lama dal pezzo da lavorare.

TAGLIO DI PEZZI DI LAVORO PIÙ GRANDI CON AZIONE DI SCORRIMENTO

- Quando si tagliano pezzi da lavorare di grandi dimensioni con l'azione di scorrimento, il pezzo da lavorare viene posizionato perpendicolarmente contro la guida posteriore ed è saldamente bloccato nella morsa.
- Afferrare saldamente il manico della sega (Fig. 4).
- Far scorrere la testa di taglio lontano dal guida-pezzo posteriore nella posizione più esterna, quindi premere il grilletto (Fig. 5).
- Abbassate lentamente la lama dentro e attraverso il pezzo da lavorare e spingete la testa di taglio per far passare la lama attraverso il pezzo da lavorare più grande verso la guida posteriore (Fig. 6).

AVVERTIMENTO! Non applicare mai forza eccessiva sull'impugnatura della sega in direzione destra o sinistra poiché ciò potrebbe disallineare la testa e provocare un taglio impreciso.

RAGGIO LASER

La luce del raggio laser fornisce una linea guida che mostra esattamente una linea in cui la lama deve tagliare il pezzo da lavorare dal tavolo. Il raggio laser può essere acceso secondo necessità. Premere l'interruttore laser on/off per accendere il laser e premere nuovamente l'interruttore per spegnere il laser. Il cavo di rete fornisce alimentazione al laser. Il raggio laser deve essere allineato prima di essere utilizzato per la prima volta. Impostare il banco in posizione angolare 0°. Allentare leggermente la vite di allineamento laser. Accendere il laser e allineare il raggio in modo che punti. Esattamente sulla tacca dello scartamento 0° del regolatore del taglio obliquo.

APPLICAZIONI

Per evitare avviamenti accidentali che potrebbero causare possibili gravi lesioni personali, assemblare tutte le parti e assicurarsi che tutte le avvertenze: le regolazioni siano complete, assicurarsi che tutti i dispositivi di fissaggio siano fissati prima di collegare la sega all'alimentazione. La sega non deve mai essere collegata all'alimentazione quando si assemblano parti, si effettuano regolazioni, si installano o si rimuovono le lame o quando non vengono utilizzate.

ATTACCO PER MORSE (FIG. 7)

Per attaccare la morsa, spingere l'asta di attacco rotonda nel foro di attacco della morsa e ruotare la manopola di bloccaggio posteriore in senso orario per bloccare.

SACCO POLVERE (FIG. 8)

Fissare il sacchetto per la polvere premendo insieme le due molle metalliche.

PERNO DI BLOCCO (FIG. 9)

La macchina è dotata di un perno di bloccaggio per un trasporto più semplice. Per sbloccare la testa, estrarre il perno e tirare il braccio della sega in posizione verticale.

Per evitare il movimento di scorrimento della testa della sega durante il trasporto, bloccare la manopola di blocco dello scorrimento come mostrato in.

REGOLAZIONE ANGOLO 0-45°

La macchina esegue tagli obliqui da 0° a 45° sia a destra che a sinistra, con arresti positivi a 0, 5, 10, 15, 22,5, 25, 31, 35, 40, 45°. Allentare la manopola di blocco del piano di taglio e spostare il piano di taglio verso l'angolo di taglio desiderato. Riavvitare la manopola di blocco del piano obliquo per bloccare il piano in posizione.

RECINZIONE

La guida posteriore della troncatrice a scorrimento è stata fornita per tenere saldamente il pezzo da lavorare contro quando si eseguono tutti i tagli.

PROTEZIONE INFERIORE DELLA LAMA AUTORETRATTILE

La protezione della lama inferiore è realizzata in plastica trasparente resistente agli urti che fornisce protezione da ogni lato della lama. Si ritira sopra la protezione della lama superiore quando la sega viene abbassata nel pezzo da lavorare.

WARNING: la tua troncatrice a slitta ha 4 fori per il montaggio sul banco da lavoro. Assicurati sempre che la tua troncatrice composta sia montata saldamente su un banco da lavoro o su un supporto da lavoro approvato. La mancata osservanza di questa precauzione potrebbe provocare un incidente con gravi lesioni personali.

CONNESSIONE ELETTRICA

Hai visto che ha un motore elettrico di precisione. Dovrebbe essere collegato a un alimentatore che sia. Solo 240 volt CA, 50-60 Hz (normale corrente domestica). Non utilizzare questo strumento con corrente continua (CC). Una notevole caduta di tensione provocherà una perdita di potenza e il motore si surriscaldere. Se lo strumento non funziona quando è collegato a una presa, ricontra l'alimentatore.

AVVERTENZA: il funzionamento di qualsiasi utensile elettrico può provocare il lancio di oggetti estranei negli occhi, con conseguenti gravi danni agli occhi. Prima di iniziare a utilizzare l'attrezzo elettrico, indossare sempre occhiali protettivi o occhiali di protezione con schermi laterali e uno schermo facciale completo quando necessario. Si consiglia una maschera di sicurezza a visione ampia da utilizzare sopra gli occhiali o occhiali standard di sicurezza con schermi laterali

AVVERTENZA: non tentare di modificare questo strumento o creare accessori non consigliati per l'uso con questo strumento. Qualsiasi alterazione o modifica di questo tipo è un uso improprio e potrebbe causare una condizione pericolosa con possibili gravi lesioni personali.

REGOLAZIONE

La tua troncatrice composta è stata regolata in fabbrica per eseguire tagli molto precisi.

Tuttavia, alcuni componenti potrebbero essere stati spostati fuori allineamento durante la spedizione.

Inoltre, dopo un certo periodo di tempo, sarà probabilmente necessaria una nuova regolazione a causa dell'usura.

Dopo aver disimballato la sega, controllare le seguenti regolazioni prima di iniziare a utilizzare la sega. Effettuare le regolazioni necessarie e controllare periodicamente l'allineamento delle parti per assicurarsi che la sega stia tagliando con precisione.

AVVERTENZA: per prevenire avviamenti accidentali che potrebbero causare possibili gravi lesioni personali, assemblare tutte le parti della sega prima di collegarla all'alimentazione. La sega non deve mai essere collegata all'alimentazione durante l'assemblaggio di parti, le regolazioni, l'installazione o la rimozione delle lame o quando non è in uso.

SOSTITUZIONE DELLA LAMA

PERICOLO: una lama di 254 mm x 2,0 mm di diametro è la capacità massima della lama della sega. Non utilizzare mai una lama troppo spessa per consentire alla rondella della lama esterna di impegnarsi con le parti piatte del mandrino. Rimuovere la vite del braccio della lama inferiore e allentare la vite sul coperchio del bullone della lama finché il gruppo della protezione della lama inferiore può essere sollevato per esporre il bullone della lama.

1. Premere il pulsante di blocco del mandrino mentre si ruota la lama. Il pulsante di blocco del mandrino attiverà il blocco del mandrino (Fig.10).
2. Rimuovere il bullone della lama e la flangia esterna della lama e sostituire la lama. Utilizzare una chiave per allentare il bullone della lama. Nota: questa è una filettatura sinistra, quindi allentala in senso ORARIO. Rimontare la flangia esterna della lama e fissare saldamente il bullone della lama e ricollegare la protezione della lama inferiore (Fig.11).

AVVERTENZA: se la rondella della lama interna è stata rimossa, sostituirla prima di posizionare la lama sul mandrino. La mancata osservanza di questa precauzione potrebbe causare un incidente poiché la lama non si serrerà correttamente.

ATTENZIONE: installare sempre la lama con i denti della lama rivolti verso il basso.

SQUADRARE LA LAMA AL TAVOLO MITRE A 0°

Tirare il braccio della sega completamente verso il basso e innestare il perno di bloccaggio per mantenere il braccio della sega in posizione di trasporto.

Sbloccare la leva di blocco inclinazione e spostare il braccio della sega in posizione 0° e bloccare la leva di blocco inclinazione (Fig.12).

Appoggia la squadra sul tavolo per mitra e contro la lama. Se la lama e il piano di taglio non si allineano, regolate come segue (Fig.13).

1. Svitare il bullone di posizionamento dello smusso a 0° sul lato destro come mostrato (Fig.14).
2. Allineare correttamente la lama e il piano inclinato utilizzando la squadra di regolazione e bloccare la leva di blocco dello smusso.
3. Spostare il braccio della sega fino a quando l'indice tocca il fondo nella posizione del bisello a 0° e serrare il bullone di posizionamento del bisello a 0°. Controllare l'angolo di 0° utilizzando la squadra a 90° dal tavolo alla lama. Se il tavolo e la lama non si allineano, regolare nuovamente il bullone di posizionamento del bisello a 0° fino a quando non è allineato, quindi regolare il puntatore sul segno di 0° e fissarlo serrando la vite dell'indicatore (Fig.15).

SQUADRARE LA LAMA AL TAVOLO MITRE A 45°

1. Spostare il braccio della sega nella posizione inclinata a 45° (Fig.16).
2. Se il braccio della sega non riesce a raggiungere una posizione completa a 45°, il bullone di posizionamento inclinato a 45° dovrà essere ripristinato (Fig.17).
3. Quando il braccio della sega viene spostato in posizione inclinata a 45°, controllare l'angolo di 45° utilizzando una squadra a 45° dal tavolo alla lama. Se il tavolo e la lama non si allineano, regolare nuovamente il bullone di posizionamento a 45° fino all'allineamento. Regolare nuovamente il puntatore sul segno di 45° e fissarlo serrando la vite del puntatore.

REGOLAZIONE DELLA PROFONDITÀ DI TAGLIO

1. Scollegare il cavo di alimentazione.
2. Per regolare la profondità di taglio, sarà necessario applicare una chiave inglese o una chiave regolabile per allentare il dado esagonale.
3. Utilizzare una chiave esagonale per regolare la profondità della vite di regolazione della profondità di taglio. La lama della sega può essere abbassata ruotando la vite in senso antiorario e può essere sollevata ruotando la vite in senso orario.
4. Abbassare la lama nella placca ago della tavola per tagli obliqui, quindi controllare la distanza della lama e la distanza di taglio massima (che è la distanza misurata dalla guida in cui entra la lama) alla parte anteriore della fessura della tavola per tagli obliqui.
5. Regolare di nuovo se necessario.
6. Stringere il dado esagonale.
7. Per evitare che la vite di regolazione della profondità di taglio ruoti, mentre si stringe il dado esagonale, tenerlo con attenzione con la chiave esagonale quando si stringe il dado esagonale (Fig.18).

ACCENSIONE E SPEGNIMENTO (FIG. 19.1, FIG. 19.2)

1. Per accendere la sega, premere e tenere premuto il grilletto di accensione / spegnimento.
2. Per spegnere la sega, rilasciare l'interruttore a grilletto on / off.

ACCENSIONE E SPEGNIMENTO

1. Con un cacciavite allentate e rimuovete la vite che fissa il coperchio del bullone della lama (Fig. 20).
2. Abbassare la protezione della lama rotante, quindi sollevarla insieme al coperchio del bullone della lama. Quando il coprilama rotante è posizionato sopra il coprilama fisso superiore è possibile accedere al bullone della lama (Fig. 21).
3. Tenere sollevata la protezione rotante e premere il pulsante di blocco del mandrino. Ruotate la lama fino a quando il mandrino si blocca (Fig. 22).
4. Utilizzare la chiave esagonale fornita per allentare e rimuovere il bullone della lama. (Allentate in senso orario poiché la vite della lama ha una filettatura sinistrorsa) (Fig. 23).
5. Abbassate la protezione della lama, tenete in posizione la protezione della lama inferiore rotante e il coperchio del bullone della lama e serrate la vite di fissaggio (Fig. 24).

MANUTENZIONE DEGLI STRUMENTI

1. Prima di qualsiasi lavoro sulla macchina stessa, staccare la spina di alimentazione o estrarre il pacco batteria
2. Utilizzare panni puliti e sapone neutro per rimuovere sporco, polvere, ecc.
3. Non usare mai benzina, benzene, diluenti, alcol o simili per pulire gli strumenti, altrimenti gli strumenti potrebbero scolorirsi, deformarsi o creparsi.
4. Tenere pulite le prese d'aria. Pulire tutte le parti dello strumento, pulire periodicamente la polvere per impedire l'ingresso di detriti.
5. Tutti i servizi DEVONO essere eseguiti solo da un centro di assistenza autorizzato.

AVVERTIMENTO: Non lasciare che l'acqua penetri nel motore e nell'utensile completamente immerso nella stoviglia, ciò provocherà malfunzionamenti del motore e scosse elettriche.

PROTEZIONE AMBIENTALE

Ricicla le materie prime invece di smaltirle come rifiuti. La macchina, gli accessori e l'imballaggio devono essere selezionati per il riciclaggio rispettoso dell'ambiente. I componenti in plastica sono etichettati per il riciclaggio classificato.

GARANZIA

Questo prodotto è garantito in conformità con le normative legali / specifiche del paese, in vigore dalla data di acquisto da parte del primo utente. I

danni attribuibili alla normale usura, sovraccarico o uso improprio saranno esclusi dalla garanzia. In caso di reclamo inviare la macchina, completamente assemblata, al proprio rivenditore o al centro assistenza per elettrotensili.

ΕΛΛΗΝΙΚΑ

ΓΕΝΙΚΟΙ ΚΑΝΟΝΕΣ ΑΣΦΑΛΕΙΑΣ

ΠΡΟΕΙΔΟΠΟΙΗΣΗ! Διαβάστε όλες τις οδηγίες. Εάν δεν ακολουθήσετε όλες τις οδηγίες που αναφέρονται παρακάτω, ενδέχεται να προκληθεί ηλεκτροπληξία, πυρκαγιά και ή σοβαρός τραυματισμός.

ΦΥΛΑΞΤΕ ΑΥΤΕΣ ΤΙΣ ΟΔΗΓΙΕΣ

Ο όρος "ηλεκτρικό εργαλείο" σε όλες τις προειδοποιήσεις που αναφέρονται παρακάτω, αναφέρεται στο ηλεκτρικό εργαλείο που λειτουργεί με εναλλασσόμενο ρεύμα (ενσύρματο) ή ηλεκτρικό εργαλείο (χωρίς καλώδιο).

ΧΩΡΟΣ ΕΡΓΑΣΙΑΣ

1. Διατηρείτε το χώρο εργασίας καθαρό και καλά φωτισμένο. Ακατάστατοι και σκοτεινοί χώροι εργασίας προκαλούν ατυχήματα.
2. Μη χρησιμοποιείτε ηλεκτρικά εργαλεία σε περιβάλλον με εκρηκτικά, όπως παρουσία εύφλεκτων υγρών, αερίων ή σκόνης. Τα ηλεκτρικά εργαλεία δημιουργούν σπινθήρες που μπορούν να πυροδοτήσουν σκόνη ή αναθυμιάσεις.
3. Κρατήστε τα παιδιά και τους παρευρισκόμενους μακριά, ενώ χρησιμοποιείτε το ηλεκτρικό εργαλείο. Οι ενοχλήσεις από άλλους μπορεί να σας κάνουν να χάσετε τον έλεγχο

ΗΛΕΚΤΡΙΚΗ ΑΣΦΑΛΕΙΑ

1. Τα βύσματα του ηλεκτρικού εργαλείου πρέπει να ταυρίζουν με την πρίζα. Μη τροποποιείτε το βύσμα με οποιονδήποτε τρόπο. Μη χρησιμοποιείτε προσαρμογείς με γειωμένα ηλεκτρικά βύσματα. Τα μη τροποποιημένα βύσματα και οι αντίστοιχες υποδοχές θα μειώσουν τον κίνδυνο ηλεκτροπληξίας.
2. Αποφύγετε την επαφή του σώματος με γειωμένες επιφάνειες όπως αγωγούς, καλοριφέρ και ψυγεία. Υπάρχει μεγαλύτερος κίνδυνος ηλεκτροπληξίας εάν το σώμα είναι γειωμένο.
3. Μην εκθέτετε ηλεκτρικά εργαλεία σε υγρές συνθήκες. Το νερό που εισέρχεται στο ηλεκτρικό εργαλείο αυξάνει τον κίνδυνο ηλεκτροπληξίας.
4. Μην κάνετε κατάχρηση του καλωδίου. Ποτέ μην χρησιμοποιείτε το καλώδιο για μεταφορά, έλξη ή αποσύνδεση του ηλεκτρικού εργαλείου.
5. Κρατήστε το καλώδιο μακριά από ζεστό λάδι, αιχμηρές άκρες ή κινούμενα μέρη. Τα καλώδια που έχουν υποστεί ζημιά ή έχουν φθορά, αυξάνουν τον κίνδυνο ηλεκτροπληξίας. Όταν χρησιμοποιείτε ηλεκτρικό εργαλείο σε εξωτερικούς χώρους, χρησιμοποιήστε μπαλαντέζα, κατάλληλη για εξωτερική χρήση. Η χρήση καλωδίου κατάλληλου για εξωτερική χρήση μειώνει τον κίνδυνο ηλεκτροπληξίας.

ΠΡΟΣΩΠΙΚΗ ΑΣΦΑΛΕΙΑ

1. Μείνετε σε εγρήγορση, δείτε τι κάνετε και χρησιμοποιήστε την κοινή λογική όταν χρησιμοποιείτε ένα ηλεκτρικό εργαλείο. Μην

χρησιμοποιείτε ηλεκτρικό εργαλείο ενώ είστε «κουρασμένοι ή υπό την επήρεια ναρκωτικών, αλκοόλ ή φαρμάκων». Μια στιγμή απροσεξίας κατά τη λειτουργία ηλεκτρικών εργαλείων, μπορεί να οδηγήσει σε ατομικό τραυματισμό.

2. Χρησιμοποιήστε εξοπλισμό ασφαλείας. Φοράτε πάντα προστασία ματιών. Ο εξοπλισμός ασφαλείας όπως μάσκες σκόνης, αντιοιδηθητικά παπούτσια ασφαλείας, σκληρά καπέλα ή προστατευτικά ακοής που χρησιμοποιούνται υπό κατάλληλες συνθήκες θα μειώσουν τους τραυματισμούς.
3. Αποφύγετε ξαφνικές εκκινήσεις. Βεβαιωθείτε ότι ο διακόπτης είναι στη θέση απενεργοποίησης πριν τον συνδέσετε. Όταν το δάκτυλό σας είναι στο διακόπτη ή όταν συνδέεται τα ηλεκτρικά εργαλεία που έχουν ανοιχτό τον διακόπτη, προκαλούνται ατυχήματα.
4. Αφαιρέστε τυχόν άλλα κλειδιά ή γαλλικά κλειδιά πριν ενεργοποιήσετε το ηλεκτρικό εργαλείο. Ένα κλειδί ή ένα γαλλικό κλειδί συνδεδεμένο σε οποιδήποτε μέρος του ηλεκτρικού εργαλείου μπορεί να προκαλέσει τραυματισμό.
5. Διατηρήστε σωστή θέση και ισορροπία καθ' όλη τη διάρκεια της εργασίας. Αυτό επιτρέπει μεγαλύτερο έλεγχο του ηλεκτρικού εργαλείου σε απρόσμενες καταστάσεις.
6. Ντυθείτε κατάλληλα. Μη φοράτε χαλαρά ρούχα ή κοσμήματα. Κρατήστε τα μαλλιά, τα ρούχα και τα γάντια σας μακριά από χαλαρά μέρη. Χαλαρά ρούχα, κοσμήματα ή μακριά μαλλιά μπορούν να πιαστούν από τα κινούμενα μέρη.
7. Εάν υπάρχουν συσκευές για τη σύνδεση του αναρροφητήρα και των συσκευών συλλογής, βεβαιωθείτε ότι έχουν συνδεθεί και χρησιμοποιούνται σωστά. Η χρήση αυτών των συσκευών μπορεί να μειώσει τον κίνδυνο σκόνης.

ΧΡΗΣΗ ΚΑΙ ΣΥΝΤΗΡΗΣΗ ΗΛΕΚΤΡΙΚΩΝ ΕΡΓΑΛΕΙΩΝ

1. Μην πιέζετε το ηλεκτρικό εργαλείο. Χρησιμοποιήστε το κατάλληλο ηλεκτρικό εργαλείο για την εφαρμογή σας. Το σωστό ηλεκτρικό εργαλείο θα κάνει ασφαλέστερη και πιο αποτελεσματική εργασία, για την οποία σχεδιάστηκε.
2. Μη χρησιμοποιείτε το ηλεκτρικό εργαλείο εάν ο διακόπτης δεν το ενεργοποιεί και απενεργοποιεί. Ένα ηλεκτρικό εργαλείο που δεν μπορεί να ελεγχθεί με το διακόπτη είναι επικίνδυνο και πρέπει να επισκευαστεί.
3. Αποσυνδέστε το φις από την πηγή τροφοδοσίας πριν κάνετε οποιεσδήποτε ρυθμίσεις, αλλάξτε τα σημεία πρόσβασης ή αποθηκεύσετε τα ηλεκτρικά εργαλεία. Αυτά τα μέτρα ασφαλείας μειώνουν τον κίνδυνο τυχαίας εκκίνησης του ηλεκτρικού εργαλείου.
4. Κρατήστε τα μη χρησιμοποιημένα ηλεκτρικά εργαλεία μακριά από οποιονδήποτε παιδί και μην επιτρέπετε σε άτομα που δεν είναι εξοικειωμένα με το ηλεκτρικό εργαλείο ή αυτές τις οδηγίες να το χειρίζονται. Τα ηλεκτρικά εργαλεία είναι επικίνδυνα για άπειρους χρήστες.
5. Συντηρήστε τα ηλεκτρικά εργαλεία. Ελέγξτε

για θραύση εξαρτημάτων και τυχόν άλλες συνθήκες, που ενδέχεται να επηρεάσουν τη λειτουργία των ηλεκτρικών εργαλείων. Εάν έχει υποστεί ζημιά, επισκευάστε το ηλεκτρικό εργαλείο πριν το χρησιμοποιήσετε. Πολλά ατυχήματα προκαλούνται από κακά συντηρημένα ηλεκτρικά εργαλεία.

6. Διατηρήστε καθαρά και τροχισμένα τα κοπτικά εξαρτήματα. Τα σωστά συντηρημένα εξαρτήματα κοπής με κοφτερά άκρα, είναι ευκολότερα στον έλεγχο.
7. Χρησιμοποιήστε το ηλεκτρικό εργαλείο, τα αξεσουάρ, τα εργαλεία κ.λπ., σύμφωνα με τις οδηγίες για τον συγκεκριμένο τύπο ηλεκτρικού εργαλείου, λαμβάνοντας υπόψη τις συνθήκες εργασίας και τις εργασίες που πρέπει να εκτελέσετε. Η χρήση του ηλεκτρικού εργαλείου για άλλες λειτουργίες εκτός από αυτές που προορίζονται μπορεί να προκαλέσει κινδύνους.

ΟΔΗΓΙΕΣ ΑΣΦΑΛΕΙΑΣ ΓΙΑ ΤΟ ΦΑΛΤΣΟΠΡΙΟΝΟ

Όταν χρησιμοποιείτε αυτό το εργαλείο, είναι απαραίτητο να είστε ενήμεροι για τις οδηγίες ασφαλείας που πρέπει να τηρούνται, για να αποφύγετε τον κίνδυνο που μπορεί να προκαλέσει πυρκαγιά, βραχυκύκλωμα και ατυχήματα στους χρήστες. Για την ασφάλεια των χρηστών, διαβάστε προσεκτικά αυτό το εγχειρίδιο πριν χρησιμοποιήσετε το μηχάνημα.

ΚΡΑΤΗΣΤΕ ΤΑ ΠΡΟΣΤΑΤΕΥΤΙΚΑ ΣΤΗ ΘΕΣΗ ΤΟΥΣ ΚΑΙ ΣΕ ΣΕΙΡΑ ΛΕΙΤΟΥΡΓΙΑΣ

Ποτέ μην μπλοκάρτε και μην ανοίγετε το κάτω προστατευτικό του δίσκου. Ελέγξτε τη λειτουργία του κάτω προστατευτικού δίσκου πριν από κάθε χρήση. Μην το χρησιμοποιείτε εάν το κάτω προστατευτικό του δίσκου δεν κλείνει καλά.

ΚΑΛΩΔΙΑ ΕΠΕΚΤΑΣΗΣ ΓΙΑ ΕΞΩΤΕΡΙΚΗ ΧΡΗΣΗ

Όταν το όργανο χρησιμοποιείται σε εξωτερικούς χώρους, χρησιμοποιήστε μόνο καλώδια επέκτασης που προορίζονται για εξωτερική χρήση και επισημαίνονται με αυτόν τον τρόπο.

ΔΙΑΤΗΡΗΣΤΕ ΤΙΣ ΛΕΠΙΔΕΣ ΚΑΘΑΡΕΣ ΚΑΙ ΑΙΧΜΗΡΕΣ

Οι αιχμηρές λεπίδες ελαχιστοποιούν το μπλοκάρισμα και το κλότσημα.

ΚΡΑΤΗΣΤΕ ΤΑ ΧΕΡΙΑ ΜΑΚΡΙΑ ΑΠΟ ΤΗΝ ΠΕΡΙΟΧΗ ΚΟΠΗΣ

Κρατήστε τα χέρια σας μακριά από τις λεπίδες. Μην πλησιάζετε από κάτω ενώ περιστρέφεται ο δίσκος. Μην επιχειρήσετε να αφαιρέσετε το κομμένο υλικό ενώ η λεπίδα βρίσκεται σε κίνηση.

ΠΡΟΕΙΔΟΠΟΙΗΣΗ: Οι λεπίδες περιστρέφονται ελεύθερα μετά τη διακοπή.

ΕΛΕΓΞΤΕ ΤΑΚΤΙΚΑ ΤΟ ΚΑΛΩΔΙΟ

Εάν υποστεί ζημιά, επισκευάστε το σε εξουσιοδοτημένο κέντρο σέρβις. Μείνετε συνεχώς ενήμεροι για τη θέση του καλωδίου και κρατήστε το μακριά από τη λεπίδα.

ΧΡΗΣΙΜΟΠΟΙΗΣΤΕ ΤΟΝ ΟΔΗΓΟ ΚΟΠΗΣ

Χρησιμοποιείτε πάντοτε τον οδηγό κατά την κοπή.

ΠΡΟΤΟΥ ΠΡΑΓΜΑΤΟΠΟΙΗΣΤΕ ΜΙΑ ΚΟΠΗ

Βεβαιωθείτε ότι οι ρυθμίσεις βάθους, λοξότητας και φρεζαρίσματος είναι σωστές.

ΧΡΗΣΙΜΟΠΟΙΗΣΤΕ ΣΩΣΤΕΣ ΛΑΜΕΣ

Μη χρησιμοποιείτε δίσκο με λάθος μέγεθος οπών. Ποτέ μη χρησιμοποιείτε ελαττωματικές ή λανθασμένα ροδέλες και παξιμάδι δίσκου. Η μέγιστη διάσταση του δίσκου είναι 254 mm.

ΑΠΟΦΥΓΕΤΕ ΤΗΝ ΚΟΠΗ ΤΩΝ ΚΑΡΦΙΩΝ

Ελέγξτε και αφαιρέστε όλα τα καρφιά από το υλικό κοπής πριν την κοπή του.

ΠΟΤΕ

Μην αγγίζετε τη λεπίδα ή τα κινούμενα μέρη κατά τη χρήση.

ΠΟΤΕ

Μην ξεκινήσετε το πριόνι όταν η λεπίδα είναι σε επαφή με το αντικείμενο εργασίας.

ΦΩΣ LASER. ΑΚΤΙΝΟΒΟΛΙΑ LASER

Μην κοιτάζετε τη δέσμη φωτός. Ενεργοποιήστε τη δέσμη λέιζερ μόνο όταν το εργαλείο βρίσκεται στο κομμάτι εργασίας.

ΠΡΟΔΙΑΓΡΑΦΕΣ ΠΡΟΪΟΝΤΟΣ

ΠΡΟΒΛΕΠΟΜΕΝΗ ΧΡΗΣΗ

Κοπή σε ξύλο, πλαστικό κλπ, για κουφώματα, καλούπια, πόρτες και λεπτά κουφώματα. Χρησιμοποιήστε τη λεπίδα αλουμινίου μόνο για κοπή αλουμινίου.

ΣΗΜΕΙΩΣΗ: Η παρεχόμενη εγκάρσια λεπίδα είναι για τις περισσότερες εργασίες κοπής ξύλου.

ΤΕΧΝΙΚΑ ΧΑΡΑΚΤΗΡΙΣΤΙΚΑ

Κωδικός Είδους	46 041	
Μοντέλο	SCMS 210 PLUS	
Ονομαστική τάση	V	220-240
Συχνότητα	Hz	50/60
Ονομαστική ισχύς	W	1.450
Αριθμός στροφών χωρίς φορτίο	min ⁻¹	5.000
Διάμετρος πριονόδισκου	mm	210x1,8
Μέγ. ικανότητα κοπής 0° / 90°	mm	62x310
Μέγ. ικανότητα κοπής 0° / 45°	mm	34x310
Μέγ. ικανότητα κοπής 45° / 90°	mm	62x215
Μέγ. ικανότητα κοπής 45° / 45°	mm	34x215
Βάρος	kg	11,0

Τιμές εκπομπής θορύβου, υπολογισμένες κατά EN 62841-1, EN 62841-3-9

Η χαρακτηριστική στάθμη θορύβου του μηχανήματος εξακριβώθηκε σύμφωνα με την καμπύλη Α και ανέρχεται σε:

Στάθμη ακουστικής πίεσης	dB(A)	70
Στάθμη ακουστικής ισχύος	dB(A)	80
Στάθμη ακουστικής ισχύος K	dB	3

Οι συνολικές τιμές κραδασμών αη (άθροισμα ανυσμάτων τριών κατευθύνσεων) και ανασφάλεια K εξακριβώθηκαν σύμφωνα με το πρότυπο EN 62841-1, EN 62841-3-9

Συνολικές τιμές κραδασμών:

a_h	m/s^2	2,5
K	m/s^2	1,5

ΤΑΥΤΟΠΟΙΗΣΗ ΜΕΡΩΝ (ΕΙΚ. 1)

1. Διακόπτης ON / OFF
2. Λέιζερ
3. Προστασία δίσκου
4. Διακόπτης ασφαλείας
5. Λαβή ρύθμισης κλίσης
6. Τραπέζι κοπής
7. Σφιγκτήρας
8. Ασφάλεια λοξής κοπής
9. Σακούλα σκόνης
10. Βίδα ρύθμισης βάθους κοπής
11. Οδηγός
12. Μέτρηση γωνίας
13. Πλάκα κοπής
14. Κλείδωμα γωνίας κοπής
15. Άνω προστατευτικό κάλυμμα δίσκου
16. Λαβή μεταφοράς
17. Οπή εξαγωγής σκόνης

ΛΕΙΤΟΥΡΓΙΑ

ΠΡΟΣΟΧΗ! Πριν ξεκινήσετε οποιαδήποτε εργασία κοπής, βιδώστε το πριόνι σε πάγκο εργασίας. Ποτέ μην χρησιμοποιείτε το πριόνι στο πάτωμα ή σε μια θέση επίκυψης. Η μη τήρηση αυτής της προειδοποίησης μπορεί να οδηγήσει σε σοβαρό τραυματισμό.

ΠΡΟΣΟΧΗ! Χρησιμοποιήστε τη μέγγενη για να στερεώσετε το κομμάτι εργασίας σας μόνο στη μία πλευρά της λεπίδας. Το κομμάτι εργασίας πρέπει να παραμένει ελεύθερο στη μία πλευρά της λεπίδας για να αποφευχθεί η δέσμευση της λεπίδας στο τεμάχιο εργασίας. Η λεπίδα δέσμευσης του τεμαχίου εργασίας θα προκαλέσει διακοπή κινητήρα και λάκτισμα. Αυτή η κατάσταση θα μπορούσε να προκαλέσει ατύχημα με σοβαρό τραυματισμό.

ΕΓΚΑΡΣΙΑ ΚΟΠΗ

Μια εγκάρσια τομή πραγματοποιείται με κοπή κατά μήκος του κόκκου του τεμαχίου εργασίας. Μια εγκάρσια τομή 90° γίνεται με το τραπέζι να βρίσκεται στη θέση μηδενικού βαθμού. Οι περικοπές μικρού χρώματος γίνονται με το τραπέζι κοπής σε κάποια άλλη γωνία εκτός από το μηδέν.

1. Τραβήξτε τον πείρο ασφάλισης και αφήστε το πριόνι στο πλήρες ύψος του.
 2. Ξεκλειδώστε τον πίνακα πολυβόλων.
 3. Περιστρέψτε τον πίνακα φρεζαρίματος έως ότου ο δείκτης ευθυγραμμιστεί με την επιθυμητή γωνία στην κλίμακα του φρεατίου.
 4. Κλειδώστε το κομμάτι κλειδώματος τραπέζιου.
- ΣΗΜΕΙΩΣΗ:** ΈΜπορείτε να γυρίσετε γρήγορα το πλαίσιο 0, 5, 10, 15, 22,5, 25, 31,35, 40, 45° αριστερά ή δεξιά της κλίμακας. Ο Πλάγιος πίνακας μπορεί να τοποθετηθεί σε οποιαδήποτε από τις πέντε εγκοπές, που βρίσκονται στο πλαίσιο του πλάγιου τραπέζιου.
5. Τοποθετήστε το τεμάχιο εργασίας επίπεδο στο λοξό τραπέζι με τη μία άκρη σταθερά πάνω στον οδηγό. Εάν το κοίλο άκρο μιας σανίδας τοποθετηθεί πάνω στον οδηγό, η σανίδα μπορεί να καταρρεύσει πάνω στη λεπίδα όταν ολοκληρωθεί η κοπή και να κλοτσήσει ο δίσκος.
 6. Κατά την παραγωγή μεγάλων κομματιών από ξύλο ή κύτευση, στηρίξτε το αντίθετο άκρο του υλικού με τα στηρίγματα.
 7. Ευθυγραμμίστε τη γραμμή κοπής στο τεμάχιο εργασίας με την άκρη του πριονιού.
 8. Χρησιμοποιήστε τη μέγγενη για να ασφαλίσετε το κομμάτι εργασίας (Εικ. 2.1, Εικ. 2.2).

ΠΡΟΕΙΔΟΠΟΙΗΣΗ! Για να αποφύγετε σοβαρούς τραυματισμούς, κρατήστε τα χέρια σας μακριά από την περιοχή χωρίς χέρια, τουλάχιστον 75 mm από τη λεπίδα. Ποτέ μην εκτελείτε μια λειτουργία κοπής (χωρίς να κρατάτε το τεμάχιο εργασίας στον οδηγό). Η λεπίδα μπορεί να αρπάξει το αντικείμενο εργασίας αν γλιστρήσει ή στρίψει.

9. Πριν γυρίσετε το πριόνι, κάντε μια στεγνή δοκιμή της λειτουργίας κοπής, μόνο για να βεβαιωθείτε ότι δεν παρουσιάζονται προβλήματα κατά την κοπή.
10. Πιάστε καλά τη λαβή του πριονιού, τραβήξτε τη σκανδάλη. Περιμένετε λίγα δευτερόλεπτα για να φτάσει η λεπίδα στη μέγιστη ταχύτητα.
11. Πατήστε το διακόπτη ενεργοποίησης/ απενεργοποίησης λέιζερ για να ενεργοποιήσετε το λέιζερ.
12. Πιάστε το υλικό σταθερά με το ένα χέρι και ασφαλίστε το στην πλάτη. Σφίξτε τη μέγγενη για να στερεώσετε το κομμάτι εργασίας.
13. Απελευθερώστε τη σκανδάλη και αφήστε τη λεπίδα να σταματήσει να περιστρέφεται πριν αφαιρέσετε τη λεπίδα από το κομμάτι εργασίας.

ΛΟΞΗ ΚΟΠΗ (ΕΙΚ. 3)

Μια λοξή κοπή πραγματοποιείται περιστρέφοντας προς την κατεύθυνση του ρόζου από το ξύλο εργασίας τη λεπίδα, υπό γωνία προς τον οδηγό και το τραπέζι. Πραγματοποιείται λοξή κοπή με το επίπεδο και τη λεπίδα σε γωνία μεταξύ 0° και 45°.

1. Αφαιρέστε τον πείρο ασφάλισης και αφήστε το κεφάλι του πριονιού σε πλήρες ύψος.
2. Χαλαρώστε τη λαβή ασφάλισης του τραπέζιου.
3. Περιστρέψτε το γωνιακό τραπέζι έως ότου ο δείκτης ευθυγραμμιστεί με το μηδέν επάνω στην κλίμακα.

4. Κλειδώστε το τραπέζι κοπής περιστρέφοντας το κουμπί κλειδώματος του πίνακα κοπής δεξιά-όστροφα.

ΠΡΟΕΙΔΟΠΟΙΗΣΗ! Για να αποφύγετε σοβαρούς τραυματισμούς, να πιέζετε πάντα το σφικκτήρα του τραπεζιού κοπής προς τα κάτω πριν κόψετε. Εάν δεν το κάνετε αυτό μπορεί να προκληθεί σοβαρός τραυματισμός από ενδεχόμενη κίνηση του τραπεζιού κοπής κατά την κοπή.

5. Χαλαρώστε το μοχλό ασφάλισης λοξής κοπής και μετακινήστε την κεφαλή του πριονιού προς τα αριστερά στην επιθυμητή γωνία.
6. Οι στρογγυλεμένες γωνίες μπορούν να ρυθμιστούν από 0° έως 45°.
7. Ευθυγραμμίστε το σημείο του δείκτη με την επιθυμητή γωνία.
8. Μόλις ο βραχίονας του πριονιού ρυθμιστεί στην επιθυμητή γωνία, σφίξτε σταθερά το μοχλό ασφάλισης κλίσης.
9. Τοποθετήστε το τεμάχιο εργασίας επίπεδο στο κεκλιμένο τραπέζι με μια άκρη σταθερά πάνω στον οδηγό. Εάν το πλαίσιο παραμορφώνεται, τοποθετήστε την κυρτή πλευρά ενάντια. Εάν το κοίλο άκρο του πίνακα τοποθετηθεί πάνω στον οδηγό, το πλαίσιο μπορεί να λυγίσει. Συμπύξτε τη λεπίδα στο τέλος της κοπής, κλειδώνοντας τη λεπίδα.
10. Κατά την τοποθέτηση μεγάλων κομματιών από ξύλο ή χύτευση, στηρίξτε το άκρο προεξοχής του αποθέματος με τα στηρίγματα υλικού.
11. Ευθυγραμμίστε τη γραμμή κοπής του τεμαχίου προς την άκρη του πριονιού.
12. Πιάστε το απόθεμα σταθερά με το ένα χέρι και ασφαλίστε το πάνω στην πλάτη. Σφίξτε το καπάκι για να στερεώσετε το κομμάτι εργασίας.

ΠΡΟΕΙΔΟΠΟΙΗΣΗ! Για να αποφύγετε σοβαρό τραυματισμό, κρατήστε τα χέρια σας μακριά από την περιοχική τουλάχιστον 75 mm από τη λεπίδα. Ποτέ μην εκτελείτε λειτουργία κοπής ελεύθερου (χωρίς να κρατάτε το τεμάχιο εργασίας στον οδηγό). Η λεπίδα μπορεί να αρπάξει το αντικείμενο εργασίας αν γλιστρήσει ή στρίψει.

13. Πριν δουλέψετε το πριόνι, ελέγξτε τη λειτουργία του με κοπή χωρίς φορτίο, για να βεβαιωθείτε ότι δεν παρουσιάζονται προβλήματα κατά την κοπή.
14. Κρατήστε η λαβή του πριονιού σταθερά και μετά τραβήξτε τη σκανδάλη. Περιμένετε λίγα δευτερόλεπτα για να φτάσει η λεπίδα στη μέγιστη ταχύτητα.
15. Πατήστε το διακόπτη ενεργοποίησης/ απενεργοποίησης λέιζερ για να ενεργοποιήσετε το λέιζερ.
16. Ξεκλειδώστε το κάτω κουμπί ασφάλισης ασφαλείας και κατεβάστε αργά τη λεπίδα μέσα και μέσα από το τεμάχιο εργασίας.
17. Απελευθερώστε τη σκανδάλη και αφήστε τη λεπίδα πριονιού να σταματήσει να περιστρέφεται πριν σηκώσετε τη λεπίδα από το κομμάτι εργασίας.

ΣΥΝΘΕΤΗ ΠΛΑΓΙΑ ΚΟΠΗ

Η σύνθετη κοπή είναι μια τομή που γίνεται χρησιμοποιώντας γωνία υπό κλίση και γωνία στο οριζόντιο επίπεδο την ίδια στιγμή. Αυτός ο τύπος κοπής χρησιμοποιείται για την κατασκευή κουφωμάτων, την κοπή καλυπνίων, την κατασκευή κουτιών με κεκλιμένους τοίχους και για ορισμένες τομές οροφής. Για να εκτελέσετε αυτόν τον τύπο κοπής, ο πίνακας κοπής πρέπει να περιστραφεί στη σωστή γωνία και ο βραχίονας πριονιού πρέπει να ρυθμιστεί στη σωστή γωνία κλίσης. Θα πρέπει πάντα να προσέχετε κατά τον καθορισμό σύνθετων καρτελών λόγω της αλληλεπίδρασης των δύο ρυθμίσεων γωνίας. Οι ρυθμίσεις των παραμέτρων κλίσης και λοξοτομής είναι αλληλεξαρτώμενες. Κάθε φορά που προσαρμόζετε τη ρύθμιση λοξότητας, αλλάζει το αποτέλεσμα της ρύθμισης λοξότητας. Επίσης, κάθε φορά που προσαρμόζετε τη ρύθμιση λοξότητας, αλλάζει το αποτέλεσμα της ρύθμισης καρτέλας. Μπορεί να απαιτηθούν αρκετές ρυθμίσεις για να επιτευχθεί η επιθυμητή περικοπή. Η ρύθμιση της πρώτης γωνίας πρέπει να ελεγχθεί μετά την της δεύτερης γωνίας, καθώς η ρύθμιση της δεύτερης γωνίας επηρεάζει την πρώτη. Μόλις και τα δύο οι ρυθμίσεις είναι σωστές για κυκλική κοπή, εκτελείτε πάντα μια δοκιμαστική περικοπή σε θραύσματα ξύλου πριν κάνετε μια τελική κοπή σε καλό ξύλο.

1. Τραβήξτε έξω τον πείρο ασφάλισης και στερεώστε την κεφαλή του πριονιού στο πλήρες ύψος της.
2. Χαλαρώστε το κουμπί κλειδώματος τραπεζιού.
3. Περιστρέψτε τον πίνακα φρεζαρίσματος έως ότου ο δείκτης ευθυγραμμιστεί με την επιθυμητή γωνία στην κλίμακα φρεζαρίσματος.
4. Σφίξτε το κουμπί κλειδώματος του τραπεζιού.
5. Χαλαρώστε το μοχλό ασφάλισης λοξής κοπής και μετακινήστε το βραχίονα του πριονιού προς τα αριστερά στην επιθυμητή γωνία κλίσης.
6. Οι στρογγυλεμένες γωνίες μπορούν να ρυθμιστούν από 0° έως 45°.
7. Ευθυγραμμίστε το σημείο του δείκτη με την επιθυμητή γωνία.
8. Όταν ο βραχίονας του πριονιού έχει ρυθμιστεί στην επιθυμητή γωνία, σφίξτε σταθερά το μοχλό ασφάλισης λοξής τομής.
9. Τοποθετήστε το υλικό εργασίας στο τραπέζι λοξής κοπής με τη μία άκρη σταθερά πάνω στον οδηγό. Η κυρτή πλευρά πάνω στο φράξι. Εάν το υλικό είναι στραβό, τοποθετήστε την κοίλη πλευρά κόντρα στον οδηγό. Εάν το κοίλο άκρο του υλικού τοποθετείται κόντρα στον οδηγό, μπορεί να καταρρεύσει πάνω στη λεπίδα στο τέλος της κοπής, μπλοκάροντας τη λεπίδα.
10. Κατά την παραγωγή μεγάλων κομματιών από ξύλο ή χύτευση, στηρίξτε το αντίθετο άκρο του αποθέματος με τα στηρίγματα υλικού.
11. Ευθυγραμμίστε τη γραμμή κοπής στο τεμάχιο εργασίας με την άκρη του πριονιού.
12. Πιάστε το κομμάτι εργασίας σταθερά με το ένα χέρι και ασφαλίστε το στον οδηγό. Σφίξτε τη μέγνηνη για να στερεώσετε το κομμάτι ερ-

γασίας.

13. Πριν ξεκινήσετε το πριόνι, εκτελέστε έναν στεγνό κύκλο της λειτουργίας κοπής για να βεβαιωθείτε ότι δεν παρουσιάζονται προβλήματα κατά την κοπή.
14. Πατήστε το διακόπτη ενεργοποίησης/ απενεργοποίησης λείζερ για να ενεργοποιήσετε το λείζερ.
15. Πιάστε καλά τη λαβή του πριονιού και μετά τραβήξτε τη σκανδάλη και αφήστε μερικά δευτερόλεπτα για να φτάσει η λεπίδα σε πλήρη ταχύτητα.
16. Απελευθερώστε τη σκανδάλη και αφήστε τη λεπίδα να σταματήσει να περιστρέφεται πριν σηκώσετε τη λεπίδα από το κομμάτι εργασίας.

ΚΟΠΗ ΜΕΓΑΛΥΤΕΡΩΝ ΚΟΜΜΑΤΙΩΝ ΜΕ ΣΥΡΟΜΕΝΗ ΚΙΝΗΣΗ

1. Όταν κόβετε μεγάλα τεμάχια εργασίας με ολισθαίνουσα κίνηση, το υλικό εργασίας είναι ακριβώς τοποθετημένο στον πίσω οδηγό και στερεώνεται σταθερά στη μέγνηση.
2. Πιάστε καλά τη λαβή του πριονιού.
3. Σύρετε την κεφαλή κοπής του οπίσθιου οδηγού στην πιο ακραία θέση και στη συνέχεια, πατήστε τη σκανδάλη.
4. Κατεβάστε αργά τη λεπίδα μέσα από το υλικό εργασίας και σπρώξτε την κεφαλή κοπής για να περάσετε τη λεπίδα μέσω του μεγαλύτερου τεμαχίου προς τον πίσω οδηγό.

ΠΡΟΕΙΔΟΠΟΙΗΣΗ! Ποτέ μην ασκείτε υπερβολική δύναμη στη λαβή του πριονιού προς τη δεξιά ή την αριστερή κατεύθυνση, καθώς αυτό θα μπορούσε να ευθυγραμμίσει την κεφαλή και να προκαλέσει ανακρίβη κοπή.

ΑΚΤΙΝΑ ΛΕΙΖΕΡ

Το φως δέσμης λείζερ παρέχει μια οδηγία που δείχνει με ακρίβεια μια γραμμή όπου η λεπίδα πρέπει να κόψει στο κομμάτι εργασίας από το τραπέζι. Η δέσμη λείζερ μπορεί να ενεργοποιηθεί όπως απαιτείται:

Πατήστε το διακόπτη ενεργοποίησης / απενεργοποίησης λείζερ για να ενεργοποιήσετε το λείζερ και πατήστε ξανά το διακόπτη για να απενεργοποιήσετε το λείζερ. Το καλώδιο δικτύου παρέχει ισχύ στο λείζερ. Η δέσμη λείζερ πρέπει να ευθυγραμμιστεί πριν χρησιμοποιηθεί για την πρώτη μέτρηση. Ρυθμίστε τον πάγκο σε γωνιακή θέση 0°. Χαλαρώστε ελαφρώς τη βίδα ευθυγράμμισης λείζερ. Ενεργοποιήστε το λείζερ έτσι ώστε να δείχνει ακριβώς 0°.

ΕΦΑΡΜΟΓΕΣ

Για να αποφύγετε τυχαία εκκίνηση που θα μπορούσε να προκαλέσει σοβαρό τραυματισμό, βεβαιωθείτε ότι όλα τα μέρη είναι συναρμολογημένα, οι ρυθμίσεις είναι σωστές και ότι όλοι οι συνδετήρες είναι ασφαλείς πριν συνδέσετε το πριόνι στην τροφοδοσία ρεύματος. Το πριόνι δεν πρέπει ποτέ να είναι συνδεδεμένο για τροφοδοσία ρεύματος όταν συναρμολογείτε εξαρτήματα, κάνετε ρυθμίσεις, εγκαθιστάτε ή αφαιρείτε λεπί-

δες ή όταν δεν χρησιμοποιείται.

ΠΡΟΣΑΡΤΗΜΑ ΜΕΓΓΕΝΗΣ (ΕΙΚ. 7)

Για να ασφαλίσετε τη μέγνηση, σπρώξτε τη στρογγυλή ράβδο στήριξης στην τρύπα στερέωσης της μέγνησης και περιστρέψτε το πίσω κουμπί ασφάλισης δεξιόστροφα για να το ασφαλίσετε.

ΣΑΚΟΥΛΑ ΑΠΟΡΡΙΜΜΑΤΩΝ (ΕΙΚ. 8)

Ασφαλίστε τη σακούλα σκόνης πιέζοντας ταυτόχρονα τα δύο μεταλλικά ελατήρια.

ΚΛΕΙΔΩΜΑ ΠΕΙΡΟΥ (ΕΙΚ. 9)

Το μηχανήμα σας είναι εξοπλισμένο με πείρο ασφάλισης για τη διευκόλυνση της μεταφοράς. Για να ξεκλειδώσετε την κεφαλή, τραβήξτε τον πείρο και τραβήξτε τον βραχίονα του πριονιού στην κατακόρυφη θέση.

Για να αποτρέψετε την ολίσθηση της κεφαλής του πριονιού κατά τη μεταφορά, κλειδώστε το κουμπί ασφάλισης ολίσθησης όπως φαίνεται στην εικόνα.

ΡΥΘΜΙΣΗ ΚΑΡΤΕΛΑΣ 0-45°

Η κλίση του μηχανήματος κάνει κοπές από 0° έως 45° προς τα δεξιά και τα αριστερά, με θέσεις στο 0, 5, 10, 15, 22.5, 25, 31, 35, 40, 45°. Χαλαρώστε το κουμπί, κλειδώστε το επίπεδο κοπής και μετακινήστε το επίπεδο κοπής στην επιθυμητή γωνία κοπής. Σφίξτε το λοξό κουμπί ασφάλισης τραπέζιού για να ασφαλίσετε το τραπέζι στη θέση του.

ΟΔΗΓΟΣ

Ο οπισθιος οδηγός του συρόμενου πριονιού σας, παρέχεται για να συγκρατεί το αντικείμενο εργασίας σας με ασφάλεια σε όλες τις κοπές.

ΑΥΤΟΣΥΡΟΜΕΝΗ ΠΡΟΣΤΑΣΙΑ ΚΑΤΩ ΛΕΠΙΔΑΣ

Το κάτω προστατευτικό λεπίδας είναι κατασκευασμένο για αντοχή σε κραδασμούς διαφανές πλαστικό, που παρέχει προστασία από κάθε πλευρά της λεπίδας. Οπισθοχωρεί πάνω από το άνω προστατευτικό λεπίδας καθώς το πριόνι κατεβαίνει στο κομμάτι εργασίας.

ΠΡΟΕΙΔΟΠΟΙΗΣΗ: Βεβαιωθείτε πάντα ότι το σύνθετο πριόνι είναι καλά στερεωμένο σε πάγκο εργασίας ή σε εγκρεμμένο πάγκο εργασίας. Εάν δεν το κάνετε, μπορεί να προκληθεί ατύχημα που θα προκαλέσει σοβαρό τραυματισμό.

ΗΛΕΚΤΡΙΚΗ ΣΥΝΔΕΣΗ

Το πριόνι έχει ηλεκτρικό κινητήρα ακριβείας. Θα πρέπει να συνδεθεί σε μια τροφοδοσία που είναι 240 βολτ AC, 50-60Hz, μόνο (κανονικό ρεύμα οικιακής χρήσης). Μη χρησιμοποιείτε αυτό το εργαλείο με συνεχές ρεύμα (DC). Μία πτώση τάσης θα προκαλέσει απώλεια ισχύος και ο κινητήρας θα υπερθερμανθεί. Εάν το εργαλείο σας δεν λειτουργεί όταν συνδέεται σε πρίζα, ελέγξτε ξανά το τροφοδοτικό.

ΠΡΟΕΙΔΟΠΟΙΗΣΗ: Η λειτουργία οποιουδήποτε ηλεκτρικού εργαλείου σας, γεγονός που μπορεί να

οδηγήσει σε σοβαρή βλάβη στα μάτια. Πριν ξεκινήσετε τη λειτουργία του ηλεκτρικού εργαλείου, πάντα να φοράτε προστατευτικά γυαλιά ή γυαλιά ασφαλείας με πλαϊνές ασπίδες και πλήρη ασπίδα προσώπου όταν χρειάζεται. Προτεινουμε μια μάσκα ασφαλείας ευρείας όρασης για χρήση με γυαλιά ή στάνταρ γυαλιά με πλευρικές ασπίδες.

ΠΡΟΕΙΔΟΠΟΙΗΣΗ: Μην προσπαθήσετε να τροποποιήσετε αυτό το εργαλείο ή να δημιουργήσετε αξεσουάρ που δεν συνιστώνται για χρήση με αυτό το εργαλείο. Οποιαδήποτε τέτοια αλλαγή ή τροποποίηση είναι κατάχρηση και θα μπορούσε να οδηγήσει σε επικίνδυνη κατάσταση με πιθανό σοβαρό προσωπικό τραυματισμό.

ΡΥΘΜΙΣΗ

Το σύνθετο πριόνι έχει ρυθμιστεί στο εργοστάσιο για ακριβείς κοπές. Ωστόσο, ορισμένα από τα εξαρτήματα ενδέχεται να είχαν αφαιρεθεί κατά την αποστολή. Επίσης, μετά από κάποιο χρονικό διάστημα πιθανόν να χρειαστεί ρύθμιση λόγω της φθοράς. Εάν αποσυσκευάσετε το πριόνι, ελέγξτε τις ακόλουθες ρυθμίσεις, πριν αρχίσετε να το χρησιμοποιείτε. Πραγματοποιήστε τυχόν απαραίτητες ρυθμίσεις και ελέγχετε περιοδικά την ευθυγράμμιση των εξαρτημάτων για να βεβαιωθείτε ότι το πριόνι σας είναι σωστό.

ΠΡΟΕΙΔΟΠΟΙΗΣΗ: Για να αποφύγετε τυχαία εκκίνηση που θα μπορούσε να προκαλέσει πιθανό σοβαρό προσωπικό τραυματισμό, συναρμολογήστε όλα τα μέρη στο πριόνι πριν το συνδέσετε στο τροφοδοτικό. Το πριόνι δεν πρέπει ποτέ να συνδέεται με το τροφοδοτικό όταν συναρμολογείτε εξαρτήματα, κάνετε ρυθμίσεις, εγκαθιστάτε ή αφαιρείτε λεπίδες ή όταν δεν χρησιμοποιείται.

ΑΝΤΙΚΑΤΑΣΤΑΣΗ ΛΕΠΙΔΑΣ

ΚΙΝΔΥΝΟΣ: Ο δίσκος διαμέτρου 254 mm x 2,0 mm είναι η μέγιστη χωρητικότητα του πριονιού. Ποτέ μην χρησιμοποιείτε δίσκο που είναι πάρα πολύ παχύς. Αφαιρέστε τη βίδα του κάτω βραχίονα του δίσκου και χαλαρώστε τη βίδα από το παξιμάδι του καλύμματος της λεπίδας έως ότου το κάτω κάλυμμα μπορεί να σηκωθεί για να βγει το παξιμάδι της λεπίδας.

1. Πιέστε το κλειδί ενώ περιστρέψετε τη λεπίδα. Το κλειδί του άξονα θα διακόψει την περιστροφή του δίσκου.
2. Αφαιρέστε το μπουλόνι της λεπίδας και την εξωτερική φλάντζα του δίσκου και αντικαταστήστε τον. Χρησιμοποιήστε το κλειδί για να χαλαρώσετε το μπουλόνι της λεπίδας. Σημειώστε ότι έχει αριστερόστροφο σπείρωμα, επομένως χαλαρώνεται με τη φορά του ρολογιού. Επανατοποθετήστε την εξωτερική φλάντζα της λεπίδας και ασφαλίστε το μπουλόνι της λεπίδας - σωστά και τοποθετήστε ξανά το κάτω προστατευτικό της λεπίδας.

ΠΡΟΕΙΔΟΠΟΙΗΣΗ: Εάν η εσωτερική ροδέλλα του δίσκου έχει αφαιρεθεί, αντικαταστήστε τη πριν τοποθετήσετε το δίσκο στον άξονα. Σε αντίθετη περίπτωση θα μπορούσε να προκληθεί ατύχημα, καθώς

η λεπίδα δε θα μπορούσε να γίνει σωστά.

ΠΡΟΣΟΧΗ: Να τοποθετείτε πάντα τον δίσκο με τα δόντια του δίσκου να δείχνουν προς τα κάτω.

ΚΑΘΕΤΗ ΤΟΠΟΘΕΤΗΣΗ ΤΟΥ ΔΙΣΚΟΥ ΣΤΟ ΤΡΑΠΕΖΙ ΚΟΠΗΣ ΣΤΙΣ 0°

Τραβήξτε το βραχίονα του πριονιού προς τα κάτω και ασφαλίστε τον πέδρο ασφάλισης για να κρατήσετε τον βραχίονα του πριονιού στη θέση μεταφοράς. Ξεκλειδώστε το μοχλό ασφάλισης λοξής κοπής, μετακινήστε το βραχίονα πριονιού στη θέση 0° και κλειδώστε το μοχλό ασφάλισης λοξής κοπής (Εικ. 12).

Εάν ο δίσκος και ο οδηγός δεν ευθυγραμμίζονται ρυθμίστε ως εξής (Εικ. 13).

1. Ξεβιδώστε το μπουλόνι ρύθμισης λοξής κοπής 0° στη δεξιά πλευρά, όπως φαίνεται (Εικ. 14).
2. Ευθυγραμμίστε σωστά τον δίσκο χρησιμοποιώντας τα τετράγωνο και κλειδώστε το μοχλό ασφάλισης λοξής κοπής.
3. Μετακινήστε το βραχίονα πριονιού μέχρι να τερματίσει στις 0° και σφίξτε το μπουλόνι τοποθέτησης. Ελέγξτε τη γωνία 0° χρησιμοποιώντας γωνία 90° μεταξύ του τραπέζι και του δίσκου. Εάν το τραπέζι και ο δίσκος δεν ευθυγραμμιστούν, ρυθμίστε ξανά το μπουλόνι ρύθμισης λοξής κοπής στις 0° χωρίς ευθυγράμμιση και στη συνέχεια, ρυθμίστε το δείκτη στο σημάδι 0° και ασφαλίστε βιδώνοντας τη βίδα του δείκτη (Εικ. 15).

ΤΟΠΟΘΕΤΗΣΗ ΤΟΥ ΔΙΣΚΟΥ ΣΤΟ ΤΡΑΠΕΖΙ ΚΟΠΗΣ ΣΤΙΣ 45°

1. Μετακινήστε το βραχίονα του πριονιού στη θέση λοξής κοπής στις 45° (Εικ. 6).
2. Εάν ο βραχίονας του πριονιού δεν μπορεί να φτάσει σε πλήρη θέση στις 45°, θα πρέπει να επαναρρυθμιστεί το μπουλόνι τοποθέτησης λοξής κοπής στις 45° (Εικ. 7).
3. Όταν ο βραχίονας του πριονιού μετακινείται προς τα έξω σε θέση λοξής κοπής στις 45°, ελέγξτε τη γωνία 45° χρησιμοποιώντας ένα μοιρογνωμόνιο. Εάν το τραπέζι και η λεπίδα δεν ευθυγραμμίζονται, ρυθμίστε ξανά το μπουλόνι τοποθέτησης στις 45° χωρίς ευθυγράμμιση. Προσαρμόστε ξανά το μοιρογνωμόνιο στις 45° και διορθώστε τον με τη βίδα του δείκτη.

ΒΑΘΟΣ ΠΡΟΣΑΡΜΟΓΗΣ ΚΟΠΗΣ

1. Αποσυνδέστε το καλώδιο τροφοδοσίας.
2. Για να ρυθμίσετε το βάθος κοπής, θα πρέπει να εφαρμόσετε ένα κλειδί ή ένα ρυθμιζόμενο κλειδί για να χαλαρώσετε το εξάγωνο παξιμάδι.
3. Χρησιμοποιήστε ένα εξάγωνο κλειδί για να ρυθμίσετε το βάθος της βίδας ρύθμισης κοπής. Η λεπίδα πριονιού μπορεί να χαμηλώσει περιστρέφοντας τη βίδα αριστερόστροφα και μπορεί να ανυψωθεί περιστρέφοντας τη βίδα δεξιόστροφα.
4. Χαμηλώστε τη λεπίδα στην πλάκα του οδηγού και, στη συνέχεια, ελέγξτε το διάκενο της λεπίδας και τη μέγιστη απόσταση κοπής (που είναι η απόσταση μετρείται από το φράχτη όπου

μπαίνει η λεπίδα) μέχρι το μπροστινό μέρος της υποδοχής τραπέζιου.

5. Προσαρμόστε ξανά εάν είναι απαραίτητο.
6. Σφίξτε το εξάγωνο παξιμάδι.
7. Για να αποτρέψετε το στρίψιμο του κοιλία ρύθμισης κοπής, ενώ σφίγγετε το εξάγωνο παξιμάδι, κρατήστε το προσεκτικά με το εξάγωνο.

ΕΝΕΡΓΟΠΟΙΗΣΗ ΚΑΙ ΑΠΕΝΕΡΓΟΠΟΙΗΣΗ

(ΕΙΚ. 19.1, ΕΙΚ. 19.2)

1. Για να ενεργοποιήσετε το πριόνι πιέστε και κρατήστε πατημένο το διακόπτη ενεργοποίησης / απενεργοποίησης.
2. Για να απενεργοποιήσετε το πριόνι, αφήστε τον διακόπτη ενεργοποίησης / απενεργοποίησης.

ΕΝΕΡΓΟΠΟΙΗΣΗ ΚΑΙ ΑΠΕΝΕΡΓΟΠΟΙΗΣΗ

1. Χαλαρώστε το κατασβίδι και αφαιρέστε τη βίδα που συγκρατεί το κάλυμμα του μπουλονιού της λεπίδας (Εικ. 20).
2. Τραβήξτε το προστατευτικό της λεπίδας προς τα κάτω και στη συνέχεια, στρέψτε το μαζί με το κάλυμμα του μπουλονιού. Όταν ο προφυλακτήρας λεπίδας είναι τοποθετημένος πάνω από το άνω προστατευτικό του δίσκου, είναι δυνατή η πρόσβαση στον κοιλία του δίσκου (Εικ. 21).
3. Κρατήστε πατημένο το προστατευτικό περιστροφής και πατήστε το κουμπί ασφάλισης. Περιστρέψτε το δίσκο μέχρι να κλειδώσει (Εικ. 22).
4. Χρησιμοποιήστε το εξαγωνικό κλειδί που παρέχεται για να χαλαρώσετε και να αφαιρέσετε το μπουλόνι της λεπίδας. (Χαλαρώστε σε δεξιόστροφη κατεύθυνση καθώς η βίδα του δίσκου είναι αριστερόστροφη) (Εικ. 23).
5. Χαμηλώστε το προστατευτικό της λεπίδας, κρατήστε το κάτω προστατευτικό της λεπίδας και το κάλυμμα του μπουλονιού λεπίδας στη θέση του και βιδώστε τη βίδα στερέωσης (Εικ. 24).

ΣΥΝΤΗΡΗΣΗ ΕΡΓΑΛΕΙΩΝ

1. Πριν από οποιαδήποτε εργασία στο ίδιο το μηχάνημα, τραβήξτε το βύσμα τροφοδοσίας ή βγάλτε το από τον συσσωρευτή.
2. Χρησιμοποιήστε καθαρά πανιά και ήπιο σαπούνι για να αφαιρέσετε τη βρωμιά, τη σκόνη κ.λπ.
3. Ποτέ μη χρησιμοποιείτε βενζίνη, βενζόλιο, αραιωτικό, αλκοόλ ή παρόμοια για καθαρισμό των εργαλείων. Διαφορετικά θα προκληθεί δυσχρωμία, παραμόρφωση ή σπασίματα των εργαλείων.
4. Κρατήστε τους αεραγωγούς καθαρούς. Καθαρίζετε όλα τα μέρη του εργαλείου και καθαρίζετε περιοδικά τη σκόνη. Να αποτρέπετε την είσοδο σκουπιδιών.
5. Όλες οι υπηρεσίες ΠΡΕΠΕΙ να εκτελούνται μόνο στο εξουσιοδοτημένο Κέντρο Εξυπηρέτησης. Χρησιμοποιείτε πάντα γνήσια αξεσουάρ που ενδείκνυνται για αυτό το εργαλείο.

ΠΡΟΕΙΔΟΠΟΙΗΣΗ: Μην αφήνετε το νερό να εισέλθει στο ηλεκτρικό μοτέρ και το εργαλείο να βυθιστεί πλήρως, κάτι που θα οδηγήσει σε δυσλειτουργία του κινητήρα και ηλεκτροσόκ.

ΠΡΟΣΤΑΣΙΑ ΤΟΥ ΠΕΡΙΒΑΛΛΟΝΤΟΣ

Ανακυκλώστε πρώτες ύλες αντί να τα απορρίψετε. Τα μηχανήματα, τα αξεσουάρ και οι συσκευασίες πρέπει να ταξινομούνται για φιλική προς το περιβάλλον ανακύκλωση. Τα πλαστικά εξαρτήματα επισημαίνονται για κατηγοριοποιημένη ανακύκλωση.

ΕΓΓΥΗΣΗ

Αυτό το προϊόν είναι εγγυημένο σύμφωνα με τους νόμους / ειδικούς κανονισμούς ανά χώρα, από την ημερομηνία αγοράς από τον πρώτο χρήστη. Ζημιές που οφείλονται σε φυσιολογική φθορά, υπερφόρτωση ή ακατάλληλο χειρισμό θα εξαιρεθούν από την εγγύηση. Σε περίπτωση αξίωσης, στείλτε το μηχάνημα, πλήρως συναρμολογημένο, στον αντιπρόσωπό σας ή στο κέντρο σέρβις για ηλεκτρικά εργαλεία.

SRPSKI

OPŠTA PRAVILA BEZBEDNOSTI

UPOZORENJE! Pročitajte sva uputstva. Nepoštovanje svih dole navedenih uputstava može dovesti do električnog šoka, požara i/ili ozbiljnih ličnih povreda.

SACUVAJ OVA UPUTSTVA

Termin "alatka za napajanje" u svim dole navedenim upozorenjima odnosi se na glavnu alatku za napajanje (kabliranu) ili alatku za napajanje koja radi (bez kablova).

RADNOM MESTU

1. Održavajte radno mesto čistim i dobro osvetljenim. Pretrpana i mračna radna mesta prisluskuju nesreće.
2. Ne upravljajte alatima za napajanje u eksplozivnim atmosferama, kao što je prisustvo zapaljive tečnosti, gasova ili prašine. Alati za napajanje stvaraju varnice koje mogu da zapale prašinu ili isparenja.
3. Držite decu i prolaznike podalje dok rade alat za napajanje. Ometanje može dovesti do toga da izgubite kontrolu.

ELEKTRIČNA BEZBEDNOST

1. Utičnice za napajanje moraju da se podudaraju sa utičnicom. Nikada ne menjaj utikač na bilo koji način. Nemojte koristiti adapterske utičnice sa zemljanim (prizemljenim) alatima za napajanje. Nemodifikovani utikači i odgovarajuće utičnice smanjuju rizik od električnog šoka.
2. Izbegavajte kontakt tela sa zemljanim ili prizemljenim površinama kao što su konduiti, radijatori i frižideri. Postoji povećan rizik od električnog šoka ako je vaše telo prizemljeno ili prizemljeno.
3. Ne izlažite alate za napajanje kiši ili vlažnim uslovima. Ulazak vode u alat za napajanje povećava rizik od električnog šoka.
4. Ne zloupotrebljavajte kabl. Nikada ne koristite kabl za nošenje, povlačenje ili isključivanje alatke za napajanje.
5. Držite kabl dalje od toplotnog ulja, oštarih ivica ili pokretnih delova. Oštećeni ili zapleteni kablovi povećavaju rizik od električnog šoka. Kada upravljate alatom za napajanje na otvorenom, koristite produžni kabl pogodan za korišćenje na otvorenom. Upotreba kabla pogodnog za upotrebu na otvorenom smanjuje rizik od električnog šoka.

LIČNA BEZBEDNOST

1. Budite na oprezu, pazite šta radite i koristite zdrav razum prilikom rada alata za napajanje. Nemojte koristiti sredstvo za napajanje dok ste umorni ili pod uticajem droga, alkohola ili lekova. Trenutak nepažnje prilikom rada alata za napajanje može rezultirati ozbiljnim ličnim povredama.
2. Koristite sigurnosnu opremu. Uvek nosi zaštitu očiju. Sigurnosna oprema kao što su maska za

prašinu, sigurnosne cipele bez kočenja, tvrdi šešir ili zaštita sluha koja se koristi za odgovarajuće uslove smanjujuće povrede osoba-al.

3. Sprečite nenamerno pokretanje. Uverite se da je prekidač u van pozicije pre nego što se povežete sa izvorom napajanja i/ili baterijom, pokupite ili nosite alatku. Nošenje alata za napajanje prstom na prekidaču ili energizacija alata za napajanje koji imaju prekidač poziva na nezgode.
4. Uklonite bilo koji taster za podešavanje ili ključ pre uključivanja alatke za napajanje. Ključ ili ključ levo prikačen na rotirajući deo alatke za napajanje mogu da rezultiraju ličnim povredama.
5. Ne preterujte. Održavajte pravilno uporište i ravnotežu sve vreme. Ovo omogućava bolju kontrolu alatke za napajanje u neočekivanim situacijama.
6. Obucite se kako treba. Ne nosite labavu odeću ili nakit. Držite kosu, odeću i rukavice dalje od pokretnih delova. Labava odeća, nakit ili duga kosa mogu se uhvatiti u pokretnim delovima.
7. Ako su uređaji obezbeđeni za povezivanje objekata za vađenje prašine i prikupljanje, uverite se da su povezani i pravilno korišćeni. Upotreba ovih uređaja može da smanji opasnosti vezane za prašinu.

UPOTREBA I NEGA ALATA ZA NAPAJANJE

1. Ne forsirajte alat za napajanje. Koristite ispravnu alatku za napajanje za aplikaciju. Ispravan alat za napajanje će raditi posao bolje i bezbednije brzinom za koju je dizajniran.
2. Nemojte koristiti alat za napajanje ako ga prekidač ne uključuje i ne uključuje. Svaki alat za napajanje koji se ne može kontrolisati prekidačem je opasan i mora se popraviti.
3. Isključite utikač iz izvora napajanja pre nego što izvršite bilo kakva podešavanja, promenite pribor ili uskladištite alatke za napajanje. Takve preventivne mere bezbednosti smanjuju rizik od slučajnog pokretanja alata za napajanje.
4. Skladištite alate za napajanje u snazi van domašaja dece i ne dozvolite osobama koje nisu upoznate sa alatom za napajanje ili ovim uputstvima da upravljaju alatom za napajanje. Alati za napajanje su opasni u rukama neobučениh korisnika.
5. Održavajte alate za napajanje. Proverite da li postoje pogrešne ili obavezujuće pokretne delove, prekid delova i bilo koji drugi uslov koji može uticati na rad alata za napajanje. Ako je oštećena, popravite alatku za napajanje pre upotrebe. Mnoge nesreće su izazvane loše održavanim alatima za napajanje.
6. Nastavite da sećete alate oštro i čisto. Pravilno održavane alatke za sečenje sa oštirim ivicama sečenja su manje verovatno da će se veziti i lakše se kontrolišu.
7. Koristite alat za napajanje, pribor i bitove alata i sl., u skladu sa ovim uputstvima i na način namenjen određenoj vrsti alata za napajanje, uzimajući u obzir uslove rada i radove koji tre-

ba da se izvode. Korišćenje alatke za napajanje za operacije različite od onih koje su namenjene može dovesti do opasne situacije.

BEZBEDNOSNA UPUTSTVA ZA MITER TESTERU

Prilikom korišćenja ovog alata treba biti svestan bezbednosti i mora se pratiti kako bi se izbegao rizik od opreme koja može izazvati požar, kratak spoj i nezgode koje se dešavaju korisnicima. Radi bezbednosti korisnika, pažljivo pročitajte uputstvo pre korišćenja računara.

ČUVAJTE STRAŽU NA MESTU I U RADNOM REDU

Nikada ne klin ili vezuj donji čuvar sečiva. Proverite operaciju čuvara donjeg sečiva pre svake upotrebe. Ne operiši ako se donji čuvar sečiva ne zatvori preko sečiva testere.

KABLOVI ZA PROŠIRENJE EKSTENZIJE NA OTVORENOM

Kada se alatka koristi na otvorenom koristite samo produžne kablove namenjene za upotrebu na otvorenom i tako obeležene.

ODRŽAVAJTE SEČIVA ČISTIM I OŠTRIM

Oštra sečiva minimiziraju odugovlačenje i kiks.

DRŽI RUKU DALJE OD FORME ZA SEČENJE

Drži ruku dalje od sečiva. Ne posegni ispod posla dok se sečivo rotira. Ne pokušavajte da uklonite isečeni materijal kada se sečivo pomera.

UPOZORENJE: Obala sečiva nakon isključiva.

PERIODIČNO PROVERAVAJ KABLOVE ALATKI

Ako su oštećeni, popravili su ih ovlašćeni servisni centar. Budite stalno svesni lokacije kablova i držite je podalje od rotirajućeg sečiva.

KORISTI RIP OGRADU

Prilikom ripovanja uvek koristite ogradu ili vodič za ravne ivice.

PRE NEGO ŠTO NAPRAVIŠ REZ

Uverite se da su dubina, kosina i miter podešavanj ta tesna.

KORISTITE ISPRAVNA SEČIVA

Nemojte koristiti sečiva sa netačnim rupama veličine. Nikada ne koristite sečiva ili zavrtnje koje su neispravne ili neispravne. Maksimalni kapacitet sečiva vaše testere je 254mm.

IZBEGAVAJTE SEČENJE NOKTIJU

Pregledajte i uklonite sve nokte sa drveta pre sečenja.

NIKAD

Dodirnite sečivo ili pokretne delove tokom upotrebe.

NIKAD

Pokrenite testeru kada je sečivo u kontaktu sa radnim delom.

LASERSKO SVETLO. LASERSKO ZRAČENJE

Ne bulji u gredu. Uključite laserski zrak samo kada je alatka na radnom delu.

SPECIFIKACIJE PROIZVODA

NAMENJENA UPOTREBA

Cross cutting wood & plastic cutting miters, joints, etc., For picture frames, moldings, door casings and fine joinery. Koristite aluminijumsko sečivo samo za sečenje aluminijuma.

NAPOMENA: Obezbeđeno sečivo presecanja je za većinu operacija sečenja drveta.

TEHNIČKA SPECIFIKACIJA

Broj predmeta	46 041	
Model	SCMS 210 PLUS	
Napon	V	220-240
Frekvencija	Hz	50/60
Električna snaga	W	1.450
Brzina bez opterećenja	min ⁻¹	5.000
Dimenzije lista testere	mm	210x1,8
Maksimalni kapacitet sečenja 0°/90°	mm	62x310
Maksimalni kapacitet sečenja 0°/45°	mm	34x310
Maksimalni kapacitet sečenja 45°/90°	mm	62x215
Maksimalni kapacitet sečenja 45°/45°	mm	34x215
Težina	kg	11,0

Vrednosti emisije šumova se određuju u skladu sa EN 62841-1, EN 62841-3-9

A-vrednovan nivo šumova uređaja iznosi tipično:

Nivo zbučnog pritiska	dB(A)	70
Nivo snage zvuka	dB(A)	80
Nesigurnost K	dB	3

Ukupne vrednosti vibracija ah (zbir vektora tri pravca) i nesigurnost K su dobijeni prema EN 62841-1, EN 62841-3-9

Ukupne vrednosti vibracija:

a _h	m/s ²	2,5
K	m/s ²	1.5

IDENTIFIKACIJU (SL.1)

1. ON/OFF prekidač
2. Laser
3. Čuvar sečiva
4. Prekidač za bezbednost
5. Regulator za podešavanje mitra
6. Miter sto
7. Montaža stega
8. Miter brava
9. Torba za prašinu

10. Šraf za podešavanje dubine rova
11. Ograda
12. Mitre vagga
13. Umetanje table (kerf ploča)
14. Brava za kosine
15. Gornji čuvar fiksnog sečiva
16. Nošenje drške
17. Port za vađenje prašine

OPERACIJA

UPOZORENJE! Pre nego što započnete bilo kakve operacije sečenja, zaključajte svoju složenu mitre testeru na radnu tačku. Nikad ne upravljaj svojom mitre testerom na podu ili u čučnjeve položaju. Nepoštovanje ovog upozorenja može rezultirati ozbiljnom ličnom povredom.

UPOZORENJE! Koristite porok da osigurate da vaš radni deo ostane slobodan sa jedne strane sečiva kako biste sprečili vezivanje sečiva u radnom delu. Radno parče obavezujućeg sečiva će izazvati odugovlačenje motora i kiks. Ova situacija može da izazove nesreću koja bi rezultirala ozbiljnim ličnim povredama.

PRECRTAVANJE

Krst se pravi sečenjem preko zrna radnog dela. Krst od 90° se pravi sa mitre stolom postavljenim na poziciji nula stepeni. Mitre krstovi se prave sa mitre stolom postavljenim pod nekim drugim uglom osim nule.

1. Izvucite iglu za bravu i podignite testeru na njenu punu visinu.
2. Otključajte mitre sto.
3. Rotirajte mitre tabelu dok se pokazivač ne poravnava sa željenim uglom na mitre skali.
4. Zaključajte kvaku za zaključavanje mitre stola.

NAPOMENA: Možete brzo locirati 0, 5, 10, 15, 22.5, 25, 31.35, 40, 45° levo ili desno na skali.

Možete brzo locirati 0, 5, 10, 15, 22.5, 25, 31.35, 40, 45° levo ili desno na skali.

5. Mitre sto može sedeti u jednom od pozitivnih zaustavnih nota, koji se nalazi u okviru mitre stola. Postavite radni deo ravno na miter sto sa jednom ivicom bezbedno uz ogradu. Ako se konkava ivica daske stavi uz ogradu, tabla bi mogla da se sruši na sečivo na kraju posekotine, zakrčeci sečivo.
6. Prilikom sečenja dugih komada drveta ili kalupa, podržite suprotan kraj zaliha uz materijalnu podršku.
7. Poravnajte liniju sečenja na radnom delu sa ivicom sečiva testere.
8. Koristite porok da obezbedite radni deo (Sl. 2.1, Sl. 2.2).

UPOZORENJE! Da biste izbegli ozbiljne lične povrede, držite ruke van zone bez ruku; najmanje 75mm od sečiva. Nikada ne izvodite operaciju sečenja slobodnom rukom (bez držanja radnog dela uz ogradu). Sečivo bi moglo da zgrabi radni deo ako se oklizne ili uvrne.

9. Pre uključivanja testere izvršite suvo trčanje operacije sečenja samo da biste bili sigurni da

neće doći do problema prilikom sečenja.

10. Čvrsto uhvatite dršku testere, stisnite obarač. Dozvolite nekoliko sekundi da sečivo dostigne maksimalnu brzinu.
11. Pritisnite laserski prekidač za uključivanje/isključivanje da biste uključili laser.
12. Pritisnite donju polugu za oslobađanje čuvara i zatim polako spustite sečivo u i kroz radni deo.
13. Oslobodite okidač i dozvolite sečivo testere da prestane da se okreće pre nego što podigne sečivo iz radnog dela.

KOSINA ISEČENA (SL. 3)

Posekotina od kosine se pravi sečenjem zrna radnog dela sa uglom sečiva do ograde i mitre stola. Rez na kosini se pravi sa mitre stolom postavljenim na nultoj poziciji, a sečivo postavljeno pod uglom između 0 i 45°.

1. Izvucite iglu za bravu i podignite testeru na njenu punu visinu.
2. Olabavite ručku za zaključavanje mitre stola.
3. Rotirajte mitre tabelu dok se pokazivač ne poravnava sa nulom na mitre skali.
4. Zaključajte mitre sto tako što ćete rotirati kvaku za zaključavanje mitre stola u smeru kretanja kazaljke na satu.

UPOZORENJE! Da biste izbegli ozbiljne lične povrede, uvek gurnite stegu od mitre stola nazad pre nego što napravite rez. Neuspeh u tome mogao bi da rezultira pomeranjem mitre table dok se pravi posekotina koja izaziva ozbiljne lične povrede.

5. Olabavite ručicu ključa i pomerite testeru ulevo u željeni ugao kosine.
6. Uglovi kosine se mogu postaviti od 0° do 45°.
7. Poravnajte tačku indikatora sa željenim uglom.
8. Jednom kada se testerna ruka postavi pod željenim uglom, bezbedno zategnite ručicu ključa.
9. Postavite radni deo ravno na mitre sto sa jednom ivicom bezbedno uz ogradu. Ako je tabla iskrivljena, stavi konveksnu stranu uz ogradu. Ako se konkava ivica daske stavi uz ogradu, tabla bi mogla da se sruši na sečivo na kraju posekotine, zakrčeci sečivo.
10. Prilikom sečenja dugih komada drveta ili kalupa, podržite pre naglašavanje krajeve deonica sa materijalnim potkrepljujućim.
11. Poravnajte liniju sečenja na radnom delu sa ivicom sečiva testere.
12. Uхватite deonice čvrsto jednom rukom i obezbedite ih uz ogradu. Zategnite porok da obezbedite radni deo.

UPOZORENJE! Da biste izbegli ozbiljne lične povrede, držite ruke van zone bez ruku; najmanje 75mm od sečiva. Nikada ne izvodite operaciju sečenja slobodnom rukom (bez držanja radnog dela uz ogradu). Sečivo bi moglo da zgrabi radni deo ako se oklizne ili uvrne.

13. Pre uključivanja testere izvršite suvo trčanje

operacije sečenja samo da biste bili sigurni da neće doći do problema prilikom sečenja.

14. Čvrsto uhvatite dršku testere, a zatim stisnite obarač. Dozvolite nekoliko sekundi da sečivo dostigne maksimalnu brzinu.
15. Pritisnite laserski prekidač za uključivanje/isključivanje da biste uključili laser.
16. Otključajte sigurnosnu kvaku zaključavanja donjeg čuvara i zatim polako spuštajte sečivo u i kroz radni deo.
17. Oslobodite okidač i dozvolite sečivu testere da prestane da se okreće pre nego što podigne sečivo iz radnog dela.

JEDINJENJE MITRE ISEČENO

Složeni mitre rez je posekotina napravljena pomoću ugla mitre i ugla kosine u isto vreme. Ova vrsta sečenja se koristi za pravljenje ramova za slike, seče kalup, pravi kutije sa kosim stranama i za određene posekotine od krovnog smeštanja. Da bi se ovaj tip iseкао, mitre tabela mora biti rotirana pod pravim uglom i ruka testere mora biti nagnuta pod ispravan ugao kosine. Uvek treba voditi računa prilikom pravljenja složenih mitre podešavanja zbog interakcije postavke dva ugla. Podešavanja mitre i postavki kosine su međusobno zamenjena. Svaki put kada podesite postavku mitre promenite efekat postavke kosine.

Takođe, svaki put kada podesite postavku kosine menjate efekat mitre postavke. Možda će biti potrebno nekoliko postavki da bi se dobio željeni rez. Postavku prvog ugla treba proveriti nakon postavljanja drugog ugla, pošto podešavanje drugog ugla utiče na prvi.

Kada se dobiju dva ispravna podešavanja za određenu posekotinu, uvek napravite test isečen u staro drvo pre nego što napravite finiš isečen na dobro drvo.

1. Izvucite iglu za bravu i podignite testeru na njenu punu visinu.
2. Olabavite kvaku za zaključavanje mitre stola.
3. Rotirajte mitre tabelu dok se pokazivač ne poravnava sa željenim uglom na mitre skali.
4. Zategnite kvaku za zaključavanje mitre stola.
5. Olabavite ručicu ključa i pomerite testeru ulevo u željeni ugao kosine.
6. Uglovi kosine se mogu postaviti od 0° do 45°.
7. Poravnajte tačku indikatora sa željenim uglom.
8. Jednom kada se testerna ruka postavi pod željenim uglom, bezbedno zategnite ručicu ključa.
9. Postavite radni deo ravno na mitre sto sa jednom ivicom bezbedno uz ogradu. Ako je tabla iskrivljena, stavite konveksnu stranu uz ogradu, ako je konkavna ivica table postavljena uz ogradu, tabla bi mogla da se sruši na sečivo na kraju posekotine, zakrčeći sečivo.
10. Prilikom sečenja dugih komada drveta ili kalupa, podržite suprotan kraj zaliha uz materijalnu podršku.
11. Poravnajte liniju sečenja na radnom delu sa ivicom sečiva testere.
12. Uхватите deonice čvrsto jednom rukom i obezbedite ih uz ogradu. Zategnite porok da

obezbedite radno delo.

13. Pre uključivanja testere izvršite suvo trčanje operacije sečenja samo da biste bili sigurni da neće doći do problema prilikom sečenja.
14. Pritisnite laserski prekidač za uključivanje/isključivanje da biste uključili laser.
15. Čvrsto uhvatite dršku testere, a zatim stisnite obarač. Dozvolite nekoliko sekundi da sečivo dostigne maksimalnu brzinu.
16. Oslobodite okidač i dozvolite sečivu testere da prestane da se okreće pre nego što podigne sečivo iz radnog dela.

SEČENJE VEĆIH RADNIH DELOVA AKCIJOM SLAJDOVA

1. Prilikom sečenja velikih radnih komada akcijom klizanja, radni deo se nalazi kvadratno uz zadnju ogradu i čvrsto je zaključen u poroku.
2. Čvrsto uhvatite dršku testere (Sl. 4).
3. Gurnite odsečnu glavu dalje od zadnje ograde do zadnjeg dela većine položaja, a zatim depimirate okidač (Sl. 5).
4. Polako spuštajte sečivo u i kroz radni deo i gurajte sečivo kroz veći radni deo prema zadnjoj ogradi (Sl. 6)

UPOZORENJE! Nikada ne postavite neodmereću silu na dršku testere u desnom ili levom smeru jer će ovo pogrešno poravnati glavu i rezultirati nepreciznim rezom.

LASERSKI ZRAK

Svetlost laserskog zraka vam daje smernicu koja pokazuje tačno liniju gde sečivo mora da iseče radni deo sa stola. Laserski zrak se može uključiti po potrebi:

Pritisnite laserski prekidač za uključivanje/isključivanje da biste uključili laser i ponovo pritisnite prekidač da biste isključili laser. Mrežni kabl snabdeva laserom napajanje. Laserski zrak treba poravnati pre nego što se prvi put upotrebi. Postavite klupu na ugaonu poziciju 0°. Olabavi laserski šraf za poravnanje. Uključite laser i poravnajte zrak tako da pokazuje. Tačno na 0° meraču mitre isečenog podešavanja.

APLIKACIJE

Da biste sprečili slučajno pokretanje koje bi moglo da izazove moguće ozbiljne lične povrede, sklopite sve delove i uverite se da su sva upozorenja: podešavanja završena, uverite se da su svi pričvršćivači bezbedni pre povezivanja testere sa napajanjem. Testera nikada ne bi trebalo da bude povezana sa napajanjem kada sklapate delove, vršite podešavanja, instalirate ili uklanjate sečiva ili kada niste u upotrebi.

PRILOG VICE (SL. 7)

Da biste priložili porok, gurnite okruglu šipku za prilog u rupu priloga za poroke i okrenite kvaku za zaključavanje pozadi u smeru kazaljke na satu da se zaključa.

VREĆA ZA PRAŠINU (SL. 8)

Zakačite vreću za prašinu tako što ćete zajedno prisnuti dva metalna izvora.

ZAKLJUČAJ PIN (SL. 9)

Mašina sadrži iglu za zaključavanje radi lakšeg transporta. Da bi otključali glavu izvucite iglu i povucite testeru za uspravan položaj. Da biste sprečili klizanje glave testere tokom transporta, zaključajte kvaku za zaključavanje slajdova kao što je prikazano.

0-45°MITRE PODEŠAVANJE

Vaš mašinski mitre seče od 0° do 45° desno i levo, sa pozitivnim zaustavljanjima na 0, 5, 10, 15, 22,5, 25, 31,35, 40, 45°. Olabavite kvaku za zaključavanje mitre stola i pomerite mitre sto pod željeni ugao sečenja. Retighten the mitre table lock knob to lock table in position.

OGRADU

Zadnja ograda na vašem slajd kompleksu mitre testera je obezbeđena da drži vaš radni deo bezbedno na odnosu prilikom izrade svih rezova.

SAMO-POVLAČENJE ČUVARA DONJEG SEČIVA

Donji čuvar sečiva je napravljen od plastike otporne na šok, koja pruža zaštitu sa svake strane sečiva. Povlači se preko gornjeg čuvara sečiva dok se testera spušta u radni deo.

UPOZORENJE: Vaša klizališna testera ima 4 rupe za montažu na radnu tranšu. Uvek se уверite da je vaša složena mitre testera bezbedno postavljena na radnu tačku ili odobreni radni štand. Neuspeh u tom slučaju mogao bi da rezultira nesrećom koja je izazvala ozbiljne lične povrede.

ELEKTRIČNA VEZA

Videli ste da ima precizno napravljen električni motor. Trebalo bi da bude povezano sa napajanjem koje je 240 volti AC, 50-60Hz, samo (normalna struja domaćinstava). Nemojte upravljati ovom alatkom na direktnoj struji (DC). Znatna pad napona prouzrokuje gubitak snage i motor će se prejesti. Ako alatka ne radi kada je priključena na utičnicu, dvaput proverite napajanje.

UPOZORENJE: Rad bilo kog alata za napajanje može rezultirati bacanjem stranih objekata u oči, što može rezultirati ozbiljnim oštećenjem očiju. Pre početka rada alata za napajanje, uvek nosite sigurnosne naočare ili sigurnosne naočare sa bočnim štitovima i štitom za lice kada je to potrebno. Preporučujemo široku masku za bezbednost vida za upotrebu preko naočara za vid ili standardne bezbedne naočare sa bočnim štitovima.

UPOZORENJE: Ne pokušavajte da izmenite ovu alatku ili kreirajte pribor koji se ne preporučuje za upotrebu sa ovom alatkom. Svaka takva izmena ili modifikacija je zloupotreba i može rezultirati opasnim stanjem koje dovodi do moguće ozbiljne lične povrede.

KOREKCIJE

Vaša složena testera je korigovana u fabrici za izradu veoma preciznih rezova. Međutim, neke komponente su možda bile iscrpljene iz poravnania tokom isporuke. Takođe, tokom određenog vremenskog perioda, presađivanje će verovatno postati neophodno zbog habanja. Nakon raspakivanja testere, proverite sledeća podešavanja pre nego što počnete da koristite testeru. Napravite sve potrebne i periodično proverite poravnavanje delova da biste se уверili da se testera precizno seče.

UPOZORENJE: Da biste sprečili slučajno pokretanje koje može izazvati moguće ozbiljne lične povrede, sklopite sve delove na testeru pre nego što je povežete sa napajanjem. Testera nikada ne bi trebalo da bude povezana sa napajanjem kada sklapate delove, vršite podešavanja, instalirate ili uklanjate sečiva ili kada niste u upotrebi.

ZAMENA SEČIVA

OPASNOST: Sečivo prečnika 254mm x 2.0mm je maksimalni kapacitet sečiva vaše testere. Nikada ne koristite sečivo koje je previše gusto da bi omogućilo vanserijalnu sečivu da se angažuje sa ravniama na vretenu. Uklonite donji šraf ruke sečiva i olabavite šraf na poklopac sečiva dok se montaža čuvara donjeg sečiva ne podigne kako bi se izložila šraf sečiva.

1. Deprimirajte dugme za zaključavanje vretena dok rotirajte sečivo. Dugme za zaključavanje vretena će angažovati vreteno brave (Sl.10).
2. Uklonite šraf sečiva i zamah sečiva i zamenite sečivo. Iskoristi ključ da olabaviš sečivo. Imajte u noti-ovo je nit leve ruke, tako olabavljena u smeru kretanja kazaljke na satu. Ponovo pričvrstite zamah sečiva i čvrsto obezbedite šraf sečiva i pričvrstite donji čuvar sečiva (Slivnik.11).

UPOZORENJE: Ako je unutrašnji sečivo uklonjeno, zamenite ga pre stavljanja sečiva na vreteno. Neuspeh u tom može da izazove nesreću pošto sečivo neće dobro stegnuti.

OPREZ: Sečivo uvek ugnjetavate zubima sečiva koji pokazuju u silaznom smeru.

ŠTIGANJE SEČIVA DO STOLA MITRE NA 0°

Povucite testeru skroz dole i angažujte iglu za zaključavanje da drži testeru u transportnom položaju. Otključajte ručicu za zaključavanje kosine i pomerite testeru na poziciju 0° i zaključajte ručicu za zaključavanje kosine (Sl.12). Postavite set kvadrat na mitre sto i naslonjeni na sečivo. Ako se sečivo i mitre tabela ne poravnaju podešavanjem na sledeći način (Sl.13).

1. Odmrinite šraf za pozicioniranje od 0° kosine na desnoj strani kao što je prikazano (Sl.14).
2. Pravično poravnajte sečivo i mitre tabelu koristeći postavljivi kvadrat i zaključajte ručicu ključa.
3. Pomerite testeru dok se pokazivač ne slegne na položaj kosine od 0° i zategnite šraf za pozicioniranje kosine od 0°. Prover-

ite ugao od 0° pomoću 90° postavljenog kvadrata od tabele do sečiva. Ako se tabela i sečivo ne poravnaju, pročitajte samo šraf za pozicioniranje od 0° kosine dok se poravna, a zatim podesite pokazivač na 0° oznaku i obezbedite ga tako što ćete zategnuti pokazivač (Sl.15).

PREVRĆE SEČIVO DO STOLA MITRE NA 45°

1. Pomerite testeru na položaj kosine 45° (Sl.16).
2. Ako testerana ruka ne može da dostigne punu poziciju od 45°, šraf za pozicioniranje kosine od 45° mora da se resetuje (Sl.17).
3. Kada se testera pomeri na položaj kosine od 45°, proverite ugao od 45° koristeći kvadrat od 45° postavljen od stola do sečiva. Ako se tabela i sečivo ne poravnaju, samo
4. 45° pozicioniranje šrafa dok se ne poravna. Ponovo podesite pokazivač na 45° marke i poravnajte ga tako što ćete zategnuti pokazivač.

DUBINA KOREKCIJE REZA

1. Isključite kabl za napajanje.
2. Da bi se podesila dubina reza, potrebno je naneti ili ključ ili podesivi ključ za olabaviti heksavi orah.
3. Koristite heksavi ključ da biste podesili dubinu isečenog šrafa za podešavanje. Sečivo testere može da se spusti okretanjem šrafa u smeru suprotnom od kazaljke na satu i može se podići okretanjem šrafa u smeru kazaljke na satu.
4. Spustite sečivo u grlo ploču mitre stola, zatim proverite čišćenje sečiva i maksimalno rastojanje (što je rastojanje izmereno od ograde gde sečivo ulazi) na prednji deo slota za mitre sto.
5. Samo se preklinje ako je potrebno.
6. Zategnite heksatrlji orah.
7. Da biste sprečili okretanje dubine isečenog šrafa podešavanja, dok stežete heksaku, pažljivo ga držite heksaku prilikom zatezanja heksakula (Sl.18).

UKLJUČIVANJE I ISKLJUČIVANJE (SL. 19.1, SL. 19,2)

1. Da uključite testeru na depresivno i držite prekidač za okidač uključivanja/isključivanja.
2. Da biste isključili testeru, otpustite prekidač za okidač uključivanja/isključivanja.

UKLJUČIVANJE I ISKLJUČIVANJE

1. Sa olabavljenim šrafci gerom uklonite šraf koji obezbeđuje poklopac sečiva (Sl. 20).
2. Povucite rotirajući čuvar sečiva nadole, a zatim ga zamahnute zajedno sa pokrićem sečiva. Kada je rotirajući čuvar sečiva postavljen iznad gornjeg čuvara fiksnog sečiva moguće je pristupiti šrafu sečiva (Sl. 21).
3. Držite rotirajuću gardu gore i pritisnite dugme za zaključavanje vretena. Rotirajte sečivo dok se vreteno ne zaključa (Sl. 22).
4. Koristite heksavu koja je obezbeđena da olabavite i uklonite šraf sečiva. (Olabavi u smeru kretanja kazaljke na satu dok šraf sečiva ima nit leve ruke) (Sl. 23).
5. Spustite čuvar sečiva, držite rotirajući donji

čuvar sečiva i poklopac sečiva na položaju i zategnite šraf za fiksiranje (Sl. 24).

ODRŽAVANJE ALATA

1. Pre bilo kakvog rada na samoj mašini, izvučite utikač za napajanje ili izvadite iz pakovanja baterije
2. Koristite čiste krpe i blagi sapun za uklanjanje prljavštine, prašine itd.
3. Nikada ne koristite benzin, benzen, razblažen, alkohol ili slično čistom alatu, u suprotnom će izazvati bojenje alata, deformaciju ili pucanje.
4. Održavajte ventilaciju čistom. Očistite sve delove alata, povremeno čistite prašinu kako biste sprečili ulazak krhotina.
5. Sve usluge mora da obavlja samo Centar za autorizaciju usluga.

UPOZORENJE: Ne dozvolite da voda uđe u motor i alat pun uronjen u rat, što će rezultirati kvarom motora i električnim šokom.

ZAŠTITA ŽIVOTNE SREDINE

Reciklirajte sirovine umesto da odlažete kao otpad. Mašina, pribor i ambalaža treba da se sortiraju za životnu sredinu - prijateljsku reciklažu. Plastične komponente su označene za kategorizovanu reciklažu.

GARANCIJE

Ovaj proizvod je garantovan u skladu sa zakonskim/državnim propisima, koji stupaju na snagu od dana kupovine od strane prvog korisnika. Šteta koja se može pripisati normalnom habanom i cedanju, preopterećenju ili nepravilnom rukovanju biće isključena iz garancije. U slučaju zahteva, pošaljite mašinu, potpuno sklopljenu, vašem dileru ili servisnom centru za električne alate.

HRVATSKI

OPĆA PRAVILA SIGURNOSTI

UPOZORENJE! Pročitajte sve upute. Nepoštovanje svih dolje navedenih uputa može dovesti do strujnog udara, požara i / ili ozbiljnih ozljeda.

SPREMITE OVE UPUTE

Izraz "električni alat" u svim dolje navedenim upozorenjima odnosi se na vaš električni alat (mrežni ili baterijski (bežični) električni alat.

RADNO MJESTO

1. Održavajte radno mjesto čistim i dobro osvijetljenim. Neuredna i mračna radna mjesta pozivaju na nesreće.
2. Nemojte rukovati električnim alatima u eksplozivnoj atmosferi, kao što je prisutnost zapaljivih tekućina, plinova ili prašine. Električni alati stvaraju iskre koje mogu zapaliti prašinu ili isparenja.
3. Držite djecu i prolaznike podalje dok upravljate električnim alatom. Ometanje vam može dovesti do gubitka kontrole.

ELEKTRIČNA SIGURNOST

1. Utikači električnog alata moraju odgovarati utičnici. Nikada ne mijenjajte utikač na bilo koji način. Ne koristite utikače adaptera s uzemljenim (uzemljenim) električnim alatima. Nemodificirani utikači i odgovarajuće utičnice smanjit će rizik od strujnog udara.
2. Izbjegavajte kontakt tijela s uzemljenim ili uzemljenim površinama poput vodova, radijatora i hladnjaka. Povećan je rizik od strujnog udara ako je vaše tijelo uzemljeno ili uzemljeno.
3. Ne izlažite električne alate kiši ili mokrim uvjetima. Voda koja ulazi u električni alat povećati će rizik od strujnog udara.
4. Ne zloupotreblyavajte kabel. Kabel nikada nemojte koristiti za nošenje, povlačenje ili isključivanje električnog alata.
5. Kabel držite podalje od vrućeg ulja, oštrih rubova ili pokretnih dijelova. Oštećeni ili zapleteni kabeli povećavaju rizik od strujnog udara. Kad električni alat upotrebljavate na otvorenom, koristite produžni kabel prikladan za vanjsku upotrebu. Upotreba kabela pogodnog za vanjsku upotrebu smanjuje rizik od strujnog udara.

OSOBNA SIGURNOST

1. Budite oprezni, pazite što radite i koristite zdrav razum kada rukujete električnim alatom. Ne koristite električni alat dok ste umorni ili pod utjecajem droga, alkohola ili lijekova. Trenutak nepažnje tijekom rada s električnim alatima može dovesti do ozbiljnih ozljeda.
2. Koristite sigurnosnu opremu. Uvijek nosite zaštitu za oči. Zaštitna oprema poput maske protiv prašine, zaštitne cipele protiv klizanja, zaštitnog šešira ili zaštitne za sluh koji se koriste u odgovarajućim uvjetima smanjit će osobne ozljede.

3. Spriječite nenamjerno pokretanje. Prije spajanja na izvor napajanja i / ili bateriju, dizanja ili nošenja alata, osigurajte da je prekidač u isključenom položaju. Nošenje električnih alata prstom na prekidaču ili uključivanje električnih alata koji imaju prekidač dovodi do nezgoda.
4. Uklonite bilo koji ključ za podešavanje ili ključ prije uključivanja električnog alata. Ključ ili ključ lijevo pričvršćen na rotirajući dio električnog alata može rezultirati tjelesnim ozljedama.
5. Ne pretjerujte. Uvijek držite pravilnu podlogu i ravnotežu. To omogućuje bolju kontrolu električnog alata u neočekivanim situacijama.
6. Pravilno se obucite. Ne nosite široku odjeću ili nakit. Kosu, odjeću i rukavice držite dalje od pokretnih dijelova. Široka odjeća, nakit ili duga kosa mogu se uhvatiti u pokretnim dijelovima.
7. Ako su predviđeni uređaji za spajanje uređaja za odvođenje i sakupljanje prašine, osigurajte da su povezani i pravilno korišteni. Korištenje ovih uređaja može smanjiti opasnosti povezane s prašinom.

KORIŠTENJE I NJEGA NAPAJANJA

1. Nemojte forsirati električni alat. Upotrijebite odgovarajući električni alat za vašu primjenu. Ispravni električni alat učinit će posao bolje i sigurnije brzinom za koju je dizajniran.
2. Ne koristite električni alat ako ga prekidač ne uključuje i isključuje. Bilo koji električni alat kojim se ne može upravljati prekidačem opasan je i mora se popraviti.
3. Odspojite utikač iz izvora napajanja prije bilo kakvih podešavanja, promjene pribora ili spremanja električnih alata. Takve preventivne sigurnosne mjere smanjuju rizik od slučajnog pokretanja električnog alata.
4. Neaktivne električne alate čuvajte izvan dohvata djece i ne dopuštajte osobama koje nisu upoznate s električnim alatom ili ovim uputama da upravljaju električnim alatom. Električni alati opasni su u rukama neobučanih korisnika.
5. Održavajte električne alate. Provjerite nepravilno poravnavanje ili vezivanje pokretnih dijelova, lomljenje dijelova i bilo koja druga stanja koja mogu utjecati na rad električnih alata. Ako je oštećen, dajte električni alat popraviti prije uporabe. Mnoge nesreće uzrokuju loše održavani električni alati.
6. Držite alate za rezanje oštirim i čistim. Ispravno održavani alati za rezanje s oštirim reznim rubovima rjeđe se vežu i lakši su za upravljanje.
7. Koristite električni alat, pribor, nastavke za alat itd., U skladu s ovim uputama i na način predviđen za određenu vrstu električnog alata, uzimajući u obzir radne uvjete i radove koje treba izvesti. Korištenje električnog alata za radnje koje se razlikuju od predviđenih može dovesti do opasne situacije.

SIGURNOSNE UPUTE ZA MITRU PILU

Prilikom upotrebe ovog alata treba biti svjestan sigurnosti i mora se poštivati kako bi se izbjegao rizik od opreme koja može uzrokovati požar, kratki spoj i nesreće koje se događaju korisnicima. Radi sigurnosti korisnika, pažljivo pročitajte priručnik prije upotrebe stroja.

ČUVAJTE ČUVARE U MJESTU I RADNOM REDU

Nikada ne klinite i ne vežite štitnik donje oštrice. Prije svake uporabe provjerite rad donjeg štitnika oštrice. Nemojte raditi ako se donji štitnik lista brzo ne zatvori preko lista pile.

PRODUŽENI UŽICI U VANJSKOJ KORIŠTENJU

Kada se alat koristi na otvorenom, koristite samo produžne kabele namijenjene za uporabu na otvorenom i tako označene.

DRŽAJTE OŠTRICE ČISTE I OŠTRE

Oštre oštrice minimaliziraju zaustavljanje i povratni udarac.

DRŽITE RUKU U OBLIKU REZANJA

Držite ruke dalje od oštrica. Ne posegnite ispod posla dok se oštrica okreće. Ne pokušavajte ukloniti izrezani materijal dok se oštrica pomiče.

UPOZORENJE: Lopatice se obaraju nakon isključivanja.

PERIODIČNO PREGLEDAJTE UŽICE ALATA

Ako su oštećeni, popravite ih u ovlaštenom servisu. Budite stalno svjesni mjesta kabela i držite ga podalje od rotirajuće oštrice.

KORISTI RIP OGRADU

Uvijek koristite ogradu ili ravnu vodilicu ruba prilikom ripanja.

PRIJE IZREZA

Uvjerite se da su podešavanja dubine, kosog i uglatog kanala precizna.

KORISTITE PRAVILNE OŠTRICE

Ne koristite noževe s rupama netočne veličine. Nikada nemojte koristiti podloške ili vijke koji su neispravni ili neispravni. Maksimalni kapacitet lista vaše pile je 254 mm.

IZBJEGLAVAJTE REZANJE NOKATA

Prije rezanja pregledajte i uklonite sve čavle s drveta.

NIKADA

Tijekom uporabe dodirnite oštricu ili pokretne dijelove.

NIKADA

Pokrenite pilu kad je list u dodiru s obradkom.

LASERSKO SVJETLO. LASERSKO ZRAČENJE

Ne zurite u zrak. Uključite lasersku zraku samo kada je alat na radnom predmetu.

SPECIFIKACIJE PROIZVOĐAV

NAMJENA KORIŠTENJA

Poprečno rezano drvo i plastika Poprečno izrezane mitre, spojevi itd. Za okvire za slike, lajsne, kućišta vrata i finu stolariju. Koristite aluminijsku oštricu samo za rezanje aluminija.

NAPOMENA: Isporučeni nož je za većinu postupaka rezanja drva.

TEHNIČKA OBILJEŽJA

Broj artikla 46 041

Model SCMS 210 PLUS

Napon V 220-240

Frekvencija Hz 50/60

Nazivna snaga W 1.450

Broj okretaja bez opterećenja min⁻¹ 5.000

Promjer lista pile mm 210x1,8

Maksimalni kapacitet rezanja 0°/90° mm 62x310

Maksimalni kapacitet rezanja 0°/45° mm 34x310

Maksimalni kapacitet rezanja 45°/90° mm 62x215

Maksimalni kapacitet rezanja 45°/45° mm 34x215

Težina kg 11,0

Vrijednosti emisije buke određene u skladu s EN 62841-1, EN 62841-3-9

Karakteristična razina buke uređaja određena je prema A-vrednovanoj ljestvici i iznosi:

Razina zvučnog tlaka dB(A) 70

Razina zvučne snage dB(A) 80

Nesigurnost K dB 3

Ukupne vrijednosti vibracija ah (zbroy vektora tri pravca) i nesigurnost K su određeni prema EN 62841-1, EN 62841-3-9

Ukupne vrijednosti vibracija:

a_h m/s² 2,5

K m/s² 1,5

IDENTIFIKACIJA (SL. 1)

1. ON / OFF prekidač
2. Laserski
3. Štitnik oštrice
4. Sigurnosni prekidač
5. Ručka za podešavanje mitre
6. Mitre stol
7. Sklop stezaljki
8. Mitre zaključavanje
9. Vrećica za prašinu
10. Vijak za podešavanje dubine kopanja
11. Ograda

12. Mitre skala
13. Uložak za stol (ploča s otvorom)
14. Kosa brava
15. Gornji fiksni štitnik oštrice
16. Ručka za nošenje
17. Otvor za usisavanje prašine

OPERACIJA

UPOZORENJE! Prije započinjanja bilo kakvih operacija rezanja, pričvrstite svoju složenu glodalicu na radni stol. Nikad ne upotrebljavajte mitralnu pilu na podu ili u zgrčenom položaju. Nepoštivanje ovog upozorenja može rezultirati ozbiljnom tjelesnom ozljedom.

UPOZORENJE! Upotrijebite škripac kako biste osigurali da radni komad ostane slobodan s jedne strane oštrice kako biste spriječili da se oštrica veže u radni komad. Oštrica za vezivanje radnog predmeta prouzročit će zaustavljanje motora i povratni udar. Ova situacija može prouzročiti nesreću koja bi rezultirala ozbiljnom tjelesnom ozljedom.

UREĐANJE

Poprečni presjek izrađuje se presijecanjem zrna radnog predmeta. Napravljen je presjek od 90 ° sa stolom za mitre postavljenim na položaj nultog stupnja. Prerezi mitre izrađuju se sa stolom mitre postavljenim pod nekim drugim kutom osim nule.

1. Izvucite klin za bravu i podignite glavu pile u cijelu visinu.
2. Otključajte mitralni stol.
3. Okrenite tablicu mitre dok se pokazivač ne poravnava sa željenim kutom na skali mitre.
4. Zaključajte gumb za zaključavanje mitre stola.

NAPOMENA: Na skali možete brzo pronaći 0, 5, 10, 15, 22,5, 25, 31,35, 40, 45 ° lijevo ili desno.

5. Mitralni stol može se smjestiti u jedan od zarez za pozitivno zaustavljanje, koji se nalazi u okviru mitralnog stola. Položite radni predmet ravno na mitralni stol s jednim rubom sigurno uz ogradu. Ako je udubljeni rub daske postavljen uz ogradu, daska bi se mogla srušiti na oštricu na kraju reza, ometajući oštricu.
6. Prilikom rezanja dugih komada drva ili kalupa, podupirajte suprotni kraj daske materijalnim potporama.
7. Poravnajte liniju za rezanje na radnom predmetu s rubom lista pile.
8. Upotrijebite vice za pričvršćivanje radnog predmeta (Sl. 2.1, Sl. 2.2).

UPOZORENJE! Da biste izbjegli ozbiljne osobne ozljede, držite ruke izvan zone bez ruku; najmanje 75 mm od oštrice. Nikada nemojte izvoditi nijednu operaciju rezanja slobodno (bez držanja radnog predmeta uz ogradu). Oštrica bi mogla zgrabiti radni predmet ako se sklizne ili uvije.

9. Prije uključivanja pile, izvedite suhi postupak rezanja samo kako biste bili sigurni da neće doći do problema prilikom rezanja.
10. Čvrsto uhvatite ručku pile, pritisnite okidač. Ostavite nekoliko sekundi da oštrica postigne maksimalnu brzinu.

11. Pritisnite prekidač za uključivanje / isključivanje lasera da biste uključili laser.
12. Pritisnite donju polugu za otpuštanje štitnika, a zatim polako spustite oštricu u i kroz radni predmet.
13. Otpustite okidač i pustite da se list pile prestane okretati prije nego što podignete list iz radnog predmeta.

REZ BEVELA (SL. 3)

Rez kosog reza vrši se presijecanjem zrna radnog predmeta s oštricom pod kutom prema ogradu i mitralnom stolu. Rez kosog reza izrađen je sa stolom za mitre postavljenim na položaj nula stupnjeva i nožem postavljenim pod kutom između 0 ° i 45 °.

1. Izvucite klin za bravu i podignite glavu pile u cijelu visinu.
2. Otpustite ručicu za zaključavanje mitre stola.
3. Okrenite tablicu mitre dok se pokazivač ne poravnava s nulom na skali mitre.
4. Zaključajte mitralni sto okrećući gumb za zaključavanje mitralnog stola u smjeru kazaljke na satu.

UPOZORENJE! Da biste izbjegli ozbiljne tjelesne ozljede, uvijek gurnite stezaljku stola za mitru prema dolje prije rezanja. Ako to ne učinite, moglo bi doći do pomicanja mitralnog stola tijekom rezanja uzrokujući ozbiljne osobne ozljede.

5. Otpustite polugu za zaključavanje kosa i pomaknite glavu pile ulijevo pod željeni kut košenja.
6. Kutovi nagiba mogu se postaviti od 0 ° do 45 °.
7. Poravnajte točku indikatora sa željenim kutom.
8. Nakon što je krak pile postavljen pod željeni kut, čvrsto zategnite polugu konične brave.
9. Postavite radni predmet ravno na mitralni stol, tako da jedan rub bude čvrsto naslonjen na ogradu. Ako je ploča iskrivljena, stavite ispušćenu stranu na ogradu. Ako je udubljeni rub daske postavljen uz ogradu, daska bi se mogla srušiti na oštricu na kraju reza, ometajući oštricu.
10. Prilikom rezanja dugih komada drva ili kalupa, podupirajte prevješene krajeve dasaka materijalnim nosačima.
11. Poravnajte liniju za rezanje na radnom predmetu s rubom lista pile.
12. Čvrsto uhvatite dršku jednom rukom i učvrstite je na ogradi. Pritegnite porok kako biste učvrstili radni predmet.

UPOZORENJE! Da biste izbjegli ozbiljne osobne ozljede, držite ruke izvan zone bez ruku; najmanje 75 mm od oštrice. Nikada nemojte izvoditi nijednu operaciju rezanja slobodno (bez držanja radnog predmeta uz ogradu). Oštrica bi mogla zgrabiti radni predmet ako se sklizne ili uvije.

13. Prije uključivanja pile, izvedite suhi postupak rezanja samo kako biste bili sigurni da neće doći do problema prilikom rezanja.

14. Čvrsto uhvatite ručku pile, a zatim pritisnite okidač. Ostavite nekoliko sekundi da oštrica postigne maksimalnu brzinu.
15. Pritisnite prekidač za uključivanje / isključivanje lasera da biste uključili laser.
16. Otključajte sigurnosnu tipku za zaključavanje donjeg štitnika, a zatim polako spustite oštricu u i kroz radni predmet.
17. Otpustite okidač i pustite da se list pile prestane okretati prije nego što dignete list iz radnog predmeta.

SPOJNI MITAR REZ

Složeni mitrezní rez je rez napravljen istodobno koristeći kut mitre i kut kosa. Ova vrsta reza koristi se za izradu okvira za slike, oblikovanje kalupa, izradu kutija s kosim stranama i za određene rezove uokvirivanja krova. Da biste napravili ovu vrstu reza, mitralni stol mora se zakrenuti pod ispravnim kutom, a krak pile mora biti nagnut pod ispravnim kutom kosog nagiba. Uvijek treba biti oprezan pri izradi složenih postavki mitre zbog interakcije postavki dva kuta. Prilagodbe postavki mitre i kosa međusobno su ovisne. Svaki put kada podesite postavku mitre, mijenjate učinak postavke kososti. Također, svaki put kada prilagodite postavku kose, mijenjate učinak postavke mitre. Potrebno je nekoliko postavki da bi se dobio željeni rez. Prvo podešavanje kuta treba provjeriti nakon postavljanja drugog kuta, jer podešavanje drugog kuta utječe na prvi kut.

Nakon što se dobiju dvije ispravne postavke za određeni rez, uvijek napravite probni rez u otpadnom drvu prije završnog rezanja u dobrom drvu.

1. Izvucite klin za bravu i podignite glavu pile u cijelu visinu.
2. Otpustite gumb za zaključavanje mitre.
3. Okrenite tablicu mitre dok se pokazivač ne poravnava sa željenim kutom na skali mitre.
4. Pritegnite gumb za zaključavanje mitre.
5. Otpustite polugu za zaključavanje kosa i pomaknite krak pile ulijevo pod željeni kut košenja.
6. Kutovi nagiba mogu se postaviti od 0° do 45°.
7. Poravnajte točku indikatora sa željenim kutom.
8. Nakon što je krak pile postavljen pod željeni kut, čvrsto zategnite polugu konične brave.
9. Postavite radni predmet ravno na mitralni stol, tako da jedan rub bude čvrsto naslonjen na ogradu. Ako je ploča iskrivljena, stavite ispušćenu stranu na ogradu, ako je udubljeni rub se postavljati na ogradu, ploča bi se mogla srušiti na oštricu na kraju reza, zaglavljajući oštricu.
10. Prilikom rezanja dugih komada drveta ili kalupa, podupirajte suprotni kraj daske materijalnim nosačima.
11. Poravnajte liniju rezanja na radnom predmetu s rubom lista pile.
12. Čvrsto uhvatite dršku jednom rukom i učvrstite je na ogradi. Pritegnite porok kako biste učvrstili radni predmet.
13. Prije uključivanja pile, izvedite suhi postupak rezanja samo kako biste bili sigurni da neće doći do problema prilikom rezanja.

14. Pritisnite prekidač za uključivanje / isključivanje lasera da biste uključili laser.
15. Čvrsto uhvatite ručku pile, a zatim pritisnite okidač. Ostavite nekoliko sekundi da oštrica postigne maksimalnu brzinu.
16. Otpustite okidač i pustite da se list pile prestane okretati prije nego što dignete list iz radnog predmeta.

REZANJE VEĆIH DELOVNIH KOMADA SLIDNIM DJELOVANJEM

1. Prilikom rezanja velikih radnih predmeta kliznim postupkom, radni je predmet postavljen ravno uz stražnju ogradu i čvrsto je zaključan u škipicu.
2. Čvrsto uhvatite ručku pile (Sl. 4).
3. Gurnite glavu za rezanje sa stražnje ograde u krajnji vanjski položaj, a zatim pritisnite okidač (Sl. 5).
4. Polako spustite oštricu u i kroz radni predmet i gurnite glavu za rezanje kako bi oštrica prošla kroz veći radni predmet prema stražnjoj ogradi (Sl. 6).

UPOZORENJE! Nikada nemojte stavljati prekomjernu silu na ručicu pile udesno ili ulijevo, jer će to dovesti do pogrešnog poravnavanja glave i rezultiranja netočnim rezanjem.

LASERSKA ZRAKA

Svjetlost laserske zrake daje vam smjernicu koja prikazuje točnu liniju na kojoj oštrica mora rezati radni predmet sa stola. Po potrebi se laserska zraka može uključiti:

Pritisnite prekidač za uključivanje / isključivanje lasera za uključivanje lasera i ponovno pritisnite prekidač za isključivanje lasera. Mrežni kabel napaja laser. Prije prve uporabe lasersku zraku treba poravnati. Postavite klupu u kutni položaj 0°. Lagano otpustite vijak za lasersko poravnavanje. Uključite laser i poravnajte snop tako da usmjerava. Točno na oznaci mjerača 0° regulatora za rezanje mitre.

PRIJAVE

Da biste spriječili slučajno pokretanje koje bi moglo prouzročiti ozbiljne ozljede, sastavite sve dijelove i osigurajte sva upozorenja: podešavanja su dovršena, provjerite jesu li svi pričvršćeni elementi dobro pričvršćeni prije spajanja pile na napajanje. Pila se nikada ne smije spajati na napajanje kad sastavljate dijelove, podešavate, instalirate ili uklanjate oštrice ili kada se ne koristi.

VICE VEZA (SL. 7)

Da biste pričvrstili potisak, gurnite okruglu šipku za pričvršćivanje u otvor za pričvršćivanje potiska i zakrenite stražnji gumb za zaključavanje u smjeru kazaljke na satu.

TORBA ZA PRAH (SL. 8)

Pričvrstite vrećicu za prašinu pritiskajući dvije metalne opruge.

ZAKLJUČAJ PIN (SL. 9)

Vaš uređaj ima klin za zaključavanje radi lakšeg prijevoza. Da biste otključali glavu, izvucite klin i povucite krak pile u spravan položaj. Da biste spriječili klizanje glave pile tijekom prijevoza, zaključajte gumb klizača kao što je prikazano na.

0-45° PRILAGOĐIVANJE VISINE

Strojna mitra reže od 0° do 45° i udesno i ulijevo, s pozitivnim zaustavljajima na 0, 5, 10, 15, 22.5, 25, 31.35, 40, 45°. Olabavite tipku za zaključavanje mitre i pomaknite mitralni stol na željeni kut rezanja. Ponovno zategnite gumb za zaključavanje mitre stola da zaključa stol u svom položaju.

OGRAĐA

Stražnja ograda na vašoj kliznoj pili s kliznim mehanizmom osigurava je vaš radni predmet sigurno prilikom svih rezova.

SAMOUPUŠTAJUĆA ŠTITNJA DONJEG OŠTRICE

Donji štitnik oštrice izrađen je od prozirne plastike otporne na udarce koja pruža zaštitu sa svake strane oštrice. Povlači se preko gornjeg štitnika oštrice dok se pila spušta u radni komad.

UPOZORENJE: Vaša kružna pila za klizne spojeve ima 4 rupe za pričvršćivanje na radni stol. Uvijek provjerite je li vaša složena glodalica dobro pričvršćena na radni stol ili odobreni radni stalak. Ako to ne učinite, može doći do nesreće koja uzrokuje ozbiljne tjelesne ozljede.

ELEKTRIČNA VEZA

Vidjeli ste da ima precizno izgrađen elektromotor. Trebao bi biti spojen na napajanje koje je 240 V AC, 50-60Hz, samo (normalna struja u kućanstvu). Ne upotrebljavajte ovaj alat na istosmjernoj struji (DC). Znatan pad napona prouzročit će gubitak snage i motor će se pregrijati. Ako vaš alat ne radi kad je uključen u utičnicu, dvaput provjerite napajanje.

UPOZORENJE: Rad bilo kojeg električnog alata može dovesti do bacanja stranih predmeta u oči, što može dovesti do ozbiljnih oštećenja oka. Prije početka rada električnog alata uvijek nosite zaštitne naočale ili zaštitne naočale s bočnim štitnicima i štitnikom za cijelo lice po potrebi. Za upotrebu preko naočala ili standardnih naočala s bočnim štitnicima preporučujemo zaštitnu masku širokog vida.

UPOZORENJE: Ne pokušavajte modificirati ovaj alat ili stvarati dodatke koji se ne preporučuju za upotrebu s ovim alatom. Svaka takva preinaka ili preinaka zlouporabljava se i može dovesti do opasnih stanja koja mogu dovesti do ozbiljnih ozljeda.

PODEŠAVANJE

Vaša složena glodalica je tvornički prilagođena za vrlo precizne rezove. Međutim, neke su komponente možda bile neskaldne tijekom poravnjanja.

Također, s vremenom će prilagodba vjerojatno postati potrebna zbog habanja.

Nakon raspakiranja pile, provjerite sljedeće prilagodbe prije nego što počnete koristiti pilu. Izvršite potrebna prilagođavanja i povremeno provjeravajte poravnjanje dijelova kako biste bili sigurni da vaša pila točno siječe.

UPOZORENJE: Da biste spriječili slučajno pokretanje koje bi moglo prouzročiti ozbiljne tjelesne ozljede, sklopite sve dijelove na svoju pilu prije spajanja na napajanje. Pila se nikada ne smije priključivati na napajanje dok sastavljate dijelove, podešavate, instalirate ili uklanjate oštrice ili kada se ne koristi.

ZAMJENA OŠTRICE

OPASNOST: List promjera 254 mm x 2,0 mm najveći je kapacitet vaše pile. Nikad nemojte koristiti oštru oštricu kako bi se omogućilo da vanjska podloška za noževe zahvati plosnate dijelove na vretenu. Uklonite vijak donje ruke oštrice i otpustite vijak na poklopcu vijka oštrice dok se donji sklop štitnika oštrice ne može podići kako bi se otkrio vijak oštrice.

1. Pritisnite gumb za zaključavanje vretena dok rotirate oštricu. Gumb za zaključavanje vretena aktivirat će zaključavanje vretena (Sl. 10).
2. Uklonite vijak oštrice i vanjsku priрубnicu oštrice i vratite oštricu. Ključem otpustite vijak oštrice. Imajte na umu - ovo je lijeva nit, pa je opustite u smjeru SATOVA. Ponovno pričvrstite vanjsku priрубnicu oštrice i dobro pričvrstite vijak oštrice i ponovo pričvrstite donji štitnik oštrice (Sl. 11).

UPOZORENJE: Ako je unutarnja podloška za noževe uklonjena, zamijenite je prije postavljanja oštrice na vreteno. Ako to ne učinite, moglo bi doći do nesreće jer se oštrica neće pravilno zategnuti.

OPREZ: Uvijek instalirajte oštricu tako da zubi oštrice budu usmjereni prema dolje.

KVADRAT OREZA KOD VOŽNOG STOLA NA 0°

Povucite ruku pile skroz dolje i zakvačite klin za zaključavanje kako biste držali ruku pile u transportnom položaju. Otključajte polugu zaključavanja kosine i pomaknite krak pile u položaj 0° i zaključajte polugu zaključavanja kosine (Sl. 12). Postavite postavljeni kvadrat na mitralni stol i na oštricu. Ako se tablica noža i mitre ne poravnaju, podesite na sljedeći način (Sl. 13).

1. Odvijte vijak za pozicioniranje kosa 0° s desne strane, kao što je prikazano (Sl. 14).
2. Ispravno poravnajte stol oštrice i mitre pomoću postavljenog kvadrata i zaključajte polugu zaključavanja kosa.
3. Pomaknite krak pile dok se pokazivač ne spusti u položaj košenja 0° i zategnite vijak za pozicioniranje kota 0°. Provjerite kut od 0° koristeći postavljeni kvadrat od 90° od stola do oštrice. Ako se stol i nož ne poravnaju, ponovo podesite vijak za pozicioniranje kosa 0° dok ne bude poravnat, a zatim podesite pokazivač na oznaku 0° i učvrstite zatezanjem vijka pokazivača (Sl. 15).

KVADRAT OREZA KOD VOŽNOG STOLA NA 45°

1. Pomaknite krak pile u položaj kosog 45° (Sl. 16).
2. Ako krak pile ne može doseći puni položaj od 45°, vijak za pozicioniranje kosa od 45° morat će se resetirati (Sl. 17).
3. Kada se krak pile pomakne u položaj kosog 45°, provjerite kut od 45° pomoću postavljenog kvadrata od 45° od stola do lista. Ako se stol i oštrica ne poravnaju, ponovno podesite.
4. Vijak za pozicioniranje od 45° dok se ne poravnaju. Ponovno namjestite pokazivač na oznaku 45° i učvrstite ga zatezanjem vijka pokazivača.

DUBINA PRILAGODBE REZANJA

1. Iskopčajte kabel napajanja.
2. Da biste prilagodili dubinu reza, trebat ćete primijeniti ključ ili podesivi ključ za otpuštanje šesterokutne matice.
3. Upotrijebite šesterokutni ključ za podešavanje dubine reznog vijka za podešavanje. List pile može se spustiti okretanjem vijka u smjeru kazaljke na satu, a može se podići okretanjem vijka u smjeru kazaljke na satu.
4. Spustite oštricu u grlo ploče mitralnog stola, a zatim provjerite zazor oštrice i maksimalnu udaljenost rezanja (koja je udaljenost izmjerena od ograde na mjestu ulaska oštrice) do prednjeg utora stola za mitru.
5. Po potrebi prilagodite.
6. Pritegnite šesterokutnu maticu.
7. Kako biste spriječili okretanje vijka za podešavanje dubine rezanja, dok pritežete šesterokutnu maticu, pažljivo je držite šesterokutnim ključem dok pritežete šesterokutnu maticu (Sl. 18).

UKLJUČIVANJE I ISKLJUČIVANJE (SL. 19.1, SL. 19.2)

1. Za uključivanje pile pritisnite i držite prekidač za uključivanje / isključivanje.
2. Za isključivanje pile otpustite prekidač za uključivanje / isključivanje.

UKLJUČIVANJE I ISKLJUČIVANJE

1. Odvijačem otpustite i uklonite vijak koji učvršćuje poklopac svornjaka oštrice (Sl. 20).
2. Povucite štitnik rotirajuće oštrice prema dolje, a zatim ga zakrenite prema gore zajedno s poklopcem svornjaka oštrice. Kada je rotirajuća zaštita oštrice postavljena preko gornje fiksne štitnice oštrice, moguće je pristupiti svornjaku oštrice (Sl. 21).
3. Držite okretni štitnik i pritisnite gumb za zaključavanje vretena. Okrećite oštricu dok se vreteno ne zaključa (Sl. 22).
4. Upotrijebite šesterokutni ključ za otpuštanje i uklanjanje svornjaka oštrice. (Otpustite u smjeru kazaljke na satu jer vijak oštrice ima lijevi navoj) (Sl. 23).
5. Spustite štitnik oštrice, držite okretni donji štitnik oštrice i poklopac svornjaka oštrice u položaju i zategnite vijak za pričvršćivanje (Sl. 24).

ODRŽAVANJE ALATA

1. Prije bilo kakvih radova na samom stroju, izvucite utikač za struju ili izvadite bateriju
2. Koristite čistu krpu i blagi sapun za uklanjanje prljavštine, prašine itd.
3. Nikada nemojte koristiti benzin, benzen, razrjeđivač, alkohol ili slično za čišćenje alata, jer će u protivnom alat prouzrokovati promjenu boje, deformaciju ili pucanje.
4. Održavajte otvore za ventilaciju. Očistite sve dijelove alata, povremeno očistite prašinu kako biste spriječili ulazak smeća.
5. Sve usluge MORA obavljati samo ovlašteni servisni centar.

UPOZORENJE: Ne dopustite da voda uđe u motor i alat u potpunosti uronjen u posude, što će rezultirati neispravnosću motora i električnim udarom.

ZAŠTITA OKOLIŠA

Reciklirajte sirovine, umjesto da ih odlažete kao otpad. Stroj, pribor i ambalažu treba sortirati za reciklažu prihvatljivu za okoliš. Plastične komponente su označene za kategoriziranu reciklažu.

JAMSTVO

Ovaj je proizvod zajamčen u skladu sa zakonskim propisima / propisima specifičnim za državu, koji stupaju na snagu od datuma kupnje od strane prvog korisnika. Oštećenja koja se pripisuju uobičajenom trošenju, preopterećenju ili nepravilnom rukovanju bit će isključena iz jamstva. U slučaju potraživanja, pošaljite stroj u potpunosti montiranom prodavaču ili servisnom centru za električne alate.

ROMANA

REGULI GENERALE DE SIGURANȚĂ

AVERTIZARE! Citiți toate instrucțiunile. Nerespectarea tuturor instrucțiunilor enumerate mai jos poate duce la electrocutare, incendiu și / sau vătămări corporale grave.

PĂSTRĂȚI ACESTE INSTRUCȚIUNI

Termenul „sculă electrică” din toate avertismentele enumerate mai jos se referă la scula electrică alimentată de la rețea (cu cablu) sau la scula electrică cu acumulator (fără fir).

LA LOCUL DE MUNCĂ

1. Păstrați locul de muncă curat și bine luminat. Locurile de muncă aglomerate și întunecate invită la accidente.
2. Nu folosiți sculele electrice în atmosfere explozive, cum ar fi în prezența lichidelor inflamabile, a gazelor sau a prafului. Instrumentele electrice creează scântei care pot aprinde praful sau fumul.
3. Țineți copiii și spectatorii la distanță în timp ce folosiți un instrument electric. Distragerea atenției vă poate face să pierdeți controlul.

SIGURANȚA ELECTRICĂ

1. Mufele sculelor electrice trebuie să se potrivească cu priza. Nu modificați niciodată ștecherul în niciun fel. Nu utilizați prize adaptor cu scule electrice împământate (impământate). Mufele nemodificate și prizele potrivite vor reduce riscul de electrocutare.
2. Evitați contactul corpului cu suprafețe împământate sau împământate, cum ar fi conducte, radiatoare și frigider. Există un risc crescut de electrocutare dacă corpul dumneavoastră este împământat sau împământat.
3. Nu expuneți sculele electrice la ploaie sau condiții umede. Apa care intră într-un instrument electric va crește riscul de electrocutare.
4. Nu abuzați de cablu. Nu folosiți niciodată cablul pentru transportarea, tragerea sau deconectarea sculei electrice.
5. Păstrați cablul la distanță de uleiul de căldură, muchiile ascuțite sau părțile mobile. Cablurile deteriorate sau încurcate cresc riscul de electrocutare. Când folosiți o unealtă electrică în aer liber, utilizați un prelungitor adecvat pentru utilizare în exterior. Utilizarea unui cablu adecvat pentru utilizare la exterior reduce riscul de electrocutare.

SIGURANȚĂ PERSONALĂ

1. Stai atent, urmărește ceea ce faci și folosește bunul simț atunci când folosești un instrument electric. Nu utilizați un instrument electric în timp ce sunteți obosit sau sub influența drogurilor, a alcoolului sau a medicamentelor. Un moment de neatenție în timpul funcționării sculelor electrice poate duce la vătămări corporale grave.

2. Folosiți echipament de siguranță. Purtați întotdeauna protecție pentru ochi. Echipamentele de siguranță, cum ar fi masca de praf, pantofii de protecție antiderapante, pălăria de protecție sau protecția auditivă utilizate în condiții adecvate vor reduce rănilor personale.
3. Preveniți pornirea neintenționată. Asigurați-vă că întrerupătorul este în poziția oprit înainte de a se conecta la sursa de alimentare și / sau la baterie, de a ridica sau de a transporta instrumentul. Purtarea sculelor electrice cu degetul pe comutator sau alimentarea sculelor electrice care au comutatorul pornit provoacă accidente.
4. Scoateți orice cheie de reglare sau cheie înainte de a porni scula electrică. O cheie sau o cheie lăsată atașată la o parte rotativă a sculei electrice poate duce la vătămări corporale.
5. Nu exagerați. Păstrați echilibrul și echilibrul corespunzător în orice moment. Acest lucru permite un control mai bun al sculei electrice în situații neașteptate.
6. Îmbracă-te corespunzător. Nu purtați haine largi sau bijuterii. Păstrați părul, îmbrăcămintea și mânușile departe de piesele în mișcare. Hainele libere, bijuteriile sau părul lung pot fi prinse în părțile în mișcare.
7. Dacă sunt prevăzute dispozitive pentru conectarea instalațiilor de extracție și colectare a prafului, asigurați-vă că acestea sunt conectate și utilizate în mod corespunzător. Utilizarea acestor dispozitive poate reduce pericolele legate de praf.

UTILIZAREA ȘI ÎNGRIJIREA UNELTELOR ELECTRICE

1. Nu forțați scula electrică. Utilizați instrumentul electric corect pentru aplicația dvs. Instrumentul electric corect va face treaba mai bine și mai sigur la viteza pentru care a fost proiectat.
2. Nu utilizați instrumentul electric dacă întrerupătorul nu îl pornește și nu îl oprește. Orice sculă electrică care nu poate fi controlată cu comutatorul este periculoasă și trebuie reparată.
3. Deconectați ștecherul de la sursa de alimentare înainte de a efectua orice ajustări, schimbarea accesoriilor sau stocarea sculelor electrice. Astfel de măsuri preventive de siguranță reduc riscul pornirii accidentale a sculei electrice.
4. Păstrați sculele electrice inactive la îndemâna copiilor și nu permiteți persoanelor care nu sunt familiare cu scula electrică sau cu aceste instrucțiuni să acționeze scula electrică. Instrumentele electrice sunt periculoase în mâinile utilizatorilor neantrenați.
5. Întrețineți sculele electrice. Verificați dacă există nealiniere sau legare a pieselor în mișcare, ruperea pieselor și orice alte condiții care pot afecta funcționarea sculelor electrice. Dacă este deteriorat, reparați instrumentul electric înainte de utilizare. Multe accidente sunt cauzate de scule electrice slab întreținute.

- Păstrați sculele tăiate ascuțite și curate. Unelele de tăiere întreținute corespunzător, cu muchii ascuțite, sunt mai puțin susceptibile de a se lega și sunt mai ușor de controlat.
- Utilizați scula electrică, accesoriile și bițele sculei etc., în conformitate cu aceste instrucțiuni și în modul destinat tipului specific de sculă electrică, luând în considerare condițiile de lucru și lucrările care trebuie efectuate. Utilizarea uneltei electrice pentru operațiuni diferite de cele prevăzute ar putea duce la o situație periculoasă.

INSTRUCIUNI DE SIGURANȚĂ PENTRU FERĂSTRĂU LA LOC

Atunci când utilizați acest instrument, trebuie să fiți conștienți de siguranță și trebuie să urmați pentru a evita riscul unor echipamente care pot provoca un incendiu, scurtcircuit și accidente care apar utilizatorilor. Pentru siguranța utilizatorilor, vă rugăm să citiți cu atenție manualul înainte de a utiliza aparatul.

PĂSTRAȚI GARDII LA LOC ȘI ÎN ORDINEA DE LUCRU

Nu puneți niciodată în picioare sau nu legați protecția inferioară a lamei. Verificați funcționarea protecției lamei inferioare înainte de fiecare utilizare. Nu operați dacă protecția inferioară a lamei nu se închide brusc peste lama ferăstrăului.

CORDURI DE EXTINDERE A UTILIZĂRII ÎN EXTERIOR

Când instrumentul este utilizat în aer liber, utilizați numai prelungitoare destinate utilizării în aer liber și marcate astfel.

PĂSTRAȚI LAMELE CURATE ȘI ASPECTE

Lamele ascuțite minimizează blocarea și retragerea.

PĂSTRAȚI MĂNILE ÎN FORMĂ ZONA DE TĂIERE

Țineți mâinile departe de lame. Nu ajungeți sub lucru în timp ce lama se rotește. Nu încercați să îndepărtați materialul tăiat atunci când lama se mișcă.

AVERTISMENT: Lamele se opresc după oprire.

INSPECTAȚI CORDURILE UNELTELOR PERIODIC

Dacă este deteriorat, reparați-l de un centru de service autorizat. Țineți cont în permanență de locația cablului și țineți-l departe de lama rotativă.

UTILIZAȚI GARDUL RIP

Utilizați întotdeauna un gard sau un ghidaj pentru margini drepte atunci când rupeți.

ÎNAINTE SĂ EFECTEZI O TĂIERE

Asigurați-vă că reglajele de adâncime, teșit și mi-tră sunt strânse.

FOLOSIȚI LAME CORECTE

Nu utilizați lame cu găuri de dimensiuni incorecte. Nu folosiți niciodată șaibe sau șuruburi cu lame defecte sau incorecte. Capacitatea maximă a lam-

ei pentru ferăstrău este de 254 mm.

EVITA TAIEREA UNGHIILOR

Verificați și scoateți toate cuiele din lemn înainte de tăiere.

NU

Atingeți lama sau piesele mobile în timpul utilizării.

NU

Porniți ferăstrăul când lama este în contact cu piesa de prelucrat.

LUMINA LASER. RADIATIE LASER

Nu priviți în grindă. Porniți fasciculul laser numai când instrumentul este pe piesa de prelucrat.

SPECIFICAȚIILE PRODUSULUI

UTILIZAREA PREVĂZUTĂ

Tăietoare transversale pentru lemn și plastic Conatoare, îmbinări etc. pentru tăiere transversală, pentru rame pentru tablouri, muluri, carcase de ușă și tâmplărie fină. Utilizați lama din aluminiu numai pentru tăierea aluminiului.

NOTĂ: Lama transversală furnizată este pentru majoritatea operațiilor de tăiere a lemnului.

DATE TEHNICE

Număr de identificare	46 041	
Model	SCMS 210 PLUS	
Tensiune	V	220-240
Frecvență	Hz	50/60
Putere nominală	W	1.450
Viteză fără sarcină	min ⁻¹	5.000
Dimensiunea lamei	mm	210x1,8
Capacitate maxima de taiere 0°/90°	mm	62x310
Capacitate maxima de taiere 0°/45°	mm	34x310
Capacitate maxima de taiere 45°/90°	mm	62x215
Capacitate maxima de taiere 45°/45°	mm	34x215
Greutate	kg	11,0

Valorile zgomotului emis au fost determinate conform EN 62841-1, EN 62841-3-9

A-vrednovan nivo šumova uredjaja iznosi tipično:		
Nivo zbučnog pritiska	dB(A)	70
Nivo snage zvuka	dB(A)	80
Incertitudine K	dB	3

Valorile totale ale vibrațiilor ah (suma vectorială a trei direcții) și incertitudinea K au fost determinate conform to EN 62841-1, EN 62841-3-9

Valorile totale ale vibrațiilor:

a_h	m/s ²	2,5
K	m/s ²	1,5

IDENTIFICARE (FIG. 1)

1. Comutatorul ON / OFF
2. Laser
3. Apărătoarea lamei
4. Comutator de siguranță
5. Mâner de reglare a mitrelor
6. Tabelul mitrelor
7. Ansamblu clemă
8. Blocarea mitrelor
9. Sac de praf
10. Șurub de reglare a adâncimii de șant
11. Gard
12. Scara mitrelor
13. Insert de masă (placă kerf)
14. Blocare conică
15. Apărătoare superioară a lamei fixe
16. Mâner de transport
17. Port de extragere a prafului

OPERAȚIUNE

AVERTIZARE! Înainte de a începe orice operațiune de tăiere, înșurubați ferăstrăul tăietor compus la un banc de lucru. Nu folosiți niciodată ferăstrăul tăietor pe podea sau într-o poziție ghemuită. Nerespectarea acestui avertisment poate duce la vătămări corporale grave.

AVERTIZARE! Folosiți menhina pentru a vă asigura că piesa de lucru rămâne liberă pe o parte a lamei pentru a preveni legarea lamei în piesa de lucru. Lama de legare a piesei de prelucrat va provoca blocarea și retragerea motorului. Această situație poate provoca un accident care poate duce la vătămări corporale grave.

TRANSCUTARE

O tăiere transversală se face prin tăierea granulelor piesei de prelucrat. O tăiere transversală la 90° se realizează cu masa de mitrare setată la poziția de zero grade. Tăieturile încrucișate sunt realizate cu tabelul de mitră setat la un alt unghi, altul decât zero.

1. Trageți știftul de blocare și ridicați capul ferăstrăului la toată înălțimea sa.
2. Deblocați tabelul mitrelor.
3. Rotiți tabelul de mitră până când indicatorul se aliniază cu unghiul dorit pe scala mitrelor.
4. Blocați butonul de blocare a mesei mitre.

NOTĂ: Puteți localiza rapid 0, 5, 10, 15, 22,5, 25, 31,35, 40, 45° la stânga sau la dreapta pe scară.

5. Masa cu unghiuri poate fi așezată într-una dintre creștăturile pozitive de oprire, situate

în cadrul mesei pentru unghiuri. Așezați piesa de lucru pe masă cu unghiuri, cu o margine în siguranță împotriva gardului. Dacă marginea concavă a unei plăci este așezată împotriva gardului, placa s-ar putea prăbuși pe lamă la sfârșitul tăieturii, blocând lama.

6. Când tăiați bucăți lungi de cherestea sau de turnare, susțineți capătul opus al stocului cu suporturile materiale.
7. Aliniați linia de tăiere pe piesa de lucru cu marginea lamei de ferăstrău.
8. Folosiți menhina pentru a fixa piesa de lucru (Fig. 2.1, Fig. 2.2).

AVERTIZARE! Pentru a evita vătămări corporale grave, țineți-vă mâinile în afara zonei fără mâini; la cel puțin 75 mm de lamă. Nu efectuați niciodată nicio operație de tăiere cu mâna liberă (fără a ține piesa de lucru pe gard). Lama ar putea apuca piesa de prelucrat dacă alunecă sau se răsucesce.

9. Înainte de a porni ferăstrăul, efectuați o operație de tăiere uscată doar pentru a vă asigura că nu vor apărea probleme la tăierea.
10. Apucați ferm mânerul ferăstrăului, strângeți trăgaciul. Lăsați câteva secunde ca lama să atingă viteza maximă.
11. Apăsați comutatorul de pornire / oprire laser pentru a porni laserul.
12. Apăsați maneta de eliberare a protecției inferioare și apoi coborâți încet lama în și prin piesa de prelucrat.
13. Eliberați declanșatorul și lăsați lama de ferăstrău să nu se mai rotească înainte de a ridica lama din piesa de prelucrat.

TĂIEREA BISELULUI (FIG. 3)

O tăietură teșită se realizează prin tăierea granulelor piesei de prelucrare cu lama înclinată spre gard și masa de tăiere. O tăietură teșită se face cu masa de mitrare setată la poziția de zero grade și lama setată la un unghi între 0° și 45°.

1. Trageți știftul de blocare și ridicați capul ferăstrăului la toată înălțimea sa.
2. Slăbiți mânerul de blocare a mesei mitre.
3. Rotiți tabelul de mitră până când indicatorul se aliniază cu zero pe scara mitrelor.
4. Blocați masa cu unghiuri rotind butonul de blocare a mesei cu unghiuri în sensul acelor de ceasornic.

AVERTIZARE! Pentru a evita vătămări corporale grave, împingeți întotdeauna cleva de masă a mitrelor înapoi înainte de a efectua o tăietură. Nerespectarea acestui lucru ar putea duce la mișcarea mesei de tăiere în timp ce efectuați o tăietură, provocând răniri grave.

5. Slăbiți pârghia de blocare a teșitului și deplasați capul ferăstrăului spre stânga până la unghiul de teșire dorit.
6. Unghiurile conice pot fi setate de la 0° la 45°.
7. Aliniați punctul indicatorului cu unghiul dorit.
8. După ce brațul ferăstrăului a fost fixat la unghiul dorit, strângeți în siguranță maneta de

- blocare a țesutului.
- Așezați piesa de lucru pe masă, cu o margine fixată bine de gard. Dacă placa este deformată, așezați partea convexă împotriva gardului. Dacă marginea concavă a plăcii este așezată împotriva gardului, placa s-ar putea prăbuși pe lamă la sfârșitul tăieturii, blocând lama.
 - Când tăiați bucăți lungi de cherestea sau de turnare, sprijiniți capătul (capetele) în sus al suportului cu suporturile materiale.
 - Aliniați linia de tăiere pe piesa de lucru cu marginea lamei de ferăstrău.
 - Prindeți ferm stocul cu o mână și fixați-l de gard. Strângeți menghina pentru a fixa piesa de prelucrat.

AVERTIZARE! Pentru a evita vătămări corporale grave, țineți-vă mâinile în afara zonei fără mâini; la cel puțin 75 mm de lamă. Nu efectuați niciodată nicio operație de tăiere cu mâna liberă (fără a ține piesa de lucru pe gard). Lama ar putea apuca piesa de prelucrat dacă alunecă sau se răsucesce.

- Înainte de a porni ferăstrăul, efectuați o operație de tăiere uscată doar pentru a vă asigura că nu vor apărea probleme la tăierea.
- Apucați ferm mânerul ferăstrăului, apoi strângeți trăgaciul. Lăsați câteva secunde ca lama să atingă viteza maximă.
- Apăsăți butonul de pornire / oprire laser pentru a porni laserul.
- Deblocați butonul de siguranță al protecției inferioare de blocare și apoi coborâți încet lama în și prin piesa de lucru.
- Eliberați declanșatorul și lăsați lama de ferăstrău să nu se mai rotească înainte de a ridica lama din piesa de prelucrat.

COMPONENT MITRE CUT

O tăietură de mitră compusă este o tăietură realizată utilizând în același timp un unghi de mitră și un unghi de țesire. Acest tip de tăiere este utilizat pentru realizarea de rame pentru tablouri, tăierea turnării, realizarea cutiilor cu laturile înclinate și pentru anumite tăieturi de încadrare a acoperișului. Pentru a face acest tip de tăiere, masa de tăiere trebuie rotită la unghiul corect, iar brațul ferăstrăului trebuie înclinat la unghiul corect de țesit. Ar trebui să aveți întotdeauna grijă atunci când realizați setări de mitre compuse datorită interacțiunii dintre cele două unghiuri. Ajustările setărilor de mitră și țesit sunt interdependente una de cealaltă. De fiecare dată când reglați setarea mitră, schimbați efectul setării conice.

De asemenea, de fiecare dată când reglați setarea conică schimbați efectul setării mitră. Este posibil să fie necesare mai multe setări pentru a obține tăierea dorită. Prima setare a unghiului trebuie verificată după setarea celui de-al doilea unghi, deoarece reglarea celui de-al doilea unghi îl afectează pe primul.

Odată ce s-au obținut cele două setări corecte pentru o anumită tăietură, efectuați întotdeauna o tăietură de test în resturi de lemn înainte de a face o tăietură finisată în lemn bun.

- Trageți știftul de blocare și ridicați capul

- ferăstrăului la toată înălțimea sa.
- Slăbiți butonul de blocare a mesei mitre.
- Rotiți tabelul de mitră până când indicatorul se aliniează cu unghiul dorit pe scala mitrelor.
- Strângeți butonul de blocare a mesei mitre.
- Slăbiți pârghia de blocare a țesutului și deplasați brațul ferăstrăului spre stânga până la unghiul de țesire dorit.
- Unghiurile conice pot fi setate de la 0 ° la 45 °.
- Aliniați punctul indicatorului cu unghiul dorit.
- După ce brațul ferăstrăului a fost fixat la unghiul dorit, strângeți în siguranță maneta de blocare a țesutului.
- Așezați piesa de lucru pe masă, cu o margine fixată bine de gard. Dacă placa este deformată, așezați partea convexă împotriva gardului, dacă marginea concavă a plăcii este așezată împotriva gardului, placa se poate prăbuși pe lamă la sfârșitul tăieturii, blocând lama.
- Când tăiați bucăți lungi de cherestea sau de turnare, susțineți capătul opus al stocului cu suporturile materiale.
- Aliniați linia de tăiere pe piesa de lucru cu marginea lamei de ferăstrău.
- Prindeți ferm stocul cu o mână și fixați-l de gard. Strângeți menghina pentru a fixa piesa de prelucrat.
- Înainte de a porni ferăstrăul, efectuați o operație de tăiere uscată doar pentru a vă asigura că nu vor apărea probleme la tăierea.
- Apăsăți butonul de pornire / oprire laser pentru a porni laserul.
- Apucați ferm mânerul ferăstrăului, apoi strângeți trăgaciul. Lăsați câteva secunde ca lama să atingă viteza maximă.
- Eliberați declanșatorul și lăsați lama de ferăstrău să nu se mai rotească înainte de a ridica lama din piesa de prelucrat.

TĂIEREA PIETELOR DE LUCRU MAI MARI CU ACȚIUNE DE ALUNE

- Când tăiați piese mari de lucru cu acțiunea de alunecare, piesa de lucru este așezată drept de gardul din spate și este blocată ferm în menghină.
- Prindeți ferm mânerul ferăstrăului (Fig. 4).
- Glisați capul de tăiere departe de gardul din spate în poziția maximă exterioară, apoi apăsați pe trăgaci (Fig. 5).
- Coborâți încet lama în și prin piesa de lucru și împingeți capul de tăiere pentru a avea lama prin piesa de lucru mai mare spre gardul din spate (Fig. 6).

AVERTIZARE! Nu puneți niciodată forță nejustificată pe mânerul ferăstrăului într-o direcție dreaptă sau stângă, deoarece aceasta va dezalina capul și va avea ca rezultat o tăiere inexactă.

FASCICUL CU LASER

Lumina din fasciculul laser vă oferă un ghid care arată exact o linie în care lama trebuie să taie pe piesa de lucru de la masă. Raza laser poate fi pornită după cum este necesar:

- Apăsăți comutatorul de pornire / oprire laser pen-

tru a porni laserul și apăsați din nou comutatorul pentru a opri laserul. Cablul de rețea furnizează energie laserului. Raza laser trebuie aliniată înainte de a fi utilizată pentru prima dată. Puneți banca în poziția unghiului 0°. Slăbiți ușor șurubul de aliniere laser. Porniți laserul și aliniați fasciculul astfel încât acesta să fie orientat. Exact la marcajul de 0° al dispozitivului de reglare a tăierii mitrei.

APLICAȚII

Pentru a preveni pornirea accidentală care ar putea cauza posibile vătămări corporale grave, asamblați toate piesele și asigurați-vă că toate avertismentele: ajustările sunt complete, asigurați-vă că toate elementele de fixare sunt sigure înainte de a conecta ferăstrăul la sursa de alimentare. Ferăstrăul nu trebuie conectat niciodată la sursa de alimentare atunci când asamblați piese, faceți reglaje, instalați sau scoateți lamele sau când nu este utilizat.

ATASAMENT VICE (FIG. 7)

Pentru a atașa menghina, împingeți tija de fixare rotundă în orificiul de fixare a menghinei și rotiți butonul de blocare din spate în sensul acelor de ceasornic pentru a se bloca.

SAC DE PRAF (FIG. 8)

Atașați punga de praf prin apășarea celor două arcuri metalice împreună.

BLOCAȚI PINUL (FIG. 9)

Mașina dvs. are un știft de blocare pentru un transport mai ușor. Pentru a debloca capul, scoateți știftul și trageți brațul ferăstrăului în poziție verticală.

Pentru a preveni mișcarea glisantă a capului ferăstrăului în timpul transportului, blocați butonul de blocare a glisierului, așa cum se arată în.

0-45° REGLARE MITRE

Unitatea de tăiere a mașinii taie de la 0° la 45° atât la dreapta cât și la stânga, cu opriri pozitive la 0, 5, 10, 15, 22,5, 25, 31,35, 40, 45°. Desfaceți butonul de blocare a mesei mitrelor și mutați tabla mitrelor în unghiul de tăiere dorit. Strângeți din nou butonul de blocare a mesei pentru a bloca masa în poziție.

GARD

Gardul din spate al ferăstrăului tăiat cu unghi compus a fost prevăzut pentru a vă menține în siguranță piesa de lucru atunci când faceți toate tăieturile.

APĂRĂ LAMEI INFERIORE AUTORETRACTIVE

Apărătoarea inferioară a lamei este fabricată din plastic transparent, rezistent la șocuri, care asigură protecție de fiecare parte a lamei. Se retrage peste protecția superioară a lamei pe măsură ce ferăstrăul este coborât în piesa de prelucrat.

AVERTISMENT: ferăstrăul tăiat cu unghiuri compuse are 4 găuri pentru montare pe bancul de lucru. Asigurați-vă întotdeauna că ferăstrăul tăietor com-

pus este montat în siguranță pe un banc de lucru sau pe un suport de lucru aprobat. Nerespectarea acestui lucru poate duce la un accident care provoacă vătămări corporale grave.

CONEXIUNE ELECTRICA

Ai văzut are un motor electric construit cu precizie. Ar trebui să fie conectat la o sursă de alimentare 240 volți AC, 50-60Hz, numai (curent normal de uz casnic). Nu utilizați acest instrument pe curent continuu (DC). O cădere substanțială de tensiune va provoca o pierdere de energie și motorul se va supraîncălzi. Dacă instrumentul dvs. nu funcționează când este conectat la o priză, verificați de două ori sursa de alimentare.

AVERTISMENT: Funcționarea oricărui instrument electric poate duce la aruncarea obiectelor străine în ochi, ceea ce poate duce la leziuni oculare grave. Înainte de a începe funcționarea sculei electrice, purtați întotdeauna ochelari de protecție sau ochelari de protecție cu scuturi laterale și un scut complet atunci când este necesar. Vă recomandăm o mască de siguranță pentru viziune largă pentru utilizare peste ochelari de vedere sau ochelari standard de siguranță cu scuturi laterale.

AVERTISMENT: Nu încercați să modificați acest instrument sau să creați accesorii nerecomandate pentru utilizarea cu acest instrument. Orice astfel de modificare sau modificare este utilizată greșit și poate duce la o stare periculoasă care duce la posibile vătămări corporale grave.

AJUSTARE

Ferăstrăul tău compus a fost reglat din fabrică pentru a face tăieturi foarte precise.

Cu toate acestea, unele componente ar fi putut fi scoase din aliniament în timpul transportului.

De asemenea, într-o perioadă de timp, reajustarea va deveni probabil necesară din cauza uzurii.

După despachetarea ferăstrăului, verificați următoarele ajustări înainte de a începe să utilizați ferăstrăul. Efectuați orice reglaje necesare și verificați periodic alinierea pieselor pentru a vă asigura că ferăstrăul tăie cu precizie.

AVERTISMENT: Pentru a preveni pornirea accidentală care ar putea cauza posibile vătămări corporale grave, asamblați toate piesele la ferăstrău înainte de a le conecta la sursa de alimentare. Ferăstrăul nu trebuie conectat niciodată la sursa de alimentare atunci când asamblați piese, faceți reglaje, instalați sau scoateți lamele sau când nu este utilizat.

ÎNLOCUIREA LAMEI

PERICOL: O lamă cu diametrul de 254 mm x 2,0 mm este capacitatea maximă a lamei pentru ferăstrău. Nu folosiți niciodată o lamă prea groasă pentru a permite șabei exterioare a lamei să se cupleze cu platele de pe ax. Scoateți șurubul brațului lamei inferioare și slăbiți șurubul de pe capacul șurubului lamei până când ansamblul de protecție a lamei inferioare poate fi ridicat pentru

a expune șurubul lamei.

1. Apăsăți butonul de blocare a axului în timp ce rotiți lama. Butonul de blocare a arborelui va acționa blocarea arborelui (Fig.10).
2. Scoateți șurubul lamei și flanșa exterioară a lamei și înlocuiți lama. Folosiți cheia pentru a slăbi șurubul lamei. Vă rugăm să rețineți - acesta este un fir de stânga, așa că slăbiți în sensul ORARULUI. Atașați din nou flanșa lamei exterioare și fixați bine șurubul lamei și reatașați protecția inferioară a lamei (Fig.11).

AVERTISMENT: Dacă șaiba interioară a lamei a fost îndepărtată, înlocuiți-o înainte de a pune lama pe ax. Nerespectarea acestui lucru poate provoca un accident, deoarece lama nu se va strânge corect.

ATENȚIE: Instalați întotdeauna lama cu dinții lamei îndreptate în jos.

ÎNCADRAREA LAMEI LA MASA MITRĂ LA 0°

Trageți brațul ferăstrăului până la capăt și blocați știftul de blocare pentru a menține brațul ferăstrăului în poziția de transport. Deblocați pârghia de blocare teșită și deplasați brațul ferăstrăului în poziția 0° și blocați pârghia de blocare teșită (Fig.12).

Așezați pătratul stabilit pe masa de mitră și pe lamă. În cazul în care tabelul cu lamă și mitră nu se aliniază, reglați după cum urmează (Fig.13).

1. Desurubați șurubul de poziționare a conului de 0° din partea dreaptă, așa cum se arată (Fig.14).
2. Aliniați corect lama și masa de tăiere cu ajutorul pătratului setat și blocați maneta de blocare teșită.
3. Deplasați brațul ferăstrăului până când indicatorul se află în jos în poziția conică de 0° și strângeți șurubul de poziționare a conului 0°. Verificați unghiul de 0° folosind un pătrat de 90° de la masa lamă. În cazul în care masa și lama nu se aliniază, reglați din nou șurubul de poziționare a conului de 0° până când sunt aliniate, apoi reglați indicatorul la 0° și fixați-l strângând șurubul indicatorului (Fig.15).

ÎNCADRAREA LAMEI LA MASA MITRĂ LA 45°

1. Mutați brațul ferăstrăului în poziția conică de 45° (Fig. 16).
2. În cazul în care brațul ferăstrăului nu poate atinge o poziție completă de 45°, șurubul de poziționare a conului de 45° va trebui resetat (Fig. 17).
3. Când brațul ferăstrăului este deplasat în poziția conică de 45°, verificați unghiul de 45° folosind un pătrat setat de 45° de la masa lamă. Dacă masa și lama nu se aliniază, reglați din nou.
4. Șurubul de poziționare la 45° până la alinierea. Reglați din nou indicatorul la 45° și fixați-l strângând șurubul indicatorului.

ADÂNCIMEA DE AJUSTARE A TĂIERII

1. Deconectați cablul de alimentare.
2. Pentru a regla adâncimea de tăiere, trebuie aplicată o cheie sau o cheie reglabilă pentru a

slăbi piulița hexagonală.

3. Folosiți o cheie hexagonală pentru a regla șurubul de reglare a adâncimii tăierii. Lama ferăstrăului poate fi coborâtă prin rotirea șurubului în sens invers acelor de ceasornic și poate fi ridicată prin rotirea șurubului în sensul acelor de ceasornic.
4. Coborâți lama în placa de gât a mesei de mitră, apoi verificați distanța lamei și distanța maximă de tăiere (care este distanța măsurată de la gardul unde intră lama) până la partea din față a fantei mesei de mitrare.
5. Reajustați dacă este necesar.
6. Strângeți piulița hexagonală.
7. Pentru a preveni rotirea adâncimii șurubului de reglare a tăierii, în timp ce strângeți piulița hexagonală, țineți-o cu atenție cu cheia hexagonală la strângerea piuliței hexagonale (Fig.18).

PORNIREA ȘI OPRIREA (FIG. 19.1, FIG. 19.2)

1. Pentru a porni ferăstrăul, apăsați și țineți apăsat butonul de declanșare pornire / oprire.
2. Pentru a opri ferăstrăul, eliberați comutatorul de declanșare pornire / oprire.

PORNIREA ȘI OPRIREA

1. Cu o șurubelniță slăbiți și scoateți șurubul care fixează capacul șurubului lamei (Fig. 20).
2. Trageți protecția rotativă a lamei în jos, apoi rotiți-o împreună cu capacul șurubului lamei. Atunci când dispozitivul de protecție rotativ al lamei este poziționat deasupra dispozitivului de protecție superior al lamei fixe, este posibil să accesați șurubul lamei (Fig. 21).
3. Țineți apărațoarea rotativă în sus și apăsați butonul de blocare a axului. Rotiți lama până când se blochează axul (Fig. 22).
4. Folosiți cheia hexagonală furnizată pentru a slăbi și scoate șurubul lamei. (Slăbiți în sensul acelor de ceasornic, deoarece șurubul lamei are un filet de stânga) (Fig. 23).
5. Coborâți protecția lamei, țineți în poziție protecția rotativă a lamei inferioare și capacul șurubului lamei și strângeți șurubul de fixare (Fig. 24).

ÎNTREȚINEREA UNELTELOR

1. Înainte de orice lucrare la mașină, trageți ștecherul sau scoateți-l din acumulator
2. Folosiți cârpe curate și săpun ușor pentru a îndepărta murdăria, praful etc.
3. Nu folosiți niciodată benzină, benzen, diluant, alcool sau altele similare cu instrumentele curate, altfel va provoca decolorarea, deformarea sau crăparea instrumentelor.
4. Păstrați orificiile de aerisire curate. Curățați toate părțile instrumentului, curățați periodic praful pentru a preveni pătrunderea resturilor.
5. Toate serviciile TREBUIE să fie efectuate numai de către Centrul de service autorizat.

AVERTISMENT: Nu permiteți pătrunderea apei în motor și instrumentul complet scufundat în vase, ceea ce va duce la defecțiuni ale motorului și la electrocutare.

PROTECTIA MEDIULUI

Reciclați materiile prime în loc să le aruncați ca deșeurii. Mașinile, accesoriile și ambalajele trebuie sortate pentru reciclare ecologică. Componentele din plastic sunt etichetate pentru reciclare clasificată.

GARANȚIE

Acest produs este garantat în conformitate cu reglementările legale / specifice țării, începând cu data cumpărării de către primul utilizator. Daunele atribuite uzurii normale, suprasolicității sau manipulării necorespunzătoare vor fi excluse din garanție. În cazul unei reclamații, vă rugăm să trimiteți mașina, complet asamblată, la dealerul dvs. sau la centrul de service pentru unelte electrice.

MAGYAR

ÁLTALÁNOS BIZTONSÁGI SZABÁLYOK

FIGYELEM! Olvassa el az összes utasítást. Az alábbi utasítások be nem tartása áramütést, tüzet és/vagy súlyos személyi sérülést okozhat.

ŐRIZZE MEG EZEKET AZ UTASÍTÁSOKAT

Az „elektromos szerszám” kifejezés az alábbiakban felsorolt összes figyelmeztetésben az Ön hálózatról működtetett (vezetékes) elektromos kéziszerszámára vagy akkumulátoros (vezeték nélküli) elektromos kéziszerszámára vonatkozik.

MUNKAHELY

1. A munkahelyet tartsa tisztán és jól megvilágítva. A zsúfolt és sötét munkahelyek balesetekhez vezethetnek.
2. Ne működtesse az elektromos szerszámokat robbanásveszélyes környezetben, például gyúlékony folyadékok, gázok vagy por jelenlétében. Az elektromos szerszámok szikrákat hoznak létre, amelyek meggyújthatják a port vagy a gőzöket.
3. Az elektromos kéziszerszám használata közben tartsa távol a gyerekeket és a közelben lévőket. A zavaró tényezők elveszíthetik az irányítást.

ELEKTROMOS BIZTONSÁG

1. Az elektromos szerszámok csatlakozóinak illeszkedniük kell a konnektorhoz. Soha semmilyen módon ne módosítsa a csatlakozót. Ne használjon adapterdugót földelt (földelt) elektromos szerszámokhoz. A nem módosított dugók és a megfelelő aljzatok csökkentik az áramütés kockázatát.
2. Kerülje a test érintkezését földelt vagy földelt felületekkel, mint például vezetékek, radiátorok és hűtőszekrények. Fennáll az áramütés veszélye, ha teste földelve van.
3. Ne tegye ki az elektromos szerszámokat esőnek vagy nedves körülményeknek. Az elektromos kéziszerszámba jutó víz növeli az áramütés kockázatát.
4. Ne éljen vissza a vezetékkel. Soha ne használja a kábelt az elektromos kéziszerszám hordozására, húzására vagy kihúzására.
5. Tartsa távol a vezetéket forró olajtól, éles széléktől vagy mozgó alkatrészekről. A sérült vagy összegabalyodott vezetékek növelik az áramütés kockázatát. Ha az elektromos kéziszerszámot a szabadban használja, használjon kültéri használatra alkalmas hosszabbítót. A kültéri használatra alkalmas kábel használata csökkenti az áramütés kockázatát.

SZEMÉLYES BIZTONSÁG

1. Legyen éber, figyelje, mit csinál, és használja a józan eszét, amikor elektromos kéziszerszámot használ. Ne használjon elektromos szerszámot, ha fáradt vagy kábítószert, alkoholt vagy gyógyszer hatása alatt áll. Egy pillanatnyi figyelmetlenség az elektromos kéziszerszám

- mok használata közben súlyos személyi sérülést okozhat.
2. Használjon biztonsági felszerelést. Mindig viseljen szemvédőt. A megfelelő körülmények között használt biztonsági felszerések, például porárc, csúszámentes biztonsági cipő, védősisak vagy hallásvédő csökkentik a személyi sérülések számát.
 3. Kerülje a hirtelen indítást. Győződjön meg róla, hogy a kapcsoló kikapcsolt állásban van, mielőtt csatlakoztatná a hálózathoz. Ha az új-ját a kapcsolón tartja, vagy olyan elektromos szerszámot csatlakoztat, amelynél a kapcsoló be van kapcsolva, balesetet okozhat.
 4. Az elektromos kéziszerszám bekapcsolása előtt távolítsa el minden beállító kulcsot vagy csavarkulcsot. Az elektromos kéziszerszám forgó alkatrészén hagyott csavarkulcs vagy kulcs személyi sérülést okozhat.
 5. Ne nyúljon túl. Mindig tartsa a megfelelő lábtartást és egyensúlyt. Ez lehetővé teszi az elektromos kéziszerszám jobb irányítását váratlan helyzetekben.
 6. Öltözz rendszeren. Ne viseljen bő ruhát vagy ékszert. Haját, ruházatát és kesztyűjét tartsa távol a mozgó alkatrészekről. A bő ruhák, ékszerek vagy hosszú haj beakadhatnak a mozgó alkatrészekbe.
 7. Ha a porfelszívó és -gyűjtő berendezések csatlakoztatására vannak biztosítva eszközök, gondoskodjon ezek csatlakoztatásáról és megfelelő használatáról. Ezen eszközök használata csökkenti a porral kapcsolatos veszélyeket.

AZ ELEKTROMOS SZERSZÁMOK HASZNÁLATA ÉS GONDOZÁSA

1. Ne erőltesse az elektromos kéziszerszámot. Használja az alkalmazásának megfelelő elektromos szerszámot. A megfelelő elektromos kéziszerszám jobban és biztonságosabban végzi el a munkát a tervezett sebesség mellett.
2. Ne használja az elektromos kéziszerszámot, ha a kapcsoló nem kapcsolja be és ki. Minden olyan elektromos kéziszerszám, amely nem vezérelhető a kapcsolóval, veszélyes, ezért meg kell javítani.
3. Húzza ki a csatlakozódugót az áramforrásból, mielőtt bármilyen beállítást végezne, tartozékokat cserélne vagy az elektromos szerszámokat tárolná. Az ilyen megelőző biztonsági intézkedések csökkentik az elektromos kéziszerszám véletlen beindításának kockázatát.
4. A használaton kívüli elektromos szerszámokat gyermekektől elzárva tárolja, és ne engedje, hogy olyan személyek kezeljék az elektromos kéziszerszámot, akik nem ismerik az elektromos kéziszerszámot vagy ezeket az utasításokat. Az elektromos szerszámok veszélyesek szakképzetlen felhasználók kezében.
5. Karbantartsa az elektromos szerszámokat. Ellenőrizze, hogy a mozgó alkatrészek nem illeszkednek-e vagy beszorultak-e, nem törnek-e el az alkatrészek, és minden olyan kö-

rülmény, amely befolyásolhatja az elektromos kéziszerszám működését. Ha megsérült, használat előtt javíttassa meg az elektromos kéziszerszámot. Sok balesetet a rosszul karbantartott elektromos szerszámok okoznak.

6. Tartsa a vágószerszámokat élesen és tisztán. A megfelelően karbantartott, éles vágóélekkel rendelkező vágószerszámok kisebb valószínűséggel ragadnak be, és könnyebben irányíthatók.
7. Az elektromos kéziszerszámot, a tartozékokat és a szerszámhegyeket stb. a jelen utasításoknak megfelelően és az adott típusú elektromos kéziszerszámhoz előírt módon használja, figyelembe véve a munkakörülményeket és az elvégzendő munkát. Ha az elektromos kéziszerszámot a tervezettől eltérő műveletekre használja, veszélyes helyzet alakulhat ki.

BIZTONSÁGI UTASÍTÁSOK GÉRFŰRÉSZHEZ

szerszám használatakor ügyelni kell a biztonságra, és be kell tartani, hogy elkerülje a tüzet, rövidzárlatot/ és a felhasználókat érintő baleseteket okozó berendezések kockázatát. A felhasználók biztonsága érdekében kérjük, figyelmesen olvassa el a kézikönyvet a gép használata előtt.

A VÉDŐKET TARTSA HELYEN ÉS MŰKÖDÉSBEN RENDELÉS

Soha ne ékelje fel vagy kösse fel az alsó fűrészlapvédőt. Minden használat előtt ellenőrizze az alsó késvédő működését. Ne működtesse, ha az alsó fűrészlapvédő nem záródik gyorsan a fűrészlap felett.

KÜLTÉRI HASZNÁLATI HOSSZABBÍTÓK

Ha a szerszámot kültéren használja, csak olyan hosszabbítót használjon, amelyet kültéri használatra terveztek és így megjelöltek.

TARTSA TISZTÁN ÉS ÉLESEN A KÉSEKET

Az éles pengék minimalizálják az elakadást és a visszarúgást.

TARTSA TÁVOL A KEZEIT A FORMA VÁGÁSI TERÜLETÉN

Tartsa távol a kezét a késektől. Ne nyúljon a munka alá, miközben a penge forog. Ne kísérelje meg eltávolítani a vágott anyagot, amikor a penge mozog.

FIGYELEM

Kikapcsolás után a pengék szabadon mozognak.

RENDSZERESEN ELLENŐRIZZE A SZERSZÁM ZSINÓRJAIT

Ha megsérült, javíttassa meg a hivatalos szervizközpontban. Folyamatosan ügyeljen a vezeték elhelyezkedésére, és tartsa távol a forgó pengétől.

HASZNÁLJON RIP KERÍTÉST

Hasításkor mindig használjon kerítést vagy egyenes élvezetőt.

VÁGÁS ELŐTT

Győződjön meg arról, hogy a mélység, a ferde és a gérbéállítások szorosak.

HASZNÁLJON MEGFELELŐ KÉSEKET

Ne használjon nem megfelelő méretű furatú pengéket. Soha ne használjon hibás vagy helytelen kés alátéteket vagy csavarokat. A fűrész maximális fűrészlapkapacitása 254 mm.

KERÜLJÜK A KÖRÖM VÁGÁSÁT

Vágás előtt ellenőrizze és távolítsa el az összes szöveget a fáról.

SOHA

Használat közben érintse meg a pengét vagy a mozgó alkatrészeket.

SOHA

Indítsa el a fűrész, amikor a fűrészlap érintkezik a munkadarabbal.

LÉZERFÉNY. LÉZERSUGÁRZÁS

Ne nézzen a sugárba. Csak akkor kapcsolja be a lézersugarat, ha a szerszám a munkadarabon van.

TERMÉKLEÍRÁS

RENDELTESSZERŰ HASZNÁLAT

Keresztvágás fa és műanyag Keresztvágó gérvágók, illesztések stb. képekerekhez, díszlécekhez, ajtótokokhoz és finom asztalosokhoz. Csak alumínium vágáshoz használjon alumínium kést.

JEGYZET

A mellékelt keresztvágó penge a legtöbb favágási művelethez használható.

MŰSZAKI ADATOK

Cikkszám	46 041	
Model	SCMS 210 PLUS	
Névleges feszültség	V	220-240
Frekvencia	Hz	50/60
Bemeneti teljesítmény	W	1.450
Nincs terhelési sebesség	min ⁻¹	5.000
Penge mérete	mm	210x1,8
Max vágási teljesítmény 0° /90°	mm	62x310
Max vágási teljesítmény 0° /45°	mm	34x310
Max vágási teljesítmény 45° /90°	mm	62x215
Max vágási teljesítmény 45° /45°	mm	34x215
Súly	kg	11,0

A hangkibocsátási értékeket az EN 62841-1, EN 62841-3-9 szerint határozták meg

A termék A-súlyozott zajszintjei általában a következők:

Hangnyomás szint	dB(A)	70
Hangteljesítmény szintje	dB(A)	80
Bizonytalanság K	dB	3

Az EN 62841-1, EN 62841-3-9 szerint meghatározott rezgési összetérkek ah (triax vektorösszeg) és K bizonytalanság

Maximális rezgésint:

a _h	m/s ²	2,5
K	m/s ²	1,5

AZONOSÍTÁS (1. ÁBRA)

1. BE/KI kapcsoló
2. Lézer
3. Pengevédő
4. Biztonsági kapcsoló
5. Gérbéállító fogantyú
6. Gérvágó asztal
7. Szorító összeállítás
8. Gérvágó zár
9. Porzsák
10. Árokásás mélységállító csavar
11. Kerítés
12. Gérvágó mérleg
13. Asztalbetét (vágólap)
14. Ferde zár
15. Felső fix pengevédő
16. Hordozó fogantyú
17. Porelszívó nyílás

MŰVELET

FIGYELEM

Bármilyen vágási művelet megkezdése előtt csavarozza fel az összetett gérvágó fűrész egy munkapadra. Soha ne működtesse a gérfűrész a padlón vagy görnyedt helyzetben. Ennek a figyelmeztetésnek a figyelmen kívül hagyása súlyos személyi sérülést okozhat.

FIGYELEM

satu segítségével rögzítse a munkadarabot, hogy a penge egyik oldalán szabadon maradjon, nehogy a penge beszoruljon a munkadarabba. A munkadarabot rögzítő penge a motor leállítását és visszarúgást okoz. Ez a helyzet súlyos személyi sérüléssel járó balesetet okozhat.

KERESZTVÁGÁS

A keresztmetszet a munkadarab szemcséinek átvágásával történik. A 90°-os keresztmetszet a gérvágóasztal nulla fokos helyzetében történik. A gérvágó keresztmetszetek úgy készülnek, hogy a gérvágó asztal nullától eltérő szögben van beállítva.

1. Húzza ki a rögzítőcsapot, és emelje fel a fűrészfejet teljes magasságába.
2. Oldja ki a gérvágó asztalt.
3. Forgassa el a gérvágó asztalt, amíg a mutató a

kívánt szögbe nem kerül a gérvágó skálán.

4. Zárja le a gérvágóasztal rögzítő gombját.

JEGYZET

Gyorsan megtalálhatja a 0, 5, 10, 15, 22,5, 25, 31,35, 40, 45°-os értékeket a skálán balra vagy jobbra.

5. gérvágó asztal a gérvágóasztal keretében található pozitív ütközők egyikébe illeszthető. Helyezze a munkadarabot laposan a gérvágó asztra úgy, hogy az egyik éle biztonságosan a kerítéshez támaszkodjon. Ha egy deszka homorú élét a kerítéshez helyezi, a deszka a vágás végén ráeshet a pengére, és elakadhat a penge.
6. Hosszú fadarabok vagy öntvények vágásakor támassza alá az állomány másik végét az anyag-támaszokkal.
7. Igazítsa a munkadarab vágási vonalát a fűrészlap éléhez.
8. A satu segítségével rögzítse a munkadarabot (2.1. ábra, 2.2. ábra).

FIGYELEM

A súlyos személyi sérülések elkerülése érdekében tartsa a kezét a kéz nélküli zónán kívül, legalább 75 mm-re a pengétől. Soha ne végezzen szabadkézi vágási műveletet (anélkül, hogy a munkadarabot a kerítéshez tartaná). A penge megragadhatja a munkadarabot, ha az megcsúszik vagy elcsavarodik.

9. A fűrész bekapcsolása előtt végezze el a vágási műveletet szárazon, hogy megbizonyosodjon arról, hogy a vágás során nem történik probléma.
10. Fogja meg erősen a fűrész fogantyúját, nyomja meg a ravaszt. Várjon néhány másodpercet, amíg a fűrészlap eléri a maximális sebességet.
11. Nyomja meg a lézer be/ki kapcsolót a lézer bekapcsolásához.
12. Nyomja meg az alsó védőburkolat kioldó kart, majd lassan engedje le a pengét a munkadarabba és azon keresztül.
13. Engedje el a ravaszt, és hagyja, hogy a fűrészlap leálljon, mielőtt kiemeli a pengét a munkadarabból.

FERDE VÁGÁS (3. ÁBRA)

A ferde vágást úgy végezzük, hogy átvágjuk a munkadarab szemcséit úgy, hogy a penge szögben áll a kerítéshez és a gérvágó aszthalhoz. A ferde vágást úgy végezzük, hogy a gérvágó asztal nulla fokos helyzetbe van állítva, a penge pedig 0° és 45° közötti szögben van beállítva.

1. Húzza ki a rögzítőcsapot, és emelje fel a fűrészfejet teljes magasságába.
2. Lazítsa meg a gérvágóasztal rögzítő fogantyúját.
3. Forgassa el a gérvágó táblázatot, amíg a mutató egy vonalba nem kerül a gérvágó skálán a nullával.
4. Zárja le a gérvágó asztalt a gérvágóasztal rögzítógombjának az óramutató járásával megegyező irányba történő elforgatásával.

FIGYELEM

súlyos személyi sérülések elkerülése érdekében vágás előtt mindig nyomja vissza a gérvágóasztal bilincset.

Ennek elmulasztása a gérvágóasztal elmozdulását eredményezheti vágás közben, ami súlyos személyi sérülést okozhat.

5. Lazítsa meg a ferdeszög rögzítő kart, és mozgassa a fűrészfejet balra a kívánt ferdeszögbe.
6. A ferde szögek 0° és 45° között állíthatók be.
7. Igazítsa a jelzőpontot a kívánt szöghez.
8. Miután a fűrészkart a kívánt szögbe állította, szorosan húzza meg a ferde rögzítő kart.
9. Helyezze a munkadarabot laposan a gérvágó asztra úgy, hogy az egyik széle biztonságosan nekifogjon a kerítésnek. Ha a tábla meghajlott, helyezze a domború oldalát a kerítéshez. Ha a deszka homorú élét a kerítéshez helyezi, a deszka a vágás végén ráeshet a pengére, és elakadhat a penge.
10. Hosszú fadarabok vagy öntvények vágásakor támassza meg az állomány túlnyúló végét (végeit) az anyag-támaszokkal.
11. Igazítsa a munkadarab vágási vonalát a fűrészlap éléhez.
12. Egyik kezével erősen fogja meg az állományt, és rögzítse a kerítéshez. Húzza meg a satut a munkadarab rögzítéséhez.

FIGYELEM

A súlyos személyi sérülések elkerülése érdekében tartsa a kezét a kéz nélküli zónán kívül, legalább 75 mm-re a pengétől. Soha ne végezzen szabadkézi vágási műveletet (anélkül, hogy a munkadarabot a kerítéshez tartaná). A penge megragadhatja a munkadarabot, ha az megcsúszik vagy elcsavarodik.

13. A fűrész bekapcsolása előtt végezze el a vágási műveletet szárazon, hogy megbizonyosodjon arról, hogy a vágás során nem történik probléma.
14. Fogja meg erősen a fűrész fogantyúját, majd nyomja meg a ravaszt. Várjon néhány másodpercet, amíg a fűrészlap eléri a maximális sebességet.
15. Nyomja meg a lézer be/ki kapcsolóját a lézer bekapcsolásához.
16. Oldja ki az alsó védőburkolat biztonsági gombját, majd lassan engedje le a pengét a munkadarabba és azon keresztül.
17. Engedje el a ravaszt, és hagyja, hogy a fűrészlap leálljon, mielőtt kiemeli a pengét a munkadarabból.

ÖSSZETETT GÉRVÁGÓ VÁGÁS

Az összetett gérvágás olyan vágás, amelyet egyidejűleg gérszöggel és ferdeszöggel végeznek. Ezt a vágási módot képkéretnek készítésére, szabáslécek készítésére, ferde oldalú dobozok készítésére, valamint bizonyos tetőkeret-vágásokra használják. Az ilyen típusú vágás elvégzéséhez a gérvágó asztalt a megfelelő szögbe kell forgatni, és a fűrészkart a megfelelő ferdeszögbe kell dönteni. A két szögbeállítás kölcsönhatása miatt mindig körültekintően kell eljárni az összetett gérvágó beállításoknál. A gép- és ferdeszögbeállítások beállításai kölcsönösen függenek egymástól. Minden alkalommal, amikor módosítja a gépbeállítást, megváltoztatja a ferde beállítás hatását.

Ezenkívül minden alkalommal, amikor módosítja a ferdeszög beállítását, megváltoztatja a gérbéállítás hatását. A kívánt vágás eléréséhez több beállításra is szükség lehet. Az első szögbeállítást a második szög beállítása után kell ellenőrizni, mivel a második szög beállítása az első érinti.

Miután elérte az adott vágáshoz a két helyes beállítást, mindig bevezessen próbavágást fahulladékban, mielőtt befejezné a jó fát.

1. Húzza ki a rögzítőcsapot, és emelje fel a fűrészfejet teljes magasságába.
2. Lazítsa meg a gérvágóasztal rögzítő gombját.
3. Forgassa el a gérvágó asztalt, amíg a mutató a kívánt szögbe nem kerül a gérvágó skálán.
4. Húzza meg a gérvágóasztal rögzítő gombját.
5. Lazítsa meg a ferdeszög rögzítő kart, és mozgassa a fűrészkart balra a kívánt ferdeszögbe.
6. A ferde szögek 0° és 45° között állíthatók be.
7. Igazítsa a jelzőpontot a kívánt szöghez.
8. Miután a fűrészkart a kívánt szögbe állította, szorosan húzza meg a ferde rögzítő kart.
9. Helyezze a munkadarabot laposan a gérvágó asztalra úgy, hogy az egyik széle biztonságosan nekifogjon a kerítésnek. Ha a deszka megvetemedett, helyezze a domború oldalát a kerítéshez, ha a deszka homorú élét a kerítéshez helyezi, a tábla a vágás végén ráeshet a pengére, és beszorulhat a penge.
10. Hosszú fadarabok vagy öntvények vágásakor támassza alá az állomány másik végét az anyag támasszokkal.
11. Igazítsa a munkadarab vágási vonalát a fűrészlap éléhez.
12. Egyik kezével erősen fogja meg az állományt, és rögzítse a kerítéshez. Húzza meg a satut a munkadarab rögzítéséhez.
13. A fűrész bekapcsolása előtt végezze el a vágási műveletet szárazon, hogy megbizonyosodjon arról, hogy a vágás során nem történik probléma.
14. Nyomja meg a lézer be/ki kapcsolóját a lézer bekapcsolásához.
15. Fogja meg erősen a fűrész fogantyúját, majd nyomja meg a ravaszt. Várjon néhány másodpercet, amíg a fűrészlap eléri a maximális sebességet.
16. Engedje el a ravaszt, és hagyja, hogy a fűrészlap leálljon, mielőtt kiemeli a pengét a munkadarabból.

Nagyobb munkadarabok vágása csúsztatással

1. Nagyméretű munkadarabok csúsztatással történő vágásakor a munkadarab egyenesen a hátsó kerítéshez kerül, és szilárdan rögzítve van a satuban.
2. Fogja meg erősen a fűrész fogantyúját (4. ábra).
3. Csúsztassa el a vágófejet a hátsó korláttól a legkülső helyzetbe, majd nyomja meg a ravaszt (5. ábra).
4. Lassan engedje le a pengét a munkadarabra és azon keresztül, és nyomja meg a vágófejet, hogy a penge áthaladjon a nagyobb munkadarabon a hátsó kerítés felé (6. ábra).

FIGYELEM

Soha ne fejtsen ki túlzott erőt a fűrész fogantyújára jobbra vagy balra, mert ez rosszul igazítja a fejet és pontatlan vágást eredményez.

LÉZERSUGÁR

A lézersugárból származó fény irányvonalat ad, amely pontosan azt a vonalat mutatja, ahol a pengének az asztalról kell vágnia a munkadarabon. A lézersugár igény szerint bekapcsolható:

Nyomja meg a lézer be/ki kapcsolóját a lézer bekapcsolásához, majd nyomja meg ismét a kapcsolót a lézer kikapcsolásához. A hálózati kábel táplálja a lézert. A lézersugarat az első használat előtt be kell állítani. Állítsa a padot 0°-os szöghelyzetbe. Lazítsa meg kissé a lézerbeállító csavart. Kapcsolja be a lézert, és igazítsa úgy a sugarat, hogy az mutasson. Pontosan a gérvágás-beállító 0°-os szelvényénél.

ALKALMAZÁSOK

A súlyos személyi sérülést okozó véletlen beindítás elkerülése érdekében szerelje össze az összes alkatrészt, és győződjön meg arról, hogy az összes figyelmeztetés: a beállítások befejeződtek, győződjön meg arról, hogy minden rögzítő rögzítve van, mielőtt csatlakoztatja a fűrész az áramforráshoz. A fűrész soha ne csatlakoztassa az áramforráshoz, amikor alkatrészeket szerel össze, beállításkor végez, késekét szerel fel vagy eltávolít, vagy amikor nem használja.

SATURA RÖGZÍTÉS (7. ÁBRA)

A satu rögzítéséhez nyomja be a kerek rögzítőrudat a satu rögzítési nyílásába, és a rögzítéshez forgassa el a hátsó rögzítógombot az áramutató járásával megegyező irányba.

PORZSÁK (8. ÁBRA)

Rögzítse a porzsákat a két fémrugó összenomásával.

LOCK DOWN PIN (9. ÁBRA)

Gépe egy rögzítőcsappal rendelkezik a könnyebb szállítás érdekében. A fej kinyitásához húzza ki a csapot, és húzza a fűrészkart függőleges helyzetbe.

A fűrészfej szállítás közbeni elcsúszásának elkerülése érdekében zárja le a csúszórögzítő gombot az ábra szerint.

0-45°-OS GÉRBEÁLLÍTÁS

A gépe gérvágó 0°-ról 45°-ra vág jobbra és balra is, pozitív ütközőkkel 0, 5, 10, 15, 22,5, 25, 31,35, 40, 45°-nál. Lazítsa meg a gérvágóasztal rögzítő gombját, és állítsa a gérvágó asztalt a kívánt vágási szöget. Húzza meg újra a gérvágóasztal rögzítő gombját, hogy rögzítse az asztalt a helyén.

KERÍTÉS

A csúszó összetett gérvágó fűrész hátsó korlátja biztonságosan tartja a munkadarabot minden vágás során.

ÖNBEHÚZÓDÓ ALSÓ PENGEVÉDŐ

Az alsó pengevédő ütésálló, átlátszó műanyagból készült, amely védelmet nyújt a penge mindkét oldaláról. A fűrész a munkadarabra süllyesztve visszahúzódik a felső fűrészlapvédő fölé.

FIGYELMEZTETÉS

A csúszó keverék gérvágó fűrészre 4 lyukkal rendelkező munkaszaltnak való rögzítéshez. Mindig győződjön meg arról, hogy az összetett gérvágó fűrész biztonságosan fel van szerelve egy munkapadra vagy egy jóváhagyott munkaállványra. Ennek elmulasztása súlyos személyi sérülést okozó balesethez vezethet.

ELEKTROMOS KAPCSOLAT

Láttá, hogy van egy precíziós felépítésű villanymotorja. Csak 240 V AC, 50-60 Hz (normál háztartási áram) tápegységhez kell csatlakoztatni. Ne működtesse ezt a szerszámot egyenárammal (DC). Jelentős feszültségesség teljesítménycsökkenést és a motor túlmelegedését okozza. Ha a szerszám nem működik, ha konnektorhoz van csatlakoztatva, ellenőrizze még egyszer az áramellátást.

FIGYELEM

Bármilyen elektromos szerszám használata esetén idegen tárgyak kerülhetnek a szemébe, ami súlyos szemkárosodást okozhat. Az elektromos kéziszerszám használatának megkezdése előtt mindig viseljen védőszemüveget vagy oldalvédővel ellátott védőszemüveget, és szükség esetén teljes arcvédőt. Javasoljuk a Wide Vision Biztonsági maszkot szemüvegek vagy normál, oldalvédővel ellátott, biztonságos szemüvegek feletti használatra.

FIGYELEM

Ne kísérleje meg módosítani ezt a szerszámot, és ne készítsen olyan tartozékokat, amelyek nem ajánlottak ehhez a szerszámmal. Minden ilyen változtatás vagy módosítás helytelen használatnak minősül, és súlyos személyi sérüléshez vezetett veszélyes állapotot eredményezhet.

BEÁLLÍTÁS

Kombinált gérvágó fűrészét gyárilag nagyon pontos vágásokhoz igazították. Előfordulhat azonban, hogy egyes alkatrészek kicsúsztak a szállítás során. Ezen túlmenően egy idő után a kopás miatt valószínűleg szükség lesz az utánállításra. Fűrész kicsomagolása után ellenőrizze a következő beállításokat, mielőtt elkezdi használni a fűrész. Végezze el a szükséges utánállításokat, és rendszeresen ellenőrizze az alkatrészek beállítását, hogy megbizonyosodjon arról, hogy a fűrész pontosan vág.

FIGYELEM

A súlyos személyi sérülést okozó véletlen indítás elkerülése érdekében szerelje össze a fűrész összes alkatrészét, mielőtt csatlakoztatná az áramforráshoz. A fűrész soha ne csatlakoztassa az áramforráshoz, amikor alkatrészeket szerel össze, beállításokat végez, késeket szerel fel vagy eltávolít, vagy amikor nem használja.

PENGE CSERE VESZÉLY

A fűrész maximális pengekapacitása egy 254 mm x 2,0 mm átmérőjű penge. Soha ne használjon túl vastag pengét ahhoz, hogy a külső fűrészlap alátét az orsó lapjaihoz kapcsolódjon. Távolítsa el az alsó pengekar csavart, és lazítsa meg a pengecsavar fedelén lévő csavart, amíg az alsó fűrészlapvédő szerelvény fel nem emelhető, hogy szabadabbá váljon a pengecsavar.

1. penge forgatása közben nyomja le az orsóröggitő gombot. Az orsóröggités gombja bekapcsolja az orsó reteszelését (10. ábra).
2. Távolítsa el a pengecsavart és a külső pengeperemet, és cserélje ki a pengét. Használjon csavar kulcsot a pengecsavar megmozdításához. Kérjük, vegye figyelembe, hogy ez egy bal oldali szál, ezért lazítsa meg az óramutató járásával megegyező irányba. Helyezze vissza a külső pengeperemet, és rögzítse szorosan a pengecsavart, és helyezze vissza az alsó fűrészlapvédőt (11. ábra).

FIGYELEM

Ha a belső kés alátétet eltávolították, cserélje ki, mielőtt a pengét az orsóra helyezi. Ennek elmulasztása balesetet okozhat, mivel a penge nem húzódik meg megfelelően.

VIGYÁZAT

A pengét mindig úgy szerelje be, hogy a penge fogai lefelé mutassanak.

A PENGE NÉGYSZÖGESÍTÉSE A GÉRSZALTHOZ 0°-BAN

Húzza le teljesen a fűrészkart, és csatlakoztassa a rögzítőcsapot, hogy a fűrészkart szállítási helyzetben tartsa. Oldja ki a ferdeszög-röggitő kart, és állítsa a fűrészlap 0°-os helyzetbe, és rögzítse a ferdeszög-röggitő kart (12. ábra).

Helyezze a beállított négyzetet a gérvágó asztra és a pengéhez. Ha a fűrészlap és a gérvágó asztal nem illeszkedik egymáshoz, állítsa be az alábbiak szerint (13. ábra).

1. Csavarja ki a 0°-os ferde helyzetbeállító csavart a jobb oldalon az ábra szerint (14. ábra).
2. Állítsa be megfelelően a kést és a gérvágó asztra beállított négyzet segítségével, és rögzítse a ferde rögzítő kart.
3. Mozgassa a fűrészkart, amíg a mutató le nem süllyed a 0°-os ferde helyzetbe, és húzza meg a 0°-os ferde helyzetbeállító csavart. Ellenőrizze a 0°-os szöget az asztal és a penge közötti 90°-os négyzet segítségével. Ha az asztal és a penge nem illeszkedik, állítsa be újra a 0°-os ferdeszögű pozicionáló csavart, amíg egy vonalba nem kerül, majd állítsa a mutatót 0°-ra, és rögzítse a mutatócsavar meghúzásával (15. ábra).

A PENGÉT 45°-BAN A GÉRSZALTHOZ IGAZÍTSA

1. Mozgassa a fűrészkart 45°-os ferde helyzetbe (16. ábra).
2. Ha a fűrészkar nem éri el a teljes 45°-os pozíciót, a 45°-os ferde helyzetbeállító csavart vissza kell állítani (17. ábra).
3. Amikor a fűrészkart 45°-os ferde helyzetben elmozdítja, ellenőrizze a 45°-os szöget egy

- 45°-os beállított négyzet segítségével az asztaltól a fűrészlapig. Ha az asztal és a penge nem illeszkedik, állítsa be újra a
- 45°-os pozicionáló csavar, amíg be nem állítja. Állítsa ismét a mutatót a 45°-os jelzésre, és rögzítse a mutatócsavar meghúzásával.

VÁGÁSMÉLYSÉG BEÁLLÍTÁSA

- Húzza ki a tápkábelt.
- A vágási mélység beállításához csavarkulcsot vagy állítható csavarkulcsot kell alkalmazni a hatlapfejű anya meglazításához.
- Használjon imbuszkulcsot a vágásmélységet beállító csavar beállításához. A fűrészlap leengedhető a csavar óramutató járásával ellentétes irányba forgatásával, és felemelhető a csavar óramutató járásával megegyező irányba forgatásával.
- Engedje le a pengét a gérvágóasztal torklemezébe, majd ellenőrizze a fűrészlap hégagát és a maximális vágási távolságot (amely a kerítéstől mért távolság, ahol a penge belép) a gérvágóasztal nyílásai.
- Szükség esetén állítsa be.
- Húzza meg a hatlapú anyát.
- vágásmélységet beállító csavar elfordulásának elkerülése érdekében a hatlapfejű anya meghúzása közben óvatosan fogja meg a hatlapfejű kulccsal a hatlapú anya meghúzásakor (18. ábra).

BE- ÉS KIKAPCSOLÁS (19.1. ÁBRA, 19.2. ÁBRA)

- A fűrész bekapcsolásához nyomja meg és tartsa lenyomva a be-/kikapcsoló kapcsolót.
- A fűrész kikapcsolásához engedje el a be-/kikapcsoló kapcsolót.

BE- ÉS KIKAPCSOLÁS

- Csavarhúzóval lazítsa meg és távolítsa el a pengecsavar fedelét rögzítő csavart (20. ábra).
- Húzza le a forgó fűrészlapvédőt, majd hajtja fel a pengecsavar fedelével együtt. Ha a forgó fűrészlapvédő a felső rögzített fűrészlapvédő fölé van helyezve, hozzá lehet félni a pengecsavarhoz (21. ábra).
- Tartsa felfelé a forgó védőburkolatot, és nyomja meg az orsórögzítő gombot. Forgassa el a pengét, amíg az orsó nem reteszelődik (22. ábra).
- A mellékelt imbuszkulcs segítségével lazítsa meg és távolítsa el a pengecsavart. (Lazítsa meg az óramutató járásával megegyező irányban, mivel a pengecsavar balmenetes) (23. ábra).
- Engedje le a fűrészlapvédőt, tartsa a helyén a forgó alsó fűrészlapvédőt és a pengecsavar fedelét, és húzza meg a rögzítőcsavart (24. ábra).

SZERSZÁM KARBANTARTÁSA

- A gépen végzett bármilyen munka előtt húzza ki a hálózati csatlakozót, vagy vegye ki az akkumulátort
- Használjon tiszta rongyot és enyhé szappant a szennyeződések, por stb. eltávolításához.

- Soha ne használjon benzint, benzint, hígítót, alkoholt vagy hasonlókat a szerszámok tisztításához, ellenkező esetben a szerszámok elszíneződhetnek, deformálódhatnak vagy megrepedhetnek.
- Tartsa tisztán a szellőzőnyílásokat. Tisztítsa meg a szerszám minden részét, és rendszeresen tisztítsa meg a port, hogy megakadályozza a törmelék bejutását.
- Minden szervizt csak a hivatalos szervizközpontnak KELL elvégeznie.

FIGYELEM

Ne engedje, hogy a víz bejusson a motorba és a szerszámba teljesen belemerüljön az edénybe, mert ez a motor meghibásodásához és áramütéshez vezethet.

FIGYELEM

Ne engedje, hogy a víz bejusson a motorba és a szerszámba teljesen belemerüljön az edénybe, mert ez a motor meghibásodásához és áramütéshez vezethet.

KÖRNYEZETVÉDELLEM

Hasznosítsa újra a nyersanyagokat helyett, hogy hulladékként dobna el. A gépet, a tartozékokat és a csomagolást szét kell válogatni a környezetbarát újrahasznosítás érdekében. A műanyag alkatrészek kategorizált újrahasznosítás céljából vannak felcímkézve.

GARANCIA

Erre a termékre a törvényi/országspecifikus előírásoknak megfelelő garanciát vállalunk, amely az első felhasználó általi vásárlás napjától érvényes. A normál kopásból, túlterhelésből vagy szakszerűtlen kezelésemből eredő károk nem tartoznak a garancia hatálya alá. Reklamáció esetén kérjük, küldje el a gépet teljesen összeszerelve a kereskedőhöz vagy az elektromos szerszámok szervizközpontjához.

LIETUVIŲ K.

BENDROSIOS SAUGOS TAISYKLĖS

ĮSPĖJIMAI! Perskaitykite visas instrukcijas. Jei nesi-laikysite visų toliau išvardytų instrukcijų, galite gauti elektros smūgį, gaisrą ir (arba) rimtus sužalojimus.

ĮŠSAUGOTI ŠIAS INSTRUKCIJAS

Šąvoka „elektrinis įrankis“ visuose toliau išvardytuose įspėjimuose reiškia jūsų elektros tinklo (laidinį) elektrinį įrankį arba akumuliatorinį (belaidį) elektrinį įrankį.

DARBO VIETA

1. Laikykitės darbo vietą švarią ir gerai apšviestą. Netvarkingos ir tamsios darbo vietos sukelia nelaimingus atsitikimus.
2. Nenaudokite elektrinių įrankių sprogoje aplinkoje, pvz., ten, kur yra degių skysčių, dujų ar dulkių. Elektriniai įrankiai sukuria kibirkštis, kurios gali uždegti dulkes arba dūmus.
3. Dirbdami su elektriniu įrankiu saugokite vaikus ir pašalinius asmenis. Dėl išsiblaškymo galite prarasti kontrolę.

ELEKTROS SAUGA

1. Elektrinio įrankio kištukai turi atitikti lizdą. Niekada jokiū būdu nemodifikuokite kištuko. Nenaudokite adapterių kištukų su žemintais (žemintais) elektriniais įrankiais. Nepakeisti kištukai ir atitinkami lizdai sumažins elektros smūgio riziką.
2. Venkite kūno kontakto su žemintais paviršiais, tokiais kaip vamzdžiai, radiatoriai ir šaldytuvai. Jei jūsų kūnas yra žemintas arba žemintas, padidėja elektros smūgio rizika.
3. Saugokite elektrinius įrankius nuo lietaus ar drėgnų sąlygų. Į elektrinį įrankį patekęs vanduo padidins elektros smūgio riziką.
4. Nepiktinaudžiaukite laidu. Niekada nenaudokite laido elektrinio įrankio nešimui, traukimui ar atjungimui.
5. Laikykitės laidą toliau nuo karštos alyvos, aštrių briaunų ar judančių dalių. Pažeisti arba įspainioję laidai padidina elektros smūgio riziką. Kai naudojate elektrinį įrankį lauke, naudokite ilginamąjį laidą, tinkamą naudoti lauke. Naudojant lauke tinkamą laidą sumažėja elektros smūgio rizika.

ASMENINIS SAUGUMAS

1. Būkite budrus, stebėkite, ką darote, ir vadovaukitės sveiku protu, kai naudojate elektrinį įrankį. Nenaudokite elektrinio įrankio, kai esate pavargę arba apsvaigę nuo narkotikų, alkoholio ar vaistų. Akimirka neatidumas dirbant su elektriniu įrankiu gali rimtai sužaloti.
2. Naudokite saugos įrangą. Visada dėvėkite akių apsaugą. Tinkamomis sąlygomis naudojama saugos įrangą, pvz., dulkių kaukė, neslystantys apsauginiai batai, skrybėlė arba klausos apsauga, sumažins sužalojimų skaičių.
3. Venkite staigaus paleidimo. Prieš prijungdami, įsitinkinkite, kad jungiklis yra išjungtoje padė-

tyje. Kai pirštas ant jungiklio arba prijungiate elektrinius įrankius su įjungtu jungikliu, įvyksta nelaimingas atsitikimas.

4. Prieš įjungdami elektrinį įrankį, išimkite bet kokį reguliavimo raktą arba veržliaraktį. Veržliaraktis arba raktas, paliktas prie besisukančios elektrinio įrankio dalies, gali sužaloti.
5. Neperсистенkite. Visada stovėkite ant kojų ir laikykitės pusiausvyrą. Tai leidžia geriau valdyti elektrinį įrankį netikėtose situacijose.
6. Apsirenkite tinkamai. Nedėvėkite laisvų drabužių ar papuošalų. Plaukus, drabužius ir pirštines laikykitės toliau nuo judančių dalių. Laisvi drabužiai, papuošalai ar ilgi plaukai gali įstrigti judančiose dalyse.
7. Jei yra prietaisai, skirti prijungti dulkių nusiurbimo ir surinkimo įrenginius, įsitinkinkite, kad jie prijungti ir tinkamai naudojami. Naudojami šiuos prietaisus galite sumažinti su dulkėmis susijusį pavojų.

ELEKTRINIO ĮRANKIO NAUDOJIMAS IR PRIEŽIŪRA

1. Nespauskite elektrinio įrankio jėga. Naudokite savo reikmėms tinkamą elektrinį įrankį. Tinkamas elektrinis įrankis atliks darbą geriau ir saugiau tokiu greičiu, kuriam jis buvo sukurtas.
2. Nenaudokite elektrinio įrankio, jei jungiklis jo neįjungia ir neišjungia. Bet koks elektrinis įrankis, kurio negalima valdyti jungikliu, yra pavojingas ir turi būti suremontuotas.
3. Prieš atlikdami bet kokius reguliavimus, keisdami priedus ar laikydami elektrinius įrankius, ištraukite kištuką iš maitinimo šaltinio. Tokios prevencinės saugos priemonės sumažina elektrinio įrankio netyčinio įjungimo riziką.
4. Nenaudokimas elektrinius įrankius laikykitės vaikams nepasiekiamoje vietoje ir neleiskite su elektriniu įrankiu arba šiomis instrukcijomis nesusipažinusiems asmenims naudotis elektriniu įrankiu. Elektriniai įrankiai yra pavojingi neapmokytų naudotojų rankose.
5. Prižiūrėkite elektrinius įrankius. Patikrinkite, ar judančios dalys nesutvirtintos arba nesusirišusios, ar dalys nesulūžusios ir ar nėra kitų sąlygų, kurios gali turėti įtakos elektrinio įrankio veikimui. Jei elektrinis įrankis pažeistas, prieš naudodami jį suremontuokite. Daug nelaimingų atsitikimų įvyksta dėl prastai prižiūrimų elektrinių įrankių.
6. Pjovimo įrankius laikykitės aštrius ir švarius. Tinkamai prižiūrimi pjovimo įrankiai su aštriomis pjovimo briaunomis rečiau įspainioja ir yra lengviau valdomi.
7. Elektrinį įrankį, priedus, įrankių antgalis ir tt naudokite pagal šias instrukcijas ir taip, kaip numatyta konkreto tipo elektriniam įrankiui, atsižvelgdami į darbo sąlygas ir atliekamą darbą. Naudojant elektrinį įrankį kitokiems nei numatyta darbams, gali susidaryti pavojinga situacija.

SAUGOS INSTRUKCIJOS, KURIOSE SKIRTI- NĖS PJKLĖS

Naudodami šį įrankį turite žinoti apie saugą ir jo laikytis, kad išvengtumėte įrangos, kuri gali sukelti gaisrą, trumpąjį jungimą ir nelaimingų atsitikimų naudotojams, pavojaus. Naudotojų saugumo sumetimais prieš naudodami įrenginį atidžiai perskaitykite vadovą.

APSAUGUS LAIKYTI VIETOJE IR VEIKIAME ĮSAKYMAS

Niekada neatidarykite pleišto ir nepririškite apatinės ašmenų apsaugos. Prieš kiekvieną naudojimą patikrinkite apatinės ašmenų apsaugos veikimą. Nedirbkite, jei apatinė disko apsauga greitai neuždaro virš pjūklo disko.

NAUDOJIMO LAUKE ILGTINIMO LAIDAI

Jei įrankis naudojamas lauke, naudokite tik tuos ilginamuosius laidus, skirtus naudoti lauke ir taip pažymėtus.

LAIKYKITE AŠTELIUS ŠVIUS IR AŠTRIOUS

Aštrūs peiliai sumažina užstrigimą ir atatrąną.

LAIKYKITE RANKAS TOLIAI FORMOS PJOVIMO ZONA

Laikykite rankas toliau nuo ašmenų. Nesikišti į apačią, kol ašmenys sukasi. Nebandykite pašalinti nupjautos medžiagos, kai ašmenys juda.

ĮSPĖJIMAS

Išjungus ašmenis rieda.

PERIODIKAI TIKRINTI ĮRANKIŲ VIRVELES

Jei sugadintas, pataisykite jį įgaliojame techninės priežiūros centre. Nuolat stebėkite laido vietą ir laikykite jį atokiai nuo besisukančių ašmenų.

NAUDOKITE PRAŠYMO ATVOKLĄ

Plyšdami visada naudokite tvorą arba tiesios briaunos kreiptuvą.

PRIEŠ PJOVIMAS

Įsitikinkite, kad gylis, nuožulnumas ir kampo reguliavimas yra griežtas.

NAUDOKITE TINKAMUS PELIUS

Nenaudokite peilių su netinkamo dydžio skylėmis. Niekada nenaudokite sugedusių arba netinkamų ašmenų poveržlių ar varžtų. Didžiausia jūsų pjūklo ašmenų talpa yra 254 mm.

VENGTI NAGŲ PIRPOTI

Prieš pjaustydami apžiūrėkite ir nuimkite visas vinius nuo medienos.

NIEKADA

Naudodami palieskite peilį arba judančias dalis.

NIEKADA

Įjunkite pjūklą, kai ašmenys liečiasi su ruošiniu.

LAZERIO ŠVIESA. LAZERINIS SPINDULIAVIMAS

Nežiūrėkite į spindulį. Lazerio spindulį įjunkite tik tada, kai įrankis yra ant ruošinio.

PRODUKTO SPECIFIKACIJOS

PASKIRTIS

Medienos ir plastiko skersinis pjovimas Skersinio pjovimo briaunelės, jungtys ir kt., skirtos paveikslų rėmams, bagetams, durų korpusams ir dailių stalių dirbiniams. Aliuminį peiliuką naudokite tik aliuminio pjovimui.

PASTABA

Pateiktas skersinio pjovimo diskas skirtas daugeliui medienos pjovimo operacijų.

TECHNINIAI DUOMENYS

Straipsnio numeris		46 041
Model		
SCMS 210 PLUS		
Nominali įtampa	V	220-240
Dažnis	Hz	50/60
Įėjimo galia	W	1.450
Nėra apkrovos greičio	min ⁻¹	5.000
Ašmenų dydis	mm	210x1,8
Maksimali pjovimo galia 0° /90°	mm	62x310
Maksimali pjovimo galia 0° /45°	mm	34x310
Maksimali pjovimo galia 45° / 90°	mm	62x215
Maksimali pjovimo galia 45° / 45°	mm	34x215
Svoris	kg	11,0

Garso emisijos vertės nustatytos pagal EN 62841-1, EN 62841-3-9

Paprastai gaminio A svertinis triukšmo lygis yra:

Garso slėgio lygis	dB(A)	70
Garso galios lygis	dB(A)	80
Neaiškumas K	dB	3

Bendros vibracijos vertės ah (triasių vektorių suma) ir neapibrėžtis K, nustatytos pagal EN 62841-1, EN 62841-3-9

Maksimalus vibracijos lygis:

a _h	m/s ²	2,5
K	m/s ²	1,5

IDENTIFIKACIJA (1 PAV.)

1. ON/OFF jungiklis
2. Lazeris
3. Ašmenų apsauga
4. Saugos jungiklis
5. Miterio reguliavimo rankena
6. Miterio stalas
7. Gnybtų surinkimas
8. Spygliuočių užraktas
9. Dulkių maišelis
10. Kasimo gylio reguliavimo varžtas
11. Tvorą
12. Mitrinė skalė

13. Stalo įdėklas (plyšimo plokštė)
14. Kampinis užraktas
15. Viršutinė fiksuota asmenų apsauga
16. Nešiojimo rankena
17. Dulkių ištraukimo anga

OPERACIJA

ISPĖJIMAS

Prieš pradėdami bet kokias pjovimo operacijas, savo sudėtinį kampinį pjūklą priveržkite prie darbatalio. Niekada nedirbkite su kampiniu pjūkle ant grindų arba susikūprę. Jei nepaisysite šio įspėjimo, galite rimtai sužaloti.

ISPĖJIMAS

Naudokite veržlę, kad apsaugotumėte savo ruošinį, kad vienoje asmenų pusėje liktų laisvai, kad ašmenys neprisirūstų prie ruošinio. Dėl ruošinio surišimo peilio variklis užges ir atitranka. Tokia situacija gali sukelti nelaimingą atsitikimą, dėl kurio gali būti sunkiai sužaloti.

SKERSINIS

Skersinis pjūvis atliekamas pjaunant skersai ruošinio grūdėlių. 90° skersinis pjūvis atliekamas, kai kampinis stalas yra nustatytas nulinėje padėtyje. Skersiniai pjūviai atliekami, kai kampinis stalas yra nustatytas kitu kampu nei nulis.

1. Ištraukite fiksavimo kaištį ir pakelkite pjovimo galvutę iki viso aukščio.
2. Atrakinkite kampinį stalą.
3. Pasukite įstrižainės lentelę, kol rodyklė susilygiuos su norimu kampu įstrižainės skalėje.
4. Užfiksuokite kampinio stalo užrakto rankenėlę.

PASTABA

Skalėje galite greitai rasti 0, 5, 10, 15, 22,5, 25, 31,35, 40, 45° į kairę arba į dešinę.

5. Įstrižinį stalą galima įstatyti į vieną iš teigiamų stabdymo griovelių, esančių kampinio stalo rėme. Padėkite ruošinį lygiai ant įstrižainės stalo taip, kad vienas kraštas tvirtai atsiremtų į tvorą. Jei įgaubtas lentos kraštas yra pritvirtintas prie tvoros, pjovimo pabaigoje lenta gali užgrįūti ant peilio ir užstrigti ašmenys.
6. Pjaudami ilgus medienos gabalus ar liejinius, medžiaginėmis atramomis paremkite priešingą atramos galą.
7. Sulygiuokite ruošinio pjovimo liniją su pjūklo asmenų kraštu.
8. Naudodami veržlę pritvirtinkite ruošinį (2.1 pav., 2.2 pav.).

ISPĖJIMAS

Kad išvengtumėte rimtų sužalojimų, rankas laikykite už rankos neleistinos zonos; mažiausiai 75 mm atstumu nuo asmenų. Niekada neatlikite jokių pjovimo operacijų laisva ranka (nelaikydami ruošinio į atitvarą). Ašmenys gali sugriebti ruošinį, jei jis paslys ar pasisuktų.

9. Prieš įjungdami pjūklą, atlikite sausą pjovimo operaciją, kad įsitikintumėte, jog pjaunant ne-

kils problemų.

10. Tvirtai suimkite už pjūklo rankenos, nuspaukite gaiduką. Palaukite kelias sekundes, kol ašmenys pasieks maksimalų greitį.
11. Paspauskite lazerio įjungimo/išjungimo jungiklį, kad įjungtumėte lazerį.
12. Paspauskite apatinės apsaugos atleidimo svirtį, tada lėtai nuleiskite ašmenis į ruošinį ir per jį.
13. Prieš iškeldami diską iš ruošinio, atleiskite gaiduką ir leiskite pjūklo geležtei nustoti sukintis.

NUGIRTIMAS (3 PAV.)

Nuožulnus pjovimas atliekamas perpjauant ruošinio grūdėlius, kai ašmenys yra kampu į tvorą ir įpjovos stalą. Nuožulnus pjovimas atliekamas, kai kampinis stalas yra nustatytas nulinėje padėtyje, o ašmenys - nuo 0° iki 45° kampu.

1. Ištraukite fiksavimo kaištį ir pakelkite pjovimo galvutę iki viso aukščio.
2. Atlaisvinkite kampinio stalo fiksavimo rankenėlę.
3. Pasukite įstrižainės lentelę tol, kol rodyklė susilygins su nulių kampo skalėje.
4. Užfiksuokite įstrižinį stalą sukdam kampinio stalo fiksavimo rankenėlę pagal laikrodžio rodyklę.

ISPĖJIMAS

Kad išvengtumėte rimtų sužalojimų, prieš pjaudami visada nuspaukite kampinio stalo spaustuką. Jei to nepadarysite, pjovimo stalas gali pajudėti ir sukelti rimtų sužalojimų.

5. Atlaisvinkite kampo fiksavimo svirtį ir pastumkite pjovimo galvutę į kairę iki norimo kampo.
6. Nuožulnius kampus galima nustatyti nuo 0° iki 45°.
7. Sulygiuokite indikatorius tašką norimu kampu.
8. Kai pjūklo svirtis bus nustatyta norimu kampu, tvirtai priveržkite kampo fiksavimo svirtį.
9. Padėkite ruošinį ant kampinio stalo taip, kad vienas kraštas tvirtai atsiremtų į tvorą. Jei lenta yra iškrypusi, išgaubtą pusę pridėkite prie tvoros. Jei įgaubtas lentos kraštas yra priglundęs prie tvoros, pjovimo pabaigoje lenta gali nukristi ant asmenų ir užstrigti ašmenys.
10. Pjaudami ilgus medienos gabalus ar liejinius, išlindusį (-ius) atramos galą (-us) paremkite medžiaginėmis atramomis.
11. Sulygiuokite ruošinio pjovimo liniją su pjūklo asmenų kraštu.
12. Viena ranka tvirtai suimkite atsargas ir pritvirtinkite prie tvoros. Priveržkite veržlę, kad pritvirtintumėte ruošinį.

ISPĖJIMAS

Kad išvengtumėte rimtų sužalojimų, laikykite rankas už rankų nenaudojamos zonos; mažiausiai 75 mm atstumu nuo asmenų. Niekada neatlikite jokių pjovimo operacijų laisva ranka (nelaikydami ruošinio į atitvarą). Ašmenys gali sugriebti ruošinį, jei jis paslys ar pasisuktų.

13. Prieš įjungdami pjūklą, atlikite sausą pjovimo

operaciją, kad įsitikintumėte, jog pjaunant nekilis problemų.

14. Tvirtai suimkite už pjūklo rankenos, tada nuspauskite gaiduką. Palaukite kelias sekundes, kol ašmenys pasiekis maksimalų greitį.
15. Paspauskite lazerio įjungimo/išjungimo jungiklį, kad įjungtumėte lazerį.
16. Atrakinkite apatinės apsaugos fiksavimo rankenėlę ir lėtai nuleiskite ašmenis į ruošinį ir per jį.
17. Prieš pakeldami diską iš ruošinio, atleiskite gaiduką ir leiskite pjūklo geležtei nustoti sukstis.

SUDĖTINIS KAMPINIS PJŪVIS

Sudėtinis įstrižinis pjūvis yra pjovimas, atliekamas naudojant įstrižinį kampą ir nuožulnų kampą tuo pačiu metu. Šis pjūvio tipas naudojamas paveikslų rėmams, liejiniams pjaustyti, dėžėms nuožulniais šonais ir tam tikriems stogo karkasų pjovimams. Norint atlikti tokio tipo pjovimą, kampinis stalas turi būti pasuktas tinkamu kampu, o pjūklo svirtis turi būti pakreipta į reikiamą nuožulnų kampą. Dėl dviejų kampų nustatymų sąveikos visada reikia būti atsargiems, kai nustatomi sudėtiniai kampų nustatymai. Įstrižainės ir nuožulnumo nustatymų reguliavimas yra vienas nuo kito priklausomas. Kiekvieną kartą reguliuodami kampo nuostatą, keičiate nuožulnios nuolydžio nustatymo efektą.

Be to, kiekvieną kartą koreguodami nuožulnios nuolydžio nuostatą, keičiate kampo nustatymo efektą. Norint pasiekti norimą pjūvį, gali prireikti kelių nustatymų. Pirmąjį kampo nustatymą reikia patikrinti po antrojo kampo nustatymo, nes antrojo kampo reguliavimas paveikia pirmąjį.

Kai nustatomi du tam tikro pjovimo teisingi nustatymai, visada atlikite bandomąjį pjūvį medienos lauzė prieš baigdami pjaunant gerą medieną.

1. Ištraukite fiksavimo kaištį ir pakelkite pjovimo galvutę iki viso aukščio.
2. Atlaisvinkite kampinio stalo fiksavimo rankenėlę.
3. Pasukite įstrižainės lentelę, kol rodyklė susilygiuos su norimu kampu įstrižainės skalėje.
4. Priveržkite kampinio stalo fiksavimo rankenėlę.
5. Atlaisvinkite nuožulnumo fiksavimo svirtį ir perkeltite pjūklo svirtį į kairę iki norimo kampo.
6. Nuožulnios kampus galima nustatyti nuo 0° iki 45°.
7. Sulygiuokite indikatorius tašką norimu kampu.
8. Kai pjūklo svirtis bus nustatyta norimu kampu, tvirtai priveržkite kampo fiksavimo svirtį.
9. Padėkite ruošinį ant kampinio stalo taip, kad vienas kraštas tvirtai atsiremų į tvorą. Jei lenta yra iškreipta, išgaubtą pusę pridėkite prie tvoros, jei įgaubtas lentos kraštas yra prie tvoros, pjovimo pabaigoje lenta gali užgrūsti ant ašmenų ir užstrigti ašmenys.
10. Pjaudami ilgus medienos gabalus ar liejinius, medžiaginėmis atramomis paremkite priešingą atramos galą.
11. Sulygiuokite pjovimo liniją ant ruošinio su pjūklo ašmenų kraštu.
12. Viena ranka tvirtai suimkite atsargas ir pritvirtinkite prie tvoros. Priveržkite veržlę, kad pritvirtintumėte ruošinį.
13. Prieš įjungdami pjūklą, atlikite sausą pjovimo

operaciją, kad įsitikintumėte, jog pjaunant nekilis problemų.

14. Paspauskite lazerio įjungimo/išjungimo jungiklį, kad įjungtumėte lazerį.
15. Tvirtai suimkite už pjūklo rankenos ir tada nuspauskite gaiduką. Palaukite kelias sekundes, kol ašmenys pasiekis maksimalų greitį.
16. Prieš pakeldami diską iš ruošinio, atleiskite gaiduką ir leiskite pjūklo geležtei nustoti sukstis.

Didesnių ruošinių pjovimas slydimu

1. Pjaunant didelius ruošinius slydimu, ruošinys statomas tiesiai prie galinės tvoros ir yra tvirtai užfiksuotas veržlę.
2. Tvirtai suimkite pjūklo rankeną (4 pav.).
3. Nustumkite pjovimo galvutę nuo galinės tvoros į labiausiai išorinę padėtį, tada nuspauskite gaiduką (5 pav.).
4. Lėtai nuleiskite ašmenis į ruošinį ir per jį ir stumkite pjovimo galvutę, kad ašmenys per didesnį ruošinį būtų link galinės tvoros (6 pav.).

ĮSPĖJIMAS

Niekada nenaudokite pernelyg didelės jėgos ant pjūklo rankenos į dešinę arba į kairę, nes tai neteisingai išlygins galvutę ir pjūvis bus netikslus.

LAZERIO SPINDULYS

Lazerio spindulio šviesa rodo gaires, tiksliai nurodant liniją, kurioje ašmenys turi nupjauti ruošinį nuo stalo. Lazerio spindulį galima įjungti pagal poreikį:

Paspauskite lazerio įjungimo/išjungimo jungiklį, kad įjungtumėte lazerį, ir dar kartą paspauskite jungiklį, kad išjungtumėte lazerį. Tinklo kabelis tiekia maitinimą lazeriui. Lazerio spindulys turi būti išlygintas prieš naudojant pirmą kartą. Suoliuką nustatykite į 0° kampą. Šiek tiek atlaisvinkite lazerio išlyginimo varžtą. Įjunkite lazerį ir išlygiuokite spindulį taip, kad jis būtų nukreiptas. Tiksliai ties pjovimo regulatoriaus 0° matuoklio žyma.

PROGRAMOS

Kad išvengtumėte netyčinio užvedimo, kuris gali sukelti rimtų sužalojimų, surinkite visas dalis ir įsitinkinkite, kad visi įspėjimai: reguliavimas baigtas, prieš prijungdami pjūklą prie maitinimo šaltinio įsitinkinkite, kad visos tvirtinimo detalės yra saugios. Pjūklo niekada negalima prijungti prie maitinimo šaltinio, kai surenkate dalis, atliekate reguliavimą, montuojate ar nuimate pelius arba kai jis nenaudojamas.

PRITVIRTINIMO VIETAS (7 PAV.)

Norėdami pritvirtinti spaustuką, įstumkite apvalų tvirtinimo strypą į spaustuko tvirtinimo angą ir pasukite galinę fiksavimo rankenėlę pagal laikrodžio rodyklę, kad užsifikuotumėte.

DULKIŲ MAIŠĖLIS (8 PAV.)

Pritvirtinkite dulkių maišelį kartu spausdami dvi metalines spyruokles.

UŽRAKINTI PIN (9 PAV.)

Jūsų mašina turi fiksavimo kaištį, kad būtų lengviau transportuoti. Norėdami atrakinti galvutę,

ištraukite kaištį ir patraukite pjūklą svirtį į vertikalią padėtį.

Kad transportavimo metu pjūklą galvutė neslystų, užfiksuokite slydimo fiksavimo rankenėlę, kaip parodyta paveikslėlyje.

REGULIAVIMAS 0-45° KAMPU

Jūsų mašinos įstrižainė pjauna nuo 0° iki 45° tiek dešinėje, tiek kairėje, su teigiamais sustojimais ties 0, 5, 10, 15, 22,5, 25, 31,35, 40, 45°. Atsukite įstrižainės stalo fiksavimo rankenėlę ir perkeltkite įpjovos stalą į norimą pjovimo kampą. Dar kartą priveržkite kampinio stalo fiksavimo rankenėlę, kad užfiksuotumėte stalą.

TVORA

Jūsų slydimo sudėtinio kampinio pjūklų galinė apvara buvo skirta tam, kad atliekant visus pjūvius būtų galima saugiai prilaikyti ruošinį.

SAVAIME SUSITRAUKIANTI APATINĖ AŠMENŲ APSAUGA

Apatinė ašmenų apsauga pagaminta iš smūgiams atsparaus, permatomo plastiko, kuris užtikrina apsaugą nuo kiekvienos ašmenų pusės. Kai pjūklas nuleidžiamas į ruošinį, jis atsitraukia virš viršutinės ašmenų apsaugos.

ISPĖJIMAS

Jūsų slydimo mišinio kampinis pjūklas turi 4 skyles, skirtas tvirtinti prie darbatalio. Visada įsitikinkite, kad jūsų sudėtinis kampinis pjūklas yra saugiai pritvirtintas prie darbatalio arba patvirtinto darbo stovo. To nepadarius gali įvykti nelaimingas atsitikimas, sukeldamas rimtus sužalojimus.

ELEKTRINIS SUJUNGIMAS

Matėte, kad turi tiksliai sukonstruotą elektros variklį. Jis turi būti prijungtas tik prie maitinimo šaltinio, kuris yra 240 voltų kintamoji srovė, 50–60 Hz (įprasta buitinė srovė). Nenaudokite šio įrankio nuolatine srove (DC). Didelis įtampas kritimas sukels galios praradimą ir variklis perkais. Jei jūsų įrankis neveikia, kai jis įjungtas į elektros lizdą, dar kartą patikrinkite maitinimo šaltinį.

ISPĖJIMAS

Naudojant bet kokį elektrinį įrankį į akis gali patekti pašaliniai daiktai, o tai gali smarkiai pažeisti akis. Prieš pradėdami dirbti su elektriniu įrankiu, visada dėvėkite apsauginius akinius arba apsauginius akinius su šoniniais skydeliais ir, jei reikia, uždenkite visą veidą. Rekomenduojame naudoti plataus matymo apsauginę kaukę ant akinių arba standartinių saugių akinių su šoniniais skydeliais.

ISPĖJIMAS

Nebandykite keisti šio įrankio ar kurti priedų, kurių nerekomenduojama naudoti su šiuo įrankiu. Bet koks toks pakeitimas ar modifikavimas yra netinkamas naudojimas ir gali sukelti pavojingą būklę, dėl kurios galima rimtai susižaloti.

KOREGAVIMAS

Jūsų sudėtinis kampinis pjūklas gamykloje buvo sureguliuotas taip, kad būtų galima labai tiksliai

pjauti.

Tačiau kai kurie komponentai gabenimo metu galėjo būti nesuderinti.

Be to, ilgainiui dėl susidėvėjimo tikriausiai reikės iš naujo sureguliuoti.

Išpakavę pjūklą, prieš pradėdami naudoti pjūklą patikrinkite šiuos nustatymus. Atlikite visus būtinus pakeitimus ir periodiškai tikrinkite dalių išlygiavimą, kad įsitikintumėte, jog pjūklas pjauna tiksliai.

ISPĖJIMAS

Kad išvengtumėte netyčinio užvedimo, kuris gali rimtai susižaloti, prieš prijungdami prie maitinimo šaltinio, sumontuokite visas pjūklų dalis. Pjūklą niekada negalima prijungti prie maitinimo šaltinio, kai surenkate dalis, atliekate reguliavimą, montuojate ar nuimate ašmenis arba kai jis nenaudojamas.

AŠMENŲ KEITIMAS

PAVOJUS

254 mm x 2,0 mm skersmens diskas yra didžiausia jūsų pjūklų ašmenų talpa. Niekada nenaudokite ašmenų, kurie yra per stori, kad išorinė ašmenų poverzlė susijungtų su veleno plokštumais. Atsukite apatinę ašmenų svirties varžtą ir atlaisvinkite ašmenų varžto dangtelio varžtą, kol bus galima pakelti apatinę ašmenų apsaugos mazgą, kad būtų atskleistas ašmenų varžtas.

1. Sukdami ašmenis paspauskite veleno fiksavimo mygtuką. Suklio fiksavimo mygtukas užfiksuos veleno užraktą (10 pav.).
2. Nuimkite ašmenų varžtą ir išorinį ašmenų flanšą ir pakeiskite ašmenis. Naudokite veržliaraktį, kad atlaisvintumėte ašmenų varžtą. Atkreipkite dėmesį – tai kairysis siūlas, todėl jį atlaisvinkite pagal laikrodžio rodyklę. Vėl pritvirtinkite išorinį ašmenų flanšą ir tvirtai pritvirtinkite ašmenų varžtą ir vėl pritvirtinkite apatinę ašmenų apsaugą (11 pav.).

ISPĖJIMAS

Jei vidinė ašmenų poverzlė buvo pašalinta, pakeiskite ją prieš uždedami ašmenis ant veleno. To nepadarius, gali įvykti nelaimingas atsitikimas, nes ašmenys nebus tinkamai priveržti.

ATSARGIAI

Peilį visada montuokite taip, kad ašmenų dantys būtų nukreipti žemyn.

AŠMENŲ SULENKIMAS | KAMPINĮ STALĄ 0° KAMPU

Patraukite pjūklą svirtį iki galo žemyn ir užfiksuokite fiksavimo kaištį, kad pjūklą svirtis būtų transportavimo padėtyje. Atrakinkite nuožulnų fiksavimo svirtį ir perkeltkite pjūklą svirtį į 0° padėtį ir užfiksuokite nuožulnų fiksavimo svirtį (12 pav.). Padėkite nustatytą kvadratą ant kampinio stalo ir prie ašmenų. Jei ašmenys ir kampinis stalas nesutampa, sureguliuokite taip (13 pav.).

1. Atsukite 0° kampo padėties nustatymo varžtą dešinėje pusėje, kaip parodyta (14 pav.).
2. Teisingai sulygiuokite ašmenis ir kampinį stalą naudodami nustatytą kvadratą ir užfiksuokite nuožulnų fiksavimo svirtį.

3. Perkelkite pjūklą svirtį, kol rodyklė nusileis 0° kampo padėtyje, ir priveržkite 0° kampo padėties nustatymo varžtą. Patikrinkite 0° kampo naudodami 90° kampą nuo stalo iki peilio. Jei stalas ir peilis nesulygiuoja, iš naujo sureguliuokite 0° kampo kampo padėties nustatymo varžtą, kol jis bus sulygiuotas, tada nustatykite rodyklę iki 0° žymės ir pritvirtinkite priverždami rodyklės varžtą (15 pav.).

AŠMENŲ SULENKIMAS | KAMPINĮ STALĄ 45° KAMPU

1. Perkelkite pjūklą svirtį į 45° kampą (16 pav.).
2. Jei pjūklą svirtis negali pasiekti 45° padėties, 45° kampo padėties nustatymo varžtas turės būti nustatytas iš naujo (17 pav.).
3. Kai pjūklą svirtis išstumama 45° kampu, patikrinkite 45° kampą naudodami 45° kampą nuo stalo iki ašmenų. Jei stalas ir peilis nesutampa, iš naujo sureguliuokite
4. 45° padėties nustatymo varžtas, kol bus išlygintas. Vėl nustatykite žymelę iki 45° žymės ir pritvirtinkite priverždami rodyklės varžtą.

PJOVIMO GYLIO REGULIAVIMAS

1. Ištraukite maitinimo laidą.
2. Norint sureguliuoti pjovimo gylį, reikės naudoti veržliaraktį arba reguliuojamą veržliaraktį, kad atlaisvintumėte šešiabriaunę veržlę.
3. Šešiakampiu raktu sureguliuokite pjovimo gylio reguliavimo varžtą. Pjūklą diską galima nuleisti sukant varžtą prieš laikrodžio rodyklę, o pakelti – sukant varžtą pagal laikrodžio rodyklę.
4. Nuleiskite peilį į žvyro stalo gerklės plokštę, tada patikrinkite ašmenų tarpą ir maksimalų pjovimo atstumą (tai yra atstumas, išmatuotas nuo tvoros, į kurią įeina peilis) iki kampo stalo lizdo priekio.
5. Jei reikia, sureguliuokite.
6. Priveržkite šešiabriaunę veržlę.
7. Kad pjovimo gylio reguliavimo varžtas nesisuktų, priverždami šešiabriaunę veržlę, verždami šešiabriaunę veržlę atsgariai laikykite ją šešiabriauniu raktu (18 pav.).

JUNGIMAS IR IŠJUNGIMAS (19.1 PAV., 19.2 PAV.)

1. Norėdami įjungti pjūklą, paspauskite ir palaiykite įjungimo/išjungimo gaiduko jungiklį.
2. Norėdami išjungti pjūklą, atleiskite įjungimo/išjungimo jungiklį.

JUNGIMAS IR IŠJUNGIMAS

1. Atsuktuvu atlaisvinkite ir nuimkite varžtą, kuris tvirtina ašmenų varžto dangtelį (20 pav.).
2. Patraukite besisukančią ašmenų apsaugą žemyn, tada pasukite ją aukštyn kartu su ašmenų varžto dangteliu. Kai besisukanti ašmenų apsauga yra virš viršutinės fiksuotos ašmenų apsaugos, galima pasiekti ašmenų varžtą (21 pav.).
3. Laikykite besisukančią apsaugą aukštyn ir paspauskite veleno fiksavimo mygtuką. Sukite ašmenis, kol velenas užsifiksuos (22 pav.).
4. Naudodami pateiktą šešiabriaunį raktą atlaisvinkite ir nuimkite ašmenų varžtą. (Atsukite

pagal laikrodžio rodyklę, nes ašmenų varžtas turi kairįjį sriegį) (23 pav.).

5. Nuleiskite ašmenų apsaugą, laikykite besisukančią apatinę ašmenų apsaugą ir ašmenų varžto dangtelį ir priveržkite tvirtinimo varžtą (24 pav.).

JRANKIŲ PRIEŽIŪRA

1. Prieš pradėdami dirbti su pačia mašina, ištraukite maitinimo kištuką arba išimkite akumuliatorių
2. Naudodami švarias šluostes ir švelnų muilą pašalinkite nešvarumus, dulkes ir pan.
3. Niekada nenaudokite benzino, benzolo, skiediklio, alkoholio ar panašių įrankių valymui, nes priešingu atveju įrankiai gali pakeisti spalvą, deformuotis arba įtrūkti.
4. Ventilacijos angas laikykite švarias. Nuvalykite visas įrankio dalis, periodiškai valykite dulkes, kad jį nepatektų šiukšlės.
5. Visas techninės priežiūros paslaugas PRIVALO atlikti tik įgaliotasis aptarnavimo centras.

IŠPĖJIMAS

Neleiskite vandeniui patekti į variklį ir įrankį visiškai panardinti į indą, nes tai sukels variklio gedimą ir elektros smūgį.

IŠPĖJIMAS

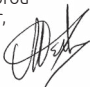

Neleiskite vandeniui patekti į variklį ir įrankį visiškai panardinti į indą, nes tai sukels variklio gedimą ir elektros smūgį.

APLINKOS APSAUGA

Perdirbkite žaliavas, o ne išmeskite kaip atliekas. Mašina, priedai ir pakuotės turi būti rūšiuojamos taip, kad jos būtų perdirbtos nekenksmingos aplinkai. Plastikiniai komponentai yra paženklinti, kad juos būtų galima perdirbti.

GARANTIJA

Šiam gaminiui suteikiama garantija pagal teisinius / konkrečios šalies reglamentus, kurie galioja nuo pirmojo naudotojo įsigijimo datos. Garantija netaikoma žalai, atsiradusioms dėl normalaus nusidėvėjimo, perkrovos ar netinkamo naudojimo. Jei turite pretenzijų, visiškai surinktą mašiną nusiųskite pardavėjui arba elektrinių įrankių aptarnavimo centrui.

EN	EU DECLARATION OF CONFORMITY		We declare under our sole responsibility that the listed products comply with all applicable provisions of the below directives and are also in conformity with the following standards. Production year and serial number are on the product. The relative technical file is at the below address.	
	SLIDING COMPOUND MITRE SAW			
	MODEL	Article number		
FR	DÉCLARATION CE DE CONFORMITÉ		Nous déclarons sous notre propre responsabilité que les produits décrits sont conformes à toutes les dispositions applicables des directives ci-dessous et sont également conformes aux normes suivantes. L'année de production et le numéro de série figurent sur le produit. Le dossier technique correspondant est à l'adresse ci-dessous.	
	SCIE À ONGLETS RADIALE			
	MODÈLE	Numéro de l'article		
IT	DICHIARAZIONE CE DI CONFORMITÀ		Dichiaro sotto la nostra piena responsabilità che i prodotti indicati sono conformi a tutte le disposizioni applicabili delle seguenti direttive e sono inoltre conformi alle seguenti norme. Anno di produzione e numero di serie sono sul prodotto. La relativa scheda tecnica è al seguente indirizzo.	
	TRONCATRICE RADIALE			
	MODELLO	Codice prodotto		
EL	ΔΗΛΩΣΗ ΣΥΜΜΟΡΦΩΣΗΣ ΕΚ		Δηλώνουμε με αποκλειστική μας ευθύνη, ότι τα αναφερόμενα προϊόντα συμμορφώνονται με όλες τις σχετικές διατάξεις των κάτωθι οδηγιών και είναι επίσης σύμφωνα με τα ακόλουθα πρότυπα. Το έτος παραγωγής και ο σειριακός αριθμός αναγράφονται στο προϊόν. Ο τεχνικός φάκελος είναι στην παρακάτω διεύθυνση.	
	ΦΑΛΤΣΟΠΡΙΟΝΟ RADIAL			
	ΜΟΝΤΕΛΟ	Κωδικός προϊόντος		
SR	CE IZJAVA O USAGLAŠENOSTI		Na sopstvenu odgovornost izjavljujemo, da navedeni proizvodi poštuju sve važeće odredbe dole navedenih direktiva i da su takođe u skladu sa sledećim standardima. Proizvodna godina i serijski broj su na proizvodu. Relativna tehnološka datoteka je na donje adrese.	
	TESTERA ZA PANEL RADIAL			
	MODEL	Broj predmeta		
HR	EU IZJAVA O SUKLADNOSTI		Pod punom odgovornošću izjavljujemo da navedeni proizvodi u skladu sa svim primjenjivim odredbama dolje navedenih direktiva, a također su u skladu sa sljedećim standardima. Godina proizvodnje i serijski broj su na proizvodu. Relativna tehnička datoteka nalazi se na donjoj adresi.	
	PILA ZA PANEL PLOCE RADIAL			
	MODEL	Broj artikla		
RO	DECLARAȚIE DE CONFORMITATE UE		Declarăm pe proprie răspundere că produsele menționate respectă toate prevederile aplicabile din directivele de mai jos și sunt, de asemenea, conforme cu următoarele standarde. Anul de producție și numărul de serie sunt pe produs. Fișierul tehnic relativ se află la adresa de mai jos.	
	FERĂSTRĂU CIRCULAR STAȚIONAR RADIAL			
	MODEL	Număr articol		
HU	EU MEGFELELŐSÉGI NYILATKOZAT		Kijelentjük kizárólagos felelősségünkre, hogy a felsorolt termékek megfelelnek az alábbi irányelvek összes vonatkozó rendelkezésének, és megfelelnek a következő szabványoknak is. A gyártási év és a sorozatszám a termékben található. A relatív műszaki fájl az alábbi címen található.	
	KIHÚZHATÓ LÉZERES GÉRVÁGÓ			
	MODELL	Cikk szám		
LT	ES ATITIKTIES DEKLARACIJA		Mes, prisiimdami visą atsakomybę, pareiškiame, kad išvardyti produktai atitinka visas taikomas toliau nurodytų direktyvų nuostatas ir taip pat atitinka šiuos standartus. Gamybės metai ir serijos numeris yra ant gaminio. Santykinis technologinis failas yra žemiau nurodytu adresu.	
	SLENKANTIS KAMPINIS PJUKLAS			
	MODELIS	Straiptinis Numeris		
	SCMS 210 PLUS	46 041	2006/42/EC EN 62841-1:2015+AC:2015 EN 62841-3-9:2015+AC:2016+A11:2017	
Aimilios G. Theodorou Electrical Engineer, Safety Officer  27/9/2022 FF GROUP TOOL INDUSTRIES, 19300 Aspropyrgos-Greece.			FF GROUP TOOL INDUSTRIES 9,5km Attiki Odos, Aspropyrgos 19300, Athens, Greece Tel. +30 210 55 98 400	



FF GROUP TOOL INDUSTRIES



9,5 Km Attiki Odos, Aspropyrgos

19300, Athens, Greece



+30 210 55 98 400



info@ffgroup-toolindustries.com



www.ffgroup-tools.com