

FF GROUP[®]



DPB 16/12 PLUS
DPF 16/12 PLUS

EN

ORIGINAL INSTRUCTIONS

FR

NOTICE ORIGINALE

IT

ISTRUZIONI ORIGINALI

EL

ΠΡΩΤΟΤΥΠΟ ΟΔΗΓΙΩΝ ΧΡΗΣΗΣ

SR

ORIGINALNO UPUTSTVO ZA RAD

HR

ORIGINALNE UPUTE ZA RAD

RO

INSTRUCȚIUNI DE FOLOSIRE ORIGINALE

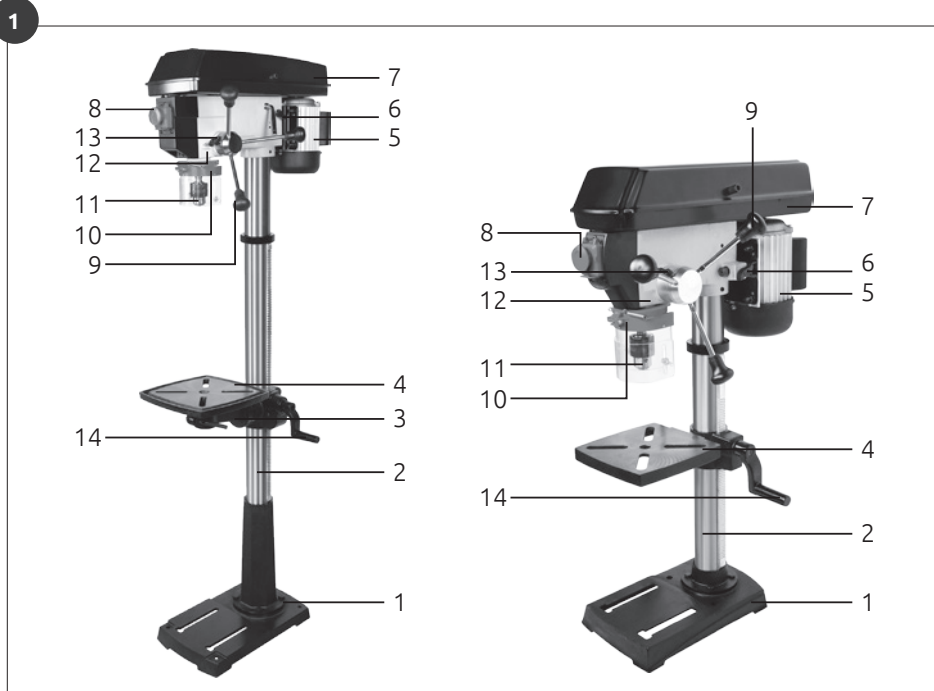
HU

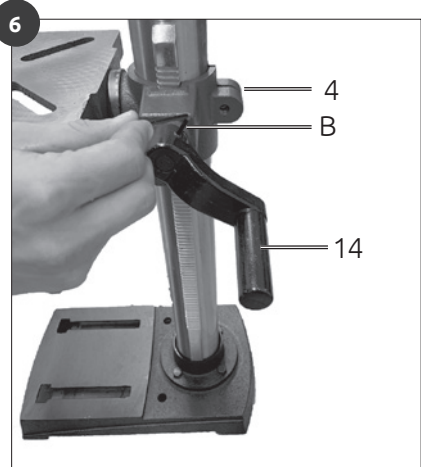
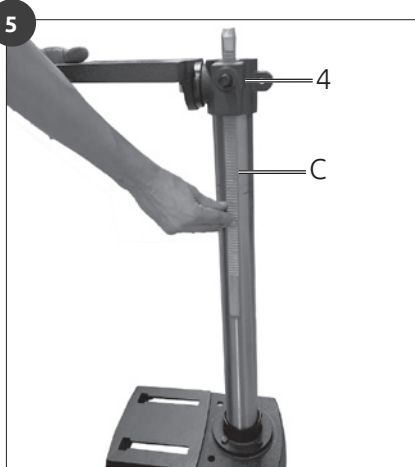
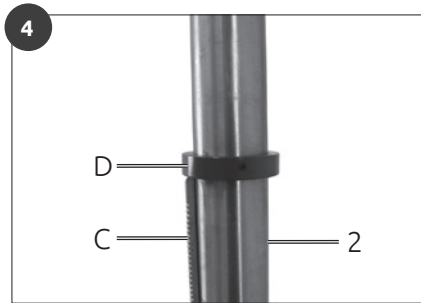
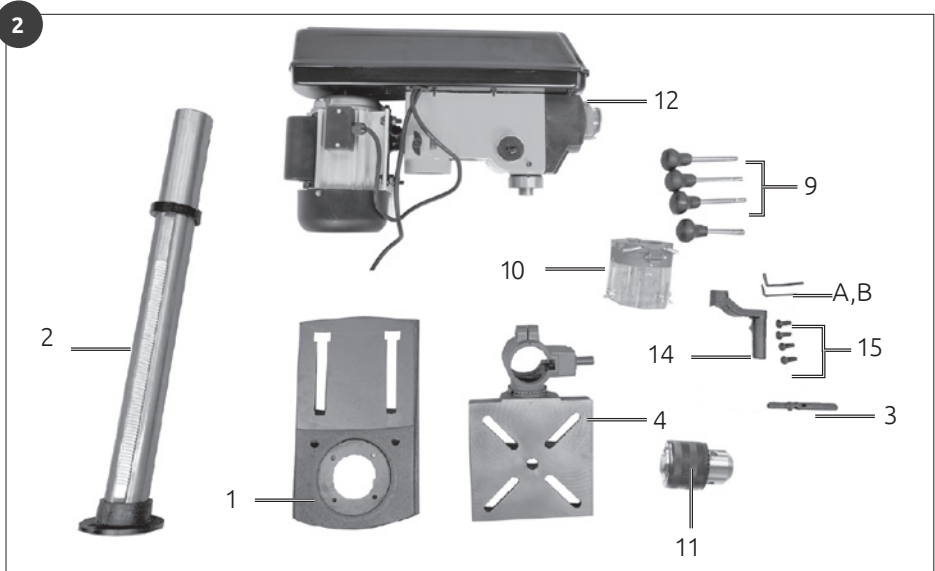
EREDETI UTASÍTÁSOK

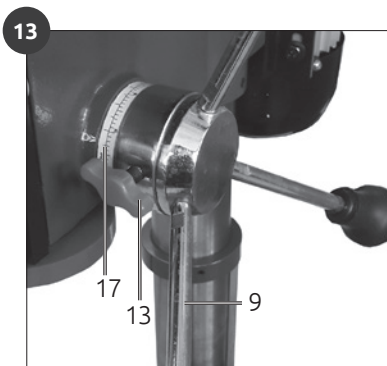
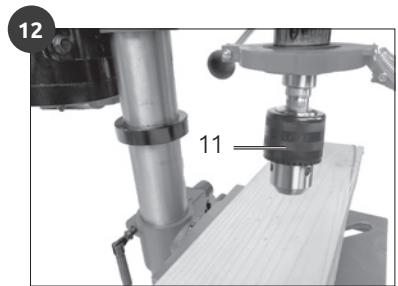
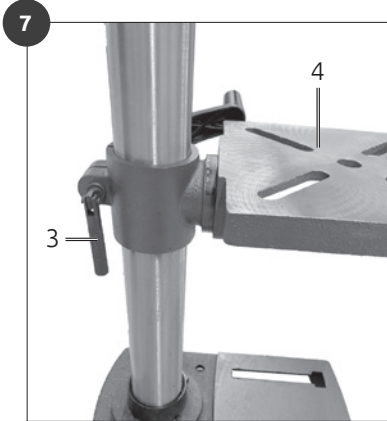
LT

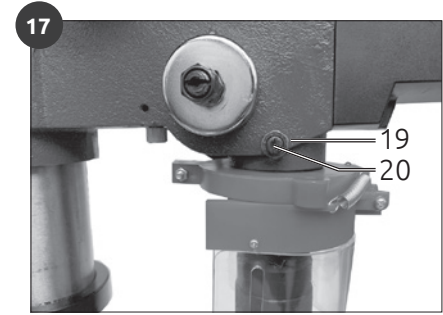
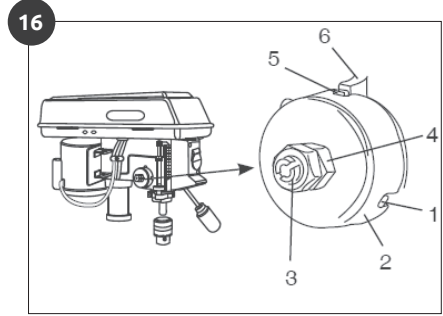
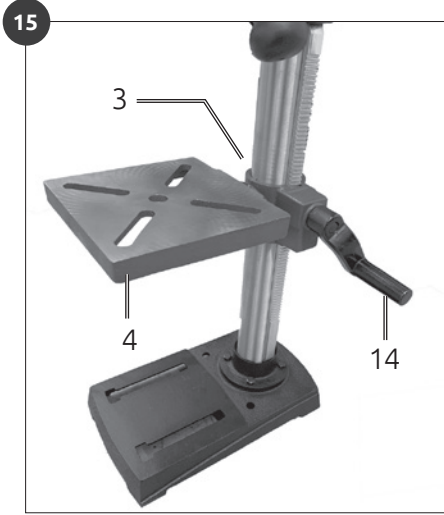
ORIGINALIOS INSTRUKCIJOS

EXPLANATION OF SYMBOLS / EXPLICATION DES SYMBOLES / SPIEGAZIONE DEI SIMBOLI / ΕΠΕΞΗΓΗΣΗ ΣΥΜΒΟΛΩΝ / OBJAŠNJENJE SIMBOLA / OBJAŠNJENJE SIMBOLA / EXPLICAREA SIMBOLURILOR / SZIMBÓLUMOK JELENTÉSE / SIMBOLIŲ PAAIŠKINIMAS		6
EN	BENCH DRILL PRESS FLOOR DRILL PRESS	8
FR	PERCEUSE À COLONNE PERCEUSE À COLONNE D'ÉTABLI	14
IT	TRAPANO A COLONNA TRAPANO A COLONNA	20
EL	ΔΡΑΠΑΝΟ ΚΟΛΩΝΑΤΟ ΠΑΓΚΟΥ ΔΡΑΠΑΝΟ ΚΟΛΩΝΑΤΟ ΔΑΠΕΔΟΥ	27
SR	STUBNA BUŠILICA STUBNA BUŠILICA	34
HR	STUPNA BUŠILICA STUPNA BUŠILICA	40
RO	MAŠINĂ DE GĂURIT TIP COLOANĂ MAŠINĂ DE GĂURIT TIP COLOANĂ	45
HU	ASZTALI OSZLOPOS FÚRÓGÉP OSZLOPOS FÚRÓGÉP	52
LT	STALINĖS GRĘŽIMO STAKLĖS ANTŽEMINĖS GRĘŽIMO STAKLĖS	58
CE		64

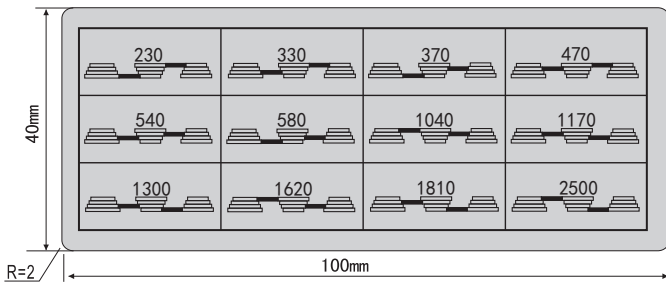




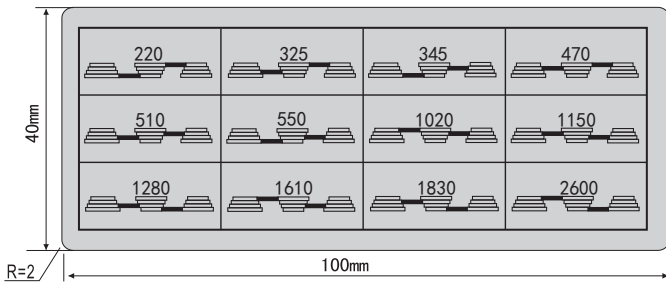













45938



45939



	ENGLISH	FRANÇAIS	ITALIANO	ΕΛΛΗΝΙΚΑ
	EXPLANATION OF SYMBOLS	EXPLICATION DES SYMBOLES	SPIEGAZIONE DEI SIMBOLI	ΕΠΕΞΗΓΗΣΗ ΣΥΜΒΟΛΩΝ
	Always read and understand the instructions before operating	Toujours lire et comprendre les instructions avant d'opérer	Leggere e comprendere sempre le istruzioni prima di operare	Διαβάστε και κατανοήστε τις οδηγίες χρήσης πάντα πριν από τη λειτουργία
	Always wear appropriate eye protection when operating	Portez toujours une protection oculaire appropriée lorsque vous utilisez	Indossare sempre un'adeguata protezione oculare quando si opera	Να χρησιμοποιείτε πάντα κατάλληλη προστασία ματιών κατά τη λειτουργία
	Always wear appropriate protective breathing mask when operating	Portez toujours un masque respiratoire protecteur approprié lors de l'opération	Indossare sempre un'adeguata maschera protettiva durante il funzionamento	Να χρησιμοποιείτε πάντα κατάλληλη μάσκα αναπνοής κατά τη λειτουργία
	Always wear appropriate ear protection when operating	Portez toujours une protection de l'oreille appropriée lors de l'exploitation	Indossare sempre un'adeguata protezione dell'orecchio quando si opera	Να χρησιμοποιείτε πάντα κατάλληλη προστασία αυτιών κατά τη λειτουργία
	Always wear appropriate hand protection when operating	Portez toujours une protection appropriée pour les mains lors de l'exploitation	Indossare sempre la protezione della mano appropriata quando si opera	Να χρησιμοποιείτε πάντα κατάλληλη προστασία χεριών κατά τη λειτουργία
	Never wear accessories or loose clothing and always tie up your hair	Ne portez jamais d'accessoires ou de vêtements amples et attachez toujours vos cheveux	Non indossare mai accessori o abiti larghi e legare sempre i capelli	Ποτέ μην φοράτε αξεσουάρ ή χαλαρές εφαρμογές ρουχισμού και δένετε πάντα τα μαλλιά σας
	Important, danger, warning, or caution	Important, danger ou avertissement	Importante, pericolo o avviso	Σημαντικό, κίνδυνος ή προειδοποίηση
	Must be recycled and should always be disposed in accordance with applicable directives	Doit être recyclé et doit toujours être éliminé conformément aux directives applicables	Deve essere riciclato e deve essere sempre smaltito secondo le direttive applicabili	Πρέπει να ανακυκλώνεται και πρέπει πάντα να απορρίπτεται σύμφωνα με τις ισχύουσες οδηγίες
	Complies with applicable safety directives and relative standards	Conforme aux directives de sécurité applicables et aux normes relatives	Conforme alle direttive di sicurezza applicabili e alle relative norme	Συμμορφώνεται με τις ισχύουσες οδηγίες ασφαλείας και τα σχετικά πρότυπα

SRPSKI	HRVATSKI	ROMÂNĂ	MAGYAR	LIETUVIŲ K.
OBJAŠNJENJE SIMBOLA	OBJAŠNJENJE SIMBOLA	EXPLICAREA SIMBOLURILOR	SZIMBÓLUMOK JELENTÉSE	SIMBOLIŲ PAAIŠKINIMAS
Uvek pročitajte i razumejte uputstva pre rada	Uvijek pročitajte i shvatite upute prije operacije	Citiți și înțelegeți întotdeauna instrucțiunile înainte de a utiliza	Használat előtt mindig olvassa el és értse meg az utasításokat	Prieš pradėdami dirbti, visada perskaitykite ir supraskite instrukcijas
Uvek nosite odgovarajuću zaštitu za oči kada radila	Uvijek nosite odgovarajuću zaštitu očiju kada djelujete	Purtați întotdeauna o protecție adecvată a ochilor atunci când acționați	Munka közben mindig viseljen megfelelő szemvédőt	Dirbdami visada dėvėkite tinkamas akių apsaugos priemonės
Uvek nosite odgovarajuću zaštitnu masku za disanje prilikom rada	Prilikom rada uvijek nosite odgovarajuću zaštitnu masku za disanje	Purtați întotdeauna o mască de respirație de protecție adecvată în timpul	Munka közben mindig viseljen megfelelő légzőmaszkot	Dirbdami visada dėvėkite tinkamą apsauginę kvėpavimo kaukę
Uvek nosite odgovarajuću zaštitu za uši kada radila	Uvijek nosite odgovarajuću zaštitu za uši prilikom rada	Purtați întotdeauna o protecție adecvată a urechii în timpul funcționării	Működés közben mindig viseljen megfelelő fülvédőt	Dirbdami visada dėvėkite tinkamas ausų apsaugos priemonės
Uvek nosite odgovarajuću zaštitu ruku kada radila	Prilikom rada uvijek nosite odgovarajuću zaštitu ruku	Purtați întotdeauna o protecție adecvată a mâinii în timpul funcționării	Munka közben mindig viseljen megfelelő kézvédőt	Dirbdami visada dėvėkite tinkamą rankų apsaugą
Nikada ne nosite pribor ili labavu odeću i uvek vežite kosu	Nikada ne nosite dodatke ili široku odeću i uvijek vežite kosu	Nu purtați niciodată accesorii sau haine largi și legați-vă întotdeauna părul	Soha ne viseljen kiegészítőket vagy bő ruhát, és mindig kösse fel a haját	Niekada nedėvėkite aksesuarų ar laisvų drabužių ir visada suriškite plaukus
Važno, opasnost ili upozorenje	Važno, opasnost ili upozorenje	Important, pericol sau avertisment	Fontos, veszély, figyelmeztetés vagy óvatosság	Svarbu, pavojus, įspėjimas ar atsargumas
Mora se reciklirati i uvek ga treba raspolagati u skladu sa važećim direktivama	Mora se reciklirati i uvijek zbrinuti u skladu sa važećim direktivama	Trebuie reciclat și trebuie întotdeauna eliminat în conformitate cu directivele aplicabile	Újrahasznosítani kell, és mindig a vonatkozó irányelveknek megfelelően kell ártalmatlanítani	Turi būti perdirbtas ir visada turi būti šalinamas pagal taikomas direktyvas
U skladu sa važećim bezbednosnim direktivama i relativnim standardima	U skladu s primjenjivim sigurnosnim direktivama i relativnim standardima	Respectă directivele de siguranță aplicabile și standardele aferente	Megfelel a vonatkozó biztonsági irányelveknek és a vonatkozó szabványoknak	Atitinka taikomas saugos direktyvas ir santykinius standartus

ENGLISH

GENERAL SAFETY WARNINGS

Read and understand this owner's manual before operating this product. You can help prevent accidents by being familiar with your product's controls and by observing safe operating procedures and safety signs. Always use your common sense to avoid all situations considered beyond your capability. Do not use while you are tired or under the influence of drugs, alcohol or any other medication. Keep bystanders and animals that could be hurt, as well as items that could be damaged away, while operating. Never allow children or people unfamiliar with these instructions to use the product. Local laws may restrict the minimum age of the operator. Bear in mind that the operator or user is responsible for accidents or unexpected events occurring to other people, animals or their property. Do not expose the product to excessive moisture, dust, dirt or corrosive vapors. Do not mount equipment or accessories on the machine not foreseen or approved by the manufacturer. Never attempt to modify the product. Non-authorized modifications or accessories can result in serious personal injury or the death of the operator or others. Consult your authorized dealer for disassembly and service, not covered in this manual. If something breaks or an accident occurs while working, turn off the machine immediately and move it away to prevent further damage. In case foreign body has entered the machine, stop it immediately, inspect it for any damage and make repairs before starting it again.

PROTECTIVE EQUIPMENT

Make sure that you use appropriate and certified protective equipment when operating the unit. Always wear clothing which does not hamper movements, protective gloves, goggles, half-mask respirator, ear protection and anti-shear safety boots with non-slip soles. Never wear scarves, necklaces or any hanging or flapping accessory and clothing that could catch in the machine. Tie up your hair if it is long.

FIRE AND BURN HAZARDS

Electric equipment malfunctions can cause sparks which could ignite flammable material.

Make sure that you keep your work area clean and tidy and do not use the machine near flammable material. If a fire occurs, use an appropriate fire extinguisher.

Do not touch rotating parts and the drill tool after working. Some surfaces may become very hot during use and should be allowed time to cool down before touching them.

CATEGORY SAFETY WARNINGS

SAFE OPERATION

All of the operational levers of the machine must move from one position to the other easily and must not need forcing. The electric cables and in particular the main plug cable must be in perfect condition to avoid the generation of any sparks

or the risk of electric shock. The handgrips and protection devices must be clean and dry as well as securely fastened to the machine. Operate the machine with both hands. Make sure that you always use the correct tool for each job in order to avoid machine failure or injury and avoid overloading the machine. The voltage and frequency ratings of the electricity supply must be within the specifications of the machine. Make sure that the machine switch is off when plugging it in, in order to avoid risk due to unintentional starting. Remove any keys and wrenches from the machine before operating.

Make sure that you stop the machine and unplug it from mains:

- ▶ When mounting or removing accessories and tools.
- ▶ Whenever you leave the machine unattended.
- ▶ During cleaning or maintenance.
- ▶ During machine repositioning, transportation or storage.

In case of a malfunction or jam of the machine, switch the machine off immediately and remove it from power source. The machine should not be started again if the jam is not cleared or the malfunction amended, at an authorized service center when needed. The machine could potentially jam when:

- ▶ The machine is overloaded.
- ▶ The work piece to be machined is jammed.

ELECTRICITY HAZARDS

Make sure that the electric cables of the machine and the mains plug, that it is connected to, are in good condition and not worn. Never use a damaged machine or a machine with damaged or worn electric cables and plugs. Do not expose the machine and the electric cables to wet conditions and never touch when wet. Use a socket outlet with ground contact.

Do not use the cable to pull the plug out of the socket.

To prevent damage to the power cable, always lead the power cable away from the rear of the machine and protect it from heat, oil and sharp objects. . When the machine is to be used outdoors, use only extension cords intended for outdoor use. The cross section of any extension cable must measure at least 1.5mm² and the mains connection must be protected by an appropriate fuse.

ROTATING PARTS HAZARDS

Rotating parts can cause serious injury. Avoid contacting the rotating parts when they are still in rotation and make sure that you keep anything that could be trapped in the operating machine, such as loose hair and clothing, away. Keep your hands away from the machining area when operating the machine.

Work pieces and tools can ricochet and lead to injury and property damage. Make sure that the machine and tools are always in good condition. Use clamps or a vice to hold the work piece firmly in position. Do not work on items that are too small to securely clamp in place.

Check for correct alignment of moving and rotating parts or other failures that could be a source of danger. A damaged guard or other part should be replaced by an authorized service center before operating the machine.
Do not touch the rotating parts before they come in complete stop.

NOISE AND VIBRATION HAZARDS

The noise levels shown in these instructions are the maximum levels for use of the machine. Insufficient maintenance has a significant impact on vibration and noise emissions. Consequently, it is necessary to take preventive steps to eliminate possible damage due to high levels of noise and stress from vibration. Maintain the machine well, wear ear protection devices, anti-vibration gloves and take breaks while working.

WORKING AREA HAZARDS

Thoroughly inspect the whole work area and use a rake or yard brush to manually loosen debris and remove anything that could be a hazardous source to you or cause damage to the machine. Keep work area clean and tidy. Do not operate the machine in wet environment conditions or when the machine itself is wet. Keep the machine away from flammable material. Check that there are no bystanders, animal or items that could be damaged within the machine's range of action. Operate only in well ventilated areas. Chips and saw dust can be a health hazard when inhaled or when in contact with the eyes. Always wear appropriate half-mask respirator and protective goggles, when working with such materials and use a dust extraction device.
Work only in daylight, or with suitable artificial light, in good visibility conditions. Try not to cause any noise disturbance, by only using this machine at reasonable times of the day.
Take on a firm and well-balanced position. Where possible, avoid working on wet, slippery ground or in any case on uneven or steep ground that does not guarantee stability for the operator.
Storing of tools that are not in use should be done in a dry and safe place away from the operating machine and out of the reach of children.

REMAINING HAZARDS

The machine was built using modern technology and in accordance with recognized safety rules. Even when all safety measures are in place, some remaining hazards, which are not yet evident, may be present. The operator should use common sense and take necessary precautions to avoid risk due to remaining hazards.

PRODUCT SPECIFICATIONS

INTENDED USE

This machine is designed and manufactured for machining work pieces by drilling e.g. wood, plastic, metal and similar material pieces. It is not designed for heavy commercial use.
Any other use differing from the above-mentio-

ned ones could be hazardous, harm people and/or damage things and the machine itself.

IMPROPER USE

The machine must not be used for machining hazardous materials, e.g. accumulation of inflammable or explosive products and any other object that could be dangerous to the machine itself as well as the operator, bystanders, animals or property.
Other examples of improper use may include, but are not limited to, operation of the machine:

- ▶ Without the original accessories supplied by the manufacturer.
- ▶ With original accessories but in a way not in accordance to the instructions.
- ▶ Without original spare parts.
- ▶ With unauthorized modifications.

NOTE:

According to the applicable product liability laws, the manufacturer of the device does not assume liability for damages to the product or damages caused by the product that occurs due to:

- ▶ Improper handling no complied with the operating instructions.
- ▶ Repairs by third parties and not by authorized service technicians.
- ▶ Installation of non-original spare parts.
- ▶ Non-intended use.
- ▶ Electrical system breakdown due to power of the machine in a manner not compliant with the electric and VDE regulations.

TECHNICAL DATA			
Article Number		45 938	45 939
Model		DPB 16/12 PLUS	DPF 16/12 PLUS
Rated voltage	V	230-240	230-240
Rated frequency	Hz	50	50
Power	W	550 (S1)	550 (S1)
Number of speeds		12	12
Speed range	rpm	230-2.500	220-2.600
Maximum chuck capacity	mm	13	13
Chuck stroke	mm	60	80
Swing	mm	250	340
Work table dimensions (L x W)	mm	190 x 190	255 x 255
Work table angle adjustment		-45°- 0°- 45°	-45°- 0°- 45°

TECHNICAL DATA			
Article Number		45 938	45 939
Model		DPB 16/12 PLUS	DPF 16/12 PLUS
Column diameter	mm	59,5	70
Base dimensions (L x W)	mm	334 x 203	428 x 255
Sound pressure level (LpA)	db(A)	70,7	73,8
Sound power level (LwA)	db(A)	84,5	86,8
Uncertainty (K)	dB	3	3
Height	mm	840	1.610
Net weight	kg	25	46

IDENTIFICATION (Fig. 1, 2)

1. Machine foot
2. Column
3. Clamping handle
4. Drilling table
5. Motor
6. Locking grip for belt tension
7. V-belt cover
8. Emergency stop switch
9. Three-spoke feed handle
10. Folding protector
11. Key drill chuck
12. Machine head
13. Depth indicator with stop
14. Crank handle
15. Hexagonal screw

OPERATION

PREPARING THE UNIT

Unpacking and completing the assembly should be done on a flat and stable surface, with enough space for moving the machine and its packaging, always making use of suitable equipment.

Package contents:

- ▶ Machine Foot (x1) (Fig. 2.1)
- ▶ Column (x1) (Fig. 2.2)
- ▶ Clamping handle (x1) (Fig. 2.3)
- ▶ Drilling table (x1) (Fig. 2.4)
- ▶ Feed handle (x3) (Fig. 2.9)
- ▶ Folding protector (x1) (Fig. 2.10)
- ▶ Drill chuck (x1) (Fig. 2.11)
- ▶ Machine head (x1) (Fig. 2.12)
- ▶ Crank handle (x1) (Fig. 2.14)
- ▶ Hexagonal screw (x4) (Fig. 2.15)
- ▶ Allen wrench (x2) (Fig. 2.A, 2.B)

To assemble the machine:

WARNING:

All the necessary adjustments for the good working of your machine have been done at the factory. Do

not modify them. However, because of a normal wear and tear of your tool, some re-adjustments might be necessary.

WARNING:

Always unplug your machine from power source before any adjustment.

Column and machine foot (Fig. 3):

Set the machine foot (1) down on the ground or the workbench. Place the column (2) on the base plate so that the holes on the column (2) align with the holes on the base plate (1). Screw the four hexagonal screws to fasten the column into the base plate and tighten them using a hexagon spanner.

Installing the drilling table holder (Fig. 4-7):

1. In order to install your drill, you must first remove the rack (C). Use an Allen key to remove the ring (D) and pull this off the column (2). Now pull the rack (C) out.
2. Insert the rack (C) into the groove on the drilling table holder (4).
3. Align the rack (C) centrally in relation to the drilling table holder (4).
4. When bringing the rack (C) together within the groove, ensure that the tooth meshing between the rack and the drilling table holder (4) is correct.
5. Now place the drilling table holder (4) with the rack (C) on the column (2) and guide the rack (C) into the bottom rack guide on the column foot.
6. Use the ring (D) to secure the rack (C). Ensure that the rack guide on the ring (D) is pointing downwards. Tighten the integrated Allen screw to affix the ring (D).
7. Place the hand crank (14) on the shaft of the drilling table holder (4) and secure it with the Allen screw. To do this, use the Allen key (B).
8. Screw one of the clamping handles (3) into the drilling table holder (4).

Installing the machine head and column (Fig. 8):

Place the machine head (12) on the column (2). Align the drill's spindle with the table and the base plate and tighten the Allen screw that is located on the side of the machine head. To do this, use the Allen key (A).

Installing the handles (Fig. 9):

Screw three handles (9) tight in the handle rack. Use the hexagon spanner to do this.

Installing the folding protector and the drill chuck (Fig. 11):

Push the folding protector (10) onto the spindle on the machine head and use a "Phillips" head screwdriver to secure it.

Installing the chuck (Fig. 12):

Clean the conical hole in the chuck (11) and the spindle cone with a clean piece of fabric. Make sure there are no foreign particles on it, as the slightest piece of dirt will prevent the chuck from

being properly positioned, causing the drill bit to wobble. Push the chuck up on the spindle nose as far as it can go. Turn chuck sleeve anticlockwise (when viewed from above) and open jaws in chuck completely. Place a piece of wood on the machine table and lower the spindle onto the piece of wood. Press firmly to ensure that the fitting of the chuck is properly done.

NOTE:

All bare parts are greased in order to protect them from corrosion. Before mounting the drill chuck onto the spindle, both parts must be completely degreased using an environmentally friendly solvent. This ensures optimal transmission of power.

Installing the machine:

Before you use the drill for the first time it must be mounted in a stationary position on a firm surface. Use both mounting holes in the base plate to do this. Ensure that the machine is freely accessible for operation, adjustment and maintenance.

WARNING:

The fixing screws may only be tightened to a point where they do not distort or deform the base plate. Excessive tension can lead to fracture.

NOTE:

The installed electric motor is completely wired ready for operation. The customer's connection to the power supply system, and any extension cables that may be used, must conform with local regulations. Check electrical connection cables regularly for damage. Make sure the cable is disconnected from the mains when checking. Electrical connection cables must comply with the regulations applicable in your country.

Single-phase motor:

- ▶ The mains voltage must coincide with the voltage specified on the motor's rating plate.
- ▶ Dimension cables up to a length of 25m must have a cross-section of 1.5mm² and beyond 25m at least 2.5mm².
- ▶ The connection to the mains must be protected with an appropriate slow acting fuse.

NOTE:

The motor is automatically switched off in the event of an overload. The motor can be switched on again after a cooling down period that can vary.

WARNING:

Connect the machine only to a socket with the properly installed ground contact.

OPERATING THE UNIT**WARNING:**

For your own safety, keep the machine switch in off position while performing any of the below procedures. Machine should be turned on, only if a specific step of the procedure states so and only for that particular step.

Installing drill bits:**WARNING:**

Only cylindrical tools with the stipulated maximum shaft diameter may be clamped in the scroll chuck.

Only use a tool that is sharp and free of defects. Do not use tools whose shaft is damaged or which are deformed or flawed in any other way. Use only accessories and attachments that are specified in the operating instructions or have been approved by the manufacturer. If the pillar drill should become jammed, switch off the machine and return the drill to its starting position.

Insert the drill bit into chuck far enough to obtain maximum gripping of chuck jaws. When using a small drill bit do not insert it so far that the jaws touch the spiral grooves of the drill bit. Make sure that the drill bit is centered in the chuck before tightening the chuck with the chuck key. Tighten the drill chuck sufficiently, so that the drill bit does not slip while drilling.

Turn the chuck key clockwise to tighten, anticlockwise to loosen.

NOTE:

Your pillar drill is equipped with a keyless chuck. This enables tools to be changed without the need for an additional chuck key. To do so, insert the tool in the quick-change drill chuck and tighten by hand.

Setting the speed (Fig. 1):

The operating speed of the machine is infinitely adjustable.

NOTE:

Speed adjustments are allowed only when the motor is running and in idle.

Slowly and steadily move the speed control lever (6) while the machine is in idle mode. Ensure that the machine can run without interruption (e.g. remove work pieces, drill bits, etc.).

WARNING:

Never let the pillar drill run when the V-belt cover is open. Always pull power plug before opening the cover. Never touch the V-belt when it is rotating.

Drill depth stop (Fig. 13):

The drilling spindle has a swiveling scale ring (17) for setting the drill depth. Only adjust the setting when the equipment is at a standstill.

1. Press the drilling spindle downwards until the tip of the drill bit touches the work piece.
2. Loosen the clamping screw (13) and turn the scale ring (17) forwards until it stops.
3. Turn the scale ring (17) back to the desired drill depth, and then lock this setting into place using the clamping screw (13).

NOTE:

When setting the drill depth of a cylindrical hole you must add the length of the drill tip.

Setting the angle of the drill table (Fig. 14):

Loosen the carriage bolt (18) under the drill table. Set the drill table to the desired angle. Tighten down the carriage bolt (18) in order to lock the drill table into this position.

Setting the height of the drill table (Fig. 15):

Loosen the tightening screw (3). Set the drill table to the desired position with the help of the hand crank (14). Screw the tightening screw (3) back down again.

Adjusting the spindle return spring (Fig. 16):

It may be necessary to adjust the spindle return spring because its tension has changed and the spindle moves back too quickly or too slowly. To do so:

1. Lower the table for more work space.
2. Work on the left side of the drill.
3. Insert a screwdriver into the lower front groove (1) and hold it.
4. Remove the outer nut (3) with a wrench.
5. With the screwdriver still in the nut, loosen the inner nut (4) until the notch detaches from the hub (6).

WARNING:

Spring is under tension.

6. Carefully turn the spring cap (2) counterclockwise with the screwdriver until you can press the nut (1) into the hub (6).
7. Lower the spindle to the lowest position and hold the spring cap (2) in position. When the spindle moves up and down as you wish, tighten the inner nut (4) again.
8. If it's too loose, repeat steps 3-5. If it's too tight, reverse the step 6.
9. Secure the outer nut (3) against the inner nut (4) with an open-ended wrench.

NOTE:

Do not tighten excessively and do not restrict the movement of the spindle.

The axial operation of the spindle (Fig. 17):

When the spindle is in the lower position, turn it by hand. If you find that the operation is too big, proceed as follows:

1. Loosen the lock nut (19).
2. Turn the screw clockwise (20), to balance the operation, without interfering with the up and down movement of the spindle (a little operation is normal).
3. Tighten the lock nut (19) again.

Positioning the work piece:

As a general rule, use a machine vice or another suitable clamping device to secure a work piece in position. Never hold the work piece in place with your hand. When drilling, the work piece should be able to travel on the drill table for self-centering purposes. Ensure that the work piece cannot rotate. This is best achieved by placing the work piece /machine vice on a sturdy block.

NOTE:

Sheet metal parts must be clamped in to prevent them from being torn up. Properly set the height and angle of the drill table for each work piece. There must be enough distance between the upper edge of the work piece and the tip of the drill bit.

NOTE:

Place a piece of backup material (e.g. wood) on the table underneath the work piece. This will prevent splitting or making a heavy burr on the underside of the work pieces as the drill bit breaks through.

WARNING:

To keep the backup material from spinning out of control it must contact the left side of the column as illustrated. If the work piece or the backup mate-

rial is not long enough to reach the column, clamp them to the table. Failure to do this could result in personal injury.

NOTE:

For small pieces that cannot be clamped to the table, use a drill press vise (optional accessory). The vise must be clamped or bolted to the table to avoid injury from spinning or breakage.

Choosing speed:

Ensure that you drill at the proper speed. Drill speed is dependent on the diameter of the drill bit and the material in question.

The table below acts as a guide for selecting the proper speed for various materials:

Drill bit ø	Cast iron	Steel	Iron	Alu minium	Bronze
3	2.550	1.600	2.230	9.500	8.000
4	1.900	1.200	1.680	7.200	6.000
5	1.530	955	1.340	5.700	4800
6	1.270	800	1.100	4.800	4.000
7	1.090	680	960	4.100	3.400
8	960	600	840	3.600	3.000
9	850	530	740	3.200	2.650
10	765	480	670	2.860	2.400
11	700	435	610	2.600	2.170
12	640	400	560	2.400	2.000
13	590	370	515	2.200	1.840
14	545	340	480	2.000	1.700
16	480	300	420	1.800	1.500
18	425	265	370	1.600	1.300
20	380	240	335	1.400	1.200
22	350	220	305	1.300	1.100
25	305	190	270	1.150	950

NOTE:

The drill speeds specified above are merely suggested values.

Countersinking and center-drilling:

With this table drill, you can also countersink and center-drill. Please observe that countersinking should be performed at the lowest speed, while a high speed is required for center-drilling.

MAINTENANCE AND CLEANING**WARNING:**

For your own safety, turn the switch off and remove plug from power source outlet before any operation of maintenance on the drill press.

Keep your appliance clean. To avoid motor damage, blow out or vacuum frequently this motor to keep drill press dust from interfering with normal motor ventilation.

POWER CORD

To avoid shock or fire hazard, if the power cord is worn or cut, or damaged in any way, have it replaced immediately.

Defective electrical connection cables:

Electrical connection cables often suffer insulation damage. Possible causes are:

1. Punch points when connection cables are run through window or door gaps.
2. Kinks resulting from incorrect attachment or laying of the connection cable.
3. Cuts resulting from running over the connecting cable.
4. Insulation damage resulting from forcefully pulling out of the wall socket.
5. Cracks through aging of insulation.

Such defective electrical connection cables must not be used as the insulation damage makes them extremely hazardous.

LUBRICATION

Periodically lubricate moving parts.

CLEANING

Use a small soft brush to clean the outside of the unit. Do not use strong detergents. Household cleaners that contain aromatic oils such as pine and lemon and solvents such as kerosene can damage plastic housing or handle. Wipe off any moisture with a soft cloth. Remove dust, dirt and machining residues with an appropriate vacuum cleaner if necessary.

STORAGE**WARNING:**

Turn the switch off and remove the plug from power source outlet to store the machine.

Store the unit only in dry and well ventilated areas. In case the unit will be stored for an extended time, use the following storage procedure:

1. Thoroughly clean the unit and inspect for any loose or damaged parts. Repair or replace damaged parts and tighten loose screws, nuts or bolts.
2. Lubricate and apply grease, where required.
3. Store the unit in its original packaging.

ENVIRONMENTAL PROTECTION

Recycle raw materials instead of disposing as waste. Machine, accessories and packaging should be sorted for environment friendly recycling. The plastic components are labeled for categorized recycling.

This product must not be disposed of together with domestic waste in compliance with relative legislation referring to waste of electrical and electronic equipment. This product must be disposed of at a designated collection point. This can occur, for example, by handing it in at an authorized collecting point for the recycling of waste electrical and electronic equipment. Improper handling of waste equipment may have negative consequences for the environment and human

health due to potentially hazardous substances that are often contained in electrical and electronic equipment. By properly disposing of this product, you are also contributing to the effective use of natural resources.

You can obtain information on collection points for waste equipment from your municipal administration, public waste disposal authority, an authorized body for the disposal of waste electrical and electronic equipment or your waste disposal company.

WARRANTY

This product is warranted in accordance with the legal / country specific regulations, effective from the date of purchase by the first user. Damage attributable to normal wear and tear, overload or improper handling will be excluded from the warranty. In case of a claim, please send the machine, completely assembled, to your dealer or the official service center.

FRANÇAIS

AVERTISSEMENTS GÉNÉRAUX DE SÉCURITÉ

Lisez et comprenez ce manuel de l'utilisateur avant d'utiliser ce produit. Vous pouvez aider à prévenir les accidents en vous familiarisant avec les commandes de votre produit et en respectant les procédures d'utilisation et les panneaux de sécurité. Utilisez toujours votre bon sens pour éviter toutes les situations considérées au-delà de vos capacités. Ne pas utiliser si vous êtes fatigué ou sous l'influence de drogues, d'alcool ou de tout autre médicament. Gardez à distance les spectateurs et les animaux qui pourraient être blessés, ainsi que les objets qui pourraient être endommagés, pendant le fonctionnement. Ne permettez jamais aux enfants ou aux personnes non familiarisées avec ces instructions d'utiliser le produit. Les lois locales peuvent restreindre l'âge minimum de l'opérateur. Gardez à l'esprit que l'opérateur ou l'utilisateur est responsable des accidents ou des événements imprévus survenant à d'autres personnes, animaux ou à leurs biens. N'exposez pas le produit à une humidité excessive, à la poussière, à la saleté ou aux vapeurs corrosives. Ne montez pas d'équipement ou d'accessoires sur la machine non prévus ou approuvés par le fabricant. N'essayez jamais de modifier le produit. Les modifications ou accessoires non autorisés peuvent entraîner des blessures graves ou la mort de l'opérateur ou d'autres personnes. Consultez votre revendeur agréé pour le démontage et l'entretien, non couverts dans ce manuel. Si quelque chose se brise ou si un accident se produit pendant le travail, éteignez immédiatement la machine et éloignez-la pour éviter d'autres dommages. Si un corps étranger est entré dans la machine, arrêtez-la immédiatement, inspectez-la pour déceler tout dommage et effectuez les réparations avant de la redémarrer.

ÉQUIPEMENT PROTECTEUR

Assurez-vous que vous utilisez un équipement de protection approprié et certifié lors de l'utilisation de l'unité. Portez toujours des vêtements qui ne gênent pas les mouvements, des gants de protection, des lunettes, un demi-masque respiratoire, une protection auditive et des bottes de sécurité anti-cisaillement à semelles antidérapantes. Ne portez jamais d'écharpes, de colliers ou d'accessoires et vêtements suspendus ou flottants qui pourraient se coincer dans la machine. Attachez vos cheveux s'ils sont longs.

RISQUES D'INCENDIE ET DE BRÛLURE

Les dysfonctionnements de l'équipement électrique peuvent provoquer des étincelles qui pourraient enflammer des matériaux inflammables. Assurez-vous de garder votre zone de travail propre et en ordre et n'utilisez pas la machine à proximité de matériaux inflammables. En cas d'incendie, utilisez un extincteur approprié. Ne touchez pas les pièces rotatives et l'outil de forage après avoir travaillé. Certaines surfaces peuvent devenir très chaudes pendant l'utilisation et doivent avoir le temps de refroidir avant de les toucher.

AVERTISSEMENTS DE SÉCURITÉ DE CATÉGORIE

FONCTIONNEMENT SÛR

Tous les leviers de commande de la machine doivent se déplacer facilement d'une position à l'autre et ne doivent pas être forcés. Les câbles électriques et en particulier le câble de la fiche principale doivent être en parfait état pour éviter la génération d'étincelles ou le risque de choc électrique. Les poignées et les dispositifs de protection doivent être propres et secs ainsi que solidement fixés à la machine. Faites fonctionner la machine à deux mains. Assurez-vous que vous utilisez toujours l'outil approprié pour chaque travail afin d'éviter une panne ou des blessures de la machine et éviter de surcharger la machine. Les valeurs nominales de tension et de fréquence de l'alimentation électrique doivent être conformes aux spécifications de la machine. Assurez-vous que l'interrupteur de la machine est éteint lorsque vous le branchez, afin d'éviter tout risque dû à un démarrage involontaire. Retirez toutes les clés et clés de la machine avant de l'utiliser.

Assurez-vous d'arrêter la machine et de la débrancher du secteur:

- ▶ Lors du montage ou du retrait d'accessoires et d'outils.
- ▶ Chaque fois que vous laissez la machine sans surveillance.
- ▶ Pendant le nettoyage ou l'entretien.
- ▶ Pendant le repositionnement, le transport ou le stockage de la machine.

En cas de dysfonctionnement ou de bourrage de la machine, éteignez immédiatement la machine et retirez-la de la source d'alimentation. La machine ne doit pas être redémarrée si le bourrage n'est pas éliminé ou le dysfonctionnement corrigé, dans un centre de service agréé si nécessaire. La machine peut potentiellement se bloquer lorsque:

- ▶ La machine est surchargée.
- ▶ La pièce à usiner est bloquée.

DANGERS ÉLECTRIQUES

Assurez-vous que les câbles électriques de la machine et la fiche secteur sur laquelle elle est branchée sont en bon état et non usés. N'utilisez jamais une machine endommagée ou une machine avec des câbles électriques et des prises endommagés ou usés. N'exposez pas la machine et les câbles électriques à des conditions humides et ne les touchez jamais lorsqu'ils sont mouillés. Utilisez une prise de courant avec contact de terre.

N'utilisez pas le câble pour retirer la fiche de la prise. Pour éviter d'endommager le câble d'alimentation, éloignez toujours le câble d'alimentation de l'arrière de la machine et protégez-le de la chaleur, de l'huile et des objets tranchants. Lorsque la machine doit être utilisée à l'extérieur, n'utilisez que des rallonges destinées à une utilisation en extérieur. La section transversale de tout câble d'extension doit mesurer au moins 1,5 mm² et la connexion au secteur doit être protégée par un fusible approprié.

DANGERS LIÉS AUX PIÈCES EN ROTATION

Les pièces en rotation peuvent provoquer des blessures graves. Évitez tout contact avec les pièces rotatives lorsqu'elles sont encore en rotation et assurez-vous de garder à l'écart tout ce qui pourrait être coincé dans la machine en fonctionnement, comme les cheveux lâches et les vêtements. Gardez vos mains éloignées de la zone d'usinage lorsque vous utilisez la machine.

Les pièces de travail et les outils peuvent ricocher et entraîner des blessures et des dommages matériels. Assurez-vous que la machine et les outils sont toujours en bon état. Utilisez des pinces ou un étau pour maintenir fermement la pièce à travailler. Ne travaillez pas sur des objets trop petits pour être bien fixés en place.

Vérifiez l'alignement correct des pièces mobiles et rotatives ou d'autres défaillances qui pourraient être une source de danger. Une protection ou une autre pièce endommagée doit être remplacée par un centre de service agréé avant d'utiliser la machine.

Ne touchez pas les pièces rotatives avant leur arrêt complet.

RISQUES DE BRUIT ET DE VIBRATION

Les niveaux de bruit indiqués dans ces instructions sont les niveaux maximums d'utilisation de la machine. Un entretien insuffisant a un impact significatif sur les vibrations et les émissions sonores. Par conséquent, il est nécessaire de prendre des mesures préventives pour éliminer les dommages éventuels dus aux niveaux élevés de bruit et de stress dû aux vibrations. Entretenez bien la machine, portez des protections auditives, des gants anti-vibrations et faites des pauses pendant le travail.

DANGERS DE LA ZONE DE TRAVAIL

Inspectez soigneusement toute la zone de travail et utilisez un râteau ou une brosse de jardin pour décoller manuellement les débris et enlever tout ce qui pourrait être une source dangereuse pour vous ou endommager la machine. Gardez la zone de travail propre et rangée. N'utilisez pas la machine dans des conditions d'environnement humide ou lorsque la machine elle-même est mouillée. Tenez la machine éloignée des matériaux inflammables. Vérifiez qu'il n'y a pas de spectateurs, d'animaux ou d'articles susceptibles d'être endommagés dans la zone d'action de la machine.

Ne faites fonctionner que dans des zones bien ventilées. Les copeaux et la sciure de bois peuvent constituer un danger pour la santé en cas d'inhalation ou de contact avec les yeux. Portez toujours un demi-masque respiratoire et des lunettes de protection appropriés lorsque vous travaillez avec de tels matériaux et utilisez un dispositif d'extraction de poussière.

Travaillez uniquement à la lumière du jour, ou avec une lumière artificielle appropriée, dans de bonnes conditions de visibilité. Essayez de ne causer aucun bruit, en n'utilisant cette machine qu'à des heures raisonnables de la journée.

Adoptez une position ferme et équilibrée. Dans la mesure du possible, évitez de travailler sur un sol

mouillé, glissant ou dans tous les cas sur un sol accidenté ou escarpé qui ne garantit pas la stabilité de l'opérateur.

Le stockage des outils non utilisés doit être effectué dans un endroit sec et sûr, à l'écart de la machine en fonctionnement et hors de portée des enfants.

DANGERS RESTANTS

La machine a été construite en utilisant une technologie moderne et conformément aux règles de sécurité reconnues. Même lorsque toutes les mesures de sécurité sont en place, certains dangers restants, qui ne sont pas encore évidents, peuvent être présents. L'opérateur doit faire preuve de bon sens et prendre les précautions nécessaires pour éviter les risques dus aux dangers restants.

SPECIFICATIONS DU PRODUIT

UTILISATION PRÉVUE

Cette machine est conçue et fabriquée pour l'usinage de pièces par perçage, par ex. pièces de bois, de plastique, de métal et de matériaux similaires. Il n'est pas conçu pour un usage commercial intensif.

Toute autre utilisation différente de celles mentionnées ci-dessus peut être dangereuse, blesser des personnes et / ou endommager des choses et la machine elle-même.

UTILISATION INCORRECTE

La machine ne doit pas être utilisée pour l'usinage de matières dangereuses, par ex. accumulation de produits inflammables ou explosifs et de tout autre objet qui pourrait être dangereux pour la machine elle-même ainsi que pour l'opérateur, les passants, les animaux ou les biens.

D'autres exemples d'utilisation incorrecte peuvent inclure, mais sans s'y limiter, le fonctionnement de la machine:

- ▶ Sans les accessoires d'origine fournis par le fabricant.
- ▶ Avec des accessoires d'origine mais d'une manière non conforme aux instructions.
- ▶ Sans pièces de rechange d'origine.
- ▶ Avec des modifications non autorisées.

REMARQUE:

Conformément aux lois sur la responsabilité du produit en vigueur, le fabricant de l'appareil n'assume aucune responsabilité pour les dommages au produit ou les dommages causés par le produit en raison de:

- ▶ Manipulation non conforme non conforme aux instructions d'utilisation.
- ▶ Réparations par des tiers et non par des techniciens de service autorisés.
- ▶ Installation de pièces de rechange non originales.
- ▶ Utilisation non conforme.
- ▶ Panne du système électrique due à l'alimentation de la machine d'une manière non conforme aux réglementations électriques et VDE.

DONNÉES TECHNIQUES			
Numéro de l'article		45 938	45 939
Modèle		DPB	DPF
		16/12 PLUS	16/12 PLUS
Tension nominale	V	230-240	230-240
Fréquence nominale	Hz	50	50
Puissance	W	550 (S1)	550 (S1)
Nombre de vitesses		12	12
Plage de vitesse	rpm	230-2.500	220-2.600
Capacité maximale du mandrin	mm	13	13
Course de mandrin	mm	60	80
Balancoire	mm	250	340
Dimensions de la table de travail (L x l)	mm	190 x 190	255 x 255
Réglage de l'angle de la table de travail		-45°- 0°- 45°	-45°- 0°- 45°
Diamètre de la colonne	mm	59,5	70
Dimensions de la base (L x l)	mm	334 x 203	428 x 255
Niveau de pression acoustique (LpA)	db(A)	70,7	73,8
Niveau de puissance sonore (LWA)	db(A)	84,5	86,8
Incertitude K	dB	3	3
Taille	mm	840	1.610
Poids net	kg	25	46

IDENTIFICATION (FIG.1, 2)

1. Pied de machine
2. Colonne
3. Poignée de serrage
4. Table de perçage
5. Moteur
6. Poignée de verrouillage pour la tension de la courroie
7. Couvreclé de courroie trapézoïdale

8. Interrupteur d'arrêt d'urgence
9. Poignée d'alimentation à trois branches
10. Protecteur pliant
11. Mandrin à clé
12. Tête de la machine
13. Indicateur de profondeur avec butée
14. Manivelle
15. Vis hexagonale

OPÉRATION

PRÉPARATION DE L'UNITÉ

Le déballage et l'achèvement de l'assemblage doivent être effectués sur une surface plane et stable, avec suffisamment d'espace pour déplacer la machine et son emballage, en utilisant toujours un équipement approprié.

Contenu du colis:

- Pied de machine (x1) (Fig.2.1)
- Colonne (x1) (Fig.2.2)
- Poignée de serrage (x1) (Fig.2.3)
- Table de perçage (x1) (Fig.2.4)
- Poignée d'alimentation (x3) (Fig.2.9)
- Protecteur pliant (x1) (Fig.2.10)
- Mandrin de perçage (x1) (Fig.2.11)
- Tête de machine (x1) (Fig.2.12)
- Manivelle (x1) (Fig.2.14)
- Vis hexagonale (x4) (Fig.2.15)
- Clé Allen (x2) (Fig.2.A, 2.B)

Pour assembler la machine:

ATTENTION:

Tous les réglages nécessaires au bon fonctionnement de votre machine ont été effectués en usine. Ne les modifiez pas. Cependant, en raison d'une usure normale de votre outil, certains ajustements peuvent être nécessaires.

ATTENTION:

Débranchez toujours votre machine de la source d'alimentation avant tout réglage.

Colonne et pied de machine (Fig.3):

Posez le pied de la machine (1) sur le sol ou sur l'établi. Placez la colonne (2) sur la plaque de base de sorte que les trous de la colonne (2) soient alignés avec les trous de la plaque de base (1). Visser les quatre vis hexagonales pour fixer la colonne dans la plaque de base et les serrer à l'aide d'une clé hexagonale.

Installation du support de table de perçage (Fig.4-7):

1. Pour installer votre perceuse, vous devez d'abord retirer le support (C). Utilisez une clé Allen pour retirer la bague (D) et retirez-la de la colonne (2). Retirez maintenant la grille (C).
2. Insérez la crémaillère (C) dans la rainure du support de table de perçage (4).
3. Alignez la crémaillère (C) au centre par rapport au support de table de perçage (4).
4. Lorsque vous rapprochez la crémaillère (C) de la rainure, assurez-vous que l'engrènement des dents entre la crémaillère et le support de table de perçage (4) est correct.
5. Placez maintenant le support de table de perçage (4) avec le support (C) sur la colonne (2) et guidez le support (C) dans le guide du support

- inférieur sur le pied de colonne.
- Utilisez l'anneau (D) pour fixer le support (C). Assurez-vous que le guide du rack sur l'anneau (D) est orienté vers le bas. Serrez la vis Allen intégrée pour fixer la bague (D).
 - Placez la manivelle (14) sur l'axe du support de table de perçage (4) et fixez-la avec la vis Allen. Pour ce faire, utilisez la clé Allen (B).
 - Visser l'une des poignées de serrage (3) dans le support de table de perçage (4).

Installation de la tête de la machine et de la colonne (Fig.8):

Placez la tête de la machine (12) sur la colonne (2). Alignez la broche de la perceuse avec la table et la plaque de base et serrez la vis Allen située sur le côté de la tête de la machine. Pour ce faire, utilisez la clé Allen (A).

Installation des poignées (Fig. 9):

Visser fermement trois poignées (9) dans le support de poignées. Utilisez la clé hexagonale pour ce faire.

Installation de la protection pliante et du mandrin de perçage (Fig.11):

Poussez le protecteur de pliage (10) sur l'axe de la tête de la machine et utilisez un tournevis à tête «Phillips» pour le fixer.

Installation du mandrin (Fig.12):

Nettoyez le trou conique du mandrin (11) et le cône de broche avec un morceau de tissu propre. Assurez-vous qu'il n'y a pas de particules étrangères dessus, car le moindre morceau de saleté empêchera le mandrin d'être correctement positionné, provoquant l'oscillation du foret. Poussez le mandrin sur le nez de la broche aussi loin que possible. Tourner le manchon du mandrin dans le sens antihoraire (vu du dessus) et ouvrir complètement les mâchoires du mandrin. Placez un morceau de bois sur la table de la machine et abaissez la broche sur le morceau de bois. Appuyez fermement pour vous assurer que le montage du mandrin est correctement effectué.

REMARQUE:

Toutes les pièces nues sont graissées afin de les protéger de la corrosion. Avant de monter le mandrin de perçage sur la broche, les deux pièces doivent être complètement dégraissées à l'aide d'un solvant écologique. Cela garantit une transmission optimale de la puissance.

Installation de la machine:

Avant d'utiliser la perceuse pour la première fois, elle doit être montée en position stationnaire sur une surface ferme. Pour ce faire, utilisez les deux trous de montage de la plaque de base. Assurez-vous que la machine est librement accessible pour le fonctionnement, le réglage et la maintenance.

ATTENTION:

Les vis de fixation ne doivent être serrées qu'à un point où elles ne déforment ni ne déforment la plaque de base. Une tension excessive peut entraîner une fracture.

REMARQUE:

Le moteur électrique installé est entièrement câblé et prêt à fonctionner. La connexion du client au système d'alimentation électrique et les câbles d'extension pouvant être utilisés doivent être conformes aux réglementations locales. Vérifiez régulièrement que les câbles de connexion électrique ne sont pas endommagés. Assurez-vous que le câble est débranché du secteur lors de la vérification. Les câbles de connexion électrique doivent être conformes aux réglementations applicables dans votre pays.

Moteur monophasé:

- La tension du secteur doit coïncider avec la tension indiquée sur la plaque signalétique du moteur.
- Les câbles de dimension jusqu'à une longueur de 25 m doivent avoir une section de 1,5 mm² et au-delà de 25 m d'au moins 2,5 mm².
- La connexion au secteur doit être protégée par un fusible à action lente approprié.

REMARQUE:

Le moteur est automatiquement arrêté en cas de surcharge. Le moteur peut être remis en marche après une période de refroidissement qui peut varier.

ATTENTION:

Connectez la machine uniquement à une prise avec le contact de terre correctement installé.

UTILISATION DE L'UNITÉ

ATTENTION:

Pour votre propre sécurité, maintenez l'interrupteur de la machine en position d'arrêt tout en exécutant l'une des procédures ci-dessous. La machine ne doit être allumée que si une étape spécifique de la procédure l'indique et uniquement pour cette étape particulière.

Installation de forets:

ATTENTION:

Seuls les outils cylindriques avec le diamètre d'arbre maximum spécifié peuvent être serrés dans le mandrin à spirale. Utilisez uniquement un outil tranchant et exempt de défauts. N'utilisez pas d'outils dont l'arbre est endommagé ou qui sont déformés ou défectueux d'une autre manière. N'utilisez que des accessoires et des accessoires spécifiés dans le mode d'emploi ou approuvés par le fabricant. Si la perceuse à colonne se coince, éteignez la machine et ramenez la perceuse à sa position de départ.

Insérez le foret dans le mandrin suffisamment loin pour obtenir une préhension maximale des mâchoires du mandrin. Lorsque vous utilisez un petit foret, ne l'insérez pas trop loin pour que les mâchoires touchent les rainures en spirale du foret. Assurez-vous que le foret est centré dans le mandrin avant de serrer le mandrin avec la clé du mandrin. Serrez suffisamment le mandrin de perçage pour que le foret ne glisse pas pendant le perçage. Tournez la clé du mandrin dans le sens horaire pour serrer, dans le sens antihoraire pour desserrer.

REMARQUE:

Votre perceuse à colonne est équipée d'un mandrin sans clé. Cela permet de changer les outils sans avoir besoin d'une clé de mandrin supplémentaire. Pour

ce faire, insérez l'outil dans le mandrin à changement rapide et serrez à la main.

Réglage de la vitesse (Fig.1):

La vitesse de fonctionnement de la machine est réglable en continu.

REMARQUE:

Les réglages de vitesse ne sont autorisés que lorsque le moteur est en marche et au ralenti.

Déplacer lentement et régulièrement le levier de commande de vitesse (6) pendant que la machine est en mode ralenti. Assurez-vous que la machine peut fonctionner sans interruption (par ex. Retirer des pièces de travail, des forêts, etc.).

ATTENTION:

Ne laissez jamais la perceuse à colonne tourner lorsque le couvercle de la courroie trapézoïdale est ouvert. Tirez toujours sur la fiche d'alimentation avant d'ouvrir le couvercle. Ne touchez jamais la courroie trapézoïdale lorsqu'elle tourne.

Butée de profondeur de perçage (Fig.13):

La broche de perçage comporte une bague graduée pivotante (17) pour régler la profondeur de perçage. Ajustez le réglage uniquement lorsque l'équipement est à l'arrêt.

1. Poussez la broche de perçage vers le bas jusqu'à ce que la pointe du foret touche la pièce à usiner.
2. Desserrez le vis de serrage (13) et tournez la bague graduée (17) vers l'avant jusqu'à ce qu'elle s'arrête.
3. Tournez la bague graduée (17) à la profondeur de perçage souhaitée, puis verrouillez ce réglage en place à l'aide de la vis de serrage (13).

REMARQUE:

Lors du réglage de la profondeur de perçage d'un trou cylindrique, vous devez ajouter la longueur de la pointe de perçage.

Réglage de l'angle de la table de forage (Fig.14):

Desserrez le boulon de carrosserie (18) sous la table de forage. Réglez la table de forage à l'angle souhaité. Serrez le boulon de carrosserie (18) pour verrouiller la table de forage dans cette position.

Réglage de la hauteur de la table de forage (Fig.15):

Desserrez le vis de serrage (3). Réglez la table de forage dans la position souhaitée à l'aide de la manivelle (14). Revissez le vis de serrage (3).

Réglage du ressort de rappel de la broche (Fig.16):

Il peut être nécessaire de régler le ressort de rappel de la broche car sa tension a changé et la broche recule trop rapidement ou trop lentement. Faire cela:

1. Abaissez la table pour plus d'espace de travail.
2. Travaillez sur le côté gauche de la perceuse.
3. Insérez un tournevis dans la rainure avant inférieure (1) et maintenez-le.
4. Retirez l'écrou extérieur (3) avec une clé.
5. Le tournevis étant toujours dans l'écrou, desserrez l'écrou intérieur (4) jusqu'à ce que l'encoche se détache du moyeu (6).

ATTENTION:

Le printemps est sous tension.

6. Tournez avec précaution le capuchon du ressort (2) dans le sens antihoraire avec le tournevis jusqu'à ce que vous puissiez enfoncer l'écrou (1) dans le moyeu (6).

7. Abaissez l'axe à la position la plus basse et maintenez le capuchon de ressort (2) en position. Lorsque la broche monte et descend comme vous le souhaitez, resserrez l'écrou intérieur (4).

8. S'il est trop lâche, répétez les étapes 3 à 5. S'il est trop serré, inversez l'étape 6.

9. Fixez l'écrou extérieur (3) contre l'écrou intérieur (4) à l'aide d'une clé à fourche.

REMARQUE:

Ne serrez pas excessivement et ne restreignez pas le mouvement de la broche.

Le fonctionnement axial de la broche (Fig.17):

Lorsque la broche est en position basse, tournez-la à la main. Si vous trouvez que l'opération est trop importante, procédez comme suit:

1. Desserrez le contre-écrou (19).
2. Tourner la vis dans le sens des aiguilles d'une montre (20), pour équilibrer l'opération, sans interférer avec le mouvement de haut en bas de la broche (une petite opération est normale).
3. Resserrez le contre-écrou (19).

Positionnement de la pièce:

En règle générale, utilisez un étau de machine ou un autre dispositif de serrage approprié pour fixer une pièce à usiner en position. Ne tenez jamais la pièce en place avec votre main. Lors du perçage, la pièce à usiner doit pouvoir se déplacer sur la table de perçage à des fins d'auto-centrage. Assurez-vous que la pièce à travailler ne peut pas tourner. Le mieux est de placer la pièce à usiner / l'étau de la machine sur un bloc solide.

REMARQUE:

Les pièces en tôle doivent être serrées pour éviter qu'elles ne se déchirent. Réglez correctement la hauteur et l'angle de la table de forage pour chaque pièce de travail. Il doit y avoir une distance suffisante entre le bord supérieur de la pièce à travailler et la pointe du foret.

REMARQUE:

Placez un morceau de matériau de support (par exemple du bois) sur la table sous la pièce à travailler. Cela évitera de se fendre ou de créer une forte bavure sur la face inférieure des pièces à usiner lorsque le foret perce.

ATTENTION:

Pour éviter que le matériau de sauvegarde ne tourne hors de contrôle, il doit entrer en contact avec le côté gauche de la colonne comme illustré. Si la pièce à usiner ou le matériau d'appui n'est pas assez long pour atteindre la colonne, fixez-les à la table. Le non-respect de cette consigne peut entraîner des blessures corporelles.

REMARQUE:

Pour les petites pièces qui ne peuvent pas être fixées à la table, utilisez un étau pour perceuse à colonne (accessoire en option). L'étau doit être serré ou boulonné à la table pour éviter les blessures causées par la rotation ou la rupture.

Choisir la vitesse:

Assurez-vous de percer à la bonne vitesse. La vitesse de forage dépend du diamètre du foret et du matériau en question.

Le tableau ci-dessous sert de guide pour sélectionner la vitesse appropriée pour divers matériaux:

Foret Ø	Fonte	Acier	Fer	Alu minium	Bronze
3	2.550	1.600	2.230	9.500	8.000
4	1.900	1.200	1.680	7.200	6.000
5	1.530	955	1.340	5.700	4800
6	1.270	800	1.100	4.800	4.000
7	1.090	680	960	4.100	3.400
8	960	600	840	3.600	3.000
9	850	530	740	3.200	2.650
10	765	480	670	2.860	2.400
11	700	435	610	2.600	2.170
12	640	400	560	2.400	2.000
13	590	370	515	2.200	1.840
14	545	340	480	2.000	1.700
16	480	300	420	1.800	1.500
18	425	265	370	1.600	1.300
20	380	240	335	1.400	1.200
22	350	220	305	1.300	1.100
25	305	190	270	1.150	950

REMARQUE:

Les vitesses de forage spécifiées ci-dessus ne sont que des valeurs suggérées.

Fraisage et perçage central:

Avec ce foret de table, vous pouvez également fraiser et percer au centre. Veuillez noter que le fraisage doit être effectué à la vitesse la plus basse, alors qu'une vitesse élevée est nécessaire pour le forage central.

MAINTENANCE ET NETTOYAGE**ATTENTION:**

Pour votre propre sécurité, éteignez l'interrupteur et retirez la fiche de la prise de courant avant toute opération de maintenance sur la perceuse à colonne. Gardez votre appareil propre. Pour éviter d'endommager le moteur, soufflez ou aspirez fréquemment ce moteur pour éviter que la poussière de la perceuse à colonne n'interfère avec la ventilation normale du moteur.

CORDON D'ALIMENTATION

Pour éviter tout risque d'électrocution ou d'incendie, si le cordon d'alimentation est ver, coupé ou endommagé de quelque manière que ce soit, faites-le remplacer immédiatement.

Câbles de raccordement électrique défectueux:

Les câbles de connexion électrique subissent sou-

vent des dommages d'isolation. Les causes possibles sont:

1. Points de poinçonnage lorsque les câbles de connexion passent à travers les fentes des fenêtres ou des portes.
 2. Les plis résultant d'une mauvaise fixation ou pose du câble de raccordement.
 3. Coupures résultant du passage sur le câble de raccordement.
 4. Dommages d'isolation résultant d'un retrait forcé de la prise murale.
 5. Fissures dues au vieillissement de l'isolant.
- Ces câbles de connexion électrique défectueux ne doivent pas être utilisés car les dommages d'isolation les rendent extrêmement dangereux.

LUBRIFICATION

Lubrifiez périodiquement les pièces mobiles.

NETTOYAGE

Utilisez une petite brosse douce pour nettoyer l'extérieur de l'unité. N'utilisez pas de détergents puissants. Les nettoyeurs ménagers contenant des huiles aromatiques telles que le pin et le citron et des solvants tels que le kérosène peuvent endommager le boîtier ou la poignée en plastique. Esuyez toute trace d'humidité avec un chiffon doux. Enlever la poussière, la saleté et les résidus d'usinage avec un aspirateur approprié si nécessaire.

ESPACE DE RANGEMENT**ATTENTION:**

Éteignez l'interrupteur et retirez la fiche de la prise de courant pour ranger la machine.

Stockez l'appareil uniquement dans des zones sèches et bien ventilées.

Au cas où l'appareil serait stocké pendant une période prolongée, utilisez la procédure de stockage suivante:

1. Nettoyez soigneusement l'unité et inspectez les pièces détachées ou endommagées. Réparez ou remplacez les pièces endommagées et resserrez les vis, écrous ou boulons desserrés.
2. Lubrifiez et appliquez de la graisse, si nécessaire.
3. Stockez l'appareil dans son emballage d'origine.

PROTECTION ENVIRONNEMENTALE

Recyclez les matières premières au lieu de les éliminer en tant que déchets. La machine, les accessoires et l'emballage doivent être triés pour un recyclage respectueux de l'environnement. Les composants en plastique sont étiquetés pour un recyclage catégorisé.

Ce produit ne doit pas être jeté avec les déchets ménagers conformément à la législation relative aux déchets d'équipements électriques et électroniques. Ce produit doit être éliminé dans un point de collecte désigné. Cela peut se produire, par exemple, en le déposant dans un point de collecte agréé pour le recyclage des déchets d'équipements électriques et électroniques. Une mauvaise manipulation des équipements usagés peut avoir des conséquences négatives pour l'environ-

nement et la santé humaine en raison des substances potentiellement dangereuses qui sont souvent contenues dans les équipements électriques et électroniques. En vous débarrassant correctement de ce produit, vous contribuez également à une utilisation efficace des ressources naturelles.

Vous pouvez obtenir des informations sur les points de collecte des déchets d'équipements auprès de votre administration municipale, de l'autorité publique d'élimination des déchets, d'un organisme agréé pour l'élimination des déchets d'équipements électriques et électroniques ou de votre entreprise d'élimination des déchets.

GARANTIE

Ce produit est garanti conformément aux réglementations légales / nationales, en vigueur à compter de la date d'achat par le premier utilisateur. Les dommages attribuables à l'usure normale, à la surcharge ou à une mauvaise manipulation seront exclus de la garantie. En cas de réclamation, veuillez envoyer la machine, complètement assemblée, à votre revendeur ou au centre de service officiel.

ITALIANO

AVVERTENZE GENERALI DI SICUREZZA

Leggere e comprendere il manuale del proprietario prima di utilizzare questo prodotto. Puoi aiutare a prevenire gli incidenti acquisendo familiarità con i controlli del tuo prodotto e osservando procedure operative sicure e segnali di sicurezza. Usa sempre il tuo buon senso per evitare tutte le situazioni considerate oltre le tue capacità. Non utilizzare quando si è stanchi o sotto l'effetto di droghe, alcol o altri farmaci. Tenere lontani gli astanti e gli animali che potrebbero ferirsi, nonché gli oggetti che potrebbero essere danneggiati durante il funzionamento. Non consentire mai a bambini o persone che non hanno familiarità con queste istruzioni di utilizzare il prodotto. Le leggi locali possono limitare l'età minima dell'operatore. Tenere presente che l'operatore o l'utente è responsabile di incidenti o eventi imprevisti che si verificano ad altre persone, animali o loro proprietà. Non esporre il prodotto a umidità eccessiva, polvere, sporco o vapori corrosivi. Non montare apparecchiature o accessori sulla macchina non previsti o approvati dal costruttore. Non tentare mai di modificare il prodotto. Modifiche o accessori non autorizzati possono provocare gravi lesioni personali o la morte dell'operatore o di altri. Consultare il proprio rivenditore autorizzato per lo smontaggio e la manutenzione, non trattati in questo manuale. Se qualcosa si rompe o si verifica un incidente durante il lavoro, spegnere immediatamente la macchina e allontanarla per evitare ulteriori danni. Nel caso in cui un corpo estraneo sia entrato nella macchina, fermarla immediatamente, ispezionarla per eventuali danni ed eseguire le riparazioni prima di riavviarla.

ATTREZZATURA DI PROTEZIONE

Assicurarsi di utilizzare dispositivi di protezione appropriati e certificati durante il funzionamento dell'unità. Indossare sempre indumenti che non ostacolano i movimenti, guanti protettivi, occhiali, respiratore a semimaschera, protezioni per l'udito e stivali di sicurezza antitaglio con suola antiscivolo. Non indossare mai scarpe, collane o accessori e indumenti appesi o svolazzanti che potrebbero impigliarsi nella macchina. Lega i capelli se sono lunghi.

RISCHI DI INCENDIO E USTIONI

I malfunzionamenti delle apparecchiature elettriche possono causare scintille che potrebbero incendiare materiale infiammabile.

Assicurati di mantenere la tua area di lavoro pulita e in ordine e non usare la macchina vicino a materiale infiammabile. In caso di incendio, utilizzare un estintore appropriato.

Non toccare le parti rotanti e il trapano dopo il lavoro. Alcune superfici possono diventare molto calde durante l'uso e attendere che si raffreddino prima di toccarle.

CATEGORIA AVVERTENZE DI SICUREZZA

FUNZIONAMENTO SICURO

Tutte le leve di manovra della macchina devono spostarsi facilmente da una posizione all'altra e non devono necessitare di forzature. I cavi elettrici ed in particolare il cavo della spina principale devono essere in perfetto stato per evitare la generazione di scintille o il rischio di scosse elettriche. Le impugnature e i dispositivi di protezione devono essere puliti e asciutti nonché fissati saldamente alla macchina. Azionare la macchina con entrambe le mani. Assicurarsi di utilizzare sempre l'utensile corretto per ogni lavoro al fine di evitare guasti o lesioni alla macchina ed evitare di sovraccaricare la macchina. I valori di tensione e frequenza dell'alimentazione elettrica devono rientrare nelle specifiche della macchina. Accertarsi che l'interruttore della macchina sia spento quando si inserisce la spina, per evitare rischi dovuti ad accensioni accidentali. Rimuovere eventuali chiavi e chiavi dalla macchina prima di metterla in funzione.

Assicurati di spegnere la macchina e di scollegarla dalla rete:

- ▶ Durante il montaggio o la rimozione di accessori e strumenti.
- ▶ Ogni volta che si lascia la macchina incustodita.
- ▶ Durante la pulizia o la manutenzione.
- ▶ Durante il riposizionamento, il trasporto o lo stoccaggio della macchina.

In caso di malfunzionamento o inceppamento della macchina, spegnere immediatamente la macchina e rimuoverla dall'alimentazione. La macchina non deve essere riavviata se l'inceppamento non è stato eliminato o il malfunzionamento modificato, presso un centro di assistenza autorizzato quando necessario. La macchina potrebbe potenzialmente incepparsi quando:

- ▶ La macchina è sovraccarica.
- ▶ Il pezzo da lavorare è bloccato.

RISCHI ELETTRICI

Verificare che i cavi elettrici della macchina e la spina di alimentazione a cui è collegata siano in buono stato e non usurati. Non utilizzare mai una macchina danneggiata o una macchina con cavi elettrici e spine danneggiati o usurati. Non esporre la macchina e i cavi elettrici a condizioni di umidità e non toccare mai se bagnati. Utilizzare una presa di corrente con contatto a terra.

Non utilizzare il cavo per estrarre la spina dalla presa.

Per evitare danni al cavo di alimentazione, allontanare sempre il cavo di alimentazione dalla parte posteriore della macchina e proteggerlo da calore, olio e oggetti appuntiti. Quando la macchina deve essere utilizzata all'aperto, utilizzare solo prolunghe destinate all'uso esterno. La sezione trasversale di qualsiasi cavo di prolunga deve misurare almeno 1,5 mm² e il collegamento alla rete deve essere protetto da un fusibile appropriato.

PERICOLI DA PARTI ROTANTI

Le parti rotanti possono causare lesioni gravi. Evitare di entrare in contatto con le parti rotanti quando sono ancora in rotazione e assicurarsi di tenere lontano tutto ciò che potrebbe essere intrappolato nella macchina operativa, come capelli sciolti e indumenti. Tenere le mani lontane dall'area di lavorazione durante il funzionamento della macchina.

I pezzi da lavorare e gli strumenti possono rimbalzare e causare lesioni e danni alla proprietà. Assicurarsi che la macchina e gli strumenti siano sempre in buone condizioni. Utilizzare morsetti o una morsa per tenere saldamente in posizione il pezzo da lavorare. Non lavorare su oggetti troppo piccoli per essere fissati saldamente in posizione. Verificare il corretto allineamento delle parti in movimento e rotanti o altri guasti che potrebbero essere fonte di pericolo. Una protezione o altra parte danneggiata deve essere sostituita da un centro di assistenza autorizzato prima di utilizzare la macchina.

Non toccare le parti rotanti prima che si siano completamente fermate.

RISCHI DI RUMORE E VIBRAZIONI

I livelli di rumorosità riportati in queste istruzioni sono i livelli massimi per l'utilizzo della macchina. Una manutenzione insufficiente ha un impatto significativo sulle vibrazioni e sulle emissioni sonore. Di conseguenza, è necessario adottare misure preventive per eliminare possibili danni dovuti a livelli elevati di rumore e stress da vibrazioni. Effettuare una buona manutenzione della macchina, indossare dispositivi di protezione per le orecchie, guanti antivibranti e fare delle pause durante il lavoro.

PERICOLI DELL'AREA DI LAVORO

Ispezionare accuratamente l'intera area di lavoro e utilizzare un rastrello o una spazzola da giardino per rimuovere manualmente i detriti e rimuovere tutto ciò che potrebbe essere una fonte pericolosa per l'utente o causare danni alla macchina. Mantenere l'area di lavoro pulita e in ordine. Non utilizzare la macchina in condizioni di ambiente umido o quando la macchina stessa è bagnata. Tenere la macchina lontana da materiale infiammabile. Verificare che non vi siano astanti, animali o oggetti che potrebbero essere danneggiati nel raggio d'azione della macchina.

Operare solo in aree ben ventilate. Trucioli e segatura possono rappresentare un pericolo per la salute se inalati o a contatto con gli occhi. Indossare sempre un respiratore a semimaschera appropriato e occhiali protettivi quando si lavora con tali materiali e utilizzare un dispositivo di aspirazione della polvere.

Lavorare solo alla luce del giorno, o con luce artificiale adeguata, in condizioni di buona visibilità. Cercare di non causare alcun disturbo del rumore, utilizzando questa macchina solo in orari ragionevoli della giornata.

Assumi una posizione ferma ed equilibrata. Evitare ove possibile di lavorare su terreno bagnato,

sdruciolevole o comunque su terreno irregolare o scosceso che non garantisce stabilità all'operatore.

La conservazione degli strumenti non utilizzati deve essere effettuata in un luogo asciutto e sicuro, lontano dalla macchina in funzione e fuori dalla portata dei bambini.

RISCHI RESIDUI

La macchina è stata costruita utilizzando la tecnologia moderna e in conformità con le norme di sicurezza riconosciute. Anche quando tutte le misure di sicurezza sono in atto, possono essere presenti alcuni pericoli rimanenti, che non sono ancora evidenti. L'operatore deve usare il buon senso e prendere le precauzioni necessarie per evitare il rischio dovuto ai pericoli rimanenti.

SPECIFICHE DEL PRODOTTO

USO PREVISTO

Questa macchina è progettata e prodotta per la lavorazione di pezzi da lavorare mediante foratura ad es. pezzi di legno, plastica, metallo e materiali simili. Non è progettato per un uso commerciale pesante.

Ogni altro utilizzo diverso da quelli sopra indicati potrebbe essere pericoloso, arrecare danno a persone e / o cose e alla macchina stessa.

USO IMPROPRIO

La macchina non deve essere utilizzata per la lavorazione di materiali pericolosi, ad es. accumulo di prodotti infiammabili o esplosivi e qualsiasi altro oggetto che possa essere pericoloso per la macchina stessa nonché per l'operatore, le persone presenti, gli animali o le cose.

Altri esempi di uso improprio possono includere, ma non sono limitati, al funzionamento della macchina:

- ▶ Senza gli accessori originali forniti dal produttore.
- ▶ Con accessori originali ma in un modo non conforme alle istruzioni.
- ▶ Senza ricambi originali.
- ▶ Con modifiche non autorizzate.

NOTA:

Secondo le leggi applicabili sulla responsabilità del prodotto, il produttore del dispositivo non si assume alcuna responsabilità per danni al prodotto o danni causati dal prodotto che si verificano a causa di:

- ▶ Uso improprio non rispettate le istruzioni per l'uso.
- ▶ Riparazioni da parte di terzi e non da tecnici dell'assistenza autorizzati.
- ▶ Installazione di parti di ricambio non originali.
- ▶ Uso non previsto.
- ▶ Guasto all'impianto elettrico dovuto all'alimentazione della macchina in modo non conforme alle normative elettriche e VDE.

DATI TECNICI			
Numero dell'articolo		45 938	45 939
Modello		DPB 16/12 PLUS	DPF 16/12 PLUS
Tensione nominale	V	230-240	230-240
Frequenza nominale	Hz	50	50
Potenza	W	550 (S1)	550 (S1)
Numero di velocità		12	12
Gamma di velocità	rpm	230-2.500	220-2.600
Capacità massima del mandrino	mm	13	13
Colpo di chuck	mm	60	80
Swing	mm	250	340
Dimensioni tabella di lavoro (L x W)	mm	190 x 190	255 x 255
Regolazione dell'angolo della tabella di lavoro		-45°- 0°- 45°	-45°- 0°- 45°
Diametro colonna	mm	59,5	70
Dimensioni di base (L x W)	mm	334 x 203	428 x 255
Livello di pressione sonora (LpA)	db(A)	70,7	73,8
Livello di potenza sonora (LwA)	db(A)	84,5	86,8
Incertezza (K)	dB	3	3
Altezza	mm	840	1.610
Peso netto	kg	25	46

IDENTIFICAZIONE (FIG. 1, 2)

1. Piede della macchina
2. Colonna
3. Maniglia di serraggio
4. Tavolo di foratura
5. Il motore
6. Impugnatura di bloccaggio per la tensione della cinghia

7. Copri cinghia trapezoidale
8. Interruttore di arresto di emergenza
9. Maniglia di alimentazione a tre razze
10. Protezione pieghevole
11. Mandrino trapano chiave
12. Testa della macchina
13. Indicatore di profondità con stop
14. Manovella
15. Vite esagonale

FUNZIONAMENTO

PREPARAZIONE DELL'UNITÀ

Il disimballaggio e il completamento dell'assemblaggio devono essere effettuati su una superficie piana e stabile, con spazio sufficiente per lo spostamento della macchina e del suo imballaggio, utilizzando sempre attrezzature adeguate.

Contenuto della confezione:

- ▶ Piedino della macchina (x1) (Fig. 2.1)
- ▶ Colonna (x1) (Fig. 2.2)
- ▶ Maniglia di serraggio (x1) (Fig. 2.3)
- ▶ Tabella di foratura (x1) (Fig. 2.4)
- ▶ Maniglia di alimentazione (x3) (Fig. 2.9)
- ▶ Protezione pieghevole (x1) (Fig. 2.10)
- ▶ Mandrino portapunta (x1) (Fig. 2.11)
- ▶ Testa della macchina (x1) (Fig. 2.12)
- ▶ Manovella (x1) (Fig. 2.14)
- ▶ Vite esagonale (x4) (Fig. 2.15)
- ▶ Chiave a brugola (x2) (Fig. 2.A, 2.B)

Per montare la macchina:

AVVERTIMENTO:

Tutte le regolazioni necessarie per il buon funzionamento della vostra macchina sono state eseguite in fabbrica. Non modificarli. Tuttavia, a causa di una normale usura dello strumento, potrebbero essere necessarie alcune regolazioni.

AVVERTIMENTO:

Scollegare sempre la macchina dalla presa di corrente prima di qualsiasi regolazione.

Colonna e piede della macchina (Fig.3):

Appoggiare il piede della macchina (1) a terra o sul banco da lavoro. Posizionare la colonna (2) sulla piastra di base in modo che i fori sulla colonna (2) siano allineati con i fori sulla piastra di base (1). Avvitare le quattro viti esagonali per fissare la colonna nella piastra di base e serrare utilizzando una chiave esagonale.

Installazione del supporto della tavola di foratura (Fig. 4-7):

1. Per installare il trapano, è necessario prima rimuovere la cremagliera (C). Utilizzare una chiave a brugola per rimuovere l'anello (D) ed estrarlo dalla colonna (2). Ora estrarre la griglia (C).
2. Inserire la cremagliera (C) nella scanalatura sul supporto della tavola di foratura (4).
3. Allineare la cremagliera (C) centralmente rispetto al supporto della tavola di foratura (4).
4. Quando si riunisce la cremagliera (C) all'interno della scanalatura, assicurarsi che l'ingranaggio dei denti tra la cremagliera e il supporto della tavola di foratura (4) sia corretta.

5. Posizionare ora il supporto della tavola di foratura (4) con la cremagliera (C) sulla colonna (2) e guidare la cremagliera (C) nella guida della cremagliera inferiore sul piede della colonna.
6. Utilizzare l'anello (D) per fissare il rack (C). Assicurarsi che la guida della cremagliera sull'anello (D) sia rivolta verso il basso. Stringere le viti a brugola integrata per fissare l'anello (D).
7. Posizionare la manovella (14) sull'albero del supporto della tavola di foratura (4) e fissarla con la vite a brugola. A tale scopo, utilizzare la chiave a brugola (B).
8. Avvitare una delle maniglie di bloccaggio (3) nel supporto della tavola di foratura (4).

Installazione della testa e della colonna della macchina (Fig.8):

Posizionare la testa della macchina (12) sulla colonna (2). Allineare il mandrino del trapano con il tavolo e la piastra di base e serrare la vite a brugola che si trova sul lato della testa della macchina. A tale scopo, utilizzare la chiave a brugola (A).

Installazione delle maniglie (Fig. 9):

Avvitare le tre maniglie (9) saldamente nel rack delle maniglie. Usa la chiave esagonale per farlo.

Installazione della protezione pieghevole e del mandrino del trapano (Fig.11):

Spingere la protezione pieghevole (10) sul mandrino sulla testa della macchina e utilizzare un cacciavite con testa "Phillips" per fissarla.

Installazione del mandrino (Fig.12):

Pulire il foro conico nel mandrino (11) e il cono del mandrino con un pezzo di tessuto pulito. Assicurarsi che non vi siano particelle estranee su di esso, poiché il minimo pezzo di sporco impedirà al mandrino di essere posizionato correttamente, causando l'oscillazione della punta del trapano. Spingere il mandrino verso l'alto sul naso del mandrino il più lontano possibile. Girare il manicotto del mandrino in senso antiorario (se visto dall'alto) e aprire completamente le ganasce nel mandrino. Posizionare un pezzo di legno sul tavolo della macchina e abbassare il mandrino sul pezzo di legno. Premere con decisione per assicurarsi che il montaggio del mandrino sia eseguito correttamente.

NOTA:

Tutte le parti nude sono ingrassate per proteggerle dalla corrosione. Prima di montare il mandrino portapunta sul mandrino, entrambe le parti devono essere completamente sgrassate utilizzando un solvente ecologico. Ciò garantisce una trasmissione ottimale della potenza.

Installazione della macchina:

Prima di utilizzare il trapano per la prima volta, deve essere montato in posizione fissa su una superficie stabile. Utilizzare entrambi i fori di montaggio nella piastra di base per farlo. Assicurarsi che la macchina sia liberamente accessibile per il funzionamento, la regolazione e la manutenzione.

AVVERTIMENTO:

Le viti di fissaggio possono essere serrate solo fino al

punto in cui non distorcono o deformano la piastra di base. Una tensione eccessiva può portare a fratture.

NOTA:

Il motore elettrico installato è completamente cablatto pronto per il funzionamento. Il collegamento del cliente al sistema di alimentazione e gli eventuali cavi di prolunga che possono essere utilizzati devono essere conformi alle normative locali. Verificare regolarmente che i cavi di collegamento elettrico non siano danneggiati. Assicurarsi che il cavo sia scollegato dalla rete durante il controllo. I cavi di collegamento elettrico devono essere conformi alle normative applicabili nel proprio paese.

Motore monofase:

- ▶ La tensione di rete deve coincidere con la tensione specificata sulla targhetta del motore.
- ▶ I cavi di dimensioni fino a una lunghezza di 25 m devono avere una sezione trasversale di 1,5 mm² e oltre 25 m almeno 2,5 mm².
- ▶ Il collegamento alla rete deve essere protetto con un opportuno fusibile lento.

NOTA:

Il motore si spegne automaticamente in caso di sovraccarico. Il motore può essere riacceso dopo un periodo di raffreddamento che può variare.

AVVERTIMENTO:

Collegare la macchina solo a una presa con il contatto di terra correttamente installato.

FUNZIONAMENTO DELL'UNITÀ

AVVERTIMENTO:

Per la propria sicurezza, mantenere l'interruttore della macchina in posizione di spegnimento durante l'esecuzione di una delle procedure seguenti. La macchina deve essere accesa, solo se uno specifico passaggio della procedura lo prevede e solo per quel particolare passaggio.

Installazione di punta da trapano:

AVVERTIMENTO:

Solo utensili cilindrici con il diametro dell'albero massimo stabilito possono essere bloccati nel mandrino a spirale. Utilizzare solo uno strumento affilato e privo di difetti. Non utilizzare strumenti il cui albero sia danneggiato o che sia deformato o imperfetto in altro modo. Utilizzare solo accessori e collegamenti specificati nelle istruzioni per l'uso o approvati dal produttore. Se il trapano a colonna dovesse incepparsi, spegnere la macchina e riportare il trapano nella posizione di partenza.

Inserire la punta del trapano nel mandrino abbastanza a fondo per ottenere la massima presa delle ganasce del mandrino. Quando si utilizza una punta da trapano piccola, non inserirla fino a che le ganasce tocchino le scanalature a spirale della punta. Assicurarsi che la punta del trapano sia centrata nel mandrino prima di serrare il mandrino con la chiave del mandrino. Stringere sufficientemente il mandrino del trapano, in modo che la punta del trapano non scivoli durante la foratura.

Girare la chiave del mandrino in senso orario per stringere, in senso antiorario per allentare.

NOTA:

Il trapano a colonna è dotato di un mandrino senza chiave. Ciò consente di cambiare gli strumenti senza la necessità di una chiave del mandrino aggiuntiva. A tal fine, inserire l'utensile nel mandrino a cambio rapido e serrare a mano.

Regolazione della velocità (Fig.1):

La velocità di funzionamento della macchina è regolabile in continuo.

NOTA:

Le regolazioni della velocità sono consentite solo quando il motore è in funzione e al minimo.

Spostare lentamente e costantemente la leva di controllo della velocità (6) mentre la macchina è in modalità di riposo. Assicurarsi che la macchina possa funzionare senza interruzioni (ad es. Rimuovere pezzi da lavorare, punte da trapano, ecc.).

AVVERTIMENTO:

Non lasciare mai correre il trapano a colonna quando il coperchio della cinghia trapezoidale è aperto. Staccare sempre la spina di alimentazione prima di aprire il coperchio. Non toccare mai la cinghia trapezoidale quando è in rotazione.

Stop profondità di foratura (Fig.13):

Il mandrino di foratura ha un anello graduato orientabile (17) per l'impostazione della profondità di foratura. Regolare l'impostazione solo quando l'apparecchiatura è ferma.

1. Premere il mandrino di foratura verso il basso finché la punta della punta del trapano non tocca il pezzo da lavorare.
2. Allentare la vite di fissaggio (13) e ruotare in avanti l'anello graduato (17) fino all'arresto.
3. Ruotare nuovamente l'anello della scala (17) alla profondità di foratura desiderata, quindi bloccare questa impostazione in posizione utilizzando la vite di bloccaggio (13).

NOTA:

Quando si imposta la profondità di foratura di un foro cilindrico, è necessario aggiungere la lunghezza della punta del trapano.

Regolazione dell'angolo della tavola di foratura

(Fig.14):

Allentare il bullone del carrello (18) sotto la tavola di perforazione. Impostare la tavola di perforazione all'angolazione desiderata. Serrare il bullone del carrello (18) per bloccare la tavola di perforazione in questa posizione.

Regolazione dell'altezza della tavola di foratura

(Fig.15):

Allentare la vite di serraggio (3). Regolare il piano di foratura nella posizione desiderata con l'aiuto della manovella (14). Riavvitare la vite di serraggio (3).

Regolazione della molla di richiamo del mandrino

(Fig.16):

Potrebbe essere necessario regolare la molla di richiamo del mandrino perché la sua tensione è cambiata e il mandrino torna indietro troppo velocemente o troppo lentamente. Fare così:

1. Abbassa il tavolo per avere più spazio di lavoro.

2. Lavora sul lato sinistro del trapano.
3. Inserire un cacciavite nella scanalatura anteriore inferiore (1) e trattenerlo.
4. Rimuovere il dado esterno (3) con una chiave.
5. Con il cacciavite ancora nel dado, allentare il dado interno (4) fino a staccare la tacca dal mozzo (6).

AVVERTIMENTO:

La primavera è in tensione.

6. Ruotare con cautela il cappuccio della molla (2) in senso antiorario con il cacciavite fino a quando non si riesce a premere il dado (1) nel mozzo (6).
7. Abbassare il mandrino nella posizione più bassa e mantenere il cappuccio della molla (2) in posizione. Quando il mandrino si muove su e giù come si desidera, serrare nuovamente il dado interno (4).
8. Se è troppo lento, ripeti i passaggi 3-5. Se è troppo stretto, inverti il passaggio 6.
9. Fissare il dado esterno (3) contro il dado interno (4) con una chiave fissa.

NOTA:

Non stringere eccessivamente e non limitare il movimento del mandrino.

Il funzionamento assiale del mandrino (Fig.17):

Quando il mandrino è nella posizione inferiore, ruotarlo a mano. Se trovi che l'operazione è troppo grande, procedi come segue:

1. Allentare il controdado (19).
2. Ruotare le vite in senso orario (20), per equilibrare l'operazione, senza interferire con il movimento di salita e discesa del mandrino (una piccola operazione è normale).
3. Stringere nuovamente il controdado (19).

Posizionamento del pezzo da lavorare:

Come regola generale, utilizzare una morsa da macchina o un altro dispositivo di bloccaggio adatto per fissare un pezzo in posizione. Non tenere mai il pezzo da lavorare in posizione con la mano. Durante la foratura, il pezzo da lavorare dovrebbe essere in grado di spostarsi sulla tavola di perforazione per scopi autocentranti. Assicurarsi che il pezzo da lavorare non possa ruotare. Ciò si ottiene al meglio posizionando il pezzo da lavorare / la morsa della macchina su un blocco robusto.

NOTA:

Le parti in lamiera devono essere fissate per evitare che vengano strappate. Impostare correttamente l'altezza e l'angolo della tavola di foratura per ogni pezzo da lavorare. Deve esserci una distanza sufficiente tra il bordo superiore del pezzo da lavorare e la punta della punta del trapano.

NOTA:

Posizionare un pezzo di materiale di supporto (ad esempio legno) sul tavolo sotto il pezzo da lavorare. Ciò eviterà la rottura o la formazione di una bava pesante sul lato inferiore dei pezzi da lavorare quando la punta del trapano si rompe.

AVVERTIMENTO:

Per evitare che il materiale di backup ruoti senza controllo, deve entrare in contatto con il lato sinistro della colonna come illustrato. Se il pezzo da lavorare

o il materiale di supporto non è abbastanza lungo da raggiungere la colonna, fissarli al tavolo. In caso contrario, potrebbero verificarsi lesioni personali.

NOTA:

Per pezzi piccoli che non possono essere fissati al tavolo, utilizzare una morsa per trapano a colonna (accessorio opzionale). La morsa deve essere fissata o imbullonata al tavolo per evitare lesioni dovute a rotazione o rottura.

Scelta della velocità:

Assicurati di perforare alla velocità corretta. La velocità di perforazione dipende dal diametro della punta elicoidale e dal materiale in questione. La tabella seguente funge da guida per la selezione della velocità corretta per vari materiali:

Punta trapano ø	Ghisa	Acciaio	Ferro	Alluminio	Bronzo
3	2.550	1.600	2.230	9.500	8.000
4	1.900	1.200	1.680	7.200	6.000
5	1.530	955	1.340	5.700	4800
6	1.270	800	1.100	4.800	4.000
7	1.090	680	960	4.100	3.400
8	960	600	840	3.600	3.000
9	850	530	740	3.200	2.650
10	765	480	670	2.860	2.400
11	700	435	610	2.600	2.170
12	640	400	560	2.400	2.000
13	590	370	515	2.200	1.840
14	545	340	480	2.000	1.700
16	480	300	420	1.800	1.500
18	425	265	370	1.600	1.300
20	380	240	335	1.400	1.200
22	350	220	305	1.300	1.100
25	305	190	270	1.150	950

NOTA:

Le velocità di perforazione sopra specificate sono solo valori suggeriti.

Svasatura e foratura al centro:

Con questo trapano da tavolo, puoi anche svasare e trapanare da centro. Si prega di notare che la svasatura deve essere eseguita alla velocità più bassa, mentre per la foratura al centro è richiesta una velocità elevata.

MANUTENZIONE E PULIZIA**AVVERTIMENTO:**

Per la propria sicurezza, spegnere l'interruttore e rimuovere la spina dalla presa di corrente prima di qualsiasi operazione di manutenzione sul trapano a colonna.

Mantieni pulito il tuo apparecchio. Per evitare danni al motore, soffiare o aspirare frequentemente que-

sto motore per evitare che la polvere del trapano a colonna interferisca con la normale ventilazione del motore.

CAVO DI ALIMENTAZIONE

Per evitare il rischio di scosse elettriche o incendi, se il cavo di alimentazione è danneggiato, tagliato o danneggiato in qualsiasi modo, farlo sostituire immediatamente.

Cavi di collegamento elettrico difettosi:

I cavi di collegamento elettrico spesso subiscono danni all'isolamento. Le possibili cause sono:

1. Punzonare i punti quando i cavi di collegamento passano attraverso le fessure di finestre o porte.
2. Attorcigliamenti dovuti a collegamento o posa errati del cavo di collegamento.
3. Tagli derivanti dallo scorrere sul cavo di collegamento.
4. Danni all'isolamento causati dall'estrazione forzata dalla presa a muro.
5. Crepe dovute all'invecchiamento dell'isolamento.

Tali cavi di collegamento elettrico difettosi non devono essere utilizzati in quanto i danni all'isolamento li rendono estremamente pericolosi.

LUBRIFICAZIONE

Lubrificare periodicamente le parti in movimento.

PULIZIA

Utilizzare una piccola spazzola morbida per pulire l'esterno dell'unità. Non utilizzare detergenti aggressivi. I detergenti per la casa che contengono oli aromatici come pino e limone e solventi come il cherosene possono danneggiare l'involucro o il manico in plastica. Rimuovere l'umidità con un panno morbido. Rimuovere polvere, sporco e residui di lavorazione con un aspirapolvere appropriato se necessario.

CONSERVAZIONE AVVERTIMENTO:

Spegnere l'interruttore e rimuovere la spina dalla presa di corrente per riporre la macchina.

Conservare l'unità solo in aree asciutte e ben ventilate.

Nel caso in cui l'unità venga conservata per un periodo di tempo prolungato, utilizzare la seguente procedura di conservazione:

1. Pulire accuratamente l'unità e ispezionare eventuali parti allentate o danneggiate. Riparare o sostituire le parti danneggiate e serrare viti, dadi o bulloni allentati.
2. Lubrificare e applicare grasso, se necessario.
3. Conservare l'unità nella sua confezione originale.

PROTEZIONE AMBIENTALE

Ricicla le materie prime invece di smaltirle come rifiuti. La macchina, gli accessori e l'imballaggio devono essere selezionati per il riciclaggio rispettoso dell'ambiente. I componenti in plastica sono

etichettati per il riciclaggio classificato.

Questo prodotto non deve essere smaltito insieme ai rifiuti domestici in conformità alla normativa relativa ai rifiuti di apparecchiature elettriche ed elettroniche. Questo prodotto deve essere smaltito presso un punto di raccolta designato. Ciò può avvenire, ad esempio, consegnandolo presso un punto di raccolta autorizzato per il riciclaggio di apparecchiature elettriche ed elettroniche. La manipolazione impropria dei rifiuti di apparecchiature può avere conseguenze negative per l'ambiente e la salute umana a causa di sostanze potenzialmente pericolose che sono spesso contenute nelle apparecchiature elettriche ed elettroniche. Smaltendo correttamente questo prodotto, contribuisce anche all'uso efficace delle risorse naturali.

È possibile ottenere informazioni sui punti di raccolta delle apparecchiature di scarto dall'amministrazione comunale, dall'autorità pubblica per lo smaltimento dei rifiuti, da un ente autorizzato per lo smaltimento di apparecchiature elettriche ed elettroniche o dalla società di smaltimento dei rifiuti.

GARANZIA

Questo prodotto è garantito in conformità con le normative legali / specifiche del paese, in vigore dalla data di acquisto da parte del primo utente. I danni attribuibili alla normale usura, sovraccarico o uso improprio saranno esclusi dalla garanzia. In caso di reclamo, inviare la macchina, completamente assemblata, al proprio rivenditore o al centro di assistenza ufficiale.

ΕΛΛΗΝΙΚΑ

ΓΕΝΙΚΕΣ ΠΡΟΕΙΔΟΠΟΙΗΣΕΙΣ ΑΣΦΑΛΕΙΑΣ

Διαβάστε και κατανοήστε αυτό το εγχειρίδιο κατόχου προτού θέσετε σε λειτουργία το παρόν μηχανήμα. Μπορείτε να αποφύγετε ατυχήματα αν είστε εξοικειωμένοι με τα χειριστήρια του προϊόντος και τηρώντας τις ασφαλείς διαδικασίες λειτουργίας. Χρησιμοποιείτε πάντα κοινή λογική σκέψη ώστε να αποφύγετε να βρεθείτε σε κατάσταση πέρα των δυνατοτήτων σας. Μη χρησιμοποιείτε το προϊόν όταν είστε κουρασμένοι ή υπό την επίδραση ναρκωτικών, αλκοόλ ή άλλων φαρμακευτικών σκευασμάτων. Κρατείστε παιδιά και τυχόν παρευρισκόμενους μακριά κατά τη λειτουργία του μηχανήματος. Μη επιτρέψετε σε παιδιά ή όσους δεν είναι εξοικειωμένοι με τις οδηγίες χρήσης να χρησιμοποιήσουν το μηχανήμα. Η τοπική νομοθεσία είναι πιθανόν να ορίζει κατώτατη ηλικία χρήστη. Πάντα να θυμάστε πως ο χειριστής ή χρήστης είναι υπεύθυνος για ατυχήματα ή απόρροια γεγονότα που τυχόν προκληθούν κατά τη λειτουργία σε άλλους ανθρώπους, ζώα ή την περιοχή τους. Μην εκθέτετε το προϊόν σε υπερβολική υγρασία, σκόνη, βρωμιά ή διαβρωτικούς ατμούς. Μην προσαρμόζετε στο μηχανήμα εξοπλισμό ή αξεσουάρ που μη εγκεκριμένα από τον κατασκευαστή. Ποτέ μην επιχειρήσετε να τροποποιήσετε το προϊόν. Μη εξουσιοδοτημένες τροποποιήσεις ή αξεσουάρ μπορεί να οδηγήσουν σε σοβαρό τραυματισμό ή θάνατο του χειριστή ή άλλων. Συμβουλευτείτε τον εξουσιοδοτημένο αντιπρόσωπό σας για αποσυμπαρόληση και επισκευή, που δεν καλύπτεται σε αυτό το εγχειρίδιο. Εάν κάτι σπάσει ή συμβεί ατύχημα κατά τη διάρκεια της εργασίας, απενεργοποιήστε αμέσως το μηχανήμα και μετακινήστε το για να αποφύγετε περαιτέρω ζημιές. Σε περίπτωση που ένα ξένο σώμα εισέλθει στο μηχανήμα, σταματήστε το αμέσως, επιθεωρήστε το για τυχόν ζημιές και πραγματοποιήστε επισκευές προτού το ξαναρχίσετε.

ΠΡΟΣΤΑΤΕΥΤΙΚΟΣ ΕΞΟΠΛΙΣΜΟΣ

Να χρησιμοποιείτε πάντα σχετικό και εγκεκριμένο προστατευτικό εξοπλισμό όταν χρησιμοποιείτε το μηχανήμα. Να φοράτε πάντα ρουχισμό που δεν περιορίζει τις κινήσεις σας, προστατευτικά γάντια, γυαλιά, μάσκα αναπνοής, προστατευτικό εξοπλισμό ακοής και μπότες προστασίας με σόλες υψηλής πρόσφυσης. Να μην φοράτε κασκόλ, κολλή ή οπουδήποτε αξεσουάρ που κρέμεται ή περισσεύει και θα μπορούσε να παγιδευτεί στο μηχανήμα. Μαζέψτε τα μαλλιά σας αν είναι μακριά.

ΚΙΝΔΥΝΟΙ ΠΡΟΚΛΗΣΗΣ ΠΥΡΚΑΓΙΑΣ ΚΑΙ ΕΓΚΑΥΜΑΤΟΣ

Δυσλειτουργίες ηλεκτρικού εξοπλισμού μπορεί να προκαλέσουν σπινθήρες που θα μπορούσαν να αναφλέξουν εύφλεκτα υλικά. Βεβαιωθείτε ότι διατηρείτε την περιοχή εργασίας σας καθαρή και τακτοποιημένη και μην χρησιμοποιείτε το μηχανήμα κοντά σε εύφλεκτα υλικά. Σε περίπτωση πυρκαγιάς, χρησιμοποιήστε τον κατάλληλο πυροσβεστήρα.

Μην αγγίζετε τα περιστρεφόμενα μέρη και το εργαλείο κοπής μετά την εργασία. Ορισμένες επιφάνειες μπορεί να ζεσταθούν πολύ κατά τη χρήση και θα πρέπει να δοθεί χρόνος για να κρυώσουν πριν τις αγγίξετε.

ΠΡΟΕΙΔΟΠΟΙΗΣΕΙΣ ΑΣΦΑΛΕΙΑΣ ΚΑΤΗΓΟΡΙΑΣ

ΑΣΦΑΛΗΣ ΛΕΙΤΟΥΡΓΙΑ

Όλοι οι μοχλοί λειτουργίας του μηχανήματος πρέπει να μετακινούνται εύκολα μεταξύ των θέσων τους και να μη κινείται πίσω. Τα ηλεκτρικά καλώδια και ειδικά το καλώδιο της παροχής πρέπει να είναι σε άριστη κατάσταση για αποφυγή σπινθήρων ή του ρίσκου ηλεκτροσόκ. Οι χειρολαβές και οι προστασίες του μηχανήματος πρέπει να είναι καθαρές, στεγνές και επαρκώς σφιγμένες στις θέσεις τους στο μηχανήμα. Χειριστείτε το μηχανήμα και με τα δύο χέρια. Βεβαιωθείτε ότι χρησιμοποιείτε πάντα το σωστό εργαλείο για κάθε εργασία, προκειμένου να αποφύγετε βλάβη του μηχανήματος ή τραυματισμό και αποφύγετε την υπερφόρτωση του μηχανήματος. Οι τιμές τάσης και συχνότητας της παροχής ηλεκτρικής ενέργειας πρέπει να είναι εντός των προδιαγραφών του μηχανήματος. Βεβαιωθείτε ότι ο διακόπτης του μηχανήματος είναι σβησμένος όταν το συνδέετε στη πρίζα, προκειμένου να αποφύγετε τυχόν κίνδυνο λόγω ακούσιας εκκίνησης. Αφαιρέστε τυχόν κλειδιά και εργαλεία από το μηχανήμα πριν από τη λειτουργία.

Σιγουρευτείτε πως έχετε σταματήσει το μηχανήμα και πως το έχετε αποσυνδέσει από την παροχή ρεύματος:

- Όταν προσαρμόζετε ή αφαιρείτε αξεσουάρ.
- Όποτε αφήνετε το μηχανήμα χωρίς επίβλεψη.
- Κατά τον καθαρισμό ή τη συντήρησή.
- Κατά την αλλαγή θέσεως, μεταφορά ή απόθηκευση του μηχανήματος.

Σε περίπτωση δυσλειτουργίας ή εμπλοκής του μηχανήματος, απενεργοποιήστε αμέσως το μηχανήμα και αφαιρέστε το από την πηγή τροφοδοσίας. Το μηχανήμα δεν πρέπει να ξεκινήσει ξανά εάν δεν επιλυθεί η εμπλοκή ή η δυσλειτουργία, σε εξουσιοδοτημένο κέντρο σέρβις, όταν χρειάζεται. Το μηχανήμα ενδέχεται να μπλοκάρει όταν:

- Το μηχανήμα υπερφορτωθεί.
- Το αντικείμενο προς κατεργασία μπλοκαριστεί.

ΚΙΝΔΥΝΟΙ ΗΛΕΚΤΡΙΣΜΟΥ

Βεβαιωθείτε ότι τα ηλεκτρικά καλώδια του μηχανήματος και η πρίζα, στην οποία είναι συνδεδεμένο, είναι σε καλή κατάσταση και δεν έχουν φθαρεί. Μη χρησιμοποιείτε ποτέ ένα μηχανήμα με βλάβη ή ένα μηχανήμα με καεστραμμένα ή φθαρμένα ηλεκτρικά καλώδια και βύσματα. Μην εκθέτετε το μηχανήμα και τα ηλεκτρικά καλώδια σε υγρές συνθήκες και μην αγγίζετε ποτέ όταν είναι βρεγμένο. Χρησιμοποιήστε μια πρίζα με επαφή γείωσης. Μην τραβήξετε το καλώδιο για να αφαιρέσετε το βύσμα από την πρίζα.

Για να αποφύγετε τυχόν ζημιά στο καλώδιο

τροφοδοσίας, οδηγείτε πάντα το καλώδιο τροφοδοσίας μακριά από το πίσω μέρος του μηχανήματος και προστατεύστε το από θερμότητα, λάδι και αιχμηρά αντικείμενα. Όταν το μηχανήμα πρόκειται να χρησιμοποιηθεί σε εξωτερικούς χώρους, χρησιμοποιήστε μόνο καλώδια επέκτασης που προορίζονται για εξωτερική χρήση. Η διατομή οποιοδήποτε καλωδίου επέκτασης πρέπει να είναι τουλάχιστον 1,5 mm² και η σύνδεση δικτύου πρέπει να προστατεύεται από κατάλληλη ασφάλεια.

ΚΙΝΔΥΝΟΙ ΠΕΡΙΣΤΡΕΦΟΜΕΝΩΝ ΜΕΡΩΝ

Τα περιστρεφόμενα μέρη μπορεί να προκαλέσουν σοβαρό τραυματισμό. Αποφύγετε να έρθετε σε επαφή με τα περιστρεφόμενα μέρη όταν βρίσκονται ακόμη σε περιστροφή και βεβαιωθείτε ότι διατηρείτε μακριά οτιδήποτε μπορεί να παγιδευτεί στο εν λειτουργία μηχανήμα, όπως χαλαρά μαλλιά και ρούχα. Κρατήστε τα χέρια σας μακριά από την περιοχή μηχανικής επεξεργασίας κατά τη λειτουργία του μηχανήματος.

Τα αντικείμενα προς κατεργασία και τα εργαλεία μπορούν να εξοστρακισθούν και να προκαλέσουν τραυματισμό και υλικές ζημιές. Βεβαιωθείτε ότι το μηχανήμα και τα εργαλεία είναι πάντα σε καλή κατάσταση. Χρησιμοποιήστε σφικτήρες ή μέγγενη για να κρατήσετε το αντικείμενο προς κατεργασία σταθερά στη θέση του. Μην εργάζεστε σε αντικείμενα που είναι πολύ μικρά για να στερεώσουν με ασφάλεια στη θέση τους. Ελέγξτε ότι είναι σωστή η ευθυγράμμιση κινουμένων και περιστρεφόμενων εξαρτημάτων και για τυχόν αστοχίες που θα μπορούσαν να αποτελέσουν πηγή κινδύνου. Ένας προφυλακτήρας ή άλλο μέρος με ζημιά πρέπει να αντικατασταθεί από εξουσιοδοτημένο κέντρο σέρβις πριν από τη λειτουργία του μηχανήματος. Μην αγγίζετε τα περιστρεφόμενα μέρη πριν σταματήσουν τελείως.

ΚΙΝΔΥΝΟΙ ΘΟΥΡΥΒΟΥ ΚΑΙ ΔΟΝΗΣΕΩΝ

Τα επίπεδα θορύβου που αναφέρονται σε αυτές τις οδηγίες είναι τα μέγιστα επίπεδα για τη χρήση του μηχανήματος. Η ανεπαρκής συντήρηση έχει σημαντικό αντίκτυπο στις εκπομπές κραδασμών και θορύβου. Κατά συνέπεια, είναι απαραίτητο να ληφθούν προληπτικά μέτρα για την εξάλειψη πιθανής ζημιάς λόγω υψηλών επιπέδων θορύβου και πίεσης από κραδασμούς. Συντηρήστε καλά το μηχανήμα, φοράτε συσκευές προστασίας ακοής, γάντια κατά των κραδασμών και κάντε διαλείμματα ενώ εργάζεστε.

ΚΙΝΔΥΝΟΙ ΣΧΕΤΙΚΟΙ ΜΕ ΤΗΝ ΠΕΡΙΟΧΗ ΕΡΓΑΣΙΑΣ

Επιθεωρήστε διεξοδικά ολόκληρο το χώρο εργασίας και χρησιμοποιήστε μια τσουγκράνα ή σκούπα για να χαλαρώσετε τυχόν υπολείμματα και να αφαιρέσετε οτιδήποτε μπορεί να αποτελέσει πηγή κινδύνου για εσάς ή να προκαλέσει βλάβη στο μηχανήμα. Διατηρείτε το χώρο εργασίας καθαρό και τακτοποιημένο. Μη χρησιμοποιείτε το μηχανήμα σε υπέρ συμθής περιβάλλοντος ή όταν το ίδιο το μηχανήμα είναι

βρεγμένο. Διατηρείτε το μηχανήμα μακριά από εύφλεκτα υλικά. Ελέγξτε ότι δεν υπάρχουν παρευρισκόμενοι, κατοικίδια ζώα ή αντικείμενα που θα μπορούσαν να υποστούν ζημιά στο εύρος της περιοχής εργασίας του μηχανήματος.

Λειτουργήστε μόνο σε καλά αεριζόμενους χώρους. Τα ριπίσματα και η σκόνη πριονιού μπορεί να είναι επικίνδυνα για την υγεία όταν εισπνέονται ή έρχονται σε επαφή με τα μάτια. Να φοράτε πάντα κατάλληλη προστατευτική μάσκα αναπνοής και προστατευτικά γυαλιά όταν εργάζεστε με τέτοια υλικά και χρησιμοποιήστε μια συσκευή εξαγωγής σκόνης.

Εργαστείτε μόνο κατά τη διάρκεια της ημέρας ή με καλό τεχνητό φως σε καλές συνθήκες ορατότητας. Προσπαθήστε να μην προκαλέσετε αναταραχή λόγω θορύβου, χρησιμοποιώντας το μηχανήμα μόνο σε λογικές ώρες της ημέρας.

Διατηρείτε γερή και καλή ισορροπία θέσης εργασίας. Όπου είναι δυνατόν, αποφύγετε να εργάζεστε σε υγρό, ολισθηρό έδαφος ή σε κάθε περίπτωση σε ανώμαλο ή απότομο έδαφος που δεν εγγυάται σταθερότητα για τον χειριστή.

Η αποθήκευση εργαλείων που δεν χρησιμοποιούνται πρέπει να γίνεται σε ξηρό και ασφαλές μέρος μακριά από το εν λειτουργία μηχανήμα και εκτός πρόσβασης για τα παιδιά.

ΕΝΑΠΟΜΕΙΝΑΝΤΕΣ ΚΙΝΔΥΝΟΙ

Το μηχανήμα κατασκευάστηκε χρησιμοποιώντας σύγχρονη τεχνολογία και σύμφωνα με αναγνωρισμένους κανόνες ασφαλείας. Ακόμη και όταν εφαρμόζονται όλα τα μέτρα ασφαλείας, ενδέχεται να υπάρχουν ορισμένοι εναπομεινάντες κίνδυνοι, οι οποίοι δεν είναι ακόμη εμφανείς. Ο χειριστής πρέπει να χρησιμοποιεί την κοινή λογική και να λαμβάνει τις απαραίτητες προφυλάξεις για να αποφύγει τον κίνδυνο λόγω τυχόν εναπομεινάντων κινδύνων.

ΠΡΟΔΙΑΓΡΑΦΕΣ ΠΡΟΪΟΝΤΟΣ

ΠΡΟΒΛΕΠΟΜΕΝΗ ΧΡΗΣΗ

Το παρόν μηχανήμα έχει σχεδιαστεί και κατασκευαστεί για την μηχανική κατεργασία αντικειμένων μέσω δημιουργίας τρύπας, πχ. ξύλο, πλαστικό, μέταλλο και συναφή υλικά. Δεν είναι σχεδιασμένο για βαριά επαγγελματική χρήση.

Κάθε διαφορετική χρήση από τις παραπάνω αναφερόμενες θα μπορούσε να είναι επικίνδυνη, να προκαλέσει βλάβη σε ανθρώπους ή/και ζημιά σε υλικά και το μηχανήμα.

ΜΗ ΠΡΟΒΛΕΠΟΜΕΝΗ ΧΡΗΣΗ

Το μηχανήμα δεν πρέπει να χρησιμοποιηθεί για να κατεργαστείτε επικίνδυνα υλικά όπως εύφλεκτα ή εκρηκτικά είδη και τυχόν άλλα αντικείμενα που θα μπορούσαν να είναι επικίνδυνα για το μηχανήμα καθώς και για τον χειριστή, παρευρισκόμενους, ζώα ή περιουσίες.

Παραδείγματα μη προβλεπόμενης χρήσης μπορεί να περιλαμβάνουν, αλλά δεν περιορίζονται στη χρήση του μηχανήματος:

► Χωρίς γνώσια εξαρτήματα που παρέχονται από τον κατασκευαστή.

- ▶ Με γνήσια εξαρτήματα αλλά με τρόπο που δεν είναι σύμφωνος με τις οδηγίες.
- ▶ Χωρίς γνήσια ανταλλακτικά.
- ▶ Με μη εξουσιοδοτημένες τροποποιήσεις.

ΣΗΜΕΙΩΣΗ:

Σύμφωνα με τους ισχύοντες νόμους περί ευθύνης προϊόντος, ο κατασκευαστής της συσκευής δεν αναλαμβάνει ευθύνη για ζημιές στο προϊόν ή ζημιές που προκλήθηκαν από το προϊόν που οφείλονται σε:

- ▶ Λανθασμένο χειρισμό μη σύμφωνο με τις οδηγίες χρήσης.
- ▶ Επισκευές από τρίτους και όχι από εξουσιοδοτημένους τεχνικούς σέρβις.
- ▶ Εγκατάσταση μη γνήσιων ανταλλακτικών.
- ▶ Μη προβλεπόμενη χρήση.
- ▶ Βλάβη ηλεκτρικού συστήματος λόγω τροφοδοσίας του μηχανήματος κατά τρόπο που δεν συμμορφώνεται με τους ηλεκτρικούς κανονισμούς VDE και DIN.

ΤΕΧΝΙΚΑ ΧΑΡΑΚΤΗΡΙΣΤΙΚΑ			
Κωδικός Είδους		45 938	45 939
Μοντέλο		DPB 16/12 PLUS	DPF 16/12 PLUS
Όνομαστική τάση	V	230-240	230-240
Όνομαστική συχνότητα	Hz	50	50
Ισχύς	W	550 (S1)	550 (S1)
Αριθμός ταχυτήτων		12	12
Εύρος ταχύτητας	rpm	230-2.500	220-2.600
Μέγιστη χωρητικότητα τσοκ	mm	13	13
Εύρος κίνησης τσοκ	mm	60	80
Απόσταση τσοκ από στήλη	mm	250	340
Διαστάσεις τραπέζιου διάτρησης (Μ x Π)	mm	190 x 190	255 x 255
Ρύθμιση γωνίας τραπέζιου διάτρησης		-45°- 0°- 45°	-45°- 0°- 45°
Διάμετρος στήλης	mm	59,5	70
Διαστάσεις βάσης (Μ x Π)	mm	334 x 203	428 x 255

ΤΕΧΝΙΚΑ ΧΑΡΑΚΤΗΡΙΣΤΙΚΑ			
Κωδικός Είδους		45 938	45 939
Μοντέλο		DPB 16/12 PLUS	DPF 16/12 PLUS
Επίπεδο πίεσης θορύβου (LpA)	db(A)	70,7	73,8
Επίπεδο ισχύος θορύβου (LwA)	db(A)	84,5	86,8
Αβεβαιότητα Κ	dB	3	3
Ύψος	mm	840	1.610
Καθαρό βάρος	kg	25	46

ΤΑΥΤΟΠΟΙΗΣΗ ΜΕΡΩΝ (ΕΙΚ. 1, 2)

1. Βάση μηχανήματος
2. Στήλη κορμού
3. Λαβή σύσφιξης
4. Τραπέζι διάτρησης
5. Κινητήρας
6. Λαβή ασφάλισης καπακιού τάνυσης ιμάντα
7. Καπάκι τάνυσης ιμάντα
8. Διακόπτης έκτακτης ανάγκης
9. Μοχλός τροφοδοσίας τριπλής λαβής
10. Αναδιπλούμενο προστατευτικό
11. Τσοκ τρυπανιού
12. Κεφαλή μηχανήματος
13. Ένδειξη βάθους με τερματικό
14. Μανιβέλα
15. Εξάγωνη βίδα

ΛΕΙΤΟΥΡΓΙΑ**ΠΡΟΕΤΟΙΜΑΖΟΝΤΑΣ ΤΟ ΜΗΧΑΝΗΜΑ**

Η αποσυσκευασία και η συναρμολόγηση πρέπει να γίνονται σε επίπεδη και σταθερή επιφάνεια, με επαρκή χώρο για τη μετακίνηση του μηχανήματος και της συσκευασίας του και με τη χρήση κατάλληλου εξοπλισμού.

Περιεχόμενα συσκευασίας:

- ▶ Βάση μηχανήματος (x1) (Εικ. 2.1)
- ▶ Στήλη κορμού (x1) (Εικ. 2.2)
- ▶ Λαβή σύσφιξης (x1) (Εικ. 2.3)
- ▶ Τραπέζι διάτρησης (x1) (Εικ. 2.4)
- ▶ Λαβή μοχλού τροφοδοσίας (x3) (Εικ. 2.9)
- ▶ Αναδιπλούμενο προστατευτικό (x1) (Εικ. 2.10)
- ▶ Τσοκ τρυπανιού (x1) (Εικ. 2.11)
- ▶ Κεφαλή μηχανήματος (x1) (Εικ. 2.12)
- ▶ Μανιβέλα (x1) (Εικ. 2.14)
- ▶ Εξάγωνη βίδα (x4) (Εικ. 2.15)
- ▶ Κλειδί Allen (x2) (Εικ. 2.A, 2.B)

Για να συναρμολογήσετε το μηχάνημα:

ΠΡΟΕΙΔΟΠΟΙΗΣΗ:

Έχουν γίνει όλες οι απαραίτητες ρυθμίσεις για την καλή λειτουργία του μηχανήματός σας στο εργοστάσιο. Μην τα τροποποιείτε. Ωστόσο, λόγω της

φυσιολογικής φθοράς του εργαλείου σας, ενδέχεται να απαιτηθούν ορισμένες αναπροσαρμογές.

ΠΡΟΕΙΔΟΠΟΙΗΣΗ:

Αποσυνδέετε πάντα το μηχανήμά σας από την πηγή τροφοδοσίας πριν από οποιαδήποτε ρύθμιση.

Στήλη σε βάση μηχανήματος (Εικ. 3):

Τοποθετήστε το πόδι του μηχανήματος (1) κάτω στο έδαφος ή στον πάγκο εργασίας. Τοποθετήστε τη στήλη (2) στην πλάκα βάσης έτσι ώστε οι οπές στη στήλη (2) να ευθυγραμμιστούν με τις οπές στην πλάκα βάσης (1). Βιδώστε τις τέσσερις εξάγωνες βίδες για να στερεώσετε τη στήλη στην πλάκα βάσης και σφίξτε τις χρησιμοποιώντας ένα εξάγωνο κλειδί.

Εγκατάσταση της βάσης τραπεζιού διάτρησης (Εικ. 4-7):

1. Για να εγκαταστήσετε το τραπέζι διάτρησης σας, πρέπει πρώτα να αφαιρέσετε τον οδηγό (C). Χρησιμοποιήστε ένα κλειδί Allen για να αφαιρέσετε τον δακτύλιο (D) και να το τραβήξετε από τη στήλη (2). Τώρα τραβήξετε τον οδηγό (C) προς τα έξω.
2. Εισαγάγετε τον οδηγό (C) στην εγκοπή στο στήριγμα του τραπεζιού διάτρησης (4).
3. Ευθυγραμμίστε τον οδηγό (C) κεντρικά σε αντιστοιχία με το στήριγμα τραπεζιού διάτρησης (4).
4. Όταν εισάγετε τον οδηγό (C) μέσα στην αυλάκωση, βεβαιωθείτε ότι η οδοντωτή σύνδεση μεταξύ του οδηγού και της βάσης τραπεζιού διάτρησης (4) είναι σωστή.
5. Τώρα τοποθετήστε το στήριγμα τραπεζιού διάτρησης (4) με τον οδηγό (C) στη στήλη (2) και προωθήστε τον οδηγό (C) στον κάτω οδηγό στο πόδι της στήλης.
6. Χρησιμοποιήστε το δακτύλιο (D) για να στερεώσετε τον οδηγό (C). Βεβαιωθείτε ότι ο οδηγός ραφιού στον δακτύλιο (D) δείχνει προς τα κάτω. Σφίξτε την ενσωματωμένη βίδα Allen για να στερεώσετε τον δακτύλιο (D).
7. Τοποθετήστε το μανιβέλα (14) στον άξονα της βάσης τραπεζιού διάτρησης (4) και ασφαλίστε με τη βίδα Allen. Για να το κάνετε αυτό, χρησιμοποιήστε το κλειδί Allen (B).
8. Βιδώστε μία από τις λαβές σύσφιξης (3) στη βάση τραπεζιού διάτρησης (4).

Εγκατάσταση της κεφαλής και της στήλης του μηχανήματος (Εικ. 8):

Τοποθετήστε την κεφαλή του μηχανήματος (12) στη στήλη (2). Ευθυγραμμίστε τον άξονα του τρυπανιού με το τραπέζι και την πλάκα βάσης και σφίξτε τη βίδα Allen που βρίσκεται στο πλάι της κεφαλής του μηχανήματος. Για να το κάνετε αυτό, χρησιμοποιήστε το κλειδί Allen (A).

Εγκατάσταση λαβών (Εικ. 9):

Βιδώστε σφικτά τρεις λαβές (9) στη βάση της λαβής. Χρησιμοποιήστε το εξάγωνο κλειδί για να το κάνετε αυτό.

Εγκατάσταση του αναδιπλούμενου προστατευτικού και του τσοκ τρυπανιού (Εικ. 11):

Σπρώξτε το αναδιπλούμενο προστατευτικό (10) στον άξονα της κεφαλής του μηχανήματος και χρησιμοποιήστε ένα κατσαβίδι κεφαλής "Phillips" για να το ασφαλίσετε.

Εγκατάσταση του τσοκ (Εικ. 12):

Καθαρίστε την κωνική τρύπα στο τσοκ (11) και τον κωνικό άξονα με ένα καθαρό ύφασμα. Βεβαιωθείτε ότι δεν υπάρχουν ξένα σωματίδια σε αυτό, καθώς το παραμικρό κομμάτι βρωμιάς θα αποτρέψει την σωστή τοποθέτηση του τσοκ, προκαλώντας την ταλάντωση του τρυπανιού. Σπρώξτε το τσοκ επάνω στη μύτη του άξονα όσο μπορείτε. Γυρίστε το δακτύλιο του τσοκ αριστερόστροφα (όταν το βλέπετε από ψηλά) και ανοίξτε εντελώς τις σιαγόνες στο τσοκ. Τοποθετήστε ένα κομμάτι ξύλου στο τραπέζι του μηχανήματος και χαμηλώστε τον άξονα στο κομμάτι του ξύλου. Πιέστε σταθερά για να βεβαιωθείτε ότι η τοποθέτηση του τσοκ είναι σωστή.

ΣΗΜΕΙΩΣΗ:

Όλα τα γυμνά μέρη έχουν λιπανθεί για να τα προστατεύουν από τη διάβρωση. Πριν τοποθετήσετε το τσοκ τρυπανιού στον άξονα, και τα δύο μέρη πρέπει να απολιπανθούν πλήρως χρησιμοποιώντας έναν φιλικό προς το περιβάλλον διαλύτη. Αυτό εξασφαλίζει τη βέλτιστη μετάδοση ισχύος.

Εγκατάσταση του μηχανήματος:

Πριν χρησιμοποιήσετε το δράπανο για πρώτη φορά, πρέπει να στερεωθεί σε σταθερή θέση σε σταθερή επιφάνεια. Χρησιμοποιήστε και τις δύο οπές στερέωσης στην πλάκα βάσης για να το κάνετε αυτό. Βεβαιωθείτε ότι το μηχανήμα είναι εύκολα προσβάσιμο για λειτουργία, ρύθμιση και συντήρηση.

ΠΡΟΕΙΔΟΠΟΙΗΣΗ:

Οι βίδες στερέωσης μπορούν να σφίξουν μόνο σε σημείο που δεν παραμορφώνουν την πλάκα βάσης. Η υπερβολική σύσφιξη μπορεί να οδηγήσει σε ράγισμα.

ΣΗΜΕΙΩΣΗ:

Ο εγκατεστημένος ηλεκτροκινητήρας είναι πλήρως συνδεδεμένος και έτοιμος για λειτουργία. Η σύνδεση με το σύστημα τροφοδοσίας και τυχόν καλώδια επέκτασης που μπορεί να χρησιμοποιηθούν, πρέπει να συμμορφώνονται με τους τοπικούς κανονισμούς. Ελέγχετε τακτικά τα καλώδια ηλεκτρικής σύνδεσης για ζημιές. Βεβαιωθείτε ότι το καλώδιο αποσυνδέθηκε από το δίκτυο κατά τον έλεγχο. Τα καλώδια ηλεκτρικής σύνδεσης πρέπει να συμμορφώνονται με τους κανονισμούς που ισχύουν στη χώρα σας.

Μονοφασικός κινητήρας:

- Η τάση δικτύου πρέπει να συμπίπτει με την τάση που καθορίζεται στην πινακίδα τύπου του κινητήρα.
- Καλώδια διαστάσεων 1,5w 25m σε μήκος πρέπει να έχουν διατομή 1,5mm² και πέραν των 25m τουλάχιστον 2,5mm².
- Η σύνδεση με το δίκτυο πρέπει να προστατεύεται με κατάλληλη ασφάλεια αργής δράσης.

ΣΗΜΕΙΩΣΗ:

Ο κινητήρας απενεργοποιείται αυτόματα σε περίπτωση υπερφόρτωσης. Ο κινητήρας μπορεί να εκκινήσει ξανά μετά από μια περίοδο ψύξης που μπορεί να ποικίλει.

ΠΡΟΕΙΔΟΠΟΙΗΣΗ:

Συνδέστε το μηχάνημα μόνο σε μια πρίζα με τη σωστά εγκατεστημένη επαφή γείωσης.

ΛΕΙΤΟΥΡΓΩΝΤΑΣ ΤΟ ΜΗΧΑΝΗΜΑ**ΠΡΟΕΙΔΟΠΟΙΗΣΗ:**

Για τη δική σας ασφάλεια, κρατήστε το διακόπτη του μηχανήματος σε θέση απενεργοποίησης ενώ εκτελείτε οποιαδήποτε από τις παρακάτω διαδικασίες. Το μηχάνημα πρέπει να είναι ενεργοποιημένο, μόνο εάν ένα συγκεκριμένο βήμα της διαδικασίας δηλώνει έτσι και μόνο για το συγκεκριμένο βήμα.

Εγκατάσταση τρυπανιού:**ΠΡΟΕΙΔΟΠΟΙΗΣΗ:**

Μόνο κυλινδρικά εργαλεία με την καθορισμένη μέγιστη διάμετρο άξονα μπορούν να στερεωθούν στο τσοκ κύλισης. Χρησιμοποιήστε μόνο ένα εργαλείο που είναι αιχμηρό και χωρίς ελαττώματα. Μην χρησιμοποιείτε εργαλεία των οποίων ο άξονας είναι κατεστραμμένος ή παραμορφωμένος ή ελαττωματικός με άλλο τρόπο. Χρησιμοποιείτε μόνο αξεσουάρ και εξαρτήματα που καθορίζονται στις οδηγίες λειτουργίας ή έχουν εγκριθεί από τον κατασκευαστή. Εάν το δρόπανο μπλοκαριστεί, απενεργοποιήστε το μηχάνημα και επιστρέψτε το τρυπάνι στην αρχική του θέση.

Τοποθετήστε το τρυπάνι στο τσοκ αρκετά βαθιά για να επιτύχετε τη μέγιστη πρόσφυση των σιαγόνων τσοκ. Όταν χρησιμοποιείτε ένα μικρό τρυπάνι μην το τοποθετείτε τόσο βαθιά ώστε οι σιαγόνες να αγγίζουν τις σπειροειδείς αυλακώσεις του τρυπανιού. Βεβαιωθείτε ότι το τρυπάνι είναι κεντραρισμένο στο τσοκ πριν σφίξετε το τσοκ με το κλειδί τσοκ. Σφίξτε επαρκώς το τσοκ του τρυπανιού, έτσι ώστε το τρυπάνι να μην γλιστρά κατά τη διάτρηση. Γυρίστε το κλειδί τσοκ δεξιόστροφα για να σφίξετε, αριστερόστροφα για να χαλαρώσετε.

ΣΗΜΕΙΩΣΗ:

Το τρυπάνι της κολόνας σας είναι εξοπλισμένο με τσοκ χωρίς κλειδί. Αυτό επιτρέπει την αλλαγή εργαλείων χωρίς την ανάγκη για πρόσθετο κλειδί τσοκ. Για να το κάνετε αυτό, τοποθετήστε το εργαλείο στο τσοκ γρήγορης αλλαγής τρυπανιού και σφίξτε με το χέρι.

Ρύθμιση της ταχύτητας (Εικ. 1):

Η ταχύτητα λειτουργίας του μηχανήματος είναι ρυθμιζόμενη.

ΣΗΜΕΙΩΣΗ:

Οι ρυθμίσεις ταχύτητας επιτρέπονται μόνο όταν ο κινητήρας λειτουργεί και σε αδράνεια.

Μετακινήστε αργά και σταθερά το μοχλό ελέγχου ταχύτητας (6) ενώ το μηχάνημα βρίσκεται σε κατάσταση αδράνειας. Βεβαιωθείτε ότι το μηχάνημα μπορεί να λειτουργεί χωρίς διακοπή (π.χ. αφαίρεση κομματιών εργασίας, τρυπανιών κ.λπ.).

ΠΡΟΕΙΔΟΠΟΙΗΣΗ:

Μην αφήνετε ποτέ το δρόπανο να λειτουργεί όταν το κάλυμμα του ιμάντα είναι ανοικτό. Πάντα να

τραβάτε το φινς πριν ανοίξετε το κάλυμμα. Ποτέ μην αγγίζετε τον ιμάντα όταν περιστρέφεται.

Διακοπή βάθους τρυπανιού (Εικ. 13):

Ο άξονας διάτρησης διαθέτει περιστρεφόμενο δακτύλιο κλίμακας (17) για τη ρύθμιση του βάθους της τρύπας. Προσαρμόστε τη ρύθμιση μόνο όταν ο εξοπλισμός βρίσκεται σε ακινησία.

1. Πιέστε τον άξονα διάτρησης προς τα κάτω έως ότου η άκρη του τρυπανιού αγγίξει το κομμάτι προς κατεργασία.
2. Χαλαρώστε τη βίδα σύσφιξης (13) και περιστρέψτε το δακτύλιο κλίμακας (17) προς τα εμπρός μέχρι να σταματήσει.
3. Γυρίστε το δακτύλιο κλίμακας (17) πίσω στο επιθυμητό βάθος τρυπανιού και στη συνέχεια ασφαλίστε αυτήν τη ρύθμιση στη θέση της χρησιμοποιώντας τη βίδα σύσφιξης (13).

ΣΗΜΕΙΩΣΗ:

Όταν ρυθμίζετε το βάθος τρυπανιού μιας κυλινδρικής οπής, πρέπει να προσθέσετε μια υπολογισμό και το μήκος του άκρου του τρυπανιού.

Ρύθμιση της γωνίας του τραπέζιού διάτρησης**(Εικ. 14):**

Χαλαρώστε τον κοχλία (18) κάτω από το τραπέζι διάτρησης. Ρυθμίστε το τραπέζι διάτρησης στην επιθυμητή γωνία. Σφίξτε τον κοχλία (18) για να ασφαλίσετε το τραπέζι διάτρησης σε αυτήν τη θέση.

Ρύθμιση του ύψους του τραπέζιού διάτρησης**(Εικ. 15):**

Χαλαρώστε τη βίδα σύσφιξης (3). Ρυθμίστε το τραπέζι διάτρησης στην επιθυμητή θέση με τη βοήθεια του μανιβέλας (14). Βιδώστε ξανά τη βίδα σύσφιξης (3) προς τα κάτω.

Ρύθμιση του ελατηρίου επιστροφής της ατράκτου**(Εικ. 16):**

Ίσως χρειαστεί να ρυθμίσετε το ελατήριο επιστροφής της ατράκτου επειδή η τάση της έχει αλλάξει και ο άξονας κινείται πίσω πολύ γρήγορα ή πολύ αργά. Για να το κάνετε:

1. Χαμηλώστε το τραπέζι για περισσότερο χώρο εργασίας.
2. Εργαστείτε στην αριστερή πλευρά του τρυπανιού.
3. Τοποθετήστε ένα κατσαβίδι στην κάτω μπροστινή εγκοπή (1) και κρατήστε το εκεί.
4. Αφαιρέστε το εξωτερικό παξιμάδι (3) με ένα κλειδί.
5. Με το κατσαβίδι ακόμα στο παξιμάδι, χαλαρώστε το εσωτερικό παξιμάδι (4) έως ότου η εγκοπή αποκολληθεί από την πλήμνη (6).

ΠΡΟΕΙΔΟΠΟΙΗΣΗ:

Το ελατήριο είναι προ-φορτισμένο.

6. Γυρίστε προσεκτικά το καπάκι του ελατηρίου (2) αριστερόστροφα με το κατσαβίδι μέχρι να μπορέσετε να πιέσετε το παξιμάδι (1) στην πλήμνη (6).
7. Χαμηλώστε την άτρακτο στη χαμηλότερη θέση και κρατήστε το καπάκι ελατηρίου (2) στη θέση του. Όταν η άτρακτος κινείται πάνω-

κάτω όπως θέλετε, σφίξτε ξανά το εσωτερικό παξιμάδι (4).

- Εάν είναι πολύ χαλαρό, επαναλάβετε τα βήματα 3-5. Εάν είναι πολύ σφικτό, αντιστρέψτε το βήμα 6.
- Ασφαλίστε το εξωτερικό παξιμάδι (3) στο εσωτερικό παξιμάδι (4) με ένα κλειδί με ανοιχτό άκρο.

ΣΗΜΕΙΩΣΗ:

Μην σφίγγετε υπερβολικά και μην περιορίζετε την κίνηση της ατράκτου.

Η αξονική λειτουργία της ατράκτου (Εικ. 17):

Όταν η άτρακτος βρίσκεται στην κάτω θέση, γυρίστε την με το χέρι. Εάν διαπιστώσετε ότι η κίνηση είναι πολύ μεγάλη, προχωρήστε ως εξής:

- Ξεσφίξτε το παξιμάδι ασφάλισης (19).
- Γυρίστε τη βίδα δεξιόστροφα (20), για να ισορροπήσετε τη λειτουργία, χωρίς να παρεμβαίνετε στην κίνηση πάνω-κάτω της ατράκτου (μια μικρή κίνηση είναι φυσιολογική).
- Σφίξτε ξανά το παξιμάδι ασφάλισης (19).

Τοποθέτηση του αντικείμενου προς κατεργασία:

Κατά γενικό κανόνα, χρησιμοποιήστε μια μηχανική μέγγενη ή άλλη κατάλληλη συσκευή σύσφιξης για να στερεώσετε ένα αντικείμενο προς κατεργασία στη θέση του. Ποτέ μην κρατάτε το αντικείμενο προς κατεργασία στη θέση του με το χέρι σας. Κατά τη διάτρηση, το αντικείμενο προς κατεργασία θα πρέπει να μπορεί να μετακινηθεί στο τραπέζι διάτρησης για σκοπούς αυτό-κεντραρίσματος. Βεβαιωθείτε ότι το αντικείμενο δεν μπορεί να περιστραφεί. Αυτό επιτυγχάνεται καλύτερα με την τοποθέτηση του αντικείμενου προς κατεργασίας / της μηχανικής μέγγενης σε ένα ανθεκτικό μπλοκ.

ΣΗΜΕΙΩΣΗ:

Τα αντικείμενα τύπου μεταλλικής λαμαρίνας πρέπει να στερεωθούν ώστε να μην σχίζονται. Ρυθμίστε σωστά το ύψος και τη γωνία του τραπεζιού διάτρησης για κάθε αντικείμενο προς κατεργασία. Πρέπει να υπάρχει αρκετή απόσταση μεταξύ του άνω άκρου του αντικειμένου και του άκρου του τρυπανιού.

ΣΗΜΕΙΩΣΗ:

Τοποθετήστε ένα κομμάτι εφεδρικού υλικού (π.χ. ξύλο) στο τραπέζι κάτω από το αντικείμενο προς κατεργασία. Αυτό θα αποτρέψει το αντικείμενο από το να χωριστεί στη μέση ή να δημιουργηθεί έντονο άνοιγμα στο κάτω μέρος του αντικειμένου προς κατεργασία.

ΠΡΟΕΙΔΟΠΟΙΗΣΗ:

Για να αποφύγετε την περιστροφή του εφεδρικού υλικού, πρέπει να βρίσκεται σε επαφή με την αριστερή πλευρά της στήλης όπως φαίνεται στην εικόνα. Εάν το αντικείμενο προς κατεργασία ή το εφεδρικό υλικό δεν είναι αρκετά μεγάλο για να φτάσει στη στήλη, σφίξτε το στο τραπέζι. Σε αντίθετη περίπτωση, μπορεί να προκληθεί τραυματισμός.

ΣΗΜΕΙΩΣΗ:

Για μικρά κομμάτια που δεν μπορούν να στερεωθούν στο τραπέζι, χρησιμοποιήστε μια μέγγενη δραπάνου (προαιρετικό αξεσουάρ). Η

μέγγενη πρέπει να στερεώνεται ή να βιδώνεται στο τραπέζι για να αποφευχθεί τραυματισμός λόγω περιστροφής ή θραύσης.

Επιλογή ταχύτητας:

Βεβαιωθείτε ότι τρυπάτε με τη σωστή ταχύτητα.

Η ταχύτητα του τρυπανιού εξαρτάται από τη διάμετρο του τρυπανιού και το εν λόγω υλικό.

Ο παρακάτω πίνακας λειτουργεί ως οδηγός για την επιλογή της κατάλληλης ταχύτητας για διάφορα υλικά:

Τρυ- πάνι Ø	Χυτο- σίδηρος	Ατσάλι	Σίδηρο	Αλου- μίνιο	Χαλκός
3	2.550	1.600	2.230	9.500	8.000
4	1.900	1.200	1.680	7.200	6.000
5	1.530	955	1.340	5.700	4800
6	1.270	800	1.100	4.800	4.000
7	1.090	680	960	4.100	3.400
8	960	600	840	3.600	3.000
9	850	530	740	3.200	2.650
10	765	480	670	2.860	2.400
11	700	435	610	2.600	2.170
12	640	400	560	2.400	2.000
13	590	370	515	2.200	1.840
14	545	340	480	2.000	1.700
16	480	300	420	1.800	1.500
18	425	265	370	1.600	1.300
20	380	240	335	1.400	1.200
22	350	220	305	1.300	1.100
25	305	190	270	1.150	950

ΣΗΜΕΙΩΣΗ:

Οι ταχύτητες διάτρησης που καθορίζονται παραπάνω είναι απλώς προτεινόμενες τιμές.

Κωνική και κεντρική διάτρηση:

Με αυτό το τρυπάνι, μπορείτε επίσης να κάνετε κωνική και κεντρική διάτρηση. Λάβετε υπόψη ότι η κωνική διάτρηση πρέπει να πραγματοποιείται με τη χαμηλότερη ταχύτητα, ενώ απαιτείται υψηλή ταχύτητα για κεντρική διάτρηση.

ΣΥΝΤΗΡΗΣΗ ΚΑΙ ΚΑΘΑΡΙΣΜΟΣ

ΠΡΟΕΙΔΟΠΟΙΗΣΗ:

Για δική σας ασφάλεια, απενεργοποιήστε το μηχάνημα μέσω του διακόπτη και αφαιρέστε το βύσμα από την πρίζα πριν από οποιαδήποτε λειτουργία συντήρησης στο μηχάνημα.

Διατηρήστε τη συσκευή σας καθαρή. Για να αποφύγετε την υπερθέρμανση του κινητήρα, ελέγχετε τακτικά τα ανοίγματα αέρα για τυχόν σκόνη.

ΚΑΛΩΔΙΟ ΤΡΟΦΟΔΟΣΙΑΣ

Για να αποφύγετε τον κίνδυνο ηλεκτροσόκ ή πυρκαγιάς, εάν το καλώδιο τροφοδοσίας είναι

φθαρμένο ή κομμένο ή έχει υποστεί ζημιά με οποιοδήποτε τρόπο, αντικαταστήστε το αμέσως.

Ελαττωματικά καλώδια ηλεκτρικής σύνδεσης:

Τα καλώδια ηλεκτρικής σύνδεσης συχνά παθαίνουν ζημιά μόνωσης. Πιθανές αιτίες είναι:

1. Διάτρηση όταν τα καλώδια σύνδεσης περνούν μέσω κενών σε παράθυρα ή πόρτες.
2. Τάκση από περιστροφή που προκύπτει από εσφαλμένη σύνδεση ή τοποθέτηση του καλωδίου σύνδεσης.
3. Κοψίματα που προκύπτουν όταν το καλώδιο σύνδεσης πατηθεί.
4. Ζημιά μόνωσης που προκύπτει από την βίαιη έξοδο του βύσματος από την πρίζα.
5. Ρωγμές λόγω γήρανσης της μόνωσης.

Τέτοια ελαττωματικά καλώδια ηλεκτρικής σύνδεσης δεν πρέπει να χρησιμοποιούνται καθώς η ζημιά μόνωσης τα καθιστά εξαιρετικά επικίνδυνα.

ΛΙΠΑΝΣΗ

Λιπάνετε περιοδικά τα κινούμενα μέρη. Μην λαδώνετε τον κινητήρα.

ΚΑΘΑΡΙΣΜΟΣ

Χρησιμοποιήστε μια μικρή μαλακή βούρτσα για να καθαρίσετε το εξωτερικό του μηχανήματος. Μην χρησιμοποιείτε ισχυρά απορρυπαντικά. Τα οικιακά καθαριστικά που περιέχουν αρωματικά έλαια όπως πεύκο και λεμόνι και διαλύτες όπως κηροζίνη μπορούν να προκαλέσουν ζημιά στο πλαστικό περίβλημα ή στη λαβή. Σκουπίστε τυχόν υγρυσίες με ένα μαλακό πανί. Αφαιρέστε σκόνη, βρωμιά και κατάλοιπα κατεργασίας με κατάλληλη σκούπα αναρρόφησης αν είναι απαραίτητο.

ΑΠΟΘΗΚΕΥΣΗ

ΠΡΟΕΙΔΟΠΟΙΗΣΗ:

Κλείστε τον διακόπτη και αφαιρέστε το φις από την πρίζα για να αποθηκεύσετε το μηχάνημα.

Αποθηκεύστε τη μονάδα μόνο σε ξηρούς και καλά αεριζόμενους χώρους.

Σε περίπτωση που η μονάδα θα αποθηκευτεί για μεγάλο χρονικό διάστημα, χρησιμοποιήστε την ακόλουθη διαδικασία αποθήκευσης:

1. Καθαρίστε σχολαστικά τη μονάδα και ελέγξτε για τυχόν χαλαρά ή κατεστραμμένα μέρη. Επισκευάστε ή αντικαταστήστε τα μέρη που έχουν ζημιά και σφίξτε τις χαλαρές βίδες, τα παξιμάδια ή τους κοχλίες.
2. Λιπάνετε και εφαρμόστε γράσο, όπου απαιτείται.
3. Αποθηκεύστε τη μονάδα στην εργοστασιακή της συσκευασία.

ΠΡΟΣΤΑΣΙΑ ΤΟΥ ΠΕΡΙΒΑΛΛΟΝΤΟΣ

Ανακυκλώστε τις πρώτες ύλες αντί να τις απορρίψετε. Το μηχάνημα, τα αξεσουάρ και οι συσκευασίες πρέπει να ταξινομούνται για φιλική προς το περιβάλλον ανακύκλωση. Τα πλαστικά εξαρτήματα επισομαίνονται για κατηγοριοποιημένη ανακύκλωση.

Αυτό το προϊόν δεν πρέπει να απορρίπτεται μαζί

με οικιακά απόβλητα σύμφωνα με τη σχετική νομοθεσία που αναφέρεται σε απόβλητα ηλεκτρικού και ηλεκτρονικού εξοπλισμού. Αυτό το προϊόν πρέπει να απορριφθεί σε καθορισμένο σημείο συλλογής. Αυτό μπορεί να συμβεί, για παράδειγμα, παραδίδοντας το σε εξουσιοδοτημένο σημείο συλλογής για την ανακύκλωση απορριμμάτων ηλεκτρικού και ηλεκτρονικού εξοπλισμού. Ο ακατάλληλος χειρισμός απορριμμάτων εξοπλισμού μπορεί να έχει αρνητικές συνέπειες για το περιβάλλον και την ανθρώπινη υγεία λόγω δυνητικά επικίνδυνων ουσιών που συχνά περιέχονται σε ηλεκτρικό και ηλεκτρονικό εξοπλισμό. Με τη σωστή απόρριψη αυτού του προϊόντος, συμβάλλετε επίσης στην αποτελεσματική χρήση των φυσικών πόρων. Μπορείτε να λάβετε πληροφορίες σχετικά με τα σημεία συλλογής απορριμμάτων από τη δημοτική σας διοίκηση, τη δημόσια αρχή διάθεσης απορριμμάτων, έναν εξουσιοδοτημένο φορέα για τη διάθεση απορριμμάτων ηλεκτρικού και ηλεκτρονικού εξοπλισμού ή την εταιρεία διάθεσης αποβλήτων.

ΕΓΓΥΗΣΗ

Αυτό το προϊόν είναι εγγυημένο σύμφωνα με τους νόμους / ειδικούς κανονισμούς ανά χώρα, από την ημερομηνία αγοράς του από τον χρήστη. Ζημιές που οφείλονται σε φυσιολογική φθορά, υπερφόρτωση ή ακατάλληλο χειρισμό θα εξαιρεθούν από την εγγύηση. Σε περίπτωση αξίωσης, στείλτε το μηχάνημα, πλήρως συναρμολογημένο, στον αντιπρόσωπό σας ή στο επίσημο κέντρο σέρβις.

SRPSKI

OPŠTA BEZBEDNOSNA UPOZORENJA

Pročitajte i razumete uputstvo ovog vlasnika pre rada ovog proizvoda. Možete da sprečite nezgode tako što ćete biti upoznati sa kontrolama proizvoda i pridržavanjem bezbednih operativnih procedura i bezbednosnih znakova. Uvek koristite zdrav razum da izbegnete sve situacije koje se smatraju izvan vaše mogućnosti. Nemojte koristiti dok ste umorni ili pod uticajem droga, alkohola ili bilo kojih drugih lekova. Zadržite prolaznike i životinje koje bi mogle biti povređene, kao i predmete koji bi mogli biti oštećeni, dok rade. Nikada ne dozvolite deci ili osobama koje nisu upoznate sa ovim uputstvima da koriste proizvod. Lokalni zakoni mogu da ograniče minimalnu starosnu granicu operatera. Imajte na umu da je operater ili korisnik odgovoran za nesreće ili neočekivane događaje koji se dešavaju drugim ljudima, životinjama ili njihovoj imovini. Ne izlažite proizvod prekomernoj vlazi, prašini, prljavštini ili korozivnim isparenjama. Nemojte montirati opremu ili pribor na mašinu koja nije predviđena ili odobrena od strane proizvođača. Nikada ne pokušavajte da izmenite proizvod. Neovlašćene izmene ili pribor mogu rezultirati ozbiljnim ličnim povredama ili smrću operatera ili drugih osoba. Posavetujte se sa ovlašćenim dilerom za rastav i uslugu, koja nije obuhvaćena ovim uputstvom. Ako se nešto pokvari ili dođe do nezgode tokom rada, odmah isključite mašinu i udaljite je kako biste sprečili dalje oštećenje. U slučaju da je strano telo ušlo u mašinu, odmah ga zaustavite, pregledajte da li ima oštećenja i izvršite popravke pre nego što ga ponovo započnete.

ZAŠTITNA OPREMA

Uverite se da prilikom rada jedinice koristite odgovarajuću i sertifikovanu zaštitnu opremu. Uvek nosite odeću koja ne sputava pokrete, zaštitne rukavice, zaštitne naočare, respirator sa polu maskiranim ušima, zaštitu ušiju i anti-shear sigurnosne cizme sa neklizajućim donom. Nikada ne nosite šalove, ogrlice ili bilo kakav viseći ili lepšavi pribor i odeću koja bi mogla da se uhvati u mašini. Vehi kosu ako je dugačka.

OPASNOSTI OD POŽARA I OPEKOTINA

Kvarovi na električnoj opremi mogu da izazovu varnice koje bi mogle da zapale zapaljiv materijal. Potrudite se da vaš radni prostor bude čist i uredan i nemojte koristiti mašinu u blizini zapaljivog materijala. Ako dođe do požara, koristite odgovarajući protivpožarni aparat.

Ne dirajte rotirajuće delove i alatu za bušenje nakon rada. Neke površine mogu postati veoma vruće tokom upotrebe i treba im dozvoliti vreme da se ohlade pre nego što ih dodirnete.

KATEGORIJA BEZBEDNOSNA UPOZORENJA

BEZBEDAN RAD

Sve operativne poluge mašine moraju lako da se kreću sa jedne pozicije na drugu i ne sme im biti potrebno forsiranje. Električni kablovi i posebno glavni kabl za utikač moraju biti u savršenom

stanju kako bi se izbegla generacija bilo kakvih varnica ili rizik od električnog šoka. Ručne i zaštitne uređaje moraju biti čiste i suve kao i bezbedno pričvršćivanje za mašinu. Upravljaj mašinom obeima rukama. Uverite se da uvek koristite ispravnu alatu za svaki posao kako biste izbegli otkazivanje ili povredu računara i izbegli preopterećenje mašine. Ocene napona i frekvencije snabdevanja električnom energijom moraju biti u okviru specifikacija mašine. Uverite se da je prekidač mašine isključen prilikom priključivanja, kako biste izbegli rizik zbog nenamernog pokretanja. Uklonite sve tastere i ključeve sa računara pre operacije.

Uverite se da ste zaustavili mašinu i isključili je iz glavnih:

- ▶ Prilikom montaže ili uklanjanja pribora i alata.
- ▶ Kad god ostavite mašinu bez nadzora.
- ▶ Tokom čišćenja ili održavanja.
- ▶ Tokom repozicioniranja mašine, transporta ili skladištenja.

U slučaju kvara ili gužve mašine, odmah isključite mašinu i uklonite je iz izvora napajanja. Mašina ne bi trebalo ponovo da se pokrene ako se džem ne raščisti ili ako se kvar izmeni, u ovlašćenom servisnom centru kada je to potrebno. Mašina bi potencijalno mogla da se zaglavi kada:

- ▶ Mašina je preopterećena.
- ▶ Radno delo koje treba mašinski zakrčeno.

OPASNOSTI PO STRUJU

Uverite se da su električni kablovi mašine i glavni utikač, sa kojima je povezan, u dobrom stanju i da se ne nose. Nikada ne koristite oštećenu mašinu ili mašinu sa oštećenim ili istrošenim električnim kablovima i utikačima. Ne izlažite mašinu i električne kablove vlažnim uslovima i nikada ne dirajte kada su vlažni. Koristite utičnicu sa zemaljom. Nemojte koristiti kabl da biste izvukli utikač iz utičnice.

Da biste sprečili oštećenje kabla za napajanje, uvek udaljite kabl za napajanje od zadnjeg dela mašine i zaštitite ga od toplote, ulja i oštrih predmeta. Kada mašina treba da se koristi na otvorenom, koristite samo produžne kablove namenjene za korišćenje na otvorenom. Presek bilo kog produžnog kabla mora da izmeri najmanje 1,5mm² i glavna veza mora biti zaštićena odgovarajućim osiguračima.

OPASNOSTI OD ROTIRAJUĆIH DELOVA

Rotirajući delovi mogu da izazovu ozbiljne povrede. Izbegavajte kontakt sa rotirajućim delovima dok su još u rotaciji i potrudite se da sve što bi moglo da bude zarobljeno u operacionoj mašini, kao što su labava kosa i odeća, držite podalje. Držite ruke dalje od prostora za mahinacije prilikom rada mašine.

Radni komadi i alati mogu da se rikošetom dovedu do povreda i oštećenja imovine. Uverite se da su mašina i alat uvek u dobrom stanju. Koristite stege ili porok da biste čvrsto držali radni deo na poziciji. Nemojte raditi na stavkama koje su premale da bi se bezbedno stegle u mestu.

Proverite da li postoji ispravno poravnavanje pokretnih i rotirajućih delova ili drugih otkazivanja koja mogu biti izvor opasnosti. Oštećeni čuvar ili

drugi deo treba da bude zamenjen ovlašćenim servisnim centrom pre rada mašine.

Ne dirajte rotirajuće delove pre nego što dođu u potpuno zaustavljanje.

OPASNOSTI OD BUKE I VIBRACIJA

Nivoi buke prikazani u ovim uputstvima su maksimalni nivoi za korišćenje mašine. Nedovoljno održavanje ima značajan uticaj na vibracije i emisiju buke. Shodno tome, neophodno je preduzeti preventivne korake kako bi se eliminisala moguća oštećenja usled visokog nivoa buke i stresa od vibracija. Dobro održavajte mašinu, nosite uređaje za zaštitu ušiju, rukavice protiv vibracija i napravite pauze dok radite.

OPASNOSTI U RADNOJ OBLASTI

Detaljno pregledajte ceo radni prostor i koristite četkicu za grabulje ili dvorište kako biste ručno olabavili ostatke i uklonili sve što bi moglo da vam bude opasan izvor ili da izazove oštećenje mašine. Održavajte radni prostor čistim i urednim. Nemojte upravljati mašinom u vlažnim uslovima okruženja ili kada je sama mašina mokra. Drži mašinu dalje od zapaljivog materijala. Proverite da li postoje prolaznici, životinje ili predmeti koji mogu biti oštećeni u okviru opsega radnji mašine. Radi samo u dobro provetrenim delovima. Čips od drveta i prašina mogu biti opasnost po zdravlje kada se udahnu ili kada su u kontaktu sa očima. Uvek nosite odgovarajuće respiratorne i zaštitne naočare sa polu maskiranim maskama, kada radite sa takvim materijalima i koristite uređaj za vađenje prašine.

Radi samo u dobro provetrenim delovima. Čips i testera prašina mogu biti opasnost po zdravlje kada se udahnu ili kada su u kontaktu sa očima. Uvek nosite odgovarajuće respiratorne i zaštitne naočare sa polu maskiranim maskama, kada radite sa takvim materijalima i koristite uređaj za vađenje prašine.

Zauzmu čvrstu i dobro izbalansiranu poziciju. Gde je to moguće, izbegavajte rad na vlažnom, klizavom terenu ili u svakom slučaju na neravnomernom ili strmom terenu koji operateru ne garantuje stabilnost.

Skladištenje alata koji nisu u upotrebi treba da se obavlja na suvom i bezbednom mestu daleko od operativne mašine i van domašaja dece.

PREOSTALE OPASNOSTI

Mašina je napravljena pomoću savremene tehnologije i u skladu sa priznatim bezbednosnim pravilima. Čak i kada su preduzete sve bezbednosne mere, neke preostale opasnosti, koje još uvek nisu evidentne, mogu biti prisutne. Operater treba da koristi zdrav razum i preduzme neophodne mere predostrožnosti kako bi izbegao rizik zbog preostalih opasnosti.

SPECIFIKACIJE PROIZVODA

NAMENJENA UPOTREBA

Ova mašina je dizajnirana i proizvedena za mahinacije radnih komada bušenjem npr. drveta, plasti-

ke, metala i sličnih materijalnih komada. Nije dizajniran za tešku komercijalnu upotrebu.

Svaka druga upotreba koja se razlikuje od gore navedenih može biti opasna, naškoditi ljudima i/ili oštetiti stvari i samu mašinu.

NEPRAVILNA UPOTREBA

Mašina ne sme da se koristi za mahinaciju opasnih materija, npr. akumulaciju upalnih ili eksplozivnih proizvoda, i bilo koji drugi predmet koji bi mogao da bude opasan po samu mašinu kao i operatera, prolaznike, životinje ili imovinu.

Drugi primeri nepravilne upotrebe mogu da uključuju, ali nisu ograničeni, na rad računara:

- Bez originalnog pribora koji je obezbedio proizvođač.
- Sa originalnim priborom, ali na neki način ne u skladu sa uputstvima.
- Bez originalnih rezervnih delova.
- Sa neovlašćenim izmenama.

BELEŠKE:

Prema važećim zakonima o odgovornosti proizvođača, proizvođač uređaja ne preuzima odgovornost za štetu na proizvodu ili štetu nastalu usled proizvoda do koje dolazi zbog:

- Nepravilno rukovanje nije u skladu sa uputstvima za rad.
- Popravke od strane trećih lica, a ne od strane ovlašćenih servisnih tehničara.
- Instalacija ne-originalnih rezervnih delova.
- Nemušta upotreba.
- Kvar na električnom sistemu zbog napajanja mašine na način koji nije u skladu sa električnim i VDE propisima.

TEHNIČKI PODACI			
Broj članka		45 938	45 939
Model		DPB 16/12 PLUS	DPF 16/12 PLUS
Ocenjen napon	V	230-240	230-240
Ocenjena frekvencija	Hz	50	50
Snaga	W	550 (S1)	550 (S1)
Broj brzina		12	12
Domet brzine	rpm	230-2.500	220-2.600
Maksimalni kapacitet čaka	mm	13	13
Čak šlog	mm	60	80
Zamah	mm	250	340
Dimenzije radnih tabela (L x W)	mm	190 x 190	255 x 255

TEHNIČKI PODACI			
Broj članka		45 938	45 939
Model		DPB 16/12 PLUS	DPF 16/12 PLUS
Podešavanje ugla radne table		-45°- 0°- 45°	-45°- 0°- 45°
Prečnik kolone	mm	59,5	70
Osnovne dimenzije (L x W)	mm	334 x 203	428 x 255
Nivo pritiska zvuka (LpA)	db(A)	70,7	73,8
Nivo napajanja zvuka (LwA)	db(A)	84,5	86,8
Neizvesnost (K)	dB	3	3
Visina	mm	840	1.610
Neto težina	kg	25	46

IDENTIFIKACIJA (SL. 1, 2)

1. Mašinsko stopalo
2. Kolone
3. Drška za stezanje
4. Tabela za bušenje
5. Motor
6. Zaključavanje prijanjanja za napetost kaiša
7. Poklopac V pojasa
8. Prekidač za zaustavljanje u slučaju nužde
9. Rukovalac hranom sa tri govori
10. Zaštitnik na rasklapanje
11. Ključna bušilica čak
12. Glava mašine
13. Indikator dubine sa zaustavljanjem
14. Ručica za krank
15. Heksagonalni šraf

OPERACIJA

PRIPREMA JEDINICE

Raspakivanje i dovršavanje montaže treba uraditi na ravnoj i stabilnoj površini, sa dovoljno prostora za premeštanje mašine i njene ambalaže, uvek koristeći odgovarajuću opremu.

Sadržaj paketa:

- ▶ Mašinsko stopalo (x1) (Sl. 2,1)
- ▶ Kolona (x1) (Sl. 2,2)
- ▶ Drška za stezanje (x1) (Sl. 2,3)
- ▶ Bušilica (x1) (Sl. 2,4)
- ▶ Regulator feeda (x3) (Sl. 2,9)
- ▶ Zaštitnik rasklapanja (x1) (Sl. 2,10)
- ▶ Bušilica čak (x1) (Sl. 2,11)
- ▶ Glava mašine (x1) (Sl. 2,12)
- ▶ Drška krank (x1) (Sl. 2,14)
- ▶ Heksagonalni šraf (x4) (Sl. 2,15)
- ▶ Alenov ključ (x2) (Sl. 2, A, 2, B)

Da biste sastavili mašinu:

UPOZORENJE:

Sva potrebna podešavanja za dobar rad vaše mašine urađena su u fabrici. Nemojte ih menjati. Međutim, zbog normalnog habanja i cepanja vašeg alata, neka ponovna podešavanja mogu biti neophodna.

UPOZORENJE:

Uvek isključite računar iz izvora napajanja pre bilo kakvog podešavanja.

Stubičaste i mašinsko stopalo (Sl. 3):

Spustite mašinsko stopalo (1) na zemlju ili radnu tlo. Postavite kolonu (2) na osnovnu ploču tako da se rupe na koloni (2) poravnaju sa rupama na osnovnoj ploči (1). Zabežite četiri heksagonalna šrafa da biste pričvrstili kolonu u osnovnu ploču i zategli ih koristeći heksagonski razmak.

Ugradnja držača za bušenje stola (Sl. 4-7):

1. Da biste instalirali bušilicu, prvo morate ukloniti stalak (C). Koristite Alenov ključ da uklonite prsten (D) i skinite ovo sa kolone (2). Sada izvuci stalak (C) napolje.
2. Ubacite stalak (C) u brazdu na držaču za bušenje (4).
3. Poravnajte stalak (C) centralno u odnosu na držač za bušenje (4).
4. Kada spajate stalak (C) unutar brazde, uverite se da je spoj zuba između rafa i držača za bušenje (4) tačan.
5. Sada stavite držač za stolove za bušenje (4) sa rafom (C) na stub (2) i vodite stalak (C) u donji vodič na stubnom stopalu.
6. Koristite prsten (D) da obezbedite stalak (C). Uverite se da vodič na prstenu (D) pokazuje nadole. Zategnite integrisani Alen šraf da biste afifikuj prsten (D).
7. Stavite ručni krank (14) na okno držača za bušenje stola (4) i obezbedite ga Alen šrafom. Da biste to uradili, koristite Taster Alen (B).
8. Zabežite jednu od drška za stezanje (3) u držač za bušenje stola (4).

Instaliranje glave i stuba mašine (Sl. 8):

Postavite glavu mašine (12) na kolonu (2). Poravnajte vreteno bušilice sa stolom i osnovnom pločom i zategnite Alenov šraf koji se nalazi sa strane glave mašine. Da biste to uradili, koristite Taster Alen (A).

Ugradnja drške (Sl. 9):

Zabeži tri ručke (9) čvrsto u stalak za dršku. Upotrebite heksagonski raspon da to uradite.

Ugradnja zaštitnika na rasklapanje i bušilica čak (Sl. 11):

Gurni zaštitnik na rasklapanje (10) na vreteno na glavi mašine i koristi "Phillips" šrafciğer za glavu da ga osiguraš.

Instaliranje čaka (Sl. 12):

Očistite konusnu rupu u čaku (11) i vreteno kor-neta čistim komadom tkanine. Pobrinite se da na njemu nema stranih čestica, jer će i najmanji komad zemlje sprečiti da čak bude pravilno pozi-

cioniran, što će douzrokuje da se bušilica zaleprša. Gurni čak na vreteno nosa dokle god može. Okrenite rukav čaka u smeru kazaljke na satu (kada se pogleda odozgo) i otvorite čeljusti u čaku u potpunosti. Stavite komad drveta na mašinski sto i spustite vreteno na komad drveta. Pritisnite čvrsto da biste bili sigurni da je uklapanje čaka pravilno urađeno.

BELEŠKE:

Svi goli delovi su podmazani kako bi se zaštitili od korozije. Pre nego što se bušilica baci na vreteno, oba dela moraju biti potpuno degustisana koristeći ekološki prihvatljiv rastvarač. Na taj način se obezbeđuje optimalan prenos energije.

Instaliranje mašine:

Pre nego što prvi put upotrebite bušilicu, ona mora da se montira u stationarni položaj na čvrstoj površini. Iskoristite obe rupe na osnovnoj ploči da to uradite. Uverite se da je mašina slobodno dostupna za rad, podešavanje i održavanje.

UPOZORENJE:

Šrafovi za fiksiranje mogu biti zategnuti samo do tačke kada se ne iskrivljuju ili deformišu osnovnu ploču. Preterana napetost može dovesti do preloma.

BELEŠKE:

Instalirani elektromotor je potpuno ozvučen spreman za rad. Veza kupca sa sisom napajanja i svim produžnim kablovima koji se mogu koristiti, mora biti u skladu sa lokalnim propisima. Redovno proveravajte kablove za električnu vezu da biste oštetili. Uverite se da je kabl isključen iz glavne e-poruke prilikom provere. Kablovi za električnu vezu moraju biti u skladu sa propisima koji važe u vašoj zemlji.

Jednosazni motor:

- ▶ Glavni napon mora da se poklopi sa naponom navedenim na motornoj ploči za ocenjivanje.
- ▶ Kablovi dimenzija do dužine 25 metara moraju imati presek od 1,5mm² i preko 25m najmanje 2,5mm².
- ▶ Veza sa glavnim mora biti zaštićena odgovarajućim sporim glumačkim osiguračima.

BELEŠKE:

Motor se automatski isključuje u slučaju preopterećenog tereta. Motor se može ponovo uključiti nakon perioda hlađenja koji može da varira.

UPOZORENJE:

Povežite mašinu samo sa utičnicom sa pravilno instaliranim zemljanim kontaktom.

UPRAVLJANJE JEDINICOM

UPOZORENJE:

Radi vaše bezbednosti, držite mašinu isključenu na poziciji dok obavljate neku od sledećih procedura. Mašina treba da bude uključena, samo ako određeni korak procedure navodi tako i samo za taj određeni korak.

Instaliranje bitova bušilice:

UPOZORENJE:

Samo cilindrični alati sa predviđenim maksimalnim prečnikom okna mogu biti stegnuti u scroll chucku. Koristite samo alatku koja je oštra i oslobođena

nedostataka. Nemojte koristiti alate čije je okno oštećeno ili koje su deformisane ili manjkave na bilo koji drugi način. Koristite samo pribor i priloge koji su navedeni u operativnim uputstvima ili su odobreni od strane proizvođača. Ako stubna bušilica treba da se zaglavi, isključite mašinu i vratite bušilicu na početnu poziciju.

Ubacite bušilicu dovoljno daleko da dobijete maksimalno zahvatanje čak čeljusti. Kada koristite mali deo bušilice nemojte ga ubacivati do sada da čeljusti dodiruju spiralne žlebove griza bušilice. Pobrinite se da deo bušilice bude centriran u čaku pre nego što zategnete čak ključem. Dovoljno zategnite bušilicu, tako da deo bušilice ne sklizne dok bušite.

Okreni ključ od čaka u smeru kazaljke na satu da se zategne, u smeru kazaljke na satu da se opusti.

BELEŠKE:

Tvoja stubna bušilica je opremljena bez ključa. Ovo omogućava da se alatke menjaju bez potrebe za dodatnim ključem za čak. Da biste to uradili, ubacite alat u bušilicu za brzu promenu čak i zategnite ručkom.

Podešavanje brzine (Sl. 1):

Brzina rada mašine je beskonačno podesiva.

BELEŠKE:

Podešavanja brzine su dozvoljena samo kada motor radi i kada je u nusu.

Polako i ravnomerno pomerajte ručicu kontrole brzine (6) dok je mašina u režimu šlema. Uverite se da mašina može da radi bez prekida (npr. uklonite radne komade, komadiće bušilice itd.).

UPOZORENJE:

Nikada ne dozvolite da se bušenje stubova pokrene kada je poklopac V pojasa otvoren. Uvek povuci struju pre nego što otvoriš poklopac. Nikad ne diraj V-pojas kada se rotira.

Dubinsko zaustavljanje bušilice (Sl. 13):

Vreteno za bušenje ima prsten na skali (17) za postavljanje dubine bušilice. Postavku podesite samo kada je oprema u zastoju.

1. Pritisnite vreteno za bušenje nadole dok vrh bušilice ne dotakne radni deo.
2. Olabavite šraf za stezanje (13) i okrenite prsten skale (17) napred dok ne stane.
3. Vratite prsten skale (17) na željenu dubinu bušilice, a zatim zaključajte ovu postavku na svoje mesto pomoću šrafa za stezanje (13).

BELEŠKE:

Prilikom podešavanja dubine bušilice cilindrične rupe morate dodati dužinu vrha bušilice.

Postavljanje ugla stola za bušenje (Sl. 14):

Olabavite šraf kočije (18) ispod stola za bušenje. Postavite sto za bušenje pod željeni ugao. Zategnite šraf kočije (18) kako biste zaključali sto za bušenje u ovu poziciju.

Postavljanje visine stola za bušenje (Sl. 15):

Olabavite šraf za zatezanje (3). Postavite sto za bušenje na željenu poziciju uz pomoć ručne krank (14). Zajebi šraf za zatezanje (3) nazad.

Podešavanje vretenaste povratne opruge (Sl. 16):

Možda će biti potrebno prilagoditi vretenu povratka proleća jer mu se napetost promenila i vreteno se kreće prebrzo ili previše sporo. Da biste to uradili:

1. Spustite tabelu za više radnog prostora.
2. Radite na levoj strani bušilice.
3. Ubacite šrafciğerer u donji prednji žleb (1) i držite ga.
4. Uklonite vanseriji orah (3) ključem.
5. Pošto je šrafciğerer još uvek u orahu, olabavite unutrašnji orah (4) dok se notch ne odvoji od čvorišta (6).

Upozorenje:

Proleće je pod tenzijom.

6. Pažljivo okrenite prolećnu kapu (2) u smeru suprotnom od kazaljke na satu šrafciğererom dok ne pritisnete orah (1) u čvorište (6).
7. Spustite vreteno na najnižu poziciju i držite prolećnu kapu (2) na poziciji. Kada se vreteno pomera gore-dole po želji, ponovo zategnite unutrašnji orah (4).
8. Ako je previše labavo, ponovite korake 3-5. Ako je pretesan, obrni korak 6.
9. Obezbedite otvoreni orah (3) protiv unutrašnjeg oraha (4) otvorenim ključem.

Beleške:

Nemojte se preterano stezati i ne ograničavajte kretanje vretena.

Aksijalna operacija vretena (Sl. 17):

Kada je vreteno u donjem položaju, okrenite ga ručno. Ako ukažete da je operacija prevelika, nastavite na sledeći naiv:

1. Olabavite orah od brave (19).
2. Okrenite šraf u smeru kazaljke na satu (20), da biste izbalansirali operaciju, bez ometanja pokreta okretanja naviše i nadole (malo rada je normalno).
3. Ponovo zategnite orah od brave (19).

Pozicioniranje radnog dela:

Po opštem pravilu, koristite porok mašine ili neki drugi odgovarajući uređaj za stezanje kako biste obezbedili radni deo na poziciji. Nikada ne držite radni deo na mestu rukom. Prilikom bušenja, radni deo bi trebalo da bude u mogućnosti da putuje na sto za bušenje u svrhu egocentra. Uverite se da radni deo ne može da se rotira. To je najbolje postići postavljanjem radnog dela /mašinskog poroka u čvrst blok.

BELEŠKE:

Delovi lima moraju biti stegnuti da bi se sprečilo njihova cepanja. Pravilno podesite visinu i ugao tablete bušilice za svaki radni deo. Mora postojati dovoljna razdaljina između gornje ivice radnog dela i vrha dela bušilice.

BELEŠKE:

Stavite komad rezervnog materijala (npr. drvo) na sto ispod radnog dela. Na taj način ćete sprečiti cepanje ili pravljenje teškog bureta na donje strane radnih delova dok se deo bušilice probija.

UPOZORENJE:

Da bi se materijal rezervne kopije izmakao kontroli, on mora da kontaktira levu stranu kolone kao ilustr-

vanu. Ako radni deo ili materijal rezervne kopije nisu dovoljno dugački da stignu do kolone, stegnite ih za sto. Neuspeh u ovome mogao bi da rezultira ličnom povredom.

BELEŠKE:

Za male komade koji se ne mogu stegnuti za sto koristite vise za presu bušilice (opcionalni pribor). Porok mora biti stegnut ili zabavljen za sto da bi se izbeglo okretanje ili lom.

Brzina izbora:

Uverite se da bušite odgovarajućom brzinom. Brzina bušilice zavisi od prečnika bita bušilice i dotičnog materijala.

Sledeća tabela deluje kao vodič za izbor odgovarajuće brzine za različite materijale:

Bušilica bit ø	Liveno gvožđe	Čelik	Gvozdeni	Alu minijum	Bronzanu
3	2.550	1.600	2.230	9.500	8.000
4	1.900	1.200	1.680	7.200	6.000
5	1.530	955	1.340	5.700	4800
6	1.270	800	1.100	4.800	4.000
7	1.090	680	960	4.100	3.400
8	960	600	840	3.600	3.000
9	850	530	740	3.200	2.650
10	765	480	670	2.860	2.400
11	700	435	610	2.600	2.170
12	640	400	560	2.400	2.000
13	590	370	515	2.200	1.840
14	545	340	480	2.000	1.700
16	480	300	420	1.800	1.500
18	425	265	370	1.600	1.300
20	380	240	335	1.400	1.200
22	350	220	305	1.300	1.100
25	305	190	270	1.150	950

BELEŠKE:

Brzine bušilice navedene iznad su samo predložene vrednosti.

Kontrasinking i bušenje centra:

Pomoću ove stone bušilice možete da se suprotstavite i centralnoj bušilici. Molimo vas da obratite pažnje da kontrasinking treba da se izvodi na nižim brzinom, dok je za bušenje centra potrebna velika brzina.

ODRŽAVANJE I ČIŠĆENJE**UPOZORENJE:**

Radi vaše bezbednosti, isključite isključivanje i uklanjanje utikača iz utičnice izvora napajanja pre bilo kakvog rada održavanja na presi bušilice. Održavajte aparat čistim. Da biste izbegli oštećenje motora, izduvajte ili usisajte često ovaj motor kako bi sprečio da prašina za štampu buši ometa normalnu motornu ventilaciju.

KABL ZA NAPAJANJE

Da biste izbegli opasnost od šoka ili požara, ako je kabl za napajanje crv ili isečen, ili oštećen na bilo koji način, neka ga odmah zamenite.

Neispravni kablovi za električnu vezu:

Kablovi za električnu vezu često trpe oštećenja izolacije. Mogući uzroci su:

1. Tačke udara kada se kablovi za povezivanje protiče kroz prozor ili praznine na vratima.
2. Kinks je rezultat neispravnog priloga ili polaganja kabla za povezivanje.
3. Rezovi nastali prelamanjem kabla za povezivanje.
4. Oštećenje izolacije je posledica nasilnog izvlačenja iz zidne utičnice.
5. Pukotine kroz starenje izolacije.

Takvi neispravni kablovi za električno povezivanje ne smeju da se koriste jer ih oštećenje izolacije čini izuzetno opasnim.

PODMAZIVANJE

Periodično podmazite pokretne delove.

ČIŠĆENJE

Koristite malu meku četku za čišćenje spoljašnjosti jedinice. Ne koristite jake deterdžente. Čistači domaćinstava koji sadrže aromatična ulja kao što su bor i limun i rastvarači kao što je kerozin mogu da oštete plastična kućište ili dršku. Obrišite svaku vlagu mekom krpom. Uklonite prašinu, prljavštinu i mahinacije odgovarajućim usisivačem ako je potrebno.

SKLADIŠTENJE

UPOZORENJE:

Isključite prekidač i uklonite utikač iz utičnice izvora napajanja da biste uskladištili računar.

Jedinicu čuvajte samo u suvim i dobro provetrenim delovima.

U slučaju da će jedinica biti uskladištena duže vreme, koristite sledeću proceduru skladištenja:

1. Temeljno očistite jedinicu i proverite da li ima labavih ili oštećenih delova. Popravite ili zamenite oštećene delove i zategnite labave šrafove, orahe ili šrafove.
2. Podmazite i nanesite mast, tamo gde je potrebno.
3. Uskladištite jedinicu u originalnom pakovanju.

ZAŠTITA ŽIVOTNE SREDINE

Reciklirajte sirovine umesto da odlažete kao otpad. Mašina, pribor i ambalaža treba da se sortiraju za reciklažu pogodnu za životnu sredinu. Plastične komponente su označene za kategorizovanu reciklažu.

Ovaj proizvod ne sme da se odlaže zajedno sa domaćim otpadom u skladu sa relativnim zakonodavstvom koje se odnosi na otpad električne i elektronske opreme. Ovaj proizvod mora biti odložen na određenom mestu prikupljanja. Do toga može doći, na primer, predajom na ovlašćenom mestu za prikupljanje za reciklažu otpadne električne i elektronske opreme. Nepravilno ru-

kovanje opremom za otpad može imati negativne posledice po životnu sredinu i ljudsko zdravlje zbog potencijalno opasnih materija koje se često nalaze u električnoj i elektronskoj opremi. Pravilnom uklanjanjem ovog proizvoda doprinosite i efikasnom korišćenju prirodnih resursa.

Informacije o punktovima za prikupljanje otpadne opreme možete dobiti od vaše opštinske uprave, organa za odlaganje javnog otpada, ovlašćenog tela za odlaganje otpadne električne i elektronske opreme ili vašeg preduzeća za odlaganje otpada.

GARANCIJE

Ovaj proizvod je garantovan u skladu sa zakonskim / državnim propisima, koji stupaju na snagu od dana kupovine od strane prvog korisnika. Šteta koja se može pripisati normalnom habanomu i cedanju, preopterećenju ili nepravilnom rukovanju biće isključena iz garancije. U slučaju zahteva, pošaljite mašinu, potpuno okupljenu, vašem dileru ili zvaničnom servisnom centru.

HRVATSKI

OPĆA UPOZORENJA O SIGURNOSTI

Pročitajte i razumite ovaj priručnik prije upotrebe ovog proizvoda. Sprečavanju nesreća možete pomoći upoznavanjem kontrola vašeg proizvoda i poštivanjem sigurnih radnih postupaka i sigurnosnih znakova. Uvijek koristite zdrav razum kako biste izbjegli sve situacije koje se smatraju izvan vaših mogućnosti. Ne koristite dok ste umorni ili pod utjecajem droga, alkohola ili bilo kojih drugih lijekova. Držite prolaznike i životinje koje bi mogle biti ozlijeđene, kao i predmete koji bi mogli biti oštećeni, dok radite. Nikada ne dopuštajte djeci ili ljudima koji nisu upoznati s ovim uputama da koriste proizvod. Lokalni zakoni mogu ograničiti minimalnu dob operatera. Imajte na umu da je operater ili korisnik odgovoran za nesreće ili neočekivane događaje koji se događaju drugim ljudima, životinjama ili njihovoj imovini. Ne izlažite proizvod prekomjernoj vlazi, prašini, prljavštini ili korozivnim parama. Nemojte montirati opremu ili pribor na stroj koji nisu predviđeni ili odobreni od strane proizvođača. Nikada ne pokušavajte modificirati proizvod. Neovlaštene preinake ili dodaci mogu dovesti do ozbiljnih tjelesnih ozljeda ili smrti operatera ili drugih. Za demontažu i servis, koji nisu obuhvaćeni ovim priručnikom, obratite se ovlaštenom dobavljaču. Ako se tijekom rada nešto pokvari ili se dogodi nesreća, odmah isključite stroj i odmaknite ga kako biste spriječili daljnje oštećenje. U slučaju da je strano tijelo ušlo u stroj, odmah ga zaustavite, pregledajte ga radi oštećenja i popravite prije ponovnog pokretanja.

ZAŠTITNA OPREMA

Obavezno koristite prikladnu i certificiranu zaštitnu opremu prilikom upravljanja jedinicom. Uvijek nosite odjeću koja ne ometa pokrete, zaštitne rukavice, zaštitne naočale, respirator s polumaskom, zaštitu za uši i zaštitne čizme protiv smicanja na potklizajućim potplatima. Nikada nemojte nositi šalove, ogrlice ili bilo koji pribor za vješanje ili lepršanje koji bi se mogao zakačiti za stroj. Zavežite kosu ako je duga.

OPASNOSTI OD POŽARA I OŽIGA

Kvarovi na električnoj opremi mogu uzrokovati iskre koje bi mogle zapaliti zapaljivi materijal. Pazite da radno područje održavate čistim i urednim te da stroj ne upotrebljavate u blizini zapaljivih materijala. Ako se dogodi požar, upotrijebite odgovarajući uređaj za gašenje požara. Nakon rada ne dodirujte rotirajuće dijelove i alat za bušenje. Neke se površine mogu jako zagrijati tijekom uporabe i treba im ostaviti vrijeme da se ohlade prije nego što ih dodirnete.

SIGURNOSNA UPOZORENJA KATEGORIJE

SIGURAN RAD

Sve operativne poluge stroja moraju se lako premješti iz jednog položaja u drugi i ne smiju trebati prisiljavanje. Električni kabeli, a posebno glavni kabel moraju biti u savršenom stanju kako bi se izbjeglo stvaranje iskre ili rizik od električnog udara. Držači i zaštitni uređaji moraju biti čisti i suhi, kao i sigurno

pričvršćeni na stroj. Upravlajte strojem objema rukama. Obavezno koristite ispravan alat za svaki posao kako biste izbjegli kvar ili ozljede stroja i izbjegli preopterećenje stroja. Oznake napona i frekvencije napajanja električnom energijom moraju biti unutar specifikacija stroja. Provjerite je li prekidač stroja isključen kad ga priključite kako biste izbjegli rizik zbog nenamjernog pokretanja. Izvadite sve ključeve i ključeve iz stroja prije rada.

Obavezno zaustavite stroj i isključite ga iz električne mreže:

- Prilikom montiranja ili uklanjanja pribora i alata.
- Kad god stroj ostavite bez nadzora.
- Tijekom čišćenja ili održavanja.
- Tijekom strojnog premještanja, transporta ili skladištenja.

U slučaju kvara ili zaglavlivanja stroja, odmah isključite stroj i uklonite ga iz izvora napajanja. Stroj se ne smije ponovno pokretati ako se zaglavlivanje ne ukloni ili se kvar popravi, po potrebi u ovlaštenom servisnom centru. Stroj bi se mogao zaglaviti kada:

- Stroj je preopterećen.
- Obradak koji se obrađuje zaglavljen je.

OPASNOSTI OD STRUJE

Provjerite jesu li električni kabeli stroja i mrežni utikač na koji je spojen u dobrom stanju i nisu istrošeni. Nikada nemojte koristiti oštećeni stroj ili stroj s oštećenim ili istrošenim električnim kabelima i utikačima. Ne izlažite stroj i električne kabele mokrim uvjetima i nikada ih ne dodirujte kad su mokri. Koristite utičnicu s kontaktom uzemljenja.

Ne dolazite u kontakt s uzemljenim površinama ili električnim kabelima kako biste izbjegli rizik od električnog udara. Ne koristite kabel za izvlačenje utikača iz utičnice.

Da biste spriječili oštećenje kabela za napajanje, uvijek odvedite kabel za napajanje od stražnjeg dijela stroja i zaštitite ga od topline, ulja i oštrih predmeta. Kad se stroj koristi na otvorenom, koristite samo produžne kabele namijenjene vanjskoj uporabi. Poprečni presjek bilo kojeg produžnog kabela mora biti najmanje 1,5 mm², a mrežni priključak mora biti zaštićen odgovarajućim osiguračem.

OPASNOSTI OD ROTIRANJA DIJELOVA

Rotirajući dijelovi mogu prouzročiti ozbiljne ozljede. Izbjegavajte kontakt rotirajućih dijelova dok su još u rotaciji i pobrinite se da sve što može ostati zarobljeno u upravljačkom stroju, poput raspuštene kose i odjeće, bude podalje. Držite ruke dalje od područja obrade tijekom upravljanja strojem.

Ne radite na predmetima koji su premali da biste ih sigurno stegnuli na svoje mjesto.

Provjerite ispravnost poravnanja pokretnih i rotirajućih dijelova ili druge kvarove koji mogu predstavljati izvor opasnosti. Oštećeni štitičnik ili neki drugi dio treba zamijeniti ovlaštenu servis prije rada sa strojem.

Ne dodirujte rotirajuće dijelove prije nego što se potpuno zaustave.

OPASNOSTI OD BUKE I VIBRACIJA

Razine buke prikazane u ovim uputama maksimalne su razine za korištenje stroja. Nedovoljno održava-

nje ima značajan utjecaj na vibracije i emisiju buke. Sljedećom toga, potrebno je poduzeti preventivne korake kako bi se eliminirale moguće štete zbog visoke razine buke i stresa od vibracija. Dobro održavajte stroj, nosite uređaje za zaštitu ušiju, antiburbačke rukavice i pravite pauze tijekom rada.

OPASNOSTI NA RADNOM PODRUČJU

Temeljito pregledajte cijelo radno područje i pomoću grablja ili dvorišne četke ručno otpustite ostatke i uklonite sve što bi moglo predstavljati opasan izvor ili oštetiti stroj. Neka radno područje bude čisto i uredno. Nemojte rukovati strojem u mokrim uvjetima ili kad je sam stroj mokar. Stroj držite podalje od zapaljivih materijala. Provjerite nema li posmatrača, životinja ili predmeta koji bi mogli biti oštećeni u roku djelovanja stroja.

Radite samo u dobro prozračenim prostorima. Opljci i prah od pila mogu predstavljati opasnost po zdravlje prilikom udisanja ili dodira s očima. Uvijek nosite odgovarajući respirator s polumaskom i zaštitne naočale kada radite s takvim materijalima i koristite uređaj za usisavanje prašine.

Radite samo na dnevnom svjetlu ili s prikladnom umjetnom svjetlošću, u uvjetima dobre vidljivosti. Pokušajte ne uzrokovati smetnje bukom, koristeći ovaj stroj samo u razumno doba dana.

Zauzmite čvrst i uravnotežen položaj. Gdje je moguće, izbjegavajte raditi na mokrom, skliskom tlu ili u svakom slučaju na neravnom ili strmom terenu koji ne garantira stabilnost rukovatelja.

Skladištenje alata koji se ne koriste treba obavljati na suhom i sigurnom mjestu, daleko od pogonskog stroja i izvan dohvata djece.

PREOSTALE OPASNOSTI

Stroj je izrađen primjenom moderne tehnologije i u skladu s priznatim sigurnosnim pravilima. Čak i kad su sve sigurnosne mjere na mjestu, mogu postojati neke preostale opasnosti, koje još nisu očište. Operater treba koristiti zdrav razum i poduzeti potrebne mjere predostrožnosti kako bi izbjegao rizik zbog preostalih opasnosti.

SPECIFIKACIJE PROIZVODA

NAMJENA KORIŠTENJA

Ovaj je stroj dizajniran i proizveden za obradu radnih komada bušenjem npr. komadići drveta, plastike, metala i sličnog materijala. Nije dizajniran za tešku komercijalnu upotrebu.

Svaka druga upotreba koja se razlikuje od gore spomenute može biti opasna, naštetiti ljudima i / ili oštetiti stvari i sam stroj.

NEPRAVILNA UPOTREBA

Stroj se ne smije koristiti za obradu opasnih materijala, npr. nakupljanje zapaljivih ili eksplozivnih proizvoda i bilo kojeg drugog predmeta koji bi mogao biti opasan za sam stroj, kao i za operatera, prolaznike, životinje ili imovinu.

Ostali primjeri nepravilne upotrebe mogu uključivati, ali nisu ograničeni, na rad stroja:

- ▶ Bez originalnog pribora koji je isporučio proizvođač.

- ▶ S originalnim dodacima, ali na način koji nije u skladu s uputama.
- ▶ Bez originalnih rezervnih dijelova.
- ▶ Uz neovlaštene preinake.

BILJEŠKA:

Prema važećim zakonima o odgovornosti za proizvod, proizvođač uređaja ne preuzima odgovornost za štetu na proizvodu ili štetu nastalu proizvodom koja nastaje uslijed:

- ▶ Nepravilno rukovanje nije u skladu s uputama za uporabu.
- ▶ Popravke trećih strana, a ne ovlaštenih serviser.
- ▶ Ugradnja neoriginalnih rezervnih dijelova.
- ▶ Nenamjenska upotreba.
- ▶ Kvar električnog sustava uslijed snage stroja na način koji nije u skladu s električnim i VDE propisima.

TEHNIČKI PODACI

Broj artikla		45 938	45 939
Model		DPB 16/12 PLUS	DPF 16/12 PLUS
Ocijenjeni napon	V	230-240	230-240
Ocijenjena frekvencija	Hz	50	50
Snaga	W	550 (S1)	550 (S1)
Broj brzina		12	12
Raspon brzine	rpm	230-2.500	220-2.600
Maksimalni kapacitet smješavanja	mm	13	13
Chuck moždani udar	mm	60	80
Ljuljačka	mm	250	340
Dimenzije radne tablice (L x W)	mm	190 x 190	255 x 255
Podešavanje kuta radne tablice		-45°- 0°- 45°	-45°- 0°- 45°
Promjer stupca	mm	59,5	70
Osnovne dimenzije (L x W)	mm	334 x 203	428 x 255
Razina tlaka zvuka (LpA)	db(A)	70,7	73,8
Razina snage zvuka (LwA)	db(A)	84,5	86,8
Neizvjesnost (K)	dB	3	3

TEHNIČKI PODACI			
Broj artikla		45 938	45 939
Model		DPB 16/12 PLUS	DPF 16/12 PLUS
Visina	mm	840	1.610
Neto težina	kg	25	46

IDENTIFIKACIJA (SL. 1, 2)

1. Noga stroja
2. Stupac
3. Stezna ručka
4. Stol za bušenje
5. Motor
6. Držač za zaključavanje za zatezanje remena
7. Poklopac klinastog remena
8. Prekidač za zaustavljanje u nuždi
9. Ručka za uvlačenje s tri kraka
10. Sklopivi zaštitnik
11. Stezna glava za bušilicu
12. Glava motora
13. Pokazatelj dubine sa zaustavljanjem
14. Ručica radilice
15. Šesterokutni vijak

OPERACIJA

PRIPREMA JEDINICE

Raspakiranje i dovršavanje sklopa treba obaviti na ravnoj i stabilnoj površini, s dovoljno prostora za pomicanje stroja i njegove ambalaže, uvijek koristeći prikladnu opremu.

Sadržaj paketa:

- ▶ Noga stroja (x1) (Sl. 2.1)
- ▶ Stupac (x1) (Sl. 2.2)
- ▶ Stezna ručka (x1) (Sl. 2.3)
- ▶ Stol za bušenje (x1) (Sl. 2.4)
- ▶ Ručka za uvlačenje (x3) (Sl. 2.9)
- ▶ Sklopivi štitičnik (x1) (Sl. 2.10)
- ▶ Stezna glava (x1) (Sl. 2.11)
- ▶ Glava stroja (x1) (Sl. 2.12)
- ▶ Ručica radilice (x1) (Sl. 2.14)
- ▶ Šesterokutni vijak (x4) (Sl. 2.15)
- ▶ Ključ imbus (x2) (Sl. 2.A, 2.B)

Za sastavljanje stroja:

UPOZORENJE:

Sve potrebne prilagodbe za dobar rad vašeg stroja izvršene su u tvornici. Nemojte ih mijenjati. Međutim, zbog normalnog trošenja vašeg alata možda će biti potrebne neke ponovne prilagodbe.

UPOZORENJE:

Prije bilo kakvog podešavanja uvijek isključite uređaj iz napajanja.

Stupac i noga stroja (Sl. 3):

Nogu stroja (1) odložite na tlo ili radni stol. Postavite stupac (2) na osnovnu ploču tako da se rupe na stupu (2) poravnaju s rupama na osnovnoj ploči (1). Uvrnite četiri šesterokutna vijka kako biste pričvrstili stup na osnovnu ploču i zategnite ih pomoću šesterokutnog ključa.

Ugradnja držača stola za bušenje (Sl. 4-7):

1. Da biste instalirali bušilicu, prvo morate ukloniti stalak (C). Upotrijebite imbus ključ za uklanjanje prstena (D) i izvucite ga sa stupa (2). Sada izvucite stalak (C).
2. Umestite stalak (C) u utor na držaču stola za bušenje (4).
3. Poravnajte stalak (C) u odnosu na držač stola za bušenje (4).
4. Kad spajate stalak (C) zajedno u utoru, osigurajte da je mrežica zuba između stalka i držača stola za bušenje (4) ispravna.
5. Sada postavite držač stola za bušenje (4) s nosačem (C) na stupac (2) i unesite stalak (C) u donju vodilicu regala na nozi stupa.
6. Pomoću prstena (D) učvrstite stalak (C). Uvjerite se da je vodilica nosača na prstenu (D) usmjerena prema dolje. Pritegnite integrirani imbus vijak da biste pričvrstili prsten (D).
7. Postavite ručnu radilicu (14) na osovinu držača stola za bušenje (4) i učvrstite je imbus vijkom. Da biste to učinili, upotrijebite imbus ključ (B).
8. Uvrnite jednu od steznih ručica (3) u držač stola za bušenje (4).

Ugradnja glave i stupa stroja (Sl. 8):

Postavite glavu stroja (12) na stupac (2). Poravnajte vreteno svrdla sa stolom i osnovnom pločom i zategnite imbus vijak koji se nalazi sa strane glave stroja. Da biste to učinili, upotrijebite imbus ključ (A).

Postavljanje ručki (Sl. 9):

Dobro pričvrstite tri ručke (9) u nosač ručke. Upotrijebite šesterokutni ključ za to.

Ugradnja sklopivog zaštitnika i stezne glave (Sl. 11):

Gurnite sklopivi zaštitnik (10) na vreteno na glavi stroja i pričvrstite ga pomoću odvijčača s glavom "Phillips".

Ugradnja stezne glave (Sl. 12):

Očistite konusnu rupu u steznoj glavi (11) i konus vretena čistim komadom tkanine. Pazite da na njemu nema stranih čestica jer će i najmanji komad prljavštine spriječiti pravilno postavljanje stezne glave zbog čega će se svrdlo klimati. Gurnite steznu glavu na vrh vretena što dalje. Okrenite čahuru stezne glave u smjeru suprotnom od kazaljke na satu (kada se gleda odozgo) i potpuno otvorite čeljusti u steznoj glavi. Stavite komad drveta na stol stroja i spustite vreteno na komad drveta. Čvrsto pritisnite kako biste osigurali pravilno postavljanje stezne glave.

BILJEŠKA:

Svi goli dijelovi su podmazani kako bi se zaštitili od korozije. Prije postavljanja stezne glave na vreteno, oba dijela moraju se u potpunosti odmastiti ekološkim otapalom. To osigurava optimalan prijenos snage.

Instaliranje uređaja:

Prije nego što prvi put upotrijebite bušilicu, ona se mora postaviti u mirujuć položaj na čvrstoj površini. Upotrijebite obje rupe za pričvršćivanje na osnovnoj ploči. Osigurajte da je stroj slobodno dostupan za rad, podešavanje i održavanje.

UPOZORENJE:

Vijci za pričvršćivanje smiju se zategnuti samo do točke u kojoj neće iskriviti ili deformirati temeljnu ploču. Pretjerana napetost može dovesti do prijeloma.

BILJEŠKA:

Instalirani elektromotor potpuno je ožičen i spreman za rad. Priključak kupca na sustav napajanja i svi produžni kabeli koji se mogu koristiti moraju biti u skladu s lokalnim propisima. Redovito provjeravajte oštećenja na električnim priključnim kabelima. Pri provjeri provjerite je li kabel odspojen od električne mreže. Električni kabeli za povezivanje moraju biti u skladu s propisima koji vrijede u vašoj zemlji.

Jednofazni motor:

- ▶ Mrežni napon mora se podudarati s naponom navedenim na tipskoj pločici motora.
- ▶ Dimenzioni kabeli do duljine od 25 m moraju imati poprečni presjek 1,5 mm², a preko 25 m najmanje 2,5 mm².
- ▶ Priključak na električnu mrežu mora biti zaštićen odgovarajućim osiguračem usporenog djelovanja.

BILJEŠKA:

Motor se automatski isključuje u slučaju preopterećenja. Motor se može ponovno uključiti nakon razdoblja hlađenja koje može varirati.

UPOZORENJE:

Stroj priključite samo u utičnicu s pravilno instaliranim kontaktom uzemljenja.

UPRAVLJANJE JEDINICOM**UPOZORENJE:**

Zbog vlastite sigurnosti držite prekidač stroja u isključenom položaju tijekom izvođenja bilo kojeg od dolje opisanih postupaka. Stroj treba biti uključen, samo ako to navodi određeni korak postupka i samo za taj određeni korak.

Ugradnja svrdla:**UPOZORENJE:**

U zavojnu steznu steznu glavu mogu se stezati samo cilindrični alati s predviđenim maksimalnim promjerom osovine. Koristite samo alat koji je oštar i bez nedostataka. Ne koristite alate čija je osovina oštećena ili su na bilo koji drugi način deformirani ili oštećeni. Koristite samo pribor i dodatke koji su navedeni u uputama za uporabu ili ih je odobrio proizvođač. Ako se svrdlo stupa zaglavi, isključite stroj i vratite svrdlo u početni položaj.

Umetnite svrdlo u steznu glavu toliko daleko da postignete maksimalno prijanjanje čeljusti stezne glave. Kad koristite malu bušilicu, nemojte je umetati toliko da čeljusti dodiruju spiralne žljebove svrdla. Provjerite je li svrdlo centrirano u steznoj glavi prije zatezanja stezne glave ključem stezne glave. Dovoljno zategnite steznu glavu, tako da svrdlo ne sklizne tijekom bušenja.

Okrenite tipku stezne glave u smjeru kazaljke na satu da se stegne, a suprotno od kazaljke na satu da biste je olabavili.

BILJEŠKA:

Vaša bušilica za stupove opremljena je steznom glavom bez ključa. To omogućuje izmjenu alata bez potrebe za dodatnim steznim ključem. Da biste to učinili, umetnite alat u brzo promjenjivu steznu steznu glavu i zategnite rukom.

Podešavanje brzine (SL 1):

Brzina rada stroja je beskonačno podesiva.

BILJEŠKA:

Podešavanje brzine dopušteno je samo kada motor radi i radi u praznom hodu.

Polako i ravnomjerno pomičite ručicu za kontrolu brzine (6) dok je stroj u stanju mirovanja. Osigurajte da stroj može raditi bez prekida (npr. Uklonite radne dijelove, svrdla itd.).

UPOZORENJE:

Nikada ne puštajte da bušilica stupa radi dok je poklopac klinastog remena otvoren. Uvijek povucite utikač prije otvaranja poklopca. Nikada ne dodirujte remen dok se okreće.

Graničnik dubine bušenja (SL 13):

Vreteno za bušenje ima okretni prsten skale (17) za podešavanje dubine bušenja. Postavku podesite samo kada oprema miruje.

1. Pritisnite vreteno za bušenje prema dolje dok vrh svrdla ne dodirne obradak.
2. Otpustite stezni vijak (13) i okrenite prsten vage (17) prema naprijed dok se ne zaustavi.
3. Okrenite prsten skale (17) natrag na željenu dubinu bušenja, a zatim učvrstite ovu postavku na mjesto pomoću steznog vijka (13).

BILJEŠKA:

Pri podešavanju dubine bušenja cilindrične rupe morate dodati duljinu vrha bušenja.

Postavljanje kuta stola za bušenje (SL 14):

Otpustite vijak nosača (18) ispod stola za bušenje. Postavite stol za bušenje na željeni kut. Pritegnite vijak nosača (18) kako biste učvrstili kut za bušenje u ovaj položaj.

Postavljanje visine stola za bušenje (SL 15):

Otpustite stezni vijak (3). Pomoću ručne poluge (14) postavite stol za bušenje u željeni položaj. Ponovno zavijte stezni vijak (3).

Podešavanje povratne opruge vretena (SL 16):

Možda će biti potrebno prilagoditi povratnu oprugu vretena jer se njegova napetost promijenila i vreteno se prebrzo ili presporo pomiče natrag. Učiniti tako:

1. Spustite stol za više radnog prostora.
2. Radite na lijevoj strani bušilice.
3. Umetnite odvijač u donji prednji utor (1) i držite ga.
4. Uklonite vanjsku maticu (3) ključem.
5. S odvijačem koji je još uvijek u matici, otpustite unutarnju maticu (4) dok se urez ne odvoji od glavčine (6).

UPOZORENJE:

Proljeće je pod napetošću.

6. Pažljivo okrećite odvijač poklopca opruge (2) u smjeru suprotnom od kazaljke na satu dok maticu (1) ne pritisnete u glavčinu (6).
7. Spustite vreteno u najniži položaj i držite poklopac opruge (2) u položaju. Kad se vreteno pomiče prema gore i prema dolje, ponovno zategnite unutarnju maticu (4).
8. Ako je previše labav, ponovite korake 3-5. Ako je preusko, preokrenite korak 6.
9. Vanjsku maticu (3) učvrstite za unutarnju maticu (4) otvorenim ključem.

BILJEŠKA:

Nemojte pretjerano zatezati i ne ograničavati kretanje vretena.

Osovinski rad vretena (SL 17):

Kad je vreteno u donjem položaju, okrenite ga rukom. Ako utvrdite da je operacija prevelika, postupite na sljedeći način:

1. Otpustite sigurnosnu maticu (19).
2. Okrećite vijak u smjeru kazaljke na satu (20), kako biste uravnotežili rad, bez ometanja kretanja vretena gore-dolje (mali rad je normalan).
3. Ponovno zategnite sigurnosnu maticu (19).

Pozicioniranje radnog predmeta:

Kao općenito pravilo, upotrijebite strojnu škripac ili drugi prikladni stezni uređaj da biste učvrstili radni predmet u položaju. Nikada ne držite radni predmet na mjestu rukom. Tijekom bušenja, radni komad bi trebao biti u mogućnosti kretati se po stolu za bušenje u svrhu samocentriranja. Osigurajte da se radni predmet ne može okretati. To se najbolje postiže postavljanjem radnog komada / škripca stroja na čvrst blok.

BILJEŠKA:

Dijelovi od lima moraju biti stegnuti kako bi se spriječilo njihovo poderanje. Ispravno postavite visinu i kut stola za bušenje za svaki radni predmet. Između gornjeg ruba radnog predmeta i vrha svrdla mora biti dovoljna udaljenost.

BILJEŠKA:

Stavite rezervni materijal (npr. Drvo) na stol ispod radnog predmeta. To će spriječiti cijepanje ili stvaranje teškog povrta s donje strane radnih predmeta dok se svrdlo probija.

UPOZORENJE:

Da se sigurnosni materijal ne bi izmaknuo kontroli, mora kontaktirati lijevu stranu stupca kao što je prikazano. Ako radni predmet ili rezervni materijal nisu dovoljno dugački da dođu do stupa, pričvrstite ih za stol. Ako to ne učinite, može doći do tjelesnih ozljeda.

BILJEŠKA:

Za male komade koji se ne mogu stegnuti za stol, upotrijebite škripce za bušilice (dodatni pribor). Vjest mora biti stegnuta ili pričvršćena vjicama za stol kako bi se izbjegle ozljede od okretanja ili loma.

Odabir brzine:

Obavezno bušite odgovarajućom brzinom. Brzina bušenja ovisi o promjeru svrdla i materijalu o kojem se radi.

Tablica u nastavku služi kao vodič za odabir odgovarajuće brzine za različite materijale:

Svrdlo Ø	Lijevano željezo	Čelik	Željezo	Aluminij	Brončana
3	2.550	1.600	2.230	9.500	8.000
4	1.900	1.200	1.680	7.200	6.000
5	1.530	955	1.340	5.700	4800
6	1.270	800	1.100	4.800	4.000
7	1.090	680	960	4.100	3.400
8	960	600	840	3.600	3.000

Svrdlo Ø	Lijevano željezo	Čelik	Željezo	Aluminij	Brončana
9	850	530	740	3.200	2.650
10	765	480	670	2.860	2.400
11	700	435	610	2.600	2.170
12	640	400	560	2.400	2.000
13	590	370	515	2.200	1.840
14	545	340	480	2.000	1.700
16	480	300	420	1.800	1.500
18	425	265	370	1.600	1.300
20	380	240	335	1.400	1.200
22	350	220	305	1.300	1.100
25	305	190	270	1.150	950

BILJEŠKA:

Gore navedene brzine bušenja samo su predložene vriednosti.

Upuštanje i središnje bušenje:

Ovom stolnom bušilicom također možete upuštanje i centrirati. Molimo pripazite da upuštanje treba izvoditi na najmanjoj brzini, dok je za središnje bušenje potrebna velika brzina.

ODRŽAVANJE I ČIŠĆENJE**UPOZORENJE:**

Iz vlastitih razloga isključite prekidač i izvadite utikač iz utičnice prije bilo kakvog postupka održavanja bušilice. Održavajte svoj uređaj čistim. Da biste izbjegli oštećenje motora, često ga ispuhajte ili usisavajte kako bi spriječili da prašina iz svrdla ometa normalnu ventilaciju motora.

KABEL ZA NAPAJANJE

Da biste izbjegli opasnost od šoka ili požara, ako je kabel za puž ili pukotina ili na bilo koji način oštećen, odmah ga zamijenite.

Neispravni električni priključni kabeli:

Električni priključni kabeli često trpe oštećenja izolacije. Mogući uzroci su:

1. Probijte točke kada se priključni kabeli provode kroz prozore ili vrata.
 2. Kinks koji nastaju zbog nepravilnog pričvršćivanja ili polaganja priključnog kabela.
 3. Rezovi nastali prolaskom preko spojnog kabela.
 4. Oštećenja izolacije nastala nasilnim izvlačenjem iz zidne utičnice.
 5. Pukotine starenjem izolacije.
- Takvi neispravni električni priključni kabeli ne smiju se koristiti jer ih oštećenja izolacije čine izuzetno opasnim.

PODMAZIVANJE

Povremeno podmazujte pokretne dijelove.

ČIŠĆENJE

Upotrijebite malu mekanu četku za čišćenje vanjske strane jedinice. Ne koristite jake deterdžente. Sredstva za čišćenje u domaćinstvu koja sadrže aromatič-

na ulja poput bora i limuna te otapala poput kerozina mogu oštetiti plastično kućište ili dršku. Obrišite vlagu mekom krpom. Po potrebi uklonite prašinu, prljavštinu i ostatke obrade odgovarajućim usisivačem.

SKLADIŠTENJE UPOZORENJE:

Isključite prekidač i izvadite utikač iz utičnice kako biste spremili uređaj.

Skladištite jedinicu samo na suhim i dobro prozračanim mjestima.

U slučaju da će se jedinica čuvati dulje vrijeme, upotrijebite sljedeći postupak skladištenja:

1. Temeljito očistite jedinicu i pregledajte ima li labavih ili oštećenih dijelova. Popravite ili zamijenite oštećene dijelove i zategnite labave vijke, matice ili vijke.
2. Prema potrebi podmažite i nanesite mast.
3. Skladištite jedinicu u originalnom pakiranju.

ZAŠTITA OKOLIŠA

Reciklirajte sirovine, umjesto da ih odlažete kao otpad. Stroj, pribor i ambalažu treba razvrstati radi reciklaže koja ne šteti okolišu. Plastične komponente su označene za kategoriziranu reciklažu.

Ovaj se proizvod ne smije odlagati zajedno s kućnim otpadom u skladu s odgovarajućom zakonskom regulativom koja se odnosi na otpad električne i elektroničke opreme. Ovaj se proizvod mora odložiti na određeno mjesto za sakupljanje. To se može dogoditi, na primjer, predajom na ovlaštenom sabirnom mjestu za recikliranje otpadne električne i elektroničke opreme. Nepravilno rukovanje otpadnom opremom može imati negativne posljedice na okoliš i ljudsko zdravlje zbog potencijalno opasnih tvari koje se često nalaze u električnoj i elektroničkoj opremi. Pravilnim odlaganjem ovog proizvoda pridonosite i učinkovitoj upotrebi prirodnih resursa.

Informacije o mjestima za sakupljanje otpadne opreme možete dobiti od vaše općinske uprave, javnog tijela za zbrinjavanje otpada, ovlaštenog tijela za zbrinjavanje otpada električne i elektroničke opreme ili vaše tvrtke za zbrinjavanje otpada.

JAMSTVO

Ovaj je proizvod zajamčen u skladu sa zakonskim propisima / propisima specifičnim za državu, koji stupaju na snagu od datuma kupnje od strane prvog korisnika. Oštećenja koja se mogu pripisati uobičajenom trošenju, preopterećenju ili nepravilnom rukovanju bit će isključena iz jamstva. U slučaju potraživanja, pošaljite stroj, u potpunosti montiranom, svom davaču ili službenom servisnom centru.

ROMÂNĂ

AVERTISMENTE GENERALE DE SIGURANȚĂ

Citiți și înțelegeți acest manual al proprietarului înainte de a utiliza acest produs. Puteți ajuta la prevenirea accidentelor familiarizându-vă cu controalele produsului dvs. și respectând procedurile de operare și semnele de siguranță. Folosește-ți întotdeauna bunul simț pentru a evita toate situațiile considerate dincolo de capacitatea ta. Nu utilizați în timp ce sunteți obosit sau sub influența drogurilor, a alcoolului sau a oricărui alt medicament. În timpul funcționării, păstrați spectatori și animalele care ar putea fi rănite, precum și obiectele care ar putea fi deteriorate. Nu permiteți niciodată copiilor sau persoanelor care nu sunt familiarizați cu aceste instrucțiuni să utilizeze produsul. Legile locale pot restricționa vârsta minimă a operatorului. Rețineți că operatorul sau utilizatorul este responsabil pentru accidente sau evenimentele neașteptate care apar la alte persoane, animale sau proprietatea acestora. Nu expuneți produsul la umiditate excesivă, praf, murdărie sau vapori corozivi. Nu montați echipamente sau accesorii pe mașină neprevăzute sau aprobate de producător. Nu încercați niciodată să modificați produsul. Modificările sau accesoriile neautorizate pot duce la vătămări corporale grave sau la moartea operatorului sau a altor persoane. Consultați distribuitorul autorizat pentru dezasamblare și service, care nu sunt prevăzute în acest manual. Dacă se rupe ceva sau apare un accident în timpul lucrului, opriți imediat mașina și îndepărtați-o pentru a preveni deteriorarea ulterioară. În cazul în care corpul străin a intrat în mașină, opriți-l imediat, inspectați-l pentru eventuale deteriorări și faceți reparații înainte de a porni din nou.

ECHIPAMENT DE PROTECTIE

Asigurați-vă că utilizați echipament de protecție adecvat și certificat atunci când utilizați unitatea. Purtați întotdeauna îmbrăcăminte care nu împiedică mișcările, mănuși de protecție, ochelari de protecție, aparat de respirat cu jumătate de mască, protecție pentru urechi și cizme de siguranță antifoaie cu tălpi antiderapante. Nu purtați niciodată eșarfe, coliere sau orice accesoriu de îmbrăcăminte sau clapă și îmbrăcăminte care ar putea prinde în aparat. Legați-vă părul dacă este lung.

PERICOLUL DE INCENDIU ȘI ARSURĂ

Defectunile echipamentelor electrice pot provoca scântei care ar putea aprinde materiale inflamabile.

Asigurați-vă că păstrați zona de lucru curată și ordonată și nu folosiți mașina lângă material inflamabil. Dacă apare un incendiu, utilizați un stingător adecvat.

Nu atingeți piesele rotative și instrumentul de găurit după ce ați lucrat. Unele suprafețe pot deveni foarte fierbinți în timpul utilizării și ar trebui să le se permită să se răcească înainte de a le atinge.

AVERTISMENTE DE SIGURANȚĂ CATEGORIE

FUNCȚIONARE SIGURĂ

Toate părțile operaționale ale mașinii trebuie să se deplaseze ușor dintr-o poziție în cealaltă și nu trebuie să fie forțate. Cablurile electrice și, în special, cablul prizei principale trebuie să fie în stare perfectă pentru a evita generarea de scântei sau riscul de electrocutare. Mănerile și dispozitivele de protecție trebuie să fie curate și uscate, precum și fixate în siguranță la mașină. Acționați mașina cu ambele mâini. Asigurați-vă că utilizați întotdeauna instrumentul corect pentru fiecare lucrare pentru a evita defectarea sau rănirea mașinii și pentru a evita supraîncărcarea mașinii. Tensiunea și frecvența nominală a sursei de energie electrică trebuie să fie în conformitate cu specificațiile mașinii. Asigurați-vă că întrerupătorul mașinii este oprit atunci când îl conectați, pentru a evita riscul din cauza pornirii neintenționate. Îndepărtați orice cheie și cheie de pe mașină înainte de utilizare.

Asigurați-vă că opriți aparatul și deconectați-l de la rețea:

- ▶ Când montați sau scoateți accesorii și scule.
- ▶ Ori de câte ori lăsați mașina nesupravegheată.
- ▶ În timpul curățării sau întreținerii.
- ▶ În timpul re poziționării, transportului sau depozitării mașinii.

În caz de defectiune sau blocaj al mașinii, opriți imediat mașina și scoateți-o din sursa de alimentare. Mașina nu trebuie pornită din nou dacă blocajul nu este eliminat sau dacă se modifică defecțiunea, la un centru de service autorizat atunci când este necesar. Mașina se poate bloca atunci când:

- ▶ Mașina este supraîncărcată.
- ▶ Piesa de prelucrat este blocată.

PERICOLUL ELECTRICITĂȚII

Asigurați-vă că cablurile electrice ale mașinii și prizele de rețea, la care este conectată, sunt în stare bună și nu sunt uzate. Nu folosiți niciodată un aparat deteriorat sau un aparat cu cabluri și prize electrice deteriorate sau uzate. Nu expuneți mașina și cablurile electrice la condiții de umezeală și nu atingeți niciodată când sunt umede. Utilizați o priză cu contact la sol.

Nu folosiți cablul pentru a scoate ștecherul din priză.

Pentru a preveni deteriorarea cablului de alimentare, conduceți întotdeauna cablul de alimentare departe de partea din spate a mașinii și protejați-l de căldură, ulei și obiecte ascuțite. Când mașina trebuie utilizată în aer liber, utilizați numai prelungitoare destinate utilizării în exterior. Secțiunea transversală a oricărui cablu prelungitor trebuie să măsoare cel puțin 1,5 mm² și conexiunea la rețea trebuie protejată printr-o siguranță adecvată.

PERICOLE PENTRU PIESELE ROTANTE

Piese rotative pot cauza răni grave. Evitați contactarea pieselor rotative atunci când acestea sunt încă în rotație și asigurați-vă că păstrați departe orice lucru care ar putea fi prins în mașina de operare, cum ar fi părul liber și îmbrăcămintea.

Țineți-vă mâinile departe de zona de prelucrare atunci când folosiți mașina.

Piese și instrumentele de lucru pot ricoșa și pot duce la răni și daune materiale. Asigurați-vă că mașina și sculele sunt întotdeauna în stare bună. Folosiți cleme sau un menhină pentru a menține piesa de prelucrat ferm în poziție. Nu lucrați pe obiecte care sunt prea mici pentru a fi fixate în siguranță.

Verificați alinierea corectă a pieselor în mișcare și rotire sau alte defecțiuni care ar putea fi o sursă de pericol. Un dispozitiv de protecție deteriorat sau altă piesă trebuie înlocuit de un centru de service autorizat înainte de a utiliza mașina.

Nu atingeți piesele rotative înainte ca acestea să se oprească complet.

PERICOLE DE ZGOMOT ȘI VIBRAȚII

Nivelurile de zgomot prezentate în aceste instrucțiuni sunt nivelurile maxime de utilizare a mașinii. O întreținere insuficientă are un impact semnificativ asupra vibrațiilor și emisiilor de zgomot. În consecință, este necesar să se ia măsuri preventive pentru a elimina posibilele daune cauzate de nivelurile ridicate de zgomot și de stresul cauzat de vibrații. Păstrați bine mașina, purtați dispozitive de protecție a urechilor, mănuși antivibrații și faceți pauze în timp ce lucrați.

PERICOLUL ZONEI DE LUCRU

Inspectați cu atenție întreaga zonă de lucru și folosiți o perie de greblă sau curte pentru a slăbi manual resturile și a îndepărta orice poate fi o sursă periculoasă pentru dvs. sau poate provoca deteriorarea mașinii. Păstrați zona de lucru curată și ordonată. Nu folosiți mașina în condiții de mediu umed sau atunci când mașina este umedă. Țineți mașina departe de material inflamabil. Verificați dacă nu există spectatori, animale sau obiecte care ar putea fi deteriorate în raza de acțiune a mașinii.

Operați numai în zone bine ventilate. Așchiile și praful de fierăstrău pot reprezenta un pericol pentru sănătate atunci când sunt inhalate sau în contact cu ochii. Purtați întotdeauna mască de protecție adecvată și ochelari de protecție, atunci când lucrați cu astfel de materiale și folosiți un dispozitiv de extracție a prafului.

Lucrați numai la lumina zilei sau cu lumină artificială adecvată, în condiții de vizibilitate bună. Încercați să nu provocați nicio perturbare a zgomotului, utilizând acest aparat doar la momente rezonabile ale zilei.

Asumă o poziție fermă și bine echilibrată. Unde este posibil, evitați lucrul pe teren umed, alunecos sau, în orice caz, pe teren neuniform sau abrupt, care nu garantează stabilitatea operatorului.

Depozitarea sculelor care nu sunt folosite trebuie făcută într-un loc uscat și sigur, departe de mașina de funcționare și la îndemâna copiilor.

RISURILE RESTANTE

Mașina a fost construită folosind tehnologia modernă și în conformitate cu normele de siguranță recunoscute. Chiar și atunci când toate măsurile

de siguranță sunt în vigoare, pot fi prezente unele pericole rămase, care nu sunt încă evidente. Operatorul ar trebui să folosească bunul simț și să ia măsurile de precauție necesare pentru a evita riscurile din cauza pericolelor rămase.

SPECIFICAȚIILE PRODUSULUI

UTILIZAREA PREVĂZUTĂ

Această mașină este proiectată și fabricată pentru prelucrarea pieselor de prelucrat prin găurire de ex. piese din lemn, plastic, metal și materiale similare. Nu este conceput pentru utilizări comerciale grele.

Orice altă utilizare diferită de cele menționate mai sus poate fi periculoasă, poate dăuna oamenilor și / sau deteriora lucrurile și mașina.

UTILIZARE NEAPROPATĂ

Mașina nu trebuie utilizată pentru prelucrarea materialelor periculoase, de ex. acumularea de produse inflamabile sau explozive și orice alt obiect care ar putea fi periculos pentru mașină în sine, precum și pentru operator, spectatori, animale sau bunuri.

Alte exemple de utilizare necorespunzătoare pot include, dar nu sunt limitate, la funcționarea mașinii:

- ▶ Fără accesoriile originale furnizate de producător.
- ▶ Cu accesorii originale, dar într-un fel nu conform instrucțiunilor.
- ▶ Fără piese de schimb originale.
- ▶ Cu modificări neautorizate.

NOTĂ:

În conformitate cu legile aplicabile privind răspunderea produsului, producătorul dispozitivului nu își asumă răspunderea pentru daunele produsului sau daunele cauzate de produs care apar din cauza:

- ▶ Manipularea necorespunzătoare nu a fost respectată cu instrucțiunile de utilizare.
- ▶ Reparații de către terți și nu de către tehnicieni de service autorizați.
- ▶ Instalarea pieselor de schimb neoriginale.
- ▶ Utilizare neintenționată.
- ▶ Defecțiunea sistemului electric datorită puterii mașinii într-un mod care nu este conform cu regulamentele electrice și VDE.

DATE TEHNICE			
Numarul articolului		45 938	45 939
Model		DPB 16/12 PLUS	DPF 16/12 PLUS
Interval de viteză	rpm	230-2.500	220-2.600
Capacitate maximă a mandrinei	mm	13	13
Chuck accident vascular cerebral	mm	60	80
Swing	mm	250	340
Dimensiuni tabel de lucru (L x W)	mm	190 x 190	255 x 255
Ajustarea unghiului mesei de lucru		-45°- 0°- 45°	-45°- 0°- 45°
Diametrul coloanei	mm	59,5	70
Dimensiuni de bază (L x W)	mm	334 x 203	428 x 255
Nivelul presiunii acustice (LpA)	db(A)	70,7	73,8
Nivelul de putere acustică (LwA)	db(A)	84,5	86,8
Incertitudine (K)	dB	3	3
Înălțime	mm	840	1.610
Greutatea netă	kg	25	46

IDENTIFICARE (FIG. 1, 2)

1. Piciorul mașinii
2. Coloană
3. Mâner de prindere
4. Masă de găurit
5. Motor
6. Maner de blocare pentru tensiunea centurii
7. Capacul curelei trapezoidală
8. Comutator de oprire de urgență
9. Mâner de alimentare cu trei spițe
10. Protecție pliabilă
11. Mandrina de foraj cheie
12. Capul mașinii
13. Indicator de adâncime cu oprire
14. Mâner cu manivelă
15. Șurub hexagonal

DATE TEHNICE			
Numarul articolului		45 938	45 939
Model		DPB 16/12 PLUS	DPF 16/12 PLUS
Tensiune nominală	V	230-240	230-240
Frecvență nominală	Hz	50	50
Putere	W	550 (S1)	550 (S1)
Numărul de viteze		12	12

OPERAȚIUNE

PREGĂTIREA UNITĂȚII

Despachetarea și finalizarea ansamblului trebuie făcute pe o suprafață plană și stabilă, cu suficient spațiu pentru deplasarea mașinii și a ambalajului acesteia, folosind întotdeauna echipamentul adecvat.

Conținutul pachetului:

- ▶ Piciorul mașinii (x1) (Fig. 2.1)
- ▶ Coloana (x1) (Fig. 2.2)
- ▶ Mâner de prindere (x1) (Fig. 2.3)
- ▶ Masă de găurit (x1) (Fig. 2.4)
- ▶ Mâner de alimentare (x3) (Fig. 2.9)
- ▶ Protecție rabatabila (x1) (Fig. 2.10)
- ▶ Mandrina de foraj (x1) (Fig. 2.11)
- ▶ Capul mașinii (x1) (Fig. 2.12)
- ▶ Mâner manivelă (x1) (Fig. 2.14)
- ▶ Șurub hexagonal (x4) (Fig. 2.15)
- ▶ Cheie Allen (x2) (Fig. 2.A, 2.B)

Pentru a asambla mașina:

AVERTIZARE:

Toate reglajele necesare pentru buna funcționare a mașinii dvs. au fost efectuate din fabrică. Nu le modificați. Cu toate acestea, din cauza uzurii normale a sculei, ar putea fi necesare unele reglaje.

AVERTIZARE:

Deconectați întotdeauna aparatul de la sursa de alimentare înainte de orice ajustare.

Coloana și piciorul mașinii (Fig. 3):

Așezați piciorul mașinii (1) pe sol sau pe bancul de lucru. Așezați coloana (2) pe placa de bază astfel încât găurile de pe coloană (2) să se alinieze cu găurile de pe placa de bază (1). Înșurubați cele patru șuruburi hexagonale pentru a fixa coloana în placa de bază și strângeți-le cu ajutorul unei chei hexagonale.

Instalarea suportului mesei de foraj (Fig. 4-7):

1. Pentru a instala burghiul, trebuie mai întâi să scoateți raftul (C). Folosiți o cheie Allen pentru a scoate inelul (D) și trageți-l de pe coloană (2). Acum trageți raftul (C) afară.
2. Introduceți raftul (C) în canelura de pe suportul mesei de foraj (4).
3. Aliniați raftul (C) central în raport cu suportul mesei de foraj (4).
4. Când aduceți raftul (C) împreună în canelură, asigurați-vă că rețeaua de dinți dintre raft și suportul mesei de foraj (4) este corectă.
5. Acum așezați suportul mesei de foraj (4) cu raftul (C) pe coloană (2) și ghidați raftul (C) în ghidajul inferior al raftului de pe piciorul coloanei.
6. Folosiți inelul (D) pentru a fixa raftul (C). Asigurați-vă că ghidajul raftului de pe inel (D) este îndreptat în jos. Strângeți șurubul Allen integrat pentru a fixa inelul (D).
7. Așezați manivela de mână (14) pe arborele suportului mesei de foraj (4) și fixați-o cu șurubul Allen. Pentru a face acest lucru, utilizați cheia Allen (B).
8. Înșurubați unul dintre mânerele de prindere (3) în suportul mesei de foraj (4).

Instalarea capului și coloanei mașinii (Fig. 8):

Așezați capul mașinii (12) pe coloana (2). Aliniați axul burghiului cu masa și placa de bază și strângeți șurubul Allen care este situat pe partea laterală a capului mașinii. Pentru a face acest lucru, utilizați cheia Allen (A).

Instalarea mânerelor (Fig. 9):

Înșurubați trei mâner (9) strâns în suportul mânerului. Folosiți cheia hexagonală pentru a face acest lucru.

Instalarea dispozitivului de protecție pliabil și a mandrinei de foraj (Fig. 11):

Împingeți protectorul de pliere (10) pe axul de pe capul mașinii și utilizați o șurubelniță cu cap "Phillips" pentru a-l fixa.

Instalarea mandrinei (Fig. 12):

Curățați orificiul conic din mandrina (11) și conul fusului cu o bucată de țesătură curată. Asigurați-vă că nu există particule străine pe el, deoarece cea mai mică bucată de murdărie va împiedica poziționarea corectă a mandrinei, provocând oscilația burghiului. Împingeți mandrina în sus pe nasul axului cât mai departe. Rotiți manșonul mandrinei în sens invers acelor de ceasornic (când este privit de sus) și deschideți maxilarele în mandrina complet. Așezați o bucată de lemn pe masa mașinii și coborâți axul pe bucată de lemn. Apăsăți ferm pentru a vă asigura că montarea mandrinei este realizată corect.

NOTĂ:

Toate piesele goale sunt unse pentru a le proteja de coroziune. Înainte de a monta mandrina de foraj pe arbore, ambele părți trebuie degresate complet folosind un solvent ecologic. Acest lucru asigură o transmisie optimă a puterii.

Instalarea aparatului:

Înainte de a utiliza burghiul pentru prima dată, acesta trebuie montat într-o poziție staționară pe o suprafață fermă. Utilizați ambele găuri de montare în placa de bază pentru a face acest lucru. Asigurați-vă că mașina este liber accesibilă pentru funcționare, reglare și întreținere.

AVERTIZARE:

Șuruburile de fixare pot fi strânse numai într-un punct în care nu deformează sau deformează placa de bază. Tensiunea excesivă poate duce la fracturi.

NOTĂ:

Motorul electric instalat este complet cablat, gata de funcționare. Conexiunea clientului la sistemul de alimentare cu energie electrică și orice cabluri prelungitoare care pot fi utilizate trebuie să fie conforme cu reglementările locale. Verificați periodic cablurile de conectare electrică pentru a nu se deteriora. Asigurați-vă că cablul este deconectat de la rețea atunci când verificați. Cablurile de conectare electrică trebuie să respecte reglementările aplicabile în țara dumneavoastră.

Motor monofazat:

- ▶ Tensiunea de rețea trebuie să coincidă cu tensiune-

nea specificată pe placa de identificare a motorului.

- ▶ Cablurile dimensionale de până la o lungime de 25 m trebuie să aibă o secțiune transversală de 1,5 mm² și peste 25 m cel puțin 2,5 mm².
- ▶ Conexiunea la rețea trebuie protejată cu o siguranță adecvată cu acțiune lentă.

NOTĂ:

Motorul este oprit automat în caz de suprasarcină. Motorul poate fi pornit din nou după o perioadă de răcire care poate varia.

AVERTIZARE:

Conectați aparatul numai la o priză cu contactul la sol instalat corespunzător.

FUNCȚIONAREA UNITĂȚII

AVERTIZARE:

Pentru propria siguranță, mențineți comutatorul mașinii în poziția oprit în timp ce efectuați oricare dintre procedurile de mai jos. Aparatul ar trebui să fie pornit, numai dacă un anumit pas al procedurii afirmă acest lucru și numai pentru acel pas special.

Instalarea burghiilor:

AVERTIZARE:

Numai sculele cilindrice cu diametrul maxim prevăzut al arborelui pot fi fixate în mandrina de derulare. Folosiți doar un instrument ascuțit și fără defecte. Nu utilizați uneltele al căror ax este deteriorat sau care sunt deformate sau defecte în orice alt mod. Utilizați numai accesoriile și accesoriile specificate în instrucțiunile de utilizare sau care au fost aprobate de producător. Dacă burghiul de stălp trebuie blocat, opriți mașina și readuceți burghiul în poziția sa inițială.

Introduceți burghiul în mandrina suficient de departe pentru a obține o prindere maximă a fălcilor mandrinei. Când folosiți un burghiu mic, nu îl introduceți atât de departe încât fălcile să atingă canelurile spirale ale burghiului. Asigurați-vă că burghiul este centrat în mandrina înainte de a strânge mandrina cu cheia mandrinei. Strângeți mandrina burghiului suficient, astfel încât burghiul să nu alunece în timpul găuririi.

Rotiți cheia mandrinei în sensul acelor de ceasornic pentru a strânge, în sens invers acelor de ceasornic pentru a slăbi.

NOTĂ:

Burghiul dvs. de coloană este echipat cu un mandril fără cheie. Acest lucru permite schimbarea instrumentelor fără a fi nevoie de o cheie suplimentară. Pentru aceasta, introduceți instrumentul în mandrina de găurire cu schimbare rapidă și strângeți-l manual.

Reglarea vitezei (Fig. 1):

Viteza de funcționare a mașinii este infinit reglabilă.

NOTĂ:

Reglajele de viteză sunt permise numai atunci când motorul este în funcțiune și în regim de mers în gol. Mutați încet și constant maneta de reglare a vitezei (6) în timp ce mașina este în modul de mers în gol. Asigurați-vă că mașina poate funcționa fără întreruperi (de exemplu, îndepărtați piesele de prelucrat, burghiele etc.).

AVERTIZARE:

Nu lăsați niciodată burghiul pilonului să ruleze atunci când capacul curelei trapezoidale este deschis. Trageteți întotdeauna de priză înainte de a deschide capacul. Nu atingeți niciodată cureaua trapezoidală când aceasta se rotește.

Opriți adâncimea burghiului (Fig. 13):

Fusul de găurire are un inel rotativ (17) pentru reglarea adâncimii burghiului. Reglați setarea numai atunci când echipamentul este oprit.

1. Apăsăți axul de găurire în jos până când vârful burghiului atinge piesa de prelucrat.
2. Slăbiți șurubul de prindere (13) și rotiți inelul de măsurare (17) înainte până se oprește.
3. Întoarceți inelul de măsurare (17) înapoi la adâncimea de găurire dorită, apoi blocați această setare cu ajutorul șurubului de prindere (13).

NOTĂ:

Când setați adâncimea burghiului unei găuri cilindrice, trebuie să adăugați lungimea vârfului burghiului.

Setarea unghiului mesei de foraj (Fig. 14):

Slăbiți șurubul căruciorului (18) sub masa burghiului. Setăți masa burghiului la unghiul dorit. Strângeți șurubul căruciorului (18) pentru a bloca masa burghiului în această poziție.

Reglarea înălțimii mesei de foraj (Fig. 15):

Slăbiți șurubul de strângere (3). Puneți masa burghiului în poziția dorită cu ajutorul manivelei (14). Înșurubați din nou șurubul de strângere (3).

Reglarea arcului de retur al axului (Fig. 16):

Poate fi necesar să reglați arcul de întoarcere a fusului, deoarece tensiunea sa sa schimbat și fusul se mișcă înapoi prea repede sau prea încet. Pentru a face acest lucru:

1. Coborâți masa pentru mai mult spațiu de lucru.
2. Lucrați pe partea stângă a burghiului.
3. Introduceți o șurubelniță în canelura frontală inferioară (1) și țineți-o.
4. Scoateți piulița exterioră (3) cu o cheie.
5. Cu șurubelnița încă în piuliță, slăbiți piulița interioară (4) până când crestătura se desprinde de butuc (6).

AVERTIZARE:

Primăvara este sub tensiune.

6. Rotiți cu atenție capacul arcului (2) în sens invers acelor de ceasornic cu șurubelnița până când puteți apăsa piulița (1) în butuc (6).
7. Coborâți axul în cea mai joasă poziție și țineți capacul arcului (2) în poziție. Când fusul se deplasează în sus și în jos după cum doriți, strângeți din nou piulița interioară (4).
8. Dacă este prea slab, repetați pașii 3-5. Dacă este prea strâns, inversați pasul 6.
9. Fixați piulița exterioră (3) de piulița interioară (4) cu o cheie cu capăt deschis.

NOTĂ:

Nu strângeți excesiv și nu restricționați mișcarea axului.

Funcționarea axială a fusului (Fig. 17):

Când fusul este în poziția inferioară, rotiți-l manual. Dacă descoperiți că operațiunea este prea mare, procedați după cum urmează:

1. Slăbiți piulița de blocare (19).
2. Rotiți șurubul în sensul acelor de ceasornic (20), pentru a echilibra funcționarea, fără a interfera cu mișcarea în sus și în jos a fusului (o funcționare mică este normală).
3. Strângeți din nou piulița de blocare (19).

Poziționarea piesei de prelucrat:

Ca regulă generală, utilizați un menghină de mașină sau un alt dispozitiv de prindere adecvat pentru a fixa o piesă de lucru în poziție. Nu țineți niciodată piesa de lucru cu mâna. La găurire, piesa de prelucrat ar trebui să poată călători pe masa burghiului în scopuri de autocentrare. Asigurați-vă că piesa de prelucrat nu se poate roti. Acest lucru se realizează cel mai bine plasând piesa de lucru / menghina mașinii pe un bloc robust.

NOTĂ:

Piesele din tablă trebuie să fie fixate pentru a preveni ruperea lor. Setări corect înălțimea și unghiul mesei de burghiu pentru fiecare piesă de prelucrat. Trebuie să existe suficientă distanță între marginea superioară a piesei de prelucrat și vârful burghiului.

NOTĂ:

Așezați o bucată de material de rezervă (de exemplu, lemn) pe masă sub piesa de prelucrat. Acest lucru va împiedica despicarea sau formarea unei bavuri grele pe partea inferioară a pieselor de prelucrat pe măsură ce burghiul străpunge.

AVERTIZARE:

Pentru a evita ca materialul de rezervă să se învârtască sub control, trebuie să contacteze partea stângă a coloanei, așa cum este ilustrat. Dacă piesa de prelucrat sau materialul de rezervă nu este suficient de lung pentru a ajunge la coloană, fixați-le pe masă. Nerespectarea acestui lucru poate duce la vătămări corporale.

NOTĂ:

Pentru piesele mici care nu pot fi fixate pe masă, utilizați o menghină de presă pentru burghiu (accesoriu opțional). Menghina trebuie prinsă sau fixată la masă pentru a evita rănirea cauzată de rotire sau spargere.

Alegerea vitezei:

Asigurați-vă că găuriți la viteza corespunzătoare. Viteza burghiului depinde de diametrul burghiului și de materialul în cauză.

Tablelul de mai jos acționează ca un ghid pentru selectarea vitezei adecvate pentru diferite materiale:

Burghiu Ø	Fontă	Oțel	Fier	Aluminiu	Bronz
3	2.550	1.600	2.230	9.500	8.000
4	1.900	1.200	1.680	7.200	6.000
5	1.530	955	1.340	5.700	4800
6	1.270	800	1.100	4.800	4.000
7	1.090	680	960	4.100	3.400

Burghiu Ø	Fontă	Oțel	Fier	Aluminiu	Bronz
8	960	600	840	3.600	3.000
9	850	530	740	3.200	2.650
10	765	480	670	2.860	2.400
11	700	435	610	2.600	2.170
12	640	400	560	2.400	2.000
13	590	370	515	2.200	1.840
14	545	340	480	2.000	1.700
16	480	300	420	1.800	1.500
18	425	265	370	1.600	1.300
20	380	240	335	1.400	1.200
22	350	220	305	1.300	1.100
25	305	190	270	1.150	950

NOTĂ:

Vitezele de foraj specificate mai sus sunt doar valori sugerate.

Frezare și găurire centrală:

Cu acest burghiu de masă, puteți, de asemenea, să frezați și să burghiați în centru. Vă rugăm să rețineți că contrasufierea trebuie efectuată la viteza cea mai mică, în timp ce este necesară o viteză mare pentru găurirea centrală.

ÎNȚEȚINERE ȘI CURĂȚARE**AVERTIZARE:**

Pentru propria siguranță, opriți comutatorul și scoateți ștecherul de la priză sursei de alimentare înainte de orice operație de întreținere a burghiului.

Păstrați aparatul curat. Pentru a evita deteriorarea motorului, suflați sau aspirați frecvent acest motor pentru a împiedica praful de presă de foraj să interfereze cu ventilarea normală a motorului.

CABLU DE ALIMENTARE

Pentru a evita pericolul de șoc sau incendiu, în cazul în care cablul de alimentare este un vierme sau este tăiat sau este deteriorat în vreun fel, puneți-l înlocuit imediat.

Cabluri de conexiune electrică defecte:

Cablurile de conectare electrică suferă deseori deteriorări ale izolației. Cauzele posibile sunt:

1. Puncte de perforare atunci când cablurile de conectare sunt trecute prin golurile ferestrelor sau ușilor.
2. Răsuciri rezultate din atașarea incorectă sau așezarea cablului de conectare.
3. Tăieturi rezultate din trecerea peste cablul de conectare.
4. Deteriorarea izolației rezultată din extragerea cu forță a prizei de perete.
5. Crăpături prin îmbătrânirea izolației.

Astfel de cabluri de conectare electrică defecte nu trebuie utilizate, deoarece deteriorarea izolației le face extrem de periculoase.

LUBRIFICARE

Ungeți periodic părțile în mișcare.

Pentru a lubrifia canelurile, aduceți panoul și injectați grăsimea în ax din partea superioară a fuliei. Aduceți panoul în sus și în jos de câteva ori.

CURĂȚAREA

Utilizați o perie mică moale pentru a curăța exteriorul unității. Nu folosiți detergenți puternici. Produsele de curățat pentru uz casnic care conțin uleiuri aromatice precum pinul și lămâia și solvenți precum kerosenul pot deteriora carcasa sau mânerul din plastic. Ștergeți umezeala cu o cârpă moale. Dacă este necesar, îndepărtați praful, murdăria și reziduurile de prelucrare cu un aspirator adecvat.

DEPOZITARE

AVERTIZARE:

Opriiți comutatorul și scoateți ștecherul din priză pentru a stoca aparatul.

Depozitați unitatea numai în zone uscate și bine ventilate.

În cazul în care unitatea va fi stocată pentru o perioadă mai lungă de timp, utilizați următoarea procedură de stocare:

1. Curățați temeinic unitatea și verificați dacă există părți libere sau deteriorate. Reparați sau înlocuiți piesele deteriorate și strângeți șuruburile, piulițele sau șuruburile.
2. Ungeți și aplicați grăsime, acolo unde este necesar.
3. Depozitați unitatea în ambalajul original.

PROTECTIA MEDIULUI

Reciclați materiile prime în loc să le aruncați ca deșeuri. Mașina, accesoriile și ambalajele trebuie sortate pentru reciclare ecologică. Componentele din plastic sunt etichetate pentru reciclare clasificată.

Acest produs nu trebuie eliminat împreună cu deșeurile menajere, în conformitate cu legislația relativă referitoare la deșeurile de echipamente electrice și electronice. Acest produs trebuie eliminat la un punct de colectare desemnat. Acest lucru poate apărea, de exemplu, prin predarea la un punct de colectare autorizat pentru reciclarea deșeurilor de echipamente electrice și electronice. Manipularea necorespunzătoare a deșeurilor de echipamente poate avea consecințe negative asupra mediului și sănătății umane din cauza substanțelor potențial periculoase care sunt adesea conținute în echipamentele electrice și electronice. Eliminând în mod corespunzător acest produs, contribuiți și la utilizarea eficientă a resurselor naturale.

Puteți obține informații despre punctele de colectare a echipamentelor de deșeuri de la administrația dvs. municipală, autoritatea publică de eliminare a deșeurilor, un organism autorizat pentru eliminarea deșeurilor de echipamente electrice și electronice sau de la firma dvs. de eliminare a deșeurilor.

GARANȚIE

Acest produs este garantat în conformitate cu reglementările legale / specifice țării, începând cu data cumpărării de către primul utilizator. Daunele atribuite uzurii normale, suprasolicității sau manipularii necorespunzătoare vor fi excluse din garanție. În cazul unei reclamații, vă rugăm să trimiteți mașina, complet asamblată, la dealerul dvs. sau la centrul de service oficial.

MAGYAR

ÁLTALÁNOS BIZTONSÁGI FIGYELMEZTETÉSEK

termék használata előtt olvassa el és értse meg ezt a használati útmutatót. Segíthet megelőzni a baleseteket, ha ismeri terméke kezelőszerveit, és betartja a biztonságos üzemeltetési eljárásokat és a biztonsági jelzéseket. Mindig használja a józan esztét, hogy elkerüljön minden olyan helyzetet, amely meghaladja képességeit. Ne használja, ha fáradt vagy kábítószert, alkoholt vagy bármilyen más gyógyszer hatása alatt áll. Működés közben tartsa távol a szemlélődőket és az állatokat, amelyek megsérülhetnek, valamint azokat a tárgyakat, amelyek megsérülhetnek. Soha ne engedje, hogy gyermekek vagy olyan személyek használják a terméket, akik nem ismerik ezeket az utasításokat. A helyi törvények korlátozhatják az üzemeltető alsó korhatárát. Ne felelde, hogy az üzemeltető vagy a felhasználó felelős a más emberek, állatok vagy azok tulajdonát érintő balesetekért vagy váratlan eseményekért. Ne tegye ki a terméket túlzott nedvességnek, pornak, szennyeződésnek vagy korrozív gőznek. Ne szereljen a gépre olyan berendezéseket vagy tartozékokat, amelyeket a gyártó nem tervezett vagy nem hagyott jóvá. Soha ne kísérleje meg módosítani a terméket. A nem engedélyezett módosítások vagy tartozékok súlyos személyi sérülést vagy a kezelő vagy mások halálát okozhatják. A jelen kézikönyvben nem szereplő szétzereléssel és szervizeléssel kapcsolatban forduljon hivatalos forgalmazójához. Ha munka közben valami eltörik vagy baleset történik, azonnal kapcsolja ki a gépet és vigye el, hogy elkerülje a további károsodást. Ha idegen test kerül a gépbe, azonnal állítsa le, ellenőrizze, hogy nem sérült-e, és javítsa meg, mielőtt újraindítaná.

VÉDŐ FELSZERELÉS

Ügyeljen arra, hogy megfelelő és minősített védőfelszerelést használjon az egység működtetése során. Mindig viseljen mozgást nem akadályozó ruházatot, védőkesztyűt, védőszemüveget, féllárcos légzőkészüléket, fülvédőt és csúszásmentes talpu, nyírásgátló biztonsági csizmát. Soha ne viseljen sálát, nyakláncot vagy bármilyen lógó vagy csapkodó kiegészítőt és ruhát, amely beakadhat a gépbe. Kösse fel a haját, ha hosszú.

TŰZ- ÉS ÉGÉSI VESZÉLYEK

Az elektromos berendezések meghibásodása szikrákat okozhat, amelyek meggyújthatják a gyúlékony anyagokat.

Ügyeljen arra, hogy a munkaterület tiszta és rendezett legyen, és ne használja a gépet gyúlékony anyagok közelében. Ha tűz keletkezik, használjon megfelelő tűzoltó készüléket.

Munka után ne érintse meg a forgó alkatrészeket és a fűrészszerzőt. Egyes felületek használat közben nagyon felforrósodhatnak, és hagyani kell őket lehűlni, mielőtt megérintené őket.

KATEGÓRIA BIZTONSÁGI FIGYELMEZTETÉSEK

BIZTONSÁGOS MŰKÖDÉS

gép összes működtető karjának könnyen kell mozognia egyik helyzetből a másikba, és nem kell erőltetni. Az elektromos kábeleknél és különösen a fő csatlakozókábelnél kifogástalan állapotban kell lenniük, hogy elkerüljük a szikraképződést vagy az áramütés veszélyét. A fogantyúknak és a védőeszközöknek tisztának és száraznak kell lenniük, valamint biztonságosan kell rögzíteni a géphez. Működtesse a gépet két kézzel. Ügyeljen arra, hogy minden munkához mindig a megfelelő szerzőt használja, hogy elkerülje a gép meghibásodását vagy sérülését, és elkerülje a gép túlterhelését. Az elektromos hálózat névleges feszültségének és frekvenciájának meg kell felelnie a gép specifikációinak. Győződjön meg arról, hogy a gép kapcsolója ki van kapcsolva, amikor bedugja, hogy elkerülje a véletlen indításból eredő kockázatokat. Használat előtt távolítsa el minden kulcsot és csavarkulcsot a gépből.

Győződjön meg arról, hogy leállította a gépet, és húzta ki a konnektorból:

- ▶ Tartozékok és szerzők felszerelésekor vagy eltávolításakor.
- ▶ Amikor felügyelet nélkül hagyja a gépet.
- ▶ Tisztítás vagy karbantartás közben.
- ▶ A gép áthelyezése, szállítása vagy tárolása során.
- ▶ A gép meghibásodása vagy elakadása esetén azonnal kapcsolja ki a gépet, és húzza ki az áramforrásból. A gépet nem szabad újra beindítani, ha az elakadást nem szüntették meg, vagy ha a meghibásodást nem javították, szükség esetén egy hivatalos szervizközpontban. A gép elakadhat, ha:
 - ▶ A gép túlterhelt.
 - ▶ A megmunkálendő munkadarab beszorult.

ELEKTROMOS VESZÉLYEK

Győződjön meg arról, hogy a gép elektromos kábeli és a hálózati csatlakozó, amelyhez csatlakoztatva van, jó állapotban vannak és nem kopottak. Soha ne használjon sérült gépet, vagy olyan gépet, amelynek elektromos kábeli és csatlakozói sérültek vagy elhasználódtak. Ne tegye ki a gépet és az elektromos kábeleket nedves körülményeknek, és soha ne érintse meg, ha nedves. Használjon földelt csatlakozóaljzatot.

Ne a kábellel húzza ki a dugót a konnektorból. Tápkábel sérülésének elkerülése érdekében mindig vezesse el, jó állapotban a gép hátuljától, és óvja a hőtől, olajtól és éles tárgytól. Ha a gépet kültérre kívánja használni, csak kültéri használatra szánt hosszabbítót használjon. Bármely hosszabbító kábel keresztmetszetének legalább 1,5 mm²-nek kell lennie, és a hálózati csatlakozást megfelelő biztosítókkal kell védeni.

A FORGÓ ALKATRÉSZEK VESZÉLYEI

A forgó alkatrészek súlyos sérüléseket okozhatnak. Kerülje el, hogy a forgó alkatrészekkel érintkezzen, amikor azok még forognak, és ügyeljen arra, hogy minden, ami beszorulhat a működő gépbe, mint például a laza haj és a ruházat, távol

legyen. A gép használata közben tartsa távol kezét a megmunkálási területtől.

A munkadarabok és szerszámok kiütést okozhatnak, és sérülésekhez és anyagi károkhoz vezethetnek. Ügyeljen arra, hogy a gép és a szerszámok mindig jó állapotban legyenek. Használjon bilincseket vagy satut a munkadarab szilárdan a helyén tartásához. Ne dolgozzon olyan tárgyakon, amelyek túl kicsik ahhoz, hogy biztonságosan rögzítsék.

Ellenőrizze a mozgó és forgó alkatrészek helyes beállítását, vagy más olyan hibákat, amelyek veszélyforrást jelenthetnek. A sérült védőburkolatot vagy más alkatrészt a gép üzembe helyezése előtt ki kell cserélni egy hivatalos szervizközpontban.

Ne érintse meg a forgó részeket, mielőtt azok teljesen leálltak.

ZAJ ÉS REZGÉSVESZÉLY

Az ebben az útmutatóban feltüntetett zajszintek a gép használatának maximális szintjei. A nem megfelelő karbantartás jelentős hatással van a rezgés- és zajkibocsátásra. Következésképpen megelőző lépéseket kell tenni a magas zajszint és a vibrációból eredő terhelés miatti esetleges károk kiküszöbölésére. Gondosan karbantartsa a gépet, viseljen fülvédőt, rezgéscsillapító kesztyűt és tartson szüneteket a munkavégzés során.

A MUNKATERÜLET VESZÉLYEI

Alaposan ellenőrizze az egész munkaterületet, és használjon gereblyét vagy kerti kefét a törmelék kézi fellazításához, és távolítsa el mindent, ami veszélyes forrás lehet az Ön számára vagy kárt okozhat a gépben. Tartsa tisztán és rendben a munkaterületet. Ne működtesse a gépet nedves környezetben, vagy amikor maga a gép nedves. Tartsa távol a gépet gyúlékony anyagoktól. Ellenőrizze, hogy nincsenek-e kívülről, állatok vagy tárgyak, amelyek megsérülhetnek a gép működési tartományában.

Csak jól szellőző helyen működtesse. A forgács és a fűrészpor belélegezve vagy szembe kerülve egészségkárosító hatású lehet. Mindig viseljen megfelelő felálarcos légzőkészüléket és védőszemüveget, ha ilyen anyagokkal dolgozik, és használjon porszívó berendezést.

Csak nappali fényben vagy megfelelő mesterséges megvilágítás mellett, jó látási viszonyok között dolgozzon. Törekedjen arra, hogy ne okozzon zajt, csak a nap ésszerű időszakában használja a gépet. Vegyen fel szilárd és kiegyensúlyozott pozíciót. Lehetőség szerint kerülje a nedves, csúszós talajon végzett munkát, vagy minden esetben egyenletesen vagy meredek talajon, amely nem garantálja a stabilitást a kezelő számára.

A használaton kívüli szerszámokat száraz és biztonságos helyen kell tárolni, távol a kezelőgéptől és gyermekektől elzárva.

FENNTARTÓ VESZÉLYEK

A gépet modern technológiával és az elismert biztonsági szabályok betartásával építették. Még ak-

kor is, ha minden biztonsági intézkedés megvan, jelen lehet néhány fennmaradó, még nem nyilvánvaló veszély. A kezelőnek józan eszét kell követnie, és meg kell tennie a szükséges óvintézkedéseket a fennmaradó veszélyek miatti kockázatok elkerülése érdekében.

TERMÉKLEÍRÁS

RENDELTESSZERŰ HASZNÁLAT

Ezt a gépet munkadarabok fűréssal történő megmunkálására tervezték és gyártották, pl. fa, műanyag, fém és hasonló anyagokból készült darabok. Nem erős kereskedelmi használatra tervezték.

fent említettektől eltérő bármely más használat veszélyes lehet, embereket és/vagy tárgyakat és magát a gépet károsíthatja.

HELYTELEN HASZNÁLAT

A gépet tilos veszélyes anyagok megmunkálására használni, pl. gyúlékony vagy robbanásveszélyes termékek felhalmozódása és bármilyen más tárgy, amely veszélyes lehet magára a gépre, valamint a kezelőre, a közelben lévőkre, az állatokra vagy a tulajdonra.

A helytelen használat egyéb példái közé tartozhat, de nem kizárólagosan, a gép üzemeltetése:

- ▶ A gyártó által szállított eredeti tartozékok nélkül.
- ▶ Eredeti tartozékokkal, de a használati utasításnak nem megfelelő módon.
- ▶ Eredeti alkatrészek nélkül.
- ▶ Engedély nélküli módosításokkal.

JEGYZET:

A hatályos termékfelelősségi törvények értelmében a készülék gyártója nem vállal felelősséget a termékben bekövetkezett vagy a termék által okozott károkért, amelyek az alábbiak miatt következnek be:

- ▶ A szakszerűtlen kezelés nem tartotta be a használati utasítást.
- ▶ Harmadik felek, nem pedig felhatalmazott szerviztechnikusok által végzett javítások.
- ▶ Nem eredeti alkatrészek beszerelése.
- ▶ Nem rendeltetésszerű használat.
- ▶ Az elektromos rendszer meghibásodása a gép áramellátása miatt, amely nem felel meg az elektromos és VDE előírásoknak.

MŰSZAKI ADATOK

Cikkszám		45 938	45 939
Modell		DPB 16/12 PLUS	DPF 16/12 PLUS
	Névleges feszültség	V	230-240
Névleges frekvencia	Hz	50	50
Erő	W	550 (S1)	550 (S1)
Szám sebességekről		12	12

MŰSZAKI ADATOK			
Cikkszám		45 938	45 939
Modell		DPB 16/12 PLUS	DPF 16/12 PLUS
Sebesség tartomány	rpm	230-2.500	220-2.600
A tokmány maximális kapacitása	mm	13	13
Chuck stroke	mm	60	80
Hinta	mm	250	340
Munkasztal méretei (H x Sz)	mm	190 x 190	255 x 255
Munkasztal dőlésszög beállítása		-45°- 0°- 45°	-45°- 0°- 45°
Oszlop átmérő	mm	59,5	70
Alap méretei (H x SZ)	mm	334 x 203	428 x 255
Hangnyomásszint (LpA)	db(A)	70,7	73,8
Hangteljesítmény szint (LwA)	db(A)	84,5	86,8
Bizonytalanság (K)	dB	3	3
Magasság	mm	840	1.610
Nettó tömeg	kg	25	46

AZONOSÍTÁS (1., 2. ÁBRA)

1. Gépláb
2. Oszlop
3. Szorító fogantyú
4. Fúróasztal
5. Motor
6. Reteszeld markolat a szíj feszítéséhez
7. Ékszíj burkolat
8. Vészleállító kapcsoló
9. Háromküllős adagoló fogantyú
10. Összecsukható védő
11. Kulcsos fúrótokmány
12. Gépféj
13. Mélységjelző stoppal
14. Forgattyús fogantyú
15. Hatszögletű csavar

MŰVELET

AZ EGYSÉG ELŐKÉSZÍTÉSE

A kicsomagolást és az összeszerelést sík és stabil felületen kell végezni, elegendő hely legyen a gép és a csomagolás mozgatásához, mindig megfelelő felszerelést használva.

Csomag tartalma:

- ▶ Géptalp (x1) (2.1. ábra)
- ▶ (x1) oszlop (2.2. ábra)

- ▶ Szorító fogantyú (x1) (2.3. ábra)
 - ▶ Fúróasztal (x1) (2.4. ábra)
 - ▶ Adagoló fogantyú (x3) (2.9. ábra)
 - ▶ Összecsukható védő (x1) (2.10. ábra)
 - ▶ Fúrótokmány (x1) (2.11. ábra)
 - ▶ Gépféj (x1) (2.12. ábra)
 - ▶ Forgatókar (x1) (2.14. ábra)
 - ▶ Hatlapfejű csavar (x4) (2.15. ábra)
 - ▶ Imbuszkulcs (x2) (2.A, 2.B ábra)
- gép összeszereléséhez:

FIGYELEM:

A gépe megfelelő működéséhez szükséges összes beállítást a gyárban elvégezték. Ne módosítsa azokat. A szerszám normál kopása miatt azonban szükség lehet néhány újbóli beállításra.

FIGYELEM:

Bármilyen beállítás előtt mindig húzza ki a gépet az áramforrásból.

Oszlop és géptalp (3. ábra):

Helyezze le a gép lábát (1) a talajra vagy a munkapadra. Helyezze az oszlopot (2) az alaplapra úgy, hogy az oszlopon (2) lévő lyukak egy vonalba kerüljenek az alaplapon (1) lévő lyukakkal. Csavarja be a négy hatlapfejű csavart, hogy rögzítse az oszlopot az alaplemezhez, és húzza meg őket hatlapfejű kulccsal.

A fúróasztal tartó felszerelése (4-7. ábra):

1. A fúró felszereléséhez először el kell távolítania az állványt (C). Egy imbuszkulccsal távolítsa el a gyűrűt (D), és húzza le az oszlopról (2). Most húzza ki az állványt (C).
2. Helyezze be az állványt (C) a fúróasztal tartójának (4) hornyába.
3. Igazítsa az állványt (C) középen a fúróasztal-tartóhoz (4) képest.
4. Amikor a fogaslécet (C) összehozza a hornyba, ügyeljen arra, hogy a fogasléc és a fúróasztal-tartó (4) között megfelelő fogak illeszkedjenek.
5. Most helyezze a fúróasztal-tartót (4) a fogaslécet (C) az oszlopra (2), és vezesse az állványt (C) az oszloptalp alsó állványvezetőjébe.
6. A gyűrűvel (D) rögzítse az állványt (C). Győződjön meg arról, hogy a gyűrűn (D) lévő állványvezető lefelé néz. Húzza meg a beépített imbuszcsavart a gyűrű (D) rögzítéséhez.
7. Helyezze a kézi hajtókart (14) a fúróasztal-tartó (4) tengelyére, és rögzítse az imbuszcavarral. Ehhez használja az imbuszkulcsot (B).
8. Csavarja be az egyik szorító fogantyút (3) a fúróasztal tartójába (4).

A gépféj és az oszlop felszerelése (8. ábra):

Helyezze a gépféjet (12) az oszlopra (2). Igazítsa a fúró orsóját az asztalhoz és az alaplemezhez, és húzza meg az imbuszcavart, amely a gépféj oldalán található. Ehhez használja az imbuszkulcsot (A).

A fogantyúk felszerelése (9. ábra):

Csavarja be szorosan a három fogantyút (9) a fogantyútartóba. Ehhez használja a hatlapfejű kulcsot.

Az összecsuksukható védő és a fúrótokmány felszerelése (11. ábra):

Tolja rá az összecsuksukható védőt (10) a gépfejben lévő orsóra, és rögzítse egy „Phillips” fejű csavarhúzóval.

A tokmány felszerelése (12. ábra):

Tisztítsa meg a tokmány (11) kúpos furatát és az orsóképet egy tiszta szövetdarabbal. Ügyeljen arra, hogy ne legyenek rajta idegen részecskék, mert a legkisebb szennyeződés megakadályozza a tokmány megfelelő elhelyezését, ami a fúrószerű ingadozását okozza. Tolja felfelé a tokmányt az orsó orrán, ameddig csak lehet. Forgassa el a tokmány hüvelyét az óramutató járásával ellentétes irányba (felülről nézve), és nyissa ki teljesen a tokmány pofáját. Helyezzen egy fadarabot a gépasztalra, és engedje le az orsót a fadarabra. Erősen nyomja meg, hogy megbizonyosodjon arról, hogy a tokmány megfelelően illeszkedik.

JEGYZET:

Minden csupasz alkatrészt zsírral van ellátva, hogy megvédje őket a korróziótól. Mielőtt a fúrótokmányt az orsóra szerelné, mindkét részt teljesen zsírmentesíteni kell környezetbarát oldószerrel. Ez biztosítja az optimális teljesítményátvitelt.

A gép telepítése:

Az első használat előtt a fúrot álló helyzetben, szilárd felületre kell felszerelni. Ehhez használja az alaplamez mindkét rögzítőnyílását. Győződjön meg arról, hogy a gép szabadon hozzáférhető az üzemeltetéshez, beállításához és karbantartáshoz.

FIGYELEM:

A rögzítőcsavarokat csak olyan pontig szabad meghúzni, ahol nem torzítják vagy deformálják az alaplapot. A túlzott feszültség töréshoz vezethet.

JEGYZET:

A beépített villanymotor üzemképesen teljesen be van kötve. A fogyasztónak az áramellátó rendszerhez való csatlakozásának és az esetlegesen használt hosszabbító kábeleknek meg kell felelniük a helyi előírásoknak. Rendszeresen ellenőrizze az elektromos csatlakozókábeleket, hogy nem sérültek-e. Ellenőrzéskor győződjön meg arról, hogy a kábel ki van húzva a hálózathoz. Az elektromos csatlakozókábeleknek meg kell felelniük az Ön országában érvényes előírásoknak.

Egyfázisú motor:

- ▶ A hálózati feszültségnek meg kell egyeznie a motor adattábláján megadott feszültséggel.
- ▶ legfeljebb 25 m hosszúságú kábelek keresztmetszete 1,5 mm², a 25 méteren túl pedig legalább 2,5 mm².
- ▶ A hálózati csatlakozást megfelelő lassú működésű biztosítókkal kell védeni.

JEGYZET:

A motor túlterhelés esetén automatikusan lekapcsol. A motor egy eltérő lehűlési időszak után újra bekapcsolható.

FIGYELEM:

A gépet csak olyan aljzathoz csatlakoztassa, amelyen a megfelelő földelési érintkező van.

AZ EGYSÉG MŰKÖDTETÉSE FIGYELEM:

Saját biztonsága érdekében tartsa a gép kapcsolóját kikapcsolt állásban, miközben az alábbi műveletek bármelyikét végrehajtja. A gépet csak akkor szabad bekapcsolni, ha az eljárás adott lépése ezt írja elő, és csak az adott lépésre.

Fúrósárazak beszerelése:

FIGYELEM:

Csak az előírt maximális tengelyátmérőjű hengeres szárazmákat szabad a görgős tokmányba befogni. Csak éles és hibamentes szárazmát használjon. Ne használjon olyan szárazmát, amelynek a tengelye sérült, deformálódott vagy más módon hibás. Csak a használati utasításban meghatározott vagy a gyártó által jóváhagyott tartozékokat és tartozékokat használjon. Ha az oszlopfúró beszorul, kikapcsolja ki a gépet, és állítsa vissza a fúrot a kiinduló helyzetbe.

Helyezze be a fúrot a tokmányba elég mélyen ahhoz, hogy a tokmány pofáját maximálisan megfogja. Kisméretű fúrófej használatkor ne helyezze be olyan mélyre, hogy a pofák hozzáérjenek a fúrófej spirális hornyaihoz. Győződjön meg arról, hogy a fúrófej a tokmány közepén van, mielőtt a tokmány kulccsal meghúzná. Húzza meg megfelelően a fúrótokmányt, hogy a fúrófej ne csússzon el fúrás közben.

Forgassa el a tokmánykulcsot az óramutató járásával megegyező irányba a meghúzáshoz, az óramutató járásával ellentétes irányba a lazításhoz.

JEGYZET:

Az Ön pillérfúrója kulcsnélküli tokmánnyal van felszerelve. Ez lehetővé teszi a szárazmák cseréjét további tokmánykulcs nélkül. Ehhez helyezze be a szárazmát a gyorsan cserélhető fúrótokmányba, és húzza meg kézzel.

A sebesség beállítása (1. ábra):

A gép működési sebessége fokozatmentesen állítható.

JEGYZET:

A fordulatszám beállítása csak akkor megengedett, ha a motor jár és üresjáratban van.

Lassan és egyenletesen mozgassa a sebességszabályozó kart (6), miközben a gép üresjáratú üzemmódban van. Gondoskodjon arról, hogy a gép megszakítás nélkül működjön (pl. távolítsa el a munkadarabokat, fúrósárazakat stb.).

FIGYELEM:

Soha ne hagyja járni az oszlopfúrot, ha az ékszíj fedele nyitva van. A burkolat kinyitása előtt mindig húzza ki a hálózati csatlakozót. Soha ne érintse meg az ékszíjat, amikor az forog.

Fúrásmélység ütköző (13. ábra):

A fúróorsó elfordítható skálagyűrűvel (17) rendelkezik a fúrési mélység beállításához. Csak akkor állítsa be a beállítást, ha a berendezés leáll.

1. Nyomja lefelé a fúróorsót, amíg a fúrófej hegye hozzá nem ér a munkadarabhoz.
2. Lazítsa meg a rögzítőcsavart (13), és forgassa előre ütközésig a mérleggyűrűt (17).
3. Forgassa vissza a skálagyűrűt (17) a kívánt fúrési mélységre, majd rögzítse ezt a beállítást a szorítócsavar (13) segítségével.

JEGYZET:

A hengeres furat fúrási mélységének beállításakor hozzá kell adni a fúrócsúcs hosszát.

A fúróasztal szögének beállítása (14. ábra):

Lazítsa meg a kocscsavart (18) a fúróasztal alatt. Állítsa a fúróasztalt a kívánt szögbe. Húzza meg a kocscsavart (18), hogy a fúróasztalt ebben a helyzetben rögzítse.

A fúróasztal magasságának beállítása (15. ábra):

Lazítsa meg a rögzítőcsavart (3). Állítsa a fúróasztalt a kívánt helyzetbe a kézi hajtókar (14) segítségével. Csavarja vissza a szorítócsavart (3).

Az orsó visszatérő rugójának beállítása (16. ábra):

Előfordulhat, hogy az orsó visszatérő rugóját be kell állítani, mert a feszessége megváltozott, és az orsó túl gyorsan vagy túl lassan mozog vissza. Ehhez tegye a következőket:

1. Engedje le az asztalt a több munkaterületért.
2. Dolgozzon a fúró bal oldalán.
3. Helyezzen egy csavarhúzóat az alsó első horonyba (1), és tartsa meg.
4. Távolítsa el a külső anyát (3) egy villáskulccsal.
5. Miközben a csavarhúzó még mindig az anyában, lazítsa meg a belső anyát (4), amíg a bevágás ki nem válik az agyról (6).

FIGYELEM:

A tavasz feszültség alatt van.

6. Óvatosan forgassa el a rugósapkát (2) az óramutató járásával ellentétes irányba a csavarhúzóval, amíg az anyát (1) be nem tudja nyomni az agyba (6).
7. Engedje le az orsót a legalacsonyabb helyzetbe, és tartsa a rugósapkát (2) a helyén. Amikor az orsó tetszés szerint fel-le mozog, húzza meg ismét a belső anyát (4).
8. Ha túl laza, ismételje meg a 3-5. lépéseket. Ha túl szoros, fordítsa meg a 6. lépést.
9. Rögzítse a külső anyát (3) a belső anyához (4) egy villáskulccsal.

JEGYZET:

Ne húzza meg túlzottan, és ne korlátozza az orsó mozgását.

Az orsó tengelyirányú működése (17. ábra):

Amikor az orsó alsó helyzetben van, fordítsa el kézzel. Ha úgy találja, hogy a művelet túl nagy, kövesse az alábbiakat:

1. Lazítsa meg az ellenanyát (19).
2. Forgassa el a csavart az óramutató járásával megegyező irányba (20), hogy kiegyensúlyozza a működést anélkül, hogy megzavarná az orsó fel-le mozgását (egy kis működés normális).
3. Húzza meg ismét az ellenanyát (19).

A munkadarab elhelyezése:

Általános szabály, hogy a munkadarab rögzítéséhez gépi satu vagy más megfelelő rögzítőeszközt használjon. Soha ne tartsa kézzel a munkadarabot a helyén. Fúráskor a munkadarabnak képesnek kell lennie a fúróasztalon az önközpontosítás érdekében. Ügyeljen arra, hogy a munkadarab ne tudjon elfordulni. Ezt úgy érheti el a legjobban,

ha a munkadarabot/gépsatuját egy erős blokkra helyezi.

JEGYZET:

fémlemez alkatrészeket be kell szorítani, nehogy felszakadjanak. Minden munkadarabhoz megfelelően állítsa be a fúróasztal magasságát és szögét. Elegendő távolságnak kell lennie a munkadarab felső élé és a fúró hegye között.

JEGYZET:

Helyezzen egy darab tartalék anyagot (pl. fát) a munkadarab alatti asztalra. Ez megakadályozza, hogy a fúrószár áttörésekor széthasadjon vagy ne képződjön nehéz sorja a munkadarabok alsó oldalán.

FIGYELEM:

Annak érdekében, hogy a biztonsági másolat ne forogjon ki az irányítás alól, érintkeznie kell az oszlop bal oldalával az ábrán látható módon. Ha a munkadarab vagy a segédanyag nem elég hosszú ahhoz, hogy elérje az oszlopot, rögzítse őket az asztalhoz. Ennek elmulasztása személyi sérülést okozhat.

JEGYZET:

Kis darabokhoz, amelyeket nem lehet az asztalhoz rögzíteni, használjon fúrópréssatut (opcionális tartozék). A satut az asztalhoz kell szorítani vagy csavarozni, hogy elkerüljük a forgásból vagy törésből eredő sérüléseket.

Sebesség kiválasztása:

Ügyeljen arra, hogy megfelelő sebességgel fúrjon. A fúró sebessége a fúró átmérőjétől és a kéréses anyagtól függ.

Az alábbi táblázat útmutatóul szolgál a megfelelő sebesség kiválasztásához különböző anyagokhoz:

Fúrófejt \emptyset	Öntvény Vas	Acél	Vas	Alumínium	Bronz
3	2.550	1.600	2.230	9.500	8.000
4	1.900	1.200	1.680	7.200	6.000
5	1.530	955	1.340	5.700	4800
6	1.270	800	1.100	4.800	4.000
7	1.090	680	960	4.100	3.400
8	960	600	840	3.600	3.000
9	850	530	740	3.200	2.650
10	765	480	670	2.860	2.400
11	700	435	610	2.600	2.170
12	640	400	560	2.400	2.000
13	590	370	515	2.200	1.840
14	545	340	480	2.000	1.700
16	480	300	420	1.800	1.500
18	425	265	370	1.600	1.300
20	380	240	335	1.400	1.200
22	350	220	305	1.300	1.100
25	305	190	270	1.150	950

JEGYZET:

A fent megadott fúrési sebességek csak javasolt értékek.

Süllyesztés és középűrás:

Ezzel az asztali fúróval süllyesztést és középűrást is végezhet. Kérjük, vegye figyelembe, hogy a süllyesztést a legalacsonyabb fordulatszámom kell végrehajtani, míg a középűr fúráshoz nagy sebesség szükséges.

KARBANTARTÁS ÉS TISZTÍTÁS

FIGYELEM:

Saját biztonsága érdekében kapcsolja ki a kapcsolót, és húzza ki a dugót az áramforrásból, mielőtt bármilyen karbantartási műveletet végezne a fúrópréson. Tartsa tisztán készülékét. A motor károsodásának elkerülése érdekében gyakran fújja ki vagy porszívózza ki ezt a motort, hogy a fúrópréss por ne zavarja a motor normál szellőzését.

TÁPKÁBEL

Az áramütés vagy tűzveszély elkerülése érdekében, ha a tápkábel férges vagy elvágódott, vagy bármilyen módon megsérült, azonnal cseréltesse ki.

Hibás elektromos csatlakozókábelek:

Az elektromos csatlakozókábelek gyakran szigetelési sérülést szenvednek. Lehetséges okok a következők:

1. Lyukasztási pontok, amikor a csatlakozókábelek ablak- vagy ajtóréson vannak átvezetve.
2. A csatlakozókábel helytelen rögzítéséből vagy fektetéséből adódó megtörések.
3. Vágások a csatlakozó kábelen való átfutásból.
4. Szigetelési sérülés a fali konnektorból való erőteljes kihúzásból.
5. Repedések a szigetelés előrepedése miatt.

Az ilyen hibás elektromos csatlakozókábelek nem szabad használni, mivel a szigetelési sérülése rendkívül veszélyessé teszi őket.

KENÉS

Rendszeresen kenje meg a mozgó alkatrészeket.

TISZTÍTÁS

Használjon kis puha kefét a készülék külsejének tisztításához. Ne használjon erős tisztítószereket. Az aromás olajokat, például fenyő- és citromolajat és oldószereket, például kerozint tartalmazó háztartási tisztítószerek károsíthatják a műanyag házat vagy a fogantyút. Puha ruhával törölje le a nedvességet. Szükség esetén megfelelő porszívóval távolítsa el a port, szennyeződést és a megmunkálási maradványokat.

TÁROLÁS

FIGYELEM:

A gép tárolásához kapcsolja ki a kapcsolót, és húzza ki a dugót az áramforrásból.

A készüléket csak száraz és jól szellőző helyen tárolja.

Ha a készüléket hosszabb ideig tárolja, kövesse az alábbi tárolási eljárást:

1. Alaposan tisztítsa meg az egységet, és ellenőrizze, hogy nincsenek-e laza vagy sérült részek. Javítsa meg vagy cserélje ki a sérült alkatrészeket, és húzza meg a meglazult csavarokat,

anyákat vagy csavarokat.

2. Kenje meg és kenje be zsírral, ahol szükséges.
1. Tárolja a készüléket az eredeti csomagolásában.

KÖRNYEZETVÉDELEM

Hasznosítsa újra a nyersanyagokat ahelyett, hogy hulladékként dobná el. A gépet, a tartozékokat és a csomagolást szét kell válogatni a környezetbarát újrahasznosítás érdekében. A műanyag alkatrészek kategorizált újrahasznosítás céljából vannak felcímkézve.

Ezt a terméket nem szabad a háztartási hulladékkal együtt kidobni az elektromos és elektronikus berendezések hulladékaira vonatkozó jogszabályoknak megfelelően. Ezt a terméket a kijelölt gyűjtőhelyen kell leadni. Ez történhet például az elektromos és elektronikus berendezések hulladékainak újrahasznosítására kijelölt gyűjtőhelyen történő leadásával. A hulladék berendezések nem megfelelő kezelése negatív következményekkel járhat a környezetre és az emberi egészségre az elektromos és elektronikus berendezésekben gyakran előforduló potenciálisan veszélyes anyagok miatt. A termék megfelelő ártalmatlanításával Ön a természeti erőforrások hatékony felhasználásához is hozzájárul.

hulladékok gyűjtőhelyeiről tájékozódhat az önkormányzattól, a hulladékkezelésért felelős hatóságtól, az elektromos és elektronikus berendezések hulladékainak ártalmatlanításával megbízott szervezettől vagy a hulladékartalmatlanító cégtől.

GARANCIA

Erre a termékre a törvényi/országspecifikus előírásoknak megfelelő garanciát vállalunk, amely az első felhasználó általi vásárlás napjától érvényes. A normál kopásból, túlterhelésből vagy szakszerűtlen kezelésből eredő károk nem tartoznak a garancia hatálya alá. Reklamáció esetén kérjük, küldje el a gépet teljesen összeszerelve a kereskedőhöz vagy a hivatalos szervizközponthoz.

LIETUVIŲ K.

BENDRIEJI SAUGOS ĮSPĖJIMAI

Prieš naudodami šį gaminį perskaitykite ir supraskite šį savininko vadovą. Galite padėti išvengti nelaimingų atsitikimų susipažinę su savo gaminio valdikiiais ir laikydamiesi saugaus naudojimo procedūrų bei saugos ženklų. Visada vadovaukitės sveiku protu, kad išvengtumėte visų situacijų, kurios viršija jūsų galimybes. Nenaudokite, kai esate pavargę arba apsvaigę nuo narkotikų, alkoholio ar kitų vaistų. Darbo metu pašalinus asmenis ir gyvūnus, kurie gali būti sužaloti, taip pat daiktus, kurie gali būti sugadinti, laikykite atokiau. Niekada neleiskite vaikams ar žmonėms, kurie nėra susipažinę su šiomis instrukcijomis, naudoti gaminį. Vietiniai įstatymai gali apriboti minimalų operatoriaus amžių. Turėkite omenyje, kad operatorius arba naudotojas yra atsakingas už nelaimingus atsitikimus ar netikėtus įvykius, įvykius kitiems žmonėms, gyvūnams ar jų turtui. Saugokite gaminį nuo per didelės drėgmės, dulkių, purvo ar korozinių garų. Ant mašinos nemontuokite įrangos ar priedų, kurių nenumatė arba nepatvirtino gamintojas. Niekada nebandykite modifikuoti gaminio. Neleistini pakeitimai ar priedai gali sukelti rimtų kūno sužalojimų arba operatoriaus ar kitų asmenų mirtį. Kreipkitės į savo įgaliotąjį platintoją dėl išmontavimo ir techninės priežiūros, kurių šiame vadove neaprašyta. Jei kas nors sulūžytų arba įvyktų nelaimingas atsitikimas dirbant, nedelsdami išjunkite mašiną ir nuneškite ją, kad išvengtumėte tolesnių pažeidimų. Jei į mašiną pateko svetimkūnis, nedelsdami ją sustabdykite, patikrinkite, ar nepažeista, ir prieš vėl paleisdami pataisykite.

APSAUGINĖ ĮRANGA

Naudodami įrenginį įsitikinkite, kad naudojate tinkamas ir sertifikuotas apsaugos priemones. Visada dėvėkite judesį netrukdančius drabužius, apsaugines pirštines, akinius, respiratorių su purškauke, ausų apsaugas ir apsauginius batus nuo kirkimo neslystančiais padais. Niekada nedėvėkite šalikų, vėrinių, kabančių ar besiplečiančių priedų ir drabužių, kurie gali įstrigti mašinoje. Suriškite plaukus, jei jie ilgi.

GAISRO IR NUDEGIMO PAVOJUS

Dėl elektros įrangos veikimo sutrikimų gali atsirasti kibirkščių, kurios gali uždegti degias medžiagas.

Įsitikinkite, kad darbo vieta yra švari ir tvarkinga, ir nenaudokite mašinos šalia degių medžiagų. Kilus gaisrui, naudokite tinkamą gesintuvą.

Po darbo nelieskite besisukančių dalių ir gręžimo įrankio. Kai kurie paviršiai naudojimo metu gali labai įkaisti, todėl prieš liečiant juos reikia leisti šiek tiek atvėsti.

KATEGORIJOS SAUGOS ĮSPĖJIMAI

SAUGI EKSPLOATACIJA

Visos mašinos valdymo svirtys turi lengvai judėti iš vienos padėties į kitą ir nereikės veržti. Elektros laidai, ypač pagrindinio kištuko kabelis, turi

būti nepriekaištingos būklės, kad būtų išvengta kibirkščių susidarymo arba elektros smūgio pavojaus. Rankenos ir apsaugos įtaisai turi būti švarūs ir sausi, taip pat patikimai pritvirtinti prie mašinos. Valdykite mašiną abiem rankomis. Įsitikinkite, kad kiekvienam darbui visada naudojate tinkamą įrankį, kad išvengtumėte mašinos gedimo ar sužeidimų ir išvengtumėte mašinos perkrovos. Elektros tiekimo įtampa ir dažnis turi atitikti mašinos specifikacijas. Įsitikinkite, kad mašinos jungiklis yra išjungtas, kai jį prijungiate, kad išvengtumėte netyčinio paleidimo rizikos. Prieš naudodami mašiną, išimkite visus raktus ir veržliaraktus.

Įsitikinkite, kad sustabdėte mašiną ir ištraukėte kištuką iš elektros tinklo:

- Montuojant arba nuimant priedus ir įrankius.
- Kai paliekate mašiną be priežiūros.
- Valymo ar priežiūros metu.
- Mašinos perkėlimo, transportavimo ar sandėliavimo metu.

Jei mašina sugenda arba užstringa, nedelsdami išjunkite aparatą ir atjunkite jį nuo maitinimo šaltinio. Jei reikia, įgaliotajame techninės priežiūros centre mašinos negalima paleisti iš naujo, jei strigtis nepašalinta arba gedimas nepataisytas. Mašina gali užstrigti, kai:

- Mašina perkrauta.
- Apdirbamas ruošinys yra užstrigęs.

ELEKTROS PAVOJUS

Įsitikinkite, kad mašinos elektros laidai ir maitinimo kištukas, prie kurio jis prijungtas, yra geros būklės ir nenusidėvėję. Niekada nenaudokite sugadintos mašinos arba mašinos su pažeistais arba nusidėvėjusiais elektros laidais ir kištukais. Nelaikykite mašinos ir elektros laidų drėgnose aplinkoje ir niekada nelieskite, kai jie šlapi. Naudokite kištukinį laidą su žemimo kontaktu.

Nenaudokite laido kištuko ištraukimui iš lizdo. Kad nepažeistumėte maitinimo kabelio, maitinimo laidą visada traukite toliau nuo mašinos galinės dalies ir saugokite nuo karščio, alyvos ir aštrių daiktų. Jei mašiną ketinate naudoti lauke, naudokite tik ilginamuosius laidus, skirtus naudoti lauke. Bet kurio ilgintuvo skerspjuvis turi būti ne mažesnis kaip 1,5 mm², o tinklo jungtis turi būti apsaugota atitinkamu saugikliu.

SUKIANČIŲ DALIŲ PAVOJUS

Besisukančios dalys gali rimtai susižaloti. Venkite liestis su besisukančiomis dalimis, kai jos vis dar sukasi, ir pasirūpinkite, kad viskas, kas gali būti įstrigusi veikiančiame įrenginyje, pvz., palaidi plaukai ir drabužiai, būtų atokiau. Dirbdami su mašina laikykite rankas toliau nuo apdirbimo zonos.

Dirbinės dalys ir įrankiai gali susižaloti ir susižaloti bei sugadinti turtą. Įsitikinkite, kad mašina ir įrankiai visada yra geros būklės. Naudokite spastukus arba veržlę, kad ruošinys tvirtai laikytųsi savo vietoje. Nedirbkite su daiktais, kurie yra per maži, kad juos tvirtai pritvirtintumėte.

Patikrinkite, ar tinkamai sureguliuotos judančios ir besisukančios dalys arba ar nėra kitų gedimų, kurie gali kelti pavojų. Pažeistą apsaugą ar kitą dalį

prieš eksploatuojant mašiną turi pakeisti įgaliotasis techninės priežiūros centras.
Nelieskite besisukančių dalių, kol jos visiškai nesusostos.

TRIUŠMO IR VIBRACIJA PAVOJUS

Šiose instrukcijose nurodyti triukšmo lygiai yra didžiausi mašinos naudojimo lygiai. Nepakankama priežiūra turi didelę įtaką vibracijos ir triukšmo emisijai. Vadinas, būtina imtis prevencinių priemonių, kad būtų pašalinta galima žala dėl didelio triukšmo ir vibracijos įtempimo. Gerai prižiūrėkite mašiną, mūvėkite ausų apsaugos priemones, antivibracines pirštines ir dirbdami darykite pertraukas.

PAVOJAI DARBO ZONOJE

Krupoščiai apžiūrėkite visą darbo zoną ir naudokite grėblį arba kiemo šepetį, kad rankiniu būdu atlaisvintumėte šiukšles ir pašalintumėte viską, kas gali būti jums pavojingas šaltinis arba sugadinanti mašiną. Laikykite darbo vietą švarią ir tvarkingą. Nenaudokite mašinos drėgnoje aplinkoje arba kai pati mašina šlapia. Laikykite mašiną toliau nuo degių medžiagų. Patikrinkite, ar mašinos veikimo zonoje nėra pašalinių asmenų, gyvūnų ar daiktų, kurie galėtų būti pažeisti.

Dirbkite tik gerai vėdinamose patalpose. Skiedros ir pjūvenos gali kelti pavojų sveikatai įkvėpus arba patekusius į akis. Dirbdami su tokiomis medžiagomis visada dėvėkite tinkamą puskaukės respiratorių ir apsauginius akinius bei naudokite dulkių nusiurbimo įtaisą.

Dirbkite tik dienos šviesoje arba esant tinkamam dirbtiniam apšvietimui, esant geram matomumui. Stenkitės nekelti triukšmo, naudodami šį įrenginį tik tinkamu paros metu.

Užimkite tvirtą ir gerai subalansuotą poziciją. Jei įmanoma, nedirbkite ant šlapios, slidžios žemės arba bet kokių atveju nelygioje ar stačioje vietoje, kuri negarantuoja operatoriui stabilumo.

Nenaudojamas įrankius reikia laikyti sausoje ir saugioje vietoje, atokiau nuo veikiančios mašinos ir vaikams nepasiekiamoje vietoje.

LIKUSI PAVOJAI

Mašina buvo pagaminta naudojant šiuolaikines technologijas ir laikantis pripažintų saugos taisyklių. Net ir įgyvendinus visas saugos priemones, gali kilti tam tikrų pavojų, kurie dar nėra akivaizdūs. Operatorius turi vadovautis sveiku protu ir imtis būtinų atsargumo priemonių, kad išvengtų rizikos dėl likusių pavojų.

PRODUKTO SPECIFIKACIJOS

PASKIRTIS

Ši mašina suprojektuota ir pagaminta ruošinių apdirbimui gręžiant, pvz., medieną, plastiką, metalą ir panašias medžiagas. Jis nėra skirtas atsargumui komerciniam naudojimui.

Bet koks kitas naudojimas, kuris skiriasi nuo pirmiau minėtų, gali būti pavojingas, pakenkti žmonėms ir (arba) sugadinti daiktus ir pačią mašiną.

NETINKAMAS NAUDOJIMAS

Mašinos negalima apdirbti pavojingų medžiagų, pvz., susikaupusių degių ar sprogių produktų ir kitų objektų, kurie gali būti pavojingi pačiai mašinai, taip pat operatoriui, pašaliniams asmenims, gyvūnams ar turtui.

Kiti netinkamo naudojimo pavyzdžiai gali apimti, bet tuo neapsiribojant, mašinos veikimą:

- ▶ Be originalių gamintojo pateiktų priedų.
- ▶ Su originaliais priedais, bet ne pagal instrukcijas.
- ▶ Be originalių atsarginių dalių.
- ▶ Su neleistiniais pakeitimais.

PASTABA:

Pagal galiojančius gaminio atsakomybės įstatymus, įrenginio gamintojas neprisiima atsakomybės už gaminio žalą ar gaminio sukeltus pažeidimus, atsiradusius dėl:

- ▶ Netinkamai elgiantis, nesilaikyta naudojimo instrukcijų.
- ▶ Remontą atlieka trečiosios šalys, o ne įgalioti techninės priežiūros specialistai.
- ▶ Neoriginalių atsarginių dalių montavimas.
- ▶ Naudojimas ne pagal paskirtį.
- ▶ Elektros sistemos gedimas dėl mašinos galios, neatitinkančio elektros ir VDE taisyklių.

TECHNINIAI DUOMENYS			
Straipsnio numeris		45 938	45 939
Modelis		DPB 16/12 PLUS	DPF 16/12 PLUS
Nominali įtampa	V	230-240	230-240
Įvertintas	Hz	50	50
Dažnis	W	550 (S1)	550 (S1)
Galía		12	12
Skaičius	rpm	230-2.500	220-2.600
greičių	mm	13	13
Greičio diapazonas	mm	60	80
Maksimali griebtuvo talpa	mm	250	340
Chucko smūgis	mm	190 x 190	255 x 255
Sūpynės		-45°- 0°- 45°	-45°- 0°- 45°
Darbo stalo matmenys (l x P)	mm	59,5	70
Darbo stalo kampo reguliavimas	mm	334 x 203	428 x 255
Kolonėlės skersmuo	db(A)	70,7	73,8

TECHNINIAI DUOMENYS			
Straipsnio numeris		45 938	45 939
Modelis		DPB 16/12 PLUS	DPF 16/12 PLUS
Pagrindo matmenys (l x P)	db(A)	84,5	86,8
Neapibrėžtis (K)	dB	3	3
Aukštis	mm	840	1.610
Grynas svoris	kg	25	46

IDENTIFIKACIJA (1, 2 PAV.)

1. Mašinos pėda
2. Stulpelis
3. Tvirtinimo rankena
4. Gręžimo stalias
5. Variklis
6. Fiksuojanti rankena diržo įtempimui
7. V Formos diržo dangtelis
8. Avarinio stabdymo jungiklis
9. Trijų stipinų padavimo rankena
10. Sulankstoma apsauga
11. Gražto griebtuvas
12. Mašinos galvutė
13. Gylio indikatorius su stovu
14. Alkūninė rankena
15. Šešiakampis varžtas

OPERACIJA

ĮRENGINIO PARUOŠIMAS

Išpakavimas ir surinkimas turi būti atliekamas atlygaus ir stabilaus paviršiaus, turint pakankamai vietos mašinai ir jos pakuotėms perkelti, visada naudojant tinkamą įrangą.

Pakuotės turinys:

- ▶ Mašinos pėda (x1) (2.1 pav.)
- ▶ Stulpelis (x1) (2.2 pav.)
- ▶ Užveržimo rankena (x1) (2.3 pav.)
- ▶ Gręžimo stalias (x1) (2.4 pav.)
- ▶ Tiekimo rankena (x3) (2.9 pav.)
- ▶ Sulankstoma apsauga (x1) (2.10 pav.)
- ▶ Gręžimo griebtuvas (x1) (2.11 pav.)
- ▶ Mašinos galvutė (x1) (2.12 pav.)
- ▶ Alkūninė rankena (x1) (2.14 pav.)
- ▶ Šešiakampis varžtas (x4) (2.15 pav.)
- ▶ Šešiakampis veržliaraktis (x2) (2.A, 2.B pav.)

Norėdami surinkti mašiną:

ĮSPĖJIMAS:

Visi reikalingi reguliavimai, kad jūsų mašina veiktų gerai, buvo atlikti gamykloje. Nekeiskite jų. Tačiau dėl įprasto įrankio nusidėvėjimo gali prireikti kai kurių iš naujo sureguliuoti.

ĮSPĖJIMAS:

Prieš atlikdami bet kokius reguliavimus, visada atjunkite įrenginį nuo maitinimo šaltinio.

Kolona ir mašinos kojėlė (3 pav.):

Padėkite mašinos koją (1) ant žemės arba ant

darbastalio. Padėkite koloną (2) ant pagrindo plokštės taip, kad kolonėlės (2) skylės sutaptų su pagrindo plokštės (1) skylėmis. Prisukite keturis šešiakampius varžtus, kad pritvirtintumėte koloną prie pagrindo plokštės, ir priveržkite juos šešiakampiu veržliarakčiu.

Gręžimo stalo laikiklio montavimas (4-7 pav.):

1. Norėdami sumontuoti grąžtą, pirmiausia turite nuimti stovą (C). Naudodami šešiakampį raktą nuimkite žiedą (D) ir nuimkite jį nuo kolonėlės (2). Dabar ištraukite stovą (C).
2. Įstatykite stelažą (C) į gręžimo stalo laikiklio (4) griovelį.
3. Sulygiuokite lentyną (C) centre gręžimo stalo laikiklio (4) atžvilgiu.
4. Sujungdami stelažą (C) į griovelį, įsitinkinkite, kad danties ryšys tarp stovo ir gręžimo stalo laikiklio (4) yra tinkamas.
5. Dabar uždėkite gręžimo stalo laikiklį (4) su stovu (C) ant kolonėlės (2) ir nukreipkite stelažą (C) į apatinį stovo kreiptuvą, esantį ant kolonėlės kojėlės.
6. Žiedu (D) pritvirtinkite stovą (C). Įsitinkinkite, kad stelažo kreiptuvas ant žiedo (D) yra nukreiptas žemyn. Priveržkite integruotą šešiabriaunį varžtą, kad pritvirtintumėte žiedą (D).
7. Uždėkite rankinį švaistiklį (14) ant gręžimo stalo laikiklio (4) veleno ir pritvirtinkite šešiakampiu varžtu. Norėdami tai padaryti, naudokite šešiakampį raktą (B).
8. Įsukite vieną iš užveržimo rankenų (3) į gręžimo stalo laikiklį (4).

Mašinos galvutės ir kolonėlės montavimas (8 pav.):

Uždėkite mašinos galvutę (12) ant kolonėlės (2). Sulygiuokite grąžto veleną su stalu ir pagrindo plokšte ir priveržkite šešiakampį varžtą, esantį mašinos galvutės šone. Norėdami tai padaryti, naudokite šešiakampį raktą (A).

Rankenų montavimas (9 pav.):

Tvirtai įsukite tris rankenas (9) į rankenų lentyną. Norėdami tai padaryti, naudokite šešiakampį veržliaraktį.

Sulankstomos apsaugos ir gręžimo griebtuvo montavimas (11 pav.):

Stumkite sulankstomą apsaugą (10) ant veleno ant mašinos galvutės ir pritvirtinkite atsuktuvu „Phillips“ galvute.

Griebtuvo montavimas (12 pav.):

Švaria audinio gabalėliu išvalykite kūginę griebtuvo angą (11) ir veleno kūgį. Įsitinkinkite, kad ant jo nėra pašalinių dalelių, nes menkiausias nešvarumų gabalėlis nelems tinkamai pastatyti griebtuvo, todėl grąžtas susvyruos. Pastumkite griebtuvą ant veleno nosies iki galo. Pasukite griebtuvo įvorę prieš laikrodžio rodyklę (žiūrint iš viršaus) ir visiškai atidarykite griebtuvo nasrus. Padėkite medžio gabalą ant mašinos stalo ir nuleiskite veleną ant medžio gabalo. Tvirtai paspauskite, kad įsitinkintumėte, jog griebtuvą tinkamai sumon-

tuotas.

PASTABA:

Visos tuščios dalys yra suteptos, kad būtų apsaugotos nuo korozijos. Prieš montuojant gręžimo griebtuvą ant veleno, abi dalys turi būti visiškai nuriabinamos aplinkai nekenksmingu tirpikliu. Tai užtikrina optimalų galios perdavimą.

Mašinos montavimas:

Prieš naudodami sėjamąją pirmą kartą, ji turi būti pritvirtinta nejudančioje padėtyje ant kieto paviršiaus. Norėdami tai padaryti, naudokite abi pagrindines plokštės tvirtinimo angas. Užtikrinkite, kad mašina būtų laisvai prieinama eksploatuoti, reguliuoti ir prižiūrėti.

ĮSPĖJIMAS:

Tvirtinimo varžtus galima priveržti tik tiek, kad jie neiškraipytų ir nedeformuotų pagrindo plokštės. Per didelė įtampa gali sukelti lūžius.

PASTABA:

Sumontuotas elektros variklis yra pilnai prijungtas ir paruoštas darbui. Kliento prijungimas prie maitinimo sistemos ir bet kokie ilginamieji laidai, kurie gali būti naudojami, turi atitikti vietines taisykles. Reguliariai tikrinkite elektros prijungimo laidus, ar nepažeisti. Tikrinami įsitikinkite, kad laidai atjungtas nuo elektros tinklo. Elektros prijungimo kabeliai turi atitikti jūsų šalyje galiojančius teisės aktus.

Vienfazis variklis:

- ▶ Tinklo įtampa turi sutapti su įtampa, nurodyta variklio duomenų lentelėje.
- ▶ Iki 25 m ilgio kabelių skerspjūvis turi būti 1,5 mm², o ilgesni nei 25 m – mažiausiai 2,5 mm².
- ▶ Prijungimas prie elektros tinklo turi būti apsaugotas tinkamu lėtai veikiančiu saugikliu.

PASTABA:

Perkrovos atveju variklis automatiškai išsijungia. Variklis gali būti vėl įjungtas po aušinimo laikotarpio, kuris gali skirtis.

ĮSPĖJIMAS:

Mašinąjunkite tik prie lizdo su tinkamai sumontuotu žemimo kontaktu.

ĮRENGINIO VALDYMAS

ĮSPĖJIMAS:

Savo saugumo sumetimais atlikdami bet kurią iš toliau nurodytų procedūrų laikykite mašinos jungiklį išjungtoje padėtyje. Įrenginys turi būti įjungtas tik tuo atveju, jei tai nurodyta konkrečiame procedūros veiksmo ir tik tam konkrečiam veiksmui.

Grąžtų montavimas:

ĮSPĖJIMAS:

Tik cilindrinis įrankis, kurių veleno skersmuo yra didžiausias nurodytas, galima spausti į griebtuvą. Naudokite tik aštrų ir be defektų įrankį. Nenaudokite įrankių, kurių velenas yra pažeistas, deformuotas ar kitaip su defektais. Naudokite tik naudojimo instrukcijoje nurodytus arba gamintojo patvirtintus priedus ir priedus. Jei statramstinis grąžtas užstrigtų, išjunkite mašiną ir grąžinkite grąžtą į pradinę padėtį. Įkiškite grąžtą į griebtuvą pakankamai toli, kad maksimaliai sugriebtumėte griebtuvo nasrus. Kai nau-

dojate mažą grąžtą, neįkiškite jo taip toli, kad nasrai liestų spiralinius grąžto griovelius. Prieš priverždami griebtuvą griebtuvo raktu, įsitikinkite, kad grąžtas yra griebtuvo centre. Pakankamai priveržkite gręžimo griebtuvą, kad grąžtas gręžiant neslystų. Pasukite griebtuvą raktą pagal laikrodžio rodyklę, kad priveržtumėte, prieš laikrodžio rodyklę, kad atlaisvintumėte.

PASTABA:

Jūsų statramsčio grąžtoje yra beraktis griebtuvas. Tai leidžia pakeisti įrankius be papildomo griebtuvo rakto. Norėdami tai padaryti, įkiškite įrankį į greitai keičiamą gręžimo griebtuvą ir priveržkite ranka.

Greičio nustatymas (1 pav.):

Mašinos veikimo greitis reguliuojamas tolygiai.

PASTABA:

Greičio reguliavimas leidžiamas tik tada, kai variklis veikia ir veikia tuščiąja eiga.

Lėtai ir tolygiai judinkite greičio reguliavimo svirtį (6), kai mašina veikia tuščiosios eigos režimu. Užtikrinkite, kad mašina galėtų veikti be pertrūkių (pvz., nuimkite ruošinius, grąžtus ir pan.).

ĮSPĖJIMAS:

Niekada neleiskite statramsčio grąžto veikti, kai atidarytas trapecinio diržo dangtis. Prieš atidarydami dangtį, visada ištraukite maitinimo kištuką. Niekada nelieskite V formos diržo, kai jis sukasi.

Sėjimo gylio ribotuvus (13 pav.):

Gręžimo suklyje yra pasukamas skalės žiedas (17), skirtas gręžimo gyliui nustatyti. Nustatykite tik tada, kai įranga sustoja.

1. Spauskite gręžimo veleną žemyn, kol grąžto galas palies ruošinį.
2. Atlaisvinkite užveržimo varžtą (13) ir pasukite svarstyklį žiedą (17) į priekį, kol jis sustos.
3. Pasukite skalės žiedą (17) atgal į norimą gręžimo gylį ir užfiksuokite šį nustatymą, naudodami užveržimo varžtą (13).

PASTABA:

Nustatydami cilindrinės skylės gręžimo gylį, turite pridėti gręžimo antgalio ilgį.

Gręžimo stalo kampo nustatymas (14 pav.):

Atsukite vežimėlio varžtą (18) po gręžimo stalu. Gręžimo stalą nustatykite norimu kampu. Priveržkite vežimėlio varžtą (18), kad užfiksuotumėte gręžimo stalą šioje padėtyje.

Gręžimo stalo aukščio nustatymas (15 pav.):

Atsukite priveržimo varžtą (3). Rankinio švaistiklio (14) pagalba nustatykite gręžimo stalą į norimą padėtį. Vėl įsukite priveržimo varžtą (3).

Suklio grąžinimo spyruoklės reguliavimas (16 pav.):

Gali prireikti reguliuoti veleno grąžinimo spyruoklę, nes pasikeitė jos įtempimas ir velenas per greitai arba per lėtai juda atgal. Norėdami tai padaryti:

1. Nuleiskite stalą, kad būtų daugiau darbo vietos.
2. Dirbkite kairėje grąžto pusėje.
3. Į apatinį priekinį griovelį (1) įkiškite atsuktuvą ir laikykite jį.
4. Nuimkite išorinę veržlę (3) veržliarakčiu.

5. Atsuktuvui tebesant veržlėje, atsukite vidinę veržlę (4), kol įpjova atsiskirs nuo stebulės (6).
ĮSPĖJIMAS:
Pavasaris yra įtemptas.
6. Atsargiai atsuktuvu pasukite spyruoklinį dangtelį (2) prieš laikrodžio rodyklę, kol galėsite įspausti veržlę (1) į stebulę (6).
7. Nuleiskite veleną į žemiausią padėtį ir laikykite spyruoklinį dangtelį (2). Kai velenas juda aukštyn ir žemyn, kaip norite, vėl priveržkite vidinę veržlę (4).
8. Jei jis per laisvas, pakartokite 3–5 veiksmus. Jei jis per ankštas, pakeiskite 6 veiksma.
9. Pritvirtinkite išorinę veržlę (3) prie vidinės veržlės (4) atviruoju veržliarakiu.

PASTABA:

Per daug nepriveržkite ir nevaržykite veleno judėjimo.

Ašinis veleno veikimas (17 pav.):

Kai velenas yra apatinėje padėtyje, pasukite jį ranka. Jei manote, kad operacija yra per didelė, atlikite šiuos veiksmus:

1. Atsukite fiksavimo veržlę (19).
2. Pasukite varžtą pagal laikrodžio rodyklę (20), kad subalansuotumėte veikimą, netrukdydami veleno judėjimui aukštyn ir žemyn (nedidelis veikimas yra normalus).
3. Dar kartą priveržkite fiksavimo veržlę (19).

Darbinės dalies išdėstymas:

Paprastai naudokite mašinos veržlę arba kitą tinkamą suspaudimo įtaisą, kad pritvirtintumėte ruošinį. Niekada nelaikykite ruošinio ruošioje ranka. Grežiant ruošinį turi galėti judėti ant gręžimo stalo, kad būtų galima susicentruoti. Įsitinkinkite, kad ruošinys negali pasisukti. Tai geriausia pasiekti uždedant ruošinį / mašinos veržlę ant tvirto bloko.

PASTABA:

Lakštinio metalo dalys turi būti suspaustos, kad jos nesuplyštų. Tinkamai nustatykite kiekvieno ruošinio gręžimo stalo aukštį ir kampą. Tarp viršutinio ruošinio krašto ir grąžto galo turi būti pakankamai atstumo.

PASTABA:

Padėkite atsarginę medžiagos gabalą (pvz., medį) ant stalo po ruošiniu. Taip išvengsite skilimo arba sunkių įdubimų apatinėje ruošinių pusėje, kai gręžtuvas prasibrauna.

ĮSPĖJIMAS:

Kad atsarginė medžiaga nesisuktų nekontroliuojamai, ji turi liestis su kairiąja stulpelio puse, kaip parodyta paveikslėlyje. Jei ruošinys arba atsarginė medžiaga nėra pakankamai ilgi, kad pasiektų kolonėlę, priveržkite juos prie stalo. Jei to nepadarysite, galite susižaloti.

PASTABA:

Smulkiems gabalams, kurių negalima pritvirtinti prie stalo, naudokite gręžimo spaustukus (papildomas priedas). Užrašas turi būti prispaustas arba pritvirtintas varžtais prie stalo, kad nesusižeistumėte dėl besisukančio ar sulūžusio.

Greičio pasirinkimas:

Įsitinkinkite, kad greičiate tinkamu greičiu. Gręžimo greitis priklauso nuo grąžto skersmens ir atitinka-

mos medžiagos.

Žemiau pateikta lentelė padeda pasirinkti tinkamą greitį įvairioms medžiagoms:

Grąžtas ø	Aktoriai geležies	Plienas	Geležis	Aliuminis	Bronza
3	2.550	1.600	2.230	9.500	8.000
4	1.900	1.200	1.680	7.200	6.000
5	1.530	955	1.340	5.700	4800
6	1.270	800	1.100	4.800	4.000
7	1.090	680	960	4.100	3.400
8	960	600	840	3.600	3.000
9	850	530	740	3.200	2.650
10	765	480	670	2.860	2.400
11	700	435	610	2.600	2.170
12	640	400	560	2.400	2.000
13	590	370	515	2.200	1.840
14	545	340	480	2.000	1.700
16	480	300	420	1.800	1.500
18	425	265	370	1.600	1.300
20	380	240	335	1.400	1.200
22	350	220	305	1.300	1.100
25	305	190	270	1.150	950

PASTABA:

Aukščiau nurodyti gręžimo greičiai yra tik siūlomos vertės.

Gręžimas ir centrinis gręžimas:

Su šiuo staliniu grąžtu taip pat galite įsmigti ir gręžti centre. Atkreipkite dėmesį, kad įdubimas turi būti atliekamas mažiausiu greičiu, o didelis greitis reikalingas gręžiant centre.

PRIEŽIŪRA IR VALYMAS**ĮSPĖJIMAS:**

Savo saugumą sumetimais prieš bet kokius gręžimo preso priežiūros darbus išjunkite jungiklį ir ištraukite kištuką iš maitinimo šaltinio.

Laikykite savo prietaisą švaru. Kad nesugadintumėte variklio, dažnai išpūskite arba išsiurbkite šį variklį, kad gręžimo preso dulkęs netrukdytų normaliai variklio ventiliacijai.

MAITINIMO LAIDAS

Kad išvengtumėte smūgio ar gaisro pavojaus, jei maitinimo laidas yra sliekinis, perpjaukite arba kokių nors būdu pažeistas, nedelsdami pakeiskite jį.

Sugedę elektros prijungimo laidai:

Elektros prijungimo kabeliai dažnai pažeidžia izoliaciją. Galimos priežastys yra šios:

1. Perforavimo taškai, kai jungiamieji laidai yra nuvesti per langų ar durų tarpus.
2. Sulenkimai, atsiradę dėl netinkamo prijungimo kabelio pritvirtinimo arba klojimo.
3. Įpjovimai, atsiradę perbėgus jungiamąjį laidą.

4. Izoliacijos pažeidimas, atsiradęs dėl jėgos ištraukimo iš sieninio lizdo.
5. Įtrūkimai dėl izoliacijos senėjimo. Tokių sugedusių elektros jungčių kabelių naudoti negalima, nes dėl izoliacijos pažeidimo jie yra itin pavojingi.

TEPIMAS

Periodiškai sutepkite judančias dalis.

VALYMAS

Nedidelį minkštą šepetėlį valykite įrenginio išorę. Nenaudokite stiprių ploviklių. Buitiniai valikliai, kurių sudėtyje yra aromatinių aliejų, pvz., pušų ir citrinų, ir tirpiklių, tokių kaip žibalas, gali pažeisti plastikinį korpusą arba rankeną. Drėgmę nuvalykite minkšta šluoste. Jei reikia, atitinkamu dulkių siurbliu pašalinkite dulkes, nešvarumus ir apdirbimo likučius.

SANDĖLIAVIMAS

ĮSPĖJIMAS:

Išjunkite jungiklį ir ištraukite kištuką iš maitinimo šaltinio lizdo, kad galėtumėte laikyti mašiną.

Laikykite įrenginį tik sausose ir gerai vėdinamose patalpose.

Jei įrenginys bus saugomas ilgesnį laiką, naudokite šią saugojimo procedūrą:

1. Kruopščiai išvalykite įrenginį ir patikrinkite, ar nėra palaidų ar pažeistų dalių. Pataisykite arba pakeiskite pažeistas dalis ir priveržkite atsilaisvintus varžtus, veržles arba varžtus.
2. Jei reikia, sutepkite ir patepkite tepalu.
3. Laikykite įrenginį originalioje pakuotėje.

APLINKOS APSAUGA

Perdirbkite žaliavas, o ne išmeskite kaip atliekas. Mašina, priedai ir pakuotės turi būti rūšiuojamos, kad būtų galima perdirbti aplinkai nekenksmingą. Plastikiniai komponentai yra paženklinti, kad juos būtų galima perdirbti.



Šio gaminio negalima išmesti kartu su buitinėmis atliekomis, laikantis atitinkamų teisės aktų, reglamentuojančių elektros ir elektroninės įrangos atliekas. Šį gaminį reikia išmesti į tam skirtą surinkimo punktą. Tai gali įvykti, pavyzdžiui, atiduodant jį į įgaliotą elektros ir elektroninės įrangos atliekų surinkimo punktą. Netinkamas įrangos atliekų tvarkymas gali turėti neigiamų pasekmių aplinkai ir žmonių sveikatai dėl potencialiai pavojingų medžiagų, kurios dažnai būna elektros ir elektroninėje įrangoje. Tinkamai išmesdami šį gaminį taip pat prisidedate prie efektyvaus gamtos išteklių naudojimo.

Informaciją apie įrangos atliekų surinkimo vietas galite gauti iš savo savivaldybės administracijos, valstybinės atliekų šalinimo institucijos, įgaliotos elektros ir elektroninės įrangos atliekų šalinimo įstaigos arba atliekų išvežimo įmonės.

GARANTIJA

Šiam gaminiui suteikiama garantija pagal teisinius / konkrečios šalies reglamentus, kurie galioja nuo pir-

mojo naudotojo įsigijimo datos. Garantija netaikoma žalai, atsiradusioms dėl normalaus nusidėvėjimo, perkrovos ar netinkamo naudojimo. Jei turite pretenzijų, visiškai surinktą mašiną nusiųskite pardavėjui arba oficialiam aptarnavimo centrui.

EN	EU DECLARATION OF CONFORMITY		We declare under our sole responsibility that the listed products comply with all applicable provisions of the below directives and are also in conformity with the following standards. Production year and serial number are on the product. The relative technical file is at the below address.	
	BENCH DRILL PRESS FLOOR DRILL PRESS			
	MODEL	Article number		
FR	DÉCLARATION CE DE CONFORMITÉ		Nous déclarons sous notre propre responsabilité que les produits décrits sont conformes à toutes les dispositions applicables des directives ci-dessous et sont également conformes aux normes suivantes. L'année de production et le numéro de série figurent sur le produit. Le dossier technique correspondant est à l'adresse ci-dessous.	
	PERCEUSE À COLONNE PERCEUSE À COLONNE D'ÉTABLI			
	MODÈLE	Numéro de l'article		
IT	DICHIARAZIONE CE DI CONFORMITÀ		Dichiaro sotto la nostra piena responsabilità che i prodotti indicati sono conformi a tutte le disposizioni applicabili delle seguenti direttive e sono inoltre conformi alle seguenti norme. Anno di produzione e numero di serie sono sul prodotto. La relativa scheda tecnica è al seguente indirizzo.	
	TRAPANO A COLONNA TRAPANO A COLONNA			
	MODELLO	Codice prodotto		
EL	ΔΗΛΩΣΗ ΣΥΜΜΟΡΦΩΣΗΣ ΕΚ		Δηλώνουμε με αποκλειστική μας ευθύνη, ότι τα αναφερόμενα προϊόντα συμμορφώνονται με όλες τις σχετικές διατάξεις των κάτωθι οδηγιών και είναι επίσης σύμφωνα με τα ακόλουθα πρότυπα. Το έτος παραγωγής και ο σειριακός αριθμός αναγράφονται στο προϊόν. Ο τεχνικός φάκελος είναι στην παρακάτω διεύθυνση.	
	ΔΡΑΠΑΝΟ ΚΟΛΩΝΑΤΟ ΠΑΓΚΟΥ ΔΡΑΠΑΝΟ ΚΟΛΩΝΑΤΟ ΔΑΠΕΔΟΥ			
	ΜΟΝΤΕΛΟ	Κωδικός προϊόντος		
SR	CE IZJAVA O USAGLAŠENOSTI		Na sopstvenu odgovornost izjavljujemo, da navedeni proizvodi poštuju sve važeće odredbe din navedenih direktiva i da su u skladu sa sledećim standardima. Proizvodna godina i serijski broj su na proizvodu. Relativna tehnološka datoteka je na donje adrese.	
	STUBNA BUŠILICA STUBNA BUŠILICA			
	MODEL	Broj predmeta		
HR	EU IZJAVA O SUKLADNOSTI		Pod punom odgovornošću izjavljujemo da navedeni proizvodi u skladu sa svim primjenjivim odredbama dolje navedenih direktiva, a također su u skladu sa sljedećim standardima. Godina proizvodnje i serijski broj su na proizvodu. Relativna tehnička datoteka nalazi se na donjoj adresi.	
	STUPNA BUŠILICA STUPNA BUŠILICA			
	MODEL	Broj artikla		
RO	DECLARAȚIE DE CONFORMITATE UE		Declarăm pe proprie răspundere că produsele menționate respectă toate prevederile aplicabile din directivele de mai jos și sunt, de asemenea, conforme cu următoarele standarde. Anul de producție și numărul de serie sunt pe produs. Fișierul tehnic relativ se află la adresa de mai jos.	
	MAȘINĂ DE GĂURIT TIP COLOANĂ MAȘINĂ DE GĂURIT TIP COLOANĂ			
	MODEL	Număr articol		
HU	EU MEGFELELŐSÉGI NYILATKOZAT		Kijelentjük kizárólagos felelősségünkre, hogy a felsorolt termékek megfelelnek az alábbi irányelvek összes vonatkozó rendelkezésének, és megfelelnek a következő szabványoknak is. A gyártási év és a sorozatszám a terméken található. A relatív műszaki fájl az alábbi címen található.	
	ASZTALI OSZLOPOS FÚRÓGÉP OSZLOPOS FÚRÓGÉP			
	MODELL	Cikk szám		
LT	ES ATITIKTIES DEKLARACIJA		Mes, prisiišdami visą atsakomybę, pareiškiame, kad išvardyti produktai atitinka visas taikomas toliau nurodytu direktyvų nuostatas ir taip pat atitinka šiuos standartus. Gamybos metai ir serijos numeris yra ant gaminio. Santykinis technologinis failas yra žemiau nurodytu adresu.	
	STALINĖS GRĘŽIMO STAKLĖS ANTŽEMINĖS GRĘŽIMO STAKLĖS			
	MODELIS	Straipsnis Numeris		
	DPB 16/12 PLUS	45 938	2006/42/EC	EN 62841-1:2015
	DPF 16/12 PLUS	45 939		EN 62841-3-13:2017
Aimilios G. Theodorou Electrical Engineer, Safety Officer  28/9/2022 FF GROUP TOOL INDUSTRIES, 19300 Aspropyrgos-Greece.			FF GROUP TOOL INDUSTRIES 9,5km Attiki Odos, Aspropyrgos 19300, Athens, Greece Tel. +30 210 55 98 400	

A series of 25 horizontal dotted lines spanning the width of the page, providing a template for handwritten notes.



FF GROUP TOOL INDUSTRIES



9,5 Km Attiki Odos, Aspropyrgos

19300, Athens, Greece



+30 210 55 98 400



info@ffgroup-toolindustries.com



www.ffgroup-tools.com