

# FFGROUP®



**AG 125/1100E PRO**  
**AG 125/1200EC PRO**

EN

ORIGINAL INSTRUCTIONS

FR

NOTICE ORIGINALE

IT

ISTRUZIONI ORIGINALI

EL

ΠΡΩΤΟΤΥΠΟ ΟΔΗΓΙΩΝ ΧΡΗΣΗΣ

SR

ORIGINALNO UPUTSTVO ZA RAD

HR

ORIGINALNE UPUTE ZA RAD

RO

INSTRUCȚIUNI DE FOLOSIRE ORIGINALE

BG

ОРИГИНАЛНИ ИНСТРУКЦИИ

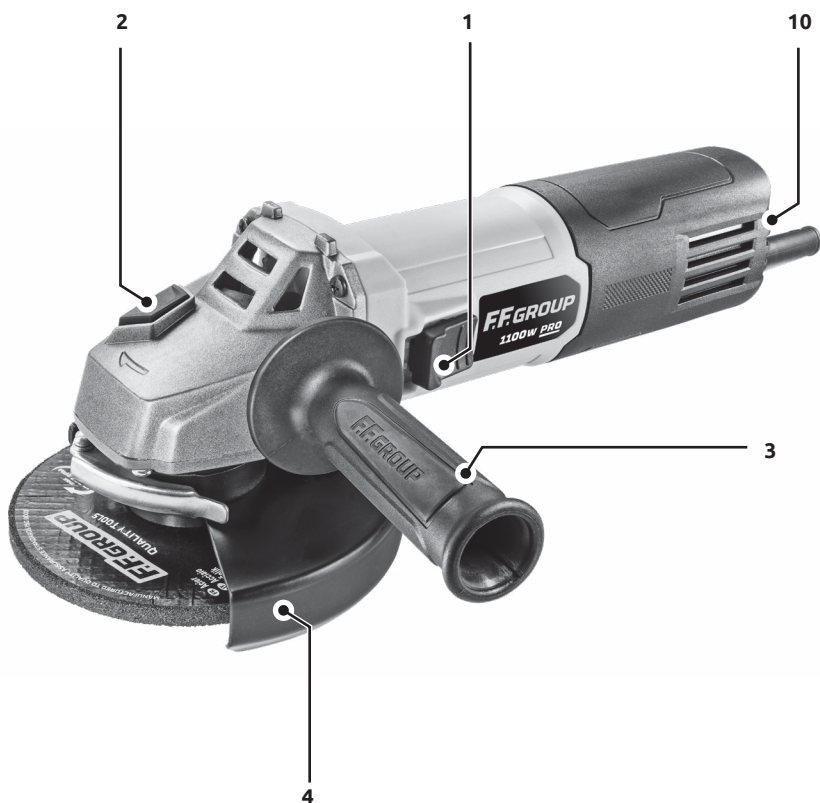
HU

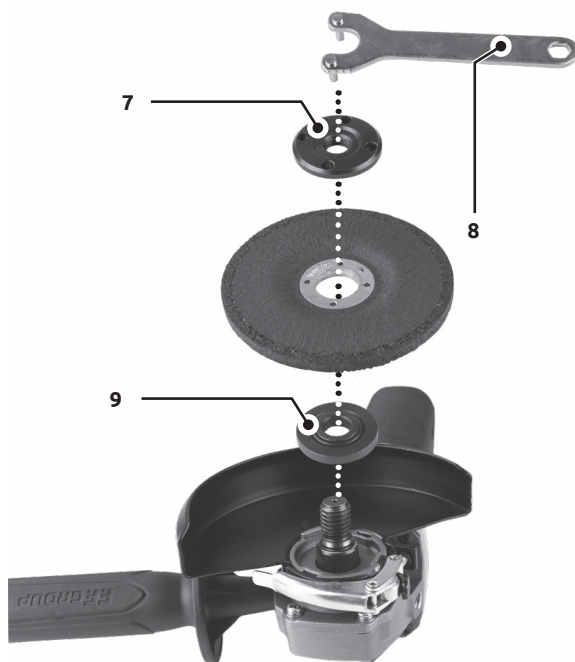
EREDETI UTASÍTÁSOK

LT

ORIGINALIOS INSTRUKCIJOS









<b>EXPLANATION OF SYMBOLS /</b> EXPLICATION DES SYMBOLES / SPIEGAZIONE DEI SIMBOLI / ΕΠΕΞΗΓΗΣΗ ΣΥΜΒΟΛΩΝ / OBJAŠNENJE SIMBOLA / OBJAŠNENJE SIMBOLA / EXPLICAREA SIMBOLURILOR / SZIMBÓLUMOK JELENTÉSE / ОБ'ЯСНЕНИЕ НА СИМВОЛИТЕ / SIMBOLIŲ PAAIŠKINIMAS		04
<b>EN</b>	ANGLE GRINDER	08
<b>FR</b>	MEULEUSE ANGULAIRE	12
<b>IT</b>	LEVIGATRICE ANGOLARE	18
<b>EL</b>	ΓΩΝΙΑΚΟΣ ΤΡΟΧΟΣ	23
<b>SR</b>	UGAONA BRUSILICA	29
<b>HR</b>	KUTNA BRUSILICA	34
<b>RO</b>	POLIZOR UNGHIULAR	39
<b>BG</b>	ЪГЛОШЛАЙФ	44
<b>HU</b>	SAROKCSISZOLÓ	50
<b>LT</b>	KAMPINIO ŠLIFAVIMO MAŠINA	55
<b>CE</b>		60





	ENGLISH	FRANÇAIS	ITALIANO	ΕΛΛΗΝΙΚΑ	SRPSKI
	EXPLANATION OF SYMBOLS	EXPLICATION DES SYMBOLES	SPIEGAZIONE DEI SIMBOLI	ΕΠΕΞΗΓΗΣΗ ΣΥΜΒΟΛΩΝ	OBJAŠNJENJE SIMBOLA
	Always read and understand the instructions before operating	Toujours lire et comprendre les instructions avant d'opérer	Leggere e comprendere sempre le istruzioni prima di operare	Διαβάστε και κατανοήστε τις οδηγίες χρήσης πάντα πριν από τη λειτουργία	Uvek pročitajte i razumejte uputstva pre rada
	Always wear appropriate protective breathing mask when operating	Portez toujours un masque respiratoire protecteur approprié lors de l'opération	Indossare sempre un'adeguata maschera protettiva durante il funzionamento	Να χρησιμοποιείτε πάντα κατάλληλη μάσκα αναπνοής κατά τη λειτουργία	Uvek nosite odgovarajuću zaštitnu masku za disanje prilikom rada
	Always wear appropriate eye and hearing protection when operating	Portez toujours une protection oculaire et auditive appropriée lors de l'utilisation	Indossare sempre protezioni adeguate per gli occhi e l'udito durante il funzionamento	Να χρησιμοποιείτε πάντα κατάλληλη προστασία ματιών και ακοής κατά τη λειτουργία	Uvek nosite odgovarajuću zaštitu za oči i sluh prilikom rada
	Always wear appropriate hand protection when operating	Portez toujours une protection appropriée pour les mains lors de l'exploitation	Indossare sempre la protezione della mano appropriata quando si opera	Να χρησιμοποιείτε πάντα κατάλληλη προστασία χεριών κατά τη λειτουργία	Uvek nosite odgovarajuću zaštitu ruku kada radila
	Important, danger, warning, or caution	Important, danger ou avertissement	Importante, pericolo o avviso	Σημαντικό, κίνδυνος ή προειδοποίηση	Važno, opasnost ili upozorenje
	Risk of electric shock	Risque de choc électrique	Rischio di scosse elettriche	Κίνδυνος ηλεκτροπληξίας	Rizik od električnog šoka
	Risk of damage. Keep people, animals or nearby property at least 15m away	Risque de dommages. Gardez les personnes, les animaux ou les propriétés à proximité à au moins 15 mètres	Rischio di danni. Tenere persone, animali o proprietà vicine ad almeno 15m di distanza	Κίνδυνος ζημιάς. Κρατήστε ανθρώπους, ζώα ή αντικείμενα αξίας τουλάχιστον 15m μακριά	Rizik od oštećenja. Držite ljude, životinje ili obližnju imovinu najmanje 15 metara dalje
	Wait until all rotating parts have completely stopped before touching them	Attendez que toutes les pièces en rotation soient complètement arrêtées avant de les toucher	Attendere che tutte le parti rotanti si siano completamente fermate prima di toccarle	Περιμένετε να ακινητοποιηθούν όλα τα περιστρεφόμενα μέρη πριν τα αγγίξετε	Sačekajte dok svi rotirajući delovi potpuno ne prestanu pre nego što ih dodirnete
	Remove unit from electric supply before cleaning, adjusting or maintaining	Retirer l'unité de l'alimentation électrique avant de nettoyer, ajuster ou entretenir	Rimuovere l'unità dall'alimentazione elettrica prima di pulire, regolare o mantenere	Αφαιρέστε τη μονάδα από την παροχή ηλεκτρικού ρεύματος πριν από τον καθαρισμό, τη ρύθμιση ή τη συντήρηση	Uklanjanje jedinice iz električnog snabdevanja pre čišćenja, prilagođavanja ili održavanja

HRVATSKI	ROMÂNĂ	БЪЛГАРСКИ	MAGYAR	LIETUVIŲ K.
OBJAŠNJENJE SIMBOLA	EXPLICAREA SIMBOLURILOR	ОБЈАСНЕНИЕ НА СИМВОЛИТЕ	SZIMBÓLUMOK JELENTÉSE	SIMBOLIŲ PAAIŠKINIMAS
Uvijek pročitajte i shvatite upute prije operacije	Citiți și înțelegeți întotdeauna instrucțiunile înainte de a utiliza	Винаги четете и разбирайте инструкциите преди работа	Használat előtt mindig olvassa el és érte meg az utasításokat	Prieš pradėdami dirbti, visada perskaitykite ir supraskite instrukcijas
Prilikom rada uvijek nosite odgovarajuću zaštitnu masku za disanje	Purtați întotdeauna o mască de respirație de protecție adecvată în timpul	Винаги носете подходяща предпазна маска за дишане, когато	Munka közben mindig viseljen megfelelő légzőmaszkot	Dirbdami visada dėvėkite tinkamą apsauginę kvėpavimo kaukę
Tijekom rada uvijek nosite odgovarajuću zaštitu za oči i sluh	Purtați întotdeauna protecție adecvată pentru ochi și auz atunci când operați	Винаги носете подходяща защита за очите и слуха, когато работите	Munka közben mindig viseljen megfelelő szem- és hallásvédőt	Dirbdami visada dėvėkite tinkamas akių ir klausos apsaugos priemonės
Prilikom rada uvijek nosite odgovarajuću zaštitu ruku	Purtați întotdeauna o protecție adecvată a mâinii în timpul funcționării	Винаги носете подходяща защита за ръцете при работа	Munka közben mindig viseljen megfelelő kézvédőt	Dirbdami visada dėvėkite tinkamą rankų apsaugą
Važno, opasnost ili upozorenje	Important, pericol sau avertisment	Важно, опасност или Предупреждение	Fontos, veszély, figyelmeztetés vagy óvatosság	Svarbu, pavojus, įspėjimas ar atsargumas
Rizik od strujnog udara	Risc de electrocutare	Опасност от токов удар	Áramütés veszélye	Elektros smūgio rizika
Rizik od oštećenja. Držite ljude, životinje ili obližnje imanje na udaljenosti od najmanje 15m	Risc de deteriorare. Țineți oamenii, animalele sau bunurile din apropiere la cel puțin 15m distanță	Риск от повреда. Дръжте хора, животни или близки имоти на най-малко 15 метра разстояние	Károsodás veszélye. Tartsa az embereket, állatokat vagy a közeli ingatlant legalább 15m távolságra	Žalos rizika. Laikykite žmones, gyvūnus ar netoliese esantį turį bent už 15 m atstumą
Pričekajte da se svi rotirajući dijelovi potpuno zaustave prije nego što ih dodirnete	Așteptați până când toate părțile rotative s-au oprit complet înainte de a le atinge	Издачайте, докато всички въртящи се части спрат напълно, преди да ги докоснете	Várja meg, amíg az összes forgó alkatrész teljesen leáll, mielőtt megérinti őket	Palaukite, kol visos besisukančios dalys visiškai sustos, prieš paliesdami jas
Uklonite jedinicu iz električnog napajanja prije čišćenja, podešavanja ili održavanja	Scoateți unitatea de alimentare electrică înainte de curățare, reglare sau întreținere	Издадете уреда от електрическото захранване преди почистване, регулиране или поддръжка	Tisztítás, beállítás vagy karbantartás előtt távolítsa el az egységet az elektromos hálózatról	Prieš valydami, reguliuodami ar prižiūradami, išimkite įrenginį iš elektros tiekimo

	ENGLISH	FRANÇAIS	ITALIANO	ΕΛΛΗΝΙΚΑ	SRPSKI
	EXPLANATION OF SYMBOLS	EXPLICATION DES SYMBOLES	SPIEGAZIONE DEI SIMBOLI	ΕΠΕΞΗΓΗΣΗ ΣΥΜΒΟΛΩΝ	OBJAŠNJENJE SIMBOLA
	Inspect the power cord regularly for damage. Remove the plug from the mains immediately if the cable is damaged or cut	Vérifiez régulièrement que le cordon d'alimentation afin de vous assurer qu'il ne soit pas endommagé. Débranchez immédiatement la prise si le câble est endommagé ou coupé	Ispezionare regolarmente il cavo di alimentazione per eventuali danni. Rimuovere immediatamente la spina dall'alimentazione se il cavo è danneggiato o tagliato	Επιθεωρείτε συχνά το καλώδιο για φθορές. Αφαιρέστε το καλώδιο από την παροχή ρεύματος σε περίπτωση που έχει υποστεί σοβαρές φθορές ή έχει κοπεί	Redovno pregledavajte kabl za napajanje na oštećenje. Odmah izvadite utikač iz utičnice ako je kabl oštećen ili prerezan
	Never wear accessories or loose clothing and always tie up your hair	Ne portez jamais d'accessoires ou de vêtements amples et attachez toujours vos cheveux	Non indossare mai accessori o abiti larghi e legare sempre i capelli	Ποτέ μην φοράτε αξεσουάρ ή χαλαρή εφαρμογή ρουχισμού και δένετε πάντα τα μαλλιά σας	Nikada ne nosite pribor ili labavu odeću i uvek vežite kosu
	Do not use chipped, cracked or defective attachment	Ne pas utiliser d'accessoire ébréché, fissuré ou défectueux	Non utilizzare accessori scheggiati, incrinati o difettosi	Μην χρησιμοποιείτε εξάρτημα σπασμένο, με ρωγμές ή ελαττώματα	Ne koristite čipovani, napukli ili neispravan prilog
	Keep hands and feet clear of rotating parts	Gardez les mains et les pieds éloignés des pièces en rotation	Tenere mani e piedi lontani dalle parti rotanti	Διατηρείτε τα χέρια και τα πόδια σας μακριά από τα περιστρεφόμενα μέρη	Drži ruke i noge dalje od rotirajućih delova
	For indoor use only. Do not expose to rain	À usage intérieur uniquement. Ne pas exposer à la pluie	Esclusivamente per uso in ambienti interni. Non esporre a pioggia	Για εσωτερική χρήση μόνο. Μην εκθέτετε στη βροχή	Samo za korišćenje u zatvorenom prostoru. Nemojte izlagati kiši
	Complies with applicable safety directives and relative standards	Conforme aux directives de sécurité applicables et aux normes relatives	Conforme alle direttive di sicurezza applicabili e alle relative norme	Συμμορφώνεται με τις ισχύουσες οδηγίες ασφαλείας και τα σχετικά πρότυπα	U skladu sa važećim bezbednosnim direktivama i relativnim standardima
	Double insulation	Double insulation	Doppio isolamento	Διπλή μόνωση	Dvostruka izolacija
	Must be recycled and should always be disposed in accordance with applicable directives	Doit être recyclé et doit toujours être éliminé conformément aux directives applicables	Deve essere riciclato e deve essere sempre smaltito secondo le direttive applicabili	Πρέπει να ανακυκλώνεται και πρέπει πάντα να απορρίπτεται σύμφωνα με τις ισχύουσες οδηγίες	Mora se reciklirati i uvek ga treba raspolagati u skladu sa važećim direktivama

HRVATSKI	ROMÂNĂ	БЪЛГАРСКИ	MAGYAR	LIETUVIŲ K.
OBJAŠNJENJE SIMBOLA	EXPLICAREA SIMBOLURILOR	ОБЯСНЕНИЕ НА СИМВОЛИТЕ	SZIMBÓLUMOK JELENTÉSE	SIMBOLIŲ PAAIŠKINIMAS
Redovito provjeravajte je li kabel za napajanje oštećen. Odmah izvucite utikač iz napajanja ako je kabel oštećen ili prerezan	Inspectați în mod regulat cablul de alimentare să nu prezinte deteriorări. Scoateți imediat ștecherul din priză de rețea, în cazul în care cablul este deteriorat sau tăiat	Редовно проверявайте захранващия кабел за повреди. Незабавно изключвайте щепсела от мрежата, ако кабелът е повреден или срязан	Rendszeresen ellenőrizze a tápkábelt, hogy nem sérült-e. Azonnal húzza ki a dugót a konnektorból, ha a kábel megsérül vagy elvágódott	Reguliariai tikrinkite maitinimo laidą, ar nėra pažeidimų. Nedelsdami nuimkite kištuką nuo elektros tinklo, jei kabelis pažeistas arba supjaustytas
Nikada ne nosite dodatke ili široku odjeću i uvijek vežite kosu	Nu purtați niciodată accesorii sau haine largi și legați-vă întotdeauna părul	Никога не носете аксесоари или широки дрехи и винаги връзвайте косата си	Soha ne viseljen kiegészítőket vagy bő ruhát, és mindig kösse fel a haját	Niekada nedėvėkite aksesuarų ar laisvų drabužių ir visada suriškite plaukus
Nemojte koristiti okrhnut, napuknut ili neispravan nastavak	Nu utilizați atașamente ciobite, crăpate sau defecte	Не използвайте счупена, напукана или дефектна приставка	Ne használjon töredett, repedt vagy hibás tartozékot	Nenaudokite suskilusio, įtrūkusio ar sugedusio tvirtinimo elemento
Držite ruke i noge dalje od rotirajućih dijelova	Țineți mâinile și picioarele departe de părțile rotative	Дръжте ръцете и краката далеч от въртящи се части	Kezét és lábát tartsa távol a forgó alkatrészekről	Rankas ir kojas laikykite toliau nuo besisukančių dalių
Samo za korištenje u zatvorenom prostoru. Ne izlagati kiši	Doar pentru utilizare în spații închise. Nu expuneți la ploaie	Само за използване на закрито. Да не се излага на дъжд	Csak beltéri használatra. Ne tegye ki esőnek	Naudoti tik patalpose. Nelaikykite lietaus
U skladu s primjenjivim sigurnosnim direktivama i relativnim standardima	Respectă directivele de siguranță aplicabile și standardele aferente	Съответства на приложимите директиви за безопасност и съответните стандарти	Megfelel a vonatkozó biztonsági irányelveknek és a vonatkozó szabványoknak	Atitinka taikomas saugos direktyvas ir santykinis standartus
Dvostruka izolacija	Izolație dublă	Двойна изолация	Dupla szigetelés	Dviguba izoliacija
Mora se reciklirati i uvijek zbrinuti u skladu s važećim direktivama	Trebuie reciclat și trebuie întotdeauna eliminat în conformitate cu directivele aplicabile	Трябва да се рециклира и винаги да се изхвърля в съответствие с приложимите директиви	Újrahasznosítani kell, és mindig a vonatkozó irányelveknek megfelelően kell ártalmatlanítani	Turi būti perdirbtas ir visada turi būti šalinamas pagal taikomas direktyvas

## ENGLISH

### GENERAL POWER TOOL SAFETY WARNINGS

**WARNING!** Read all safety warnings and all instructions. Failure to follow the warnings and instructions may result in electric shock, fire and/or serious injury. Save all warnings and instructions for future reference. The term “power tool” in the warnings refers to your mains-operated (corded) power tool or battery-operated (cordless) power tool.

#### WORK AREA

- ▶ Keep work area clean and well lit. Cluttered or dark areas invite accidents.
- ▶ Do not operate power tools in explosive atmospheres, such as in the presence of flammable liquids, gases or dust. Power tools create sparks which may ignite the dust or fumes.
- ▶ Keep children and bystanders away while operating a power tool. Distractions can cause you to lose control.

#### ELECTRICAL SAFETY

- ▶ Power tool plugs must match the outlet. Never modify the plug in any way. Do not use any adapter plugs with earthed (grounded) power tools. Unmodified plugs and matching outlets will reduce risk of electric shock.
- ▶ Avoid body contact with earthed or grounded surfaces, such as pipes, radiators, ranges and refrigerators. There is an increased risk of electric shock if your body is earthed or grounded.
- ▶ Do not expose power tools to rain or wet conditions. Water entering a power tool will increase the risk of electric shock.
- ▶ Do not abuse the cord. Never use the cord for carrying, pulling or unplugging the power tool. Keep cord away from heat, oil, sharp edges and moving parts. Damaged or entangled cords increase the risk of electric shock.
- ▶ When operating a power tool outdoors, use an extension cord suitable for outdoor use. Use of a cord suitable for outdoor use reduces the risk of electric shock.
- ▶ If operating a power tool in a damp location is unavoidable, use a residual current device (RCD) protected supply. Use of an RCD reduces the risk of electric shock.

#### PERSONAL SAFETY

- ▶ Stay alert, watch what you are doing and use common sense when operating a power tool. Do not use a power tool while you are tired or under the influence of drugs, alcohol or medication. A moment of inattention while operating power tools may result in serious personal injury.
- ▶ Use personal protective equipment. Always wear eye protection. Protective equipment such as dust mask, non-skid safety shoes, hard hat, or hearing protection used for appropriate conditions will reduce personal injuries.
- ▶ Prevent unintentional starting. Ensure the switch is in the off-position before connecting to power source, picking up or carrying the tool. Carrying

power tools with your finger on the switch or energizing power tools that have the switch on invites accidents.

- ▶ Remove any adjusting key or wrench before turning the power tool on. A wrench or a key left attached to a rotating part of the power tool may result in personal injury.
- ▶ Do not overreach. Keep proper footing and balance at all times. This enables better control of the power tool in unexpected situations.
- ▶ Dress properly. Do not wear loose clothing or jewelry. Keep your hair, clothing and gloves away from moving parts. Loose clothes, jewelry or long hair can be caught in moving parts.

#### POWER TOOL USE AND CARE

- ▶ Do not force the power tool. Use the correct power tool for your application. The correct power tool will do the job better and safer at the rate for which it was designed.
- ▶ Do not use the power tool if the switch does not turn it on and off. Any power tool that cannot be controlled with the switch is dangerous and must be repaired.
- ▶ Disconnect the plug from the power source from the power tool before making any adjustments, changing accessories, or storing power tools. Such preventive safety measures reduce the risk of starting the power tool accidentally.
- ▶ Store idle power tools out of the reach of children and do not allow persons unfamiliar with the power tool or these instructions to operate the power tool. Power tools are dangerous in the hands of untrained users.
- ▶ Maintain power tools. Check for misalignment or binding of moving parts, breakage of parts and any other condition that may affect the power tool's operation. If damaged, have the power tool repaired before use. Many accidents are caused by poorly maintained power tools.
- ▶ Keep cutting tools sharp and clean. Properly maintained cutting tools with sharp cutting edges are less likely to bind and are easier to control.
- ▶ Use the power tool, accessories and tool bits etc. in accordance with these instructions, taking into account the working conditions and the work to be performed. Use of the power tool for operations different from those intended could result in a hazardous situation.

#### SERVICE

Have your power tool serviced by an authorized service and use only original spare parts. This will ensure that the safety of the power tool is maintained.

#### SAFETY WARNINGS FOR ANGLE GRINDER

#### SAFETY WARNINGS COMMON FOR GRINDING, SANDING, WIRE BRUSHING OR ABRASIVE CUTTING OFF OPERATIONS

- ▶ This power tool is intended to function as a grinder, sander, wire brush or cut-off tool. Read all safety warnings, instructions, illustrations and specifications provided with this power tool. Failure to follow all instructions listed below may result in



electric shock, fire and/or serious injury.

- ▶ Operations such as polishing are not recommended to be performed with this power tool. Operations for which the power tool was not designed may create a hazard and cause personal injury.
- ▶ Do not use accessories which are not specifically designed and recommended by the tool manufacturer. Just because the accessory can be attached to your power tool, it does not assure safe operation.
- ▶ The rated speed of the accessory must be at least equal to the maximum speed marked on the power tool. Accessories running faster than their rated speed can break and fly apart.
- ▶ The outside diameter and the thickness of your accessory must be within the capacity rating of your power tool. Incorrectly sized accessories cannot be adequately guarded or controlled.
- ▶ Threaded mounting of accessories must match the grinder spindle thread. For accessories mounted by flanges, the arbour hole of the accessory must fit the locating diameter of the flange. Accessories that do not match the mounting hardware of the power tool will run out of balance, vibrate excessively and may cause loss of control.
- ▶ Do not use a damaged accessory. Before each use inspect the accessory such as abrasive wheels for chips and cracks, backing pad for cracks, tear or excess wear, wire brush for loose or cracked wires. If power tool or accessory is dropped, inspect for damage or install an undamaged accessory. After inspecting and installing an accessory, position yourself and bystanders away from the plane of the rotating accessory and run the power tool at maximum no-load speed for one minute. Damaged accessories will normally break apart during this test time.
- ▶ Wear personal protective equipment. Depending on application, use face shield, safety goggles or safety glasses. As appropriate, wear dust mask, hearing protectors, gloves and workshop apron capable of stopping small abrasive or workpiece fragments. The eye protection must be capable of stopping flying debris generated by various operations. The dust mask or respirator must be capable of filtering particles generated by your operation. Prolonged exposure to high intensity noise may cause hearing loss.
- ▶ Keep bystanders a safe distance away from work area. Anyone entering the work area must wear personal protective equipment. Fragments of workpiece or of a broken accessory may fly away and cause injury beyond immediate area of operation.
- ▶ Hold the power tool by insulated gripping surfaces only, when performing an operation where the cutting accessory may contact hidden wiring or its own cord. Cutting accessory contacting a "live" wire may make exposed metal parts of the power tool "live" and could give the operator an electric shock.
- ▶ Position the cord clear of the spinning accessory. If you lose control, the cord may be cut or snagged and your hand or arm may be pulled into the spinning wheel.
- ▶ Never lay the power tool down until the accessory has come to a complete stop. The spinning wheel may grab the surface and pull the power tool out of your control.
- ▶ Do not run the power tool while carrying it at your side. Accidental contact with the spinning accessory could snag your clothing, pulling the accessory into your body.
- ▶ Regularly clean the power tool's air vents. The motor's fan will draw the dust inside the housing and excessive accumulation of powdered metal may cause electrical hazards.
- ▶ Do not operate the power tool near flammable materials. Sparks could ignite these materials.
- ▶ Do not use accessories that require liquid coolants. Using water or other liquid coolants may result in electrocution or shock.

### KICKBACK AND RELATED WARNINGS

Kickback is a sudden reaction to a pinched or snagged rotating wheel, backing pad, brush or any other accessory. Pinching or snagging causes rapid stalling of the rotating accessory which in turn causes the uncontrolled power tool to be forced in the direction opposite of the accessory's rotation at the point of the binding. For example, if an abrasive wheel is snagged or pinched by the workpiece, the edge of the wheel that is entering into the pinch point can dig into the surface of the material causing the wheel to climb out or kick out. The wheel may either jump toward or away from the operator, depending on direction of the wheel's movement at the point of pinching. Abrasive wheels may also break under these conditions. Kickback is the result of power tool misuse and/or incorrect operating procedures or conditions and can be avoided by taking proper precautions as given below.

- ▶ Maintain a firm grip on the power tool and position your body and arm to allow you to resist kickback forces. Always use auxiliary handle, if provided, for maximum control over kickback or torque reaction during start-up. The operator can control torque reactions or kickback forces, if proper precautions are taken.
- ▶ Never place your hand near the rotating accessory. Accessory may kickback over your hand.
- ▶ Do not position your body in the area where power tool will move if kickback occurs. Kickback will propel the tool in direction opposite to the wheel's movement at the point of snagging.
- ▶ Use special care when working corners, sharp edges, etc. Avoid bouncing and snagging the accessory. Corners, sharp edges or bouncing have a tendency to snag the rotating accessory and cause loss of control or kickback.
- ▶ Do not attach a saw chain woodcarving blade or toothed saw blade. Such blades create frequent kickback and loss of control.

### SAFETY WARNINGS SPECIFIC FOR GRINDING AND ABRASIVE CUTTING OFF OPERATIONS

- ▶ Use only wheel types that are recommended for your power tool and the specific guard designed for the selected wheel. Wheels for which the power tool was not designed cannot be adequately

guarded and are unsafe.

- ▶ The grinding surface of the center depressed wheels must be mounted below the plane of the guard lip. An improperly mounted wheel that projects through the plane of the guard lip cannot be adequately protected.
- ▶ The guard must be securely attached to the power tool and positioned for maximum safety, so the least amount of wheel is exposed towards the operator. The guard helps to protect operator from broken wheel fragments, accidental contact with wheel and sparks that could ignite clothing.
- ▶ Wheels must be used only for recommended applications. For example: do not grind with the side of the cut-off wheel. Abrasive cut-off wheels are intended for peripheral grinding; side forces applied to these wheels may cause them to shatter.
- ▶ Always use undamaged wheel flanges that are of correct size and shape for your selected wheel. Proper wheel flanges support the wheel thus reducing the possibility of wheel breakage. Flanges for cut-off wheels may be different from grinding wheel flanges.
- ▶ Do not use worn down reinforced wheels from larger power tools. Wheels intended for larger power tools are not suitable for the higher speed of a smaller tool and may burst.

#### **ADDITIONAL SAFETY WARNINGS SPECIFIC FOR ABRASIVE CUTTING OFF OPERATIONS**

- ▶ Do not "jam" the cut-off wheel or apply excessive pressure. Do not attempt to make an excessive depth of cut. Overstressing the wheel increases the loading and susceptibility to twisting or binding of the wheel in the cut and the possibility of kickback or wheel breakage.
- ▶ Do not position your body in line with and behind the rotating wheel. When the wheel, at the point of operation, is moving away from your body, the possible kickback may propel the spinning wheel and the power tool directly at you.
- ▶ When wheel is binding or when interrupting a cut for any reason, switch off the power tool and hold the power tool motionless until the wheel comes to a complete stop. Never attempt to remove the cut-off wheel from the cut while the wheel is in motion otherwise kickback may occur. Investigate and take corrective action to eliminate the cause of wheel binding.
- ▶ Do not restart the cutting operation in the workpiece. Let the wheel reach full speed and carefully re-enter the cut. The wheel may bind, walk up or kickback if the power tool is restarted in the workpiece.
- ▶ Support panels or any oversized workpiece to minimize the risk of wheel pinching and kickback. Large workpieces tend to sag under their own weight. Supports must be placed under the workpiece near the line of cut and near the edge of the workpiece on both sides of the wheel.
- ▶ Use extra caution when making a "pocket cut" into existing walls or other blind areas. The protruding wheel may cut gas or water pipes, electrical wiring or objects that can cause kickback.

#### **SAFETY WARNINGS SPECIFIC FOR SANDING OPERATIONS**

Do not use excessively oversized sanding disc paper. Follow manufacturers recommendations, when selecting sanding paper. Larger sanding paper extending beyond the sanding pad presents a laceration hazard and may cause snagging, tearing of the disc, or kickback.

#### **SAFETY WARNINGS SPECIFIC FOR WIRE BRUSHING OPERATIONS**

- ▶ Be aware that wire bristles are thrown by the brush even during ordinary operation. Do not overstress the wires by applying excessive load to the brush. The wire bristles can easily penetrate light clothing and/or skin.
- ▶ If the use of a guard is recommended for wire brushing, do not allow any interference of the wire wheel or brush with the guard. Wire wheel or brush may expand in diameter due to work load and centrifugal forces.

#### **ADDITIONAL SAFETY WARNINGS**

- ▶ Wear safety goggles.
- ▶ Use suitable detectors to determine if utility lines are hidden in the work area or call the local utility company for assistance. Contact with electric lines can lead to fire and electric shock. Damaging a gas line can lead to explosion. Penetrating a water line causes property damage or may cause an electric shock.
- ▶ Do not touch grinding and cutting discs before they have cooled down. The discs can become very hot while working.
- ▶ Release the On/Off switch and set it to the off position when the power supply is interrupted, e. g., in case of a power failure or when the mains plug is pulled. This prevents uncontrolled restarting.
- ▶ Secure the workpiece. A workpiece clamped with clamping devices or in a vice is held more secure than by hand.

#### **CONNECTION TO THE POWER SUPPLY**

Make sure the power supply information on the machine's rating plate are compatible with the power supply you intend to connect it to. This appliance is Class II and is designed for connection to a power supply matching that detailed on the rating label and compatible with the plug fitted. If an extension lead is required, use an approved and compatible lead rated for this appliance. Follow all the instruction supplied with the extension lead.

#### **GUIDELINES FOR USING EXTENSION CORDS**

- ▶ Make sure your extension cord is in good condition. When using an extension cord, be sure to use one heavy enough to carry the current your product will draw. An undersized cord will cause a drop in line voltage resulting in loss of power and overheating.
- ▶ Always replace a damaged extension cord or have it repaired by a qualified person before using it.
- ▶ Protect your extension cords from sharp objects, excessive heat and damp/wet areas.

- ▶ Use a separate electrical circuit for your tools. This circuit should be protected with the appropriate time-delayed fuse. Before connecting the motor to the power line, make sure the switch is in the OFF position and the electric voltage is rated the same as the voltage stamped on the motor nameplate. Running at a lower voltage will damage the motor.

## PRODUCT SPECIFICATIONS

### INTENDED USE

The machine is intended for cutting, roughing and brushing of metal and stone materials without the use of water.

TECHNICAL DATA			
Article number		44 826	44 827
Model AG 125/PRO		1100E	1200EC
Rated voltage	V	220-240	
	Hz	50/60	
Rated power input	W	1.100	1.200
Rated speed	min <sup>-1</sup>	4.000-	4.000-
		12.200	12.200
Grinding disc diameter, max.	mm	125	
Thread of grinder spindle		M14	
Weight	kg	2,0	2,1
Sound emission values determined according to EN 60745-1, EN 60745-2-3			
Typically the A-weighted noise levels of the product are:			
Sound pressure level	dB(A)	90,2	
Sound power level	dB(A)	101,2	
Uncertainty K	dB	3	
Vibration total values a <sub>v</sub> (triax vector sum) and uncertainty K determined according to EN 60745-1, EN 60745-2-3			
Vibration level max:			
a <sub>h,AG</sub>	m/s <sup>2</sup>	9,063	
K	m/s <sup>2</sup>	1,5	

### NOISE/VIBRATION INFORMATION

The vibration level given in this information sheet has been measured in accordance with a standardized test given in EN 60745 and may be used to compare one tool with another. It may be used for a preliminary assessment of exposure. The declared vibration emission level represents the main applications of the tool. However if the tool is used for different applications, with different accessories or insertion tools or is poorly maintained, the vibration emission may differ. This may significantly increase the exposure level over the total working period. An estimation of the level of exposure to vibration

should also take into account the times when the tool is switched off or when it is running but not actually doing the job. This may significantly reduce the exposure level over the total working period. Identify additional safety measures to protect the operator from the effects of vibration such as: maintain the tool and the accessories, keep the hands warm, organization of work patterns.

### IDENTIFICATION

1. On/Off switch
2. Spindle lock button
3. Auxiliary handle
4. Protective guard
5. Release lever for protection guard
6. Spindle
7. Clamping flange
8. Spanner
9. Mounting flange
10. Speed Preselection thumbwheel

### USE

#### MOUNTING OF ACCESSORIES (E)

- ▶ Clean spindle (6) and all parts to be mounted.
- ▶ Tighten clamping flange (7) with spanner (8) while pushing spindle-lock button (2).
- ▶ For removing accessories handle vice-versa.

#### MOUNTING OF AUXILIARY HANDLE (C)

Screw the auxiliary handle (3) on the right or left of the machine head depending on the working method.

#### REMOVING / MOUNTING / ADJUSTING OF PROTECTIVE GUARD (B)

- ▶ Open the guard by releasing the lever (5)
- ▶ Place protective guard (4) on the spindle collar and turn it to the required position (depending on the work to be carried out).
- ▶ Adjust protective guard (4) by pushing the lever (5).

#### BEFORE USING THE TOOL

- ▶ Ensure that accessory is correctly mounted and firmly tightened.
- ▶ Check if accessory runs freely by turning it by hand.
- ▶ Test-run tool for at least 60 seconds at highest no-load speed in a safe position.
- ▶ Stop immediately in case of considerable vibration or other defects and check tool to determine the cause.

#### SWITCHING ON AND OFF (D)

- ▶ To start the power tool, push the on/off switch (1) forward.
- ▶ To lock the on/off switch (1) in position, push the on/off switch (1) forward and down until it clicks into place.
- ▶ To switch off the power tool, release the on/off switch (1); or, if the switch is locked, briefly push the on/off switch (1) backward and down and then release it.

## SPEED PRESELECTION

You can preselect the required speed using the speed preselection thumbwheel **(10)**, even during operation.

## ROUGH GRINDING

The best roughing results are achieved when setting the machine at an angle of 30° to 40°. Move the machine back and forth with moderate pressure. In this manner, the workpiece will not become too hot, does not discolor and no grooves are formed.

## CUTTING

- ▶ Do not tilt the tool while cutting.
- ▶ Always move the tool in same direction as arrow on tool head, in order to prevent the tool from being pushed out of the cut in an uncontrolled manner.
- ▶ Do not apply pressure on the tool; let the speed of the cutting disc do the work.
- ▶ The working speed of the cutting disc depends on the material to be cut.
- ▶ Do not brake cutting discs with side pressure.

## MAINTENANCE

Regular inspection and cleaning reduces the necessity for maintenance operations and will keep your tool in good working condition. The motor must be correctly ventilated during tool operation. For this reason avoid blocking the air inlets.

## ENVIRONMENTAL PROTECTION

Recycle raw materials instead of disposing as waste. Machine, accessories and packaging should be sorted for environment - friendly recycling. The plastic components are labeled for categorized recycling.

## WARRANTY

This product is warranted in accordance with the legal/country specific regulations, effective from the date of purchase by the first user. Damage attributable to normal wear and tear, overload or improper handling will be excluded from the guarantee. In case of a claim, please send the machine, completely assembled, to your dealer or the service Centre for electric power tools.

## FRANÇAIS

## AVERTISSEMENTS DE SÉCURITÉ GÉNÉRAUX POUR L'OUTIL

**AVERTISSEMENT!** Lire tous les avertissements de sécurité et toutes les instructions. Ne pas suivre les avertissements et instructions peut donner lieu à un choc électrique, un incendie et/ou une blessure sérieuse.

Conserver tous les avertissements et toutes les instructions pour pouvoir s'y reporter ultérieurement. Le terme «outil» dans les avertissements fait référence à votre outil électrique alimenté par le secteur (avec cordon d'alimentation) ou votre outil fonctionnant sur batterie (sans cordon d'alimentation).

## SÉCURITÉ DE LA ZONE DE TRAVAIL

- ▶ Conserver la zone de travail propre et bien éclairée. Les zones en désordre ou sombres sont propices aux accidents.
- ▶ Ne pas faire fonctionner les outils électriques en atmosphère explosive, par exemple en présence de liquides inflammables, de gaz ou de poussières. Les outils électriques produisent des étincelles qui peuvent enflammer les poussières ou les fumées.
- ▶ Maintenir les enfants et les personnes présentes à l'écart pendant l'utilisation de l'outil. Les distractions peuvent vous faire perdre le contrôle de l'outil.

## SÉCURITÉ ÉLECTRIQUE

- ▶ Il faut que les fiches de l'outil électrique soient adaptées au socle. Ne jamais modifier la fiche de quelque façon que ce soit. Ne pas utiliser d'adaptateurs avec des outils à branchement de terre. Des fiches non modifiées et des socles adaptés réduiront le risque de choc électrique.
- ▶ Éviter tout contact du corps avec des surfaces reliées à la terre telles que les tuyaux, les radiateurs, les cuisinières et les réfrigérateurs. Il existe un risque accru de choc électrique si votre corps est relié à la terre.
- ▶ Ne pas exposer les outils à la pluie ou à des conditions humides. La pénétration d'eau à l'intérieur d'un outil augmentera le risque de choc électrique.
- ▶ Ne pas maltraiter le cordon. Ne jamais utiliser le cordon pour porter, tirer ou débrancher l'outil. Maintenir le cordon à l'écart de la chaleur, du lubrifiant, des arêtes ou des parties en mouvement. Les cordons endommagés ou emmêlés augmentent le risque de choc électrique.
- ▶ Lorsqu'on utilise un outil à l'extérieur, utiliser un prolongateur adapté à l'utilisation extérieure. L'utilisation d'un cordon adapté à l'utilisation extérieure réduit le risque de choc électrique.
- ▶ Si l'usage d'un outil dans un emplacement humide est inévitable, utiliser une alimentation protégée par un dispositif à courant différentiel résiduel (RCD). L'usage d'un RCD réduit le risque de choc électrique.

## SÉCURITÉ DES PERSONNES

- ▶ Rester vigilant, regarder ce que vous êtes en train de faire et faire preuve de bon sens dans l'utilisation de l'outil. Ne pas utiliser un outil lorsque vous êtes fatigué ou sous l'emprise de drogues, d'alcool ou de médicaments. Un moment d'inattention en cours d'utilisation d'un outil peut entraîner des blessures graves des personnes.
- ▶ Utiliser un équipement de sécurité. Toujours porter une protection pour les yeux. Les équipements de sécurité tels que les masques contre les poussières, les chaussures de sécurité antidérapantes, les casques ou les protections acoustiques utilisés pour les conditions appropriées réduiront les blessures des personnes.
- ▶ Éviter tout démarrage intempestif. S'assurer que l'interrupteur est en position arrêté avant de brancher l'outil au secteur et/ou au bloc de batteries, de le ramasser ou de le porter. Porter les outils en ayant le doigt sur l'interrupteur ou brancher des outils dont l'interrupteur est en position marche est source d'accidents.
- ▶ Retirer toute clé de réglage avant de mettre l'outil en marche. Une clé laissée fixée sur une partie tournante de l'outil peut donner lieu à des blessures de personnes.
- ▶ Ne pas se précipiter. Garder une position et un équilibre adaptés à tout moment. Cela permet un meilleur contrôle de l'outil dans des situations inattendues.
- ▶ S'habiller de manière adaptée. Ne pas porter de vêtements amples ou de bijoux. Garder les cheveux, les vêtements et les gants à distance des parties en mouvement. Des vêtements amples, des bijoux ou les cheveux longs peuvent être pris dans des parties en mouvement.

## UTILISATION ET ENTRETIEN DE L'OUTIL

- ▶ Ne pas forcer l'outil. Utiliser l'outil adapté à votre application. L'outil adapté réalisera mieux le travail et de manière plus sûre au régime pour lequel il a été construit.
- ▶ Ne pas utiliser l'outil si l'interrupteur ne permet pas de passer de l'état de marche à arrêté et vice versa. Tout outil qui ne peut pas être commandé par l'interrupteur est dangereux et il faut le faire réparer.
- ▶ Débrancher la fiche de la source d'alimentation en courant et/ou le bloc de batteries de l'outil avant tout réglage, changement d'accessoires ou avant de ranger l'outil. De telles mesures de sécurité préventives réduisent le risque de démarrage accidentel de l'outil.
- ▶ Conserver les outils à l'arrêt hors de la portée des enfants et ne pas permettre à des personnes ne connaissant pas l'outil ou les présentes instructions de le faire fonctionner. Les outils sont dangereux entre les mains d'utilisateurs novices.
- ▶ Observer la maintenance de l'outil. Vérifier qu'il n'y a pas de mauvais alignement ou de blocage des parties mobiles, des pièces cassées ou toute autre condition pouvant affecter le fonctionnement de l'outil. En cas de dommages, faire réparer l'outil avant de l'utiliser. De nombreux accidents sont dus à des outils mal entretenus.

- ▶ Garder affûtés et propres les outils permettant de couper. Des outils destinés à couper correctement entretenus avec des pièces coupantes tranchantes sont moins susceptibles de bloquer et sont plus faciles à contrôler.
- ▶ Utiliser l'outil, les accessoires et les lames etc., conformément à ces instructions, en tenant compte des conditions de travail et du travail à réaliser. L'utilisation de l'outil pour des opérations différentes de celles prévues

## MAINTENANCE ET ENTRETIEN

Faire entretenir l'outil par un réparateur qualifié utilisant uniquement des pièces de rechange identiques. Cela assurera que la sécurité de l'outil est maintenue.

## INSTRUCTIONS DE SÉCURITÉ POUR MEULEUSES ANGULAIRES

### AVERTISSEMENTS DE SÉCURITÉ COMMUNS POUR LES OPÉRATIONS DE MEULAGE, DE PONÇAGE, DE BROSSAGE MÉTALLIQUE OU DE TRONÇONNAGE PAR MEULE ABRASIVE

- ▶ Cet outil électrique est destiné à fonctionner comme meuleuse, ponceuse, brosse métallique ou outil à tronçonner. Lire toutes les mises en garde de sécurité, les instructions, les illustrations et les spécifications fournies avec cet outil électrique. Le fait de ne pas suivre toutes les instructions données ci-dessous peut provoquer un choc électrique, un incendie et/ou une blessure grave.
- ▶ Les opérations de lustrage ne sont pas recommandées avec cet outil électrique. Les opérations pour lesquelles l'outil électrique n'a pas été conçu peuvent provoquer un danger et causer un accident corporel.
- ▶ Ne pas utiliser d'accessoires non conçus spécifiquement et recommandés par le fabricant d'outils. Le simple fait que l'accessoire puisse être fixé à votre outil électrique ne garantit pas un fonctionnement en toute sécurité.
- ▶ La vitesse assignée de l'accessoire doit être au moins égale à la vitesse maximale indiquée sur l'outil électrique. Les accessoires fonctionnant plus vite que leur vitesse assignée peuvent se rompre et voler en éclat.
- ▶ Le diamètre extérieur et l'épaisseur de votre accessoire doivent se situer dans le cadre des caractéristiques de capacité de votre outil électrique. Les accessoires dimensionnés de façon incorrecte ne peuvent pas être protégés ou commandés de manière appropriée.
- ▶ Le montage fileté d'accessoires doit être adapté au filet de l'arbre de la meuleuse. Pour les accessoires montés avec des flasques, l'alésage central de l'accessoire doit s'adapter correctement au diamètre du flasque. Les accessoires qui ne correspondent pas aux éléments de montage de l'outil électrique seront en déséquilibre, vibreront de manière excessive et pourront provoquer une perte de contrôle.
- ▶ Ne pas utiliser d'accessoire endommagé. Avant chaque utilisation examiner les accessoires

comme les meules abrasives pour détecter la présence éventuelle de copeaux et fissures, les patins d'appui pour détecter des traces éventuelles de fissures, de déchirure ou d'usure excessive, ainsi que les brosses métalliques pour détecter des fils desserrés ou fissurés. Si l'outil électrique ou l'accessoire a subi une chute, examiner les dommages éventuels ou installer un accessoire non endommagé. Après examen et installation d'un accessoire, placez-vous ainsi que les personnes présentes à distance du plan de l'accessoire rotatif et faire marcher l'outil électrique à vitesse maximale à vide pendant 1 min. Les accessoires endommagés seront normalement détruits pendant cette période d'essai.

- ▶ Porter un équipement de protection individuelle. En fonction de l'application, utiliser un écran facial, des lunettes de sécurité ou des verres de sécurité. Le cas échéant, utiliser un masque anti-poussières, des protections auditives, des gants et un tablier capables d'arrêter les petits fragments abrasifs ou des pièces à usiner. La protection oculaire doit être capable d'arrêter les débris volants produits par les diverses opérations. Le masque anti-poussières ou le respirateur doit être capable de filtrer les particules produites par vos travaux. L'exposition prolongée aux bruits de forte intensité peut provoquer une perte de l'audition.
- ▶ Maintenir les personnes présentes à une distance de sécurité par rapport à la zone de travail. Toute personne entrant dans la zone de travail doit porter un équipement de protection individuelle. Des fragments de pièce à usiner ou d'un accessoire cassé peuvent être projetés et provoquer des blessures en dehors de la zone immédiate d'opération.
- ▶ Tenir l'outil uniquement par les surfaces de préhension isolantes, pendant les opérations au cours desquelles l'accessoire coupant peut être en contact avec des conducteurs cachés ou avec son propre câble. Le contact de l'accessoire coupant avec un fil «sous tension» peut mettre «sous tension» les parties métalliques exposées de l'outil électrique et provoquer un choc électrique sur l'opérateur.
- ▶ Placer le câble éloigné de l'accessoire de rotation. Si vous perdez le contrôle, le câble peut être coupé ou subir un accroc et votre main ou votre bras peut être tiré dans l'accessoire de rotation.
- ▶ Ne jamais reposer l'outil électrique avant que l'accessoire n'ait atteint un arrêt complet. L'accessoire de rotation peut agripper la surface et arracher l'outil électrique hors de votre contrôle.
- ▶ Ne pas faire fonctionner l'outil électrique en le portant sur le côté. Un contact accidentel avec l'accessoire de rotation pourrait accrocher vos vêtements et attirer l'accessoire sur vous.
- ▶ Nettoyer régulièrement les orifices d'aération de l'outil électrique. Le ventilateur du moteur attirera la poussière à l'intérieur du boîtier et une accumulation excessive de poudre de métal peut provoquer des dangers électriques.
- ▶ Ne pas faire fonctionner l'outil électrique à proximité de matériaux inflammables. Des étincelles

pourraient enflammer ces matériaux.

- ▶ Ne pas utiliser d'accessoires qui nécessitent des réfrigérants fluides. L'utilisation d'eau ou d'autres réfrigérants fluides peut aboutir à une électrocution ou un choc électrique.

## REBONDS ET MISES EN GARDE CORRESPONDANTES

Le rebond est une réaction soudaine au pincement ou à l'accrochage d'une meule rotative, d'un patin d'appui, d'une brosse ou de tout autre accessoire. Le pincement ou l'accrochage provoque un blocage rapide de l'accessoire en rotation qui, à son tour, contraint l'outil électrique hors de contrôle dans le sens opposé de rotation de l'accessoire au point du grippage. Par exemple, si une meule abrasive est accrochée ou pincée par la pièce à usiner, le bord de la meule qui entre dans le point de pincement peut creuser la surface du matériau, provoquant des sauts ou l'expulsion de la meule. La meule peut sauter en direction de l'opérateur ou encore en s'en éloignant, selon le sens du mouvement de la meule au point de pincement. Les meules abrasives peuvent également se rompre dans ces conditions. Le rebond résulte d'un mauvais usage de l'outil et/ou de procédures ou de conditions de fonctionnement incorrectes et peut être évité en prenant les précautions appropriées spécifiées ci-dessous.

- ▶ Maintenir fermement l'outil électrique et placer votre corps et vos bras pour vous permettre de résister aux forces de rebond. Toujours utiliser une poignée auxiliaire, le cas échéant, pour une maîtrise maximale du rebond ou de la réaction de couple au cours du démarrage. L'opérateur peut maîtriser les couples de réaction ou les forces de rebond, si les précautions qui s'imposent sont prises.
- ▶ Ne jamais placer votre main à proximité de l'accessoire en rotation. L'accessoire peut effectuer un rebond sur votre main.
- ▶ Ne pas vous placer dans la zone où l'outil électrique se déplacera en cas de rebond. Le rebond pousse l'outil dans le sens opposé au mouvement de la meule au point d'accrochage.
- ▶ Apporter un soin particulier lors de travaux dans les coins, les arêtes vives etc. Éviter les rebondissements et les accrochages de l'accessoire. Les coins, les arêtes vives ou les rebondissements ont tendance à accrocher l'accessoire en rotation et à provoquer une perte de contrôle ou un rebond.
- ▶ Ne pas fixer de chaîne coupante, de lame de sculpture sur bois, de chaîne coupante ni de lame de scie dentée. De telles lames provoquent des rebonds fréquents et des pertes de contrôle.

## MISES EN GARDE DE SÉCURITÉ SPÉCIFIQUES AUX OPÉRATIONS DE MEULAGE ET DE TRONÇONNAGE ABRASIF

- ▶ Utiliser uniquement des types de meules recommandés pour votre outil électrique et le protecteur spécifique conçu pour la meule choisie. Les meules pour lesquelles l'outil électrique n'a pas été conçu ne peuvent pas être protégées de façon satisfaisante et sont dangereuses.

- ▶ La surface de meulage des meules à moyeu déporté doit être montée sous le plan de la lèvre du protecteur. Une meule montée de manière incorrecte qui dépasse du plan de la lèvre du protecteur ne peut pas être protégée de manière appropriée.
- ▶ Le protecteur doit être solidement fixé à l'outil électrique et placé en vue d'une sécurité maximale, de sorte que l'opérateur soit exposé le moins possible à la meule. Le protecteur permet de protéger l'opérateur des fragments de meule cassée, d'un contact accidentel avec la meule et d'étincelles susceptibles d'enflammer les vêtements.
- ▶ Les meules doivent être utilisées uniquement pour les applications recommandées. Par exemple: ne pas meuler avec le côté de la meule à tronçonner. Les meules à tronçonner abrasives sont destinées au meulage périphérique, l'application de forces latérales à ces meules peut les briser en éclats.
- ▶ Toujours utiliser des flasques de meule non endommagés qui sont de taille et de forme correctes pour la meule que vous avez choisie. Des flasques de meule appropriés supportent la meule réduisant ainsi la possibilité de rupture de la meule. Les flasques pour les meules à tronçonner peuvent être différents des autres flasques de meule.
- ▶ Ne pas utiliser de meules usées d'outils électriques plus grands. La meule destinée à un outil électrique plus grand n'est pas appropriée pour la vitesse plus élevée d'un outil plus petit et elle peut éclater.

### **MISES EN GARDE DE SÉCURITÉ ADDITIONNELLES SPÉCIFIQUES AUX OPÉRATIONS DE TRONÇONNAGE ABRASIF**

- ▶ Ne pas «coincer» la meule à tronçonner ou ne pas appliquer une pression excessive. Ne pas tenter d'exécuter une profondeur de coupe excessive. Une contrainte excessive de la meule augmente la charge et la probabilité de torsion ou de blocage de la meule dans la coupe et la possibilité de rebond ou de rupture de la meule.
  - ▶ Ne pas vous placer dans l'alignement de la meule en rotation ni derrière celle-ci. Lorsque la meule, au point de fonctionnement, s'éloigne de votre corps, le rebond éventuel peut propulser la meule en rotation et l'outil électrique directement sur vous.
  - ▶ Lorsque la meule se bloque ou lorsque la coupe est interrompue pour une raison quelconque, mettre l'outil électrique hors tension et tenir l'outil électrique immobile jusqu'à ce que la meule soit à l'arrêt complet. Ne jamais tenter d'enlever la meule à tronçonner de la coupe tandis que la meule est en mouvement sinon le rebond peut se produire. Rechercher et prendre des mesures correctives afin d'empêcher que la meule ne se grippe.
  - ▶ Ne pas démarrer de nouveau le travail directement sur la pièce. Laissez le disque atteindre sa vitesse maximale et entrer en contact avec la pièce prudemment. Le disque peut s'accrocher,
- se soulever brusquement ou avoir un mouvement arrière si l'appareil est redémarré en charge.
- ▶ Prévoir un support de panneaux ou de toute pièce à usiner surdimensionnée pour réduire le risque de pincement et de rebond de la meule. Les grandes pièces à usiner ont tendance à fléchir sous leur propre poids. Les supports doivent être placés sous la pièce à usiner près de la ligne de coupe et près du bord de la pièce des deux côtés de la meule.
  - ▶ Soyez particulièrement prudent lorsque vous faites une «coupe en retrait» dans des parois existantes ou dans d'autres zones sans visibilité. La meule saillante peut couper des tuyaux de gaz ou d'eau, des câblages électriques ou des objets, ce qui peut entraîner des rebonds.

### **MISES EN GARDE DE SÉCURITÉ SPÉCIFIQUES AUX OPÉRATIONS DE PONÇAGE**

Ne pas utiliser de papier abrasif trop surdimensionné pour les disques de ponçage. Suivre les recommandations des fabricants, lors du choix du papier abrasif. Un papier abrasif plus grand s'étendant au-delà du patin de ponçage présente un danger de lacération et peut provoquer un accrochage, une déchirure du disque ou un rebond.

### **MISES EN GARDE DE SÉCURITÉ SPÉCIFIQUES AUX OPÉRATIONS DE BROSSAGE MÉTALLIQUE**

- ▶ Garder à l'esprit que des brins métalliques sont rejetés par la brosse même au cours d'une opération ordinaire. Ne pas soumettre à une trop grande contrainte les fils métalliques en appliquant une charge excessive à la brosse. Les brins métalliques peuvent aisément pénétrer dans des vêtements légers et/ou la peau.
- ▶ Si l'utilisation d'un protecteur est recommandée pour le brossage métallique, ne permettre aucune gêne du touret ou de la brosse métallique au protecteur. Le touret ou la brosse métallique peut se dilater en diamètre en raison de la charge de travail et des forces centrifuges

### **CONSIGNES DE SÉCURITÉ ADDITIONNELLES**

- ▶ Portez toujours des lunettes de protection.
- ▶ Utilisez un détecteur approprié pour vérifier s'il n'y a pas de conduites cachées ou contactez votre société de distribution d'eau locale. Tout contact avec des câbles électriques peut provoquer un incendie ou un choc électrique. Tout endommagement d'une conduite de gaz peut provoquer une explosion. La perforation d'une conduite d'eau provoque des dégâts matériels et peut provoquer un choc électrique.
- ▶ Attendez que les meules à ébarber et les disques à tronçonner aient refroidi avant de les toucher. Les meules deviennent brûlantes pendant le travail.
- ▶ Déverrouiller l'interrupteur Marche/Arrêt et le mettre dans la position d'arrêt, si l'alimentation en courant est interrompue, par ex. par une panne de courant ou quand la fiche du secteur est débranchée. Ceci permet d'éviter un redémarrage incontrôlé.
- ▶ Bloquez la pièce à travailler. Une pièce à travailler

serrée par des dispositifs de serrage appropriés ou dans un étau est fixée de manière plus sûre que quand elle est tenue avec une main.

### BRANCHEMENT SUR L'ALIMENTATION

Assurez-vous que les informations sur l'alimentation indiquées sur la plaque signalétique de la machine, soient compatibles avec l'alimentation à laquelle vous avez l'intention de la brancher. Cet appareil est de Classe II et est prévu pour être raccordé à une alimentation correspondant à celle indiquée sur l'étiquette, et compatible avec la prise de courant installée. Si une rallonge est nécessaire, utilisez un fil approuvé et compatible pour cet appareil. Suivez toutes les instructions fournies avec la rallonge.

### CONSEILS D'UTILISATION DES RALLONGES

- ▶ Assurez-vous que votre rallonge soit en bon état. Lorsque vous utilisez une rallonge, assurez-vous d'en utiliser une assez résistante pour faire circuler le courant que le rabot consommera. Un cordon sous-dimensionné provoquera une chute de tension, entraînant une perte de puissance et une surchauffe.
- ▶ Remplacez toujours une rallonge endommagée, ou faites-la réparer par une personne qualifiée avant de l'utiliser.
- ▶ Protégez vos rallonges des objets pointus, de la chaleur excessive et des zones humides / mouillées.
- ▶ Utilisez un autre circuit électrique pour vos outils. Ce circuit doit être protégé grâce à un fusible à fusion lente. Avant de brancher le moteur à l'alimentation, assurez-vous que l'interrupteur soit sur la position OFF, et que la tension électrique soit la même que celle indiquée sur la plaque signalétique du moteur. Faire fonctionner le moteur sur une tension d'une valeur inférieure, l'endommagera.

## SPÉCIFICATIONS DU PRODUIT

### UTILISATION CONFORME

L'outil électroportatif est conçu pour le tronçonnage, le meulage et le brossage de métaux et de pierres sans utilisation d'eau.

### SPÉCIFICATIONS TECHNIQUES

N° d'article	44 826	44 827	
Modèle AG 125/PRO	1100E	1200EC	
Tension nominale	V	220-240	
	Hz	50/60	
Puissance nominale absorbée	W	1.100	1.200
Vitesse de rotation nominale	min <sup>-1</sup>	4.000-12.200	4.000-12.200
Diamètre max. de la meule	mm	125	
Filetage de broche		M14	
Poids	kg	2,0	2,1

### Valeurs d'émissions sonores déterminées selon la norme EN 60745-1, EN 60745-2-3

Les mesures réelles (A) des niveaux sonores de l'appareil sont:

Niveau de pression acoustique	dB(A)	90,2
Niveau d'intensité acoustique	dB(A)	101,2
Incertitude K	dB	3

### Valeurs totales des vibrations a<sub>h</sub> (somme vectorielle des trois axes directionnels) et incertitude K relevées conformément à la norme EN 60745-1, EN 60745-2-3

#### Niveau de vibration:

a <sub>h,AG</sub>	m/s <sup>2</sup>	9,063
K	m/s <sup>2</sup>	1,5

### NIVEAU SONORE ET VIBRATIONS

Le niveau d'oscillation indiqué dans ces instructions d'utilisation a été mesuré conformément à la norme EN 60745 et peut être utilisé pour une comparaison d'outils électroportatifs. Il est également approprié pour une estimation préliminaire de la charge vibratoire.

Le niveau d'oscillation correspond aux utilisations principales de l'outil électroportatif. Si l'outil électrique est néanmoins utilisé pour d'autres applications, avec différents accessoires ou d'autres outils de travail ou s'il est mal entretenu, le niveau d'oscillation peut être différent. Ceci peut augmenter considérablement la charge vibratoire pendant toute la durée de travail.

Pour une estimation précise de la charge vibratoire, il est recommandé de prendre aussi en considération les périodes pendant lesquelles l'appareil est éteint ou en fonctionnement, mais pas vraiment utilisé. Ceci peut réduire considérablement la charge vibratoire pendant toute la durée de travail. Déterminez des mesures de protection supplémentaires pour protéger l'utilisateur des effets des vibrations, telles que par exemple: Entretien de l'outil électrique et des outils de travail, maintenir les mains chaudes, organisation des opérations de travail.

### IDENTIFICATION

1. Interrupteur Marche/Arrêt
2. Dispositif de blocage de broche
3. Poignée supplémentaire
4. Protège-main
5. Levier de déverrouillage du capot de protection
6. Arbre
7. Bride de serrage
8. Clé
9. Bride de montage
10. Molette de présélection de vitesse



## UTILISATION

### MONTAGE DES ACCESSOIRES (E)

- ▶ Nettoyez l'arbre **(06)** ainsi que toutes les pièces à monter.
- ▶ Serrez la bride de serrage **(07)** avec la clé **(08)** tout en appuyant sur le bouton de blocage de l'arbre **(02)**.
- ▶ Procédez dans l'ordre inverse pour démonter les accessoires.

### MONTAGE DE LA POIGNÉE AUXILIAIRE (C)

En fonction du mode de travail, vissez la poignée supplémentaire **(03)** du côté droit ou gauche du carter d'engrenage.

### DÉMONTAGE / MONTAGE / RÉGLAGE DU PROTÈGE-MAIN (B)

- ▶ Ouvrez le protège-main en desserrant la vis **(05)**.
- ▶ Disposez le protège-main **(4)** sur le collier et le tourner en position adéquate (selon le travail à effectuer).
- ▶ Réglez la protection **(4)** en appuyant sur le levier **(5)**.

### AVANT TOUTE UTILISATION

- ▶ Assurez-vous que l'accessoire soit correctement monté et fermement serré.
- ▶ Vérifiez manuellement que l'accessoire tourne aisément.
- ▶ Testez l'outil à vide au moins 60 secondes à vitesse maximum dans une position de sécurité
- ▶ Arrêtez l'outil immédiatement dans le cas de vibrations considérables ou la présence d'autres défauts et vérifiez l'outil pour en déterminer la cause.

### MISE EN MARCHÉ/ARRÊT (D)

- ▶ Pour mettre en marche l'outil électroportatif, poussez l'interrupteur Marche/Arrêt **(01)** vers l'avant.
- ▶ Pour bloquer l'interrupteur Marche/Arrêt **(01)**, appuyez sur l'interrupteur Marche/Arrêt **(01)** jusqu'à ce qu'il s'enclenche.
- ▶ Pour arrêter l'outil électroportatif, relâchez l'interrupteur Marche/Arrêt **(01)** ou, s'il a été bloqué, appuyez brièvement sur la partie arrière de l'interrupteur Marche/Arrêt **(01)**, puis relâchez ce dernier.

### PRÉSÉLECTION DE VITESSE

La molette de présélection de vitesse **(10)**, permet de sélectionner la vitesse de rotation nécessaire (même durant l'utilisation de l'outil). Le tableau ci-dessous indique les valeurs recommandées pour différentes applications.

### MEULAGE

- ▶ Avec un angle d'inclinaison de 30° à 40°, on obtient les meilleurs résultats lors des travaux de dégrossissage. Guidez l'outil électroportatif de façon régulière en exerçant une pression modérée. Ceci évite un échauffement excessif de la pièce à travailler, elle ne change pas de couleur et il n'y a pas de stries.
- ▶ N'utilisez jamais de disques à tronçonner pour les travaux de dégrossissage.

## TRONÇONNAGE

- ▶ Ne pas inclinez l'outil pendant le tronçonnage.
- ▶ Toujours déplacez l'outil dans la même direction marquée par la flèche sur la tête, afin d'éviter que l'outil ne sorte avec violence de l'entaille.
- ▶ Ne jamais appliquez une trop forte pression sur l'outil; laissez au disque le soin de faire le travail de par sa propre vitesse.
- ▶ La vitesse de travail du disque de tronçonnage dépend du matériau à tronçonner.
- ▶ Ne pas freinez les disques de tronçonnage en appliquant une pression latérale.

## MAINTENANCE

Une inspection et un nettoyage réguliers minimisent la maintenance, et votre outil sera toujours en bon état. Le moteur doit être correctement ventilé lorsque vous utilisez l'outil. Pour cette raison évitez de boucher les aérations.

## PROTECTION ENVIRONNEMENTALE

Recycler les matières premières au lieu de les éliminer comme des déchets. L'outil, les accessoires et les emballages doivent être triés afin d'assurer un recyclage respectueux de l'environnement. Les composants en plastique sont étiquetés afin d'assurer un recyclage adéquate.

## GARANTIE

Le produit est garanti conformément aux réglementations légales / nationales, à compter de la date d'achat par le premier utilisateur. Tout dommage attribuable à une usure normale, à une surcharge ou à une utilisation incorrecte de l'outil sera exclu de la garantie. En cas de réclamation, envoyer l'outil, intégralement assemblé, à votre revendeur ou à un Centre de réparation des outils électriques.

## ITALIANO

### AVVERTENZE GENERALI DI PERICOLO PER ELETTROUTENSILI

**AVVERTENZA!** Leggere tutte le avvertenze di pericolo e le istruzioni operative. In caso di mancato rispetto delle avvertenze di pericolo e delle istruzioni operative si potrà creare il pericolo di scosse elettriche, incendi e/o incidenti gravi. Conservare tutte le avvertenze di pericolo e le istruzioni operative per ogni esigenza futura. Il termine «elettroutensile» utilizzato nelle avvertenze di pericolo si riferisce ad utensili elettrici alimentati dalla rete (con linea di allacciamento) ed ad utensili elettrici alimentati a batteria (senza linea di allacciamento).

### SICUREZZA DELL' AREA DI LAVORO

- ▶ Tenere la postazione di lavoro sempre pulita e ben illuminata. Il disordine oppure zone della postazione di lavoro non illuminate possono essere causa di incidenti.
- ▶ Evitare d'impiegare l'elettrotensile in ambienti soggetti al rischio di esplosioni nei quali si abbia presenza di liquidi, gas o polveri infiammabili. Gli elettrotensili producono scintille che possono far infiammare la polvere o i gas.
- ▶ Tenere lontani i bambini ed altre persone durante l'impiego dell'elettrotensile. Eventuali distrazioni potranno comportare la perdita del controllo sull' elettrotensile

### SICUREZZA ELETTRICA

- ▶ La spina di allacciamento alla rete dell'elettrotensile deve essere adatta alla presa. Evitare assolutamente di apportare modifiche alla spina. Non impiegare spine adattatrici assieme ad elettrotensili dotati di collegamento a terra. Le spine non modificate e le prese adatte allo scopo riducono il rischio di scosse elettriche.
- ▶ Evitare il contatto fisico con superfici collegate a terra, come tubi, riscaldamenti, cucine elettriche e frigoriferi. Sussiste un maggior rischio di scosse elettriche nel momento in cui il corpo è messo a massa.
- ▶ Custodire l'elettrotensile al riparo dalla pioggia o dall'umidità. La penetrazione dell'acqua in un elettrotensile aumenta il rischio di una scossa elettrica.
- ▶ Non usare il cavo per scopi diversi da quelli previsti ed, in particolare, non usarlo per trasportare o per appendere l'elettrotensile oppure per estrarre la spina dalla presa di corrente. Non avvicinare il cavo a fonti di calore, olio, spigoli taglienti e neppure a parti della macchina che siano in movimento. I cavi danneggiati o aggrovigliati aumentano il rischio d'insorgenza di scosse elettriche.
- ▶ Qualora si voglia usare l'elettrotensile all'aperto, impiegare solo ed esclusivamente cavi di prolunga che siano adatti per l'impiego all'esterno. L'uso di un cavo di prolunga omologato per l'impiego all'esterno riduce il rischio d'insorgenza di scosse elettriche.

- ▶ Qualora non fosse possibile evitare di utilizzare l'elettrotensile in ambiente umido, utilizzare un interruttore di sicurezza. L'uso di un interruttore di sicurezza riduce il rischio di una scossa elettrica.

### SICUREZZA DELLE PERSONE

- ▶ È importante concentrarsi su ciò che si sta facendo e maneggiare con giudizio l'elettrotensile durante le operazioni di lavoro. Non utilizzare mai l'elettrotensile in caso di stanchezza oppure quando ci si trovi sotto l'effetto di droghe, bevande alcoliche e medicinali. Un attimo di distrazione durante l'uso dell'elettrotensile può essere causa di gravi incidenti.
- ▶ Indossare sempre equipaggiamento protettivo individuale nonché occhiali protettivi. Indossando abbigliamento di protezione personale come la maschera per polveri, scarpe di sicurezza che non scivolino, elmetto di protezione oppure protezione acustica a seconda del tipo e dell'applicazione dell'elettrotensile, si riduce il rischio di incidenti.
- ▶ Evitare l'accensione involontaria dell'elettrotensile. Prima di collegarlo alla rete di alimentazione elettrica e/o alla batteria ricaricabile, prima di prenderlo oppure prima di iniziare a trasportarlo, assicurarsi che l'elettrotensile sia spento. Tenendo il dito sopra l'interruttore mentre si trasporta l'elettrotensile oppure collegandolo all'alimentazione di corrente con l'interruttore inserito, si vengono a creare situazioni pericolose in cui possono verificarsi seri incidenti.
- ▶ Prima di accendere l'elettrotensile togliere gli attrezzi di regolazione o la chiave inglese. Un accessorio oppure una chiave che si trovi in una parte rotante della macchina può provocare seri incidenti.
- ▶ Evitare una posizione anomala del corpo. Avere cura di mettersi in posizione sicura e di mantenere l'equilibrio in ogni situazione. In questo modo è possibile controllare meglio l'elettrotensile in caso di situazioni inaspettate.
- ▶ Indossare vestiti adeguati. Non indossare vestiti larghi, né portare bracciali e catenine. Tenere i capelli, i vestiti ed i guanti lontani da pezzi in movimento. Vestiti lenti, gioielli o capelli lunghi potranno impigliarsi in pezzi in movimento.

### TRATTAMENTO ACCURATO ED USO CORRETTO DEGLI ELETTROUTENSILI

- ▶ Non sottoporre la macchina a sovraccarico. Per il proprio lavoro, utilizzare esclusivamente l'elettrotensile esplicitamente previsto per il caso. Con un elettrotensile adatto si lavora in modo migliore e più sicuro nell'ambito della sua potenza di prestazione.
- ▶ Non utilizzare mai elettrotensili con interruttori difettosi. Un elettrotensile con l'interruttore rotto è pericoloso e deve essere aggiustato.
- ▶ Prima di procedere ad operazioni di regolazione sulla macchina, prima di sostituire parti accessorie oppure prima di posare la macchina al termine di un lavoro, estrarre sempre la spina dalla presa della corrente e/o estrarre la batteria

ricaricabile. Tale precauzione eviterà che l'elettrotensile possa essere messo in funzione involontariamente.

- ▶ Quando gli elettrotensili non vengono utilizzati, conservarli al di fuori del raggio di accesso di bambini. Non fare usare l'elettrotensile a persone che non siano abituate ad usarlo o che non abbiano letto le presenti istruzioni. Gli elettrotensili sono macchine pericolose quando vengono utilizzati da persone non dotate di sufficiente esperienza.
- ▶ Eseguire la manutenzione dell'elettrotensile operando con la dovuta diligenza. Accertarsi che le parti mobili della macchina funzionino perfettamente, che non s'inceppino e che non ci siano pezzi rotti o danneggiati al punto da limitare la funzione dell'elettrotensile stesso. Prima di iniziare l'impiego, far riparare le parti danneggiate. Numerosi incidenti vengono causati da elettrotensili la cui manutenzione è stata effettuata poco accuratamente.
- ▶ Mantenere gli utensili da taglio affilati e puliti. Gli utensili da taglio curati con particolare attenzione e con taglianti affilati s'inceppano meno frequentemente e sono più facili da condurre.
- ▶ Utilizzare sempre l'elettrotensile, gli accessori e gli utensili specifici ecc. in conformità alle presenti istruzioni, tenendo conto delle condizioni di lavoro e delle operazioni da eseguire. L'impiego di elettrotensili per usi diversi da quelli consentiti può dar luogo a situazioni di pericolo.

## ASSISTENZA

Fare riparare l'elettrotensile solo ed esclusivamente da personale specializzato e solo impiegando pezzi di ricambio originali. In tale maniera potrà essere salvaguardata la sicurezza dell'elettrotensile.

## AVVERTENZE DI SICUREZZA PER SMERIGLIATRICI ANGOLARI

### AVVERTENZE DI SICUREZZA VALIDE PER OPERAZIONI DI SMERIGLIATURA, LEVIGATURA, SPAZZOLATURA O TAGLIO AD ABRASIONE

- ▶ Il presente elettrotensile è concepito per l'impiego come smerigliatrice, levigatrice, spazzola o utensile da taglio. Leggere tutte le avvertenze di pericolo, le istruzioni operative, le figure e le specifiche fornite in dotazione al presente elettrotensile. Il mancato rispetto di tutte le istruzioni sottoelencate potrà comportare il pericolo di scosse elettriche, incendi e/o gravi lesioni.
- ▶ Si sconsiglia di eseguire con il presente elettrotensile operazioni quali la lucidatura. Un impiego dell'elettrotensile per operazioni non previste può comportare pericoli e causare lesioni.
- ▶ Non utilizzare accessori che non siano espressamente progettati e consigliati dal costruttore dell'utensile. Il solo fatto che l'accessorio si possa inserire sull'elettrotensile non ne garantisce la sicurezza d'impiego.
- ▶ Il numero di giri nominale dell'accessorio dovrà essere almeno pari al numero di giri massimo riportato sull'elettrotensile. Se utilizzati ad un

numero di giri superiore a quello nominale, gli accessori possono spezzarsi e proiettare parti.

- ▶ Il diametro esterno e lo spessore dell'accessorio dovranno rientrare nella capacità nominale dell'elettrotensile. Gli accessori non correttamente dimensionati non possono essere adeguatamente sorvegliati o controllati.
- ▶ La filettatura di fissaggio degli accessori dovrà coincidere con quella dell'alberino della smerigliatrice. Per gli accessori con montaggio a flangia, il foro per il mandrino dell'accessorio dovrà coincidere con il diametro di alloggiamento della flangia. L'utilizzo di accessori non coincidenti con il fissaggio dell'elettrotensile comporterà funzionamento sbilanciato, vibrazioni eccessive e possibile perdita di controllo.
- ▶ Non utilizzare accessori danneggiati. Prima di ogni impiego, verificare che i dischi abrasivi non presentino fenditure o scheggiature, che il platorello di supporto non sia screpolato, lacerato o usurato eccessivamente e che la spazzola metallica non presenti fili distaccati o spezzati. Qualora l'elettrotensile o l'accessorio cada, verificare che non vi siano danni, oppure montare un accessorio integro. Una volta ispezionato e montato un accessorio, mantenere sé stessi e le eventuali altre persone presenti a distanza dal piano di rotazione dell'accessorio e lasciare in funzione l'elettrotensile per un minuto al numero di giri a vuoto massimo. Di norma, entro tale lasso di tempo, eventuali accessori danneggiati si spezzeranno.
- ▶ Indossare i dispositivi di protezione individuale. In base all'applicazione, utilizzare schermo facciale, occhiali di protezione o occhiali di sicurezza. Laddove necessario, indossare maschera per polveri, protezioni per l'udito, guanti e grembiule da officina in grado di arrestare piccoli frammenti abrasivi oppure a frammenti dei pezzi in lavorazione. Gli occhiali protettivi dovranno resistere ai frammenti eventualmente proiettati da varie operazioni. La maschera per polveri, oppure il respiratore, dovrà essere in grado di filtrare le particelle generate dall'operazione prevista. L'esposizione prolungata ad elevati livelli di rumorosità può comportare la perdita dell'udito.
- ▶ Tenere le persone presenti a distanza di sicurezza dall'area di lavoro. Chiunque entri nell'area di lavoro dovrà indossare equipaggiamento protettivo personale. I frammenti di un pezzo in lavorazione, oppure di un accessorio spezzato, possono venire proiettati all'esterno e causare lesioni, anche oltre le vicinanze dell'area di funzionamento.
- ▶ Afferrare l'elettrotensile esclusivamente sulle superfici isolate dell'impugnatura, qualora si eseguano operazioni in cui l'accessorio da taglio potrebbe venire a contatto con cavi elettrici nascosti o con il cavo di alimentazione dell'elettrotensile stesso. Se l'accessorio da taglio entra in contatto con un cavo sotto tensione, la tensione potrebbe trasmettersi anche alle parti metalliche esposte dell'elettrotensile, provocando la folgorazione dell'utilizzatore.
- ▶ Posizionare il cavo di alimentazione a distanza

dall'accessorio in rotazione. In caso di perdita di controllo, il filo potrebbe venire tagliato o intrappolato e la mano o il braccio dell'utilizzatore potrebbero venire trascinati nell'accessorio rotante.

- ▶ Non deporre in alcun caso l'elettrotensile prima che l'accessorio si sia completamente arrestato. L'accessorio rotante potrebbe incepparsi sulla superficie, causando la perdita di controllo dell'elettrotensile.
- ▶ Non mettere in funzione l'elettrotensile durante il trasporto manuale. Un contatto accidentale con l'accessorio rotante potrebbe intrappolare gli indumenti, portando l'accessorio a contatto con il corpo.
- ▶ Pulire regolarmente le feritoie di aerazione dell'elettrotensile. La ventola del motore trascinerà la polvere all'interno della carcassa e un accumulo eccessivo di materiale polverizzato può comportare rischi di natura elettrica.
- ▶ Non utilizzare l'elettrotensile in prossimità di materiali infiammabili. Le scintille propagate durante la lavorazione potrebbero causarne l'innescio.
- ▶ Non utilizzare accessori che richiedano refrigeranti liquidi. L'impiego di acqua o di altri refrigeranti liquidi possono causare folgorazioni e scosse elettriche.

#### CONTRACCOLPI E RELATIVE AVVERTENZE

I contraccolpi sono reazioni improvvise causate dal blocco o dall'inceppamento di un disco, plateale di supporto o spazzola in rotazione, o da qualsiasi altro accessorio. L'inceppamento o il blocco causano un rapido arresto dell'accessorio in rotazione, che a sua volta sposta improvvisamente l'elettrotensile fuori controllo in direzione opposta alla rotazione dell'accessorio nel punto d'inceppamento.

Ad esempio, se un disco abrasivo si blocca o si inceppa nel pezzo in lavorazione, il filo del disco stesso, entrando nel punto d'inceppamento, potrebbe penetrare nella superficie del materiale, facendo improvvisamente risalire il disco o proiettandolo all'esterno. Il disco potrebbe quindi essere lanciato verso l'utilizzatore o in direzione opposta, in base al senso di rotazione del disco nel punto d'inceppamento. In tali condizioni, i dischi abrasivi possono anche spezzarsi. I contraccolpi sono causati da un impiego errato dell'elettrotensile e/o da procedure o condizioni d'impiego non conformi e si possono evitare adottando le precauzioni indicate di seguito.

- ▶ Mantenere una salda presa sull'elettrotensile e posizionare corpo e braccio in modo da poter contrastare eventuali forze di contraccolpo. Se presente, utilizzare sempre l'impugnatura supplementare, per controllare al meglio i contraccolpi o le coppie di reazione durante l'avviamento. Adottando opportune precauzioni, l'utilizzatore può controllare le coppie di reazione e le forze di contraccolpo.
- ▶ Non porre in alcun caso una mano in prossimità dell'accessorio in rotazione, per evitare

contraccolpi dell'accessorio sulla mano.

- ▶ Non posizionarsi nell'area di movimento dell'elettrotensile in caso di contraccolpi. Un eventuale contraccolpo proietterà l'utensile in direzione opposta al senso di rotazione del disco nel punto di inceppamento.
- ▶ Adottare particolare cautela durante la lavorazione di angoli, spigoli vivi e simili. Evitare che l'accessorio rimbalzi o si inceppi. Angoli e spigoli vivi, o anche i rimbalzi, tendono a far inceppare l'accessorio in rotazione, causandone la perdita di controllo o contraccolpi.
- ▶ Non montare una lama da sega a catena, né una lama dentata. Tali tipi di lame causano frequentemente contraccolpi e perdita di controllo.

#### AVVERTENZE DI PERICOLO SPECIFICHE PER OPERAZIONI DI SMERIGLIATURA E DI TAGLIO AD ABRASIONE

- ▶ Impiegare esclusivamente dischi di tipo consigliato per l'elettrotensile e la protezione espressamente progettata per il disco scelto. I dischi non progettati per l'elettrotensile non possono essere adeguatamente sorvegliati e non sono sicuri.
- ▶ La superficie abrasiva dei dischi a centro depresso andrà montata sotto il piano del bordo di sicurezza. Un disco montato non correttamente, che fuoriesca dal piano del bordo di sicurezza, non potrà essere adeguatamente protetto.
- ▶ La protezione andrà applicata e posizionata sull'elettrotensile in condizioni di sicurezza, per offrire la massima protezione e per esporre la minore superficie possibile del disco verso l'utilizzatore. La protezione contribuisce alla sicurezza dell'utilizzatore, proteggendolo da eventuali proiezioni di frammenti del disco, dai contatti accidentali con il disco stesso e da scintille che potrebbero innescarsi sugli indumenti.
- ▶ I dischi andranno impiegati esclusivamente per le applicazioni consigliate. Ad esempio, evitare la smerigliatura di lato con il disco da taglio. I dischi abrasivi sono concepiti per la smerigliatura rotoriale: se sottoposti a forze laterali, tali dischi possono rompersi.
- ▶ Utilizzare sempre flange di fissaggio dei dischi integre e di forma e dimensioni corrette per il disco scelto. Le flange di tipo idoneo supportano il disco, riducendo la possibilità che si spezzi. Le flange per dischi da taglio possono differire da quelle per dischi abrasivi.
- ▶ Non utilizzare dischi usurati da elettrotensili di maggiori dimensioni. I dischi concepiti per elettrotensili di maggiori dimensioni non sono adatti per i maggiori numeri di giri degli elettrotensili più piccoli e potrebbero venire proiettati all'esterno.

#### AVVERTENZE DI SICUREZZA SUPPLEMENTARI SPECIFICHE PER OPERAZIONI DI TAGLIO CON ABRASIVI

- ▶ Evitare di inceppare il disco da taglio e di applicare pressione eccessiva. Non tentare di raggiungere eccessive profondità di taglio. Le sollecitazioni eccessive sul disco ne incrementano il

carico e la possibilità che il disco stesso subisca torsioni o inceppamenti all'interno del taglio, con conseguente pericolo di contraccolpi o rottura.

- ▶ Non posizionarsi in linea con il disco in rotazione o dietro di esso. Se il disco, nel punto d'impiego, si sposta in direzione opposta all'utilizzatore, il possibile contraccolpo del disco in rotazione potrebbe proiettare il disco stesso e l'elettrotensile direttamente sull'utilizzatore.
- ▶ Qualora il disco si inceppi, o se occorre interrompere un taglio per qualsiasi ragione, spegnere l'elettrotensile e mantenerlo fermo fino a quando il disco non si è completamente arrestato. Non tentare in alcun caso di rimuovere dal taglio il disco mentre quest'ultimo è ancora in movimento: ciò potrebbe causare contraccolpi. Ricercare la causa dell'inceppamento del disco e adottare gli opportuni provvedimenti.
- ▶ Non riprendere l'operazione di taglio già all'interno del pezzo in lavorazione. Lasciare che il disco raggiunga il pieno numero di giri, dopodiché reintrodurlo con cautela nel taglio. Un riavvio dell'elettrotensile all'interno del pezzo in lavorazione potrebbe provocare l'inceppamento, la risalita o un contraccolpo del disco.
- ▶ Sostenere i pannelli o i pezzi in lavorazione di grandi dimensioni, per ridurre al minimo i rischi di inceppamento e di contraccolpo del disco. I pezzi in lavorazione di grandi dimensioni tendono a flettersi sotto il loro peso. I supporti devono essere posti sotto al pezzo in lavorazione, in prossimità della linea di taglio e del bordo del pezzo stesso, su entrambi i lati del disco.
- ▶ Adottare particolare cautela nell'eseguire tagli dal pieno su pareti preesistenti o su altri punti non visibili. La parte sporgente del disco potrebbe tagliare tubazioni del gas o dell'acqua, cavi elettrici o oggetti che possono causare contraccolpi.

#### **AVVERTENZE DI SICUREZZA SPECIFICHE PER OPERAZIONI DI LEVIGATURA**

Non utilizzare dischi abrasivi in carta sovradimensionati. Attenersi alle indicazioni del costruttore nella scelta della carta abrasiva. I fogli di carta abrasiva di dimensioni superiori al piatto abrasivo possono lacerarsi e causare inceppamenti, rottura del disco o contraccolpi.

#### **AVVERTENZE DI SICUREZZA SPECIFICHE PER OPERAZIONI DI SPAZZOLATURA**

- ▶ Tenere presente che, anche durante il normale funzionamento, alcune setole vengono proiettate all'esterno. Non sollecitare eccessivamente i fili applicando un carico eccessivo sulla spazzola. Le setole possono facilmente penetrare in indumenti leggeri e/o nella pelle.
- ▶ Qualora per la spazzolatura sia consigliato l'uso di una protezione, evitare che la spazzola a disco o la spazzola con filo metallico interferiscano con la protezione stessa. La spazzola a disco o la spazzola con filo metallico potrebbero aumentare di diametro a causa del carico e delle forze centrifughe.

#### **AVVERTENZE DI SICUREZZA SUPPLEMENTARI**

- ▶ Indossare degli occhiali di protezione.
- ▶ Al fine di rilevare linee di alimentazione nascoste, utilizzare apparecchiature di ricerca adatte oppure rivolgersi alla società erogatrice locale. Un contatto con cavi elettrici può provocare lo sviluppo di incendi e di scosse elettriche. Daneggiando una tubazione del gas si può creare il pericolo di esplosioni. Penetrando una tubazione dell'acqua si provocano seri danni materiali oppure vi è il pericolo di provocare una scossa elettrica.
- ▶ Non afferrare i dischi di levigatura e di taglio con le mani prima che si siano raffreddati. Durante il lavoro, i dischi raggiungono temperature molto elevate.
- ▶ Se l'alimentazione di corrente viene interrotta p. es. a causa di mancanza di corrente oppure di estrazione della spina di alimentazione, sbloccare l'interruttore di avvio/arresto e portarlo in posizione di arresto. Verrà così impedito un riavviamento incontrollato.
- ▶ Fissare il pezzo in lavorazione. Un pezzo in lavorazione può essere bloccato con sicurezza in posizione solo utilizzando un apposito dispositivo di serraggio oppure una morsa a vite e non tenendolo con la semplice mano.

#### **COLLEGAMENTO ALLA RETE ELETTRICA**

Assicurarsi che le informazioni di alimentazione elettrica contenute nella targhetta identificativa della macchina siano compatibili con l'alimentazione elettrica cui si intende collegarla. Questo apparecchio è di Classe II ed è progettato per essere collegato a una rete elettrica corrispondente a quella indicata nella targhetta identificativa e compatibile con la spina in dotazione. Nel caso in cui sia necessaria una prolunga, usarne una approvata, compatibile e garantita per questo apparecchio. Seguire tutte le istruzioni fornite con la prolunga.

#### **LINEE GUIDA PER L'USO DI PROLUNGHE**

- ▶ Assicurarsi che la prolunga sia collegata correttamente e sia in buone condizioni. Quando si usa una prolunga, assicurarsi che la sezione del cavo sia sufficiente per portare la corrente assorbita dal vostro prodotto. Un cavo sottodimensionato potrà causare cadute di tensione e quindi una perdita di potenza e un eccessivo riscaldamento dell'apparecchio.
- ▶ Sostituire sempre una prolunga danneggiata o farla riparare da un tecnico qualificato prima di usarla.
- ▶ Proteggere le prolunghe da oggetti affilati, calore eccessivo e aree umide/bagnate.
- ▶ Usare un circuito elettrico separato per i vostri apparecchi. Questo circuito dovrebbe essere protetto con un fusibile ritardato idoneo. Prima di collegare il motore alla linea elettrica, verificare che l'interruttore si trovi in posizione OFF e che la tensione elettrica corrisponda a quella specificata sulla targhetta del motore. Una tensione inferiore comporterà danni al motore.

## CARATTERISTICHE DEL PRODOTTO

### DESTINAZIONE D'USO

L'elettrotensile è ideale per la troncatura, la sgrossatura e la spazzolatura di materiali metallici e materiali pietrosi senza l'impiego di acqua.

DATI TECNICI			
Codice prodotto	44 826	44 827	
Model AG 125/PRO	1100E	1200EC	
Tensione nominale	V	220-240	
	Hz	50/60	
Potenza nominale assorbita	W	1.100	1.200
Numero giri nominale	min <sup>-1</sup>	4.000-12.200	4.000-12.200
Max. diametro della mola abrasiva	mm	125	
Filettatura dell'alberino portamola		M14	
Peso	kg	2,0	2,1
Valori di emissione acustica rilevati conformemente a EN 60745-1, EN 60745-2-3			
Il livello di rumore stimato A dell'apparecchio ammonta normalmente A			
Livello di pressione acustica	dB(A)	90,2	
Livello di potenza sonora	dB(A)	101,2	
Incertezza della misura K	dB	3	
Valori complessivi di oscillazione a <sub>v</sub> (somma vettoriale delle tre direzioni) e incertezza della misura K misurati conformemente alla norma EN 60745-1, EN 60745-2-3			
Livello vibrazioni:			
a <sub>hAG</sub>	m/s <sup>2</sup>	9,063	
K	m/s <sup>2</sup>	1,5	

### INFORMAZIONI SULLA RUMOROSITÀ E SULLA VIBRAZIONE

Il livello di vibrazioni indicato nelle presenti istruzioni è stato rilevato seguendo una procedura di misurazione conforme alla norma EN 60745 e può essere utilizzato per confrontare gli elettrotensili. Lo stesso è idoneo anche per una valutazione temporanea della sollecitazione da vibrazioni.

Il livello di vibrazioni indicato rappresenta gli impieghi principali dell'elettrotensile. Qualora l'elettrotensile venisse utilizzato tuttavia per altri impieghi, con accessori e utensili da innesto differenti oppure con manutenzione insufficiente, il livello di vibrazioni può differire. Questo può aumentare sensibilmente la sollecitazione da vibrazioni per l'intero periodo di tempo operativo. Per una valutazione precisa della sollecitazione da vibrazioni bisognerebbe considerare anche i tem-

pi in cui l'apparecchio è spento oppure è acceso ma non è utilizzato effettivamente. Questo può ridurre chiaramente la sollecitazione da vibrazioni per l'intero periodo operativo.

Adottare misure di sicurezza supplementari per la protezione dell'operatore dall'effetto delle vibrazioni come p.es.: manutenzione dell'elettrotensile e degli accessori, mani calde, organizzazione dello svolgimento del lavoro.

### IDENTIFICAZIONE

1. Interruttore di avvio/arresto
2. Tasto di bloccaggio dell'alberino
3. Impugnatura supplementare
4. Riparo di protezione
5. Levetta di sblocco per cuffia di protezione
6. Albero
7. Flangia di bloccaggio
8. Chiave
9. Flangia di montaggio
10. Rotellina di preselezione del numero di giri

### USO

#### MONTAGGIO DEGLI ACCESSORI (E)

- Pulire l'albero (6) e tutte le parti che si devono montare.
- Serrare la flangia (7) di bloccaggio con la chiave (8) mentre si spinge il tasto (2) di bloccaggio dell'albero.
- Per smontare gli accessori invertire la procedura.

#### MONTAGGIO DELL'IMPUGNATURA AUSILIARIA (C)

A seconda della posizione di lavoro che si preferisce, avvitare l'impugnatura supplementare (3) a destra oppure a sinistra della testata ingranaggi.

#### RIMOZIONE / MONTAGGIO / REGOLAZIONE DEL RIPARO DI PROTEZIONE (B)

- Aprire il riparo di protezione allentando la vite (5).
- Posizionare il riparo di protezione (4) sul collare dell'albero e girarlo alla posizione richiesta (secondo il lavoro da effettuare).
- Regolare la protezione (4) spingendo la leva (5).

#### PRIMA DI UTILIZZARE L'UTENSILE

- Assicurarsi che l'accessorio sia montato correttamente e fissato saldamente
- Controllate che l'accessorio giri liberamente, facendolo ruotare con la mano
- Fare girare a vuoto l'utensile per almeno 60 secondi alla velocità massima in una posizione sicura
- Arrestare immediatamente in caso di forti vibrazioni o altri difetti e cercare di determinare la causa

#### ACCENDERE/SPEGNERE (D)

- Per mettere in funzione l'elettrotensile, spingere in avanti l'interruttore di avvio/arresto (1).
- Per bloccare l'interruttore di avvio/arresto (1), spingere verso il basso in avanti l'interruttore di avvio/arresto (1), sino a farlo scattare in posizione.
- Per spegnere l'elettrotensile, rilasciare l'interruttore di avvio/arresto (1), oppure, se l'interruttore è bloccato, spingere brevemente verso il basso all'indietro l'interruttore di avvio/arresto (1), quindi rilasciarlo.

**PRESELEZIONE DEL NUMERO DI GIRI**

L'apposita rotellina (10), consente di preselezionare il numero di giri desiderato anche durante il funzionamento. Le indicazioni riportate nella seguente tabella sono valori consigliati.

**SMERIGLIATURA**

Con un'angolazione di regolazione da 30° fino a 40° si raggiungono i migliori risultati in caso di lavori di sgrassatura. Esercitando una pressione moderata, spostare l'elettrotensile da una parte all'altra. Questa procedura consente di evitare che il pezzo in lavorazione si scaldi troppo, cambi di colore e che si formino scanalature.

**TAGLIO**

- ▶ Non inclinare l'utensile al taglio.
- ▶ Muovere sempre l'utensile nella stessa direzione della freccia sulla testa dell'utensile, al fine di impedire che l'utensile venga spinto fuori dal taglio in modo non controllato.
- ▶ Non applicare pressione sull'utensile; lasciare che la velocità della mola faccia il lavoro.
- ▶ La velocità di lavoro della mola da taglio dipende dal materiale da tagliare.
- ▶ Non rompere le mole da taglio con pressione laterale.

**MANUTENZIONE**

Ispezioni e pulizia regolari riducono la necessità di operazioni di manutenzione e manterranno l'apparecchio in buone condizioni di funzionamento. Il motore deve essere correttamente ventilato durante l'uso dell'apparecchio. Per questo motivo, evitare di bloccare le prese d'aria.

**GARANZIA**

Questo prodotto è garantito in base alle regole della nazione di acquisto, garanzia valida dalla data di acquisto. Sono esclusi dalla garanzia i danni attribuibili alla normale usura, al sovraccarico o a una manipolazione scorretta. In caso di reclamo, inviare la macchina, completamente assemblata, al proprio rivenditore o a un centro assistenza per apparecchiature elettriche.

**ΕΛΛΗΝΙΚΑ****ΓΕΝΙΚΕΣ ΟΔΗΓΙΕΣ ΑΣΦΑΛΕΙΑΣ ΗΛΕΚΤΡΙΚΟΥ ΕΡΓΑΛΕΙΟΥ**

Διαβάστε όλες τις υποδείξεις ασφαλείας και τις οδηγίες. Αμέλειες κατά την τήρηση των υποδείξεων ασφαλείας και των οδηγιών μπορεί να προκαλέσουν ηλεκτροπληξία, πυρκαγιά ή/και σοβαρούς τραυματισμούς. Φυλάξτε όλες τις προειδοποιητικές υποδείξεις και οδηγίες για κάθε μελλοντική χρήση. Ο ορισμός «Ηλεκτρικό εργαλείο» που χρησιμοποιείται στις προειδοποιητικές υποδείξεις αναφέρεται σε ηλεκτρικά εργαλεία που τροφοδοτούνται από το ηλεκτρικό δίκτυο (με ηλεκτρικό καλώδιο) καθώς και σε ηλεκτρικά εργαλεία που τροφοδοτούνται από μπαταρία (χωρίς ηλεκτρικό καλώδιο).

**ΑΣΦΑΛΕΙΑ ΣΤΟ ΧΩΡΟ ΕΡΓΑΣΙΑΣ**

- ▶ Διατηρείτε τον τομέα που εργάζεστε καθαρό και καλά φωτισμένο. Αταξία ή σκοτεινές περιοχές εργασίας μπορεί να οδηγήσουν σε ατυχήματα.
- ▶ Μην εργάζεστε με το ηλεκτρικό εργαλείο σε περιβάλλον όπου υπάρχει κίνδυνος έκρηξης, στο οποίο υπάρχουν εύφλεκτα υγρά, αέρια ή σκόνης. Τα ηλεκτρικά εργαλεία δημιουργούν σπινθηρισμό ο οποίος μπορεί να αναφλέξει τη σκόνη ή τις αναθυμιάσεις.
- ▶ Όταν χρησιμοποιείτε το ηλεκτρικό εργαλείο κρατάτε μακριά από τα παιδιά κι άλλα τυχόν παρευρισκόμενα άτομα. Σε περίπτωση απόσπασης της προσοχής σας μπορεί να χάσετε τον έλεγχο του μηχανήματος.

**ΗΛΕΚΤΡΙΚΗ ΑΣΦΑΛΕΙΑ**

- ▶ Το φως του ηλεκτρικού εργαλείου πρέπει να ταιριάζει στην πρίζα. Δεν επιτρέπεται με κανέναν τρόπο η μετατροπή του φως. Μη χρησιμοποιείτε προσαρμοστικά φως σε συνδυασμό με γειωμένα ηλεκτρικά εργαλεία. Αμεταποίητα φως και κατάλληλες πρίζες μειώνουν τον κίνδυνο ηλεκτροπληξίας.
- ▶ Αποφεύγετε την επαφή του σώματός σας με γειωμένες επιφάνειες όπως σωλήνες, θερμαντικά σώματα (καλοριφέρ), κουζίνες ή ψυγεία. Όταν το σώμα σας είναι γειωμένο αυξάνεται ο κίνδυνος ηλεκτροπληξίας.
- ▶ Μην εκθέτετε τα μηχανήματα στη βροχή ή την υγρασία. Η διείσδυση νερού σ' ένα ηλεκτρικό εργαλείο αυξάνει τον κίνδυνο ηλεκτροπληξίας.
- ▶ Μη χρησιμοποιείτε το ηλεκτρικό καλώδιο για να μεταφέρετε ή να αναρτήσετε το ηλεκτρικό εργαλείο, ή για να βγάλετε το φως από την πρίζα. Κρατάτε το ηλεκτρικό καλώδιο μακριά από υπερβολικές θερμοκρασίες, κοφτερές ακμές και/ή από κινητά εξαρτήματα. Τυχόν χαλασμένα ή περιπλεγμένα ηλεκτρικά καλώδια αυξάνουν τον κίνδυνο ηλεκτροπληξίας.
- ▶ Όταν εργάζεστε μ' ένα ηλεκτρικό εργαλείο στο ύπαιθρο να χρησιμοποιείτε καλώδια επιμήκυνσης (μπαλαντζές) που είναι κατάλληλα και για χρήση στο ύπαιθρο. Η χρήση καλωδίων επιμήκυνσης κατάλληλων για υπαίθριους χώρους ελαττώνει τον κίνδυνο ηλεκτροπληξίας.
- ▶ Όταν η χρήση του ηλεκτρικού εργαλείου σε υγρά

περιβάλλον είναι αναπόφευκτη, τότε χρησιμοποιήστε έναν προστατευτικό διακόπτη διαρροής (διακόπτη FI/RCD). Η χρήση ενός προστατευτικού διακόπτη διαρροής ελαττώνει τον κίνδυνο ηλεκτροπληξίας.

### ΑΣΦΑΛΕΙΑ ΠΡΟΣΩΠΩΝ

- ▶ Να είστε πάντοτε προσεκτικός/προσεκτική, να δίνετε προσοχή στην εργασία που κάνετε και να χειρίζεστε το μηχανήμα με περίσκεψη. Μη χρησιμοποιήσετε ένα ηλεκτρικό εργαλείο όταν είστε κουρασμένος/κουρασμένη ή όταν βρίσκεστε υπό την επήρεια ναρκωτικών, οινόπνευματος ή φαρμάκων. Μια στιγμιαία απροσεξία κατά το χειρισμό του ηλεκτρικού εργαλείου μπορεί να οδηγήσει σε σοβαρούς τραυματισμούς.
- ▶ Φοράτε έναν κατάλληλο για σας προστατευτικό εξοπλισμό και πάντοτε προστατευτικά γυαλιά. Όταν φοράτε έναν κατάλληλο προστατευτικό εξοπλισμό όπως μάσκα προστασίας από σκόνη, αντιολισθητικά υποδήματα ασφαλείας, προστατευτικό κράνος ή ωασιπίδες, ανάλογα με το εκάστοτε εργαλείο και τη χρήση του, ελαττώνεται ο κίνδυνος τραυματισμών.
- ▶ Αποφεύγετε την αθέλητη εκκίνηση. Βεβαιωθείτε ότι ο διακόπτης του ηλεκτρικού εργαλείου είναι στη θέση OFF, πριν το συνδέσετε με το ηλεκτρικό δίκτυο ή με την μπαταρία καθώς και πριν το παραλάβετε ή το μεταφέρετε. Όταν μεταφέρετε το ηλεκτρικό εργαλείο έχοντας το δάχτυλό σας στο διακόπτη ή όταν συνδέσετε το μηχανήμα με την πηγή ρεύματος όταν αυτό είναι ακόμη στη θέση ON, τότε δημιουργείται κίνδυνος τραυματισμών.
- ▶ Αφαιρέστε από τα ηλεκτρικά εργαλεία τυχόν συναρμολογημένα εργαλεία ρύθμισης ή κλειδιά πριν θέσετε το ηλεκτρικό εργαλείο σε λειτουργία. Ένα εργαλείο ή κλειδί συναρμολογημένο σ' ένα περιστρεφόμενο τμήμα ενός μηχανήματος μπορεί να οδηγήσει σε τραυματισμούς.
- ▶ Μην υπερεκτιμάτε τον εαυτό σας. Φροντίστε για την ασφαλή στάση του σώματός σας και διατηρείτε πάντοτε την ισορροπία σας. Έτσι μπορείτε να ελέγξετε καλύτερα το μηχανήμα σε περιπτώσεις απροσδόκων περιστάσεων.
- ▶ Φοράτε κατάλληλα ενδύματα. Μη φοράτε φαρδιά ρούχα ή κοσμήματα. Κρατάτε τα μαλλιά σας, τα ρούχα σας και τα γάντια σας μακριά από κινούμενα εξαρτήματα. Χαλαρή ενδυμασία, κοσμήματα ή μακριά μαλλιά μπορεί να εμπλακούν στα κινούμενα εξαρτήματα.

### ΕΠΙΜΕΛΗΣ ΧΕΙΡΙΣΜΟΣ ΚΑΙ ΧΡΗΣΗ ΗΛΕΚΤΡΙΚΩΝ ΕΡΓΑΛΕΙΩΝ

- ▶ Μην υπερφορτώνετε το μηχανήμα. Χρησιμοποιείτε για την εκάστοτε εργασία το ηλεκτρικό εργαλείο που προορίζεται γι' αυτήν. Με το κατάλληλο ηλεκτρικό εργαλείο εργάζεστε καλύτερα και ασφαλέστερα στην αναφερόμενη περιοχή ισχύος.
- ▶ Μη χρησιμοποιήσετε ποτέ ένα μηχανήμα που έχει χαλασμένο διακόπτη. Ένα ηλεκτρικό εργαλείο που δεν μπορείτε πλέον να το θέσετε σε λειτουργία και/ή εκτός λειτουργίας είναι επικίνδυνο και πρέπει να επισκευαστεί.
- ▶ Βγάλτε το φως από την πρίζα πριν διεξάγετε στο

μηχάνημα μια οποιαδήποτε εργασία ρύθμισης, πριν αλλάξετε ένα εξάρτημα ή όταν πρόκειται να αποθηκεύσετε το μηχανήμα. Αυτά τα προληπτικά μέτρα ασφαλείας μειώνουν τον κίνδυνο από τυχόν αθέλητη εκκίνηση του ηλεκτρικού εργαλείου.

- ▶ Διαφυλάγετε τα ηλεκτρικά εργαλεία που δε χρησιμοποιείτε μακριά από παιδιά. Μην επιτρέψετε τη χρήση του μηχανήματος σε άτομα που δεν είναι εξοικειωμένα μ' αυτό ή δεν έχουν διαβάσει τις παρούσες οδηγίες. Τα ηλεκτρικά εργαλεία είναι επικίνδυνα όταν χρησιμοποιούνται από μη έμπειρα πρόσωπα.
- ▶ Να περιποιείστε προσεκτικά το ηλεκτρικό εργαλείο. Ελέγχετε, αν τα κινούμενα μέρη λειτουργούν άψογα, χωρίς να μπλοκάρουν, ή μήπως έχουν σπάσει ή φθαρεί τυχόν μέρη τα οποία επηρεάζουν τον τρόπο λειτουργίας του ηλεκτρικού εργαλείου. Δώστε το χαλασμένο ηλεκτρικό εργαλείο για επισκευή πριν το ξαναχρησιμοποιήσετε. Η κακή συντήρηση των ηλεκτρικών εργαλείων αποτελεί αιτία πολλών ατυχημάτων.
- ▶ Διατηρείτε τα εξαρτήματα κοπής κοφτερά και καθαρά. Προσεκτικά συντηρημένα κοπτικά εξαρτήματα αφαιρούν δυσκολότερα και οδηγούντα ευκολότερα.
- ▶ Χρησιμοποιείτε τα ηλεκτρικά εργαλεία, εξαρτήματα, παρελκόμενα εργαλεία κτλ. σύμφωνα με τις παρούσες οδηγίες. Λαμβάνετε επίσης υπόψη σας τις εκάστοτε συνθήκες και την υπό εκτέλεση εργασία. Η χρησιμοποίηση των ηλεκτρικών εργαλείων για εργασίες που δεν προβλέπονται γι' αυτά μπορεί να δημιουργήσει επικίνδυνες καταστάσεις.

### ΕΠΙΣΚΕΥΗ

Δώστε το ηλεκτρικό εργαλείο σας για επισκευή σε εξουσιοδοτημένο συνεργείο και χρησιμοποιείτε μόνο γνήσια. Έτσι εξασφαλίζετε τη διατήρηση της ασφάλειας του μηχανήματος.

### ΥΠΟΔΕΙΞΕΙΣ ΑΣΦΑΛΕΙΑΣ ΓΙΑ ΓΩΝΙΑΚΟΥΣ ΤΡΟΧΟΥΣ

#### ΚΟΙΝΕΣ ΠΡΟΕΙΔΟΠΟΙΗΤΙΚΕΣ ΑΠΟΔΕΙΞΕΙΣ, ΓΙΑ ΛΕΙΑΝΣΗ ΚΑΙ ΛΕΙΑΝΣΗ ΜΕ ΣΜΥΡΙΔΟΧΑΡΤΟ, ΓΙΑ ΕΡΓΑΣΙΕΣ ΜΕ ΣΥΡΜΑΤΟΒΟΥΤΣΕΣ ΚΑΙ ΓΙΑ ΕΡΓΑΣΙΕΣ ΚΟΠΗΣ

- ▶ Αυτό το λειαντικό εργαλείο πρέπει να χρησιμοποιείται σαν λειαντήρας και λειαντήρας με σμυριδόχαρτο, για εργασίες με σωματόβουρτσα καθαώς και σαν μηχανήμα κοπής. Να λαμβάνετε πάντοτε υπόψη σας όλες τις προειδοποιητικές υποδείξεις, τις οδηγίες, καθώς και τις απεικονίσεις και τα στοιχεία που σας παραδίδονται μαζί με το ηλεκτρικό εργαλείο. Η μη τήρηση των οδηγιών που ακολουθούν μπορεί να οδηγήσει σε ηλεκτροπληξία, φωτιά και/ή σε σοβαρούς τραυματισμούς.
- ▶ Αυτό το ηλεκτρικό εργαλείο δεν είναι κατάλληλο για στίβωση. Η χρήση του ηλεκτρικού εργαλείου σε εργασίες για τις οποίες αυτό δεν προβλέπεται, μπορεί να δημιουργήσει κινδύνους και να προκαλέσει τραυματισμούς.
- ▶ Μη χρησιμοποιήσετε ποτέ εξαρτήματα που δεν προβλέπονται και δεν προτάθηκαν από τον κατασκευαστή ειδικά γι' αυτό το ηλεκτρικό εργαλείο. Μόνο η διαπίστωση ότι μπορείτε να στερεώσετε



ένα εξάρτημα στο ηλεκτρικό εργαλείο σας δεν εγγυάται την ασφαλή χρήση του.

- ▶ Ο μέγιστος επιτρεπτός αριθμός στροφών του εργαλείου που χρησιμοποιείτε πρέπει να είναι τουλάχιστον τόσο υψηλός όσο ο μέγιστος αριθμός στροφών που αναφέρεται επάνω στο ηλεκτρικό εργαλείο. Εξαρτήματα που περιστρέφονται με ταχύτερη μεγαλύτερη από την επιτρεπτή μπορεί να καταστραφούν.
- ▶ Η εξωτερική διάμετρος και το πάχος του εργαλείου που χρησιμοποιείτε πρέπει να ανταποκρίνονται πλήρως στις αντίστοιχες διαστάσεις του ηλεκτρικού εργαλείου σας. Εργαλεία με εσφαλμένες διαστάσεις δεν μπορούν να καλυφθούν ή να ελεγχθούν ασφαλώς.
- ▶ Εργαλεία με βιδωτή υποδοχή πρέπει να ταιριάζουν ακριβώς στο σπείρωμα του άξονα. Στα εργαλεία που συναρμολογούνται με τη βοήθεια φλάντζας πρέπει η διάμετρος της τρύπας του εργαλείου να ταιριάζει στη διάμετρο της υποδοχής της φλάντζας. Εργαλεία που δεν μπορούν να στερεωθούν ακριβώς στο ηλεκτρικό εργαλείο περιστρέφονται ανομοιόμορφα, δονούνται ισχυρά και μπορεί να οδηγήσουν στην απώλεια του ελέγχου.
- ▶ Μη χρησιμοποιείτε χαλασμένα εργαλεία. Να ελέγχετε πάντοτε τα εργαλεία που πρόκειται να χρησιμοποιήσετε, π. χ. τους δίσκους κοπής για σπασίματα και ρωγμές, του δίσκους λείανσης για ρωγμές, φθορές ή ξεφτίσματα και τις συρματοβουρτσες για χαλαρά ή σπασμένα σύρματα. Σε περίπτωση που το ηλεκτρικό εργαλείο ή κάποιο εργαλείο πέσει κάτω, τότε ελέγξτε το εργαλείο μήπως έχει υποστεί κάποια βλάβη ή χρησιμοποιήστε ένα άλλο, άμωγο εργαλείο. Μετά τον έλεγχο και την τοποθέτηση του εργαλείου που πρόκειται να χρησιμοποιήσετε πρέπει να απομακρύνετε τυχόν παρειρισκόμενα πρόσωπα από το επίπεδο περιστροφής του εργαλείου, κι ακολουθώντας ν' αφήσετε το ηλεκτρικό εργαλείο να εργαστεί ένα λεπτό υπό το μέγιστο αριθμό στροφών χωρίς φορτίο. Τυχόν χαλασμένα εργαλεία σπάνε ως επί το πλείστον κατά τη διάρκεια αυτού του χρόνου δοκιμής.
- ▶ Να φοράτε πάντοτε τη δική σας, ατομική προστατευτική ενδυμασία. Να χρησιμοποιείτε επίσης, ανάλογα με την εκάστοτε εργασία που εκτελείτε, προστατευτικές μάσκες, προστατευτικές διατάξεις ματιών ή προστατευτικά γυαλιά. Αν χρειαστεί, φορέστε και μάσκα προστασίας από σκόνη, ιατροπίδες, προστατευτικά γάντια ή για ειδική προστατευτική ποδιά, που θα σας προστατεύει από τυχόν εκσφενδονιζόμενα λιπαντικά σωματίδια ή θραύσματα υλικού. Τα μάτια πρέπει να προστατεύονται από τυχόν αιωρούμενα σωματίδια που μπορεί δημιουργηθούν κατά την εκτέλεση των διαφόρων εργασιών. Οι αναπνευστικές και οι προστατευτικές μάσκες πρέπει να φιλτράρουν τον αέρα και να συγκρατούν τη σκόνη που δημιουργείται κατά την εργασία. Σε περίπτωση που θα εκτελείτε για πολύ χρόνο σε ισχυρό θόρυβο μπορεί να απωλέσετε την ακοή σας.
- ▶ Φροντίζετε, τυχόν παρειρισκόμενα άτομα να βρίσκονται πάντοτε σε ασφαλή απόσταση από τον τόμο που εργάζεσθε. Κάθε άτομο που μπαίνει στον τόμο που εργάζεσθε πρέπει να φορά προστατευτική ενδυμασία. Θραύσματα του υπό κατεργασία τε-

μαχίου ή σπασμένων εργαλείων μπορεί να εκσφενδονιστούν και να προκαλέσουν τραυματισμούς ακόμη κι εκτός του άμεσου τομέα εργασίας.

- ▶ Να κρατάτε το ηλεκτρικό εργαλείο μόνο από τις μονωμένες επιφάνειες συγκράτησης όταν υπάρχει κίνδυνος το εργαλείο να έρθει σε επαφή με μη ορατούς ηλεκτροφόρους αγωγούς. Η επαφή με έναν ηλεκτροφόρο αγωγό μπορεί να θέσει τα μεταλλικά μέρη του ηλεκτρικού εργαλείου επίσης υπό τάση και προκαλέσει έτσι ηλεκτροπληξία.
- ▶ Να κρατάτε και να οδηγείτε το ηλεκτρικό καλώδιο σε ασφαλή απόσταση από τα περιστρεφόμενα εργαλεία. Σε περίπτωση που χάσετε τον έλεγχο του ηλεκτρικού εργαλείου το ηλεκτρικό καλώδιο μπορεί να κοπεί ή να περιπλεκτεί και το χέρι σας ή το πρόσωπό σας να τραβηχτεί επάνω στο περιστρεφόμενο εργαλείο.
- ▶ Μην αποθέσετε ποτέ το ηλεκτρικό εργαλείο πριν το τοποθετημένο εργαλείο πάψει εντελώς να κινείται. Το περιστρεφόμενο εργαλείο μπορεί να έρθει σε επαφή με την επιφάνεια στην οποία ακουμπήσατε το ηλεκτρικό εργαλείο κι έτσι να χάσετε τον έλεγχο του.
- ▶ Μην αφήσετε ο ηλεκτρικό εργαλείο να εργάζεται όταν το μεταφέρετε. Τα ρούχα σας μπορεί να τυλιχτούν τυχαίως στο περιστρεφόμενο εργαλείο κι αυτό να τρυπήσει το σώμα σας.
- ▶ Να καθαρίζετε τακτικά τις σχισμές αερισμού του ηλεκτρικού εργαλείου σας. Η πτερωτή του κινητήρα τραβάει σκόνη μέσα στο περίβλημα και η συσσώρευση μεταλλικής σκόνης μπορεί να δημιουργήσει ηλεκτρικούς κινδύνους.
- ▶ Μη χρησιμοποιείτε το ηλεκτρικό εργαλείο κοντά σε εύφλεκτα υλικά. Ο σπινθηρισμός μπορεί να αναφλέξει.
- ▶ Μη χρησιμοποιείτε εργαλεία που απαιτούν ψύξη με ψυκτικά υγρά. Η χρήση νερού ή άλλων ψυκτικών υγρών μπορεί να οδηγήσει σε ηλεκτροπληξία.

## ΑΝΑΚΡΟΥΣΗ ΚΑΙ ΣΧΕΤΙΚΕΣ ΠΡΟΕΙΔΟΠΟΙΗΤΙΚΕΣ ΥΠΟΔΕΙΞΕΙΣ

Η ανάκρουση είναι μια απροσδόκητη αντίδραση όταν το περιστρεφόμενο εργαλείο, π.χ. ο δίσκος κοπής, ο δίσκος λείανσης, η συρματοβουρτσα κτλ., προσκρούσει κάπου (σκοντάψει) ή μπλοκάρει. Το σφίγνωμα ή το μπλοκάρισμα οδηγεί στην απότομη διακοπή της περιστροφής του εργαλείου. Έτσι, ένα τυχόν μη υπό έλεγχο ευρισκόμενο ηλεκτρικό εργαλείο αντιδρά στο σημείο μπλοκαρίσματος/πρόσκρουσης με σφοδρότητα και περιστρέφεται με συνεχώς αυξανόμενη ταχύτητα με φορά αντίθετη από εκείνη του εργαλείου. Όταν π.χ. ένας δίσκος κοπής σφηνώσει ή μπλοκάρει μέσα στο υπό κατεργασία υλικό, τότε η ακμή του δίσκου που βυθίζεται μέσα στο υλικό μπορεί να στρεβλώσει και ακολουθώς ο δίσκος κοπής να πεταχτεί με ορμή και ανεξέλεγκτα έξω από το υλικό ή να προκαλέσει ανάκρουση. Όταν συμβεί αυτό ο δίσκος κοπής κινείται με κατεύθυνση προς το χειριστή/τη χειρίστρια ή και αντίθετα, ανάλογα με τη φορά περιστροφής στο σημείο μπλοκαρίσματος. Σε τέτοιες περιπτώσεις δεν αποκλείεται ακόμη και το σπάσιμο των δίσκων κοπής. Η ανάκρουση είναι το αποτέλεσμα ενός εσφαλμένου ή ελλιπούς χειρισμού του ηλεκτρικού εργαλείου και μπορεί να αποφευχθεί με λήψη κατάλληλων προ-

ληπτικών μέτρων, σαν αυτά που περιγράφονται παρακάτω.

- ▶ Να κρατάτε το ηλεκτρικό εργαλείο πάντοτε καλά και να παίρνετε με το σώμα σας μόνο θέσεις, στις οποίες θα μπορούσατε να αντιμετωπίσετε επιτυχώς μια ενδεχόμενη ανάκρουση. Να χρησιμοποιείτε πάντοτε την πρόσθετη λαβή, αν αυτή φυσικά υπάρχει, για να εξασφαλίσετε έτσι το μέγιστο δυνατό έλεγχο του ηλεκτρικού εργαλείου σε περίπτωση εμφάνισης αναστροφών και αντίρροπων δυνάμεων (π. χ. ανάκρουση) κατά την εκκίνηση. Έτσι ο χειριστής/η χειρίστρια μπορεί να αντιμετωπίσει με επιτυχία τα κλοστήματα και τις αναστροφές ροπής.
- ▶ Μη βάζετε ποτέ τα χέρια σας κοντά στα περιστρεφόμενα εργαλεία. Σε περίπτωση ανάκρουσης το εργαλείο μπορεί να περάσει πάνω από το χέρι σας.
- ▶ Μην παίρνετε με το σώμα σας θέσεις προς τις οποίες θα κινηθεί το ηλεκτρικό εργαλείο σε περίπτωση ανάκρουσης. Κατά την ανάκρουση το ηλεκτρικό εργαλείο κινείται ανεξέλεγκτα με κατεύθυνση αντίθετη προς τη φορά περιστροφής του δίσκου λείανσης στο σημείο μπλοκαρίσματος.
- ▶ Να εργάζεσθε με ιδιαίτερη προσοχή σε γωνίες, κοφτερές ακμές κτλ. Φροντίζετε, το λειαντικό εργαλείο να μην ανατιναχτεί έξω από το υπό κατεργασία υλικό και να μη σφηνώσει σ' αυτό. Το περιστρεφόμενο λειαντικό εργαλείο σφηνώνει εύκολα κατά την εργασία σε γωνίες και σε κοφτερές ακμές ή όταν εκτινάσσεται. Αυτό προκαλεί ανάκρουση ή απώλεια του ελέγχου.
- ▶ Μη χρησιμοποιείτε τσαπραζωμένες ή οδοντωτές πριονόλαμες. Τα εργαλεία αυτά προκαλούν συχνά ανάκρουση ή οδηγούν σε απώλεια του ελέγχου του ηλεκτρικού εργαλείου.

#### **ΙΔΙΑΙΤΕΡΕΣ ΠΡΟΕΙΔΟΠΟΙΗΤΙΚΕΣ ΥΠΟΔΕΙΞΕΙΣ ΓΙΑ ΛΕΙΑΝΤΙΚΑ ΚΑΙ ΚΟΠΗ**

- ▶ Να χρησιμοποιείτε αποκλειστικά λειαντικά σώματα που είναι κατάλληλα για το ηλεκτρικό εργαλείο σας και μόνο προφυλακτικές που προβλέπονται γι' αυτά τα λειαντικά σώματα. Λειαντικά σώματα που δεν προβλέπονται για το ηλεκτρικό εργαλείο δεν μπορούν να καλυφτούν επαρκώς και γι' αυτό είναι ανασφαλή.
- ▶ Κυρτοί δίσκοι λείανσης πρέπει να συναρμολογούνται κατά τέτοιο τρόπο, ώστε η επιφάνεια λείανσης να καλύπτεται από τον προφυλακτήρα. Αντικατανοικά συναρμολογημένοι δίσκοι λείανσης, των οποίων η επιφάνεια λείανσης δεν καλύπτεται από τον προφυλακτήρα, δεν μπορούν να θωρακιστούν επαρκώς.
- ▶ Ο προφυλακτήρας πρέπει να συναρμολογηθεί ασφαλώς στο ηλεκτρικό εργαλείο και να τοποθετηθεί έτσι ώστε να προσφέρει τη μέγιστη εφικτή ασφάλεια, και ταυτόχρονα μόνο ένα όσο το δυνατό πιο μικρό τμήμα του λειαντικού εξαρτήματος να είναι ακάλυπτο. Ο προφυλακτήρας συμβάλλει στην προστασία του χειριστή από θραύσματα, ακούσια επαφή με το λειαντικό εξάρτημα καθώς και από σπινθήρισμό που θα μπορούσε να αναφλέξει τα ρούχα του.
- ▶ Τα λειαντικά σώματα πρέπει να χρησιμοποιούνται μόνο για τις εργασίες που αυτά προβλέπονται. Π. χ.: Μην λειάνετε ποτέ με την πλευρά ενός δίσκου κοπής. Οι δίσκοι κοπής προορίζονται για αφαίρεση

υλικού μόνο με την κόψη τους. Αυτά τα λειαντικά σώματα μπορεί να σπάσουν όταν υποστούν πίεση από τα πλάγια.

- ▶ Να χρησιμοποιείτε πάντοτε άμογες φλάντζες σύσφιξης με το σωστό μέγεθος και τη σωστή μορφή, ανάλογα με το δίσκο λείανσης που επιλέξατε. Οι κατάλληλες φλάντζες στηρίζουν το δίσκο λείανσης και μειώνουν έτσι τον κίνδυνο του σπασίματος του. Οι φλάντζες για δίσκους κοπής μπορεί να διαφέρουν από τις φλάντζες για άλλους δίσκους λείανσης.
- ▶ Να μη χρησιμοποιείτε μεταχειρισμένους δίσκους λείανσης από μεγαλύτερα ηλεκτρικά εργαλεία. Δίσκοι λείανσης για μεγαλύτερα λειαντικά εργαλεία δεν είναι κατάλληλοι για τους υψηλότερους αριθμούς στροφών των μικρότερων ηλεκτρικών εργαλείων και γι' αυτό μπορεί να σπάσουν.

#### **ΣΥΜΠΛΗΡΩΜΑΤΙΚΕΣ ΠΡΟΕΙΔΟΠΟΙΗΤΙΚΕΣ ΥΠΟΔΕΙΞΕΙΣ ΓΙΑ ΔΙΣΚΟΥΣ ΚΟΠΗΣ**

- ▶ Να αποφεύγετε το μπλοκάρισμα των δίσκων κοπής και/ή την άσκηση πολύ υψηλής πίεσης. Να μη διεξάγετε τόνες υπερβολικού βάρους. Η υπερβολική επιβάρυνση του δίσκου κοπής αυξάνει τη μηχανική παραμόρφωσή του και τον κίνδυνο στρέβλωσης κι έτσι και τις πιθανότητες κλοστήματος ή σπασίματος του λειαντικού σώματος.
- ▶ Να αποφεύγετε την περιοχή μπροστά και πίσω από τον περιστρεφόμενο δίσκο κοπής. Όταν σπρωχνετε το δίσκο κοπής μέσα στο υπό κατεργασία τεμάχιο τότε, σε περίπτωση κλοστήματος, το ηλεκτρικό εργαλείο με τον περιστρεφόμενο δίσκο μπορεί να εκσφενδονιστεί κατευθείαν επάνω σας.
- ▶ Όταν ο δίσκος κοπής μπλοκάρει ή όταν διακόπτετε την εργασία σας πρέπει να θέσετε το ηλεκτρικό εργαλείο εκτός λειτουργίας και ακολούθως να το κρατάτε ήρεμα μέχρι ο δίσκος κοπής να σταματήσει εντελώς να κινείται. Μην προσπαθήσετε ποτέ να βγάλετε το δίσκο κοπής από το υλικό όταν αυτός κινείται ακόμη, διαφορετικά υπάρχει κίνδυνος κλοστήματος. Εξακριβώστε κι εξουδετερώστε την αιτία του μπλοκαρίσματος.
- ▶ Μη θέσετε το ηλεκτρικό εργαλείο πάλι σε λειτουργία όσο ο δίσκος κοπής βρίσκεται ακόμη μέσα στο υπό κατεργασία τεμάχιο. Αφήστε το δίσκο κοπής να αποκτήσει το μέγιστο αριθμό στροφών πριν συνεχίσετε προσεκτικά την κοπή. Διαφορετικά ο δίσκος μπορεί να σφηνώσει, να πεταχτεί με ορμή έξω από το υπό κατεργασία υλικό ή να προκαλέσει ανάκρουση.
- ▶ Πλάκες, ή άλλα μεγάλα υπό κατεργασία τεμάχια, πρέπει να υποστηρίζονται για να ελαττωθεί ο κίνδυνος κλοστήματος από ένα τυχόν μπλοκαρισμένο δίσκο κοπής. Μεγάλα υπό κατεργασία τεμάχια μπορεί να λυγίσουν κάτω από το ίδιο τους το βάρος. Το υπό κατεργασία τεμάχιο πρέπει να υποστηριχτεί και στις δυο πλευρές του, και κοντά στην τομή κοπής και στο άκρο του.
- ▶ Να είστε ιδιαίτερα προσεκτικός/προσεκτική όταν διεξάγετε «κοπές βυθίσματος» σε τοίχους ή άλλους μη εποπτευόμενους τομείς. Ο βυθιζόμενος δίσκος κοπής μπορεί να κόψει σωλήνες φωταερίου (γκαζιού) ή νερού, ηλεκτρικές γραμμές ή αντικείμενα που μπορεί να προκαλέσουν ανάκρουση.

## ΙΔΙΑΙΤΕΡΕΣ ΠΡΟΕΙΔΟΠΟΙΗΤΙΚΕΣ ΥΠΟΔΕΙΞΙΣ ΓΙΑ ΕΡΓΑΣΙΕΣ ΛΕΙΑΝΣΗΣ ΜΕ ΣΜΥΡΙΔΟΧΑΡΤΟ

Μη χρησιμοποιείτε υπερμεγέθη σμυριδόχαρτα αλλά τηρείτε τις συστάσεις του κατασκευαστή για το μέγεθος των σμυριδόχαρτα. Σμυριδόχαρτα που προεξέχουν από το δίσκο λείανσης μπορεί να προκαλέσουν τραυματισμούς, να οδηγήσουν σε μπλοκάρισμα, να σκιστούν ή να προκαλέσουν ανάκρουση.

## ΙΔΙΑΙΤΕΡΕΣ ΠΡΟΕΙΔΟΠΟΙΗΤΙΚΕΣ ΥΠΟΔΕΙΞΙΣ ΓΙΑ ΕΡΓΑΣΙΕΣ ΜΕ ΣΥΡΜΑΤΟΒΟΥΡΤΣΕΣ

- ▶ Να λαμβάνετε πάντοτε υπόψη σας ότι οι συρματόβουρτσες χάνουν σύρματα κατά τη διάρκεια της κανονικής τους χρήσης. Να μην ασκείτε υπερβολική πίεση για να μην επιβαρύνονται υπερβολικά τα σύρματα. Τυχόν εκσφενδονιζόμενα τεμάχια συρμάτων μπορεί να διατρυπήσουν όχι μόνο λεπτά ρούχα αλλά και/ή το δέρμα σας.
- ▶ Όταν προτείνεται η χρήση προφυλακτήρα πρέπει να φροντίσετε, τα σύρματα της βούρτσας να μην εγγίζουν τον προφυλακτήρα. Η διάμετρος των δισκοειδών και των ποτηροειδών βουρτσών μπορεί να μεγαλώσει εξαιτίας της ασκούμενης πίεσης και της ανάπτυξης κεντρόφυγων δυνάμεων.

## ΣΥΜΠΛΗΡΩΜΑΤΙΚΕΣ ΠΡΟΕΙΔΟΠΟΙΗΤΙΚΕΣ ΥΠΟΔΕΙΞΙΣ

- ▶ Φοράτε προστατευτικά γυαλιά.
- ▶ Χρησιμοποιείτε κατάλληλες ανικνευτικές συσκευές για να εντοπίσετε τυχόν μη ορατές τροφοδοτικές γραμμές ή να συμβουλευέστε την τοπική εταιρία παροχής ενέργειας. Η επαφή με ηλεκτρικές γραμμές μπορεί να οδηγήσει σε πυρκαγιά και ηλεκτροπληξία. Η πρόκληση ζημιάς σ' έναν αγωγό φωταερίου (γκαζιού) μπορεί να οδηγήσει σε έκρηξη. Το τρύπημα ενός σωλήνα νερού προκαλεί ζημιά σε πράγματα ή/και μπορεί να οδηγήσει σε ηλεκτροπληξία.
- ▶ Απομονδαλώστε το διακόπτη ON/OFF και θέστε τον στη θέση OFF σε περίπτωση που διακοπεί η τροφοδοσία με ηλεκτρικό ρεύμα, π. χ. λόγω διακοπής του ηλεκτρικού ρεύματος ή επειδή βγήκε το φως από την πρίζα.
- ▶ Να μην πιάνετε τους δίσκους λείανσης και κοπής πριν κρυσώσουν. Κατά την εργασία οι δίσκοι θερμαίνονται υπερβολικά.
- ▶ Ασφαλιζετε το υπό κατεργασία τεμάχιο. Ένα υπό κατεργασία τεμάχιο συγκρατείται ασφαλέστερα με μια διάταξη σύσφιγξης ή με μια μέγνηνη παρά με το χέρι σας.

## ΣΥΝΔΕΣΗ ΜΕ ΤΗΝ ΠΑΡΟΧΗ ΡΕΥΜΑΤΟΣ

Βεβαιωθείτε ότι οι πληροφορίες τροφοδοσίας στην πινακίδα του μηχανήματος είναι συμβατές με την τροφοδοσία ρεύματος στην οποία σκοπεύετε να το συνδέσετε.

Αυτή η συσκευή είναι Κλάσης II και έχει σχεδιαστεί για σύνδεση με παροχή ρεύματος που ταιριάζει με αυτή που αναγράφεται στην πινακίδα και είναι συμβατή με την πρίζα. Εάν απαιτείται καλώδιο επέκτασης, χρησιμοποιήστε ένα εγκεκριμένο και συμβατό καλώδιο για αυτή τη συσκευή. Ακολουθήστε όλες τις οδηγίες που παρέχονται με το καλώδιο επέκτασης.

## ΟΔΗΓΙΕΣ ΧΡΗΣΗΣ ΚΑΛΩΔΙΟΥ ΕΠΕΚΤΑΣΗΣ

- ▶ Σιγουρευτείτε ότι το καλώδιο επέκτασης σας είναι σε καλή κατάσταση. Όταν χρησιμοποιείτε ένα καλώδιο επέκτασης, επιβεβαιώστε ότι είναι αρκετά δυνατό στο να σηκώσει το ρεύμα που χρειάζεται το εργαλείο σας. Ένα μικρότερο καλώδιο θα προκαλέσει πτώση της τάσης με αποτέλεσμα την απώλεια ισχύος και υπερθέρμανση.
- ▶ Βεβαιωθείτε ότι το καλώδιο επέκτασης είναι σωστά συνδεδεμένο. Να το αντικαθιστάτε πάντα αν είναι κατεστραμμένο ή να το επισκευάζετε από ειδικευμένο άτομο πριν το χρησιμοποιήσετε.
- ▶ Προστατέψτε το καλώδιο επέκτασης από αιχμηρά αντικείμενα, υπερβολική θερμότητα, υγρασία και βρεγμένες περιοχές.
- ▶ Χρησιμοποιήστε ένα ξεχωριστό ηλεκτρικό κύκλωμα για τα εργαλεία σας. Αυτό το κύκλωμα πρέπει να προστατεύεται με την κατάλληλη ασφάλεια με χρονική καθυστέρηση. Πριν συνδέσετε τον ηλεκτροκινητήρα στη γραμμή ηλεκτρικού ρεύματος, βεβαιωθείτε ότι ο διακόπτης είναι στη θέση OFF και ότι η ηλεκτρική τάση είναι ίδια με την τάση που έχει εισημανθεί στην πινακίδα του κινητήρα. Η λειτουργία σε χαμηλότερη τάση θα προκαλέσει βλάβη στον κινητήρα.

## ΧΑΡΑΚΤΗΡΙΣΤΙΚΑ ΠΡΟΪΟΝΤΟΣ

### ΠΡΟΒΛΕΠΟΜΕΝΗ ΧΡΗΣΗ

Το ηλεκτρικό εργαλείο προορίζεται για την κοπή, το ξεχόντρισμα και το βούρτσισμα μετάλλων, ορυκτών υλικών χωρίς τη χρήση νερού.

### ΤΕΧΝΙΚΑ ΧΑΡΑΚΤΗΡΙΣΤΙΚΑ

Κωδικός Είδους	44 826	44 827
<b>Μοντέλο AG 125/PRO</b>	<b>1100E</b>	<b>1200EC</b>
Όνομαστική Τάση	V	220-240
	Hz	50/60
Όνομαστική ισχύς	W	1.100 1.200
	min <sup>-1</sup>	4.000-12.200
Μέγιστη διάμετρος δίσκου λείανσης	mm	125
Σπείρωμα άξονα		M14
Βάρος	kg	2,0 2,1

### Τιμές εκπομπής θορύβου, υπολογισμένες κατά EN 60745-1, EN 60745-2-3

Η χαρακτηριστική στάθμη θορύβου του μηχανήματος εξακριβώθηκε σύμφωνα με την καμπύλη A και ανέρχεται σε:

Στάθμη ακουστικής πίεσης	dB(A)	90,2
Στάθμη ακουστικής ισχύος	dB(A)	101,2
Ανασφάλεια K	dB	3

**Οι συνολικές τιμές κραδασμών  $a_v$  (άθροισμα ανυπαρκών τριών κατευθύνσεων) και αναφορά για Κ εξακριβώθηκαν σύμφωνα με το πρότυπο EN 60745-1, EN 60745-2-3**

#### Επίπεδο δόνησης:

$a_{h,AG}$	m/s <sup>2</sup>	9,063
K	m/s <sup>2</sup>	1,5

## ΠΛΗΡΟΦΟΡΙΕΣ ΓΙΑ ΘΟΥΡΥΒΟ ΚΑΙ ΔΟΝΗΣΕΙΣ

Η στάθμη κραδασμών που αναφέρεται σ' αυτές τις οδηγίες έχει μετρηθεί σύμφωνα με μια διαδικασία μέτρησης τυποποιημένη στο πρότυπο EN 60745 και μπορεί να χρησιμοποιηθεί για τη σύγκριση διαφόρων ηλεκτρικών εργαλείων. Είναι επίσης κατάλληλη για έναν προσωρινό υπολογισμό της επιβάρυνσης από τους κραδασμούς.

Η στάθμη κραδασμών που αναφέρεται αντιπροσωπεύει τις βασικές χρήσεις του ηλεκτρικού εργαλείου. Σε περίπτωση όμως που το ηλεκτρικό εργαλείο χρησιμοποιείται για άλλες εφαρμογές, με διαφορετική αποκλίνοντα εξαρτήματα ή χωρίς επαρκή συντήρηση, τότε η στάθμη κραδασμών μπορεί να αποκλίνει και αυτή. Αυτό μπορεί να αυξήσει σημαντικά την επιβάρυνση από τους κραδασμούς κατά τη συνολική διάρκεια ολόκληρου του χρονικού διαστήματος που εργάζεσθε.

Για την ακριβή εκτίμηση της επιβάρυνσης από τους κραδασμούς θα πρέπει να λαμβάνονται επίσης υπόψη και οι χρόνοι κατά τη διάρκεια των οποίων το εργαλείο βρίσκεται εκτός λειτουργίας ή λειτουργεί, χωρίς όμως στην πραγματικότητα να χρησιμοποιείται. Αυτό μπορεί να μειώσει σημαντικά την επιβάρυνση από τους κραδασμούς κατά τη διάρκεια ολόκληρου του χρονικού διαστήματος που εργάζεσθε.

Γ' αυτό, πριν αρχίσει η δράση των κραδασμών, πρέπει να καθορίζετε συμπληρωματικά μέτρα ασφαλείας για την προστασία του χειριστή όπως: Συντήρηση του ηλεκτρικού εργαλείου και των εξαρτημάτων που χρησιμοποιείτε, διατήρηση ζεστών των χεριών, οργάνωση της εκτέλεσης των διάφορων εργασιών.

## ΣΤΟΙΧΕΙΑ ΠΡΟΪΟΝΤΟΣ

1. Διακόπτης ON/OFF
2. Πλήκτρο μανδάλωσης άξονα
3. Πρόσθετη λαβή
4. Προφυλακτήρας
5. Μοχλός απομανδάλωσης για τον προφυλακτήρα
6. Ατρακτος
7. Φλάντζα σύσφιξης
8. Γαλλικό κλειδί
9. Φλάντζα στερέωσης
10. Τροχίσκος ρύθμισης της προεπιλογής του αριθμού στροφών

## ΛΕΙΤΟΥΡΓΙΑ

### ΤΟΠΟΘΕΤΗΣΗ ΕΞΑΡΤΗΜΑΤΩΝ (Ε)

- ▶ Καθαρίστε την άτρακτο **(6)** και όλα τα εξαρτήματα που πρόκειται να συναρμολογηθούν
- ▶ Σφίξτε τη φλάντζα σύσφιξης **(7)** χρησιμοποιώντας το κλειδί **(8)**, πιέζοντας ταυτόχρονα το κουμπί ασφάλισης της άτρακτου **(6)**.
- ▶ Για την αφαίρεση των εξαρτημάτων, εργαστείτε στην αντίστροφη σειρά

### ΤΟΠΟΘΕΤΗΣΗ ΤΗΣ ΠΛΕΥΡΙΚΗΣ ΛΑΒΗΣ (C)

Συναρμολογήστε την πρόσθετη λαβή **(3)**, ανάλογα με τον εκάστοτε τρόπο εργασίας, στη δεξιά ή την αριστερή πλευρά της κεφαλής του συμπλέκτη.

### ΑΦΑΙΡΕΣΗ / ΤΟΠΟΘΕΤΗΣΗ / ΡΥΘΜΙΣΗ ΤΟΥ ΠΡΟΦΥΛΑΚΤΗΡΑ (B)

- ▶ Ανοίξτε τον προφυλακτήρα ξεσφίγγοντας τη βίδα **(5)**.
- ▶ Τοποθετήστε τον προφυλακτήρα **(4)** στη στεφάνη της άτρακτου και γυρίστε τον προς την επιθυμητή θέση (ανάλογα με την εργασία που έχετε να κάνετε).
- ▶ Ρυθμίστε τον προφυλακτήρα **(4)** πιέζοντας το μοχλό **(5)**.

### ΠΡΟΤΟΥ ΧΡΗΣΙΜΟΠΟΙΗΣΕΤΕ ΤΟ ΕΡΓΑΛΕΙΟ

- ▶ Βεβαιωθείτε ότι το εξάρτημα έχει τοποθετηθεί σωστά και έχει σφικτεί στη θέση του.
- ▶ Ελέγξτε ότι το εξάρτημα λειτουργεί ανεμπόδιστα περιστρέφοντας το με το χέρι.
- ▶ Δοκιμάστε το εργαλείο τουλάχιστον για 60 δευτερόλεπτα δουλεύοντας το στη μέγιστη ταχύτητα χωρίς φορτίο, από ασφαλή θέση.
- ▶ Σταματήστε αμέσως το εργαλείο σε περίπτωση σοβαρής δόνησης ή άλλης ελαττωματικής λειτουργίας και ελέγξτε το για να εξακριβωθεί η αιτία.

### ΘΕΣΗ ΣΕ ΛΕΙΤΟΥΡΓΙΑ ΚΙ ΕΚΤΟΣ ΛΕΙΤΟΥΡΓΙΑΣ (D)

- ▶ Για να θέσετε σε λειτουργία το ηλεκτρικό εργαλείο σπρώξτε τον διακόπτη On/Off **(1)** προς τα εμπρός.
- ▶ Για τη σταθεροποίηση του διακόπτη On/Off **(1)** πατήστε τον διακόπτη On/Off **(1)** εμπρός προς τα κάτω, μέχρι να ασφαλίσει.
- ▶ Για την απενεργοποίηση του ηλεκτρικού εργαλείου αφήστε τον διακόπτη On/Off **(1)** ελεύθερο ή όταν ήταν κλειδωμένος, πατήστε σύντομα τον διακόπτη On/Off **(01)** και αφήστε τον μετά ελεύθερο.

### ΠΡΟΕΠΙΛΟΓΗ ΤΟΥ ΑΡΙΘΜΟΥ ΣΤΡΟΦΩΝ

Με τον τροχίσκο ρύθμισης της προεπιλογής του αριθμού στροφών **(10)**, μπορείτε να προεπιλέξετε τον απαιτούμενο αριθμό στροφών επίσης και κατά τη διάρκεια της λειτουργίας. Τα στοιχεία στον πίνακα που ακολουθεί αποτελούν μόνο προτεινόμενες τιμές.

### ΤΡΟΧΙΣΜΑ

Με γωνία προσβολής 30° έως 40° επιτυγχάνετε κατά το ξεχόνδρισμα άριστα αποτελέσματα. Κινείτε το ηλεκτρικό εργαλείο «από δω κι από κε» ασκώντας μέτρια πίεση. Έτσι το υπό καταργασία τεμάχιο δε θερμαίνεται υπερβολικά, δεν αλλάζει χρώμα και δε δημιουργούνται αυλάκωσεις.

### ΚΟΠΗ

- ▶ Όταν κόβετε μη γέρνετε το εργαλείο.
- ▶ Το εργαλείο θα πρέπει να κινείται προς την κατεύθυνση που δείχνει το βέλος στην κεφαλή του εργαλείου, για να μην χάσετε τον έλεγχο του εργαλείου με αποτέλεσμα να βγει το εργαλείο έξω από την εγκοπή
- ▶ Μην ασκείτε πίεση στο εργαλείο, αφήστε την ταχύτητα του δίσκου κοπής να κάνει τη δουλειά για σας
- ▶ Η ταχύτητα εργασίας του δίσκου κοπής εξαρτάται από το υλικό που κόβετε

- ▶ Μην προσπαθείτε να σταματήσετε τον δίσκο κοπής ασκώντας πλάγια πίεση

### ΣΥΝΤΗΡΗΣΗ

Η τακτική επιθεώρηση και ο καθαρισμός μειώνουν την ανάγκη για εργασίες συντήρησης και θα διατηρήσει το εργαλείο σας σε καλή λειτουργική κατάσταση. Ο κινητήρας πρέπει να αερίζεται σωστά κατά τη λειτουργία του εργαλείου. Για το λόγο αυτό αποφύγετε την παρεμπόδιση των εισόδων αέρα.

### ΠΡΟΣΤΑΣΙΑ ΠΕΡΙΒΑΛΛΟΝΤΟΣ

Ανακυκλώστε τις πρώτες ύλες αντί να απορρίψετε ως απόβλητα. Το εργαλείο, τα αξεσουάρ και η συσκευασία πρέπει να ταξινομούνται για φιλική προς το περιβάλλον ανακύκλωση. Αυτές οι οδηγίες εκτυπώνονται χωρίς κλώριο. Τα πλαστικά εξαρτήματα φέρουν ετικέτα για ταξινόμηση ανακύκλωσης.

### ΕΓΓΥΗΣΗ

Αυτό το προϊόν είναι εγγυημένο σύμφωνα με τους νομικούς κανονισμούς, που ισχύουν από την ημερομηνία αγοράς από τον πρώτο χρήστη. Οι ζημιές που οφείλονται στην φυσιολογική φθορά, υπερφόρτωση ή ακατάλληλο χειρισμό εξαιρούνται από την εγγύηση. Σε περίπτωση απαίτησης, στείλτε το εργαλείο, πλήρως συναρμολογημένο, στον αντιπρόσωπό σας ή στο εξουσιοδοτημένο σέρβις για ηλεκτρικά εργαλεία.

## SRPSKI

### ΟΠՔՏԱ ԱՍՕԶՈՐԵՆՅԱ ԶԱ ԷԼԵԿՏՐԻՇՆԵ ԱԼԱՏԵ

Ընդհանուր ստորադասակարգում և ցուցանիշներով. Ստորադասակարգում և ցուցանիշներով. Ստորադասակարգում և ցուցանիշներով. Ստորադասակարգում և ցուցանիշներով. Ստորադասակարգում և ցուցանիշներով.

Ընդհանուր ստորադասակարգում և ցուցանիշներով. Ստորադասակարգում և ցուցանիշներով. Ստորադասակարգում և ցուցանիշներով. Ստորադասակարգում և ցուցանիշներով. Ստորադասակարգում և ցուցանիշներով.

### ՏԻՍՈՒՄՆԵՐԻ ՄԵՏՆԵՐԻ ՄԵՏՆԵՐԻ

- ▶ Ընդհանուր ստորադասակարգում և ցուցանիշներով. Ստորադասակարգում և ցուցանիշներով. Ստորադասակարգում և ցուցանիշներով. Ստորադասակարգում և ցուցանիշներով. Ստորադասակարգում և ցուցանիշներով.
- ▶ Մեծ հարմարություններով և ցուցանիշներով. Ստորադասակարգում և ցուցանիշներով. Ստորադասակարգում և ցուցանիշներով. Ստորադասակարգում և ցուցանիշներով. Ստորադասակարգում և ցուցանիշներով.
- ▶ Ընդհանուր ստորադասակարգում և ցուցանիշներով. Ստորադասակարգում և ցուցանիշներով. Ստորադասակարգում և ցուցանիշներով. Ստորադասակարգում և ցուցանիշներով. Ստորադասակարգում և ցուցանիշներով.

### ԷԼԵԿՏՐԻՇՆԱԿԱՆ ՏԻՍՈՒՄՆԵՐԻ

- ▶ Ստորադասակարգում և ցուցանիշներով. Ստորադասակարգում և ցուցանիշներով. Ստորադասակարգում և ցուցանիշներով. Ստորադասակարգում և ցուցանիշներով. Ստորադասակարգում և ցուցանիշներով.
- ▶ Ընդհանուր ստորադասակարգում և ցուցանիշներով. Ստորադասակարգում և ցուցանիշներով. Ստորադասակարգում և ցուցանիշներով. Ստորադասակարգում և ցուցանիշներով. Ստորադասակարգում և ցուցանիշներով.
- ▶ Ընդհանուր ստորադասակարգում և ցուցանիշներով. Ստորադասակարգում և ցուցանիշներով. Ստորադասակարգում և ցուցանիշներով. Ստորադասակարգում և ցուցանիշներով. Ստորադասակարգում և ցուցանիշներով.
- ▶ Ընդհանուր ստորադասակարգում և ցուցանիշներով. Ստորադասակարգում և ցուցանիշներով. Ստորադասակարգում և ցուցանիշներով. Ստորադասակարգում և ցուցանիշներով. Ստորադասակարգում և ցուցանիշներով.
- ▶ Ընդհանուր ստորադասակարգում և ցուցանիշներով. Ստորադասակարգում և ցուցանիշներով. Ստորադասակարգում և ցուցանիշներով. Ստորադասակարգում և ցուցանիշներով. Ստորադասակարգում և ցուցանիշներով.
- ▶ Ընդհանուր ստորադասակարգում և ցուցանիշներով. Ստորադասակարգում և ցուցանիշներով. Ստորադասակարգում և ցուցանիշներով. Ստորադասակարգում և ցուցանիշներով. Ստորադասակարգում և ցուցանիշներով.
- ▶ Ընդհանուր ստորադասակարգում և ցուցանիշներով. Ստորադասակարգում և ցուցանիշներով. Ստորադասակարգում և ցուցանիշներով. Ստորադասակարգում և ցուցանիշներով. Ստորադասակարգում և ցուցանիշներով.
- ▶ Ընդհանուր ստորադասակարգում և ցուցանիշներով. Ստորադասակարգում և ցուցանիշներով. Ստորադասակարգում և ցուցանիշներով. Ստորադասակարգում և ցուցանիշներով. Ստորադասակարգում և ցուցանիշներով.
- ▶ Ընդհանուր ստորադասակարգում և ցուցանիշներով. Ստորադասակարգում և ցուցանիշներով. Ստորադասակարգում և ցուցանիշներով. Ստորադասակարգում և ցուցանիշներով. Ստորադասակարգում և ցուցանիշներով.
- ▶ Ընդհանուր ստորադասակարգում և ցուցանիշներով. Ստորադասակարգում և ցուցանիշներով. Ստորադասակարգում և ցուցանիշներով. Ստորադասակարգում և ցուցանիշներով. Ստորադասակարգում և ցուցանիշներով.

### ՏԻՍՈՒՄՆԵՐԻ ՕՍՈՒԼՅԱԿԱՆ

- ▶ Ընդհանուր ստորադասակարգում և ցուցանիշներով. Ստորադասակարգում և ցուցանիշներով. Ստորադասակարգում և ցուցանիշներով. Ստորադասակարգում և ցուցանիշներով. Ստորադասակարգում և ցուցանիշներով.
- ▶ Ընդհանուր ստորադասակարգում և ցուցանիշներով. Ստորադասակարգում և ցուցանիշներով. Ստորադասակարգում և ցուցանիշներով. Ստորադասակարգում և ցուցանիշներով. Ստորադասակարգում և ցուցանիշներով.
- ▶ Ընդհանուր ստորադասակարգում և ցուցանիշներով. Ստորադասակարգում և ցուցանիշներով. Ստորադասակարգում և ցուցանիշներով. Ստորադասակարգում և ցուցանիշներով. Ստորադասակարգում և ցուցանիշներով.

štiti šlem ili zaštitu za sluh, zavisno od vrste i upotrebe električnog alata, smanjuju rizik od povreda.

- ▶ Izbegavajte nenamerno puštanje u rad. Uverite se da je električni alat isključen, pre nego što ga priključite na struju i/ili na akumulator, uzmete ga ili nosite. Ako prilikom nošenja električnog alata držite prst na prekidaču ili aparat uključen priključujete na struju, može ovo voditi nesrećama.
- ▶ Uklonite alate za podešavanje ili ključeve za zavrtanje, pre nego što uključite električni alat. Neki alat ili ključ koji se nalazi u rotirajućem delu aparata, može voditi nesrećama.
- ▶ Izbegavajte nenormalno držanje tela. Pobrinite se uvek da stabilno stojite i održavajte u svako doba ravnotežu. Na taj način možete bolje kontrolisati električni alat u neočekivanim situacijama.
- ▶ Nosite pogodnu odeću. Ne nosite široku odeću ili nakit. Držite kosu, odeću i rukavice dalje od pokretnih delova. Opušteno odelo, dugu kosu ili nakit mogu zahvatiti rotirajući delovi.

### BRILJIVA UPOTREBA I OPHODJENJE SA ELEKTRIČNIM ALATIMA

- ▶ **Ne preopterećujte aparat. Upotrebljavajte za Vaš posao** električni alat određen za to. Sa odgovarajućim električnim alatom radite bolje i sigurnije u navedenom području rada.
- ▶ Ne koristite nikakav električni alat čiji je prekidač u kvaru. Električni alat koji se ne može više uključiti ili isključiti, je opasan i mora se popraviti.
- ▶ Izvucite utikač iz utičnice i/ili uklonite akumulator pre nego što preduzmete podešavanja na aparatu, promenu delova pribora ili ostavite aparat. Ova mera opreza sprečava nenamernan start električnog alata.
- ▶ Čuvajte nekorišćene električne alate izvan doma dece. Ne dozvoljavajte korišćenje aparata osobama koje ne poznaju aparat ili nisu pročitale ova uputstva. Električni alati su opasni, kada ih koriste neiskusne osobe.
- ▶ Održavajte brižljivo električni alat. Kontrolišite da li pokretni delovi aparata besprekorno funkcionišu i ne „lepe“, da li su delovi polomljeni ili su tako oštećeni da je oštećena funkcija električnog alata. Popravite ove oštećene delove pre upotrebe. Mnoge nesreće imaju svoje uzroke u loše održavanim električnim alatima.
- ▶ Održavajte alate za sečenja oštre i čiste. Brižljivo održavani alati za sečenja sa oštrim ivicama manje „slepljuju“ i lakše se vode.
- ▶ Upotrebljavajte električni alat, pribor, alate koji se umeću itd. prema ovim uputstvima. Obratite pažnju pritom na uslove rada i posao koji morate obaviti. Upotreba električnih alata za druge namene koje nisu predviđene, može voditi opasnim situacijama.

### SERVISI

Neka Vam Vaš električni alat popravlja samo kvalifikovano osoblje i samo sa originalnim rezervnim delovima. Tako se obezbeđuje, da ostane sačuvana sigurnost aparata.

## SIGURNOSNA UPUTSTVA ZA UGAONE BRUSILICE

### STANDARDNA BEZBEDNOSNA UPOZORENJA ZA OPERACIJE BRUŠENJA, ŠMIRGLANJA, BRUŠENJA ŽIČANOM ČETKOM ILI ABRAZIVNOG SEČENJA

- ▶ Ovaj električni alat je namenjen da radi kao brusilica, žičana četka ili alat za sečenje. Pročitajte sva sigurnosna upozorenja, uputstva, ilustracije i specifikacije isporučene uz ovaj električni alat. Propusti kod pridržavanja svih dole navedenih uputstava mogu imati za posledicu električni udar, požar i/ili teške povrede.
- ▶ Nije preporučljivo da se operacije kao što je poliranje obavljaju ovim električnim alatom. Operacije za koje električni alat nije predviđen mogu stvoriti rizik i izazvati lične povrede.
- ▶ Ne koristite dodatni pribor koji nije posebno dizajniran u preporučen od strane proizvođača alata. Sama činjenica da se dodatak može pričakati na električni alat, ne garantuje bezbedan rad.
- ▶ Nominalna brzina pribora mora biti barem jednaka maksimalnoj brzini označenoj na električnom alatu. Pribor koji radi pri brzini većoj od nominalne se može slomiti i razleteti okolo.
- ▶ Spoljašnji prečnik i debljina pribora moraju biti u okviru navedenih kapaciteta vašeg električnog alata. Pribor neodgovarajuće veličine se ne može zaštititi niti kontrolisati na adekvatan način.
- ▶ Navojni nosač pribora mora da odgovara navoju osovine brusilice. Za pribor koji se montira za pribornice, rupa za osovinu pribora mora da odgovara prečniku lociranja pribornice. Kod pribora koji ne odgovara potpornom hardveru električnog alata može doći do gubitka balansa, prekomernog vibriranja, što može izazvati gubitak kontrole.
- ▶ Ne koristite oštećeni dodatni pribor. Pre svakog korišćenja proverite da li na dodatnom priboru, kao što su abrazivni diskovi ima naprslina i krhotina, na potpornoj podloški pukotina, poderotina ili prekomernog habanja, na žičanoj četki olabavljenih ili napuklih žica. Ako dođe do ispuštanja električnog alat ili pribora, proverite da li ima oštećenja il postavite neoštećeni dodatni pribor. Nakon provere i postavljanja dodatnog pribora, potrebno je da vi i posmatrač stanete dalje od rotacionog pribora i da pokrenete električni alat na maksimalnoj brzini bez opterećenja na jedan minut. Oštećeni pribor će se u normalnim uslovima slomiti tokom ovog probnog perioda.
- ▶ Nosite ličnu zaštitnu opremu. U zavisnosti od primene, koristite štitnik za lice, zaštitne manje ili veće naočare. Prema potrebi, nosite masku za prašinu, zaštitu za sluh, rukavice i radnu kecelju koja može da zaustavi male abrazivne ili fragmente predmeta obrade. Zaštita za oči mora imati sposobnost da zaustavi leteće krhotine koje se stvaraju u raznim zahvatima. Maska za prašinu ili respirator mora imati sposobnost da filtrira čestice koje se stvaraju prilikom rada. Produžena izloženost buci visokog intenziteta može izazvati oštećenje sluha.
- ▶ Držite posmatrača na sigurnoj udaljenosti od područja rada. Svako ko stupa na područje rada mora nositi ličnu zaštitnu opremu. Fragmenti predmeta obrade ili slomljenog pribora mogu se razleteti i izazvati povredu izvan neposredne zone rada.
- ▶ Električni alat držite za izlozene prihvatne površine prilikom izvođenja operacije gde rezni pribor može

doći u kontakt sa skrivenim žicama ili sopstvenim kablom. Rezni pribor koji dođe u kontakt sa provodnom žicom može dovesti do toga da izloženi metalni delovi električnog alata postanu provodnici što rukovaoca može izložiti električnom udarcu.

- ▶ Kabl pozicionirajte van putanje rotacionog pribora. Ukoliko izgubite kontrolu, kabl se može iseći ili zakačiti i vaša šaka ili ruka može biti povučena u rotacioni pribor.
- ▶ Nikada ne spuštajte alat dok se pribor potpuno ne zaustavi. Rotacioni pribor može zahvatiti površinu i otrgnuti se vašoj kontroli.
- ▶ Ne pokrećite električni alat dok ga nosite sa sobom. Slučajan kontakt sa rotacionim priborom može zakačiti vašu odeću, povlačeći tako pribor ka vašem telu.
- ▶ Redovno čistite ventilacione otvore na električnom alatu. Ventilator motora će uvlačiti prašinu u kućište, a prekomerna akumulacija metala u prahu može izazvati električni rizik.
- ▶ Ne rukujte električnim alatom u blizini zapaljivih materijala. Varnice mogu zapaliti takav materijal.
- ▶ Ne koristite pribor koji zahteva tečna rashladna sredstva. Korišćenje vode ili drugih tečnih rashladnih sredstava može rezultirati smrću ili električnim udarom.

#### POVRATNI UDARAC I POVEZANA UPOZORENJA

Povratni udarac je iznenadna reakcija na ukleštenje ili zahvaćeni rotacioni točak, potpornu podlošku, četku ili neki drugi deo pribora. Ukleštenje ili kačenje rotacionog pribora može izazvati zadržku samog pribora što dalje može dovesti do prisilnog usmeravanja električnog alata koji je van kontrole u suprotnom smeru od smera rotacije pribora u tački zaglavljivanja.

Na primer, ukoliko predmet obrade zakači ili uklešti abrazivni točak, ivica točka koji ulazi u tačku ukleštenja može se zariti u površinu materijala izazivajući uspinjanje ili izbacivanje točka. Točak može odskočiti bilo prema rukovaocu ili od njega, u zavisnosti od kretanja točka u tački ukleštenja. U ovim uslovima takođe može doći do pucanja abrazivnih točkova.

Povratni udarac je rezultat pogrešne upotrebe alata i/ili pogrešnih postupaka, odnosno uslova prilikom rada i može se izbeći preduzimanjem odgovarajućih mera opreza kako je naznačeno u nastavku..

- ▶ Čvrsto držite električni alat i postavite svoje telo i ruku u položaj koji Vam omogućava da se oduprete sili povratnog impulsa. Uvek koristite pomoćnu dršku, ukoliko je isporučena, za maksimalnu kontrolu nad povratnim udarcem ili obrtnom silom prilikom pokretanja. Rukovalac je u stanju da kontroliše reakcije obrtne sile ili sile povratnog udarca, ukoliko su preduzete odgovarajuće mere opreza.
- ▶ Nikada nemojte stavljati šaku blizu rotacionog pribora. Može doći do povratnog udarca pribora preko Vaše šake.
- ▶ Nemojte postavljati telo u zonu u kojoj će se električni alat kretati ukoliko dođe do povratnog udarca. Povratni udarac će pokrenuti alat u smeru suprotnom od smera kretanja točka u tački kačenja.
- ▶ Posebno vodite računa kada obrađujete uglove, oštre ivice itd. Izbegavajte poskakivanje i kačenje pribora. Uglovi, oštre ivice ili poskakivanje mogu da

dovedu do kačenja rotacionog pribora i tako izazovu gubitak kontrole ili povratni udarac.

- ▶ Nemojte priključivati sečivo motornie testere za obradu drveta ili nazubljeno sečivo testere. Takva sečiva stvaraju učestale povratne impulse i gubitak kontrole.

#### POSEBNA BEZBEDNOSNA UPOZORENJA ZA OPERACIJE BRUŠENJA I ABRAZIVNOG SEČENJA

- ▶ Koristite samo tipove diskova koji su preporučeni za vaš električni alat i štitnik posebno dizajniran za izabrani disk. Diskovi za koje električni alat nije dizajniran se ne mogu adekvatno zaštititi i stoga su nebezbedni.
- ▶ Površina za brušenje srednjih pritisnutih diskova se mora montirati ispod ravni ruba štitnika. Neadekvatno montiran disk koji prolazi kroz ravan ruba štitnika se ne može zaštititi na odgovarajući način.
- ▶ Štitnik mora biti bezbedno pričvršćen na električni alat i pozicioniran za maksimalnu bezbednost, tako da najmanja površina diska bude izložena prema rukovaocu. Štitnik pomaže u zaštiti rukovaoca od polomljenih fragmenata diska, slučajnog kontakta sa diskom i varnica koje bi mogle da zapale odeću.
- ▶ Diskovi se moraju koristiti samo za preporučene primene. Na primer: ne brušite sa bočnom stranom reznog diska. Abrazivni rezni diskovi su namenjeni za periferno brušenje, bočni pritisak primenjeni na ove diskove mogu izazvati njihovo pucanje.
- ▶ Uvek koristite neoštećene prirubnice diska koje su propisne veličine i oblika za izabrani disk. Odgovarajuće prirubnice diska podupiru disk, na taj način umanjujući mogućnost lomljenja. Odgovarajuće prirubnice reznih diskova se mogu razlikovati od onih za brusne diskove.
- ▶ Ne koristite istrošene diskove sa većih električnih alata. Disk namenjen većem električnom alatu nije pogodan za manje alate ili one veće brzine i mogu se raspasti..

#### DODATNA POSEBNA BEZBEDNOSNA UPOZORENJA ZA OPERACIJE ABRAZIVNOG SEČENJA

- ▶ Nemojte "zaglavljivati" rezni točak ili primenjivati prekomerni pritisak. Nemojte pokušavati da pravite preteranu dubinu reza. Preveliki pritisak na disk povećava opterećenje i podložnost uvrtanju ili zapinjaju diska u rez kao i mogućnost povratnog impulsa ili lomljenja diska.
- ▶ Nemojte postavljati telo u liniji sa rotacionim točkom niti iza njega. Kada se točak, u tački rada, kreće od vašeg tela, potencijalni povratni udarac bi mogao pokrenuti rotacioni točak i električni alat direktno prema Vama.
- ▶ Kada točak zapinje ili kod prekidanja sečenja iz bilo kog razloga, isključite električni alat i držite električni alat statičnim dok se točak u potpunosti ne zaustavi. Nikada nemojte pokušavati da izvadite rezni točak iz reza dok se točak kreće, u suprotnom može doći do povratnog udarca. Istražite i preduzmite korektivne korake kako biste uklonili uzrok zapinjaju diska.
- ▶ Nemojte ponovo pokretati proces sečenja u predmetu obrade. Sačekajte da disk razvije punu brzinu i oprezno uđite u rez. Disk može zapeti, propeti se ili imati povratan impuls ukoliko je električni alat u predmetu obrade.

- ▶ Poduprite ploče ili bilo koji preveliki predmet obrade kako biste umanjili rizik od uklještenja točka i povratnog udara. Veliki predmeti obrade imaju običaj da ulegnu pod sopstvenom težinom. Potpore se mogu postaviti ispod predmeta obrade blizu linije sečenja i blizu ivice predmeta obrade sa obe strane diska.
- ▶ Posebno obratite pažnju prilikom pravljenja dže-pnog reza u postojeće zidove ili druge čiste oblasti. Istureni točak može preseći gasne ili vodovodne cevi, električne instalacije ili objekte koji mogu izazvati povratni udarac.

#### POSEBNA BEZBEDNOSNA UPOZORENJA ZA OPE-RACIJE GLAČANJA

- ▶ Nemojte koristiti preveliki brusni papir. Sledite pre-poruke proizvođača, prilikom odabira brusnog pa-pira. Veći brusni papir koji se širi van brusne podloge predstavlja rizik od razdiranja i može izazvati kačenje, kidanje diska, ili povratni udarac.

#### POSEBNA BEZBEDNOSNA UPOZORENJA ZA OPE-RACIJE BRUŠENJA ŽIČANOM ČETKOM

- ▶ Vodite računa o činjenici da se žičane iglice odbacuju od četke i tokom normalnog rada. Nemojte vršiti pre-veliki pritisak na žice primenom preteranog optere-ćenja na četku. Žičane iglice lako mogu prodrati kroz laganu odeću i/ili kožu.
- ▶ Ukoliko je preporučena upotreba štitnika za brušenje žičanom četkom, nemojte dozvoliti bilo kakvo prepli-tanje žičanog točka ili četke sa štitnikom. Žičani točak ili četka se mogu proširiti u prečniku usled radnog opterećenja i centrifugalnih sila.

#### DODATNE SIGURNOSNE NAPOMENE

- ▶ Nosite zaštitne naočare.
- ▶ Koristite odgovarajuće aparate za detekciju, da biste pronašli skrivene vodove snabdevanja, ili pozovite lokalnog distributera električne energije. Kontakt sa električnim vodovima može da dovede do požara a strujnog udara. Oštećenja gasovoda mogu da do-vedu do eksplozije. Prodiranje u cevovod sa vodom može da uzrokuje materijalnu štetu ili strujni udar.
- ▶ Nemojte dodirivati brusne diskove i diskove za prese-canje dok se ne ohlade. Prilikom rada diskovi postaju veoma vreli.
- ▶ Deblokirajte prekiđač za uključivanje/isključivanje i dovedite ga u poziciju isklj., ako se prekine snabde-vanje strujom, odnosno usled nestanka struje ili iz-vlačenjem mrežnog utikača. Na taj način se sprečava nekontrolisano ponovno pokretanje.
- ▶ Obezbedite radni komad. Radni komad koji čvrsto drže zatezni uređaji ili stega sigurniji je nego kada se drži rukom.

#### POVEZIVANJE ELEKTRIČNOG NAPAJANJA

Uverite se da se podaci o električnom napajanju na natpisnoj pločici aparata poklapaju sa električ-nim napajanjem na koje želite da ga povežete. Ovo je aparat klase II i predviđen je za povezivanje na električno napajanje koje odgovara podacima na natpisnoj pločici i kompatibilno je sa montiranim utikačem. Ako je potreban produžni kabl, koriste-te odobreni i kompatibilni kabl koji je predviđen za ovaj aparat. Pratite uputstvo koje ste dobili uz produžni kabl.

#### SMERNICE ZA KORIŠĆENJE PRODUŽNIH KABLOVA

- ▶ Proverite da li je produžni kabl u dobrom stanju. Prilikom korišćenja produžnog kabla, vodite računa da koristite kabl koji je predviđen za struju koju će vaš proizvod da vuče. Previše slab kabl će dovesti do pada linijskog napona, što dovodi do gubitka snage i pregrevanja.
- ▶ Uvek zamenite oštećeni produžni kabl ili neka ga popravi kvalifikovana osoba pre korišćenja.
- ▶ Zaštite produžne kablove od oštarih predmeta, prekomerne toplote i vlažnih/mokrih područja.
- ▶ Koristite posebno električno kolo za vaše alate. Ovo kolo treba da bude zaštićeno odgovarajućim osiguračem sa vremenskim odlaganjem. Pre pove-zivanja motora na vod za napajanje, pobrinite se da prekiđač bude u položaju ISKLJUČENO i da nomi-nalni električni napon bude isti kao napon utisnut na nazivnoj pločici motora. Rad na niskom naponu će oštetiti motor.

#### SPECIFIKACIJE PROIZVODA

##### NAMENA

Električni alat je namenjen za presecanje, grubo brušenje i obradu četkom metala i kamena, bez upotrebe vode.

#### TEHNIČKI PODACI

Br. art.	44 826	44 827
<b>Model AG 125/PRO</b>	<b>1100E</b>	<b>1200EC</b>
Nominalni napon	V	220-240
	Hz	50/60
Putere nominala	W	1.100 1.200
Turađe nominala	min <sup>-1</sup>	4.000-12.200 4.000-12.200
Dijametri max. disc de șlefuit	mm	125
Filet arbore de polizat		M14
Težina	kg	2,0 2,1
<b>Vrednosti emisije šumova se određuju u skla-du sa EN 60745-1, EN 60745-2-3</b>		
A-vrednovan nivo šumova uređaja iznosi tipično		
Nivo zvučnog pritiska	dB(A)	90,2
Nivo zvučne snage	dB(A)	101,2
Nesigurnost K	dB	3
<b>Ukupne vrednosti vibracija a<sub>h</sub> (zbir vektora tri pravca) i nesigurnost K su dobijeni prema EN 60745-1, EN 60745-2-3</b>		
<b>Nivo vibracija:</b>		
a <sub>h,AG</sub>	m/s <sup>2</sup>	9,063
K	m/s <sup>2</sup>	1,5

#### INFORMACIJE O ŠUMOVIMA/VIBRACIJAMA

Nivo vibracija naveden u ovim uputstvima je izmeren prema mernom postupku koji je standardizovan u EN 60745 i može da se koristi za poređenje električ-



nih alata jedan sa drugim. Pogodan je i za privremenu procenu opterećenja vibracijama. Navedeni nivo vibracija predstavlja prvenstveno primenu električnog alata. Ako se svakako električni alat upotrebljava za druge namene sa pomoću različitih pribora ili nedovoljno održavanja, može doći do odstupanja nivoa vibracija. Ovo može u značajnoj meri povećati opterećenje vibracijama preko celog radnog vremena. Za tačnu procenu opterećenja vibracijama trebalo bi uzeti u obzir i vreme, u kojem je uređaj uključen ili radi, međutim nije stvarno u upotrebi. Ovo može značajno redukovati opterećenje vibracijama preko celog radnog vremena. Utvrdite dodatne mere sigurnosti radi zaštite radnika pre delovanja vibracija kao na primer: Održavanje električnog alata i upotrebljeni alati, održavanje toplih ruku, organizacija odvijanja posla.

### OSNAKA

1. Prekidač za uključivanje-isključivanje
2. Taster za blokadu vretena
3. Dodatna drška
4. Štitnik
5. Poluga za deblokadu zaštitne haube
6. Vreteno
7. Spone štitnik
8. Ključ
9. Podloška štitnik
10. Točkić za podešavanje broja obrtaja

### UPUTSTVO ZA KORIŠĆENJE

#### POSTAVLJANJE PRIBORA (E)

- ▶ Očistite vreteno (6) i sve delove koje ćete postaviti.
- ▶ Pričvrstite spone štitnika (7) pomoću ključa (8) dok pritisnete dugme za zaključavanje vretena (2).
- ▶ Za skidanje pribora držati naopake.

#### POSTAVLJANJE POMOĆNU RUČICU (C)

Zavrnite dodatnu dršku (3) zaviso od načina rada desno ili levo na glavi prenosnika.

#### SKIDANJE/POSTAVLJANJE/PODEŠAVANJE ŠTITNIKA (B)

- ▶ Otvorite štitnika otpuštanjem šrafa (5).
- ▶ Postavite štitnika (4) na prsten vretena glave alata i okretanjem ga postavite na željenu poziciju (u zavisnosti od vrste rada).
- ▶ Zaštitna straža (4) guranjem poluge (5).

#### PRE KORIŠĆENJA ELEKTRIČNOG ALATA

- ▶ Proverite da li je pribor ispravno postavljen i snažno pričvršćen.
- ▶ Proverite da li pribor može da se pomera, tako što ćete ga ručno pokrenuti.
- ▶ Probno pokrenite alat najmanje 60 sekundi na najvećoj brzini pri praznom hodu i u sigurnom položaju.
- ▶ Odmah prekinite rad ukoliko dođe do većih vibracija ili drugih nepravilnosti u radu i pregledajte alat, da biste odredili uzrok.

#### UKLJUČIVANJE-ISKLJUČIVANJE (D)

- ▶ Za početak rada elektroalata gurnite prekidač za uključivanje/isključivanje (1) unapred.
- ▶ Zafiksiranje prekidača za uključivanje/isključivanje (1)

pritisakajte prekidač za uključivanje/isključivanje (1) napred nadole, dok ne ulegne.

- ▶ Da biste električni alat isključili, pustite prekidač za uključivanje-isključivanje (1) odnosno, kada je fiksiran, pritisnite prekidač uključivanje-isključivanje (1) kratko pozadi nadole i onda ga otpustite.

#### PODEŠAVANJE BROJA OBRTAJA

Pomoću točkića za podešavanje broja obrtaja (10), možete da izaberete potreban broj obrtaja i tokom rada. Podaci na sledećoj tabeli su preporučene vrednosti.

#### BRUŠENJE

- ▶ Sa podešenim uglom od 30° do 40° dobijate pri grubom brušenju najbolje rezultate u radu. Pokrećite električni alat sa umerenim pritiskom tamo-amo. Tako radni komad neće postati vreo, neće promeniti boju i neće biti brazdi.
- ▶ Ne koristite nikada ploče za presecanje za grubo brušenje.

#### SEČENJE

- ▶ Uri sečenju nemojte da naginjete alat.
- ▶ Uvek pomerajte električni alat u pravcu strelice na vrhu alata, da biste sprečili da alat nekontrolisano sklizne iz reza.
- ▶ Nemojte da pritisunate električni alat; pustite da disk za sečenje sâm radi.
- ▶ Radna brzina diska za sečenje zavisi od materijala koji se seče.
- ▶ Nemojte bočnim pritiskom da slomite disk za sečenje.

#### ODRŽAVANJE

Redovne kontrole i čišćenje smanjuju potrebu za održavanjem i obezbeđuju dobro radno stanje vašeg alata. Motor se mora pravilno provetravati tokom rada alata. Zato nemojte da blokirate ulaze za vazduh.

#### ZAŠTITA ŽIVOTNE SREDINE

Reciklirajte sirovine umesto odlaganja na otpad. Mašinu, pribor i ambalažu treba razvrstati za ekološku reciklažu. Plastične komponente su označene za kategorizovanu reciklažu.

#### GARANCIJA

Za ovaj proizvod se daje garancija u skladu sa zakonskim/lokalnim propisima i ona važi od datuma kupovine od strane prvog korisnika. Oštećenja koja se mogu pripisati normalnom habanju i trošenju, preopterećenju ili nepravilnom rukovanju biće isključena iz garancije. U slučaju reklamacije, pošaljite mašinu, kompletno sastavljenu, vašem prodavcu ili servisnom centru za električne alate.

## HRVATSKI

### OPĆE UPUTE ZA SIGURNOST ZA ELEKTRIČNE ALATE

Treba pročitati sve napomene o sigurnosti i upute. Ako se ne bi poštivale napomene o sigurnosti i upute to bi moglo uzrokovati strujni udar, požar i/ili teške ozljede.

Sačuvajte sve napomene o sigurnosti i upute za buduću primjenu. U daljnjem tekstu korišten pojam »Električni alat« odnosi se na električne alate s priključkom na električnu mrežu (s mrežnim kablom) i na električne alate s napajanjem iz aku baterije (bez mrežnog kabela).

### SIGURNOST NA RADNOM MJESTU

- ▶ Održavajte vaše radno mjesto čistim i dobro osvijetljenim. Nered ili neosvijetljeno radno mjesto mogu uzrokovati nezgode.
- ▶ Ne radite s električnim alatom u okolini ugroženoj eksplozijom, u kojoj se nalaze zapaljive tekućine, plinovi ili prašina. Električni alati proizvode iskre koje mogu zapaliti prašinu ili pare.
- ▶ Tijekom uporabe električnog alata djecu i ostale osobe držite dalje od mjesta rada. U slučaju skretanja pozornost mogli bi izgubiti kontrolu nad uređajem.

### ELEKTRIČNA SIGURNOST

- ▶ Priključni utikač električnog alata mora odgovarati utičnici. Na utikaču se ni na koji način ne smiju izvoditi izmjene. Ne koristite adapterski utikač zajedno sa zaštitno uzemljenim električnim alatom. Utikač na kojem nisu vršene izmjene i odgovarajuća utičnica smanjuju opasnost od strujnog udara.
- ▶ Izbjegavajte dodir tijela s uzemljenim površinama, kao što su cijevi, radijatori, štednjaci i hladnjaci. Postoji povećana opasnost od električnog udara ako bi vaše tijelo bilo uzemljeno.
- ▶ Uređaj držite dalje od kiše ili vlage. Prodiranje vode u električni alat povećava opasnost od strujnog udara.
- ▶ Ne zloupotrebljavajte priključni kabel za nošenje, vješanje električnog alata ili za izvlačenje utikača iz mrežne utičnice. Priključni kabel držite dalje od izvora topline, ulja, oštih rubova ili pomičnih dijelova uređaja. Oštećen ili usukan priključni kabel povećava opasnost od trujnog udara.
- ▶ Ako sa električnim alatom radite na otvorenom, koristite samo produžni kabel koji je prikladan za uporabu na otvorenom. Primjena produžnog kabela prikladnog za rad na otvorenom smanjuje opasnost od strujnog udara.
- ▶ Ako se ne može izbjeći uporaba električnog alata u vlažnoj okolini, koristite zaštitnu sklopku struje kvara. Primjenom zaštitne sklopke struje kvara izbjegava se opasnost od električnog udara.

### SIGURNOST LJUDI

- ▶ Budite pažljivi, pazite što činite i postupajte oprežno kod rada s električnim alatom. Ne koristite električni alat ako ste umorni ili pod utjecajem droga, alkohola ili lijekova. Trenutak nepažnje kod uporabe električnog alata može uzrokovati teške

ozljede.

- ▶ Nosite osobnu zaštitnu opremu i uvijek nosite zaštitne naočale. Nošenje osobne zaštitne opreme, kao što je maska za prašinu, sigurnosna obuća koja ne klize, zaštitna kaciga ili štitnik za sluh, ovisno od vrste i primjene električnog alata, smanjuje opasnost od ozljeda.
- ▶ Izbjegavajte nehotično puštanje u rad. Prije nego što ćete utaknuti utikač u utičnicu i/ili staviti aku-bateriju, provjerite je li električni alat isključen. Ako kod nošenja električnog alata imate prst na prekidaču ili se uključen uređaj priključi na električno napajanje, to može dovesti do nezgoda.
- ▶ Prije uključivanja električnog alata uklonite alate za podešavanje ili vijčani ključ. Alat ili ključ koji se nalazi u rotirajućem dijelu uređaja može dovesti do nezgoda.
- ▶ Izbjegavajte neobičajene položaje tijela. Zauzmite sigurni stabilan položaj tijela i u svakom trenutku održavajte ravnotežu. Na taj način možete električni alat bolje kontrolirati u neočekivanim situacijama.
- ▶ Nosite prikladnu odjeću. Ne nosite široku odjeću ili nakit. Kosu, odjeću i rukavice držite dalje od pomičnih dijelova. Nepričvršćenu odjeću, dugu kosu ili nakit mogu zahvatiti pomični dijelovi.

### BRIŽLJIVA UPORABA I OPHODENJE S ELEKTRIČNIM ALATIMA

- ▶ **Ne preopterećujte uređaj.** Za vaš rad koristite za to predviđeni električni alat. S odgovarajućim električnim alatom radit ćete bolje i sigurnije u navedenom području učinka.
- ▶ Ne koristite električni alat čiji je prekidač neispravan. Električni alat koji se više ne može uključivati i isključivati opasan je i mora se popraviti.
- ▶ Izvucite utikač iz mrežne utičnice i/ili izvadite aku-bateriju prije podešavanja uređaja, zamjene pribora ili odlaganja uređaja. Ovim mjerama opreza izbjeći će se nehotično pokretanje električnog alata.
- ▶ Električni alat koji ne koristite spremite izvan doma djece. Ne dopustite rad s uređajem osobama koje nisu s njim upoznate ili koje nisu pročitale ove upute. Električni alati su opasni ako s njima rade neiskusne osobe.
- ▶ Održavajte električni alat s pažnjom. Kontrolirajte da li pomični dijelovi uređaja besprijekorno rade i da nisu zaglavljivi, da li su dijelovi polomljeni ili tako oštećeni da se ne može osigurati funkcija električnog alata. Prije primjene ove oštećene dijelove treba popraviti. Mnoge nezgode imaju svoj uzrok u slabo održanim električnim alatima.
- ▶ Rezne alate održavajte oštirim i čistim. Pažljivo održavani rezni alati s oštirim oštricama manje će se zaglavljivati i lakše se s njima radi.
- ▶ Električni alat, pribor, radne alate, itd. upotrebljavajte prema ovim uputama i na način kako je propisano za određenu vrstu uređaja. Pritom uzmite u obzir radne uvjete i radove koje treba izvršiti. Upotreba električnog alata za poslove izvan njegove predviđene upotrebe može dovesti do opasnih situacija.

## SERVISIRANJE

Popravlak vašeg električnog alata prepustite samo kvalificiranom stručnom osoblju ovlaštenog servisa i samo s originalnim rezervnim dijelovima. Na taj će se način osigurati da ostane sačuvana sigurnost uređaja.

## SIGURNOSNE NAPOMENE ZA KUTNE BRUSILICE

### UOBIČAJENA SIGURNOSNA UPOZORENJA ZA BRUŠENJE, BRUŠENJE BRUSNIM PAPIROM, BRUŠENJE ŽIČANOM ČETKOM, POLIRANJE I ABRAZIVNO REZANJE

- ▶ Ovaj električni alat namijenjen je za upotrebu kao brusilica, brusilica s brusnim papirom, žičana četka ili uređaj za abrazivno rezanje. Pročitajte sva sigurnosna upozorenja, upute, ilustracije i specifikacije koje se isporučuju s ovim električnim alatom. Nepoštivanje dolje navedenih uputa može uzrokovati električni udar, požar i/ili ozbiljne ozljede.
- ▶ Ne preporučujemo izvođenje radnji kao što su poliranje ovim električnim alatom. Upotreba ovog električnog alata za radnje za koje nije dizajniran može uzrokovati opasne situacije i osobne ozljede.
- ▶ Ne upotrebljavajte pribor koji proizvođač nije specijalno predvidio i preporučio za ovaj električni alat. To što se neki pribor može pričvrstiti na vaš električni alat ne jamči da je upotreba istog sigurna.
- ▶ Nazivni broj okretaja pribora mora biti najmanje jednak maksimalnom broju okretaja navedenom na električnom alatu. Pribor koji radi na broju okretaja većem od nazivnog mogao bi se slomiti i oštetiti.
- ▶ Vanjski promjer i debljina pribora moraju odgovarati nazivnom kapacitetu vašeg električnog alata. Pribor neispravne veličine ne može se dovoljno zaštititi ni kontrolirati.
- ▶ Navoji pribora moraju odgovarati navoju vretena brusilice. Na priboru koji se pričvršćuje prirubnicama otvor prihvata mora odgovarati promjeru prirubnice. Pribor koji ne odgovara brusnom vretenu električnog alata okreće se nejednolično, jako vibrira i može uzrokovati gubitak kontrole nad uređajem.
- ▶ Ne upotrebljavajte oštećen pribor. Prije upotrebe pregledajte pribor, na brusnim pločama provjerite da nisu okrnute ili napuknute, na brusnim tanjurima provjerite ima li pukotina i jesu li istrošenim a na žičanim četkama provjerite da žice nisu labave ili slomljene. Ako vam električni alat ili pribor ispadne, provjerite je li oštećen i postavite neoštećeni pribor. Kada pribor pregledate i postavite na alat, držite ga tako da druge osobe budu izvan ravnine rotirajućeg ribora i ostavite električni alat jednu minutu da radi na maksimalnoj brzini bez opterećenja. Oštećen pribor najčešće puca tijekom ispitivanja.
- ▶ Nosite osobnu zaštitnu opremu. Ovisno o primjeni, upotrijebite zaštitu za lice, zaštitu za oči ili zaštitne naočale. Ako je potrebno, stavite masku za zaštitu od prašine, štitnike za uši, rukavice i po-

sebnu pregaču koja će vas zaštititi od krhotina i sitnih komadića izratka koji obrađujete. Zaštita za oči služi za zaštitu očiju od letećih krhotina koje nastaju tijekom raznih primjena. Maska za zaštitu od prašine ili maska za disanje mora kod primjene filtrirati nastalu prašinu. Dulja izloženost glasnoj buci može uzrokovati oštećenje sluha.

- ▶ Pobrinite se da ostale osobe u radnom području budu na sigurnoj udaljenosti. Svi koji se nalaze u radnom području moraju nositi osobnu zaštitnu opremu. Odlomljeni komadići izratka ili slomljenog pribora mogu odletjeti i uzrokovati ozljede izvan radnog područja.
- ▶ Električni alat držite isključivo za izolirane prihvatne površine ako izvodite radove kod kojih bi pribor za rezanje mogao zahvatiti vlastiti kabel. Ako pribor za rezanje dođe u doticaj sa žicama pod naponom i metalni će dijelovi električnog alata biti pod naponom, što može dovesti do električnog udara rukovoaca.
- ▶ Kabel držite dalje od rotirajućeg pribora. Ako izgubite kontrolu, kabel bi se mogao odrezati ili zakačiti, a vaše bi ruke mogao zahvatiti rotirajući pribor.
- ▶ Električni alat nikada ne odlažite prije nego što se pribor u potpunosti ne zaustavi. Rotirajući pribor može zahvatiti površinu i uzrokovati gubitak kontrole nad električnim alatom.
- ▶ Ne uključujte električni alat dok ga nosite. Kod slučajnog dodira vašu bi odjeću mogao zahvatiti rotirajući pribor i ozlijediti vas.
- ▶ Redovito čistite otvore za hlađenje električnog alata. Ventilator motora uvlači prašinu u kućište, a prekomjerno nakupljanje metalne prašine predstavlja opasnost od strujnih udara.
- ▶ Ne upotrebljavajte električni alat u blizini zapaljivih materijala. Iskre mogu zapaliti te materijale.
- ▶ Ne upotrebljavajte pribor koji se hladi rashladnim sredstvom. Upotreba vode ili druge tekućine kao rashladnog sredstva može uzrokovati strujni udar.

### POVRATNI UDAR I POVEZANA UPOZORENJA

Povratni udar iznenadna je reakcija zbog zaglavljeno ili blokiranog pribora kao što su brusne ploče, brusni tanjuri, žičane četke i drugo. Zaglavljivanje ili blokiranje dovodi do naglog zaustavljanja rotirajućeg pribora. Uslijed toga gubi se kontrola nad električnim alatom i on ubrava u smjeru suprotnom od rotacije pribora na mjestu blokiranja. Ako se, primjerice, brusna ploča zaglavila ili blokira u izratku, rub brusne ploče koji zareže izradak mogao bi zahvatiti površinu materijala i uzrokovati pucanje brusne ploče ili povratni udar. Brusna bi se ploča u tom slučaju mogla naglo pomaknuti prema rukovaocu, ovisno o smjeru rotacije brusne ploče na mjestu blokiranja. Pritom može doći i do pucanja brusnih ploča.

Povratni udar je posljedica pogrešne ili nepravilne upotrebe električnog alata. Može se spriječiti prikladnim mjerama opreza, kako je opisano u daljnjem tekstu.

- ▶ Čvrsto držite električni alat i tijelo i ruku namjestite u položaj u kojem se možete oduprijeti sili povratnog udara. Ukoliko postoji, uvijek upotre-

bljavajte dodatnu ručku kako bi pri pokretanju imali najveću moguću kontrolu nad povratnim udarom i okretnim momentom alata. Rukovaoc može prikladnim mjerama opreza ovladati silama povratnog udara i okretnim momentom.

- ▶ Ne stavljajte ruke blizu rotirajućeg pribora. Može doći do povratnog udara pribora preko vaše ruke.
- ▶ Držite tijelo dalje od područja na koje bi se mogao pomaknuti električni alat tijekom povratnog udara. Kad povratnog udara alat se pomiče u smjeru suprotnom od pomicanja brusne ploče na mjestu blokiranja.
- ▶ Budite posebno oprezni pri obradi kutnih dijelova, oštrih rubova itd. Izbjegavajte odbijanje i blokiranje pribora. Rotirajući pribor lako se blokira i odbija na kutnim dijelovima i oštrim rubovima, što uzrokuje gubitak kontrole nad uređajem ili povratni udar.
- ▶ Ne pričvršćujte lančani ili nazubljeni list pile. Taj pribor često uzrokuje povratni udar ili gubitak kontrole nad električnim alatom.

### POSEBNA SIGURNOSNA UPOZORENJA ZA BRUŠENJE I ABRAZIVNO REZANJE

- ▶ Upotrebjavajte isključivo preporučene vrste brusnih ploča za električni alat i posebne štitnike za odabrane brusne ploče. Brusne ploče koje nisu predviđene za električni alat ne mogu se dovoljno zaštititi i nisu sigurne za upotrebu.
- ▶ Brusna površina na sredini potisnutih brusnih ploča mora biti postavljena ispod površine zaštitnog ruba. Neispravno postavljena brusna ploča koja prelazi preko površine zaštitnog ruba nije dovoljno zaštićena.
- ▶ Štitnik mora biti dobro pričvršćen na električni alat i namješten za osiguranje maksimalne razine sigurnosti, tako da tek nezamjetan dio brusne ploče prema rukovaocu ostane nezaštićen. Štitnik štiti rukovaoca od odlomljenih komadića brusne ploče, nehotičnog kontakta s pločom i iskrenja koje može zapaliti odjeću.
- ▶ Ploče se smiju upotrebljavati isključivo za preporučene primjene. Na primjer: nikada ne brusite s bočnom površinom ploče za rezanje. Brusne ploče za rezanje predviđene su za skidanje materijala s rubom ploče. Bočno djelovanje sile na ove brusne ploče može uzrokovati njihovo pucanje.
- ▶ Uvijek upotrebjavajte neoštećene stezne pribornice odgovarajuće veličine i oblika za brusne ploče koje ste odabrali. Prikladne pribornice štite ploču i smanjuju opasnost od njenog pucanja. Pribornice za brusne ploče za rezanje mogu se razlikovati od pribornica za ostale brusne ploče.
- ▶ Ne upotrebjavajte istrošene brusne ploče s većih električnih alata. Brusne ploče za veće električne alate nisu predviđene za veći broj okretaja manjih električnih alata i mogu puknuti.

### DODATNA POSEBNA SIGURNOSNA UPOZORENJA ZA ABRAZIVNO REZANJE

- ▶ Izbjegavajte blokiranje brusne ploče za rezanje i prevelik pritisak. Ne izvodite prekomjerno duboke rezove. Preopterećenje ploče povećava njeno naprezanje i sklonost nagibanju u rezu, a time i mogućnost povratnog udara ili loma ploče.

- ▶ Ne stojte neposredno pored i iza rotirajuće brusne ploče. Ako se, u radu, brusna ploča odmakne od vašeg tijela, eventualni povratni udar može odbaciti brusnu ploču i električni alat prema vama.
- ▶ Ako se ploča uklješti ili iz bilo kojeg razloga prekidate rezanje, isključite električni alat i držite ga mirno sve dok se brusna ploča u potpunosti ne zaustavi. Nikada ne pokušavajte vaditi brusnu ploču za rezanje iz reza dok je još u pokretu jer može doći do povratnog udara. Ustanovite i otklonite uzrok uklještenja ploče.
- ▶ Prekinite s rezanjem izratka. Pustite da ploča dosegne maksimalan broj okretaja prije nego što nastavite s rezanjem. Inače bi se ploča mogla zaglaviti, odskočiti iz izratka ili uzrokovati povratni udar.
- ▶ Ploče i sve velike izratke poduprite osloncem kako biste smanjili opasnost od uklještenja brusne ploče i povratnog udara. Veliki izratci često se savijaju pod vlastitom težinom. Izradak morate podložiti pored linije reza i ruba izratka s obje strane ploče.
- ▶ Budite posebno oprezni kod zarezivanja postojećih zidova ili drugih područja u mrtvom kutu. Brusne bi ploče prilikom zarezivanja mogle zahvatiti plinske ili vodovodne cijevi, električne vodove ili druge objekte koji mogu uzrokovati povratni udar.

### POSEBNA SIGURNOSNA UPOZORENJA ZA BRUŠENJE BRUSNIM PAPIROM

**Ne upotrebjavajte prevelike brusne ploče s papirom.** Slijedite preporuke proizvođača pri odabiru brusnog papira. Veći brusni papiri koji prelaze preko brusnog jastučića mogu uzrokovati ozljede te uzrokovati blokiranje i kidanje diska ili povratni udar.

### POSEBNA SIGURNOSNA UPOZORENJA ZA BRUŠENJE ČELIČNOM ČETKOM

- ▶ Imajte na umu da žičane četkine ispadaju s četke i pri uobičajenoj upotrebi. Pazite da ne preopteretite žice prejakim pritiskanjem četke. Žičane četkine lako probijaju laganu odjeću i/ili kožu.
- ▶ Ako je za brušenje žičanom četkom preporučena upotreba štitnika, pripazite da tanjurasta ili lončasta četka ne dodiruje štitnik. Tanjuraste i lončaste četke mogu se, zbog sile pritiska i centrifugalnih sila, povećati u promjeru.

### DODATNE SIGURNOSNE NAPOMENE

- ▶ Nosite zaštitne naočale.
- ▶ Koristite prikladne detektore kako biste pronašli skrivene opskrbe vodove ili zatražite pomoć lokalnog distributera. Kontakt s električnim vodovima može dovesti do požara i električnog udara. Oštećenje plinske cijevi može dovesti do eksplozije. Probijanje vodovodne cijevi uzrokuje materijalne štete ili može prouzročiti električni udar.
- ▶ Ne dirajte brusne i rezne ploče dok se ne ohlade. Rezne ploče se jako zagriju tijekom rada.
- ▶ Ako se prekine električno napajanje, npr. zbog nestanka struje ili izvlačenja mrežnog utikača, deblokirajte prekidač za uključivanje/isključivanje

i prebacite ga u položaj isključeno. Time se sprječava nekontrolirano ponovno pokretanje.

- ▶ Osigurajte izradak. Izradak stegnut pomoću stezne naprave ili škripca sigurnije će se držati nego s vašom rukom.

### SPAJANJE NA ELEKTRIČNU MREŽU

Uvjerite se da je napon električne mreže na koju želite spojiti uređaj istovjetan naponu navedenom na natpisnoj pločici uređaja.

Ovo je uređaj klase II i predviđen je za spajanje na električnu mrežu koja odgovara podacima na natpisnoj pločici i koja je kompatibilna s utičnicom. Ako vam je potreban produžni kabel, koristite odobreni kabel koji je kompatibilan s ovim uređajem. Pridržavajte se uputstva koje ste dobili uz produžni kabel.

### UPUTE ZA UPOTREBU PRODUŽNOG KABELA

- ▶ Uvjerite se da je Vaš produžni kabel u dobrom stanju. Kada koristite produžni kabel, uvjerite se da je dovoljno snažan da podnese struju koju zahtijeva vaš uređaj. Nedovoljno velik kabel će uzrokovati pad mrežnog napona koji će rezultirati gubitkom snage i pregrijavanjem.
- ▶ Oštećeni kabel uvijek zamijenite novim ili ga prije ponovne uporabe odnesite na popravak kvalificiranoj osobi
- ▶ Zaštitite svoj produžni kabel od oštiri predmeta, prekomjerne topline i mokre okoline/vlage.
- ▶ Za svoje aparate koristite zasebni strujni krug. Taj krug treba biti osiguran odgovarajućim tromim osiguračem. Prije uključivanja uređaja u strujnu mrežu, uvjerite se da je prekidač napajanja u položaju OFF te da je napon električne mreže istovjetan naponu navedenom na natpisnoj pločici uređaja. Rad na nižem naponu oštetit će uređaj.

### SPECIFIKACIJE PROIZVODA

#### UPORABA ZA ODREĐENU NAMJENU

Ovaj uređaj je predviđen za rezanje, grubo brušenje i obradu četkom metala i kamenih predmeta, bez uporabe vode.

#### TEHNIČKI PODATCI

Br. art.	44 826	44 827
<b>Model AG 125/PRO</b>	<b>1100E</b>	<b>1200EC</b>
Nazivni napon	V	220-240
	Hz	50/60
Nazivna snaga	W	1.100
		1.200
Nazivna brzina	min <sup>-1</sup>	4.000-12.200
		4.000-12.200
Promjer lista pile, maks	mm	125
Navoj vretena		M14
Težina	kg	2,0
		2,1

#### Vrijednosti emisije buke određene u skladu s EN 60745-1, EN 60745-2-3

Karakteristična razina buke uređaja određena je prema A-vrednovanoj ljestvici i iznosi:

Razina zvučnog tlaka	dB(A)	90,2
Razina zvučne Snage	dB(A)	101,2
Nesigurnost K	dB	3

#### Ukupne vrijednosti vibracija ah (zbroy vektora tri pravca) i nesigurnost K su određeni prema EN 60745-1, EN 60745-2-3

##### Razina vibracije:

a <sub>h,AG</sub>	m/s <sup>2</sup>	9,063
K	m/s <sup>2</sup>	1,5

### INFORMACIJE O BUCI/VIBRACIJAMA

Razina emitiranja vibracija navedena u ovim uputama izmjerena je sukladno normiranom testu danom u EN 60745 i može se koristiti za usporedbu jednog električnog uređaja s drugim te za preliminarnu procjenu izloženosti vibracijama. Navedena razina vibracija odnosi se na osnovnu primjenu električnog uređaja. No, ako se električni uređaj upotrebljava u druge svrhe uz uporabu različitog pribora i uporabnih alata ili nepropisno održava, može doći do odstupanja od razine vibracija. To može u značajnoj mjeri povećati izloženost vibracijama preko cijelog radnog vremena.

Za točnu procjenu izloženosti vibracijama trebalo bi u obzir uzeti i vrijeme tijekom kojega je uređaj isključen ili radi, ali nije stvarno u uporabi. Ovo može značajno smanjiti izloženost vibracijama tijekom cijelog radnog vremena. Utvrdite dodatne mjere sigurnosti radi zaštite radnika prije djelovanja vibracija, kao na primjer: Održavanje električnog uređaja i alata, održavanje toplih ruku, organizacija obavljanja raznih radova.

### OSNAKE

1. Prekidač za uključivanje/isključivanje
2. Dugme za zaključavanje vretena
3. Pomoćna drška
4. Zaštitni poklopac
5. Poluga za otvaranje zaštitnog poklopca
6. Vreteno
7. Stezna prirubnica
8. Ključ
9. Prirubnica za pričvršćivanje
10. Kotačić za predbiranje broja okretaja

### UPORABA

#### POSTAVLJANJE ALATA (E)

- ▶ Očistite vreteno **(6)** i sve dijelove koje ćete postaviti.
- ▶ Pričvrstite steznu prirubnicu **(7)** pomoću ključa **(8)** dok pritiskate dugme za zaključavanje vretena **(2)**.
- ▶ Za skidanje pribora učinite obrnutim redoslijedom.

### POSTAVLJANJE POMOĆNE DRŠKE (C)

Pričvrstite pomoćnu dršku **(3)** s desne ili lijeve strane od vrha uređaja (ovisno o vrsti rada).

### SKIDANJE/POSTAVLJANJE/PODEŠAVANJE ZAŠTITNOG POKLOPCA (B)

- ▶ Pričvrstite zaštitni poklopac pritezanjem poluge **(5)**.
- ▶ Postavite zaštitni poklopac **(4)** na prsten vretena na vrhu uređaja i okretanjem ga postavite u željenu poziciju (ovisno o potrebnoj vrsti rada).
- ▶ Podesite zaštitnu zaštitu **(4)** pritiskom na polugu **(5)**.

### PRIJE UPORABE ALATA

- ▶ Provjerite je li alat ispravno postavljen i dovoljno snažno pričvršćen.
- ▶ Provjerite može li se alat pomicati, tako što ćete ga pomaknuti rukom.
- ▶ Probno pustite uređaj da radi najmanje 60 sekundi na najvećoj brzini pri praznom hodu i u sigurnom položaju.
- ▶ Ukoliko dođe do većih vibracija ili drugih nepravilnosti u radu, odmah prekinite rad uređaja i pregledajte alat, da biste odredili uzrok.

### UKLJUČIVANJE I ISKLJUČIVANJE (D)

- ▶ Za uključivanje električnog uređaja gurnite prekidač za UKLJUČIVANJE/ISKLJUČIVANJE **(1)** prema naprijed.
- ▶ Za zaključavanje prekidača za uključivanje/isključivanje **(1)** gurnite prekidač za UKLJUČIVANJE/ISKLJUČIVANJE **(1)** prema naprijed, a zatim prema dolje da se uglati u mjestu.
- ▶ Za isključivanje uređaja, otpustite prekidač za UKLJUČIVANJE/ISKLJUČIVANJE **(1)** ili, ako je zaključan, brzo gurnite prekidač za UKLJUČIVANJE/ISKLJUČIVANJE **(1)** prema natrag i dolje i zatim ga otpustite.

### PREDBIRANJE BROJA OKRETAJA

Kotačićem za predbiranje broja okretaja **(10)**, možete i tijekom rada prethodno odabrati potreban broj okretaja. Podaci u donjoj tablici su preporučene vrijednosti.

### GRUBO BRUŠENJE

Najbolje rezultate u grubom brušenju dobivate podesite li kut na od 30° do 40°. Pokrećite uređaj tamo-amo uz umjereni pritisak. Tako se predmet obrade neće previše zagrijati, neće promijeniti boju i neće biti neravnina.

### REZANJE

- ▶ Pri rezanju uređaj nemojte naginjati.
- ▶ Uređaj pomičite uvijek u smjeru strelice na vrhu uređaja, da biste spriječili da uređaj nekontrolirano isklizne iz reza.
- ▶ Nemojte pritiskati uređaj; dopustite reznom disku da okretanjem sâm obavi posao.
- ▶ Radna brzina reznog diska ovisi od materijala koji se reže.
- ▶ Nemojte slomiti rezni disk bočnim pritiskom.

### ODRŽAVANJE

Redovne kontrole i čišćenje smanjuju potrebu za održavanjem i osiguravaju dobro radno stanje vašeg uređaja. Tijekom rada uređaja motor se mora pravilno provjetravati. Iz tog razloga pazite da nešto ne blokira dovod zraka u motor.

### ZAŠTITA OKOLIŠA

Umjesto odlaganja na otpad sirovine reciklirajte. Uređaj, dijelove i ambalažu treba razvrstati za recikliranje neškodljivo po okoliš. Ovaj priručnik je tiskan na papiru izbijeljenom bez klora. Plastični dijelovi nose reciklažne oznake.

### JAMSTVO

Uz ovaj uređaj daje se jamstvo u skladu s važećim/lokalnim odredbama i ono važi od datuma kupnje uređaja od strane prvog korisnika. Oštećenja koja se mogu pripisati normalnom habanju, preopterećenju ili nepravilnom rukovanju isključena su iz ovog jamstva. U slučaju reklamacije, u potpunosti sastavljen uređaj pošaljite svom prodavatelju ili ovlaštenom servisu za električne alate.

## ROMÂNĂ

### INDICAȚII GENERALE DE AVERTIZARE PENTRU SCULE ELECTRICE

Citiți toate indicațiile de avertizare și instrucțiunile. Nerespectarea indicațiilor de avertizare și a instrucțiunilor poate provoca electrocutare, incendii și/sau răni grave. Păstrați toate indicațiile de avertizare și instrucțiunile în vederea utilizărilor viitoare. Termenul de „sculă electrică” folosit în indicațiile de avertizare se referă la sculele electrice alimentate de la rețea (cu cablu de alimentare) și la sculele electrice cu acumulator (fără cablu de alimentare).

#### SIGURANȚA LA LOCUL DE MUNCĂ

- ▶ Mențineți-vă sectorul de lucru curat și bine iluminat. Dezordinea sau sectoarele de lucru neluminate pot duce la accidente.
- ▶ Nu lucrați cu scula electrică în mediu cu pericol de explozie, în care există lichide, gaze sau pulberi inflamabile. Sculele electrice generează scântei care pot aprinde praful sau vaporii.
- ▶ Nu permiteți accesul copiilor și al altor persoane în timpul utilizării sculei electrice. Dacă vă este distrasă atenția puteți pierde controlul asupra mașinii.

#### SIGURANȚĂ ELECTRICĂ

- ▶ Ștecherul sculei electrice trebuie să fie potrivit prizei electrice. Nu este în nici un caz permisă modificarea ștecherului. Nu folosiți fișe adaptoare la sculele electrice legate la pământ de protecție. Ștecherele nemodificate și prizele corespunzătoare diminuează riscul de electrocutare.
- ▶ Evitați contactul corporal cu suprafețe legate la pământ ca țevi, instalații de încălzire, sobe și frigider. Există un risc crescut de electrocutare atunci când corpul vă este legat la pământ.
- ▶ Feriți mașina de ploaie sau umezeală. Pătrunderea apei într-o sculă electrică mărește riscul de electrocutare.
- ▶ Nu schimbați destinația cablului folosindu-l pentru transportarea sau suspendarea sculei electrice ori pentru a trage ștecherul afară din priză. Feriți cablul de căldură, ulei, muchii ascuțite sau componente aflate în mișcare. Cablurile deteriorate sau încurcate măresc riscul de electrocutare.
- ▶ Atunci când lucrați cu o sculă electrică în aer liber, folosiți numai cabluri prelungitoare adecvate și pentru mediul exterior. Folosirea unui cablu prelungitor adecvat pentru mediul exterior diminuează riscul de electrocutare.
- ▶ Atunci când nu poate fi evitată utilizarea sculei electrice în mediu umed, folosiți un întrerupător automat de protecție împotriva tensiunilor periculoase. Întrebuințarea unui întrerupător automat de protecție împotriva tensiunilor periculoase reduce riscul de electrocutare.

#### SIGURANȚA PERSOANELOR

- ▶ Fiți atenți, aveți grijă de ceea ce faceți și procedați rațional atunci când lucrați cu o sculă electrică. Nu folosiți scula electrică atunci când sunteți obosiți sau vă aflați sub influența drogurilor, a alcoolului sau a medicamentelor. Un moment de neatenție în tim-

pul utilizării mașinii poate duce la răni grave.

- ▶ Purtați echipament personal de protecție și întotdeauna ochelari de protecție. Purtarea echipamentului personal de protecție, ca masca pentru praf, încălțămintea de siguranță antiderapantă, cască de protecție sau protecția auditivă, în funcție de tipul și utilizarea sculei electrice, diminuează riscul rănilor.
- ▶ Evitați o punere în funcțiune involuntară. Înainte de a introduce ștecherul în priză și/sau de a introduce acumulatorul în scula electrică, de a o ridica sau de a o transporta, asigurați-vă că aceasta este oprită. Dacă atunci când transportați scula electrică țineți degetul pe întrerupător sau dacă porniți scula electrică înainte de a o racorda la rețeaua de curent, puteți provoca accidente.
- ▶ Înainte de pornirea sculei electrice îndepărtați dispozitivele de reglare sau cheile fixe din aceasta. Un dispozitiv sau o cheie lăsată într-o componentă de mașină care se rotește poate duce la răni.
- ▶ Evitați o ținută corporală nefirească. Adoptați o poziție stabilă și mențineți-vă întotdeauna echilibrul. Astfel veți putea controla mai bine mașina în situații neașteptate.
- ▶ Purtați îmbrăcăminte adecvată. Nu purtați îmbrăcăminte largă sau podoabe. Feriți părul, îmbrăcămintea și mănușile de piesele aflate în mișcare. Îmbrăcămintea largă, părul lung sau podoabele pot fi prinse în piesele aflate în mișcare.

#### UTILIZAREA ȘI MANEVRAREA ATENTĂ A SCULELOR ELECTRICE

- ▶ Nu suprasolicitați mașina. Folosiți pentru executarea lucrării dv. scula electrică destinată aceluși scop. Cu scula electrică potrivită lucrați mai bine și mai sigur în domeniul de putere indicat.
- ▶ Nu folosiți scula electrică dacă aceasta are întrerupătorul defect. O sculă electrică, care nu mai poate fi pornită sau oprită, este periculoasă și trebuie reparată.
- ▶ Scoateți ștecherul afară din priză și/sau îndepărtați acumulatorul, înainte de a executa reglaje, a schimba accesoriul sau de a pune mașina la o parte. Această măsură de prevenire împiedică pornirea involuntară a sculei electrice.
- ▶ Păstrați sculele electrice nefolosite la loc inaccesibil copiilor. Nu lăsați să lucreze cu mașina persoane care nu sunt familiarizate cu aceasta sau care nu au citit aceste instrucțiuni. Sculele electrice devin periculoase atunci când sunt folosite de persoane lipsite de experiență.
- ▶ Întrețineți-vă scula electrică cu grijă. Controlați dacă componentele mobile ale sculei electrice funcționează impecabil și dacă nu se blochează, sau dacă există piese rupte sau deteriorate astfel încât să afecteze funcționarea sculei electrice. Înainte de utilizare dați la reparat piesele deteriorate. Cauza multor accidente a fost întreținerea necorespunzătoare a sculelor electrice.
- ▶ Mențineți bine ascuțite și curate dispozitivele de tăiere. Dispozitivele de tăiere întreținute cu grijă, cu tăișuri ascuțite se înțepenesc în mai mică măsură și pot fi conduse mai ușor.
- ▶ Folosiți scula electrică, accesoriile, dispozitivele de lucru etc. conform prezentelor instrucțiuni. Țineți cont de condițiile de lucru și de activitatea care tre-

buie desfășurată. Folosirea sculelor electrice în alt scop decât pentru utilizările prevăzute, poate duce la situații periculoase.

## ÎNȚREȚINERE

Încredințați scula electrică pentru reparare personalului de specialitate, calificat în acest scop, repararea făcându-se numai cu piese de schimb originale. Astfel veți fi siguri că este menținută siguranța sculei electrice.

## INSTRUCȚIUNI DE SIGURANȚĂ PENTRU PO-LIZOARE UNGHIULARE

### INSTRUCȚIUNI DE SIGURANȚĂ COMUNE PENTRU OPERAȚII DE RECTIFICARE, ȘLEFUIRE CU HÂRTIE ABRAZIVĂ, LUCRUL CU PERIE DE SĂRMĂ, LUSTRIERE SAU TĂIERE CU DISC ABRAZIV

- ▶ Această sculă electrică se va folosi ca polizor, mașină de șlefuit cu hârtie abrazivă, perie din sârmă sau mașină de debitat. Citiți toate avertizările, instrucțiunile, ilustrațiile și specificațiile puse la dispoziție împreună cu această sculă electrică. Nerespectarea instrucțiunilor menționate mai jos poate duce la electrocutare, incendiu și/sau vătămări corporale grave.
- ▶ Nu se recomandă utilizarea acestei scule electrice pentru operații de lustruire. Operațiile pentru care această sculă electrică nu este destinată, pot fi periculoase și provoca vătămări corporale.
- ▶ Nu folosiți accesorii care nu sunt prevăzute în mod special și recomandate de către producătorul sculei electrice. Faptul în sine că accesoriul poate fi fixat pe scula dumneavoastră electrică nu garantează utilizarea sa sigură.
- ▶ Turația admisă pentru accesoriu trebuie să fie cel puțin egală cu turația maximă specificată pe scula electrică. Accesoriile cu o turație mai mare decât cea admisă se pot rupe și pot fi aruncate în toate părțile.
- ▶ Diametrul exterior și grosimea accesoriilor trebuie să corespundă dimensiunilor sculei dumneavoastră electrice. Accesoriile greșit dimensionate nu pot fi protejate sau controlate în mod corespunzător.
- ▶ Prinderea filetată a accesoriilor trebuie să se potrivească cu filetul arborelui de polizat. Pentru accesoriile montate cu flanșe, orificiul accesoriului trebuie să se potrivească cu diametrul flanșei. Accesoriile care nu se potrivesc exact pe arborele de polizat se roteesc neuniform, vibrează foarte puternic și pot duce la pierderea controlului.
- ▶ Nu utilizați accesorii deteriorate. Înainte de fiecare utilizare verificați dacă accesoriile precum discurile de șlefuire nu sunt rupte sau fisurate, dacă discurile suport nu sunt fisurate, rupte sau uzate, dacă periele din sârmă nu au fire desprinse sau rupte. Dacă scula electrică sau accesoriul cade pe jos, verificați dacă nu s-a deteriorat sau montați un accesoriu nedeteriorat. După ce ați controlat și montat accesoriul, țineți-vă pe dumneavoastră și pe persoanele aflate în preajmă în afara planului de rotație al accesoriului și lăsați scula electrică să meargă în gol un minut la turația nominală. În mod normal, accesoriile deteriorate se rup în această perioadă de probă.
- ▶ Purtați echipament personal de protecție. În funcție de utilizare, purtați o vizieră de protecție, ochelari

de protecție transparentă sau ochelari de protecție cu lentilă. Dacă este cazul, purtați mască de protecție împotriva prafului, protecție auditivă, mănuși de protecție sau șorț special care să vă ferească de micile așchii și fragmente desprinse din piesa de lucru. Echipamentul de protecție a ochilor trebuie să vă poată proteja ochii de corpurile străine aflate în zbor, apărute în cursul diferitelor operații. Maska de protecție împotriva prafului sau masca de protecție a respirației trebuie să filtreze particulele generate de aplicația dumneavoastră. Expunerea prelungită la zgomot puternic poate provoca pierderea auzului.

- ▶ Aveți grijă ca spectatorii să păstreze o distanță sigură față de sectorul dumneavoastră de lucru. Oricine pătrunde în sectorul de lucru trebuie să poarte echipament personal de protecție. Fragmente din piesa de lucru sau accesoriile rupte pot zbura necontrolat și provoca răni chiar în afara sectorului direct de lucru.
- ▶ Țineți scula electrică numai de mânerle izolate atunci când executați lucrări la care accesoriul de tăiere poate nimeri conductorii electrici ascunși sau propriul cablu de alimentare. Contactul accesoriului de tăiere cu un conductor "sub tensiune" poate pune sub tensiune componentele metalice ale sculei electrice și provoca electrocutarea operatorului.
- ▶ Țineți cablul de alimentare departe de accesoriul care se rotește. Dacă pierdeți controlul, cablul de alimentare poate fi tăiat sau prins, iar mâna sau brațul dumneavoastră poate nimeri sub accesoriul care se rotește.
- ▶ Nu puneți niciodată jos scula electrică înainte ca accesoriul să se fi oprit complet. Accesoriul care se rotește poate ajunge în contact cu suprafața de prrijin, fapt care vă poate face să pierdeți controlul asupra sculei electrice.
- ▶ Nu lăsați scula electrică să funcționeze în timp ce o transportați. În urma unui contact accidental cu accesoriul care se rotește, acesta vă poate prinde îmbrăcămintea și chiar pătrunde în corpul dumneavoastră.
- ▶ Curățați regulat fantele de aerisire ale sculei dumneavoastră electrice. Ventilatorul motorului atrage praf în carcasă iar acumularea excesivă de pulberi metalice poate provoca pericole electrice.
- ▶ Nu folosiți scula electrică în apropierea materialelor inflamabile. Scântelele pot duce la aprinderea acestor materiale.
- ▶ Nu folosiți accesorii care necesită agenți de răcire lichizi. Folosirea apei sau a altor agenți de răcire lichizi poate duce la electrocutare sau șoc electric.

## RECURSUL ȘI AVERTISMENTE CORESPUNZĂTOARE

Recurul este reacția bruscă, apărută la agățarea sau blocarea unui disc de șlefuire, disc suport, o perie de sârmă sau oricare alt accesoriu care se rotește. Agățarea sau blocarea duce la oprirea rapidă a accesoriului care se rotește, ceea ce face ca scula electrică necontrolată să fie accelerată în punctul de blocare, în sens contrar direcției de rotație a accesoriului. Dacă, de exemplu, un disc de șlefuire se agață sau se blochează în piesa de lucru, marginea discului de șlefuire care penetrează direct piesa de lucru, se poate prinde în aceasta și duce astfel la smulgerea discului



de șlefuire sau provoca recul. Discul de șlefuire se va deplasa spre operator sau în sens opus acestuia, în funcție de direcția de rotație a discului în punctul de blocare. În aceste condiții, discurile de șlefuire se pot chiar rupe.

Recul este consecința utilizării greșite și/sau defectuoase a sculei electrice și poate fi evitat prin măsuri preventive adecvate, precum cele descrise în continuare.

- ▶ Țineți ferm scula electrică și aduceți-vă corpul și brațele într-o poziție în care să puteți controla forțele de recul. Folosiți întotdeauna mânerul auxiliar, dacă acesta există, pentru a avea un control maxim asupra forțelor de recul sau a momentului de reacție din timpul pornirii. Operatorul poate controla momentele de reacție sau forțele de recul prin măsuri preventive adecvate.
- ▶ Nu apropiați niciodată mâinile de accesoriul aflat în mișcare de rotație. În caz de recul accesoriul se poate deplasa peste mâna dumneavoastră.
- ▶ Nu vă poziționați corpul în zona de mișcare a sculei electrice în caz de recul. Reculul proiectează scula electrică în direcție opusă mișcării discului de șlefuire din punctul de blocare.
- ▶ Lucrați extrem de atent în zona colțurilor, muchiilor ascuțite, etc. Evitați ricoșarea accesoriului și blocarea acestuia. Accesoriul care se rotește are tendința să se blocheze în colțuri, pe muchii ascuțite sau când ricoșează în urm izbirii și poate duce la pierderea controlului în caz de recul.
- ▶ Nu folosiți un lanț de ferăstrău pentru scobire în lemn sau pânze dințate. Astfel de pânze provoacă frecvent recul și pierderea controlului.

#### **AVERTISMENTE SPECIFICE PRIVIND OPERAȚIILE DE ȘLEFUIRE ȘI TĂIERE CU DISC ABRAZIV**

- ▶ Folosiți numai discuri recomandate pentru scula dumneavoastră electrică și o apărătoare de protecție specifică, prevăzută pentru discul selectat. Discurile care nu sunt prevăzute pentru această sculă electrică, nu pot fi protejate în mod corespunzător, fiind nesigure.
- ▶ Discurile cu degajare trebuie să fie astfel montate încât suprafața lor de șlefuire să se afle sub planul apărătoarei. Un disc montat incorect, care este proiectat prin planul apărătoarei nu poate nu poate fi protejat corespunzător.
- ▶ Apărătoarea de protecție trebuie fixată sigur pe scula electrică și astfel ajustată încât să atingă un grad maxim de siguranță în exploatare și numai o porțiune extrem de mică a discului să rămână expusă spre operator. Apărătoarea de protecție protejează operatorul de fragmentele desprinse prin șlefuire, atingerea accidentală a discului și de scânteile care ar putea provoca aprinderea hainelor.
- ▶ Discurile trebuie folosite numai pentru aplicațiile recomandate. De exemplu: nu șlefuiți cu partea laterală a unui disc de tăiere. Discurile de tăiere sunt destinate șlefuirii periferice, exercitarea unor forțe laterale asupra acestor discuri putând duce la ruperea lor.
- ▶ Folosiți întotdeauna flanșe de prindere nedeteriorate, având dimensiuni și forme corespunzătoare discului selectat. Flanșele adecvate sprijină discul, reducând astfel pericolul rupei acestuia. Flanșele

pentru discuri de tăiere pot fi diferite față de flanșele pentru discuri de șlefuire.

- ▶ Nu folosiți discuri de șlefuire uzate, provenind de la scule electrice mai mari. Discurile destinate sculelor electrice mai mari nu sunt concepute pentru turațiile mai înalte le sculelor electrice mai mici și se pot rupe.

#### **AVERTISMENTE SUPLIMENTARE SPECIFICE PENTRU OPERAȚIILE DE TĂIERE CU DISC ABRAZIV**

- ▶ Nu "blocați" discul de tăiere sau nu exercitați o forță de apăsare prea mare. Nu încercați să executați tăieri prea adânci. O supraîncărcare a discului mărește solicitarea acestuia și tendința sa de a devia sau răsuși și bloca în fanta de tăiere, apărând astfel posibilitatea unui recul sau a rupei discului.
- ▶ Nu vă poziționați corpul pe aceeași linie cu discul și în spatele discului care se rotește. Dacă, în punctul de tăiere, discul se deplasează în direcție opusă corpului dumneavoastră, un eventual recul ar putea arunca discul care se rotește cât și scula electrică direct spre dumneavoastră.
- ▶ Când discul se blochează sau dacă întrerupeți tăierea dintr-un anumit motiv, opriți scula electrică și țineți-o nemișcată până când discul se oprește complet. Nu încercați niciodată să scoateți discul din fanta de tăiere cât timp discul încă se mai rotește, în caz contrar existând pericol de recul. Identificați și eliminați cauza blocării discului.
- ▶ Nu reîncepeți operația de tăiere cât timp discul se mai află în piesa de lucru. Lăsați discul să atingă turația maximă și introduceți din nou cu grijă discul în tăietură. Discul s-ar putea bloca, sări afară din piesa de lucru sau provoca recul, în cazul în care scula electrică este repornită cu discul introdus în piesa de lucru.
- ▶ Sprijiniți panourile sau piesele supradimensionate pentru a reduce la minimum riscul de blocare a discului și de recul. Piesele de lucru mari se pot încovoia sub propria greutate. Piesele trebuie sprijinite pe ambele părți ale discului, atât în apropierea liniei de tăiere cât și la margine.
- ▶ Lucrați cu atenție deosebită la "tăierile tip buzunar" în pereți sau alte zone greu vizibile. Discul care pătrunde în material poate tăia țevi de gaze sau de apă, cabluri electrice sau obiecte care să provoace recul.

#### **INSTRUCȚIUNI DE SIGURANȚĂ SPECIFICE PENTRU OPERAȚII DE ȘLEFUIRE CU HÂRTIE ABRAZIVĂ**

Nu folosiți foi de hârtie abrazivă supradimensionate. La alegerea hârtiei abrazive, respectați recomandările fabricantului. Foile de hârtie abrazivă care depășesc marginile discului suport pot produce răni și provoca agățarea, ruperea discului sau pot duce la recul.

#### **INSTRUCȚIUNI DE SIGURANȚĂ SPECIFICE PENTRU LUCRUL CU PERII DE SĂRMĂ**

- ▶ Țineți seama de faptul că peria de sărmă pierde bucăți de sărmă chiar în timpul utilizării obișnuite. Nu suprasolicitați firele de sărmă printr-o apăsare prea puternică. Bucățile de sărmă desprinse pot pătrunde cu ușurință prin îmbrăcămintea subțire și/sau

prin piele.

- ▶ Dacă se recomandă o apărătoare de protecție pentru lucrul cu peria de sârmă, împiedicați contactul dintre discul-perie sau peria de sârmă și apărătoarea de protecție. Discul-perie sau peria de sârmă își poate mări diametrul sub sarcină și sub acțiunea forțelor centrifuge.

#### INSTRUCȚIUNI DE SIGURANȚĂ SUPPLEMENTARE

- ▶ Purtați ochelari de protecție.
- ▶ Folosiți detectoare adecvate pentru a localiza conducte de alimentare ascunse sau adresați-vă în acest scop regiei locale furnizoare de utilități. Contactul cu conductorii electrici poate duce la incendiu și electrocutare. Deteriorarea unei conducte de gaz poate provoca explozii. Spargerea unei conducte de apă cauzează pagube materiale sau poate duce la electrocutare.
- ▶ Nu atingeți discurile de șlefuit și de tăiere înainte ca acestea să se fi răcit. Discurile se înfierbântă puternic în timpul lucrului.
- ▶ Atunci când alimentarea cu energie electrică este întreruptă, de exemplu în cazul unei pene de curent, deblocați întrerupătorul pornit/oprit și aduceți-l în poziția oprit sau scoateți ștecherul afară din priză de curent. Astfel veți împiedica o repornire necontrolată.
- ▶ Asigurați piesa de lucru. O piesă de lucru fixată cu dispozitive de prindere sau într-o menghină este ținută mai sigur decât cu mâna dumneavoastră.

#### CONECTAREA LA SURSA DE ALIMENTARE

Asigurați-vă că informațiile privind alimentarea de pe plăcuța de identificare a echipamentului sunt compatibile cu alimentarea la care doriți să o conectați. Acest echipament face parte din Clasa II și este proiectat să fie conectat la o sursă de alimentare detaliată pe plăcuța de identificare și compatibilă cu ștecherul livrat. Dacă este necesar un prelungitor, folosiți un prelungitor compatibil aprobat pentru acest echipament. Urmați toate instrucțiunile livrate cu prelungitorul.

#### INSTRUCȚIUNI PRIVIND UTILIZAREA PRELUNGI-TOARELOR

- ▶ Asigurați-vă că prelungitorul dumneavoastră este în stare bună. La utilizarea unui prelungitor, asigurați-vă că acesta este destul de rezistent să suporte curentul consumat de unealta electrică. Un cablu subdimensionat va determina o cădere a tensiunii, cauzând pierderi de putere și supraîncălzire.
- ▶ Întotdeauna înlocuiți prelungitorul avariat sau trimiteți-l spre a fi reparat de o persoană calificată înainte de a-l utiliza.
- ▶ Protejați prelungitoarele de obiectele ascuțite, căldură excesivă și zone umede/cu igrasie.
- ▶ Utilizați un circuit electric separat pentru uneltele dumneavoastră. Acest circuit trebuie să fie protejat cu o siguranță cu decalaj. Anterior conectării la circuitul de alimentare, asigurați-vă că întrerupătorul se află în poziția OFF (oprit) și tensiunea electrică are aceeași valoare cu cea indicată pe plăcuța de identificare a motorului. Operarea la o tensiune mai scăzută va avaria motorul.

## SPECIFICAȚIILE PRODUSULUI

### DOMENIUL DE UTILIZARE

Scula electrică este destinată tăierii, degroșării și perierii materialelor metalice și a pietrei fără a se utiliza apă.

#### DATE TEHNICE

Număr de identificare		44 826	44 827
Model AG 125/PRO		1100E	1200EC
Tensiune nominală	V	220-240	
	Hz	50/60	
Putere nominală	W	1.100	1.200
Turație nominală	min <sup>-1</sup>	4.000-12.200	4.000-12.200
Diametru max. disc de șlefuit	mm	125	
Filet arbore de polizat		M14	
Težina	kg	2,0	2,1

#### Valorile zgomotului emis au fost determinate conform EN 60745-1, EN 60745-2-3

Nivelul de zgomot evaluat A al mașinii este în mod normal de

Nivel presiune sonoră	dB(A)	90,2
Nivel putere sonoră	dB(A)	101,2
Incertitudine K	dB	3

#### Valorile totale ale vibrațiilor $a_h$ (suma vectorială a trei direcții) și incertitudinea K au fost determinate conform EN 60745-1, EN 60745-2-3

#### Nivelul vibrațiilor:

$a_{h,AG}$	m/s <sup>2</sup>	9,063
K	m/s <sup>2</sup>	1,5

### INFORMAȚIE PRIVIND ZGOMOTUL/VIBRAȚIILE

Nivelul vibrațiilor specificat în prezentele instrucțiuni a fost măsurat conform unei proceduri de măsurare standardizate în EN 60745 și poate fi utilizat la compararea diferitelor scule electrice. El poate fi folosit și pentru evaluarea provizorie a solicitării vibratorii. Nivelul specificat al vibrațiilor se referă la cele mai frecvente utilizări ale sculei electrice. În eventualitatea în care scula electrică este utilizată pentru alte aplicații, împreună cu accesorii diverse sau care diferă de cele indicate sau nu beneficiază de o întreținere satisfăcătoare, nivelul vibrațiilor se poate abate de la valoarea specificată. Aceasta poate amplifica considerabil solicitarea vibratorie de-a lungul întregului interval de lucru.

Pentru o evaluare exactă a solicitării vibratorii ar trebui luate în calcul și intervalele de timp în care scula electrică este deconectată sau funcționează, dar nu este utilizată efectiv. Această metodă de calcul ar putea duce la reducerea considerabilă a valorii soli-

citării vibratorii pe întreg intervalul de lucru. Stabiliți măsuri de siguranță suplimentare pentru protejarea utilizatorului împotriva efectului vibrațiilor, ca de exemplu: întreținerea sculei electrice și a accesoriilor, menținerea căldurii mâinilor, organizarea proceselor de muncă.

## IDENTIFICARE

1. Întrerupător pornit/oprit
2. Tastă de blocare ax
3. Mâner suplimentar
4. Dispozitiv de protecție
5. Pârghie de deblocare pentru apărtoarea de protecție
6. Axul
7. Flanșă de prindere
8. Cheie pentru piulițe
9. Flanșă de montare
10. Rozetă de reglare a preselecției turației

## UTILIZAREA

### MONTAREA ACCESORIILOR (E)

- ▶ Curățați fusul (6) și toate părțile care urmează a fi montate.
- ▶ Strângeți flanșa de prindere (7) cu cheia de (8) în timp ce apăsați butonul de blocare a fusului (2).
- ▶ Pentru demontarea accesoriilor acționați în ordinea inversă a operațiilor.

### MONTAREA MÂNERUL AUXILIAR (C)

Înșurubați mânerul suplimentar (3) în funcție de modul de lucru, în partea stângă sau dreaptă a capului angrenajului.

### DEMONTAREA/MONTAREA/REGLAJUL DISPOZITIVUL DE PROTECȚIE (B)

- ▶ Efaceți dispozitivul de protecție prin deșurubarea șurubului (5) (nu îl scoateți).
- ▶ Așezați dispozitivul de protecție (4) pe mansonul fusului de pe port-sculă și răsușiți-l în poziția cerută (în funcție de operația care trebuie realizată).
- ▶ Reglați apărtoarea de protecție (4) apăsând pârghia (5).

### ÎNAINTE DE A FOLOSI SCULA

- ▶ Asigurați-vă că accesoriul este corect montat și bine strâns.
- ▶ Verificați dacă accesoriul se învârteste liber, rotindu-l cu mâna.
- ▶ Testați sculă în funcționare cel puțin 60 de secunde la cea mai mare turație de mers în gol într-o poziție sigură.
- ▶ Opriti imediat în cazul unor vibrații considerabile sau al altor defecte și verificați sculă pentru a stabili cauza.

### ÎNTRERUPĂTORUL CU BLOCARE PORNIT/OPRIT (D)

- ▶ Pentru punerea în funcțiune a sculei electrice, împingeți spre înainte comutatorul de pornire/oprire (1).
- ▶ Pentru fixarea în poziție a comutatorului de pornire/oprire (1), apăsați comutatorului de pornire/oprire (1) spre înainte și în jos, până când se fixează în poziție.

- ▶ Pentru a deconecta scula electrică, eliberați comutatorul de pornire/oprire (1) sau, atunci când este blocat, apăsați scurt în spre înapoi și în jos comutatorul de pornire/oprire (1), iar apoi eliberați-l.

### PRESELECȚAREA TURAJIEI

Cu ajutorul rozetei de reglare a preselecției turației (10), poți preselecți turația dorită chiar și în timpul funcționării sculei. Cifrele din tabelul următor sunt valori recomandate.

### ȘLEFUIREA

Cu un unghi de atac între 30° și 40° veți obține cele mai bune rezultate la degroșare. Deplasați înainte și înapoi scula electrică apăsând-o moderat. În acest mod piesa de lucru nu se va încălzi prea tare, nu-și va modifica culoarea și nu va prezenta creștături.

### TĂIEREA

- ▶ Atunci când tăieți nu basculați sculă.
- ▶ Mișcați întotdeauna sculă în aceeași direcție ca și săgeata de pe port-sculă pentru ca sculă să nu fie aruncată din tăiere în mod necontrolat.
- ▶ Nu apăsați scula; lăsați viteza discului de tăiere să-și îndeplinească sarcina.
- ▶ Viteza de lucru a discului de tăiere depinde de materialul care trebuie tăiat.
- ▶ Nu blocați discurile de tăiere cu presiune laterală.

### ÎNȚREȚINERE

Inspekția și curățarea regulată reduce necesitatea operațiunilor de întreținere și va păstra echipamentul în stare bună de funcționare. Motorul trebuie ventilat corect în timpul operării. Din acest motiv evitați blocarea intrărilor de aer.

### PROTECȚIA MEDIULUI

Reciclați materiile prime în loc să le eliminați ca deșeuri. Aparatul, accesoriile și ambalajul trebuie sortate pentru reciclarea ecologică. Componentele din plastic sunt etichetate pentru reciclarea pe categorii.

### GARANȚIE

Acest produs este garantat în conformitate cu reglementările legale/specifice fiecărei țări, în vigoare la data achiziției de către primul utilizator. Avariile care pot fi atribuite uzurii normale, supraîncălzirii sau manipulării necorespunzătoare vor fi excluse din garanție. În cazul unei revendicări, vă rugăm să trimiteți aparatul, complet asamblat, la distribuitorul dvs. sau la Centrul de service pentru aparate electrice.

## БЪЛГАРСКИ

### ОБЩИ УКАЗАНИЯ ЗА БЕЗОПАСНА

#### РАБОТА

**ВНИМАНИЕ!** Прочетете внимателно всички указания. Неспазването на приведените по-долу указания може да доведе до токов удар, пожар и/или тежки травми.

Съхранявайте тези указания на сигурно място. Използваният по-долу термин «електроинструмент» се отнася до захранвани от електрическата мрежа електроинструменти (със захранващ кабел) и до захранвани от акумулаторна батерия електроинструменти (без захранващ кабел).

#### БЕЗОПАСНОСТ НА РАБОТНОТО МЯСТО

- ▶ Поддържайте работното си място чисто и добре осветено. Безпорядъкът и недостатъчното осветление могат да спомогнат за възникването на трудова злополука.
- ▶ Не работете с електроинструмента в среда с повишена опасност от възникване на експлозия, в близост до леснозапалими течности, газове или прахообразни материали. По време на работа в електроинструментите се отделят искри, които могат да възпламенят прахообразни материали или пари.
- ▶ Дръжте деца и странични лица на безопасно разстояние, докато работите с електроинструмента. Ако вниманието Ви бъде отклонено, може да загубите контрола над електроинструмента.

#### БЕЗОПАСНОСТ ПРИ РАБОТА С ЕЛЕКТРИЧЕСКИ ТОК

- ▶ Щепселът на електроинструмента трябва да е подходящ за ползвания контакт. В никакъв случай не се допуска изменение на конструкцията на щепсела. Когато работите със занулени електроуреди, не използвайте адаптери за щепсела. Ползването на оригинални щепсели и контакти намалява риска от възникване на токов удар.
- ▶ Избягвайте допира на тялото Ви до заземени тела, напр. тръби, отоплителни уреди, пещи и хладилници. Когато тялото Ви е заземено, рискът от възникване на токов удар е по-голям.
- ▶ Предпазвайте електроинструмента си от дъжд и влага. Проникването на вода в електроинструмента повишава опасността от токов удар.
- ▶ Не използвайте захранващ кабел за щели, за които той не е предвиден, напр. за да носите електроинструмента за кабела или да извадите щепсела от контакта. Предпазвайте кабела от нагриване, омасляване, допир до остри ръбове или до подвижни звена на машини. Повредени или усукани кабели увеличават риска от възникване на токов удар.
- ▶ Когато работите с електроинструмент навън, използвайте само удължителни кабели, подходящи за работа на открито. Използването на удължител, предназначен за работа на открито, намалява риска от възникване на токов удар.
- ▶ Ако се налага използването на електроин-

струмента във влажна среда, използвайте предпазен прекъсвач за утечни токове. Използването на предпазен прекъсвач за утечни токове намалява опасността от възникване на токов удар.

#### БЕЗОПАСЕН НАЧИН НА РАБОТА

- ▶ Бъдете концентрирани, следете внимателно действията си и постъпвайте предпазливо и разумно. Не използвайте електроинструмента, когато сте уморени или под влиянието на наркотични вещества, алкохол или упойващи лекарства. Един миг разсеяност при работа с електроинструмент може да има за последствие изключително тежки наранявания.
- ▶ Работете с предпазващо работно облекло и винаги с предпазни очила. Носенето на подходящи за ползвания електроинструмент и извършваната дейност лични предпазни средства, като дихателна маска, здрави плънотазовени обувки със стабилен грайфер, защитна каска или шумозаглушители (антифони), намалява риска от възникване на трудова злополука.
- ▶ Избягвайте опасността от включване на електроинструмента по невнимание. Преди да включите щепсела в захранващата мрежа или да поставите акумулаторната батерия, се уверявайте, че пусковият прекъсвач е в положение «изключено». Ако, когато носите електроинструмента, държите пръста си върху пусковия прекъсвач, или ако подавате захранващо напрежение на електроинструмента, когато е включен, съществува опасност от възникване на трудова злополука.
- ▶ Преди да включите електроинструмента, се уверявайте, че сте отстранили от него всички помощни инструменти и гаечни ключове. Помощен инструмент, забравен на въртящо се звено, може да причини травми.
- ▶ Избягвайте неестествените положения на тялото. Работете в стабилно положение на тялото и във всеки момент поддържайте равновесие. Така ще можете да контролирате електроинструмента по-добре и безопасно, ако възникне неочаквана ситуация.
- ▶ Работете с подходящо облекло. Не работете с широки дрехи или украшения. Дръжте косата си, дрехите и ръкавици на безопасно разстояние от въртящи се звена на електроинструментите. Широките дрехи, украшенията, дългите коси могат да бъдат захванати и увлечени от въртящи се звена.

#### ГРИЖЛИВО ОТНОШЕНИЕ КЪМ ЕЛЕКТРОИНСТРУМЕНТИТЕ

- ▶ Не претоварвайте електроинструмента. Използвайте електроинструментите само съобразно тяхното предназначение. Ще работите по-добре и по-безопасно, когато използвате подходящия електроинструмент в зададения от производителя диапазон на натоварване.
- ▶ Не използвайте електроинструмент, чиито пусков прекъсвач е повреден. Електроин-

струмент, който не може да бъде изключван и включван по предвидения от производителя начин, е опасен и трябва да бъде ремонтиран.

- ▶ Преди да променяте настройките на електроинструмента, да замените работни инструменти и допълнителни приспособления, както и когато продължително време няма да използвате електроинструмента, изключвайте щепсела от захранващата мрежа и/или изваждайте акумулаторната батерия. Тази мярка премахва опасността от задействане на електроинструмента по невнимание.
- ▶ Съхранявайте електроинструментите на места, където не могат да бъдат достигнати от деца. Не допускайте те да бъдат използвани от лица, които не са запознати с начина на работа с тях и не са прочели тези инструкции. Когато са в ръцете на неопитни потребители, електроинструментите могат да бъдат изключително опасни.
- ▶ Поддържайте електроинструментите си грижливо. Проверявайте дали подвижните звена функционират безукорно, дали не заклинват, дали има счупени или повредени детайли, които нарушават или изменят функциите на електроинструмента. Преди да използвате електроинструмента, се погрижете повредените детайли да бъдат ремонтирани. Много от трудовите злополуки се дължат на недобре поддържани електроинструменти и уреди.
- ▶ Поддържайте режещите инструменти винаги добре заточени и чисти. Добре поддържаните режещи инструменти с остри ръбове оказват по-малко съпротивление и се водят по-леко.
- ▶ Използвайте електроинструментите, допълнителните приспособления, работните инструменти и т.н., съобразно инструкциите на производителя. При това се съобразявайте и с конкретните работни условия и операция, които трябва да изпълните. Използването на електроинструменти за различни от предвидените от производителя приложения повишава опасността от възникване на трудови злополуки.

## ПОДДЪРЖАНЕ

Допускайте ремонтът на електроинструментите Ви да се извършва само от квалифицирани специалисти и само с използването на оригинални резервни части. По този начин се гарантира съхраняване на безопасността на електроинструмента.

## УКАЗАНИЯ ЗА БЕЗОПАСНА РАБОТА С ЪГЛОШЛАЙФИ

### ОБЩИ УКАЗАНИЯ ЗА БЕЗОПАСНОСТ ПРИ ШЛИФОВАНЕ, ШЛИФОВАНЕ С ШКУРКА, ПОЧИСТВАНЕ С ТЕЛЕНИ ЧЕТКИ ИЛИ АБРАЗИВНО РЯЗАНЕ

- ▶ Този електроинструмент е замислен да функционира като шлайфмашина, шкурка, телена четка или инструмент за рязане. Прочетете всички предупреждения, указания, запознайте се с фигурите и техническите характеристики, приложени към електроинструмента. Пропуски при спазва-

нето на указанията по-долу могат да предизвикат токов удар и/или тежки травми.

- ▶ Дейности като полиране не се препоръчва да се извършват с този електроинструмент. Дейности, за които електроинструментът не е предназначен, могат да повишат опасността и да предизвикат наранявания.
- ▶ Не използвайте работни инструменти и допълнителни приспособления, които не са специално проектирани и утвърдени за ползване от производителя на електроинструмента. Фактът, че дадено приспособление може да бъде монтирано на електроинструмента, не гарантира, че работата с него е безопасна.
- ▶ Скоростта на въртене на работния инструмент трябва да е най-малкото равна на максималната скорост на въртене на електроинструмента. Работни инструменти, които се въртят по-бързо от предвиденото, могат да се разрушат и да се разлетят на парчета.
- ▶ Външният диаметър и дебелината на работния инструмент трябва да бъдат в границите, за които електроинструментът е проектиран. Работни инструменти с неподходящи размери не могат да бъдат осигурени и контролирани правилно.
- ▶ Присъединителният отвор с нарез на аксесоарите трябва да пасва на резбата на вала на ъглошлайфа. М3а работни инструменти, монтирани на центровачи м.фланци, присъединителният отвор на приспособлението трябва да пасва на центровачното стъпало на фланеца. Работни инструменти, които не пасват на присъединителните елементи на електроинструмента, имат биене, вибрират силно и могат да предизвикат загуба на контрол над електроинструмента.
- ▶ Не използвайте повредени работни инструменти. Винаги преди ползване проверявайте работния инструмент, напр. абразивни дискове за отчупвания и пукнатини, подложка за пукнатини или износване, телени четки за разхлабени или счупени телчета. Ако електроинструментът или работният инструмент бъдат изпуснати, ги проверявайте за повреда или ползвайте други. След като сте проверили и монтирали работния инструмент оставете електроинструмента да работи в продължение на една минута с максимална скорост на въртене, като държите себе си и намиращи се наблизо лица извън равнината на въртене на работния инструмент. Повредени работни инструменти се чупят най-често през този пробен период.
- ▶ Работете с лични предпазни средства. В зависимост от конкретните условия използвайте цяла маска за лице, защита на очите или предпазни очила. Ако е необходимо, работете с противопрахова маска, шумозаглушители (антифони), ръкавици и работна престилка, която е в състояние да спре отхвърчащи малки абразивни парченца. Очите трябва да са предпазени от дребни парченца, които могат да отхвърчат по време на работа. Противопраховата или дихателната маска трябва да могат да филтрират възникващия по време на работа прах. Ако продължително време сте изложени на въздействието на силен шум, можете да претърпите частична загуба на слух.

- ▶ Дръжте намиращи се наблизо лица на безопасно разстояние от работната зона. Всеки, който се намира в работната зона, трябва да носи лични предпазни средства. Парченца от обработвания детайл, или работния инструмент могат да отхвърчат с голяма скорост и да причинят наранявания и извън непосредствената зона на работа.
- ▶ Когато изпълнявате операция, при която съществува опасност режещият инструмент да може да засегне скрити под повърхността проводници под напрежение или захранващия кабел, допирайте режещия аксесоар само до изолираните повърхности на ръкохватките. При контакт на режещия аксесоар с проводник под напрежение е възможно напрежението да се предаде по металните детайли на електроинструмента и това да предизвика токов удар.
- ▶ Дръжте захранващия кабел на безопасно разстояние от въртящи се елементи. Ако загубите контрол над електроинструмента, кабелът може да бъде разрязан или да бъде увлечен и ръката Ви може да бъде наранена от въртящия се работен инструмент.
- ▶ Никога не оставяйте електроинструмента преди въртенето да е спряло напълно. Въртящият се работен инструмент може да допре повърхността и да ускори неконтролирано електроинструмента.
- ▶ Не включвайте електроинструмента, докато го носите, обърнат към Вас. Случаен допир до въртящия се работен инструмент може да увлече дрехите Ви и работният инструмент да Ви нарани.
- ▶ Периодично почиствайте вентилационните отвори на електроинструмента. Вентилаторът на електродвигателя засмуква прах, а отлагането на метален прах по вътрешността на корпуса може да предизвика опасност от токов удар.
- ▶ Не работете с електроинструмента в близост до леснозапалими материали. Искри могат да възпламенят тези материали.
- ▶ Не използвайте работни инструменти и приспособления, които изискват течно охлаждане. Ползването на вода или друг течен реагент може да предизвика късо съединение или токов удар.

#### **ОТКАТ И НАЧИНИ НА ИЗБЯГВАНЕТО МУ**

Откат е внезапна реакция вследствие на блокиране или заклиняване на въртящия се абразивен диск, подложен диск, телена четка или друг работен инструмент. Заклиняването или блокирането предизвиква внезапно спиране на въртящия се работен инструмент, което от своя страна предизвиква неконтролирано рязко ускоряване на електроинструмента в посока, обратна на въртенето на работния инструмент в точката на блокиране. Ако напр. абразивен диск се заклини или блокира в детайла, частта от ръба на диска, която се връзва в детайла, може да се вреже рязко в повърхността, вследствие на което дискът да отскочи силно. Дискът се ускорява към работещия с електроинструмента или в обратна посока в зависимост от това в каква посока е движението му в точката на заклиняване. В такива случаи абразивните дискове могат и да се счупят. Откатът възниква като следствие от неправилно

или погрешно ползване на електроинструмента и може да бъде збегнат чрез подходящи предпазни мерки, както е описано по-долу.

- ▶ Дръжте електроинструмента винаги здраво и поддържайте позицията на тялото и на ръцете си, при която ще можете ефективно да противостоите на евентуално възникнал откат. Винаги ползвайте спомагателната ръкохватка, ако има такава, за да можете в максимална степен да овладееете отката или реакционния момент при включване. Ако бъдат взети подходящи предпазни мерки, работещият с електроинструмента може да противостои на реакционния момент или на откат.
- ▶ Никога не дръжте ръцете си в близост до въртящия се работен инструмент. При откат работният инструмент може да Ви нарани.
- ▶ Не дръжте тялото си в зона, в която електроинструментът ще бъде изхвърлен при евентуален откат. Откатът ще ускори електроинструмента в посока, обратна на движението на работния инструмент в точката на блокиране.
- ▶ Бъдете изключително внимателни, когато работите в ъгли, по остри ръбове и др.п. Избягвайте рязкото връзване на диска. Ъглите, острите ръбове или рязкото връзване са предпоставка за заклиняване на работния инструмент и загуба на контрол или откат.
- ▶ Не монтирайте режеща верига, фрезери или дискове със зъби. Такива инструменти предизвикват често откат и загуба на контрол.

#### **ПРЕДУПРЕЖДЕНИЯ ЗА БЕЗОПАСНОСТ, СПЕЦИФИЧНИ ЗА ДЕЙНОСТИ ПО ШЛИФОВАНЕ И АБРАЗИВНО РЯЗАНЕ**

- ▶ Използвайте само дискове, препоръчвани за Вашия електроинструмент, и прегради, проектирани за съответните дискове. Дискове, за които електроинструментът не е предназначен, не могат да бъдат обезопасени адекватно и са опасни.
- ▶ Работната повърхност на ексцентриков абразивен диск трябва да е скрита в предпазния накрайник. Неправилно монтиран диск, който се подава извън предпазния накрайник, не може да бъде обезопасен адекватно.
- ▶ Преградата трябва да бъде захваната здраво към електроинструмента и да е в позиция, осигуряваща максимална безопасност, така че възможно наймалка част от диска да е свободна към оператора. Преградата предпазва оператора от откърващи се парченца от диска, допир до диска по невнимание и от искрите, които могат да изгорят дрехите.
- ▶ Дисковете трябва да се ползват само за целите, за които са предназначени. Например: не шлифвайте с диск за рязане. Абразивните дискове за рязане са предназначени за отнемане на материал с ръба на диска, странично натоваване може да ги счупи.
- ▶ Винаги използвайте изправни фланци, които са с подходяща форма и размери за избираня диск. Подходящите фланци укрепват диска и така намаляват опасността от счупването му. Фланците за дискове за рязане може да са различни от фланците за дискове за шлифване.
- ▶ Не използвайте износени дискове от по-голе-

ми ъглошлийфи. Дисквете, предназначени за по-големи електроинструменти, не са подходящи за по-високите скорости на въртене на малките електроинструменти и могат да се разрушат.

## ДОПЪЛНИТЕЛНИ УКАЗАНИЯ ЗА БЕЗОПАСНОСТ, СПЕЦИФИЧНИ ЗА АБРАЗИВНО РЯЗАНЕ

- ▶ Избягвайте блокиране на режещия диск или твърде силно притискане. Не изпълнявайте прекалено дълбоки срезове. Претоварването на режещия диск увеличава склонността му към измятане или блокиране и с това опасността от откат или счупване на абразивния диск.
- ▶ Не дръжте тялото си пред или зад въртящия се диск. Ако премествате режещия диск от Вас навън, в случай на откат електроинструментът с въртящия се диск може да отскочи непосредствено към Вас.
- ▶ Ако режещият диск се заклини или когато прекъсвате работа, изключете електроинструмента и го задръжте, докато дискът спре да се върти напълно. Никога не опитвайте да извадите въртящия се по инерция диск от среза, в противен случай може да възникне откат. Определете и отстранете причината за заклиняването.
- ▶ Не включвайте електроинструмента, ако той е още в детайла. Преди внимателно да продължите рязане, изчакайте дискът да се развърти до пълните си обороти. Ако електроинструментът бъде включен, докато дискът е в среза, дискът може да се заклини, да изскочи от детайла или да предизвика откат.
- ▶ Подпирайте плочи или големи детайли, за да избегнете риска от притискане на диска в междината и откат. Големи детайли могат да се огънат под действие на силата на собственото си тегло. Детайлът трябва да бъде подпрян от двете страни на среза, както в близост до среза, така и в далечния край.
- ▶ Бъдете особено внимателни при срезове с пробиване в съществуващи стени или други зони без видимост от обратната страна. Врязващият се диск може да предизвика откат при попадане на газо-, водо-, електропроводи или други обекти.

## СПЕЦИФИЧНИ УКАЗАНИЯ ЗА БЕЗОПАСНОСТ ПРИ ШЛИФОВАНЕ

Не използвайте листовے шкурка с по-големи размери. При избора на шкурка спазвайте указанията на производителя. Ако шкурката се подава извън подложния диск, съществува опасност от разкъсването ѝ, захващане на парчета от нея и скъсване на диска или откат.

## СПЕЦИФИЧНИ УКАЗАНИЯ ЗА БЕЗОПАСНОСТ ПРИ РАБОТА С ТЕЛЕНИ ЧЕТКИ

- ▶ Съобразявайте се, че и при нормално ползване от телената четка отхвърчат телчета. Не подлагайте на прекомерно натоварване телта на четката. Телта може лесно да проникне през леки дрехи и/или през кожата.
- ▶ Ако при работа с телена четка се препоръчва ползването на предпазен кожух, телената четка не трябва да допира предпазния кожух. Вслед-

ствие на силите на притискане или центробежните сили диаметърът на телената четка може да се увеличи по време на работа.

## ДОПЪЛНИТЕЛНИ УКАЗАНИЯ ЗА БЕЗОПАСНОСТ

- ▶ Работете с предпазни очила.
- ▶ Използвайте подходящи прибори, за да откриете евентуално скрити под повърхността тръбопроводи, или се обърнете към съответното местно снабдително дружество. Влизането в съприкосновение с проводници под напрежение може да предизвика пожар и токов удар. Увреждането на газопровод може да доведе до експлозия. Повреждането на водопровод има за следствие големи материални щети и може да предизвика токов удар.
- ▶ Не допирайте абразивните дискове, преди да са се охладили. По време на работа дисковете се нагряват силно.
- ▶ Ако захранващото напрежение бъде прекъснато (напр. вследствие на прекъсване на тока или ако щепселът бъде изваден от контакта), деблокирайте пусковия прекъсвач и го поставете в позиция изключено. Така предотвратявате неконтролирано включване на електроинструмента.
- ▶ Осигурявайте обработвания детайл. Детайл, захранан с подходящи приспособления или скоби, е застопорен по здраво и сигурно, отколкото, ако го държите с ръка.

## СВЪРЗВАНЕ КЪМ ЕЛЕКТРИЧЕСКАТА МРЕЖА

Уверете се, че информацията за захранването на табелката с данни за номиналната мощност на машината е съвместима с електрозахранването, към което възнамерявате да я свържете. Този уред е Клас II и е предназначен за свързване към захранване, съответстващо на описаното на табелката и съвместимо с монтирания щепсел. Ако е необходим удължител, използвайте одобрен и съвместим кабел, предназначен за характеристиките на този уред. Следвайте инструкциите, предоставени с удължителя.

## УКАЗАНИЯ ЗА ИЗПОЛЗВАНЕ НА УДЪЛЖИТЕЛНИ КАБЕЛИ

- ▶ Уверете се, че вашият удължителен кабел е в добро състояние. Когато използвате удължителен кабел, не забравяйте да използвате достатъчно тежък кабел, който да може да понесе електричеството, от което ще се захранва вашият продукт. Кабел с по-малка дължина ще причини спад в мрежовото напрежение, което ще доведе до загуба на мощност и прегряване.
- ▶ Уверете се, че вашият удължителен кабел е правилно свързан и е в добро състояние. Винаги подменяйте повредения удължителен кабел или осигурявайте поправянето му от квалифицирано лице, преди да го използвате.
- ▶ Предпазвайте удължителните кабели от остри предмети, прекомерна топлина и мокри/влажни зони.
- ▶ Използвайте отделна електрическа верига за вашите инструменти. Тази верига трябва да бъде защитена с подходящ предпазител със

забавено действие. Преди да свържете мотора към захранващия кабел, се уверете, че ключът е в положение ИЗКЛ. и че електрическото напрежение е същото като напрежението, отпечатано на табелката на двигателя. Работата с по-ниско напрежение ще повреди мотора.

## СПЕЦИФИКАЦИИ НА ПРОДУКТА

### ПРЕДНАЗНАЧЕНИЕ

Електроинструментът е предназначен за рязане, шмиргелене и почистване с четка на метални и каменни материали без използване на вода.

### ТЕХНИЧЕСКИ ДАННИ

Артикул №	44 826	44 827
Модел AG 125/PRO	1100E	1200EC

Номинално напрежение	V	220-240	
	Hz	50/60	

Номинална консумирана мощност	W	1.100	1.200
-------------------------------	---	-------	-------

Номинална скорост на въртене	min <sup>-1</sup>	4.000-	4.000-
		12.200	12.200

макс. диаметър на шлифовачния диск	mm	125	
------------------------------------	----	-----	--

Резба на вала	M14		
---------------	-----	--	--

Тегло	kg	2,0	2,1
-------	----	-----	-----

### Стойностите на излъчвания шум са определени съгласно EN 60745-1, EN 60745-2-3

Равнището А на излъчвания шум обикновено е

Равнище на звуковото налягане	dB(A)	90,2
-------------------------------	-------	------

Мощност на звука	dB(A)	101,2
------------------	-------	-------

Неопределеност К	dB	3
------------------	----	---

### Пълната стойност на вибрациите a<sub>v</sub> (векторната сума по трите направления) и неопределеността К са определени съгласно EN 60745-1, EN 60745-2-3

### Ниво на вибрации:

a <sub>v,AG</sub>	m/s <sup>2</sup>	9,063
К	m/s <sup>2</sup>	1,5

### ИНФОРМАЦИЯ ЗА ШУМ / ВИБРАЦИЯ

Посоченото в това ръководство за експлоатация равнище на генерираните вибрации е измерено съгласно процедура, стандартизирана в EN 60745, и може да служи за сравняване на електроинструменти един с друг. То е подходящо също и за предварителна ориентировъчна преценка на натоварването от вибрации.

Посоченото ниво на генерираните вибрации е представително за най-често срещаните приложения на електроинструмента. Ако обаче електроинструментът бъде използван за други дейности, с различни работни инструменти или без

необходимото техническо обслужване, нивото на вибрациите може да се различава. Това би могло да увеличи значително сумарното натоварване от вибрации в процеса на работа.

За точната преценка на натоварването от вибрации трябва да бъдат взимани предвид и перифериите, в които електроинструментът е изключен или работи, но не се ползва. Това би могло значително да намали сумарното натоварване от вибрации.

Предписвайте допълнителни мерки за предпазване на работещия с електроинструмента от въздействието на вибрациите, например: техническо обслужване на електроинструмента и работните инструменти, поддържане на ръцете топли, целесъобразна организация на работните стъпки.

### ИДЕНТИФИКАЦИЯ

1. Пусков прекъсвач
2. Бутон за блокиране на вала
3. Спомагателна ръкохватка
4. Защитна охрана
5. Освобождаващ лост за предпазния кожух
6. Шпиндел
7. Затягащ фланец
8. Гаечен ключ
9. Скрепяващия фланец
10. Колелце за регулиране предварителен избор на обороти

### УПОТРЕБА

#### МОНТИРАНЕ НА АКСЕСОАРИТЕ (С)

- ▶ Почистете шпиндела **(6)** и всички части, които ще се монтират.
- ▶ **(7)** ключа С притегнете затягащ фланеца **(08)** като натискате бутона за заключване на шпиндела **(2)**.
- ▶ За премахване на консумативи следвайте обратния ред

#### МОНТИРАНЕ НА ПОМОЩНАТА ДРЪЖКА (С)

Навийте спомагателната ръкохватка **(3)** в зависимост от начина на работа с машината отляво или отдясно на главата.

#### СВАЛЯНЕ/МОНТИРАНЕ/РЕГУЛИРАНЕ НА ЗАЩИТНИЯ КАПАК (В)

- ▶ Отворете защитния капак развивайки винта **(5)**.
- ▶ Поставете защитния капак **(4)** върху тази част от главата на инструмента, където се намира шпиндела и го завъртете в съответната посока (в зависимост от това, какво ще извършвате).
- ▶ Регулирайте защитния предпазител **(4)** чрез натискане на лоста **(5)**.

#### ПРЕДИ УПОТРЕБА

- ▶ Уверете се, че аксесоарите са правилно поставени и здраво затегнати.
- ▶ Проверете дали аксесоарите се въртят свободно като ги завъртите с ръка.
- ▶ Предварително тествайте инструмента, като я включете най-малко за 60 секунди на максимална скорост.
- ▶ В случай на силни вибрации или други неиз-



правности, веднага спрете инструмента за установяване на повредата.

### **ВКЛЮЧЕТЕ/ИЗКЛЮЧЕТЕ КЛЮЧА (D)**

- ▶ За включване на електроинструмента преместете пусковия прекъсвач **(1)** напред.
- ▶ За застопоряване на пусковия прекъсвач **(1)** натиснете пусковия прекъсвач **(1)** в предния му край, докато усетите прещракване.
- ▶ За изключване на електроинструмента отпуснете пусковия прекъсвач **(1)** респ. ако е застопорен, кратковременно натиснете и отпуснете пусковия прекъсвач **(1)**.

### **ПРЕДВАРИТЕЛЕН ИЗБОР НА ОБОРОТИ**

С колелцето за регулиране за предварителен избор на оборотите **(10)**, можете да измените скоростта на въртене съобразно конкретната дейност също и по време на работа. Стойностите в таблицата по-долу са препоръчителни.

### **ШЛИФОВАНЕ**

- ▶ Под наклон от 30° до 40° при шлифоване ще постигнете най-добрите резултати. Придвигвайте електроинструмента с умерен натиск напред-назад. Така обработваният детайл няма да се прегрее, повърхността му да промени цвета си и няма да се образуват дълбоки бразди.

### **РЯЗАНЕ**

- ▶ Не навеждайте инструмента при рязане.
- ▶ За да избегнете неочаквано отскачане на инструмента встрани, винаги движете инструмента в посока на стрелката, която се намира върху главата.
- ▶ Не прилагайте натиск върху инструмента; остане движението на режещия диск да извършва процеса.
- ▶ Работната скорост на режещия диск зависи от материала, който трябва да се отреже.
- ▶ Не спирайте режещия диск с външен натиск.

### **ПОДДРЪЖКА**

Редовната проверка и почистване намаляват необходимостта от операции по поддръжката и ще поддържат инструмента ви в добро работно състояние. Двигателят трябва да бъде правилно вентилиран по време на работата на инструмента. Поради тази причина избягвайте блокирането на отворите за входящ въздух.

### **ЗАЩИТА НА ОКОЛНАТА СРЕДА**

Рециклирайте суровините, вместо да ги изхвърляте като отпадъци. Машината, аксесоарите и опаковката трябва да бъдат сортирани за екологично рециклиране. Пластмасовите компоненти са етикетирани за категоризирано рециклиране.

### **ГАРАНЦИЯ**

Този продукт е гарантиран в съответствие със законовите/специфичните за страната разпоредби в сила от датата на закупуване от първия потребител. Щетите, причинени

от нормално износяване, претоварване или неправилно боравене, ще бъдат изключени от гаранцията. В случай на рекламация, моля, изпратете машината напълно сглобена на вашия дилър или сервизен център за електрически инструменти.

## MAGYAR

### ÁLTALÁNOS BIZTONSÁGI FIGYELMEZTETÉSEK AZ ELEKTROMOS KÉZISZERSZÁMOK-HOZ

**FIGYELEM! Olvasson el minden biztonsági figyelmeztetést és utasítást. A figyelmeztetések és utasítások ne um tartása áramütést, tüzet és/vagy súlyos sérülést okozhat.**

Őrizze meg az összes figyelmeztetést és utasítást későbbi hivatkozás céljából. A figyelmeztetéseken szereplő „elektromos szerszám” kifejezés az Ön hálózati (vezetékes) elektromos vagy akkumulátoros (vezetékes nélküli) elektromos kéziszerszámra vonatkozik.

#### MUNKATERÜLET

- ▶ A munkaterületet tartsa tisztán és jól megvilágítva. A zsúfolt vagy sötét területek balesetekhez vezethetnek.
- ▶ Ne működtesse az elektromos szerszámokat robbanásveszélyes környezetben, például gyúlékony folyadékok, gázok vagy por jelenlétében. Az elektromos szerszámok szikrákat hoznak létre, amelyek meggyújtják a port vagy a gőzöket.
- ▶ Az elektromos kéziszerszám használata közben tartsa távol a gyerekeket és a közelben lévőket. A zavaró tényezők elveszíthetik az irányítást.

#### ELEKTROMOS BIZTONSÁG

- ▶ Az elektromos szerszámok csatlakozóinak illeszkedniük kell a konnektorhoz. Soha semmilyen módon ne módosítsa a csatlakozót. Ne használjon adapterdugót földelt (földelt) elektromos szerszámokhoz. A nem módosított dugók és a megfelelő aljzatok csökkentik az áramütés kockázatát.
- ▶ Kerülje a test érintkezését földelt vagy földelt felületekkel, mint például csövek, radiátorok, tűzhelyek és hűtőszekrények. Fennáll az áramütés veszélye, ha teste földelve van.
- ▶ Ne tegye ki az elektromos szerszámokat esőnek vagy nedves körülményeknek. Az elektromos kéziszerszámba jutó víz növeli az áramütés kockázatát.
- ▶ Ne éljen vissza a vezetékkel. Soha ne használja a kábelt az elektromos kéziszerszám hordozására, húzására vagy kihúzására. Tartsa távol a kábelt hőtől, olajtól, éles széléktől és mozgó alkatrészekről. A sérült vagy összegabalyodott vezetékek növelik az áramütés kockázatát.
- ▶ Ha az elektromos kéziszerszámot a szabadban használja, használjon kültéri használatra alkalmas hosszabbítót. A kültéri használatra alkalmas kábel használata csökkenti az áramütés kockázatát.
- ▶ Ha az elektromos kéziszerszám nedves helyen történő használata elkerülhetetlen, használjon hibaáram-védőt (RCD) védelemmel ellátott tápegységet. Az RCD használata csökkenti az áramütés kockázatát.

#### SZEMÉLYES BIZTONSÁG

- ▶ Legyen éber, figyelje, mit csinál, és használja a józan eszét, amikor elektromos kéziszerszámot használ. Ne használjon elektromos szerszámot, ha fáradt vagy kábítószert, alkoholt vagy gyógyszer hatása alatt

áll. Egy pillanatnyi figyelmetlenség az elektromos kéziszerszámok használata közben súlyos személyi sérülést okozhat.

- ▶ Használjon személyi védőfelszerelést. Mindig viseljen szemvédőt. A megfelelő körülmények között használt védőfelszerelések, például porlárca, csúszásmentes biztonsági cipő, védősisak vagy halálvédő csökkentik a személyi sérüléseket.
- ▶ Akadályozza meg a véletlen indítást. Győződjön meg arról, hogy a kapcsoló kikapcsolott állásban van, mielőtt csatlakoztatja az áramforráshoz, felveszi vagy hordozza a szerszámot. Balesetveszélyes, ha az elektromos kéziszerszámokat úgy viszi, hogy az ujját a kapcsolón tartja, vagy ha bekapcsolja a kapcsolóval ellátott elektromos szerszámokat.
- ▶ Az elektromos kéziszerszám bekapcsolása előtt távolítsa el minden beállító kulcsot vagy csavarkulcsot. Az elektromos kéziszerszám forgó alkatrészén hagyott csavarkulcs vagy kulcs személyi sérülést okozhat.
- ▶ Ne nyúljon túl. Mindig tartsa a megfelelő lábtartást és egyensúlyt. Ez lehetővé teszi az elektromos kéziszerszám jobb irányítását váratlan helyzetekben.
- ▶ Öltözz rendesen. Ne viseljen bő ruhát vagy ékszer. Haját, ruházatát és kesztyűjét tartsa távol a mozgó alkatrészekről. A bő ruhák, ékszerek vagy hosszú haj beakadhatnak a mozgó alkatrészekbe.

#### ELEKTROMOS SZERSZÁMOK HASZNÁLATA ÉS GONDOZÁSA

- ▶ Ne erőltesse az elektromos kéziszerszámot. Használja az alkalmazásának megfelelő elektromos szerszámot. A megfelelő elektromos kéziszerszám jobban és biztonságosabban végzi el a munkát a tervezett sebesség mellett.
- ▶ Ne használja az elektromos kéziszerszámot, ha a kapcsoló nem kapcsolja be és ki. Minden olyan elektromos kéziszerszám, amely nem vezérelhető a kapcsolóval, veszélyes, ezért meg kell javítani.
- ▶ Húzza ki a csatlakozódugót az elektromos kéziszerszám áramforrásából, mielőtt bármilyen beállítást végezne, tartozékokat cserélne vagy tárolná az elektromos szerszámokat. Az ilyen megelőző biztonsági intézkedések csökkentik az elektromos kéziszerszám véletlen beindításának kockázatát.
- ▶ A használaton kívüli elektromos szerszámokat gyermekektől elzárva tárolja, és ne engedje, hogy olyan személyek kezeljék az elektromos kéziszerszámot, akik nem ismerik az elektromos kéziszerszámot vagy ezeket az utasításokat. Az elektromos szerszámok veszélyesek szakképzetlen felhasználók kezében.
- ▶ Karbantartsa az elektromos szerszámokat. Ellenőrizze, hogy a mozgó alkatrészek nem illeszkednek-e vagy beszorultak-e, nem törnek-e el az alkatrészek, és minden olyan körülmény, amely befolyásolhatja az elektromos kéziszerszám működését. Ha megsérült, használat előtt javíttassa meg az elektromos kéziszerszámot. Sok balesetet a rosszul karbantartott elektromos szerszámok okoznak.
- ▶ Tartsa a vágószerszámokat élesen és tisztán. A megfelelően karbantartott, éles vágóélekkel rendelkező vágószerszámok kisebb valószínűséggel ragadnak be, és könnyebben irányíthatók.
- ▶ Használja az elektromos kéziszerszámot, tartó-

zékokat és szerszámhegyeket stb. ezen utasításoknak megfelelően, figyelembe véve a munkakörülményeket és az elvégzendő munkát. Ha az elektromos kéziszerszámot a tervezettől eltérő műveletekre használja, veszélyes helyzet alakulhat ki.

## SZOLGÁLTATÁS

Az elektromos kéziszerszámot hivatalos szervizzel javíttassa, és csak eredeti alkatrészeket használjon. Ez biztosítja az elektromos kéziszerszám biztonságának megőrzését.

## BIZTONSÁGI FIGYELMEZTETÉSEK A SÁROKCSISZOLÓKHOZ

### ÁLTALÁNOS BIZTONSÁGI FIGYELMEZTETÉSEK A KÖSZÖRÜLÉS, CSISZOLÁS, DRÓTKEFÉS VAGY

#### CSISZOLÓ VÁGÁSI MŰVELETEKNÉL

- ▶ Ez az elektromos szerszám csiszolóként, drótkéféként vagy vágószerszámként szolgál. Olvassa el az ehhez az elektromos kéziszerszámhoz mellélt összes biztonsági figyelmeztetést, utasítást, ábrát és specifikációt. Az alábbi utasítások be nem tartása áramütést, tüzet és/vagy súlyos sérülést okozhat.
- ▶ Ezzel az elektromos szerszámmal nem javasolt olyan műveleteket végezni, mint a polírozás. Azok a műveletek, amelyekre az elektromos kéziszerszámot nem tervezték, veszélyt és személyi sérülést okozhatnak.
- ▶ Ne használjon olyan tartozékokat, amelyeket nem kifejezetten a szerszám gyártója tervezett és ajánlott. Csak azért, mert a tartozék csatlakoztatható az elektromos kéziszerszámhoz, nem biztosítja a biztonságos működést.
- ▶ A tartozék névleges fordulatszámának legalább egyenlőnek kell lennie az elektromos kéziszerszám felüntetett maximális fordulatszámával. A névleges sebességüknél gyorsabban futó tartozékok eltérhetnek és szétrepülhetnek.
- ▶ A tartozék külső átmérőjének és vastagságának az elektromos kéziszerszám névleges teljesítményén belül kell lennie. A nem megfelelő méretű tartozékokat nem lehet megfelelően védeni vagy ellenőrizni.
- ▶ tartozékok menetes rögzítésének meg kell egyeznie a csiszolóorsó menetével. Karimával szerelt tartozékok esetén a tartozék furatának illeszkednie kell a karima átmérőjéhez. Azok a tartozékok, amelyek nem egyeznek az elektromos kéziszerszám rögzítőelemeivel, kicsúsznak az egyensúlyból, erősen rezegnek, és elveszíthetik az irányítást.
- ▶ Ne használjon sérült tartozékokat. Minden használat előtt ellenőrizze a tartozékokat, például a csiszolókorongokat, hogy nincsenek-e rajta repedések és repedések, a hátlapon nincs-e repedés, szakadás vagy túlzott kopás, drótkéfe, hogy nincs-e meglazult vagy repedt vezeték. Ha az elektromos szerszám vagy tartozék leesik, ellenőrizze, hogy nem sérült-e, vagy szereljen be egy sértetlen tartozékokat. A tartozék ellenőrzése és felszerelése után helyezze el magát és a közelben tartózkodókat távol a forgó tartozék síkjától, és működtesse

az elektromos kéziszerszámot maximális terhelés nélkül egy percig. A sérült tartozékok általában szétesnek ebben a tesztidőben.

- ▶ Viseljen egyéni védőfelszerelést. Az alkalmazástól függően használjon arcvédőt, védőszemüveget vagy védőszemüveget. Adott esetben viseljen pormaszkot, hallásvédőt, kesztyűt és műhelykötenyt, amely képes megállítani a kis koptatóanyagot vagy a munkadarabdarabokat. A szemvédőnek alkalmasnak kell lennie a különféle műveletek során keletkező repülő törmelék megállítására. A porlárcra vagy a légzőkészüléknek képesnek kell lennie a művelet során keletkező részecskék kiszűrésére. A nagy intenzitású zajnak való tartós kitettség halláskárosodást okozhat.
- ▶ Tartsa a közelben tartózkodókat biztonságos távolságban a munkaterülettől. A munkaterületre belépőknek egyéni védőfelszerelést kell viselniük. A munkadarab vagy a törött tartozék töredékei elrepülhetnek és sérülést okozhatnak a közvetlen működési területen kívül.
- ▶ Az elektromos kéziszerszámot csak a szigetelt markolatfelületeknél fogja meg, ha olyan műveletet végez, ahol a vágótartozék rejtett vezetékhez vagy saját vezetékéhez érhet. Ha a vágótartozék egy "feszültség alatt álló" vezetékhez ér, az elektromos kéziszerszám szabadon lévő fém részei "feszültség alá kerülhetnek", és áramütést okozhatnak a kezelőnek.
- ▶ Helyezze távol a vezetékét a forgó tartozéktól. Ha elveszíti az irányítást, a színór elszakadhat vagy beakadhat, és a keze vagy a karja behúzódhat a forgó kerékbe.
- ▶ Soha ne tegye le az elektromos kéziszerszámot, amíg a tartozék teljesen le nem áll. A forgó kerék megragadhatja a felületet, és kivonhatja az elektromos kéziszerszámot az irányítása alól.
- ▶ Ne működtesse az elektromos kéziszerszámot, miközben az oldalán hordja. Ha véletlenül megérinti a forgó tartozékokat, a ruhája beakadhat, és a tartozék a testébe húzódnak.
- ▶ Rendszeresen tisztítsa meg az elektromos kéziszerszám szellőzőnyílásait. A motor ventilátora beszívja a port a ház belsejébe, és a fémpor túlzott felhalmozódása elektromos veszélyeket okozhat.
- ▶ Ne használja az elektromos kéziszerszámot gyúlékony anyagok közelében. A szikrák meggyújthatják ezeket az anyagokat.
- ▶ Ne használjon folyékony hűtőfolyadékot igénylő tartozékokat. Víz vagy más folyékony hűtőfolyadék használata áramütést vagy áramütést okozhat.

## VISSZARÚGÁS ÉS KAPCSOLÓDÓ FIGYELMEZTETÉSEK

viszarrúgás hirtelen reakció egy becsípődött vagy beszorult forgó kerékre, alátámasztásra, kefére vagy bármely más tartozékra. A becsípődés vagy beszorulás a forgó tartozék gyors elakadását okozza, ami viszont azt okozza, hogy az ellenőrizetlen elektromos kéziszerszám a kötés helyén a tartozék forgásával ellentétes irányba kényszeríti. Például, ha egy csiszolókorongot beszorít vagy becsíp a munkadarab, a keréknek a csípési pontba belépő éle belefűrődhet az anyag felületébe, amitől a tárcsa kimászik vagy kiugrik. A kerék a becsípődés helyén

a kerék mozgásának irányától függően a kezelő felé vagy tőle távolodhat. Ilyen körülmények között a csiszolókorongok is eltérhetnek. A visszarúgás az elektromos kéziszerszám helytelen használatának és/vagy nem megfelelő működési eljárásoknak vagy feltételeknek az eredménye, és az alábbiakban ismertetett megfelelő óvintézkedések megtételével elkerülhető.

- ▶ Tartsa szilárdan az elektromos szerszámot, és helyezze el testét és karját úgy, hogy ellenálljon a visszarúgási erőnek. Mindig használja a segédfo-gantyút, ha van, a visszarúgás vagy a nyomatékreakció maximális ellenőrzése érdekében indításkor. A kezelő szabályozhatja a nyomatékreakciókat vagy a visszarúgási erőket, ha megfelelő óvintézkedéseket tesznek.
- ▶ Soha ne tegye a kezét a forgó tartozék közelébe. A tartozék visszaütődhet a kerék felé.
- ▶ Ne helyezze testét arra a területre, ahol az elektromos kéziszerszám elmozdul, ha visszarúgás történik. A visszarúgás a kerék mozgásával ellentétes irányba hajtja a szerszámot a beakadási pontban.
- ▶ Különös óvatossággal járjon el a sarkok, éles szélek stb. megmunkálásakor. Kerülje a tartozék patogását és beakadását. A sarkok, éles szélek vagy pattanások hajlamosak beakadni a forgó tartozékon, ami az irányítás elvesztését vagy visszarúgást okozhat.
- ▶ Ne rögzítsen fűrészláncot fafaragó pengét vagy fogazott fűrészlapot. Az ilyen pengék gyakori visszarúgást és az irányítás elvesztését okozzák.

## BIZTONSÁGI FIGYELMEZTÉSEK A KÖSZÖRÜLÉSI ÉS CSISZOLÓMAGY-LEVÁGÁSI MŰVELETEKHEZ

- ▶ Csak olyan keréktípusokat használjon, amelyek az Ön elektromos szerszámaéhoz ajánlottak, és a kiválasztott kerékhez tervezett speciális védőburkolatot. Azok a kerekek, amelyekhez az elektromos kéziszerszámot nem terveztek, nem védhetők megfelelően, és nem biztonságosak.
- ▶ A közepen lenyomott kerekek csiszolófelületét a védőperem síkja alá kell szerelni. A nem megfelelően felszerelt kerék, amely átnyúlik a védőaják síkján, nem védhető megfelelően.
- ▶ A védőburkolatot biztonságosan kell rögzíteni az elektromos kéziszerszámhoz, és a maximális biztonság érdekében úgy kell elhelyezni, hogy a lehető legkevesebb kerék legyen szabadon a kezelő felé. A védőburkolat segít megvédeni a kezelőt a törött kerékdaraboktól, a kerékkel való véletlen érintkezéstől és a szikráktól, amelyek meggyújtják a ruhát.
- ▶ kerekeket csak az ajánlott alkalmazásokhoz szabad használni. Például: ne köszörüljön a vágókorong oldalával. A csiszoló vágókorongokat kerületi csiszolásra tervezték? az ezekre a kerekekre kifejlesztett oldalirányú erők összetörhetnek.
- ▶ Mindig használjon sértetlen kerékkarimákat, amelyek a kiválasztott keréknek megfelelő méretű és alakúak. A megfelelő kerékkarimák támogatják a kereket, így csökkentve a keréktörés lehetőségét. A vágókorongok karimái eltérhetnek a csiszolókorong karimáitól.
- ▶ Ne használjon nagyobb elektromos kéziszerszám

moktól elhasználódott, megerősített kerekeket. A nagyobb elektromos kéziszerszámokhoz készült kerekek nem alkalmasak egy kisebb szerszám nagyobb sebességére, és szétrepedhetnek.

## TOVÁBBI BIZTONSÁGI FIGYELMEZTETÉSEK, AMELYEK KIFEJEZTEN A KOPTATÓ-ANYAG-LEVÁGÁSI MŰVELETEKRE VONATKOZNAK

- ▶ Ne „szorítsa be” a vágókorongot, és ne gyakoroljon túlzott nyomást. Ne próbáljon túl nagy vágásmélységet készíteni. A kerék túlfeszítése növeli a terhelést és a kerék elcsavarodási vagy beszorulási hajlamát a vágás során, valamint a visszarúgás vagy keréktörés lehetőségét.
- ▶ Ne helyezze testét egy vonalba a forgó kerékkel és mögé. Amikor a kerék a működési ponton eltávolodik az Ön testétől, az esetleges visszarúgás a forgó kereket és az elektromos kéziszerszámot közvetlenül Ön felé lökheti.
- ▶ Ha a kerék beszorul, vagy ha bármilyen okból megszakítja a vágást, kapcsolja ki az elektromos kéziszerszámot, és tartsa mozdulatlanul, amíg a kerék teljesen meg nem áll. Soha ne próbálja meg eltávolítani a vágókorongot a vágásból, miközben a kerék mozgásban van, különben visszarúgás következhet be. Vizsgálja meg és tegyen korrekciós intézkedéseket a kerék beszorulásának okának megszüntetésére.
- ▶ Ne indítsa újra a vágási műveletet a munkadarabban. Hagyja, hogy a kerék elérje teljes sebességét, és óvatosan lépjen be újra a vágásba. Ha az elektromos szerszámot újraindítják a munkadarabban, a kerék beszorulhat, felléphet vagy visszaütődhet.
- ▶ Támassza alá a paneleket vagy bármilyen túlméretezett munkadarabot, hogy minimalizálja a kerék becsipődésének és visszarúgásának kockázatát. A nagy munkadarabok hajlamosak megereszkedni saját súlyuk alatt. A támasztékokat a munkadarab alá kell helyezni a vágási vonal közelében és a munkadarab széle közelében a tárcsa mindkét oldalán.
- ▶ Legyen fokozott óvatosság, amikor „zsebvágást” végez a meglévő falakon vagy más vak területeken. A kiálló kerék elvághatja a gáz- vagy vízvezetékeket, elektromos vezetékeket vagy tárgyakat, amelyek visszarúgást okozhatnak.

## KIFEJEZTEN CSISZOLÁSI MŰVELETEKRE VONATKOZÓ BIZTONSÁGI FIGYELMEZTETÉSEK

Ne használjon túl nagy méretű csiszolókorong-papírt. A csiszolópapír kiválasztásakor kövesse a gyártó ajánlásait. A nagyobb csiszolópapír, amely túlnyúlik a csiszolókorongon, sérülésveszélyt jelent, és beakadást, a tárcsa elszakadását vagy visszarúgást okozhat.

## DRÓTKEFÉS MŰVELETEKRE VONATKOZÓ BIZTONSÁGI FIGYELMEZTETÉSEK

- ▶ Ügyeljen arra, hogy a kefe még normál működés közben is kidobja a drótsörtéket. Ne feszítse túl a vezetékeket azáltal, hogy túlzottan terheli a kefét. A drótsörték könnyen áthatolhatnak a könnyű ruházaton és/vagy a bőrön.
- ▶ Ha drótkeféhez védőburkolat használata javasolt, ne engedje meg, hogy a drótkerék vagy kefe semmilyen beavatkozást végezzen a védőburkolattal.

A drótkerék vagy kefe átmérője megnőhet a munkaterhelés és a centrifugális erők hatására.

### TOVÁBBI BIZTONSÁGI FIGYELMEZTETÉSEK

- ▶ Viseljen védőszemüveget.
- ▶ Használjon megfelelő érzékelőket annak megállapítására, hogy a munkaterületen nincsenek-e elrejtve közművezetékek, vagy hívja segítségért a helyi közműszolgáltatót. Az elektromos vezetékkel való érintkezés tüzet és áramütést okozhat. A gázvezeték megrongálása robbanáshoz vezethet. A vízvezetékbe való behatolás anyagi kárt vagy áramütést okozhat.
- ▶ Ne érintse meg a csiszoló- és vágókorongokat, amíg azok le nem hűltek. A lemezek munka közben nagyon felforrósodhatnak.
- ▶ Engedje el a Be/Ki kapcsolót, és állítsa kikapcsolt helyzetbe, ha az áramellátás megszakad, pl. áramkimaradás vagy a hálózati csatlakozó kihúzása esetén. Ez megakadályozza az ellenőrizetlen újraindítást.
- ▶ Rögzítse a munkadarabot. A szorítóeszközökkel vagy satuban rögzített munkadarab biztonságosabban tartható, mint kézzel.

### CSATLAKOZÁS A TÁPEGYSÉGHEZ

Győződjön meg arról, hogy a gép adattábláján található tápellátásra vonatkozó információk kompatibilisek azzal a tápegységgel, amelyhez csatlakoztatni kívánja.

Ez a készülék II osztályú, és olyan tápegységhez való csatlakoztatásra szolgál, amely megfelel a névleges címkén feltüntetettnek, és kompatibilis a csatlakoztatott csatlakozóval. Ha hosszabbító kábelre van szükség, használjon jóváhagyott és kompatibilis, ehhez a készülékhez minősített vezetékkel. Kövesse a hosszabbító vezetékhez mellékelt összes utasítást.

### ÚTMUTATÓ A HOSSZABBÍTÓKÁBEL HASZNÁLA-

#### TÁHOZ

- ▶ Győződjön meg arról, hogy a hosszabbító kábel jó állapotban van. Hosszabbító kábel használatakor ügyeljen arra, hogy elég nehéz legyen ahhoz, hogy el tudja viselni a termék által felvett áramot. Az alulméretezett vezeték a hálózati feszültség csökkenését okozza, ami áramkimaradást és túlmelegedést eredményez.
- ▶ Használat előtt mindig cserélje ki a sérült hosszabbítókábel, vagy javíttassa meg szakképzett személyvel.
- ▶ Óvja hosszabbítókábeleit éles tárgyaktól, túlzott hőtől és nedves/nedves területektől.
- ▶ Használjon külön elektromos áramkört a szerszámokhoz. Ezt az áramkört megfelelő késleltetett biztosítékkal kell védeni. Mielőtt csatlakoztatná a motort a tápvezetékhez, győződjön meg arról, hogy a kapcsoló OFF állásban van, és az elektromos feszültség megegyezik a motor adattábláján feltüntetett feszültséggel. Alacsonyabb feszültségen járás károsítja a motort.

## TERMÉKLEÍRÁS

### RENDELTESSZERŰ HASZNÁLAT

A gép fém és kő anyagok vágására, nagyolására és kefélésére szolgál víz használata nélkül.

### MŰSZAKI ADATOK

Cikkszám	44 826	44 827
<b>Model AG 125/PRO</b>	<b>1100E</b>	<b>1200EC</b>
Névleges feszültség	V	220-240
	Hz	50/60
Névleges teljesítmény bemenet	W	1.100 1.200
Névleges sebesség	min <sup>-1</sup>	4.000-12.200 4.000-12.200
Csiszoló tárcsa átmérő, max.	mm	125
A daráló orsójának menete		M14
Súly	kg	2,0 2,1

### A hangkibocsátási értékek az EN 60745-1, EN 60745-2-3 szerint meghatározottak

termék A-súlyozott zajszintjei általában a következők:

Hangnyomás szint	dB(A)	90,2
Hangteljesítmény szint	dB(A)	101,2
Bizonytalanság K	dB	3

### A rezgés összetétele az ah (triax vektor összege) és a K bizonytalansági ennek megfelelően meghatározva

#### Maximális rezgésszint:

$a_{h,AG}$	m/s <sup>2</sup>	9,063
K	m/s <sup>2</sup>	1,5

### ZAJ/REZGÉS INFORMÁCIÓ

Az ezen az adatlapon megadott rezgésszintet az EN 60745 szabványban megadott szabványos vizsgálatnak megfelelően mérték, és felhasználható az egyik szerszám és a másik összehasonlítására. Használható az expozíció előzetes értékelésére. A bejelentett rezgés-kibocsátási szint a szerszám fő alkalmazási területeit jelenti. Ha azonban a szerszámot különböző alkalmazásokhoz használják, különböző tartozékokkal vagy betétszerszámokkal, vagy rosszul karbantartják, a rezgés-kibocsátás eltérő lehet. Ez jelentősen megnevelheti az expozíciós szintet a teljes munkaidő alatt.

vibrációnak való kitétség szintjének becsülésénél figyelembe kell venni azokat az időket is, amikor a szerszám ki van kapcsolva, vagy amikor működik, de valójában nem végzi el a munkát. Ez jelentősen csökkentheti az expozíciós szintet a teljes munkaidő alatt.

Határozzon meg további biztonsági intézkedéseket, hogy megvédje a kezelőt a vibráció hatásaitól, például: a szerszám és a tartozékok karbantartása, a kezek melegen tartása, a munkarend megszervezése.

## AZONOSÍTÁS

1. Be/Ki kapcsoló
2. Orsózár gomb
3. Segédfogantyú
4. Védő védőburkolat
5. Kioldó kar a védőburkolathoz
6. Orsó
7. Szorító karima
8. Csavarkulcs
9. Szerelő karima
10. Sebesség-előválasztó kerék

## HASZNÁLAT

### TARTOZÉKOK FELSZERELÉSE (E)

- ▶ Tisztítsa meg az orsót (6) és az összes felszerelendő alkatrészt.
- ▶ Húzza meg a szorítóperemet (7) a villáskulccsal (8), miközben megnyomja az orsózár gombot (2).
- ▶ A tartozékok eltávolításához a fogantyút fordítva.

### SEGÉDFOGANTYÚ FELSZERELÉSE (C)

Munkamódszertől függően csavarja fel a segéd-fogantyút (3) a gépfej jobb vagy bal oldalán.

### A védőburkolat eltávolítása / felszerelése / beállítása (B)

- ▶ Nyissa ki a védőburkolatot a kar (5) elengedésével
- ▶ Helyezze a védőburkolatot (4) az orsóperemre, és fordítsa el a kívánt helyzetbe (az elvégzendő munkától függően).
- ▶ Állítsa be a védőburkolatot (4) a kar (5) megnyomásával.

### A SZERSZÁM HASZNÁLATA ELŐTT

- ▶ Győződjön meg arról, hogy a tartozék megfelelően van felszerelve és szorosan meg van húzva.
- ▶ Kézzel forgatva ellenőrizze, hogy a tartozék szabadon fut-e.
- ▶ Próbáuzem a szerszámmal legalább 60 másodpercig a legnagyobb terhelés nélküli fordulatszámon, biztonságos helyzetben.
- ▶ Jelentős vibráció vagy egyéb hiba esetén azonnal álljon meg, és ellenőrizze a szerszámot az ok megállapítása érdekében.

### BE- ÉS KIKAPCSOLÁS (D)

- ▶ Az elektromos kéziszerszám elindításához nyomja előre a be-/kikapcsolót (1).
- ▶ A be-/kikapcsoló (1) rögzítéséhez nyomja előre és lefelé a be-/kikapcsolót (1), amíg a helyére nem kattan.
- ▶ Az elektromos kéziszerszám kikapcsolásához engedje el a be-/kikapcsolót (1); vagy ha a kapcsoló reteszelve van, röviden nyomja le és hátra a be-/ki kapcsolót (1), majd engedje el.

### SEBESSÉG ELŐVÁLASZTÁSA

A kívánt sebességet a fordulatszám-előválasztó tárcsa (10) segítségével előre beállíthatja, még működés közben is.

## DURVA KÖSZÖRÜLÉS

A legjobb nagyolási eredmény akkor érhető el, ha a gépet 30° és 40° közötti szögben állítja be. Mozgassa a gépet előre-hátra mérsékelt nyomással. Így módon a munkadarab nem lesz túl forró, nem színeződik el és nem képződnek hornyok.

## VÁGÁS

- ▶ Vágás közben ne döntse meg a szerszámot.
- ▶ A szerszámot mindig a szerszámfejen lévő nyíl irányába mozgassa, nehogy a szerszám ellenőrizetlenül kiszoruljon a vágásból.
- ▶ Ne gyakoroljon nyomást a szerszámmra? hagyja, hogy a vágótárcsa sebessége végezze el a munkát.
- ▶ A vágótárcsa munkasebessége a vágni kívánt anyagtól függ.
- ▶ Ne fékezze le a vágótárcsákat oldalnyomással.

## KARBANTARTÁS

A rendszeres ellenőrzés és tisztítás csökkenti a karbantartási műveletek szükségességét, és a szerszámot jó állapotban tartja. A szerszám működése közben a motort megfelelően szellőztetni kell. Emiatt ne zárja el a levegőbemeneteket.

## KÖRNYEZETVÉDELEM

Hasznosítsa újra a nyersanyagokat helyett, hogy hulladékként dobná el. A gépet, a tartozékokat és a csomagolást szét kell válogatni a környezetbarát újrahasznosítás érdekében. A műanyag alkatrészek kategorizált újrahasznosítás céljából vannak

felcímkézve.

## GARANCIA

Erre a termékre a törvényi/országspecifikus előírásoknak megfelelő garanciát vállalunk, amely az első felhasználó általi vásárlás napjától érvényes. A normál kopásból, túlterhelésből vagy szakszerűtlen kezelésből eredő károk nem tartoznak a garancia hatálya alá. Reklamáció esetén kérjük, küldje el a gépet teljesen összeszerelve a kereskedőhöz vagy az elektromos szerszámok szervizközpontjához.

## LIETUVIŲ K.

### BENDRIEJI ELEKTRINIŲ ĮRANKIŲ SAUGOS ĮSPĖJIMAI

**ĮSPĖJIMAS! Perskaitykite visus saugos įspėjimus ir instrukcijas. Perspėjimų ir instrukcijų nesilaikymas gali sukelti elektros smūgį, gaisrą ir (arba) rimtus sužalojimus.**

Įsisaugokite visus įspėjimus ir instrukcijas, kad galėtumėte pasinaudoti ateiityje. Įspėjimuose vartojamas terminas „elektrinis įrankis“ reiškia iš tinklo (laidinį) elektrinį įrankį arba akumuliatorinį (belaidį) elektrinį įrankį.

#### DARBO ZONA

- ▶ Laikykitės darbo vietą švarią ir gerai apšviestą. Netvarkingos arba tamsios vietos sukelia nelaimingus atsitikimus.
- ▶ Nenaudokite elektrinių įrankių sprogojie aplinkoje, pvz., ten, kur yra degių skysčių, dujų ar dulkių. Elektriniai įrankiai sukuria kibirkštis, kurios gali uždegti dulkes arba dūmus.
- ▶ Dirbdami su elektriniu įrankiu saugokite vaikus ir pašalinius asmenis. Dėl išsiblaškymo galite prarasti kontrolę.

#### ELEKTROS SAUGA

- ▶ Elektrinio įrankio kištukai turi atitikti lizdą. Niekada jokiu būdu nemodifikuokite kištuko. Nenaudokite adapterių kištukų su žemintais (žemintais) elektriniais įrankiais. Nepakeisti kištukai ir atitinkami lizdai sumažins elektros smūgio riziką.
- ▶ Venkite kūno kontakto su žemintais paviršiais, tokiais kaip vamzdžiai, radiatoriai, viryklės ir šaldytuvai. Jei jūsų kūnas yra žemintas arba žemintas, padidėja elektros smūgio rizika.
- ▶ Saugokite elektrinius įrankius nuo lietaus ar drėgnų sąlygų. Į elektrinį įrankį patekęs vanduo padidins elektros smūgio riziką.
- ▶ Nepiktnaudžiaukite laidu. Niekada nenaudokite laido elektrinio įrankio nešimui, traukimui ar atjungimui. Laikykite laidą toliau nuo karščio, alyvos, aštrių briaunų ir judančių dalių. Pažeisti arba įsispainioję laidai padidina elektros smūgio riziką.
- ▶ Kai naudojate elektrinį įrankį lauke, naudokite ilginamąjį laidą, tinkamą naudoti lauke. Naudojant lauke tinkamą laidą sumažėja elektros smūgio rizika.
- ▶ Jei elektrinį įrankį naudoti drėgnoje vietoje neišvengiama, naudokite nuotekio srovės įtaiso (RCD) apsaugotą maitinimą. RCD naudojimas sumažina elektros smūgio riziką.

#### ASMENINIS SAUGUMAS

- ▶ Būkite budrūs, stebėkite, ką darote, ir vadovaukitės sveiku protu, kai naudojate elektrinį įrankį. Nenaudokite elektrinio įrankio, kai esate pavargę arba apsvaigę nuo narkotikų, alkoholio ar vaistų. Akimirka neatidumas dirbant su elektriniu įrankiu gali rimtai susižaloti.
- ▶ Naudokite asmenines apsaugos priemones. Visada dėvėkite akių apsaugą. Apsauginė įranga, pvz., dulkių kaukė, neslystantys apsauginiai batai, kepuraitė arba klausos apsaugos priemonės, naudoja-

mos tinkamomis sąlygomis, sumažins sužalojimus.

- ▶ Apsaugokite nuo netyčinio paleidimo. Prieš prijungdami prie maitinimo šaltinio, paimdami ar nešdami įrankį, įsitikinkite, kad jungiklis yra išjungtoje padėtyje. Elektrinius įrankius nešiojant pirštu ant jungiklio arba įjungus elektros įrankį su įjungtu jungikliu, gali įvykti nelaimingi atsitikimai.
- ▶ Prieš įjungdami elektrinį įrankį, išimkite bet kokį reguliavimą raktą arba veržliaraktį. Veržliaraktis arba raktas, paliktas prie besisukančios elektrinio įrankio dalies, gali susižaloti.
- ▶ Neperсистенkite. Visada stovėkite tinkamai ir laikykitės pusiausvyrą. Tai leidžia geriau valdyti elektrinį įrankį netikėtose situacijose.
- ▶ Apsirenkite tinkamai. Nedėvėkite laisvų drabužių ar papuošalų. Plaukus, drabužius ir pirštines laikykite toliau nuo judančių dalių. Laisvi drabužiai, papuošalai ar ilgi plaukai gali įstrigti judančiose dalyse.

#### ELEKTRINIO ĮRANKIO NAUDOJIMAS IR PRIEŽIŪRA

- ▶ Nespauskite elektrinio įrankio jėga. Naudokite savo reikmėms tinkamą elektrinį įrankį. Tinkamas elektrinis įrankis atliks darbą geriau ir saugiau tokiu greičiu, kuriam jis buvo sukurtas.
- ▶ Nenaudokite elektrinio įrankio, jei jungiklis jo neįjungia ir neišjungia. Bet koks elektrinis įrankis, kurio negalima valdyti jungikliu, yra pavojingas ir turi būti suremontuotas.
- ▶ Prieš atlikdami bet kokius reguliavimus, keisdami priedus arba laikydami elektrinius įrankius, ištraukite kištuką iš elektros įrankio maitinimo šaltinio. Tokios prevencinės saugos priemonės sumažina elektrinio įrankio netyčinio įjungimo riziką.
- ▶ Nenaudojamas elektrinius įrankius laikykite vaikams nepasiekiamoje vietoje ir neleiskite su elektriniu įrankiu arba šiomis instrukcijomis nesusipažinusiems asmenims naudotis elektriniu įrankiu. Elektriniai įrankiai yra pavojingi neapmokytų naudotojų rankose.
- ▶ Prižiūrėkite elektrinius įrankius. Patikrinkite, ar judančios dalys nėra sulgyjuotos arba nesusirišusios, ar dalys nesulūžusios ir ar nėra kitų sąlygų, kurios gali turėti įtakos elektrinio įrankio veikimui. Jei elektrinis įrankis pažeistas, prieš naudodami jį suremontuokite. Daug nelaimingų atsitikimų įvyksta dėl prastai prižiūrimų elektrinių įrankių.
- ▶ Pjovimo įrankius laikykite aštrius ir švarius. Tinkamai prižiūrimi pjovimo įrankiai su aštriomis pjovimo briaunomis rečiau įsispainioja ir yra lengviau valdomi.
- ▶ Naudokite elektrinį įrankį, priedus ir įrankių antgalius ir kt. pagal šias instrukcijas, atsižvelgiant į darbo sąlygas ir atliekamus darbus. Naudojant elektrinį įrankį kitokiems nei numatyta darbams, gali susidaryti pavojinga situacija.

#### APTARNAVIMAS

Pasirūpinkite, kad elektrinį įrankį prižiūrėtų įgaliotasis servisas ir naudokite tik originalias atsargines dalis. Taip bus užtikrintas elektrinio įrankio saugumas.

## SAUGOS ĮSPĖJIMAI KAMPINIAMS ŠLIFUOKLIAMS

### SAUGOS ĮSPĖJIMAI, BENDRI ATLIEKANT ŠLIFAVIMO, ŠLIFAVIMO, VIELINIO ŠEPEČIO AR ABRAZVINIO PJOVIMO OPERACIJAS

- ▶ Šis elektrinis įrankis skirtas naudoti kaip šlifuoכלis, šlifuoכלis, vielinis šepetys arba pjovimo įrankis. Perskaitykite visus su šiuo elektriniu įrankiu pateiktus saugos įspėjimus, instrukcijas, iliustracijas ir specifikacijas. Jei nesilaikysite visų toliau išvardytų nurodymų, galite gauti elektros smūgį, gaisrą ir (arba) rimtus sužalojimus.
- ▶ Su šiuo elektriniu įrankiu nerekomenduojama atlikti tokių operacijų kaip poliravimas. Veiksmai, kuriems elektrinis įrankis nebuvo skirtas, gali sukelti pavojų ir susižaloti.
- ▶ Nenaudokite priedų, kurie nėra specialiai sukurti ir nerekomenduoti įrankio gamintojo. Vien todėl, kad priedą galima pritvirtinti prie elektrinio įrankio, tai neužtikrina saugaus veikimo.
- ▶ Vardinis priedo greitis turi būti bent lygus didžiausiam greičiui, nurodytam ant elektrinio įrankio. Priedai, veikiantys greičiau nei vardinis greitis, gali sulūžti ir subyrėti.
- ▶ Priedo išorinis skersmuo ir storis turi atitikti jūsų elektrinio įrankio talpą. Netinkamo dydžio priedų negalima tinkamai apsaugoti ar valdyti.
- ▶ Srieginis priedų tvirtinimas turi atitikti šlifuoכלio veleno sriegį. Priedams, montuojamiems flanšais, priedo anga turi atitikti flanšo skersmenį. Priedai, kurie neatitinka elektrinio įrankio tvirtinimo detalų, išsibalansuos, per daug vibruos ir gali prarasti kontrolę.
- ▶ Nenaudokite pažeisto priedo. Prieš kiekvieną naudojimą patikrinkite priedą, pvz., abrazyvinius ratas, ar nėra įtrūkimų ir įtrūkimų, atraminį padą, ar nėra įtrūkimų, įplyšimų ar per didelio susidėvėjimo, vielinį šepetį, ar nėra atsilaisvusių ar įtrūkusių laidų. Jei elektrinis įrankis ar priedas nukrito, patikrinkite, ar nepažeistas, arba įdėkite nepažeistą priedą. Apžiūrėję ir sumontavę priedą, atsidėkite save ir pašalinius asmenis toliau nuo besisukančio priedo plokštumos ir vieną minutę paleiskite elektrinį įrankį maksimaliu tuščiosios eigos greičiu. Per šį bandymo laiką pažeisti priedai paprastai suyra.
- ▶ Dėvėkite asmenines apsaugos priemones. Priklausomai nuo naudojimo, naudokite veido skydelį, apsauginius akinius arba apsauginius akinius. Jei reikia, dėvėkite kaukę nuo dulkių, klausos apsaugos priemones, pirštines ir dirbtuvių prijuostę, galinčią sustabdyti smulkias abrazyvines medžiagas arba ruošinio fragmentus. Akių apsauga turi sugebėti sustabdyti skraidančias šiukšles, susidarancias atliekant įvairias operacijas. Dulkių kaukė arba respiratorius turi gebėti filtruoti daleles, susidarancias jūsų operacijos metu. Ilgalaisks didelio intensyvumo triukšmo poveikis gali sukelti klausos praradimą.
- ▶ Laikykitės pašalinius asmenis saugiu atstumu nuo darbo zonos. Kiekvienas, įeinantis į darbo zoną, privalo dėvėti asmenines apsaugos priemones. Ruošinio arba sulūžusio priedo skeveldros gali nusikristi ir susižaloti už tiesioginės darbo zonos ribų.

- ▶ Elektrinį įrankį laikykite tik už izoliuotų sugriebimo paviršių, kai atliekate operaciją, kai pjovimo priedas gali liestis su paslėptais laidais arba savo laidu. Pjovimo priedas, besiliečiantis su „įtampančiu“ laidu, gali įjungti metalines elektrinio įrankio dalis, o operatorius gali patirti elektros smūgį.
- ▶ Padėkite laidą toliau nuo besisukančio priedo. Jei prarasite kontrolę, laidas gali būti perpjautas arba užsikimšęs, o jūsų ranka ar ranka gali būti įtraukta į besisukančią ratą.
- ▶ Niekada nepadėkite elektrinio įrankio, kol priedas visiškai nesustos. Besisukančias ratas gali sugriebti paviršių ir ištraukti elektrinį įrankį nuo jūsų valdymo.
- ▶ Nenaudokite elektrinio įrankio, kai nešate jį prie šono. Atsitiktinis prisilietimas prie besisukančio priedo gali užkliūti jūsų drabužiams ir įsitraukti priedą į jūsų kūną.
- ▶ Reguliariai valykite elektrinio įrankio vėdinimo angas. Variklio ventiliatorius įtrauks dulkes į korpusą, o per didelės metalo miltelių susikaupimas gali sukelti elektros pavojų.
- ▶ Nenaudokite elektrinio įrankio šalia degių medžiagų. Kibirkštys gali uždegti šias medžiagas.
- ▶ Nenaudokite priedų, kuriems reikalingi skysti aušinimo skysčiai. Vandens ar kitų skystų aušinimo skystųjų naudojimas gali sukelti elektros smūgį arba šoką.

### ATATRANKA IR SUSIJĘ ĮSPĖJIMAI

- Atatranka – tai staigi reakcija į suspaustą ar užstrigusį besisukančią ratą, atramą, šepetį ar bet kurį kitą priedą. Suspaudus arba užsikimšus besisukančias priedas greitai užstringa, o tai savo ruožtu priverčia nekontroliuojamą elektrinį įrankį priveržti priešingą priedo sukimosi kryptimi surišimo taške. Pavyzdžiui, jei abrazyvinis ratas užsikimšęs arba prispaustas prie ruošinio, rato kraštas, patenkantis į suspaudimo tašką, gali įsiskverbti į medžiagos paviršių, dėl ko ratas gali išlipti arba iššokti. Ratas gali šokinėti link operatoriaus arba nuo jo, priklausomai nuo rato judėjimo krypties suspaudimo vietoje. Esant tokioms sąlygoms, abrazyviniai ratai taip pat gali sulūžti. Atatranka atsiranda dėl netinkamo elektrinio įrankio naudojimo ir (arba) netinkamų darbo procedūrų ir sąlygų, todėl jos galima išvengti imantis atitinkamų atsargumo priemonių, kaip nurodyta toliau.
- ▶ Tvirtai suimkite elektrinį įrankį ir pastatykite kūną bei ranką taip, kad galėtumėte atsispirti atatranks jėgoms. Visada naudokite pagalbinę rankeną, jei yra, kad maksimaliai kontroliuotumėte atatranką arba sukimo momento reakciją paleidimo metu. Jei imamasi tinkamų atsargumo priemonių, operatorius gali valdyti sukimo momento reakcijas arba atatranks jėgas.
  - ▶ Niekada nedėkite rankos šalia besisukančio priedo. Priedas gali atmušti ranką.
  - ▶ Nestatykite kūno toje vietoje, kur elektrinis įrankis judės, jei įvyktų atatranka. Atatranka pastūmės įrankį priešinga rato judėjimui kryptimi užstrigimo vietoje.
  - ▶ Būkite ypač atsargūs apdirbdami kampus, aštrius kraštus ir pan. Stenkitės, kad priedas neatšoktų ir neužkliūtų. Kampai, aštrūs kraštai ar atšokimai gali užstrigti besisukančią priedą ir sukelti kontrolės praradimą.



aradimą arba atatrąką.

- ▶ Netvirtinkite pjūklo grandinės medžio drožybės disko arba dantyto pjūklo disko. Tokie peiliai dažnai sukelia atatrąką ir prarandą kontrole.

### **SAUGOS ĮSPĖJIMAI, SKIRTI ŠLIFAVIMO IR ABRAZYVINIO PJOVIMO OPERACIJOMS**

- ▶ Naudokite tik jūsų elektriniam įrankiui rekomenduojamus ratų tipus ir specialią gaubtą, skirtą pasirinktam ratui. Ratai, kuriems elektrinis įrankis nebuvo skirtas, negali būti tinkamai apsaugoti ir yra nesaugūs.
- ▶ Centrinųjų nuspaustų ratų šlifavimo paviršius turi būti sumontuotas žemiau apsauginio krašto plokštumos. Netinkamai sumontuotas ratas, kuris išsikiša per apsauginės lūpos plokštumą, negali būti tinkamai apsaugotas.
- ▶ Apsauga turi būti tvirtai pritvirtinta prie elektrinio įrankio ir išdėstyta taip, kad būtų maksimaliai saugu, kad kuo mažiau rato būtų atvira operatoriui. Apsauga padeda apsaugoti operatorių nuo sulūžusių rato skeveldrų, atsitiktinio prisilietimo prie rato ir kibirkščių, kurios gali uždegti drabužius.
- ▶ Ratai turi būti naudojami tik rekomenduojamoms reikmėms. Pavyzdžiui: nešlifukite pjovimo disko šonu. Abrazyviniai pjovimo diskai skirti periferiniam šlifavimui? dėl šoninių jėgų, veikiančių šiuos ratas, jie gali suskilti.
- ▶ Visada naudokite nepažeistus rato flanšus, kurie yra tinkamo dydžio ir formos jūsų pasirinktam ratui. Tinkami rato flanšai palaiko ratą ir sumažina rato lūžimo galimybę. Pjovimo diskų jungės gali skirtis nuo šlifavimo diskų flanšų.
- ▶ Nenaudokite susidėvėjusių sustiprintų ratų nuo didesniųjų elektrinių įrankių. Didesniems elektriniams įrankiams skirti ratai netinka didesniams mažesnio įrankio greičiui ir gali sprogti.

### **PAPILDOMI SAUGOS ĮSPĖJIMAI, SKIRTI ABRAZYVINIAM PJOVIMUI**

- ▶ „Neužstrigkite“ pjovimo disko ir nespauskite per daug. Nebandykite atlikti per didelio pjovimo gylio. Per didelis rato įtempimas padidina apkrovą ir padidina jautrumą rato pasisukimui ar susirišimui pjūvyje ir atatrąkos ar rato lūžimo galimybę.
- ▶ Nestatykite kūno vienoje linijoje su besisukančio rato ir už jo. Kai ratas veikimo taške tolsta nuo jūsų kūno, galimas atatrąka gali nukreipti besisukančią ratą ir elektrinį įrankį tiesiai į jus.
- ▶ Kai ratas suslegia arba dėl kokių nors priežasčių pertraukiamas pjovimas, išjunkite elektrinį įrankį ir laikykite jį nejudantį, kol ratas visiškai sustos. Niekada nemėginkite nupjauti pjovimo disko iš pjūvio, kai ratas juda, kitaip gali įvykti atatrąka. Ištrinkite ir imkitės taisomųjų veiksmų, kad pašalintumėte rato surišimo priežastį.
- ▶ Nepradėkite pjovimo ruošinyje iš naujo. Leiskite ratui pasiekti visą greitį ir atsargiai vėl įjunkite pjūvį. Jei elektrinis įrankis vėl paleidžiamas ruošinyje, ratas gali susirišti, pakilti aukštyn arba atšokti.
- ▶ Atremkite plokštes arba bet kokį per didelį ruošinį, kad sumažintumėte rato suspaudimo ir atatrąkos riziką. Dideli ruošiniai linkę smukti nuo savo svorio. Atramos turi būti dedamos po ruošiniu netoli pjovimo linijos ir šalia ruošinio krašto abiejose rato pusėse.

- ▶ Būkite ypač atsargūs darydami „kišeninį pjūvį“ esant senose ar kitose aklinose vietose. Išsikišęs ratas gali perpjauti dujų ar vandens vamzdžius, elektros laidus arba daiktus, kurie gali sukelti atatrąką.
- ### **SAUGOS ĮSPĖJIMAI, SKIRTI ŠLIFAVIMO DARBAMS**

Nenaudokite per didelio šlifavimo disko popieriaus. Rinkdamiesi šlifavimo popierių vadovaukitės gamintojų rekomendacijomis. Didesnis šlifavimo popieriaus, išsikišęs už šlifavimo padėklą, gali būti įplyšęs ir gali užstrigti, plyšti diskas arba atatrąka.

### **SAUGOS ĮSPĖJIMAI, SKIRTI VALYTI VIELINIU ŠEPEČIU**

- ▶ Atkreipkite dėmesį, kad net ir įprasto naudojimo metu šepetys išmeta vielos šerius. Nepertempkite laidų per daug apkraudami šepetį. Vieliniai šereliai gali lengvai prasiskverbti pro lengvus drabužius ir (arba) odą.
- ▶ Jei vieliniam šepėčiui rekomenduojama naudoti apsaugą, neleiskite vieliniam ratui ar šepėčiui trukdyti apsaugai. Vielinio rato arba šepėčio skersmuo gali išsiplėsti dėl darbo krūvio ir išcentrinųjų jėgų.

### **PAPILDOMI SAUGOS ĮSPĖJIMAI**

- ▶ Dėvėkite apsauginius akinius.
- ▶ Naudokite tinkamus detektorius, kad nustatytumėte, ar darbo zonoje nėra paslėptų elektros tinklų, arba kreipkitės pagalbos į vietinę komunalinių paslaugų įmonę. Kontaktas su elektros laidais gali sukelti gaisrą ir elektros smūgį. Dujotiekio pažeidimas gali sukelti sprogimą. Prasiskverbimas į vandens liniją gali sugadinti turtą arba sukelti elektros smūgį.
- ▶ Nelieskite šlifavimo ir pjovimo diskų, kol jie neatvės. Dirbant diskai gali labai įkaisti.
- ▶ Atleiskite įjungimo/išjungimo jungiklį ir nustatykite jį į išjungimo padėtį, kai nutrūksta maitinimas, pvz., nutrūkus maitinimui arba ištraukus maitinimo kištuką. Tai apsaugo nuo nekontroliuojamo paleidimo iš naujo.
- ▶ Pritvirtinkite ruošinį. Suspaudimo įtaisais arba veržlėje suspaustas ruošinys laikomas saugiau nei ranka.

### **PRIJUNGIMAS PRIE MAITINIMO ŠALTINIO**

Įsitikinkite, kad įrenginio duomenų lentelėje nurodyta maitinimo šaltinio informacija yra suderinama su maitinimo šaltiniu, prie kurio ketinate jį prijungti.

Šis prietaisas yra II klasės ir skirtas prijungti prie maitinimo šaltinio, atitinkančio etiketėje nurodytą specifikaciją ir suderinamą su įmontuotu kištuku. Jei reikalingas ilginamasis laidas, naudokite patvirtintą ir suderinamą laidą, skirtą šiam prietaisui. Vykdykite visas instrukcijas, pateiktas su ilginamuoju laidu.

### **ILGTINIMO LAIDŲ NAUDOJIMO GAIRĖS**

- ▶ Įsitikinkite, kad ilginamasis laidas yra geros būklės. Kai naudojate ilginamąjį laidą, naudokite pakankamai sunkų, kad išlaikytų srovę, kurią gamins ims. Dėl per mažo laido sumažės tinklo įtampa, dėl to dings maitinimas ir perkais.

- ▶ Prieš naudodami pažeistą ilginamąjį laidą, visada pakeiskite arba leiskite jį suremontuoti kvalifikuotam asmeniui.
- ▶ Saugokite ilginamuosius laidus nuo aštrių daiktų, per didelio karščio ir drėgnų/šlapių vietų.
- ▶ Įrankiams naudokite atskirą elektros grandinę. Ši grandinė turi būti apsaugota atitinkamu uždelsto saugikliu. Prieš prijungdami variklį prie maitinimo linijos, įsitikinkite, kad jungiklis yra OFF padėtyje, o elektros įtampa yra tokia pati kaip įtampa, nurodyta variklio vardinėje plokštelėje. Veikiant žemesne įtampa sugadinsite variklį.

## PRODUKTO SPECIFIKACIJOS

### PASKIRTIS

Mašina skirta metalo ir akmens medžiagoms pjauti, grubiai apdirbti ir valyti šepetčiu nenaudojant vandens.

TECHNINIAI DUOMENYS			
Straipsnio numeris		44 826	44 827
Modelis AG 125/PRO		1100E	1200EC
Nominali įtampa	V	220-240	
	Hz	50/60	
Nominali įvesties galia	W	1.100	1.200
Įvertintas greitis	min <sup>-1</sup>	4.000-12.200	4.000-12.200
Šlifavimo disko skersmuo, maks.	mm	125	
Šlifuko veleno sriegis		M14	
Svoris	kg	2,0	2,1
<b>Garso emisijos vertės nustatytos pagal EN 60745-1, EN 60745-2-3</b>			
Paprastai gaminio A svertinis triukšmo lygis yra:			
Garso slėgio lygis	dB(A)	90,2	
Garso galios lygis	dB(A)	101,2	
Neaiškumas K	dB	3	
<b>Atitinkamai nustatytos bendrosios vibracijos vertės ah (triaisų vektorių suma) ir neapibrėžtis K EN 60745-1, EN 60745-2-3</b>			
<b>Maksimalus vibracijos lygis:</b>			
a <sub>h,AG</sub>	m/s <sup>2</sup>	9,063	
K	m/s <sup>2</sup>	1,5	

### INFORMACIJA APIE TRIUKŠMĄ / VIBRACIJĄ

Šiame informaciniame lape nurodytas vibracijos lygis buvo išmatuotas pagal EN 60745 standartinį bandymą ir gali būti naudojamas lyginant vieną įrankį su kitu. Jis gali būti naudojamas išankstiniame poveikio įvertinimui. Deklaruojamas vibracijos lygis atspindi pagrindines įrankio naudojimo sritis. Tačiau jei įrankis naudojamas įvairiems tikslams, su

skirtingais priedais ar įdėjimo įrankiais arba yra prastai prižiūrimas, vibracijos emisija gali skirtis. Tai gali žymiai padidinti poveikio lygį per visą darbo laikotarpį.

Apskaičiuojant vibracijos poveikio lygį taip pat reikėtų atsižvelgti į laiką, kai įrankis yra išjungtas arba kai jis veikia, bet iš tikrųjų neatlieka darbo. Tai gali žymiai sumažinti poveikio lygį per visą darbo laikotarpį.

Nustatykite papildomas saugos priemones, kad apsaugotumėte operatorių nuo vibracijos poveikio, pavyzdžiui: įrankio ir priedų priežiūra, rankų šiltinimas, darbo modelių organizavimas.

## IDENTIFIKAVIMAS

1. Įjungimo/išjungimo jungiklis
2. Veleno fiksavimo mygtukas
3. Pagalbinė rankena
4. Apsauginė apsauga
5. Apsaugos atleidimo svirtis
6. Suklys
7. Tvirtinimo flanšas
8. Veržliaraktis
9. Montavimo flanšas
10. Išankstinio greičio pasirinkimo ratas

## NAUDOTI

### PRIEDŲ MONTAVIMAS (E)

- ▶ Nuvalykite veleną (6) ir visas montuojamas dalis.
- ▶ Spausdami suklio fiksavimo mygtuką (2), priveržkite veržliaraktį (7) veržliaraktiui (8).
- ▶ Priedams nuimti rankena atvirkščiai.

### PAGALBINĖS RANKENOS (C) MONTAVIMAS

PRIKLAUSOMAI NUO DARBO BŪDO, PRISUKITE PAPILDOMĄ RANKENĄ (3) MAŠINOS GALVUTĖS DEŠINĖJE ARBA KAIRĖJE.

### Apsauginės gaubto (B) nuėmimas / montavimas / reguliavimas

#### ▶ Atidarykite gaubtą atleisdami svirtį (5)

- ▶ Uždėkite apsauginę gaubtą (4) ant veleno apykaklės ir pasukite į reikiamą padėtį (priklausomai nuo atliekamo darbo).
- ▶ Sureguliuokite apsauginę gaubtą (4) spausdami svirtį (5).

### PRIEŠ NAUDODAMI ĮRANKĮ

- ▶ Įsitikinkite, kad priedas yra tinkamai sumontuotas ir tvirtai priveržtas.
- ▶ Pasukdami ranka patikrinkite, ar priedas veikia laisvai.
- ▶ Bandykite įrankį mažiausiai 60 sekundžių didžiausiu greičiu be apkrovos saugioje padėtyje.
- ▶ Esant stipriai vibracijai ar kitiems defektams, nedelsdami sustokite ir patikrinkite įrankį, kad nustatytumėte priežastį.

### ĮJUNGIMAS IR IŠJUNGIMAS (D)

- ▶ Norėdami įjungti elektrinį įrankį, pastumkite įjungimo/išjungimo jungiklį (1) į priekį.
- ▶ Norėdami užfiksuoti įjungimo/išjungimo jungiklį (1), stumkite įjungimo/išjungimo jungiklį (1) pirmyn ir žemyn, kol užsifikuos.

- ▶ Norėdami išjungti elektrinį įrankį, atleiskite įjungimo/išjungimo jungiklį (1); arba, jei jungiklis užrakintas, trumpai paspauskite įjungimo/išjungimo jungiklį (1) atgal ir žemyn, tada atleiskite.

### **GREIČIO IŠANKSTINĖ PASIRINKIMAS**

Net ir eksploatacijos metu galite iš anksto pasirinkti reikiamą greitį naudodami išankstinio greičio reguliavimo ratuką (10).

### **GRUBUS ŠLIFAVIMAS**

Geriausi grubaus apdorojimo rezultatai pasiekiami, kai mašina nustatoma 30°–40° kampų. Vidutiniu spaudimu judinkite mašiną pirmyn ir atgal. Tokiu būdu ruošinys per daug neįkais, nepakeis spalvos ir nesusidarys grioveliai.

### **PJAUSTYMAS**

- ▶ Pjudami nepakreipkite įrankio.
- ▶ Visada judinkite įrankį ta pačia kryptimi, kaip ir rodyklė ant įrankio galvutės, kad įrankis nebūtų nekontroliuojamai išstumtas iš pjūvio.
- ▶ Nespausti įrankio? leiskite pjovimo disko greičiui atlikti darbą.
- ▶ Pjovimo disko greitis priklauso nuo pjaunamos medžiagos.
- ▶ Nestabdykite pjovimo diskų esant šoniniam slėgiui.

### **PRIEŽIŪRA**



Reguliarus patikrinimas ir valymas sumažina priežiūros operacijų poreikį, o jūsų įrankis bus geros būklės. Įrankio veikimo metu variklis turi būti tinkamai vėdinamas. Dėl šios priežasties neužkimškite oro įleidimo angų.

### **APLINKOS APSAUGA**

Perdirbkite žaliavas, o ne išmeskite kaip atliekas. Mašina, priedai ir pakuotės turi būti rūšiuojamos taip, kad būtų galima perdirbti aplinkai nekenksmingą. Plastikiniai komponentai yra paženklinėti, kad juos būtų galima perdirbti.

### **GARANTIJA**

Šiam gaminiui suteikiama garantija pagal teisinius / konkrečios šalies reglamentus, kurie galioja nuo pirmojo naudotojo įsigijimo datos. Garantija netaikoma žalai, atsiradusioms dėl normalaus nusidėvėjimo, perkrovos ar netinkamo naudojimo. Jei turite pretenzijų, visiškai surinktą mašiną nusiųskite pardavėjui arba elektrinių įrankių aptarnavimo centrui.

EN	EU DECLARATION OF CONFORMITY		We declare under our sole responsibility that the listed products comply with all applicable provisions of the below directives and are also in conformity with the following standards. Production year and serial number are on the product. The relative technical file is at the below address.	
	ANGLE GRINDER			
	MODEL	Article number		
FR	DÉCLARATION CE DE CONFORMITÉ		Nous déclarons sous notre propre responsabilité que les produits décrits sont conformes à toutes les dispositions applicables des directives ci-dessous et sont également conformes aux normes suivantes. L'année de production et le numéro de série figurent sur le produit. Le dossier technique correspondant est à l'adresse ci-dessous.	
	MEULEUSE ANGULAIRE			
	MODÈLE	Numéro de l'article		
IT	DICHIARAZIONE CE DI CONFORMITÀ		Dichiariamo sotto la nostra piena responsabilità che i prodotti indicati sono conformi a tutte le disposizioni applicabili delle seguenti direttive e sono inoltre conformi alle seguenti norme. Anno di produzione e numero di serie sono sul prodotto. La relativa scheda tecnica è al seguente indirizzo.	
	LEVIGATRICE ANGOLARE			
	MODELLO	Codice prodotto		
EL	ΔΗΛΩΣΗ ΣΥΜΜΟΡΦΩΣΗΣ ΕΚ		Δηλώνουμε με αποκλειστική μας ευθύνη, ότι τα αναφερόμενα προϊόντα συμμορφώνονται με όλες τις σχετικές διατάξεις των κάτωθι οδηγιών και είναι επίσης σύμφωνα με τα ακόλουθα πρότυπα. Το έτος παραγωγής και ο σειριακός αριθμός αναγράφονται στο προϊόν. Ο τεχνικός φάκελος είναι στην παρακάτω διεύθυνση.	
	ΓΩΝΙΑΚΟΣ ΤΡΟΧΟΣ			
	ΜΟΝΤΕΛΟ	Κωδικός προϊόντος		
SR	CE IZJAVA O USAGLAŠENOSTI		Na sopstvenu odgovornost izjavljujemo, da navedeni proizvodi poštuju sve važeće odredbe dole navedenih direktiva i da su takođe u skladu sa sledećim standardima. Proizvodna godina i serijski broj su na proizvodu. Relativna tehnološka datoteka je na donjoj adresi.	
	UGAONA BRUSILICA			
	MODEL	Broj predmeta		
HR	EU IZJAVA O SUKLADNOSTI		Pod punom odgovornošću izjavljujemo da navedeni proizvodi u skladu sa svim primjenjivim odredbama dolje navedenih direktiva, a također su u skladu sa sledećim standardima. Godina proizvodnje i serijski broj su na proizvodu. Relativna tehnička datoteka nalazi se na donjoj adresi.	
	KUTNA BRUSILICA			
	MODEL	Broj artikla		
RO	DECLARAȚIE DE CONFORMITATE UE		Declarăm pe proprie răspundere că produsele menționate respectă toate prevederile aplicabile din directivele de mai jos și sunt, de asemenea, conforme cu următoarele standarde. Anul de producție și numărul de serie sunt pe produs. Fișierul tehnic relativ se află la adresa de mai jos.	
	POLIZOR UNGHIULAR			
	MODEL	Număr articol		
BG	ЕС ДЕКЛАРАЦИЯ ЗА СЪОТВЕТСТВИЕ		С пълна отговорност ние декларираме, че посочените продукти отговарят на всички валидни изисквания на директивите и разпоредбите по-долу и съответства на следните стандарти.	
	ЪГЛОШЛАЙФ			
	МОДЕЛ	Каталожен номер		
HU	EU MEGFELELŐSÉGI NYILATKOZAT		Kijelentjük kizárólagos felelősségünkre, hogy a felsorolt termékek megfelelnek az alábbi irányelvek összes vonatkozó rendelkezésének, és megfelelnek a következő szabványoknak is. A gyártási év és a sorozatszám a terméken található. A relatív műszaki fájl az alábbi címen található.	
	SAROKCSISZOLÓ			
	MODELL	Cikk szám		
LT	ES ATITIKTIES DEKLARACIJA		Mes, prisimdami visą atsakomybę, pareiškiame, kad išvardyti produktai atitinka visas taikomas toliau nurodytų direktyvų nuostatas ir taip pat atitinka šiuos standartus. Gamybės metai ir serijos numeris yra ant gaminio. Santykinis technologinis failas yra žemiau nurodytu adresu.	
	KAMPINIO ŠLIFAVIMO MAŠINA			
	MODELIS	Straipsnis Numeris		
	AG 125/1100E PRO	44 826	2006/42/EC	EN 60745-1:2009+A11:2010 EN 60745-2-3:2011+A2:2013+A11:2014+A12:2014+A13:2015
	AG 125/1200EC PRO	44 827	2014/30/EU	EN 55014-1:2017 EN 55014-2:2015 EN 61000-3-2:2014 EN 61000-3-3:2013
Amilios G. Theodorou Electrical Engineer, Safety Officer  23/9/2022 FF GROUP TOOL INDUSTRIES, 19300 Aspropyrgos-Greece.			<b>FF GROUP TOOL INDUSTRIES</b> 9,5km Attiki Odos, Aspropyrgos 19300, Athens, Greece Tel. +30 210 55 98 400	









**FF GROUP TOOL INDUSTRIES**



**9,5 Km Attiki Odos, Aspropyrgos**

**19300, Athens, Greece**



**+30 210 55 98 400**



**info@ffgroup-toolindustries.com**



**www.ffgroup-tools.com**