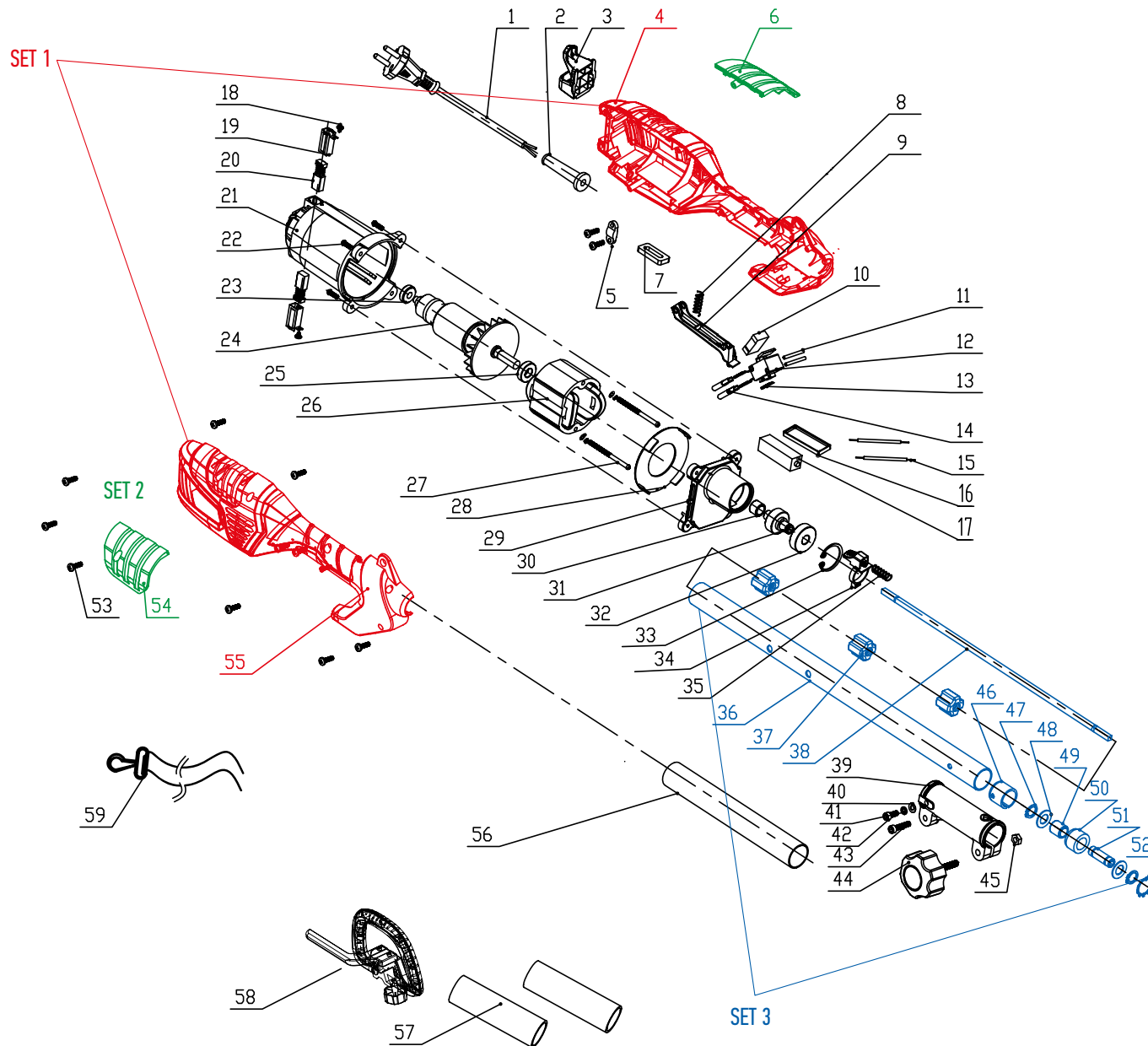


DRAWING 1

MULTI



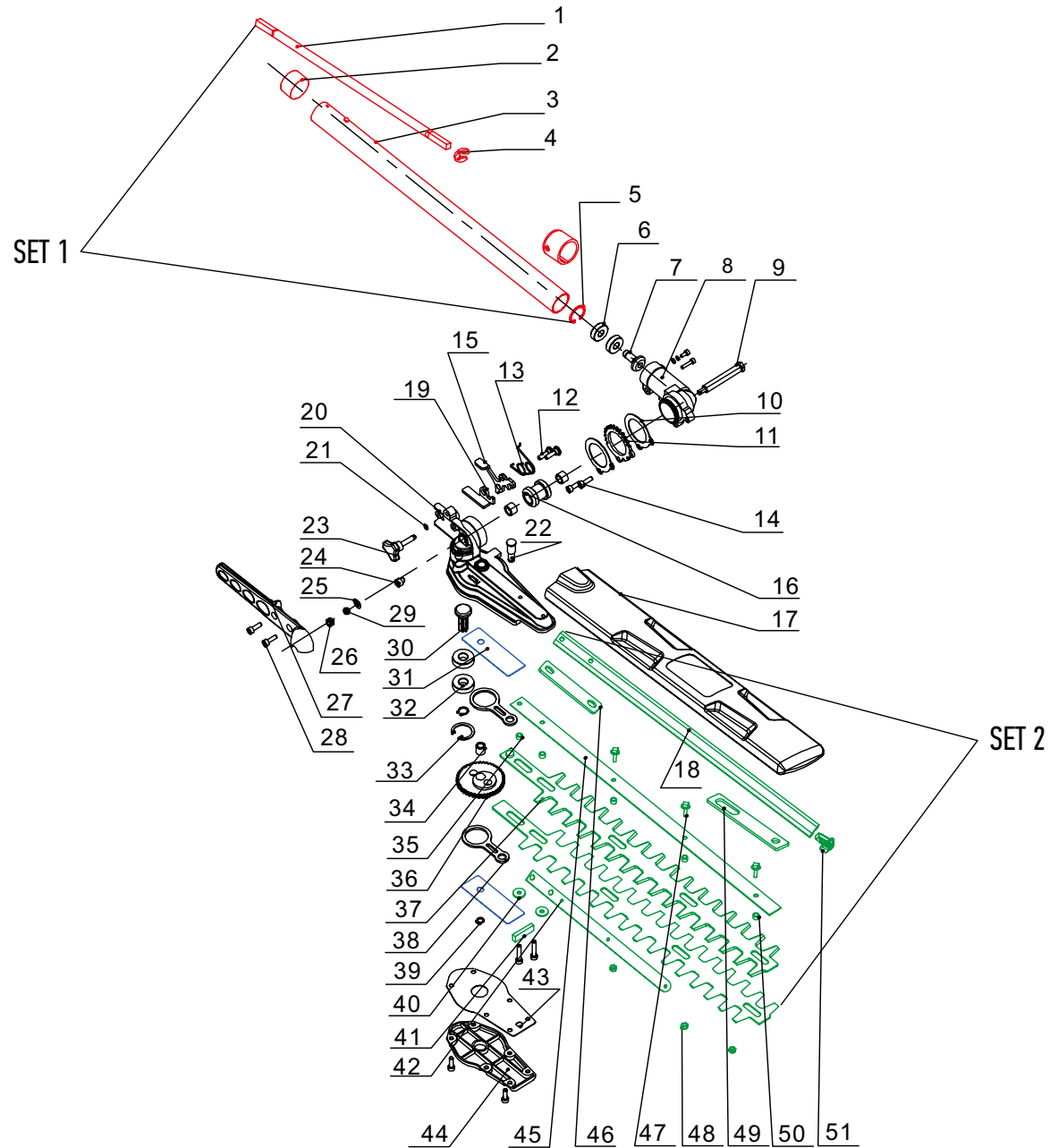
DRAWING 1

POS.	CODE	DESCRIPTION	QTY
1	A01075	CABLE	1
2	A01076	CABLE SHEATH	1
3	A01077	HOOK DRIVE	1
SET 1 (4+55)	A01078	LEFT +RIGHT HOUSE	1
5	A01079	PRESS BOARD	1
SET 2 (6+54)	A01080	LEFT +RIGHT VEST	1
7	A01081	COMMON MODE INDUCTANCE	1
8	A01082	SPRING FOR BRAKE LEVER	1
9	A01083	TRIGGER	1
10	A01084	CAPACITOR	1
11	A01085	SWITCH POSITIONING PIN	2
12	A01086	DOUBLE MICRO SWITCH	1
13	A01087	WITH LOCK PLUG INSERT SPRING	4
14	A01088	HEAT SHRINK TUBING	2
15	A01089	INTERNAL WIRES	2
16	A01090	INSULATION HEAT BOX	1
17	A01091	THERMAL RESISTANCE	1
18	A01092	SCREW	2
19	A01093	BRUSH HOLDER	2
20	A01094	CARBON BRUSH	2
21	A01095	MOTOR COVER	1
22	A01096	SCREW	4
23	A01097	BALL BEARINGS	1
24	A01098	ROTOR	1
25	A01099	BALL BEARINGS	1

POS.	CODE	DESCRIPTION	QTY
26	A01100	STATOR	1
27	A01101	SCREW	2
28	A01102	WIND RING	1
29	A01103	CENTER SUPPORT	1
30	A01104	NEEDLE BEARING	1
31	A01105	GEAR SHAFT	1
32	A01106	BALL BEARINGS	1
33	A01107	HOLE SPRING COLLAR	1
34	A01108	TRIGGER LOCK	1
35	A01109	TRIGGER SPRING	1
SET 3 (36-38, 46-52)	A01110	REAR ALUMINIUM TUBE	1
39	A01111	PIPE JOINT	1
40	A01112	FLAT PAD	1
41	A01113	SHELLS PAD	1
42	A01114	SCREW	1
43	A01115	SCREW	1
44	A01116	PIPE JOINT LOCK KNOB	1
45	A01117	SCREW M6	1
53	A01118	SCREW	13
56	A01119	INSULATION PIPE SLEEVE	1
57	A01120	FOAM TUBE	2
58	A01121	HANDLE ASSEMBLY	1
59	A01122	BELT	1

DRAWING 2

CUTTER



DRAWING 2

POS.	CODE	DESCRIPTION	QTY
SET 1 (1-5)	A01240	FRONT ALU. TUBE ASSEMBLY	1
6	A01042	BALL BEARING 609	2
7	A01043	INNER SQUARE KEY BEVEL GEAR	1
8	A01044	GEAR BOX ROTARY HEAD	1
9	A01045	TWIN BEVEL GEAR SHAFT	1
10	A01046	LOCK TOOTH SPLINT	2
11	A01047	LOCK TOOTH	1
12	A01048	SCREW	2
13	A01049	TORSION SPRING	1
14	A01050	SCREW M5 X 14	2
15	A01051	LOCK TOOTH HOOK	1
16	A01052	TWIN BEVEL GEAR	1
17	A01053	BLADE SAFETY GUARD	1
SET 2 (18,35,37, 40-42,45-51)	A01054	ALU STRIP	1
19	A01055	LOCK TOOTH DOGGING	1
20	A01056	GEAR BOX	1
21	A01057	OPEN RING	1
22	A01058	BIG GEAR SHAFT	1
23	A01059	ROTORY HANDLE INSERT PIN	1
24	A01060	SCREW M5X6	1
25	A01061	PLANE WASHER	1
26	A01062	THINNER NUT M6	1
27	A01063	HANDLE FOR BLADE	1
28	A01064	SCREW M5X12	1

POS.	CODE	DESCRIPTION	QTY
29	A01065	NUT M6	1
30	A01066	BEVEL STRAIGHT TWIN GEAR	1
31	A01067	ECCENTRIC COVER	2
32	A01068	DEEP GROOVE BALL BEARING 6001Z	2
34	A01069	NEEDLE ROLLER BEARING HK0812	1
36	A01070	BIGGER GEAR	1
38	A01071	CONNECTING ROD	2
39	A01072	SHAFT SPRING RING	1
43	A01073	BOARD	1
44	A01074	GEAR BOX BOTTOM COVER	1