

FFGROUP®



CS 65/1500 PLUS CS 85/2000 PLUS

EN

ORIGINAL INSTRUCTIONS

FR

NOTICE ORIGINALE

IT

ISTRUZIONI ORIGINALI

EL

ΠΡΩΤΟΤΥΠΟ ΟΔΗΓΙΩΝ ΧΡΗΣΗΣ

SR

ORIGINALNO UPUTSTVO ZA RAD

HR

ORIGINALNE UPUTE ZA RAD

RO

INSTRUCȚIUNI DE FOLOSIRE ORIGINALE

HU

EREDETI UTASÍTÁSOK

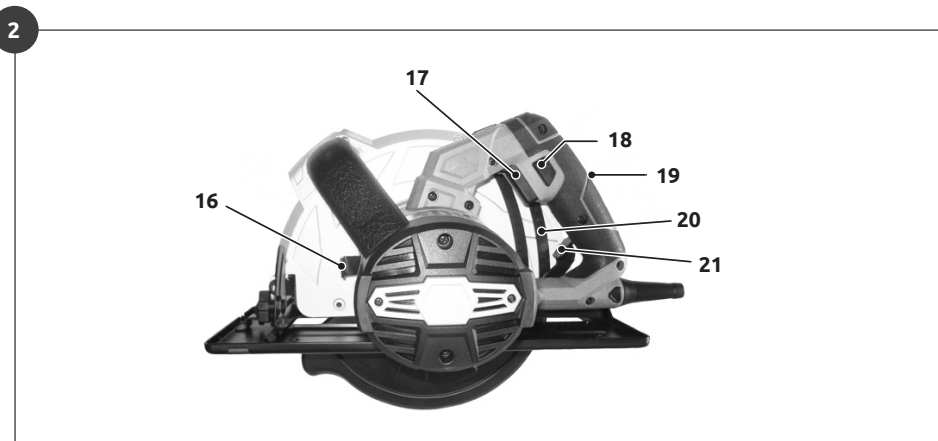
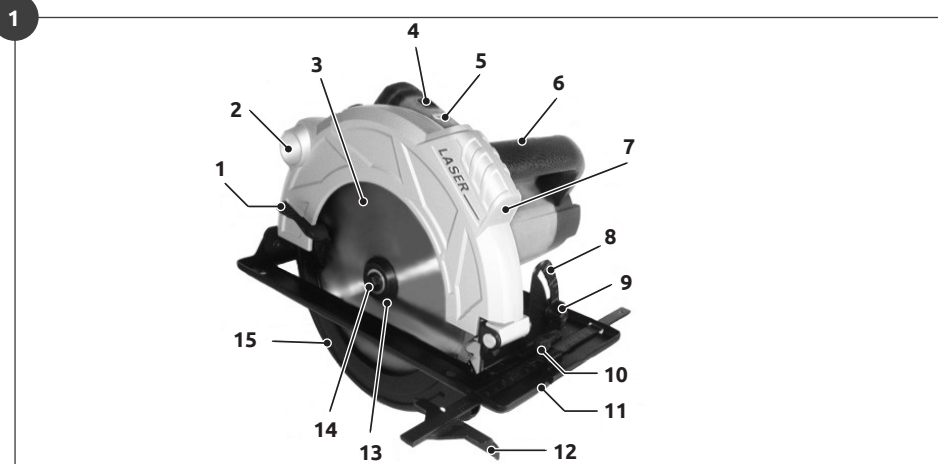
BG

ОРИГИНАЛНИ ИНСТРУКЦИИ

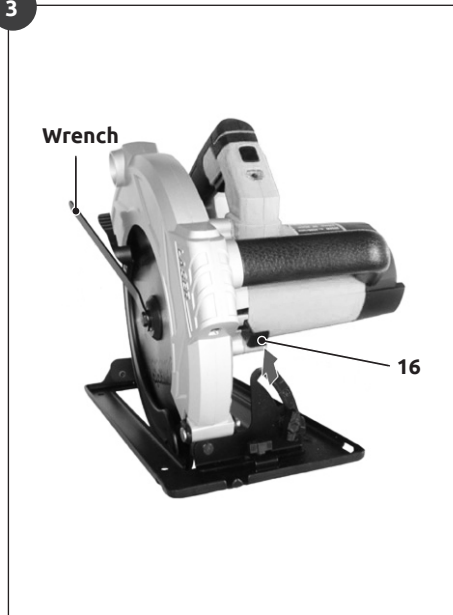
LT

ORIGINALIOS INSTRUKCIJOS

EXPLANATION OF SYMBOLS / EXPLICACION DES SYMBOLES / SPIEGAZIONE DEI SIMBOLI / ΕΠΕΞΗΓΗΣΗ ΣΥΜΒΟΛΩΝ / OBJAŠNENJE SIMBOLA / OBJAŠNENJE SIMBOLA / EXPLICAȚIA SIMBOLURILOR / SZIMBÓLUMOK JELENTÉSE / ОБЪЯСНЕНИЕ НА СИМВОЛИТЕ / SIMBOLIŲ PAAIŠKINIMAS		04
EN	CIRCULAR SAW	08
FR	SCIE CIRCULAIRE	12
IT	SEGA CIRCOLARE	17
EL	ΔΙΣΚΟΠΡΙΟΝΟ	22
SR	KRUŽNA TESTERA	27
HR	KRUŽNA PILA	31
RO	FIERĂSTRĂU CIRCULAR FARA ACUMULATOR	36
HU	KÖRFŰRÉSZ	41
BG	РЪЧЕН ЦИРКУЛЯР	45
LT	DISKINIS PJKLAS	51
CE		55



3



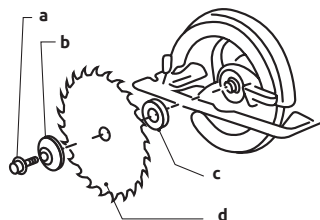
4

a. Bolt: Vis / Bullone / Βίδα / Zavrtnj / Vijak / Bolt / Csava / Болт / Varžtas

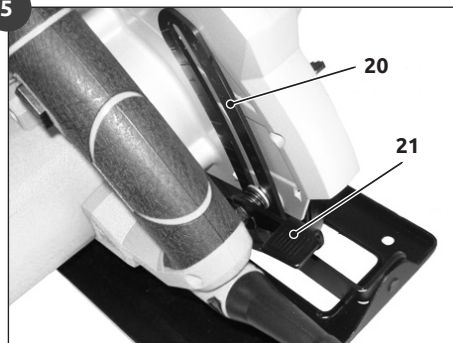
b. Outer flange: Bride extérieure / Flangia esterna / Εξωτερική φλάντζα / Spoljašnja prirubnica / Vanjska prirubnica / Flanșă exterioră / Kúlső karima / Външен фланец / Išorinis flanšas

c. Inner flange: Bride intérieure / Flangia interna / Εσωτερική φλάντζα / Unutrašnja prirubnica / Unutarnja prirubnica / Flanșă interioară / Belső karima / Вътрешен фланец / Vidinis flanšas

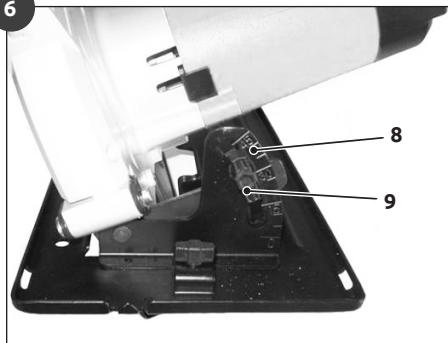
d. Saw blade: Lame de scie / Lama / Πριονόδισκος / List testere / List pile / Lamă de ferăstrău / Fűrészlap / Диск на циркуляра / Pjűklo geležtė



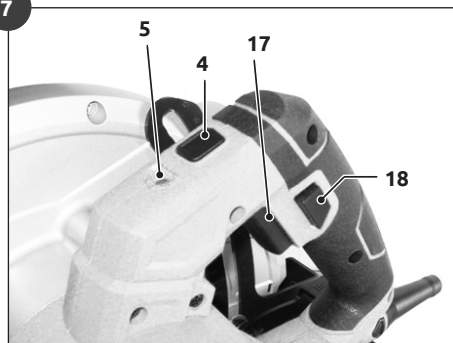
5



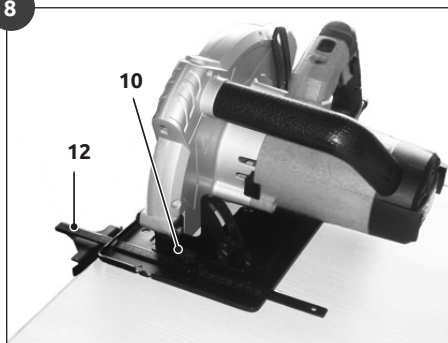
6









7









8



	ENGLISH	FRANÇAIS	ITALIANO	ΕΛΛΗΝΙΚΑ
	EXPLANATION OF SYMBOLS	EXPLICATION DES SYMBOLES	SPIEGAZIONE DEI SIMBOLI	ΕΠΕΞΗΓΗΣΗ ΣΥΜΒΟΛΩΝ
	Always read and understand the instructions before operating	Toujours lire et comprendre les instructions avant d'opérer	Leggere e comprendere sempre le istruzioni prima di operare	Διαβάστε και κατανοήστε τις οδηγίες χρήσης πάντα πριν από τη λειτουργία
	Always wear appropriate eye protection when operating	Portez toujours une protection oculaire appropriée lorsque vous utilisez	Indossare sempre un'adeguata protezione oculare quando si opera	Να χρησιμοποιείτε πάντα κατάλληλη προστασία ματιών κατά τη λειτουργία
	Always wear appropriate ear protection when operating	Portez toujours une protection de l'oreille appropriée lors de l'exploitation	Indossare sempre un'adeguata protezione dell'orecchio quando si opera	Να χρησιμοποιείτε πάντα κατάλληλη προστασία αυτιών κατά τη λειτουργία
	Always wear appropriate protective breathing mask when operating	Portez toujours un masque respiratoire protecteur approprié lors de l'opération	Indossare sempre la protezione della maschera protettiva durante il funzionamento	Να χρησιμοποιείτε πάντα κατάλληλη μάσκα αναπνοής κατά τη λειτουργία
	Always wear appropriate hand protection when operating	Portez toujours une protection appropriée pour les mains lors de l'exploitation	Indossare sempre la protezione della mano appropriata quando si opera	Να χρησιμοποιείτε πάντα κατάλληλη προστασία χεριών κατά τη λειτουργία
	Do not keep or operate in wet environment	Ne pas conserver ou opérer dans un environnement humide	Non tenere o operare in un ambiente umido	Μη διατηρείτε ή λειτουργείτε σε υγρό περιβάλλον

SRPSKI	HRVATSKI	ROMÂNĂ	MAGYAR	БЪЛГАРСКИ	LIETUVIŲ K.
OBJAŠNJENJE SIMBOLA	OBJAŠNJENJE SIMBOLA	EXPLICAREA SIMBOLURILOR	SZIMBÓLUMOK JELENTÉSE	ОБЯСНЕНИЕ НА СИМВОЛИТЕ	SIMBOLIŲ PAAIŠKINIMAS
Uvek pročitajte i razumejte uputstva pre rada	Uvijek pročitajte i shvatite upute prije operacije	Citiți și înțelegeți întotdeauna instrucțiunile înainte de a utiliza	Használat előtt mindig olvassa el és értse meg az utasításokat	Винаги четете и разбирайте инструкциите преди работа	Prieš pradėdami dirbti, visada perskaitykite ir supraskite instrukcijas
Uvek nosite odgovarajuću zaštitu za oči kada radila	Uvijek nosite odgovarajuću zaštitu očiju kada djelujete	Purtați întotdeauna o protecție adecvată a ochilor atunci când acționați	Munka közben mindig viseljen megfelelő szemvédőt	Винаги носете подходяща защита на очите, когато работите	Dirbdami visada dėvėkite tinkamas akių apsaugos priemones
Uvek nosite odgovarajuću zaštitu za uši kada radila	Uvijek nosite odgovarajuću zaštitu za uši prilikom rada	Purtați întotdeauna o protecție adecvată a urechii în timpul funcționării	Működés közben mindig viseljen megfelelő fülvédőt	Винаги носете подходяща защита за ухото при работа	Dirbdami visada dėvėkite tinkamas ausų apsaugos priemones
Uvek nosite odgovarajuću zaštitnu masku za disanje prilikom rada	Prilikom rada uvijek nosite odgovarajuću zaštitnu masku za disanje	Purtați întotdeauna o mască de respirație de protecție adecvată în timpul funcționării	Munka közben mindig viseljen megfelelő légzőmaszkot	Винаги носете подходяща предпазна маска за дишане, когато	Dirbdami visada dėvėkite tinkamą apsauginę kvėpavimo kaukę
Uvek nosite odgovarajuću zaštitu ruku kada radila	Prilikom rada uvijek nosite odgovarajuću zaštitu ruku	Purtați întotdeauna o protecție adecvată a mâinii în timpul funcționării	Munka közben mindig viseljen megfelelő kézvédőt	Винаги носете подходяща защита за ръцете при работа	Dirbdami visada dėvėkite tinkamą rankų apsaugą
Ne držite ili ne radite u vlažnom okruženju	Nemojte držati ili ne raditi u mokrom okruženju	Nu păstrați și nu acționați într-un mediu umed	Ne tárolja és ne működtesse nedves környezetben	Не съхранявайте и не работете в мокра среда	Negalima laikyti ar veikti drėgnoje aplinkoje

	ENGLISH	FRANÇAIS	ITALIANO	ΕΛΛΗΝΙΚΑ
	EXPLANATION OF SYMBOLS	EXPLICATION DES SYMBOLES	SPIEGAZIONE DEI SIMBOLI	ΕΠΕΞΗΓΗΣΗ ΣΥΜΒΟΛΩΝ
	Keep hands and feet clear of rotating parts	Gardez les mains et les pieds éloignés des pièces en rotation	Tenere mani e piedi lontani dalle parti rotanti	Διατηρείτε τα χέρια και τα πόδια σας μακριά από τα περιστρεφόμενα μέρη
	Risk of eye damage, due to source of light or laser beam. Do not direct towards the naked eye	Risque de lésions oculaires dues à la source de lumière ou au faisceau laser. Ne pas diriger vers l'œil nu	Rischio di danni agli occhi, a causa di sorgente di luce o raggio laser. Non dirigere ad occhio nudo	Κίνδυνος βλάβης στα μάτια, λόγω πηγής φωτός ή δέσμης λέιζερ. Μην κατευθύνετε σε γυμνό μάτι
	Important, danger, warning, or caution	Important, danger ou avertissement	Importante, pericolo o avviso	Σημαντικό, κίνδυνος ή προειδοποίηση
	Double insulation	Double insulation	Doppio isolamento	Διπλή μόνωση
	Must be recycled and should always be disposed in accordance with applicable directives	Doit être recyclé et doit toujours être éliminé conformément aux directives applicables	Deve essere riciclato e deve essere sempre smaltito secondo le direttive applicabili	Πρέπει να ανακυκλώνεται και πρέπει πάντα να απορρίπτεται σύμφωνα με τις ισχύουσες οδηγίες
	Complies with applicable safety directives and relative standards	Conforme aux directives de sécurité applicables et aux normes relatives	Conforme alle direttive di sicurezza applicabili e alle relative norme	Συμμορφώνεται με τις ισχύουσες οδηγίες ασφαλείας και τα σχετικά πρότυπα

SRPSKI	HRVATSKI	ROMÂNĂ	MAGYAR	БЪЛГАРСКИ	LIETUVIŲ K.
OBJAŠNJENJE SIMBOLA	OBJAŠNJENJE SIMBOLA	EXPLICAREA SIMBOLURILOR	SZIMBÓLUMOK JELENTÉSE	ОБЯСНЕНИЕ НА СИМВОЛИТЕ	SIMBOLIŲ PAAIŠKINIMAS
Drži ruke i noge dalje od rotirajućih delova	Držite ruke i noge dalje od rotirajućih dijelova	Țineți mâinile și picioarele departe de părțile rotative	Kezét és lábát tartsa távol a forgó alkatrészektol	Дръжте ръцете и краката далеч от въртящи се части	Rankas ir kojas laikykite toliau nuo besisukančių dalių
Rizik od oštećenja očiju, zbog izvora svetlosti ili laserskog zraka. Ne usmeravaj prema golim okom	Rizik od oštećenja oka, zbog izvora svetlosti ili laserske zrake. Ne usmjeravati prema golom oku	Risc de deteriorare a ochilor, din cauza sursei de lumină sau a fasciculului laser. Nu îndreptați spre ochiul liber	Szemkárosodás veszélye fényforrás vagy lézersugár miatt. Ne irányítsa szabad szemre	Риск от увреждане на очите поради източник на светлина или лазерен лъч. Не насочвайте към невъоръжено око	Akių pažeidimo rizika dėl šviesos šaltinio ar lazerio spindulio. Negalima nukreipti į plika akimi
Važno, opasnost ili upozorenje	Važno, opasnost ili upozorenje	Important, pericol sau avertisment	Fontos, veszély, figyelmeztetés vagy óvatosság	Важно, опасно или Предупреждение	Svarbu, pavojus, įspėjimas ar atsargumas
Dvostruka izolacija	Dvostruka izolacija	Izolație dublă	Dupla szigetelés	Двойна изолация	Dviguba izoliacija
Mora se reciklirati i uvek ga treba raspolagati u skladu sa važećim direktivama	Mora se reciklirati i uvijek zbrinuti u skladu s važećim direktivama	Trebuie reciclat și trebuie întotdeauna eliminat în conformitate cu directivele aplicabile	Újrahasznosítani kell, és mindig a vonatkozó irányelveknek megfelelően kell ártalmatlanítani	Трябва да се рециклира и винаги да се изхвърля в съответствие с приложимите директиви	Turi būti perdirbtas ir visada turi būti šalinamas pagal taikomas direktyvas
U skladu sa važećim bezbednosnim direktivama i relativnim standardima	U skladu s primjenjivim sigurnosnim direktivama i relativnim standardima	Respectă directivele de siguranță aplicabile și standardele aferente	Megfelel a vonatkozó biztonsági irányelveknek és a vonatkozó szabványoknak	Съответства на приложимите директиви за безопасност и съответните стандарти	Atitinka taikomas saugos direktyvas ir santykinius standartus

English

GENERAL POWER TOOL SAFETY WARNINGS

Read all safety warnings and all instructions. Failure to follow the warnings and instructions may result in electric shock, fire and/or serious injury.

Save all warnings and instructions for future reference. The term "power tool" in the warnings refers to your mains-operated (corded) power tool or battery-operated (cordless) power tool.

Work area safety

- ▶ Keep work area clean and well lit. Cluttered or dark areas invite accidents.
- ▶ Do not operate power tools in explosive atmospheres, such as in the presence of flammable liquids, gases or dust. Power tools create sparks which may ignite the dust or fumes.
- ▶ Keep children and bystanders away while operating a power tool. Distractions can cause you to lose control.

Electrical safety

- ▶ Power tool plugs must match the outlet. Never modify the plug in any way. Do not use any adapter plugs with earthed (grounded) power tools. Unmodified plugs and matching outlets will reduce risk of electric shock.
- ▶ Avoid body contact with earthed or grounded surfaces, such as pipes, radiators, ranges and refrigerators. There is an increased risk of electric shock if your body is earthed or grounded.
- ▶ Do not expose power tools to rain or wet conditions. Water entering a power tool will increase the risk of electric shock.
- ▶ Do not abuse the cord. Never use the cord for carrying, pulling or unplugging the power tool. Keep cord away from heat, oil, sharp edges and moving parts. Damaged or entangled cords increase the risk of electric shock.
- ▶ When operating a power tool outdoors, use an extension cord suitable for outdoor use. Use of a cord suitable for outdoor use reduces the risk of electric shock.
- ▶ If operating a power tool in a damp location is unavoidable, use a residual current device (RCD) protected supply. Use of an RCD reduces the risk of electric shock.

Personal safety

- ▶ Stay alert, watch what you are doing and use common sense when operating a power tool. Do not use a power tool while you are tired or under the influence of drugs, alcohol or medication. A moment of inattention while operating power tools may result in serious personal injury.
- ▶ Use personal protective equipment. Always wear eye protection. Protective equipment such as dust mask, non-skid safety shoes, hard hat, or hearing protection used for appropriate conditions will reduce personal injuries.
- ▶ Prevent unintentional starting. Ensure the switch is in the off-position before connecting to power source and/or battery pack, picking up or carrying the tool. Carrying power tools with your finger on the switch or energizing power tools that have the switch on invites accidents.

- ▶ Remove any adjusting key or wrench before turning the power tool on. A wrench or a key left attached to a rotating part of the power tool may result in personal injury.
- ▶ Do not overreach. Keep proper footing and balance at all times. This enables better control of the power tool in unexpected situations.
- ▶ Dress properly. Do not wear loose clothing or jewelry. Keep your hair, clothing and gloves away from moving parts. Loose clothes, jewelry or long hair can be caught in moving parts.
- ▶ If devices are provided for the connection of dust extraction and collection facilities, ensure these are connected and properly used. Use of dust collection can reduce dust-related hazards.

Power tool use and care

- ▶ Do not force the power tool. Use the correct power tool for your application. The correct power tool will do the job better and safer at the rate for which it was designed.
- ▶ Do not use the power tool if the switch does not turn it on and off. Any power tool that cannot be controlled with the switch is dangerous and must be repaired.
- ▶ Disconnect the plug from the power source and/or the battery pack from the power tool before making any adjustments, changing accessories, or storing power tools. Such preventive safety measures reduce the risk of starting the power tool accidentally.
- ▶ Store idle power tools out of the reach of children and do not allow persons unfamiliar with the power tool or these instructions to operate the power tool. Power tools are dangerous in the hands of untrained users.
- ▶ Maintain power tools. Check for misalignment or binding of moving parts, breakage of parts and any other condition that may affect the power tool's operation. If damaged, have the power tool repaired before use. Many accidents are caused by poorly maintained power tools.
- ▶ Keep cutting tools sharp and clean. Properly maintained cutting tools with sharp cutting edges are less likely to bind and are easier to control.
- ▶ Use the power tool, accessories and tool bits etc. in accordance with these instructions, taking into account the working conditions and the work to be performed. Use of the power tool for operations different from those intended could result in a hazardous situation.

Service

Have your power tool serviced by a qualified repair person using only identical replacement parts. This will ensure that the safety of the power tool is maintained.

SAFETY WARNINGS FOR CIRCULAR SAWS

Cutting procedures

DANGER:

- ▶ Keep hands away from cutting area and the blade. Keep your second hand on auxiliary handle, or motor housing. If both hands are holding the saw, they cannot be cut by the blade.

- ▶ Do not reach underneath the workpiece. The guard cannot protect you from the blade below the workpiece.
- ▶ Adjust the cutting depth to the thickness of the workpiece. Less than a full tooth of the blade teeth should be visible below the workpiece.
- ▶ Never hold piece being cut in your hands or across your leg. Secure the workpiece to a stable platform. It is important to support the work properly to minimize body exposure, blade binding, or loss of control.
- ▶ Hold the power tool by insulated gripping surfaces only, when performing an operation where the cutting tool may contact hidden wiring or its own cord. Contact with a "live" wire will also make exposed metal parts of the power tool "live" and could give the operator an electric shock.
- ▶ When ripping, always use a rip fence or straight edge guide. This improves the accuracy of cut and reduces the chance of blade binding.
- ▶ Always use blades with correct size and shape (diamond versus round) of arbour holes. Blades that do not match the mounting hardware of the saw will run eccentrically, causing loss of control.
- ▶ Never use damaged or incorrect blade washers or bolt. The blade washers and bolt were specially designed for your saw, for optimum performance and safety of operation.
- ▶ Kickback causes and related warnings
 - Kickback is a sudden reaction to a pinched, bound or misaligned saw blade, causing an uncontrolled saw to lift up and out of the workpiece toward the operator;
 - When the blade is pinched or bound tightly by the kerf closing down, the blade stalls and the motor reaction drives the unit rapidly back toward the operator;
 - If the blade becomes twisted or misaligned in the cut, the teeth at the back edge of the blade can dig into the top surface of the wood causing the blade to climb out of the kerf and jump back toward the operator. Kickback is the result of saw misuse and/or incorrect operating procedures or conditions and can be avoided by taking proper precautions as given below.
- ▶ Maintain a firm grip with both hands on the saw and position your arms to resist kickback forces. Position your body to either side of the blade, but not in line with the blade. Kickback could cause the saw to jump backwards, but kickback forces can be controlled by the operator, if proper precautions are taken.
- ▶ When blade is binding, or when interrupting a cut for any reason, release the trigger and hold the saw motionless in the material until the blade comes to a complete stop. Never attempt to remove the saw from the work or pull the saw backward while the blade is in motion or kickback may occur. Investigate and take corrective actions to eliminate the cause of blade binding.
- ▶ When restarting a saw in the workpiece, centre the saw blade in the kerf and check that saw teeth are not engaged into the material. If saw blade is binding, it may walk up or kickback from the workpiece as the saw is restarted.
- ▶ Support large panels to minimize the risk of blade pinching and kickback. Large panels tend to sag under

their own weight. Supports must be placed under the panel on both sides, near the line of cut and near the edge of the panel.

- ▶ Do not use dull or damaged blades. Unsharpened or improperly set blades produce narrow kerf causing excessive friction, blade binding and kickback.
- ▶ Blade depth and bevel adjusting locking levers must be tight and secure before making cut. If blade adjustment shifts while cutting, it may cause binding and kickback.
- ▶ Use extra caution when sawing into existing walls or other blind areas. The protruding blade may cut objects that can cause kickback.

Lower guard function

- ▶ Check lower guard for proper closing before each use. Do not operate the saw if lower guard does not move freely and close instantly. Never clamp or tie the lower guard into the open position. If saw is accidentally dropped, lower guard may be bent. Raise the lower guard with the retracting handle and make sure it moves freely and does not touch the blade or any other part, in all angles and depths of cut.
- ▶ Check the operation of the lower guard spring. If the guard and the spring are not operating properly, they must be serviced before use. Lower guard may operate sluggishly due to damaged parts, gummy deposits, or a build-up of debris.
- ▶ The lower guard may be retracted manually only for special cuts such as "plunge cuts and angle cuts". Raise the lower guard by retracting the handle and as soon as the blade enters the material, release the lower guard. For all other sawing operations, the lower guard should operate automatically.
- ▶ Always observe that the lower guard is covering the blade before placing saw down on bench or floor. An unprotected, coasting blade will cause the saw to walk backwards, cutting whatever is in its path. Be aware of the time it takes for the blade to stop after switch is released.

TECHNICAL SPECIFICATION:

Article number		41 344	41 345
Model		CS 65/1500 PLUS	CS 85/2000 PLUS
Voltage	V	230-240	230-240
Frequency	Hz	50	50
Power rating	W	1.500	2.000
No load speed	min ⁻¹	5.800	5.000
Blade size	mm	Ø185	Ø235
Max cutting depth in 90°	mm	65	85
Max cutting depth in 45°	mm	43	56
Weight (without accessories) approx	kg	4,4	6,3

Protection class

□ / II

Sound emission values determined according to EN 62841-1, EN 62841-2-5

Typically the A-weighted noise levels of the product are:

Sound pressure level	dB(A)	96,6	93,4
Sound power level	dB(A)	107,6	104,4
Uncertainty K	dB	3	3

Wear hearing protection!**Vibration total values a_h (triaux vector sum) and uncertainty K determined according to EN 62841-1, EN 62841-2-5**

Vibration total values:

a_h	m/s^2	3,37	4,73
K	m/s^2	1,5	1,5

Functional Description:

1. Lever of lower guard
2. Dust extraction outlet
3. Saw blade (select models)
4. Laser generator switch (select model)
5. Power-on indicator (select models)
6. Auxiliary handle (select models)
7. Laser generator (select models)
8. Miter scale
9. Lock knob for angle adjustment
10. Lock knob for parallel guide
11. Baseplate
12. Parallel guide
13. Outer flange
14. Blade clamp bolt
15. Lower guard
16. Spindle lock button
17. ON/OFF switch
18. Lock-off button
19. Main handle
20. Depth of cut scale
21. Lock lever for depth adjustment

ASSEMBLY

Important: Prior to any assembly and adjustment always unplug the tool.

Changing the blade (3, 4)

Warning: Always disconnect the plug from the power mains before making any adjustment or attaching any accessories.

1. Place this circular saw on its side on a flat surface. Advice you bring the base plate down as a minimum depth cut then it is ease to change the blade.
2. Push the spindle lock button **16** toward motor housing as the arrow shows in image 3 and firmly hold it.
3. Turn the blade clamp bolt **14** anti-clockwise by using the wrench that supplied with the tool.
4. Remove the blade clamp bolt **14** and outer flange **13**.

5. Raise the lower guard **15** by using the lever for lower guard **1**, and then remove the saw blade.
6. Clean the saw blade flanges, then mount the new saw blade onto the output spindle and against the inner flange.
7. Make sure the saw teeth and arrow on the blade is to be the same direction as the arrow on the lower guard.
8. Reinstall the outer flange, and tighten the blade clamp bolt.
9. Make sure that the saw blade runs freely by turning the blade by hand.

Depth adjustment (5)

1. Loosen the lock lever for depth adjustment **21**.
2. Hold the baseplate flat against the edge of the work piece and lift the body of the saw until the blade is at the right depth determined by the depth of cut scale **20** (align the scale line).
3. Tighten the lock lever for depth adjustment.

Angle adjustment (6)

1. Loosen the Lock knob for angle adjustment **9**.
2. Adjust the shoe to the desired angle between 0° to 45°. [See miter scale **8**].
3. Tighten the lock knob for angle adjustment.

Switch on and off (7)

Before engage the ON/OFF switch, check that the saw blade is properly fitted and run smoothly, the blade clamp bolt is well tightened.

1. Connect the plug to the power supply, the power-on indicator **5** is illumed until the tool disconnect from the power mains.
2. To switch on the circular saw, press the lock-off button **18** and pull the ON/OFF switch trigger **17**.
3. When you release the switch trigger **17**, the tool turns off.

Parallel cut adjustment (8)

1. Loosen the lock knob of edge guide **10**.
2. Slide the parallel guide **12** through the slots in the shoe to the desired width.
3. Tighten the lock bolt to fit it in the position.
4. Ensure that the edge guide rests against the wood along its entire length to give a consistent parallel cuts.

Laser line generator (7)

Warnings: Do not stare directly at the laser beam, do not deliberately aim the beam at personnel and ensure that it is not directed towards the eye of a person for longer than 0.25s. When you make the line of the cut on the work piece, the laser line generator can help you get better alignment.

Turn on: Press the laser generator switch **4**, the laser generator **7** works.

Turn off: Press the switch again.

1. Check that the laser line aligns with the cutting line as marked on the workpiece.
2. Adjust the angle of cut as required
3. Plug in the machine and start the motor
4. When the blade is at its maximum speed (approximately 2 seconds), place the saw on the work-piece.

5. Switch on the laser generator from the laser aperture using the laser generator switch **4**.
6. Align the beam with the mark on the work-piece and slowly push the saw forward using both hands, keeping the red light beam on the mark.
7. Switch off the laser beam when completion of the cut.

OPERATION

General cutting

1. When starting, always hold the saw handle with one hand and the auxiliary handle **6** with the other hand. Never force the saw but maintain a light and continuous pressure after completing the cut allow the saw to come to a complete stop. When cutting is interrupted, resume cutting by allowing the blade to reach full speed and then reentering the cut slowly.
2. When cutting across the grain, the fibers of the wood have a tendency to lift and tear, moving the saw slowly minimizes this effect.

Pocket cutting

1. Disconnect the plug from the power supply before making any adjustments. Set the depth adjustment based on the thickness of the line drawing for the cut. Raise the lower guard by using the lift lever.
2. With the blade barely above the material to be cut, start the saw and allow the blade to come to full speed. Gradually lower the blade onto the material to be cut using the front end of the shoe as a pivot point. When the blade starts cutting, release the lower guard. When the shoe is resting flat on the surface being cut, proceed cutting in a forward direction to the end of the cut. Allow the blade to come to a full stop before removing it from the cut. Never pull the saw backward since the blade will climb out of the cut and kickback will occur. Turn the saw around and finish the cut in a normal manner, sawing forward. Use a jigsaw or a hand saw to finish the cut in the corners, if required.

Cutting Large Sheets

1. Large sheet or boards require support to prevent bends or sags. If you attempt to cut without leveling and properly supporting the work piece, the blade will tend to bind, causing kickback.
2. Support the panel or board close to the cut. Be sure to set the blade adjustment so that you can cut through the material without cutting into the table or workbench. Suggestion: use two by fours to support the board or panel to be cut. If the piece is too large for the workbench, use the floor with the two-by fours supporting the wood.

MAINTENANCE

1. To prevent accidents, always unplug the saw from the power source before cleaning or performing any maintenance the saw may be cleaned most effectively using compressed air. Always wear safety goggles when using compressed air. If compressed air is not available, use a brush to remove dust and chips from the saw.

2. Motor ventilation vents and switch levers must be kept clean and free of foreign matter. Do not attempt to clean by inserting pointed objects through openings.
3. Never use any caustic agents to clean plastic parts. Such as: gasoline, carbon tetrachloride, chlorinated cleaning solvents, ammonia and household cleaners containing ammonia. Do not use any of these to clean the saw.
4. Have an authorized service center examine and/or replace the worn carbon brushes in the event of excessive parking.
5. Blades become dull even when cutting regular lumber, a sure sign of a dull blade is the need to force the saw forward instead of guiding it while making a cut. Take the blade to a service center for sharpening.
6. Keep the machine clean all the time.
7. If you discover any damage, consult the exploded drawing and parts list to determine exactly which replacement part you need to order from our customer service department.
8. Clean the housing only with a damp cloth. Do not use any solvents! Dry thoroughly afterwards. In order to maintain battery capacity, we recommend the battery to be completely discharged every one month and fully recharged again. Only store with a fully charged battery and top-up the charge from time to time if stored for a long time. Store in a dry and frost-free place, the ambient temperature should not exceed 40°C.
9. If the supply cord of this power tool is damaged, it must be replaced by a similar cord available through the service organization or a qualified authoritative technician.
10. For safety reasons, the machine automatically switches off if the carbon brushes are so worn out that they no longer have contact with the motor. In that case, the carbon brushes must be replaced by a pair similar carbon brush available through the after-sales service organization or qualified professional person.

CAUTION: The brushes must always be replaced in pairs.

CAUTION: Always disconnect the machine from the power supply before removing any electrical covers.

ENVIRONMENTAL PROTECTION

Do not dispose of electrical appliances as unsorted municipal waste, use separate collection facilities. Contact you local government for information regarding the collection systems available. If electrical appliances are disposed of in landfills or dumps, hazardous substances can leak into the groundwater and get into the food chain, damaging your health and well-being.

WARRANTY

This product is warranted in accordance with the legal / country specific regulations, effective from the date of purchase by the first user. Damage attributable to normal wear and tear, overload or improper handling will be excluded from the warranty. In case of a claim, please send the machine, completely assembled, to your dealer or the official service center.

Français

AVERTISSEMENTS DE SÉCURITÉ GÉNÉRAUX POUR L'OUTIL

Lire tous les avertissements de sécurité et toutes les instructions. Ne pas suivre les avertissements et instructions peut donner lieu à un choc électrique, un incendie et/ou une blessure sérieuse.

Conservé tous les avertissements et toutes les instructions pour pouvoir s'y reporter ultérieurement. Le terme «outil» dans les avertissements fait référence à votre outil électrique alimenté par le secteur (avec cordon d'alimentation) ou votre outil fonctionnant sur batterie (sans cordon d'alimentation).

Sécurité de la zone de travail

- ▶ Conserver la zone de travail propre et bien éclairée. Les zones en désordre ou sombres sont propices aux accidents.
- ▶ Ne pas faire fonctionner les outils électriques en atmosphère explosive, par exemple en présence de liquides inflammables, de gaz ou de poussières. Les outils électriques produisent des étincelles qui peuvent enflammer les poussières ou les fumées.
- ▶ Maintenir les enfants et les personnes présentes à l'écart pendant l'utilisation de l'outil. Les distractions peuvent vous faire perdre le contrôle de l'outil.

Sécurité électrique

- ▶ Il faut que les fiches de l'outil électrique soient adaptées au socle. Ne jamais modifier la fiche de quelque façon que ce soit. Ne pas utiliser d'adaptateurs avec des outils à branchement de terre. Des fiches non modifiées et des socles adaptés réduiront le risque de choc électrique.
- ▶ Éviter tout contact du corps avec des surfaces reliées à la terre telles que les tuyaux, les radiateurs, les cuisinières et les réfrigérateurs. Il existe un risque accru de choc électrique si votre corps est relié à la terre.
- ▶ Ne pas exposer les outils à la pluie ou à des conditions humides. La pénétration d'eau à l'intérieur d'un outil augmentera le risque de choc électrique.
- ▶ Ne pas maltraiter le cordon. Ne jamais utiliser le cordon pour porter, tirer ou débrancher l'outil. Maintenir le cordon à l'écart de la chaleur, du lubrifiant, des arêtes ou des parties en mouvement. Les cordons endommagés ou emmêlés augmentent le risque de choc électrique.
- ▶ Lorsqu'on utilise un outil à l'extérieur, utiliser un prolongateur adapté à l'utilisation extérieure. L'utilisation d'un cordon adapté à l'utilisation extérieure réduit le risque de choc électrique.
- ▶ Si l'usage d'un outil dans un emplacement humide est inévitable, utiliser une alimentation protégée par un dispositif à courant différentiel résiduel (RCD). L'usage d'un RCD réduit le risque de choc électrique.

Sécurité des personnes

- ▶ Rester vigilant, regarder ce que vous êtes en train de faire et faire preuve de bon sens dans l'utilisa-

tion de l'outil. Ne pas utiliser un outil lorsque vous êtes fatigué ou sous l'emprise de drogues, d'alcool ou de médicaments. Un moment d'inattention en cours d'utilisation d'un outil peut entraîner des blessures graves des personnes.

- ▶ Utiliser un équipement de sécurité. Toujours porter une protection pour les yeux. Les équipements de sécurité tels que les masques contre les poussières, les chaussures de sécurité antidérapantes, les casques ou les protections acoustiques utilisés pour les conditions appropriées réduiront les blessures des personnes.
- ▶ Éviter tout démarrage intempestif. S'assurer que l'interrupteur est en position arrêt avant de brancher l'outil au secteur et/ou au bloc de batteries, de le ramasser ou de le porter. Porter les outils en ayant le doigt sur l'interrupteur ou brancher des outils dont l'interrupteur est en position marche est source d'accidents.
- ▶ Retirer toute clé de réglage avant de mettre l'outil en marche. Une clé laissée fixée sur une partie tournante de l'outil peut donner lieu à des blessures de personnes.
- ▶ Ne pas se précipiter. Garder une position et un équilibre adaptés à tout moment. Cela permet un meilleur contrôle de l'outil dans des situations inattendues.
- ▶ S'habiller de manière adaptée. Ne pas porter de vêtements amples ou de bijoux. Garder les cheveux, les vêtements et les gants à distance des parties en mouvement. Des vêtements amples, des bijoux ou les cheveux longs peuvent être pris dans des parties en mouvement.
- ▶ Si des dispositifs sont fournis pour le raccordement d'équipements pour l'extraction et la récupération des poussières, s'assurer qu'ils sont connectés et correctement utilisés. Utiliser des collecteurs de poussière peut réduire les risques dus aux poussières.

Utilisation et entretien de l'outil

- ▶ Ne pas forcer l'outil. Utiliser l'outil adapté à votre application. L'outil adapté réalisera mieux le travail et de manière plus sûre au régime pour lequel il a été construit.
- ▶ Ne pas utiliser l'outil si l'interrupteur ne permet pas de passer de l'état de marche à arrêt et vice versa. Tout outil qui ne peut pas être commandé par l'interrupteur est dangereux et il faut le faire réparer.
- ▶ Débrancher la fiche de la source d'alimentation en courant et/ou le bloc de batteries de l'outil avant tout réglage, changement d'accessoires ou avant de ranger l'outil. De telles mesures de sécurité préventives réduisent le risque de démarrage accidentel de l'outil.
- ▶ Conserver les outils à l'arrêt hors de la portée des enfants et ne pas permettre à des personnes ne connaissant pas l'outil ou les présentes instructions de le faire fonctionner. Les outils sont dangereux entre les mains d'utilisateurs novices.
- ▶ Observer la maintenance de l'outil. Vérifier qu'il n'y a pas de mauvais alignement ou de blocage des parties mobiles, des pièces cassées ou toute autre condition pouvant affecter le fonctionnement de l'outil. En cas de dommages, faire réparer l'outil

avant de l'utiliser. De nombreux accidents sont dus à des outils mal entretenus.

- ▶ Garder affûtés et propres les outils permettant de couper. Des outils destinés à couper correctement entretenus avec des pièces coupantes tranchantes sont moins susceptibles de bloquer et sont plus faciles à contrôler.
- ▶ Utiliser l'outil, les accessoires et les lames etc., conformément à ces instructions, en tenant compte des conditions de travail et du travail à réaliser. L'utilisation de l'outil pour des opérations différentes de celles prévues pourrait donner lieu à des situations dangereuses.

Maintenance et entretien

Faire entretenir l'outil par un réparateur qualifié utilisant uniquement des pièces de rechange identiques. Cela assurera que la sécurité de l'outil est maintenue.

INSTRUCTIONS DE SÉCURITÉ POUR SCIES CIRCULAIRES

Procédures de coupe

- ▶ **DANGER:** N'approchez pas les mains de la zone de coupe et de la lame. Gardez la deuxième main sur la poignée auxiliaire ou sur le boîtier du moteur. Si les deux mains tiennent la scie, elles ne peuvent pas être coupées par la lame.
 - ▶ N'exposez aucune partie de votre corps sous la pièce à travailler. Le protecteur ne peut pas vous protéger de la lame sous la pièce à travailler.
 - ▶ Ajustez la profondeur de coupe à l'épaisseur de la pièce à travailler. Il convient que moins de la totalité d'une dent parmi toutes les dents de la lame soit visible sous la pièce à travailler.
 - ▶ Ne tenez jamais la pièce à débiter dans vos mains ou sur vos jambes. Assurez-vous que la pièce à travailler se trouve sur une plate-forme stable. Il est important que la pièce à travailler soit soutenue convenablement, afin de minimiser l'exposition du corps, le grippage de la lame, ou la perte de contrôle.
 - ▶ Maintenez l'outil uniquement par les surfaces de prise isolantes, si l'outil coupant, en marche, peut être en contact avec des conducteurs cachés ou avec son propre cordon d'alimentation. Le contact avec un fil « sous tension » mettra également « sous tension » les parties métalliques exposées de l'outil et provoquera un choc électrique sur l'opérateur.
 - ▶ Lors d'une coupe, utilisez toujours un guide parallèle ou un guide à bords droits. Cela améliore la précision de la coupe et réduit les risques de grippage de la lame.
 - ▶ Toujours utiliser des lames de scie de la bonne taille, de forme adaptée à l'alésage de fixation (par ex. en losange ou rondes). Des lames ne convenant pas aux pièces de montage de la scie ne tournent pas rond et conduisent à une perte de contrôle.
 - ▶ N'utilisez jamais de rondelles ou de boulons de lames endommagés ou inadaptés. Les rondelles et les boulons de lames ont été spécialement conçus pour votre scie, afin de garantir une performance optimale et une sécurité de fonctionnement.
 - ▶ Causes du recul et mises en garde correspondantes
- Le recul est une réaction soudaine observée sur une lame de scie pincée, bloquée ou mal alignée, faisant sortir la scie de la pièce à travailler de manière incontrôlée dans la direction de l'opérateur;
 - Lorsque la lame est pincée ou bloquée fermement par le fond du trait de scie, la lame se bloque et le moteur fait retourner brutalement le bloc à l'opérateur;
 - Si la lame se tord ou est mal alignée lors de la coupe, les dents sur le bord arrière de la lame peuvent creuser la face supérieure du bois, ce qui fait que la lame sort du trait de scie et est projetée sur l'opérateur.
- Le recul est le résultat d'un mauvais usage de la scie et/ou de procédures ou de conditions de fonctionnement incorrectes et peut être évité en prenant les précautions adéquates spécifiées ci-dessous.
- ▶ Maintenez fermement la scie avec les deux mains et positionnez vos bras afin de résister aux forces de recul. Positionnez votre corps de chaque côté de la lame, mais pas dans l'alignement de la lame. Le recul peut faire revenir la scie en arrière, mais les forces de recul peuvent être maîtrisées par l'opérateur, si les précautions adéquates sont prises.
 - ▶ Lorsque la lame est grippée ou lorsqu'une coupe est interrompue pour quelque raison que ce soit, relâchez le bouton de commande et maintenez la scie immobile dans le matériau, jusqu'à ce que la lame arrête complètement de fonctionner. N'essayez jamais de retirer la scie de la pièce à travailler ou de tirer la scie en arrière pendant que la lame est en mouvement ou que le recul peut se produire. Recherchez et prenez des mesures correctives afin d'empêcher que la lame ne se grippe.
 - ▶ Lorsque vous remettez en marche une scie dans la pièce à travailler, centrez la lame de scie dans le trait de scie et vérifiez que les dents de la scie ne soient pas rentrées dans le matériau. Si la lame de scie est grippée, elle peut venir chevaucher la pièce à travailler ou en sortir lorsque la scie est remise en fonctionnement.
 - ▶ Placez des panneaux de grande taille sur un support afin de minimiser les risques de pincement de la lame et de recul. Les grands panneaux ont tendance à fléchir sous leur propre poids. Les supports doivent être placés sous le panneau des deux côtés, près de la ligne de coupe et près du bord du panneau.
 - ▶ N'utilisez pas de lames émoussées ou endommagées. Des lames non aiguisées ou mal fixées entraînent un trait de scie rétréci, provoquant trop de frottements, un grippage de la lame et un recul.
 - ▶ La profondeur de la lame et les leviers de verrouillage et de réglage du biseau doivent être solides et stables avant de réaliser la coupe. Si l'ajustement de la lame dérive pendant la coupe, cela peut provoquer un grippage et un recul.
 - ▶ Soyez d'autant plus prudent lorsque vous découpez des parois existantes ou d'autres zones sans visibilité. La lame saillante peut couper des objets qui peuvent entraîner un recul.

Fonctionnement du protecteur inférieur

- ▶ Vérifiez que le protecteur inférieur soit bien fermé

avant chaque utilisation. Ne mettez pas la scie en marche si le protecteur inférieur ne se déplace pas librement et ne se ferme pas instantanément. Ne serrez jamais ou n'attachez jamais le protecteur inférieur en position ouverte. Si la scie tombe accidentellement, le protecteur inférieur peut se tordre. Soulevez le protecteur inférieur avec la poignée rétractive et assurez-vous qu'il bouge librement et n'est pas en contact avec la lame ou toute autre partie, à tous les angles et profondeurs de coupe.

- ▶ Vérifiez le fonctionnement du ressort du protecteur inférieur. Si le protecteur et le ressort ne fonctionnent pas correctement, ils doivent être révisés avant utilisation. Le protecteur inférieur peut fonctionner lentement en raison d'éléments endommagés, de dépôts collants ou de l'accumulation de débris.
- ▶ N'ouvrez le protecteur inférieur à la main que pour certaines coupes particulières, notamment les « coupes plongeantes ou angulaires ». Ouvrez alors le protecteur inférieur avec le levier de basculement et relâchez-le dès que la lame a plongé dans la pièce. Pour tous les autres travaux de sciage, laissez le protecteur inférieur fonctionner automatiquement.
- ▶ Vérifiez toujours que le protecteur inférieur recouvre la lame avant de poser la scie sur un établi ou sur le sol. Une lame non protégée et continuant à fonctionner par inertie entraînera la scie en arrière, et coupera alors tout ce qui se trouve sur sa trajectoire. Soyez conscient du temps nécessaire à la lame pour s'arrêter après que l'interrupteur est relâché.

SPÉCIFICATIONS TECHNIQUES:

N° d'article		41 344	41 345
Modèle		CS 65/1500 PLUS	CS 85/2000 PLUS
Tension	V	230-240	230-240
Fréquence	Hz	50	50
Puissance nominale	W	1.500	2.000
Vitesse hors charge	min ⁻¹	5.800	5.000
Taille de la lame	mm	Ø185	Ø235
Profondeur maximale de coupe à 90°	mm	65	85
Profondeur maximale de coupe à 45°	mm	43	56
Poids (sans accessoires) env.	kg	4,4	6,3

Classe de protection ☐/||

Valeurs d'émissions sonores déterminées selon la norme EN 62841-1, EN 62841-2-5

Les mesures réelles (A) des niveaux sonores de l'appareil sont

Niveau de pression acoustique	dB(A)	96,6	93,4
Niveau d'intensité acoustique	dB(A)	107,6	104,4
Incertitude K	dB	3	3

Portez une protection acoustique!

Valeurs totales des vibrations a_v (somme vectorielle des trois axes directionnels) et incertitude K relevés conformément à la norme EN 62841-1, EN 62841-2-5

Valeurs totales des vibrations:

a _h	m/s ²	3,37	4,73
K	m/s ²	1,5	1,5

Description fonctionnelle:

1. Levier du protège-lame inférieur
2. Orifice d'extraction de la poussière
3. Lame de scie (certains modèles)
4. Interrupteur générateur laser (certains modèles)
5. Indicateur de mise sous tension (certains modèles)
6. Poignée auxiliaire (certains modèles)
7. Générateur laser (certains modèles)
8. Graduation d'angle
9. Vis de blocage pour réglage de l'angle
10. Vis de blocage de guide de parallélisme
11. Semelle
12. Guide de parallélisme
13. Bride extérieure
14. Vis de serrage de la lame
15. Protège-lame inférieur
16. Bouton de blocage de la fusée
17. Interrupteur MARCHÉ / ARRÊT
18. Bouton de blocage
19. Poignée principale
20. Graduation de profondeur de coupe
21. Levier de blocage de réglage de la profondeur

MONTAGE

Important: Avant tout montage et tout réglage, toujours débrancher l'outil.

Changer la lame (3, 4)

Avertissement: Toujours débrancher la fiche de la prise secteur, avant d'effectuer tout réglage ou de raccorder des accessoires.

1. Mettre cette scie circulaire sur le côté, sur une surface plane. Il est conseillé de mettre la semelle sur une hauteur de coupe d'une profondeur minimale, car il est ainsi facile de changer la lame.
2. Appuyer sur le bouton de blocage de la fusée **16** en direction du carter moteur, comme l'indique la image 3 et le tenir fermement.

3. Faire tourner les vis serrage de la lame **14** dans le sens inverse des aiguilles d'une montre, à l'aide de la clé fournie avec l'outil.
4. Déposer la vis de serrage de la lame **14** et la bride extérieure **13**.
5. Soulever le protège-lame inférieur **15** en utilisant son levier **1**, puis déposer la lame de la scie.
6. Nettoyer les brides de la lame de scie, puis installer la nouvelle lame de scie sur la fusée, et contre la bride intérieure.
7. S'assurer que les dents de scie et la flèche se trouvant sur la lame, soient dans le même sens que la flèche du protège-lame inférieur.
8. Remettre la bride extérieure et visser la vis de serrage de la lame.
9. S'assurer que la lame de scie puisse tourner librement, en la faisant tourner à la main.

Réglage de la profondeur (5)

1. Desserrer le levier de blocage de réglage de la profondeur **21**.
2. Tenir la semelle bien à plat contre le bord de la pièce, et soulever la scie jusqu'à ce que la lame soit à la bonne profondeur, déterminée par la graduation de profondeur de coupe **20** (aligner la ligne de la graduation).
3. Serrer le levier de blocage de réglage de la profondeur.

Réglage de l'angle (6)

1. Dévisser la vis de blocage de réglage de l'angle **9**.
2. Régler la semelle sur l'angle désiré; entre 0° et 45°. [Cf. Graduation d'angle **8**].
3. Visser la vis de blocage pour réglage de l'angle.

Allumer et éteindre (7)

Avant d'allumer l'interrupteur MARCHE / ARRÊT, vérifier que la lame de la scie soit correctement installée et qu'elle tourne correctement, que la vis de serrage de la lame soit bien vissée.

1. Brancher la prise sur l'alimentation électrique, l'indicateur Marche/Arrêt **5** s'allume jusqu'à ce que l'outil soit débranché de la prise secteur.
2. Pour allumer la scie circulaire, appuyer sur le bouton de blocage **18** et tirer sur la gâchette de l'interrupteur MARCHE/ARRÊT **17**.
3. Lorsque vous relâchez la gâchette **17**, l'outil s'éteint.

Réglage de découpe parallèle (8)

1. Dévisser la vis de blocage du guide de refend **10**.
2. Faire glisser le guide de parallélisme **12** dans les fentes de la semelle pour le mettre sur la largeur désirée.
3. Visser la vis de blocage pour le maintenir en position.
4. S'assurer que le guide de refend repose contre le bois, sur toute sa longueur, pour que les coupes soient toutes parallèles.

Générateur de lignes laser (7)

Avertissements: Ne pas regarder directement le faisceau laser, ne pas diriger délibérément le faisceau sur le personnel, et s'assurer qu'il ne soit pas dirigé vers l'œil d'une personne pendant plus de

0,25 s. Lorsque vous indiquez la coupe sur la pièce à travailler avec la ligne, le générateur de lignes laser peut vous aider à mieux être aligné.

Allumer: Appuyer sur l'interrupteur du générateur laser **4**, le générateur laser **7** fonctionne.

Éteindre: Appuyer de nouveau sur l'interrupteur.

1. Vérifiez que la ligne du laser s'aligne avec la ligne de coupe telle que marquée sur la pièce ouvragée.
2. Ajuster l'angle de coupe au besoin
3. Brancher la machine et allumer le moteur
4. Lorsque la lame atteint sa vitesse maximale (environ 2 secondes), installer la scie sur la pièce à découper.
5. Allumer le générateur laser au niveau de l'orifice du laser grâce à l'interrupteur du générateur laser **4**.
6. Aligner le faisceau avec la marque se trouvant sur la pièce, et faire avancer lentement la scie des deux mains, en faisant suivre la marque au faisceau lumineux rouge.
7. Éteindre le faisceau laser en fin de découpe.

UTILISATION

Coupe d'ordre général

1. Lors de l'allumage, toujours tenir la poignée de la scie d'une main, et la poignée auxiliaire **6** de l'autre main. Ne jamais forcer sur la scie, mais appuyer légèrement et continuer après avoir terminé de couper, pour permettre à la scie de s'arrêter complètement. Lorsque la coupe est interrompue, recommencer à découper en laissant la lame atteindre sa vitesse maximale et en la faisant de nouveau pénétrer lentement.
2. Lorsque la coupe se fait transversalement aux fibres du bois, ces dernières ont tendance à se soulever et à se déchirer; déplacer la scie lentement minimise cet effet.

Découpe intérieure

1. Débrancher la prise de l'alimentation avant d'effectuer tout réglage. Régler la profondeur en fonction de l'épaisseur de la coupe indiquée sur le dessin. Soulever le protège-lame inférieur en utilisant le levier de levage.
2. Une fois la lame légèrement au-dessus du matériau à découper, allumer la scie et laisser la lame atteindre sa pleine vitesse. Abaisser progressivement la lame sur le matériau à couper, en utilisant l'avant de la semelle comme pivot. Lorsque la lame commence à couper, relâcher le protège-lame. Lorsque la semelle repose à plat sur la surface à découper, continuer à couper en allant en avant jusqu'en fin de coupe. Laisser la lame s'arrêter complètement avant de la retirer. Ne jamais tirer la scie en arrière car la lame s'extraira d'un seul coup et un retour de lame s'en suivra. Retourner la scie et terminer la coupe normalement, en sciant en avant. Utiliser une scie sauteuse ou une scie à main pour finir de couper dans les coins, si nécessaire.

Couper de grandes plaques

1. Les grandes plaques ou planches doivent être soutenues pour éviter qu'elles ne plient ou s'affaissent. Si vous essayez de couper sans être de niveau, et sans correctement soutenir la pièce, la lame aura tendance à bloquer, provoquant un retour de lame.
2. Soutenir le panneau ou la planche, près de l'endroit de où s'effectue la coupe. Veiller à régler la lame afin de pouvoir couper le matériau sans découper la table ou l'établi en-dessous. Suggestion: utiliser un tasseau pour soutenir la planche ou le panneau à découper. Si la pièce est trop grande pour l'établi, installer deux tasseaux de bois sur le sol et la pièce dessus.

MAINTENANCE

1. Pour éviter les accidents, toujours débrancher la scie de la prise d'alimentation avant de la nettoyer ou d'effectuer tout entretien. La scie se nettoie bien mieux à l'air comprimé. Toujours porter des lunettes de sécurité lors de l'utilisation d'air comprimé. S'il est impossible d'utiliser de l'air comprimé, utiliser une brosse pour enlever la poussière et les copeaux de scie.
2. Les événements de ventilation du moteur et les interrupteurs, doivent rester propres et exempts de corps étrangers. Ne pas essayer de nettoyer en insérant des objets pointus dans les ouvertures.
3. Ne jamais utiliser d'agents caustiques pour nettoyer les pièces en plastique. Notamment: essence, tétrachlorure de carbone, solvants de nettoyage chlorés, ammoniac et nettoyeurs ménagers contenant de l'ammoniac. N'utiliser aucun d'entre eux pour nettoyer la scie.
4. Faire examiner et / ou remplacer les balais au carbone usés en cas de longues périodes d'inutilisation, par un centre de révision agréé.
5. Les lames s'émoussent même lorsque du bois de type normal coupé. Un indice certain d'une lame usée est le besoin de forcer sur la scie au lieu de la guider tout en découpant. Apporter la lame à un centre de révision pour qu'elle y soit aiguisée.
6. La machine doit demeurer propre à tout moment.
7. En cas de dommages constatés, consulter l'éclaté et la liste des pièces détachées, afin de déterminer exactement la pièce de rechange à commander auprès de notre service Clientèle.
8. Ne nettoyer le boîtier qu'à l'aide d'un chiffon humide. Ne pas utiliser de solvants! Sécher soigneusement ensuite. Afin de conserver la capacité de la pile, nous recommandons de la décharger complètement tous les mois, et de la recharger complètement. Ne stocker que lorsque la pile est complètement chargée, et recharger la pile de temps en temps si elle est stockée pendant une longue période. Conserver dans un endroit sec et à l'abri du gel. La température ambiante ne doit pas dépasser 40°C.
9. Si le fil d'alimentation de cet outil électrique est endommagé, il doit être remplacé par un fil similaire qu'il est possible de se procurer auprès du centre de révision ou d'un technicien qualifié.
10. Pour des raisons de sécurité, la machine s'arrête automatiquement si les balais au carbone sont si

usés qu'ils ne touchent plus le moteur. Dans ce cas, les balais au carbone doivent être remplacés par une paire de balais au carbone similaire, à se procurer auprès de la société de après-vente ou d'un professionnel qualifié.

ATTENTION: Les balais doivent toujours être remplacés par paires.

ATTENTION: Débrancher toujours la machine de l'alimentation électrique avant de retirer les couvercles électriques.

PROTECTION ENVIRONNEMENTALE

Ne pas jeter les appareils électriques au même endroit que les déchets municipaux non triés. Les jeter dans d'autres installations de recueil. Contacter le service gouvernemental local pour obtenir des informations sur les systèmes de recueil à disposition du public. Si des appareils électriques sont jetés à la décharge, des substances dangereuses peuvent s'infiltrer dans les eaux souterraines, et s'infiltrer dans la chaîne alimentaire, nuisant ainsi à votre santé.

GARANTIE

Ce produit est garanti conformément aux réglementations légales / nationales, en vigueur à compter de la date d'achat par le premier utilisateur. Les dommages attribuables à une usure normale, une surcharge ou une mauvaise manipulation seront exclus de la garantie. En cas de réclamation, veuillez envoyer la machine, complètement assemblée, à votre revendeur ou au centre de service officiel.

Italiano

AVVERTENZE GENERALI DI PERICOLO PER ELETTROUTENSILI

Leggere tutte le avvertenze di pericolo e le istruzioni operative. In caso di mancato rispetto delle avvertenze di pericolo e delle istruzioni operative si potrà creare il pericolo di scosse elettriche, incendi e/o incidenti gravi.

Conservare tutte le avvertenze di pericolo e le istruzioni operative per ogni esigenza futura..

Il termine «elettroutensile» utilizzato nelle avvertenze di pericolo si riferisce ad utensili elettrici alimentati dalla rete (con linea di allacciamento) ed ad utensili elettrici alimentati a batteria (senza linea di allacciamento).

Sécurité de la zone de travail

- ▶ Tenere la postazione di lavoro sempre pulita e ben illuminata. Il disordine oppure zone della postazione di lavoro non illuminate possono essere causa di incidenti.
- ▶ Evitare d'impiegare l'elettroutensile in ambienti soggetti al rischio di esplosioni nei quali si abbia presenza di liquidi, gas o polveri infiammabili. Gli elettroutensili producono scintille che possono far infiammare la polvere o i gas.
- ▶ Tenere lontani i bambini ed altre persone durante l'impiego dell'elettroutensile. Eventuali distrazioni potranno comportare la perdita del controllo sull'elettroutensile.

Sicurezza elettrica

- ▶ La spina di allacciamento alla rete dell'elettroutensile deve essere adatta alla presa. Evitare assolutamente di apportare modifiche alla spina. Non impiegare spine adattatrici assieme ad elettroutensili dotati di collegamento a terra. Le spine non modificate e le prese adatte allo scopo riducono il rischio di scosse elettriche.
- ▶ Evitare il contatto fisico con superfici collegate a terra, come tubi, riscaldamenti, cucine elettriche e frigoriferi. Sussiste un maggior rischio di scosse elettriche nel momento in cui il corpo è messo a massa.
- ▶ Custodire l'elettroutensile al riparo dalla pioggia o dall'umidità. La penetrazione dell'acqua in un elettroutensile aumenta il rischio di una scossa elettrica.
- ▶ Non usare il cavo per scopi diversi da quelli previsti ed, in particolare, non usarlo per trasportare o per appendere l'elettroutensile oppure per estrarre la spina dalla presa di corrente. Non avvicinare il cavo a fonti di calore, olio, spigoli taglienti e neppure a parti della macchina che siano in movimento. I cavi danneggiati o aggrovigliati aumentano il rischio d'insorgenza di scosse elettriche.
- ▶ Qualora si voglia usare l'elettroutensile all'aperto, impiegare solo ed esclusivamente cavi di prolunga che siano adatti per l'impiego all'esterno. L'uso di un cavo di prolunga omologato per l'impiego all'esterno riduce il rischio d'insorgenza di scosse elettriche.
- ▶ Qualora non fosse possibile evitare di utilizzare

l'elettroutensile in ambiente umido, utilizzare un interruttore di sicurezza. L'uso di un interruttore di sicurezza riduce il rischio di una scossa elettrica.

Sicurezza delle persone

- ▶ È importante concentrarsi su ciò che si sta facendo e maneggiare con giudizio l'elettroutensile durante le operazioni di lavoro. Non utilizzare mai l'elettroutensile in caso di stanchezza oppure quando ci si trovi sotto l'effetto di droghe, bevande alcoliche e medicinali. Un attimo di distrazione durante l'uso dell'elettroutensile può essere causa di gravi incidenti.
- ▶ Indossare sempre equipaggiamento protettivo individuale nonché occhiali protettivi. Indossando abbigliamento di protezione personale come la maschera per polveri, scarpe di sicurezza che non scivolino, elmetto di protezione oppure protezione acustica a seconda del tipo e dell'applicazione dell'elettroutensile, si riduce il rischio di incidenti.
- ▶ Evitare l'accensione involontaria dell'elettroutensile. Prima di collegarlo alla rete di alimentazione elettrica e/o alla batteria ricaricabile, prima di prenderlo oppure prima di iniziare a trasportarlo, assicurarsi che l'elettroutensile sia spento. Tenendo il dito sopra l'interruttore mentre si trasporta l'elettroutensile oppure collegandolo all'alimentazione di corrente con l'interruttore inserito, si vengono a creare situazioni pericolose in cui possono verificarsi seri incidenti.
- ▶ Prima di accendere l'elettroutensile togliere gli atri pezzi di regolazione o la chiave inglese. Un accessorio oppure una chiave che si trovi in una parte rotante della macchina può provocare seri incidenti.
- ▶ Evitare una posizione anomala del corpo. Avere cura di mettersi in posizione sicura e di mantenere l'equilibrio in ogni situazione. In questo modo è possibile controllare meglio l'elettroutensile in caso di situazioni inaspettate.
- ▶ Indossare vestiti adeguati. Non indossare vestiti larghi, né portare bracciali e catenine. Tenere i capelli, i vestiti ed i guanti lontani da pezzi in movimento. Vestiti lenti, gioielli o capelli lunghi potranno impigliarsi in pezzi in movimento.
- ▶ In caso fosse previsto il montaggio di dispositivi di aspirazione della polvere e di raccolta, assicurarsi che gli stessi siano collegati e che vengano utilizzati correttamente. L'utilizzo di un'aspirazione polvere può ridurre lo svilupparsi di situazioni pericolose dovute alla polvere.

Trattamento accurato ed uso corretto degli elettroutensili

- ▶ Non sottoporre la macchina a sovraccarico. Per il proprio lavoro, utilizzare esclusivamente l'elettroutensile esplicitamente previsto per il caso. Con un elettroutensile adatto si lavora in modo migliore e più sicuro nell'ambito della sua potenza di prestazione.
- ▶ Non utilizzare mai elettroutensili con interruttori difettosi. Un elettroutensile con l'interruttore rotto è pericoloso e deve essere aggiustato.
- ▶ Prima di procedere ad operazioni di regolazione sulla macchina, prima di sostituire parti accessorie oppure prima di posare la macchina al termine di

un lavoro, estrarre sempre la spina dalla presa della corrente e/o estrarre la batteria ricaricabile. Tale precauzione eviterà che l'elettrotensile possa essere messo in funzione involontariamente.

- ▶ Quando gli elettrotensili non vengono utilizzati, conservarli al di fuori del raggio di accesso di bambini. Non fare usare l'elettrotensile a persone che non siano abituate ad usarlo o che non abbiano letto le presenti istruzioni. Gli elettrotensili sono macchine pericolose quando vengono utilizzati da persone non dotate di sufficiente esperienza.
- ▶ Eseguire la manutenzione dell'elettrotensile operando con la dovuta diligenza. Accertarsi che le parti mobili della macchina funzionino perfettamente, che non s'incepino e che non ci siano pezzi rotti o danneggiati al punto da limitare la funzione dell'elettrotensile stesso. Prima di iniziare l'impiego, far riparare le parti danneggiate. Numerosi incidenti vengono causati da elettrotensili la cui manutenzione è stata effettuata poco accuratamente.
- ▶ Mantenere gli utensili da taglio sempre affilati e puliti. Gli utensili da taglio curati con particolare attenzione e con taglienti affilati s'inceppano meno frequentemente e sono più facili da condurre.
- ▶ Utilizzare l'elettrotensile, gli accessori opzionali, gli utensili per applicazioni specifiche ecc., sempre attenendosi alle presenti istruzioni. Così facendo, tenere sempre presente le condizioni di lavoro e le operazioni da eseguire. L'impiego di elettrotensili per usi diversi da quelli consentiti potrà dar luogo a situazioni di pericolo.

Assistenza

Fare riparare l'elettrotensile solo ed esclusivamente da personale specializzato e solo impiegando pezzi di ricambio originali. In tale maniera potrà essere salvaguardata la sicurezza dell'elettrotensile.

INDICAZIONI DI SICUREZZA PER SEGHE CIRCOLARI

Procedure di taglio

- ▶ **PERICOLO:** Mai avvicinare le mani alla zona operativa e neppure alla lama di taglio. Utilizzare la seconda mano per afferrare l'impugnatura supplementare oppure la carcassa del motore. Tenendo la sega con entrambe le mani si evita che la lama di taglio possa diventare un pericolo per le mani.
- ▶ Mai afferrare con le mani la parte inferiore del pezzo in lavorazione. Nella zona al di sotto del pezzo in lavorazione la calotta di protezione non presenta alcuna protezione contro la lama di taglio.
- ▶ Adattare la profondità di taglio allo spessore del pezzo in lavorazione. Nella parte inferiore del pezzo in lavorazione la lama deve uscire in misura inferiore all'altezza del dente.
- ▶ Non tenere mai con le mani il pezzo in lavorazione che si intende tagliare e non appoggiarlo neppure sulla gamba. Assicurare il pezzo in lavorazione su un supporto stabile. Per ridurre al minimo possibile il pericolo di un contatto con il corpo, la possibilità di un blocco della lama di taglio oppure la perdita del controllo, è importante fissare bene il pezzo in lavorazione.
- ▶ Afferrare l'elettrotensile esclusivamente dalle su-

perfici isolate dell'impugnatura qualora venissero effettuati lavori durante i quali l'utensile da taglio potrebbe venire a contatto con cavi elettrici nascosti oppure con il cavo di alimentazione dell'elettrotensile stesso. Il contatto con un cavo sotto tensione trasmette la tensione anche alle parti metalliche dell'elettrotensile, causando una scossa elettrica.

- ▶ In caso di taglio longitudinale utilizzare sempre una battuta oppure una guida angolare dritta. In questo modo è possibile migliorare la precisione del taglio riducendo il pericolo che la lama di taglio possa incepparsi.
- ▶ Utilizzare sempre lame per seghe che abbiano la misura corretta ed il foro di montaggio adatto (p. es. a rombo oppure rotondo). In caso di lame per sega inadatte ai relativi pezzi di montaggio, la rotazione non sarà perfettamente circolare e si crea il pericolo di una perdita di controllo.
- ▶ Mai utilizzare rondelle oppure viti per lama di taglio che non dovessero essere in perfetto stato o che non dovessero essere adatte. Le rondelle e le viti per lama di taglio sono appositamente previste per la Vostra sega e sono state realizzate per raggiungere ottimali prestazioni e massima sicurezza di utilizzo.
- ▶ **Contraccolpo - Cause e relative indicazioni di sicurezza**
 - Un contraccolpo è l'improvvisa reazione in seguito ad agganciamento, blocco oppure allineamento errato della lama di taglio. Lo stesso può causare che una sega incontrollata si sollevi e, uscendo dal pezzo in lavorazione, si muova in direzione dell'operatore;
 - Se la lama di taglio rimane agganciata oppure bloccata nella fessura di taglio che si chiude, la stessa si blocca e la forza motore spinge indietro la sega in direzione dell'operatore;
 - Se la lama di taglio viene allineata ruotata oppure in modo non corretto nel taglio, i denti del bordo posteriore della lama di taglio rimangono agganciati nella superficie del pezzo in lavorazione causando la fuoriuscita della lama di taglio della fessura di taglio e la sega si muove improvvisamente indietro in direzione dell'operatore.
- Un contraccolpo è la conseguenza di un uso errato oppure non corretto della sega. Lo stesso può essere evitato prendendo misure precauzionali come descritto di seguito.
- ▶ Tenere la sega ben ferma afferrandola con entrambe le mani e portare le braccia in una posizione che Vi permetta di controllare bene le forze di contraccolpi. Tenere sempre una posizione laterale rispetto alla lama di taglio e mai mettere la lama di taglio in una linea con il Vostro corpo. In caso di un contraccolpo la lama di taglio può balzare all'indietro; comunque, prendendo misure precauzionali adatte l'operatore può essere in grado di controllare le forze di contraccolpo.
- ▶ Qualora la lama di taglio dovesse bloccarsi oppure dovesse essere interrotto il lavoro, spegnere la sega e tenerla ferma in posizione nel pezzo in lavorazione fino a quando la lama non si sarà fermata completamente. Non tentare mai di togliere la sega dal pezzo in lavorazione e neppure tirarla all'indietro fintanto che la lama di taglio si muove. In caso

contrario si crea il pericolo di un contraccolpo. Rilevare ed eliminare la causa per il blocco della lama di taglio.

- ▶ Volendo avviare nuovamente una sega che ancora si trova nel pezzo in lavorazione, centrare la lama nella fessura di taglio ed accertarsi che la dentatura della sega non sia rimasta agganciata nel pezzo in lavorazione. Una lama di taglio inceppata può balzare fuori dal pezzo in lavorazione oppure provocare un contraccolpo nel momento in cui si avvia nuovamente la sega.
- ▶ Per eliminare il rischio di un contraccolpo dovuto al blocco di una lama di taglio, assicurare bene pannelli di dimensioni maggiori. Pannelli di dimensioni maggiori possono piegarsi sotto il peso proprio. In caso di pannelli è necessario munirli di supporti adatti su entrambi i lati, sia in vicinanza della fessura di taglio che a margine.
- ▶ Non utilizzare mai lame per seghe che non siano più affilate oppure il cui stato generale non dovesse essere più perfetto. Lame per seghe non più affilate oppure deformate implicano un maggiore attrito nella fessura di taglio aumentando il pericolo di blocchi e di contraccolpi della lama di taglio.
- ▶ Prima di eseguire l'operazione di taglio, determinare la profondità e l'angolatura del taglio. Se durante l'operazione di taglio si modificano le registrazioni è possibile che la lama di taglio si blocchi e che si abbia un contraccolpo.
- ▶ Procedere con particolare cautela effettuando tagli in pareti esistenti oppure in altri settori che non possono essere controllati. Durante il taglio la lama di taglio che penetra in oggetti nascosti può bloccarsi e causare un contraccolpo.

Funzione della calotta di protezione inferiore

- ▶ Prima di ogni intervento operativo accertarsi che la calotta di protezione chiuda perfettamente. Non utilizzare la sega in caso non fosse possibile muovere liberamente la calotta di protezione inferiore e non potesse essere chiusa immediatamente. Mai bloccare oppure legare la calotta di protezione inferiore in posizione aperta. Se la sega dovesse accidentalmente cadere a terra è possibile che la calotta di protezione inferiore subisca una deformazione. Operando con la leva di ritorno, aprire la calotta di protezione ed accertarsi che possa muoversi liberamente in ogni angolazione e profondità di taglio senza toccare né lama né nessun altro pezzo.
- ▶ Controllare il funzionamento della molla per la calotta di protezione inferiore. Qualora la calotta di protezione e la molla non dovessero funzionare correttamente, sottoporre la lama di taglio ad un servizio di manutenzione prima di utilizzarla. Componenti danneggiati, depositi di sporcizia appiccicosi oppure accumuli di trucioli comportano una riduzione della funzionalità della calotta inferiore di protezione.
- ▶ Aprire manualmente la cuffia di protezione inferiore soltanto in caso di tagli particolari, ad esempio «tagli ad immersione o dal pieno». Aprire la cuffia di protezione inferiore con la leva di retrazione e rilasciare la leva stessa non appena la lama si inserisca nel pezzo in lavorazione. Per tutte le altre operazio-

ni di taglio, la cuffia di protezione inferiore dovrà operare automaticamente.

- ▶ Non poggiare la sega sul banco di lavoro oppure sul pavimento se la calotta inferiore di protezione non copre completamente la lama di taglio. Una lama di taglio non protetta ed ancora in fase di arresto sposta la sega in senso contrario a quello della direzione di taglio e taglia tutto ciò che incontra. Tenere quindi sempre in considerazione la fase di arresto della sega.

DATI TECNICI:

Codice prodotto		41 344	41 345
Modello		CS 65/1500 PLUS	CS 85/2000 PLUS
Voltaggio	V	230-240	230-240
Frequenza	Hz	50	50
Alimentazione	W	1.500	2.000
Velocità a vuoto	min ⁻¹	5.800	5.000
Dimensioni della lama	mm	Ø185	Ø235
Profondità max. di taglio a 90°	mm	65	85
Profondità max. di taglio a 45°	mm	43	56
Peso (senza accessori) approssimativo.	kg	4,4	6,3

Classe di sicurezza  II

Valori di emissione acustica rilevati conformemente a EN 62841-1, EN 62841-2-5

Il livello di rumore stimato A dell'apparecchio ammonta normalmente a

Livello di pressione acustica	dB(A)	96,6	93,4
Livello di potenza sonora	dB(A)	107,6	104,4
Incertezza della misura K	dB	3	3

Usare la protezione acustica!

Valori complessivi di oscillazione a_h (somma vettoriale delle tre direzioni) e incertezza della misura K misurati conformemente alla norma EN 62841-1, EN 62841-2-5

Valori complessivi di oscillazione:

a_h	m/s ²	3,37	4,73
K	m/s ²	1,5	1,5

Descrizione del funzionamento:

1. Leva della protezione inferiore
2. Apertura per estrazione polveri
3. Lama (solo modelli specifici)
4. Interruttore del generatore laser (solo modelli specifici)
5. Indicatore di accensione (solo modelli specifici)
6. Impugnatura ausiliaria (solo modelli specifici)
7. Generatore laser (solo modelli specifici)
8. Regolatore della sega
9. Manopola di bloccaggio per la regolazione dell'angolazione
10. Manopola di bloccaggio per guida parallela
11. Piastra di base
12. Guida parallela
13. Flangia esterna
14. Bullone blocca-lama
15. Calotta di protezione inferiore
16. Pulsante di blocco del mandrino
17. Interruttore di avvio/arresto
18. Pulsante di sblocco
19. Impugnatura principale
20. Regolatore di profondità del taglio
21. Leva di bloccaggio per la regolazione della profondità

MONTAGGIO

Importante: Prima di eseguire qualsiasi montaggio o regolazione, scollegare sempre l'apparecchio dalla rete elettrica.

Sostituzione della lama (3, 4)

Avviso: Scollegare sempre l'apparecchio dalla presa di corrente prima di eseguire qualsiasi regolazione o di montare qualsiasi accessorio.

1. Porre la sega circolare su un lato su una superficie piana. È consigliabile spostare la piastra di base verso il basso per diminuire la profondità di taglio, per una maggiore facilità di cambio della lama.
2. Tenere premuto il pulsante di blocco del mandrino **16** verso l'alloggiamento del motore, come mostrato dalla freccia in figura 3.
3. Ruotare in senso antiorario il bullone blocca-lama **14** usando la chiave in dotazione.
4. Rimuovere il bullone blocca-lama **14** e la flangia esterna **13**.
5. Sollevare la calotta di protezione inferiore **15** usando l'apposita leva **1** ed estrarre la lama.
6. Pulire le flange della lama e montare la nuova lama sul mandrino di uscita e contro la flangia interna.
7. Assicurarsi che la direzione dei denti e della freccia sulla lama coincida con la direzione della freccia sulla calotta di protezione inferiore.
8. Riporre la flangia esterna e serrare il bullone blocca-lama.
9. Assicurarsi che la lama giri liberamente facendo la girare con la mano.

Regolazione della profondità (5)

1. Allentare la leva di bloccaggio per la regolazione della profondità **21**.
2. Tenere la piastra di base aderente al bordo del pezzo di lavorazione e sollevare il corpo della

sega fino a portare la lama alla giusta profondità, determinata dal regolatore di profondità **20** (allineare la scala graduata).

3. Serrare la leva di bloccaggio per la regolazione della profondità.

Regolazione dell'angolazione (6)

1. Allentare la manopola di bloccaggio per la regolazione dell'angolazione **9**.
2. Regolare la ganascia secondo l'angolazione desiderata, tra 0° e 45°. [cfr. regolatore della sega **8**].
3. Serrare la manopola di bloccaggio per la regolazione dell'angolazione.

Accensione e spegnimento (7)

Prima di intervenire sul pulsante di avvio/arresto, verificare che la lama sia montata correttamente, che giri uniformemente e che la relativa vite di bloccaggio sia ben stretta.

1. Collegare la spina a una presa di corrente. L'indicatore di accensione **5** rimarrà acceso fino a che l'apparecchio non è disconnesso dalla rete.
2. Per accendere la sega circolare, premere il pulsante di sblocco **18** e tirare l'interruttore di avvio/arresto **17**.
3. Rilasciando l'interruttore **17**, l'apparecchio si spegne.

Regolazione del taglio parallelo (8)

1. Allentare la manopola di bloccaggio della guida dritta **10**.
2. Far scorrere la guida parallela **12** lungo le sedi nella ganascia fino alla larghezza desiderata.
3. Stringere il bullone di bloccaggio per fissare la posizione.
4. Per garantire tagli paralleli omogenei, assicurarsi che la guida dritta sia aderente al legno per tutta la sua lunghezza.

Generatore del raggio laser (7)

Avvisi: Non fissare direttamente il fascio laser, non puntare intenzionalmente il fascio contro persone e non puntare il fascio sugli occhi per più di 0.25 secondi. Quando si esegue la linea di taglio su un pezzo in lavorazione, il generatore di raggio laser può contribuire a ottenere un allineamento migliore.

Accensione: Premere l'interruttore del generatore laser **4**. Il generatore laser **7** è attivo.

Spegnimento: Premere nuovamente l'interruttore.

1. Verificare che il laser sia allineato alla linea di taglio marcata sul pezzo da lavorare.
2. Regolare l'angolazione di taglio desiderata
3. Collegare la macchina alla rete elettrica e avviare il motore
4. Quando la macchina ha raggiunto la piena velocità (circa 2 secondi), posizionare la sega sul pezzo in lavorazione.
5. Avviare il generatore laser dalla sua apertura aperture mediante apposito l'interruttore **4**.
6. Allineare il fascio con il segno sul pezzo di lavorazione e spingere lentamente la sega in avanti con entrambe le mani, mantenendo il fascio rosso sul segno.
7. Dopo aver completato il taglio, disattivare il fascio laser.

USO

Taglio generico

1. All'avvio, tenere sempre una mano sull'impugnatura della sega e l'altra mano sull'impugnatura ausiliaria **6**. Non forzare mai la sega, ma esercitare sempre una pressione leggera e costante. Dopo aver completato il taglio, attendere che l'apparecchio si sia fermato del tutto. In caso di interruzione del taglio, per riprendere l'operazione, attendere che la lama raggiunga la piena velocità e rientrare lentamente nel taglio già praticato.
2. In caso di taglio attraverso la venatura, le fibre del legno tendono a sollevarsi e sfaldarsi. Un movimento lento della sega minimizza questo effetto.

Taglio a tasca

1. Prima di eseguire qualsiasi regolazione, scollegare l'apparecchio dalla presa elettrica. Impostare la profondità in base allo spessore della linea di taglio. Sollevare la calotta di protezione mediante l'apposita leva.
2. Con la lama appena sopra il materiale da tagliare, avviare la sega e attendere che la lama raggiunga la piena velocità. Abbassare lentamente la lama sul materiale da tagliare usando come perno l'estremità anteriore della ganascia. Quando la lama inizia a tagliare, rilasciare la calotta di protezione inferiore. Quando il pattino è aderente alla superficie di taglio, procedere con il taglio in avanti fino alla fine della linea di taglio. Attendere che la lama si arresti completamente prima di rimuoverla dal taglio. Non tirare la sega all'indietro perché la lama uscirebbe dal taglio causando un rinculo. Girare la sega e terminare il taglio normalmente in avanti. Usare un seghetto o una sega manuale per rifinire gli angoli, se necessario.

Taglio di pannelli di grandi dimensioni

1. I pannelli o tavole di grandi dimensioni richiedono un supporto per evitare pieghe o affossamenti. In caso di taglio senza livellamento e sostegno adeguato del pezzo in lavorazione, la lama tenderà a incastrarsi, causando il rinculo.
2. Sostenere il pannello o la tavola in prossimità del taglio da eseguire. Assicurarsi di impostare la lama in modo da poter tagliare il materiale senza tagliare il supporto o il piano di lavoro. Suggerimento: usare assi di legno da 5x10 cm per sostenere la tavola o il pannello da tagliare. Se il pezzo è troppo grande per il piano di lavoro, adagiarlo sul pavimento usando le assi come supporto.

MANUTENZIONE

1. Per evitare incidenti, scollegare sempre la sega dalla presa di corrente prima di svolgere operazioni di pulizia o di manutenzione. Il modo più efficiente di pulire la sega è con aria compressa. Indossare sempre occhiali protettivi quando si usa aria compressa. In assenza di aria compressa, è possibile usare una spazzola per rimuovere polvere e trucioli dalla sega.
2. Le aperture di areazione del motore e i comandi vanno tenuti puliti e liberi da corpi estranei. Non tentare di pulire la sega inserendo oggetti appuntiti nelle aperture.

3. Non usare sostanze caustiche per pulire le parti in plastica. Evitare quindi: benzina, tetracloruro di carbonio, detersivi clorurati, ammoniaci e detersivi domestici contenenti ammoniaci. Non usare queste sostanze per pulire la sega.
4. Rivolgersi a un centro assistenza autorizzato per il controllo e/o la sostituzione delle spazzole di carbone in caso di prolungato inutilizzo.
5. Le lame si usurano anche tagliando legno normale. Un chiaro segno della lama usurata è la necessità di forzare la lama in avanti invece di guidarla durante il taglio. Rivolgersi a un centro di assistenza per l'affilatura.
6. Mantenere l'apparecchio sempre pulito.
7. Se si riscontrano danni, fare riferimento al diagramma esploso e all'elenco delle parti per stabilire esattamente quale parte deve essere sostituita e quindi ordinata al nostro servizio clienti.
8. Pulire l'alloggiamento solo con un panno umido. Non usare solventi! Asciugare scrupolosamente l'apparecchio dopo la pulizia. Al fine di mantenere la capacità della batteria, consigliamo di far scaricare e ricaricare completamente la batteria ogni mese. Conservare l'apparecchio solo con la batteria completamente carica e, se lasciato inattivo per molto tempo, ripristinare il livello di carica della batteria di tanto in tanto. Conservare in un luogo asciutto e al riparo dal gelo; la temperatura ambiente non deve superare i 40°C.
9. In caso di danneggiamento del cavo di alimentazione dell'apparecchio, sostituirlo con un cavo simile, disponibile presso il servizio tecnico o un professionista autorizzato.
10. Per motivi di sicurezza, quando le spazzole di carbone sono talmente usurate da non avere più contatto con il motore, la macchina si spegne automaticamente. In questo caso, le spazzole di carbone devono essere sostituite con un paio di spazzole simili, disponibili presso il servizio post-vendita o un professionista qualificato.

ATTENZIONE: Le spazzole devono essere sempre sostituite entrambe allo stesso tempo.

ATTENZIONE: Prima di rimuovere qualsiasi coperchio elettrico, scollegare sempre l'apparecchio dalla corrente.

PROTEZIONE AMBIENTALE

Non smaltire gli apparecchi elettrici come rifiuti urbani non differenziati, utilizzare strutture di raccolta separata. Contattare l'autorità locale per informazioni relative ai sistemi di raccolta disponibili. Se gli apparecchi elettrici sono smaltiti in discariche, le sostanze nocive pericolose possono penetrare nella falda acquifera e entrare nella catena alimentare, con grave rischio per la salute.

GARANZIA

Questo prodotto è garantito in conformità con le normative legali / specifiche del paese, in vigore dalla data di acquisto da parte del primo utente. I danni imputabili alla normale usura, sovraccarico o uso improprio saranno esclusi dalla garanzia. In caso di reclamo, inviare la macchina, completamente assemblata, al proprio rivenditore o al centro di assistenza ufficiale.

Ελληνικά

ΓΕΝΙΚΕΣ ΟΔΗΓΙΕΣ ΑΣΦΑΛΕΙΑΣ ΗΛΕΚΤΡΙΚΟΥ ΕΡΓΑΛΕΙΟΥ

Διαβάστε όλες τις υποδείξεις ασφαλείας και τις οδηγίες. Αμέλειες κατά την τήρηση των υποδείξεων ασφαλείας και των οδηγιών μπορεί να προκαλέσουν ηλεκτροπληξία, πυρκαγιά ή/και σοβαρούς τραυματισμούς.

Φυλάξτε όλες τις προειδοποιητικές υποδείξεις και οδηγίες για κάθε μελλοντική χρήση. Ο ορισμός «Ηλεκτρικό εργαλείο» που χρησιμοποιείται στις προειδοποιητικές υποδείξεις αναφέρεται σε ηλεκτρικά εργαλεία που τροφοδοτούνται από το ηλεκτρικό δίκτυο (με ηλεκτρικό καλώδιο) καθώς και σε ηλεκτρικά εργαλεία που τροφοδοτούνται από μπαταρία (χωρίς ηλεκτρικό καλώδιο).

Ασφάλεια στο χώρο εργασίας

- ▶ Διατηρείτε τον τομέα που εργάζεστε καθαρό και καλά φωτισμένο. Αταξία ή σκοτεινές περιοχές εργασίας μπορεί να οδηγήσουν σε ατυχήματα.
- ▶ Μην εργάζεστε με το ηλεκτρικό εργαλείο σε περιβάλλον όπου υπάρχει κίνδυνος έκρηξης, στο οποίο υπάρχουν εύφλεκτα υγρά, αέρια ή σκόνης. Τα ηλεκτρικά εργαλεία δημιουργούν σπινθηρισμό ο οποίος μπορεί να αναφλέξει τη σκόνη ή τις αναθυμιάσεις.
- ▶ Όταν χρησιμοποιείτε το ηλεκτρικό εργαλείο κρατάτε μακριά απ' αυτό τα παιδιά κι άλλα τυχόν παρευρισκόμενα άτομα. Σε περίπτωση απόσπασης της προσοχής σας μπορεί να χάσετε τον έλεγχο του μηχανήματος.

Ηλεκτρική ασφάλεια

- ▶ Το φως του ηλεκτρικού εργαλείου πρέπει να ταιριάζει στην πρίζα. Δεν επιτρέπεται με κανέναν τρόπο η μετατροπή του φως. Μη χρησιμοποιείτε προσαρμοστικά φως σε συνδυασμό με γειωμένα ηλεκτρικά εργαλεία. Αμειψαποίγητα φως και κατάλληλες πρίζες μειώνουν τον κίνδυνο ηλεκτροπληξίας.
- ▶ Αποφύγετε την επαφή του σώματός σας με γειωμένες επιφάνειες όπως σωλήνες, θερμαντικά σώματα (καλοριφέρ), κουζίνες ή ψυγεία. Όταν το σώμα σας είναι γειωμένο αυξάνεται ο κίνδυνος ηλεκτροπληξίας.
- ▶ Μην εκθέτετε τα μηχανήματα στη βροχή ή την υγρασία. Η διείσδυση νερού σ' ένα ηλεκτρικό εργαλείο αυξάνει τον κίνδυνο ηλεκτροπληξίας.
- ▶ Μη χρησιμοποιείτε το ηλεκτρικό καλώδιο για να μεταφέρετε ή να αναρτήσετε το ηλεκτρικό εργαλείο, ή για να βγάλετε το φως από την πρίζα. Κρατάτε το ηλεκτρικό καλώδιο μακριά από υπερβολικές θερμοκρασίες, κοφτερές ακμές και/ή από κινητά εξαρτήματα. Τυχόν χαλασμένα ή περιπλεγμένα ηλεκτρικά καλώδια αυξάνουν τον κίνδυνο ηλεκτροπληξίας.
- ▶ Όταν εργάζεστε μ' ένα ηλεκτρικό εργαλείο στο ύπαιθρο να χρησιμοποιείτε καλώδια επιμήκυνσης (μπαλαντέζες) που είναι κατάλληλα και για χρήση στο ύπαιθρο. Η χρήση καλωδίων επιμήκυνσης κατάλληλων για υπαίθριους χώρους ελαττώνει τον κίνδυνο ηλεκτροπληξίας.
- ▶ Όταν η χρήση του ηλεκτρικού εργαλείου σε υγρό περιβάλλον είναι αναπόφευκτη, τότε χρησιμοποιήστε έναν προστατευτικό διακόπτη διαρροής (διακόπτη FI/RCD). Η χρήση ενός προστατευτικού διακόπτη διαρροής ελαττώνει τον κίνδυνο ηλεκτροπληξίας.

Ασφάλεια προσώπων

- ▶ Να είστε πάντοτε προσεκτικός/προσεκτική, να δίνετε προσοχή στην εργασία που κάνετε και να χειρίζεστε το μηχανήμα με περίσκεψη. Μη χρησιμοποιήσετε ένα ηλεκτρικό εργαλείο όταν είστε κουρασμένος/κουρασμένη ή όταν βρίσκεστε υπό την επίδραση ναρκωτικών, οινοπνεύματος ή φαρμάκων. Μια στιγμιαία απροσεξία κατά το χειρισμό του ηλεκτρικού εργαλείου μπορεί να οδηγήσει σε σοβαρούς τραυματισμούς.
- ▶ Φοράτε έναν κατάλληλο για σας προστατευτικό εξοπλισμό και πάντοτε προστατευτικά γυαλιά. Όταν φοράτε έναν κατάλληλο προστατευτικό εξοπλισμό όπως μάσκα προστασίας από σκόνη, αντιολισθητικά υποδήματα ασφαλείας, προστατευτικό κράνος ή ωταπίδες, ανάλογα με το εκάστοτε εργαλείο και τη χρήση του, ελαττώνεται ο κίνδυνος τραυματισμών.
- ▶ Αποφύγετε την αθέλητη εκκίνηση. Βεβαιωθείτε ότι το ηλεκτρικό εργαλείο έχει αποσυντεθεί πριν το συνδέσετε με το ηλεκτρικό δίκτυο ή με την μπαταρία καθώς και πριν το παραλάβετε ή το μεταφέρετε. Όταν μεταφέρετε το ηλεκτρικό εργαλείο έχοντας το δάκτυλό σας στο διακόπτη ή όταν συνδέσετε το μηχανήμα με την πηγή ρεύματος όταν αυτό είναι ακόμη στη θέση ON, τότε δημιουργείται κίνδυνος τραυματισμών.
- ▶ Αφαιρείτε από τα ηλεκτρικά εργαλεία τυχόν συναρμολογημένα εργαλεία ρύθμισης ή κλειδιά πριν θέσετε το ηλεκτρικό εργαλείο σε λειτουργία. Ένα εργαλείο ή κλειδί συναρμολογημένο σ' ένα περιστρεφόμενο τμήμα ενός μηχανήματος μπορεί να οδηγήσει σε τραυματισμούς.
- ▶ Μην υπερεκτιμάτε τον εαυτό σας. Φροντίζετε για την ασφαλή στάση του σώματός σας και διατηρείτε πάντοτε την ισορροπία σας. Έτσι μπορείτε να ελέγξετε καλύτερα το μηχανήμα σε περιπτώσεις απροσδόκητων περιστάσεων.
- ▶ Φοράτε κατάλληλα ενδύματα. Μη φοράτε φαρδιά ρούχα ή κοσμήματα. Κρατάτε τα μαλλιά σας, τα ρούχα σας και τα γάντια σας μακριά από κινούμενα εξαρτήματα. Χαλαρή ενδυμασία, κοσμήματα ή μακριά μαλλιά μπορεί να εμπλακούν στα κινούμενα εξαρτήματα.
- ▶ Όταν υπάρχει η δυνατότητα συναρμολόγησης διατάξεων αναρρόφησης ή συλλογής σκόνης, βεβαιωθείτε ότι αυτές είναι συνδεδεμένες με το μηχανήμα καθώς και ότι χρησιμοποιούνται σωστά. Η χρήση μιας αναρρόφησης σκόνης μπορεί να ελαττώσει τον κίνδυνο που προκαλείται από τη σκόνη.

Επιμελής χειρισμός και χρήση ηλεκτρικών εργαλείων

- ▶ Μην υπερφορτώνετε το μηχανήμα. Χρησιμοποιείτε για την εκάστοτε εργασία το ηλεκτρικό εργαλείο που προορίζεται γι' αυτήν. Με το κατάλληλο ηλεκτρικό εργαλείο εργάζεστε καλύτερα και ασφαλέστερα στην αναφερόμενη περιοχή ισχύος.
- ▶ Μη χρησιμοποιήσετε ποτέ ένα μηχανήμα που έχει χαλασμένο διακόπτη. Ένα ηλεκτρικό εργαλείο που δεν μπορείτε πλέον να το θέσετε σε λειτουργία και/ή εκτός λειτουργίας είναι επικίνδυνο και πρέπει να επισκευαστεί.
- ▶ Βγάλτε το φως από την πρίζα και/ή αφαιρέστε την μπαταρία πριν διεξάγετε στο μηχανήμα μια οποιαδήποτε εργασία ρύθμισης, πριν αλλάξετε ένα εξάρτημα ή όταν πρόκειται να διαφυλάξετε/να αποθηκεύσετε το μηχανήμα. Αυτά τα προληπτικά μέτρα ασφαλείας μειώνουν τον κίνδυνο από τυχόν αθέλητη εκκίνηση του ηλεκτρικού εργαλείου.
- ▶ Διαφυλάγετε τα ηλεκτρικά εργαλεία που δε χρησιμο-

ποιείτε μακριά από παιδιά. Μην επιτρέψετε τη χρήση του μηχανήματος σε άτομα που δεν είναι εξοικειωμένα μ' αυτό ή δεν έχουν διαβάσει τις παρούσες οδηγίες. Τα ηλεκτρικά εργαλεία είναι επικίνδυνα όταν χρησιμοποιούνται από άπειρα πρόσωπα.

- ▶ Να περιποιείστε προσεκτικά το ηλεκτρικό εργαλείο. Ελέγχετε, αν τα κινούμενα μέρη λειτουργούν άψογα, χωρίς να μπλοκάρουν, ή μήπως έχουν σπάσει ή φθαρεί τυχόν μέρη τα οποία επηρεάζουν τον τρόπο λειτουργίας του ηλεκτρικού εργαλείου. Δώστε το χαλασμένο ηλεκτρικό εργαλείο για επισκευή πριν το ξαναχρησιμοποιήσετε. Η κακή συντήρηση των ηλεκτρικών εργαλείων αποτελεί αιτία πολλών ατυχημάτων.
- ▶ Διατηρείτε τα εξαρτήματα κοπής κοφτερά και καθαρά. Προσεκτικά συντηρημένα κοπτικά εξαρτήματα σφινώνουν δυσκολότερα και οδηγούνται ευκολότερα.
- ▶ Χρησιμοποιείτε τα ηλεκτρικά εργαλεία, εξαρτήματα, παρελκόμενα εργαλεία κτλ. σύμφωνα με τις παρούσες οδηγίες. Λαμβάνετε επίσης υπόψη σας τις εκάστοτε συνθήκες και την υπό εκτέλεση εργασία. Η χρησιμοποίηση των ηλεκτρικών εργαλείων για εργασίες που δεν προβλέπονται γι' αυτά μπορεί να δημιουργήσει επικίνδυνες καταστάσεις.

Service

Δώστε το ηλεκτρικό εργαλείο σας για επισκευή από άριστα εκπαιδευμένο προσωπικό και με γνήσια ανταλλακτικά. Έτσι εξασφαλίζετε τη διατήρηση της ασφάλειας του μηχανήματος.

ΥΠΟΔΕΙΞΕΙΣ ΑΣΦΑΛΕΙΑΣ ΓΙΑ ΔΙΣΚΟΠΡΙΟΝΑ

Διαδικασία κοπής

- ▶ **ΚΙΝΔΥΝΟΣ:** Μη βάλετε τα χέρια σας στον τομέα πριονίσματος και στον πριονόδισκο. Κρατάτε με το δεύτερο (το άλλο) χέρι σας την πρόσθετη λαβή ή το περίβλημα του κινητήρα. Όταν κρατάτε το πριόνι και με τα δυο σας χέρια τότε το πριόνι δεν μπορεί να σας τραυματίσει.
- ▶ Μη βάζετε τα χέρια σας κάτω από το υπό κατεργασία τεμάχιο. Ο προφυλακτήρας δεν μπορεί να σας προστατέψει κάτω από το υπό κατεργασία τεμάχιο.
- ▶ Προσαρμόστε το βάθος κοπής στο πάχος του υπό κατεργασία τεμαχίου. Κάτω από το υπό κατεργασία τεμάχιο θα πρέπει να φαίνεται λιγότερο από ένα ολόκληρο δόντι.
- ▶ Να μην κρατάτε ποτέ το υπό κοπή τεμάχιο με το χέρι και να μην το ακουμπάτε επάνω στα σκέλη σας. Να ασφαλίσετε το υπό κατεργασία τεμάχιο επάνω σε μια στερεή επιφάνεια. Η καλή στερέωση του υπό κατεργασία τεμαχίου είναι σημαντική επειδή έτσι περιορίζετε στο ελάχιστο τον κίνδυνο της επαφής του με το σώμα σας, του σφηνώματος του πριονόδισκου ή της απώλειας του ελέγχου.
- ▶ Κρατάτε το ηλεκτρικό εργαλείο μόνο από τις μονωμένες επιφάνειες λαβής, όταν εκτελείτε εργασίες, στις οποίες το εξάρτημα μπορεί να έρθει σε επαφή με μη ορατούς ηλεκτροφόρους αγωγούς ή με το δικό του ηλεκτρικό καλώδιο. Η επαφή με έναν ηλεκτροφόρο αγωγό θέτει επίσης τα μεταλλικά μέρη του ηλεκτρικού εργαλείου υπό τάση και προκαλεί μια ηλεκτροπληξία.
- ▶ Κατά τη διεξαγωγή διαμηκών κοπών να χρησιμοποιείτε πάντοτε έναν οδηγό ή μια ευθεία ακμή ως βοήθημα οδήγησης. Έτσι βελτιώνεται η ακρίβεια της κοπής και ταυτόχρονα μειώνονται οι πιθανότητες σφηνώματος του πριονόδισκου.

- ▶ Χρησιμοποιείτε πάντοτε πριονόδισκους με το σωστό μέγεθος και με τη σωστή τρύπα υποδοχής (π.χ. ρομβοειδή ή στερογγυλή). Πριονόδισκοι που δεν ταιριάζουν στα τμήματα συναρμολόγησης του πριονιού περιτρέφονται ανομοιόμορφα και οδηγούν σε απώλεια του ελέγχου.
- ▶ Μη χρησιμοποιήσετε ποτέ χαλασμένες ή ακατάλληλες ροδέλες ή βίδες πριονόδισκου. Οι ροδέλες και οι βίδες πριονόδισκου κατασκευάστηκαν ειδικά για το πριόνι σας και εξασφαλίζουν άριστη απόδοση και ασφάλεια λειτουργίας.
- ▶ Κλότσημα - Αιτίες και σχετικές υποδείξεις ασφαλείας
 - Το κλότσημα είναι μια απροσδόκητη αντίδραση εξαιτίας ενός σφηνωμένου ή λάθος ευθυγραμμισμένου πριονόδισκου, με συνέπεια το ανεξέλεγκτο τίναγμα του πριονιού έξω από το υπό κατεργασία τεμάχιο με κατεύθυνση προς το χειριστή/τη χειρίστρια.
 - Όταν ο πριονόδισκος σφηνώσει ή σκοντάψει μέσα στην σχισμή κοπής, τότε ο περιστρεφόμενος κινητήρας του ηλεκτρικού εργαλείου ωθεί το πριόνι με ορμή προς τα πίσω, με κατεύθυνση προς το χειριστή/τη χειρίστρια.
 - Όταν ο πριονόδισκος στρεβλώσει μέσα στην τομή κοπής ή όταν είναι λάθος ευθυγραμμισμένος, τότε τα δόντια της πίσω ακμής του πριονόδισκου μπορεί να σφηνώσουν στην επιφάνεια του υπό κατεργασία τεμαχίου, οπότε υπάρχει κίνδυνος ο πριονόδισκος να βγει από τη σχισμή κοπής και να τυχαίσει με ορμή προς τα πίσω, με κατεύθυνση προς το χειριστή/τη χειρίστρια.
 - Το κλότσημα είναι το αποτέλεσμα ενός εσφαλμένου ή ελλιπούς χειρισμού του ηλεκτρικού εργαλείου και μπορεί να αποφευχθεί με λήψη κατάλληλων προληπτικών μέτρων, σαν αυτά που περιγράφονται παρακάτω.
- ▶ Να συγκρατείτε το ηλεκτρικό εργαλείο σταθερά και με τα δυο σας χέρια και να φροντίζετε, η θέση του σώματός σας να είναι κατάλληλη για να αντιμετωπίσετε τυχόν αντιδραστικές δυνάμεις (κλότσημα). Να παίρνετε θέση πάντοτε δίπλα στον πριονόδισκο και να μην ευθυγραμμίζετε ποτέ το σώμα σας μ' αυτόν. Σε περίπτωση κλοτσήματος το δισκοπριόνιο μπορεί μεν να εκτιναχθεί προς τα πίσω, πλην όμως, όταν έχουν παρθεί τα κατάλληλα προληπτικά μέτρα, ο χειριστής θα μπορεί σε αντισταθεί αποτελεσματικά στις απευσιώμενες αντιδραστικές δυνάμεις.
- ▶ Σε περίπτωση σφηνώματος του πριονόδισκου ή όταν διακόπτετε την εργασία σας, να θέτετε το πριόνι εκτός λειτουργίας και να κρατάτε με ψυχία το υπό κατεργασία τεμάχιο μέχρι να σταματήσει την κίνησή του ο πριονόδισκος. Μην προσπαθήσετε ποτέ, όσο κινείται ο πριονόδισκος, να βγάλετε το πριόνι από το υπό κατεργασία τεμάχιο ή να το τραβήξετε προς τα πίσω, γιατί αυτό μπορεί να οδηγήσει σε κλότσημα. Εξακριβώστε και εξουδετερώστε την αιτία του σφηνώματος.
- ▶ Όταν θέτετε να θέσετε πάλι σε λειτουργία ένα πριόνι που βρίσκεται μέσα στο υπό κατεργασία τεμάχιο, τότε κεντράρετε τον πριονόδισκο μέσα στη σχισμή κοπής και βεβαιωθείτε ότι τα δόντια του πριονόδισκου δεν είναι σφηνωμένα μέσα στο υπό κατεργασία τεμάχιο. Αν ο πριονόδισκος είναι σφηνωμένος, τότε αυτός μπορεί, όταν θέσετε το πριόνι πάλι σε λειτουργία, να βγει από το υπό κατεργασία τεμάχιο και να κλοτσήσει.
- ▶ Να υποστηρίζετε μεγάλες υπό κατεργασία πλάκες για να ελαττώσετε τον κίνδυνο κλοτσήματος σε περίπτω-

ση που σφηνώνει ο πριονόδισκος. Οι μεγάλες πλάκες μπορεί να λυγίσουν κάτω από το ίδιο τους το βάρος. Οι πλάκες πρέπει να υποστηρίζονται και στις δυο πλευρές, και κοντά στον πριονόδισκο και στην άλλη άκρη τους.

- ▶ Μη χρησιμοποιείτε αμβλίες ή χαλασμένους πριονόδισκους. Πριονόδισκοι με μη κοφτερά ή λάθος ευθυγραμμισμένα δόντια προκαλούν, μέσα σε μια πολύ στενή σχισμή κοπής, υψηλή τριβή, σφήνωμα του πριονόδισκου και κλότσημα.
- ▶ Σφίξτε καλά τις διατάξεις ρύθμισης βάθους και γωνίας κοπής πριν αρχίσετε το πριόνισμα. Αν κατά τη διάρκεια του πριονίσματος μεταβληθούν οι ρυθμίσεις, ο πριονόδισκος μπορεί να σφηνώσει και να οδηγήσει σε κλότσημα.
- ▶ Να είστε ιδιαίτερα προσεκτικός/προσεκτική όταν κόβετε σε ήδη υπάρχοντες τοίχους ή σε άλλους μη επιβλεπόμενους τομείς. Ο βυθιζόμενος πριονόδισκος μπορεί να προκρούσει ή να μπλοκάρει σε μη ορατά αντικείμενα και να προκαλέσει κλότσημα.

Λειτουργία του κάτω προφυλακτήρα

- ▶ Πριν από κάθε χρήση πρέπει να βεβαιώνετε ότι ο κάτω προφυλακτήρας κλείνει άμογα. Μη χρησιμοποιήσετε το πριόνι όταν ο κάτω προφυλακτήρας δεν κινείται ελεύθερα και δεν κλείνει αμέσως. Να μη σφηνώνετε και να μη προσδέσετε ποτέ τον κάτω προφυλακτήρα για να παραμείνει ανοικτός. Ο κάτω προφυλακτήρας μπορεί να στρεβλώσει σε περίπτωση που το πριόνι πέσει αθέλητα στο έδαφος. Ανοίξτε τον προφυλακτήρα με το μοχλό επαναφοράς και βεβαιωθείτε ότι αυτός μπορεί και κινείται ελεύθερα καθώς και ότι, κατά τη λειτουργία σε όλες τις γωνίες και σε όλα τα βάθη κοπής, δεν αγγίζει ούτε τον πριονόδισκο ούτε κάποια άλλα εξαρτήματα.
- ▶ Ελέγξτε τη λειτουργία του ελατηρίου του κάτω προφυλακτήρα. Σε περίπτωση που δε λειτουργούν άμογα ο κάτω προφυλακτήρας και το ελατήριο δώστε το πριόνι για συντήρηση πριν το χρησιμοποιήσετε. Χαλασμένα εξαρτήματα, κολλώδη ιζήματα ή συσσωρεύσεις γρεζιών/ροκανιδίων επιβραδύνουν τη λειτουργία του κάτω προφυλακτήρα.
- ▶ Ανοίξτε τον κάτω προφυλακτήρα με το χέρι μόνο σε περίπτωση ιδιαίτερων κοπών, όπως «βυθιζόμενες κοπές και κοπές γωνιών». Ανοίξτε τον κάτω προφυλακτήρα με το μοχλό επαναφοράς και αφήστε τον ελεύθερο, μόλις ο πριονόδισκος βυθιστεί στο επεξεργαζόμενο κομμάτι. Σε όλες τις άλλες εργασίες πριονίσματος πρέπει να εργάζεται αυτόματα ο κάτω προφυλακτήρας.
- ▶ Μην ακουμιάσετε το πριόνι επάνω στον πάγκο εργασίας ή στο δάπεδο όταν ο κάτω προφυλακτήρας δεν καλύπτει τον πριονόδισκο. Ένα ακάλυπτος πριονόδισκος που συνεχίζει να κινείται (ικνηλατεί) σπρώχνει το πριόνι με φορά αντίθετη της φοράς κοπής πριονίζοντας ό, τι συναντήσει στο δρόμο του. Γι' αυτό να δίνετε προσοχή στο χρόνο ικνηλασίας του πριονιού.

ΤΕΧΝΙΚΑ ΧΑΡΑΚΤΗΡΙΣΤΙΚΑ

Κωδικός Είδους	41 344	41 345
	CS	CS
Μοντέλο	65/1500 PLUS	85/2000 PLUS
Τάση	V	230-240
Συχνότητα	Hz	50

Όνομαστική ισχύς	W	1.500	2.000
Αριθμός στροφών χωρίς φορτίο	min ⁻¹	5.800	5.000
Διάμετρος πριονόδισκου	mm	Ø185	Ø235
Μέγιστο βάθος κοπής υπό γωνία 90°	mm	65	85
Μέγιστο βάθος κοπής υπό γωνία 45°	mm	43	56
Βάρος (χωρίς αξεσουάρ)	kg	4,4	6,3

Κατηγορία μόνωσης



Τιμές εκπομπής θορύβου, υπολογισμένες κατά EN 62841-1, EN 62841-2-5

Η χαρακτηριστική στάθμη θορύβου του μηχανήματος εξακριβώθηκε σύμφωνα με την καμπύλη A και ανέρχεται σε:

Στάθμη ακουστικής πίεσης	dB(A)	96,6	93,4
Στάθμη ακουστικής ισχύος	dB(A)	107,6	104,4
Ανασφάλεια K	dB	3	3

Φοράτε ωτασπίδες!

Οι συνολικές τιμές κραδασμών a_h (άθροισμα ανυσομάτων τριών κατευθύνσεων) και ανασφάλεια K εξακριβώθηκαν σύμφωνα με το πρότυπο EN 62841-1, EN 62841-2-5

Συνολικές τιμές κραδασμών:

a_h	m/s ²	3,37	4,73
K	m/s ²	1,5	1,5

Λειτουργική περιγραφή:

1. Μοχλός κάτω προφυλακτήρα
2. Έξοδος σκόνης
3. Πριονόδισκος
4. Διακόπτης λειτουργίας λείζει
5. Ένδειξη ρεύματος
6. Βοηθητική λαβή
7. Λείζει
8. Μετρητής γωνίας
9. Κουμπί ασφάλισης για ρύθμιση γωνίας
10. Κουμπί ασφάλισης για οδηγό παράλληλων
11. Πλάκα βάσης
12. Οδηγός παράλληλων
13. Εξωτερική φλάντζα
14. Βίδα σύσφιξης πριονόδισκου
15. Κάτω προφυλακτήρας
16. Κουμπί ασφάλισης άξονα

17. Διακόπτης ON / OFF
18. Κουμπί κλειδώματος
19. Κύρια λαβή
20. Μετρητής βάθους
21. Μοχλός ασφάλισης για ρύθμιση βάθους

ΣΥΝΑΡΜΟΛΟΓΗΣΗ

Σημαντικό: Αποσυνδέστε το εργαλείο πριν από οποιαδήποτε συναρμολόγηση και ρύθμιση.

Αλλαγή Πριονόδισκου (3, 4)

Προειδοποίηση: Πάντοτε αποσυνδέετε το φιν από την πηγή τροφοδοσίας πριν πραγματοποιήσετε οποιοδήποτε προσαρμογές ή συνημμένα εξαρτήματα. Μην χρησιμοποιείτε δίσκους λείανσης.

1. Τοποθετήστε το δισκοπρίονο στη μια πλευρά του σε μια επίπεδη επιφάνεια. Συνιστούμε να κατεβάσετε την πλάκα της βάσης για ελάχιστο βάθος κοπής γιατί ο χειρισμός είναι ευκολότερος έτσι.
2. Σπρώξτε το κουμπί ασφάλισης του άξονα **16** προς το περιβλήμα του κινητήρα όπως δείχνει το βέλος στο Εικ. 3 και κρατήστε το πατημένο.
3. Γυρίστε τη βίδα σύσφιξης πριονόδισκου **14** προς τα αριστερά, χρησιμοποιώντας το κλειδί που συνοδεύει το εργαλείο.
4. Αφαιρέστε τη βίδα σύσφιξης πριονόδισκου **14** και την εξωτερική φλάντζα **13**.
5. Σηκώστε τον κάτω προφυλακτήρα **15** χρησιμοποιώντας το μοχλό του κάτω προφυλακτήρα **1** και, στη συνέχεια, αφαιρέστε τον πριονόδισκο.
6. Καθαρίστε τις φλάντζες του πριονόδισκου, στη συνέχεια τοποθετήστε το νέο πριονόδισκο στον άξονα εξόδου και έναντι της εσωτερικής φλάντζας
7. Βεβαιωθείτε ότι τα δόντια του πριονόδισκου και το βέλος επάνω του είναι στην ίδια φορά κατεύθυνσης με το βέλος στον κάτω προφυλακτήρα.
8. Επανατοποθετήστε την εξωτερική φλάντζα και σφίξτε τη βίδα σύσφιξης πριονόδισκου.
9. Βεβαιωθείτε ότι ο πριονόδισκος κινείται ελεύθερα όταν τον γυρνάτε με το χέρι.

Ρύθμιση Βάθους Κοπής (5)

1. Χαλαρώστε το μοχλό ασφάλισης για τη ρύθμιση βάθους **21**.
2. Κρατήστε την πλάκα βάσης προς την άκρη του αντικείμενου που θα εργαστείτε και σηκώστε το σώμα του πριονόδισκου έως ότου ο δίσκος βρεθεί στο σωστό βάθος που καθορίζεται από το μετρητή βάθους (20) (ευθυγράμμιση της γραμμής της κλίμακας).
3. Σφίξτε το μοχλό ασφάλισης για ρύθμιση βάθους.

Ρύθμιση Γωνίας Πέλματος (6)

1. Χαλαρώστε το κουμπί ασφάλισης για τη ρύθμιση της γωνίας **9**.
2. Ρυθμίστε το πέλμα στην επιθυμητή γωνία μεταξύ 0° και 45°. [Βλέπε μετρητή γωνίας **8**].
3. Σφίξτε το κουμπί ασφάλισης για τη ρύθμιση της γωνίας.

Ενεργοποίηση και απενεργοποίηση (7)

Πριν ενεργοποιήσετε τον διακόπτη ON / OFF, ελέγξτε ότι ο πριονόδισκος έχει τοποθετηθεί σωστά και λειτουργεί ομαλά, η βίδα σύσφιξης του δίσκου είναι καλά σφιγμένη.

1. Συνδέστε το βύσμα στην παροχή ρεύματος, η ένδειξη ρεύματος **5** ανάβει μέχρι να απουσυνδεθεί το εργαλείο από το ρεύμα.
2. Για να ενεργοποιήσετε το δισκοπρίονο, πατήστε το κουμπί κλειδώματος **18** και ταυτόχρονα πατήστε το διακόπτη on/off **17**.
3. Όταν απελευθερώνετε το διακόπτη **17**, το εργαλείο σβήνει.
4. Ρύθμιση παράλληλης κοπής (Εικ. 8)
5. Χαλαρώστε το κουμπί ασφάλισης του οδηγού παραλλήλων **10**.
6. Σύρετε τον οδηγό παραλλήλων **12** διαμέσου των σχισμών στο πέλμα στο επιθυμητό πλάτος.
7. Σφίξτε τη βίδα ασφάλισης για να τον ασφαλίσετε στη θέση του.
8. Βεβαιωθείτε ότι ο οδηγός παραλλήλων στηρίζεται σε όλο το μήκος του ξύλου για να δώσει σταθερές παράλληλες κοπές.

Ενεργοποίηση Λείζερ (7)

Προειδοποιήσεις: Μην κοιτάτε απευθείας τη δέσμη φωτός του λείζερ, μην στρέφετε σκόπιμα τη δέσμη λείζερ σε τρίτους και βεβαιωθείτε ότι δεν κατευθύνεται προς το μάτι κάποιου ατόμου για περισσότερο από 0,25 δευτερόλεπτα. Όταν κάνετε τη γραμμή της τομής στο αντικείμενο εργασίας, η ακτίνα λείζερ μπορεί να σας βοηθήσει να έχετε καλύτερη ευθυγράμμιση.

Ενεργοποίηση: Πιέστε το διακόπτη λειτουργίας λείζερ (4), το λείζερ (7) λειτουργεί.

Απενεργοποίηση: Πιέστε ξανά το διακόπτη.

1. Βεβαιωθείτε ότι η ακτίνα λείζερ συμπίπτει με τη γραμμή κοπής που είναι σημειωμένη πάνω στο αντικείμενο εργασίας.
2. Ρυθμίστε τη γωνία κοπής όπως απαιτείται
3. Συνδέστε το μηχάνημα με την πηγή τροφοδοσίας και ξεκινήστε τον κινητήρα
4. Όταν η λεπίδα είναι στη μέγιστη ταχύτητά της (περίπου 2 δευτερόλεπτα), τοποθετήστε το πριόνι στο αντικείμενο εργασίας.
5. Ενεργοποιήστε το λείζερ από το άνοιγμα λείζερ χρησιμοποιώντας το διακόπτη λειτουργίας λείζερ (4).
6. Ευθυγραμμίστε τη δέσμη με το σημάδι στο αντικείμενο εργασίας και σπρώξτε αργά το πριόνι προς τα εμπρός χρησιμοποιώντας και τα δύο χέρια, διατηρώντας τη δέσμη κόκκινου φωτός στο σημάδι.
7. Απενεργοποιήστε τη δέσμη λείζερ κατά την ολοκλήρωση της κοπής.

ΛΕΙΤΟΥΡΓΙΑ

Γενική Κοπή

1. Κατά την εκκίνηση, κρατάτε πάντα τη χειρολαβή του δισκοπρίονου με το ένα χέρι και τη βοηθητική λαβή (6) με το άλλο χέρι. Μην ζορίζετε ποτέ το δισκοπρίονο, αλλά διατηρείτε μια ελαφριά και συνεχή πίεση, μετά την ολοκλήρωση της κοπής αφήστε το δισκοπρίονο να τερματίσει τελείως. Όταν διακόπεται η κοπή, επαναλάβετε την κοπή, επιτρέποντας στο δίσκο να φτάσει σε πλήρη ταχύτητα και κατόπιν επανέλθε στην κοπή αργά.
2. Κατά την κοπή κατά μήκος των κόκκων, οι ίνες του ξύλου έχουν την τάση να σηκώνονται και να σχίζονται, η αργή κίνηση του δισκοπρίονου περιορίζει ελαφρώς αυτό το αποτέλεσμα.

Κοπή Σχισμών

1. Αποσυνδέστε το φινι από το ρεύμα πριν κάνετε οποιοδήποτε ρυθμίσεις. Ρυθμίστε το μετρητή βόθους με βάση το πάχος της γραμμής σχεδίου για την κοπή. Ανασηκώστε τον κάτω προφυλακτήρα χρησιμοποιώντας το μοχλό ανύψωσης.
2. Με το δίσκο μόλις πάνω από το υλικό που πρόκειται να κοπεί, εκκινήστε το δισκοπρίονο και αφήστε το δίσκο να αναπτύξει πλήρη ταχύτητα. Σταδιακά χαμηλώστε το δίσκο στο υλικό που πρόκειται να κοπεί χρησιμοποιώντας το εμπρόσθιο άκρο του πέλματος ως σημείο περιστροφής. Όταν ο δίσκος αρχίσει να κόβει, απελευθερώστε τον κάτω προφυλακτήρα. Όταν το πέλαμα στηρίζεται καλά στην επιφάνεια κοπής, ξεκινήστε να κόβετε προς τα εμπρός έως το τέλος του σημείου κοπής. Βεβαιωθείτε ότι ο δίσκος να σταματήσει τελείως πριν τον αφαιρέσετε από την τομή. Ποτέ μην τραβήξε το πριόνι προς τα πίσω, καθώς ο δίσκος θα βγει από την τομή και θα κλωτσώσει. Γυρίστε το πριόνι από την άλλη και ολοκληρώστε την κοπή με κανονικό τρόπο, κόβοντας προς τα εμπρός. Χρησιμοποιήστε μια σέγα ή ένα πριόνι χειρός για να ολοκληρώσετε την κοπή στις γωνίες, εάν απαιτείται.

Κοπή Μεγάλων Φύλλων

1. Τα μεγάλα φύλλα ή σανίδες απαιτούν στήριξη για την αποφυγή κάμψης ή βουλιαγμάτων. Εάν επιχειρήσετε να κόψετε χωρίς ισοπέδωση και σωστή υποστήριξη του αντικείμενου εργασίας, ο δίσκος θα κολλήσει, προκαλώντας κλότσημα.
2. Στηρίξτε την ξύλινη επιφάνεια κοντά στο σημείο κοπής. Βεβαιωθείτε ότι ρυθμίσατε το δίσκο έτσι ώστε να μπορείτε να κόψετε το υλικό χωρίς να κόψετε το τραπέζι ή τον πάγκο εργασίας. Προτάσεις: Χρησιμοποιήστε ξύλα 2x4" για να στηρίξετε τη ξύλινη επιφάνεια που θέλετε να κόψετε. Αν το κομμάτι είναι πολύ μεγάλο για τον πάγκο εργασίας, χρησιμοποιήστε το δάπεδο με ξύλα 2x4" που στηρίζουν το ξύλο.

Συντήρηση

1. Για να αποφύγετε τα ατυχήματα, αποσυνδέστε πάντα τον πριόνι από την πηγή τροφοδοσίας πριν από τον καθαρισμό ή την εκτέλεση οποιασδήποτε συντήρησης. Το πριόνι μπορεί να καθαριστεί αποτελεσματικότερα με χρήση πεπιεσμένου αέρα. Να φοράτε πάντα προστατευτικά γυαλιά όταν χρησιμοποιείτε πεπιεσμένο αέρα. Εάν δεν υπάρχει πεπιεσμένος αέρας, χρησιμοποιήστε μια βούρτσα για να αφαιρέσετε τη σκόνη και τα ρινίσματα από το δισκοπρίονο.
2. Οι οπές εξεραισμού του κινητήρα και οι διακόπτες πρέπει να διατηρούνται καθαροί και απαλλαγμένοι από ξένα σώματα. Μην προσπαθήσετε να καθαρίσετε εισάγοντας αιχμηρά αντικείμενα μέσα από τα ανοίγματα.
3. Ποτέ μην χρησιμοποιείτε καυστικούς παράγοντες για να καθαρίζετε τα πλαστικά μέρη. Όπως βενζίνη, τετραχλωράνθρακα, κλωρωμένοι διαλύτες καθαρισμού, αμμωνία και οικιακά καθαριστικά που περιέχουν αμμωνία. Μην χρησιμοποιείτε κανένα από αυτά για να καθαρίσετε το δισκοπρίονο.
4. Να ζητήσετε από ένα εξουσιοδοτημένο service να εξετάσει και/ή να αντικαταστήσει τις φθαρμένες ψύκτρες άνθρακα σε περίπτωση υπερβολικής φθοράς.

5. Οι δίσκοι στομώνουν ακόμα και όταν κόβετε κανονική ξυλεία. Ένα σίγουρο σημάδι ενός στομωμένου δίσκου είναι η ανάγκη να πιέζετε το πριόνι προς τα εμπρός αντί να το οδηγείτε όσο κάνετε μια κοπή. Πηγαίνετε το δίσκο σε ένα service για ακόνισμα.
6. Διατηρείτε το μηχάνημα πάντα καθαρό.
7. Εάν εντοπίσετε τυχόν ζημιά, συμβουλευτείτε το τεχνικό σχέδιο και τον κατάλογο εξαρτημάτων για να προσδιορίσετε ακριβώς ποιο τμήμα αντικατάστασης πρέπει να παραγγείλετε από το τμήμα εξυπηρέτησης πελατών μας.
8. Καθαρίστε το περίβλημα μόνο με ένα ελαφρώς νοτισμένο πανί. Μην χρησιμοποιείτε διαλύτες! Στεγνώστε καλά στη συνέχεια. Προκειμένου να διατηρηθεί η χωρητικότητα της μπαταρίας, σας συνιστούμε να αποφορτίσετε πλήρως την μπαταρία κάθε μήνα και να την επαναφορτίσετε ξανά. Αποθηκεύστε το μόνο πλήρως φορτισμένο και συμπληρωμένο τη φόρτιση πότε πότε, εάν αποθηκεύεται για μεγάλο χρονικό διάστημα. Φυλάσσετε σε ξηρό μέρος που δεν πιάνει πάγο. Η θερμοκρασία περιβάλλοντος δεν πρέπει να υπερβαίνει τους 40°C.
9. Εάν το καλώδιο τροφοδοσίας αυτού του ηλεκτρικού εργαλείου έχει υποστεί ζημιά, πρέπει να αντικατασταθεί από ένα παρόμοιο καλώδιο διαθέσιμο μέσω του εξουσιοδοτημένου service ή τεχνικού.
10. Για λόγους ασφαλείας, το μηχάνημα απενεργοποιείται αυτόματα εάν οι ψύκτρες είναι τόσο φθαρμένες, ώστε να μην έχουν πλέον επαφή με τον κινητήρα. Σε αυτή την περίπτωση, οι ψύκτρες πρέπει να αντικατασταθούν από ένα παρόμοιο ζευγάρι ψυκτρών, που διατίθεται από ένα εξουσιοδοτημένο service ή ένα εξειδικευμένο επαγγελματία.

ΠΡΟΣΟΧΗ: Οι ψύκτρες πρέπει πάντα να αντικαθίστανται σε ζεύγη.

ΠΡΟΣΟΧΗ: Πάντοτε αποσυνδέστε το μηχάνημα από την τροφοδοσία ρεύματος πριν αφαιρέσετε τα ηλεκτρικά καλώδια.

ΠΡΟΣΤΑΣΙΑ ΤΟΥ ΠΕΡΙΒΑΛΛΟΝΤΟΣ

Μην απορρίπτετε τις ηλεκτρικές συσκευές σας ως σύμμεκτα αστικά απόβλητα, χρησιμοποιήστε ξεχωριστές εγκαταστάσεις συλλογής αποβλήτων. Επικοινωνήστε με την τοπική αρχή σας για να ενημερωθείτε όσον αφορά τα διαθέσιμα συστήματα συλλογής. Εάν οι ηλεκτρικές συσκευές απορρίπτονται σε χώρους υγειονομικής ταφής ή σε χωματερές, υπάρχει περίπτωση διαρροής βλαβερών ουσιών στα υπόγεια ύδατα και εισχώρησής τους στην τροφική αλυσίδα, βλάπτοντας με αυτό τον τρόπο την υγεία και την ευεξία σας. Όταν αντικαθιστάτε τις παλιές συσκευές με νέες, ο έμπορος λιανικής είναι νομικά υποχρεωμένος να συλλέξει την παλιά σας συσκευή για απόρριψη τουλάχιστον δωρεάν.

ΕΓΓΥΗΣΗ

Αυτό το προϊόν είναι εγγυημένο σύμφωνα με τους νόμους / ειδικούς κανονισμούς ανά χώρα, από την ημερομηνία αγοράς του από τον χρήστη. Ζημιές που οφείλονται σε φυσιολογική φθορά, υπερφόρτωση ή ακατάλληλο χειρισμό θα εξαιρεθούν από την εγγύηση. Σε περίπτωση αξίωσης, στείλετε το μηχάνημα, πλήρως συναρμολογημένο, στον αντιπρόσωπό σας ή στο επίσημο κέντρο σέρβις.

Srpski

OPŠTA UPOZORENJA ZA ELEKTRIČNE ALATE

Čitajte sva upozorenja i uputstva. Propusti kod pridržavanja upozorenja i uputstava mogu imati za posledicu električni udar, požar i/ili teške povrede.

Čuvajte sva upozorenja i uputstva za budućnost. Pojam upotrebljen u upozorenjima „električni alat“ odnosi se na električne alate sa radom na mreži (sa mrežnim kablom) i na električne alate sa radom na akumulator (bez mrežnog

Sigurnost na radnom mestu

- ▶ Držite Vaše radno područje čisto i dobro osvetljeno. Nered ili neosvetljena radna područja mogu voditi nesrećama.
- ▶ Ne radite sa električnim alatom u okolini ugroženoj eksplozijom, u kojoj se nalaze zapaljive tečnosti, gasovi ili prašine. Električni alati prave varnice koje mogu zapaliti prašinu ili isparenja.
- ▶ Držite podalje decu i druge osobe za vreme korišćenja električnog alata. Prilikom rada možete izgubiti kontrolu nad aparatom.

Električna sigurnost

- ▶ Priključni utikač električnog alata mora odgovarati utičnici. Utikač nesme nikako da se menja. Ne upotrebljavajte adaptere utikača zajedno sa električnim alatima zaštićenim uzemljenjem. Ne promenjeni utikači i odgovarajuće utičnice smanjuju rizik električnog udara.
- ▶ Izbegavajte kontakt telom sa uzemljenim površinama kao cevi, grejanja, šporet i rashladni ormani. Postoji povećani rizik od električnog udara ako je Vaše telo uzemljeno.
- ▶ Držite aparat što dalje od kiše ili vlage. Prodor vode u električni alat povećava rizik od električnog udara.
- ▶ Ne nosite električni alat za kabl, ne vešajte ga ili ne izvlačite ga iz utičnice. Držite kabl dalje od vreline, ulja, oštrih ivica ili delova aparata koji se pokreću. Oštećeni ili uvrtuti kablovi povećavaju rizik električnog udara.
- ▶ Ako sa električnim alatom radite u prirodi, upotrebljavajte samo produžne kablove koji su pogodni za spoljnu upotrebu. Upotreba produžnog kabla uzemljenog za spoljnu upotrebu smanjuje rizik od električnog udara.
- ▶ Ako rad električnog alata ne može da se izbegne u vlažnoj okolini, koristite prekidač strujne zaštite pri kvaru. Upotreba prekidača strujne zaštite pri kvaru smanjuje rizik od električnog udara.

Sigurnost osoblja

- ▶ Budite pažljivi, pazite na to, šta radite i idite razumno na posao sa Vašim električnim alatom. Ne koristite električni alat ako ste umorni ili pod uticajem droge, alkohola ili lekova. Momenat nepažnje kod upotrebe električnog alata može voditi ozbiljnim povredama.
- ▶ Nosite ličnu zaštitnu opremu i uvek zaštitne naočare. Nošenje lične zaštitne opreme, kao maske za prašinu, sigurnosne cipele koje ne klizu, zaštitni šlem ili zaštitu za sluh, zavisno od vrste i upotrebe električnog alata, smanjuju rizik od povreda.
- ▶ Izbegavajte nenamerno puštanje u rad. Uverite se da je električni alat isključen, pre nego što ga priključite na struju i/ili na akumulator, uzmete ga ili nosite. Ako prilikom nošenja električnog alata držite prst na prekidaču

ili aparat uključen priključujete na struju, može ovo voditi nesrećama.

- ▶ Uklonite alate za podešavanje ili ključeve za zavrtnje, pre nego što uključite električni alat. Neki alat ili ključ koji se nalazi u rotirajućem delu aparata, može voditi nesrećama.
- ▶ Izbegavajte nenormalno držanje tela. Pobrinite se uvek da stabilno stojite i održavajte u svako doba ravnotežu. Na taj način možete bolje kontrolisati električni alat u neočekivanim situacijama.
- ▶ Nosite pogodnu odeću. Ne nosite široku odeću ili nakit. Držite kosu, odeću i rukavice dalje od pokretnih delova. Opušteno odelo, dugu kosu ili nakit mogu zahvatiti rotirajući delovi.
- ▶ Ako mogu da se montiraju uredjaji za usisavanje i skupljanje prašine, uverite se da li su priključeni i upotrebljeni kako treba. Upotreba usisavanja prašine može smanjiti opasnosti od prašine.

Brizljiva upotreba i ophodjenje sa električnim alatima

- ▶ Ne preopterećujte aparat. Upotrebljavajte za Vaš posao električni alat određen za to. Sa odgovarajućim električnim alatom radite bolje i sigurnije u navedenom području rada.
- ▶ Ne koristite nikakav električni alat čiji je prekidač u kvaru. Električni alat koji se ne može više uključiti ili isključiti, je opasan i mora se popraviti.
- ▶ Izvucite utikač iz utičnice i/ili uklonite akumulator pre nego što preduzmete podešavanja na aparatu, promenu delova pribora ili ostavite aparat. Ova mera sprečava nenamernan start električnog alata.
- ▶ Čuvajte nekorišćene električne alate izvan dometa dece. Ne dozvoljavajte korišćenje aparata osobama koje ne poznaju aparat ili nisu pročitale ova uputstva. Električni alati su opasni, kada ih koriste neiskusne osobe.
- ▶ Održavajte brizljivo električni alat. Kontrolišite da li pokretni delovi aparata besprekorno funkcionišu i ne „lepe“, da li su delovi polomljeni ili su tako oštećeni da je oštećena funkcija električnog alata. Popravite ove oštećene delove pre upotrebe. Mnoge nesreće imaju svoje uzroke u loše održavanim električnim alatima.
- ▶ Održavajte alate za sečenja oštre i čiste. Brizljivo održavani alati za sečenja sa oštrim ivicama manje „slepljuju“ i lakše se vode.
- ▶ Upotrebljavajte električni alat, pribor, alate koji se umeću itd. prema ovim uputstvima. Obratite pažnju pritom na ulove rada i posao koji morate obaviti. Upotreba električnih alata za druge namene koje nisu predviđene, može voditi opasnim situacijama.

Servisi

Neka Vam Vaš električni alat popravlja samo kvalifikovano osoblje i samo sa originalnim rezervnim delovima. Tako se obezbeđuje, da ostane sačuvana sigurnost aparata.

SIGURNOSNA UPUTSTVA ZA KRUŽNE TESTERE

Postupak testerisanja

- ▶ **OPASNOST:** Ne idite sa Vašim rukama u područje testere i lista testere. Držite sa Vašom drugom rukom dodatnu dršku ili kućište motora. Ako obe ruke drže

testeru, one se ne mogu povrediti od lista testere.

- ▶ Ne hvatajte ispod radnog komada. Zaštitna hauba Vas ne može zaštititi ispod radnog komada od lista testere.
- ▶ Podesite dubinu preseka debljini radnog komada. Ne bi trebalo da se vidi ispod radnog komada manje od cele visine zuba.
- ▶ Ne držite radni komad koji se seče nikada u ruci ili preko noge. Osigurajte radni komad na nekom stabilnom pritezaču. Važno je radni komad dobro pričvrstiti, da bi minimizirali opanost od kontakta sa telom, stezanja lista testere ili gubitka kontrole.
- ▶ Uхватите električni alat samo za izolovane površine drške, kada izvodite radove, pri kojima upotrebljeni alat može da naiđe na skrivene vodove električne struje ili vlastiti mrežni kabl. Kontakt sa vodom koji provodi napon takođe pod napon stavlja i metalne delove električnog alata i dovodi do električnog udara.
- ▶ Upotrebljavajte kod sečenja po dužini uvek graničnik ili ispravnu vodjicu ivice. Ovo poboljšava tačnost sečenja i smanjuje mogućnost da se list testere zaglavi.
- ▶ Upotrebljavajte uvek listove testere prave veličine i sa odgovarajućim prihvatnim otvorom (na primer u obliku romba ili krugao). Listovi testere koji ne odgovaraju montažnim delovima testere, okreću se ekscentrično i utiču na gubitak kontrole.
- ▶ Ne upotrebljavajte nikada oštećene ili pogrešne podmetače lista testere ili-zavrtnje. Podmetači lista testere i završnji su specijalno konstruisani za Vašu testeru, za optimalni učinak i sigurnost u radu.
- ▶ Povratan udarac – Uzroci i odgovarajuća sigurnosna uputstva
 - Povratan udarac je iznenadna reakcija usled lista testere koji zapinje, „slepljuje“ i koji je pogrešno centriran, koja utiče na to, da se nekontrolisana testera podiže i pokreće iz radnog komada nepolje u pravcu osobe koja radi.
 - Kada list testere zapinje ili „slepljuje“ u zatoru testere, ona blokira i motorna sila udara nazad testeru u pravcu radnika.
 - Ako se list testere u zatoru izvije ili pogrešno centriraju, mogu zubi zadnje ivice lista testere zakačiti površinu radnog komada, pri čemu se list testere vraća nazad iz zatora i iskače u pravcu radnika.
- ▶ Povratan udarac je posledica pogrešne ili felerične upotrebe testere. On se može sprečiti pogodnim merama opreza kao što je opisano u daljem tekstu.
- ▶ Držite čvrsto testeru sa obe ruke i Vaše ruke dovedite u položaj u kojem možete prihvatiti silu povratnog udara. Držite se uvek postrani lista testere, nikada u jednoj liniji list testere sa Vašim telom. Pri povratnom udarcu može testera skočiti unazad, međutim radnik može predviđenim merama opreza savladati silu povratnog udara.
- ▶ Ako list testere zaglavljuje ili Vi prekidate rad, isključite testeru i držite je mirno u radnom komadu, dok se list testere ne umiri. Nikada ne pokušavajte, da uklonite testeru iz radnog komada ili da je povlačite unazad, a da se list testere okreće, jer može uslediti povratni udarac. Pronadjite i uklonite uzor za zaglavljivanje lista testere.
- ▶ Ako hoćete ponovo da pokrenete testeru koja se nalazi u radnom komadu, centrirajte list testere u procepu testere i prokontrolišite, da li zubi testere ne zapinju u radnom komadu. Ako list testere zapinje, može se pokretati napolje iz radnog komada i prouzrokovati povratni udarac, kada se ponovo pokrene testera.

- ▶ Učvrstite velike ploče, da bi smanjili rizik povratnog udara listom testere koji zapinje. Velike ploče se mogu usled svoje vlastite težine savijati. Ploče se moraju na obe strane učvrstiti, kako u blizini procepa testere tako i na ivici.
- ▶ Ne upotrebljavajte tupe ili oštećene listove testere. Listovi testere sa tupim ili pogrešno centriranim zubima prouzrokuju usled uskog procepa testere povećano trenje, zapinjanje lista testere i povratni udarac.
- ▶ Čvrsto stegnite pre testerisanja podešavanje za dubinu i ugao preseka. Ako se za vreme testerisanja promene uglovi, može se list testere zaglaviti i nastupiti povratni udarac.
- ▶ Budite posebno oprezni kod testerisanja u postojećim zidove ili druga nevidljiva područja. Uronjeni list testere može pri testerisanju u skrivene objekte blokirati i prouzrokovati povratni udarac.

Funkcija donje zaštitne haube

- ▶ Pre svakog korišćenja prokontrolišite, da li donja zaštitna hauba besprekorno zatvara. Ne upotrebljavajte testeru, ako se donja zaštitna hauba ne pokreće slobodno i odmah zatvara. Nikada ne učvršćujte ili vezujte donju zaštitnu haubu u otvorenoj poziciji. Ako bi testera nenamerno pala na pod, može se donja zaštitna hauba iskriviti. Otvorite zaštitnu haubu sa polugom za vraćanje nazad i uverite se, da se slobodno pokreće i da pri svim uglovima i dubinama sečenja ne dodiruje ni list testere a ni druge delove.
- ▶ Prokontrolišite funkciju opruge za donju zaštitnu haubu. Neka sačekala testera sa upotrebom ako donja zaštitna hauba i opruga ne rade besprekorno. Oštećeni delovi, lepljive naslage ili nagomilana plijevina omogućavaju donjoj zaštitnoj haubi da funkcioniše sa kašnjenjem.
- ▶ Rukom otvorite donju zaštitnu haubu samo u slučaju specijalnih rezanja, kao što su „dubinska i ugaona rezanja“. Otvorite donju zaštitnu haubu pomoću ručice koja se povlači u nazad i otpustite je ukoliko je list testere zaronio u radni komad. Kod svih drugih radova testerom donja zaštitna hauba treba automatski da radi.
- ▶ Ne stavlajte testeru na radni sto ili pod, a da donja zaštitna hauba nije pokrila list testere. Nezaštićeni list testere u radu pokreće testeru nasuprot pravca sečenja i seče šta mu je na putu. Pazite pritom na vreme zadržavanja testere.

TEHNIČKA SPECIFIKACIJA:

Broj predmeta		41 344	41 345
		CS 65/1500 PLUS	CS 85/2000 PLUS
Napon	V	230-240	230-240
Frekvencija	Hz	50	50
Električna snaga	W	1.500	2.000
Brzina bez opterećenja	min ⁻¹	5.800	5.000
Dimenzije lista testere	mm	Ø185	Ø235
Maks. dubina sečenja pod uglom od 90°	mm	65	85

Maks. dubina sečenja pod uglom od 45°	mm	43	56
Težina (bez pribora) pribl.	kg	4,4	6,3

Klasa zaštite / II

Vrednosti emisije šumova se određuju u skladu sa EN 62841-1, EN 62841-2-5

A-vrednovan nivo šumova uređaja iznosi tipično

Nivo zbučnog pritiska	dB(A)	96,6	93,4
Nivo snage zvuka	dB(A)	107,6	104,4
Nesigurnost K	dB	3	3

Nosite zaštitu za sluh!

Ukupne vrednosti vibracija a_h (zbir vektora tri pravca) i nesigurnost K su dobijeni prema EN 62841-1, EN 62841-2-5

Ukupne vrednosti vibracija:

a_h	m/s ²	3,37	4,73
K	m/s ²	1,5	1,5

Opis rada:

1. Ručica donjeg štitnika
2. Izlaz za izbacivanje prašine
3. List testere (odabrani modeli)
4. Prekidač za laser (odabrani model)
5. Indikator napajanja (odabrani modeli)
6. Pomoćna drška (odabrani modeli)
7. Laser (odabrani modeli)
8. Skala za obaranje ivica
9. Zavrtnj za podešavanje ugla iskošenja
10. Zavrtnj za paralelni graničnik
11. Osnovna ploča
12. Paralelni graničnik
13. Spoljašnja prirubnica
14. Zavrtnj za stezanje lista testere
15. Donji štitnik
16. Taster za blokadu vretena
17. Prekidač za UKLJUČIVANJE/ISKLUČIVANJE
18. Blokada uključivanja za prekidač za uključivanje i isključivanje
19. Glavna drška
20. Skala dubine sečenja
21. Ručica za zaključavanje podešene dubine

MONTAŽA

Važno: Pre montaže i podešavanja uvek isključite alat iz struje.

Menjanje lista testere (3, 4)

Upozorenje: Pre svih radova na podešavanju ili uključivanju pribora izvucite mrežni utikač iz utičnice.

1. Kružnu testeru okrenite na stranu i postavite na ravnu površinu. Preporučuje se da osnovnu ploču spustite u položaj za minimalnu dubinu sečenja jer se tako lakše menja list testere.
2. Pritisnite taster za blokadu vretena **16** prema

kućištu motora, kao što je prikazano na slika 3 i čvrsto zadržite.

3. Okrećite zavrtnj za stezanje lista testere **14** suprotno smeru kretanje kazaljke na satu pomoću ključa koji je isporučen uz alat.
4. Uklonite zavrtnj za stezanje lista testere **14** i spoljašnju prirubnicu **13**.
5. Podignite donji štitnik **15** pomoću ručice za donji štitnik **1**, a zatim uklonite list testere.
6. Očistite prirubnice lista testere, a zatim montirajte novi list testere na izlazno vreteno i prema unutrašnjoj prirubnici.
7. Pobrinite se da zupci testere i strelica na listu testere budu okrenuti u istom smeru kao strelica na donjem štitniku.
8. Ponovo montirajte spoljašnju prirubnicu i zategnite zavrtnj za stezanje lista testere.
9. Uverite se da se list testere slobodno kreće tako što ćete ga okrenuti rukom.

Podešavanje dubine (5)

1. Popustite ručicu za zaključavanje podešene dubine **21**.
2. Osnovnu ploču postavite ravno u odnosu na ivicu predmeta obrade i podižite telo testere dok list testere ne dođe na odgovarajuću dubinu koja se očitava na skali dubine sečenja **20** (poravnajte liniju skale).
3. Zategnite ručicu za zaključavanje podešene dubine.

Podešavanje ugla (6)

1. Popustite zavrtnj za podešavanje ugla iskošenja **9**.
2. Podesite stopu na željeni ugao između 0° i 45°. [Pogledajte deo Skala za obaranje ivica **8**].
3. Zategnite zavrtnj za podešavanje ugla iskošenja.

Uključivanje i isključivanje (7)

Pre uključivanja pomoću prekidača za UKLJUČIVANJE / ISKLJUČIVANJE proverite da li je list testere pravilno montiran, da li se nesmetano kreće i da li je zavrtnj za stezanje lista dobro zategnut.

1. Uključite mrežni utikač u struju; indikator napajanja **5** će ostati upaljen sve dok se alat ne isključi iz struje.
2. Da biste uključili kružnu testeru, pritisnite blokadu uključivanja za prekidač za uključivanje i isključivanje **18** i povucite okidač prekidača za UKLJUČIVANJE/ISKLUČIVANJE **17**.
3. Kada otpustite okidač prekidača **17**, alat se isključuje.

Podešavanje paralelnog sečenja (8)

1. Popustite zavrtnj za podešavanje ivičnog graničnika **10**.
2. Gurnite paralelni graničnik **12** kroz proreze u stopi da podesite željenu širinu.
3. Zategnite zavrtnj za blokadu da biste ga ubacili u tom položaju.
4. Pobrinite se da ivični graničnik bude oslonjen na drvo celom svojom dužinom da bi obezbedio paralelno rezanje.

Laserska linija (7)

Upozorenja: Ne gledajte direktno u laserski zrak, ne usmeravajte zrak namerno prema ljudima i pobrinite se da se zrak ne usmerava prema očima duže od 0,25 s. Kada predmet obrade treba da sečeete po pravoj liniji, laserska linija će vam pomoći da postignete bolje poravnanje.

Uključivanje: Pritisnite prekidač za laser **4**. Laser **7** se aktivira.

Isključivanje: Ponovo pritisnite prekidač.

1. Proverite da li se linija lasera poklapa sa linijom za rezanje označenom na radnom predmetu.
2. Podesite ugao sečenja prema potrebi
3. Uključite mašinu u struju i pokrenite motor
4. Kada list testere dostigne maksimalnu brzinu (približno 2 sekunde), postavite testeru na predmet obrade.
5. Uključite laser pomoću prekidača za laser **4**.
6. Poravnajte laserski zrak sa označenom linijom sečenja na predmetu obrade i postepeno gurajte testeru sa obe ruke i održavajući crveni laserski zrak na označenoj liniji.
7. Isključite laserski zrak kada završite sa sečenjem.

RAD

Testerisanje opšte namene

1. Kada počinjete, uvek uhvatite dršku testere jednom rukom, a pomoćnu dršku **6** drugom rukom. Nikada ne forsirajte testeru, ali održavajte dobre uslove osvetljenja i primenjujte konstantan pritisak, a po završetku sečenja sačekajte da se testera u potpunosti zaustavi. U slučaju prekida tokom sečenja, nastavite sečenje tako što ćete prvo sačekati da list testere postigne punu brzinu, a zatim ga polako ponovo umetnuti u rez.
2. Kada se seče duž teksture drveta, vlakna drveta imaju tendenciju da se podižu i kidaju. Postepeno pomeranje testere svodi ovaj efekat na najmanju meru.

Izrezivanje džepova

1. Pre svih radova na podešavanju izvucite mrežni utikač iz utičnice. Podesite dubinu na osnovu debljine reza. Podignite gornji štitnik pomoću ručice za podizanje.
2. Pokrenite testeru sa listom testere iznad samog materijala koji sečeete i sačekajte da list testere postigne punu brzinu. Prednjim delom stope, kao tačkom rotacije, postepeno spuštajte list testere u materijal koji se seče. Kada list testere počne da seče, otpustite donji štitnik. Postavite stopu tako da se ravno oslanja na površinu koja se seče i nastavite sa sečenjem prema napred do kraja reza. Sačekajte da se list testere u potpunosti zaustavi pre nego što ga izvadite iz reza. Nikada ne povlaćite testeru unazad, jer bi došlo do izdizanja lista testere iz reza i povratnog udara. Okrenite testeru i završite rez kao i obično tako što ćete sečenje obavljati u smeru prema napred. Po potrebi obradite izrezane uglove pomoću ubodne ili ručne testere.

Testerisanje dužih panela

1. Duži paneli ili ploče zahtevaju podupiranje kako bi se sprečilo njihovo savijanje ili uleganje. Ako pokušate da testerisete a da prethodno niste obavili nivelisanje niti pravilno podupiranje predmeta obrade, list

testere će se blokirati i dovesti do povratnog udara.

2. Poduprite tablu ili ploču u blizini reza. Pobrinite se da list testere podesite tako da materijal možete da sečeete a da ne zasečete sto ili radnu klupu. Predlog: koristite daske kao podupirače za ploču ili tablu koju treba da sečeete. Ako je komad previše dugačak za radnu klupu, koristite pod zajedno sa daskama za podupiranje drveta.

ODRŽAVANJE

1. Da biste se zaštitili od nezgoda, uvek isključite testeru iz struje pre bilo kakvih radova na čišćenju ili održavanju testere. Testera se najefikasnije čisti komprimovanim vazduhom. Uvek nosite zaštitne naočare kada koristite komprimovani vazduh. Ako komprimovani vazduh nije na raspolaganju, upotrebite četku da biste testeru očistili od prašine i strugotina.
2. Otvori za ventilaciju motora i ručice prekidača moraju uvek da budu čisti. Ne pokušavajte da čistite umetanjem šiljatih predmeta kroz otvore.
3. Za čišćenje plastike nikada nemojte da koristite alkalna sredstva za čišćenje, kao što su: benzin, ugljenik tetrahlorid, rastvarači za čišćenje koji sadrže hlor, amonijak i sredstva za čišćenje na bazi amonijaka. Nijedno od ovih sredstava nemojte da koristite za čišćenje testere.
4. U slučaju većeg varničenja, neka ovlašćeni servisni centar prover i/ili zameni istrošene ugljenične četkice.
5. Listovi testere se vremenom otupe, čak i kada se testerisete obično drvo. Siguran znak tupog lista testere je potreba za primenom veće sile tokom sečenja prema napred. Odnosite list testere na oštrenje u servisni centar.
6. Održavajte čistoću mašine tako da uvek bude čista.
7. U slučaju da otkrijete bilo kakvo oštećenje, proverite montažni crtež i listu delova da biste utvrdili koji rezervni deo treba da naručite od naše servisne službe.
8. Za čišćenje kućišta koristite samo vlažnu krpu. Nemojte da koristite nikakve rastvarače! Nakon toga temeljno osušite. Da bi se održavao kapacitet akumulatora, preporučujemo da se akumulator jednom mesečno u potpunosti isprazni, a zatim ponovo napuni do kraja. Skladištite samo sa napunjenim akumulatorom i povremeno dopunjujte akumulator ako je period skladištenja duži. Skladištite na suvom mestu zaštićenom od mraza, na kome ambijentalna temperatura ne prelazi 40°C.
9. U slučaju da se ošteti kabl za napajanje ovog električnog alata, mora da se zameni sličnim kablom koji se može naručiti preko servisne mreže ili od ovlašćenog kvalifikovanog serviser.
10. Iz bezbednosnih razloga, mašina se automatski isključuje ako su ugljenične četkice istrošene tako da više nemaju kontakt sa motorom. U tom slučaju je neophodno zameniti ugljenične četkice parom sličnih ugljeničnih četkica koje se mogu nabaviti preko mreže za pružanje usluga nakon prodaje ili od kvalifikovanog stručnog lica.

OPREZ: Četkice uvek moraju da se zamenjuju u paru.

OPREZ: Uvek isključite mašinu iz struje pre nego što uklonite bilo kakav poklopac električnog alata.

ZAŠTITA ŽIVOTNE SREDINE

Ne odlažite električne uređaje zajedno sa nerazvrstanim komunalnim otpadom, već ih odnesite u odgovarajuće sabirne centre. Informacije o dostupnim sistemima za sakupljanje ovog otpada potražite od lokalnih vlasti. Ako se električni uređaji odlažu na otvorenom prostoru ili deponijama, opasne supstance mogu dospeti u podzemne vode, čime se ugrožava lanac ishrane, zdravlje i kvalitet života.

GARANCIJE

Ovaj proizvod je garantovan u skladu sa zakonskim / državnim propisima, koji stupaju na snagu od dana kupovine od strane prvog korisnika. Šteta koja se može pripisati normalnom habanomu i cedanju, preopterećenju ili nepravilnom rukovanju biće isključena iz garancije. U slučaju zahteva, pošaljite mašinu, potpuno okupljenu, vašem dileru ili zvaničnom servisnom centru.

Hrvatski

OPĆE SIGURNOSNE UPUTE ZA ELEKTRIČNI UREĐAJ

Pročitajte sva sigurnosna upozorenja i upute. Nepridržavanje sigurnosnih upozorenja i uputa može dovesti do strujnog udara, požara i/ili teških ozljeda. Sačuvajte sva upozorenja i upute za svaku buduću upotrebu. Izraz "električni uređaj", koji se koristi u upozorenjima, se odnosi na električne uređaje koji rade na električnu energiju (uz pomoć električnog kabela) kao i na električne uređaje koji rade uz pomoć baterije (bez električnog kabela).

Sigurnost radnog prostora

- ▶ Održavajte prostor u kojem radite čistim i dobro osvijetljenim. Nuredna i tamna mjesta za rad mogu uzrokovati nesreće.
- ▶ Ne koristite električni uređaj u eksplozivnom okruženju, u blizini zapaljivih tekućina, plinova ili prašine. Električni uređaji stvaraju iskrenje koje može zapaliti prašinu ili pare.
- ▶ Kada koristite električni uređaj djecu i druge osobe držite na sigurnoj udaljenosti od njega. U slučaju odvlačenja pažnje možete izgubiti kontrolu nad uređajem.

Sigurnost od električne struje

- ▶ Utikač na kابلu električnog uređaja mora odgovarati utičnici. Ni u kojem slučaju ne mijenjajte utikač. Utikače s adapterom nemojte koristiti u kombinaciji s uzemljenim električnim uređajima. Nepromijenjeni utikači i odgovarajuće utičnice smanjuju opasnost od strujnog udara.
- ▶ Izbjegavajte dodir tijela s uzemljenim površinama, kao što su cijevi, grijača tijela, štednjaci ili hladnjaci. Ako je vaše tijelo uzemljeno, postoji povećana opasnost od strujnog udara.
- ▶ Ne izlažite uređaj kiši ili vlazi. Prodiranje vode u električni uređaj povećava opasnost od strujnog udara.
- ▶ Ne koristite električni kabl za prenošenje ili povlačenje alata kao ni za isključivanje utikača iz utičnice. Držite kabl podalje od pretjerane topline, oštrih rubova i/ili pokretnih dijelova. Oštećeni ili zapetljani električni kabele povećavaju opasnost od strujnog udara.
- ▶ Kada s električnim uređajem radite na otvorenom, koristite produžne kabele pogodne za vanjsku upotrebu. Upotreba kabela pogodnih za vanjsku upotrebu smanjuje opasnost od strujnog udara.
- ▶ Ukoliko nije moguće izbjeći upotrebu električnog uređaja u vlažnoj sredini, koristite zaštitnu strujnu sklopku FI/RCD. Upotreba zaštitne sklopke smanjuje opasnost od strujnog udara.

Osobna sigurnost

- ▶ -Uvijek budite na oprezu, pazite šta radite i uređaj koristite razumno. Ne koristite električni uređaj kad ste umorni ili pod utjecajem droga, alkohola ili lijekova. Trenutak nepažnje prilikom rukovanja električnim uređajem može dovesti do ozbiljnih ozljeda.
- ▶ Koristite osobnu zaštitnu opremu. Uvijek nosite zaštitne naočale. Kad koristite odgovarajuću zaštitnu opremu, kao što su maska za zaštitu od prašine, za-

štitne cipele protiv klizanja, zaštitnu kacigu ili čepiće za zaštitu sluha, ovisno o vrsti električnog alata s kojim radite, smanjujete mogućnost ozljede.

- ▶ Sprječite nenamjerno uključivanje uređaja. Prije nego što priključite uređaj na izvor napajanja i/ili bateriju, uvjerite se da je prekidač električnog uređaja u položaju „isključeno“, a isto to učinite prilikom uzimanja ili prenošenja aparata. Prenosjenjem električnog uređaja s prstom na prekidaču ili spajanjem uređaja na izvor struje dok je prekidač uređaja u položaju ON, povećavate opasnost od ozljeda.
- ▶ Prije uključivanja električnih uređaja uklonite s njih uređaje za podešavanje ili ključeve. Ostavljanje uređaja ili ključa na rotirajućem dijelu električnog uređaja može dovesti do ozljeda.
- ▶ Ne precjenjujte vlastite sposobnosti. Vodite računa da vam tijelo ima siguran oslonac i stalno održavajte ravnotežu. To omogućuje bolju kontrolu električnog uređaja u neočekivanim situacijama.
- ▶ Nosite prikladnu odjeću. Ne nosite široku odjeću ni nakit. Kosu, odjeću i rukavice držite podalje od pokretnih dijelova. Pokretni dijelovi mogu zahvatiti labavu odjeću, nakit ili dugu kosu.
- ▶ Ako je omogućeno priključivanje uređaja za usisavanje ili uklanjanje prašine, osigurajte njihovo pravilno povezivanje i upotrebu. Upotreba uređaja za usisavanje prašine može smanjiti opasnost koja može biti uzrokovana prašinom.

Brizljiva upotreba i korištenje električnim uređajima

- ▶ Nemojte preopterećivati električni uređaj. Za svaki posao koristite za njega namijenjen električni uređaj. Upotrebljavajući odgovarajući električni uređaj radite bolje i sigurnije u navedenom području rada.
- ▶ Nikada ne upotrebljavajte električni uređaj ako je prekidač na njemu pokvaren. Električni uređaj koji se više ne može isključiti ili uključiti opasan je i mora se popraviti.
- ▶ Prije podešavanja, zamjene dijelova ili pospremanja električnog uređaja, isključite utikač iz utičnice ili odstranite bateriju. Te sigurnosne preventivne mjere smanjuju opasnost od nehotičnog pokretanja električnog uređaja.
- ▶ Električne uređaje koje ne upotrebljavate pohranite izvan dohvata djece. Ne dopustite rad s uređajem osobama koje nisu upoznate s njim ili nisu pročitale ove upute. Električni uređaji opasni su ako se koriste od strane neiskusnih osoba.
- ▶ Pažljivo održavajte električni uređaj. Provjeravajte funkcioniraju li pokretni dijelovi uređaja besprijekorno, bez da blokiraju, i jesu li možda polomljeni ili oštećeni neki dijelovi koji utječu na način rada električnog uređaja. Prije ponovne uporabe, pokvareni električni uređaj odnesite na popravak. Velik broj nezgoda uzrokovan je loše održanim električnim uređajima.
- ▶ Dijelove za rezanje održavajte oštirim i čistim. Bržno održavani dijelovi za rezanje rjeđe zapinju i njima se lakše upravlja.
- ▶ Električne uređaje, dijelove, uređaje koji se umeću itd. upotrebljavajte u skladu s ovim uputama. Također obratite pažnju na uvjete rada i posao koji treba obaviti. Upotreba električnog uređaja za poslove za koje nije namijenjen može dovesti do opasnih situacija.

SERVIS

Svoj uređaj predajte na popravak isključivo kvalificiranim stručnim osobama koje koriste originalne rezervne dijelove. Time će se osigurati održavanje sigurnosti uređaja.

SIGURNOSNE UPUTE ZA KRUŽNE PILE

Postupak piljenja

- ▶ **OPASNOST:** Ne stavljajte ruke u područje piljenja ni na list pile. Drugom rukom držite dodatnu dršku ili kućište motora. Kad pilu držite objema rukama, list pile vas ne može ozlijediti.
- ▶ Ne stavljajte ruke ispod predmeta obrade. Zaštitni poklopac vas ne može zaštititi u predjelu ispod predmeta obrade.
- ▶ Dubljinu reza prilagodite debljini izratka. Ispod izratka se smije vidjeti manje od pune visine zupca lista pile.
- ▶ Izradak koji pilite nikada ne pridržavajte rukom i ne naslanjajte ga na noge. Izradak osigurajte u stabilnom prihvat. Važno je dobro učvrstiti izradak kako bi se minimalizirala opasnost od dodira s tijelom, zaglavljenja lista pile ili gubitka kontrole nad uređajem.
- ▶ Tijekom radova kod kojih alat može doći u dodir sa skrivenim strujnim kabelima ili vlastitim priključnim kabelom, električni alat držite za izolirane ručke. Kontakt s kabelom pod naponom može uzrokovati napon i u metalnim dijelovima električnog alata pod naponom te uzrokovati električni udar.
- ▶ Kod uzdužnog rezanja uvijek upotrebljavajte graničnik ili vodilicu za ravne rubove. To poboljšava preciznost reza i smanjuje mogućnost zaglavljenja lista pile.
- ▶ Uvijek upotrebljavajte listove pile prave veličine, s odgovarajućim prihvatnim provrtom (npr. u obliku romba ili okruglim). Listovi pile koji ne odgovaraju montažnim dijelovima pile, vrte se neravnomjerno i uzrokuju gubitak kontrole.
- ▶ Nikada nemojte upotrebljavati oštećene ili pogrešne podložne pločice ni vijke za listove pile. Podložne pločice i vijci za list pile konstruirani su posebno za vašu pilu te osiguravaju optimalan učinak i sigurnost pri radu.
- ▶ Povratni udaruzroci i odgovarajuće sigurnosne napomene
 - Povratni udar je nagla reakcija izazvana listom pile koji se zaglavio ili je pogrešno centriran i koji uzrokuje nekontrolirano iskakanje lista pile iz predmeta obrade i njegovo otkakanje prema rukovatelju.
 - Ako se list pile zakvači ili zaglavio u prorezu za piljenje u kojem se nalazi, blokira se, a sila motora udara pilu prema natrag, prema rukovatelju.
 - Ako se list pile u rezu zakrene ili je pogrešno poravnat, zupci stražnjeg ruba lista pile mogu se zakvačiti u površinu predmeta obrade, pri čemu postoji opasnost da list pile iskoči iz proreza za piljenje te se odskaćući prema natrag usmjeri prema rukovatelju/ici.
- ▶ Povratni udar je posljedica pogrešne ili neispravne uporabe pile te se može spriječiti prikladnim mjerama opreza kao što je opisano u nastavku.
- ▶ Pilu čvrsto uhvatite objema rukama te vodite računa o tome da vam je tijelo postavljeno tako da se može oduprijeti eventualnim povratnim udarima. Uvijek se

držite bočno od lista pile i nikada se ne postavljajte tijelom u istu ravninu s listom pile. U slučaju povratnog udara kružna pila može skočiti prema natrag, ali rukovatelj može prikladnim mjerama opreza svladati silu povratnog udara.

- ▶ Ako se list pile zaglavi ili ako prestajete s radom, isključite pilu i držite je mirno u predmetu obrade sve dok se list pile ne zaustavi. Nikada ne pokušavajte pilu izvući iz izratka niti je uklanjati iz njega, sve dok se list pile kreće, jer u suprotnom može doći do povratnog udara. Utvrdite i otklonite uzrok zaglavljenja lista pile.
- ▶ Ako želite ponovno pokrenuti pilu koja se nalazi u izratku, centrirajte list pile u prerezu za piljenje i provjerite nisu li zupci pile zaglavljeni u izratku. Ako je list pile zaglavljen, kad ponovno uključite pilu on može iskočiti iz izratka i uzrokovati povratni udar.
- ▶ Velike ploče poduprite kako biste smanjili rizik od povratnog udara zaglavljenog lista pile. Velike ploče se mogu saviti pod vlastitom težinom. Ploče moraju biti poduprte na objema stranama, kako u blizini prereza za piljenje, tako i na rubu.
- ▶ Ne upotrebljavajte tupe ili oštećene listove pile. Listovi pile s tupim ili pogrešno usmjerenim zupcima unutar preuskog otvora za piljenje dovode do povećanog trenja, zaglavljenja lista pile i povratnog udara.
- ▶ Prije piljenja pritegnite postavke dubine reza i kuta reza. Ako se postavke promijene tijekom piljenja, list pile se može zaglaviti i izazvati povratni udar.
- ▶ Budite posebno oprezni pri piljenju u postojećim zidovima ili drugim područjima koja ne možete vidjeti. Uranjajući list pile može tijekom piljenja udariti i biti blokiran od strane skrivenih objekata te izazvati povratni udar.

Funkcija donjeg zaštitnog poklopca

- ▶ Prije svake uporabe provjerite zatvara li se donji zaštitni poklopac besprijekorno. Nemojte upotrebljavati pilu, ako se donji zaštitni poklopac ne kreće slobodno i ako se odmah ne zatvara. Donji zaštitni poklopac nikada nemojte zaglavljavati niti vezati u otvorenom položaju. Ako pila slučajno padne na pod, donji zaštitni poklopac se može iskriviti. Povratnom polugom otvorite zaštitni poklopac te se uvjerite da se slobodno kreće i da kod svih kutova i dubina reza ne dodiruje ni list pile ni druge dijelove.
- ▶ Provjerite funkciju opruge za donji zaštitni poklopac. Ako donji zaštitni poklopac i opruga ne rade besprijekorno, prije uporabe organizirajte popravak pile. Oštećeni dijelovi, ljepljive naslage ili nakupine strugotine utječu na kašnjenje u radu donjeg zaštitnog poklopca.
- ▶ Donji zaštitni poklopac otvarajte rukom samo kod posebnih rezova, npr. „uronskih rezova i rezova pod kutom“. Povratnom polugom otvorite donji zaštitni poklopac i otpustite je kada list pile uroni u izradak. Kod svih ostalih radova piljenja donji zaštitni poklopac mora raditi automatski.
- ▶ Pilu ne odlažite na radni stol ili na pod, ako donji zaštitni poklopac ne pokriva list pile. Nezaštićeni list pile u pokretu pomiče pilu u smjeru suprotnom od smjera rezanja pileći sve što mu se nađe na putu. Zbog toga vodite računa o vremenu inercijskog rada lista pile.

TEHNIČKA OBILJEŽJA

Br. art.		41 344	41 345
Modell		CS 65/1500 PLUS	CS 85/2000 PLUS
	Napon	V	230-240
Frekvencija	Hz	50	50
Nazivna snaga	W	1.500	2.000
Broj okretaja bez opterećenja	min ⁻¹	5.800	5.000
Promjer lista pile	mm	Ø185	Ø235
Maksimalna dubina rezanja pod kutom od 90°	mm	65	85
Maksimalna dubina rezanja pod kutom od 45°	mm	43	56
Težina (bez pribora)	kg	4,4	6,3

Klasa zaštite □ / II

Vrijednosti emisije buke određene u skladu s EN 62841-1, EN 62841-2-5

Karakteristična razina buke uređaja određena je prema A-vrednovanoj ljestvici i iznosi:

Razina zvučnog tlaka	dB(A)	96,6	93,4
Razina zvučne snage	dB(A)	107,6	104,4
Nesigurnost K	dB	3	3

Nosite zaštitu za sluh!

Ukupne vrijednosti vibracija ah (zbroj vektora tri pravca) i nesigurnost K su određeni prema EN 62841-1, EN 62841-2-5

Ukupne vrijednosti vibracija			
a _h	m/s ²	3,37	4,73
K	m/s ²	1,5	1,5

Opis funkcija:

1. Poluga donjeg zaštitnog poklopca
2. Izlaz za prašinu
3. List pile (odabrani modeli)
4. Prekidač za laser (odabrani model)
5. Indikator napajanja (odabrani modeli)
6. Pomoćna drška (odabrani modeli)
7. Laser (odabrani modeli)
8. Regulator kuta
9. Vijak za određivanje kuta nagiba
10. Vijak za paralelni rubnik
11. Osnovna ploča
12. Paralelni rubnik
13. Vanjska prirubnica
14. Vijak za stezanje lista pile

15. Donji zaštitni poklopac
16. Tipka za zaključavanje vretena
17. Prekidač za UKLJUČIVANJE/ISKLJUČIVANJE
18. Dugme za zaključavanje
19. Glavna drška
20. Skala dubine rezanja
21. Poluga za zaključavanje prilagođene dubine

MONTIRANJE

Važno: Prije montiranja i prilagođavanja alat uvijek isključite iz struje.

Mijenjanje lista pile (3,4)

Upozorenje: Prije svih radova na prilagođavanju ili priključivanju pribora izvucite mrežni utikač iz utičnice.

1. Kružnu pilu okrenite na stranu i postavite na ravnu površinu. Preporučuje se da osnovnu ploču spustite u položaj za minimalnu dubinu rezanja, jer se tako list pile mijenja lakše.
2. Gurnite tipku za zaključavanje vretena (16) prema kućištu motora, kao što je prikazano na slici 3 i čvrsto zadržite.
3. Okrećite vijak za stezanje lista pile (14) suprotno od smjera kretanja kazaljke na satu pomoću ključa koji je isporučen uz alat.
4. Uklonite vijak za stezanje lista pile (14) i vanjsku prirubnicu (13).
5. Podignite donji zaštitni poklopac (15) uz pomoć poluge za donji zaštitni poklopac (1), a zatim uklonite list pile.
7. Očistite prirubnice lista pile, a zatim montirajte novi list pile na izlazno vreteno i nasuprot unutrašnjoj prirubnici.
8. Uvjerite se da su zupci pile i strelica na listu pile okrenuti u istom smjeru kao strelica na donjem zaštitnom poklopcu.
9. Ponovno montirajte vanjsku prirubnicu i zategnite vijak za stezanje lista pile.
10. Uvjerite se da se list pile neometano kreće okrećući ga rukom.

Prilagođavanje dubine (5)

1. Popustite polugu za zaključavanje prilagođene dubine (21).
2. Osnovnu ploču postavite ravno u odnosu na rub predmeta obrade i podižite tijelo pile dok list pile ne dođe na odgovarajuću dubinu koja se očitava na skali dubine rezanja (20) (poravnajte liniju skale).
3. Zategnite ručicu za zaključavanje prilagođene dubine.

Određivanje kuta (6)

1. Popustite vijak za određivanje kuta nagiba (9).
2. Podesite stopu na željeni kut između 0° i 45°. [Pogledajte dio Regulator kuta (8)].
3. Zategnite vijak za određivanje kuta nagiba.

Uključivanje i isključivanje (7)

Prije uključivanja uz pomoć prekidača za UKLJUČIVANJE / ISKLJUČIVANJE provjerite je li list pile ispravno montiran, kreće li se nesmetano i je li vijak za stezanje lista dobro zategnut.

1. Uključite mrežni utikač u struju; indikator napajanja (5) će ostati upaljen sve dok se alat ne isključi iz struje.

2. Da biste uključili kružnu pilu, pritisnite dugme za zaključavanje (18) te istovremeno stisnite prekidač za UKLJUČIVANJE/ISKLJUČIVANJE (17).
3. Kada otpustite prekidač (17), alat se isključuje.

Prilagođavanje paralelnog rezanja (8)

1. Popustite vijak za prilagođavanje paralelnog rubnika (10).
2. Gurnite paralelni rubnik (12) kroz proreze u stopi kako biste prilagodili željenu širinu.
3. Zategnite vijak za zaključavanje da biste ga zaključali u tom položaju.
4. Pobrinite se da paralelni rubnik bude oslonjen na drvo cijelom svojom dužinom kako bi osigurao paralelno rezanje.

Aktiviranje lasera (7)

Upozorenje: Ne gledajte direktno u lasersku zraku, ne usmjeravajte zraku namjerno prema ljudima i pobrinite se da se zraka ne usmjerava prema očima duže od 0,25 s. Kada predmet obrade treba rezati po ravnoj liniji, laserska linija će vam pomoći da postignete bolje poravnanje.

Uključivanje: Pritisnite prekidač za laser (4). Laser (7) se aktivira.

Isključivanje: Ponovno pritisnite prekidač.

1. Uvjerite se da se linija lasera poklapa sa linijom za rezanje označenom na radnom predmetu.
2. Odredite kut rezanja prema potrebi
3. Uključite uređaj u struju i pokrenite motor.
4. Kada list pile dostigne maksimalnu brzinu (približno 2 sekunde), postavite pilu na predmet obrade.
5. Uključite laser pomoću prekidača za laser (4).
7. Poravnajte lasersku zraku sa označenom linijom rezanja na predmetu obrade i postupni gurajte pilu objema rukama održavajući crvenu lasersku zraku na označenoj liniji.
8. Kada završite sa rezanjem isključite lasersku zraku.

RAD

Piljenje opće namjene

1. Kada započinjete, uvijek rukom držite jednom rukom ručku pile, a drugom rukom pomoćnu dršku (6). Nikada ne forsirajte pilu, nego održavajte lagani, konstantni pritisak. Po završetku rezanja sačekajte da se pila u potpunosti zaustavi. U slučaju prekida tijekom rezanja, nastavite rezanje tako što ćete prvo sačekati da list pile postigne punu brzinu, a zatim ga polako ponovno umetnite u rez.
2. Kada režete duž teksture drveta, vlakna drveta imaju tendenciju podizanja i pucanja. Postupno pomicanje pile svodi ovaj učinak na najmanju mjeru.

Izrezivanje džepova

1. Prije obavljanja bilo kakvog podešavanja na pili, izvucite mrežni utikač iz utičnice. Prilagodite dubinu na osnovu dubljine reza. Podignite donji štيتnik uz pomoć poluge za podizanje.
2. Postavivši list pile iznad samog materijala koji želite rezati pokrenite pilu i sačekajte da list pile postigne punu brzinu. Prednjim dijelom podnožja, kao točkom rotacije, postupno spuštajte list pile u materi-

jal koji režete. Kada list pile počne rezati, otpustite donji zaštitni poklopac. Postavite podnožje tako da se ravno oslanja na površinu koja se reže i nastavite sa rezanjem prema naprijed do kraja reza. Sačekajte da se list pile u potpunosti zaustavi prije nego što ga izvadite iz reza. Nikada ne povlačite pilu unatrag, jer bi došlo do dizanja lista pile iz reza i povratnog udara. Okrenite pilu i završite rez kao i obično tako što ćete rezanje obavljati u smjeru prema naprijed. Po potrebi obradite izrezane kutove uz pomoć ubodne ili ručne pile.

Piljenje velikih panela

1. Veliki paneli ili ploče zahtijevaju podupiranje kako bi se spriječilo njihovo savijanje ili ulegnuće. Ako pokušate piliti, a da prethodno niste obavili niveliranje niti pravilno podupiranje predmeta obrade, list pile će se blokirati i izazvati povratni udar.
2. Poduprite drvenu plohu u blizini reza. Pobrinite se da list pile podesite tako da materijal možete rezati a da ne zasijete stol ili radnu klupu. Prijedlog: upotrijebite 2x4" ploče kako biste poduprli plohu koju trebate rezati. Ako je ploha koju trebate rezati previše dugačka za radnu klupu, za njeno podupiranje koristite pod zajedno sa 2x4" pločama.

ODRŽAVANJE

1. Da biste se zaštitili od nezgoda, uvijek isključite pilu iz struje prije bilo kakvih radova na čišćenju ili održavanju pile. Pila se najefikasnije čisti komprimiranim zrakom. Uvijek nosite zaštitne naočale kada upotrebljavate komprimirani zrak. Ako nemate komprimiranog zraka na raspolaganju, da biste pilu očistili od prašine i strugotina upotrijebite četku.
3. Otvori za ventilaciju motora i ručice prekidača moraju uvijek biti čisti te neometani stranim tijelima. Ne pokušavajte čistiti umetanjem šiljastih predmeta kroz otvore.
4. Za čišćenje plastike nikada nemojte koristiti alkalna sredstva za čišćenje, kao što su: benzin, ugljikov tetraklorid, otapala za čišćenje koja sadrže klor, amonijak i sredstva za čišćenje na bazi amonijaka. Nijedno od ovih sredstava nemojte koristiti za čišćenje pile.
5. U slučaju većeg oštećenja, neka ovlašteni servisni centar provjeri i/ili zamijeni istrošene karbonske četkice.
6. Listovi pile s vremenom otupe, čak i kada se pili obično drvo. Siguran znak tupog lista pile je potreba za primjenom veće sile tijekom rezanja prema naprijed. Odnosite list pile na oštrenje u servisni centar.
7. Održavajte čistoću uređaja tako da uvijek bude čist.
8. U slučaju da otkrijete bilo kakvo oštećenje, provjerite tehnički crtež i listu dijelova da biste utvrdili koji rezervni dio trebate naručiti od naše servisne službe.
9. Za čišćenje kućišta koristite samo vlažnu krpu. Nemojte koristiti nikakva otapala! Nakon toga temeljito osušite. Da bi se održavao kapacitet baterije, preporučujemo da se baterija jednom mjesečno u potpunosti isprazni, a zatim ponovno napuni do kraja. Skladištite samo sa napunjenom baterijom i povremeno dopunjujte bateriju ako je period skladištenja duži. Skladištite na suhom mjestu zaštićenom od studeni, na kojem okolna temperatura ne

prelazi 40°C.

10. U slučaju da se ošteti kabel za napajanje ovog električnog alata, kabel se mora zamijeniti sličnim kablom koji se može naručiti preko servisne mreže ili od ovlaštenog kvalificiranog servisera.
11. Iz sigurnosnih razloga, uređaj se automatski isključuje ako su karbonske četkice istrošene tako da više nemaju kontakt s motorom. U tom slučaju je neophodno zamijeniti ugljikove četkice parom sličnih karbonskih četkica koje se mogu nabaviti preko mreže za pružanje usluga nakon prodaje ili od kvalificirane stručne osobe.

PAŽNJA: Četkice se uvijek moraju zamjenjivati u paru.

PAŽNJA: Uvijek isključite uređaj iz struje prije nego što uklonite bilo kakav poklopac električnog alata.

ZAŠTITA OKOLIŠA

Ne odlažite svoje električne uređaje zajedno sa nerazvrstanim komunalnim otpadom. Odnosite ih u odgovarajuće reciklažne centre. Informacije o dostupnim sistemima za sakupljanje ovakve vrste otpada potražite od lokalnih vlasti. Ako se električni uređaji odlažu na otvorenom prostoru ili deponijima, opasne supstance mogu dospjeti u podzemne vode, čime se ugrožava lanac ishrane, zdravlje i kvaliteta života.

JAMSTVO

Ovaj je proizvod zajamčen u skladu sa zakonskim propisima / propisima specifičnim za državu, koji stupaju na snagu od datuma kupnje od strane prvog korisnika. Oštećenja koja se pripisuju uobičajenom trošenju, preopterećenju ili nepravilnom rukovanju bit će isključena iz jamstva. U slučaju potraživanja, pošaljite stroj, potpuno montiran, vašem prodavaču ili službenom servisnom centru.

Română

INDICAȚII GENERALE DE AVERTIZARE PENTRU SCULE ELECTRICE

Citiți toate indicațiile de avertizare și instrucțiunile. Nerespectarea indicațiilor de avertizare și a instrucțiunilor poate provoca electrocutare, incendii și/sau răniri grave.

Păstrați toate indicațiile de avertizare și instrucțiunile în vederea utilizărilor viitoare. Termenul de „sculă electrică” folosit în indicațiile de avertizare se referă la sculele electrice alimentate de la rețea (cu cablu de alimentare) și la sculele electrice cu acumulator (fără cablu de alimentare).

Significația la locul de muncă

- ▶ Mențineți-vă sectorul de lucru curat și bine iluminat. Dezordinea sau scotoarele de lucru neluminate pot duce la accidente.
- ▶ Nu lucrați cu scula electrică în mediu cu pericol de explozie, în care există lichide, gaze sau pulberi inflamabile. Sculele electrice generează scântei care pot aprinde praful sau vaporii.
- ▶ Nu permiteți accesul copiilor și al altor persoane în timpul utilizării sculei electrice. Dacă vă este distrasă atenția puteți pierde controlul asupra mașinii.

Siguranță electrică

- ▶ Ștecherul sculei electrice trebuie să fie potrivit prizei electrice. Nu este în nici un caz permisă modificarea ștecherului. Nu folosiți fișe adaptoare la sculele electrice legate la pământ de protecție. Ștecherule nemedificate și prizele corespunzătoare diminuează riscul de electrocutare.
- ▶ Evitați contactul corporal cu suprafețe legate la pământ ca țevi, instalații de încălzire, sobe și frigider. Există un risc crescut de electrocutare atunci când corpul vă este legat la pământ.
- ▶ Feriți mașina de ploaie sau umezeală. Pătrunderea apei într-o sculă electrică mărește riscul de electrocutare.
- ▶ Nu schimbați destinația cablului folosindu-l pentru transportarea sau suspendarea sculei electrice ori pentru a trage ștecherul afară din priză. Feriți cablul de căldură, ulei, muchii ascuțite sau componente aflate în mișcare. Cablurile deteriorate sau încurcate măresc riscul de electrocutare.
- ▶ Atunci când lucrați cu o sculă electrică în aer liber, folosiți numai cabluri prelungitoare adecvate și pentru mediul exterior. Folosirea unui cablu prelungitor adecvat pentru mediul exterior diminuează riscul de electrocutare.
- ▶ Atunci când nu poate fi evitată utilizarea sculei electrice în mediu umez, folosiți un întrerupător automat de protecție împotriva tensiunilor periculoase. Întrebuițarea unui întrerupător automat de protecție împotriva tensiunilor periculoase reduce riscul de electrocutare.

Siguranța persoanelor

- ▶ Fiți atenți, aveți grijă de ceea ce faceți și procedați rațional atunci când lucrați cu o sculă electrică. Nu folosiți scula electrică atunci când sunteți obosiți sau vă aflați sub influența drogurilor, a alcoolului

sau a medicamentelor. Un moment de neatenție în timpul utilizării mașinii poate duce la răniri grave.

- ▶ Purtați echipament personal de protecție și întotdeauna ochelari de protecție. Purtarea echipamentului personal de protecție, ca masca pentru praf, încălțăminte de siguranță antiderapantă, casca de protecție sau protecția auditivă, în funcție de tipul și utilizarea sculei electrice, diminuează riscul rănirilor.
- ▶ Evitați o punere în funcțiune involuntară. Înainte de a introduce ștecherul în priză și/sau de a introduce acumulatorul în scula electrică, de a o ridica sau de a o transporta, asigurați-vă că aceasta este oprită. Dacă atunci când transportați scula electrică țineți degetul pe întrerupător sau dacă porniți scula electrică înainte de a o racorda la rețeaua de curent, puteți provoca accidente.
- ▶ Înainte de pornirea sculei electrice îndepărtați dispozitivele de reglare sau cheile fixe din aceasta. Un dispozitiv sau o cheie lăsată într-o componentă de mașină care se rotește poate duce la răniri.
- ▶ Evitați o ținută corporală nefirească. Adoptați o poziție stabilă și mențineți-vă întotdeauna echilibrul. Astfel veți putea controla mai bine mașina în situații neașteptate.
- ▶ Purtați îmbrăcăminte adecvată. Nu purtați îmbrăcăminte largă sau podoabe. Feriți părul, îmbrăcăminte și mânușile de piesele aflate în mișcare. Îmbrăcăminte largă, părul lung sau podoabele pot fi prinse în piesele aflate în mișcare.
- ▶ Dacă pot fi montate echipamente de aspirare și colectare a prafului, asigurați-vă că acestea sunt racordate și folosite în mod corect. Folosirea unei instalații de aspirare a prafului poate duce la reducerea poluării cu praf.

Utilizarea și manevrarea atentă a sculelor electrice

- ▶ Nu suprasolicitați mașina. Folosiți pentru executarea lucrării dv. scula electrică destinată aceluși scop. Cu scula electrică potrivită lucrați mai bine și mai sigur în domeniul de putere indicat.
- ▶ Nu folosiți scula electrică dacă acestea are întrerupător defect. O sculă electrică, care nu mai poate fi pornită sau oprită, este periculoasă și trebuie reparată.
- ▶ Scoateți ștecherul afară din priză și/sau îndepărtați acumulatorul, înainte de a executa reglaje, a schimba accesoriu sau de a pune mașina la o parte. Această măsură de prevedere împiedică pornirea involuntară a sculei electrice.
- ▶ Păstrați sculele electrice nefolosite la loc inaccesibil copiilor. Nu lăsați să lucreze cu mașina persoane care nu sunt familiarizate cu aceasta sau care nu au citit aceste instrucțiuni. Sculele electrice devin periculoase atunci când sunt folosite de persoane lipsite de experiență.
- ▶ Întrețineți-vă scula electrică cu grijă. Controlați dacă componentele mobile ale sculei electrice funcționează impecabil și dacă nu se blochează, sau dacă există piese rupte sau deteriorate astfel încât să afecteze funcționarea sculei electrice. Înainte de utilizare dați la reparat piesele deteriorate. Cauza multor accidente a fost întreținerea necorespunzătoare a sculelor electrice.
- ▶ Mențineți bine ascuțite și curate dispozitivele de

tăiere. Dispozitivele de tăiere întreținute cu grijă, cu tăisuri ascuțite se înțepenesc în mai mică măsură și pot fi conduse mai ușor.

- ▶ Folosiți scula electrică, accesoriile, dispozitivele de lucru etc. conform prezentelor instrucțiuni. Țineți cont de condițiile de lucru și de activitatea care trebuie desfășurată. Folosirea sculelor electrice în alt scop decât pentru utilizările prevăzute, poate duce la situații periculoase.

Service

Încredințați scula electrică pentru reparare numai personalului de specialitate, calificat în acest scop, repararea făcându-se numai cu piese de schimb originale. Astfel veți fi siguri că este menținută siguranța mașinii.

INDICAȚII PRIVIND SIGURANȚA PENTRU FERĂSTRĂILE CIRCULARE

Proces de tăiere

- ▶ **PERICOL:** Țineți mâinile departe de zona de tăiere și de pânda de ferăstrău. Cea de-a doua mână țineți-o pe mânerul suplimentar sau pe carcasa motorului. Dacă țineți ambele mâini pe ferăstrăul circular, pânda de ferăstrău nu le poate răni.
- ▶ Nu introduceți mâna sub piesa de lucru. Apărătorea nu vă poate proteja sub piesa de lucru.
- ▶ Adaptați adâncimea de tăiere la grosimea piesei de lucru. Sub piesa de lucru ar trebui să se poată vedea mai puțin decât înălțimea întreagă a unui dinte.
- ▶ Nu fixați niciodată piesa de lucru ce urmează a fi tăiată ținând-o în mână sau pe picior. Asigurați piesa de lucru prin fixare într-un sistem de prindere stabil. Este important să fixați bine piesa de lucru, pentru a reduce la minimum pericolul de contact corporal, blocare a pânzei de ferăstrău sau de pierdere a controlului asupra acesteia.
- ▶ Prindeți scula electrică numai de suprafețele de prindere izolate atunci când executați lucrări pe parcursul cărora accesoriul poate nimeri conductorii electrici ascunși sau propriul cablu de alimentare. Contactul cu un cablu aflat sub tensiune poate pune sub tensiune și componentele metalice ale sculei electrice și duce la electrocutare.
- ▶ La tăierea longitudinală folosiți întotdeauna un opritor sau un limitator paralel pentru margini. Acesta sporește precizia de tăiere și diminuează posibilitatea blocării pânzei de ferăstrău.
- ▶ Folosiți întotdeauna pânze de ferăstrău de dimensiunile corecte și cu orificiu de prindere potrivit (de ex. în formă de stea sau rotund). Pânzele de ferăstrău care nu pot fi fixate strâns în piesele de montaj ale ferăstrăului, se rotesc neuniform și duc la pierderea controlului.
- ▶ Nu folosiți niciodată șaibe sau șuruburi deteriorate sau greșite pentru prinderea pânelor de ferăstrău. Șaibele și șuruburile pentru prinderea pânelor de ferăstrău au fost concepute special pentru ferăstrăul dumneavoastră, în vederea atingerii unor performanțe și a unei siguranțe optime în exploatare.
- ▶ Recul - Cauze și instrucțiuni de siguranță corespunzătoare
 - reculul este reacția bruscă care apare atunci când pânda de ferăstrău se agață, se blochează sau este

orientată greșit, ceea ce face ca un ferăstrău necontrolat să se ridice și să iasă din piesa de lucru, deplasându-se în direcția operatorului;

- atunci când pânda de ferăstrău se agață sau se înclătează în fanta de tăiere care se închide, ea se blochează iar forța motorului aruncă ferăstrăul înapoi, în direcția operatorului;
- în cazul în care pânda de ferăstrău este răscuită sau orientată greșit în fanta de tăiere, dinții marginii posterioare a pânzei de ferăstrău se pot agața în în suprafața piesei de lucru, ceea ce face ca pânda de ferăstrău să iasă din fanta de tăiere și ferăstrăul să sară înapoi, în direcția operatorului. Reculul este consecința utilizării greșite sau defectuoase a ferăstrăului. El poate fi împiedicat prin măsuri preventive adecvate, precum cele descrise în continuare.
- ▶ Apucați strâns ferăstrăul cu ambele mâini și aduceți-vă brațele într-o poziție, în care să reziste forțelor de recul. Staționați întotdeauna lateral față de pânda de ferăstrău, nu aduceți niciodată pânda de ferăstrău pe aceeași linie cu corpul dv. În caz de recul ferăstrăul poate sări înapoi, însă operatorul are posibilitatea de a stăpâni forțele de recul prin adoptarea unor măsuri preventive adecvate.
- ▶ În cazul în care pânda de ferăstrău se blochează sau dacă dumneavoastră întrerupeți lucrul, deconectați ferăstrăul și imobilizați piesa de lucru, până când ferăstrăul se oprește complet din funcționare. Nu încercați în niciun caz să îndepărtați piesa de lucru sau să o trageți înapoi, cât timp pânda de ferăstrău se mai mișcă încă, în caz contrar putându-se produce recul. Stabiliiți și îndepărtați cauza blocării pânzei de ferăstrău.
- ▶ Atunci când doriți să reporniți ferăstrăul rămas în piesa de lucru, centrați pânda de ferăstrău în făgașul de tăiere și verificați dacă dinții acesteia nu sunt agațați în piesa de lucru. Dacă pânda de ferăstrău este înțepenită, ea poate ieși afară din piesa de lucru sau provoca un recul la repornirea ferăstrăului.
- ▶ Sprijiniți plăcile mari pentru a diminua riscul unui recul provocat de o pânda de ferăstrău înțepenită. Plăcile mari se pot încovoia sub propria greutate. Plăcile trebuie sprijinite pe ambele laturi, atât în apropierea făgașului de tăiere cât și pe margine.
- ▶ Nu folosiți pânze de ferăstrău tocite sau deteriorate. Pânzele de ferăstrău cu dinți tociți sau aliniați greșit produc, din cauza făgașului de tăiere prea îngust, o frecare crescută, înțepenirea pânzei de ferăstrău și recul.
- ▶ Înainte de tăiere fixați prin strângere dispozitivele de reglare a adâncimii și a unghiului de tăiere. Dacă în timpul tăierii reglajele se modifică, pânda de ferăstrău se poate înțepenii și provoca apariția reculului.
- ▶ Fiți extrem de precauți la tăierea pereților sau a altor sectoare lipsite de vizibilitate. Pânda de ferăstrău care intră în material se poate bloca în obiecte ascunse și provoca un recul.

Funcționarea apărătoarei inferioare

- ▶ Înainte de fiecare întrebuințare, verificați dacă apărătoarea inferioară se închide impecabil. Nu folosiți ferăstrăul dacă apărătoarea inferioară nu se poate mișca liber și nu se închide instantaneu. Nu fixați și

nu legați niciodată apărătoarea inferioară în poziție deschisă. Dacă ferăstrăul cade accidental pe jos, apărătoarea inferioară se poate îndoi. Deschideți apărătoarea inferioară cu maneta de retragere și asigurați-vă că se poate mișca liber și că, în toate unghiurile și adâncimile de tăiere, nu atinge nici pânza de ferăstrău, nici celelalte componente.

- ▶ Verificați funcționarea arcului apărătorii inferioare. Înainte de întrebuițare întrețineți ferăstrăul în caz că apărătoarea inferioară și arcul nu lucrează impecabil. Componentele deteriorate, depunerile vâscoase sau aglomerările de așchii produc funcționarea întârziată a apărătorii inferioare.
- ▶ Deschideți cu mâna apărătoarea inferioară numai în cazul tăierilor speciale, ca „tăierile cu intrare directă în material și tăierile unghiulare”. Deschideți apărătoarea inferioară cu maneta de retragere și eliberați-o pe cea din urmă de îndată ce pânza de ferăstrău pătrunde în piesa de lucru. La toate celelalte lucrări de debitare apărătoarea inferioară trebuie să funcționeze automat.
- ▶ Nu puneți ferăstrăul pe bancul de lucru sau pe podea, fără ca apărătoarea inferioară să acopere pânza de ferăstrău. O pânză de ferăstrău neprotejată, care se mai învâрте din inerție, mișcă ferăstrăul în sens contrar direcției de tăiere și taie tot ce îi stă în cale. Respectați timpul necesar opririi ferăstrăului după acționarea întrerupătorului.

SPECIFICAȚIE TEHNICĂ:

Număr de identificare		41 344	41 345
Model		CS 65/1500 PLUS	CS 85/2000 PLUS
Tensiune	V	230-240	230-240
Frecvență	Hz	50	50
Putere nominală	W	1.500	2.000
Viteză fără sarcină	min ⁻¹	5.800	5.000
Viteză fără sarcină	mm	Ø185	Ø235
Adâncime max. de tăiere 90°	mm	65	85
Adâncime max. de tăiere 45°	mm	43	56
Greutate (fără accesorii) aprox.	kg	4,4	6,3
Clasă de protecție		□ / II	
Valorile zgomotului emis au fost determinate conform EN 62841-1, EN 62841-2-5			
Nivelul de zgomot evaluat A al mașinii este în mod normal de			
Nivel presiune sonoră	dB(A)	96,6	93,4

Nivel putere sonoră	dB(A)	107,6	104,4
Incertitudine K	dB	3	3

Purtați protecție auditivă!

Valorile totale ale vibrațiilor a_h (suma vectorială a trei direcții) și incertitudinea K au fost determinate conform EN 62841-1, EN 62841-2-5

Valorile totale ale vibrațiilor:

a _h	m/s ²	3,37	4,73
K	m/s ²	1,5	1,5

Descriere funcțională:

1. Mâner de protecție inferioară
2. Orificiu de extragere a prafului
3. Lamă de fierăstrău (anumite modele)
4. Comutator generator de laser (anumite modele)
5. Indicator pornire (anumite modele)
6. Mâner auxiliar (anumite modele)
7. Generator de laser (anumite modele)
8. Scală calibru
9. Buton de blocare pentru reglarea unghiului
10. Buton de blocare pentru ghidajul paralel
11. Placă de bază
12. Ghidaj paralel
13. Flanșă exterioară
14. Bolț clemă lamă
15. Protecție inferioară
16. Buton blocare ax
17. Comutator ON/OFF (pornire/oprire)
18. Buton de deblocare
19. Mâner principal
20. Adâncimea scalei de tăiere
21. Mâner de blocare pentru reglarea adâncimii

ASAMBLARE

Important: Înainte de orice asamblare și reglare, deconectați întotdeauna echipamentul.

Înlocuirea lamei (3, 4)

Avertisment: Deconectați întotdeauna stecherul de la rețeaua de alimentare înainte de a face orice reglaj sau de a conecta orice accesorii.

1. Poziționați acest fierăstrău circular pe o parte, pe o suprafață plată. Vă recomandăm să coborâți placa de bază până la o tăiere de adâncime minimă pentru a vă fi ușor să înlocuiți lama.
2. Împingeți butonul de blocare a axului **16** spre carcasa motorului, după cum ilustrează săgeata din Fig. 3 și țineți-l ferm.
3. Rotiți bolțul clemei lamei **14** în sens invers acelor de ceasornic, folosind cheia fixă care este furnizată împreună cu echipamentul.
4. Scoateți șurubul clemei lamei **14** și flanșa exterioară **13**.
5. Ridicați protecția inferioară **15** folosind mânerul protecției inferioare **1** și apoi scoateți lama fierăstrăului.
6. Curățați flanșele lamei de fierăstrău, apoi montați noua lamă de fierăstrău pe axul de ieșire și contra flanșei interioare.

- Asigurați-vă că dinții ferăstrăului și săgeata de pe lamă sunt pe aceeași direcție cu săgeata de pe protecția inferioară.
- Montați la loc flanșa exterioră și strângeți bolțul clemei lamei.
- Asigurați-vă că lama de fierăstrău funcționează liber, rotind lama manual.

Reglarea adâncimii (5)

- Slăbiți mânerul de blocare pentru reglarea adâncimii **21**.
- Țineți placa de bază plată contra marginii piesei de prelucrat și ridicați corpul fierăstrăului până în momentul în care lama ajunge la adâncimea corect determinată de scala de tăiere **20** (aliniați linia scalei).
- Strângeți mânerul de blocare pentru reglarea adâncimii.

Reglarea unghiului (6)

- Slăbiți butonul de blocare pentru reglarea unghiului **9**.
- Reglați sabotul la unghiul dorit între 0° și 45°. [Consultați scala calibrului **8**].
- Strângeți butonul de blocare pentru reglarea unghiului.

Pornirea și oprirea (7)

Înainte de a acționa comutatorul ON/OFF (pornire/oprire), verificați ca lama fierăstrăului să fie montată în mod corespunzător și să funcționeze fără nicio problemă, bolțul clemei lamei fiind strâns bine.

- Conectați ștecherul la sursa de alimentare, indicatorul de pornire **5** este aprins până în momentul în care echipamentul este deconectat de la rețeaua de alimentare.
- Pentru a porni fierăstrăul circular, apăsați butonul de deblocare **18** și trageți de declanșatorul comutatorului ON/OFF (pornire/oprire) **17**.
- Când eliberați declanșatorul comutatorului **17**, echipamentul se oprește.

Reglarea tăierii paralele (8)

- Slăbiți butonul de blocare a ghidajului de margine **10**.
- Glisați ghidajul paralel **12** prin fantele din sabot până la lățimea dorită.
- Strângeți bolțul de blocare pentru a-l monta în poziție.
- Asigurați-vă că tot ghidajul de margine se sprijină de lemn pe toată lungimea acestuia pentru a asigura tăierii paralele consecutive.

Generator linie laser (7)

Avertismente: Nu vă uitați în direcția fascicului de laser, nu îndreptați intenționat fascicului către personal și asigurați-vă că acesta nu este îndreptat spre ochii unei persoane mai mult de 0,25 s. Când realizați linia tăieturii pe piesa prelucrată, linia generatorului de laser vă poate ajuta să obțineți o aliniere mai bună.

Pornire: Apăsați comutatorul generatorului de laser **4**; generatorul de laser **7** funcționează.

Oprire: Apăsați din nou comutatorul.

- Verificați dacă linia laserului este aliniată cu linia

de tăiere așa cum este marcată pe piesa de lucru.

- Reglați unghiul de tăiere după cum este necesar
- Introduceți aparatul în priză și porniți motorul
- Când lama ajunge la viteza maximă (în aproximativ 2 secunde), poziționați fierăstrăul pe piesa ce trebuie prelucrată.
- Porniți generatorul de laser din deschiderea laser folosind comutatorul generatorului de laser **4**.
- Aliniați fasciculi cu marcajul de pe piesa de prelucrat și apăsați încet fierăstrăul înainte folosind ambele mâini, menținând fasciculi luminos roșu pe marcaj.
- Oprți fasciculi de laser la finalizarea operațiunii de tăiere.

FUNCȚIONARE

Tăiere generală

- La pornire, țineți întotdeauna mânerul fierăstrăului cu o mână și mânerul auxiliar **6** cu cealaltă mână. Nu forțați niciodată fierăstrăul, ci mențineți o presiune ușoară și continuați până după finalizarea tăierii pentru a permite fierăstrăului să se oprească de tot. Dacă tăierea este întreruptă, relații tăierea permițând lamei să ajungă la viteza maximă și apoi intrați în tăietură ușor.
- Când tăiați transversal, fibrele de lemn au tendința să se ridice și să se rupă, mișcarea ușoară a fierăstrăului reduce la minim acest efect.

Tăiere de buzunar

- Deconectați ștecherul de la sursa de alimentare înainte de a face orice reglare. Setati reglajul de adâncime în funcție de grosimea liniei desenate pentru tăiere. Ridicați protecția inferioară folosind mânerul de ridicare.
- Cu lama ușor deasupra materialului ce urmează a fi tăiat, porniți fierăstrăul și permiteți lamei să ajungă la viteza maximă. Coborâți treptat lama până la materialul ce urmează a fi tăiat, folosind marginea din față a sabotului ca punct de pivotare. Când lama începe să taie, eliberați protecția inferioară. Când sabotul se sprijină plat pe suprafața care este supusă tăierii, continuați cu tăierea pe direcție înainte, până la finalul tăierii. Permiteți lamei să se oprească în totalitate înainte de a o scoate din tăietură. Nu trageți niciodată în spate de fierăstrău, deoarece lama va ieși din tăietură și va avea loc un recul. Rotiți fierăstrăul și terminați tăietura în mod normal, deplasând fierăstrăul înainte. Folosind un fierăstrău mecanic sau un fierăstrău manual, finalizați tăierea la colțuri, dacă este necesar.

Tăierea plăcilor mari

- Bucățile sau plăcile mari au nevoie de sprijin pentru a preveni îndoirea sau încovoierea. Dacă încercați să efectuați tăierea fără să puneți totul la nivel și fără să sprijiniți piesa prelucrată, lama va tinde să facă priză, provocând reculul.
- Sprijiniți bucata sau placa aproape de locul în care efectuați tăierea. Asigurați-vă că setați reglajul lamei astfel încât să puteți tăia materialul fără a tăia masa sau banul de lucru. Sugestie: folosiți bucăți de scândură groasă de 2 țoli și late

de 4 țoli pentru a sprijin panoul sau bucata ce urmează a fi tăiată. Dacă bucata este prea mare pentru bancul de lucru, folosiți podeaua cu bucați de scândură groasă de 2 țoli și late de 4 țoli pentru a susține lemnul.

ÎNȚREȚINERE

1. Pentru a preveni accidentele, deconectați întotdeauna fierăstrăul de la sursa de alimentare înainte de curățare sau de a efectua orice intervenție de întreținere; fierăstrăul poate fi curățat cel mai eficient folosind aerul comprimat. Purtați întotdeauna ochelari de protecție atunci când utilizați aerul comprimat. Dacă nu este disponibil aerul comprimat, utilizați o perie pentru a îndepărta praful și așchiile de pe fierăstrău.
2. Orificiile de ventilație ale motorului și mânerul de comutare trebuie să fie păstrate curate și lipsite de obiecte străine. Nu încercați să efectuați curățarea introducând obiecte ascuțite prin deschideri.
3. Nu folosiți niciodată agenți caustici pentru a curăța componentele din plastic. Cum ar fi: benzină, tetraclorură de carbon, solvenți de curățare pe bază de clor, amoniac și detergenți pentru uz casnic care conțin amoniac. Nu folosiți niciuna dintre aceste substanțe pentru a curăța fierăstrăul.
4. Solicitați unui centru de service autorizat să examineze și/sau să înlocuiască periile de carbon uzate în cazul parcării excesive.
5. Lamele se tocesc chiar și atunci când tăiați chereștea obișnuită, un semn clar de lamă tocită fiind necesitatea de a forța fierăstrăul înainte în loc să îl ghidați în timp ce efectuați o tăiere. Duceți lama la un centru de service pentru ascuțire.
6. Păstrați aparatul curat în orice moment.
7. În cazul în care constatați vreo deteriorare, consultați desenul explodat și lista de piese pentru a stabili cu exactitate ce piesă de schimb vă este necesară pentru a fi comandată de la departamentul servicii clienți.
8. Curățați carcasa numai cu o cârpă umedă. Nu folosiți niciun tip de solvent! Uscați complet apoi. Pentru a menține capacitatea bateriei, vă recomandăm ca bateria să fie complet descărcată o dată pe lună și încărcată complet din nou. Nu depozitați cu bateria încărcată complet, ci completați din când în când încărcarea dacă depozitați aparatul o perioadă lungă de timp. Depozitați într-un loc uscat și ferit de îngheț, în care temperatură ambiantă nu trebuie să depășească 40°C.
9. În cazul în care cablul de alimentare al acestui echipament se deteriorează, trebuie înlocuit cu un cablu asemănător disponibil prin intermediul organizației de service sau de la un tehnician autorizat calificat.
10. Din motive de siguranță, aparatul se oprește automat dacă periile de carbon sunt atât de uzate încât nu mai intră în contact cu motorul. În acest caz, periile de carbon trebuie înlocuite cu o perie de carbon asemănătoare, disponibilă prin intermediul organizației de service post-vânzare sau al unei persoane calificate din domeniu.

ATENȚIE: Periile trebuie să fie înlocuite întotdeauna în perechi.

ATENȚIE: Deconectați întotdeauna aparatul de la sursa de alimentare înainte de a scoate orice capac de la componente electrice.

ZAȘTITA OKOLIŠA

Nu eliminați aparatura electrică drept deșeuri municipale nesortate, folosiți unitățile de colectare diferențiată. Contactați administrația locală pentru informații cu privire la sistemele de colectare disponibile. Dacă aparatura electrică este eliminată la depozite sau gropi de deșeuri, substanțele periculoase se pot scurge în apa subterană și pot ajunge în lanțul alimentar, prejudiciind sănătatea și starea dvs. de bine.

JAMSTVO

Ovaj je proizvod zajamčen u skladu sa zakonskim propisima / propisima specifičnim za državu, koji stupaju na snagu od datuma kupnje od strane prvog korisnika. Oštećenja koja se pripisuju uobičajenom trošenju, preopterećenju ili nepravilnom rukovanju bit će isključena iz jamstva. U slučaju potraživanja, pošaljite stroj, potpuno montiran, vašem prodavaču ili službenom servisnom centru.

Magyar

ÁLTALÁNOS MUNKAVÉDELMI SZABÁLYOK

Olvassa el az alábbi összes utasítást. Az itt felsorolt utasítások elolvasásának elmulasztása áramütéshez, tűz keletkezéséhez és/vagy súlyos személyi sérüléshez vezethet. Az utasításokban említett „elektromos kiscső” kifejezés alatt mindenfajta hálózati áramról működtetett (vezetékes) vagy akkumulátorról működtetett (vezeték nélküli), gépi meghajtású szerszám értendő.

A munkavégzés környezete

- ▶ Tartsa tisztán a munkaterületet, és gondoskodjon annak jó megvilágításáról. A rendetlen, sötét munkaterület kihívja a sérülésveszélyt.
- ▶ Tilos az elektromos kiscsöveket robbanásveszélyes környezetben, azaz gyúlékony folyadékok, gázok vagy porok jelenlétében működtetni. Az elektromos kiscsővek szikráznak, amiktől könnyen meggyulladhat a por vagy gáz.
- ▶ Az elektromos kiscső működtetése közben tartsa távol a gyermekeket és bárméskodókat. A figyelemterelő tényezők hatására a gépkezelő könnyen elveszítheti uralmát a gép fölött.

Elektromos biztonság

- ▶ Az elektromos kiscső csatlakozódugaszának bele kell illesznie a hálózati aljzatba. Tilos a csatlakozódugasz bármilyen módon átalakítani. A földelt elektromos kiscsövekhez nem szabad adaptert használni. Az átalakításlan csatlakozódugaszok és hozzájuk illeszkedő hálózati aljzatok használatával csökkenthető az áramütésveszély.
- ▶ Kerülje a földelt felületeket – pl. csövek, hőszugárzók, tűzhelyek és hűtőszekrények – testi érintését. Az emberi test földelése esetén fokozódik az áramütés kockázata.
- ▶ Tilos az elektromos kiscsövet eső vagy nedvesség hatásának kiténni. Ha az elektromos kiscső belsejébe víz kerül, az fokozza az áramütés veszélyét.
- ▶ A csatlakozózsínórral nem szabad rosszul bánni. Tilos a gépet a csatlakozózsínórjánál fogva vinni vagy húzni, illetve a gépet a zsinór rángatásával leoldani a csatlakozójatról. Óvja a csatlakozózsínórt a hőtől, az olajszenyvedéstől, az éles peremektől és a mozgó alkatrészek közelségétől. A sérült vagy összegebancolódott csatlakozózsínór használata fokozza az áramütésveszélyt.
- ▶ Elektromos kiscsövek kültérben történő üzemeltetéséhez csak kültéri használatra alkalmas hosszabító zsinórt szabad használni. A kültéri használatra alkalmas hosszabbító zsinór alkalmazása csökkenti az áramütésveszélyt.

Személyi biztonság

- ▶ Elektromos kiscsövek működtetése közben mindig legyen éber, figyeljen oda arra, amit csinál, és használja a józan esztét. Ne használjon elektromos kiscsöveket, ha fáradt, illetve amikor kábitószert, alkoholt vagy gyógyszer hatása alatt áll. Elektromos kiscsövek üzemeltetésekor egyetlen pillanatnyi figyelmetlenség is súlyos személyi sérüléshez vezethet.
- ▶ Használjon védőfelszereléseket. Kiscsövek

használatakor mindig viseljen védőszemüveget. A megfelelő körülmények között használt védőfelszerelések – úgymint porvédő maszk, csúszásmentes védőlábellen, kemény védősisak vagy fülvédő – csökkentik a személyi sérülés kockázatát.

- ▶ Kerülje az elektromos kiscső véletlenszerű beindítását. A hálózathoz történő csatlakoztatás előtt győződjön meg a gép kikapcsolt állapotáról. Ha újjával a kapcsolón viszi az elektromos kiscsövet egyik helyről a másikra, vagy a kapcsoló BE állásában csatlakoztatja a hálózati aljzathoz, könnyen balesetet szenvedhet.
- ▶ Mielőtt bekapcsolná az elektromos kiscsövet, távolítsa el belőle a beállító és csavarulcsokat. Ha egy csavarulcs valamelyik Forgó alkatrészhez erősítve benne marad az elektromos kiscsőben, az személyi sérüléshez vezethet.
- ▶ Ne nyúljon túl a gép messzire. Mindig ügyeljen arra, hogy szilárd alapon álljon, és megőrizhesse az egyensúlyát. Ezáltal váratlan helyzetekben könnyebben uralma alatt tarthatja az elektromos kiscsövet.
- ▶ Viseljen megfelelő ruházatot. Nem szabad bő ruhát vagy ékszereket viselni. Ügyeljen arra, hogy a haja, ruházata és kesztyűje ne kerüljön a mozgó alkatrészek közelébe. A bő ruha, ékszer vagy hosszú haj könnyen beakadhat a mozgó alkatrészek közé.
- ▶ Ha a gép fel van szerelve porlevélvívó vagy porlevélvívó berendezés csatlakoztatására szolgáló csőcsomókkal, gondoskodjon ilyen berendezés csatlakoztatásáról és rendeltetészerű használatáról. Az ilyen eszközök használata mérsékeli a porral kapcsolatos veszélyeket.

Az elektromos kiscső használata és karbantartása

- ▶ Ne erőltesse az elektromos kiscsövet. Mindig a konkrét alkalmazásnak megfelelő elektromos kiscsövet válassza. A rendeltetészerű sebességgel használja és az alkalmazásnak megfelelően kiválasztott elektromos kiscső jobban és biztonságosabban végzi el a munkafeladatot.
- ▶ Nem szabad használni azt az elektromos kiscsövet, amelyet a kapcsolója nem képes ki- és bekapcsolni. A kapcsolójával nem vezérelhető elektromos kiscső használata veszélyes. Az ilyen kiscsövet meg kell javíttatni.
- ▶ Mielőtt az elektromos kiscsőben bármiféle beállításokat végezne, tartozékokat cserélne benne vagy használaton kívül helyezné, húzza ki a gép csatlakozózsínórt a hálózati aljzatról és/vagy vegye ki az akkumulátoregységet a gépből. Ezek a biztonsági óvintézkedések csökkentik az elektromos kiscső véletlenszerű beindításának kockázatát.
- ▶ A használaton kívüli elektromos kiscsöveket tartsa gyermekek számára hozzáférhetetlen helyen, és ne engedje olyan személyeknek használni, akik a gépet vagy ezeket az utasításokat nem ismerik. Avatatlanságban az elektromos kiscsövek veszélyesek.
- ▶ Gondosan tartsa karban az elektromos kiscsöveket. Ellenőrizze a mozgó alkatrészek helyzetbeállítását és akadálytalan mozgását; ellenőrizze, hogy nincs-e törött alkatrész; továbbá ellenőrizzen minden olyan körülményt, amely befolyásolhatja az elektromos kiscső működését. Használatbavétel előtt javíttassa meg a sérült elektromos kiscsövet. Az elektromos

kisgépek elégtelen karbantartása számos balesetet okoz.

- ▶ Tartsa a vágásra szolgáló szerszámokat és gépeket megélezve és tisztán. A megfelelően karbantartott, éles vágóélékkel rendelkező vágóberendezések használatakor kisebb a szerszám elakadásának valószínűsége, és könnyebb irányítani a gépet.
- ▶ Az elektromos kisgépet, annak tartozékait és szerszámait mindig a jelen utasításokkal összhangban és az adott géptípus rendeltetésének megfelelő módon használja, figyelembe véve a munkavégzési körülményeket és az elvégzendő munkafeladatot is. Az elektromos kisgép nem rendeltetészerű felhasználása veszélyhelyzetek kialakulását eredményezheti.

Javítás

Elektromos kisgépeit mindig szakemberrel, és kizárólag az eredetivel azonos típusú cserearlaktrészek felhasználásával javíttassa. Ez biztosítja az elektromos kisgépek biztonságos voltának megerősítését.

BIZTONSÁGI ELŐÍRÁSOK KÖRFŰRÉSZEKRE

Vágási folyamatok

- ▶ **VESZÉLY:** Tartsa távol a kezeit a vágási területtől és a pengétől. A másik kezével fogja a segédmarkolatot vagy a motorházat. Ha mindkét kézzel a fűrészet fogja, nem vághatja meg a penge.
- ▶ Ne nyúljon a munkadarab alá. A védőrész nem tudja Önt megvédeni a munkadarab alatt lévő pengétől.
- ▶ Állítsa a vágásmélységet a munkadarab vastagságához. A pengefogazatból kevesebb mint egy teljes fog látszódjon a munkadarab alatt.
- ▶ Ne tartsa a kezében vagy a lábán keresztbe azt a darabot, amit éppen vág. Rögzítse a munkadarabot stabil felületre. Fontos a munka megfelelő támogatása a test kitértségének, a penge hajlásának vagy a kontrollvesztés minimalizálása érdekében.
- ▶ A gépet csak a szigetelt felületeknél fogja, amikor műveletet hajt végre, mert a gép rejtett vezetékhez vagy a saját zsinórjához érhet. Ha a kitétt fémrészek áram alatt lévő vezetékkel érintkeznek, maguk is áram alá kerülhetnek és áramütést okozhatnak a kezelőnél.
- ▶ Amikor vág, mindig használjon hasítókerítést vagy egyenes pengevezetőt. Ez növeli a vágás pontosságát és csökkenti a penge elhajlásának veszélyét.
- ▶ Mindig a megfelelő méretű és formájú pengét használja (gyémánt vs. kerék) a munkalyukakhoz. A pengék, amik nem illeszkednek a fűrész szerelési hardveréhez, kiugorhatnak, és kontrollvesztést okozhatnak.
- ▶ Soha se használjon rongálódott vagy nem megfelelő pengemosót vagy csavart. A pengemosók és csavarok speciálisan lettek a fűrészhez tervezve az optimális teljesítményért és biztonságos működésért.
- ▶ Hátrarúgás és vonatkozó figyelmeztetések
 - A hátrarúgás hirtelen reakció arra, ha a penge becsípődik, beragad vagy kisiklik, ami miatt a kontrollálatlan fűrész felemelkedhet és kiugorhat a munkadarabból és a kezelő felé repülhet;
 - Amikor a penge becsípődik vagy szorosan beragad

a bevágásnál lezárva, a penge elakad, és a motor reakciója a gépet gyorsan a kezelő felé repítheti;

- Ha a penge megcsavarodik vagy félresiklik a vágatban, a penge hátsó élén lévő fogak belevághatnak a fa felső felületébe, ami miatt a penge kiugorhat a vágatból, és a kezelő felé repülhet. A hátrarúgás a fűrész helytelen használatának következménye, ami elkerülhető a lenti óvintézkedések megfelelő betartásával.
- ▶ Szorosan markolja meg mindkét kezével a fűrész, és helyezze úgy a karjait, hogy ellenálljanak a hátrarúgás erőinek. A testét a penge egyik oldalára helyezze, de ne a penge vonalába. A hátrarúgás azt okozhatja, hogy a fűrész hátraugrik, de a hátrarúgás erőket uralhatja a kezelő, ha megfelelő óvintézkedéseket tesz.
- ▶ Ha a penge elakad, vagy amikor valamilyen okból megszakítja a vágást, engedje el a kioldó kapcsolót, és tartsa a fűrész mozdatlanul az anyagban, amíg a penge teljesen le nem áll. Soha ne kísérelje meg eltávolítani a fűrész a munkadarabból, vagy hátrahúzni azt, amíg a penge mozog vagy hátrarúgás veszélye áll fenn. Vizsgálja meg és korrigálja, hogy megszüntesse a penge elakadásának okait.
- ▶ Amikor újraindítja a fűrész a munkadarabban, központozza a fűrészpengét a bevágásba, és ellenőrizze, hogy a fűrészfogak nem akadnak el az anyagban. Ha elakadt a penge, kiugorhat vagy hátrarúghat, amikor újraindítjuk.
- ▶ Támassza alá a nagy paneleket, hogy minimalizálja a penge becsípődésének vagy a hátrarúgásnak a kockázatát. A nagy panelek meg szoktak ereszkedni a saját súlyuk alatt. Az alátámasztás mindkét oldalra kell a panel alá, a vágásvonalhoz közel, és a panel széléhez is közel.
- ▶ Ne használjon tompa vagy sérült pengéket. Az éleetlen vagy nem megfelelően beállított pengék szűk bevágást eredményezhetnek, ami túlzott súrlódást, pengeelakadást és hátrarúgást okozhat.
- ▶ A pengemélység és a szögbeállítás záró karok szorosan és biztonságosan kell, hogy rögzítve legyenek a vágás megkezdése előtt. Ha a penge beállítása elmozdul vágás közben, elakadhat vagy hátrarúghat.
- ▶ Különös óvatossággal járjon el, amikor meglévő falakba vagy más vak területekbe vág. A behatoló penge olyan tárgyakat vághat meg, amik hátrarúgást okozhatnak.

Alacsonyabb védelem funkció

- ▶ Ellenőrizze minden használat előtt, hogy az alacsonyabb védelem megfelelően zár-e. Ne használja a fűrész, ha az alacsonyabb védelem nem mozog szabadon vagy nem zár azonnal. Ne rögzítse soha az alacsonyabb védelmet nyitott pozícióba. Ha véletlenül elejtí a fűrész, az alacsonyabb védelem meghajolhat. Emelje meg az alacsonyabb védelmet a visszahúzó markolattal, és győződjön meg arról, hogy szabadon mozog, és nem érinti a pengét vagy más részt, minden szögben és vágási mélységben.
- ▶ Ellenőrizze azt alacsonyabb védelem rugójának működését. Ha a védelem és a rugó nem működnek megfelelően, használat előtt meg kell javítani. Az alacsonyabb védelem lassan működhet a sérült alkatrészek, gumitartalom letétek vagy a felhalmozódott törmelék miatt.
- ▶ Az alacsonyabb védelem visszahúzható manuálisan,

speciális vágásokhoz (pl. zuhanóvágás és szögben vágás). Emelje meg az alacsonyabb védelmet a markolat visszahúzásával, és amint a penge belép az anyagba, engedje el az alacsonyabb védelmet. Minden más fűrészelési művelethez az alacsonyabb védelemnek automatikusan kell működnie.

- ▶ Mindig nézze meg, hogy az alacsonyabb védelem fed-e a pengét, mielőtt a fűrész letesz egy padra vagy a padlóra. Egy védtelen, elszabaduló penge hátrarúgást okozhat, elvágva mindent, ami az újtá-
ba kerül. Ne feledje, hogy a pengének időre van szüksége a leálláshoz, miután kikapcsolta.

TECHNIKAI SPECIFIKÁCIÓ:

Cikkszám		41 344	41 345
Modell		CS 65/1500 PLUS	CS 85/2000 PLUS
Feszültség/ frekvencia	V Hz	230-240 50	230-240 50
Teljesítmény	W	1.500	2.000
Üresjárat sebesség	min ⁻¹	5.800	5.000
Pengeméret	mm	Ø185	Ø235
Max. vágásmélység 90°-nál	mm	65	85
Max. vágásmélység 45°-nál	mm	43	56
Tömeg kb. (alkatrészek nélkül)	kg	4,4	6,3
Védettségi osztály		□/	
Hangkibocsátási értékek, EN 62841-1, EN 62841-2-5 által meghatározva			
A termék tipikus A-súlyozású zajszintjei:			
Hangnyomásszint	dB(A)	96,6	93,4
Hangerőszint	dB(A)	107,6	104,4
K bizonytalanság	dB	3	3
Viseljen fülvédőt!			
Rezgési összérték ah (háromtagú vektorösszeg) és K bizonytalanság, EN 62841-1, EN 62841-2-5 alapján, meghatározva			
Rezgési összértékek:			
a _h	m/s ²	3,37	4,73
K	m/s ²	1,5	1,5

Funkcionális leírás:

1. Az alsó védőkar karja
2. Porelszívó kimenet
3. Fűrészlap (egyes modelleknél)
4. Lézer generátor kapcsoló (egyes modellek)
5. Bekapcsolásjelző (egyes modelleknél)
6. Segédfohantgyű (egyes modelleknél)
7. Lézer generátor (egyes modellek)
8. Süvegskála
9. Rögzítőgomb a szög beállításához
10. Rögzítőgomb a párhuzamos vezetőhöz
11. Alaplemez
12. Párhuzamos vezető
13. Külső karima
14. Penge szorítócsavar
15. Alsó védőburkolat
16. Orsó reteszelő gomb
17. BE/ KI kapcsoló
18. Zárógomb
19. Fő fogantyú
20. A vágási skála mélysége
21. Karrögzítő a mélység beállításához

ÖSSZESZERELÉS

Fontos: Minden szerelés és beállítás előtt mindig húzza ki a szerszámot a hálózatból.

A penge cseréje (3, 4)

Figyelem: Mielőtt bármilyen beállítást elvégezne vagy bármilyen tartozékot csatlakoztatna, mindig húzza ki a csatlakozót az áramforrásból. Ne használjon súroló kereket.

1. Helyezze ezt a körfűrész sík felületre az oldalán. Javasoljuk, hogy úgy hozza le az alaplemez, mintha a legkisebb mélységű vágás lenne könnyen kezelhető.
2. Nyomja meg az orsó reteszelő gombját 16 a motorház felé, ahogy a nyíl a 3. ábrán látható, és erősen fogja meg.
3. Forgassa el a penge rögzítőcsavarját 14 az óramutató járásával ellentétes irányba a szerszámhoz mellékelt imbuszkulccsal.
4. Távolítsa el a penge szorítócsavarját és a külső peremet 14.
5. Emelje meg az alsó védőburkolatot 12 az 1 alsó védőkar karjával, majd távolítsa el a fűrészlapot.
6. Tisztítsa meg a fűrészlap peremét, majd szerelje fel az új fűrészlapot a kimenő orsóra és a belső karimára.
7. Győződjön meg arról, hogy a fűrészfogak és a nyíl a fűrészlapon megegyezik az alsó védőlemez nyílával.
8. Helyezze vissza a külső peremet, és húzza meg a penge szorítócsavarját.
9. Győződjön meg arról, hogy a fűrészlap szabadon mozog-e, a pengét kézzel forgatva.

Mélységbeállítás (5)

1. Lazítsa meg a reteszelő kart a mélység beállításához 21.
2. Tartsa az alaplemez laposan a munkadarab szélénél, és emelje fel a fűrész testét, amíg a penge a 20-as vágási mélység által meghatározott megfelelő mélységbe nem kerül (igazítsa a skála vonalát).
3. Húzza meg a reteszelő kart a mélység beállításához

Szögbeállítás (6)

1. Lazítsa ki a zárógombot a szög beállításához 9.
1. Állítsa be a papucsot a kívánt szögre 0 ° és 45 ° között [Lásd a 8. gémérleget].
3. Húzza meg a rögzítógombot a szög beállításához

Be- és kikapcsolás (7)

Az ON / OFF kapcsoló bekapcsolása előtt ellenőrizze, hogy a fűrészlap megfelelően van-e felszerelve és zökkenőmentesen működik-e, a penge szorítócsavarja jól meg van-e húzva.

1. Csatlakoztassa a csatlakozót a tápfeszültséghez, az 5 bekapcsolásjelző addig világít, amíg a szerszám le nem válik az elektromos hálózatról.
2. A kőfűrész bekapcsolásához nyomja meg a 18 reteszelő gombot, és húzza meg a BE / KI kapcsoló 17 kioldóját.
3. Amikor elengedi a kapcsoló 17 ravaszát, a szerszám kikapcsol.

Párhuzamosvágás-beállítás (8)

1. Lazítsa meg a 10 élvezető reteszelő gombját.
1. Csúsztassa a párhuzamos 12 vezetőt a papucs részén a kívánt szélességre.
2. Húzza meg a rögzítőcsavart, hogy rögzítse a helyzetében.
3. Ügyeljen arra, hogy az élvezető teljes hosszában a fának támaszkodjon, hogy egyenletes párhuzamos vágásokat kapjon.

Lézervonal generátor (7)

Figyelmeztetések: Ne bámuljon közvetlenül a lézersugarba, ne irányítsa a nyalábot szándékosan a személyzet felé, és ügyeljen arra, hogy 0,25 másodpercnél hosszabb ideig ne irányuljon az ember szeme felé. Amikor a munkadarabon elkészíti a vágás vonalát, a lézervonal-generátor segíthet a jobb igazításban.

Bekapcsolás: Nyomja meg a 4 lézer generátor kapcsolót, a 7 lézer generátor működik.

Kikapcsolás: Nyomja meg ismét a kapcsolót.

1. Ellenőrizze, hogy a lézervonal igazodik-e a munkadarabon feltüntetett vágási vonalhoz.
2. Állítsa be a vágási szöget az igényeinek megfelelően.
3. Csatlakoztassa a gépet és indítsa be a motort.
4. Amikor a penge maximális sebességgel (kb. 2 másodperc) van, helyezze a fűrész a munkadarabra.
5. Kapcsolja be a lézergenerátort a lézernyílásból a lézergenerátor kapcsolóval 4.
6. Igazítsa a sugarat a munkadarabon lévő jelhez, és lassan tolja előre a fűrész mindkét kezével, miközben a piros fénysugár a jelölőn marad.
7. A vágás befejeztével kapcsolja ki a lézersugarat.

MŰKÖDÉS

Általános vágás

1. Indításkor mindig az egyik kezével fogja meg a fűrészfogantyút, a másik kezével pedig az 5 kiegészítő fogantyút. Soha ne erőltesse a fűrész, de gyakoroljon enyhé és folyamatos nyomást a vágás befejezése után, hogy a fűrész teljesen leálljon. Ha a vágás megszakad, folytassa

a vágást úgy, hogy a penge teljes sebességet ér el, majd lassan folytassa a vágást.

2. A maghán való átvágáskor a fa rostjai hajlamosak felemelkedni és szakadni, a fűrész mozgatása lassan minimalizálja ezt a hatást.

Zsebvágás

1. A beállítások elvégzése előtt húzza ki a csatlakozót az áramforrásból. Állítsa be a mélység-beállítást a vágás vonalrajzának vastagsága alapján. Emelje meg az alsó védőt az emelőkarral.
2. Ha a penge alig van a vágandó anyag felett, indítsa el a fűrész, és hagyja, hogy a penge teljes sebességgel fusson. Fokozatosan engedje le a pengét a vágandó anyagra, a papucs elülső végét használva elfordulási pontként. Amikor a penge elkezd vágni, engedje el az alsó védőburkolatot. Amikor a papucs laposan nyugszik a vágott felületen, folytassa a vágást előre a vágás végéig. Hagyja, hogy a penge teljesen leálljon, mielőtt kivinné a vágásból. Soha ne húzza hátra a fűrész, mert a penge kijön a vágásból, és visszarúgás következik be. Fordítsa meg a fűrész és végezze el a vágást normál módon, előre fűrészelve. Szükség esetén használjon dekopírfűrész vagy kézfűrész a sarkokban történő vágás befejezéséhez.

Nagy lapok vágása

1. A nagy lapok vagy táblák támaszt igényelnek a meghajlások vagy megereszkedések megakadályozása érdekében. Ha a munkadarab színtézése és megfelelő megtámasztása nélkül próbál vágni, a penge hajlamos megkötni, és visszarúgást okoz.
2. Távolítsa el a panelt vagy a táblát a vágás közelében. Ügyeljen arra, hogy a penge beállítását úgy állítsa be, hogy átvághassa az anyagot anélkül, hogy belevágna az asztalba vagy a munkapadba. Javaslat: használjon kettőt-négyet a vágandó tábla vagy panel megtámasztására. Ha a darab túl nagy a munkapadhoz, akkor használja a padlót úgy, hogy a kettő négyes megtámassza a fát.

KARBANTARTÁS

1. A balesetek elkerülése érdekében tisztítás karbantartás előtt mindig húzza ki a fűrész az áramforrásból, és a fűrész sűrített levegővel lehet a leghatékonyabban megtisztítani. Sűrített levegő használata esetén mindig viseljen védőszemüveget. Ha sűrített levegő nem áll rendelkezésre, kefével távolítsa el a fűrészről a port és a forgácsot.
2. A motor szellőzőnyílásait és a kapcsolókarokat tisztán és idegen anyagtól mentesen kell tartani. Ne tisztítson hegyes tárgyakkal bepiszkálva a nyílásokon keresztül.
3. Soha ne használjon marószert a műanyag alkatrészek tisztításához. Ilyenek: benzín, szén-tetraklorid, klórozott tisztítószer, ammónia és ammóniát tartalmazó háztartási tisztítószer. Ezek egyikét se használja a fűrész tisztításához.

4. Тъл сок използването извън работното място е забранено, тъй като това може да доведе до токов удар, пожар и/или тежки травми.
5. А пеленгът е нормален за работното място. Ако е повреден, той трябва да бъде заменен с нов. Не използвайте пеленга, ако е повреден, тъй като това може да доведе до токов удар, пожар и/или тежки травми.
6. Минимално трябва да се поддържа работното място в добро състояние.
7. Ако е повреден, той трябва да бъде заменен с нов. Не използвайте пеленга, ако е повреден, тъй като това може да доведе до токов удар, пожар и/или тежки травми.
8. Ако е повреден, той трябва да бъде заменен с нов. Не използвайте пеленга, ако е повреден, тъй като това може да доведе до токов удар, пожар и/или тежки травми.
9. Ако е повреден, той трябва да бъде заменен с нов. Не използвайте пеленга, ако е повреден, тъй като това може да доведе до токов удар, пожар и/или тежки травми.
10. Ако е повреден, той трябва да бъде заменен с нов. Не използвайте пеленга, ако е повреден, тъй като това може да доведе до токов удар, пожар и/или тежки травми.

ВИГЪВАТ: А кефетите трябва да се почистват редовно.
ВИГЪВАТ: А електронни компоненти трябва да се почистват редовно.

ИЗПОЛЗВАНИ КОМПОНЕНТИ И ЗАМЕННИ ЧАСТИ

А електронни компоненти трябва да се почистват редовно. Ако е повреден, той трябва да бъде заменен с нов. Не използвайте пеленга, ако е повреден, тъй като това може да доведе до токов удар, пожар и/или тежки травми.

ГАРАНЦИЯ

Ез е термът за работното място. Ако е повреден, той трябва да бъде заменен с нов. Не използвайте пеленга, ако е повреден, тъй като това може да доведе до токов удар, пожар и/или тежки травми.

Български

ОБЩИ УКАЗАНИЯ ЗА БЕЗОПАСНА РАБОТА

Прочетете внимателно всички указания. Неспазването на приведените по-долу указания може да доведе до токов удар, пожар и/или тежки травми. Съхранявайте тези указания на сигурно място. Използвайте по-долу термин «електроинструмент» се отнася до захранване от електрическата мрежа електроинструменти (със захранващ кабел) и до захранване от акумулаторна батерия електроинструменти (без захранващ кабел).

Безопасност на работното място

- Поддържайте работното си място чисто и добре осветено. Безпорядъкът и недостатъчното осветление могат да спомогнат за възникването на трудова злополука.
- Не работете с електроинструмента в среда с повишена опасност от възникване на експлозия, в близост до леснозапалими течности, газове или прахообразни материали. По време на работа в електроинструментите се отделят искри, които могат да възпламенят прахообразни материали или пари.
- Дръжте деца и странични лица на безопасно разстояние, докато работите с електроинструмента. Ако вниманието Ви бъде отклонено, може да загубите контрола над електроинструмента.

Безопасност при работа с електрически ток

- Щепселът на електроинструмента трябва да е подходящ за ползвания контакт. В никакъв случай не се допуска изменение на конструкцията на щепсела. Когато работите със занулени електроуреди, не използвайте адаптери за щепсела. Ползването на оригинални щепсели и контакти намалява риска от възникване на токов удар.
- ЕИЗбягвайте допира на тялото Ви до заземени тела, напр. тръби, отоплителни уреди, пещи и хладилници. Когато тялото Ви е заземено, рискът от възникване на токов удар е по-голям.
- ФПредпазвайте електроинструмента си от дъжд и влага. Проникването на вода в електроинструмента повишава опасността от токов удар.
- Не използвайте захранващ кабел за цели, за които той не е предвиден, напр. за да носите електроинструмента за кабела или да извадите щепсела от контакта. Предпазвайте кабела от нагряване, омасляване, допир до остри ръбове или до подвижни звена на машини. Повредени или усукани кабели увеличават риска от възникване на токов удар.
- Когато работите с електроинструмент навън, използвайте само удължителни кабели, подходящи за работа на открито. Използването на удължител, предназначен за работа на открито, намалява риска от възникване на токов удар.
- Ако се налага използването на електроинструмента във влажна среда, използвайте предпазен прекъсвач за утечни токове. Използването на предпазен прекъсвач за утечни токове намалява опасността от възникване на токов удар.

Безопасен начин на работа

- ▶ Бъдете концентрирани, следете внимателно действията си и постъпвайте предпазливо и разумно. Не използвайте електроинструмента, когато сте уморени или под влиянието на наркотични вещества, алкохол или упойващи лекарства. Един миг разсеяност при работа с електроинструмент може да има за следствие изключително тежки наранявания.
- ▶ Работете с предпазващо работно облекло и винаги с предпазни очила. Носенето на подходящи за ползвания електроинструмент и извършваната дейност лични предпазни средства, като дихателна маска, здрави плътнотзатоворени обувки със стабилен грайфер, защитна каска или шумозаглушители (антифони), намалява риска от възникване на трудова злополука.
- ▶ Избягвайте опасността от включване на електроинструмента по невнимание. Преди да включите щепсела в захранващата мрежа или да поставите акумулаторната батерия, се уверявайте, че пусковият прекъсвач е в положение «изключено». Ако, когато носите електроинструмента, държите пръста си върху пусковия прекъсвач, или ако подавате захранващо напрежение на електроинструмента, когато е включен, съществува опасност от възникване на трудова злополука.
- ▶ Преди да включите електроинструмента, се уверявайте, че сте отстранили от него всички помощни инструменти и гаечни ключове. Помощен инструмент, забравен на въртящо се звено, може да причини травми.
- ▶ Избягвайте неестествените положения на тялото. Работете в стабилно положение на тялото и във всеки момент поддържайте равновесие. Така ще можете да контролирате електроинструмента по-добре и безопасно, ако възникне неочаквана ситуация.
- ▶ Работете с подходящо облекло. Не работете с широки дрехи или украшения. Дръжте косата си, дрехите и ръкавици на безопасно разстояние от въртящи се звена на електроинструментите. Широки дрехи, украшенията, дългите коси могат да бъдат захванати и увлечени от въртящи се звена.
- ▶ Ако е възможно използването на външна аспирационна система, се уверявайте, че тя е включена и функционира изправно. Използването на аспирационна система намалява рисковете, дължащи се на отделящата се при работа прах.

Грижливо отношение към електроинструментите

- ▶ Не претоварвайте електроинструмента. Използвайте електроинструментите само съобразно тяхното предназначение. Ще работите по-добре и по-безопасно, когато използвате подходящия електроинструмент в зададения от производителя диапазон на натоварване.
- ▶ Не използвайте електроинструмент, чиито пусков прекъсвач е повреден. Електроинструмент, който не може да бъде изключван и включван по предвидения от производителя начин, е опасен и трябва да бъде ремонтиран.
- ▶ Преди да промените настройките на електроинструмента, да замените работни инструменти и допълнителни приспособления, както и когато

продължително време няма да използвате електроинструмента, изключвайте щепсела от захранващата мрежа и/или изваждайте акумулаторната батерия. Тази мярка премахва опасността от действие на електроинструмента по невнимание.

- ▶ Съхранявайте електроинструментите на места, където не могат да бъдат достигнати от деца. Не допускайте те да бъдат използвани от лица, които не са запознати с начина на работа с тях и не са прочели тези инструкции. Когато са в ръцете на неопитни потребители, електроинструментите могат да бъдат изключително опасни.
- ▶ Поддържайте електроинструментите си грижливо. Проверявайте дали подвижните звена функционират безукорно, дали не заклинват, дали има счупени или повредени детайли, които нарушават или изменят функциите на електроинструмента. Преди да използвате електроинструмента, се погрижете повредените детайли да бъдат ремонтирани. Много от трудовете злополуки се дължат на по-добре поддържани електроинструменти и уреди.
- ▶ Поддържайте режещите инструменти винаги добре заточени и чисти. Добре поддържаните режещи инструменти с остри ръбове оказват по-малко съпротивление и се водят по-леко.
- ▶ Използвайте електроинструментите, допълнителните приспособления, работните инструменти и т.н., съобразно инструкциите на производителя. При това се съобразявайте и с конкретните работни условия и операции, които трябва да изпълните. Използването на електроинструменти за различни от предвидените от производителя приложения повишава опасността от възникване на трудова злополука.

Поддържане

Допускайте ремонтът на електроинструментите Ви да се извършва само от квалифицирани специалисти и само с използването на оригинални резервни части. По този начин се гарантира съхраняване на безопасността на електроинструмента.

УКАЗАНИЯ ЗА БЕЗОПАСНА РАБОТА С ЦИРКУЛЯРИ

Техника на рязане

- ▶ ОПАСНОСТ: дръжте ръцете си на разстояние от зоната на рязане и от циркулярния диск. С втората си ръка дръжте спомагателната ръкохватка или корпуса на електродвигателя. Когато държите циркуляр с двете си ръце, няма опасност да ги нараните с режещия диск.
- ▶ Не поставяйте ръцете си под детайла. Предпазният кожух не може да Ви защити в зоната под обработвания детайл.
- ▶ Регулирайте дълбочината на рязане съобразно дебелината на стената на обработвания детайл. От обратната страна на детайла дискът трябва да се подава на разстояние, по-малко от една височина на зъба.
- ▶ Никога не дръжте разрязвания детайл на ръка или притиснат към крака си. Осигурявайте детайла, като го захващате в стабилно приспособление. За да ограничите опасността от влизане в съприкос-

новение с тялото, заклиняване на режещия диск или загуба на контрол над електроинструмента, е важно да застопорите обработвания детайл добре.

- ▶ Когато съществува опасност по време на работния инструмент да засегне скрити под повърхността проводници под напрежение или охраняващия кабел, допирайте електроинструмента само до изолираните ръкохватки. При контакт с проводник под напрежение то се предава по металните елементи на електроинструмента, което води до токов удар.
- ▶ При надлъжно разрязване винаги използвайте опора или прав направляващ ръб. Режещи дискове, които не пасват точно на монтажните елементи на електроинструмента, при имат биене и могат да доведат до загуба на контрол над електроинструмента.
- ▶ Използвайте винаги циркулярни дискове, които са с посочените размери и подходящ присъединителен отвор (напр. ромбоиден или кръгъл). Циркулярни дискове, които не пасват на монтажните елементи на циркуляра, по време на работа бият и водят до загуба на контрол над електроинструмента.
- ▶ Никога не използвайте повредени или неподходящи подложни шайби или винтове за режещия диск. Подложните шайби и винтовете са проектирани специално за Вашия циркуляр и осигуряват оптимални производителност и сигурност при работа.
- ▶ Откат - причини за възникване и мерки за предотвратяване
 - Откатът е внезапна реакция вследствие на качане, заклиняване или неправилно ориентиране на работния инструмент, което води до неконтролируемо отскачане на триона в посока от разрязвания детайл към работещия с електроинструмента;
 - ако циркулярният диск се закачи или заклени в затварящата се междинна на среза, той се блокира внезапно, а инерцията на електродвигателя оттласква циркуляра по посока на работещия с електроинструмента;
 - ако циркулярният диск бъде усукан или насочен неправилно в междината на среза, зъби от задния ръб могат да се закачат в повърхността на разрязвания детайл, вследствие на което циркулярният диск отскача от междината на среза по посока работещия с електроинструмента. Откатът възниква като резултат от неправилното боравене с електроинструмента. Това може да бъде избегнато чрез взимането на подходящи предпазни мерки, както е описано по-долу.
- ▶ Дръжте циркуляра здраво с двете ръце и заемайте положение, при което ръцете Ви са насочени да противодействат на евентуално възникнал откат. Тялото Ви трябва да е разположено странично на равнината на въртене на диска, никога не поставяйте режещия диск в една равнина с тялото си. При възникване на откат циркулярът може да отскочи назад, но при взимане на подходящи предпазни мерки работещият с него може да овладее отката.
- ▶ Ако режещият диск се заклени или прекъснете работа, изключете ръчния циркуляр и го задържете неподвижен в междината, докато режещият диск

спре да се върти. Не се опитвайте да извадите ръчния циркуляр от детайла или да го издърпате назад, докато дискът се върти, в противен случай може да възникне откат. Открийте и отстранете причината за заклиняването на режещия диск.

- ▶ Ако искате да включите циркуляра, докато той е в детайла, центрирайте режещия диск в междината и предварително се уверете, че зъбите не допират до детайла. Ако режещият диск се заклени, при включване на циркуляра той може да изскочи от детайла или да предизвика откат.
- ▶ Когато разрязвате големи плочи, ги подпирайте, за да намалите опасността от заклиняване на режещия диск. Големи плочи могат да се огънат под действие на силата на собствената си тежест. Плочите трябва да бъдат подпирани и от двете страни, както в близост до среза, така и в отдалечените им краища.
- ▶ Не използвайте зъплени или повредени режещи дискове. Когато дисковете са зъплени или обърнати в неправилната посока, разрязваната междина е тясна, поради което силно се увеличават триенето, както и опасността от заклиняване и откат.
- ▶ Преди да започнете разрязването, се уверете, че механизмите за регулиране на дълбочината и наклона на разрязване са затегнати здраво. Ако по време на рязане под действие на възникващите сили настройките се променят, това може да доведе до заклиняване и откат на електроинструмента.
- ▶ Бъдете особено предпазливи при разрязване в съществуващи стени или други елементи, под чиято повърхност може да има скрити чужди тела. Врязващият се циркулярен диск може да попадне на скрит обект, да блокира и да предизвика откат.

Функция на долния предпазен кожух

- ▶ Винаги преди започване на работа се уверявайте, че долният предпазен кожух се затваря безпроблемно. Не използвайте циркуляра, ако долният предпазен кожух не може да се движи свободно и не се затваря веднага. Никога не захващайте или завързвайте долния предпазен кожух в отворена позиция. Ако циркулярът падне на земята, долният предпазен кожух може да се огъне. Отворете предпазния кожух с лоста за изтегляне назад и се уверете, че кожухът може да се движи свободно, както и че не допира до други детайли при всички възможни наклони и дълбочини на среза.
- ▶ Проверявайте функционирането на пружината за долния предпазен кожух. Ако долният кожух и пружината не работят правилно, преди бъде използван, електроинструментът трябва да бъде ремонтиран. Повредени детайли, полепвания на замърсявания или натрупване на стружки предизвикват забавяне на движението на долния предпазен кожух.
- ▶ Отваряйте ръчно долния предпазен кожух само при изпълняване на специални срезове, напр. «Разрязване с пробиване и под ъгъл». Отворете долния предпазен кожух с издърпващия се назад лост и го отпуснете, когато циркулярният диск се вреже в детайла. При всички други видове срезове долният предпазен кожух трябва да работи автоматично.
- ▶ Не оставяйте циркуляра на работния плот или на земята, без преди това долният предпазен ко-

жух да е покрил режещия диск. Незащитен въртящ се по инерция режещ диск ще премести циркуляра в посока, обратна на посоката на рязане, и ще разреже намиращи се на пътя му предмети. Съобразявайте се с времето за въртене по инерция на диска.

ТЕХНИЧЕСКА СПЕЦИФИКАЦИЯ:

Артикул №		41 344	41 345
Модел		CS 65/1500 PLUS	CS 85/2000 PLUS
Напрежение честота	V Hz	230-240 50	230-240 50
Мощностен рейтинг	W	1.500	2.000
Скорост без натоварване	min ⁻¹	5.800	5.000
Размер на острието	mm	Ø185	Ø235
Макс. дълбочина на рязане при 90°	mm	65	85
Макс. дълбочина на рязане при 45°	mm	43	56
Тегло (без аксесоари) прибл.	kg	4,4	6,3

Клас на защита □ / II

Стойностите на излъчвания шум са определени съгласно EN 62841-1, EN 62841-2-5

Равнището A на излъчвания шум обикновено е

Равнище на звуковото налягане	dB(A)	96,6	93,4
Мощност на звука	dB(A)	107,6	104,4
Неопределеност K	dB	3	3

Работете с шумозаглушители!

Пълната стойност на вибрациите a_h (векторната сума по трите направления) и неопределеността K са определени съгласно EN 62841-1, EN 62841-2-5

Пълната стойност на вибрациите:

a _h	m/s ²	3,37	4,73
K	m/s ²	1,5	1,5

Функционално описание:

1. Лост на долната преграда
2. Изход за изкарване на прах
3. Диск на циркуляра (при избрани модели)
4. Ключ на лазерния генератор (при избрани модели)
5. Индикатор за захранване (при избрани модели)
6. Спوماгателна дръжка (при избрани модели)
7. Лазерен генератор (при избрани модели)
8. Скала за скосяване
9. Копче за фиксиране за регулиране на ъгъла
10. Копче за фиксиране за паралелен водач
11. Основа
12. Паралелен водач
13. Външен фланец
14. Захващащ болт на острието
15. Долна преграда
16. Бутон за фиксиране на шпиндела
17. Ключ за ВКЛ./ИЗКЛ.
18. Бутон за отключване
19. Главна дръжка
20. Скала за дълбочина на среза
21. Лост за фиксиране за регулиране на дълбочината

СГЛОБЯВАНЕ

Важно: Преди всяко сглобяване и регулиране винаги изваждайте щепсела на инструмента от контакта.

Смяна на острието (3, 4)

Предупреждение: Винаги изваждайте щепсела от електрозахранващата мрежа преди извършване на регулиране или закрепване на аксесоари.

1. Поставете циркуляра странично върху плоска повърхност. Препоръчително е да поставите основата отдолу като минимална дълбочина на рязане; така ще е лесно да сменят острието.
2. Натиснете бутона за фиксиране на шпиндела **16** към корпуса на мотора, както показва стрелката на фиг. 3, и го задръжте.
3. Завъртете захващащия болт на острието **14** обратно на часовниковата стрелка, като използват гаечния ключ, доставен с инструмента.
4. Свалете захващащия болт на острието **14** и външния фланец **13**.
5. Повдигнете долната преграда **15**, като използват лоста за долната преграда **1**, и след това свалят диска на циркуляра.
6. Почистете фланците на диска на циркуляра, след което монтирайте новия диск в изходния шпиндел, като го поставите към вътрешния фланец.
7. Уверете се, че режещите зъби и стрелката върху диска сочат в същата посока като стрелката върху долната преграда.
8. Монтирайте обратно външния фланец и затегнете захващащия болт на острието.
9. Уверете се, че дискът на циркуляра се движи свободно, като завъртете диска ръчно.

Регулиране на дълбочината (5)

1. Разхлабете лоста за фиксиране за регулиране на дълбочината **21**.
2. Задръжте основата хоризонтално спрямо ръба на детайла и повдигнете тялото на циркуляра, докато острието не достигне правилната дълбочина, определена от скалата за дълбочина на рязане **20** (приравнете линията на скалата).
3. Затегнете лоста за фиксиране за регулиране на дълбочината.

Регулиране на ъгъла (6)

1. Разхлабете копчето за фиксиране за регулиране на ъгъла **9**.
2. Регулирайте челюстта до желания ъгъл между 0° и 45°. [Вижте скалата за скосяване **8**].
3. Затегнете копчето за фиксиране за регулиране на ъгъла.

Включване и изключване (7)

Преди да използвате ключа за ВКЛ./ИЗКЛ., проверете дали дискът на циркуляра е правилно поставен и дали се движи плавно, както и дали захващащият болт на острието е добре затегнат.

1. Свържете щепсела към захранването – индикаторът за захранване **5** свети, докато връзката на инструмента с електрозахранващата мрежа не бъде прекъсната.
2. За да включите циркуляра, натиснете бутона за отключване **18** и задействайте ключа за ВКЛ./ИЗКЛ. **17**.
3. Когато освободите ключа **17**, уредът се изключва.

Регулиране на паралелно рязане (8)

1. Разхлабете копчето за фиксиране на ъгловия водач **10**.
2. Плъзнете паралелния водач **12** през отворите в челюстта до постигане на желаната ширина.
3. Затегнете фиксиращия болт, за да го напачнете на мястото му.
4. Уверете се, че ъгловият водач лежи върху дървената повърхност по цялата си дължина, за да гарантирате консистентни паралелни срезове.

Генератор на лазерна линия (7)

Предупреждения: Не поглеждайте директно в лазерния лъч, не насочвайте преднамерено лъча към персонала и се уверявайте, че лъчът не е насочен към очите на човек за повече от 0,25 сек. Когато извършвате линията на среза върху детайла, генераторът на лазерна линия може да ви помогне за по-добро подравняване.

Включване: Натиснете ключа на лазерния генератор **4**, лазерният генератор **7** работи.

Изключване: Натиснете ключа отново.

1. Проверете дали лазерната линия съвпада с линията на срязване, която е отбелязана върху обработвания детайл.
2. Регулирайте ъгъла на рязане според необходимостта.
3. Включете машината и стартирайте двигателя.
4. Когато острието достигне максимална скорост (приблизително след 2 секунди), поставете циркуляра върху детайла.

5. Включете лазерния генератор от лазерния отвор с помощта на ключа на лазерния генератор **4**.
6. Приравнете лъча с маркировката върху детайла и бавно натиснете циркуляра напред с две ръце, като задръжате червения лъч върху маркировката.
7. Изключете лазерния лъч при завършване на рязането.

РАБОТА

Общи процедури по рязане

1. При стартиране винаги дръжте циркуляра с една ръка за дръжката, а с другата ръка дръжте спомогателната дръжка **6**. Никога не форсирайте циркуляра, а поддържайте лек и постоянен натиск след завършване на среза, така че циркулярът да спре напълно. Когато рязането се прекъсне, възобновете го, като оставите острието да достигне пълна скорост, след което повторно го включите бавно в среза.
2. При напречно рязане дървесните влакна може да се повдигнат и разкъсат – ето защо придвижвайте циркуляра бавно, за да сведете тези ефекти до минимум.

Рязане на джоб

1. Извадете щепсела от електрозахранването преди извършване на регулиране. Задейтавайте регулирането на дълбочината въз основа на дебелината на линията за среза. Повдигнете долната преграда, като използвате лоста за повдигане.
2. Като дръжите острието почти в контакт с материала за рязане, стартирайте циркуляра и оставете острието да достигне пълна скорост. Постепенно снижете острието към материала за рязане, като използвате предния край на челюстта като точка за завъртане. Когато острието започне да реже, освободете долната преграда. Когато челюстта е легнала добре върху повърхността, която ще се реже, продължете да режете в права посока до края на среза. Оставете острието да спре напълно, преди да го извадите от среза. Никога не изтегляйте назад циркуляра, тъй като острието ще излезе от среза и ще се получи откат. Завъртете циркуляра и завършете среза по нормалния начин, като режете напред. Използвайте машинна ножовка или ръчен трион за завършване на среза в ъглите, ако е нужно.

Рязане на големи листове

1. Големите плоскости или дъски трябва да бъдат подпрени, за не се огънат или провиснат. Ако опитвате да режете без изравняване и правилно подпирание на детайла, острието може да се огъне и това ще доведе до откат.
2. Подпирайте плата или дъската близо до мястото на среза. Уверете се, че сте регулирали острието така, че да можете да режете през материала, без да засягат масата или работния плот. Предложение: използвайте малки подложки за подпирание на дъската или плата, които ще се режат. Ако детайлът е твърде дълъг за работния плот, използвайте пода с малките подложки за подпирание на дървения материал.

ПОДДРЪЖКА

1. За предотвратяване на инциденти винаги прекъсвайте връзката на циркуляра с електрозахранването преди почистване или извършване на поддръжка; най-ефикасно циркулярът може да се почисти със сгъстен въздух. Винаги носете предпазни очила при работа със сгъстен въздух. Ако не разполагате със сгъстен въздух, използвайте четка, за да отстраните праха и стружките от циркуляра.
2. Отворите за проветрение на мотора и превключвателните лостове трябва да са чисти и свободни от чужд материал. Не се опитвайте да почиствате, като пъхате остри предмети през отворите.
3. Никога не използвайте разяждащи вещества за почистване на пластмасовите части. Такива са например: бензин, въглероден тетрахлорид, почистващи разтворители със съдържание на хлор, амоняк и битови почистващи препарати, съдържащи амоняк. Не използвайте никой от тези препарати за почистване на циркуляра.
4. Осигурете проверка и/или смяна на износените графитни четки в оторизиран сервизен център в случай на прекомерно дълго спиране.
5. Остриетата се затъпяват дори при рязане на нормален дървен материал, като сигурен признак за затъпяване е нуждата от притискане на циркуляра напред вместо воденето му при рязане. Занесете острието в сервизен център за заточване.
6. Поддържайте машината чиста по всяко време.
7. Ако откриете повреда, консултирайте се с детайлния чертеж и списъка с части, за да определите точно коя част трябва да поръчате от нашия отдел за обслужване на клиенти.
8. Почиствайте корпуса само с влажен парцал. Не използвайте разтворители! Изсушете напълно след това. За да се запази капацитетът на акумулатора, препоръчваме да го оставитеразредени напълно веднъж месечно и след това да го презаредите отново. Съхранявайте само с напълно зареден акумулатор и дозареджайте от време на време, ако съхранявате за дълъг период от време. Съхранявайте на сухо място без образуване на скреж – температурата на околната среда не трябва да превишава 40°C.
9. Ако захранващият кабел на електроинструмента е повреден, той трябва да се смени с подобен кабел, предлаган от фирмата за сервиз или квалифициран технически експерт.
10. Поради съображения за безопасност машината се изключва автоматично, ако графитните четки са износени дотолкова, че вече да не могат да влизат в контакт с мотора. В такъв случай графитните четки трябва да се сменят с чифт подобни графитни четки, предлагани от фирмата за следпродажбен сервиз или квалифициран експерт.

ВНИМАНИЕ: Четките трябва винаги да се сменят на чифтове.

ВНИМАНИЕ: Винаги прекъсвайте връзката на машината с електрозахранването преди сваляне на електрически капази.

ЗАЩИТА НА ОКОЛНАТА СРЕДА

Не изхвърляйте електроуредите като несортиран битов отпадък, използвайте отделни пунктове за събиране. Свържете се с локалните власти за информация относно наличните системи за събиране на отпадъци. Ако електроуредите се изхвърлят в сметища, в подпочвените води може да изтекат опасни вещества, които да попаднат в хранителната верига, увреждайки вашето здраве и благополучие.

ГАРАНЦИЯ

Този продукт е гарантиран в съответствие със законовите/специфичните за страната разпоредби в сила от датата на закупуване от първия потребител. Щетите, причинени от нормално износване, претоварване или неправилно боравене, ще бъдат изключени от гаранцията. В случай на рекламация, моля, изпратете машината напълно слобена на вашия дилър или сервизен център за електрически инструменти.

Lietuvių k.

BENDRIEJI ELEKTRINIŲ ĮRANKIŲ SAUGOS ĮSPĖJIMAI

Perskaitykite visus saugos įspėjimus ir instrukcijas. Perspėjimų ir instrukcijų nesilaikymas gali sukelti elektros smūgį, gaisrą ir (arba) rimtus sužalojimus. Išsaugokite visus įspėjimus ir instrukcijas, kad galėtumėte pasinaudoti ateityje. Įspėjimuose vartojamas terminas „elektrinis įrankis“ reiškia iš tinklo (laidinį) elektrinį įrankį arba akumuliatorinį (belaidį) elektrinį įrankį.

Darbo zonos sauga

- ▶ Laikykitės darbo vietą švarią ir gerai apšviestą. Netvarkingos arba tamsios vietos sukelia nelaimingus atsitikimus.
- ▶ Nenaudokite elektrinių įrankių sprogoje aplinkoje, pvz., ten, kur yra degių skysčių, dujų ar dulkių. Elektriniai įrankiai sukuria kibirkštis, kurios gali uždegti dulkes arba dūmus.
- ▶ Dirbdami su elektriniu įrankiu saugokite vaikus ir pašalinius asmenis. Dėl išsiblašymo galite prarasti kontrolę.

Elektros sauga

- ▶ Elektrinio įrankio kištukai turi atitikti laidą. Niekada jokiu būdu nemodifikuokite kištuko. Nenaudokite adapterių kištukų su įžemintais (įžemintais) elektriniais įrankiais. Nepakeisti kištukai ir atitinkami laidai sumažins elektros smūgio riziką.
- ▶ Venkite kūno kontakto su įžemintais paviršiais, tokiems kaip vamzdžiai, radiatoriai, viryklės ir šaldytuvai. Jei jūsų kūnas yra įžemintas arba įžemintas, padidėja elektros smūgio rizika.
- ▶ Saugokite elektrinius įrankius nuo lietaus ar drėgnų sąlygų. Į elektrinį įrankį patekęs vanduo padidins elektros smūgio riziką.
- ▶ Nepiktinaudžiaukite laidu. Niekada nenaudokite laido elektrinio įrankio nešimui, traukimui ar atjungimui. Laikykite laidą toliau nuo karščio, alyvos, aštrių briaunų ir judančių dalių. Pažeisti arba įspainioję laidai padidina elektros smūgio riziką.
- ▶ Kai naudojate elektrinį įrankį lauke, naudokite ilginaujį laidą, tinkamą naudoti lauke. Naudojant lauke tinkamą laidą sumažėja elektros smūgio rizika.
- ▶ Jei elektrinį įrankį naudoti drėgnoje vietoje neišvengiama, naudokite nuotėkio srovės įtaiso (RCD) apsaugotą maitinimą. RCD naudojimas sumažina elektros smūgio riziką.

Asmeninis saugumas

- ▶ Būkite budrus, stebėkite, ką darote, ir vadovaukitės sveiku protu, kai naudojate elektrinį įrankį. Nenaudokite elektrinio įrankio, kai esate pavargę arba apsvaigę nuo narkotikų, alkoholio ar vaistų. Akimirka neatidumas dirbant su elektriniu įrankiu gali rimtai susižaloti.
- ▶ Naudokite asmenines apsaugos priemones. Visada dėvėkite akių apsaugą. Apsauginė įranga, pvz., dulkių kaukė, nelystantys apsauginiai batai, kepuraitė arba klausos apsaugos priemonės, naudojamoms tinkamomis sąlygomis, sumažins sužalojimus.

- ▶ Apsaugokite nuo netyčinio paleidimo. Įsitikinkite, kad jungiklis yra išjungtoje padėtyje, prieš prijungdami prie maitinimo šaltinio ir (arba) akumuliatoriaus bloko, paimdami ar nešdami įrankį. Elektrinius įrankius nešiojant pirštu ant jungiklio arba įjungus elektros įrankį su įjungtu jungikliu, gali įvykti nelaimingi atsitikimai.
- ▶ Prieš įjungdami elektrinį įrankį, išimkite bet kokį reguliavimo raktą arba veržliaraktį. Veržliaraktis arba raktas, paliktas prie besisukančios elektrinio įrankio dalies, gali susižaloti.
- ▶ Nepersistenkite. Visada stovėkite tinkamai ir laikykitės pusiausvyrą. Tai leidžia geriau valdyti elektrinį įrankį netikėtose situacijose.
- ▶ Apsirenkite tinkamai. Nedėvėkite laisvų drabužių ar papuošalų. Plaukus, drabužius ir pirštines laikykitės toliau nuo judančių dalių. Laisvi drabužiai, papuošalai ar ilgi plaukai gali įstrigti judančiose dalyse.
- ▶ Jei yra prietaisai, skirti prijungti dulkių nusirbimo ir surinkimo įrenginius, įsitikinkite, kad jie prijungti ir tinkamai naudojami. Dulkių surinkimo priemonės gali sumažinti su dulėmis susijusį pavojų.

Elektrinio įrankio naudojimas ir priežiūra

- ▶ Nespauskite elektrinio įrankio jėga. Naudokite savo reikmėms tinkamą elektrinį įrankį. Tinkamas elektrinis įrankis atliks darbą geriau ir saugiau tokiu greičiu, kuriam jis buvo sukurtas.
- ▶ Nenaudokite elektrinio įrankio, jei jungiklis jo neįjungia ir neišjungia. Bet koks elektrinis įrankis, kurio negalima valdyti jungikliu, yra pavojingas ir turi būti suremontuotas.
- ▶ Prieš atlikdami bet kokius reguliavimus, keisdami priedus arba laikydami elektrinius įrankius, atjunkite kištuką nuo maitinimo šaltinio ir (arba) akumuliatorių nuo elektrinio įrankio. Tokios prevencinės saugos priemonės sumažina elektrinio įrankio netyčinio įjungimo riziką.
- ▶ Nenaudojamus elektrinius įrankius laikykitė vaikams nepasiekiamoje vietoje ir neleiskite su elektriniu įrankiu arba šiomis instrukcijomis nesusipažinusiems asmenims naudotis elektriniu įrankiu. Elektriniai įrankiai yra pavojingi neapmokytų naudotojų rankose.
- ▶ Prižiūrėkite elektrinius įrankius. Patikrinkite, ar judančios dalys nėra sulygiuotos arba nesusirišusios, ar dalys nesulūžusios ir ar nėra kitų sąlygų, kurios gali turėti įtakos elektrinio įrankio veikimui. Jei elektrinis įrankis pažeistas, prieš naudodami jį suremontuokite. Daug nelaimingų atsitikimų įvyksta dėl prastai prižiūrėtų elektrinių įrankių.
- ▶ Pjovimo įrankius laikykitė aštrius ir švarius. Tinkamai prižiūrimi pjovimo įrankiai su aštriomis pjovimo briaunomis rečiau įspainioja ir yra lengviau valdomi.
- ▶ Elektrinį įrankį, priedus, įrankių antgalius ir pan. naudokite pagal šias instrukcijas, atsižvelgdami į darbo sąlygas ir atliekamą darbą. Naudojant elektrinį įrankį kitokiems nei numatyta darbams, gali susidaryti pavojinga situacija.

Aptarnavimas

Pasirūpinkite, kad jūsų elektrinį įrankį aptarnautų kvalifikuotas remontininkas, naudodamas tik identiškas atsargines dalis. Taip bus užtikrintas elektrinio įrankio saugumas.

DISKINIŲ PJŪKLŲ SAUGOS ĮSPĖJIMAI

Pjovimo procedūros

PAVOJUS:

- ▶ Rankas laikykite toliau nuo pjovimo vietos ir ašmenų. Laikykite antrąją ranką ant papildomos rankenos arba variklio korpuso. Jei pjūklą laikote abiem rankomis, ašmenys negali jų nupjauti.
- ▶ Nelieskite po ruošiniu. Apsauga negali apsaugoti jūsų nuo ašmenų žemiau ruošinio.
- ▶ Sureguliuokite pjovimo gylį pagal ruošinio storį. Po ruošiniu turėtų matytis mažiau nei pilnas ašmenų dantų dantis.
- ▶ Niekada nelaikykite pjaunamo gabalo rankose arba skersai kojos. Pritvirtinkite ruošinį ant stabilios platformos. Svarbu tinkamai paremti darbą, kad būtų sumažintas kūno poveikis, ašmenų surišimas ar kontrolės praradimas.
- ▶ Elektrinį įrankį laikykite tik už izoliuotų griebimo paviršių, kai atliekate operaciją, kai pjovimo įrankis gali liestis su paslėptais laidais arba savo laidu. Palietus „Įtampa“ laidą, matomos metalinės elektrinio įrankio dalys taip pat taps „gyvos“, o operatorius gali patirti elektros smūgį.
- ▶ Plyšdami visada naudokite plėšimo tvorą arba tiesios briaunos kreiptuvą. Tai pagerina pjovimo tikslumą ir sumažina ašmenų įstrigimo tikimybę.
- ▶ Visada naudokite tinkamo dydžio ir formos ašmenis (deimantinius, palyginti su apvaliomis) pavėsinėmis. Ašmenys, kurie neatitinka pjūklo tvirtinimo detalių, važiuos ekscentriškai ir praras kontrolę.
- ▶ Niekada nenaudokite pažeistų arba netinkamų ašmenų poveržlių ar varžtų. Ašmenų poveržlės ir varžtas buvo specialiai sukurti jūsų pjūklui, kad būtų užtikrintas optimalus veikimas ir darbo saugumas.
- ▶ Atatranks priežastys ir susiję įspėjimai
 - Atatranka yra staigi reakcija į suspaustą, surištą ar netinkamai išlygiuotą pjūklo diską, dėl kurio nekontroliuojamas pjūklas pakyla ir išeina iš ruošinio link operatoriaus;
 - Kai ašmenys suspaudžiami arba tvirtai surišami, kai plyšys užsidaro, ašmenys sustoja ir variklio reakcija greitai stumia įrenginį atgal link operatoriaus;
 - Jei pjūvyje ašmenys susisuka arba nesutampa, ašmenų galinio krašto dantys gali įsikverbti į viršutinį medienos paviršių, todėl ašmenys gali išlipti iš pjūvio ir šokti atgal link operatoriaus. Atatranka atsiranda dėl netinkamo pjūklo naudojimo ir (arba) netinkamų eksploataavimo procedūrų ar sąlygų, todėl jos galima išvengti imantis atitinkamų atsargumo priemonių, kaip nurodyta toliau.
- ▶ Abiem rankomis tvirtai suimkite pjūklą ir padėkite rankas taip, kad atsispirtumėte atatranks jėgoms. Padėkite savo kūną abiejose ašmenų pusėse, bet ne vienoje linijoje su ašmenimis. Dėl atatranks pjūklas gali šokinėti atgal, tačiau operatorius gali kontroliuoti atatranks jėgas, jei imamasi tinkamų atsargumo priemonių.
- ▶ Kai pjūklas sustingsta arba dėl kokios nors priežasties nutraukiate pjovimą, atleiskite gaiduką ir laikykite pjūklą nejudantį medžiagoje, kol ašmenys visiškai sustos. Niekada nemėginkite nuimti pjūklo nuo darbo ar traukti pjūklo atgal, kol ašmenys juda, kitaip gali įvykti atatranka. Išstirkite ir imkitės taisomųjų veiksmų, kad pašalintumėte ašmenų surišimo priežastį.
- ▶ Iš naujo paleidžiant pjūklą ruošinyje, pjūklo diską su-

centruokite įpjovoje ir patikrinkite, ar pjūklo dantys nėra įsikibę į medžiagą. Jei pjūklo diskas yra įstrigo, jis gali pakilti arba atšokti nuo ruošinio, kai pjūklas paleidžiamas iš naujo.

- ▶ Palaikykite dideles plokštes, kad sumažintumėte peilių suspaudimo ir atatranks riziką. Didelės plokštės linkusios įdubti nuo savo svorio. Atramos turi būti dedamos po plokštę iš abiejų pusių, šalia pjovimo linijos ir šalia plokštės krašto.
- ▶ Nenaudokite nuobodžių ar pažeistų peilių. Negalėsti arba netinkamai nustatytai peiliukai sudaro siaurą plyšį, dėl kurio atsiranda per didelę trintį, ašmenys surišami ir atatranka.
- ▶ Ašmenų gylis ir kampo reguliavimo fiksavimo svirtys turi būti sandarios ir saugios prieš pjaunant. Jei pjovimo metu ašmenų reguliavimas pasilenka, tai gali sukelti susirišimą ir atatranką.
- ▶ Būkite ypač atsargūs pjaudami esamas sienas ar kitas aklas vietas. Atsikišę peiliai gali įpjauti daiktus, kurie gali sukelti atatranką.

Apatinės apsaugos funkcija

- ▶ Prieš kiekvieną naudojimą patikrinkite, ar apatinė apsauga tinkamai užsidaro. Nenaudokite pjūklo, jei apatinė apsauga nejuda laisvai ir akimirksniu neužsidaro. Niekada neužfiksuokite ir nepriirškite apatinės apsaugos į atvirą padėtį. Jei pjūklas netyčia nukrito, apatinė apsauga gali būti sulenkta. Pakelkite apatinę apsaugą su įtraukimo rankena ir įsitikinkite, kad ji laisvai juda ir neliečia ašmenų ar bet kurios kitos dalies visais kampais ir pjovimo gyliu.
- ▶ Patikrinkite apatinės apsaugos spyruoklės veikimą. Jei apsauga ir spyruoklė neveikia tinkamai, prieš naudojimą jas reikia prižiūrėti. Apatinė apsauga gali veikti vangiai dėl pažeistų dalių, lipnių nuosėdų ar susikaupusių šiukšlių.
- ▶ Apatinė apsauga gali būti įtraukta rankiniu būdu tik atliekant specialius pjūvius, pvz., „leidžiamus ir kampinius pjūvius“. Pakelkite apatinę apsaugą įtraukdami rankeną ir, kai tik ašmenys pateks į medžiagą, atleiskite apatinę apsaugą. Atliekant visas kitas pjovimo operacijas, apatinė apsauga turi veikti automatiškai.
- ▶ Prieš padėdami pjūklą ant stalo ar grindų, visada atkreipkite dėmesį, kad apatinė apsauga uždengtų ašmenis. Neapsaugotas, riedančiu geležte pjūklas ims vaikščioti atgal ir pjauti viską, kas yra jo kelyje. Žinokite, kiek laiko reikia, kol ašmenys sustoja atleidus jungiklį.

TECHNINĖ SPECIFIKACIJA:

Straipsnio numeris		41 344	41 345
		CS	CS
Modelis		65/1500 PLUS	85/2000 PLUS
Įtampa Dažnis	V Hz	230-240 50	230-240 50
Galios įvertinimas	W	1.500	2.000
Nėra apkrovos greičio	min ⁻¹	5.800	5.000
Ašmenų dydis	mm	Ø185	Ø235

Maksimalus pjovimo gylis 90°	mm	65	85
Maksimalus pjovimo gylis 45°	mm	43	56
Svoris (be priedų) apytiksl	kg	4,4	6,3

Apsaugos klasė ☐ / II

Garso emisijos vertės, nustatytos pagal EN 62841-1, EN 62841-2-5

Paprastai gaminio A svertinis triukšmo lygis yra:

Garso slėgio lygis	dB(A)	96,6	93,4
Garso galios lygis	dB(A)	107,6	104,4
Neaiškumas K	dB	3	3

Dėvėkite klausos apsaugos priemones!

Bendros vibracijos vertės a_h (triasių vektorių suma) o neapibrėžtis K nustatyta pagal EN 62841-1, EN 62841-2-5

Bendros vibracijos vertės:

a_h	m/s^2	3,37	4,73
K	m/s^2	1,5	1,5

Funkcinis aprašymas:

1. Apatinės apsaugos svirtis
2. Dulkių ištraukimo anga
3. Pjūklų diskas (tam tikri modeliai)
4. Lazero generatoriaus jungiklis (pasirinktas modelis)
5. Įjungimo indikatorius (tam tikri modeliai)
6. Pagalbinė rankena (tam tikri modeliai)
7. Lazero generatorius (tam tikri modeliai)
8. Mitrinė skalė
9. Fiksavimo rankenėlė kampo reguliavimui
10. Užrakinimo rankenėlė lygiagrečiam kreiptuvui
11. Atraminė plokštė
12. Lygiagretus vadovas
13. Išorinis flanšas
14. Ašmenų spaustuko varžtas
15. Apatinė apsauga
16. Veleno fiksavimo mygtukas
17. ON/OFF jungiklis
18. Užrakinimo mygtukas
19. Pagrindinė rankena
20. Pjovimo skalės gylis
21. Fiksavimo svirtis gylio reguliavimui

MONTAVIMAS

Svarbu: prieš bet kokį surinkimą ir reguliavimą visada atjunkite įrankį.

Ašmenų keitimas (3, 4)

Įspėjimas: Prieš reguliuodami arba prijungdami priedus, visada ištraukite kištuką iš maitinimo tinklo.

1. Padėkite šį diskinį pjūklą ant šono ant lygaus paviršiaus. Rekomenduojame nuleisti pagrindinio plokštę iki minimalaus gylio, tada bus nesunku pakeisti ašmenis.

2. Paspauskite veleno fiksavimo mygtuką 16 link variklio korpuso, kaip parodyta 3 paveiksle, ir tvirtai laikykite jį.
3. Naudodami kartu su įrankiu pateiktą veržliaraktį, pasukite ašmenų apkabos varžtą 14 prieš laikrodžio rodyklę.
4. Nuimkite ašmenų spaustuko varžtą 14 ir išorinį flanšą 13.
5. Pakelkite apatinę apsaugą 15, naudodami apatinės apsaugos 1 svirtį, tada nuimkite pjūklų diską.
6. Nuvalykite pjovimo disko flanšus, tada sumontuokite naują pjūklų diską ant išėjimo veleno ir prie vidinio flanšo.
7. Įsitikinkite, kad pjūklų dantys ir rodyklė ant ašmenų yra ta pačia kryptimi, kaip ir rodyklė ant apatinės apsaugos.
8. Vėl uždėkite išorinį flanšą ir priveržkite ašmenų spaustuko varžtą.
9. Sukdami diską ranka įsitikinkite, kad pjūklų diskas laisvai juda.

Gylio reguliavimas (5)

1. Atlaisvinkite gylio reguliavimo fiksavimo svirtį 21.
2. Laikykite pagrindinio plokštę lygiai prie ruošinio krašto ir kelkite pjūklų korpusą, kol diskas pasieks reikiamą gylį, kurį nustato pjūvio gylis 20 (skalės linija).
3. Priveržkite fiksavimo svirtį, kad reguliuotumėte gylį.

Kampo reguliavimas (6)

1. Atlaisvinkite kampo reguliavimo fiksavimo rankenėlę 9.
2. Sureguliuokite batą norimu kampu nuo 0° iki 45°. [Žr. 8 skalę].
3. Priveržkite fiksavimo rankenėlę, kad sureguliuotumėte kampą.

Įjungti ir išjungti (7)

Prieš įjungdami įjungimo/išjungimo jungiklį, patikrinkite, ar pjūklų diskas tinkamai sumontuotas ir veikia sklandžiai, o ašmenų spaustuko varžtas gerai priveržtas.

1. Prijunkite kištuką prie maitinimo šaltinio, įjungimo indikatorius 5 šviečia tol, kol įrankis atsijungs nuo maitinimo tinklo.
2. Norėdami įjungti diskinį pjūklą, paspauskite fiksavimo mygtuką 18 ir patraukite ON/OFF jungiklio gaiduką 17.
3. Kai atleidžiote jungiklio gaiduką 17, įrankis išsijungia.

Lygiagretaus pjovimo reguliavimas (8)

1. Atlaisvinkite krašto kreiptuvo fiksavimo rankenėlę 10.
2. Pastumkite lygiagrečią kreiptuvą 12 per bato angas iki norimo plocio.
3. Priveržkite fiksavimo varžtą, kad jis tilptų į vietą.
4. Įsitikinkite, kad krašto kreiptuvas per visą ilgį remiasi į medieną, kad būtų nuoseklūs lygiagrečiai pjūviai.

Lazero linijos generatorius (7)

Įspėjimai: Nežiūrėkite tiesiai į lazerio spindulį, tyčia nenukreipkite spindulio į personalą ir įsitikinkite, kad jis nebūtų nukreiptas į žmogaus akį ilgiau nei 0,25 s. Kai nustatote ruošinio pjovimo liniją, lazerinis linijų generatorius gali padėti geriau išlygiuoti.

Įjungimas: Paspauskite lazerio generatoriaus jungiklį 4, lazerinis generatorius 7 veikia.

Išjungti: dar kartą paspauskite jungiklį.

1. Patikrinkite, ar lazerio linija sutampa su pjovimo linija, kaip pažymėta ant ruošinio.
2. Sureguliuokite pjovimo kampą pagal poreikį
3. Prijunkite mašiną ir paleiskite variklį
4. Kai ašmenys pasiekia didžiausią greitį (maždaug 2 sekundes), padėkite pjūklą ant ruošinio.
5. Lazerio generatoriaus jungikliu 4 jįjunkite lazerio generatorių iš lazerio diafragmos.
6. Sulygiuokite spindulį su žyma ant ruošinio ir abiem rankomis lėtai stumkite pjūklą į priekį, raudoną šviesos spindulį išlaikydami ant žymės.
7. Baigę pjovimą, išjunkite lazerio spindulį.

OPERACIJA

Bendras pjovimas

1. Pradedami darba, visada viena ranka laikykite už pjūklo rankenos, o kita ranka – už pagalbinės rankenos 6. Niekada nespauskite pjūklo jėga, bet palaikykite lengvą ir nuolatinį spaudimą baigę pjovimą, kad pjūklas visiškai sustotų. Kai pjovimas pertraukiamas, tęskite pjovimą, leisdami ašmenims pasiekti visą greitį ir lėtai grįžkite į pjovimą.
2. Pjaunant skersai plyštį, medienos pluoštai turi tendenciją kilti ir grūsti, o pjūklo judėjimas lėtai sumažina šį poveikį.

Kišenių kirpimas

1. Prieš atlikdami bet kokius reguliavimus, atjunkite kištuką nuo maitinimo šaltinio. Nustatykite gylio reguliavimą pagal pjovimo linijos brėžinio storį. Pakelkite apatinę apsaugą, naudodami kėlimo svirtį.
2. Kai ašmenys vos viršija pjaunamos medžiagos, paleiskite pjūklą ir leiskite ašmeniui įsibėgėti visu greičiu. Palaipsniui nuleiskite peilį iki pjaustomos medžiagos, naudodami priekinį bato galą kaip sukimosi tašką. Kai ašmenys pradeda pjauti, atleiskite apatinę apsaugą. Kai batas yra lygiai ant pjaunamo paviršiaus, tęskite kirpimą į priekį iki pjūvio pabaigos. Prieš išimdami iš pjūvio, leiskite peiliui visiškai sustoti. Niekada netraukite pjūklo atgal, nes ašmenys išlips iš pjūvio ir įvyks atatranka. Apverskite pjūklą ir baikite pjovimą įprastu būdu, pjaudami į priekį. Jei reikia, naudokite dėlionę arba rankinį pjūklą, kad užbaigtumėte pjovimą kampuose.

Didelių lakštų pjaustymas

1. Dideliam lakštui ar lentoms reikalinga atrama, kad būtų išvengta lenkimų ar įlinkimų. Jei bandysite pjauti neišlygindami ir tinkamai nepalaikydami ruošinio, ašmenys bus linkę įspausti ir sukelti atatranką.
2. Palaikykite plokštę arba lentą arti pjūvio. Būtinai nustatykite ašmenų reguliavimą taip, kad galėtumėte pjauti medžiagą neįspjovę į stalą ar darbastalį. Patarimas: naudokite du po keturis, kad paremtumėte lentą arba plokštę, kurią norite pjaustyti. Jei gabalas yra per didelis darbastaliui, naudokite grindis su dviem keturiais, laikančiais medieną.

PRIEŽIŪRA

1. Kad išvengtumėte nelaimingų atsitikimų, prieš vyldami ar atlikdami bet kokią techninę priežiūrą visada atjunkite pjūklą nuo maitinimo šaltinio.



- Naudodami suslėgtą orą visada dėvėkite apsauginius akinius. Jei suspausto oro nėra, šepetiu pašalinkite dulkes ir drožles nuo pjūklo.
 - Variklio ventilacijos angos ir jungiklių svirtys turi būti švarios ir be pašalinių medžiagų. Nebandykite valyti kišdami smalius daiktus per angas.
 - Niekada nenaudokite jokių šarminių medžiagų plastikinėms dalims valyti. Tokie kaip: benzinas, anglies tetrachloridas, chlorinis valymo tirpikliai, amoniakas ir buitiniai valikliai, kurių sudėtyje yra amoniako. Pjūklui valyti nenaudokite nė vieno iš jų.
 - Pasirūpinkite, kad įgaliotasis techninės priežiūros centras patikrintų ir (arba) pakeistų susidėvėjusius anglies šepetėlius, jei stovite per daug.
 - Ašmenys tampa nuobodūs net pjaunant įprastą medieną. Neabejotinas pjūklo nuobodulio požymis yra būtinybė pjūklą stumti į priekį, o ne nukreipti jį pjaunant. Nuneškite ašmenis į techninės priežiūros centrą galandimui.
 - Visą laiką laikykite mašiną švarią.
 - Jei pastebėsite kokių nors pažeidimų, peržiūrėkite išskleistą brėžinį ir dalių sąrašą, kad tiksliai nustatytumėte, kurią atsarginę dalį reikia užsisakyti iš mūsų klientų aptarnavimo skyriaus.
 - Korpusą valykite tik drėgna šluoste. Nenaudokite jokių tirpiklių! Po to kruopščiai išdžiovinkite. Siekiant išlaikyti akumuliatoriaus talpą, rekomenduojame kas mėnesį visiškai iškrauti akumuliatorių ir vėl pilnai įkrauti. Laikykite tik su visiškai įkrautu akumuliatoriumi ir retkarčiais įkraukite, jei laikote ilgą laiką. Laikyti sausoje ir neužšalancioje vietoje, aplinkos temperatūra neturi viršyti 40°C.
 - Jei šio elektrinio įrankio maitinimo laidas yra pažeistas, jį reikia pakeisti panašiu laidu, kurį gali įsigyti techninės priežiūros organizacija arba kvalifikuotas autoritetingas technikas.
 - Saugumo sumetimais mašina automatiškai išsijungia, jei anglies šepetėliai yra taip susidėvėję, kad nesiliečia su varikliu. Tokiu atveju anglinius šepetėlius reikia pakeisti pora panašių anglinių šepetėlių, kuriuos galima įsigyti iš garantinio aptarnavimo organizacijos arba kvalifikuoto specialisto.
- DĖMESIO: Šepetiai visada turi būti keičiami poromis. JSPĖJIMAS: Prieš nuimdami bet kokius elektrinius dangčius, visada atjunkite įrenginį nuo maitinimo šaltinio.

APLINKOS APSAUGA

Neišmeskite elektros prietaisų kaip nerūšiuotų komunalinių atliekų, naudokite atskirus surinkimo įrenginius. Dėl informacijos apie galimas surinkimo sistemas susisiekite su vietos valdžia. Jei elektros prietaisai išmetami į sąvartynus ar sąvartynus, pavojingos medžiagos gali nutekėti į gruntinius vandenis ir patekti į maisto grandinę, pakenkdamas jūsų sveikatai ir savijautai.

GARANTIJA

Šiam gaminiui suteikiama garantija pagal teisinius / konkrecios šalies reglamentus, kurie galioja nuo pirmojo naudotojo įsigijimo datos. Garantija netaikoma žalai, atsiradusioms dėl normalaus nusidėvėjimo, perkrovos ar netinkamo naudojimo. Jei turite pretenzijų, visiškai surinktą mašiną nusiųskite pardavėjui arba oficialiam aptarnavimo centrui.

EN	EU DECLARATION OF CONFORMITY		We declare under our sole responsibility that the listed products comply with all applicable provisions of the below directives and are also in conformity with the following standards. Production year and serial number are on the product. The relative technical file is at the below address.	
	CIRCULAR SAW			
	MODEL	Article number		
FR	DÉCLARATION CE DE CONFORMITÉ		Nous déclarons sous notre propre responsabilité que les produits décrits sont conformes à toutes les dispositions applicables des directives ci-dessous et sont également conformes aux normes suivantes. L'année de production et le numéro de série figurent sur le produit. Le dossier technique correspondant est à l'adresse ci-dessous.	
	SCIE CIRCULAIRE			
	MODÈLE	Numéro de l'article		
IT	DICHIAZIONE CE DI CONFORMITÀ		Dichiaro sotto la nostra piena responsabilità che i prodotti indicati sono conformi a tutte le disposizioni applicabili delle seguenti direttive e sono inoltre conformi alle seguenti norme. Anno di produzione e numero di serie sono sul prodotto. La relativa scheda tecnica è al seguente indirizzo.	
	SEGA CIRCOLARE			
	MODELLO	Codice prodotto		
EL	ΔΗΛΩΣΗ ΣΥΜΜΟΡΦΩΣΗΣ ΕΚ		Δηλώνουμε με αποκλειστική μας ευθύνη, ότι τα αναφερόμενα προϊόντα συμμορφώνονται με όλες τις σχετικές διατάξεις των κάτωθι οδηγιών και είναι επίσης σύμφωνα με τα ακόλουθα πρότυπα. Το έτος παραγωγής και ο σειριακός αριθμός αναγράφονται στο προϊόν. Ο τεχνικός φάκελος είναι στην παρακάτω διεύθυνση.	
	ΔΙΣΚΟΠΡΙΟΝΟ			
	ΜΟΝΤΕΛΟ	Κωδικός προϊόντος		
SR	CE IZJAVA O USAGLAŠENOSTI		Na sopstvenu odgovornost izjavljujemo, da navedeni proizvodi poštuju sve važeće odredbe dole navedenih direktiva i da su takođe u skladu sa sledećim standardima. Proizvodna godina i serijski broj su na proizvodu. Relativna tehnološka datoteka je na donjej adresi.	
	KRUŽNA TESTERA			
	MODEL	Broj predmeta		
HR	EU IZJAVA O SUKLADNOSTI		Pod punom odgovornošću izjavljujemo da navedeni proizvodi u skladu sa svim primjenjivim odredbama dolje navedenih direktiva, a također su u skladu sa sljedećim standardima. Godina proizvodnje i serijski broj su na proizvodu. Relativna tehnička datoteka nalazi se na donjoj adresi.	
	KRUŽNA PILA			
	MODEL	Broj artikla		
RO	DECLARAȚIE DE CONFORMITATE UE		Declarăm pe proprie răspundere că produsele menționate respectă toate prevederile aplicabile din directivele de mai jos și sunt, de asemenea, conforme cu următoarele standarde. Anul de producție și numărul de serie sunt pe produs. Fișierul tehnic relativ se află la adresa de mai jos.	
	FIERĂSTRĂU CIRCULAR FARA ACUMULATOR			
	MODEL	Număr articol		
HU	EU MEGFELELŐSÉGI NYILATKOZAT		Kijelentjük kizárólagos felelősségünkre, hogy a felsorolt termékek megfelelnek az alábbi irányelvek összes vonatkozó rendelkezésének, és megfelelnek a következő szabványoknak is. A gyártási év és a sorozatszám a terméken található. A relatív műszaki fájl az alábbi címen található.	
	KÖRFŰRÉSZ			
	MODELL	Cikk szám		
BG	ЕС ДЕКЛАРАЦИЯ ЗА СЪОТВЕТСТВИЕ		С пълна отговорност ние декларираме, че посочените продукти отговарят на всички валидни изисквания на директивите и разпоредбите по-долу и съответства на следните стандарти.	
	РЪЧЕН ЦИРКУЛЯР			
	МОДЕЛ	Каталожен номер		
LT	ES ATITIKTIES DEKLARACIJA		Mes, prisimdami visą atsakomybę, pareiškiame, kad išvardyti produktai atitinka visas taikomas toliau nurodytų direktyvų nuostatas ir taip pat atitinka šiuos standartus. Gamybės metai ir serijos numeris yra ant gaminio. Santykinis technologinis failas yra žemiau nurodytu adresu.	
	DISKINIS PJUKLAS			
	MODELIS	Straipsnis Numeris		
CS 65/1500 PLUS CS 85/2000 PLUS		41 344 41 345	2006/42/EC 2014/30/EU	EN 62841-1:2015 EN 62841-2:5:2014 EN 55014-1:2017 EN 55014-2:2015 EN IEC 61000-3-2:2019 (41 344) EN 61000-3-3:2013+A1 (41 344) EN 61000-3-2:2014 (41 345) EN 61000-3-3:2013 (41 345)
Aimiios G. Theodorou Electrical Engineer, Safety Officer  27/9/2022 FF GROUP TOOL INDUSTRIES, 19300 Aspropyrgos-Greece.		FF GROUP TOOL INDUSTRIES 9,5km Attiki Odos, Aspropyrgos 19300, Athens, Greece Tel. +30 210 55 98 400		



FF GROUP TOOL INDUSTRIES



9,5 Km Attiki Odos, Aspropyrgos

19300, Athens, Greece



+30 210 55 98 400



info@ffgroup-toolindustries.com



www.ffgroup-tools.com