

FF GROUP®



CS 55/1200 PLUS

EN

ORIGINAL INSTRUCTIONS

FR

NOTICE ORIGINALE

IT

ISTRUZIONI ORIGINALI

EL

ΠΡΟΤΟΤΥΠΟ ΟΔΗΓΙΩΝ ΧΡΗΣΗΣ

SR

ORIGINALNO UPUTSTVO ZA RAD

HR

ORIGINALNE UPUTE ZA RAD

RO

INSTRUCȚIUNI DE FOLOSIRE ORIGINALE

HU

EREDETI UTASÍTÁSOK

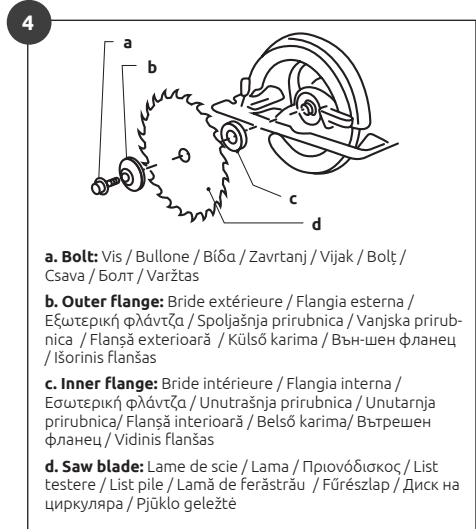
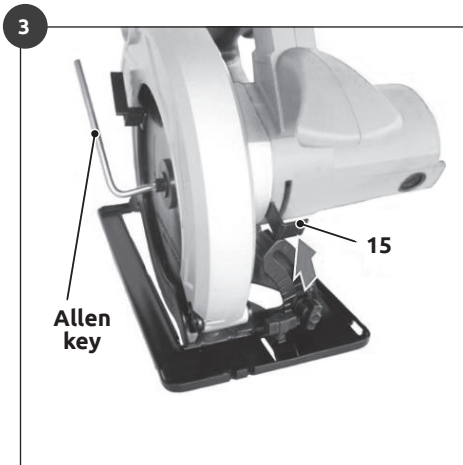
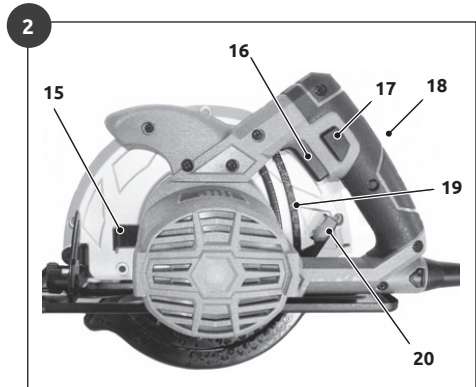
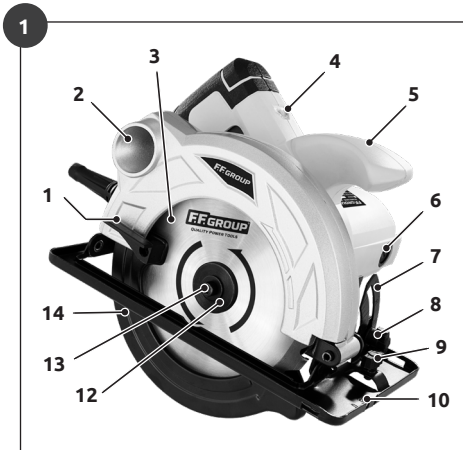
BG

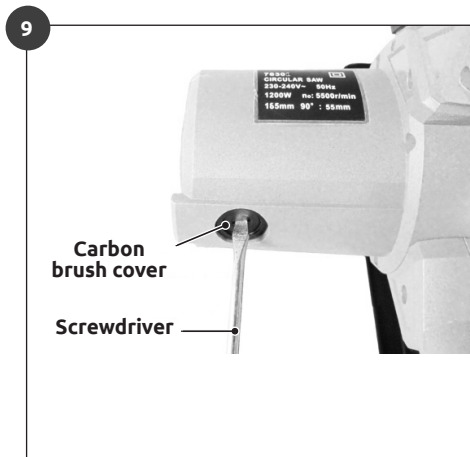
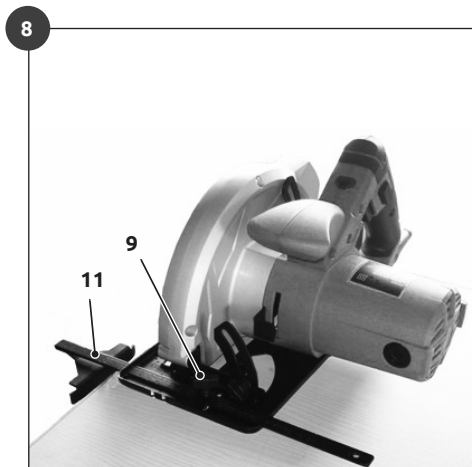
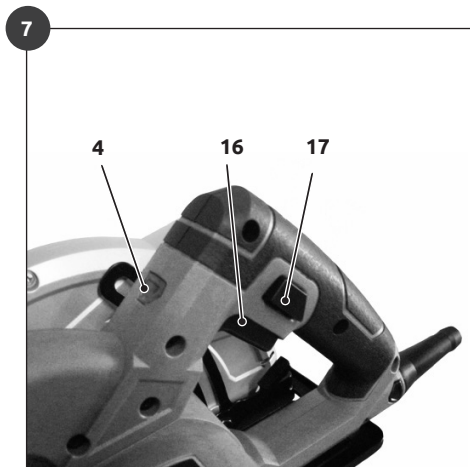
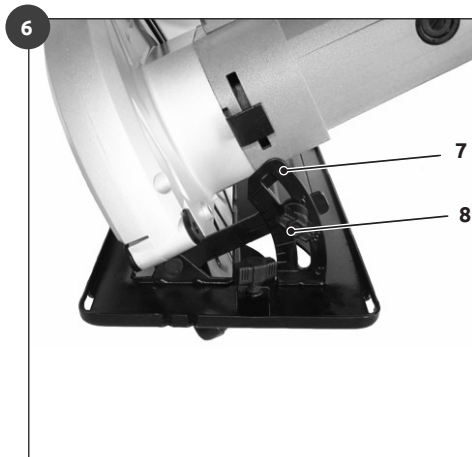
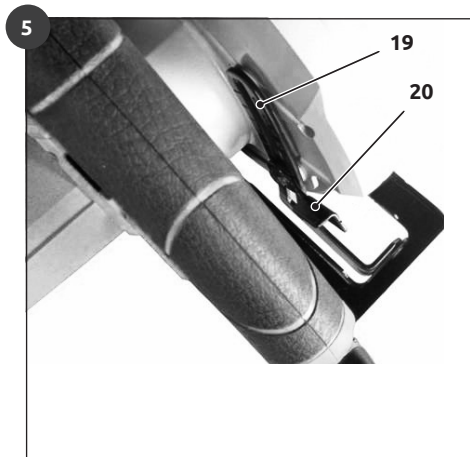
ОРИГИНАЛНИ ИНСТРУКЦИИ

LT

ORIGINALIOS INSTRUKCIJOS







EXPLANATION OF SYMBOLS / EXPLICATION DES SYMBOLES / SPIEGAZIONE DEI SIMBOLI / ΕΠΕΞΗΓΗΣΗ ΣΥΜΒΟΛΩΝ / OBJAŠNJENJE SIMBOLA / OBJAŠNJENJE SIMBOLA / EXPLICAREA SIMBOLURILOR / SZIMBÓLUMOK JELENTÉSE / ОБ'ЯСНЕННЯ НА СИМВОЛИТЕ / SIMBOLIŲ PAAIŠKINIMAS		04
EN	CIRCULAR SAW	08
FR	SCIE CIRCULAIRE	12
IT	SEGA CIRCOLARE	16
EL	ΔΙΣΚΟΠΡΙΟΝΟ	21
SR	KRUŽNA TESTERA	26
HR	KRUŽNA PILA	31
RO	FIERĂSTRĂU CIRCULAR FARA ACUMULATOR	35
HU	KÖRFŰRÉSZ	40
BG	РЪЧЕН ЦИРКУЛЯР	44
LT	DISKINIS PJKLAS	49
CE		54










Carbon brush cover: Couvricle des balais au carbone / Coperchio spazzola di carbone / Κάλυμμα ψήκτρας / Poklopac ugljeničnih četkica / Karbonski poklopac četke / Сараз періе de carbon / Szénkefe fedél / Капаче на графитните четки / Anglies šepetėlio dangtelis

Screwdriver: Tournevis / Cacciavite / Κατσαβίδι / Odvijač / Odvijač / Šurubelniță / Csavarhúzó / Отвертка / Atsuktuvus

	ENGLISH	FRANÇAIS	ITALIANO	ΕΛΛΗΝΙΚΑ
	EXPLANATION OF SYMBOLS	EXPLICATION DES SYMBOLES	SPIEGAZIONE DEI SIMBOLI	ΕΠΕΞΗΓΗΣΗ ΣΥΜΒΟΛΩΝ
	Always read and understand the instructions before operating	Toujours lire et comprendre les instructions avant d'opérer	Leggere e comprendere sempre le istruzioni prima di operare	Διαβάστε και κατανοήστε τις οδηγίες χρήσης πάντα πριν από τη λειτουργία
	Always wear appropriate eye protection when operating	Portez toujours une protection oculaire appropriée lorsque vous utilisez	Indossare sempre un'adeguata protezione oculare quando si opera	Να χρησιμοποιείτε πάντα κατάλληλη προστασία ματιών κατά τη λειτουργία
	Always wear appropriate ear protection when operating	Portez toujours une protection de l'oreille appropriée lors de l'exploitation	Indossare sempre un'adeguata protezione dell'orecchio quando si opera	Να χρησιμοποιείτε πάντα κατάλληλη προστασία αυτιών κατά τη λειτουργία
	Always wear appropriate protective breathing mask when operating	Portez toujours un masque respiratoire protecteur approprié lors de l'opération	Indossare sempre un'adeguata maschera protettiva durante il funzionamento	Να χρησιμοποιείτε πάντα κατάλληλη μάσκα αναπνοής κατά τη λειτουργία
	Always wear appropriate hand protection when operating	Portez toujours une protection appropriée pour les mains lors de l'exploitation	Indossare sempre la protezione della mano appropriata quando si opera	Να χρησιμοποιείτε πάντα κατάλληλη προστασία χεριών κατά τη λειτουργία
	Do not keep or operate in wet environment	Ne pas conserver ou opérer dans un environnement humide	Non tenere o operare in un ambiente umido	Μη διατηρείτε ή λειτουργείτε σε υγρό περιβάλλον

SRPSKI	HRVATSKI	ROMÂNĂ	MAGYAR	БЪЛГАРСКИ	LIETUVIŲ K.
OBJAŠNJENJE SIMBOLA	OBJAŠNJENJE SIMBOLA	EXPLICAREA SIMBOLURILOR	SZIMBÓLUMOK JELENÉSE	ОБЯСНЕНИЕ НА СИМВОЛИТЕ	SIMBOLIŲ PAAIŠKINIMAS
Uvek pročitajte i razumejte uputstva pre rada	Uvijek pročitajte i shvatite upute prije operacije	Citiți și înțelegeți întotdeauna instrucțiunile înainte de a utiliza	Használat előtt mindig olvassa el és értse meg az utasításokat	Винаги четете и разбирайте инструкциите преди работа	Prieš pradėdami dirbti, visada perskaitykite ir supraskite instrukcijas
Uvek nosite odgovarajuću zaštitu za oči kada radila	Uvijek nosite odgovarajuću zaštitu očiju kada djelujete	Purtați întotdeauna o protecție adecvată a ochilor atunci când acționați	Munka közben mindig viseljen megfelelő szemvédőt	Винаги носете подходяща защита на очите, когато работите	Dirbdami visada dėvėkite tinkamas akių apsaugos priemones
Uvek nosite odgovarajuću zaštitu za uši kada radila	Uvijek nosite odgovarajuću zaštitu za uši prilikom rada	Purtați întotdeauna o protecție adecvată a urechii în timpul funcționării	Működés közben mindig viseljen megfelelő fülvédőt	Винаги носете подходяща защита за ухото при работа	Dirbdami visada dėvėkite tinkamas ausų apsaugos priemones
Uvek nosite odgovarajuću zaštitnu masku za disanje prilikom rada	Prilikom rada uvijek nosite odgovarajuću zaštitnu masku za disanje	Purtați întotdeauna o mască de respirație de protecție adecvată în timpul	Munka közben mindig viseljen megfelelő léghőmaszkot	Винаги носете подходяща предпазна маска за дишане, когато	Dirbdami visada dėvėkite tinkamą apsauginę kvėpavimo kaukę
Uvek nosite odgovarajuću zaštitu ruku kada radila	Prilikom rada uvijek nosite odgovarajuću zaštitu ruku	Purtați întotdeauna o protecție adecvată a mâinii în timpul funcționării	Munka közben mindig viseljen kézvédőt	Винаги носете подходяща защита за ръцете при работа	Dirbdami visada dėvėkite tinkamą rankų apsaugą
Ne držite ili ne radite u vlažnom okruženju	Nemojte držati ili ne raditi u mokrom okruženju	Nu păstrați și nu acționați într-un mediu umed	Ne tárolja és ne működtesse nedves környezetben	Не съхранявайте и не работете в мокра среда	Negalima laikyti ar veikti drėgnoje aplinkoje

	ENGLISH	FRANÇAIS	ITALIANO	ΕΛΛΗΝΙΚΑ
	EXPLANATION OF SYMBOLS	EXPLICATION DES SYMBOLES	SPIEGAZIONE DEI SIMBOLI	ΕΠΕΞΗΓΗΣΗ ΣΥΜΒΟΛΩΝ
	Keep hands and feet clear of rotating parts	Gardez les mains et les pieds éloignés des pièces en rotation	Tenere mani e piedi lontani dalle parti rotanti	Διατηρείτε τα χέρια και τα πόδια σας μακριά από τα περιστρεφόμενα μέρη
	Important, danger, warning, or caution	Important, danger ou avertissement	Importante, pericolo o avviso	Σημαντικό, κίνδυνος ή προειδοποίηση
	Double insulation	Double insulation	Doppio isolamento	Διπλή μόνωση
	Must be recycled and should always be disposed in accordance with applicable directives	Doit être recyclé et doit toujours être éliminé conformément aux directives applicables	Deve essere riciclato e deve essere sempre smaltito secondo le direttive applicabili	Πρέπει να ανακυκλώνεται και πρέπει πάντα να απορρίπτεται σύμφωνα με τις ισχύουσες οδηγίες
	Complies with applicable safety directives and relative standards	Conforme aux directives de sécurité applicables et aux normes relatives	Conforme alle direttive di sicurezza applicabili e alle relative norme	Συμμορφώνεται με τις ισχύουσες οδηγίες ασφαλείας και τα σχετικά πρότυπα

SRPSKI	HRVATSKI	ROMÂNĂ	MAGYAR	БЪЛГАРСКИ	LIETUVIŲ K.
OBJAŠNJENJE SIMBOLA	OBJAŠNJENJE SIMBOLA	EXPLICAREA SIMBOLURILOR	SZIMBÓLUMOK JELENTÉSE	ОБЯСНЕНИЕ НА СИМВОЛИТЕ	SIMBOLIŲ PAAIŠKINIMAS
Drži ruke i noge dalje od rotirajućih delova	Držite ruke i noge dalje od rotirajućih dijelova	Țineți mâinile și picioarele departe de părțile rotative	Kezét és lábát tartsa távol a forgó alkatrészektől	Дръжте ръцете и краката далеч от въртящи се части	Rankas ir kojas laikykite toliau nuo besisukančių dalių
Važno, opasnost ili upozorenje	Važno, opasnost ili upozorenje	Important, pericol sau avertisment	Fontos, veszély, figyelemztetés vagy óvatosság	Важно, опасност или Предупреждение	Svarbu, pavojus, įspėjimas ar atsargumas
Dvostruka izolacija	Dvostruka izolacija	Izolație dublă	Dupla szigetelés	Двойна изолация	Dviguba izoliacija
Mora se reciklirati i uvek ga treba raspolagati u skladu sa važećim direktivama	Mora se reciklirati i uvijek zbrinuti u skladu s važećim direktivama	Trebuie reciclat și trebuie întotdeauna eliminat în conformitate cu directivele aplicabile	Újrahasznosítani kell, és mindig a vonatkozó irányelveknek megfelelően kell ártalmatlanítani	Трябва да се рециклира и винаги да се изхвърля в съответствие с приложимите директиви	Turi būti perdirbtas ir visada turi būti šalinamas pagal taikomas direktyvas
U skladu sa važećim bezbednosnim direktivama i relativnim standardima	U skladu s primjenjivim sigurnosnim direktivama i relativnim standardima	Respectă directivele de siguranță aplicabile și standardele aferente	Megfelel a vonatkozó biztonsági irányelveknek és a vonatkozó szabványoknak	Съответства на приложимите директиви за безопасност и съответните стандарти	Atitinka taikomas saugos direktyvas ir santykinis standartus

English

GENERAL POWER TOOL SAFETY WARNINGS

Read all safety warnings and all instructions. Failure to follow the warnings and instructions may result in electric shock, fire and/or serious injury.

Save all warnings and instructions for future reference. The term "power tool" in the warnings refers to your mains-operated (corded) power tool or battery-operated (cordless) power tool.

Work area safety

- ▶ Keep work area clean and well lit. Cluttered or dark areas invite accidents.
- ▶ Do not operate power tools in explosive atmospheres, such as in the presence of flammable liquids, gases or dust. Power tools create sparks which may ignite the dust or fumes.
- ▶ Keep children and bystanders away while operating a power tool. Distractions can cause you to lose control.

Electrical safety

- ▶ Power tool plugs must match the outlet. Never modify the plug in any way. Do not use any adapter plugs with earthed (grounded) power tools. Unmodified plugs and matching outlets will reduce risk of electric shock.
- ▶ Avoid body contact with earthed or grounded surfaces, such as pipes, radiators, ranges and refrigerators. There is an increased risk of electric shock if your body is earthed or grounded.
- ▶ Do not expose power tools to rain or wet conditions. Water entering a power tool will increase the risk of electric shock.
- ▶ Do not abuse the cord. Never use the cord for carrying, pulling or unplugging the power tool. Keep cord away from heat, oil, sharp edges and moving parts. Damaged or entangled cords increase the risk of electric shock.
- ▶ When operating a power tool outdoors, use an extension cord suitable for outdoor use. Use of a cord suitable for outdoor use reduces the risk of electric shock.
- ▶ If operating a power tool in a damp location is unavoidable, use a residual current device (RCD) protected supply. Use of an RCD reduces the risk of electric shock.

Personal safety

- ▶ Stay alert, watch what you are doing and use common sense when operating a power tool. Do not use a power tool while you are tired or under the influence of drugs, alcohol or medication. A moment of inattention while operating power tools may result in serious personal injury.
- ▶ Use personal protective equipment. Always wear eye protection. Protective equipment such as dust mask, non-skid safety shoes, hard hat, or hearing protection used for appropriate conditions will reduce personal injuries.
- ▶ Prevent unintentional starting. Ensure the switch is in the off-position before connecting to power source and/or battery pack, picking up or carrying the tool. Carrying power tools with your finger on the switch or energizing power tools that have the switch on invites accidents.
- ▶ Remove any adjusting key or wrench before turning the power tool on. A wrench or a key left attached to a rotating part of the power tool may result in personal injury.

- ▶ Do not overreach. Keep proper footing and balance at all times. This enables better control of the power tool in unexpected situations.
- ▶ Dress properly. Do not wear loose clothing or jewelry. Keep your hair, clothing and gloves away from moving parts. Loose clothes, jewelry or long hair can be caught in moving parts.
- ▶ If devices are provided for the connection of dust extraction and collection facilities, ensure these are connected and properly used. Use of dust collection can reduce dust-related hazards.

Power tool use and care

- ▶ Do not force the power tool. Use the correct power tool for your application. The correct power tool will do the job better and safer at the rate for which it was designed.
- ▶ Do not use the power tool if the switch does not turn it on and off. Any power tool that cannot be controlled with the switch is dangerous and must be repaired.
- ▶ Disconnect the plug from the power source and/or the battery pack from the power tool before making any adjustments, changing accessories, or storing power tools. Such preventive safety measures reduce the risk of starting the power tool accidentally.
- ▶ Store idle power tools out of the reach of children and do not allow persons unfamiliar with the power tool or these instructions to operate the power tool. Power tools are dangerous in the hands of untrained users.
- ▶ Maintain power tools. Check for misalignment or binding of moving parts, breakage of parts and any other condition that may affect the power tool's operation. If damaged, have the power tool repaired before use. Many accidents are caused by poorly maintained power tools.
- ▶ Keep cutting tools sharp and clean. Properly maintained cutting tools with sharp cutting edges are less likely to bind and are easier to control.
- ▶ Use the power tool, accessories and tool bits etc. in accordance with these instructions, taking into account the working conditions and the work to be performed. Use of the power tool for operations different from those intended could result in a hazardous situation.

Service

Have your power tool serviced by a qualified repair person using only identical replacement parts. This will ensure that the safety of the power tool is maintained.

SAFETY WARNINGS FOR CIRCULAR SAWS

Cutting procedures

- ▶ **DANGER:** Keep hands away from cutting area and the blade. Keep your second hand on auxiliary handle, or motor housing. If both hands are holding the saw, they cannot be cut by the blade.
- ▶ Do not reach underneath the workpiece. The guard cannot protect you from the blade below the workpiece.
- ▶ Adjust the cutting depth to the thickness of the workpiece. Less than a full tooth of the blade teeth should be visible below the workpiece.
- ▶ Never hold piece being cut in your hands or across your leg. Secure the workpiece to a stable platform. It is important to support the work properly to minimize body exposure, blade binding, or loss of control.

- ▶ Hold the power tool by insulated gripping surfaces only, when performing an operation where the cutting tool may contact hidden wiring or its own cord. Contact with a "live" wire will also make exposed metal parts of the power tool "live" and could give the operator an electric shock.
- ▶ When ripping, always use a rip fence or straight edge guide. This improves the accuracy of cut and reduces the chance of blade binding.
- ▶ Always use blades with correct size and shape (diamond versus round) of arbour holes. Blades that do not match the mounting hardware of the saw will run eccentrically, causing loss of control.
- ▶ Never use damaged or incorrect blade washers or bolt. The blade washers and bolt were specially designed for your saw, for optimum performance and safety of operation.
- ▶ Kickback causes and related warnings
 - Kickback is a sudden reaction to a pinched, bound or misaligned saw blade, causing an uncontrolled saw to lift up and out of the workpiece toward the operator;
 - When the blade is pinched or bound tightly by the kerf closing down, the blade stalls and the motor reaction drives the unit rapidly back toward the operator;
 - If the blade becomes twisted or misaligned in the cut, the teeth at the back edge of the blade can dig into the top surface of the wood causing the blade to climb out of the kerf and jump back toward the operator. Kickback is the result of saw misuse and/or incorrect operating procedures or conditions and can be avoided by taking proper precautions as given below.
- ▶ Maintain a firm grip with both hands on the saw and position your arms to resist kickback forces. Position your body to either side of the blade, but not in line with the blade. Kickback could cause the saw to jump backwards, but kickback forces can be controlled by the operator, if proper precautions are taken.
- ▶ When blade is binding, or when interrupting a cut for any reason, release the trigger and hold the saw motionless in the material until the blade comes to a complete stop. Never attempt to remove the saw from the work or pull the saw backward while the blade is in motion or kickback may occur. Investigate and take corrective actions to eliminate the cause of blade binding.
- ▶ When restarting a saw in the workpiece, center the saw blade in the kerf and check that saw teeth are not engaged into the material. If saw blade is binding, it may walk up or kickback from the workpiece as the saw is restarted.
- ▶ Support large panels to minimize the risk of blade pinching and kickback. Large panels tend to sag under their own weight. Supports must be placed under the panel on both sides, near the line of cut and near the edge of the panel.
- ▶ Do not use dull or damaged blades. Unsharpened or improperly set blades produce narrow kerf causing excessive friction, blade binding and kickback.
- ▶ Blade depth and bevel adjusting locking levers must be tight and secure before making cut. If blade adjustment shifts while cutting, it may cause binding and kickback.
- ▶ Use extra caution when sawing into existing walls or other blind areas. The protruding blade may cut objects that can cause kickback.

Lower guard function

- ▶ Check lower guard for proper closing before each use. Do not operate the saw if lower guard does not move freely and close instantly. Never clamp or tie the lower guard into the open position. If saw is accidentally dropped, lower guard may be bent. Raise the lower guard with the retracting handle and make sure it moves freely and does not touch the blade or any other part, in all angles and depths of cut.
- ▶ Check the operation of the lower guard spring. If the guard and the spring are not operating properly, they must be serviced before use. Lower guard may operate sluggishly due to damaged parts, gummy deposits, or a build-up of debris.
- ▶ The lower guard may be retracted manually only for special cuts such as "plunge cuts and angle cuts". Raise the lower guard by retracting the handle and as soon as the blade enters the material, release the lower guard. For all other sawing operations, the lower guard should operate automatically.
- ▶ Always observe that the lower guard is covering the blade before placing saw down on bench or floor. An unprotected, coasting blade will cause the saw to walk backwards, cutting whatever is in its path. Be aware of the time it takes for the blade to stop after switch is released.

TECHNICAL SPECIFICATION:

Article number	41 343	
Model	CS 55/1200 PLUS	
Voltage/Frequency	V/Hz	220-240/50
Power rating	W	1.200
No load speed	min ⁻¹	5.500
Blade size	mm	Ø165
Max cutting depth in 90°	mm	55
Max cutting depth in 45°	mm	36
Weight (without accessories) approx.	kg	3,5

Protection class □ / II

Sound emission values determined according to EN 60745-1, EN 60745-2-5

Typically the A-weighted noise levels of the product are:

Sound pressure level	dB(A)	92,7
Sound power level	dB(A)	103,7
Uncertainty K	dB	3

Wear hearing protection!

Vibration total values a_h (triax vector sum) and uncertainty K determined according to EN 60745-1, EN 60745-2-5

Vibration total values:

a_h	m/s ²	4,75
K	m/s ²	1,5

Functional Description:

1. Lever of lower guard
2. Dust extraction outlet
3. Saw blade
4. Power-on indicator
5. Auxiliary handle
6. Carbon brush cover
7. Angle gauge
8. Lock knob for angle adjustment
9. Lock knob for edge guide
10. Baseplate
11. Edge guide
12. Outer flange
13. Blade clamp bolt
14. Lower guard
15. Spindle lock button
16. ON/OFF switch
17. Lock-off button
18. Main handle
19. Depth gauge
20. Lock lever for depth adjustment

ASSEMBLY

Important: Prior to any assembly and adjustment always unplug the tool.

Changing the blade (3, 4)

Warning: Always disconnect the plug from the power source before making any adjustment or attaching any accessories. Do not use any abrasive wheels.

1. Place this circular saw on its side on a flat surface. Advice you bring the base plate down as if a minimum depth cut which is ease to operate.
2. Push the spindle lock button **15** toward motor housing as the arrow shows in Fig. 3 and firmly hold it.
3. Turn the blade clamp bolt **13** anti-clockwise by using the Allen key that supplied with the tool.
4. Remove the blade clamp bolt and outer flange **12**.
5. Raise the lower guard **14** by using the lever for lower guard **1**, and then remove the saw blade.
6. Clean the saw blade flanges, then mount the new saw blade onto the output spindle and against the inner flange.
7. Make sure the saw teeth and arrow on the blade is to be the same direction as the arrow on the lower guard.
8. Reinstall the outer flange, and tighten the blade clamp bolt.
9. Make sure that the saw blade runs freely by turning the blade by hand.

Depth adjustment (5)

1. Loosen the lock lever for depth adjustment **20**.
2. Hold the baseplate flat against the edge of the work piece and lift the body of the saw until the blade is at the right depth determined by the depth gauge **19** (align the scale line).
3. Tighten the lock lever for depth adjustment.

Angle adjustment (6)

1. Loosen the Lock knob for angle adjustment **8**.
2. Adjust the shoe to the desired angle between 0° to 45° [See Angle gauge **7**].
3. Tighten the lock knob for angle adjustment.

Switch on and off (7)

Before engage the ON/OFF switch, check that the saw blade is properly fitted and run smoothly, the blade clamp screw is well tightened.

1. Connect the plug to the power supply, the power-on indicator **4** is illuminated until the tool disconnect from the power mains.
2. To switch on the circular saw, press the lock-off button **17** and pull the ON/OFF switch trigger **16**.
3. When you release the switch trigger **16**, the tool turns off.

Parallel cut adjustment (8)

1. Loosen the lock knob of edge guide **9**.
2. Slide the edge guide **11** through the slots in the shoe to the desired width.
3. Tighten the lock bolt to secure it in the position.
4. Ensure that the edge guide rests against the wood along its entire length to give a consistent parallel cuts.

Replacement of the Carbon Brushes (9)

For safety reasons, the machine automatically switches off if the carbon brushes are so worn out that they no longer have contact with the motor. In that case, the carbon brushes must be replaced by a pair similar carbon brush available through the after-sales service organization or qualified professional person. Loosen the carbon brush cover anti-clockwise with using a screwdriver, open the cover and remove the carbon brushes. If they are 6 mm or less then they must both be replaced. Fit new carbon brushes and replace the brush housing.

CAUTION: The brushes must always be replaced in pairs.

CAUTION: Always disconnect the machine from the power supply before removing any electrical covers.

OPERATION**General cut**

1. When starting, always hold the saw handle with one hand and the auxiliary handle **5** with the other hand. Never force the saw but maintain a light and continuous pressure after completing the cut allow the saw to come to a complete stop. When cutting is interrupted, resume cutting by allowing the blade to reach full speed and then reentering the cut slowly.
2. When cutting across the grain, the fibers of the wood have a tendency to lift and tear, moving the saw slowly minimizes this effect.

Pocket cut

1. Disconnect the plug from the power supply before making any adjustments. Set the depth adjustment based on the thickness of the line drawing for the cut. Raise the lower guard by using the lift lever.
2. With the blade barely above the material to be cut, start the saw and allow the blade to come to full speed. Gradually lower the blade into the material to be cut using the front end of the shoe as a pivot point. When the blade starts cutting, release the lower guard. When the shoe

is resting flat on the surface being cut, proceed cutting in a forward direction to the end of the cut. Allow the blade to come to a full stop before removing it from the cut. Never pull the saw backward since the blade will climb out of the cut and kickback will occur. Turn the saw around and finish the cut in a normal manner, sawing forward. Use a jigsaw or a hand saw to finish the cut in the corners, if required.

Cutting Large Sheets

1. Large sheet or boards require support to prevent bends or sags. If you attempt to cut without leveling and properly supporting the work piece, the blade will tend to bind, causing kickback.
2. Support the panel or board close to the cut. Be sure to set the blade adjustment so that you can cut through the material without cutting into the table or workbench. Suggestion: use two by fours to support the board or panel to be cut. If the piece is too large for the workbench, use the floor with the two-by fours supporting the wood.

MAINTENANCE

1. To prevent accidents, always unplug the saw from the power source before cleaning or performing any maintenance the saw may be cleaned most effectively using compressed air. Always wear safety goggles when using compressed air. If compressed air is not available, use a brush to remove dust and chips from the saw.
2. Motor ventilation vents and switch levers must be kept clean and free of foreign matter. Do not attempt to clean by inserting pointed objects through openings.
3. Never use any caustic agents to clean plastic parts. Such as: gasoline, carbon tetrachloride, chlorinated cleaning solvents, ammonia and household cleaners containing ammonia. Do not use any of these to clean the saw.
4. Have an authorized service center examine and/or replace the worn carbon brushes in the event of excessive parking.
5. Blades become dull even when cutting regular lumber, a sure sign of a dull blade is the need to force the saw forward instead of guiding it while making a cut. Take the blade to a service center for sharpening.
6. Keep the machine clean all the time.
7. If you discover any damage, consult the exploded drawing and parts list to determine exactly which replacement part you need to order from our customer service department.
8. Clean the housing only with a damp cloth. Do not use any solvents! Dry thoroughly afterwards. In order to maintain battery capacity, we recommend the battery to be completely discharged every one month and fully recharged again. Only store with a fully charged battery and top-up the charge from time to time if stored for a long time. Store in a dry and frost-free place, the ambient temperature should not exceed 40°C.
9. If the supply cord of this power tool is damaged, it must be replaced by a similar cord available

through the service organization or a qualified authoritative technician.

CAUTION: Do not use cleaning agents to clean the plastic parts of the tool. A mild detergent on a damp cloth is recommended. Water must never come into contact with the tool.

Meaning of crossed - out wheeled dustbin:

Do not dispose of electrical appliances as unsorted municipal waste, use separate collection facilities. Contact your local government for information regarding the collection systems available. If electrical appliances are disposed of in landfills or dumps, hazardous substances can leak into the groundwater and get into the food chain, damaging your health and well-being.

WARRANTY

This product is warranted in accordance with the legal/ country specific regulations, effective from the date of purchase by the first user. Damage attributable to normal wear and tear, overload or improper handling will be excluded from the warranty. In case of a claim, please send the machine, completely assembled, to your dealer or the official service center.

Français

AVERTISSEMENTS DE SÉCURITÉ GÉNÉRAUX POUR L' OUTIL

Lire tous les avertissements de sécurité et toutes les instructions. Ne pas suivre les avertissements et instructions peut donner lieu à un choc électrique, un incendie et/ou une blessure sérieuse.

Conserver tous les avertissements et toutes les instructions pour pouvoir s'y reporter ultérieurement.

Le terme «outil» dans les avertissements fait référence à votre outil électrique alimenté par le secteur (avec cordon d'alimentation) ou votre outil fonctionnant sur batterie (sans cordon d'alimentation).

Sécurité de la zone de travail

- ▶ Conserver la zone de travail propre et bien éclairée. Les zones en désordre ou sombres sont propices aux accidents.
- ▶ Ne pas faire fonctionner les outils électriques en atmosphère explosive, par exemple en présence de liquides inflammables, de gaz ou de poussières. Les outils électriques produisent des étincelles qui peuvent enflammer les poussières ou les fumées.
- ▶ Maintenir les enfants et les personnes présentes à l'écart pendant l'utilisation de l'outil. Les distractions peuvent vous faire perdre le contrôle de l'outil.

Sécurité électrique

- ▶ Il faut que les fiches de l'outil électrique soient adaptées au socle. Ne jamais modifier la fiche de quelque façon que ce soit. Ne pas utiliser d'adaptateurs avec des outils à branchement de terre. Des fiches non modifiées et des socles adaptés réduiront le risque de choc électrique.
- ▶ Éviter tout contact du corps avec des surfaces reliées à la terre telles que les tuyaux, les radiateurs, les cuisinières et les réfrigérateurs. Il existe un risque accru de choc électrique si votre corps est relié à la terre.
- ▶ Ne pas exposer les outils à la pluie ou à des conditions humides. La pénétration d'eau à l'intérieur d'un outil augmentera le risque de choc électrique.
- ▶ Ne pas maltraiter le cordon. Ne jamais utiliser le cordon pour porter, tirer ou débrancher l'outil. Maintenir le cordon à l'écart de la chaleur, du lubrifiant, des arêtes ou des parties en mouvement. Les cordons endommagés ou emmêlés augmentent le risque de choc électrique.
- ▶ Lorsqu'on utilise un outil à l'extérieur, utiliser un prolongateur adapté à l'utilisation extérieure. L'utilisation d'un cordon adapté à l'utilisation extérieure réduit le risque de choc électrique.
- Si l'usage d'un outil dans un emplacement humide est inévitable, utiliser une alimentation protégée par un dispositif à courant différentiel résiduel (RCD). L'usage d'un RCD réduit le risque de choc électrique.

Sécurité des personnes

- ▶ Rester vigilant, regarder ce que vous êtes en train de faire et faire preuve de bon sens dans l'utilisation de l'outil. Ne pas utiliser un outil lorsque vous êtes fatigué ou sous l'emprise de drogues, d'alcool ou de médicaments. Un moment d'inattention en cours d'utili-

sation d'un outil peut entraîner des blessures graves des personnes.

- ▶ Utiliser un équipement de sécurité. Toujours porter une protection pour les yeux. Les équipements de sécurité tels que les masques contre les poussières, les chaussures de sécurité antidérapantes, les casques ou les protections acoustiques utilisés pour les conditions appropriées réduiront les blessures des personnes.
- ▶ Éviter tout démarrage intempestif. S'assurer que l'interrupteur est en position arrêt avant de brancher l'outil au secteur et/ou au bloc de batteries, de le ramasser ou de le porter. Porter les outils en ayant le doigt sur l'interrupteur ou brancher des outils dont l'interrupteur est en position marche est source d'accidents.
- ▶ Retirer toute clé de réglage avant de mettre l'outil en marche. Une clé laissée fixée sur une partie tournante de l'outil peut donner lieu à des blessures de personnes.
- ▶ Ne pas se précipiter. Garder une position et un équilibre adaptés à tout moment. Cela permet un meilleur contrôle de l'outil dans des situations inattendues.
- ▶ S'habiller de manière adaptée. Ne pas porter de vêtements amples ou de bijoux. Garder les cheveux, les vêtements et les gants à distance des parties en mouvement. Des vêtements amples, des bijoux ou les cheveux longs peuvent être pris dans des parties en mouvement.
- ▶ Si des dispositifs sont fournis pour le raccordement d'équipements pour l'extraction et la récupération des poussières, s'assurer qu'ils sont connectés et correctement utilisés. Utiliser des collecteurs de poussière peut réduire les risques dus aux poussières.

Utilisation et entretien de l'outil

- ▶ Ne pas forcer l'outil. Utiliser l'outil adapté à votre application. L'outil adapté réalisera mieux le travail et de manière plus sûre au régime pour lequel il a été construit.
- ▶ Ne pas utiliser l'outil si l'interrupteur ne permet pas de passer de l'état de marche à arrêt et vice versa. Tout outil qui ne peut pas être commandé par l'interrupteur est dangereux et il faut le faire réparer.
- ▶ Débrancher la fiche de la source d'alimentation en courant et/ou le bloc de batteries de l'outil avant tout réglage, changement d'accessoires ou avant de ranger l'outil. De telles mesures de sécurité préventives réduisent le risque de démarrage accidentel de l'outil.
- ▶ Conserver les outils à l'arrêt hors de la portée des enfants et ne pas permettre à des personnes ne connaissant pas l'outil ou les présentes instructions de le faire fonctionner. Les outils sont dangereux entre les mains d'utilisateurs novices.
- ▶ Observer la maintenance de l'outil. Vérifier qu'il n'y a pas de mauvais alignement ou de blocage des parties mobiles, des pièces cassées ou toute autre condition pouvant affecter le fonctionnement de l'outil. En cas de dommages, faire réparer l'outil avant de l'utiliser. De nombreux accidents sont dus à des outils mal entretenus.
- ▶ Garder affûtés et propres les outils permettant de couper. Des outils destinés à couper correctement entretenus avec des pièces coupantes tranchantes sont moins susceptibles de bloquer et sont plus faciles à contrôler.
- ▶ Utiliser l'outil, les accessoires et les lames etc., confor-

mément à ces instructions, en tenant compte des conditions de travail et du travail à réaliser. L' utilisation de l' outil pour des opérations différentes de celles prévues pourrait donner lieu à des situations dangereuses.

Maintenance et entretien

Faire entretenir l' outil par un réparateur qualifié utilisant uniquement des pièces de rechange identiques. Cela assurera que la sécurité de l' outil est maintenue.

INSTRUCTIONS DE SÉCURITÉ POUR SCIES CIRCULAIRES

Procédures de coupe

- ▶ **DANGER:** N' approchez pas les mains de la zone de coupe et de la lame. Gardez la deuxième main sur la poignée auxiliaire ou sur le boîtier du moteur. Si les deux mains tiennent la scie, elles ne peuvent pas être coupées par la lame.
- ▶ N' exposez aucune partie de votre corps sous la pièce à travailler. Le protecteur ne peut pas vous protéger de la lame sous la pièce à travailler.
- ▶ Ajustez la profondeur de coupe à l' épaisseur de la pièce à travailler. Il convient que moins de la totalité d' une dent parmi toutes les dents de la lame soit visible sous la pièce à travailler.
- ▶ Ne tenez jamais la pièce à débiter dans vos mains ou sur vos jambes. Assurez-vous que la pièce à travailler se trouve sur une plate-forme stable. Il est important que la pièce à travailler soit soutenue convenablement, afin de minimiser l' exposition du corps, le grippage de la lame, ou la perte de contrôle.
- ▶ Maintenez l' outil uniquement par les surfaces de prise isolantes, si l' outil coupant, en marche, peut être en contact avec des conducteurs cachés ou avec son propre cordon d' alimentation. Le contact avec un fil «sous tension» mettra également «sous tension» les parties métalliques exposées de l' outil et provoquera un choc électrique sur l' opérateur.
- ▶ Lors d' une coupe, utilisez toujours un guide parallèle ou un guide à bords droits. Cela améliore la précision de la coupe et réduit les risques de grippage de la lame.
- ▶ Toujours utiliser des lames de scie de la bonne taille, de forme adaptée à l' alésage de fixation (par ex. en losange ou rondes). Des lames ne convenant pas aux pièces de montage de la scie ne tournent pas rond et conduisent à une perte de contrôle.
- ▶ N' utilisez jamais de rondelles ou de boulons de lames endommagés ou inadaptés. Les rondelles et les boulons de lames ont été spécialement conçus pour votre scie, afin de garantir une performance optimale et une sécurité de fonctionnement.
- ▶ Causes du recul et mises en garde correspondantes
 - le recul est une réaction soudaine observée sur une lame de scie pincée, bloquée ou mal alignée, faisant sortir la scie de la pièce à travailler de manière incontrôlée dans la direction de l' opérateur;
 - lorsque la lame est pincée ou bloquée fermement par le fond du trait de scie, la lame se bloque et le moteur fait retourner brutalement le bloc à l' opérateur;
 - si la lame se tord ou est mal alignée lors de la coupe, les dents sur le bord arrière de la lame peuvent creu-

ser la face supérieure du bois, ce qui fait que la lame sort du trait de scie et est projetée sur l' opérateur. Le recul est le résultat d' un mauvais usage de la scie et/ou de procédures ou de conditions de fonctionnement incorrectes et peut être évité en prenant les précautions adéquates spécifiées ci-dessous.

- ▶ Maintenez fermement la scie avec les deux mains et positionnez vos bras afin de résister aux forces de recul. Positionnez votre corps de chaque côté de la lame, mais pas dans l' alignement de la lame. Le recul peut faire revenir la scie en arrière, mais les forces de recul peuvent être maîtrisées par l' opérateur, si les précautions adéquates sont prises.
- ▶ Lorsque la lame est grippée ou lorsqu' une coupe est interrompue pour quelque raison que ce soit, relâchez le bouton de commande et maintenez la scie immobile dans le matériau, jusqu'à ce que la lame arrête complètement de fonctionner. N' essayez jamais de retirer la scie de la pièce à travailler ou de tirer la scie en arrière pendant que la lame est en mouvement ou que le recul peut se produire. Recherchez et prenez des mesures correctives afin d' empêcher que la lame ne se grippe.
- ▶ Lorsque vous remettez en marche une scie dans la pièce à travailler, centrez la lame de scie dans le trait de scie et vérifiez que les dents de la scie ne soient pas rentrées dans le matériau. Si la lame de scie est grippée, elle peut venir chevaucher la pièce à travailler ou en sortir lorsque la scie est remise en fonctionnement.
- ▶ Placez des panneaux de grande taille sur un support afin de minimiser les risques de pincement de la lame et de recul. Les grands panneaux ont tendance à fléchir sous leur propre poids. Les supports doivent être placés sous le panneau des deux côtés, près de la ligne de coupe et près du bord du panneau.
- ▶ N' utilisez pas de lames émoussées ou endommagées. Des lames non aiguisées ou mal fixées entraînent un trait de scie rétréci, provoquant trop de frottements, un grippage de la lame et un recul.
- ▶ La profondeur de la lame et les leviers de verrouillage et de réglage du biseau doivent être solides et stables avant de réaliser la coupe. Si l' ajustement de la lame dérive pendant la coupe, cela peut provoquer un grippage et un recul.
- ▶ Soyez d' autant plus prudent lorsque vous découpez des parois existantes ou d' autres zones sans visibilité. La lame saillante peut couper des objets qui peuvent entraîner un recul.

Fonctionnement du protecteur inférieur

- ▶ Vérifiez que le protecteur inférieur soit bien fermé avant chaque utilisation. Ne mettez pas la scie en marche si le protecteur inférieur ne se déplace pas librement et ne se ferme pas instantanément. Ne serrez jamais ou n' attachez jamais le protecteur inférieur en position ouverte. Si la scie tombe accidentellement, le protecteur inférieur peut se tordre. Soulevez le protecteur inférieur avec la poignée rétractive et assurez-vous qu' il bouge librement et n' est pas en contact avec la lame ou toute autre partie, à tous les angles et profondeurs de coupe.
- ▶ Vérifiez le fonctionnement du ressort du protecteur inférieur. Si le protecteur et le ressort ne fonctionnent pas correctement, ils doivent être révisés avant utilisation. Le protecteur inférieur peut fonc-

tionner lentement en raison d'éléments endommagés, de dépôts collants ou de l'accumulation de débris.

- ▶ N'ouvrez le protecteur inférieur à la main que pour certaines coupes particulières, notamment les «coupes plongeantes ou angulaires». Ouvrez alors le protecteur inférieur avec le levier de basculement et relâchez-le dès que la lame a plongé dans la pièce. Pour tous les autres travaux de sciage, laissez le protecteur inférieur fonctionner automatiquement.
- ▶ Vérifiez toujours que le protecteur inférieur recouvre la lame avant de poser la scie sur un établi ou sur le sol. Une lame non protégée et continuant à fonctionner par inertie entraînera la scie en arrière, et coupera alors tout ce qui se trouve sur sa trajectoire. Soyez conscient du temps nécessaire à la lame pour s'arrêter après que l'interrupteur est relâché.

SPÉCIFICATIONS TECHNIQUES:

N° d'article	41 343	
Modèle	CS 55/1200 PLUS	
Tension / Fréquence	V/Hz	220-240/50
Puissance nominale	W	1.200
Vitesse hors charge	min ⁻¹	5.500
Taille de la lame	mm	Ø165
Profondeur maximale de coupe à 90°	mm	55
Profondeur maximale de coupe à 45°	mm	36
Poids (sans accessoires) env.	kg	3,5

Classe de protection  / II

Valeurs d'émissions sonores déterminées selon la norme EN 60745-1, EN 60745-2-5

Les mesures réelles (A) des niveaux sonores de l'appareil sont

Niveau de pression acoustique	dB(A)	92,7
Niveau d'intensité acoustique	dB(A)	103,7
Incertitude K	dB	3

Portez une protection acoustique!

Valeurs totales des vibrations a_v (somme vectorielle des trois axes directionnels) et incertitude K relevées conformément à la norme EN 60745-1, EN 60745-2-5

Valeurs totales des vibrations:

a _h	m/s ²	4,75
K	m/s ²	1,5

Description fonctionnelle:

1. Levier du protège-lame inférieur
2. Orifice d'extraction de la poussière
3. Lame de scie
4. Indicateur d'alimentation
5. Poignée auxiliaire
6. Couvercle des balais au carbone
7. Règle d'angle
8. Vis de blocage pour réglage de l'angle
9. Vis de blocage pour guide en bordure
10. Semelle
11. Guide de bordure
12. Bride extérieure
13. Vis de serrage de la lame
14. Protège-lame inférieur
15. Bouton de blocage de la fusée
16. Interrupteur MARCHÉ / ARRÊT
17. Bouton de blocage
18. Poignée principale
19. Règle de profondeur
20. Levier de blocage de réglage de la profondeur

MONTAGE

Important : Avant tout montage et tout réglage, toujours débrancher l'outil.

Changer la lame (3, 4)

Avertissement: Toujours débrancher la prise de l'alimentation, avant tout réglage ou d'attacher un accessoire. Ne pas utiliser de roulettes abrasives.

1. Mettre cette scie circulaire sur le côté, sur une surface plane. Nous vous conseillons de positionner la semelle vers le bas comme pour une découpe profonde, car elle est ainsi plus facile à utiliser.
2. Appuyer sur le bouton de blocage de la fusée **15** vers le carter moteur, comme l'indique la flèche sur la image 3 et bien tenir.
3. Faire pivoter la vis de serrage de la lame **13** dans le sens contraire des aiguilles d'une montre, en utilisant la clé Allen fournie avec l'outil.
4. Déposer la vis de serrage de la lame et la bride extérieure **12**.
5. Soulever le protège-lame inférieur **14** en utilisant le levier **1** puis déposer la lame de scie.
6. Nettoyer les brides de la lame de scie, puis installer la nouvelle lame de scie sur la fusée, et contre la bride intérieure.
7. S'assurer que les dents de la lame et la flèche se trouvent sur celle-ci, soient dans le même sens que la flèche se trouvant sur la protection extérieure.
8. Remettre la bride extérieure et visser la vis de serrage de la lame.
9. S'assurer que la lame de scie puisse tourner librement, en la faisant tourner à la main.

Réglage de la profondeur (5)

1. Desserrer le levier de blocage de réglage de la profondeur **20**.
2. Tenir la semelle bien à plat contre le bord de la pièce à découper, et soulever la scie jusqu'à ce que la lame se trouve à la profondeur déterminée par la règle de profondeur **19** (aligner la graduation).
3. Serrer le levier de blocage de réglage de la profondeur.

Réglage de l'angle (6)

1. Desserrer la vis de blocage pour régler l'angle **8**.
2. Ajuster la semelle à l'angle désiré, entre 0° et 45°. [Cf. Règle d'angle **7**].
3. Visser la vis de blocage pour réglage de l'angle.

Allumer et éteindre (7)

Avant d'allumer l'interrupteur MARCHE / ARRÊT, vérifier que la lame de la scie soit correctement installée et qu'elle tourne correctement, que la vis de serrage de la lame soit bien vissée.

1. Brancher la prise sur l'alimentation électrique, l'indicateur Marche / Arrêt **4** s'allume jusqu'à ce que l'outil soit débranché de la prise secteur.
2. Pour allumer la scie circulaire, appuyer sur le bouton de blocage **17** et tirer sur la gâchette de l'interrupteur MARCHE / ARRÊT **16**.
3. Lorsque vous relâchez la gâchette **16**, l'outil s'éteint.

Réglage de découpe parallèle (8)

1. Dévisser la vis de blocage du guide de refend **9**.
2. Faire glisser le guide de refend **11** dans les fentes de la semelle pour le mettre sur la largeur désirée.
3. Serrer la vis de blocage pour le maintenir en position.
4. S'assurer que le guide de refend repose contre le bois, sur toute sa longueur, pour que les coupes soient toutes parallèles.

Remplacement des balais au carbone (9)

Pour des raisons de sécurité, la machine s'arrête automatiquement si les balais au carbone sont si usés qu'ils ne touchent plus le moteur. Dans ce cas, les balais au carbone doivent être remplacés par une paire de balais au carbone similaire, à se procurer auprès de la société de après-vente ou d'un professionnel qualifié. Desserrer le couvercle des balais au carbone dans le sens inverse des aiguilles d'une montre à l'aide d'un tournevis, ouvrir le couvercle et retirer les balais. Si leur dimension est inférieure ou égale à 6 mm, ils doivent tous les deux être remplacés. Installer de nouveaux balais au carbone et remettre le carter des balais.

ATTENTION: Les balais doivent toujours être remplacés par paires.

ATTENTION: Débrancher toujours la machine de l'alimentation électrique, avant de retirer les couvercles de protection électrique.

UTILISATION

Coupe d'ordre général

1. Lors de l'allumage, toujours tenir la poignée de la scie d'une main, et la poignée auxiliaire **5** de l'autre main. Ne jamais forcer sur la scie, mais appuyer légèrement et continuer après avoir terminé de couper, pour permettre à la scie de s'arrêter complètement. Lorsque la coupe est interrompue, recommencer à découper en laissant la lame atteindre sa vitesse maximale et en la faisant de nouveau pénétrer lentement.
2. Lorsque la coupe se fait transversalement aux fibres du bois, ces dernières ont tendance à se soulever et à se déchirer; déplacer la scie lentement minimise cet effet.

Découpe intérieure

1. Débrancher la prise de l'alimentation avant d'effectuer tout réglage. Régler la profondeur en fonction de l'épaisseur de la coupe indiquée sur le dessin. Soulever le protège-lame inférieur en utilisant le levier de levage.
2. Une fois la lame légèrement au-dessus du matériau à découper, allumer la scie et laisser la lame atteindre sa pleine vitesse. Abaisser progressivement la lame sur le matériau à couper, en utilisant l'avant de la semelle comme pivot. Lorsque la lame commence à couper, relâcher le protège-lame. Lorsque la semelle repose à plat sur la surface à découper, continuer à couper en allant en avant jusqu'en fin de coupe. Laisser la lame s'arrêter complètement avant de la retirer. Ne jamais tirer la scie en arrière car la lame s'extraîra d'un seul coup et un retour de lame s'en suivra. Retourner la scie et terminer la coupe normalement, en sciant en avant. Utiliser une scie sauteuse ou une scie à main pour finir de couper dans les coins, si nécessaire.

Couper de grandes plaques

1. Les grandes plaques ou planches doivent être soutenues pour éviter qu'elles ne plient ou s'affaissent. Si vous essayez de couper sans être de niveau, et sans correctement soutenir la pièce, la lame aura tendance à bloquer, provoquant un retour de lame.
2. Soutenir le panneau ou la planche, près de l'endroit de où s'effectue la coupe. Veiller à régler la lame afin de pouvoir couper le matériau sans découper la table ou l'établi en-dessous. Suggestion: utiliser un tasseau pour soutenir la planche ou le panneau à découper. Si la pièce est trop grande pour l'établi, installer deux tasseaux de bois sur le sol et la pièce dessus.

MAINTENANCE

1. Pour éviter les accidents, toujours débrancher la scie de la prise d'alimentation avant de la nettoyer ou d'effectuer tout entretien. La scie se nettoie bien mieux à l'air comprimé. Toujours porter des lunettes de sécurité lors de l'utilisation d'air comprimé. S'il est impossible d'utiliser de l'air comprimé, utiliser une brosse pour enlever la poussière et les copeaux de scie.
2. Les événements de ventilation du moteur et les interrupteurs, doivent rester propres et exempts de corps étrangers. Ne pas essayer de nettoyer en insérant des objets pointus dans les ouvertures.
3. Ne jamais utiliser d'agents caustiques pour nettoyer les pièces en plastique. Notamment: essence, tétrachlorure de carbone, solvants de nettoyage chlorés, ammoniac et nettoyants ménagers contenant de l'ammoniac. N'utiliser aucun d'entre eux pour nettoyer la scie.
4. Faire examiner et / ou remplacer les balais au carbone usés en cas de longues périodes d'inutilisation, par un centre de révision agréé.
5. Les lames s'émousent même lorsque du bois de type normal coupé. Un indice certain d'une lame usée est le besoin de forcer sur la scie au lieu de la guider tout en découpant. Apporter la lame à un centre de révision pour qu'elle y soit aiguisée.
6. La machine doit demeurer propre à tout moment.

7. En cas de dommages constatés, consulter l'éclaté et la liste des pièces détachées, afin de déterminer exactement la pièce de rechange à commander auprès de notre service Clientèle.
8. Ne nettoyer le boîtier qu'à l'aide d'un chiffon humide. Ne pas utiliser de solvants ! Sécher soigneusement ensuite. Afin de conserver la capacité de la pile, nous recommandons de la décharger complètement tous les mois, et de la recharger complètement. Ne stocker que lorsque la pile est complètement chargée, et recharger la pile de temps en temps si elle est stockée pendant une longue période. Conserver dans un endroit sec et à l'abri du gel. La température ambiante ne doit pas dépasser 40 °C.
9. Si le fil d'alimentation de cet outil électrique est endommagé, il doit être remplacé par un fil similaire qu'il est possible de se procurer auprès du centre de révision ou d'un technicien qualifié.

ATTENTION: Ne pas utiliser de produits de nettoyage pour nettoyer les pièces en plastique de l'outil. Un détergent doux sur un chiffon humide est recommandé. L'eau ne doit jamais entrer en contact avec l'outil.

Signification de la poubelle à roues, barrée:

Ne pas jeter les appareils électriques au même endroit que les déchets municipaux non triés. Les jeter dans d'autres installations de recueil. Contacter le service gouvernemental local pour obtenir des informations sur les systèmes de recueil à disposition du public. Si des appareils électriques sont jetés à la décharge, des substances dangereuses peuvent s'infiltrer dans les eaux souterraines, et s'infiltrer dans la chaîne alimentaire, nuisant ainsi à votre santé.

GARANTIE

Ce produit est garanti conformément aux réglementations légales / nationales, en vigueur à compter de la date d'achat par le premier utilisateur. Les dommages attribuables à une usure normale, une surcharge ou une mauvaise manipulation seront exclus de la garantie. En cas de réclamation, veuillez envoyer la machine, complètement assemblée, à votre revendeur ou au centre de service officiel.

Italiano

AVVERTENZE GENERALI DI PERICOLO PER ELETTROUTENSILI

Leggere tutte le avvertenze di pericolo e le istruzioni operative. In caso di mancato rispetto delle avvertenze di pericolo e delle istruzioni operative si potrà creare il pericolo di scosse elettriche, incendi e/o incidenti gravi.

Conservare tutte le avvertenze di pericolo e le istruzioni operative per ogni esigenza futura.

Il termine «elettroutensile» utilizzato nelle avvertenze di pericolo si riferisce ad utensili elettrici alimentati dalla rete (con linea di allacciamento) ed ad utensili elettrici alimentati a batteria (senza linea di allacciamento).

Sicurezza della postazione di lavoro

- ▶ Tenere la postazione di lavoro sempre pulita e ben illuminata. Il disordine oppure zone della postazione di lavoro non illuminate possono essere causa di incidenti.
- ▶ Evitare d'impiegare l'elettroutensile in ambienti soggetti al rischio di esplosioni nei quali si abbia presenza di liquidi, gas o polveri infiammabili. Gli elettroutensili producono scintille che possono far infiammare la polvere o i gas.
- ▶ Tenere lontani i bambini ed altre persone durante l'impiego dell'elettroutensile. Eventuali distrazioni potranno comportare la perdita del controllo sull'elettroutensile.

Sicurezza elettrica

- ▶ La spina di allacciamento alla rete dell'elettroutensile deve essere adatta alla presa. Evitare assolutamente di apportare modifiche alla spina. Non impiegare spine adattatrici assieme ad elettroutensili dotati di collegamento a terra. Le spine non modificate e le prese adatte allo scopo riducono il rischio di scosse elettriche.
- ▶ Evitare il contatto fisico con superfici collegate a terra, come tubi, riscaldamenti, cucine elettriche e frigoriferi. Sussiste un maggior rischio di scosse elettriche nel momento in cui il corpo è messo a massa.
- ▶ Custodire l'elettroutensile al riparo dalla pioggia o dall'umidità. La penetrazione dell'acqua in un elettroutensile aumenta il rischio di una scossa elettrica.
- ▶ Non usare il cavo per scopi diversi da quelli previsti ed, in particolare, non usarlo per trasportare o per appendere l'elettroutensile oppure per estrarre la spina dalla presa di corrente. Non avvicinare il cavo a fonti di calore, olio, spigoli taglienti e neppure a parti della macchina che siano in movimento. I cavi danneggiati o aggrovigliati aumentano il rischio d'insorgenza di scosse elettriche.
- ▶ Qualora si voglia usare l'elettroutensile all'aperto, impiegare solo ed esclusivamente cavi di prolunga che siano adatti per l'impiego all'esterno. L'uso di un cavo di prolunga omologato per l'impiego all'esterno riduce il rischio d'insorgenza di scosse elettriche.
- ▶ Qualora non fosse possibile evitare di utilizzare l'elettroutensile in ambiente umido, utilizzare un interruttore di sicurezza. L'uso di un interruttore di sicurezza riduce il rischio di una scossa elettrica.

Sicurezza delle persone

- ▶ È importante concentrarsi su ciò che si sta facendo e maneggiare con giudizio l'elettrotensile durante le operazioni di lavoro. Non utilizzare mai l'elettrotensile in caso di stanchezza oppure quando ci si trovi sotto l'effetto di droghe, bevande alcoliche e medicinali. Un attimo di distrazione durante l'uso dell'elettrotensile può essere causa di gravi incidenti.
- ▶ Indossare sempre equipaggiamento protettivo individuale nonché occhiali protettivi. Indossando abbigliamento di protezione personale come la maschera per polveri, scarpe di sicurezza che non scivolino, elmetto di protezione oppure protezione acustica a seconda del tipo e dell'applicazione dell'elettrotensile, si riduce il rischio di incidenti.
- ▶ Evitare l'accensione involontaria dell'elettrotensile. Prima di collegarlo alla rete di alimentazione elettrica e/o alla batteria ricaricabile, prima di prenderlo oppure prima di iniziare a trasportarlo, assicurarsi che l'elettrotensile sia spento. Tenendo il dito sopra l'interruttore mentre si trasporta l'elettrotensile oppure collegandolo all'alimentazione di corrente con l'interruttore inserito, si vengono a creare situazioni pericolose in cui possono verificarsi seri incidenti.
- ▶ Prima di accendere l'elettrotensile togliere gli atri di regolazione o la chiave inglese. Un accessorio oppure una chiave che si trovi in una parte rotante della macchina può provocare seri incidenti.
- ▶ Evitare una posizione anomala del corpo. Avere cura di mettersi in posizione sicura e di mantenere l'equilibrio in ogni situazione. In questo modo è possibile controllare meglio l'elettrotensile in caso di situazioni inaspettate.
- ▶ Indossare vestiti adeguati. Non indossare vestiti larghi, né portare bracciali e catenine. Tenere i capelli, i vestiti ed i guanti lontani da pezzi in movimento. Vestiti lenti, gioielli o capelli lunghi potranno impigliarsi in pezzi in movimento.
- ▶ In caso fosse previsto il montaggio di dispositivi di aspirazione della polvere e di raccolta, assicurarsi che gli stessi siano collegati e che vengano utilizzati correttamente. L'utilizzo di un'aspirazione polvere può ridurre lo svilupparsi di situazioni pericolose dovute alla polvere.

Trattamento accurato ed uso corretto degli elettrotensili

- ▶ Non sottoporre la macchina a sovraccarico. Per il proprio lavoro, utilizzare esclusivamente l'elettrotensile esplicitamente previsto per il caso. Con un elettrotensile adatto si lavora in modo migliore e più sicuro nell'ambito della sua potenza di prestazione.
- ▶ Non utilizzare mai elettrotensili con interruttori difettosi. Un elettrotensile con l'interruttore rotto è pericoloso e deve essere aggiustato.
- ▶ Prima di procedere ad operazioni di regolazione sulla macchina, prima di sostituire parti accessorie oppure prima di posare la macchina al termine di un lavoro, estrarre sempre la spina dalla presa della corrente e/o estrarre la batteria ricaricabile. Tale precauzione eviterà che l'elettrotensile possa essere messo in funzione involontariamente.
- ▶ Quando gli elettrotensili non vengono utilizzati, conservarli al di fuori del raggio di accesso di bam-

bini. Non fare usare l'elettrotensile a persone che non siano abituate ad usarlo o che non abbiano letto le presenti istruzioni. Gli elettrotensili sono macchine pericolose quando vengono utilizzati da persone non dotate di sufficiente esperienza.

- ▶ Eseguire la manutenzione dell'elettrotensile operando con la dovuta diligenza. Accertarsi che le parti mobili della macchina funzionino perfettamente, che non s'inceppino e che non ci siano pezzi rotti o danneggiati al punto da limitare la funzione dell'elettrotensile stesso. Prima di iniziare l'impiego, far riparare le parti danneggiate. Numerosi incidenti vengono causati da elettrotensili la cui manutenzione è stata effettuata poco accuratamente.
- ▶ Mantenere gli utensili da taglio sempre affilati e puliti. Gli utensili da taglio curati con particolare attenzione e con taglienti affilati s'inceppano meno frequentemente e sono più facili da condurre.
- ▶ Utilizzare l'elettrotensile, gli accessori opzionali, gli utensili per applicazioni specifiche ecc., sempre attenendosi alle presenti istruzioni. Così facendo, tenere sempre presente le condizioni di lavoro e le operazioni da eseguire. L'impiego di elettrotensili per usi diversi da quelli consentiti potrà dar luogo a situazioni di pericolo.

Assistenza

Fare riparare l'elettrotensile solo ed esclusivamente da personale specializzato e solo impiegando pezzi di ricambio originali. In tale maniera potrà essere salvaguardata la sicurezza dell'elettrotensile.

INDICAZIONI DI SICUREZZA PER SEGHE CIRCOLARI

Procedure di taglio

- ▶ **PERICOLO:** Mai avvicinare le mani alla zona operativa e neppure alla lama di taglio. Utilizzare la seconda mano per afferrare l'impugnatura supplementare oppure la carcassa del motore. Tenendo la sega con entrambe le mani si evita che la lama di taglio possa diventare un pericolo per le mani.
- ▶ Mai afferrare con le mani la parte inferiore del pezzo in lavorazione. Nella zona al di sotto del pezzo in lavorazione la calotta di protezione non presenta alcuna protezione contro la lama di taglio.
- ▶ Adattare la profondità di taglio allo spessore del pezzo in lavorazione. Nella parte inferiore del pezzo in lavorazione la lama deve uscire in misura inferiore all'altezza del dente.
- ▶ Non tenere mai con le mani il pezzo in lavorazione che si intende tagliare e non appoggiarlo neppure sulla gamba. Assicurare il pezzo in lavorazione su un supporto stabile. Per ridurre al minimo possibile il pericolo di un contatto con il corpo, la possibilità di un blocco della lama di taglio oppure la perdita del controllo, è importante fissare bene il pezzo in lavorazione.
- ▶ Afferrare l'elettrotensile esclusivamente dalle superfici isolate dell'impugnatura qualora venissero effettuati lavori durante i quali l'utensile da taglio potrebbe venire a contatto con cavi elettrici nascosti oppure con il cavo di alimentazione dell'elettrotensile stesso. Il contatto con un cavo sotto tensione trasmette la tensione anche alle parti metalliche dell'

elettroutensile, causando una scossa elettrica.

- ▶ In caso di taglio longitudinale utilizzare sempre una battuta oppure una guida angolare dritta. In questo modo è possibile migliorare la precisione del taglio riducendo il pericolo che la lama di taglio possa incepparsi.
- ▶ Utilizzare sempre lame per seghe che abbiano la misura corretta ed il foro di montaggio adatto (p. es. a rombo oppure rotondo). In caso di lame per sega inadatte ai relativi pezzi di montaggio, la rotazione non sarà perfettamente circolare e si crea il pericolo di una perdita di controllo.
- ▶ Mai utilizzare rondelle oppure viti per lama di taglio che non dovessero essere in perfetto stato o che non dovessero essere adatte. Le rondelle e le viti per lama di taglio sono appositamente previste per la Vostra sega e sono state realizzate per raggiungere ottimali prestazioni e massima sicurezza di utilizzo.
- ▶ Contraccolpo - Cause e relative indicazioni di sicurezza
 - Un contraccolpo è l'improvvisa reazione in seguito ad agganciamento, blocco oppure allineamento errato della lama di taglio. Lo stesso può causare che una sega incontrollata si sollevi e, uscendo dal pezzo in lavorazione, si muova in direzione dell'operatore;
 - Se la lama di taglio rimane agganciata oppure bloccata nella fessura di taglio che si chiude, la stessa si blocca e la forza motore spinge indietro la sega in direzione dell'operatore;
 - Se la lama di taglio viene allineata ruotata oppure in modo non corretto nel taglio, i denti del bordo posteriore della lama di taglio rimangono agganciati nella superficie del pezzo in lavorazione causando la fuoriuscita della lama di taglio della fessura di taglio e la sega si muove improvvisamente indietro in direzione dell'operatore. Un contraccolpo è la conseguenza di un uso errato oppure non corretto della sega. Lo stesso può essere evitato prendendo misure precauzionali come descritto di seguito.
- ▶ Tenere la sega ben ferma afferrandola con entrambe le mani e portare le braccia in una posizione che Vi permetta di controllare bene le forze di contraccolpi. Tenere sempre una posizione laterale rispetto alla lama di taglio e mai mettere la lama di taglio in una linea con il Vostro corpo. In caso di un contraccolpo la lama di taglio può balzare all'indietro; comunque, prendendo misure precauzionali adatte l'operatore può essere in grado di controllare le forze di contraccolpo.
- ▶ Qualora la lama di taglio dovesse bloccarsi oppure dovesse essere interrotto il lavoro, spegnere la sega e tenerla ferma in posizione nel pezzo in lavorazione fino a quando la lama non si sarà fermata completamente. Non tentare mai di togliere la sega dal pezzo in lavorazione e neppure tirarla all'indietro fintanto che la lama di taglio si muove. In caso contrario si crea il pericolo di un contraccolpo. Rilevare ed eliminare la causa per il blocco della lama di taglio.
- ▶ Volendo avviare nuovamente una sega che ancora si trova nel pezzo in lavorazione, centrare la lama nella fessura di taglio ed accertarsi che la dentatura della sega non sia rimasta agganciata nel pezzo in lavorazione. Una lama di taglio inceppata può balzare fuori dal pezzo in lavorazione oppure provocare un con-

traccolpo nel momento in cui si avvia nuovamente la sega.

- ▶ Per eliminare il rischio di un contraccolpo dovuto al blocco di una lama di taglio, assicurare bene pannelli di dimensioni maggiori. Pannelli di dimensioni maggiori possono piegarsi sotto il peso proprio. In caso di pannelli è necessario munirli di supporti adatti su entrambi i lati, sia in vicinanza della fessura di taglio che a margine.
- ▶ Non utilizzare mai lame per seghe che non siano più affilate oppure il cui stato generale non dovesse essere più perfetto. Lame per seghe non più affilate oppure deformate implicano un maggiore attrito nella fessura di taglio aumentando il pericolo di blocchi e di contraccolpi della lama di taglio.
- ▶ Prima di eseguire l'operazione di taglio, determinare la profondità e l'angolatura del taglio. Se durante l'operazione di taglio si modificano le registrazioni è possibile che la lama di taglio si blocchi e che si abbia un contraccolpo.
- ▶ Procedere con particolare cautela effettuando tagli in pareti esistenti oppure in altri settori che non possono essere controllati. Durante il taglio la lama di taglio che penetra in oggetti nascosti può bloccarsi e causare un contraccolpo.

Funzione della calotta di protezione inferiore

- ▶ Prima di ogni intervento operativo accertarsi che la calotta di protezione chiuda perfettamente. Non utilizzare la sega in caso non fosse possibile muovere liberamente la calotta di protezione inferiore e non potesse essere chiusa immediatamente. Mai bloccare oppure legare la calotta di protezione inferiore in posizione aperta. Se la sega dovesse accidentalmente cadere a terra è possibile che la calotta di protezione inferiore subisca una deformazione. Operando con la leva di ritorno, aprire la calotta di protezione ed accertarsi che possa muoversi liberamente in ogni angolazione e profondità di taglio senza toccare né lama né nessun altro pezzo.
- ▶ Controllare il funzionamento della molla per la calotta di protezione inferiore. Qualora la calotta di protezione e la molla non dovessero funzionare correttamente, sottoporre la lama di taglio ad un servizio di manutenzione prima di utilizzarla. Componenti danneggiati, depositi di sporcizia appiccicosi oppure accumuli di trucioli comportano una riduzione della funzionalità della calotta inferiore di protezione.
- ▶ Aprire manualmente la cuffia di protezione inferiore soltanto in caso di tagli particolari, ad esempio «tagli ad immersione o dal pieno». Aprire la cuffia di protezione inferiore con la leva di retrazione e rilasciare la leva stessa non appena la lama si inserisca nel pezzo in lavorazione. Per tutte le altre operazioni di taglio, la cuffia di protezione inferiore dovrà operare automaticamente.
- ▶ Non poggiare la sega sul banco di lavoro oppure sul pavimento se la calotta inferiore di protezione non copre completamente la lama di taglio. Una lama di taglio non protetta ed ancora in fase di arresto sposta la sega in senso contrario a quello della direzione di taglio e taglia tutto ciò che incontra. Tenere quindi sempre in considerazione la fase di arresto della sega.

DATI TECNICI:

Codice prodotto	41 343	
Modello	CS 55/1200 PLUS	
Voltaggio/Frequenza	V/Hz	220-240/50
Alimentazione	W	1.200
Velocità a vuoto	min ⁻¹	5.500
Dimensioni della lama	mm	Ø165
Profondità max. di taglio a 90°	mm	55
Profondità max. di taglio a 45°	mm	36
Peso (senza accessori) approssimativo	kg	3,5
Classe di sicurezza	▣ / II	
Valori di emissione acustica rilevati conformemente a EN 60745-1, EN 60745-2-5		
Il livello di rumore stimato A dell'apparecchio ammonta normalmente a		
Livello di pressione acustica	dB(A)	92,7
Livello di potenza sonora	dB(A)	103,7
Incertezza della misura K	dB	3
Usare la protezione acustica!		
Valori complessivi di oscillazione a_n (somma vettoriale delle tre direzioni) e incertezza della misura K misurati conformemente alla norma EN 60745-1, EN 60745-2-5		
Valori complessivi di oscillazione:		
a _n	m/s ²	4,75
K	m/s ²	1,5

Descrizione del funzionamento:

1. Leva della protezione inferiore
2. Bocchetta per aspirazione polveri
3. Lama
4. Indicatore di accensione
5. Impugnatura ausiliaria
6. Coperchio spazzola di carbone
7. Regolatore di inclinazione
8. Pomello di bloccaggio per regolazione dell'inclinazione
9. Pomello di bloccaggio per guida per bordi
10. Piastra di base
11. Guida per bordi
12. Flangia esterna
13. Bullone blocca-lama
14. Protezione inferiore
15. Tasto di blocco dell'alberino
16. Interruttore di avvio/arresto
17. Pulsante di sblocco
18. Impugnatura principale
19. Regolatore di profondità
20. Leva di blocco per regolazione profondità

MONTAGGIO

Importante: Prima di eseguire qualsiasi montaggio o regolazione, scollegare sempre l'apparecchio dalla rete elettrica.

Sostituzione della lama (3, 4)

Avviso: Scollegare sempre l'apparecchio dalla presa di corrente prima di eseguire qualsiasi regolazione o di montare qualsiasi accessorio. Non usare dischi abrasivi.

1. Posizionare la sega circolare su un lato su una superficie piana. Si consiglia di spostare la piastra di base verso il basso per diminuire la profondità di taglio, facile da operare.
2. Spingere il pulsante di blocco del mandrino **15** verso l'alloggiamento del motore, come mostrato dalla freccia in Fig. 3 e fissarlo saldamente.
3. Ruotare in senso antiorario la vite blocca-lama **13** con la chiave a brugola in dotazione.
4. Rimuovere la vite blocca-lama e la flangia esterna **12**.
5. Sollevare la protezione inferiore **14** usando la leva per protezione inferiore **1** ed estrarre la lama.
6. Pulire le flange della lama della sega, e montare la nuova lama sul mandrino di uscita contro la flangia interna.
7. Assicurarsi che la direzione dei denti e della freccia sulla lama coincida con la direzione della freccia sulla protezione inferiore.
8. Reinstallare la flangia esterna e serrare il bullone blocca-lama.
9. Assicurarsi che la lama giri liberamente facendola girare con la mano.

Regolazione della profondità (5)

1. Allentare la leva di blocco per la regolazione della profondità **20**.
2. Tenere la piastra di base aderente al bordo del pezzo di lavorazione e sollevare il corpo dell'apparecchio fino a portare la lama alla profondità corretta determinata dal regolatore della profondità **19** (allineare la scala).
3. Serrare la leva di blocco per la regolazione della profondità.

Regolazione dell'inclinazione (6)

1. Allentare la manopola di blocco per la regolazione dell'inclinazione **8**.
2. Regolare la ganascia secondo l'angolazione desiderata, tra 0° e 45°. [cfr. regolatore dell'inclinazione **7**].
3. Serrare la manopola di blocco per la regolazione dell'inclinazione.

Accensione e spegnimento (7)

Prima di intervenire sul pulsante di accensione e spegnimento, controllare che la lama sia adeguatamente montata e che essa giri uniformemente con la relativa vite ben stretta.

1. Collegare la spina a una presa di corrente, l'indicatore di accensione **4** rimane illuminato fino a che l'apparecchio non è disconnesso dalla rete.
2. Per accendere la sega circolare, premere il pulsante di sblocco **17** e tirare l'interruttore ON/OFF **16**.
3. Rilasciando l'interruttore **16**, l'apparecchio si spegne.

Regolazione del taglio parallelo (8)

1. Allentare la manopola di blocco della guida dei bordi **9**.
2. Far scorrere la guida del bordo **11** attraverso le fessure nella ganascia fino alla larghezza desiderata.
3. Stringere il bullone di blocco per fissare la posizione.
4. Assicurarsi che la guida del bordo sia aderente al legno per la sua intera lunghezza per garantire tagli paralleli costanti.

Sostituzione delle spazzole di carbone (9)

Per motivi di sicurezza, la macchina si spegne automaticamente quando le spazzole di carbone sono talmente usurate da non avere più contatto con il motore. In questo caso, le spazzole di carbone devono essere sostituite con un paio di spazzole simili disponibili tramite il servizio post-vendita o persona qualificata. Allentare in senso antiorario il coperchio delle spazzole di carbone con un cacciavite, aprire il coperchio e rimuovere le spazzole di carbone.

Se le loro dimensioni sono minori o uguali a 6 mm, devono essere entrambe sostituite. Montare le nuove spazzole di carbone e sostituire l'alloggiamento della spazzola.

ATTENZIONE: Le spazzole devono essere sostituite insieme.

ATTENZIONE: Prima di rimuovere qualsiasi coperchio elettrico, scollegare sempre l'apparecchio dalla corrente.

USO

Taglio generico

1. All'avvio, tenere sempre l'impugnatura della sega con una mano e l'impugnatura ausiliaria **5** con l'altra. Non forzare mai la sega, ma esercitare sempre una pressione leggera e costante. Dopo aver completato il taglio, attendere che l'apparecchio sia fermo del tutto. In caso di interruzione del taglio, riprendere l'operazione attendendo che la lama raggiunga la piena velocità e, quindi, rientrare lentamente nel taglio già praticato.
2. In caso di taglio lungo la venatura, le fibre del legno tendono a sollevarsi e sfaldarsi. Un movimento lento della sega minimizza questo effetto.

Taglio a tasca

1. Prima di eseguire qualsiasi regolazione, scollegare l'apparecchio dalla presa elettrica. Impostare la profondità in base allo spessore della linea di taglio. Sollevare la protezione inferiore usando la leva di sollevamento.
2. Con la lama appena sopra il materiale da tagliare, avviare la sega e attendere che la lama raggiunga la piena velocità. Abbassare lentamente la lama sul materiale da tagliare usando come perno l'estremità anteriore della ganascia. Quando la lama inizia a tagliare, rilasciare la protezione inferiore. Quando la ganascia è aderente alla superficie da tagliare, procedere con il taglio in avanti fino alla fine della linea di taglio. Attendere che la lama si sia fermata completamente prima di rimuoverla dal taglio. Non tirare la sega all'indietro perché

la lama uscirebbe dal taglio rinculando. Girare la sega e terminare il taglio normalmente in avanti. Usare un seghetto o una sega manuale per rifinire gli angoli, se necessario.

Taglio di lastre di grandi dimensioni

1. Lastre o tavole di grandi dimensioni richiedono un supporto per evitare pieghe o affossamenti. In caso di taglio senza livellamento e sostegno adeguato del pezzo in lavorazione, la lama tenderà a piegarsi causando un rinculo.
2. Sostenere il pannello o la tavola vicino al taglio da eseguire. Assicurarsi di impostare la lama in modo da poter tagliare il materiale senza tagliare il supporto o il piano di lavoro. Suggerimento: usare il due per quattro per sostenere la tavola o il pannello. Se il pezzo è troppo grande per il piano di lavoro, usare il pavimento con il due per quattro come supporto.

MANUTENZIONE

1. Per prevenire incidenti, scollegare sempre la sega dalla presa di corrente prima di svolgere operazioni di pulizia o manutenzione. Il modo più efficiente di pulire la sega è usare aria compressa. Indossare sempre occhiali protettivi quando si usa aria compressa. In assenza di aria compressa, è possibile usare una spazzola per rimuovere polvere e trucioli dalla sega.
2. Le aperture di areazione del motore e le leve di modifica vanno tenute pulite e liberi da corpi estranei. Non usare oggetti appuntiti per pulire le aperture.
3. Non usare sostanze caustiche per pulire le parti metalliche. Tipo: benzina, tetracloruro di carbonio, solventi pulitori con cloruro, ammoniaca e detergenti domestici contenenti ammoniaca. Non usare queste sostanze per pulire la sega.
4. Rivolgersi a un centro assistenza autorizzato per il controllo e/o la sostituzione delle spazzole di carbone in caso di prolungato inutilizzo.
5. Le lame si smussano anche con il taglio di legno normale. Un chiaro segno dello smussamento della lama è la necessità di forzare la lama in avanti invece di guidarla durante il taglio. Rivolgersi a un centro di assistenza per l'affilatura.
6. Mantenere l'apparecchio sempre pulito.
7. Se si riscontrano danni, fare riferimento al diagramma esplosivo e all'elenco delle parti per determinare esattamente quale parte deve essere sostituita e quindi ordinata al dipartimento per l'assistenza del cliente.
8. Pulire l'alloggiamento solo con un panno umido. Non usare alcun solvente! In seguito asciugare scrupolosamente. Per mantenere una certa capacità di batteria, raccomandiamo di scaricare completamente la batteria ogni mese e ricaricarla interamente di nuovo. Conservare solo con la batteria assolutamente carica e aumentarne il livello di tanto in tanto se si conserva inattiva per molto tempo. Conservare in un luogo secco e non ghiacciato; la temperatura ambiente non deve superare i 40°C.
9. Se il cavo di alimentazione di questo strumento è danneggiato, sostituire con un cavo simile uti-

lizzando assistenza al servizio tecnico o persona autorizzata e qualificata.

ATTENZIONE: Non utilizzare agenti detergenti per pulire le parti plastiche dello strumento. Si raccomanda l'uso di un detergente non forte su un panno umido. Lo strumento non deve mai venire in contatto con acqua.

Significato del simbolo di bidone sbarrato con ruote:

Non smaltire gli apparecchi elettrici come rifiuti urbani non differenziati, utilizzare strutture di raccolta separata. Contattare l'autorità locale per informazioni relative ai sistemi di raccolta disponibili. Se gli apparecchi elettrici sono smaltiti in discariche, le sostanze nocive pericolose possono penetrare nella falda acquifera e entrare nella catena alimentare, con grave rischio per la salute.

GARANZIA

Questo prodotto è garantito in conformità con le normative legali / specifiche del paese, in vigore dalla data di acquisto da parte del primo utente. I danni imputabili alla normale usura, sovraccarico o uso improprio saranno esclusi dalla garanzia. In caso di reclamo, inviare la macchina, completamente assemblata, al proprio rivenditore o al centro di assistenza ufficiale.

Ελληνικά

ΓΕΝΙΚΕΣ ΟΔΗΓΙΕΣ ΑΣΦΑΛΕΙΑΣ ΗΛΕΚΤΡΙΚΟΥ ΕΡΓΑΛΕΙΟΥ

Διαβάστε όλες τις υποδείξεις ασφαλείας και τις οδηγίες. Αμέλειες κατά την τήρηση των υποδείξεων ασφαλείας και των οδηγιών μπορεί να προκαλέσουν ηλεκτροπληξία, πυρκαγιά ή/και σοβαρούς τραυματισμούς. Φυλάξτε όλες τις προειδοποιητικές υποδείξεις και οδηγίες για κάθε μελλοντική χρήση. Ο ορισμός «Ηλεκτρικό εργαλείο» που χρησιμοποιείται στις προειδοποιητικές υποδείξεις αναφέρεται σε ηλεκτρικά εργαλεία που τροφοδοτούνται από το ηλεκτρικό δίκτυο (με ηλεκτρικό καλώδιο) καθώς και σε ηλεκτρικά εργαλεία που τροφοδοτούνται από μπαταρία (χωρίς ηλεκτρικό καλώδιο).

Ασφάλεια στο χώρο εργασίας

- ▶ Διατηρείτε τον τομέα που εργάζεσθε καθαρό και καλά φωτισμένο. Αταξία ή σκοτεινές περιοχές εργασίας μπορεί να οδηγήσουν σε ατυχήματα.
- ▶ Μην εργάζεσθε με το ηλεκτρικό εργαλείο σε περιβάλλον όπου υπάρχει κίνδυνος έκρηξης, στο οποίο υπάρχουν εύφλεκτα υγρά, αέρια ή σκόνες. Τα ηλεκτρικά εργαλεία δημιουργούν σπινθηρισμό ο οποίος μπορεί να αναφλέξει τη σκόνη ή τις αναθυμιάσεις.
- ▶ Όταν χρησιμοποιείτε το ηλεκτρικό εργαλείο κρατάτε μακριά απ' αυτό τα παιδιά κι άλλα τυχόν παρευρισκόμενα άτομα. Σε περίπτωση απόσπασης της προσοχής σας μπορεί να χάσετε τον έλεγχο του μηχανήματος.

Ηλεκτρική ασφάλεια

- ▶ Το φως του ηλεκτρικού εργαλείου πρέπει να ταιριάζει στην πρίζα. Δεν επιτρέπεται με κανέναν τρόπο η μετατροπή του φως. Μη χρησιμοποιείτε προσαρμοστικά φως σε συνδυασμό με γειωμένα ηλεκτρικά εργαλεία. Αμεταποίητα φως και κατάλληλες πρίζες μειώνουν τον κίνδυνο ηλεκτροπληξίας.
- ▶ Αποφεύγετε την επαφή του σώματός σας με γειωμένες επιφάνειες όπως σωλήνες, θερμαντικά σώματα (καλοριφέρ), κουζίνες ή ψυγεία. Όταν το σώμα σας είναι γειωμένο αυξάνεται ο κίνδυνος ηλεκτροπληξίας.
- ▶ Μην εκθέτετε τα μηχανήματα στη βροχή ή την υγρασία. Η διεύθυνση νερού σ' ένα ηλεκτρικό εργαλείο αυξάνει τον κίνδυνο ηλεκτροπληξίας.
- ▶ Μη χρησιμοποιείτε το ηλεκτρικό καλώδιο για να μεταφέρετε ή να αναρτήσετε το ηλεκτρικό εργαλείο, ή για να βγάλετε το φως από την πρίζα. Κρατάτε το ηλεκτρικό καλώδιο μακριά από υπερβολικές θερμοκρασίες, κοφτερές ακμές και/ή από κινητά εξαρτήματα. Τυχόν χαλασμένα ή περιπλεγμένα ηλεκτρικά καλώδια αυξάνουν τον κίνδυνο ηλεκτροπληξίας.
- ▶ Όταν εργάζεσθε μ' ένα ηλεκτρικό εργαλείο στο ύπαιθρο να χρησιμοποιείτε καλώδια επιμήκυνσης (μπαλαντέζες) που είναι κατάλληλα και για χρήση στο ύπαιθρο. Η χρήση καλωδίων επιμήκυνσης κατάλληλων για υπαίθριους χώρους ελαττώνει τον κίνδυνο ηλεκτροπληξίας.
- ▶ Όταν η χρήση του ηλεκτρικού εργαλείου σε υγρό περιβάλλον είναι αναπόφευκτη, τότε χρησιμοποιήστε έναν προστατευτικό διακόπτη διαρροής (διακόπτη FI/RCD). Η χρήση ενός προστατευτικού διακόπτη διαρροής ελαττώνει τον κίνδυνο ηλεκτροπληξίας.

Ασφάλεια προσώπων

- ▶ Να είστε πάντοτε προσεκτικός/προσεκτική, να δίνετε προσοχή στην εργασία που κάνετε και να χειρίζεστε το μηχάνημα με περίσκεψη. Μη χρησιμοποιήσετε ένα ηλεκτρικό εργαλείο όταν είστε κουρασμένος/κουρασμένη ή όταν βρισκόσαστε υπό την επίδραση ναρκωτικών, οιονοπνεύματος ή φαρμάκων. Μια στιγμιαία απροσεξία κατά το χειρισμό του ηλεκτρικού εργαλείου μπορεί να οδηγήσει σε σοβαρούς τραυματισμούς.
- ▶ Φοράτε έναν κατάλληλο για σας προστατευτικό εξοπλισμό ή πάντοτε προστατευτικά γυαλιά. Όταν φοράτε έναν κατάλληλο προστατευτικό εξοπλισμό όπως μάσκα προστασίας από σκόνη, αντιοιδηματικά υποδήματα ασφαλείας, προστατευτικό κράνος ή ωτασπίδες, ανάλογα με το εκάστοτε εργαλείο και τη χρήση του, ελαττώνεται ο κίνδυνος τραυματισμών.
- ▶ Αποφεύγετε την αθέλητη εκκίνηση. Βεβαιωθείτε ότι το ηλεκτρικό εργαλείο έχει αποσυνδεθεί πριν το συνδέσετε με το ηλεκτρικό δίκτυο ή με την μπαταρία καθώς και πριν το παραλάβετε ή το μεταφέρετε. Όταν μεταφέρετε το ηλεκτρικό εργαλείο έχοντας το δάχτυλό σας στο διακόπτη ή όταν συνδέσετε το μηχάνημα με την πηγή ρεύματος όταν αυτό είναι ακόμη στη θέση ON, τότε δημιουργείται κίνδυνος τραυματισμών.
- ▶ Αφαιρείτε από τα ηλεκτρικά εργαλεία τυχόν συναρμολογημένα εργαλεία ρύθμισης ή κλειδιά πριν θέσετε το ηλεκτρικό εργαλείο σε λειτουργία. Ένα εργαλείο ή κλειδί συναρμολογημένο σ' ένα περιστρεφόμενο τμήμα ενός μηχανήματος μπορεί να οδηγήσει σε τραυματισμούς.
- ▶ Μην υπερεκτιμάτε τον εαυτό σας. Φροντίζετε για την ασφαλή στάση του σώματός σας και διατηρείτε πάντοτε την ισορροπία σας. Έτσι μπορείτε να ελέγξετε καλύτερα το μηχάνημα σε περιπτώσεις απροσδόκητων περιστάσεων.
- ▶ Φοράτε κατάλληλα ενδύματα. Μη φοράτε φαρδιά ρούχα ή κοσμήματα. Κρατάτε τα μαλλιά σας, τα ρούχα σας και τα γάντια σας μακριά από κινούμενα εξαρτήματα. Χαλαρή ενδυμασία, κοσμήματα ή μακριά μαλλιά μπορεί να εμπλακούν στο κινούμενα εξαρτήματα.
- ▶ Όταν υπάρχει η δυνατότητα συναρμολόγησης διατάξεων αναρρόφησης ή συλλογής σκόνης, βεβαιωθείτε ότι αυτές είναι συνδεδεμένες με το μηχάνημα καθώς και ότι χρησιμοποιούνται σωστά. Η χρήση μιας αναρρόφησης σκόνης μπορεί να ελαττώσει τον κίνδυνο που προκαλείται από τη σκόνη.

Επιμελής χειρισμός και χρήση ηλεκτρικών εργαλείων

- ▶ Μην υπερφορτώνετε το μηχάνημα. Χρησιμοποιείτε για την εκάστοτε εργασία το ηλεκτρικό εργαλείο που προορίζεται γι' αυτήν. Με το κατάλληλο ηλεκτρικό εργαλείο εργάζεστε καλύτερα και ασφαλέστερα στην αναφερόμενη περιοχή ισχύος.
- ▶ Μη χρησιμοποιήσετε ποτέ ένα μηχάνημα που έχει χαλασμένο διακόπτη. Ένα ηλεκτρικό εργαλείο που δεν μπορείτε πλέον να το θέσετε σε λειτουργία και/ή εκτός λειτουργίας είναι επικίνδυνο και πρέπει να επισκευαστεί.
- ▶ Βγάλτε το φως από την πρίζα και/ή αφαιρέστε την μπαταρία πριν διεξάγετε στο μηχάνημα μια οποιαδήποτε εργασία ρύθμισης, πριν αλλάξετε ένα εξάρτημα ή όταν πρόκειται να διαφυλάξετε/να αποθηκεύσετε το μηχάνημα. Αυτά τα προληπτικά μέτρα ασφαλείας μειώνουν τον κίνδυνο από τυχόν αθέλητη εκκίνηση του ηλεκτρικού εργαλείου.
- ▶ Διαφυλάγετε τα ηλεκτρικά εργαλεία που δε χρησιμο-

ποιείτε μακριά από παιδιά. Μην επιτρέψετε τη χρήση του μηχανήματος σε άτομα που δεν είναι εξοικειωμένα μ' αυτό ή δεν έχουν διαβάσει τις παρούσες οδηγίες. Τα ηλεκτρικά εργαλεία είναι επικίνδυνα όταν χρησιμοποιούνται από άπειρα πρόσωπα.

- ▶ Να περιποιείστε προσεκτικά το ηλεκτρικό εργαλείο. Ελέγχετε, αν τα κινούμενα μέρη λειτουργούν άψογα, χωρίς να μπλοκάρουν, ή μήπως έχουν σπασίσει ή φθαρεί τυχόν μέρη τα οποία επηρεάζουν τον τρόπο λειτουργίας του ηλεκτρικού εργαλείου. Δώστε το χαλασμένο ηλεκτρικό εργαλείο για επισκευή πριν το ξαναχρησιμοποιήσετε. Η κακή συντήρηση των ηλεκτρικών εργαλείων αποτελεί αιτία πολλών ατυχημάτων.
- ▶ Διατηρείτε τα εξαρτήματα κοπής κοφτερά και καθαρά. Προσεκτικά συντηρημένα κοπτικά εξαρτήματα σφηνώνουν δυσκολότερα και οδηγούνται ευκολότερα.
- ▶ Χρησιμοποιείτε τα ηλεκτρικά εργαλεία, εξαρτήματα, παρελκόμενα εργαλεία κτλ. σύμφωνα με τις παρούσες οδηγίες. Λαμβάνετε επίσης υπόψη σας τις εκάστοτε συνθήκες και την υπό εκτέλεση εργασία. Η χρησιμοποίηση των ηλεκτρικών εργαλείων για εργασίες που δεν προβλέπονται γι' αυτά μπορεί να δημιουργήσει επικίνδυνες καταστάσεις.

Service

Δώστε το ηλεκτρικό εργαλείο σας για επισκευή από άριστα εκπαιδευμένο προσωπικό και με γνήσια ανταλλακτικά. Έτσι εξασφαλίζετε τη διατήρηση της ασφαλείας του μηχανήματος.

ΥΠΟΔΕΙΞΕΙΣ ΑΣΦΑΛΕΙΑΣ ΓΙΑ ΔΙΣΚΟΠΡΙΟΝΑ

Διαδικασία κοπής

- ▶ **ΚΙΝΔΥΝΟΣ:** Μη βάλτε τα χέρια σας στον τομέα πριονίσματος και στον πριονόδισκο. Κρατάτε με το δεύτερο (το άλλο) χέρι σας την πρόσθετη λαβή ή το περίβλημα του κινητήρα. Όταν κρατάτε το πριόνι και με τα δυο σας χέρια τότε το πριόνι δεν μπορεί να σας τραυματίσει.
- ▶ Μη βάζετε τα χέρια σας κάτω από το υπό κατεργασία τεμάχιο. Ο προφυλακτήρας δεν μπορεί να σας προστατέψει κάτω από το υπό κατεργασία τεμάχιο.
- ▶ Προσαρμόστε το βάθος κοπής στο πάχος του υπό κατεργασία τεμαχίου. Κάτω από το υπό κατεργασία τεμάχιο θα πρέπει να φαίνεται λιγότερο από ένα ολόκληρο δόντι.
- ▶ Να μην κρατάτε ποτέ το υπό κοπή τεμάχιο με το χέρι και να μην το ακουμπάτε επάνω στα σκέλη σας. Να ασφαλίσετε το υπό κατεργασία τεμάχιο επάνω σε μια στερεή επιφάνεια. Η καλή στερέωση του υπό κατεργασία τεμαχίου είναι σημαντική επειδή έτσι περιορίζετε στο ελάχιστο τον κίνδυνο της επαφής του με το σώμα σας, του σφηνώματος του πριονόδικου ή της απώλειας του ελέγχου.
- ▶ Κρατάτε το ηλεκτρικό εργαλείο μόνο από τις μονωμένες επιφάνειες λαβής, όταν εκτελείτε εργασίες, στις οποίες το εξάρτημα μπορεί να έρθει σε επαφή με μη ορατούς ηλεκτροφόρους αγωγούς ή με το δικό του ηλεκτρικό καλώδιο. Η επαφή με έναν ηλεκτροφόρο αγωγό θέτει επίσης τα μεταλλικά μέρη του ηλεκτρικού εργαλείου υπό τάση και προκαλεί μια ηλεκτροπληξία.
- ▶ Κατά τη διεξαγωγή διαμηκών κοπών να χρησιμοποιείτε πάντοτε έναν οδηγό ή μια ευθεία ακμή ως βοήθημα οδήγησης. Έτσι βελτιώνεται η ακρίβεια της κοπής και ταυτόχρονα μειώνονται οι πιθανότητες σφηνώματος του πριονόδικου.

- ▶ Χρησιμοποιείτε πάντοτε πριονόδισκους με το σωστό μέγεθος και με τη σωστή τρύπα υποδοχής (π.χ. ρομβοειδή ή στρουγγυλή). Πριονόδισκοι που δεν ταιριάζουν στα τμήματα συναρμολόγησης του πριονιού περιστρέφονται ανομοιόμορφα και οδηγούν σε απώλεια του ελέγχου.
- ▶ Μη χρησιμοποιήσετε ποτέ χαλασμένες ή ακατάλληλες ροδέλες ή βίδες πριονόδισκου. Οι ροδέλες και οι βίδες πριονόδισκου κατασκευάστηκαν ειδικά για το πριόνι σας και εξασφαλίζουν άριστη απόδοση και ασφάλεια λειτουργίας.
- ▶ **Κλότσημα** - Αιτίες και σχετικές υποδείξεις ασφαλείας
 - Το κλότσημα είναι μια απροσδόκητη αντίδραση εξαιτίας ενός σφηνωμένου ή λάθος ευθυγραμμισμένου πριονόδισκου, με συνέπεια να ανεξέλεγκτο τίνιγμα του πριονιού έξω από το υπό καταργασία τεμάχιο με κατεύθυνση προς το χειριστή/τη χειρίστρια.
 - Όταν ο πριονόδισκος σφηνώσει ή σκοτάνψει μέσα στην σχισμή κοπής, τότε ο περιστρεφόμενος κινητήρας του ηλεκτρικού εργαλείου ωθεί το πριόνι με ορμή προς τα πίσω, με κατεύθυνση προς το χειριστή/τη χειρίστρια.
 - Όταν ο πριονόδισκος στρεβλώσει μέσα στην τομή κοπής ή όταν είναι λάθος ευθυγραμμισμένος, τότε τα δόντια της πίσω ακμής του πριονόδισκου μπορεί να σφηνώσουν στην επιφάνεια του υπό καταργασία τεμαχίου, οπότε υπάρχει κίνδυνος ο πριονόδισκος να βγει από τη σχισμή κοπής και να τιναχτεί με ορμή προς τα πίσω, με κατεύθυνση προς το χειριστή/τη χειρίστρια. Το κλότσημα είναι το αποτέλεσμα ενός εσφαλμένου ή ελλιπούς χειρισμού του ηλεκτρικού εργαλείου και μπορεί να αποφευχθεί με λήψη κατάλληλων προληπτικών μέτρων, σαν αυτά που περιγράφονται παρακάτω.
- ▶ Να συγκρατείτε το ηλεκτρικό εργαλείο σταθερά και με τα δυο σας χέρια και να φροντίζετε, η θέση του σώματός σας να είναι κατάλληλη για να αντιμετωπίσετε τυχόν αντιδραστικές δυνάμεις (κλότσηματα). Να παίρνετε θέση πάντοτε δίπλα στον πριονόδισκο και να μην ευθυγραμμίζετε ποτέ το σώμα σας μ' αυτόν. Σε περίπτωση κλότσηματος το δισκοπριόνιο μπορεί μεν να εκτιναχθεί προς τα πίσω, πλην όμως, όταν έχουν παρθεί τα κατάλληλα προληπτικά μέτρα, ο χειριστής θα μπορέσει να αντισταθεί αποτελεσματικά στις αναπτυσσόμενες αντιδραστικές δυνάμεις.
- ▶ Σε περίπτωση σφηνώματος του πριονόδισκου ή όταν διακόπτετε την εργασία σας, να θέσετε το πριόνι εκτός λειτουργίας και να κρατάτε με νευρία το υπό καταργασία τεμάχιο μέχρι να σταματήσει την κίνησή του ο πριονόδισκος. Μην προσπαθήσετε ποτέ, όσο κινείται ο πριονόδισκος, να βγάλετε το πριόνι από το υπό καταργασία τεμάχιο ή να το τραβήξετε προς τα πίσω, γιατί αυτό μπορεί να οδηγήσει σε κλότσημα. Εξακριβώστε και εξουδετερώστε την αιτία του σφηνώματος.
- ▶ Όταν θέλετε να θέσετε πάλι σε λειτουργία ένα πριόνι που βρίσκεται μέσα στο υπό καταργασία τεμάχιο, τότε κεντράρετε τον πριονόδισκο μέσα στη σχισμή κοπής και βεβαιωθείτε ότι τα δόντια του πριονόδισκου δεν είναι σφηνωμένα μέσα στο υπό καταργασία τεμάχιο. Αν ο πριονόδισκος είναι σφηνωμένος, τότε αυτός μπορεί, όταν θέσετε το πριόνι πάλι σε λειτουργία, να βγει από το υπό καταργασία τεμάχιο και να κλοτσήσει.
- ▶ Να υποστηρίζετε μεγάλες υπό καταργασία πλάκες για να ελαττώσετε τον κίνδυνο κλοτσήματος σε περίπτωση που σφηνώσει ο πριονόδισκος. Οι μεγάλες

πλάκες μπορεί να λυγίσουν κάτω από το ίδιο τους το βάρος. Οι πλάκες πρέπει να υποστηρίζονται και στις δυο πλευρές, και κοντά στον πριονόδισκο και στην άλλη άκρη τους.

- ▶ Μη χρησιμοποιείτε αμβλίες ή χαλασμένους πριονόδισκους. Πριονόδισκοι με μη κοφτερά ή λάθος ευθυγραμμισμένα δόντια προκαλούν, μέσα σε μια πολύ στενή σχισμή κοπής, υψηλή τριβή, σφηνώματα του πριονόδισκου και κλότσημα.
- ▶ Σφίξτε καλά τις διατάξεις ρύθμισης βάθους και γωνίας κοπής πριν αρχίσετε το πριόνισμα. Αν κατά τη διάρκεια του πριονίσματος μεταβληθούν οι ρυθμίσεις, ο πριονόδισκος μπορεί να σφηνώσει και να οδηγήσει σε κλότσημα.
- ▶ Να είστε ιδιαίτερα προσεκτικός/προσεκτική όταν κόβετε σε ήδη υπάρχοντες τοίχους ή σε άλλους μη επιβληόμενους τομείς. Ο βυθιζόμενος πριονόδισκος μπορεί να προσκρούσει ή να μπλοκάρει σε μη ορατά αντικείμενα και να προκαλέσει κλότσημα.

Λειτουργία του κάτω προφυλακτήρα

- ▶ Πριν από κάθε χρήση πρέπει να βεβαιώνεται ότι ο κάτω προφυλακτήρας κλείνει άψοφα. Μη χρησιμοποιήσετε το πριόνι όταν ο κάτω προφυλακτήρας δεν κινείται ελεύθερα και δεν κλείνει αμέσως. Να μη σφηνώνετε και να μη προσδέετε ποτέ τον κάτω προφυλακτήρα για να παραμείνει ανοικτός. Ο κάτω προφυλακτήρας μπορεί να στρεβλώσει σε περίπτωση που το πριόνι πέσει αθέλητα στο έδαφος. Ανοίξτε τον προφυλακτήρα με το μοχλό επαναφοράς και βεβαιωθείτε ότι αυτός μπορεί και κινείται ελεύθερα καθώς και ότι, κατά τη λειτουργία σε όλες τις γωνίες και σε όλα τα βάθη κοπής, δεν αγγίζει ούτε τον πριονόδισκο ούτε κάποια άλλα εξαρτήματα.
- ▶ Ελέγξτε τη λειτουργία του ελατηρίου του κάτω προφυλακτήρα. Σε περίπτωση που δε λειτουργούν άψογα ο κάτω προφυλακτήρας και το ελατήριο δώστε το πριόνι για συντήρηση πριν το χρησιμοποιήσετε. Χαλασμένα εξαρτήματα, κολλώδη ιζήματα ή συσσωρεύσεις γρεζιών/ροκανιδιών επιβραδύνουν τη λειτουργία του κάτω προφυλακτήρα.
- ▶ Ανοίξτε τον κάτω προφυλακτήρα με το χέρι μόνο σε περίπτωση ιδιαίτερων κοπών, όπως «βυθιζόμενες κοπές και κοπές γωνιών». Ανοίξτε τον κάτω προφυλακτήρα με το μοχλό επαναφοράς και αφήστε τον ελεύθερο, μόλις ο πριονόδισκος βυθιστεί στο επεξεργαζόμενο κομμάτι. Σε όλες τις άλλες εργασίες πριονίσματος πρέπει να εργάζεται αυτόματα ο κάτω προφυλακτήρας.
- ▶ Μην ακουμπήσετε τον πριόνι επάνω στον πάγκο εργασίας ή στο δάπεδο όταν ο κάτω προφυλακτήρας δεν καλύπτει τον πριονόδισκο. Ένα ακάλυπτος πριονόδισκος που συνεχίζει να κινείται (κνηλατεί) σπρωχνει το πριόνι με φορά αντίθετη της φοράς κοπής πριονίζοντας ότι συναντήσει στο δρόμο του. Γι' αυτό να δίνετε προσοχή στο χρόνο κνηλασίας του πριονιού.

ΤΕΧΝΙΚΑ ΧΑΡΑΚΤΗΡΙΣΤΙΚΑ:

Κωδικός Είδους	41 343	
Μοντέλο	CS 55/1200 PLUS	
Τάση/Συχνότητα	V/Hz	220-240/50
Ονομαστική Ισχύς	W	1.200

Αριθμός στροφών χωρίς φορτίο	min ⁻¹	5.500
Διάμετρος πριονόδισκου	mm	Ø165
Μέγιστο βάθος κοπής υπό γωνία 90°	mm	55
Μέγιστο βάθος κοπής υπό γωνία 45°	mm	36
Βάρος (χωρίς αξεσουάρ)	kg	3,5

Κατηγορία μόνωσης II

Τιμές εκπομπής θορύβου, υπολογισμένες κατά EN 60745-1, EN 60745-2-5

Η χαρακτηριστική στάθμη θορύβου του μηχανήματος εξ ακριβώς σύμφωνα με την καμπύλη Α και ανέχεται σε:

Στάθμη ακουστικής πίεσης	dB(A)	92,7
Στάθμη ακουστικής ισχύος	dB(A)	103,7
Ανασφάλεια Κ	dB	3

Φοράτε ωτασπίδες!

Οι συνολικές τιμές κραδασμών a_h (άθροισμα ανασμάτων τριών κατευθύνσεων) και ανασφάλεια Κ εξακριβώθηκαν σύμφωνα με το πρότυπο EN 60745-1, EN 60745-2-5

Συνολικές τιμές κραδασμών:		
a_h	m/s ²	4,75
K	m/s ²	1,5

Χαρακτηριστικά Λειτουργίας:

- Μοχλός κάτω προφυλακτήρα
- Εξοδος σκόνης
- Πριονόδισκος
- Ένδειξη παροχής ρεύματος
- Βοηθητική λαβή
- Κάλυμμα ψύκτρας
- Μετρητής γωνίας
- Κουμπί ασφάλισης για ρύθμιση γωνίας
- Κουμπί ασφάλισης για οδηγό παραλλήλων
- Πλάκα βάσης
- Οδηγός παραλλήλων
- Εξωτερική φλάντζα
- Βίδα σύσφιξης πριονόδισκου
- Κάτω προφυλακτήρας
- Κουμπί ασφάλισης άξονα
- Διακόπτης ON / OFF
- Κουμπί κλειδώματος
- Κύρια λαβή
- Μετρητής βάθους
- Μοχλός ασφάλισης για ρύθμιση βάθους

ΣΥΝΑΡΜΟΛΟΓΗΣΗ

Σημαντικό: Αποσυνδέστε το εργαλείο πριν από οποιαδήποτε συναρμολόγηση και ρύθμιση.

Αλλαγή Πριονόδισκου (3, 4)

Προειδοποίηση: Πάντοτε αποσυνδέετε το φιν από την πηγή τροφοδοσίας πριν πραγματοποιήσετε οποιοσδήποτε προσαρμογές ή συνημμένα εξαρτήματα. Μην χρησιμοποιείτε δίσκους λείανσης.

- Τοποθετήστε το δισκοπρίοιο στη μια πλευρά του σε μια επίπεδη επιφάνεια. Συνιστούμε να κατεβάσετε την πλάκα της βάσης για ελάχιστο βάθος κοπής γιατί ο χειρισμός είναι ευκολότερος έτσι.
- Σπρώξτε το κουμπί ασφάλισης του άξονα **15** προς το περιβλήμα του κινητήρα όπως δείχνει το βέλος στο εικονα 3 και κρατήστε το πατημένο.
- Γυρίστε τη βίδα σύσφιξης πριονόδισκου **13** προς τα αριστερά, χρησιμοποιώντας το κλειδί που συνοδεύει το εργαλείο.
- Αφαιρέστε τη βίδα σύσφιξης πριονόδισκου και την εξωτερική φλάντζα **12**.
- Σηκώστε τον κάτω προφυλακτήρα **14** χρησιμοποιώντας το μοχλό του κάτω προφυλακτήρα **1** και, στη συνέχεια, αφαιρέστε τον πριονόδισκο.
- Καθαρίστε τις φλάντζες του πριονόδισκου, στη συνέχεια τοποθετήστε το νέο πριονόδισκο στον άξονα εξόδου και έναντι της εσωτερικής φλάντζας
- Βεβαιωθείτε ότι τα δόντια του πριονόδισκου και το βέλος επάνω του είναι στην ίδια φορά κατευθυνση με το βέλος στον κάτω προφυλακτήρα.
- Επανατοποθετήστε την εξωτερική φλάντζα και σφίξτε τη βίδα σύσφιξης πριονόδισκου.
- Βεβαιωθείτε ότι ο πριονόδισκος κινείται ελεύθερα όταν τον γυρνάτε με το χέρι.

Ρύθμιση Βάθους Κοπής (5)

- Χαλαρώστε το μοχλό ασφάλισης για τη ρύθμιση βάθους **20**.
- Κρατήστε την πλάκα βάσης προς την άκρη του αντικειμένου που θα εργαστείτε και σηκώστε το σώμα του πριονόδισκου έως ότου ο δίσκος βρεθεί στο σωστό βάθος που καθορίζεται από το μετρητή βάθους **19** (ευθυγράμμιση της γραμμής της κλίμακας).
- Σφίξτε το μοχλό ασφάλισης για ρύθμιση βάθους.

Ρύθμιση Γωνίας Πέλματος (6)

- Χαλαρώστε το κουμπί ασφάλισης για τη ρύθμιση της γωνίας **8**.
- Ρυθμίστε το πέλαμα στην επιθυμητή γωνία μεταξύ 0° και 45°. [Βλέπε μετρητή γωνίας **7**].
- Σφίξτε το κουμπί ασφάλισης για τη ρύθμιση της γωνίας.

Ενεργοποίηση και απενεργοποίηση (7)

Πριν ενεργοποιήσετε τον διακόπτη ON/OFF, ελέγξτε ότι ο πριονόδισκος έχει τοποθετηθεί σωστά και λειτουργεί ομαλά, η βίδα σύσφιξης του δίσκου είναι καλά σφιγμένη.

- Συνδέστε το βύσμα στην παροχή ρεύματος, η ένδειξη ρεύματος **4** ανάβει μέχρι να αποσυνδεθεί το εργαλείο από το ρεύμα.
- Για να ενεργοποιήσετε το δισκοπρίοιο, πατήστε το κουμπί κλειδώματος **17** και ταυτόχρονα πατήστε το διακόπτη on/off **16**.
- Όταν απελευθερώσετε το διακόπτη **16**, το εργαλείο σβήνει.

Ρύθμιση παράλληλης κοπής (8)

1. Χαλαρώστε το κουμπί ασφάλισης του οδηγού παραλλήλων **9**.
2. Σύρετε τον οδηγό παραλλήλων (11) διαμέσου των σχισμών στο πέλμα στο επιθυμητό πλάτος.
3. Σφίξτε τη βίδα ασφάλισης για να τον ασφαλίσετε στη θέση του.
4. Βεβαιωθείτε ότι ο οδηγός παραλλήλων στηρίζεται σε όλο το μήκος του ξύλου για να δώσει σταθερές παράλληλες κοπές.

Αντικατάσταση ψηκτρών (9)

Για λόγους ασφαλείας της μομοπίνας, το μηχανήμα απενεργοποιείται αυτόματα εάν οι ψήκτρες είναι τόσο φθαρμένες ώστε να μην έχουν πλέον επαφή με τον κινητήρα. Σε αυτή την περίπτωση, οι ψήκτρες πρέπει να αντικατασταθούν από ένα παρόμοιο ζεύγος ψηκτρών που διατίθεται μέσω της εξυπηρέτησης πελατών ή εξειδικευμένου επαγγελματία. Ξεβιδώστε το κάλυμμα της ψήκτρας αριστερόστροφα χρησιμοποιώντας ένα κατασαβίδι, ανοίξτε το κάλυμμα και αφαιρέστε τις ψήκτρες. Αν είναι 6 mm ή λιγότερο, τότε και οι δύο πρέπει να αντικατασταθούν. Τοποθετήστε νέες ψήκτρες και βιδώστε ξανά το κάλυμμα.

ΠΡΟΣΟΧΗ: Οι ψήκτρες πρέπει πάντα να αντικαθίστανται σε ζεύγη.

ΠΡΟΣΟΧΗ: Πάντοτε αποσυνδέστε το μηχανήμα από την τροφοδοσία ρεύματος πριν αφαιρέσετε οποιοδήποτε ηλεκτρικό κάλυμμα.

ΛΕΙΤΟΥΡΓΙΑ

Γενική Κοπή

1. Κατά την εκκίνηση, κρατάτε πάντα τη χειρολαβή του δισκοπρίνου με το ένα χέρι και τη βοηθητική λαβή **5** με το άλλο χέρι. Μην ζορίζετε ποτέ το δισκοπρίνο, αλλά διατηρείτε μια ελαφριά και συνεχή πίεση, μετά την ολοκλήρωση της κοπής αφήστε το δισκοπρίνο να τερματίσει τελείως. Όταν διακόπτεται η κοπή, επαναλάβετε την κοπή, επιτρέποντας στο δίσκο να φτάσει σε πλήρη ταχύτητα και κατόπιν επανέλθετε στην κοπή αργά.
2. Κατά την κοπή κατά μήκος των κόκκων, οι ίνες του ξύλου έχουν την τάση να σηκώνονται και να σχίζονται, η αργή κίνηση του δισκοπρίνου περιορίζει ελαφρώς αυτό το αποτέλεσμα.

Κοπή Σχισμών

1. Αποσυνδέστε το φως από το ρεύμα πριν κάνετε οποιοδήποτε ρυθμίσεις. Ρυθμίστε το μετρητή βάθους με βάση το πάχος της γραμμής σχεδίου για την κοπή. Ανασηκώστε τον κάτω προφυλακτήρα χρησιμοποιώντας το μοχλό ανύψωσης.
2. Με το δίσκο μόλις πάνω από το υλικό που πρόκειται να κοπεί, εκκινήστε το δισκοπρίνο και αφήστε το δίσκο να αναπτύξει πλήρη ταχύτητα. Σταδιακά χαμηλώστε το δίσκο στο υλικό που πρόκειται να κοπεί χρησιμοποιώντας το εμπρόσθιο άκρο του πέλματος ως σημείο περιστροφής. Όταν ο δίσκος αρχίσει να κόβει, απελευθερώστε τον κάτω προφυλακτήρα. Όταν το πέλμα στηρίζεται καλά στην επιφάνεια κοπής, ξεκινήστε να κόβετε προς τα εμπρός έως το τέ-

λος του σημείου κοπής. Βεβαιωθείτε ότι ο δίσκος να σταματήσει τελείως πριν τον αφαιρέσετε από την τομή. Ποτέ μην τραβάτε το πριόνι προς τα πίσω, καθώς ο δίσκος θα βγει από την τομή και θα κλωστήσει. Γυρίστε το πριόνι από την άλλη και ολοκληρώστε την κοπή με κανονικό τρόπο, κόβοντας προς τα εμπρός. Χρησιμοποιήστε μια σέγα ή ένα πριόνι χειρός για να ολοκληρώσετε την κοπή στις γωνίες, εάν απαιτείται.

Κοπή Μεγάλων Φύλλων

1. Τα μεγάλα φύλλα ή σανίδες απαιτούν στήριξη για την αποφυγή κάμψεων ή βουλιαμάτων. Εάν επιχειρήσετε να κόψετε χωρίς ισοπέδωση και σωστή υποστήριξη του αντικειμένου εργασίας, ο δίσκος θα κολλήσει, προκαλώντας κλότσημα.
2. Στηρίζτε την ξύλινη επιφάνεια κοντά στο σημείο κοπής. Βεβαιωθείτε ότι ρυθμίσατε το δίσκο έτσι ώστε να μπορείτε να κόψετε το υλικό χωρίς να κόψετε το τραπέζι ή τον πάγκο εργασίας. Προτάσεις: Χρησιμοποιήστε ξύλα 2x4" για να στηρίξετε τη ξύλινη επιφάνεια που θέλετε να κόψετε. Αν το κομμάτι είναι πολύ μεγάλο για τον πάγκο εργασίας, χρησιμοποιήστε το δάπεδο με ξύλα 2x4" που στηρίζουν το ξύλο.

ΣΥΝΤΗΡΗΣΗ

1. Για να αποφύγετε τα ατυχήματα, αποσυνδέστε πάντα το πριόνι από την πηγή τροφοδοσίας πριν από τον καθαρισμό ή την εκτέλεση οποιασδήποτε συντήρησης. Το πριόνι μπορεί να καθαριστεί αποτελεσματικότερα με χρήση πεπιεσμένου αέρα. Να φοράτε πάντα προστατευτικά γυαλιά όταν χρησιμοποιείτε πεπιεσμένο αέρα. Εάν δεν υπάρχει πεπιεσμένος αέρας, χρησιμοποιήστε μια βούρτσα για να αφαιρέσετε τη σκόνη και τα ρινίσματα από το δισκοπρίνο.
2. Οι οπές εξαιρισμού του κινητήρα και οι διακόπτες πρέπει να διατηρούνται καθαροί και απαλλαγμένοι από ξένα σώματα. Μην προσπαθήσετε να καθαρίσετε εισάγοντας αιχμηρά αντικείμενα μέσα από τα ανοίγματα.
3. Ποτέ μην χρησιμοποιείτε καυστικούς παράγοντες για να καθαρίζετε τα πλαστικά μέρη. Όπως: βενζίνη, τετρακλωράνθρακα, κλωριωμένοι διαλύτες καθαρισμού, αμμωνία και οικιακά καθαριστικά που περιέχουν αμμωνία. Μην χρησιμοποιείτε κανένα από αυτά για να καθαρίσετε το δισκοπρίνο.
4. Να ζητήσετε από ένα εξουσιοδοτημένο service να εξετάσει και/ή να αντικαταστήσει τις φθαρμένες ψήκτρες άνθρακα σε περίπτωση υπερβολικής φθοράς.
5. Οι δίσκοι στομωθούν ακόμα και όταν κόβετε κανονική ξυλεία. Ένα σίγουρο σημάδι ενός στομωμένου δίσκου είναι η ανάγκη να πιέζετε το πριόνι προς τα εμπρός αντί να το οδηγείτε όσο κάνετε μια κοπή. Πηγαίστε το δίσκο σε ένα service για ακόνισμα.
6. Διατηρήστε το μηχανήμα πάντα καθαρό.
7. Εάν εντοπίσετε τυχόν ζημιά, συμβουλευτείτε το τεχνικό σχέδιο και τον κατάλογο εξαρτημάτων για να προσδιορίσετε ακριβώς ποιο τμήμα αντικατάσταση πρέπει να παραγγείλετε από το τμήμα εξυπηρέτησης πελατών μας.

8. Καθαρίστε το περίβλημα μόνο με ένα ελαφρώς νοτισμένο πανί. Μην χρησιμοποιείτε διαλύτες! Στεγνώστε καλά στη συνέχεια. Προκειμένου να διατηρηθεί η χωρητικότητα της μπαταρίας, σας συνιστούμε να αποφορτίσετε πλήρως την μπαταρία κάθε μήνα και να την επαναφορτίσετε ξανά. Αποθηκεύστε το μόνο πλήρως φορτισμένο και συμπληρώσετε τη φόρτιση ανά διαστήματα, εάν αποθηκεύεται για μεγάλο χρονικό διάστημα. Φυλάσσετε σε ξηρό μέρος που δεν πιάνει πάγο. Η θερμοκρασία περιβάλλοντος δεν πρέπει να υπερβαίνει τους 40°C.
9. Εάν το καλώδιο τροφοδοσίας αυτού του ηλεκτρικού εργαλείου έχει υποστεί ζημιά, πρέπει να αντικατασταθεί ή ένα παρόμοιο καλώδιο διαθέσιμο μέσω του εξουσιοδοτημένου service ή τεχνικού.

ΠΡΟΣΟΧΗ: Μην χρησιμοποιείτε καθαριστικά για να καθαρίσετε τα πλαστικά μέρη του εργαλείου. Συνιστάται ένα ήπιο απορρυπαντικό σε ένα υγρό πανί. Το νερό δεν πρέπει ποτέ να έρθει σε επαφή με το εργαλείο.

Μην απορρίπτετε τις παλιές ηλεκτρικές συσκευές μαζί με τα οικιακά απορρίμματα:

Μην απορρίπτετε τις ηλεκτρικές συσκευές σας ως σύμμεκτα αστικά απόβλητα, χρησιμοποιήστε ξεχωριστές εγκαταστάσεις συλλογής αποβλήτων. Επικοινωνήστε με την τοπική αρχή σας για να ενημερωθείτε όσον αφορά τα διαθέσιμα συστήματα συλλογής. Εάν οι ηλεκτρικές συσκευές απορρίπτονται σε χώρους υγειονομικής ταφής ή σε χωματερές, υπάρχει περίπτωση διαρροής βλαβερών ουσιών στα υπόγεια ύδατα και εισχώρησής τους στην τροφική αλυσίδα, βλάπτοντας με αυτό τον τρόπο την υγεία και την ευεξία σας. Όταν αντικαθιστάτε τις παλιές συσκευές με νέες, ο έμπορος λιανικής είναι νομικά υποχρεωμένος να συλλέξει την παλιά σας συσκευή για απόρριψη τουλάχιστον δωρεάν.

ΕΓΓΥΗΣΗ

Αυτό το προϊόν είναι εγγυημένο σύμφωνα με τους νόμους / ειδικούς κανονισμούς ανά χώρα, από την ημερομηνία αγοράς του από τον χρήστη. Ζημιές που οφείλονται σε φυσιολογική φθορά, υπερφόρτωση ή ακατάλληλο χειρισμό θα εξαιρεθούν από την εγγύηση. Σε περίπτωση αξίωσης, στείλτε το μηχάνημα, πλήρως συναρμολογημένο, στον αντιπρόσωπό σας ή στο επίσημο κέντρο σέρβις.

Srpski

OPŠTA UPOZORENJA ZA ELEKTRIČNE ALATE

Čitajte sva upozorenja i uputstva. Propusti kod državanja upozorenja i uputstava mogu imati za posledicu električni udar, požar i/ili teške povrede. Čuvajte sva upozorenja i uputstva za budućnost. Pojam upotrebljen u upozorenjima „električni alat“ odnosi se na električne alate sa radom na mreži (sa mrežnim kablom) i na električne alate sa radom na akumulatoru (bez mrežnog).

Sigurnost na radnom mestu

- ▶ Držite Vaše radno područje čisto i dobro osvetljeno. Nered ili neosvetljena radna područja mogu voditi nesrećama.
- ▶ Ne radite sa električnim alatom u okolini ugroženoj eksplozijom, u kojoj se nalaze zapaljive tečnosti, gasovi ili prašine. Električni alati prave varnice koje mogu zapaliti prašinu ili isparenja.
- ▶ Držite podalje decu i druge osobe za vreme korišćenja električnog alata. Prilikom rada možete izgubiti kontrolu nad aparatom.

Električna sigurnost

- ▶ Priključni utikač električnog alata mora odgovarati utičnici. Utikač nesme nikako da se menja. Ne upotrebljavajte adaptere utikača zajedno sa električnim alatima zaštićenim uzemljenjem. Ne promenjeni utikači i odgovarajuće utičnice smanjuju rizik električnog udara.
- ▶ Izbegavajte kontakt telom sa uzemljenim površinama kao cevi, grejanja, šporet i rashladni ormani. Postoji povećani rizik od električnog udara ako je Vaše telo uzemljeno.
- ▶ Držite aparat što dalje od kiše ili vlage. Prodor vode u električni alat povećava rizik od električnog udara.
- ▶ Ne nosite električni alat za kabl, ne vešajte ga ili ne izvlačite ga iz utičnice. Držite kabl dalje od vreline, ulja, oštih ivica ili delova aparata koji se okreću. Oštećeni ili izvnuti kablovi povećavaju rizik električnog udara.
- ▶ Ako sa električnim alatom radite u prirodi, upotrebljavajte samo produžne kablove koji su pogodni za spoljnu upotrebu. Upotreba produžnog kabla uzemljenog za spoljnu upotrebu smanjuje rizik od električnog udara.
- ▶ Ako rad električnog alata ne može da se izbegne u vlažnoj okolini, koristite prekidač strujne zaštite pri kvaru. Upotreba prekidača strujne zaštite pri kvaru smanjuje rizik od električnog udara.

Sigurnost osoblja

- ▶ Budite pažljivi, pazite na to, šta radite i idite razumno na posao sa Vašim električnim alatom. Ne koristite električni alat ako ste umorni ili pod uticajem droge, alkohola ili lekova. Momenat nepažnje kod upotrebe električnog alata može voditi ozbiljnim povredama.
- ▶ Nosite ličnu zaštitnu opremu i uvek zaštitne naočare. Nošenje lične zaštitne opreme, kao maske za prašinu, sigurnosne cipele koje ne klizu, zaštitni šlem ili zaštitu za sluh, zavisno od vrste i upotrebe

električnog alata, smanjuju rizik od povreda.

- ▶ Izbegavajte nenamerno puštanje u rad. Uverite se da je električni alat isključen, pre nego što ga priključite na struju i/ili na akumulator, uzmete ga ili nosite. Ako prilikom nošenja električnog alata držite prst na prekidaču ili aparat uključeni priključujete na struju, može ovo voditi nesrećama.
- ▶ Uklonite alate za podešavanje ili ključeve za zavrtnje, pre nego što uključite električni alat. Neki alat ili ključ koji se nalazi u rotirajućem delu aparata, može voditi nesrećama.
- ▶ Izbegavajte nenormalno držanje tela. Pobrinite se uvek da stabilno stojite i održavajte u svako doba ravnotežu. Na taj način možete bolje kontrolisati električni alat u neočekivanim situacijama.
- ▶ Nosite pogodnu odeću. Ne nosite široku odeću ili nakit. Držite kosu, odeću i rukavice dalje od pokretnih delova. Opušteno odelo, dugu kosu ili nakit mogu zahvatiti rotirajući delovi.
- ▶ Ako mogu da se montiraju uredjaji za usisavanje i skupljanje prašine, uverite se da li su priključeni i upotrebljeni kako treba. Upotreba usisavanja prašine može smanjiti opasnosti od prašine.

Briljivja upotreba i ophodjenje sa električnim alatima

- ▶ Ne preopterećujte aparat. Upotrebljavajte za Vaš posao električni alat odredjen za to. Sa odgovarajućim električnim alatom radite bolje i sigurnije u navedenom području rada.
- ▶ Ne koristite nikakav električni alat čiji je prekidač u kvaru. Električni alat koji se ne može više uključiti ili isključiti, je opasan i mora se popraviti.
- ▶ Izvucite utikač iz utičnice i/ili uklonite akumulator pre nego što preduzmete podešavanja na aparatu, promenu delova pribora ili ostavite aparat. Ova mera opreza sprečava nenamernan start električnog alata.
- ▶ Čuvajte nekorišćene električne alate izvan domaće dece. Ne dozvoljavajte korišćenje aparata osobama koje ne poznaju aparat ili nisu pročitale ova uputstva. Električni alati su opasni, kada ih koriste neiskusne osobe.
- ▶ Održavajte briljivno električni alat. Kontrolišite da li pokretni delovi aparata besprekorno funkcionišu i ne „lepe“, da li su delovi polomljeni ili su tako oštećeni da je oštećena funkcija električnog alata. Popravite ove oštećene delove pre upotrebe. Mnoge nesreće imaju svoje uzroke u loše održanim električnim alatima.
- ▶ Održavajte alate za sečenja oštre i čiste. Briljivno održavani alati za sečenja sa oštrim ivicama manje „slepljuju“ i lakše se vode.
- ▶ Upotrebljavajte električni alat, pribor, alate koji se umeću itd. prema ovim uputstvima. Obratite pažnju pritom na uslove rada i posao koji morate obaviti. Upotreba električnih alata za druge namene koje nisu predviđjene, može voditi opasnim situacijama.

Servisi

Neka Vam Vaš električni alat popravlja samo kvalifikovano osoblje i samo sa originalnim rezervnim delovima. Tako se obezbeđuje, da ostane sačuvana sigurnost aparata.

SIGURNOSNA UPUTSTVA ZA KRUŽNE TESTERE

Postupak testerisanja

- ▶ **OPASNOST:** Ne idite sa Vašim rukama u područje testere i lista testere. Držite sa Vašom drugom rukom dodatnu dršku ili kućište motora. Ako obe ruke drže testeru, one se ne mogu povrediti od lista testere.
- ▶ Ne hvatajte ispod radnog komada. Zaštitna hauba Vas ne može zaštititi ispod radnog komada od lista testere.
- ▶ Podesite dubinu preseka debljini radnog komada. Ne bi trebalo da se vidi ispod radnog komada manje od cele visine zuba.
- ▶ Ne držite radni komad koji se sa već nikada u ruci ili preko noge. Osigurajte radni komad na nekom stabilnom pritezaku. Važno je radni komad dobro pričvrstiti, da bi minimizirali opasnost od kontakta sa telom, stezanja lista testere ili gubitka kontrole.
- ▶ Uхватite električni alat samo za izolovane površine drške, kada izvodite radove, pri kojima upotrebljeni alat može da naiđe na skrivene vodove električne struje ili vlastiti mrežni kabl. Kontakt sa vodom koji provodi napon takođe pod napon stavlja i metalne delove električnog alata i dovodi do električnog udara.
- ▶ Upotrebljavajte kod sečenja po dužini uvek graničnik ili ispravnu vodjicu ivice. Ovo poboljšava tačnost sečenja i smanjuje mogućnost da se list testere zaglavi.
- ▶ Upotrebljavajte uvek listove testere prave veličine i sa odgovarajućim prihvatnim otvorom (na primer u obliku romba ili okrugao). Listovi testere koji ne odgovaraju montažnim delovima testere, okreću se ekscentrično i utiču na gubitak kontrole.
- ▶ Ne upotrebljavajte nikada oštećene ili pogrešne podmetače lista testere ili zavrtnje. Podmetači lista testere i završnji su specijalno konstruisani za Vašu testeru, za optimalni učinak i sigurnost u radu.
- ▶ Povratan udarac - Uzroci i odgovarajuća sigurnosna uputstva
 - Povratan udarac je iznenadna reakcija usled lista testere koji zapinje, „slepljuje“ i koji je pogrešno centriran, koja utiče na to, da se nekontrolisana testera podiže i pokreće iz radnog komada nepoželje u pravcu osobe koja radi.
 - Kada list testere zapinje ili „slepljuje“ u zazoru testere, ona blokira i motorna sila udara nazad testeru u pravcu radnika.
 - Ako se list testere u zazoru izvije ili pogrešno centririra, mogu zubi zadnje ivice lista testere zakačiti površinu radnog komada, pri čemu se list testere vraća nazad iz zazora i iskače u pravcu radnika. Povratan udarac je posledica pogrešne ili felerične upotrebe testere. On se može sprečiti pogodnim merama opreza kao što je opisano u daljem tekstu.
- ▶ Držite čvrsto testeru sa obe ruke i Vaše ruke dovedite u položaj u kojem možete prihvatiti sile povratnog udara. Držite se uvek postrani lista testere, nikada u jednoj liniji list testere sa Vašim telom. Pri povratnom udarcu može testera skočiti unazad, međjutim radnik može predviđenim merama opreza savladati sile povratnog udara.
- ▶ Ako list testere zaglavljuje ili Vi prekida rad, isklju-

čite testeru i držite je mirno u radnom komadu, dok se list testere ne umiri. Nikada ne pokušavajte, da uklonite testeru iz radnog komada ili da je povlačite unazad, a da se list testere okreće, jer može uslediti povratni udarac. Pronadjite i uklonite urzor za zaglavljivanje lista testere.

- ▶ Ako hoćete ponovo da pokrenete testeru koja se nalazi u radnom komadu, centrirajte list testere u procepu testere i prokontrolišite, da li zubi testere ne zapinju u radnom komadu. Ako list testere zapinje, može se pokretati napolje iz radnog komada i prouzrokovati povratni urarac, kada se ponovo pokrene testera.
- ▶ Učvrstite velike ploče, da bi smanjili rizik povratnog udarca listom testere koji zapinje. Velike ploče se mogu usled svoje vlastite težine savijati. Ploče se moraju na obe strane učvrstiti, kako u blizini procepa testere tako i na ivici.
- ▶ Ne upotrebljavajte tupe ili oštećene listove testere. Listovi testere sa tupim ili pogrešno centriranim zubima prouzrokuju usled uskog procepa testere povećano trenje, zapinjanje lista testere i povratni udarac.
- ▶ Čvrsto stegnite pre testerisanja podešavanje za dubinu i ugao preseka. Ako se za vreme testerisanja promene uglovi, može se list testere zaglaviti i nastupiti povratni udarac.
- ▶ Budite posebno oprezni kod testerisanja u postojeće zidove ili druga nevidljiva područja. Uronjeni list testere može pri testerisanju u skrivene objekte blakirati i prouzrokovati povratni udarac.

Funkcija donje zaštitne haube

- ▶ Pre svakog korišćenja prokontrolišite, da li donja zaštitna hauba besprekorno zatvara. Ne upotrebljavajte testeru, ako se donja zaštitna hauba ne pokreće slobodno i odmah zatvara. Nikada ne učvršćujte ili vezujte donju zaštitnu haubu u otvorenoj poziciji. Ako bi testera nenamerno pala na pod, može se donja zaštitna hauba iskriviti. Otvorite zaštitnu haubu sa polugom za vraćanje nazad i uverite se, da se slobodno pokreće i da pri svim uglovima i dubinama sečenja ne dodiruje ni list testere a ni druge delove.
- ▶ Prokontrolišite funkciju opruge za donju zaštitnu haubu. Neka sačeka testera sa upotrebom ako donja zaštitna hauba i opruga ne rade besprekorno. Oštećeni delovi, lepljive naslage ili nagomilana piljevina omogućavaju donjoj zaštitnoj haubi da funkcioniše sa kašnjenjem.
- ▶ Rukom otvorite donju zaštitnu haubu samo u slučaju specijalnih rezanja, kao što su „dubinska i ugaona rezanja“. Otvorite donju zaštitnu haubu pomoću ručice koja se povlači u nazad i otpustite je ukoliko je list testere zaronio u radni komad. Kod svih drugih radova testerom donja zaštitna hauba treba automatski da radi.
- ▶ Ne stavljajte testeru na radni sto ili pod, a da donja zaštitna hauba nije pokrila list testere. Nezaštićeni list testere u radu pokreće testeru nasuprot pravca sečenja i seče šta mu je na putu. Pazite pritom na vreme zaustavljanja testere.

TEHNIČKA SPECIFIKACIJA:

Broj predmeta	41 343	
Model	CS 55/1200 PLUS	
Napon/Frekvencija	V/Hz	220-240/50
Električna snaga	W	1.200
Brzina bez opterećenja	min ⁻¹	5.500
Dimenzije lista testere	mm	Ø165
Maks. dubina sečenja pod uglom od 90°	mm	55
Maks. dubina sečenja pod uglom od 45°	mm	36
Težina (bez pribora) pribl.	kg	3,5

Klasa zaštite □ / II

Vrednosti emisije šumova se određuju u skladu sa EN 60745-1, EN 60745-2-5

A-vrednovan nivo šumova uređaja iznosi tipično

Nivo zbučnog pritiska	dB(A)	92,7
Nivo snage zvuka	dB(A)	103,7
Nesigurnost K	dB	3

Nosite zaštitu za sluh!

Ukupne vrednosti vibracija a_h (zbir vektora tri pravca) i nesigurnost K su dobijeni prema EN 60745-1, EN 60745-2-5

Ukupne vrednosti vibracija:

a_h	m/s ²	4,75
K	m/s ²	1,5

Opis rada:

1. Ručica donjeg štitnika
2. Izlaz za izbacivanje prašine
3. List testere
4. Indikator napajanja
5. Pomoćna drška
6. Poklopac ugljeničnih četkica
7. Skala ugla iskošenja
8. Zavrtanj za podešavanje ugla iskošenja
9. Zavrtanj za ivični graničnik
10. Osnovna ploča
11. Ivični graničnik
12. Spoljašnja prirubnica
13. Zavrtanj za stezanje lista testere
14. Donji štitnik
15. Taster za blokadu vretena
16. Prekidač za UKLJUČIVANJE/ISKLUČIVANJE
17. Blokada uključivanja za prekidač za uključivanje i isključivanje
18. Glavna drška
19. Skala dubine sečenja
20. Ručica za zaključavanje podešene dubine

MONTAŽA

Važno: Pre montaže i podešavanja uvek isključite alat iz struje.

Menjanje lista testere (3, 4)

Upozorenje: Pre svih radova na podešavanju ili priključivanju pribora obavezno izvucite mrežni utikač iz utičnice. Nemojte da koristite abrazivne diskove.

1. Kružnu testeru okrenite na stranu i postavite na ravnu površinu. Preporučuje se da osnovnu ploču spustite u položaj za minimalnu dubinu sečenja sa kojom se lakše radi.
2. Pritisnite taster za blokadu vretena **15** prema kućištu motora, kao što je prikazano na sl. 3 i čvrsto zadržite.
3. Okrećite zavrtnj za stezanje lista testere **13** suprotno smeru kretanja kazaljke na satu pomoću imbus ključa koji je isporučeno uz alat.
4. Uklonite zavrtnj za stezanje lista testere i spoljašnju prirubnicu **12**.
5. Podignite donji štitnik **14** pomoću ručice za donji štitnik **1**, a zatim uklonite list testere.
6. Očistite prirubnice lista testere, a zatim montirajte novi list testere na izlazno vreteno i prema unutrašnjoj prirubnici.
7. Pobrinite se da zupci testere i strelica na listu testere budu okrenuti u istom smeru kao strelica na donjem štitniku.
8. Ponovo montirajte spoljašnju prirubnicu i zategnite zavrtnj za stezanje lista testere.
9. Uverite se da se list testere slobodno kreće tako što ćete ga okrenuti rukom.

Podešavanje dubine (5)

1. Popustite ručicu za zaključavanje podešene dubine **20**.
2. Osnovnu ploču postavite ravno u odnosu na ivicu predmeta obrade i podižite telo testere dok list testere ne dođe na odgovarajuću dubinu koja se očitava na skali dubine sečenja **19** (poravnajte liniju skale).
3. Zategnite ručicu za zaključavanje podešene dubine.

Podešavanje ugla (6)

1. Popustite zavrtnj za podešavanje ugla iskošenja **8**.
2. Podesite stopu na željeni ugao između 0° i 45°. [Pogledajte deo Skala ugla iskošenja **7**].
3. Zategnite zavrtnj za podešavanje ugla iskošenja.

Uključivanje i isključivanje (7)

Pre uključivanja pomoću prekidača za UKLJUČIVANJE/ISKLJUČIVANJE proverite da li je list testere pravilno montiran, da li se nesmetano kreće i da li je zavrtnj za stezanje lista dobro zategnut.

1. Uključite mrežni utikač u struju; indikator napajanja **4** će ostati upaljen sve dok se alat ne isključi iz struje.
2. Da biste uključili kružnu testeru, pritisnite blokadu uključivanja za prekidač za uključivanje i isključivanje **17** i povucite okidač prekidača za UKLJUČIVANJE/ISKLJUČIVANJE **16**.
3. Kada otpustite okidač prekidača **16**, alat se isključuje.

Podešavanje paralelnog sečenja (8)

1. Popustite zavrtnj za podešavanje ivičnog graničnika **9**.
2. Gurnite ivični graničnik **11** kroz proreze u stopi da podesite željenu širinu.
3. Zategnite zavrtnj za blokadu da biste ga učvrstili u tom položaju.
4. Pobrinite se da ivični graničnik bude oslonjen na drvo celom svojom dužinom da bi obezbedio paralelno rezanje.

Zamena ugljeničnih četkica (9)

Iz bezbednosnih razloga, mašina se automatski isključuje ako su ugljenične četkice istrošene tako da više nemaju kontakt sa motorom. U tom slučaju je neophodno zameniti ugljenične četkice parom sličnih ugljeničnih četkica koje se mogu nabaviti preko mreže za pružanje usluga nakon prodaje ili od kvalifikovanog stručnog lica. Odvičajem popustite poklopac ugljeničnih četkica u smeru suprotnom od smera kretanja kazaljki na satu, otvorite poklopac i izvadite ugljenične četkice.

Ako su dužine 6 mm ili manje, moraju da se zamenju. Postavite nove ugljenične četkice i ponovo vratite kućište četkica.

OPREZ: Četkice uvek moraju da se zamenjuju u paru.

OPREZ: Uvek isključite mašinu iz struje pre nego što uklonite bilo kakav poklopac električnog alata.

RAD

Testerisanje opšte namene

1. Kada počinjete, uvek uhvatite dršku testere jednom rukom, a pomoćnu dršku **5** drugom rukom. Nikada ne forsirajte testeru, ali održavajte dobre uslove osvetljenja i primenjujte konstantan pritisak, a po završetku sečenja sačekajte da se testera u potpunosti zaustavi. U slučaju prekida tokom sečenja, nastavite sečenje tako što ćete prvo sačekati da list testere postigne punu brzinu, a zatim ga polako ponovo umetnuti u rez.
2. Kada se seče duž teksture drveta, vlakna drveta imaju tendenciju da se podižu i kidaju. Postepeno pomeranje testere svodi ovaj efekat na najmanju meru.

Izrezivanje džepova

1. Pre svih radova na podešavanju izvucite mrežni utikač iz utičnice. Podesite dubinu na osnovu debljine reza. Podignite gornji štitnik pomoću ručice za podizanje.
2. Pokrenite testeru sa listom testere iznad samog materijala koji seče te i sačekajte da list testere postigne punu brzinu. Prednjim delom stope, kao tačkom rotacije, postepeno spuštajte list testere u materijal koji se seče. Kada list testere počne da seče, otpustite donji štitnik. Postavite stopu tako da se ravno oslanja na površinu koja se seče i nastavite sa sečenjem prema napred do kraja reza. Sačekajte da se list testere u potpunosti zaustavi pre nego što ga izvadite iz reza. Nikada ne povlačite testeru unazad, jer bi došlo do izdizanja lista testere iz reza i povratnog udara. Okrenite testeru i završite rez kao i obično.

tako što ćete sečenje obavljati u smeru prema napred. Po potrebi obradite izrezane uglove pomoću ubodne ili ručne testere.

Testiranje dužih panela

1. Duži paneli ili ploče zahtevaju podupiranje kako bi se sprečilo njihovo savijanje ili uleganje. Ako pokušate da testerišete a da prethodno niste obavili nivelisanje niti pravilno podupiranje predmeta obrade, list testere će se blokirati i dovesti do povratnog udara.
2. Poduprite tablu ili ploču u blizini reza. Pobrinite se da list testere podesite tako da materijal može da se seče a da ne zasečete sto ili radnu klupu. Predlog: koristite daske kao podupirače za ploču ili tablu koju treba da sečete. Ako je komad previše dugačak za radnu klupu, koristite pod zajedno sa daskama za podupiranje drveta.

ODRŽAVANJE

1. Da biste se zaštitili od nezgoda, uvek isključite testeru iz struje pre bilo kakvih radova na čišćenju ili održavanju testere. Testera se najefikasnije čisti komprimovanim vazduhom. Uvek nosite zaštitne naočare kada koristite komprimovani vazduh. Ako komprimovani vazduh nije na raspolaganju, upotrebite četku da biste testeru očistili od prašine i strugotina.
2. Otvori za ventilaciju motora i ručice prekidača moraju uvek da budu čisti. Ne pokušavajte da čistite umetanjem šiljatih predmeta kroz otvore.
3. Za čišćenje plastike nikada nemojte da koristite alkalna sredstva za čišćenje, kao što su: benzin, ugljenik tetrahlorid, rastvarači za čišćenje koji sadrže hlor, amonijak i sredstva za čišćenje na bazi amonijaka. Nijedno od ovih sredstava nemojte da koristite za čišćenje testere.
4. U slučaju većeg varničenja, neka ovlašćeni servisni centar proveriti i/ili zameni istrošene ugljenične četkice.
5. Listovi testere se vremenom otupe, čak i kada se testerišete obično drvo. Siguran znak tupog lista testere je potreba za primenom veće sile tokom sečenja prema napred. Odnosite list testere na oštrenje u servisni centar.
6. Održavajte čistoću mašine tako da uvek bude čista.
7. U slučaju da otkrijete bilo kakvo oštećenje, proverite montažni crtež i listu delova da biste utvrdili koji rezervni deo treba da naručite od naše servisne službe.
8. Za čišćenje kućišta koristite samo vlažnu krpu. Nemojte da koristite nikakve rastvarače! Nakon toga temeljno osušite. Da bi se održavao kapacitet akumulatora, preporučujemo da se akumulator jednom mesečno u potpunosti isprazni, a zatim ponovo napuni do kraja. Skladištite samo sa napunjenim akumulatorom i povremeno dopunjujte akumulator ako je period skladištenja duži. Skladištite na suvom mestu zaštićenom od mraza, na kome ambijentalna temperatura ne prelazi 40°C.
9. U slučaju da se ošteti kabl za napajanje ovog električnog alata, mora da se zameni sličnim kablom koji se može naručiti preko servisne mreže ili od ovlašćenog kvalifikovanog servisera.

OPREZ: Za čišćenje plastičnih delova ovog alata nemojte da koristite sredstva za čišćenje. Preporučuju se blagi deterdženti i vlažna krpa. Voda ne sme da dođe u dodir sa alatom.

Značenje simbola precrtane kante za otpad:

Ne odlažite električne uređaje zajedno sa nerazvrstanim komunalnim otpadom, već ih odnesite u odgovarajuće sabirne centre. Informacije o dostupnim sistemima za sakupljanje ovog otpada potražite od lokalnih vlasti. Ako se električni uređaji odlažu na otvorenom prostoru ili deponijama, opasne supstance mogu dospeti u podzemne vode, čime se ugrožava lanac ishrane, zdravlje i kvalitet života.

GARANCIJE

Ovaj proizvod je garantovan u skladu sa zakonskim / državnim propisima, koji stupaju na snagu od dana kupovine od strane prvog korisnika. Šteta koja se može pripisati normalnom habanom i ceđanju, preopterećenju ili nepravilnom rukovanju biće isključena iz garancije. U slučaju zahteva, pošaljite mašinu, potpuno okupljenu, vašem dileru ili zvaničnom servisnom centru.

Hrvatski

OPĆE SIGURNOSNE UPUTE ZA ELEKTRIČNI UREĐAJ

Pročitajte sva sigurnosna upozorenja i upute. Nepridržavanje sigurnosnih upozorenja i uputa može dovesti do strujnog udara, požara i/ili teških ozljeda. Sačuvajte sva upozorenja i upute za svaku buduću upotrebu. Izraz "električni uređaj", koji se koristi u upozorenjima, se odnosi na električne uređaje koji rade na električnu energiju (uz pomoć električnog kabela) kao i na električne uređaje koji rade uz pomoć baterije (bez električnog kabela).

SIGURNOST RADNOG PROSTORA

- ▶ Održavajte prostor u kojem radite čistim i dobro osvijetljenim. Nuredna i tamna mjesta za rad mogu uzrokovati nesreće.
- ▶ Ne koristite električni uređaj u eksplozivnom okruženju, u blizini zapaljivih tekućina, plinova ili prašine. Električni uređaji stvaraju iskre koje mogu zapaliti prašinu ili pare.
- ▶ Kada koristite električni uređaj djecu i druge osobe držite na sigurnoj udaljenosti od njega. U slučaju odvlačenja pažnje možete izgubiti kontrolu nad uređajem.

SIGURNOST OD ELEKTRIČNE STRUJE

- ▶ Utičać na kabelu električnog uređaja mora odgovarati utičnici. Ni u kojem slučaju ne mijenjajte utikač. Utičaće s adapterom nemojte koristiti u kombinaciji s uzemljenim električnim uređajima. Nepromijenjeni utikači i odgovarajuće utičnice smanjuju opasnost od strujnog udara.
- ▶ Izbjegavajte dodir tijela s uzemljenim površinama, kao što su cijevi, grijača tijela, štednjaci ili hladnjaci. Ako je vaše tijelo uzemljeno, postoji povećana opasnost od strujnog udara.
- ▶ Ne izlažite uređaj kiši ili vlazi. Prodiranje vode u električni uređaj povećava opasnost od strujnog udara.
- ▶ Ne koristite električni kabel za prenošenje ili povlačenje alata kao ni za isključivanje utikača iz utičnice. Držite kabel podalje od pretjerane topline, oštih rubova i/ili pokretnih dijelova. Oštećeni ili zapetljani električni kabeli povećavaju opasnost od strujnog udara.
- ▶ Kada s električnim uređajem radite na otvorenom, koristite produžne kabele pogodne za vanjsku upotrebu. Upotreba kabela pogodnih za vanjsku upotrebu smanjuje opasnost od strujnog udara.
- ▶ Ukoliko nije moguće izbjeći upotrebu električnog uređaja u vlažnoj sredini, koristite zaštitnu strujnu sklopku FI/RCD. Upotreba zaštitne strujne sklopke smanjuje opasnost od strujnog udara.

OSOBNA SIGURNOST

- ▶ Uvijek budite na oprezu, pazite šta radite i uređaj koristite razumno. Ne koristite električni uređaj kad ste umorni ili pod utjecajem droga, alkohola ili lijekova. Trenutak nepažnje prilikom rukovanja električnim uređajem može dovesti do ozbiljnih ozljeda.
- ▶ Koristite osobnu zaštitnu opremu. Uvijek nosite zaštitne naočale. Kad koristite odgovarajuću zaštitnu opremu, kao što su maska za zaštitu od prašine, zaštitne cipele protiv klizanja, zaštitnu kacigu ili čepice

za zaštitu sluha, ovisno o vrsti električnog alata s kojim radite, smanjujete mogućnost ozljede.

- ▶ Spriječite nenamjerno uključivanje uređaja. Prije nego što priključite uređaj na izvor napajanja i/ili bateriju, uvjerite se da je prekidač električnog uređaja u položaju „isključeno“, a isto to učinite prilikom uzimanja ili prenošenja aparata. Prenosjenjem električnog uređaja s prstom na prekidaču ili spajanjem uređaja na izvor struje dok je prekidač uređaja u položaju ON, povećavate opasnost od ozljeda.
- ▶ Prije uključivanja električnih uređaja uklonite s njih uređaje za podešavanje ili ključeve. Ostavljanje uređaja ili ključa na rotirajućem dijelu električnog uređaja može dovesti do ozljeda.
- ▶ Ne prećenjajte vlastite sposobnosti. Vodite računa da vam tijelo ima siguran oslonac i stalno održavajte ravnotežu. To omogućuje bolju kontrolu električnog uređaja u neočekivanim situacijama.
- ▶ Nosite prikladnu odjeću. Ne nosite široku odjeću ni nakit. Kosu, odjeću i rukavice držite podalje od pokretnih dijelova. Pokretni dijelovi mogu zahvatiti labavu odjeću, nakit ili dugu kosu.
- ▶ Ako je omogućeno priključivanje uređaja za usisavanje ili uklanjanje prašine, osigurajte njihovo pravilno povezivanje i upotrebu. Upotreba uređaja za usisavanje prašine može smanjiti opasnost koja može biti uzrokovana prašinom.

BRIŽLJIVA UPOTREBA I KORIŠTENJE ELEKTRIČNIH UREĐAJA

- ▶ Nemojte preopterećivati električni uređaj. Za svaki posao koristite za njega namijenjen električni uređaj. Upotrebljavajući odgovarajući električni uređaj radite bolje i sigurnije u navedenom području rada.
- ▶ Nikada ne upotrebljavajte električni uređaj ako je prekidač na njemu pokvaren. Električni uređaj koji se više ne može isključiti ili uključiti opasan je i mora se popraviti.
- ▶ Prije podešavanja, zamjene dijelova ili pospremanja električnog uređaja, isključite utikač iz utičnice ili odstranite bateriju. Te sigurnosne preventivne mjere smanjuju opasnost od nehotičnog pokretanja električnog uređaja.
- ▶ Električne uređaje koje ne upotrebljavate pohranite izvan dohvata djece. Ne dopustite rad s uređajem osobama koje nisu upoznate s njim ili nisu pročitale ove upute. Električni uređaji opasni su ako se koriste od strane neiskusnih osoba.
- ▶ Pažljivo održavajte električni uređaj. Provjeravajte funkcioniraju li pokretni dijelovi uređaja besprijekorno, bez da blokiraju, i jesu li možda polomljeni ili oštećeni neki dijelovi koji utječu na način rada električnog uređaja. Prije ponovne uporabe, pokvareni električni uređaj odnesite na popravak. Velik broj nezgoda uzrokovano je loše održavanim električnim uređajima.
- ▶ Dijelove za rezanje održavajte oštirima i čistima. Brižno održavani dijelovi za rezanje rjeđe zapinju i njima se lakše upravlja.
- ▶ Električne uređaje, dijelove, uređaje koji se umeću itd. upotrebljavajte u skladu s ovim uputama. Također obratite pažnju na uvjete rada i posao koji trebate obaviti. Upotreba električnog uređaja za poslove za koje nije namijenjen može dovesti do opasnih situacija.

SERVIS

Svoj uređaj predajte na popravak isključivo kvalificiranim stručnim osobama koje koriste originalne rezervne dijelove. Time će se osigurati održavanje sigurnosti uređaja.

SIGURNOSNE UPUTE ZA KRUŽNE PILE

Postupak piljenja

- ▶ **OPASNOST:** Ne stavljajte ruke u područje piljenja ni na list pile. Drugom rukom držite dodatnu dršku ili kućište motora. Kad pilu držite objema rukama, list pile vas ne može ozlijediti.
- ▶ Ne stavljajte ruke ispod predmeta obrade. Zaštitni poklopac vas ne može zaštititi u predijelu ispod predmeta obrade.
- ▶ Dubljinu reza prilagodite debljini izratka. Ispod izratka se smije vidjeti manje od pune visine zupca lista pile.
- ▶ Izradak koji pilite nikada ne pridržavajte rukom i ne naslanjajte ga na noge. Izradak osigurajte u stabilnom prihvat. Važno je dobro učvrstiti izradak kako bi se minimalizirala opasnost od dodira s tijelom, zaglavljena lista pile ili gubitka kontrole nad uređajem.
- ▶ Tijekom radova kod kojih alat može doći u dodir sa skrivenim strujnim kabelima ili vlastitim priključnim kabelom, električni alat držite za izolirane ručke. Kontakt s kabelom pod naponom može uzrokovati napon i u metalnim dijelovima električnog alata pod naponom te uzrokovati električni udar.
- ▶ Kod uzdužnog rezanja uvijek upotrebljavajte graničnik ili vodilicu za ravne rubove. To poboljšava preciznost reza i smanjuje mogućnost zaglavljena lista pile.
- ▶ Uvijek upotrebljavajte listove pile prave veličine, s odgovarajućim prihvatnim površtom (npr. u obliku romba ili okruglim). Listovi pile koji ne odgovaraju montažnim dijelovima pile, vrte se neravnomjerno i uzrokuju gubitak kontrole.
- ▶ Nikada nemojte upotrebljavati oštećene ili pogrešne podložne pločice ni vijci za list pile konstruirani su specijalno za vašu pilu te osiguravaju optimalan učinak i sigurnost pri radu.
- ▶ Povratni udar-uzroci i odgovarajuće sigurnosne napomene
 - Povratni udar je nagla reakcija izazvana listom pile koji se zaglavio ili je pogrešno centriran i koji uzrokuje nekontrolirano iskakanje lista pile iz predmeta obrade i njegovo odskakanje prema rukovatelju.
 - Ako se list pile zakvači ili zaglavi u prorezu za piljenje u kojem se nalazi, blokira se, a sila motora udara pilu prema natrag, prema rukovatelju.
 - Ako se list pile u rezu zakrene ili je pogrešno poravnat, zupci stražnjeg ruba lista pile mogu se zakvačiti u površinu predmeta obrade, pri čemu postoji opasnost da list pile iskoči iz proreza za piljenje te se odskačući prema natrag usmjeri prema rukovatelju/ici. Povratni udar je posljedica pogrešne ili neispravne uporabe pile te se može spriječiti prikladnim mjerama opreza kao što je opisano u nastavku.
- ▶ Pilu čvrsto uhvatite objema rukama te vodite računa o tome da vam je tijelo postavljeno tako da se može oduprijeti eventualnim povratnim udarima. Uvijek se držite bočno od lista pile i nikada se ne postavljajte tijelom u istu ravninu s listom pile. U slučaju povratnog udara kružna pila može skočiti prema natrag, ali ruko-

vatelj može prikladnim mjerama opreza svladati sile povratnog udara.

- ▶ Ako se list pile zaglavi ili ako prestajete s radom, isključite pilu i držite je mirno u predmetu obrade sve dok se list pile ne zaustavi. Nikada ne pokušavajte pilu izvući iz izratka niti je uklanjati iz njega, sve dok se list pile kreće, jer u suprotnom može doći do povratnog udara. Utvrdite i otklonite uzrok zaglavljena lista pile.
- ▶ Ako želite ponovno pokrenuti pilu koja se nalazi u izratku, centrirajte list pile u prorezu za piljenje i provjerite nisu li zupci pile zaglavljeni u izratku. Ako je list pile zaglavljen, kad ponovno uključite pilu on može iskočiti iz izratka i uzrokovati povratni udar.
- ▶ Velike ploče poduprite kako biste smanjili rizik od povratnog udara zaglavljenog lista pile. Velike ploče se mogu saviti pod vlastitom težinom. Ploče moraju biti poduprte na objema stranama, kako u blizini proreza za piljenje, tako i na rubu.
- ▶ Ne upotrebljavajte tupe ili oštećene listove pile. Listovi pile s tupim ili pogrešno usmjerenim zupcima unutar preuskog otvora za piljenje dovode do povećanog trenja, zaglavljena lista pile i povratnog udara.
- ▶ Prije piljenja pritegnite postavke dubine reza i kuta reza. Ako se postavke promijene tijekom piljenja, list pile se može zaglaviti i izazvati povratni udar.
- ▶ Budite posebno oprezni pri piljenju u postojećim zidovima ili drugim područjima koja ne možete vidjeti. Uranjajući list pile može tijekom piljenja udariti i biti blokiran od strane skrivenih objekata te izazvati povratni udar.

Funkcija donjeg zaštitnog poklopca

- ▶ Prije svake uporabe provjerite zatvara li se donji zaštitni poklopac besprijekorno. Nemojte upotrebljavati pilu, ako se donji zaštitni poklopac ne kreće slobodno i ako se odmah ne zatvara. Donji zaštitni poklopac nikada nemojte zaglavljivati niti vezati u otvorenom položaju. Ako pila slučajno padne na pod, donji zaštitni poklopac se može skriviti. Povratnom polugom otvorite zaštitni poklopac te se uvjerite da se slobodno kreće i da kod svih kutova i dubina reza ne dodiruje ni list pile ni druge dijelove.
- ▶ Provjerite funkciju opruge za donji zaštitni poklopac. Ako donji zaštitni poklopac i opruga ne rade besprijekorno, prije uporabe organizirajte popravak pile. Oštećeni dijelovi, ljepljive naslage ili nakupine strugotine utječu na kašnjenje u radu donjeg zaštitnog poklopca.
- ▶ Donji zaštitni poklopac otvarajte rukom samo kod posebnih rezova, npr. „uronskih rezova i rezova pod kutom“. Povratnom polugom otvorite donji zaštitni poklopac i otpustite je kada list pile uroni u izradak. Kod svih ostalih radova piljenja donji zaštitni poklopac mora raditi automatski.
- ▶ Pilu ne odlažite na radni stol ili na pod, ako donji zaštitni poklopac ne pokriva list pile. Nezaštićeni list pile u pokretu pomiče pilu u smjeru suprotnom od smjera rezanja pileći sve što mu se nađe na putu. Zbog toga vodite računa o vremenu inercijskog rada lista pile.

TEHNIČKA OBILJEŽJA:

Br. art.	41 343	
Model	CS 55/1200 PLUS	
Napon/ Frekvencija	V/Hz	220-240/50
Nazivna snaga	W	1.200
Broj okretaja bez opterećenja	min ⁻¹	5.500
Promjer lista pile	mm	Ø165
Maksimalna dubina rezanja pod kutom od 90°	mm	55
Maksimalna dubina rezanja pod kutom od 45°	mm	36
Težina (bez pribora)	kg	3,5

Klasa zaštite **Vrijednosti emisije buke određene u skladu s EN 60745-1, EN 60745-2-5**

Karakteristična razina buke uređaja određena je prema A-vrednovanoj ljestvici i iznosi:

Razina zvučnog tlaka	dB(A)	92,7
Razina zvučne snage	dB(A)	103,7
Nesigurnost K	dB	3

Nosite zaštitu za sluh!**Ukupne vrijednosti vibracija ah (zbroj vektora tri pravca) i nesigurnost K su određeni prema EN 60745-1, EN 60745-2-5**

Ukupne vrijednosti vibracija:

a _h	m/s ²	4,75
K	m/s ²	1,5

Opis funkcija:

1. Poluga donjeg zaštitnog poklopc
2. Izlaz za prašinu
3. List pile
4. Indikator napajanja
5. Pomoćna drška
6. Poklopac karbonskih četkica
7. Regulator kuta
8. Vijak za određivanje kuta nagiba
9. Vijak za zaključavanje paralelnog rubnika
10. Osnovna ploča
11. Paralelni rubnik
12. Vanjska prirubnica
13. Vijak za stezanje lista pile
14. Donji zaštitni poklopac
15. Tipka za zaključavanje vretena
16. Prekidač za UKLJUČIVANJE/ISKLUČIVANJE
17. Dugme za zaključavanje
18. Glavna drška
19. Skala dubine rezanja
20. Poluga za zaključavanje prilagođene dubine

MONTIRANJE

Važno: Prije bilo kakvog montiranja i prilagođavanja alat uvijek isključite iz struje.

Mijenjanje lista pile (3, 4)

Upozorenje: Prije svih radova na prilagođavanju ili priključivanju pribora izvucite mrežni utikač iz utičnice. Ne koristite abrazivne diskove.

1. Kružnu pilu okrenite na stranu i postavite na ravnu površinu. Preporučuje se da osnovnu ploču spustite u položaj za minimalnu dubinu rezanja, jer je tako rukovanje lakše.
2. Gurnite tipku za zaključavanje vretena **15** prema kućištu motora, kao što prikazuje strelica na slici 3 i zadržite je pritisnutom.
3. Okrećite vijak za stezanje lista pile **13** suprotno od smjera kretanja kazaljke na satu pomoću ključa koji je isporučen uz alat.
4. Uklonite vijak za stezanje lista pile i vanjsku prirubnicu **12**.
5. Podignite donji zaštitni poklopac **14** uz pomoć poluge za donji zaštitni poklopac **1**, a zatim uklonite list pile.
6. Očistite prirubnice lista pile, a zatim montirajte novi list pile na izlazno vreteno i nasuprot unutrašnjoj prirubnici.
7. Uvjerite se da su zupci pile i strelica na listu pile okrenuti u istom smjeru kao strelica na donjem zaštitnom poklopcu.
8. Ponovno montirajte vanjsku prirubnicu i zategnite vijak za stezanje lista pile.
9. Uvjerite se da se list pile neometano kreće okrećući ga rukom.

Prilagođavanje dubine rezanja (5)

1. Popustite polugu za zaključavanje prilagođene dubine (20).
2. Osnovnu ploču postavite ravno u odnosu na rub predmeta obrade i podižite tijelo pile dok list pile ne dođe na odgovarajuću dubinu koja se očitava na skali dubine rezanja (19) (poravnajte liniju skale).
3. Zategnite ručicu

Određivanje kuta (6)

1. Popustite vijak za određivanje kuta nagiba (8).
2. Podesite stopu na željeni kut između 0° i 45°. [Pogledajte dio Regulator kuta (7)].
3. Zategnite vijak za određivanje kuta nagiba.

Uključivanje i isključivanje (7)

Prije uključivanja uz pomoć prekidača za UKLJUČIVANJE / ISKLJUČIVANJE provjerite je li list pile ispravno montiran, kreće li se nesmetano i je li vijak za stezanje lista dobro zategnut.

1. Uključite mrežni utikač u struju; indikator napajanja (5) će ostati upaljen sve dok se alat ne isključi iz struje.
2. Da biste uključili kružnu pilu, pritisnite dugme za zaključavanje (17) te istovremeno stisnite prekidač za UKLJUČIVANJE/ISKLUČIVANJE (16).
3. Kada otpustite prekidač (16), alat se isključuje.

Prilagodavanje paralelnog rezanja (8)

1. Popustite vijak za zaključavanje paralelnog rubnika (9).
2. Gurnite paralelni rubnik (11) kroz proreze u stopi do željene širine.
3. Zategnite vijak za zaključavanje da biste ga zaključali u tom položaju.
4. Pobrinite se da paralelni rubnik bude oslonjen na drvo cijelom svojom dužinom kako bi osigurao paralelno rezanje.

Zamjena karbonskih četkica (9)

Iz sigurnosnih razloga, uređaj se automatski isključuje ako su karbonske četkice istrošene, kako više ne bi dolazile u kontakt s motorom. U tom slučaju se karbonske četkice moraju zamijeniti parom sličnih karbonskih četkica koje se mogu nabaviti preko službe za pomoć kupcima ili kvalificirane stručne osobe. Odvijačem popustite poklopac karbonskih četkica u smjeru suprotnom od smjera kretanja kazaljki na satu, otvorite poklopac i izvadite karbonske četkice. Ako su dužine 6 mm ili kraće, obje se moraju zamijeniti. Postavite nove karbonske četkice i ponovo zategnite poklopac četkica.

PAŽNJA: Četkice se uvijek moraju zamjenjivati u paru.

PAŽNJA: Uvijek isključite uređaj iz struje prije nego što uklonite bilo kakav poklopac električnog alata.

RAD

Piljenje opće namjene

1. Kada započinjete, uvijek držite jednom rukom ručku pile, a drugom rukom pomoćnu dršku (5). Nikada ne forsirajte pilu, nego održavajte lagani, konstantni pritisak. Po završetku rezanja sačekajte da se pila u potpunosti zaustavi. U slučaju prekida tijekom rezanja, nastavite rezanje tako što ćete prvo sačekati da list pile postigne punu brzinu, a zatim ga polako ponovo umetnete u rez.
2. Kada režete duž teksture drveta, vlakna drveta imaju tendenciju podizanja i pucanja. Postupno pomicanje pile svodi ovaj učinak na najmanju mjeru.

Izrezivanje džepova

1. Prije obavljanja bilo kakvog podešavanja na pili, izvucite mrežni utikač iz utičnice. Prilagodite dubinu na osnovu debljine reza. Podignite donji štitnik uz pomoć poluge za podizanje.
2. Postavivši list pile iznad samog materijala koji želite rezati pokrenite pilu i sačekajte da list pile postigne punu brzinu. Prednjim dijelom podnožja, kao točkom rotacije, postupno spuštajte list pile u materijal koji režete. Kada list pile počne rezati, otpustite donji zaštitni poklopac. Postavite podnožje tako da se ravno oslanja na površinu koja se reže i nastavite sa rezanjem prema naprijed do kraja reza. Sačekajte da se list pile u potpunosti zaustavi prije nego što ga izvadite iz reza. Nikada ne povlačite pilu unatrag, jer bi došlo do izlivanja lista pile iz reza i povratnog udara. Okrenite pilu i završite rez kao i obično tako što ćete rezanje obavljati u smjeru prema naprijed. Po potrebi obradite izrezane kutove uz pomoć ubodne ili ručne pile.

Piljenje velikih panela

1. Veliki paneli ili ploče zahtijevaju podupiranje kako bi se spriječilo njihovo savijanje ili ulegnuće. Ako pokušate piliti, a da prethodno niste obavili niveliranje niti pravilno podupiranje predmeta obrade, list pile će se blokirati i izazvati povratni udar.
2. Poduprite drvenu pluhu u blizini reza. Pobrinite se da list pile podesite tako da materijal možete rezati a da ne zasijete stol ili radnu klupu. Prijedlog: upotrijebite 2x4" ploče kako biste poduprli pluhu koju trebate rezati. Ako je ploha koju trebate rezati previše dugačka za radnu klupu, za njeno podupiranje koristite pod zajedno sa 2x4" pločama.

ODRŽAVANJE

1. Da biste se zaštitili od nezgoda, uvijek isključite pilu iz struje prije bilo kakvih radova na čišćenju ili održavanju pile. Pila se najefikasnije čisti komprimiranim zrakom. Uvijek nosite zaštitne naočale kada upotrebljavate komprimirani zrak. Ako nemate komprimiranog zraka na raspolaganju, da biste pilu očistili od prašine i strugotina upotrijebite četku.
2. Otvori za ventilaciju motora i ručice prekidača moraju uvijek biti čisti te neometani stranim tijelima. Ne pokušavajte čistiti umetanjem šljastih predmeta kroz otvore.
3. Za čišćenje plastike nikada nemojte koristiti alkalna sredstva za čišćenje, kao što su: benzin, ugljikov tetraklorid, otapala za čišćenje koja sadrže klor, amonijak i kućna sredstva za čišćenje na bazi amonijaka. Nijedno od ovih sredstava nemojte koristiti za čišćenje pile.
4. U slučaju većeg oštećenja, neka ovlašteni servisni centar provjeri i/ili zamijeni istrošene karbonske četkice.
5. Listovi pile s vremenom otupe, čak i kada se pili obično drvo. Siguran znak tupog lista pile je potreba za primjenom veće sile tijekom rezanja prema naprijed. Odnosite list pile na oštrenje u servisni centar.
6. Održavajte čistoću uređaja tako da uvijek bude čist.
7. U slučaju da otkrijete bilo kakvo oštećenje, provjerite tehnički crtež i listu dijelova da biste utvrdili koji rezervni dio trebate naručiti od naše servisne službe.
8. Za čišćenje kućišta koristite samo vlažnu krpu. Nemojte koristiti nikakva otapala! Nakon toga temeljito osušite. Da bi se održavao kapacitet baterije, preporučujemo da se baterija jednom mjesečno u potpunosti isprazni, a zatim ponovno napuni do kraja. Skladištite samo sa napunjenom baterijom i povremeno dopunjujte bateriju ako je period skladištenja duži. Skladištite na suhom mjestu zaštićenom od studeni, na kojem okolna temperatura ne prelazi 40°C.
9. U slučaju da se ošteti kabel za napajanje ovog električnog alata, kabel se mora zamijeniti sličnim kablom koji se može naručiti preko servisne mreže ili od ovlaštenog kvalificiranog serviser.

PAŽNJA: Za čišćenje plastičnih dijelova ovog alata ne koristite sredstva za čišćenje. Preporučuju se blagi deterdženti i vlažna krpa. Voda ne smije doći u dodir s alatom.

Ne odlažite stare električne uređaje zajedno s kućnim otpadom:

Ne odlažite svoje električne uređaje zajedno sa nerazvrstanim komunalnim otpadom. Odnosite ih u odgovarajuće reciklažne centre. Informacije o dostupnim sistemima za sakupljanje ovakve vrste otpada potražite od lokalnih vlasti. Ako se električni uređaji odlažu na otvorenom prostoru ili deponijima, opasne supstance mogu dospjeti u podzemne vode, čime se ugrožava lanac ishrane, zdravlje i kvaliteta života.

JAMSTVO

Ovaj je proizvod zajamčen u skladu sa zakonskim propisima / propisima specifičnim za državu, koji stupaju na snagu od datuma kupnje od strane prvog korisnika. Oštećenja koja se pripisuju uobičajenom trošenju, preopterećenju ili nepravilnom rukovanju bit će isključena iz jamstva. U slučaju potraživanja, pošaljite stroj, potpuno montiran, vašem prodavaču ili službenom servisnom centru.

Română

INDICAȚII GENERALE DE AVERTIZARE PENTRU SCULE ELECTRICE

Citiți toate indicațiile de avertizare și instrucțiunile. Nerespectarea indicațiilor de avertizare și a instrucțiunilor poate provoca electrocutare, incendii și/sau răni grave.

Păstrați toate indicațiile de avertizare și instrucțiunile în vederea utilizărilor viitoare. Termenul de „sculă electrică” folosit în indicațiile de avertizare se referă la sculele electrice alimentate de la rețea (cu cablu de alimentare) și la sculele electrice cu acumulator (fără cablu de alimentare).

Siguranța la locul de muncă

- ▶ Mențineți-vă sectorul de lucru curat și bine iluminat. Dezordinea sau sectoarele de lucru neluminate pot duce la accidente.
- ▶ Nu lucrați cu scula electrică în mediu cu pericol de explozie, în care există lichide, gaze sau pulberi inflamabile. Sculele electrice generează scântei care pot aprinde praful sau vaporii.
- ▶ Nu permiteți accesul copiilor și al altor persoane în timpul utilizării sculei electrice. Dacă vă este distrasă atenția puteți pierde controlul asupra mașinii.

Siguranță electrică

- ▶ Ștecherul sculei electrice trebuie să fie potrivit prizei electrice. Nu este în nici un caz permisă modificarea ștecherului. Nu folosiți fișe adaptoare la sculele electrice legate la pământ de protecție. Ștecherile nemodificate și prizele corespunzătoare diminuează riscul de electrocutare.
- ▶ Evitați contactul corporal cu suprafețe legate la pământ ca țevi, instalații de încălzire, sobe și frigidere. Există un risc crescut de electrocutare atunci când corpul vă este legat la pământ.
- ▶ Feriți mașina de ploaie sau umezeală. Pătrunderea apei într-o sculă electrică mărește riscul de electrocutare.
- ▶ Nu schimbați destinația cablului folosindu-l pentru transportarea sau suspendarea sculei electrice ori pentru a trage ștecherul afară din priză. Feriți cablul de căldură, ulei, muchii ascuțite sau componente aflate în mișcare. Cablurile deteriorate sau încurcate măresc riscul de electrocutare.
- ▶ Atunci când lucrați cu o sculă electrică în aer liber, folosiți numai cabluri prelungitoare adecvate și pentru mediul exterior. Folosirea unui cablu prelungitor adecvat pentru mediul exterior diminuează riscul de electrocutare.
- ▶ Atunci când nu poate fi evitată utilizarea sculei electrice în mediu umez, folosiți un întrerupător automat de protecție împotriva tensiunilor periculoase. Întrebuințarea unui întrerupător automat de protecție împotriva tensiunilor periculoase reduce riscul de electrocutare.

Siguranța persoanelor

- ▶ Fiți atenți, aveți grijă de ceea ce faceți și procedați rațional atunci când lucrați cu o sculă electrică. Nu folosiți scula electrică atunci când sunteți obosiți sau vă aflați sub influența drogurilor, a alcoolului

sau a medicamentelor. Un moment de neatenție în timpul utilizării mașinii poate duce la răniiri grave.

- ▶ Purtați echipament personal de protecție și întotdeauna ochelari de protecție. Purtarea echipamentului personal de protecție, ca masca pentru praf, încălțăminte de siguranță antiderapantă, casca de protecție sau protecția auditivă, în funcție de tipul și utilizarea sculei electrice, diminuează riscul răniirilor.
- ▶ Evitați o punere în funcțiune involuntară. Înainte de a introduce ștecherul în priză și/sau de a introduce acumulatorul în scula electrică, de a o ridica sau de a o transporta, asigurați-vă că aceasta este oprită. Dacă atunci când transportați scula electrică țineți degetul pe întrerupător sau dacă porniți scula electrică înainte de a o racorda la rețeaua de curent, puteți provoca accidente.
- ▶ Înainte de pornirea sculei electrice îndepărtați dispozitivele de reglare sau cheile fixe din aceasta. Un dispozitiv sau o cheie lăsată într-o componentă de mașină care se rotește poate duce la răniiri.
- ▶ Evitați o ținută corporală nefirească. Adoptați o poziție stabilă și mențineți-vă întotdeauna echilibrul. Astfel veți putea controla mai bine mașina în situații neașteptate.
- ▶ Purtați îmbrăcăminte adecvată. Nu purtați îmbrăcăminte largă sau podoabe. Feriți părul, îmbrăcăminte și mânușile de piesele aflate în mișcare. Îmbrăcăminte largă, părul lung sau podoabele pot fi prinse în piesele aflate în mișcare.
- ▶ Dacă pot fi montate echipamente de aspirare și colectare a prafului, asigurați-vă că acestea sunt racordate și folosite în mod corect. Folosirea unei instalații de aspirare a prafului poate duce la reducerea poluării cu praf.

Utilizarea și manevrarea atentă a sculelor electrice

- ▶ Nu suprasolicitați mașina. Folosiți pentru executarea lucrării dv. scula electrică destinată aceluși scop. Cu scula electrică potrivită lucrați mai bine și mai sigur în domeniul de putere indicat.
- ▶ Nu folosiți scula electrică dacă aceasta are întrerupătorul defect. O sculă electrică, care nu mai poate fi pornită sau oprită, este periculoasă și trebuie reparată.
- ▶ Scoateți ștecherul afară din priză și/sau îndepărtați acumulatorul, înainte de a executa reglaje, a schimba accesoriul sau de a pune mașina la o parte. Această măsură de prevedere împiedică pornirea involuntară a sculei electrice.
- ▶ Păstrați sculele electrice nefolosite la loc inaccesibil copiilor. Nu lăsați să lucreze cu mașina persoane care nu sunt familiarizate cu aceasta sau care nu au citit aceste instrucțiuni. Sculele electrice devin periculoase atunci când sunt folosite de persoane lipsite de experiență.
- ▶ Întrețineți-vă scula electrică cu grijă. Controlați dacă componentele mobile ale sculei electrice funcționează impecabil și dacă nu se blochează, sau dacă există piese rupte sau deteriorate astfel încât să afecteze funcționarea sculei electrice. Înainte de utilizarea dați la reparat piesele deteriorate. Cauza multor accidente a fost întreținerea necorespunzătoare a sculelor electrice.
- ▶ Mențineți bine ascuțite și curate dispozitivele de tăiere. Dispozitivele de tăiere întreținute cu grijă, cu tășuri ascuțite se înțepenesec în mai mică măsură și pot fi conduse mai ușor.
- ▶ Folosiți scula electrică, accesoriile, dispozitivele de

lucru etc. conform prezentelor instrucțiuni. Țineți cont de condițiile de lucru și de activitatea care trebuie desfășurată. Folosirea sculelor electrice în alt scop decât pentru utilizările prevăzute, poate duce la situații periculoase.

Service

Încredințați scula electrică pentru reparare numai personalului de specialitate, calificat în acest scop, repararea făcându-se numai cu piese de schimb originale. Astfel veți fi siguri că este menținută siguranța mașinii.

INDICAȚII PRIVIND SIGURANȚA PENTRU FERĂSTRAIELE CIRCULARE

Proces de tăiere

- ▶ PERICOL: Țineți mâinile departe de zona de tăiere și de pânda de ferăstrău. Cea de-a doua mână țineți-o pe mânerul suplimentar sau pe carcasa motorului. Dacă țineți ambele mâini pe ferăstrăul circular, pânda de ferăstrău nu le poate răni.
- ▶ Nu introduceți mâna sub piesa de lucru. Apărătoarea nu vă poate proteja sub piesa de lucru.
- ▶ Adaptați adâncimea de tăiere la grosimea piesei de lucru. Sub piesa de lucru ar trebui să se poată vedea mai puțin decât înălțimea întreaga a unui dinte.
- ▶ Nu fixați niciodată piesa de lucru ce urmează a fi tăiată ținând-o în mână sau pe picior. Asigurați piesa de lucru prin fixare într-un sistem de prindere stabil. Este important să fixați bine piesa de lucru, pentru a reduce la minimum pericolul de contact corporal, blocare a pânzei de ferăstrău sau de pierdere a controlului asupra acesteia.
- ▶ Prindeți scula electrică numai de suprafețele de prindere izolate atunci când executați lucrări pe parcursul cărora accesoriul poate nimeri conductorii electrici ascunși sau propriul cablu de alimentare. Contactul cu un cablu aflat sub tensiune poate pune sub tensiune și componentele metalice ale sculei electrice și duce la electrocutare.
- ▶ La tăierea longitudinală folosiți întotdeauna un opritor sau un limitator paralel pentru margini. Acesta sporește precizia de tăiere și diminuează posibilitatea blocării pânzei de ferăstrău.
- ▶ Folosiți întotdeauna pânze de ferăstrău de dimensiunile corecte și cu orificiu de prindere potrivit (de ex. în formă de stea sau rotund). Pânzele de ferăstrău care nu pot fi fixate strâns în piesele de montaj ale ferăstrăului, se rotește neuniform și duc la pierderea controlului.
- ▶ Nu folosiți niciodată șaibe sau șuruburi deteriorate sau greșite pentru prinderea pânelor de ferăstrău. Șaibele și șuruburile pentru prinderea pânelor de ferăstrău au fost concepute special pentru ferăstrăul dumneavoastră, în vederea atingerii unor performanțe și a unei siguranțe optime în exploatare.
- ▶ Recul - Cauze și instrucțiuni de siguranță corespunzătoare
 - reculul este reacția bruscă care apare atunci când pânda de ferăstrău se agată, se blochează sau este orientată greșit, ceea ce face ca un ferăstrău necontrolat să se ridice și să iasă din piesa de lucru, deplasându-se în direcția operatorului;
 - atunci când pânda de ferăstrău se agată sau se înclăștează în fanta de tăiere care se închide, ea se blochează iar forța motorului aruncă ferăstrăul îna-

poi, în direcția operatorului;

- În cazul în care pânda de ferăstrău este răsucită sau orientată greșit în fanta de tăiere, dinții marginii posterioare a pânzei de ferăstrău se pot agăța în suprafața piesei de lucru, ceea ce face ca pânda de ferăstrău să iasă din fanta de tăiere și ferăstrăul să sară înapoi, în direcția operatorului. Reculul este consecința utilizării greșite sau defectuoase a ferăstrăului. El poate fi împiedicat prin măsuri preventive adecvate, precum cele descrise în continuare.
- ▶ Apucați strâns ferăstrăul cu ambele mâini și aduceți-vă brațele într-o poziție, în care să reziste forțelor de recul. Staționați întotdeauna lateral față de pânda de ferăstrău, nu aduceți niciodată pânda de ferăstrău pe aceeași linie cu corpul dv. În caz de recul ferăstrăul poate sări înapoi, însă operatorul are posibilitatea de a stăpâni forțele de recul prin adoptarea unor măsuri preventive adecvate.
- ▶ În cazul în care pânda de ferăstrău se blochează sau dacă dumneavoastră întrerupeți lucrul, deconectați ferăstrăul și imobilizați piesa de lucru, până când ferăstrăul se oprește complet din funcționare. Nu încercați în niciun caz să îndepărtați piesa de lucru sau să o trageți înapoi, cât timp pânda de ferăstrău se mai mișcă încă, în caz contrar putându-se produce recul. Stabiliți și îndepărtați cauza blocării pânzei de ferăstrău.
- ▶ Atunci când doriți să reporniți ferăstrăul rămas în piesa de lucru, centrați pânda de ferăstrău în făgașul de tăiere și verificați dacă dinții acesteia nu sunt agățați în piesa de lucru. Dacă pânda de ferăstrău este înțepenită, ea poate ieși afară din piesa de lucru sau provoca un recul la repornirea ferăstrăului.
- ▶ Sprijiniți plăcile mari pentru a diminua riscul unui recul provocat de o pânda de ferăstrău înțepenită. Plăcile mari se pot încovoia sub propria greutate. Plăcile trebuie sprijinite pe ambele laturi, atât în apropierea făgașului de tăiere cât și pe margine.
- ▶ Nu folosiți pânze de ferăstrău tocite sau deteriorate. Pânzele de ferăstrău cu dinți tociți sau aliniați greșit produc, din cauza făgașului de tăiere prea îngust, o frecare crescută, înțepenirea pânzei de ferăstrău și reculul.
- ▶ Înainte de tăiere fixați prin strângere dispozitivele de reglare a adâncimii și a unghiului de tăiere. Dacă în timpul tăierii reglajele se modifică, pânda de ferăstrău se poate înțepeni și provoca apariția reculului.
- ▶ Fiți extrem de precauți la tăierea pereților sau a altor sectoare lipsite de vizibilitate. Pânda de ferăstrău care intră în material se poate bloca în obiecte ascunse și provoca un recul.

Funcționarea apărătoarei inferioare

- ▶ Înainte de fiecare întrebuințare, verificați dacă apărătoarea inferioară se închide impecabil. Nu folosiți ferăstrăul dacă apărătoarea inferioară nu se poate mișca liber și nu se închide instantaneu. Nu fixați și nu legați niciodată apărătoarea inferioară în poziție deschisă. Dacă ferăstrăul cade accidental de jos, apărătoarea inferioară se poate îndoi. Deschideți apărătoarea inferioară cu maneta de retragere și asigurați-vă că se poate mișca liber și că, în toate unghiurile și adâncimile de tăiere, nu atinge nici pânda de ferăstrău, nici celelalte componente.
- ▶ Verificați funcționarea arcului apărătorii inferioare. Înainte de întrebuințare întrețineți ferăstrăul în caz că apărătoarea inferioară și arcul nu lucrează impecabil.

Componentele deteriorate, depunerile vâscoase sau aglomerările de așchii produc funcționarea întârziată a apărătorii inferioare.

- ▶ Deschideți cu mâna apărătoarea inferioară numai în cazul tăierilor speciale, ca „tăierile cu intrare directă în material și tăierile unghiulare”. Deschideți apărătoarea inferioară cu maneta de retragere și eliberați-o pe cea din urmă de îndată ce pânda de ferăstrău pătrunde în piesa de lucru. La toate celelalte lucrări de debitare apărătoarea inferioară trebuie să funcționeze automat.
- ▶ Nu puneți ferăstrăul pe bancul de lucru sau pe podea, fără ca apărătoarea inferioară să acopere pânda de ferăstrău. O pânda de ferăstrău neprotejată, care se mai învâрте din inerție, mișcă ferăstrăul în sens contrar direcției de tăiere și taie tot ce îi stă în cale. Respectați timpul necesar opririi ferăstrăului după acționarea întrerupătorului.

SPECIFICAȚIE TEHNICĂ:

Număr de identificare	41 343	
Model	CS 55/1200 PLUS	
Tensiune/Frecvență	V/Hz	220-240/50
Putere nominală	W	1.200
Viteză fără sarcină	min ⁻¹	5.500
Dimensiunea lamei	mm	Ø165
Adâncime max. de tăiere în unghi de 90°	mm	55
Adâncime max. de tăiere în unghi de 45°	mm	36
Greutate (fără accesorii) aprox.	kg	3,5

Clasă de protecție ▣ / II

Valorile zgomotului emis au fost determinate conform EN 60745-1, EN 60745-2-5

A-vrednovan nivo šumova uredjaja iznosi tipično		
Nivo zbučnog pritiska	dB(A)	92,7
Nivo snage zvuka	dB(A)	103,7
Incertitudine K	dB	3

Purtați protecție auditivă!

Valorile totale ale vibrațiilor a_v (suma vectorială a trei direcții) și incertitudinea K au fost determinate conform EN 60745-1, EN 60745-2-5

Valorile totale ale vibrațiilor:		
a _h	m/s ²	4,75
K	m/s ²	1,5

Descriere funcțională:

1. Mâner de protecție inferioară
2. Orificiu de extragere a prafului
3. Lamă de ferăstrău
4. Indicator pornire
5. Mâner auxiliar
6. Capac perie de carbon
7. Calibru de unghi
8. Buton de blocare pentru reglarea unghiului
9. Buton de blocare pentru ghidajul marginii
10. Placă de bază
11. Ghidaj margine
12. Flanșă exterioară
13. Bolț clemă lamă
14. Protecție inferioară
15. Buton blocare ax
16. Comutator ON/OFF (pornire/oprire)
17. Buton de deblocare
18. Mâner principal
19. Calibru de adâncime
20. Mâner de blocare pentru reglarea adâncimii

ASAMBLARE

Important: Înainte de orice asamblare și reglare, deconectați întotdeauna echipamentul.

Înlocuirea lamei (3, 4)

Avertisment: Deconectați întotdeauna ștecherul de la sursa de alimentare înainte de a face orice reglaj sau de a conecta orice accesorii. Nu folosiți roți abrazive.

1. Poziționați acest fierăstrău circular pe o parte, pe o suprafață plată. Vă recomandăm să coborâți placa de bază până la o tăiere de adâncime minimă care este ușor de operat.
2. Împingeți butonul de blocare a axului **15** spre carcasa motorului, după cum ilustrează săgeata din Fig. 3 și țineți-l ferm.
3. Rotiți bolțul clemei lamei **13** în sens invers acelor de ceasornic, folosind cheia imbus care este furnizată împreună cu echipamentul.
4. Scoateți șurubul clemei lamei și flanșa exterioară **12**.
5. Ridicați protecția inferioară **14** folosind mânerul protecției inferioare **1** și apoi scoateți lama fierăstrăului.
6. Curățați flanșele lamei de fierăstrău, apoi montați noua lamă de fierăstrău pe axul de ieșire și contra flanșei interioare.
7. Asigurați-vă că dinții ferăstrăului și săgeata de pe lamă sunt pe aceeași direcție cu săgeata de pe protecția inferioară.
8. Montați la loc flanșa exterioară și strângeți bolțul clemei lamei.
9. Asigurați-vă că lama de fierăstrău funcționează liber, rotind lama manual.

Reglarea adâncimii (5)

1. Slăbiți mânerul de blocare pentru reglarea adâncimii **20**.
2. Țineți placa de bază plată contra marginii piesei de prelucrat și ridicați corpul fierăstrăului până în momentul în care lama ajunge la adâncimea corect determinată de calibrul de adâncime **19** (aliniati linia scalei).

3. Strângeți mânerul de blocare pentru reglarea adâncimii.

Reglarea unghiului (6)

1. Slăbiți butonul de blocare pentru reglarea unghiului **8**.
2. Reglați sabotul la unghiul dorit între 0° și 45°. [Consultați calibrul de unghi **7**].
3. Strângeți butonul de blocare pentru reglarea unghiului.

Pornirea și oprirea (7)

Înainte de a acționa comutatorul ON/OFF (pornire/oprire), verificați ca lama fierăstrăului să fie montată în mod corespunzător și să funcționeze fără nicio problemă, șurubul clemei lamei fiind strâns bine.

1. Conectați ștecherul la sursa de alimentare, indicatorul de pornire **4** este aprins până în momentul în care echipamentul este deconectat de la rețeaua de alimentare.
2. Pentru a porni fierăstrăul circular, apăsați butonul de deblocare **17** și trageți de declanșatorul comutatorului ON/OFF (pornire/oprire) **16**.
3. Când eliberați declanșatorul comutatorului **16**, echipamentul se oprește.

Reglarea tăierii paralele (8)

1. Slăbiți butonul de blocare a ghidajului de margine **9**.
2. Glisiți ghidajul de margine **11** prin fantele din sabot până la lățimea dorită.
3. Strângeți bolțul de blocare pentru a-l securiza în poziție.
4. Asigurați-vă că tot ghidajul de margine se sprijină de lemn pe toată lungimea acestuia pentru a asigura tăieri paralele consecvente.

Înlocuirea periiilor de carbon (9)

Din motive de siguranță, aparatul se oprește automat dacă periiile de carbon sunt atât de uzate încât nu mai intră în contact cu motorul. În acest caz, periiile de carbon trebuie înlocuite cu o perie de carbon asemănătoare, disponibilă prin intermediul organizației de service post-vânzare sau al unei persoane calificate din domeniu. Slăbiți capacul periei de carbon, acționând cu o șurubelniță în sensul acelor de ceasornic, deschideți capacul și îndepărtați periiile de carbon.

Dacă acestea au 6 mm sau mai puțin, trebuie să fie înlocuite amândouă. Montați perii de carbon noi și puneți la loc carcasa periiilor.

ATENȚIE: Periiile trebuie să fie înlocuite întotdeauna în perechi.

ATENȚIE: Deconectați întotdeauna aparatul de la sursa de alimentare înainte de a scoate orice capac de la componente electrice.

FUNCȚIONARE**Tăiere generală**

1. La pornire, țineți întotdeauna mânerul fierăstrăului cu o mână și mânerul auxiliar **5** cu cealaltă mână. Nu forțați niciodată fierăstrăul, ci mențineți o presiune ușoară și continuați până după finalizarea tăierii pentru a permite fierăstrăului să se oprească de tot. Dacă tăierea este întreruptă, reluați tăierea

permițând lamei să ajungă la viteza maximă și apoi intrați în tăietură ușor.

2. Când tăiați transversal, fibrele de lemn au tendința să se ridice și să se rupă, mișcarea ușoară a fierăstrăului reduce la minim acest efect.

Tăiere de buzunar

1. Deconectați ștecherul de la sursa de alimentare înainte de a face orice reglare. Setează reglajul de adâncime în funcție de grosimea liniei desenate pentru tăiere. Ridicați protecția inferioară folosind mânerul de ridicare.
2. Cu lama ușor deasupra materialului ce urmează a fi tăiat, porniți fierăstrăul și permițeti lamei să ajungă la viteza maximă. Coborâți treptat lama până la materialul ce urmează a fi tăiat, folosind marginea din față a sabotului ca punct de pivotare. Când lama începe să taie, eliberați protecția inferioară. Când sabotul se sprijină plat pe suprafața care este supusă tăierii, continuați cu tăierea pe direcție înainte, până la finalul tăierii. Permiteți lamei să se oprească în totalitate înainte de a scoate din tăietură. Nu trageți niciodată în spate de fierăstrău, deoarece lama va ieși din tăietură și va avea loc un recul. Rotiți fierăstrăul și terminați tăietura în mod normal, deplasând fierăstrăul înainte. Folosind un fierăstrău mecanic sau un fierăstrău manual, finalizați tăierea la colțuri, dacă este necesar.

Tăierea plăcilor mari

1. Bucățile sau plăcile mari au nevoie de sprijin pentru a preveni îndoirea sau încovoierea. Dacă încercați să efectuați tăierea fără să puneți totul la nivel și fără să sprijiniți piesa prelucrată, lama va tinde să facă priză, provocând reculul.
2. Sprijiniți bucata sau placa aproape de locul în care efectuați tăierea. Asigurați-vă că setați reglajul lamei astfel încât să puteți tăia materialul fără a tăia masa sau bancul de lucru. Sugestie: folosiți bucăți de scândură groasă de 2 țoli și late de 4 țoli pentru a sprijini panoul sau bucata ce urmează a fi tăiată. Dacă bucata este prea mare pentru bancul de lucru, folosiți podea sau bucăți de scândură groasă de 2 țoli și late de 4 țoli pentru a susține lemnul.

ÎNTREȚINERE

1. Pentru a preveni accidentele, deconectați întotdeauna fierăstrăul de la sursa de alimentare înainte de curățare sau de a efectua orice intervenție de întreținere; fierăstrăul poate fi curățat cel mai eficient folosind aerul comprimat. Purtați întotdeauna ochelari de protecție atunci când utilizați aerul comprimat. Dacă nu este disponibil aerul comprimat, utilizați o perie pentru a îndepărta praful și așchiile de pe fierăstrău.
2. Orificiile de ventilație ale motorului și mânerul de comutare trebuie să fie păstrate curate și lipsite de obiecte străine. Nu încercați să efectuați curățarea introducând obiecte ascuțite prin deschideri.
3. Nu folosiți niciodată agenți caustici pentru a curăța componentele din plastic. Cum ar fi: benzină, tetraclorură de carbon, solvenți de curățare pe bază de clor, amoniac și detergenți pentru uz casnic care conțin amoniac. Nu folosiți niciuna dintre aceste substanțe pentru a curăța fierăstrăul.
4. Solicitați unui centru de service autorizat să exami-

neze și/sau să înlocuiască periile de carbon uzate în cazul parcării excesive.

5. Lamele se tocesc chiar și atunci când tăiați chereștea obișnuită, un semn clar de lamă tocită fiind necesitatea de a forța fierăstrăul înainte în loc să îl ghidați în timp ce efectuați o tăiere. Duceți lama la un centru de service pentru ascuțire.
6. Păstrați aparatul curat în orice moment.
7. În cazul în care constatați vreo deteriorare, consultați desenul explodat și lista de piese pentru a stabili cu exactitate ce piesă de schimb vă este necesară pentru a fi comandată de la departamentul servicii clienți.
8. Curățați carcasa numai cu o cârpă umedă. Nu folosiți niciun tip de solvent! Uscați complet apoi. Pentru a menține capacitatea bateriei, vă recomandăm ca bateria să fie complet descărcată o dată pe lună și încărcată complet din nou. Nu depozitați cu bateria încărcată complet, ci completați din când în când încărcarea dacă depozitați aparatul o perioadă lungă de timp. Depozitați într-un loc uscat și ferit de îngheț, în care temperatura ambiantă nu trebuie să depășească 40°C.
9. În cazul în care cablul de alimentare al acestui echipament se deteriorează, trebuie înlocuit cu un cablu asemănător disponibil prin intermediul organizației de service sau de la un tehnician autorizat calificat.

ATENȚIE: Nu utilizați agenți de curățare pentru curățarea componentele din plastic ale echipamentului. Se recomandă un detergent ușor pe o cârpă umedă. Apa nu trebuie să intre niciodată în contact cu echipamentul.

Semnificația coșului de gunoi pe roți tăiat:

Nu eliminați aparatul electric drept deșeurii municipale nesortate, folosiți unitățile de colectare diferențiată. Contactați administrația locală pentru informații cu privire la sistemele de colectare disponibile. Dacă aparatul electric este eliminată la depozite sau gropi de deșeurii, substanțele periculoase se pot scurge în apa subterană și pot ajunge în lanțul alimentar, prejudiciind sănătatea și starea dvs. de bine.

GARANȚIE

Acest produs este garantat în conformitate cu reglementările legale / specifice țării, începând cu data cumpărării de către primul utilizator. Danele atribuite uzurii normale, suprasolicitării sau manipulării necorespunzătoare vor fi excluse din garanție. În cazul unei reclamații, vă rugăm să trimiteți mașina, complet asamblată, la dealerul dvs. sau la centrul de service oficial.

Magyar

ÁLTALÁNOS MUNKAVÉDELMI SZABÁLYOK

FIGYELEM: Olvassa el az alábbi összes utasítást. Az itt felsorolt utasítások elolvasásának elmulasztása áramütéshez, tűz keletkezéséhez és/vagy súlyos személyi sérüléshez vezethet. Az utasításokban említett „elektromos kiskép” kifejezés alatt mindenfajta hálózati áramról működtetett (vezetékes) vagy akkumulátorról működtetett (vezeték nélküli), gépi meghajtású szerszám értendő.

A MUNKAVÉDELEM KÖRNYEZETE

- ▶ Tartsa tisztán a munkaterületet, és gondoskodjon annak jó megvilágításáról. A rendetlen, sötét munkaterület kihívja a sérülésveszélyt.
- ▶ Tilos az elektromos kisképeket robbanásveszélyes környezetben, azaz gyúlékony folyadékok, gázok vagy porok jelenlétében működtetni. Az elektromos kisképek szikráznak, amiktől könnyen meggyuladhat a por vagy gáz.
- ▶ Az elektromos kiskép működtetése közben tartsa távol a gyermekeket és bármásokat. A figyelemterelő tényezők hatására a gépkezelő könnyen elveszítheti uralmát a gép fölött.

ELEKTROMOS BIZTONSÁG

- ▶ Az elektromos kiskép csatlakozódugaszának bele kell illesznie a hálózati aljzatba. Tilos a csatlakozódugaszt bármilyen módon átalakítani. A földelt elektromos kisképekhez nem szabad adaptert használni. Az átalakítatlan csatlakozódugaszok és hozzájuk illeszkedő hálózati aljzatok használatakor csökkenhet az áramütésveszély.
- ▶ Kerülje a földelt felületek – pl. csövek, hőszugárzók, tűzhelyek és hűtőszekrények – testi érintését. Az emberi test földelése esetén fokozódik az áramütés kockázata.
- ▶ Tilos az elektromos kisképet eső vagy nedvesség hatásának kitenni. Ha az elektromos kiskép belsejébe víz kerül, az fokozza az áramütés veszélyét.
- ▶ A csatlakozózsínorról nem szabad rosszul bánni. Tilos a gépet a csatlakozózsínóránál fogva vinni vagy húzni, illetve a gépet a zsinór rángatásával leoldani a csatlakozóaljzatról. Óvja a csatlakozózsínort a hőtől, az olajszenyeződéstől, az éles peremektől és a mozgó alkatrészek közelségétől. A sérült vagy összegubancolódott csatlakozózsínor használata fokozza az áramütésveszélyt.
- ▶ Elektromos kisképek kültérben történő üzemeltetéséhez csak kültéri használatra alkalmas kábitószer, kábitószerrel szabaddá használni. A kültéri használatra alkalmas hosszabbított zsinór alkalmazása csökkenti az áramütésveszélyt.

SZEMÉLYI BIZTONSÁG

- ▶ Elektromos kisképek működtetése közben mindig legyen éber, figyeljen oda arra, amit csinál, és használja a józan esztét. Ne használjon elektromos kisképeket, ha fáradt, illetve amikor kábitószer, alkohol vagy gyógyszer hatása alatt áll. Elektromos kisképek üzemeltetésekor egyetlen pillanatnyi figyelmetlenség is súlyos személyi sérüléshez vezethet.

- ▶ Használjon védőfelszereléseket. Kisképek használatakor mindig viseljen védőszemüveget. A megfelelő körülmények között használt védőfelszerelések – úgymint porvédő maszk, csúszásmentes védőlábber, kemény védősisak vagy fülvédő – csökkenti a személyi sérülés kockázatát.
- ▶ Kerülje az elektromos kiskép véletlenszerű beindítását. A hálózathoz történő csatlakoztatás előtt győződjön meg a gép kikapcsolt állapotáról. Ha ujjával a kapcsolón viszi az elektromos kisképet egyik helyről a másikra, vagy a kapcsoló BE állásában csatlakoztatja a hálózati aljzathoz, könnyen balesetet szenvedhet.
- ▶ Mielőtt bekapcsolná az elektromos kisképet, távolítsa el belőle a beállító és csavarkulcsokat. Ha egy csavarkulcs valamelyik forgó alkatrészhez erősítve benne marad az elektromos kisképben, az személyi sérüléshez vezethet.
- ▶ Ne nyúljon túl messzire. Mindig ügyeljen arra, hogy szilárd alapon álljon, és megőrizhesse az egyensúlyát. Ezáltal váratlan helyzetekben könnyebben uralma alatt tarthatja az elektromos kisképet.
- ▶ Viseljen megfelelő ruházatot. Nem szabad bő ruhát vagy ékszereket viselni. Ügyeljen arra, hogy a haja, ruházata és kesztyűje ne kerüljön a mozgó alkatrészek közelébe. A bő ruha, ékszer vagy hosszú haj könnyen beakadhat a mozgó alkatrészek közé.
- ▶ Ha a gép fel van szerelve porleszívó vagy porleválasztó berendezés csatlakoztatására szolgáló csöccsonkkal, gondoskodjon ilyen berendezés csatlakoztatásáról és rendeltetéseszerű használatáról. Az ilyen eszközök használata mérsékeli a porral kapcsolatos veszélyeket.

AZ ELEKTROMOS KISKÉP HASZNÁLATA ÉS KARBANTARTÁSA

- ▶ Ne erőltesse az elektromos kisképet. Mindig a konkrét alkalmazásnak megfelelő elektromos kisképet válassza. A rendeltetéseszerű sebességgel használt és az alkalmazásnak megfelelően kiválasztott elektromos kiskép jobban és biztonságosabban végzi el a munkafeladatot.
- ▶ Nem szabad használni azt az elektromos kisképet, amelyet a kapcsolója nem képes ki- és bekapcsolni. A kapcsolójával nem vezérelhető elektromos kiskép használata veszélyes. Az ilyen kisképet meg kell javíttatni.
- ▶ Mielőtt az elektromos kisképen bármiféle beállításokat végezne, tartozékokat cserélne benne vagy használaton kívül helyezné, húzza ki a gép csatlakozózsínórját a hálózati aljzathoz és/vagy vegye ki az akkumulátoregységet a gépből. Ezek a biztonsági óvintézkedések csökkentik az elektromos kiskép véletlenszerű beindításának kockázatát.
- ▶ A használaton kívüli elektromos kisképeket tartsa gyermekek számára hozzáférhetetlen helyen, és ne engedje olyan személyeknek használni, akik a gépet vagy ezeket az utasításokat nem ismerik. Avatatlan kezében az elektromos kisképek veszélyesek.
- ▶ Gondosan tartsa karban az elektromos kisképeket. Ellenőrizze a mozgó alkatrészek helyzetbeállítását és akadálytalan mozgását; ellenőrizze, hogy nincs-e törött alkatrész; továbbá ellenőrizzen minden olyan körülményt, amely befolyásolhatja az elektromos

kisgép működését. Használatbavétel előtt javítsa meg a sérült elektromos kisgépet. Az elektromos kisgépek elégtelen karbantartása számos balesetet okoz.

- ▶ Tartsa a vágásra szolgáló szerszámokat és gépeket megélezve és tisztán. A megfelelően karbantartott, és vágóélekkel rendelkező vágóberendezések használatakor kisebb a szerszám elakadásának valószínűsége, és könnyebb irányítani a gépet.
- ▶ Az elektromos kisgépet, annak tartozékait és szerszámait mindig a jelen utasításokkal összhangban és az adott géptípus rendeltetésének megfelelő módon használja, figyelembe véve a munkavégzési körülményeket és az elvégzendő munkafeladatot is. Az elektromos kisgép nem rendeltetészerű felhasználása veszélyhelyzetek kialakulását eredményezheti.

JAVÍTÁS

Elektromos kisgépeit mindig szakemberrel, és kizárólag az eredetivel azonos típusú cserealkatrészek felhasználásával javítsa. Ez biztosítja az elektromos kisgépek biztonságos voltának megőrzését.

BIZTONSÁGI ELŐÍRÁSOK KÖRFŰRÉSZEKRE

VÁGÁSI FOLYAMATOK

- ▶ **VESZÉLY:** Tartsa távol a kezeit a vágási területtől és a pengétől. A másik kezével fogja a segédmarkolatot vagy a motorházat. Ha mindkét kézzel a fűrész fogja, nem vághatja meg a penge.
- ▶ Ne nyúljon a munkadarab alá. A védőrész nem tudja Önt megvédeni a munkadarab alatt lévő pengétől.
- ▶ Állítsa a vágásmélységet a munkadarab vastagságához. A pengefogazatból kevesebb mint egy teljes fog látszódjon a munkadarab alatt.
- ▶ Ne tartsa a kezében vagy a lábán keresztbe azt a darabot, amit éppen vág. Rögzítse a munkadarabot stabil felületre. Fontos a munka megfelelő támogatása a test kitettségeinek, a penge hajlásának vagy a kontrollvesztés minimalizálása érdekében.
- ▶ A gépet csak a szigetelt felületeknél fogja, amikor műveletet hajt végre, mert a gép rejtett vezetékhez vagy a saját zsinórjához érhet. Ha a kitett fémrészek áram alatt lévő vezetékkel érintkeznek, maguk is áram alá kerülhetnek, és áramütést okozhatnak a kezelőnél.
- ▶ Amikor vág, mindig használjon hasítókerítést vagy egyenes pengevezetőt. Ez növeli a vágás pontosságát és csökkenti a penge elhajlásának veszélyét.
- ▶ Mindig a megfelelő méretű és formájú pengét használja (gyémánt vs. kerek) a munkalukakhoz. A pengék, amik nem illeszkednek a fűrész szerelési hardveréhez, kiugorhatnak, és kontrollvesztést okozhatnak.
- ▶ Soha se használjon rongálódott vagy nem megfelelő pengemოსót vagy csavart. A pengemოსók és csavarok speciálisan lettek a fűrészéhez tervezve az optimális teljesítményért és biztonságos működtetésért.
- ▶ Hátrarúgás és vonatkozó figyelmeztetések
 - A hátrarúgás hirtelen reakció arra, ha a penge

becsípődik, beragad vagy kisiklik, ami miatt a kontrollálatlan fűrész felemelkedhet és kiugorhat a munkadarabból és a kezelő felé repülhet;

- Amikor a penge becsípődik vagy szorosan beragad a bevágásnál lezárva, a penge elakad, és a motor reakciója a gépet gyorsan a kezelő felé repítheti;
- Ha a penge megcsavarodik vagy félresiklik a vágatban, a penge hátsó élén lévő fogak belevághatnak a fa felső felszínébe, ami miatt a penge kiugorhat a vágatból, és a kezelő felé repülhet. A hátrarúgás a fűrész helytelen használatának következménye, ami elkerülhető a lenti óvintézkedések megfelelő betartásával.
- ▶ Szorosan markolja meg mindkét kezével a fűrész, és helyezze úgy a karjait, hogy ellenálljanak a hátrarúgó erőnek. A testét a penge egyik oldalára helyezze, de ne a penge vonalába. A hátrarúgás azt okozhatja, hogy a fűrész hátraugrik, de a hátrarúgó erőt uralhatja a kezelő, ha megfelelő óvintézkedéseket tesz.
- ▶ Ha a penge elakad, vagy amikor valamilyen okból megszakítja a vágást, engedje el a kioldó kapcsolót, és tartsa a fűrész mozdatlanul az anyagban, amíg a penge teljesen le nem áll. Soha ne kísérelje meg eltávolítani a fűrész a munkadarabból, vagy hátrahúzni azt, amíg a penge mozog vagy hátrarúgás veszélye áll fenn. Vizsgálja meg és korrigálja, hogy megszüntesse a penge elakadásának okait.
- ▶ Amikor újraindítja a fűrész a munkadarabban, központosza a fűrészpengét a bevágásba, és ellenőrizze, hogy a fűrészfogak nem akadtak el az anyagban. Ha elakadt a penge, kiugorhat vagy hátrarúghat, amikor újraindítjuk.
- ▶ Támassa alá a nagy paneleket, hogy minimalizálja a penge becsípődésének vagy a hátrarúgásnak a kockázatát. A nagy panelek meg szoktak ereszkedni a saját súlyuk alatt. Az alátámasztás mindkét oldalra kell a panel alá, a vágásvonalhoz közel, és a panel széléhez is közel.
- ▶ Ne használjon tompa vagy sérült pengéket. Az élethen vagy nem megfelelően beállított pengék szűk bevágást eredményezhetnek, ami túlzott súrlódást, pengeelakadást és hátrarúgást okozhat.
- ▶ A pengemélység és a szögbeállítás záró karok szorosan és biztonságosan kell, hogy rögzítve legyenek a vágás megkezdése előtt. Ha a penge beállítása elmozdul vágás közben, elakadhat vagy hátrarúghat.
- ▶ Különös óvatossággal járjon el, amikor meglévő falakba vagy más vak területekbe vág. A behatoló penge olyan tárgyakat vághat meg, amik hátrarúgást okozhatnak.

ALACSONYABB VÉDELEM FUNKCIÓ

- ▶ Ellenőrizze minden használat előtt, hogy az alacsonyabb védelem megfelelően zár-e. Ne használja a fűrész, ha az alacsonyabb védelem nem mozog szabadon vagy nem zár azonnal. Ne rögzítse soha az alacsonyabb védelmet nyitott pozícióba. Ha véletlenül elejtja a fűrész, az alacsonyabb védelem meghajolhat. Emelje meg az alacsonyabb védelmet a visszahúzódó markolattal, és győződjön meg arról, hogy szabadon mozog, és nem érinti a pengét vagy más részt, minden szögben és vágási mélységben.

- ▶ Ellenőrizze az alacsonyabb védelem rugójának működését. Ha a védelem és a rugó nem működnek megfelelően, használat előtt meg kell javítani. Az alacsonyabb védelem lassan működhet a sérült alkatrészek, gumitartalmú letétek vagy a felhalmozódott törmelék miatt.
- ▶ Az alacsonyabb védelem visszahúzható manuálisan, speciális vágásokhoz (pl. zuhanóvágás és szögben vágás). Emelje meg az alacsonyabb védelmet a markolat visszahúzásával, és amint a penge belép az anyagba, engedje el az alacsonyabb védelmet. Minden más fűrészelési művelethez az alacsonyabb védelemnek automatikusan kell működnie.
- ▶ Mindig nézze meg, hogy az alacsonyabb védelem fedi-e a pengét, mielőtt a fűrészlet teszi egy padra vagy a padlóra. Egy védtelen, elszabaduló penge hátrárugást okozhat, elvágva mindent, ami az útjába kerül. Ne feledje, hogy a pengének időre van szüksége a leálláshoz, miután kikapcsolta.

TECHNIKAI SPECIFIKÁCIÓ:

Cikkszám	41 343	
Modell	CS 55/1200 PLUS	
Feszültség/frekvencia	V/Hz	220-240/50
Teljesítmény	W	1.200
Üresjárati sebesség	min ⁻¹	5.500
Pengeméret	mm	Ø165
Max. vágásmélység 90°-nál	mm	55
Max. vágásmélység 45°-nál	mm	36
Tömeg kb. (alkatrészek nélkül)	kg	3,5
Védettségi osztály	□/II	
Hangkibocsátási értékek, amelyeket az EN 60745-1, EN 60745-2-5 határoz meg		
A termék tipikus A súlyú zajszintjei:		
Hangnyomásszint	dB(A)	92,7
Hangerőszint	dB(A)	103,7
K bizonytalanság	dB	3
Hordjon fülvédőt!		
Rezgési összérték ah (háromtagú vektorösszeg) és K bizonytalanság, amelyeket az EN 60745-1, EN 60745-2-5 határoz meg		
Rezgési összértékek:		
a _h	m/s ²	4,75
K	m/s ²	1,5

Funkcionális leírás:

1. Lentvédő kar
2. Porelszívó kimenet
3. Fűrészpenge
4. Bekapcsolt állapotjelző
5. Segédmarkolat

6. Szénkefepedél
7. Szögátváltás
8. Zárógomb szögbeállításhoz
9. Zárógomb szélvezetéshez
10. Alaplemez
11. Szélvezető
12. Külső karima
13. Pengesatucsavar
14. Lentvédő
15. Orsózárgomb
16. Kioldó kapcsoló
17. Zárógomb
18. Főmarkolat
19. Mélységmérő
20. Zárókar mélységmérőhöz

ÖSSZESZERELÉS

Fontos: Összeszerelés és átállítás előtt mindig áramtalanítsa a gépet.

Pengecseré (3, 4)

Figyelem: mindig áramtalanítson, mielőtt beállításokat és alkatrészcsereket eszközölné. Na használjon csiszolókerekeket.

1. Helyezze a körfűrész az oldalára egy sík helyen. Javasoljuk, hogy hozzon alaplemezt, mintha a minimális vágásmélység, amit könnyebb működtetni.
2. Nyomja le az orsózárgombot **15** a motorház felé, amint a nyíl mutatja a 3. ábrán, és szorosan tartsa.
3. Fordítsa a pengesatucsavart **13** az óra járásával ellentétes irányba az Allen kulcs használatával, ami a termék tartozéka.
4. Távolítsa el a pengesatucsavart és a külső karimát **12**.
5. Emelje az lentvédőt **14** a karral **1**, majd távolítsa el a fűrészpengét.
6. Tisztítsa le a fűrészpenge széleit, majd szerelje az új pengét a külső orsóra és a belső karimára.
7. Ellenőrizze, hogy a pengefogak és a nyílak a pengén ugyanabba az irányba állnak, mint a nyíl a lentvédőn.
8. Újra helyezze el a külső karimát, majd szorítsa meg a pengesatucsavart.
9. Ellenőrizze, hogy a penge szabadon mozog-e általán, hogy kézzel elfordítja a pengét.

Mélység beállítása (5)

1. Lazítsa meg a zárókart a mélység beállításához (20).
2. Tartsa az alaplemezt síkban a munkadarab széléhez, és emelje fel a fűrészlet addig, amíg a penge a megfelelő mélységbe nem kerül a mélységmérő által meghatározva (19) (igazítsa a skálavonalat).
3. Szorítsa meg a zárókart a mélység beállításához.

Szögbeállítás (6)

1. Lazítsa meg a zárógombot a szögbeállításhoz (8).
2. Igazítsa a cipőt a kívánt szögbe 0° és 45° között (lásd. szögmérő 7).
3. Szorítsa meg a zárógombot a szögbeállításhoz.

Ki- és bekapcsolás (7)

A kioldó kapcsoló lenyomása előtt ellenőrizze,

hogy a penge megfelelően van-e felerősítve, és akadálytalanul mozog-e, a pengesatucsavar jól rögzült-e.

1. Csatlakoztassa a dugót a tápegységre, így a bekapcsoltállapot-jelző (4) világít addig, amíg a gépet le nem csatlakoztatják a központi hálózatról.
2. A körfűrész bekapcsolásához nyomja meg a zárógombot (17), majd nyomja meg a kioldó kapcsolót (16).
3. Amikor kiengedi a kioldó kapcsolót (16), a gép kikapcsol.

Párhuzamos vágás beállítása (8)

1. Lazítsa ki a szélvezető zárógombját (9).
2. Csúsztassa a szélvezetőt (11) a foglalatokon keresztül a cipőbe a kívánt szélességre.
3. Szorítsa a zárócsavart, hogy biztosítsa a pozíciót.
4. Biztosítsa, hogy a szélvezető nyugodjon a fán a teljes hossza mentén, hogy konzisztens párhuzamos vágásokat adjon.

Szénkefék cseréje (9)

Biztonsági okokból a gép automatikusan kikapcsol, ha a szénkefék annyira elhasználódnak, hogy már nincs kontaktusuk a motorral. Ebben az esetben a szénkefákat cserélni kell egy pár hasonlóra, amely elérhető a kereskedőinknél vagy képesítéssel rendelkező szakembereknél. Lazítsa ki a szénkefe fedelét az óra járásával ellenkező irányba egy csavarhúzóval, nyissa ki a fedelet, és távolítsa el a szénkefákat. Ha 6 mm-esek vagy kisebbek, mindkettőt ki kell cserélni. Helyezzen be új szénkefákat és cserélje a kefeházat.

FIGYELEM: A kefeket mindig párban kell cserélni.

FIGYELEM: Mindig áramtalanítsa a gépet, mielőtt eltávolít valamilyen elektromos fedelet.

MŰKÖDTETÉS

Általános vágás

1. Amikor elkezd, mindig tartsa az egyik kezében a fűrészmarkolatot, a másik kezében pedig a segédmarkolatot (5). Soha se erőltesse a fűrész, de tartszon egy könnyű és folyamatos nyomást. Miután befejezte a vágást, engedje, hogy a fűrész teljesen leálljon. Ha félbeszakad a vágás, úgy folytassa, hogy engedje, hogy a penge elérje a teljes sebességet, és utána tegye be újra lassan a vágatba.
2. Ha szemcsén vág át, a fa szálai megemelkedhetnek és eltörhetnek, ha mozgatja a fűrész, minimalizálhatja ezt a hatást.

Zsebvágás

1. Áramtalanítsa, mielőtt bármilyen beállítást végezne. Állítsa a mélységbeállítót, ami a felrajzolt vágásvonal vastagságán alapszik. Emelje meg a lentívédőt az emelőkarral.
2. Tegye a pengét keféssel a vágandó anyag fölé, indítsa el a fűrész, és engedje a pengét, hogy teljes sebességre pörögjön. Fokozatosan engedje rá a pengét az anyagra úgy, hogy a cipő elülső végét forgáspontként használja. Amikor a

penge vágni kezd, engedje el a lentívédőt. Ha a cipő síkban fekszik a vágandó felület felszínén, folytassa vágást előre irányban a vágás végéig. Hagyja, hogy a penge teljesen leálljon, mielőtt eltávolítja a vágatból. Soha se húzza a fűrész hátrafelé, mert a penge kiugorhat a vágatból, és hátrarúgás léphet fel. Fordítsa körbe a fűrész, és fejezze be a vágást normál módszerrel, előre irányba fűrészelve. Használjon dekopirfűrész vagy kézi fűrész a vágás befejezéséhez a sarkoknál, ha szükséges.

Nagy lapok vágása

1. A nagy lapok és deszkák alátámasztást igényelnek, hogy megelőzzük a meghajlásokat és a megereszkedéseket. Ha színtezés és alátámasztás nélkül kísérrel meg vágni, a penge elakadhat, és ez hátrarúgást okozhat.
2. Támassza alá a panelt vagy deszkát a vágathoz közel. Ellenőrizze, hogy a penge megfelelően lett-e beállítva, hogy úgy vágja át az anyagot, hogy ne vágjon bele az asztalba vagy a munkapadba. Javaslat: használjon 2 a 4-hez, hogy alátámassza a deszkát vagy panelt, amit vágni akar. Ha a darab túl nagy a munkapadhoz, használja a padlót a 2 a 4-hoz a fa alátámasztására.

KARBANTARTÁS

1. A balesetek megelőzése érdekében mindig húzza ki a dugót a falból, mielőtt tisztáná vagy karbantartaná a fűrész. A tisztítást leggyakrabban sűrített levegővel lehet elvégezni. Mindig viseljen védőszemüveget, amikor sűrített levegőt használ. Ha nincs sűrített levegő, kefével távolítsa el a port és a törmelékét a fűrészről.
2. A motor szellőztető nyílásokat és kapcsolókarokat tisztán és idegen anyagtól mentesen kell tartani. Ne tisztítson úgy, hogy hegyes tárgyat dug a résekbe.
3. Soha ne használjon éghető anyagokat (pl. gáz, széntetraklorid, klórozott tisztítószerek, ammónia és ammónia tartalmú háztartási tisztítószerek) a műanyag alkatrészek és a fűrész tisztításához.
4. Ha túl sokáig van a gép használaton kívül, felhatalmazott szerviz vizsgálja be és/vagy cserélje ki az elhasznált szénkefákat.
5. A pengék eltoppannak, akkor is, ha hagyományos fűrészrútrútról vágunk. A topulás biztos jele, ha erőltetni kell a fűrész előre, ahelyett, hogy vágás közben finoman vezetnénk. Vigye el a pengét a szervizközpontba élesítésre.
6. Tartsa mindig tisztán a gépet!
7. Ha bármilyen károsodást fedez fel, nézze meg a robbantott ábrát és az alkatrészlistát, hogy eldönthesse, mely alkatrészt kell megrendelnie az ügyfélszolgálati részlegünkről.
8. A házat csak nedves ruhával tisztítsa. Ne használjon semmilyen oldószert! Utána alaposan szárítsa! Az akkumulátor kapacitásának fenntartása érdekében javasoljuk, hogy minden hónapban teljesen merítse le, majd töltsen teljesen fel azt. Csak teljesen feltöltött akkumulátorral tárolja a gépet, és időről időre töltsen fel teljesen, ha hosszabb ideig tárolja. Száraz és fagymentes he-

lyen tárolja, a környezet hőmérséklete ne haladja meg a 40°C-t.

9. Ha a gép tápkábele megsérül, olyan hasonlóra kell cserélni, ami elérhető a szervízen vagy egy felhatalmazott technikuson keresztül.

FIGYELEM: Ne használjon tisztítószereket a gép műanyag alkatrészeinek tisztításához. Egy enyhé mosószeres nedves ruha használata javasolt. A gép sohasem érintkezhet vízzel.

A keresztezett, kerek szemetesekuka jelentése

Az elektromos készülékeket ne kezelje ömlesztett kommunális hulladékként, hanem szelektíven gyűjtse.

A gyűjtéssel kapcsolatos információkért keresse a helyi önkormányzatot. Ha hulladéklerakóba vagy szemétkupacba kerülnek, a veszélyes anyagok a talajvízbe szivároghatnak, és bekerülhetnek a táplálékláncba, amivel az egészséget és a jóllétet is károsíthatják.

GARANCIA

Ez a termék az első felhasználó vásárlásának napjától hatályos törvényi / országspecifikus előírásoknak megfelelően szavatolható. A normál kopásnak, túlterhelésnek vagy a szakszerűtlen kezelésnek tulajdonítható károk nem tartoznak a garancia hatálya alá. Igény esetén küldje el a gépet teljesen összeszerelve a kereskedőhöz vagy a hivatalos szervízhez.

Български

ОБЩИ УКАЗАНИЯ ЗА БЕЗОПАСНА РАБОТА

Прочетете внимателно всички указания. Неспазването на приведените по-долу указания може да доведе до токов удар, пожар и/или тежки травми.

Съхранявайте тези указания на сигурно място. Използваният по-долу термин «електроинструмент» се отнася до захранвани от електрическа мрежа електроинструменти (със захранващ кабел) и до захранвани от акумулаторна батерия електроинструменти (без захранващ кабел).

Безопасност на работното място

- ▶ Поддържайте работното си място чисто и добре осветено. Безпорядъкът и недостатъчното осветление могат да спомогнат за възникването на трудова злополука.
- ▶ Не работете с електроинструмента в среда с повишена опасност от възникване на експлозия, в близост до леснозапалими течности, газове или прахообразни материали. По време на работа в електроинструментите се отделят искри, които могат да възпламяват прахообразни материали или пари.
- ▶ Дръжте деца и странични лица на безопасно разстояние, докато работите с електроинструмента. Ако вниманието Ви бъде отклонено, може да загубите контрола над електроинструмента.

Безопасност при работа с електрически ток

- ▶ Щепселът на електроинструмента трябва да е подходящ за ползвания контакт. В никакъв случай не се допуска изменение на конструкцията на щепсела. Когато работите със занулени електроуреди, не използвайте адаптери за щепсела. Ползването на оригинални щепсели и контакти намалява риска от възникване на токов удар.
- ▶ Еизбягвайте допира на тялото Ви до заземени тела, напр. тръби, отоплителни уреди, пещи и хладилници. Когато тялото Ви е заземено, рискът от възникване на токов удар е по-голям.
- ▶ Предпазвайте електроинструмента си от дъжд и влага. Проникването на вода в електроинструмента повишава опасността от токов удар.
- ▶ Не използвайте захранващия кабел за цели, за които той не е предвиден, напр. за да носите електроинструмента за кабела или да извадите щепсела от контакта. Предпазвайте кабела от нагряване, омасляване, допир до остри ръбове или до подвижни звена на машини. Повредени или усукани кабели увеличават риска от възникване на токов удар.
- ▶ Когато работите с електроинструмент навън, използвайте само удължителни кабели, подходящи за работа на открито. Използването на удължител, предназначен за работа на открито, намалява риска от възникване на токов удар.
- ▶ Ако се налага използването на електроинструмента във влажна среда, използвайте предпазен прекъсвач за утечни токове. Използването на предпазен прекъсвач за утечни токове намалява опасността от възникване на токов удар.

Безопасен начин на работа

- ▶ Бъдете концентрирани, следете внимателно действията си и постъпвайте предпазливо и разумно. Не използвайте електроинструмента, когато сте уморени или под влиянието на наркотични вещества, алкохол или упойващи лекарства. Един миг разсеяност при работа с електроинструмент може да има за последиствие изключително тежки наранявания.
- ▶ Работете с предпазващо работно облекло и винаги с предпазни очила. Носенето на подходящи за ползвания електроинструмент и извършваната дейност лични предпазни средства, като дихателна маска, здрави плътнотазовени обувки със стабилен грайфер, защитна каска или шумозаглушители (антифони), намалява риска от възникване на трудова злополука.
- ▶ Избягвайте опасността от включване на електроинструмента по невнимание. Преди да включите щепсела в захранващата мрежа или да поставите акумулаторната батерия, се уверявайте, че пусковият прекъсвач е в положение «изключено». Ако, когато носите електроинструмента, държите пръста си върху пусковия прекъсвач, или ако подавате захранващо напрежение на електроинструмента, когато е включен, съществува опасност от възникване на трудова злополука.
- ▶ Преди да включите електроинструмента, се уверявайте, че сте отстранили от него всички помощни инструменти и гаечни ключове. Помощен инструмент, забравен на въртящо се звено, може да причини травми.
- ▶ Избягвайте неестествените положения на тялото. Работете в стабилно положение на тялото и във всеки момент поддържайте равновесие. Така ще можете да контролирате електроинструмента по-добре и побезопасно, ако възникне неочаквана ситуация.
- ▶ Работете с подходящо облекло. Не работете с широките дрехи или украшения. Дръжте косата си, дрехите и ръкавици на безопасно разстояние от въртящи се звена на електроинструментите. Широките дрехи, украшенията, дългите коси могат да бъдат захванати и увлечени от въртящи се звена.
- ▶ Ако е възможно използването на външна аспирационна система, се уверявайте, че тя е включена и функционира изправно. Използването на аспирационна система намалява рисковете, дължащи се на отделящата се при работа прах.

Грижливо отношение към електроинструментите

- ▶ Не претоварвайте електроинструмента. Използвайте електроинструментите само съобразно тяхното предназначение. Ще работите по-добре и по-безопасно, когато използвате подходящия електроинструмент в зададения от производителя диапазон на натоварване.
- ▶ Не използвайте електроинструмент, чиито пусков прекъсвач е повреден. Електроинструмент, който не може да бъде изключван и включван по предвидения от производителя начин, е опасен и трябва да бъде ремонтиран.
- ▶ Преди да промените настройките на електроинструмента, да замените работни инструменти и допълнителни приспособления, както и когато

продължително време няма да използвате електроинструмента, изключвайте щепсела от захранващата мрежа и/или изваждайте акумулаторната батерия. Тази мярка премахва опасността от задействане на електроинструмента по невнимание.

- ▶ Съхранявайте електроинструментите на места, където не могат да бъдат достигнати от деца. Не допускайте те да бъдат използвани от лица, които не са запознати с начина на работа с тях, и не са прочели тези инструкции. Когато са в ръцете на неопитни потребители, електроинструментите могат да бъдат изключително опасни.
- ▶ Поддържайте електроинструментите си грижливо. Проверявайте дали подвижните звена функционират безукорно, дали не заклинват, дали има счупени или повредени детайли, които нарушават или изменят функциите на електроинструмента. Преди да използвате електроинструмента, се погрижете повредените детайли да бъдат ремонтирани. Много от трудовете злополуки се дължат на недобре поддържани електроинструменти и уреди.
- ▶ Поддържайте режещите инструменти винаги добре заточени и чисти. Добре поддържаните режещи инструменти с остри ръбове оказват по-малко съпротивление и се водят по-леко.
- ▶ Използвайте електроинструментите, допълнителните приспособления, работните инструменти и т.н., съобразно инструкциите на производителя. При това се съобразявайте и с конкретните работни условия и операции, които трябва да изпълните. Използването на електроинструменти за различни от предвидените от производителя приложения повишава опасността от възникване на трудова злополука.

Поддържане

Допускайте ремонтът на електроинструментите Ви да се извършва само от квалифицирани специалисти и само с използването на оригинални резервни части. По този начин се гарантира съхраняване на безопасността на електроинструмента.

УКАЗАНИЯ ЗА БЕЗОПАСНА РАБОТА С ЦИРКУЛЯРИ

Техника на рязане

- ▶ **ОПАСНОСТ:** дръжте ръцете си на разстояние от зоната на рязане и от циркулярния диск. С втората си ръка дръжте спомагателната ръкохватка или корпуса на електродвигателя. Когато държите циркуляра с двете си ръце, няма опасност да ги нараните с режещия диск.
- ▶ Не поставяйте ръцете си под детайла. Предпазният кожух не може да Ви защити в зоната под обработвания детайл.
- ▶ Регулирайте дълбочината на рязане съобразно дебелината на стената на обработвания детайл. От обратната страна на детайла дискът трябва да се подава на разстояние, по-малко от една височина на зъба.
- ▶ Никога не дръжте разрязвания детайл на ръка или притиснат към крака си. Осигурявайте детайла, като го захващате в стабилно приспособление. За да ограничите опасността от влизане в съприкосновение с тялото, заклиняване на режещия диск

или загуба на контрол над електроинструмента, е важно да застопорите обработвания детайл добре.

- ▶ Когато съществува опасност по време на работа работният инструмент да засегне скрити под повърхността проводници под напрежение или захранващия кабел, допирайте електроинструмента само до изолираните ръкохватки. При контакт с проводник под напрежение то се предава по металните елементи на електроинструмента, което води до токов удар.
- ▶ При надлъжно разрязване винаги използвайте опора или прав направляващ ръб. Режещи дискове, които не пасват точно на монтажните елементи на електроинструмента, при имат биене и могат да доведат до загуба на контрол над електроинструмента.
- ▶ Използвайте винаги циркулярни дискове, които са с посочените размери и подходящ присъединителен отвор (напр. ромбоиден или кръгъл). Циркулярни дискове, които не пасват на монтажните елементи на циркуляра, по време на работа бият и водят до загуба на контрол над електроинструмента.
- ▶ Никога не използвайте повредени или неподходящи подложни шайби или винтове за режещия диск. Подложните шайби и винтовете са проектирани специално за Вашия циркуляр и осигуряват оптимални производителност и сигурност при работа.
- ▶ Откат – причини за възникване и мерки за предотвратяване
 - Откатът е внезапна реакция вследствие на закъчане, закланване или неправилно ориентиране на работния инструмент, което води до неконтролируемо отскачане на триона в посока от разрязвания детайл към работещия с електроинструмента;
 - ако циркулярният диск се закачи или заклани в затварящата се междината на среза, той се блокира внезапно, а инерцията на електродвигателя оттласква циркуляра по посока на работещия с електроинструмента;
 - ако циркулярният диск бъде усукан или насочен неправилно в междината на среза, зъби от задния ръб могат да се закачат в повърхността на разрязвания детайл, вследствие на което циркулярният диск отскача от междината на среза по посока работещия с електроинструмента. Откатът възниква като резултат от неправилното боравене с електроинструмента. Това може да бъде избегнато чрез взимането на подходящи предпазни мерки, както е описано по-долу.
- ▶ Дръжте циркуляра здраво с двете ръце и заемайте положение, при което ръцете Ви са насочени да противодействат на евентуално възникнал откат. Тялото Ви трябва да е разположено странично на равнината на въртене на диска, никога не поставяйте режещия диск в една равнина с тялото си. При възникване на откат циркулярът може да отскочи назад, но при взимане на подходящи предпазни мерки работещият с него може да овладее отката.
- ▶ Ако режещият диск се заклани или прекъснете работата, изключете ръчния циркуляр и го задръжте неподвижен в междината, докато режещият диск спре да се върти. Не се опитвайте да извадите ръчния циркуляр от детайла или да го издърпате назад, докато дискът се върти, в противен случай

може да възникне откат. Открийте и отстранете причината за закланването на режещия диск.

- ▶ Ако искате да включите циркуляра, докато той е в детайла, центрирайте режещия диск в междината и предварително се уверете, че зъбите не допират до детайла. Ако режещият диск се заклани, при включване на циркуляра той може да изскочи от детайла или да предизвика откат.
- ▶ Когато разрязвате големи плочи, ги подпирайте, за да намалите опасността от закланване на режещия диск. Големи плочи могат да се огънат под действие на силата на собствената си тежест. Плочите трябва да бъдат подпирани и от двете страни, както в близост до среза, така и в отдалечените им краища.
- ▶ Не използвайте затъпени или повредени режещи дискове. Когато дисковете са затъпени или обърнати в неправилната посока, разрязваната междина е тясна, поради което силно се увеличават триенето, както и опасността от закланване и откат.
- ▶ Преди да започнете разрязването, се уверете, че механизмите за регулиране на дълбочината и наклона на разрязване са затегнати здраво. Ако по време на рязане под действие на възникващите сили настройките се променят, това може да доведе до закланване и откат на електроинструмента.
- ▶ Бъдете особено предпазливи при разрязване в съществуващи стени или други елементи, под чиято повърхност може да има скрити чужди тела. Врязващият се циркулярен диск може да попадне на скрит обект, да блокира и да предизвика откат.

Функция на долния предпазен кожух

- ▶ Винаги преди започване на работа се уверявайте, че долният предпазен кожух се затваря безпроблемно. Не използвайте циркуляра, ако долният предпазен кожух не може да се движи свободно и не се затваря веднага. Никога не захващайте или завързвайте долния предпазен кожух в отворена позиция. Ако циркулярът падне на земята, долният предпазен кожух може да се огъне. Отворете предпазния кожух с лоста за изтегляне назад и се уверете, че кожухът може да се движи свободно, както и че не допира до други детайли при всички възможни наклони и дълбочини на среза.
- ▶ Проверявайте функционирането на пружината за долния предпазен кожух. Ако долният кожух и пружината не работят правилно, преди бъде използван, електроинструментът трябва да бъде ремонтиран. Повредени детайли, полепвания на замърсявания или натрупване на стружки предизвикват забавяне на движението на долния предпазен кожух.
- ▶ Отваряйте ръчно долния предпазен кожух само при изпълняване на специални срезове, напр. «Разрязване с пробиване и под ъгъл». Отворете долния предпазен кожух с издърпващия се назад лост и го отпуснете, когато циркулярният диск се вреже в детайла. При всички други видове срезове долният предпазен кожух трябва да работи автоматично.
- ▶ Не оставяйте циркуляра на работния плот или на земята, без преди това долният предпазен кожух да е покрил режещия диск. Незащитен въртящ се по инерция режещ диск ще премести циркуляра в посока, обратна на посоката на рязане, и ще разреже намиращи се на пътя му предмети. Съобразявайте се с времето за въртене по инерция на диска.

ТЕХНИЧЕСКА СПЕЦИФИКАЦИЯ:

Артикул №	41 343	
Модел	CS 55/1200 PLUS	
Напрежение/честота	V/Hz	220-240/50
Мощностен рейтинг	W	1.200
Скорост без натоварване	min ⁻¹	5.500
Размер на острието	mm	Ø165
Макс. дълбочина на рязане при 90°	mm	55
Макс. дълбочина на рязане при 45°	mm	36
Тегло (без аксесоари) при бл	kg	3,5

Клас на защита  II

Стойностите на излъчвания шум са определени съгласно EN 60745-1, EN 60745-2-5

Равнището А на излъчвания шум обикновено е

Равнище на звуковото налягане	dB(A)	92,7
Мощност на звука	dB(A)	103,7
Неопределеност К	dB	3

Работете с шумозаглушители!

Пълната стойност на вибрациите a_h (векторната сума по трите направления) и неопределеността К са определени съгласно EN 60745-1, EN 60745-2-5

Пълната стойност на вибрациите:

a _h	m/s ²	4,75
К	m/s ²	1,5

Функционално описание:

1. Лост на долната преграда
2. Изход за изкарване на прах
3. Диск на циркуляра
4. Индикатор за захранване
5. Спомагателна дръжка
6. Капаче на графитните четки
7. Регулатор на ъгъла
8. Копче за фиксиране за регулиране на ъгъла
9. Копче за фиксиране за ъглов водач
10. Основа
11. Ъглов водач
12. Външен фланец
13. Захващач болт на острието
14. Долна преграда
15. Бутон за фиксиране на шпиндела
16. Ключ за ВКЛ/ИЗКЛ.
17. Бутон за отключване
18. Главна дръжка
19. Индикатор за дълбочина
20. Лост за фиксиране за регулиране на дълбочината

СГЛОБЯВАНЕ

Важно: Преди всяко сглобяване и регулиране винаги изваждайте щепсела на инструмента от контакта.

Смяна на острието (3, 4)

Предупреждение: Винаги изваждайте щепсела от източника на захранване преди извършване на регулиране или закрепване на аксесоари. Не използвайте шлифовъчни кръгове.

1. Поставете циркуляра странично върху плоска повърхност. Препоръчително е да поставите основата отдолу като минимална дълбочина на рязане – така употребата ще е лесна.
2. Натиснете бутона за фиксиране на шпиндела **15** към корпуса на мотора, както показва стрелката на Фиг. 3, и го задръжте.
3. Завъртете захващачия болт на острието **13** обратно на часовниковата стрелка, като използвате шестограмния ключ, доставен с инструмента.
4. Свалете захващачия болт на острието и външния фланец **12**.
5. Повдигнете долната преграда **14**, като използвате лоста за долната преграда **1**, и след това свалете диска на циркуляра.
6. Почистете фланците на диска на циркуляра, след което монтирайте новия диск в изходния шпиндел, като го поставите към вътрешния фланец.
7. Уверете се, че режещите зъби и стрелката върху диска сочат в същата посока като стрелката върху долната преграда.
8. Монтирайте обратно външния фланец и затегнете захващачия болт на острието.
9. Уверете се, че дискът на циркуляра се движи свободно, като завъртите диска ръчно.

Регулиране на дълбочината (5)

1. Разхлабете лоста за фиксиране за регулиране на дълбочината **20**.
2. Задръжте основата хоризонтално спрямо ръба на детайла и повдигнете тялото на циркуляра, докато острието не достигне правилната дълбочина, определена от индикатора за дълбочина **19** (приравнете линията на скалата).
3. Затегнете лоста за фиксиране за регулиране на дълбочината.

Регулиране на ъгъла (6)

1. Разхлабете копчето за фиксиране за регулиране на ъгъла **8**.
2. Регулирайте челюстта до желания ъгъл между 0° и 45°. [Вижте „Регулатор на ъгъла“ **7**].
3. Затегнете копчето за фиксиране за регулиране на ъгъла.

Включване и изключване (7)

Преди да използвате ключа за ВКЛ./ИЗКЛ., проверете дали дискът на циркуляра е правилно поставен и дали се движи плавно, както и дали захващачият винт на острието е добре затегнат.

1. Свържете щепсела към захранването – индикаторът за захранване **4** свети, докато връз-

ката на инструмента с електрозахранващата мрежа не бъде прекъсната.

2. За да включите циркуляра, натиснете бутона за отключване **17** и задействайте ключа за ВКЛ./ИЗКЛ. **16**.
3. Когато освободите ключа **16**, уредът се изключва.

Регулиране на паралелно рязане (8)

1. Разхлабете копчето за фиксиране на ъгловия водач **9**.
2. Плъзнете ъгловия водач **11** през отворите в челността до постигане на желаната ширина.
3. Затегнете фиксиращия болт, за да го закрепите на място.
4. Уверете се, че ъгловият водач лежи върху дървената повърхност по цялата си дължина, за да гарантирате консистентни паралелни срезове.

Смяна на графитните четки (9)

Поради съображения за безопасност машината се изключва автоматично, ако графитните четки са износени до толкова, че вече да не могат да влизат в контакт с мотора. В такъв случай графитните четки трябва да се сменят с чифт подобни графитни четки, предлагани от фирмата за следпродажбен сервиз или квалифициран експерт. Разхлабете капачето на графитните четки обратно на часовниковата стрелка с помощта на отвертка, отворете капачето и извадете графитните четки.

Ако размерът им е равен на или под 6 мм, трябва да се смени целият чифт. Поставете новите графитни четки и сменете корпуса на четките.

ВНИМАНИЕ: Четките трябва винаги да се сменят на чифтове.

ВНИМАНИЕ: Винаги прекъсвайте връзката на машината с електрозахранването преди сваляне на електрически капаци.

РАБОТА

Общи процедури по рязане

1. При стартиране винаги дръжте циркуляра с една ръка за дръжката, а с другата ръка дръжте спомагателната дръжка **5**. Никога не форсирайте циркуляра, а поддържайте лек и постоянен натиск след завършване на среза, така че циркулярът да спре напълно. Когато рязането се прекъсне, възобновете го, като оставите острието да достигне пълна скорост, след което повторно го вкарайте бавно в среза.
2. При напречно рязане дървесните влакна може да се повдигнат и разкъсат – ето защо придвижвайте циркуляра бавно, за да сведете тези ефекти до минимум.

Рязане на джоб

1. Извадете щепсела от електрозахранването преди извършване на регулиране. Задайте регулирането на дълбочината въз основа на дебелината на линията за срез. Повдигнете долната преграда, като използвате лоста за повдигане.

2. Като държите острието почти в контакт с материала за рязане, стартирайте циркуляра и оставете острието да достигне пълна скорост. Постепенно снижете острието към материала за рязане, като използвате предния край на челността като точка за завъртане. Когато острието започне да реже, освободете долната преграда. Когато челността е легнала добре върху повърхността, която ще се реже, продължете да режете в права посока до края на среза. Оставете острието да спре напълно, преди да го извадите от среза. Никога не изтегляйте назад циркуляра, тъй като острието ще излезе от среза и ще се получи откат. Завършете циркуляра и завършете срез по нормалния начин, като режете напред. Използвайте машинна ножовка или ръчен трион за завършване на среза в ъглите, ако е нужно.

Рязане на големи листове

1. Големите плоскости или дъски трябва да бъдат подпирани, за не се огънат или провиснат. Ако опитвате да режете без изравняване и правилно подпиране на детайла, острието може да се огъне и това ще доведе до откат.
2. Подпирайте плота или дъската близо до мястото на срез. Уверете се, че сте регулирали острието така, че да можете да режете през материала, без да засягате масата или работния плот. Предложение: използвайте малки подложки за подпиране на дъската или плота, които ще се режат. Ако детайлът е твърде дълъг за работния плот, използвайте пода с малките подложки за подпиране на дървения материал.

ПОДДРЪЖКА

1. За предотвратяване на инциденти винаги прекъсвайте връзката на циркуляра с електрозахранването преди почистване или извършване на поддръжка; най-ефикасно циркулярът може да се почисти със сгъстен въздух. Винаги носете предпазни очила при работа със сгъстен въздух. Ако не разполагате със сгъстен въздух, използвайте четка, за да отстраните праха и стружките от циркуляра.
2. Отворите за проветрение на мотора и превключвателните лостове трябва да са чисти и свободни от чужд материал. Не се опитвайте да почиствате, като пхатете остри предмети през отворите.
3. Никога не използвайте разяждащи вещества за почистване на пластмасовите части. Такива са например: бензин, въглероден тетрахлорид, почистващи разтворители със съдържание на хлор, амоняк и битови почистващи препарати, съдържащи амоняк. Не използвайте никой от тези препарати за почистване на циркуляра.
4. Осигурете проверка и/или смяна на износените графитни четки в оторизиран сервизен център в случай на прекомерно дълго спиране.
5. Остриетата се затпяват дори при рязане на нормален дървен материал, като сигурен при-

знак за затъпяване е нуждата от притискане на циркуляра напред вместо воденето му при рязане. Занесете острието в сервизен център за заточване.

6. Поддържайте машината чиста по всяко време.
7. Ако откриете повреда, консултирайте се с детайлния чертеж и списъка с части, за да определите точно коя част трябва да поръчате от нашия отдел за обслужване на клиенти.
8. Почиствайте корпуса само с влажен парцал. Не използвайте разтворители! Изсушете напълно след това. За да се запази капацитетът на акумулатора, препоръчваме да го оставите да се разрези напълно веднъж месечно и след това да го презаредите отново. Съхранявайте само с напълно зареден акумулатор и дозареждайте от време на време, ако съхранявате за дълъг период от време. Съхранявайте на сухо място без образуване на скреж – температурата на околната среда не трябва да превишава 40°C.
9. Ако захранващият кабел на електроинструмента е повреден, той трябва да се смени с подобен кабел, предлаган от фирмата за сервиз или квалифициран технически експерт.

ВНИМАНИЕ: Не използвайте почистващи агенти за почистване на пластмасовите части на инструмента. Препоръчително е използването на парцал, навлажнен с неагресивен почистващ препарат. Водата никога не трябва да влиза в контакт с инструмента.

Значение на зачеркнатото кошче за боклук с колелца:

Не изхвърляйте електроуредите като несортиран битов отпадък, използвайте отделни пунктове за събиране. Свържете се с локалните власти за информация относно наличните системи за събиране на отпадъци. Ако електроуредите се изхвърлят в сметища, в подпочвените води може да изтекат опасни вещества, които да попаднат в хранителната верига, увреждайки вашето здраве и благополучие.

ГАРАНЦИЯ

Този продукт е гарантиран в съответствие със законовите разпоредби / специфичните за страната разпоредби, в сила от датата на покупката от първия потребител. Щетите, които се дължат на нормално износване, претоварване или неправилно боравене, ще бъдат изключени от гаранцията. В случай на рекламация, моля изпратете машината, напълно сглобена, до вашия дилър или официалния сервизен център.

Lietuvių k.

BENDRIEJI ELEKTRINIŲ ĮRANKIŲ SAUGOS ĮSPĖJIMAI

Perskaitykite visus saugos įspėjimus ir instrukcijas. Perspėjimų ir instrukcijų nesilaikymas gali sukelti elektros smūgį, gaisrą ir (arba) rimtus sužalojimus. Išsaugokite visus įspėjimus ir instrukcijas, kad galėtumėte pasinaudoti ateityje. Įspėjimuose vartojamas terminas „elektrinis įrankis“ reiškia iš tinklo (laidinį) elektrinį įrankį arba akumuliatorinį (belaidį) elektrinį įrankį.

Darbo zonos sauga

- ▶ Laikykitės darbo vietą švarią ir gerai apšviestą. Netvarkingos arba tamsios vietos sukelia nelaimingus atsitikimus.
- ▶ Nenaudokite elektrinių įrankių sprogoje aplinkoje, pvz., ten, kur yra degių skysčių, dujų ar dulkių. Elektriniai įrankiai sukuria kibirkštis, kurios gali uždegti dulkes arba dūmus.
- ▶ Dirbdami su elektriniu įrankiu saugokite vaikus ir pašalinis asmenis. Dėl išsiblašymo galite prarasti kontrolę.

Elektros sauga

- ▶ Elektrinio įrankio kištukai turi atitikti lizdą. Niekada jokiū būdu nemodifikuokite kištuko. Nenaudokite adapterių kištukų su žemintais (žemintais) elektriniais įrankiais. Nepakeisti kištukai ir atitinkami lizdai sumažins elektros smūgio riziką.
- ▶ Venkite kūno kontakto su žemintais paviršiais, tokiais kaip vamzdžiai, radiatoriai, viryklės ir šaldytuvai. Jei jūsų kūnas yra žemintas arba žemintas, padidėja elektros smūgio rizika.
- ▶ Saugokite elektrinius įrankius nuo lietaus ar drėgnų sąlygų. Į elektrinį įrankį patekęs vanduo padidins elektros smūgio riziką.
- ▶ Nepiknaudžiaukite laidu. Niekada nenaudokite laido elektrinio įrankio nešimui, traukimui ar atjungimui. Laikykitės laidą toliau nuo karščio, alyvos, aštrių briaunų ir judančių dalių. Pažeisti arba įsipainioję laidai padidina elektros smūgio riziką.
- ▶ Kai naudojate elektrinį įrankį lauke, naudokite ilginamąjį laidą, tinkamą naudoti lauke. Naudojant lauke tinkamą laidą sumažėja elektros smūgio rizika.
- ▶ Jei elektrinį įrankį naudote drėgnoje vietoje neišvengiama, naudokite nuotėkio srovės įtaiso (RCD) apsaugotą maitinimą. RCD naudojimas sumažina elektros smūgio riziką.

Asmeninis saugumas

- ▶ Būkite budrus, stebėkite, ką darote, ir vadovaukitės sveiku protu, kai naudojate elektrinį įrankį. Nenaudokite elektrinio įrankio, kai esate pavargę arba apsvaigę nuo narkotikų, alkoholio ar vaistų. Akimirka neatidumas dirbant su elektriniu įrankiu gali rimtai susižaloti.
- ▶ Naudokite asmenines apsaugos priemones. Visada dėvėkite akių apsaugą. Apsauginė įranga, pvz., dulkių kaukė, neslystantys apsauginiai batai, kepuraitė arba klausos apsaugos priemonės, naudojamoms tinkamomis sąlygomis, sumažins sužalojimus.

- ▶ Apsaugokite nuo netyčinio paleidimo. Įsitikinkite, kad jungiklis yra išjungtoje padėtyje, prieš prijungdami prie maitinimo šaltinio ir (arba) akumuliatoriaus bloko, paimdami ar nešdami įrankį. Elektrinius įrankius nešiojant pirštu ant jungiklio arba įjungus elektros įrankį su įjungtu jungikliu, gali įvykti nelaimingi atsitikimai.
- ▶ Prieš įjungdami elektrinį įrankį, išimkite bet kokį reguliavimo raktą arba veržliaraktį. Veržliaraktis arba raktas, paliktas prie besisukančios elektrinio įrankio dalies, gali susižaloti.
- ▶ Neperstienkite. Visada stovėkite tinkamai ir laikykite pusiausvyrą. Tai leidžia geriau valdyti elektrinį įrankį netikėtose situacijose.
- ▶ Apsirenkite tinkamai. Nedėvėkite laisvų drabužių ar papuošalų. Plaukus, drabužius ir pirštines laikykite toliau nuo judančių dalių. Laisvi drabužiai, papuošalai ar ilgi plaukai gali įstrigti judančiose dalyse.
- ▶ Jei yra prietaisai, skirti prijungti dulkių nusiurbimo ir surinkimo įrenginius, įsitikinkite, kad jie prijungti ir tinkamai naudojami. Dulkių surinkimo priemonės gali sumažinti su dulkmėmis susijusį pavojų.

Elektrinio įrankio naudojimas ir priežiūra

- ▶ Nespauskite elektrinio įrankio jėga. Naudokite savo reikmėms tinkamą elektrinį įrankį. Tinkamas elektrinis įrankis atliks darbą geriau ir saugiau tokiu greičiu, kuriam jis buvo sukurtas.
- ▶ Nenaudokite elektrinio įrankio, jei jungiklis jo neįjungia ir neišjungia. Bet koks elektrinis įrankis, kurio negalima valdyti jungikliu, yra pavojingas ir turi būti suremontuotas.
- ▶ Prieš atlikdami bet kokius reguliavimus, keisdami priedus arba laikydami elektrinius įrankius, atjunkite kištuką nuo maitinimo šaltinio ir (arba) akumuliatorių nuo elektrinio įrankio. Tokios prevencinės saugos priemonės sumažina elektrinio įrankio netyčinio įjungimo riziką.
- ▶ Nenaudokiamus elektrinius įrankius laikykite vaikams nepasiekiamose vietose ir neleiskite su elektriniu įrankiu arba šiomis instrukcijomis nesusipažintiems asmenims naudotis elektriniu įrankiu. Elektriniai įrankiai yra pavojingi neapmokytų naudotojų rankose.
- ▶ Prižiūrėkite elektrinius įrankius. Patikrinkite, ar judančios dalys nėra sulgyjuotos arba nesusirišusios, ar dalys nesulūžusios ir ar nėra kitų sąlygų, kurios gali turėti įtakos elektrinio įrankio veikimui. Jei elektrinis įrankis pažeistas, prieš naudodami jį suremontuokite. Daug nelaimingų atsitikimų įvyksta dėl prastai prižiūrimų elektrinių įrankių.
- ▶ Pjovimo įrankius laikykite aštrius ir švarius. Tinkamai prižiūrimi pjovimo įrankiai su aštriomis pjovimo briaunomis rečiau įspainuoja ir yra lengviau valdomi.
- ▶ Elektrinį įrankį, priedus, įrankių antgalius ir pan. naudokite pagal šias instrukcijas, atsižvelgdami į darbo sąlygas ir atliekamą darbą. Naudojant elektrinį įrankį kitokiems nei numatyta darbams, gali susidaryti pavojinga situacija.

Aptarnavimas

Pasirūpinkite, kad jūsų elektrinį įrankį aptarnautų kvalifikuotas remontininkas, naudodamas tik identiškas atsargines dalis. Taip bus užtikrintas elektrinio įrankio saugumas.

DISKINIŲ PJŪKLŲ SAUGOS ĮSPĖJIMAI

Pjovimo procedūros

- ▶ **PAVOJUS:** rankas laikykite toliau nuo pjovimo vietos ir ašmenų. Laikykite antrąją ranką ant papildomose rankenos arba variklio korpuso. Jei pjūklą laikote abiem rankomis, ašmenys negali jų nupjauti.
- ▶ Nelieskite po ruošiniu. Apsauga negali apsaugoti jūsų nuo ašmenų žemiau ruošinio.
- ▶ Sureguliuokite pjovimo gylį pagal ruošinio storį. Po ruošiniu turėtų matytis mažiau nei pilnas ašmenų dantų dantis.
- ▶ Niekada nelaiškinkite pjaunamo gabalo rankose arba skersai kojos. Pritvirtinkite ruošinį ant stabilios platformos. Svarbu tinkamai paremti darbą, kad būtų sumažintas kūno poveikis, ašmenų surišimas ar kontrolės praradimas.
- ▶ Elektrinį įrankį laikykite tik už izoliuotų griebimo paviršių, kai atliekate operaciją, kai pjovimo įrankis gali liestis su paslėptais laidais arba savo laidu. Palietus „įtampą“ laidą, matomas metalinės elektrinio įrankio dalys taip pat taps „gyvos“, o operatorius gali patirti elektros smūgį.
- ▶ Plyšdami visada naudokite plėšimo tvorą arba tiesios briaunos kreiptuvą. Tai pagerina pjovimo tikslumą ir sumažina ašmenų įstrigimo tikimybę.
- ▶ Visada naudokite tinkamo dydžio ir formos ašmenis (deimantinius, palyginti su apvaliomis) pavėsinėmis. Ašmenys, kurie neatitinka pjūklo tvirtinimo detalių, važiuos ekscentriškai ir praras kontrolę.
- ▶ Niekada nenaudokite pažeistų arba netinkamų ašmenų poveržlių ar varžtų. Ašmenų poveržlės ir varžtas buvo specialiai sukurti jūsų pjūklui, kad būtų užtikrintas optimalus veikimas ir darbo saugumas.
- ▶ Atatranks priežastys ir susiję įspėjimai
 - Atatranka yra staigi reakcija į suspaustą, surištą ar netinkamai išlygiuotą pjūklo diską, dėl kurio nekontroliuojamas pjūklas pakyla ir išsaina iš ruošinio link operatoriaus;
 - Kai ašmenys suspaudžiami arba tvirtai surišami, kai plyšys užsidaro, ašmenys sustoja ir variklio reakcija greitai stumia įrenginį atgal link operatoriaus;
 - Jei pjūvyje ašmenys susisuka arba nesutampa, ašmenų galinio krašto dantys gali įsikverbti į viršutinį medienos paviršių, todėl ašmenys gali išlipti iš pjūvio ir šokti atgal link operatoriaus. Atatranka atsiranda dėl netinkamo pjūklo naudojimo ir (arba) netinkamų eksploatavimo procedūrų ar sąlygų, todėl jos galima išvengti imantis atitinkamų atsargumų priemonių, kaip nurodyta toliau.
- ▶ Abiem rankomis tvirtai suimkite pjūklą ir padėkite rankas taip, kad atsisvirtumėte atatranksos jėgoms. Padėkite savo kūną abiejose ašmenų pusėse, bet ne vienoje linijoje su ašmenimis. Dėl atatranksos pjūklas gali šokinėti atgal, tačiau operatorius gali kontroliuoti atatranksos jėgas, jei imamasi tinkamų atsargumų priemonių.
- ▶ Kai pjūklas sustingsta arba dėl kokios nors priežasties nutraukiate pjovimą, atleiskite gaiduką ir laikykite pjūklą nejudantį medžiagoje, kol ašmenys visiškai sustos. Niekada nemėginkite nuimti pjūklo nuo darbo ar traukti pjūklo atgal, kol ašmenys juda, kitaip gali įvykti atatranka. Ištrinkite ir imkitės taisyminių veiksmų, kad pašalintumėte ašmenų surišimo priežastį.

- ▶ Iš naujo paleidžiant pjūklą ruošinyje, pjūklo diską sucentruokite įpjovoje ir patikrinkite, ar pjūklo dantys nėra įsikibę į medžiagą. Jei pjūklo diskas yra įstrigo, jis gali pakilti arba atšokti nuo ruošinio, kai pjūklas paleidžiamas iš naujo.
- ▶ Palaikykite dideles plokštes, kad sumažintumėte peilių suspaudimo ir atatranksos riziką. Didelės plokštės linkusios įdubti nuo savo svorio. Atramos turi būti dedamos po plokštę iš abiejų pusių, šalia pjovimo linijos ir šalia plokštės krašto.
- ▶ Nenaudokite nuobodžių ar pažeistų peilių. Negaląsti arba netinkamai nustatyti peiliukai sudaro siaurą plyšį, dėl kurio atsiranda per didelė trintis, asmenys surišami ir atatranka.
- ▶ Ašmenų gylio ir kampo reguliavimo fiksavimo svirtys turi būti sandarios ir saugios prieš įjauant. Jei pjovimo metu ašmenų reguliavimas pasislenka, tai gali sukelti susirišimą ir atatranką.
- ▶ Būkite ypač atsargūs pjaudami esamas sienas ar kitas aklines vietas. Atsikišę peiliai gali įpjauti daiktus, kurie gali sukelti atatranką.

Apatinės apsaugos funkcija

- ▶ Prieš kiekvieną naudojimą patikrinkite, ar apatinė apsauga tinkamai užsidaro. Nenaudokite pjūklo, jei apatinė apsauga nejuda laisvai ir akimirksniu neužsidaro. Niekada neužfiksukite ir nepirriškite apatinės apsaugos į atvirą padėtį. Jei pjūklas netyčia nukrito, apatinė apsauga gali būti sulenкта. Pakelkite apatinę apsaugą su įtraukimo rankena ir įsitikinkite, kad ji laisvai juda ir neliečia ašmenų ar bet kurios kitos dalies visais kampais ir pjovimo gyliu.
- ▶ Patikrinkite apatinės apsaugos spyruoklės veikimą. Jei apsauga ir spyruoklė neveikia tinkamai, prieš naudojimą jas reikia prižiūrėti. Apatinė apsauga gali veikti vangiai dėl pažeistų dalių, lipnių nuosėdų ar susikaupusių šiukšlių.
- ▶ Apatinė apsauga gali būti įtraukta rankiniu būdu tik atliekant specialius pjūvius, pvz., „leidžiamus ir kampinius pjūvius“. Pakelkite apatinę apsaugą įtraukdami rankeną ir, kai tik ašmenys pateks į medžiagą, atleiskite apatinę apsaugą. Atliekant visas kitas pjovimo operacijas, apatinė apsauga turi veikti automatiškai.
- ▶ Prieš padėdami pjūklą ant stalo ar grindų, visada atkreipkite dėmesį, kad apatinė apsauga uždenktų ašmenis. Neapsaugotas, riedančiu geležte pjūklas ims vaikščioti atgal ir įpjauti viską, kas yra jo kelyje. Žinokite, kiek laiko reikia, kol ašmenys sustoja atleidus jungiklį.

TECHNINĖ SPECIFIKACIJA:

Straipsnio numeris	41 343	
Modelis	CS 55/1200 PLUS	
Įtampa/dažnis	V/Hz	220-240/50
Galios įvertinimas	W	1.200
Nėra apkrovos greičio	min ⁻¹	5.500
Ašmenų dydis	mm	Ø165
Maksimalus pjovimo gylis 90°	mm	55
Maksimalus pjovimo gylis 45°	mm	36

Svoris (be priedų) apytiksl.	kg	3,5
------------------------------	----	-----

Apsaugos klasė ☐ / II

Garso emisijos vertės nustatytos pagal EN 60745-1, EN 60745-2-5

Paprastai gaminio A svertinis triukšmo lygis yra:

Garso slėgio lygis	dB(A)	92,7
--------------------	-------	------

Garso galios lygis	dB(A)	103,7
--------------------	-------	-------

Neaiškumas K	dB	3
--------------	----	---

Dėvėkite klausos apsaugos priemones!

Bendros vibracijos vertės ah (triašių vektorių suma) neapibrėžtis K nustatyta pagal EN 60745-1, EN 60745-2-5

Bendros vibracijos vertės:

a _h	m/s ²	4,75
----------------	------------------	------

K	m/s ²	1,5
---	------------------	-----

Funkcinis aprašymas:

1. Apatinės apsaugos svirtis
2. Dulkių ištraukimo anga
3. Pjūklo geležtė
4. Įjungimo indikatorius
5. Pagalbinė rankena
6. Anglies šepetėlio dangtelis
7. Kampo matuoklis
8. Fiksavimo rankenėlė kampo reguliavimui
9. Krašto kreiptuvo fiksavimo rankenėlė
10. Atraminė plokštė
11. Krašto kreiptuvas
12. Išorinis flanšas
13. Ašmenų spauštuko varžtas
14. Apatinė apsauga
15. Veleno fiksavimo mygtukas
16. ON/OFF jungiklis
17. Užrakinimo mygtukas
18. Pagrindinė rankena
19. Gylio matuoklis
20. Fiksavimo svirtis gylio reguliavimui

MONTAVIMAS

Svarbu: prieš bet kokį surinkimą ir reguliavimą visada atjunkite įrankį.

Ašmenų keitimas (3, 4)

Įspėjimas: Visada atjunkite kištuką nuo maitinimo šaltinio prieš atlikdami bet kokius reguliavimus ar prijungdami priedus. Nenaudokite jokių abrazyvinių ratų.

1. Padėkite šį diskinį pjūklą ant šono ant lygus paviršiaus. Rekomenduojame nuleisti pagrindo plokštę taip, lyg būtų atliktas minimalus pjūvio gylis, kurį lengva valdyti.
2. Paspauskite veleno fiksavimo mygtuką 15 link variklio korpuso, kaip parodyta 3 pav. rodyklėje, ir tvirtai jį laikykite.
3. Pasukite ašmenų spauštuko varžtą 13 prieš laikrodžio rodyklę naudodami šešiakampį raktą, pateiktą kartu su įrankiu.

4. Nuimkite ašmenų spaustuko varžtą ir išorinį flanšą 12.
5. Pakelkite apatinę apsaugą 14, naudodami apatinės apsaugos 1 svirtį, tada nuimkite pjūklo diską.
6. Nuvalkykite pjovimo disko flanšus, tada sumontuokite naują pjūklo diską ant išėjimo veleno ir prie vidinio flanšo.
7. Įsitikinkite, kad pjūklo dantys ir rodyklė ant ašmenų yra ta pačia kryptimi, kaip ir rodyklė ant apatinės apsaugos.
8. Vėl uždėkite išorinį flanšą ir priveržkite ašmenų spaustuko varžtą.
9. Sukdami diską ranka įsitikinkite, kad pjūklo diskas laisvai juda.

Gylio reguliavimas (5)

1. Atlaisvinkite gylio reguliavimo fiksavimo svirtį 20.
2. Laikykite pagrindo plokštę lygiai prie ruošinio krašto ir kelkite pjūklo korpusą tol, kol diskas pasiekia reikiamą gylį, kurį nustato gylio matuoklis 19 (skalės linija).
3. Priveržkite fiksavimo svirtį, kad reguliuotumėte gylį.

Kampo reguliavimas (6)

1. Atlaisvinkite kampo reguliavimo fiksavimo rankenėlę 8.
2. Sureguliuokite batą norimu kampu nuo 0° iki 45° [Žr. 7 kampo matuoklį].
3. Priveržkite fiksavimo rankenėlę, kad sureguliuotumėte kampą.

Ijungti ir išjungti (7)

Prieš įjungdami įjungimo/išjungimo jungiklį, patikrinkite, ar pjūklo diskas tinkamai sumontuotas ir veikia sklandžiai, o ašmenų spaustuko varžtas gerai priveržtas.

1. Prijunkite kištuką prie maitinimo šaltinio, įjungimo indikatorius 4 šviečia tol, kol įrankis atsijungs nuo maitinimo tinklo.
2. Norėdami įjungti diskinį pjūklą, paspauskite fiksavimo mygtuką 17 ir patraukite ON/OFF jungiklio gaiduką 16.
3. Kai atleidžiate jungiklio gaiduką 16, įrankis išsijungia.

Lygiagretaus pjovimo reguliavimas (8)

1. Atlaisvinkite krašto kreiptuvo fiksavimo rankenėlę 9.
2. Pastumkite krašto kreiptuvą 11 per bato angas iki norimo pločio.
3. Priveržkite fiksavimo varžtą, kad užfiksuotumėte jį tokioje padėtyje.
4. Įsitikinkite, kad krašto kreiptuvas per visą ilgį remiasi į medieną, kad būtų nuoseklūs lygiagrečiai pjūviai.

Anglies šepetėlių keitimas (9)

Saugumo sumetimais mašina automatiškai išsijungia, jei anglies šepetčiai yra taip susidėvėję, kad nebesiliečia su varikliu. Tokiu atveju anglinius šepetėlius reikia pakeisti pora panašių anglinių šepetėlių, kuriuos galima įsigyti iš garantinio aptarnavimo organizacijos arba kvalifikuoto specialisto. Atsuktuvu atlaisvinkite anglinio šepetėlio dangtelį prieš

laikrodžio rodyklę, atidarykite dangtelį ir nuimkite anglinius šepetėlius. Jei jie yra 6 mm ar mažesni, juos reikia pakeisti. Sumontuokite naujus anglinius šepetėlius ir pakeiskite šepetėlio korpusą.
DĖMESIO: Šepetčiai visada turi būti keičiami poromis.
JSPĖJIMAS: Prieš nuimdami bet kokius elektrinius dangčius, visada atjunkite įrenginį nuo maitinimo šaltinio.

OPERACIJA

Bendras kirpimas

1. Pradėdami darbą, visada viena ranka laikykite už pjūklo rankenos, o kita ranka – už pagalbines rankenos 5. Niekada nespaukite pjūklo jėga, bet palaikykite lengvą ir nuolatinį spaudimą baigę pjovimą, kad pjūklas visiškai sustotų. Kai pjovimas pratraukiamas, tęskite pjovimą, leisdami ašmenims pasiekti visą greitį ir lėtai grįžkite į pjovimą.
2. Pjaunant skersai grūdų, medienos pluoštai turi tendenciją kilti ir plyšti, o pjūklo judėjimas lėtai sumažina šį poveikį.

Kišeninis kirpimas

1. Prieš atlikdami bet kokius reguliavimus, atjunkite kištuką nuo maitinimo šaltinio. Nustatykite gylio reguliavimą pagal pjovimo linijos brėžinio storį. Pakelkite apatinę apsaugą, naudodami kėlimo svirtį.
2. Kai ašmenys vos viršija pjaunamos medžiagos, paleiskite pjūklą ir leiskite ašmeniui įsibėgėti visu greičiu. Palaipsniui nuleiskite peilį iki pjaustomos medžiagos, naudodami priekinį bato galą kaip sukimosi tašką. Kai ašmenys pradeda pjauti, atleiskite apatinę apsaugą. Kai batas yra lygiai ant pjaunamo paviršiaus, tęskite kirpimą į priekį iki pjūvio pabaigos. Prieš išimdami iš pjūvio, leiskite peiliui visiškai sustoti. Niekada netraukite pjūklo atgal, nes ašmenys išlipsis iš pjūvio ir įvyks atitranka. Apverskite pjūklą ir baikite pjovimą įprastu būdu, pjaudami į priekį. Jei reikia, naudokite dėlionę arba rankinį pjūklą, kad užbaigtumėte pjovimą kampuose.

Didelių lakštų pjaustymas

1. Dideliam lakštui ar lentoms reikalinga atrama, kad būtų išvengta įlinkimų ar įlinkimų. Jei bandysite pjauti neišlygindami ir tinkamai nepalaikydami ruošinio, ašmenys bus linkę įspausti ir sukelti atitranką.
2. Atremkite plokštę arba lentą prie pat pjūvio. Būtinai nustatykite ašmenų reguliavimą taip, kad galėtumėte pjauti medžiagą neįsijovę į stalą ar darbatalį. Patarimas: naudokite du po keturis, kad parentumėte lentą arba plokštę, kurią norite pjaustyti. Jei gabalas yra per didelis darbataliui, naudokite grindis su dviem keturiais, laikiniais medieną.

PRIEŽIŪRA

1. Kad išvengtumėte nelaimingų atsitikimų, prieš valydami ar atlikdami bet kokią techninę priežiūrą visada atjunkite pjūklą nuo maitinimo

- šaltinio. Naudodami suslėgtą orą visada dėvėkite apsauginius akinius. Jei suspausto oro nėra, šepečiu pašalinkite dulkes ir drožles nuo pjūklo.
2. Variklio ventilacijos angos ir jungiklių svirtys turi būti švarios ir be pašalinių medžiagų. Nebandykite valyti kišdami smalius daiktus per angas.
 3. Niekada nenaudokite jokių šarminių medžiagų plastikinėms dalims valyti. Tokie kaip: benzinas, anglies tetrachloridas, chlorinti valymo tirpikliai, amoniakas ir buitiniai valikliai, kurių sudėtyje yra amoniako. Pjūklui valyti nenaudokite nė vieno iš jų.
 4. Pasirūpinkite, kad įgaliotasis techninės priežiūros centras patikrintų ir (arba) pakeistų susidėvėjusius anglies šepetėlius, jei stovite per daug.
 5. Ašmenys tampa nuobodūs net pjaunant įprastą medieną. Neabejotinas pjūklo nuobodulio požymis yra būtinybė pjūklą stumti į priekį, o ne nukreipti jį pjaunant. Nuneškite ašmenis į techninės priežiūros centrą galandimui.
 6. Visą laiką laikykite mašiną švarią.
 7. Jei pastebėsite kokių nors pažeidimų, peržiūrėkite išskleistą brėžinį ir dalių sąrašą, kad tiksliai nustatytumėte, kurią atsarginę dalį reikia užsisakyti iš mūsų klientų aptarnavimo skyriaus.
 8. Korpusą valykite tik drėgna šluoste. Nenaudokite jokių tirpiklių! Po to kruopščiai išdžiovinkite. Siekiant išlaikyti akumuliatoriaus talpą, rekomenduojame kas mėnesį visiškai iškrauti akumuliatorių ir vėl pilnai įkrauti. Laikykite tik su visiškai įkrautu akumuliatoriumi ir retkarčiais įkraukite, jei laikote ilgą laiką. Laikyti sausoje ir neužšalancioje vietoje, aplinkos temperatūra neturi viršyti 40°C.
 9. Jei šio elektrinio įrankio maitinimo laidas yra pažeistas, jį reikia pakeisti panašiu laidu, kurį gali įsigyti techninės priežiūros organizacija arba kvalifikuotas autoritetingas technikas.

ĮSPĖJIMAS: nenaudokite valymo priemonių plastikinėms įrankio dalims valyti. Rekomenduojama naudoti švelnų ploviklį ant drėgnos šluostės. Vanduo niekada neturi liestis su įrankiu.

Perbrauktos šiukšliadėžės su ratukais reikšmė:

Neišmeskite elektros prietaisų kaip nerūšiuotų komunalinių atliekų, naudokite atskirus surinkimo įrenginius. Dėl informacijos apie galimas surinkimo sistemas susisieki su vietos valdžia. Jei elektros prietaisai išmetami į sąvartynus ar sąvartynus, pavojingos medžiagos gali nutekėti į gruntinius vandenis ir patekti į maisto grandinę, pakenkdamos jūsų sveikatai ir savijautai.

GARANTIJA

Šiam gaminiui suteikiama garantija pagal teisinius / konkrečios šalies reglamentus, kurie galioja nuo pirmojo naudotojo įsigijimo datos. Garantija netaikoma žalai, atsiradusioms dėl normalaus nusidėvėjimo, perkrovos ar netinkamo naudojimo. Jei turite pretenzijų, visiškai surinktą mašiną nušiuškite pardavėjui arba oficialiam aptarnavimo centrui.

EN	EU DECLARATION OF CONFORMITY		We declare under our sole responsibility that the listed products comply with all applicable provisions of the below directives and are also in conformity with the following standards. Production year and serial number are on the product. The relative technical file is at the below address.
	CIRCULAR SAW		
	MODEL	Article number	
FR	DÉCLARATION CE DE CONFORMITÉ		Nous déclarons sous notre propre responsabilité que les produits décrits sont conformes à toutes les dispositions applicables des directives ci-dessous et sont également conformes aux normes suivantes. L'année de production et le numéro de série figurent sur le produit. Le dossier technique correspondant est à l'adresse ci-dessous.
	SCIE CIRCULAIRE		
	MODÈLE	Numéro de l'article	
IT	DICHIARAZIONE CE DI CONFORMITÀ		Dichiariamo sotto la nostra piena responsabilità che i prodotti indicati sono conformi a tutte le disposizioni applicabili delle seguenti direttive e sono inoltre conformi alle seguenti norme. Anno di produzione e numero di serie sono sul prodotto. La relativa scheda tecnica è al seguente indirizzo.
	SEGA CIRCOLARE		
	MODELLO	Codice prodotto	
EL	ΔΗΛΩΣΗ ΣΥΜΜΟΡΦΩΣΗΣ ΕΚ		Δηλώνουμε με αποκλειστική μας ευθύνη, ότι τα αναφερόμενα προϊόντα συμμορφώνονται με όλες τις σχετικές διατάξεις των κάτωθι οδηγιών και είναι επίσης σύμφωνα με τα ακόλουθα πρότυπα. Το έτος παραγωγής και ο σειριακός αριθμός αναγράφονται στο προϊόν. Ο τεχνικός φάκελος είναι στην παρακάτω διεύθυνση.
	ΔΙΣΚΟΠΡΙΟΝΟ		
	ΜΟΝΤΕΛΟ	Κωδικός προϊόντος	
SR	CE IZJAVA O USAGLAŠENOSTI		Na sopstvenu odgovornost izjavljujemo, da navedeni proizvodi poštuju sve važeće odredbe dole navedenih direktiva i da su takođe u skladu sa sledećim standardima. Proizvodna godina i serijski broj su na proizvodu. Relativna tehnološka datoteka je na donje adrese.
	KRUŽNA TESTERA		
	MODEL	Broj predmeta	
HR	EU IZJAVA O SUKLADNOSTI		Pod punom odgovornošću izjavljujemo da navedeni proizvodi u skladu sa svim primjenjivim odredbama dolje navedenih direktiva, a također su u skladu sa sljedećim standardima. Godina proizvodnje i serijski broj su na proizvodu. Relativna tehnička datoteka nalazi se na donjoj adresi.
	KRUŽNA PILA		
	MODEL	Broj artikla	
RO	DECLARAȚIE DE CONFORMITATE UE		Declarăm pe proprie răspundere că produsele menționate respectă toate prevederile aplicabile din directivele de mai jos și sunt, de asemenea, conforme cu următoarele standarde. Anul de producție și numărul de serie sunt pe produs. Fișierul tehnic relativ se află la adresa de mai jos.
	FIERĂȘTRĂU CIRCULAR FARA ACUMULATOR		
	MODEL	Număr articol	
HU	EU MEGFELELŐSÉGI NYILATKOZAT		Kijelentjük kizárólagos felelősségünkre, hogy a felsorolt termékek megfelelnek az alábbi irányelvek összes vonatkozó rendelkezésének, és megfelelnek a következő szabványoknak is. A gyártási év és a sorozatszám a terméken található. A relatív műszaki fájl az alábbi címen található.
	KÖRFŰRÉSZ		
	MODELL	Cikk szám	
BG	ЕС ДЕКЛАРАЦИЯ ЗА СЪОТВЕТСТВИЕ		С пълна отговорност ние декларираме, че посочените продукти отговарят на всички валидни изисквания на директивите и разпоредбите по-долу и съответства на следните стандарти.
	РЪЧЕН ЦИРКУЛЯР		
	МОДЕЛ	Каталожен номер	
LT	ES ATITIKTIES DEKLARACIJA		Mes, prisiimdami visą atsakomybę, pareiškiame, kad išvardyti produktai atitinka visas taikomas toliau nurodytų direktyvų nuostatas ir taip pat atitinka šiuos standartus. Gamybos metai ir serijos numeris yra ant gaminio. Santykinis technologinis failas yra žemiau nurodytu adresu.
	DISKINIS PJUKLAS		
	MODELIS	Straipsnis Numeris	

Aimilios G. Theodorou
Electrical Engineer,
Safety Officer



27/9/2022
FF GROUP TOOL INDUSTRIES,
19300 Aspropyrgos-Greece.

**FF GROUP TOOL
INDUSTRIES**
9,5km Attiki Odos,
Aspropyrgos
19300, Athens, Greece
Tel. +30 210 55 98 400





FF GROUP TOOL INDUSTRIES



9,5 Km Attiki Odos, Aspropyrgos

19300, Athens, Greece



+30 210 55 98 400



info@ffgroup-toolindustries.com



www.ffgroup-tools.com