

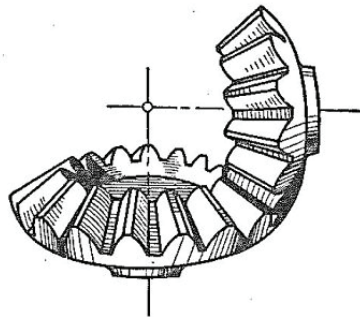
PARTS LIST

ROTARY HAMMER

BPH7500

Art# 023180

SDS-MAX

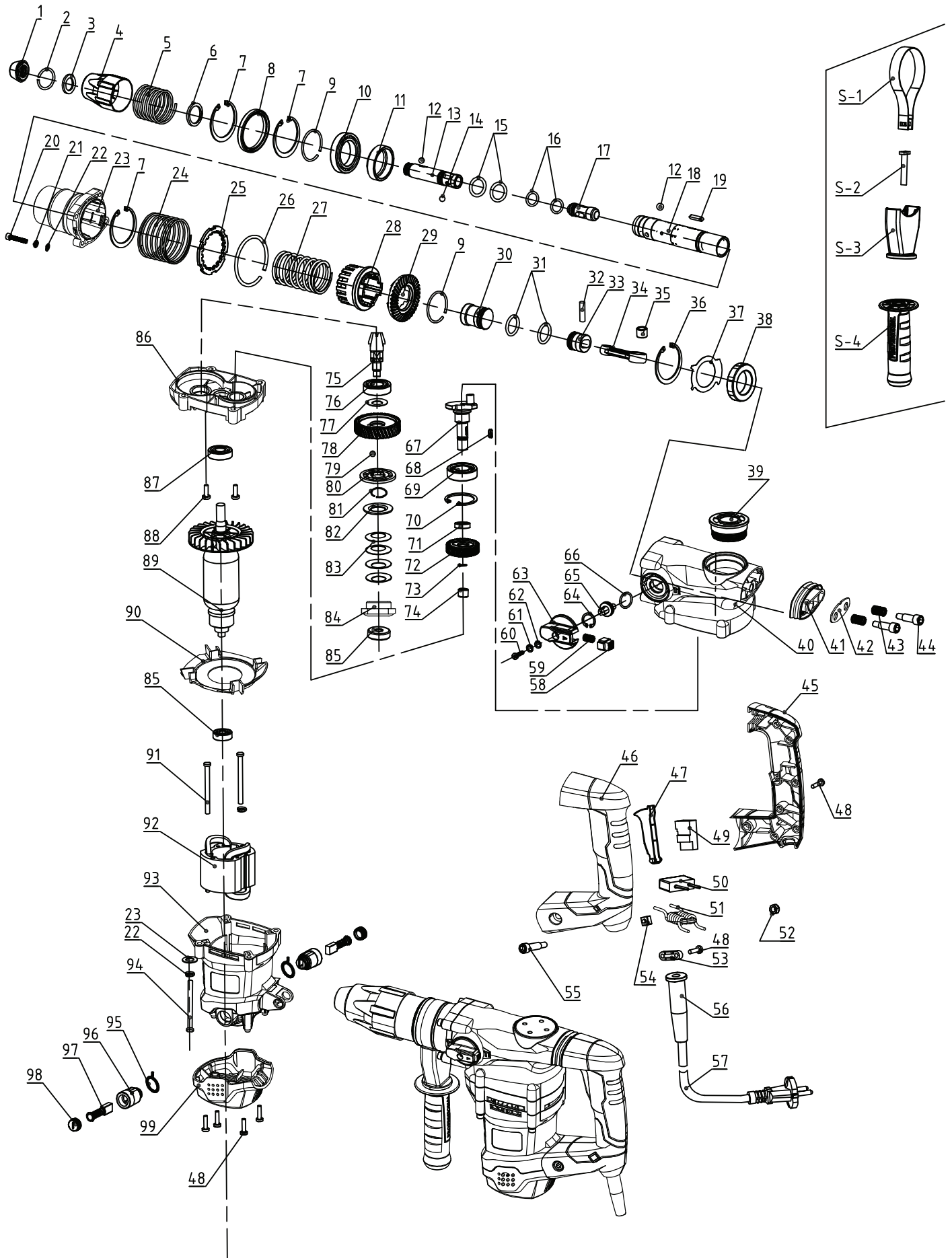


Use only BORMANN genuine parts as specified in the parts list for repair or replacement.
Check if your machine meets the applicable models listed below.
The contents described in the parts list may change due to improvement.



APPLICABLE:

March 2020



BPH7500 Fig. A



No#	Code	Description (EN)	QTY	Notes
1	0231800001	Rubber Head	1	
2	0231800002	Steel Cable Baffle Ring 23.5*2	1	
3	0231800003	Ring	1	
4	0231800004	Spin sleeve	1	
5	0231800005	Spring	1	
6	0231800006	Washer	1	
7	0231800007	Snap Ring 55	3	
8	0231800008	Oil seal FB35×55×8	1	
9	0231800009	Jump Ring 31.5×1.6	2	
10	0231800010	Bearing 61907	1	
11	0231800011	Ring	1	
12	0231800012	Ball	5	
13	0231800013	Cylinder Barrel	1	
14	0231800014	Spring Wahser	3	
15	0231800015	O-ring 24*2.2	2	
16	0231800016	O-ring 15*2	2	
17	0231800017	Impact Bolt	1	
18	0231800018	Cylinder	1	
19	0231800019	Pin3*3*18	2	
20	0231800020	Nylock Hex.Socket Hd.Bolt M6*30	4	
21	0231800021	Spring Washer 6	8	
22	0231800022	Washer 6	8	
23	0231800023	Cylinder case	1	
24	0231800024	Spring	1	
25	0231800025	Stop Plate	1	
26	0231800026	Steel Cable Baffle Ring 60*2	1	
27	0231800027	Big Spring 37×3×6×78	1	
28	0231800028	Clutch	1	
29	0231800029	Cone Gear	1	
30	0231800030	Hammer	1	
31	0231800031	O-ring 22*3	2	
32	0231800032	Piston Pin	1	
33	0231800033	Piston	1	
34	0231800034	Connecting Rod	1	
35	0231800035	Needle Bearing HK1210	1	
36	0231800036	Ring 50	1	
37	0231800037	Oil Board	1	
38	0231800038	Oil Bearing	1	
39	0231800039	Oil Cover	1	
40	0231800040	Gear Box	1	
41	0231800041	Vibration Cover	1	
42	0231800042	Vibration Board	1	
43	0231800043	Vibration Spring	2	
44	0231800044	Vibration Screw	2	
45	0231800045	Left Handle	1	
46	0231800046	Right Handle	1	
47	0231800047	switch knob		
48	0231800048	Self-tapping Screw ST3.9×16-F	12	
49	0231800049	Switch	1	
50	0231800050	Capacitance	1	
51	0231800051	Inductance	1	
52	0231800052	Lock Nut M8	1	

No#	Code	Description (EN)	QTY	Notes
53	0231800053	Cable Board	1	
54	0231800054	Pilot Lamp	1	
55	0231800055	Nylock Hex.Socket Hd.Bolt M8*45	1	
56	0231800056	Cable Cover	1	
57	0231800057	Cable	1	
58	0231800058	Knob	1	
59	0231800059	Spring	1	
60	0231800060	Cross Recess pan head screw	1	
61	0231800061	Plate Washer	1	
62	0231800062	Spring Washer	1	
63	0231800063	Button	1	
64	0231800064	Snap Ring 21	1	
65	0231800065	Knob Shaft	1	
66	0231800066	O-Ring 17.5*2	1	
67	0231800067	Crankshaft	1	
68	0231800068	Pin A4×4×12	1	
69	0231800069	Bearing 6204	1	
70	0231800070	Snap Ring 47	1	
71	0231800071	Distance Ring	1	
72	0231800072	Big Gear	1	
73	0231800073	Circlips for shaft 17	1	
74	0231800074	Needle Bearing HK1416	1	
75	0231800075	Small Gear Shaft	1	
76	0231800076	Bearing 6002	1	
77	0231800077	Washer 14.1x19x0.5	1	
78	0231800078	Flat Gear	1	
79	0231800079	Ball 5	8	
80	0231800080	Tripping Fixed Plate	1	
81	0231800081	Steel Cable Baffle Ring 15×1	1	
82	0231800082	Trip Board	1	
83	0231800083	Spring	4	
84	0231800084	Nut	1	
85	0231800085	Bearing 628	2	
86	0231800086	Inner Cover	1	
87	0231800087	Bearing Board	1	
88	0231800088	Nylock Hex.Socket Hd.Bolt M6*14	2	
89	0231800089	Rotor	1	
90	0231800090	Fan Guide	1	
91	0231800091	Cross Recess pan head screw ST4.8X60-F	2	
92	0231800092	Stator	1	
93	0231800093	Motor House	1	
94	0231800094	Nylock Hex.Socket Hd.Bolt M6*60	4	
95	0231800095	Tension Spring	2	
96	0231800096	Brush house7*11	2	
97	0231800097	Brush 7*11*14	2	
98	0231800098	Brush Cover	2	
99	0231800099	Chassis	1	
S-1	02318000S1	Hoop	1	
S-2	02318000S2	T-form Screw M8×50	1	
S-3	02318000S3	Aluminum Bracket	1	
S-4	02318000S4	Side Handle	1	