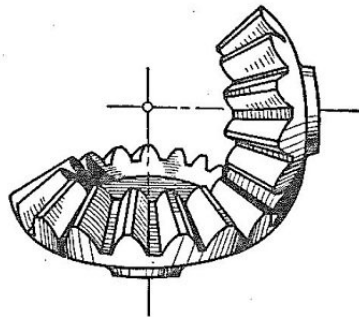


# PARTS LIST

ROTARY HAMMER

**BPH4000**

Art# 014744

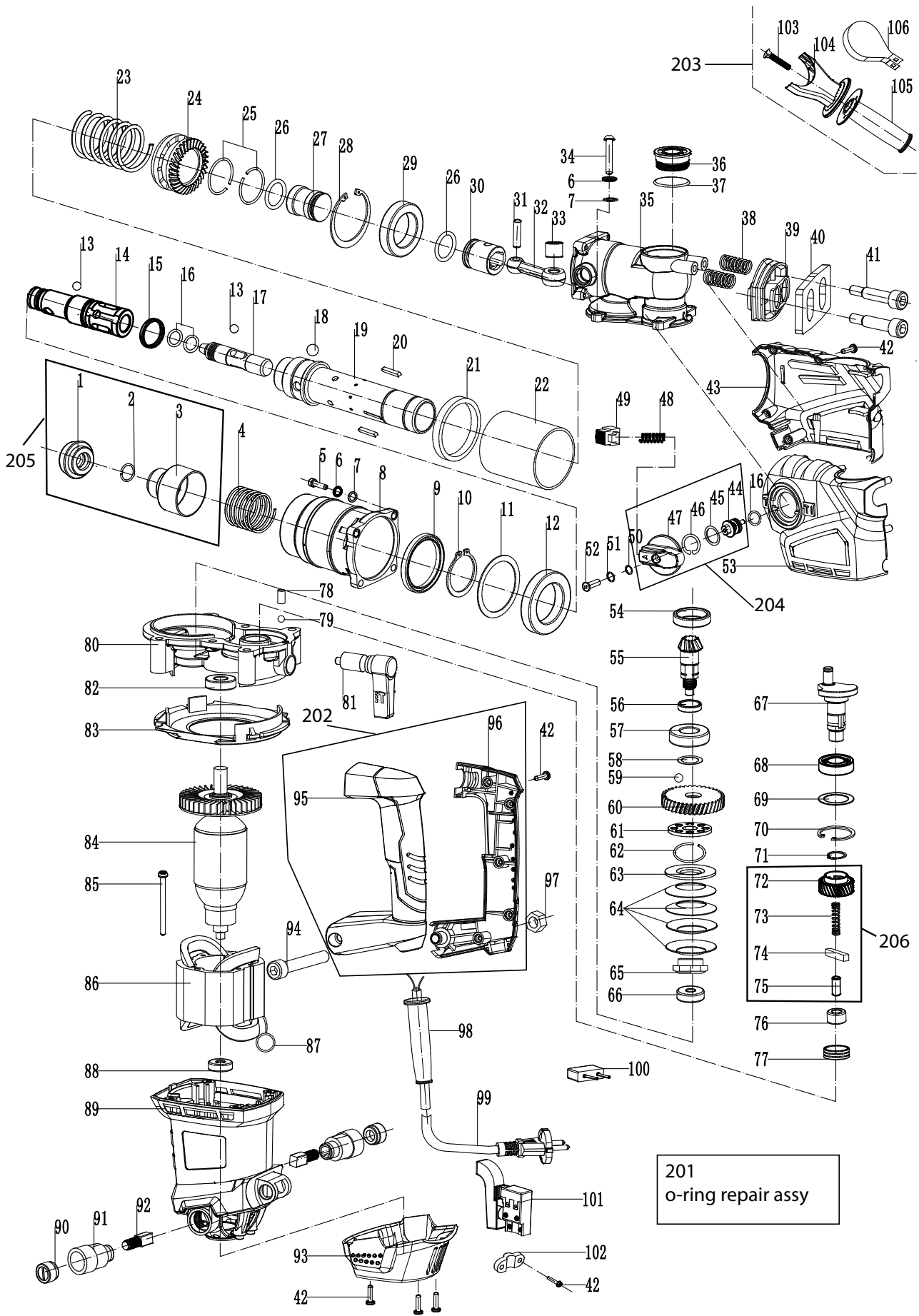


Use only BORMANN genuine parts as specified in the parts list for repair or replacement.  
Check if your machine meets the applicable models listed below.  
The contents described in the parts list may change due to improvement.



**APPLICABLE:**

March 2020



# BPH4000 Fig. A



No#	Code	Description (EN)	QTY	Notes
1	0147440001	Rubber Head	1	
2	0147440002	Steel Ring 17.5*2	1	
3	0147440003	Steel Frame	1	
4	0147440004	Spring 30.2*1.8*76	1	
5	0147440005	seal lock Hex.Socket Hd.Bolt M5*22	4	
6	0147440006	Spring Washer 5	8	
7	0147440007	Flat washer 5	8	
8	0147440008	Cylinder case	1	
9	0147440009	oil Seal 35*51*6	1	
10	0147440010	Circlips for shaft 35	4	
11	0147440011	Big Washer 5	1	
12	0147440012	Bearing 61907-RZ	1	
13	0147440013	Steel ball 7.14	5	
14	0147440014	teleflex	1	
15	0147440015	X-oil seal 19*30*2.5	1	
16	0147440016	O-ring 11*2	2	
17	0147440017	Impact hammer	1	
18	0147440018	steel Ball Ø7.14	3	
19	0147440019	Cylinder	1	
20	0147440020	Flat key 3*2.5*18	2	
21	0147440021	Plastic Range Ring	1	
22	0147440022	Plastic Cylinder Case	1	
23	0147440023	Big Spring 37*3.5*76	1	
24	0147440024	gear 34 teeth	1	
25	0147440025	Circlips for shaft 28*1.6	2	
26	0147440026	O-ring 19*3.1	2	
27	0147440027	rammer	1	
28	0147440028	Washer 47	1	
29	0147440029	Oil Bearing	1	
30	0147440030	piston	1	
31	0147440031	Piston Pin	1	
32	0147440032	Connecting Rod	1	
33	0147440033	steel sleeve	1	
34	0147440034	Cross pan head self-drilling screw ST4.8X50	4	
35	0147440035	Gear Box	1	
36	0147440036	Oil cover	1	
37	0147440037	O-ring 31.5*2	1	
38	0147440038	Damping spring 10*1.5*26	2	
39	0147440039	Damping washer	1	
40	0147440040	Damping Board	1	
41	0147440041	Damping Screw M8*35	2	
42	0147440042	self-drilling screw st3.9*16	16	
43	0147440043	Gear Box Right Cover	1	
44	0147440044	Dial the torsion spring	1	
45	0147440045	Washer 12.1*18*0.5	1	
46	0147440046	Internal Retaining Ring 18	1	
47	0147440047	button	1	
48	0147440048	spring	1	
49	0147440049	knob	1	
50	0147440050	washer 4	1	
51	0147440051	washer 4	1	
52	0147440052	Screw ST3.9*16	1	
53	0147440053	Gear Box Left Cover	1	
54	0147440054	oil seal 19*28*4.5	1	

No#	Code	Description (EN)	QTY	Notes
55	0147440055	small gear 10 teeth	1	
56	0147440056	Adjust washer 19*15*4.7	1	
57	0147440057	Bearing 6002	1	
58	0147440058	Adjust washer14.1*19*0.5	1	
59	0147440059	Steel ball	8	
60	0147440060	flat board gear 39 teeth	1	
61	0147440061	fixed board	1	
62	0147440062	Circlips for shaft 12.5*1	1	
63	0147440063	Friction flate	1	
64	0147440064	spring	4	
65	0147440065	self-locking nut	1	
66	0147440066	bearing 627	1	
67	0147440067	Crankshaft	1	
68	0147440068	Bearing 6003	1	
69	0147440069	Washer 28.5*1	1	
70	0147440070	Internal Retaining Ring 35	1	
71	0147440071	Circlips for shaft 17	1	
72	0147440072	Big gear	1	
73	0147440073	Spring 6.8X1.2X33	1	
74	0147440074	Square Key 22*5*5	1	
75	0147440075	Dome Pin 7*19	1	
76	0147440076	oil bearing	1	
77	0147440077	steel sleeve 22*26*9	1	
78	0147440078	pillar	1	
79	0147440079	ball 4	1	
80	0147440080	middle cover	1	
81	0147440081	button	1	
82	0147440082	bearing 6001	1	
83	0147440083	Fan Guide	1	
84	0147440084	Rotor	1	
85	0147440085	Screw ST4.8*60	2	
86	0147440086	Stator	1	
87	0147440087	spring	1	
88	0147440088	Bearing 608	1	
89	0147440089	Motor house	1	
90	0147440090	Brush cover	2	
91	0147440091	Brush house	2	
92	0147440092	Brush	2	
93	0147440093	Back coer	1	
94	0147440094	seal lock hex.socket Hd.bold M8*50	1	
95	0147440095	Right Handle	1	
96	0147440096	Left handle	1	
97	0147440097	hexagon lock Nut M8	1	
98	0147440098	cable cover	1	
99	0147440099	cable	1	
100	0147440100	capacitance	1	
101	0147440101	inductance	1	
102	0147440102	switch	1	
103	0147440103	cable plate	1	
104	0147440104	T-shape Nut M8	1	
105	0147440105	bracket	1	
106	0147440106	Auxiliary Handle	1	
107	0147440107	Hoop	1	
201	0147440201	O-ring assy	1	
202	0147440202	Handle assy	1	
203	0147440203	Front handle	1	
204	0147440204	Button switch assy	1	
205	0147440205	Head assy	1	
206	0147440206	Gear assy	1	