

# BORMANN®



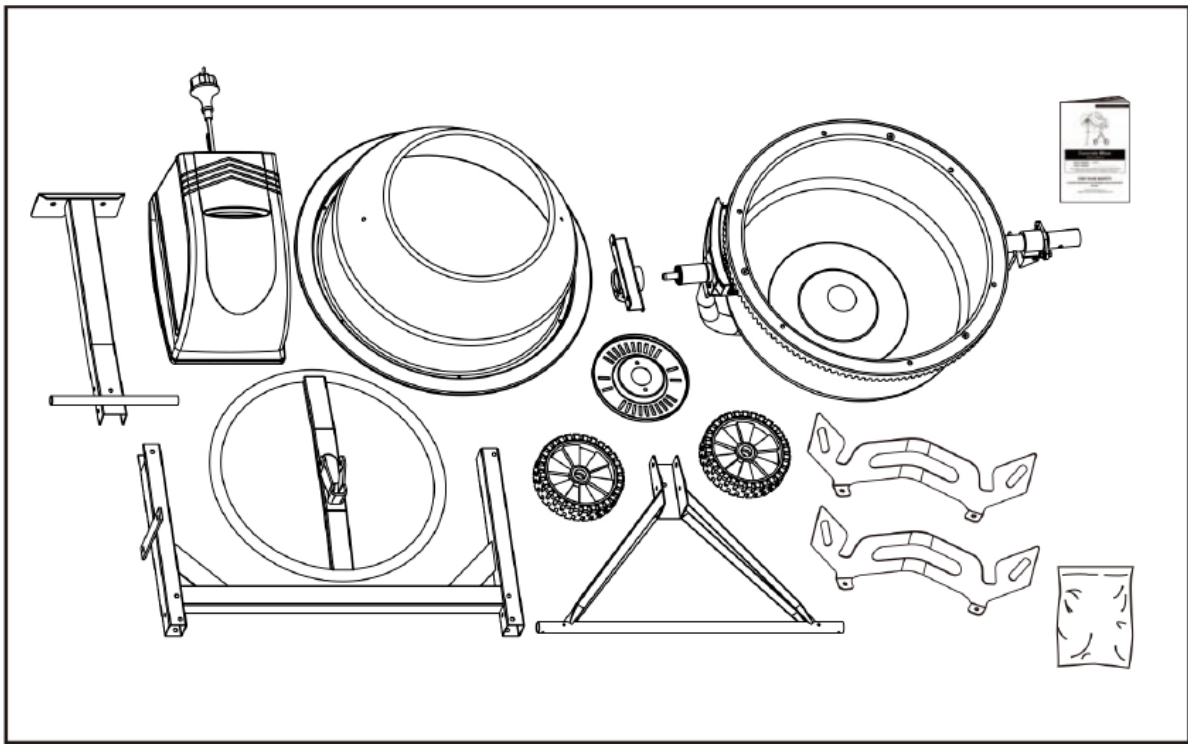
**BMX1205**      **BMX1410**  
053484                      061335

v2.2



[WWW.NIKOLAOUTOOLS.GR](http://WWW.NIKOLAOUTOOLS.GR)

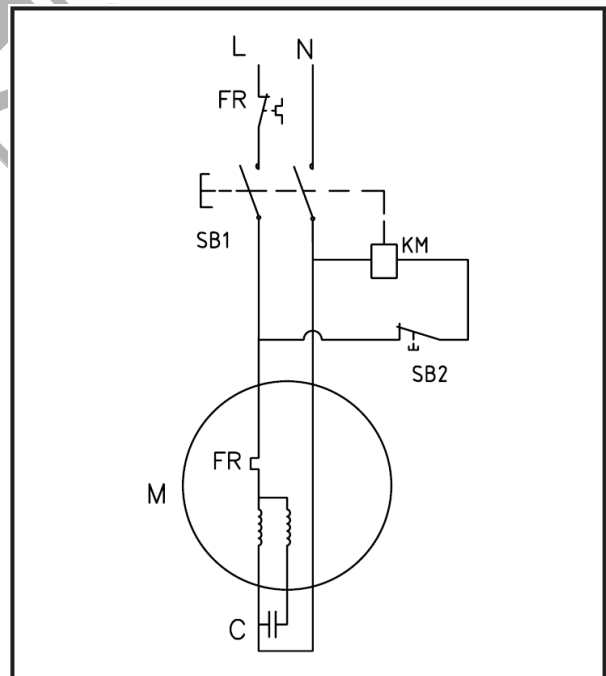
**2 YEARS**  
WARRANTY



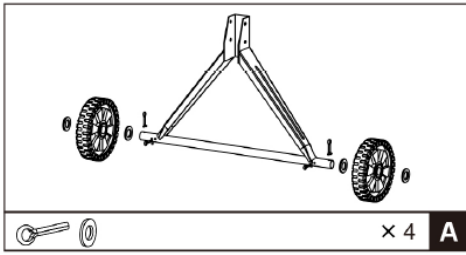
I.

		× 4	<b>A</b>
	M8 × 70	× 2	<b>B</b>
	M8 × 70	× 2	<b>C</b>
	M8 × 65	× 2	<b>D</b>
	Ø42	× 1	<b>D</b>
	M8 × 20	× 2	<b>E</b>
	M8 × 16	× 6	<b>F</b>
	M8 × 20	× 2	<b>F</b>
	M8 × 20	× 2	<b>G</b>
	M10 × 60	× 1	<b>H</b>
		× 1	<b>H</b>
	M8	× 4	<b>I</b>

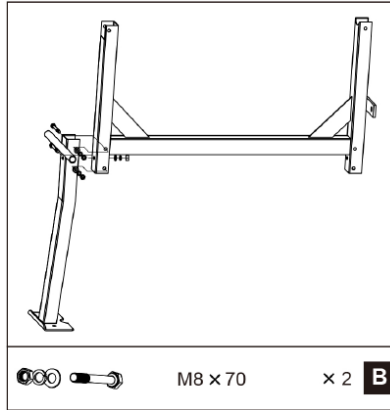
II.



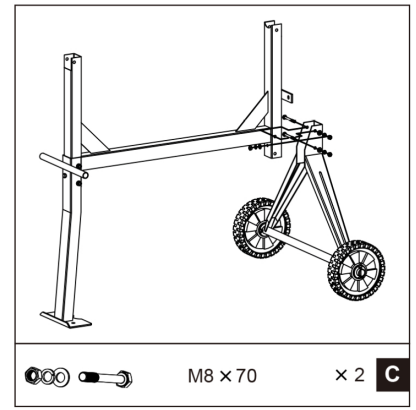
III.



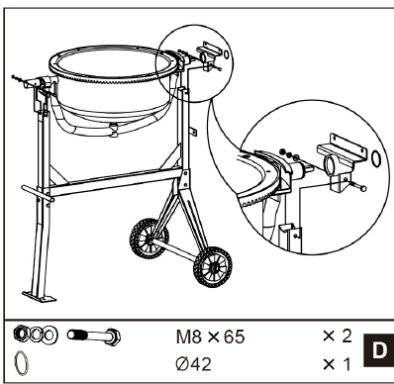
IV.



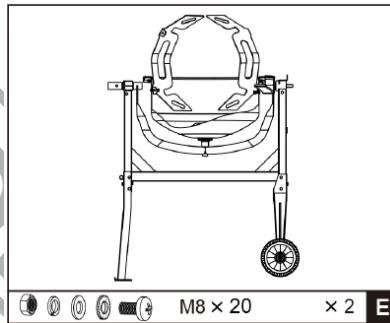
V.



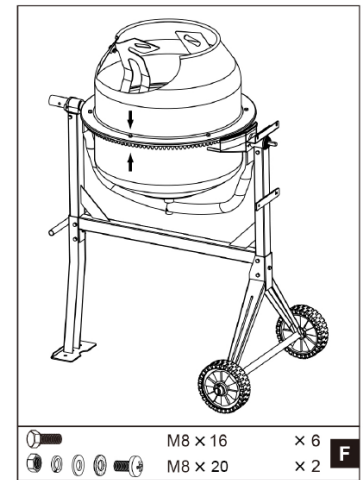
VI.



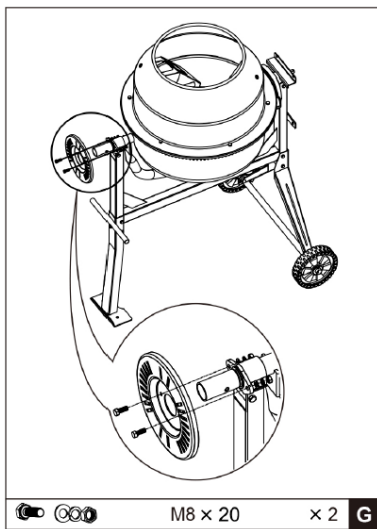
VII.



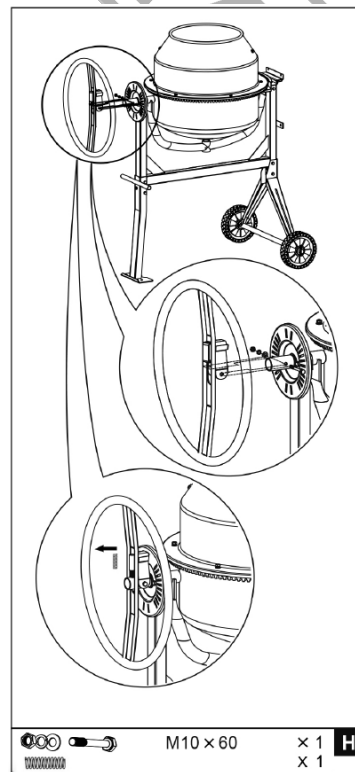
VIII.



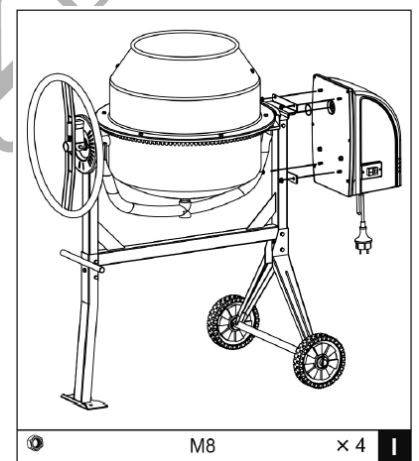
IX.



X.



XI.



XII.

## SAFETY PRECAUTIONS



Read and understand the user's manual and all labels affixed to the concrete mixer. Learn the machine's application and limitations as well as the potential hazards from using it. Become familiar with all controls before operating this mixer.



### Personal safety

Do not operate the mixer while under the influence of alcohol, any medication or other substances that could affect your ability to use it properly.

Do not use this mixer when you are tired or distracted from the job at hand. Watch what you are doing at all times. Use common sense.

Dress properly. Do not wear loose clothing, gloves, necklaces or jewelry. They can be caught in moving parts and lead to injury.

You are strongly advised to wear protective electrical insulated gloves and non slip footwear when using the mixer.

Wear protective hair covering to contain long hair, to prevent it from getting caught in machinery.

Wear a face or dust mask if you are working in dusty conditions.

Always wear safety goggles and/or face shields. Common glasses do not have impact resistant lenses. They are not safety glasses.



### Work area safety

Make sure there is adequate surrounding workspace.

Keep your work area clean and well lighted. Cluttered areas invite injuries. Keep the area around the mixer clear of obstructions, grease, oil and other debris.

Only use or operate the mixer on solid, flat, level ground that can support the weight of the mixer and its load to prevent the mixer from tipping over.

Do not attempt to move the mixer when it is loaded and/or in operation.

Keep unauthorized people and bystanders away from the mixer.

Do not allow children to handle or climb on the mixer.

### Electrical safety

Do not abuse the power cord. Never carry mixer by cord or yank it to disconnect it from socket. Keep cord away from heat, oil and sharp edges.

Make sure that the electrical circuit is adequately protected and that it corresponds to the power, voltage and frequency of the motor.

Incorrect use of extension cables can lead to improper operation of the mixer, overheating and damage of the motor.

Extension cables may not exceed 50 metres in length. The cable cross-section should be 1,5 mm<sup>2</sup> at 230 V to allow sufficient current flow to the motor.

Only use extension cords intended for outdoor use that follow the H07RN-F specifications.

Ensure that any extension cable connections are dry and secure. Avoid the use of loose and insufficiently insulated connections. Connections must be made with materials suitable for outdoor use.

Ensure that the extension cable is carefully positioned, avoiding wet spots, sharp edges and spots where vehicles may pass through.

Avoid trapping the extension cable under the mixer.

Be sure to completely unwind the extension cord to avoid overheating and the risk of fire.

Do not plug or unplug the mixer while on or around wet or damp ground. Do not operate the mixer in wet or damp areas and do not expose it to rain.

Avoid body contact with grounded surfaces: pipes, radiators, hobs and refrigerator housings.

Make sure that your fingers do not touch the metal parts of the plug when connecting or disconnecting the mixer from the power outlet.



### General safety precautions

Check your mixer thoroughly before turning it on.

Check all bolts, nuts, and screws for tightness before each use, especially those securing guards and drive mechanisms. Vibration during mixing may cause them to loosen. Keep guards in place and in working order. Replace damaged, missing or failed parts before using the mixer.

Do not plug the mixer in with the motor cover off.

Always check that all the adjusting tools, shovels, hand trowels and other tools/equipments are removed from the mixer area before turning the machine on.

Warning labels carry important information. Contact your local dealer to replace missing or damaged warning labels.



### Concrete mixer safety precautions

Do not overreach. Keep proper footing and balance at all times when loading or unloading the mixer.  
 Never lean or stand on mixer. Serious injury could occur if the mixer is tipped or if the moving parts are unintentionally contacted.  
 Do not store anything above or near the mixer where someone has to stand on the mixer to reach it.  
 Keep hands out of the way of all moving parts. Do not place any part of your body or any tool, like shovel in the drum during operation.  
 When operating, do not pass hands through the gaps between the frame or the drum and the support arm.  
 Do not force the mixer. Always work within the rated capacity. The mixer will do a better and safer job at its design rate.  
 This mixer is intended for the production of concrete, mortar and plaster. Do not use the mixer for a purpose for which it was not intended.  
 The mixer is not suitable for the mixing of flammable or explosive substances. Do not use it in areas where fumes from paint, solvents or flammable liquids pose a potential hazard.  
 Do not start the motor if the drum is fully loaded.  
 Do not turn the mixer off while the drum is full of concrete.  
 Never leave the mixer running unattended. Stay near the machine until it has come to a complete stop when turning it off.  
 Disconnect from power supply when not in use, before moving, making adjustments, changing parts, cleaning, or working on the mixer.  
 Never open the motor cover before unplugging the mixer.  
 The mixer is not to be towed by any vehicle.

### Maintenance and storage

Maintain your mixer with care. Clean the mixer immediately after use. Keep the mixer clean for best and safest performance.  
 Any service work must be performed only by qualified repair personnel. Service or maintenance by unqualified personnel could result in a risk of injury.  
 When servicing a tool, use only identical replacement parts and follow the instructions in the manual.  
 When not in use, the mixer should be stored in a dry location to inhibit rust. Store the mixer away from children and persons not qualified to use it.



### Environmental disposal

Dispose of any remaining materials at an authorised collection point or follow the regulations of the country where the mixer is used.  
 Do not dispose of materials down the drain, on the ground or in water.

## SPECIFICATIONS

Technical Data		
Model	BMX1205	BMX1410
Power	550W	650W
Drum capacity	125L	140L
Drum thickness upper/lower	1.1/1.7mm	1.1/1.7mm
Drum diameter	570mm	570mm
Drum mouth diameter	380mm	380mm
Ring gear & cogwheel material	Cast iron	Cast iron
Thermal protection	130°	130°
Protection level	IP44	IP44
Weight	50Kg	51Kg

### Electrical connection

This mixer is double insulated (Protection class II) and has a protection rating of IP44.

Double insulation eliminates the need for a three-wire grounded power cord and grounded power supply system. Tools with double insulation can use either a two or three wire extension cable.

The insulation will only remain effective if original parts are used for future repairs.

**CAUTION!** Do not connect either cords to the earth pin.

The use of a Residual Current Device (RCD) on a 230V circuit is recommended.

\* The manufacturer reserves the right to make minor changes to product design and technical specifications without prior notice unless these changes significantly affect the performance and safety of the products. The parts described / illustrated in the pages of the manual that you hold in your hands may also concern other models of the manufacturer's product line with similar features and may not be included in the product you just acquired.

\* To ensure the safety and reliability of the product and the warranty validity, all repair, inspection, repair or replacement work, including maintenance and special adjustments, must only be carried out by technicians of the authorized service department of the manufacturer.

\* Always use the product with the supplied equipment. Operation of the product with non-provided equipment may cause malfunctions or even serious injury or death. The manufacturer and the importer shall not be liable for injuries and damages resulting from the use of non-conforming equipment.

## ASSEMBLY



It is recommended that two people assist in assembling the machine.

**Make sure you can identify all the parts appearing on Images I. and II. and assemble the concrete mixer following the instructions.**

### Stand (Images IV, V, VI)

1. With a split pin inserted into the inner holes in each stub axle, place a flat washer, then a wheel followed by another flat washer. Insert another split pin into the axle holes outside each flat washer. Bend each side of the pins outward so they do not fall out. (Image IV)
2. With the frame lying on its side, attach the support leg as shown. Insert two M8X70 hex bolts through the holes from one side, then flat washers, lock washers and nuts from the other side. (Image V)
3. Turn the frame over and attach the axle bracket with wheels in the same manner. (Image VI)
4. Make sure all bolts and nuts are tightened.

### Bottom drum (Image VII)

1. Slide the bearing block on the shaft. Hold it in place with 42cm spiral ring.
2. Carefully, and with two people, set the bottom drum with support arm onto the side supports of the stand as shown, so that the bearing blocks slot into the channels provided by the side supports. The larger diameter shaft should be at the leg end of the stand.
3. At each side, line up the holes in the side support with those in the bearing block and insert a M8X65 hex bolt from one side, then a flat washer, lock washer and nut from the other side. Tighten with a wrench.

### Mixing blades (Image VIII)

Mount the mixing blades inside the bottom drum loosely as shown. Two holes are provided at the base of the drum into which a M8X16 bolt may be inserted from the outside. A leather washer, flat washer, lock washer and a nut should be threaded on loosely on the inside. The leather washer should be placed under the blade down against the drum.

**NOTE:** Two arrows are positioned on the upper drum and bottom drum to mark their place. If you have any difficulty in correctly positioning the mixing blades, temporarily mount the upper drum on the top of the bottom drum, and rotate it so that the two arrows line up.

### Upper drum (Image IX)

1. Position the upper drum on bottom drum over the rim, making sure the mounting holes align in both as well as the labeled arrows.
2. Screw a M8X16 hex bolt with lock and flat washers into each threaded hole in the rim/ring gear. Make sure the tightening process is carried out progressively.
3. Secure the mixing blades to the upper drum by inserting two M8X16 cross headed screws, from the outside through the holes in the drum.
4. A leather washer should be positioned inside between the drum and blade. Secure the mixing blade on the inside using a flat washer, spring washer and nut.
5. Finally, ensure top and bottom mixing blade mountings are tight.

### Tipping wheel (Images X, XI)

1. Slide the locking plate over the large diameter shaft at the leg end of the frame with the rim facing inwards as shown. Secure with two M8X20 bolts, each with a nut, lock and flat washers. (Image X)
2. The spring is clamped in its holder by a U shaped plate for easier assembly. Slide the wheel over the larger diameter shaft until the holes in the bracket line up with the hole drilled. Insert a M10X60 hex bolt and screw on a nut with flat and lock washers from the other side. Screw the nut up against the bracket firmly, but not so tightly so as to prevent the wheel from pivoting about the bolt. Free the spring by removing the U shaped plate. (Image XI)

**NOTE:** The wheel must be allowed to pivot about the bolt so that the lugs on the bracket can be engaged or disengaged from the slots in the locking plate.

### Transmission case (Image XII)

Lining up the keyways, slide the transmission case over the pinion shaft. Secure the case to the frame with four M8 nuts.

## OPERATION

### Drum tilting

The spring-loaded tipping wheel with locking lugs provides an easy positive control of the drum which can be locked in the mix, discharge and stored position. The drum is locked in position by lugs on the self-locating tipping wheel which engage into the locking plate on the mixer frame. To tilt the drum, withdraw the tipping wheel to disengage the locking lugs. This then allows the tipping wheel and drum to be turned in the same direction.

To retain the drum in position, aligning the lugs with the slots, release the tipping wheel a little while retaining the drum. Rotate the tipping wheel until the locking lugs engage into the locking plate on the mixer frame.



Completely unwind the extension cord. Connect it to the concrete mixer first before plugging in power supply.



Always start the mixer before loading the drum. Load the mixer with the drum rotating.



Do not throw material into the mixer to avoid sticking firmly to the back of the drum. Trickle it steadily over the ram.

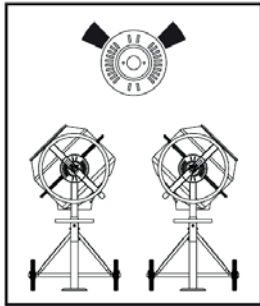


A built-in thermal protector exists in the motor to prevent it from overheating. The thermal protector resets automatically when the motor cools down.

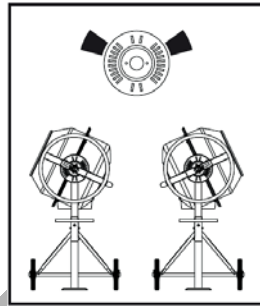
### Loading / Emptying

For best results, proceed as follows:

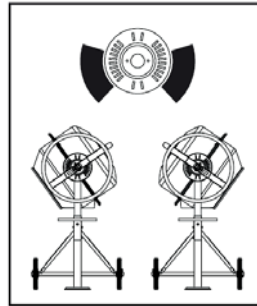
1. Add the required amount of gravel into the drum.
2. Add the required amount of cement into the drum.
3. Add the required amount of sand into the drum.
4. Pour the required amount of water into the drum.



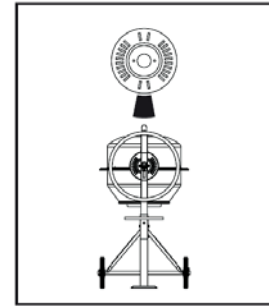
Loading / Mixing position  
Mortar



Loading / Mixing position  
Concrete



Emptying position



Storage position



Do not turn mixer off while full of load. Empty the drum while it is rotating.



Never put arms or hands inside a rotating drum.

### Cleaning

Thoroughly clean the mixer at the end of each operation. Always keep your mixer clean between operations. The slightest trace of material left on the drum will harden and build up every time you use the machine until it is no longer functional.

Dried cement should be carefully scraped out of the drum. Do not use a shovel, a hammer or other tools to forcefully break up accumulations of dried cement mix in the drum, as they might seriously damage the mixer.

The drum may be cleansed for approximate 2 minutes, using a gravel and water mixture. After discharging the gravel/water mixture, hose down the drum assembly inside and out. The IP44 protection of the mixer, enables you to freely use water on the drum assembly safely.



Do not pour or spray water directly over the motor cover. Be especially careful not to let water leak through the ventilation openings.



Wipe the motor cover with a dry cloth. Do not use gasoline, turpentine or paint thinner, dry cleaning fluids or similar products when cleaning the mixer. The use of chemical products or solvents may affect the properties of the cover which was made of High Density Poly-Ethylene (PET).

## MAINTENANCE



Ensure the extension cord is always unplugged before the motor cover is removed.

The drive belt is under constant and even tension from a spring-loaded jockey. No adjustment needed other than a little lubricant on the shaft once in a while. The bearings are sealed for life.



The wiring diagram (Image III) and component diagram in this manual are for reference purposes only. Neither the manufacturer nor the distributor makes any warranty to the purchaser that the purchaser is qualified to make any repairs to the product or that the purchaser is qualified to replace any components of the product. Only qualified technicians should repair the mixer.

Any maintenance and repair performed on any of the electrical components must be performed by a qualified electrician.

## MESURES DE SÉCURITÉ



Lisez et comprenez le manuel de l'utilisateur et toutes les étiquettes affixées à la bétonnière. Apprenez l'application et les limites de la machine ainsi que les dangers potentiels de son utilisation. Familiarisez-vous avec toutes les commandes avant d'utiliser cette bétonnière.



### Sécurité personnelle

N'utilisez pas le mélangeur sous l'influence de l'alcool, de tout médicament ou de toute autre substance qui pourrait affecter votre capacité à l'utiliser correctement. N'utilisez pas ce mélangeur lorsque vous êtes fatigué ou distrait du travail à effectuer. Faites attention à ce que vous faites à tout moment. Faites preuve de bon sens. Habillez-vous correctement. Ne portez pas de vêtements amples, de gants, de cravates ou de bijoux. Ils peuvent se prendre dans les pièces mobiles et entraîner des blessures. Il est fortement conseillé de porter des gants de protection isolés électriquement et des chaussures antidérapantes lors de l'utilisation du mixeur. Portez un couvre-chef pour contenir les cheveux longs, afin d'éviter qu'ils ne se prennent dans les machines. Portez un masque facial ou un masque anti-poussière si vous travaillez dans des conditions poussiéreuses. Portez toujours des lunettes de sécurité et/ou des écrans faciaux. Les lunettes ordinaires n'ont pas de verres résistants aux chocs. Elles ne sont pas des lunettes de sécurité.



### Sécurité de la zone de travail

Assurez-vous que l'espace de travail environnant est suffisant. Gardez votre zone de travail propre et bien éclairée. Les zones encombrées sont propices aux blessures. Gardez la zone autour du mélangeur libre de toute obstruction, graisse, huile et autres débris. N'utilisez ou ne faites fonctionner le mélangeur que sur un sol solide, flat, de niveau et capable de supporter le poids du mélangeur et de sa charge pour éviter que le mélangeur ne bascule. N'essayez pas de déplacer le mélangeur lorsqu'il est chargé et/ou en fonctionnement. Tenez les personnes non autorisées et les spectateurs à l'écart du mélangeur. Ne laissez pas les enfants manipuler ou monter sur le mélangeur.

### Sécurité électrique

Ne pas abuser du cordon d'alimentation. Ne jamais porter le mélangeur par le cordon ou tirer dessus pour le débrancher de la prise. Maintenez le cordon à l'écart de la chaleur, de l'huile et des bords tranchants. Assurez-vous que le circuit électrique est correctement protégé et qu'il correspond à la puissance, au voltage et à la fréquence du moteur. Une utilisation incorrecte des câbles de rallonge peut entraîner un mauvais fonctionnement du mélangeur, une surchauffe et un endommagement du moteur. La longueur des câbles de rallonge ne doit pas dépasser 50 mètres. La section du câble doit être de 1,5 mm<sup>2</sup> à 230 V pour permettre un suffisant courant flow au moteur. N'utilisez que des rallonges destinées à un usage extérieur et conformes aux spécifications H07RN-F. Assurez-vous que les connexions des câbles d'extension sont sèches et sûres. Évitez l'utilisation de connexions lâches et insuffisamment isolées. Les connexions doivent être réalisées avec des matériaux adaptés à une utilisation en extérieur. Veillez à ce que le câble de rallonge soit soigneusement positionné, en évitant les endroits humides, les bords tranchants et les endroits où des véhicules peuvent passer. Évitez de coincer la rallonge sous le mélangeur. Veillez à dérouler complètement la rallonge pour éviter toute surchauffe et tout risque d'incendie. Ne pas brancher ou débrancher le mélangeur lorsqu'il se trouve sur ou à proximité d'un sol mouillé ou humide. Ne faites pas fonctionner le mélangeur dans des zones humides ou mouillées et ne l'exposez pas à la pluie. Évitez tout contact du corps avec des surfaces mises à la terre : tuyaux, radiateurs, plaques de cuisson et boîtiers de réfrigérateur. Veillez à ce que vos doigts ne touchent pas les parties métalliques de la fiche lorsque vous branchez ou débranchez le mélangeur de la prise de courant.



### Précautions générales de sécurité

Vérifiez soigneusement votre mélangeur avant de le mettre en marche. Vérifiez le serrage de tous les boulons, écrous et vis avant chaque utilisation, en particulier ceux qui fixent les protections et les mécanismes d'entraînement. Les vibrations pendant le malaxage peuvent les faire se desserrer. Maintenez les protections en place et en état de marche. Remplacez les pièces endommagées, manquantes ou défectueuses avant d'utiliser le mélangeur. Ne pas brancher le mélangeur avec le couvercle du moteur enlevé. Vérifiez toujours que tous les outils de réglage, pelles, truelles à main et autres outils/équipements sont retirés de la zone du malaxeur avant de mettre la machine en marche. Les étiquettes d'avertissement portent des informations importantes. Contactez votre revendeur local pour remplacer les étiquettes d'avertissement manquantes ou endommagées.





### Précautions de sécurité pour les bétonnières

Ne vous penchez pas trop. Gardez un bon pied et un bon équilibre à tout moment lorsque vous chargez ou déchargez le mélangeur.

Ne jamais s'appuyer ou se tenir debout sur le mélangeur. Des blessures graves pourraient se produire si le mélangeur est renversé ou si les pièces mobiles sont involontairement touchées.

Ne rangez rien au-dessus ou à proximité du mélangeur de façon à ce que quelqu'un doive se tenir debout sur le mélangeur pour l'atteindre.

Gardez les mains à l'écart de toutes les pièces mobiles. Ne placez aucune partie de votre corps ni aucun outil, comme une pelle, dans le tambour pendant le fonctionnement.

Lors du fonctionnement, ne pas passer les mains dans les interstices entre le châssis ou le tambour et le bras de support.

Ne forcez pas le mélangeur. Travaillez toujours dans les limites de la capacité nominale. Le mélangeur fera un travail meilleur et plus sûr à sa capacité nominale.

Ce mélangeur est destiné à la production de béton, de mortier et de plâtre. N'utilisez pas le mélangeur à des fins pour lesquelles il n'a pas été conçu.

Le mélangeur ne convient pas pour le mélange de substances inflammables ou explosives. Ne l'utilisez pas dans les zones où les émanations de peinture, de solvants ou de liquides inflammables présentent un risque potentiel.

Ne démarrez pas le moteur si le tambour est entièrement chargé.

Ne tournez pas le mélangeur off le tambour est plein de béton.

Ne laissez jamais le mélangeur en marche sans surveillance. Restez près de la machine jusqu'à son arrêt complet lorsque vous l'éteignez.

Débranchez l'appareil lorsqu'il n'est pas utilisé, avant de le déplacer, d'effectuer des réglages, de changer des pièces, de le nettoyer ou de travailler sur le mélangeur.

N'ouvrez jamais le couvercle du moteur avant de débrancher le mélangeur.

Le mélangeur ne doit pas être remorqué par un véhicule quelconque.

### Entretien et stockage

Entretenez votre batteur avec soin. Nettoyez le mélangeur immédiatement après utilisation. Gardez le mélangeur propre pour une performance optimale et sûre. Toute opération d'entretien doit être effectuée uniquement par du personnel de réparation qualifié. L'entretien par un personnel non qualifié pourrait entraîner un risque de blessure.

Lors de l'entretien d'un outil, utilisez uniquement des pièces de rechange identiques et suivez les instructions du manuel.

Lorsqu'il n'est pas utilisé, le mélangeur doit être stocké dans un endroit sec pour empêcher la rouille. Rangez le mélangeur hors de portée des enfants et des personnes non qualifiées pour l'utiliser.



### Élimination environnementale

Jetez les matériaux restants dans un point de collecte autorisé ou suivez les réglementations du pays où le mélangeur est utilisé.

Ne pas jeter les matériaux dans les égouts, sur le sol ou dans l'eau.

## SPÉCIFICATIONS

Données techniques		
Modèle	BMX1205	BMX1410
Puissance	550W	650W
Capacité du tambour	125L	140L
Épaisseur du tambour supérieur/inférieur	1,1/1,7 mm	1,1/1,7mm
Diamètre du tambour	570mm	570mm
Diamètre de la bouche du tambour	380mm	380mm
Matériau de la couronne et de la roue dentée	Fonte	Fonte
Protection thermique	130°	130°
Niveau de protection	IP44	IP44
Poids	50Kg	51Kg

### Connexion électrique

Ce mélangeur est doublement isolé (classe de protection II) et a un indice de protection IP44.

La double isolation élimine la nécessité d'un cordon d'alimentation à trois fils et d'un système d'alimentation mis à la terre. Les outils à double isolation peuvent utiliser une rallonge à deux ou trois fils.

L'isolation ne restera effective que si des pièces d'origine sont utilisées pour les réparations futures.

**ATTENTION !** Ne connectez aucun des deux cordons à la broche de terre.

L'utilisation d'un dispositif à courant résiduel (RCD) sur un circuit 230V est recommandée.

\* Le fabricant se réserve le droit d'apporter des modifications mineures à la conception et aux spécifications techniques des produits sans préavis, à moins que ces modifications n'affectent de manière significative les performances et la sécurité des produits. Les pièces décrites / illustrées dans les pages du manuel que vous tenez entre vos mains peuvent également concerner d'autres modèles de la gamme de produits du fabricant ayant des caractéristiques similaires et peuvent ne pas être incluses dans le produit que vous venez d'acquérir.

\* Pour garantir la sécurité et la fiabilité du produit et la validité de la garantie, tous les travaux de réparation, d'inspection, de réparation ou de remplacement, y compris l'entretien et les réglages spéciaux, doivent être effectués uniquement par des techniciens du service après-vente agréé du fabricant.

\* Utilisez toujours le produit avec l'équipement fourni. L'utilisation du produit avec un équipement non fourni peut entraîner des dysfonctionnements, voire des blessures graves ou la mort. Le fabricant et l'importateur ne sont pas responsables des blessures et des dommages résultant de l'utilisation d'un équipement non conforme.

## ASSEMBLAGE



Il est recommandé que deux personnes aident à assembler la machine.

Assurez-vous que vous pouvez identifier toutes les pièces apparaissant sur les images I. et II. et assemblez la bétonnière en suivant les instructions.

### Stand (Images IV, V, VI)

1. Avec une goupille fendue insérée dans les trous intérieurs de chaque fusée d'essieu, placez une rondelle plate, puis une roue suivie d'une autre rondelle plate. Insérez une autre goupille fendue dans les trous de l'essieu à l'extérieur de chaque rondelle plate. Pliez chaque côté des goupilles vers l'extérieur afin qu'elles ne tombent pas. (Image IV)
2. Le cadre étant couché sur le côté, fixez la béquille comme indiqué. Insérez deux boulons hexagonaux M8X70 dans les trous d'un côté, puis des rondelles plates, des rondelles de blocage et des écrous de l'autre côté. (Image V)
3. Retournez le cadre et fixez le support d'essieu avec les roues de la même manière. (Image VI)
4. Assurez-vous que tous les boulons et écrous sont serrés.

### Tambour inférieur (Image VII)

1. Faites glisser le bloc de roulement sur l'arbre. Maintenez-le en place avec la bague spirale de 42 cm.
2. Avec précaution et à l'aide de deux personnes, placez le tambour inférieur avec le bras de support sur les supports latéraux du support comme indiqué, de sorte que les blocs de roulement s'insèrent dans les canaux fournis par les supports latéraux. L'arbre de plus grand diamètre doit se trouver à l'extrémité du pied du support.
3. De chaque côté, alignez les trous du support latéral avec ceux du bloc de roulement et insérez un boulon hexagonal M8X65 d'un côté, puis une rondelle flat, une rondelle de blocage et un écrou de l'autre côté. Serrez à l'aide d'une clé.

### Lames de mélange (Image VIII)

Montez les pales de mélange à l'intérieur du tambour inférieur sans les serrer, comme indiqué. Deux trous sont prévus à la base du tambour dans lesquels un boulon M8X16 peut être inséré depuis l'extérieur. Une rondelle en cuir, une rondelle flat, une rondelle de blocage et un écrou doivent être vissés sans serrer à l'intérieur. La rondelle en cuir doit être placée sous la lame, contre le tambour.

**REMARQUE** : Deux flèches sont placées sur le tambour supérieur et le tambour inférieur pour marquer leur emplacement. Si vous avez des difficultés à positionner correctement les lames de mélange, montez temporairement le tambour supérieur sur le dessus du tambour inférieur, et faites-le tourner de façon à ce que les deux flèches soient alignées.

### Tambour supérieur (Image IX)

1. Positionnez le tambour supérieur sur le tambour inférieur par-dessus la jante, en veillant à ce que les trous de montage soient alignés dans les deux ainsi que les flèches marquées.
2. Vissez un boulon hexagonal M8X16 avec des rondelles de blocage et de flat dans chaque trou fileté de l'engrenage jante/anneau. Veillez à ce que le serrage soit effectué de manière progressive.
3. Fixez les pales de mélange au tambour supérieur en insérant deux vis à tête cruciforme M8X16, de l'extérieur à travers les trous du tambour.
4. Une rondelle en cuir doit être positionnée à l'intérieur entre le tambour et la lame. Fixez la lame de mélange à l'intérieur à l'aide d'une rondelle de flat, d'une rondelle élastique et d'un écrou.
5. Enfin, assurez-vous que les fixations supérieures et inférieures des pales de mélange sont bien serrées.

### Roue à bascule (Images X, XI)

1. Faites glisser la plaque de verrouillage sur l'arbre de grand diamètre à l'extrémité de la jambe du cadre, le rebord étant tourné vers l'intérieur, comme indiqué. Fixez avec deux boulons M8X20, chacun avec un écrou, des rondelles de blocage et des rondelles plates. (Image X)
  2. Le ressort est serré dans son support par une plaque en forme de U pour faciliter le montage. Faites glisser la roue sur l'arbre de plus grand diamètre jusqu'à ce que les trous du support soient alignés avec le trou percé. Insérez un boulon hexagonal M10X60 et vissez un écrou avec des rondelles plates et de blocage de l'autre côté. Vissez fermement l'écrou contre le support, mais pas trop fort pour empêcher la roue de pivoter autour du boulon. Libérez le ressort en retirant la plaque en U. (Image XI)
- REMARQUE** : La roue doit pouvoir pivoter autour du boulon pour que les ergots du support puissent être engagés ou désengagés des fentes de la plaque de verrouillage.

### Boîtier de transmission (Image XII)

En alignant les clavettes, faites glisser le carter de transmission sur l'arbre du pignon. Fixez le boîtier au châssis à l'aide de quatre écrous M8.

## OPERATION

### Inclinaison du tambour

La roue basculante à ressort avec ergots de verrouillage permet un contrôle positif facile du tambour qui peut être verrouillé en position de mélange, de décharge et de stockage. Le tambour est verrouillé en position par les ergots de la roue basculante auto-positionnable qui s'engagent dans la plaque de verrouillage du châssis du mélangeur. Pour faire basculer le tambour, il faut retirer la roue basculante pour désengager les ergots de verrouillage. Cela permet ensuite de tourner la roue basculante et le tambour dans le même sens.

Pour maintenir le tambour en position, en alignant les ergots avec les fentes, relâchez un peu la roue basculante tout en retenant le tambour. Faites tourner la roue basculante jusqu'à ce que les ergots de verrouillage s'engagent dans la plaque de verrouillage du châssis du mélangeur.



Déroulez complètement la rallonge électrique. Branchez-la d'abord à la bétonnière avant de brancher l'alimentation électrique.



Démarrez toujours le mélangeur avant de charger le tambour. Chargez le mélangeur avec le tambour en rotation.



Ne jetez pas le matériau dans le mélangeur pour éviter qu'il ne colle fermement à l'arrière du tambour. Faites-le ruisseler régulièrement sur le bélier.

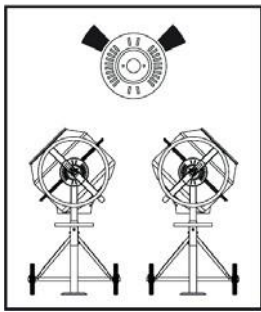


Le moteur est doté d'un protecteur thermique intégré qui l'empêche de surchauffer. Le protecteur thermique se réinitialise automatiquement lorsque le moteur se refroidit.

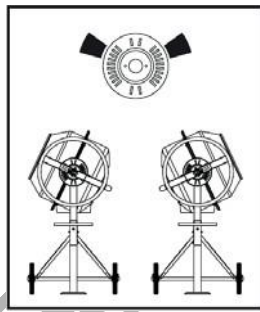
### Chargement / Vidage

Pour obtenir les meilleurs résultats, procédez comme suit :

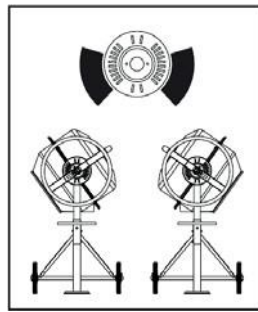
1. Ajoutez la quantité requise de gravier dans le tambour.
2. Ajoutez la quantité requise de ciment dans le tambour.
3. Ajoutez la quantité de sable nécessaire dans le tambour.
4. Versez la quantité d'eau nécessaire dans le tambour.



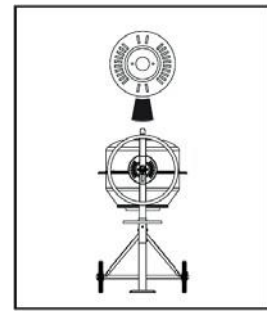
Position de chargement/mélange du mortier



Position de chargement/mélange du béton



Position de vidage



Position de stockage



Ne faites pas tourner le mélangeur off il est plein de charge. Videz le tambour pendant qu'il est en rotation.



Ne mettez jamais les bras ou les mains à l'intérieur d'un tambour en rotation.

### Nettoyage

Nettoyez soigneusement le mélangeur à la fin de chaque opération. Gardez toujours votre mélangeur propre entre les opérations. La moindre trace de matériau laissée sur le tambour durcira et s'accumulera chaque fois que vous utiliserez la machine jusqu'à ce qu'elle ne soit plus fonctionnelle.

Le ciment séché doit être soigneusement gratté hors du tambour. N'utilisez pas de pelle, de marteau ou d'autres outils pour briser avec force les accumulations de mélange de ciment sec dans le tambour, car ils pourraient sérieusement endommager le mélangeur.

Le tambour peut être nettoyé pendant environ 2 minutes, en utilisant un mélange de gravier et d'eau. Après avoir évacué le mélange gravier/eau, nettoyez le tambour au jet d'eau à l'intérieur et à l'extérieur. La protection IP44 du mélangeur vous permet d'utiliser librement de l'eau sur le tambour en toute sécurité.



Ne versez pas ou ne vaporisez pas d'eau directement sur le couvercle du moteur. Faites particulièrement attention à ne pas laisser l'eau s'écouler par les ouvertures de ventilation.



Essuyez le couvercle du moteur avec un chiffon sec. N'utilisez pas d'essence, de térébenthine ou de diluant pour peinture, de liquide de nettoyage à sec ou de produits similaires pour nettoyer le mélangeur. L'utilisation de produits chimiques ou de solvants peut affecter les propriétés du couvercle qui a été fabriqué en polyéthylène haute densité (PET).

## ENTRETIEN



Assurez-vous que la rallonge est toujours débranchée avant de retirer le couvercle du moteur.

La courroie d'entraînement est soumise à une tension constante et régulière par un jockey à ressort. Aucun réglage n'est nécessaire, si ce n'est un peu de lubrifiant sur l'arbre de temps en temps. Les roulements sont scellés à vie.



Le schéma de câblage (Image III) et le diagramme des composants de ce manuel ne sont donnés qu'à titre de référence. Ni le fabricant ni le distributeur ne garantissent à l'acheteur que celui-ci est qualifié pour effectuer des réparations sur le produit ou qu'il est qualifié pour remplacer des composants du produit. Seuls des techniciens qualifiés doivent réparer le mélangeur.

Tout entretien et toute réparation effectués sur l'un des composants électriques doivent être réalisés par un électricien qualifié.

## PRECAUZIONI DI SICUREZZA



Leggere e comprendere il manuale d'uso e tutte le etichette apposte sulla betoniera. Imparare a conoscere le applicazioni e le limitazioni della macchina, nonché i potenziali rischi derivanti dal suo utilizzo. Acquisire familiarità con tutti i comandi prima di utilizzare la betoniera.



### Sicurezza personale

Non utilizzare il mescolatore sotto l'effetto di alcol, farmaci o altre sostanze che potrebbero compromettere la capacità di utilizzarlo correttamente. Non utilizzare il mescolatore quando si è stanchi o distratti dal lavoro da svolgere. Fare attenzione a ciò che si fa in ogni momento. Usare il buon senso. Vestirsi in modo adeguato. Non indossare abiti larghi, guanti, cravatte o gioielli. Possono impigliarsi nelle parti in movimento e causare lesioni. Si consiglia vivamente di indossare guanti protettivi isolati elettricamente e calzature antiscivolo quando si utilizza il mescolatore. Indossare una protezione per i capelli lunghi, per evitare che si impiglino nei macchinari. Indossare una maschera facciale o antipolvere se si lavora in condizioni polverose. Indossare sempre occhiali di sicurezza e/o schermi facciali. Gli occhiali comuni non hanno lenti resistenti agli urti. Non sono occhiali di sicurezza.



### Sicurezza dell'area di lavoro

Assicurarsi che lo spazio di lavoro circostante sia adeguato. Mantenete l'area di lavoro pulita e ben illuminata. Le aree ingombre favoriscono gli infortuni. Mantenete l'area intorno al mescolatore libera da ostacoli, grasso, olio e altri detriti. Utilizzate o fate funzionare il mescolatore solo su un terreno solido, livellato e in grado di sostenere il peso del mescolatore e del suo carico, per evitare che si ribalti. Non tentare di spostare il mescolatore quando è carico e/o in funzione. Tenere lontano dal mescolatore le persone non autorizzate e gli astanti. Non permettere ai bambini di maneggiare o salire sul mescolatore.

### Sicurezza elettrica

Non abusare del cavo di alimentazione. Non trasportare mai il mescolatore per il cavo e non strattarlo per staccarlo dalla presa. Tenere il cavo lontano da calore, olio e bordi taglienti. Assicurarsi che il circuito elettrico sia adeguatamente protetto e che corrisponda alla potenza, alla tensione e alla frequenza del motore. L'uso improprio dei cavi di prolunga può causare un funzionamento non corretto del mescolatore, il surriscaldamento e il danneggiamento del motore. La lunghezza dei cavi di prolunga non deve superare i 50 metri. La sezione del cavo deve essere di 1,5 mm<sup>2</sup> a 230 V per consentire un flusso di corrente sufficiente al motore. Utilizzare solo cavi di prolunga destinati all'uso esterno e conformi alle specifiche H07RN-F. Assicurarsi che i collegamenti dei cavi di prolunga siano asciutti e sicuri. Evitare l'uso di collegamenti allentati e non sufficientemente isolati. I collegamenti devono essere realizzati con materiali adatti all'uso esterno. Assicurarsi che il cavo di prolunga sia posizionato con cura, evitando i punti umidi, i bordi taglienti e i punti in cui possono passare i veicoli. Evitare di intrappolare il cavo di prolunga sotto il mescolatore. Assicurarsi di srotolare completamente la prolunga per evitare il surriscaldamento e il rischio di incendio. Non collegare o scollegare il mescolatore su terreni umidi o bagnati. Non utilizzare il mescolatore in ambienti umidi o bagnati e non esporlo alla pioggia. Evitare il contatto del corpo con le superfici collegate a terra: tubi, radiatori, piani di cottura e alloggiamenti dei frigoriferi. Assicuratevi che le vostre dita non tocchino le parti metalliche della spina quando collegate o scollegate il mescolatore dalla presa di corrente.



### Precauzioni di sicurezza generali

Controllare accuratamente il mescolatore prima di accenderlo. Prima di ogni utilizzo, verificare il serraggio di tutti i bulloni, dadi e viti, in particolare quelli che fissano le protezioni e i meccanismi di azionamento. Le vibrazioni durante la miscelazione possono causare l'allentamento. Mantenere le protezioni in posizione e in ordine. Sostituire le parti danneggiate, mancanti o guaste prima di utilizzare il mescolatore. Non collegare il mescolatore con il coperchio del motore smontato. Prima di accendere la macchina, verificare sempre che tutti gli strumenti di regolazione, le pale, le cazzuole manuali e altri utensili/attrezzature siano stati rimossi dall'area del mescolatore. Le etichette di avvertenza contengono informazioni importanti. Contattare il rivenditore locale per sostituire le etichette di avvertenza mancanti o danneggiate.



### Precauzioni di sicurezza per le betoniere

Non sporgersi eccessivamente. Mantenere sempre l'equilibrio e l'appoggio corretto durante le operazioni di carico e scarico del mescolatore.

Non appoggiarsi mai al mescolatore. In caso di ribaltamento del mescolatore o di contatto involontario con le parti mobili, si possono verificare gravi lesioni.

Non riporre sopra o vicino al mescolatore oggetti che richiedano di stare in piedi sul mescolatore per raggiungerlo.

Tenere le mani lontane da tutte le parti in movimento. Non inserire alcuna parte del corpo o alcun attrezzo, come una pala, nel tamburo durante il funzionamento.

Durante il funzionamento, non far passare le mani attraverso gli spazi tra il telaio o il tamburo e il braccio di supporto.

Non forzare il mescolatore. Lavorare sempre entro la capacità nominale. Il mescolatore lavorerà meglio e in modo più sicuro alla sua portata nominale.

Questo mescolatore è destinato alla produzione di calcestruzzo, malta e gesso. Non utilizzare il mescolatore per scopi diversi da quelli per cui è stato concepito.

Il mescolatore non è adatto alla miscelazione di sostanze infiammabili o esplosive. Non utilizzarlo in aree in cui i fumi di vernici, solventi o liquidi infiammabili rappresentano un potenziale pericolo.

Non avviare il motore se il tamburo è completamente carico.

Non girare il mescolatore quando il tamburo è pieno di calcestruzzo.

Non lasciare mai il mescolatore in funzione senza sorveglianza. Rimanere nelle vicinanze della macchina finché non si è arrestata completamente quando la si gira.

Scollegare l'alimentazione quando non è in uso, prima di spostare, regolare, cambiare parti, pulire o intervenire sul mescolatore.

Non aprire mai il coperchio del motore prima di aver staccato la spina del mescolatore.

Il mescolatore non deve essere trainato da alcun veicolo.

### Manutenzione e stoccaggio

Mantenete il vostro mescolatore con cura. Pulire il mescolatore subito dopo l'uso. Mantenere il mescolatore pulito per ottenere prestazioni ottimali e sicure.

Qualsiasi intervento di assistenza deve essere eseguito solo da personale qualificato. L'esecuzione di interventi di assistenza o manutenzione da parte di personale non qualificato può comportare il rischio di lesioni.

Quando si esegue la manutenzione di un utensile, utilizzare solo parti di ricambio identiche e seguire le istruzioni del manuale.

Quando non viene utilizzato, il mescolatore deve essere conservato in un luogo asciutto per evitare la formazione di ruggine. Conservare il mescolatore lontano dalla portata dei bambini e delle persone non qualificate all'uso.



### Smaltimento ambientale

Smaltire i materiali rimanenti presso un punto di raccolta autorizzato o attenersi alle norme del paese in cui viene utilizzato il mescolatore.

Non smaltire i materiali nello scarico, sul terreno o nell'acqua.

## SPECIFICHE

Dati tecnici		
Modello	BMX1205	BMX1410
Potenza	550W	650W
Capacità del tamburo	125L	140L
Spessore del tamburo superiore/inferiore	1,1/1,7 mm	1,1/1,7mm
Diametro del tamburo	570 mm	570mm
Diametro della bocca del tamburo	380 mm	380mm
Materiale della corona dentata e della ruota dentata	Ghisa	Ghisa
Protezione termica	130°	130°
Livello di protezione	IP44	IP44
Peso	50kg	51Kg

### Collegamento elettrico

Questo mescolatore è a doppio isolamento (classe di protezione II) e ha un grado di protezione IP44.

Il doppio isolamento elimina la necessità di un cavo di alimentazione a tre fili con messa a terra e di un sistema di alimentazione con messa a terra. Gli utensili con doppio isolamento possono utilizzare un cavo di prolunga a due o tre fili.

L'isolamento rimarrà efficace solo se per le riparazioni future verranno utilizzati ricambi originali.

**ATTENZIONE!** Non collegare nessuno dei due cavi al pin di terra.

Si raccomanda l'uso di un dispositivo di corrente residua (RCD) su un circuito a 230V.

\* Il produttore si riserva il diritto di apportare modifiche minori al design e alle specifiche tecniche del prodotto senza preavviso, a meno che tali modifiche non influiscano significativamente sulle prestazioni e sulla sicurezza dei prodotti. Le parti descritte/illustrate nelle pagine del manuale che avete tra le mani possono riguardare anche altri modelli della linea di prodotti del produttore con caratteristiche simili e potrebbero non essere incluse nel prodotto appena acquistato.

\* Per garantire la sicurezza e l'affidabilità del prodotto e la validità della garanzia, tutti gli interventi di riparazione, ispezione, riparazione o sostituzione, compresa la manutenzione e le regolazioni speciali, devono essere eseguiti esclusivamente da tecnici del servizio di assistenza autorizzato dal produttore.

\* Utilizzare sempre il prodotto con l'attrezzatura fornita. L'utilizzo del prodotto con apparecchiature non in dotazione può causare malfunzionamenti o addirittura lesioni gravi o morte. Il produttore e l'importatore non sono responsabili per lesioni e danni derivanti dall'uso di apparecchiature non conformi.

## ASSEMBLAGGIO



Si consiglia di farsi assistere da due persone nell'assemblaggio della macchina.

Assicurarsi di saper identificare tutti i componenti che compaiono nelle immagini I. e II. e assemblare la betoniera seguendo le istruzioni.

### Stand (Immagini IV, V, VI)

1. Con un perno divisorio inserito nei fori interni di ciascun asse secondario, posizionare una rondella piatta, quindi una ruota seguita da un'altra rondella piatta. Inserire un altro perno nei fori dell'asse all'esterno di ogni rondella. Piegare ogni lato dei perni verso l'esterno per evitare che cadano. (Immagine IV)
2. Con il telaio appoggiato su un fianco, fissare la gamba di supporto come illustrato. Inserire due bulloni esagonali M8X70 attraverso i fori da un lato, quindi rondelle, rondelle di sicurezza e dadi dall'altro lato. (Immagine V)
3. Girare il telaio e fissare la staffa dell'asse con le ruote nello stesso modo. (Immagine VI)
4. Assicurarsi che tutti i bulloni e i dadi siano serrati.

### Tamburo inferiore (Immagine VII)

1. Far scorrere il blocco cuscinetto sull'albero. Tenerlo in posizione con l'anello a spirale di 42 cm.
2. Con attenzione e con l'aiuto di due persone, posizionare il tamburo inferiore con il braccio di supporto sui supporti laterali del cavalletto come mostrato, in modo che i blocchi dei cuscinetti si inseriscano nei canali forniti dai supporti laterali. L'albero di diametro maggiore deve trovarsi all'estremità della gamba del supporto.
3. Su ciascun lato, allineare i fori del supporto laterale con quelli del blocco cuscinetto e inserire un bullone esagonale M8X65 da un lato, quindi una rondella, una rondella di sicurezza e un dado dall'altro lato. Serrare con una chiave.

### Lame di miscelazione (Immagine VIII)

Montare le pale di miscelazione all'interno del tamburo inferiore in modo lasco, come illustrato. Alla base del tamburo sono presenti due fori in cui è possibile inserire un bullone M8X16 dall'esterno. Una rondella di cuoio, una rondella di flat, una rondella di sicurezza e un dado devono essere avvitati all'interno. La rondella di cuoio deve essere posizionata sotto la lama, contro il tamburo.

**NOTA:** Sul tamburo superiore e sul tamburo inferiore sono presenti due frecce che ne segnalano la posizione. In caso di difficoltà nel posizionare correttamente le lame di miscelazione, montare temporaneamente il tamburo superiore sulla parte superiore del tamburo inferiore e ruotarlo in modo che le due frecce si allineino.

### Tamburo superiore (Immagine IX)

1. Posizionare il tamburo superiore sul tamburo inferiore sopra il cerchione, assicurandosi che i fori di montaggio siano allineati in entrambi i casi, così come le frecce etichettate.
2. Avvitare un bullone esagonale M8X16 con rondelle di bloccaggio e flat in ogni foro filettato dell'ingranaggio del cerchio/anello. Assicurarsi che il processo di serraggio avvenga in modo progressivo.
3. Fissare le pale di miscelazione al tamburo superiore inserendo due viti con testa a croce M8X16, dall'esterno attraverso i fori del tamburo.
4. Una rondella di pelle deve essere posizionata all'interno tra il tamburo e la lama. Fissare la lama di miscelazione all'interno utilizzando una rondella di cuoio, una rondella elastica e un dado.
5. Infine, accertarsi che i supporti della pala mescolatrice superiore e inferiore siano ben saldi.

### Ruota ribaltabile (Immagini X, XI)

1. Far scorrere la piastra di bloccaggio sull'albero di grande diametro all'estremità della gamba del telaio con il bordo rivolto verso l'interno, come mostrato. Fissare con due bulloni M8X20, ciascuno con dado, serratura e rondelle. (Immagine X)
2. La molla è bloccata nel suo supporto da una piastra a forma di U per facilitare il montaggio. Far scorrere la ruota sull'albero di diametro maggiore finché i fori della staffa non si allineano con quelli praticati. Inserire un bullone esagonale M10X60 e avvitare un dado con le rondelle piatte e di sicurezza dall'altro lato. Avvitare il dado contro la staffa con decisione, ma non così forte da impedire alla ruota di ruotare attorno al bullone. Liberare la molla rimuovendo la piastra a U. (Immagine XI)

**NOTA:** La ruota deve poter ruotare attorno al bullone in modo da poter agganciare o sganciare le alette della staffa dalle fessure della piastra di bloccaggio.

### Cassa di trasmissione (Immagine XII)

Allineando le sedi delle chiavette, far scorrere la scatola della trasmissione sull'albero del pignone. Fissare la scatola al telaio con quattro dadi M8.

## FUNZIONAMENTO

### Inclinazione del tamburo

La ruota di ribaltamento a molla con alette di bloccaggio consente un facile controllo positivo del tamburo, che può essere bloccato in posizione di miscelazione, scarico e stoccaggio. Il tamburo è bloccato in posizione da alette sulla ruota di ribaltamento autolocante che si innestano nella piastra di bloccaggio sul telaio del mescolatore. Per inclinare il tamburo, è necessario ritirare la ruota di ribaltamento per disinnestare le alette di bloccaggio. In questo modo, la ruota di ribaltamento e il tamburo possono essere ruotati nella stessa direzione.

Per mantenere il tamburo in posizione, allineando le alette con le fessure, rilasciare leggermente la ruota di ribaltamento mentre si trattiene il tamburo. Ruotare la ruota di ribaltamento finché le alette di bloccaggio non si innestano nella piastra di bloccaggio sul telaio del mescolatore.



Svolgere completamente la prolunga. Collegarla alla betoniera prima di inserire l'alimentazione.



Avviare sempre il mescolatore prima di caricare il tamburo. Caricare il mescolatore con il tamburo in rotazione.



Non gettare il materiale nel mescolatore per evitare che si attacchi saldamente alla parte posteriore del tamburo. Far scorrere il materiale in modo costante sul pistone.

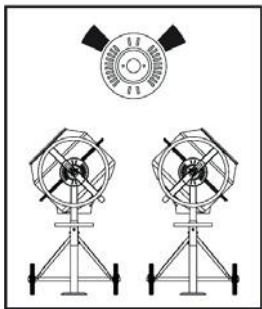


Il motore è dotato di una protezione termica integrata che ne impedisce il surriscaldamento. La protezione termica si ripristina automaticamente quando il motore si raffredda.

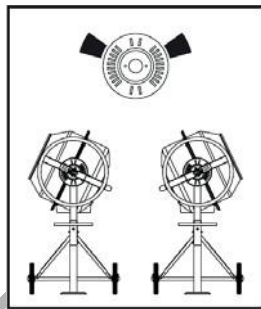
### Carico / Svuotamento

Per ottenere risultati ottimali, procedere come segue:

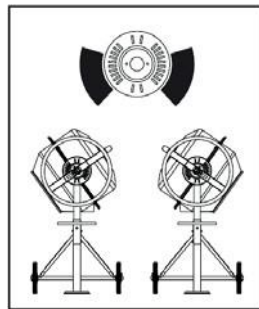
1. Aggiungere la quantità di ghiaia necessaria nel tamburo.
2. Aggiungere la quantità di cemento necessaria nel tamburo.
3. Aggiungere la quantità di sabbia necessaria nel tamburo.
4. Versare la quantità d'acqua necessaria nel cestello.



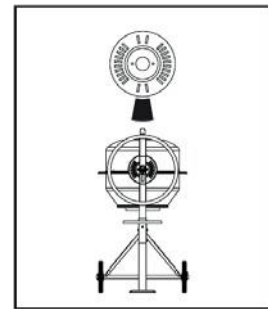
Posizione di carico /miscelazione della malta



Posizione di carico/miscelazione del calcestruzzo



Posizione di svuotamento



Posizione di stoccaggio



Non girare il mescolatore quando è pieno di carico. Svuotare il tamburo mentre è in rotazione.



Non mettere mai le braccia o le mani all'interno di un tamburo rotante.

### Pulizia

Pulire accuratamente il mescolatore al termine di ogni operazione. Mantenere sempre pulito il mescolatore tra un'operazione e l'altra. La minima traccia di materiale lasciata sul tamburo si indurisce e si accumula ogni volta che si utilizza la macchina fino a renderla inutilizzabile.

Il cemento essiccato deve essere raschiato con cura dal tamburo. Non usare una pala, un martello o altri strumenti per rompere con forza gli accumuli di cemento secco nel tamburo, perché potrebbero danneggiare seriamente il mescolatore.

Il tamburo può essere pulito per circa 2 minuti, utilizzando una miscela di ghiaia e acqua. Dopo aver scaricato la miscela di ghiaia e acqua, lavare con un tubo il gruppo del tamburo all'interno e all'esterno. Il grado di protezione IP44 del mescolatore consente di utilizzare liberamente l'acqua sul gruppo del tamburo in tutta sicurezza.



Non versare o spruzzare acqua direttamente sul coperchio del motore. Fare particolare attenzione a non far passare l'acqua attraverso le aperture di ventilazione.



Pulire il coperchio del motore con un panno asciutto. Per la pulizia del mescolatore non utilizzare benzina, acquaragia o diluente per vernici, liquidi per la pulizia a secco o prodotti simili. L'uso di prodotti chimici o solventi può compromettere le proprietà del coperchio, che è stato realizzato in polietilene ad alta densità (PET).

## MANUTENZIONE



Assicurarsi che la prolunga sia sempre scollegata prima di rimuovere il coperchio del motore.

La cinghia di trasmissione è sottoposta a una tensione costante e uniforme da parte di un dispositivo di bloccaggio a molla. Non è necessaria alcuna regolazione, se non un po' di lubrificante sull'albero di tanto in tanto. I cuscinetti sono sigillati a vita.



Lo schema elettrico (Immagine III) e lo schema dei componenti contenuti in questo manuale sono solo a scopo di riferimento. Né il produttore né il distributore garantiscono all'acquirente di essere in grado di effettuare riparazioni al prodotto o di sostituire i componenti del prodotto.

La riparazione del mescolatore deve essere effettuata solo da tecnici qualificati.

Qualsiasi intervento di manutenzione o riparazione sui componenti elettrici deve essere eseguito da un elettricista qualificato.

## ΟΔΗΓΙΕΣ ΑΣΦΑΛΕΙΑΣ



Διαβάστε και κατανοήστε πλήρως το εγχειρίδιο χρήσης και όλες τις ετικέτες που είναι τοποθετημένες στην μπετονιέρα. Ενημερωθείτε για την λειτουργία και τους περιορισμούς του μηχανήματος, καθώς και για τους πιθανούς κινδύνους από τη χρήση του. Εξοικειωθείτε με όλα τα συστήματα ελέγχου πριν θέσετε σε λειτουργία την μπετονιέρα.



### Προσωπική ασφάλεια

Μην χειρίζεστε το μηχάνημα υπό την επήρεια αλκοόλ, φαρμακευτικών αγωγών ή άλλων ουσιών που θα μπορούσαν να επηρεάσουν τις ικανότητές σας. Μην χρησιμοποιείτε αυτό το μηχάνημα όταν είστε κουρασμένοι ή μπορεί να αποσπαστεί η προσοχή σας από την εργασία σας. Προσέχετε τι κάνετε ανά πάσα στιγμή. Χρησιμοποιήστε κοινή λογική.

Να ντύνεστε σωστά. Μην φοράτε φαρδιά ρούχα, γραβάτες ή κοσμήματα. Μπορεί να πιαστούν στα κινούμενα μέρη και να οδηγήσουν σε τραυματισμό.

Σας συνιστούμε να φοράτε γάντια προστασίας από μη αγώγιμα υλικά και αντιολισθητικά υποδήματα όταν χρησιμοποιείτε τη μπετονιέρα.

Φοράτε προστατευτικό κάλυμμα μαλλιών για να συγκρατήσετε τα μακριά μαλλιά, για να μην παγιδευτούν στα μηχανικά μέρη.

Φορέστε μάσκα προσώπου ή μάσκα σκόνης, εάν εργάζεστε σε συνθήκες σκόνης.

Φοράτε πάντα γυαλιά ασφαλείας ή προστατευτική προσωπίδα. Οι φακοί των κοινών γυαλιών δεν είναι ανθεκτικοί, δεν θεωρούνται ασφαλείας.



### Ασφάλεια στο χώρο εργασίας

Βεβαιωθείτε ότι έχετε επαρκή χώρο για την εργασία σας.

Διατηρείτε τον χώρο εργασίας καθαρό και καλά φωτισμένο. Οι ακατάστατοι χώροι οδηγούν σε τραυματισμούς. Διατηρείτε την περιοχή γύρω από την μπετονιέρα καθαρή από εμπόδια, λίπη, λάδια και άλλα συντρίμμια. Χρησιμοποιείτε ή χειρίζεστε το μηχάνημα μόνο σε στερεό, επίπεδο έδαφος που μπορεί να αντέξει το βάρος του μηχανήματος και του φορτίου του, ώστε να αποφευχθεί η ανατροπή της μπετονιέρας.

Μην επιχειρήσετε να μετακινήσετε την μπετονιέρα όταν είναι φορτωμένη ή/και σε λειτουργία.

Κρατήστε μη εξουσιοδοτημένα άτομα και παρευρισκόμενους μακριά από την μπετονιέρα.

Μην επιτρέπετε σε παιδιά να χειρίζονται ή να σκαρφαλώνουν στην μπετονιέρα.

### Ηλεκτρική ασφάλεια

Κάντε σωστή χρήση του καλωδίου ρεύματος. Ποτέ μη μεταφέρετε τη μπετονιέρα από το καλώδιο και μην το τραβάτε για να την αποσυνδέσετε από την πρίζα.

Κρατήστε το καλώδιο μακριά από θερμότητα, λάδι και αιχμηρές άκρες.

Βεβαιωθείτε ότι το ηλεκτρικό δίκτυο είναι επαρκώς προστατευμένο και ότι αντιστοιχεί στην ισχύ, την τάση και τη συχνότητα του κινητήρα.

Η λανθασμένη χρήση καλωδίων προέκτασης μπορεί να οδηγήσει σε εσφαλμένη λειτουργία της μπετονιέρας, υπερθέρμανση και βλάβη της μηχανής.

Το μήκος των καλωδίων προέκτασης δεν επιτρέπεται να υπερβεί τα 50m. Η διατομή του καλωδίου πρέπει να είναι 1,5 mm<sup>2</sup> στα 230 V, ώστε να επιτρέπεται επαρκής ροή ρεύματος προς τον κινητήρα.

Χρησιμοποιείτε μόνο καλώδια προέκτασης που προορίζονται για χρήση σε εξωτερικούς χώρους και ακολουθούν τις προδιαγραφές H07RN-F.

Βεβαιωθείτε ότι τυχόν συνδέσεις καλωδίων προέκτασης είναι στεγνές και ασφαλείς. Αποφύγετε τη χρήση χαλαρών και ανεπαρκώς μονωμένων συνδέσεων.

Οι συνδέσεις πρέπει να γίνονται με υλικά κατάλληλα για εξωτερική χρήση.

Βεβαιωθείτε ότι το καλώδιο προέκτασης είναι προσεκτικά τοποθετημένο, μακριά από υγρά σημεία, αιχμηρές άκρες και σημεία όπου περνάνε οχήματα.

Αποφύγετε την εμπλοκή του καλωδίου επέκτασης κάτω από την μπετονιέρα.

Φροντίστε να ξετυλίγετε πλήρως το καλώδιο προέκτασης για να αποφύγετε την υπερθέρμανση και τον κίνδυνο πυρκαγιάς.

Μην συνδέετε ή αποσυνδέετε τη μπετονιέρα από την πρίζα ενώ βρίσκεστε σε υγρό έδαφος ή κοντά σε αυτό. Μην λειτουργείτε την μπετονιέρα σε περιοχές με υγρασία και μην τον εκθέτετε στη βροχή.

Αποφύγετε την επαφή του σώματος με γειωμένες επιφάνειες όπως σωλήνες, θερμαντικά σώματα, εστίες και ψυγεία.

Βεβαιωθείτε ότι δεν αγγίζετε τα μεταλλικά μέρη του βύσματος όταν συνδέετε ή αποσυνδέετε τη μπετονιέρα από την πρίζα.



### Γενικές προφυλάξεις ασφαλείας

Ελέγξτε διεξοδικά τη μπετονιέρα σας πριν την θέσετε σε λειτουργία.

Ελέγξτε όλα τα μπουλόνια, τα παξιμάδια και τις βίδες ότι είναι σφιχτά πριν από κάθε χρήση, ειδικά αυτά που ασφαλίζουν τα προστατευτικά και τους μηχανισμούς κίνησης. Οι κραδασμοί κατά τη διάρκεια της ανάμιξης μπορεί να προκαλέσουν τη χαλάρωσή τους. Διατηρείτε τα προστατευτικά στη θέση τους και σε κατάσταση λειτουργίας. Αντικαταστήστε τα κατεστραμμένα, ελλειπή ή ελαττωματικά εξαρτήματα πριν από τη χρήση της μπετονιέρας.

Μην συνδέετε τη μπετονιέρα στην πρίζα με το κάλυμμα του κινητήρα ανοικτό.

Ελέγχετε πάντα ότι όλα τα εργαλεία ρύθμισης, τα φτυάρια, οι σπάτουλες χειρός και άλλα εργαλεία/εξοπλισμός έχουν απομακρυνθεί από την περιοχή της μπετονιέρας πριν θέσετε σε λειτουργία το μηχάνημα.

Οι προειδοποιητικές ετικέτες φέρουν σημαντικές πληροφορίες. Επικοινωνήστε με τον τοπικό αντιπρόσωπο για να αντικαταστήσετε τις προειδοποιητικές ετικέτες που λείπουν ή έχουν υποστεί φθορά.





### Προφυλάξεις ασφαλείας μπετονιέρας

Μην τεντώνετε υπερβολικά κατά την εργασία. Διατηρείτε πάντα το σωστό πάτημα και την ισορροπία κατά τη φόρτωση ή την εκφόρτωση της μπετονιέρας. Ποτέ μην ακουμπάτε ή στέκεστε πάνω στην μπετονιέρα. Μπορεί να προκληθεί σοβαρός τραυματισμός σε περίπτωση ανατροπής της μπετονιέρας ή ακούσιας επαφής με τα κινούμενα μέρη.

Μην αποθηκεύετε οτιδήποτε πάνω ή κοντά στην μπετονιέρα σε σημείο όπου κάποιος πρέπει να στηριχτεί πάνω της για να το φτάσει.

Μείνετε μακριά από τα κινούμενα μέρη. Μην τοποθετείτε οποιοδήποτε μέρος του σώματός ή οποιοδήποτε εργαλείο, όπως φτυάρι, στον κάδο κατά τη διάρκεια της λειτουργίας.

Κατά τη λειτουργία, μην περνάτε τα χέρια μέσα από τα κενά μεταξύ του πλαισίου ή του κάδου και του βραχίονα στήριξης.

Μην πιέζετε τη μπετονιέρα. Να εργάζεστε πάντα εντός της προβλεπόμενης χωρητικότητας. Η μπετονιέρα θα κάνει καλύτερη και ασφαλέστερη δουλειά στο ρυθμό σχεδιασμού της.

Η μπετονιέρα προορίζεται για την παραγωγή μπετόν, κονιάματος και γύψου. Μην χρησιμοποιείτε την μπετονιέρα για άλλους σκοπούς.

Η μπετονιέρα δεν είναι κατάλληλη για την ανάμιξη εύφλεκτων ή εκρηκτικών ουσιών. Μην τη χρησιμοποιείτε σε χώρους όπου οι αναθυμιάσεις από χρώματα, διαλύτες ή εύφλεκτα υγρά αποτελούν πιθανό κίνδυνο.

Μην θέτετε σε λειτουργία τον κινητήρα εάν ο κάδος είναι υπερβολικά φορτωμένος.

Μην απενεργοποιείτε τη μπετονιέρα ενώ ο κάδος είναι γεμάτος με μπετόν.

Μην αφήνετε ποτέ την μπετονιέρα σε λειτουργία χωρίς επίβλεψη. Παραμείνετε κοντά στο μηχάνημα όταν το απενεργοποιείτε μέχρι να σταματήσει εντελώς να κινείται ο κάδος.

Αποσυνδέστε την μπετονιέρα από το ρεύμα όταν δεν τη χρησιμοποιείτε, πριν κάνετε ρυθμίσεις, αλλάξετε εξαρτήματα, τη μετακινήσετε ή κατά τον καθαρισμό. Ποτέ μην ανοίγετε το κάλυμμα του κινητήρα πριν αποσυνδέσετε τη μπετονιέρα από την πρίζα.

Μην ρυμουλκείται τη μπετονιέρα με κανένα όχημα.

### Συντήρηση και αποθήκευση

Συντηρείτε τη μπετονιέρα σας με προσοχή. Καθαρίζετε αμέσως μετά τη χρήση. Διατηρείτε τη μπετονιέρα καθαρή για καλύτερη και ασφαλέστερη απόδοση. Οποιαδήποτε εργασία σέρβις πρέπει να εκτελείται μόνο από εξειδικευμένο προσωπικό επισκευών. Το σέρβις ή η συντήρηση από μη εξειδικευμένο προσωπικό μπορεί να οδηγήσει σε τραυματισμούς.

Όταν συντηρείτε ένα εργαλείο, χρησιμοποιείτε μόνο εγκεκριμένα ανταλλακτικά και ακολουθείτε τις οδηγίες του εγχειριδίου.

Όταν δεν χρησιμοποιείται, η μπετονιέρα πρέπει να αποθηκεύεται σε ξηρό μέρος για την αποφυγή της σκουριάς. Αποθηκεύστε τη μπετονιέρα μακριά από παιδιά και άτομα που δεν έχουν τα κατάλληλα προσόντα για τη χρήση της.



### Περιβαλλοντική απόρριψη

Απορρίψτε τυχόν εναπομείναντα υλικά σε εξουσιοδοτημένο σημείο συλλογής ή ακολουθήστε τις ανάλογες εθνικές οδηγίες απόρριψης. Μην απορρίπτετε τα υλικά στην αποχέτευση, στο έδαφος ή στο νερό.

## ΠΡΟΔΙΑΓΡΑΦΕΣ

Τεχνικά χαρακτηριστικά		
Μοντέλο	BMX1205	BMX1410
Ισχύς	550W	650W
Χωρητικότητα κάδου	125L	140L
Πάχος κάδου άνω/κάτω μέρος	1.1/1.7mm	1,1/1,7mm
Διάμετρος κάδου	570mm	570mm
Διάμετρος στόμιου κάδου	380mm	380mm
Υλικό δαχτυλιδιού & γρναζιού	Μαντέμι	Μαντέμι
Θερμική προστασία	130°	130°
Βαθμός στεγανότητας	IP44	IP44
Βάρος	50Kg	51Kg

### Ηλεκτρολογική συνδεσμολογία

Αυτή η μπετονιέρα διαθέτει διπλή μόνωση (κλάση προστασίας II) και έχει βαθμό στεγανότητας IP44.

Η διπλή μόνωση απαλλάσσει από την ανάγκη για ένα γειωμένο καλώδιο ρεύματος τριών αγωγών και ένα γειωμένο σύστημα τροφοδοσίας ρεύματος. Τα εργαλεία με διπλή μόνωση μπορούν να χρησιμοποιήσουν είτε ένα καλώδιο επέκτασης δύο είτε τριών αγωγών.

Η μόνωση θα παραμείνει αποτελεσματική μόνο εάν χρησιμοποιηθούν αυθεντικά εξαρτήματα για μελλοντικές επισκευές.

**ΠΡΟΣΟΧΗ!** Μην συνδέετε κανένα καλώδιο στον ακροδέκτη γείωσης.

Συνιστάται η χρήση ρελέ διαρροής (RCD) σε κύκλωμα 230V.

\* Ο κατασκευαστής διατηρεί το δικαίωμα να πραγματοποιήσει δευτερεύουσες αλλαγές στο σχεδιασμό του προϊόντος και στα τεχνικά χαρακτηριστικά χωρίς προηγούμενη ειδοποίηση, εκτός εάν οι αλλαγές αυτές επηρεάζουν σημαντικά την απόδοση και λειτουργία ασφαλείας των προϊόντων. Τα εξαρτήματα που περιγράφονται / απεικονίζονται στις σελίδες του εγχειριδίου που κρατάτε στα χέρια σας ενδέχεται να αφορούν και σε άλλα μοντέλα της σειράς προϊόντων του κατασκευαστή, με παρόμοια χαρακτηριστικά, και ενδέχεται να μην περιλαμβάνονται στο προϊόν που μόλις αποκτήσατε.

\* Για να διασφαλιστεί η ασφάλεια και η αξιοπιστία του προϊόντος καθώς και η ισχύς της εγγύησης όλες οι εργασίες επιδιόρθωσης, ελέγχου, επισκευής ή αντικατάστασης συμπεριλαμβανομένης της συντήρησης και των ειδικών ρυθμίσεων, πρέπει να εκτελούνται μόνο από τεχνικούς του εξουσιοδοτημένου τμήματος Service του κατασκευαστή.

\* Χρησιμοποιείτε πάντα το προϊόν με τον παρεχόμενο εξοπλισμό. Η λειτουργία του προϊόντος με μη-προβλεπόμενο εξοπλισμό ενδέχεται να προκαλέσει βλάβη ή ακόμα και σοβαρό τραυματισμό ή θάνατο. Ο κατασκευαστής και ο εισαγωγέας ουδέμια ευθύνη φέρει για τραυματισμούς και βλάβες που προκύπτουν από την χρήση μη προβλεπόμενου εξοπλισμού.

## ΣΥΝΑΡΜΟΛΟΓΗΣΗ



Συνιστάται να βοηθούν δύο άτομα στη συναρμολόγηση του μηχανήματος.

Βεβαιωθείτε ότι μπορείτε να αναγνωρίσετε όλα τα εξαρτήματα που εμφανίζονται στις εικόνες I. και II. και συναρμολογήστε τη μπετονιέρα ακολουθώντας τις οδηγίες.

### Βάση (Εικόνες IV, V, VI)

1. Με έναν πείρο τοποθετημένο στην εσωτερική οπή κάθε άξονα, τοποθετήστε μια επίπεδη ροδέλα, στη συνέχεια έναν τροχό και στη συνέχεια άλλη μια επίπεδη ροδέλα. Τοποθετήστε έναν άλλο πείρο στις οπές του άξονα από την έξω πλευρά. Προσαρμόστε κάθε πλευρά των πείρων ώστε να ασφαλισουν. (Εικόνα IV)
2. Με το πλαίσιο ξαπλωμένο στο πλάι, εφαρμόστε το πόδι στήριξης όπως φαίνεται στην εικόνα. Τοποθετήστε δύο εξαγωνικά μπουλόνια M8X70 μέσα από τις οπές από τη μία πλευρά και, στη συνέχεια, επίπεδες ροδέλες, ροδέλες ασφάλισης και παξιμάδια από την άλλη πλευρά. (Εικόνα V)
3. Αναποδογυρίστε το πλαίσιο και προσαρτήστε το κομμάτι με τους τροχούς με τον ίδιο τρόπο. (Εικόνα VI)
4. Βεβαιωθείτε ότι όλες οι βίδες και τα παξιμάδια είναι σφικμένα.

### Κάτω μέρος κάδου (Εικόνα VII)

1. Σύρετε το ρουλεμάν στον άξονα. Κρατήστε το στη θέση του με τον δακτύλιο 42cm.
2. Τοποθετήστε προσεκτικά, με τη βοήθεια ενός ακόμα ατόμου, το κάτω μέρος του κάδου με το βραχίονα στήριξης στα πλευρικά στηρίγματα της βάσης, όπως φαίνεται στην εικόνα, έτσι ώστε τα ρουλεμάν να εφαρμόζουν στα κανάλια πάνω στα πλευρικά στηρίγματα. Ο άξονας μεγαλύτερης διαμέτρου πρέπει να βρίσκεται από τη σταθερή πλευρά της βάσης (την πλευρά χωρίς ρόδες).
3. Σε κάθε πλευρά, ευθυγραμμίστε τις οπές στο πλευρικό στηρίγμα με εκείνες στο ρουλεμάν και τοποθετήστε ένα εξαγωνικό μπουλόνι M8X65 από τη μία πλευρά και στη συνέχεια μια επίπεδη ροδέλα, μια ροδέλα ασφάλισης και ένα παξιμάδι από την άλλη πλευρά. Σφίξτε με ένα κλειδί.

### Λεπίδες ανάμιξης (Εικόνα VIII)

Τοποθετήστε τις λεπίδες ανάμιξης μέσα στο κάτω μέρος του κάδου όπως φαίνεται στην εικόνα. Στη βάση του κάδου υπάρχουν δύο οπές στις οποίες μπορεί να εισαχθεί εξωτερικά ένας κοχλίας M8X16. Μια δερμάτινη ροδέλα, μια επίπεδη ροδέλα, μια ροδέλα ασφάλισης και ένα παξιμάδι πρέπει να τοποθετηθούν χαλαρά στο εσωτερικό. Η δερμάτινη ροδέλα θα πρέπει να τοποθετηθεί κάτω από τη λεπίδα προς το τύμπανο.

**ΣΗΜΕΙΩΣΗ:** Δύο βέλη στο επάνω και στο κάτω μέρος του κάδου επισημαίνουν τη σωστή θέση. Εάν δυσκολεύεστε να τοποθετήσετε σωστά τις λεπίδες ανάμιξης, εφαρμόστε προσωρινά το άνω μέρος του κάδου στο κάτω μέρος και περιστρέψτε το έτσι ώστε τα δύο βέλη να ευθυγραμμιστούν.

### Άνω μέρος κάδου (Εικόνα IX)

1. Τοποθετήστε το επάνω μέρος στο κάτω, πάνω στο χείλος, φροντίζοντας οι οπές τοποθέτησης και τα βέλη να ευθυγραμμίζονται και στις δύο πλευρές
2. Βιδώστε έναν εξαγωνικό κοχλία M8X16 με ασφάλειες και επίπεδες ροδέλες σε κάθε οπή με σπείρωμα στο δακτύλιο. Βεβαιωθείτε ότι η διαδικασία πραγματοποιείται προοδευτικά.
3. Στερεώστε τις λεπίδες ανάμιξης στο επάνω μέρος εισάγοντας δύο βίδες M8X16, από την εξωτερική πλευρά μέσω των οπών στον κάδο.
4. Μια δερμάτινη ροδέλα θα πρέπει να τοποθετηθεί στο εσωτερικό μεταξύ του κάδου και λεπίδας. Στερεώστε τη λεπίδα ανάμιξης από το εσωτερικό χρησιμοποιώντας μια επίπεδη ροδέλα, μια ροδέλα ασφάλισης και ένα παξιμάδι.
5. Τέλος, βεβαιωθείτε ότι οι άνω και κάτω συνδέσεις της λεπίδας ανάμιξης είναι σφικτές.

### Τροχός περιστροφής (Εικόνες X, XI)

1. Σύρετε την πλάκα ασφάλισης πάνω από τον άξονα μεγάλης διαμέτρου στο άκρο της βάσης του σκελετού με το χείλος προς τα μέσα, όπως φαίνεται στην εικόνα. Ασφαλίστε με δύο βίδες M8X20, η καθεμία με παξιμάδι, ασφάλειες και επίπεδες ροδέλες. (Εικόνα X)
2. Το ελατήριο συγκρατείται στη βάση του από μια πλάκα σχήματος U για ευκολότερη συναρμολόγηση. Σύρετε τον τροχό πάνω από τον άξονα μεγαλύτερης διαμέτρου μέχρι οι οπές στο στηρίγμα να ευθυγραμμιστούν με την οπή που έχει διανοιχτεί. Τοποθετήστε ένα εξαγωνικό μπουλόνι M10X60 και βιδώστε ένα παξιμάδι με ροδέλες επίπεδες και ασφάλισης από την άλλη πλευρά. Βιδώστε σταθερά το παξιμάδι πάνω στο βραχίονα, αλλά όχι τόσο σφικτά ώστε να εμποδίζεται η περιστροφή του τροχού γύρω από το μπουλόνι. Ελευθερώστε το ελατήριο αφαιρώντας την πλάκα σχήματος U. (Εικόνα XI)

**ΣΗΜΕΙΩΣΗ:** Ο τροχός πρέπει να μπορεί να περιστρέφεται γύρω από το μπουλόνι, ώστε οι προεξοχές του βραχίονα να μπορούν να εμπλέκονται ή να απεμπλέκονται από τις εγκοπές της πλάκας ασφάλισης.

### Περίβλημα κινητήρα (εικόνα XII)

Ευθυγραμμίζοντας τις οδοντώσεις, σύρετε το κιβώτιο πάνω στον άξονα του γριναζιού. Ασφαλίστε το περίβλημα στο πλαίσιο με τέσσερα παξιμάδια M8.

## ΛΕΙΤΟΥΡΓΙΑ

### Θέση κάδου

Ο τροχός περιστροφής διαθέτει προεξοχές ασφάλισης για εύκολο έλεγχο του κάδου, ώστε να μπορεί να κλειδώσει στη θέση ανάμιξης, απόρριψης και αποθήκευσης. Ο κάδος ασφαλίσει στη θέση του με προεξοχές στον τροχό περιστροφής, οι οποίες εφαρμόζουν στην πλάκα ασφάλισης στο πλαίσιο της μπετονιέρας. Για να γείρετε τον κάδο, αφαιρέστε τον τροχό περιστροφής για να απεμπλακούν οι προεξοχές ασφάλισης. Αυτό επιτρέπει στον τροχό και τον κάδο να στραφούν προς την ίδια κατεύθυνση.

Για να συγκρατήσετε τον κάδο στη θέση του, ευθυγραμμίστε τις προεξοχές με τις υποδοχές ενώ συγκρατείτε τον κάδο. Περιστρέψτε τον τροχό έως ότου οι προεξοχές να ασφαλισουν στο πλαίσιο της μπετονιέρας.



Ξετυλίξτε πλήρως το καλώδιο προέκτασης. Συνδέστε το πρώτα στην μπετονιέρα πριν συνδέσετε στην παροχή ρεύματος.



Εκκινείτε πάντα την μπετονιέρα πριν φορτώσετε τον κάδο. Φορτώστε τη μπετονιέρα με τον κάδο να περιστρέφεται.



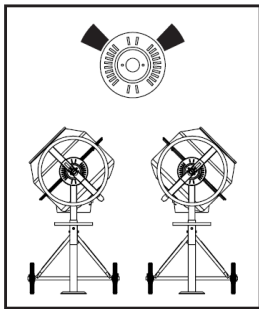
Μην ρίχνετε μαζικά υλικά μέσα στον κάδο για να αποφύγετε να κολλήσετε στο πίσω μέρος του. Το διοχετεύετε σταθερά από το χείλος.



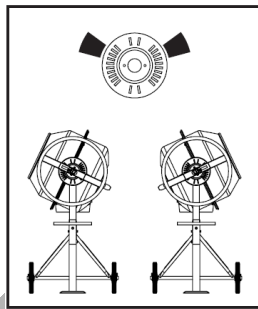
Ο κινητήρας διαθέτει ενσωματωμένο θερμικό προστατευτικό για την αποφυγή υπερθέρμανσης. Το θερμικό προστατευτικό επανέρχεται αυτόματα όταν ο κινητήρας κρυώσει.

#### Φόρτωση / άδειασμα

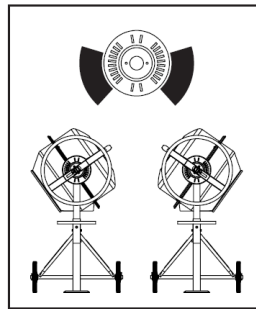
1. Προσθέστε την απαιτούμενη ποσότητα χαλκιού στον κάδο.
2. Προσθέστε την απαιτούμενη ποσότητα τσιμέντου στον κάδο.
3. Προσθέστε την απαιτούμενη ποσότητα άμμου στον κάδο.
4. Ρίξτε την απαιτούμενη ποσότητα νερού στον κάδο.



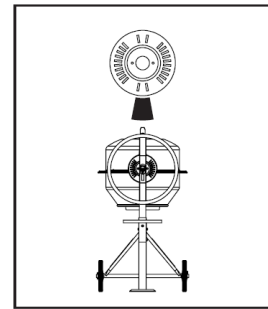
Θέση φόρτωσης/ ανάμειξης  
Κονιάμα



Θέση φόρτωσης/ ανάμειξης  
Μπετόν



Θέση αδειάσματος



Θέση αποθήκευσης



Μην απενεργοποιείτε τη μπετονιέρα ενώ είναι γεμάτη. Αδειάστε τον κάδο καθώς αυτός περιστρέφεται.



Ποτέ μην βάζετε τα χέρια σας μέσα σε περιστρεφόμενο κάδο.

#### Καθαρισμός

Καθαρίζετε σχολαστικά τη μπετονιέρα στο τέλος κάθε λειτουργίας. Διατηρείτε πάντα τη μπετονιέρα σας καθαρή μεταξύ των λειτουργιών. Το παραμικρό ίχνος υλικού που θα παραμείνει στον κάδο θα σκληρύνει και θα συσσωρευτεί κάθε φορά που χρησιμοποιείτε το μηχάνημα μέχρι να μην είναι πλέον λειτουργικό. Το αποξηραμένο τσιμέντο πρέπει να ξύνεται προσεκτικά από τον κάδο. Μην χρησιμοποιείτε φτυάρι, σφυρί ή άλλα εργαλεία για να "σπάσετε" τα υπολείμματα αποξηραμένου μίγματος στον κάδο, καθώς μπορεί να προκαλέσουν σοβαρή ζημιά στη μπετονιέρα.

Για να καθαρίσετε τον κάδο, λειτουργήστε τον για περίπου 2 λεπτά, χρησιμοποιώντας ένα μείγμα χαλκιού και νερού. Μετά την απόρριψη του μίγματος χαλκιού/νερού, καθαρίστε με λάστιχο τον κάδο εσωτερικά και εξωτερικά. Η προστασία IP44 της μπετονιέρας, σας επιτρέπει να χρησιμοποιείτε ελεύθερα νερό στο κομμάτι του κάδου με ασφάλεια.



Μην ρίχνετε ή ψεκάζετε νερό απευθείας πάνω από το κάλυμμα του κινητήρα. Προσέξτε ιδιαίτερα να μην αφήσετε το νερό να διαρρέει μέσα από τα ανοίγματα εξαερισμού.



Σκουπίστε το κάλυμμα του κινητήρα με ένα στεγνό πανί. Μην χρησιμοποιείτε βενζίνη, νέφτι, διαλυτικό ή παρόμοια προϊόντα όταν καθαρίζετε τη μπετονιέρα σας. Η χρήση χημικών προϊόντων ή διαλυτών μπορεί να επηρεάσει τις ιδιότητες του καλύμματος το οποίο κατασκευάζεται από πολυαιθυλένιο υψηλής πυκνότητας (PET).

#### ΣΥΝΤΗΡΗΣΗ



Βεβαιωθείτε ότι το καλώδιο προέκτασης είναι πάντα αποσυνδεδεμένο από την πρίζα πριν από την αφαίρεση του καλύμματος του κινητήρα.

Ο μίαντας βρίσκεται υπό συνεχή και ομοιόμορφη τάση. Δεν χρειάζεται καμία ρύθμιση εκτός από λίγο λιπαντικό στον άξονα ανά περιόδους. Τα ρουλεμάν είναι σφραγισμένα.



Το διάγραμμα συνδεσμολογίας (Εικόνα III) και το διάγραμμα εξαρτημάτων στο παρόν εγχειρίδιο είναι μόνο για λόγους αναφοράς. Ούτε ο κατασκευαστής ούτε ο αντιπρόσωπος εγγυάται στον αγοραστή ότι ο αγοραστής έχει τα προσόντα να κάνει οποιαδήποτε επισκευή στο προϊόν ή ότι ο αγοραστής έχει τα προσόντα να αντικαταστήσει οποιαδήποτε εξαρτήματα του προϊόντος. Μόνο εξειδικευμένοι τεχνικοί πρέπει να επισκευάζουν τη μπετονιέρα.

Οποιαδήποτε συντήρηση και επισκευή πραγματοποιείται σε οποιοδήποτε από τα ηλεκτρικά εξαρτήματα πρέπει να εκτελείται από εξειδικευμένο ηλεκτρολόγο.

## ПРЕДПАЗНИ МЕРКИ ЗА БЕЗОПАСНОСТ



Прочетете и разберете ръководството за употреба и всички етикети, прикрепени към бетонобъркачката. Запознайте се с приложението и ограниченията на машината, както и с потенциалните опасности от използването ѝ. Запознайте се с всички органи за управление, преди да работите с този бетонобъркач.



### Лична безопасност

Не работете с миксера под въздействието на алкохол, лекарства или други вещества, които биха могли да повлияят на способността ви да го използвате правилно. Не използвайте този миксер, когато сте уморени или разсеяни от текущата работа. Следете какво правите през цялото време. Използвайте здрав разум.

Облечете се подходящо. Не носете свободни дрехи, ръкавици, вратовръзки или бижута. Те могат да бъдат захванати от движещи се части и да доведат до нараняване.

Силно ви препоръчваме да носите защитни електроизолирани ръкавици и нехлъзгави обувки, когато използвате миксера.

Носете защитно покривало за дълга коса, за да не се заплита в машините. Носете маска за лице или маска за прах, ако работите в запрашени условия.

Винаги носете предпазни очила и/или щитове за лице. Обикновените очила нямат удароустойчиви стъкла. Те не са предпазни очила.



### Безопасност в работната зона

Уверете се, че има достатъчно работно пространство.

Поддържайте работното си място чисто и добре осветено. Замърсените места са предпоставка за наранявания. Поддържайте зоната около миксера чиста от препятствия, мазнини, масла и други отпадъци.

Използвайте или работете с миксера само върху твърда, плоска, равна основа, която може да издържи теглото на миксера и неговия товар, за да предотвратите преобръщането му.

Не се опитвайте да премествате миксера, когато той е зареден и/или работи.

Не допускайте до миксера неоторизирани лица и странични наблюдатели.

Не позволявайте на деца да боравят с миксера или да се катерят по него.

### Електрическа безопасност

Не злоупотребявайте със захранващия кабел. Никога не носете миксера за кабела и не го дърпайте, за да го изключите от контакта. Пазете кабела от топлина, масло и остри ръбове.

Уверете се, че електрическата верига е адекватно защитена и че отговаря на мощността, напрежението и честотата на двигателя.

Неправилното използване на удължителни кабели може да доведе до неправилна работа на миксера, прегряване и повреда на двигателя.

Дължината на удължителните кабели не може да надвишава 50 метра. Сечението на кабела трябва да бъде 1,5 mm<sup>2</sup> при 230 V, за да се осигури достатъчен ток към двигателя.

Използвайте само удължителни кабели, предназначени за употреба на открито, които отговарят на спецификациите на H07RN-F.

Уверете се, че всички връзки на удължителния кабел са сухи и сигурни. Избягвайте използването на хлабави и недостатъчно изолирани връзки.

Връзките трябва да бъдат направени с материали, подходящи за употреба на открито.

Уверете се, че удължителният кабел е разположен внимателно, като се избягват мокри места, остри ръбове и места, през които могат да преминат превозни средства. Не допускайте удължителният кабел да бъде захванат под смесителя.

Не забравяйте да развиете удължителя напълно, за да избегнете прегряване и риск от избухване.

Не включвайте и не изключвайте миксера, докато е на или около мокра или влажна земя. Не работете с миксера на мокри или влажни места и не го излагайте на дъжд. Избягвайте контакт на тялото със заземени повърхности: тръби, радиатори, котлони и корпуси на хладилници.

Уверете се, че краката ви не докосват металните части на щепсела, когато свързвате или изключвате миксера от контакта.



### Общи предпазни мерки за безопасност

Преди да включите миксера, го проверете внимателно.

Преди всяка употреба проверявайте затягането на всички болтове, гайки и винтове, особено на тези, които закрепват предпазителяте и задвижващите механизми. Вибрациите по време на смесването могат да доведат до разхлабването им. Поддържайте предпазителяте на място и в изправност. Заменете повредените, липсващи или неизправни части, преди да използвате миксера.

Не включвайте миксера, когато капакът на двигателя е свален.

Винаги проверявайте дали всички инструменти за регулиране, лопати, ръчни мистрии и други инструменти/оборудване са отстранени от зоната на смесителя, преди да включите машината.

Предупредителните етикети носят важна информация. Свържете се с местния си търговец, за да замените липсващите или повредени предупредителни етикети.



### Мерки за безопасност на бетонобъркачката

Не прекалявайте. При товарене и разтоварване на миксера винаги поддържайте правилна стойка и равновесие.

Никога не се облягайте и не стойте върху миксера. Ако миксерът се наклони или ако неволно се допре до движещите се части, може да се стигне до сериозни наранявания.

Не съхранявайте нищо над или в близост до миксера, където някой трябва да застане върху миксера, за да го достигне.

Дръжте ръцете си далеч от всички движещи се части. По време на работа не поставяйте в барабана никаква част от тялото си или какъвто и да е инструмент, например лопата.

По време на работа не прекарвайте ръце през пролуките между рамката или барабана и опорното рамо.

Не насилвайте миксера. Винаги работете в рамките на номиналния капацитет. Смесителят ще свърши по-добра и по-безопасна работа при проектната си производителност.

Този миксер е предназначен за производство на бетон, хоросан и мазилка. Не използвайте миксера за цели, за които не е предназначен.

Смесителят не е подходящ за смесване на запалими или взривоопасни вещества. Не го използвайте на места, където изпаренията от бои, разтворители или фламливи течности представляват потенциална опасност.

Не стартирайте двигателя, ако барабанът е напълно натоварен.

Не обръщайте миксера, докато барабанът е пълен с бетон.

Никога не оставяйте миксера да работи без надзор. Останете близо до машината, докато тя не спре напълно, когато я изключвате.

Когато не се използва, изключете го от електрическата мрежа, преди да премествате, регулирате, сменят частите, почиствате или работите по смесителя.

Никога не отваряйте капака на двигателя, преди да изключите миксера от електрическата мрежа.

Смесителят не трябва да се тегли от каквото и да е превозно средство.

### Поддръжка и съхранение

Поддържайте внимателно смесителя си. Почиствайте миксера веднага след употреба. Поддържайте миксера чист за най-добра и безопасна работа.

Всички сервизни дейности трябва да се извършват само от квалифициран ремонтен персонал. Обслужването или поддръжката от неквалифициран персонал може да доведе до риск от нараняване. Когато извършвате сервизно обслужване на инструмента, използвайте само идентични резервни части и спазвайте инструкциите в ръководството.

Когато не се използва, миксерът трябва да се съхранява на сухо място, за да се предотврати появата на ръжда. Съхранявайте миксера далеч от деца и лица, които не са квалифицирани да го използват.



### Изхвърляне в околната среда

Изхвърлете всички останали материали в оторизиран пункт за събиране или спазвайте разпоредбите на страната, в която се използва миксерът. Не изхвърляйте материалите в канализацията, на земята или във водата.

## СПЕЦИФИКАЦИИ

Технически данни		
Модел	BMX1205	BMX1410
Захранване	550W	650W
Капацитет на барабана	125L	140L
Дебелина на барабана горна/долна част	1,1/1,7 мм	1,1/1,7мм
Диаметър на барабана	570 мм	570мм
Диаметър на устието на барабана	380 мм	380мм
Материал на пръстеновидното и зъбното колело	Чугун	Чугун
Термична защита	130°	130°
Ниво на защита	IP44	IP44
Тегло	50kg	51Kg

### Електрическа връзка

Този смесител е с двойна изолация (клас на защита II) и има степен на защита IP44.

Двойната изолация премахва необходимостта от трипроводен заземен захранващ кабел и заземена система за захранване. Инструментите с двойна изолация могат да използват двужилен или трижилен удължител.

Изолацията ще остане ефективна само ако за бъдещите ремонти се използват оригинални части.

**ВНИМАНИЕ!** Не свързвайте нито един от двата кабела към заземителния щифт.

Препоръчва се използването на устройство за защита от остатъчен ток (RCD) във верига 230V.

\* Производителят си запазва правото да прави незначителни промени в дизайна и техническите спецификации на продуктите без предварително уведомление, освен ако тези промени не засягат значително работата и безопасността на продуктите. Частите, описани/илюстрирани на страниците на ръководството, което държите в ръцете си, може да се отнасят и за други модели от продуктовата линия на производителя с подобни характеристики и може да не са включени в току-що придобития от вас продукт.

\* За да се гарантира безопасността и надеждността на продукта и валидността на гаранцията, всички работи по ремонт, проверка, поправка или замяна, включително поддръжка и специални настройки, трябва да се извършват само от техници от оторизирания сервизен отдел на производителя.

\* Винаги използвайте продукта с доставеното оборудване. Работата на продукта с оборудване, което не е доставено, може да доведе до неизправности или дори до сериозни наранявания или смърт. Производителят и вносителят не носят отговорност за наранявания и щети, възникнали в резултат на използването на несъответстващо на изискванията оборудване.

## СГЛОБЯВАНЕ



Препоръчително е двама души да помагат при сглобяването на машината.

Уверете се, че можете да разпознаете всички части, показани на изображения I. и II., и сглобете бетонобъркачката, като следвате инструкциите.

**Стойка (изображения IV, V, VI)**

1. С вкаран щифт във вътрешните отвори на всяка ос, поставете шайба, след това колело, последвано от още една шайба. Поставете още един раздвоен щифт в отворите на оста извън всяка шайба. Огънете всяка страна на щифтовете навън, за да не изпаднат. (Изображение IV)
2. Когато рамката лежи настрана, закрепете опорния крак, както е показано. Поставете два шестстенни болта M8X70 през отворите от едната страна, след това флат шайби, блокиращи шайби и гайки от другата страна. (Изображение V)
3. Обърнете рамката и закрепете скобата на оста с колелата по същия начин. (Изображение VI)
4. Уверете се, че всички болтове и гайки са затегнати.

**Долен барабан (Изображение VII)**

1. Плъзнете лагерния блок върху вала. Задръжте го на място с 42-сантиметров спирален пръстен.
2. Внимателно и с помощта на двама души поставете долния барабан с опорното рамо върху страничните опори на стойката, както е показано, така че лагерните блокове да се вмъкнат в каналите, осигурени от страничните опори. Валът с по-голям диаметър трябва да е в края на крака на стойката.
3. От всяка страна подравнете отворите в страничната опора с тези в лагерния блок и поставете шестстенния болт M8X65 от едната страна, след това шайба, блокираща шайба и гайка от другата страна. Затегнете с помощта на гаечен ключ.

**Смесителни лопатки (Изображение VIII)**

Монтирайте свободно смесващите лопатки в долния барабан, както е показано. В основата на барабана са предвидени два отвора, в които може да се вкара болт M8X16 отвън. От вътрешната страна трябва да се завият свободно кожена шайба, флат шайба, блокираща шайба и гайка. Кожената шайба трябва да се постави под острието надолу към барабана.

**ЗАБЕЛЕЖКА:** Върху горния и долния барабан са разположени две стрелки, които обозначават мястото им. Ако имате някакви трудности при правилното позициониране на смесителните ножове, временно монтирайте горния барабан върху горната част на долния барабан и го завъртете така, че двете стрелки да се подредят.

**Горна част на барабана (Изображение IX)**

1. Поставете горния барабан върху долния барабан върху джантата, като се уверите, че монтажните отвори съвпадат с двата, както и с обозначените стрелки.
2. Завинтете шестстенен болт M8X16 със заключващи и шайби във всеки отвор с резба в джантата/пръстена. Уверете се, че процесът на затягане се извършва постепенно.
3. Закрепете смесващите ножове към горния барабан, като поставите два винта с кръстосана глава M8X16 от външната страна през отворите в барабана.
4. Между барабана и острието трябва да се постави кожена шайба. Закрепете смесващия нож от вътрешната страна с помощта на флатна шайба, пружинна шайба и гайка.
5. И накрая, уверете се, че горните и долните закрепвания на смесителните лопатки са затегнати.

**Колело за преобръщане (изображения X, XI)**

1. Плъзнете заключващата плоча върху вала с голям диаметър в края на крака на рамката с ръба навътре, както е показано. Закрепете с два болта M8X20, всеки с гайка, заключваща и флат шайба. (Изображение X)
2. Пружината е закрепена в държача си с U-образна плоча за по-лесно сглобяване. Плъзнете колелото върху вала с по-голям диаметър, докато отворите в скобата се изравнят с пробития отвор. Поставете шестстенен болт M10X60 и завийте гайка с флат и блокиращи шайби от другата страна. Завинтете гайката към скобата здраво, но не толкова силно, че да попречите на колелото да се завърти около болта. Освободете пружината, като отстраните U-образната пластина. (Изображение XI)

**ЗАБЕЛЕЖКА:** Колелото трябва да може да се завърти около болта, за да могат крайниците на конзолата да се задействат или да се изключат от прорезите в блокиращата плоча.

**Предавателна кутия (Изображение XII)**

Подравнете шпонките и плъзнете кутията на трансмисията върху вала на зъбното колело. Закрепете кутията към рамата с четири гайки M8.

## ОПЕРАЦИЯ

**Накланяне на барабана**

Пружинното колело за преобръщане със заключващи крайници осигурява лесно управление на барабана, който може да бъде заключен в положение за смесване, разтоварване и съхранение. Барабанът се заключва в позиция чрез крайници на самонасочващото се колело за накланяне, които се захващат за заключващата пластина на рамата на смесителя. За да наклоните барабана, издърпайте колелото за накланяне, за да освободите заключващите крайници. Това позволява обръщане на накланящото се колело и барабана в една и съща посока.

За да задържите барабана на място, като подравните ушите с прорезите, отпуснете малко колелото за накланяне, докато задържате барабана. Завъртете колелото за накланяне, докато фиксиращите крайници се застопорят в заключващата пластина на рамката на смесителя.



Изцяло развийте удължителя. Първо го свържете към бетонобъркачката, преди да включите захранването.



Винаги стартирайте миксера, преди да заредите барабана. Зареждайте миксера при въртящ се барабан.



Не хвърляйте материал в миксера, за да не залепне здраво за задната част на барабана. Прехвърляйте го равномерно върху буталото.

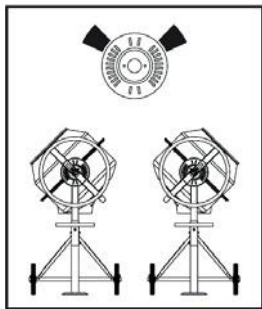


В мотора е вградена термична защита, която го предпазва от прегряване. Термозащитата се нулира автоматично, когато двигателят се охлади.

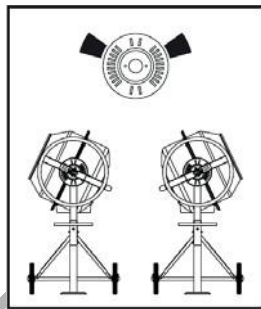
### Зареждане / изпразване

За да постигнете най-добри резултати, процедирайте по следния начин:

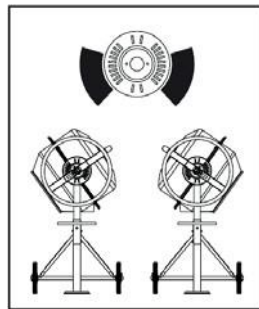
1. Добавете необходимото количество чакъл в барабана.
2. Добавете необходимото количество цимент в барабана.
3. Добавете необходимото количество пясък в барабана.
4. Налейте необходимото количество вода в барабана.



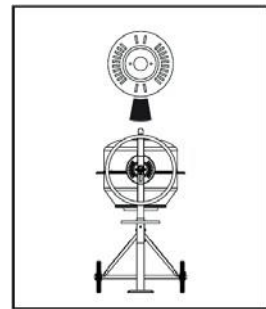
Позиция за зареждане / смесване на разтвор



Позиция за зареждане / смесване на бетон



Позиция за изпразване



Позиция за съхранение



Не включвайте миксера, докато е пълен с товар. Изпразвайте барабана, докато той се върти.



Никога не поставяйте ръце или длани във въртящия се барабан.

### Почистване

В края на всяка операция почиствайте старателно смесителя. Винаги поддържайте миксера чист между операциите. Най-малката следа от материал, оставена върху барабана, ще се втвърдява и натрупа всеки път, когато използвате машината, докато тя престане да функционира.

Изсъхналият цимент трябва внимателно да се изстърже от барабана. Не използвайте лопата, чук или други инструменти за насилствено разбиване на натрупаната в барабана засъхнала циментова смес, тъй като те могат сериозно да повредят миксера.

Барабанът може да се почиства за около 2 минути със смес от чакъл и вода. След като изхвърлите сместа от чакъл и вода, измийте барабана с маркуч отвътре и отвън. Защитата IP44 на миксера ви позволява свободно да използвате вода върху барабанната слобка по безопасен начин.



Не изливайте и не пръскайте вода директно върху капака на двигателя. Бъдете особено внимателни да не допуснете изтичане на вода през вентилационните отвори.



Избършете капака на двигателя със суха кърпа. Не използвайте бензин, терпентин или разреждател за боя, течности за химическо чистене или други подобни продукти, когато почиствате миксера. Използването на химически продукти или разтворители може да повлияе на свойствата на капака, който е изработен от полиетилен с висока плътност (PET).

## ПОДДЪРЖАНЕ



Уверете се, че удължителният кабел винаги е изключен от електрическата мрежа, преди да свалите капака на двигателя.

Задвижващият ремък е подложен на постоянно и равномерно напрежение от пружинен джокер. Не е необходимо никакво регулиране, освен малко смазка върху вала от време на време. Лагерите са запечатани за цял живот.



Електрическата схема (Изображение III) и схемата на компонентите в това ръководство са само за справка. Нито производителят, нито дистрибуторът дават каквато и да е гаранция на купувача, че той е квалифициран да извършва каквито и да е ремонти на продукта или че купувачът е квалифициран да заменя каквито и да е компоненти на продукта. Само квалифицирани техници трябва да ремонтират миксера.

Всяка поддръжка и ремонт на електрическите компоненти трябва да се извършва от квалифициран електротехник.

## VARNOSTNI UKREPI



Preberite in razumite uporabniški priročnik in vse oznake, ki so pritrjene na mešalnik betona. Seznanite se z uporabo in omejitvami stroja ter morebitnimi nevarnostmi, ki izhajajo iz njegove uporabe. Pred uporabo mešalnika se seznanite z vsemi upravljalnimi elementi.



### Osebna varnost

Mešalnika ne uporabljajte pod vplivom alkohola, zdravil ali drugih snovi, ki bi lahko vplivale na vašo sposobnost pravilne uporabe. Mešalnika ne uporabljajte, kadar ste utrujeni ali odvrnjeni od opravljenega dela. Ves čas pazite, kaj počnete. Uporabljajte zdravo pamet. Ustrezno se oblecite. Ne nosite ohlapnih oblačil, rokavic, kravata ali nakita. Lahko se ujamejo v gibljive dele in povzročijo poškodbe. Priporočamo, da pri uporabi mešalnika nosite zaščitne električno izolirane rokavice in neдрsečo obutev. Nosite zaščitno pokrivalo za dolge lase, da se ne bi ujeli v stroje. Če delate v prašnih razmerah, nosite masko za obraz ali masko proti prahu. Vedno nosite zaščitna očala in/ali ščitnike za obraz. Običajna očala nimajo stekel, odpornih proti udarcem. To niso varnostna očala.



### Varnost na delovnem mestu

Poskrbite, da bo v okolici dovolj delovnega prostora. Delovni prostor naj bo čist in dobro osvetljen. Neurejena območja so nevarna za poškodbe. Na območju okoli mešalnika naj ne bo ovir, maščob, olja in drugih odpadkov. Mešalnik uporabljajte ali upravljajte samo na trdnih, ravnih tleh, ki lahko prenesejo težo mešalnika in njegovega tovora, da se mešalnik ne prevrne. Ne poskušajte premikati mešalnika, ko je naložen in/ali deluje. Poskrbite, da se nepooblaščen osebe in mimoidoči ne bodo približali mešalniku. Otrokom ne dovolite, da mešalnik držijo ali plezajo nanj.

### Električna varnost

Ne zlorablajte napajalnega kabla. Mešalnika nikoli ne prenašajte za kabl ali ga potegnite, da bi ga odklopili iz vtičnice. Kabel hranite stran od vročine, olja in ostrih robov. Prepričajte se, da je električni tokokrog ustrezno zaščiteno in da ustreza moči, napetosti in frekvenci motorja. Nepravilna uporaba podaljškov lahko povzroči nepravilno delovanje mešalnika, pregrevanje in poškodbe motorja. Podaljševalni kabli ne smejo biti daljši od 50 metrov. Presek kabla mora biti 1,5 mm<sup>2</sup> pri napetosti 230 V, da je omogočen zadosten pretok toka do motorja. Uporabljajte samo podaljševalne kable, namenjene uporabi na prostem, ki ustrezajo specifikacijam H07RN-F. Prepričajte se, da so vsi priključki podaljškov suhi in varni. Izogibajte se uporabi ohlapnih in premalo izoliranih priključkov. Priključki morajo biti izdelani iz materialov, primernih za uporabo na prostem. Prepričajte se, da je podaljšek skrbno nameščen in se izogibajte mokrim mestom, ostrim robovom in mestom, skozi katera lahko zapeljejo vozila. Izogibajte se ujetju podaljševalnega kabla pod mešalnikom. Da bi se izognili pregrevanju in nevarnosti požara, podaljšek popolnoma odvijete. Mešalnika ne vklaplajte ali izklaplajte, če je na mokrih ali vlažnih tleh ali v njihovi bližini. Mešalnika ne uporabljajte na mokrih ali vlažnih območjih in ga ne izpostavlajte dežju. Izogibajte se telesnemu stiku z ozemljenimi površinami: cevmi, radiatorji, kuhalnimi ploščami in ohišji hladilnikov. Poskrbite, da se pri priključevanju ali izključevanju mešalnika iz električne vtičnice vaši nogi ne bodo dotikali kovinskih delov vtiča.



### Splošni varnostni ukrepi

Preden vklopite mešalnik, ga temeljito preverite. Pred vsako uporabo preverite, ali so vsi vijaki, matice in sorniki, zlasti tisti, ki pritrjujejo varovala in pogonske mehanizme, dobro zategnjeni. Zaradi vibracij med mešanjem se lahko sprostijo. Varovala naj bodo nameščena in v brezhibnem stanju. Pred uporabo mešalnika zamenjajte poškodovane, manjkajoče ali pokvarjene dele. Mešalnika ne vklaplajte brez pokrova motorja. Pred vklopom stroja vedno preverite, ali so vsa nastavitvena orodja, lopate, ročne lopate in drugo orodje/oprema odstranjeni z območja mešalnika. Na opozorilnih nalepkah so navedene pomembne informacije. Za zamenjavo manjkajočih ali poškodovanih opozorilnih nalepk se obrnite na lokalnega prodajalca.





### Varnostni ukrepi za mešalnik betona

Ne pretiravajte. Pri natovarjanju in raztovarjanju mešalnika imejte ves čas pravilno podlago in ravnotežje.

Nikoli se ne naslanjajte na mešalnik ali stojite na njem. Če se mešalnik prevrne ali če se nehote dotaknete gibljivih delov, lahko pride do resnih poškodb.

Nad mešalnikom ali v njegovi bližini ne shranjujte ničesar, za kar bi moral kdo stati na mešalniku, da bi ga dosegel.

Ne približujte rok vsem gibljivim delom. Med delovanjem v boben ne polagajte nobenega dela telesa ali orodja, npr. lopate.

Med delovanjem ne spuščajte rok skozi vrzeli med okvirjem ali bobnom in podporno roko.

Mešalnika ne mešajte na silo. Vedno delajte v okviru nazivne zmogljivosti. Mešalnik bo s predvideno zmogljivostjo opravil boljše in varnejše delo.

Ta mešalnik je namenjen proizvodnji betona, malte in ometa. Mešalnika ne uporabljajte za namene, za katere ni namenjen.

Mešalnik ni primeren za mešanje gorljivih ali eksplozivnih snovi. Ne uporabljajte ga na območjih, kjer hlapi barv, topil ali flamabilnih tekočin predstavljajo potencialno nevarnost.

Ne zaženite motorja, če je boben popolnoma naložen.

Ne obračajte mešalnika, ko je boben poln betona.

Mešalnika nikoli ne puščajte delovati brez nadzora. Pri obračanju mešalnika ostanite v njegovi bližini, dokler se popolnoma ne ustavi.

Če mešalnika ne uporabljate, ga pred premikanjem, prilagajanjem, menjavo delov, čiščenjem ali delom na njem izključite iz električnega omrežja.

Nikoli ne odpirajte pokrova motorja, preden mešalnik odklopite iz električnega omrežja.

Mešalnika ne sme vleči nobeno vozilo.

### Vzdrževanje in skladiščenje

Skrbno vzdržujte mešalnik. Mešalnik očistite takoj po uporabi. Za najboljšo in varno delovanje mešalnik vzdržujte čistega.

Vse servisne posege sme opravljati le usposobljeno servisno osebje. Servisiranje ali vzdrževanje, ki ga izvaja nekvalificirano osebje, lahko povzroči nevarnost poškodb.

Pri servisiranju orodja uporabljajte samo enake nadomestne dele in upoštevajte navodila v priročniku.

Če mešalnika ne uporabljate, ga shranite na suhem mestu, da ne rjavi. Mešalnik shranjujte stran od otrok in oseb, ki niso usposobljene za njegovo uporabo.



### Odstranjevanje v okolje

Vse preostale materiale odvrzite na pooblaščenem zbirnem mestu ali upoštevajte predpise države, v kateri se mešalnik uporablja. Materialov ne odlagajte v odtok, na tla ali v vodo.

## SPECIFIKACIJE

Tehnični podatki		
Model	BMX1205	BMX1410
Napajanje	550W	650W
Kapaciteta bobna	125L	140L
Debelina bobna zgornji/spodnji del	1,1/1,7 mm	1,1/1,7mm
Premer bobna	570 mm	570mm
Premer ustja bobna	380 mm	380mm
Material obročnega zobnika in zobatega kolesa	Lito železo	Lito železo
Toplotna zaščita	130°	130°
Stopnja zaščite	IP44	IP44
Teža	50 kg	51Kg

### Električna povezava

Ta mešalnik je dvojno izoliran (zaščitni razred II) in ima stopnjo zaščite IP44.

Dvojna izolacija odpravlja potrebo po trižičnem ozemljenem napajalnem kablu in ozemljenem sistemu napajanja. Orodja z dvojno izolacijo lahko uporabljajo dvo- ali trižični podaljšek.

Izolacija bo ostala učinkovita le, če boste pri prihodnjih popravilih uporabljali originalne dele.

**POZOR!** Nobenega od kablov ne priključite na ozemljitveni priključek.

Na 230-voltnem tokokrogu je priporočljiva uporaba naprave za preostali tok (RCD).

\* Proizvajalec si pridržuje pravico do manjših sprememb zasnovane in tehničnih specifikacij izdelkov brez predhodnega obvestila, razen če te spremembe bistveno vplivajo na delovanje in varnost izdelkov. Deli, opisani/prikazani na straneh priročnika, ki ga držite v rokah, se lahko nanašajo tudi na druge modele proizvajalčeve linije izdelkov s podobnimi lastnostmi in morda niso vključeni v izdelek, ki ste ga pravkar pridobili.

\* Da bi zagotovili varnost in zanesljivost izdelka ter veljavnost garancije, lahko vsa popravila, preglede, popravila ali zamenjave, vključno z vzdrževanjem in posebnimi nastavitvami, opravljajo le tehniki pooblaščenega servisnega oddelka proizvajalca.

\* Izdelek vedno uporabljajte s priloženo opremo. Uporaba izdelka z opremo, ki ni priložena, lahko povzroči motnje v delovanju ali celo hude telesne poškodbe ali smrt. Proizvajalec in uvoznik nista odgovorna za poškodbe in škodo, ki so posledica uporabe neustrezne opreme.

## MONTAŽA



Priporočljivo je, da pri sestavljanju stroja pomagata dve osebi.

Prepričajte se, da lahko prepoznate vse dele na slikah I. in II., in sestavite mešalnik betona v skladu z navodili.

### Stojalo (Sliki IV, V, VI)

1. V notranjo luknjo vsake osi vstavite cepin, nato ploščato podložko, kolo in še eno ploščato podložko. V luknje osi zunaj vsake ploščate podložke vstavite še en cepilni zatič. Vsako stran čepov upognite navzven, da ne izpadeta. (Slika IV)
2. Ko okvir leži na boku, pritrдите podporno nogo, kot je prikazano na sliki. Skozi luknje z ene strani vstavite dva šestkotna vijaka M8X70, z druge strani pa ploske podložke, podložke in matice. (Slika V)
3. Obrnite okvir in na enak način pritrдите nosilec osi s kolesi. (Slika VI)
4. Prepričajte se, da so vsi vijaki in matice zategnjeni.

### Spodnji boben (Slika VII)

1. Blok ležaja potisnite na gred. Na mestu ga pritrдите z 42-centimetrskim spiralnim obročem.
2. Z dvema osebama previdno namestite spodnji boben s podporno roko na stranske nosilce stojala, kot je prikazano na sliki, tako da se ležajni bloki vstavijo v kanale stranskih nosilcev. Gred z večjim premerom mora biti na koncu noge stojala.
3. Na vsaki strani poravnajte luknje v stranskem nosilcu z luknjami v ležajnem bloku in vstavite šestilo M8X65 z ene strani, nato ploščato podložko, varovalno podložko in matico z druge strani. Zategnite s ključem.

### Mešalne lopatice (Slika VIII)

Mešalne lopatice ohlapno namestite v spodnji boben, kot je prikazano na sliki. Na dnu bobna sta dve luknji, v kateri lahko od zunaj vstavite vijak M8X16. Na notranji strani je treba ohlapno naviti usnjeno podložko, ravno podložko, varovalno podložko in matico. Usnjeno podložko je treba namestiti pod rezilo navzdol proti bobnu.

**OPOMBA:** Na zgornjem in spodnjem bobnu sta nameščeni dve puščici, ki označujeta njuno mesto. Če imate težave pri pravilnem nameščanju mešalnih rezil, začasno namestite zgornji boben na vrh spodnjega bobna in ga obrnite tako, da se dve puščici poravnata.

### Zgornji boben (Slika IX)

1. Zgornji boben namestite na spodnji boben nad platišče in se prepričajte, da sta pritrdilni luknji v obeh bobnih poravnani z označenima puščicama.
2. V vsako navojno luknjo v obročniku/obročnem mehanizmu vijajte vijak M8X16 s šesterokotnim vijakom, blokirno in flatno podložko. Poskrbite, da bo zategovanje potekalo postopoma.
3. Mešalne lopatice pritrдите na zgornji boben tako, da vstavite dva križna vijaka M8X16 z zunanjo stranjo skozi luknji v bobnu.
4. V notranjosti med bobnom in rezilom je treba namestiti usnjeno podložko. Mešalno rezilo na notranji strani pritrдите s ploščato podložko, vzmetno podložko in matico.
5. Na koncu preverite, ali sta zgornja in spodnja pritrditve mešalne lopatice dobro pritrjena.

### Prevračalno kolo (Sliki X, XI)

1. Blokirno ploščo potisnite na gred velikega premera na koncu noge okvirja z robom, obrnjenim navznoter, kot je prikazano na sliki. Pritrdite z dvema vijakoma M8X20, vsak z matico, varovalnimi in ploščatimi podložkami. (Slika X)
2. Vzmet je zaradi lažje montaže vpeta v držalo s ploščo v obliki črke U. Kolo potisnite čez gred z večjim premerom, dokler se luknje v nosilcu ne poravnajo z izvrtano luknjo. Z druge strani vstavite vijak s šestilom M10X60 in privijte matico z ravnimi in varovalnimi podložkami. Matico trdno privijte ob nosilec, vendar ne tako močno, da bi preprečili vrtenje kolesa okoli vijaka. Sprostite vzmet tako, da odstranite ploščico v obliki črke U. (Slika XI)

**OPOMBA:** Kolo se mora vrteti okoli vijaka, da se lahko ušesa na nosilcu zaskočijo ali odstranijo iz utorov v blokirni ploščici.

### Ohišje za prenos (Slika XII)

Ko se ujemate s ključnicami, potisnite ohišje menjalnika na zobato gred. Ohišje pritrдите na okvir s štirimi maticami M8.

## OPERACIJA

### Nagibanje bobna

Vzmetno prevračalno kolo z blokirnimi ušesi omogoča enostavno upravljanje bobna, ki ga je mogoče zakleniti v položaju za mešanje, praznjenje in skladiščenje. Boben je v položaju zaklenjen z ušesi na samonastavljivem prevračalnem kolesu, ki se zaskočijo v blokirno ploščo na okvirju mešalnika. Če želite boben nagniti, umaknite prevračalno kolo, da se sprostijo blokirne zanke. Tako se lahko prevračalno kolo in boben obrneta v isto smer.

Če želite boben zadržati v položaju, ko so ušesa poravnana z režami, med držanjem bobna nekoliko sprostite prevračalno kolesce. Obračajte prevračalno kolesce, dokler se zaporne zanke ne zaskočijo v zaporno ploščico na okvirju mešalnika.



Podaljševalni kabel popolnoma odvijte. Najprej ga priključite na mešalnik betona in šele nato na napajalnik.



Pred polnjenjem bobna vedno zaženite mešalnik. Mešalnik polnite z vrtečim se bobnom.



Ne mečite materiala v mešalnik, da se ne bi trdno prilepil na zadnji del bobna. Z njim enakomerno pretakajte mešalnik.

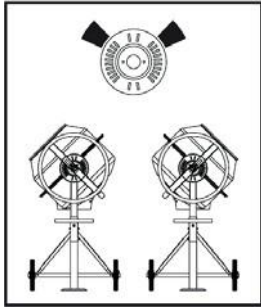


V motor je vgrajena toplotna zaščita, ki preprečuje pregrevanje motorja. Ko se motor ohladi, se toplotna zaščita samodejno ponastavi.

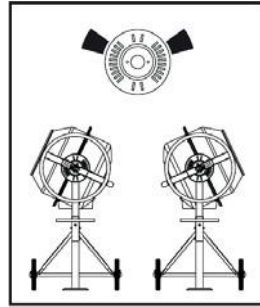
### Nalaganje/izpraznjevanje

Za najboljše rezultate ravnajte, kot sledi:

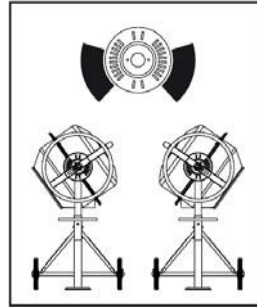
1. V boben dodajte potrebno količino gramoza.
2. V boben dodajte potrebno količino cementa.
3. V boben dodajte potrebno količino peska.
4. V boben nalijte potrebno količino vode.



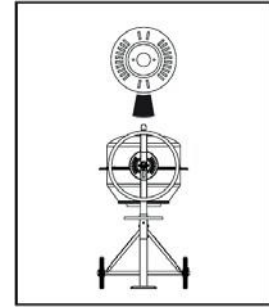
Položaj nalaganja / mešanja  
malte



Položaj za nalaganje / mešanje  
betona



Položaj praznjenja



Položaj za shranjevanje



Ne obračajte mešalnika off, ko je poln. Boben izpraznite, ko se vrti.



Nikoli ne polagajte rok ali dlani v vrteči se boben.

### Čiščenje

Mešalnik ob koncu vsakega posega temeljito očistite. Med posameznimi postopki mešalnik vedno ohranajte čist. Najmanjša sled materiala, ki ostane na bobnu, se strdi in nabira ob vsaki uporabi naprave, dokler ta ne bo več funkcionalna.

Iz bobna je treba previdno postrgati posušen cement. Ne uporabljajte lopate, kladiva ali drugega orodja za nasilno razbijanje nakopičene posušene cementne mešanice v bobnu, saj bi lahko resno poškodovali mešalnik.

Boben lahko čistite približno 2 minuti z mešanico gramoza in vode. Po izpraznitvi mešanice gramoza in vode s cevjo sperite sklop bobna znotraj in zunaj. Zaščita IP44 mešalnika omogoča varno uporabo vode na bobnu.



Ne nalivajte ali pršite vode neposredno na pokrov motorja. Posebej pazite, da voda ne izteče skozi prezračevalne odprtine.



Pokrov motorja obrišite s suho krpo. Pri čiščenju mešalnika ne uporabljajte bencina, terpentina ali razredčila za barve, tekočin za suho čiščenje ali podobnih izdelkov. Uporaba kemičnih izdelkov ali topil lahko vpliva na lastnosti pokrova, ki je bil izdelan iz polietilena visoke gostote (PET).

## VZDRŽEVANJE



Preden odstranite pokrov motorja, se prepričajte, da je podaljšek vedno izključen iz električnega omrežja.

Pogonski jermen je stalno in enakomerno napet zaradi vzmetnega jokerja. Nastavitve niso potrebne, razen občasnega mazanja gredi z malo maziva. Ležaji so trajno zatesnjeni.



Shema ožičenja (Slika III) in shema sestavnih delov v tem priročniku sta zgolj referenčna. Niti proizvajalec niti distributer kupcu ne jamčita, da je kupec usposobljen za kakršna koli popravila izdelka ali da je kupec usposobljen za zamenjavo katere koli komponente izdelka. Mešalnik lahko popravljajo le usposobljeni tehniki.

Vsako vzdrževanje in popravilo električnih komponent mora opraviti usposobljen električar.

## MĂSURI DE SIGURANȚĂ



Citiți și înțelegeți manualul de utilizare și toate etichetele afixate pe betonieră. Învățați aplicațiile și limitările mașinii, precum și potențialele pericole rezultate din utilizarea acesteia. Familiarizați-vă cu toate comenzile înainte de a utiliza acest malaxor.



### Siguranța personală

Nu folosiți mixerul în timp ce vă aflați sub influența alcoolului, a oricărui medicament sau a altor substanțe care ar putea afecta capacitatea dumneavoastră de a-l utiliza în mod corespunzător.

Nu folosiți acest mixer atunci când sunteți obosit sau distras de la treaba pe care o aveți de făcut. Urmăriți tot timpul ceea ce faceți. Folosiți bunul simț.

Îmbrăcați-vă corespunzător. Nu purtați haine largi, mănuși, cravate sau bijuterii. Acestea pot fi prinse în piesele în mișcare și pot duce la rănire.

Vi se recomandă cu insistență să purtați mănuși de protecție cu izolație electrică și încălțăminte antiderapantă atunci când utilizați mixerul.

Purtați o hăinuță de protecție pentru părul lung, pentru a evita ca acesta să fie prins în utilaje.

Purtați o mască de față sau de praf dacă lucrați în condiții de praf.

Purtați întotdeauna ochelari de protecție și/sau ecrane de protecție pentru față. Ochelarii obișnuiți nu au lentile rezistente la impact. Ei nu sunt ochelari de protecție.



### Siguranța zonei de lucru

Asigurați-vă că există un spațiu de lucru adecvat în jur.

Păstrați-vă zona de lucru curată și bine luminată. Zonele dezordonate favorizează rănilor. Păstrați zona din jurul mixerului liberă de obstacole, grășime, ulei și alte resturi.

Folosiți sau operați mixerul numai pe un teren solid, flat și nivelat, care poate susține greutatea mixerului și a încărcăturii sale pentru a preveni răsturnarea mixerului.

Nu încercați să deplasați mixerul atunci când este încărcat și/sau în funcțiune.

Țineți persoanele neautorizate și trecătorii departe de mixer.

Nu permiteți copiilor să manipuleze sau să se urce pe mixer.

### Siguranța electrică

Nu abuzați de cablul de alimentare. Nu transportați niciodată mixerul de cablu și nu trageți de el pentru a-l deconecta de la priză. Păstrați cablul departe de căldură, ulei și margini ascuțite.

Asigurați-vă că circuitul electric este protejat în mod corespunzător și că acesta corespunde puterii, tensiunii și frecvenței motorului.

Utilizarea incorectă a cablurilor de prelungire poate duce la funcționarea necorespunzătoare a mixerului, la supraîncălzirea și deteriorarea motorului.

Lungimea cablurilor de prelungire nu trebuie să depășească 50 de metri. Secțiunea transversală a cablului trebuie să fie de 1,5 mm<sup>2</sup> la 230 V pentru a permite un flux de curent suficient către motor.

Utilizați numai cabluri prelungitoare destinate utilizării în exterior care respectă specificațiile H07RN-F.

Asigurați-vă că toate conexiunile cablurilor de prelungire sunt uscate și sigure. Evitați utilizarea de conexiuni slăbite și insuficient izolate. Conexiunile trebuie să fie realizate cu materiale adecvate pentru utilizare în exterior.

Asigurați-vă că cablul de prelungire este poziționat cu grijă, evitând locurile umede, marginile ascuțite și locurile prin care pot trece vehicule.

Evitați să prindeți cablul de prelungire sub mixer.

Asigurați-vă că derulați complet cablul prelungitor pentru a evita supraîncălzirea și riscul de ficare.

Nu conectați sau deconectați mixerul în timp ce se află pe sau în apropierea unui teren umed sau umed. Nu folosiți mixerul în zone umede sau umede și nu-l expuneți la ploaie.

Evitați contactul corpului cu suprafețele împământate: țevi, radiatoare, plite și carcase de frigider.

Asigurați-vă că figuri dvs. nu ating părțile metalice ale ștecherului atunci când conectați sau deconectați mixerul de la priza de alimentare.



### Măsuri generale de siguranță

Verificați bine mixerul înainte de a-l porni.

Verificați dacă toate șuruburile, piulițele și șuruburile sunt bine strânse înainte de fiecare utilizare, în special cele care fixează dispozitivele de protecție și mecanismele de acționare. Vibrațiile din timpul malaxării pot provoca slăbirea acestora. Păstrați protecțiile la locul lor și în stare de funcționare.

Înlocuiți piesele deteriorate, lipsă sau defecte înainte de a utiliza mixerul.

Nu conectați mixerul la priză cu capacul motorului scos.

Verificați întotdeauna dacă toate uneltele de reglare, lopețile, mistrițele manuale și alte unelte/echipamente sunt îndepărtate din zona mixerului înainte de a porni mașina.

Etichetele de avertizare poartă informații importante. Contactați dealerul local pentru a înlocui etichetele de avertizare lipsă sau deteriorate.



### Precauții de siguranță pentru betoniere

Nu exagerați. Păstrați în permanență o poziție corectă și un echilibru adecvat atunci când încărcați sau descărcați mixerul.

Nu vă sprijiniți niciodată pe mixer sau stați în picioare. Se pot produce răni grave dacă mixerul este răsturnat sau dacă piesele în mișcare sunt contactate în mod neintenționat.

Nu depozitați nimic deasupra sau în apropierea mixerului, astfel încât cineva să fie nevoit să stea pe mixer pentru a ajunge la el.

Țineți mâinile la distanță de toate piesele în mișcare. Nu introduceți nicio parte a corpului sau nicio unealtă, cum ar fi o lopată, în tambur în timpul funcționării. În timpul funcționării, nu treceți mâinile prin spațiile dintre cadru sau tambur și brațul de susținere.

Nu forțați mixerul. Lucrați întotdeauna în limitele capacității nominale. Mixerul va face o treabă mai bună și mai sigură la rata sa nominală.

Acest mixer este destinat producerii de beton, mortar și ipsos. Nu utilizați mixerul într-un scop pentru care nu a fost destinat.

Mixerul nu este potrivit pentru amestecarea substanțelor inflamabile sau explozive. Nu îl utilizați în zone în care vaporii de vopsea, solvenți sau lichide inflamabile reprezintă un potențial pericol.

Nu porniți motorul dacă tamburul este complet încărcat.

Nu opriți mixerul în timp ce tamburul este plin de beton.

Nu lăsați niciodată mixerul să funcționeze nesupravegheat. Rămâneți în apropierea mașinii până când aceasta se oprește complet atunci când o opriți.

Deconectați-l de la sursa de alimentare atunci când nu este utilizat, înainte de a muta, de a face reglaje, de a schimba piese, de a curăța sau de a lucra la mixer. Nu deschideți niciodată capacul motorului înainte de a deconecta mixerul.

Mixerul nu trebuie să fie tratat de niciun vehicul.

### Întreținere și depozitare

Întrețineți mixerul cu grijă. Curățați mixerul imediat după utilizare. Păstrați mixerul curat pentru cea mai bună și mai sigură performanță.

Orice lucrare de service trebuie efectuată numai de către personal de reparații calificat. Service-ul sau întreținerea de către personal necalificat ar putea duce la un risc de rănire.

La repararea unui instrument, utilizați numai piese de schimb identice și respectați instrucțiunile din manual.

Atunci când nu este utilizat, mixerul trebuie depozitat într-un loc uscat pentru a preveni apariția ruginii. Depozitați mixerul departe de copii și de persoanele care nu sunt calificate să îl folosească.



### Eliminarea mediului

Eliminați materialele rămase la un punct de colectare autorizat sau respectați reglementările din țara în care este utilizat mixerul. Nu aruncați materialele în canalul de scurgere, pe sol sau în apă.

## SPECIFICAȚII

Date tehnice		
Model	BMX1205	BMX1410
Putere	550W	650W
Capacitatea tamburului	125L	140L
Grosimea tamburului superior/inferior	1.1/1.7mm	1.1/1.7mm
Diametrul tamburului	570mm	570mm
Diametrul gurii tamburului	380mm	380mm
Materialul angrenajului inelar și al roții dințate	Fontă	Fontă
Protecție termică	130°	130°
Nivelul de protecție	IP44	IP44
Greutate	50Kg	51Kg

### Conexiune electrică

Acest mixer este dublu izolat (clasa de protecție II) și are un grad de protecție IP44.

Izolația dublă elimină necesitatea unui cablu de alimentare cu trei fire cu împământare și a unui sistem de alimentare cu împământare. Uneltele cu izolație dublă pot utiliza fie un cablu prelungitor cu două sau trei fire.

Izolația va rămâne efectivă numai dacă se folosesc piese originale pentru reparații viitoare.

**ATENȚIE!** Nu conectați niciunul dintre cabluri la pinul de împământare.

Se recomandă utilizarea unui dispozitiv de curent rezidual (RCD) pe un circuit de 230 V.

\* Producătorul își rezervă dreptul de a aduce modificări minore la designul produsului și la specificațiile tehnice fără o notificare prealabilă, cu excepția cazului în care aceste modificări afectează în mod semnificativ performanța și siguranța produselor. Piesele descrise / ilustrate în paginile manualului pe care îl țineți în mâini pot viza și alte modele din linia de produse ale producătorului cu caracteristici similare și pot să nu fie incluse în produsul pe care tocmai l-ați achiziționat.

\* Pentru a asigura siguranța și fiabilitatea produsului, precum și valabilitatea garanției, toate lucrările de reparații, inspecții, reparații sau înlocuiri, inclusiv întreținerea și reglajele speciale, trebuie efectuate numai de către tehnicienii ai departamentului de service autorizat al producătorului.

\* Utilizați întotdeauna produsul cu echipamentul furnizat. Funcționarea produsului cu echipamente care nu sunt furnizate poate cauza defecțiuni sau chiar vătămări grave sau chiar moartea. Producătorul și importatorul nu sunt răspunzători pentru vătămările și daunele rezultate din utilizarea unui echipament neconform.

## ASAMBLARE



Se recomandă ca două persoane să asiste la asamblarea mașinii.

Asigurați-vă că puteți identifica toate piesele care apar în imaginile I. și II. și asamblați betoniera conform instrucțiunilor.

### Suport (Imaginile IV, V, VI)

1. Cu un bolț despicat introdus în găurile interioare ale fiecărei osii, puneți o șaibă plată, apoi o roată urmată de o altă șaibă plată. Introduceți un alt știft despicat în găurile axei în afara fiecărei șaibe plate. Îndoțiți fiecare parte a știfturilor spre exterior, astfel încât acestea să nu cadă. (Imaginea IV)
2. Cu cadrul așezat pe o parte, atașați piciorul de susținere așa cum se arată. Introduceți două șuruburi hexagonale M8X70 prin găurile de pe o parte, apoi șaibe plate, șaibe de blocare și piulițe de pe cealaltă parte. (Imaginea V)
3. Întoarceți cadrul și atașați suportul axei cu roți în același mod. (Imaginea VI)
4. Asigurați-vă că toate șuruburile și piulițele sunt strânse.

### Tamburul inferior (Imaginea VII)

1. Glisați blocul de rulmenți pe arbore. Țineți-l în poziție cu inelul spiralat de 42 cm.
2. Cu grijă și cu două persoane, așezați tamburul inferior cu brațul de susținere pe suporturile laterale ale standului, așa cum se arată, astfel încât blocurile de rulmenți să se încadreze în canalele prevăzute de suporturile laterale. Arborele cu diametrul mai mare trebuie să se afle la capătul piciorului de pe suport.
3. În fiecare parte, aliniați găurile din suportul lateral cu cele din blocul de rulmenți și introduceți un șurub hexagonal M8X65 dintr-o parte, apoi o șaibă plată, o șaibă de blocare și o piuliță din cealaltă parte. Strângeți cu ajutorul unei chei.

### Lamele de amestecare (Imaginea VIII)

Montați lamelele de amestecare în interiorul tamburului inferior fără strângere, așa cum se arată. La baza tamburului sunt prevăzute două găuri în care se poate introduce un șurub M8X16 din exterior. O șaibă de piele, o șaibă plată, o șaibă de blocare și o piuliță trebuie înșurubate lejer în interior. Șaiba de piele trebuie plasată sub lamă, în jos, pe tambur.

**NOTĂ:** Două săgeți sunt poziționate pe tamburul superior și pe tamburul inferior pentru a le marca locul. Dacă întâmpinați dificultăți în poziționarea corectă a lamelor de amestecare, montați temporar tamburul superior pe partea superioară a tamburului inferior și rotiți-l astfel încât cele două săgeți să se alinieze.

### Tamburul superior (Imaginea IX)

1. Poziționați tamburul superior pe tamburul inferior peste jantă, asigurându-vă că găurile de montare se aliniază în ambele, precum și săgețile etichetate.
2. Înșurubați câte un șurub hexagonal M8X16 cu șaibe de blocare și șaibe plate în fiecare gaură filetată din angrenajul jantei/anelului.  
Asigurați-vă că procesul de strângere se realizează progresiv.
3. Fixați lamelele de amestecare la tamburul superior prin introducerea a două șuruburi cu cap în cruce M8X16, din exterior prin găurile din tambur.
4. O șaibă din piele trebuie poziționată în interior între tambur și lamă. 5. Fixați lama de amestecare în interior folosind o șaibă plată, o șaibă elastică și o piuliță.
5. În cele din urmă, asigurați-vă că monturile de sus și de jos ale lamei de amestecare sunt strânse.

### Roată basculantă (Imaginile X, XI)

1. Glisați placa de blocare peste arborele cu diametrul mare de la capătul piciorului cadrului, cu janta orientată spre interior, așa cum se arată. Fixați cu două șuruburi M8X20, fiecare cu o piuliță, șaibe de blocare și șaibe plate. (Imaginea X)
  2. Arcul este prins în suportul său de o placă în formă de U pentru o asamblare mai ușoară.  
Glisați roata peste arborele cu diametru mai mare până când găurile din suport se aliniază cu gaura găurită.  
Introduceți un șurub hexagonal M10X60 și înșurubați o piuliță cu șaibe plate și de blocare din cealaltă parte.  
Înșurubați piulița până la suport ferm, dar nu atât de strâns încât să împiedice roata să pivoteze în jurul șurubului.  
Eliberați arcul prin îndepărtarea plăcii în formă de U. (Imaginea XI)
- NOTĂ:** Roata trebuie să poată pivota în jurul șurubului, astfel încât urechile de pe suport să poată fi angajate sau dezangajate din fantele din placa de blocare.

### Carcasa de transmisie (Imaginea XII)

Alinierea căilor de cheiță, glisați carcasa transmisiei peste arborele pinionului. Fixați carcasa de cadru cu patru piulițe M8.

## Operațiune

### Înclinarea tamburului

Roata de basculare cu arc cu urechi de blocare asigură un control pozitiv ușor al tamburului, care poate fi blocat în poziția de amestecare, descărcare și depozitare. Tamburul este blocat în poziție prin intermediul urechilor de pe roata basculantă cu auto-localizare, care se angajează în placa de blocare de pe cadrul mixerului. Pentru a înclina tamburul, retrageți roata basculantă pentru a dezactiva urechile de blocare. Acest lucru permite apoi roata basculantă și tamburul să fie rotite în aceeași direcție.

Pentru a menține tamburul în poziție, aliniați urechile cu fantele, eliberați puțin roata basculantă în timp ce rețineți tamburul. Rotiți roata basculantă până când urechile de blocare se angajează în placa de blocare de pe cadrul mixerului.



Desfășurați complet cablul prelungitor. Conectați-l mai întâi la malaxorul de beton înainte de a conecta sursa de alimentare.



Porniți întotdeauna mixerul înainte de a încărca tamburul. Încărcați mixerul cu tamburul în rotație.



Nu aruncați materiale în malaxor pentru a evita să se lipească ferm de partea din spate a tamburului. Scurgeți-l în mod constant peste berbec.

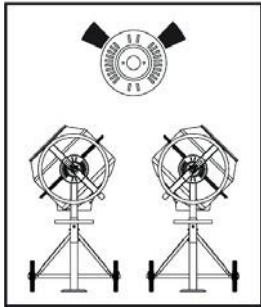


În motor există un dispozitiv de protecție termică încorporat pentru a preveni supraîncălzirea acestuia. Protecția termică se resetează automat atunci când motorul se răcește.

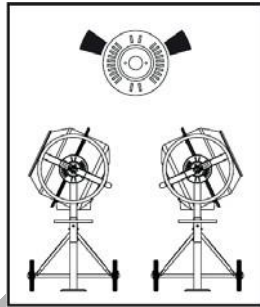
### Încărcare / Golire

Pentru rezultate optime, procedați după cum urmează:

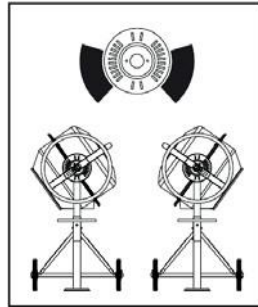
1. Adăugați cantitatea necesară de pietriș în tambur.
2. Adăugați cantitatea necesară de ciment în tambur.
3. Adăugați cantitatea necesară de nisip în tambur.
4. Turnați cantitatea necesară de apă în tambur.



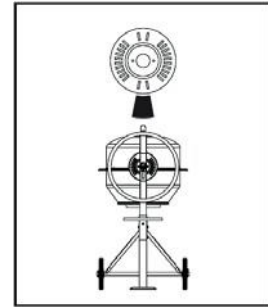
Poziția de încărcare / amestecare a mortarului



Poziția de încărcare / amestecare a betonului



Poziția de golire



Poziția de depozitare



Nu rotiți mixerul off timp ce este plin de sarcină. Goliți tamburul în timp ce acesta se rotește.



Nu introduceți niciodată brațele sau mâinile în interiorul unui tambur rotativ.

### Curățare

Curățați temeinic mixerul la sfârșitul fiecărei operațiuni. Păstrați întotdeauna mixerul curat între operații. Cea mai mică urmă de material rămasă pe tambur se va întări și se va acumula de fiecare dată când utilizați aparatul până când acesta nu mai este funcțional.

Cimentul uscat trebuie să fie răzuit cu grijă din tambur. Nu folosiți o lopată, un ciocan sau alte instrumente pentru a sparge cu forță acumulările de amestec de ciment uscat din tambur, deoarece acestea ar putea deteriora grav mixerul.

Tamburul poate fi curățat timp de aproximativ 2 minute, folosind un amestec de pietriș și apă. După descărcarea amestecului de pietriș/apă, spălați cu furtunul ansamblul tamburului în interior și în exterior. Protecția IP44 a mixerului, vă permite să folosiți liber apă pe ansamblul tamburului în condiții de siguranță.



Nu turnați sau pulverizați apă direct peste capacul motorului. Aveți grijă în special să nu lăsați apa să se scurgă prin orificiile de ventilație.



Ștergeți capacul motorului cu o cârpă uscată. Nu utilizați benzină, terebentină sau diluant pentru vopsele, lichide de curățare uscată sau produse similare la curățarea mixerului. Utilizarea produselor chimice sau a solvenților poate afecta proprietățile capacului care a fost fabricat din polietilenă de înaltă densitate (PET).

## ÎNȚREȚINERE



Asigurați-vă că prelungitorul este întotdeauna scos din priză înainte de a scoate capacul motorului.

Cureaua de transmisie este tensionată constant și uniform de un jocheu cu arc. Nu este necesară nicio ajustare, în afară de un pic de lubrifiant pe arbore din când în când. Rulmenții sunt sigilați pe viață.



Schema electrică (Imaginea III) și diagrama componentelor din acest manual sunt prezentate doar în scop de referință. Nici producătorul, nici distribuitorul nu garantează cumpărătorului că acesta este calificat pentru a efectua reparații ale produsului sau că este calificat pentru a înlocui orice componentă a produsului. Numai tehnicienii calificați ar trebui să repare mixerul.

Orice întreținere și reparație efectuată la oricare dintre componentele electrice trebuie să fie efectuată de un electrician calificat.

**EL**

Τα ηλεκτρικά εργαλεία έχουν κατασκευαστεί με αυστηρά πρότυπα που έχει θέσει η εταιρεία και συνάδουν με τα ευρωπαϊκά πρότυπα ποιότητας. Για τα ηλεκτρικά εργαλεία της εταιρείας μας παρέχεται περίοδος εγγύησης 24 μηνών για ερασιτεχνική χρήση, 12 μηνών για επαγγελματική χρήση και 24 μηνών για τις μπαταρίες και τους φορτιστές. Η ισχύς της εγγύησης ξεκινά από την ημερομηνία αγοράς του προϊόντος. Αποδεικτικό του δικαιώματος της εγγύησης αποτελεί το παραστατικό αγοράς του εργαλείου (απόδειξη λιανικής ή τιμολόγιο). Σε καμία περίπτωση η εταιρεία δεν καλύπτει τη σχετική δαπάνη ανταλλακτικών και εργασίας εάν και εφόσον δε συνοδεύεται από αντίγραφο του παραστατικού αγοράς. Σε περίπτωση που η επισκευή πρέπει να γίνει στο service μας η δαπάνη μεταφοράς (από και προς) βαρύνει εκτός ολοκλήρου τον αποστολέα. Τα εργαλεία αποστέλλονται για την επισκευή τους στην εταιρεία ή σε εξουσιοδοτημένο συνεργείο με τον ενδεδειγμένο τρόπο και μέσο μεταφοράς.

**ΕΞΑΙΡΕΣΕΙΣ ΚΑΙ ΠΕΡΙΟΡΙΣΜΟΙ ΤΗΣ ΕΓΓΥΗΣΗΣ:**

- 1) Ανταλλακτικά που φθείρονται φυσιολογικά από τη χρήση τους (καρβουνάκια, καλώδιο, διακόπτες, φορτιστές, τσοκ κ.λ.π).
- 2) Εργαλεία που έχουν υποστεί ζημιές από τη μη συμμόρφωση με τις οδηγίες του κατασκευαστή.
- 3) Εργαλεία με ελλιπή συντήρηση.
- 4) Χρήση μη ενδεδειγμένων λιπαντικών ή εξαρτημάτων.
- 5) Εργαλεία που έχουν δοθεί χωρίς επιβάρυνση.
- 6) Βλάβη που οφείλεται σε ηλεκτρική σύνδεση σε τάση διαφορετική από την αναγραφόμενη στην πινακίδα συσκευής.
- 7) Σύνδεση σε μη γειωμένο ρευματοδότη.
- 8) Μεταβολή της τάσης του ρεύματος.
- 9) Βλάβη που προκύπτει από τη χρήση αλμυρού νερού (π.χ πλυστικά, αντλίες).
- 10) Βλάβη ή κακή λειτουργία που έχει προκύψει από πλημμελή καθαρισμό του εργαλείου.
- 11) Επαφή του εργαλείου με χημικά, ή βλάβη από υγρασία, διάβρωση.
- 12) Εργαλεία που έχουν υποστεί τροποποιήσεις – αλλαγές ή έχουν ανοιχτεί από μη εξουσιοδοτημένο συνεργείο.
- 13) Εργαλεία που χρησιμοποιούνται για ενοίκιαση.

Η εγγύηση καλύπτει αποκλειστικά τη δωρεάν αντικατάσταση του εξαρτήματος που έχει κατασκευαστικό ελάττωμα ή αστοχία υλικού. Σε περίπτωση έλλειψης ανταλλακτικού η εταιρεία διατηρεί το δικαίωμα αντικατάστασης του εργαλείου με άλλο αντίστοιχο μοντέλο. Μετά τη διεκπεραίωση εγγύησης δεν επιμηκύνεται ούτε ανανεώνεται ο χρόνος εγγύησης του εργαλείου. Αντικατάσταση ανταλλακτικού με χρέωση επισκευής, καλύπτεται από 1 χρόνο εγγύησης καλής λειτουργίας, με προϋπόθεση την τήρηση των όρων εγγύησης. Τα ανταλλακτικά ή τα εργαλεία τα οποία αντικαθίστανται παραμένουν στην κατοχή της εταιρείας μας. Άλλες απαιτήσεις, εκτός από αυτές που αναφέρονται σε αυτό το έντυπο εγγύησης επισκευής ή βλαβών ηλεκτρικών εργαλείων, δεν ισχύουν. Για την εγγύηση αυτή ισχύει το ελληνικό Δίκαιο.

**EN**

The power tools have been manufactured according to strict standards, set by our company, which are aligned with the respective European quality standards. The power tools of our company are provided with a warranty period of 24 months for non-professional use, 12 months for professional use and 24 months for chargers and batteries. The warranty is valid from the date of purchase of the product. Proof of the warranty right is the purchase document of the tool (retail receipt or invoice). Under no circumstances shall the company cover the relevant cost of spare parts and respective required working hours unless a copy of the purchase document is presented. In case the repair has to be done by our service department the cost of transportation (to and from) is entirely borne by the sender (client). The tools must be sent for repair to the company or to an authorized workshop in the appropriate way and means of transport.

**WARRANTY EXEMPTIONS AND RESTRICTIONS:**

- 1) Spare parts that wear out naturally as a consequence of being used (brushes, cables, switches, chargers, chokes etc.).
- 2) Tools damaged as a result of non-compliance with the instructions of the manufacturer.
- 3) Tools poorly maintained.
- 4) Use of improper lubricants or accessories.
- 5) Tools given to third entities free of charge.
- 6) Damage due to an electrical connection at a voltage other than that indicated on the appliance plate.
- 7) Connection to a non-earthed power supply.
- 8) Change in current voltage.
- 9) Damage resulting from the use of salty water (e.g., washing machines, pumps).
- 10) Damage or malfunction resulting from improper cleaning procedure of the tool.
- 11) Contact of the tool with chemicals, or damage as a result of moisture or corrosion.
- 12) Tools that have been modified or opened by unauthorized personnel.
- 13) Tools used for rent.

The warranty covers only the free of charge replacement of the component that presents a manufacturing defect or material failure. In case of lack of a specific spare part the company reserves the right to replace the tool with another corresponding model. After all warranty procedures have been concluded, the warranty period of the tool shall not be extended or renewed. Replacement of a spare part with repair charge is covered by a 1 year warranty of good operation, subject to compliance with the warranty terms. The spare parts or tools that are replaced remain in the possession of our company. Requirements, other than those mentioned in this warranty form, regarding power tools repair or damage thereof, do not apply. Greek law and relative regulations apply to this warranty.

**FR**

Les outils électriques sont fabriqués selon des normes strictes, établies par notre société et se sont alignées sur les normes de qualité européennes respectives. Les outils électriques de notre société sont bénéficiés d'une garantie de 24 mois pour une utilisation non professionnelle, 12 mois pour une utilisation professionnelle et de 24 mois pour les batteries et les chargeurs. La garantie est valable à partir de la date d'achat du produit. La preuve du droit à la garantie est le document d'achat de l'outil (ticket de caisse ou facture). En aucun cas, l'entreprise ne couvrira le coût des pièces de rechange et des heures de travail nécessaires si une copie du document d'achat n'est pas présentée. Si la réparation doit être effectuée par notre service après-vente, les frais de transport (aller-retour) sont entièrement à la charge de l'expéditeur (client). Les outils doivent être envoyés pour réparation à l'entreprise ou à un atelier agréé de la manière et avec le moyen de transport appropriée.

**EXEMPTIONS ET RESTRICTIONS DE GARANTIE:**

- 1) Les pièces de rechange qui s'usent naturellement suite à leur utilisation (balaise, câbles, interrupteurs, chargeurs, etc.).
- 2) Les outils endommagés à la suite du non-respect des instructions du fabricant.
- 3) Outils mal entretenus.
- 4) Utilisation de lubrifiants ou d'accessoires inappropriés.
- 5) Outils donnés à des tiers à titre gratuit.
- 6) Dommages dus à un mauvais branchement électrique ou à une tension différente de celle indiquée sur la plaque de l'appareil.
- 7) Connexion à une alimentation électrique non reliée à la terre.
- 8) Fluctuation de la tension inacceptable.
- 9) Dommages résultant de l'utilisation d'eau salée (par exemple, machines à laver, pompes).
- 10) Dommages ou dysfonctionnement résultant d'une procédure de nettoyage inadéquate de l'appareil.
- 11) Contact de l'outil avec des produits chimiques, ou dommages résultant de l'humidité ou de la corrosion.
- 12) Les outils qui ont été modifiés ou ouverts par du personnel non autorisé.
- 13) Les outils utilisés à location.

La garantie couvre uniquement le remplacement gratuit du composant qui présente un défaut de fabrication ou une défaillance matérielle. En cas d'absence d'une pièce de rechange spécifique, l'entreprise se réserve le droit de remplacer l'outil par un autre modèle correspondant. Après la conclusion de toutes les procédures de garantie, la période de garantie de l'outil ne sera pas prolongée ou renouvelée. Le remplacement d'une pièce de rechange, ainsi que les frais de réparation, sont couverts par une garantie de bon fonctionnement d'un an, sous réserve du respect des conditions de garantie. Les pièces de rechange ou les outils remplacés restent en possession de notre société. Les exigences, autres que celles mentionnées dans ce formulaire de garantie, concernant la réparation des outils électriques ou leur endommagement, ne sont pas applicables. La loi grecque et ses règlements s'appliquent à cette garantie.



**IT**

Gli elettrodomestici sono stati fabbricati secondo gli standard rigorosi, stabiliti dalla nostra azienda, che sono allineati con i rispettivi standard di qualità europei. Gli elettrodomestici della nostra azienda sono forniti con un periodo di garanzia di 24 mesi per uso non professionale, 12 mesi per uso professionale e 24 mesi per le batterie e i caricabatterie. La garanzia è valida dalla data di acquisto del prodotto. La prova del diritto di garanzia è il documento di acquisto dell'utensile (scontrino o fattura). In nessun caso l'azienda coprirà il relativo costo dei pezzi di ricambio e delle rispettive ore di lavoro necessarie se non viene presentata una copia del documento di acquisto. Nel caso in cui la riparazione debba essere effettuata dal nostro servizio di assistenza, il costo del trasporto (da e per) è interamente a carico del mittente (cliente). Gli utensili devono essere inviati per la riparazione all'azienda o ad un'officina autorizzata nel modo e nel mezzo di trasporto appropriato.

**ECCEZIONI E LIMITAZIONI ALLA GARANZIA:**

- 1) Pezzi di ricambio che si deteriorano naturalmente con l'uso (pezzi di consumo).
- 2) Utensili danneggiati dal mancato rispetto delle istruzioni del produttore.
- 3) Strumenti con manutenzione insufficiente.
- 4) Uso di lubrificanti o parti inappropriate.
- 5) Strumenti dati gratuitamente.
- 6) Guasto dovuto a un collegamento dell'aria compressa a una pressione diversa da quella indicata sulla targhetta dei dati tecnici.
- 7) Danni derivanti dall'uso di aria compressa impura e non filtrata.
- 8) Danni o malfunzionamenti derivanti da una pulizia inadeguata dell'utensile.
- 9) Contatto dell'utensile con prodotti chimici, o danni da umidità, corrosione.
- 10) Strumenti che hanno subito modifiche - cambiamenti o sono stati aperti da un'officina non autorizzata.
- 11) Strumenti utilizzati per il noleggio.
- 12) Strumenti che sono stati modificati o aperti da personale non autorizzato.
- 13) Strumenti utilizzati per il noleggio.

La garanzia copre solo la sostituzione gratuita del componente che presenta un difetto di fabbricazione o di materiale. In caso di mancanza di un pezzo di ricambio specifico, l'azienda si riserva il diritto di sostituire l'utensile con un altro modello corrispondente. Una volta concluse tutte le procedure di garanzia, il periodo di garanzia dell'utensile non potrà essere esteso o rinnovato. La sostituzione di un pezzo di ricambio, insieme al costo della riparazione, è coperta da una garanzia di buon funzionamento di 1 anno, a condizione che vengano rispettati i termini della garanzia. I pezzi di ricambio o gli utensili che vengono sostituiti rimangono in possesso della nostra azienda. I requisiti, diversi da quelli menzionati in questo modulo di garanzia, riguardanti la riparazione di utensili elettrici o il loro danneggiamento, non si applicano. La legge greca e i relativi regolamenti si applicano a questa garanzia.

**AL**

Mjetet e energjisë janë prodhuar sipas standardeve strikte, të vendosura nga kompania jonë, të cilat janë në përputhje me standardet respekti ve evropiane të cilësisë. Mjetet e energjisë të kompanisë sonë janë siguruar me një periudhë garancie prej 24 muajsh për përdorim jo profesional, 12 muaj për përdorim profesional dhe 24 muaj për bateritë dhe karikuesit. Garancia është e vlefshme nga data e blerjes së produkti t. Prova e së drejtës së garancisë është dokumenti i blerjes së mjeti t (faturë ose faturë me pakicë). Në asnjë rrethanë ndërmarrja nuk mbulon koston përkatëse të pjesëve të këmbimit dhe orarin përkatës të kërkuar të punës, përveç kur është paraqitur një kopje e dokumenti t të blerjes. Në rast se riparimi duhet të bëhet nga departamenti ynë i shërbimit kostoja e transporti t (për dhe nga) është tërësisht e mbajtur nga dërguesi (klienti). Mjetet duhet të dërgohen për riparim në ndërmarrje ose në një pun-ishte të autorizuar në mënyrën dhe mjetet e duhura të transporti t.

**PËRJASHTIMET DHE KUFIZIMET E GARANCISË:**

- 1) Pjesët rezervë që përdoren në mënyrë natyrale si pasojë e përdorur (furçat, kabllo, ndërruesit, karikuesit, mbyttjet etj.).
- 2) Veglat e dëmtuara si rezultat i mosrespektimit të udhëzimeve të prodhuesit.
- 3) Mjetet e mbajtura keq.
- 4) Përdorimi i lubrifikantëve ose aksesorëve të papërshtatshëm.
- 5) Mjetet që u jepen enteve të treta pa pagesë.
- 6) Dëmtimi për shkak të një lidhje elektrike në një tension tjetër nga ai i treguar në pllakën e pajisjes.
- 7) Lidhja me furnizimin me energji jo tokësore.
- 8) Ndryshimi i tensionit aktual.
- 9) Dëmtimet që vijnë si pasojë e përdorimit të ujit të kripur (p.sh., lavatrice, pompa).
- 10) Dëmtimi ose mosfunksionimi që rezultojn nga procedura e papërshtatshme e pastrimit të mjetit.
- 11) Kontakti i mjetit me kimikate, ose dëmtimi si pasojë e lagështisë ose korrozionit.
- 12) Mjete që janë modifikuar ose hapur nga personel i paautorizuar.
- 13) Veglat e përdorura për qira.

Garancia mbulon vetëm zëvendësimin pa pagesë të komponentit që paraqet një defekt prodhues ose dështim material. Në rast të mungesës së një pjese rezervë specifike kompania rezervon të drejtën për të zëvendësuar mjetin me një model tjetër përkatës. Pasi të jenë përfunduar të gjitha procedurat e garancisë, periudha e garancisë së mjetit nuk do të zgjatet ose të rinovohet. Zëvendësimi i një pjese rezervë, së bashku me ngarkesën e riparimit, mbulohet nga një garanci veprimi e mirë 1 vit, subjekt i përputhjes me kushtet e garancisë. Pjesët e këmbimit ose mjetet që zëvendësohen mbeten në zotërim të kompanisë sonë. Kërkesat, përveç atyre të përmendura në këtë formë garancie, në lidhje me riparimin ose dëmtimin e mjeteve të energjisë elektrike, nuk zbatohen. Ligji grek dhe rregullat relative zbatohen për këtë garancia.

**SRB**

Električni alati su proizvedeni prema strogim standardima koje je postavila naša kompanija a koji su usklađeni sa odgovarajućim evropskim standardima kvaliteta. Električni alati naše kompanije imaju garantni rok od 24 meseca za neprofesionalnu upotrebu, 12 meseci za profesionalnu upotrebu i 24 meseci za baterije i punjače. Garancija važi od dana kupovine proizvoda. Dokaz za pravo na garanciju je dokument o kupovini električnog alata (maloprodajni račun ili faktura). Ni pod kojim okolnosti ma kompanija neć e pokririti relevantne troškove rezervnih delova i potrebno odgovarajuć e i radno vreme ako se ne predoči kopija dokumenta o kupovini. U slučaju da popravku treba da uradi naš servis, troškove transporta (do i od) u potpunosti snosi pošiljalac (klijent). Električni alati za popravku se šalju u firmu gde su kupljeni ili u ovlašć eni servis i to tako da budu prikladno upakovani za transport.

**IZUZECI I OGRANIČENJA GARANCIJE:**

- 1) Rezervni delovi koji se prirodno troše kao posledica korišćenja (četkice, kablovi, prekidači, punjači, prigušnice itd).
- 2) Alati oštećeni kao posledica nepoštovanja uputstva proizvođača.
- 3) Alati su loše održavani.
- 4) Upotreba neodgovarajućih maziva ili pribora.
- 5) Alati su dati trećim licima besplatno.
- 6) Oštećenje usled električnog priključka na napon koji nije naznačen na pločici uređaja.
- 7) Povezivanje na neuzemljeno napajanje.
- 8) Promena napona struje.
- 9) Oštećenja nastala upotrebom slane vode (npr. mašine za pranje veša, pumpe).
- 10) Oštećenje ili kvar nastao kao posledica nepravilne procedure čišćenja alata.
- 11) Kontakt alata sa hemikalijama ili oštećenje usled vlage ili korozije.
- 12) Alati koje je modifikovalo ili otvorilo neovlašćeno osoblje.
- 13) Alati koji se koriste za iznajmljivanje.

Garancija pokriva samo besplatnu zamenu komponente koja ima fabričku grešku ili materijalne nedostatke. U slučaju nedostatka rezervnog dela, kompanija zadržava pravo zamene električnog alata drugim odgovarajućim modelom. Nakon isteka garantnog roka, garantni rok električnog alata se ne produžava niti obnavlja. Rezervni delovi ili Električni alati koji su zamenjeni ostaju u posedu naše kompanije. Zamena rezervnog dela, zajedno sa naplatom popravke, pokrivena je garancijom za 1 godinu dobrog rada, koja podleže poštovanju uslova garancije. Zahtevi, osim onih navedenih u ovom obrascu garancije, u vezi sa popravkom električnog alata ili njegovim oštećenjem ne važe. Na ovu garanciju se primenjuju grčki zakoni i odgovarajući propisi.

## EN WARRANTY

This power tool is a quality product. It was designed in compliance with current technical standards and made carefully using normal, good quality materials. The warranty period is 24 months for non-professional use, 12 months for professional use and commences on the date of purchase, which can be verified by the receipt, invoice or delivery note. During this warranty period all functional errors, which, despite the careful treatment described in our operating manual, are verifiably due to material flaws, will be rectified by our after-sales service staff. The warranty takes the form that defective parts will be repaired or replaced with perfect parts free of charge at our discretion. Replaced parts will become our property. Repair work or the replacement of individual parts will not extend the warranty period nor will it result in a new warranty period being commenced for the appliance. No separate warranty period will commence for spare parts that may be needed. We cannot offer a warranty for damage and defects on appliances or their parts caused by the use of excessive force, improper treatment and servicing. This also applies for failures to comply with the operating manual and the installation or spare and accessory parts that are not included in our range of products. In the event of interference with or modifications to the appliance by unauthorized persons, the warranty will be rendered void. Damages that are attributable to improper handling, over loading, or natural wear and tear are excluded from the guarantee. Damages caused by the manufacturer or by a material defect will be corrected at no charge by repair or by providing spare parts. The prerequisite is that the equipment is handed over assembled, and complete with the proof of sale and guarantee. For a guarantee claim, only use the original packaging. That way, we can guarantee quick and smooth guarantee processing. Please send us the appliances post-paid or request a Freeway sticker. Unfortunately we will be unable to accept appliances that are not postpaid. The warranty does not cover parts that are subject to natural wear and tear. If you wish to make a warranty claim, report faults or order spare parts or accessories, please contact the after-sales center: Subject to change without prior notice.

## DE GARANTIE

Dieses Elektrowerkzeug ist ein Qualitätsprodukt. Es wurde gemäß den aktuellen technischen Standards entworfen und sorgfältig mit normalen, hochwertigen Materialien hergestellt. Die Garantiezeit beträgt 24 Monate bei nicht-professioneller Nutzung und 12 Monate bei professioneller Nutzung und beginnt mit dem Kaufdatum, was anhand von Quittung, Rechnung oder Lieferschein überprüft werden kann. Während dieser Garantiezeit werden alle Funktionsfehler, die trotz der in unserer Bedienungsanleitung beschriebenen sorgfältigen Behandlung nachweislich auf Materialfehler zurückzuführen sind, von unseren Kundendienstmitarbeitern behoben. Die Garantie besteht in der Form, dass defekte Teile nach unserem Ermessen kostenlos repariert oder durch einwandfreie Teile ersetzt werden. Ersetzte Teile werden unser Eigentum. Reparaturarbeiten oder der Austausch einzelner Teile verlängern die Garantiezeit nicht und führen nicht zu einer neuen Garantiezeit für das Gerät. Für eventuell verbrauchte Ersatzteile beginnt keine gesonderte Gewährleistungsfrist. Wir können keine Garantie für Schäden und Mängel an Geräten oder deren Teilen geben, die durch übermäßige Gewaltanwendung, unsachgemäße Behandlung und Wartung verursacht wurden. Dies gilt auch für die Nichtbeachtung der Bedienungsanleitung und der Montage- oder Ersatz- und Zubehörteile, die nicht in unserem Sortiment enthalten sind. Bei Eingriffen in die Änderung durch unbefugte Personen am Gerät erlischt die Garantie. Schäden, die auf unsachgemäße Behandlung, Überlastung oder natürliche Abnutzung zurückzuführen sind, sind von der Garantie ausgeschlossen. Schäden, die vom Hersteller oder durch einen Materialfehler verursacht werden, werden durch Reparatur oder Ersatzteillieferung kostenlos behoben. Voraussetzung ist, dass das Gerät zusammen mit dem Verkaufsbeleg und der Garantie zusammengebaut übergeben wird. Verwenden Sie für einen Garantieanspruch nur die Originalverpackung. Auf diese Weise können wir eine schnelle und reibungslose Garantieabwicklung garantieren. Bitte schicken Sie uns die Geräte im Nachhinein oder fordern Sie einen Freeway-Aufkleber an. Geräte, die nicht nachbezahlt werden, können wir leider nicht akzeptieren. Die Garantie erstreckt sich nicht auf Teile, die einem natürlichen Verschleiß unterliegen. Wenn Sie einen Garantieanspruch geltend machen, Fehler melden oder Ersatzteile oder Zubehör bestellen möchten, wenden Sie sich bitte an das Kundendienstcenter: Änderungen vorbehalten.

## FR GARANTIE

Cet outil électrique est un produit de qualité. Il a été conçu conformément aux normes techniques en vigueur et fabriqué avec soin à l'aide de matériaux usuels et de qualité. La période de garantie est de 24 mois pour une utilisation non professionnelle et 12 mois pour une utilisation professionnelle et débute à la date d'achat. Elle peut être vérifiée sur le reçu, la facture ou le bon de livraison. Pendant cette période de garantie, toutes les erreurs de fonctionnement qui, malgré le traitement minutieux décrit dans notre manuel d'utilisation, sont dues à des défauts matériels, seront corrigées par notre service après-vente. La garantie prend la forme que les pièces défectueuses seront réparées ou remplacées par des pièces parfaites gratuitement à notre discrétion. Les pièces remplacées deviendront notre propriété. Les travaux de réparation ou le remplacement de pièces individuelles ne prolongeront pas la période de garantie et n'en traîneront pas le début d'une nouvelle période de garantie pour l'appareil. Aucune période de garantie séparée ne commencera pour les pièces de rechange susceptibles d'être utilisées. Nous ne pouvons pas offrir de garantie pour les dommages et les défauts des appareils ou de leurs pièces causés par l'utilisation d'une force excessive, un traitement ou un entretien inapproprié. Ceci s'applique également aux cas de non-respect du manuel d'utilisation et de l'installation ou des pièces détachées et accessoires non compris dans notre gamme de produits. En cas d'interférence avec des modifications apportées à l'appareil par des personnes non autorisées, la garantie sera annulée. Les dommages résultant d'une mauvaise manipulation, d'un chargement excessif ou d'une usure naturelle sont exclus de la garantie. Les dommages causés par le fabricant ou par un défaut matériel seront corrigés gratuitement par la réparation ou par la fourniture de pièces de rechange. La condition préalable est que le matériel soit remis assemblé et accompagné de la preuve de vente et de la garantie. Pour une demande de garantie, utilisez uniquement l'emballage d'origine. De cette manière, nous pouvons garantir un traitement rapide et sans heurts des garanties. S'il vous plaît envoyez-nous les appareils post-payés ou demandez un autocollant Freeway. Malheureusement, nous ne pourrions pas accepter les appareils non postpayés. La garantie ne couvre pas les pièces soumises à une usure naturelle. Si vous souhaitez faire une demande de garantie, signaler un défaut ou commander des pièces de rechange ou des accessoires, veuillez contacter le service après-vente: Sujet à modification sans préavis.

## ESP GARANTÍA

Esta herramienta eléctrica es un producto de calidad. Fue diseñado de acuerdo con las normas técnicas actuales y se hizo con cuidado utilizando materiales normales y de buena calidad. El período de garantía es de 24 meses para uso no profesional y de 12 meses para uso profesional y comienza en la fecha de compra, que puede verificarse mediante el recibo, la factura o la nota de entrega. Durante este período de garantía, todos los errores funcionales que, a pesar del tratamiento cuidadoso que se describen en nuestro manual de operación, son verificables debido a fallas materiales, serán corregidos por nuestro personal de servicio postventa. La garantía adquiere la forma de que las piezas defectuosas se repararán o reemplazarán con piezas perfectas de forma gratuita a nuestra discreción. Las partes reemplazadas se convertirán en nuestra propiedad. Los trabajos de reparación o el reemplazo de piezas individuales no ampliarán el período de garantía, no dará lugar a que se comience un nuevo período de garantía para el aparato. No se iniciará ningún período de garantía por separado para las piezas de repuesto que puedan ser utilizadas. No podemos ofrecer una garantía por daños y defectos en los aparatos o sus partes causados por el uso excesivo de la fuerza, el tratamiento y el servicio incorrectos. Esto también se aplica a las fallas en el cumplimiento del manual de operación y la instalación o piezas de repuesto y accesorios que no están incluidos en nuestra gama de productos. En caso de interferencia con modificaciones al aparato por parte de personas no autorizadas, la garantía quedará anulada. Los daños que son atribuibles a un manejo inadecuado, sobrecarga o desgaste natural están excluidos de la garantía. Los daños causados por el fabricante o por un defecto de material se corregirán sin costo alguno por reparación o proporcionando piezas de repuesto. El requisito previo es que el equipo se entregue ensamblado y se complete con el comprobante de venta y garantía. Para una reclamación de garantía, utilice únicamente el embalaje original. De esta manera, podemos garantizar un rápido y suave procesamiento de garantías. Por favor, envíenos los electrodomésticos con pospago o solicite una etiqueta de Freeway. Lamentablemente, no podremos aceptar aparatos que no sean de pospago. La garantía no cubre las piezas que están sujetas a desgaste natural. Si desea realizar un reclamo de garantía, informar fallas o solicitar piezas de repuesto o accesorios, comuníquese con el centro de postventa: Sujeto a cambios sin previo aviso.

## IT

### GARANZIA

Questo elettrodomestico è un prodotto di qualità. È stato progettato in conformità con le attuali norme tecniche e realizzato con attenzione utilizzando materiali normali di buona qualità. Il periodo di garanzia è di 24 mesi per uso non professionale e di 12 mesi per uso professionale e decorre dalla data di acquisto, che può essere verificata tramite ricevuta, fattura o bolla di consegna. Durante questo periodo di garanzia tutti gli errori funzionali, che, nonostante l'accurato trattamento descritto nel nostro manuale operativo, sono verificabili a causa di difetti dei materiali, verranno risolti dal nostro personale di assistenza post-vendita. La garanzia assume la forma che le parti difettose saranno riparate o sostituite con parti perfette gratuitamente a nostra discrezione. Le parti sostituite diventeranno di nostra proprietà. I lavori di riparazione o la sostituzione di singole parti non prolungheranno il periodo di garanzia, poiché non si verificherà un nuovo periodo di garanzia per l'apparecchio. Non inizierà alcun periodo di garanzia separato per i pezzi di ricambio che possono essere utilizzati. Non possiamo offrire una garanzia per danni e difetti su apparecchi o loro parti causati dall'uso di forza eccessiva, trattamento e manutenzione inadeguati. Ciò vale anche per il mancato rispetto o del manuale operativo e delle parti di installazione o di ricambio e accessori non inclusi nella nostra gamma di prodotti. In caso di interferenza con modifiche all'apparecchio da parte di persone non autorizzate, la garanzia sarà invalidata. Sono esclusi dalla garanzia i danni riconducibili a uso improprio, sovraccarico o usura naturale.

I danni causati dal produttore o da un difetto materiale verranno correte gratuitamente mediante riparazione o fornitura di pezzi di ricambio. Il presupposto è che l'attrezzatura sia consegnata assemblata e completa con la prova di vendita e garanzia. Per una richiesta di garanzia, utilizzare solo la confezione originale. In questo modo, possiamo garantirvi un'elaborazione della garanzia rapida e agevole. Vi preghiamo di inviarci gli elettrodomestici con post-pagamento o richiedere un adesivo Freeway. Purtroppo non saremo in grado di accettare apparecchi che non sono postpagati. La garanzia non copre parti soggette a usura naturale. Se si desidera presentare una richiesta di intervento in garanzia, segnalare guasti o ordinare pezzi di ricambio o accessori, contattare il centro assistenza: soggetto a modifiche senza preavviso.

## SLO

### GARANCIJA

Ta aprava je kakovosten izdelek. Zasnovan je bil v skladu z veljavnimi tehničnimi standardi in skrbno izdelan z običajnimi, kakovostnimi materiali. Garancijsko obdobje je 24 mesecev za neprofesionalno uporabo in 12 mesecev za profesionalno uporabo in se začne na dan nakupa, ki ga je mogoče preveriti s potrdilom o prejemu, računom ali dobavnico. V času garancijskega roka bodo vse funkcionalne napake, ki so kljub skrbni obdelavi, opisani v naših navodilih za uporabo, preverljive zaradi materialnih napak, odpravile naše servisno osebje. Garancija prevzame obliko, da bodo okvarjeni deli po lastni presoji brezplačno popravljeni ali zamenjani z brezhibnimi deli. Zamenjani deli bodo postali naša last. Popravila ali zamenjava posameznih delov ne podaljšujejo garancijskega roka, dokler ne začne veljati nova garancijska doba za napravo. Za rezervne dele, ki se lahko pojavijo, se ne bo začelo ločeno garancijsko obdobje. Ne moremo ponuditi garancije za poškodbe in napake na napravah ali njihovih delih zaradi uporabe prekomerne sile, nepravilne obdelave in servisiranja. To velja tudi za neupoštevanje navodil za uporabo in namestitve ali rezervnih delov in dodatkov, ki niso vključeni v našo paleto izdelkov. V primeru motenj v napravi s strani nepooblaščenih oseb, se garancija razveljavi. Poškodbe, ki so posledica nepravilnega ravnanja, obremenitve ali naravne obrabe, so izključene iz garancije. Poškodbe, ki jih povzroči proizvajalec ali materialna napaka, se bodo popravile ali popravile z zagotavljanjem rezervnih delov. Predpogoj je, da se oprema preda sestavljena in skupaj z dokazilom o prodaji in garancijo. Za garancijski zahtevek uporabite samo originalno embalažo. Tako lahko zagotovimo hitro in gladko obdelavo garancij. Prosimo, pošljite nam naprave po plačilu ali zahtevajte nalepko za Freeway. Na žalost ne bomo mogli sprejeti naprav, ki niso postpaid. Garancija ne zajema delov, ki so predmet naravne obrabe. Če želite vložiti zahtevek za garancijo, prijaviti napake ali naročiti nadomestne dele ali dodatno opremo, se obrnite na spodnji prodajni center: Pridržujemo si pravico do sprememb brez predhodnega obvestila.

## MLT

### GARANYIJA

Dan l-apparat huwa prodott ta' kwalità. Kienet imfassla f'konformità mal-istandards tekniċi attwali u saret b'attenzjoni bl-użu ta' materjali normali u ta' kwalità tajba. Il-perjodu tal-garanzija huwa ta' 24 xahar għal użu mhux professjonali u 12-il xahar għall-użu professjonali u jibda fid-data tax-xiri, li jista' jiġi vverifikat bir-riċevuta, fattura jew nota tal-kunsinna. Matul dan il-perjodu ta' garanzija l-iżbalji funzjonali kollha, li, minkejja t-trattament bir-reqq deskritt fil-manwal operattiv tagħna, huma verifikabbli minħabba difetti materjali, se jiġu kkoreġuti mill-istaff tagħna tas-servizz ta' wara l-bejgħ. Il-garanzija tiegħu l-forma li partijiet difettużi se jissewewew jew jiġu sostitwiti bi partijiet perfetti bla ħlas fid-diskreżjoni tagħna. Partijiet mibdula jsiru proprjetà tagħna. Ix-xogħol ta' tiswija jew is-sostituzzjoni ta' partijiet individwali ma jestendux il-perjodu ta' garanzija mhux se jirriżulta f'li jibda perjodu ġdid ta' garanzija għall-apparat. Ma jibda l-ebda perjodu ta' garanzija separat għal spare parts li jistgħu jiġu ted. Ma nistgħux noffru garanzija għal ħsara u difetti fuq l-apparat jew il-partijiet tagħhom ikkawżati mill-użu ta' forza eċċessiva, trattament mhux xieraq u manutenzjoni. Dan japplika wkoll għal nuqqasijiet ta' konformità mal-manwal tat-thaddim u l-installazzjoni jew partijiet ta' rikambju u aċċessorji li mhumiex inkluzi fil-firxa ta' prodotti tagħna. Fil-każ ta' interferenza ma' modifiki fl-apparat minn persuni mhux awtorizzati, il-garanzija ssir nulla. Ħsarat li huma attribwiti għal immaniġġjar hażin, tagħbija żejda, jew xedd u kedd naturali huma esklużi mill-garanzija. Danni kkawżati mill-manifattur jew minn difett materjali se jiġu kkoreġuti mingħajr ħlas permezz ta' tiswija jew billi jiġu pprovduti spare parts. Il-pre-rekwiżit huwa li t-tagħmir jiġi mġoddi immuntat, u komplut bil-prova tal-bejgħ u l-garanzija. Għal talba ta' garanzija, uża biss l-imballaġġ originali. B'dan il-mod, nistgħu niggarantixxu proċessar ta' garanzija malajr u bla xkiel. Jekk jogħġbok ibgħatilna l-appliances post-paid jew itlob stiker tal-Freeway. Sfortunatament ma nkunux nistgħu naċċettaw apparat li ma jithallasx wara. Il-garanzija ma tkoprix partijiet li huma soġġetti għal ilbies u kedd naturali. Jekk tixtieq tagħmel talba għall-garanzija, irrapporta ħsarat jew tordna spare parts jew aċċessorji, jekk jogħġbok ikkuntatt ja ċ-ċentru ta' wara l-bejgħ: Soġġett għal bidla mingħajr avviż minn qabel.

## SK

### ZÁRUKA

Tento spotřebič je kvalitní výrobek. Bol navrhnutý v súlade s platnými technickými normami a opatrne používal bežné a kvalitné materiály. Záručná doba je 24 mesiacov na neprofesionálne použitie a 12 mesiacov na profesionálne použitie a začína plynúť dátumom nákupu, ktorý je možné overiť potvrdením, faktúrou alebo dodacím listom. Počas tejto záručnej lehoty všetky funkčné chyby, ktoré napriek starostlivej úprave popísanej v našom návode na obsluhu sú overiteľné z dôvodu materiálnych nedostatkov, opravia naši pracovníci popredajného servisu. Záruka má formu, že vadné časti budú opravené alebo nahradené perfektnými dielmi bezplatne podľa nášho uváženia. Nahradené diely sa stanú našimi vlastnosťami. Opravné práce alebo výmena jednotlivých dielov predĺženie záručnej lehoty névedie k vzniku novej záručnej lehoty pre spotrebič. Za náhradné diely, ktoré môžu byť dodané, sa nezačína samostatná záručná lehota. Nemôžeme ponúknuť záruku na poškodenie a poškodenie spotrebičov alebo ich častí spôsobené nadmernou silou, nesprávnou obsluhou a servisom. Platí to aj pre poruchy v súlade s návodom na obsluhu a inštaláciou alebo náhradnými dielmi a príslušenstvom, ktoré nie sú súčasťou našej ponuky. V prípade zásahu do modifikácie spotrebiča neoprávnenými osobami sa záruka stane neplatnou. Škody, ktoré sú spôsobené nesprávnou manipuláciou, nadmerným zaťažením alebo prirodzeným opotrebovaním, sú z záruky vylúčené. Škody spôsobené výrobcom alebo chybou materiálu budú opravené bezplatne opravou alebo poskytnutím náhradných dielov. Predpokladom je, že zariadenie je odovzdané a kompletné s dokladom o predaji a zárukou. Pokiaľ ide o nárok na záruku, použite iba pôvodný obal. Týmto spôsobom môžeme zaručiť rýchle a plynulé spracovanie záruky. Pošlite nám, prosím, spotrebiče, ktoré ste už zaplatili, alebo požiadajte o nálepku Freeway. Bohužiaľ nebudeme môcť prijať zariadenia, ktoré nie sú vyplatené. Záruka sa nevzťahuje na časti, ktoré sú vystavené prirodzenému opotrebovaniu. Ak chcete požiadať o záruku, oznámiť chyby alebo objednať náhradné diely alebo príslušenstvo, obráťte sa na nižšie uvedené stredisko popredajného servisu: Podliehajú zmenám bez predchádzajúceho upozornenia.

## BG ГАРАНЦИЯ

Този уред е качествен продукт. Той е проектиран в съответствие с действащите технически стандарти и е направен внимателно при използване на нормални, качествени материали. Гаранционният срок е 24 месеца за непрофесионално ползване и 12 месеца за професионална употреба и започва да тече от датата на покупката, която може да бъде потвърдена с квитанция, фактура или документ за доставка. По време на този гаранционен период всички функционални грешки, които, въпреки внимателното третиране, описано в нашето ръководство за експлоатация, са проверими поради материални недостатъци, ще бъдат отстранени от нашия сервизен персонал. Гаранцията приема формата, в която дефектните части ще бъдат ремонтирани или заменени с перфектни части безплатно по наше усмотрение. Подменените части ще станат наша собственост. Ремонтните работи или подмяната на отделни части няма да удължат гаранционния срок, без това да доведе до започване на нов гаранционен период за уреда. За резервни части, които могат да бъдат поставени, няма да започне отделен гаранционен срок. Не можем да предложим гаранция за повреди и дефекти на уредите или техните части, причинени от използването на прекомерна сила, неправилно третиране и обслужване. Това важи и за неспазване на ръководството за експлоатация и инсталацията, както и резервни и допълнителни части, които не са включени в нашата гама от продукти. В случай на намеса в модификации на уреда от неупълномощени лица, гаранцията ще бъде премахната. Щети, които се дължат на неправилно боравене, натоварване или естествено износване, са изключени от гаранцията. Щети, причинени от производителя или от дефект на материала, ще бъдат поправени без заплащане чрез ремонт или чрез предоставяне на резервни части. Предпоставка е оборудването да се съблява и да се допълни с доказателство за продажба и гаранция. За гаранционна претенция използвайте само оригиналната опаковка. По този начин можем да гарантираме бърза и гладка обработка на гаранциите. Моля, изпратете ни уредите след плащане или заявете стикер на Freeway. За съжаление няма да можем да приемаме уреди, които не са с абонамент. Гаранцията не покрива части, които са обект на естествено износване. Ако желаете да направите гаранционна претенция, да съобщите за неизправности или да поръчате резервни части или аксесоари, моля свържете се с центъра за поддръжка: Подлежи на промяна без предизвестие.

## RO GARANȚIE

Acest aparat este un produs de calitate. A fost proiectat în conformitate cu standardele tehnice actuale și a făcut cu atenție materiale normale, de bună calitate. Perioada de garanție este de 24 de luni pentru uz neprofesionist și de 12 luni pentru uz profesional și începe la data cumpărării, care poate fi verificată prin chitanță, factură sau buletin de livrare. În timpul acestei perioade de garanție, toate erorile funcționale, care, în ciuda tratamentului atent descris în manualul nostru de utilizare, sunt verifiabile din cauza defectelor materiale, vor fi rectificate -cate de personalul nostru de service post-vânzare. Garanția ia forma faptului că piesele defecte vor fi reparate sau înlocuite cu piese perfecte gratuit, la discreția noastră. Piesele înlocuite vor deveni proprietatea noastră. Lucrările de reparații sau înlocuirea pieselor individuale nu vor prelunge perioada de garanție, deoarece nu vor duce la începerea unei noi perioade de garanție pentru aparat. Nu se va începe nici o perioadă de garanție separată pentru piesele de schimb care pot fi incluse. Nu putem oferi o garanție pentru defecțiunile și defectele aparatelor sau ale pieselor acestora cauzate de utilizarea forței excesive, tratarea necorespunzătoare și întreținerea. Acest lucru se aplică și în caz de nerespectare a manualului de utilizare și a pieselor de instalare sau de rezervă și accesoriilor care nu sunt incluse în gama noastră de produse. În caz de interferență cu modifiările carele aduse aparatului de către persoane neautorizate, garanția va fi anulată. Daunele care pot fi atribuite manipulării necorespunzătoare, supraîncălzirii sau uzurii naturale sunt excluse din garanție. Deteriorările cauzate de producător sau de un defect material vor fi corectate gratuit, prin reparații sau prin furnizarea de piese de schimb. Condiția prealabilă este ca echipamentul să fi predat în asamblare și să fi completat cu dovada vânzării și a garanției. Pentru o cerere de garanție, utilizați numai ambalajul original. În acest fel, putem garanta procesarea rapidă și fără probleme a garanției. Trimiteți-ne aparatele post-plăți te sau solicitați un autocolant Freeway. Din păcate, nu vom putea accepta dispozitive care nu sunt plătiți te postpaid. Garanția nu acoperă piese care sunt supuse uzurii naturale. Dacă doriți să solicitați o garanție, să semnalați defecțiuni sau să comandați piese de schimb sau accesorii, vă rugăm să contactați centrul de asistență tehnică: Pot fi modificate fără o notificare prealabilă.

## NMK GARANCIJA

Oвој уред е квалитетен производ. Дизајниран е во согласност со тековните технички стандарди и направен е внимателно со употреба на нормални, квалитетни материјали. Гарантниот период е 24 месеци за непрофесионална употреба и 12 месеци за професионална употреба и започнува на датумот на купување, што може да се потврди со потврда, фактура или испратница. За време на овој гарантен период, сите функционални грешки, кои, и покрај внимателниот третман опишан во нашето упатство за работа, се проверливи поради материјални недостатоци, ќе бидат поправени од нашиот персонал по продажбата. Гаранцијата има форма дека неисправните делови ќе бидат поправени или заменети со совршени делови бесплатно по наша дискреција. Заменетите делови ќе станат наша сопственост. Работата за поправка или замената на поединечни делови нема да го продолжи гарантниот период и нема да резултира со започнување на нов гарантен период за апаратот. Нема да започне посебен гарантен период за резервните делови што може да се тераат. Не можеме да понудиме гаранција за оштетувања и дефекти на апаратите или нивните делови предизвикани од употреба на прекумерна сила, несоодветен третман и сервисирање. Ова исто така важи и за неусогласеност со упатството за работа и инсталацијата или резервните и дополнителните делови кои не се вклучени во нашата палета на производи. Во случај на мешање на модификации на апаратот од страна на неовластени лица, гаранцијата ќе се поништи. Штетите што се припишуваат на неправилно ракување, прекумерно оптоварување или природно абеење се исклучени од гаранцијата. Штетите предизвикани од производителот или од материјален дефект ќе се коригираат бесплатно со поправка или со обезбедување резервни делови. Предуслов е опремата да биде предадена склопена, и комплетна со доказ за продажба и гаранција. За гаранција, користете го само оригиналното пакување. На тој начин, можеме да гарантираме брза и непречена обработка на гаранциите. Ве молиме испратете ни ги апаратите пост-пејд или побарајте налепница за автопат. За жал, нема да можеме да прифатиме апарати што не се постпејд. Гаранцијата не опфаќа делови кои се предмет на природно абеење и кинење. Доколку сакате да поднесете барање за гаранција, да пријавите дефекти или да нарачате резервни делови или додатоци, ве молиме контактирајте го постпродажниот центар: Може да се промени без претходна најава.

## HUN GARANCIA

Ez a készülék minőségi termék. Úgy tervezték, hogy megfeleljen a jelenlegi műszaki szabványoknak, és gondosan, normál, jó minőségű anyagokkal készült. A jótállási idő nem professzionális használat esetén 24 hónap, szakmai használat esetén 12 hónap, és a vásárlás napján kezdődik, amelyet a kézszévtel, a számla vagy a kézbesítési értesítés igazolhat. A garanciaidő alatt minden olyan funkcionális hiba, amely az üzemeltetési utasításunkban leírt gondos kezelés ellenére bizonyíthatóan az anyagi hibák miatt következik be, a vevőszolgáltatunk javítja. A garancia olyan formája, hogy a hibás alkatrészek javítása vagy cseréje a tökéletes alkatrészekkel ingyenes. A cserélt részek tulajdonunk lesz. A javítási munkák vagy az egyes részek cseréje nem hosszabbítja meg a jótállási időszakot, és nem eredményez új garanciaidő megkezdését a készülék számára. Nincs külön garanciaidő a pótalkatrészek esetén. Nem nyújtunk garanciát a készülékek vagy alkatrészeik károsodására és hibáira a túlzott erő, a helytelen kezelés és a karbantartás miatt. Ez vonatkozik az üzemeltetési utasítás és a telepítés, illetve a tartalék és tartozék alkatrészeinek meg nem felelésére is, amelyek nem tartoznak a termékínálatunkba. Abban az esetben, ha a készülék jogosulatlan személy általi módosításai zavarnak, a garancia érvényét veszti. A nem megfelelő kezelés, a terhelés vagy a természetes kopás okozta károk nem tartoznak a garancia hatálya alá. A gyártó vagy az anyaghiba által okozott károkat a javítás vagy a pótalkatrészek beszerzése nélkül kijavítják. Az előfeltétel az, hogy a berendezést összeszerelték, és az értékesítés és a garancia igazolásával kiegészüljön. A garancia igényléséhez csak az eredeti csomagolást használja. Így garantálhatjuk a gyors és zökkenőmentes garanciafeldolgozást. Kérjük, küldje el nekünk a készüléket utólag fizetett vagy kérjen Freeway matricát. Sajnos nem tudjuk elfogadni a nem utólag fizetett készülékeket. A garancia nem terjed ki a természetes kopásnak kitett alkatrészekre. Ha garanciális igényt kíván nyújtani, hibákat jelenteni vagy pótalkatrészeket vagy tartozékokat rendelni, kérjük, vegye fel a kapcsolatot az alábbi értékesítési központtal: Előzetes értesítés nélkül változhat.

## POL GWARANCJA

To urządzenie jest produktem wysokiej jakości. Został zaprojektowany zgodnie z aktualnymi standardami technicznymi i wykonany starannie przy użyciu zwykłych, dobrej jakości materiałów. Okres gwarancji wynosi 24 miesiące w przypadku użytku nieprofesjonalnego i 12 miesięcy w przypadku użytku profesjonalnego i rozpoczyna się w dniu zakupu, który można zweryfikować za pomocą paragonu, faktury lub dowodu dostawy. W okresie gwarancji wszystkie błędy funkcjonalne, które pomimo starannego traktowania opisanego w naszej instrukcji obsługi, są weryfikowalne przez wady materiałowe, zostaną naprawione przez nasz personel obsługi posprzedażnej. Gwarancja ma formę, w której wadliwe części zostaną naprawione lub wymienione na części zamiennie bezpłatnie według naszego uznania. Wymienione części staną się naszą własnością. Naprawa lub wymiana pojedynczych części nie przedłuży okresu gwarancji, nie spowoduje to rozpoczęcia nowego okresu gwarancyjnego dla urządzenia. Nie rozpocznie się oddzielny okres gwarancji na części zamiennie, które mogą być używane. Nie możemy zaoferować gwarancji na uszkodzenia i usterki urządzeń lub ich części spowodowane użyciem nadmiernej siły, niewłaściwego traktowania i serwisowania. Dotyczy to również nieprzestrzegania instrukcji obsługi i instalacji lub części zamiennych i akcesoriów, które nie są zawarte w naszej ofercie produktów. W przypadku ingerencji w modyfikacje urządzenia przez osoby nieuprawnione, gwarancja zostanie unieważniona. Szkody, które można przypisać niewłaściwej obsłudze, nadmiernemu obciążeniu lub naturalnemu zużyciu, są wyłączone z gwarancji. Uszkodzenia spowodowane przez producenta lub wadę materiałową zostaną naprawione bezpłatnie przez naprawę lub przez dostarczenie części zamiennych. Warunkiem wstępnym jest przekazanie sprzętu w komplecie wraz z dowodem sprzedaży i gwarancją. W przypadku reklamacji należy używać tylko oryginalnego opakowania. W ten sposób możemy zagwarantować szybkie i płynne przetwarzanie gwarancji. Prześlij nam urządzenia post-paid lub zamów naklejkę na autostradę. Niestety nie będziemy mogli akceptować urządzeń, które nie są opłacane z dołu. Gwarancja nie obejmuje części ulegających naturalnemu zużyciu. Jeśli chcesz zgłosić roszczenie gwarancyjne, zgłoś usterki lub zamówić części zamiennie lub akcesoria, skontaktuj się z następującym centrum obsługi posprzedażnej: Zastrzega się możliwość zmian bez uprzedzenia.

## ALB GARANCIA

Kjo pajisje është një produkt cilësor. Washtë hartuar në përputhje me standardet aktuale teknike dhe është bërë me kujdes duke përdorur materiale normale, me cilësi të mirë. Periudha e garancisë është 24 muaj për përdorim jo profesional dhe 12 muaj për përdorim profesional dhe fillon në datën e blerjes, e cila mund të vërtetohet me faturën, faturën ose dorëzimin. Gjatë kësaj periudhe garancie, të gjitha gabimet funksionale, të cilat, përkundër trajtimit të kujdesshëm të përkthuesit në manualin tonë të funksionimit, janë verifikueshëm për shkak të metave të materialit, do të korrigjohen nga stafi ynë i shërbimit pas shitjes. Garancia merr formën që pjesët e dëmtuara do të riparohen ose zëvendësohen me pjesët të përsosura falas, sipas gjykimit tonë. Pjesët e zëvendësuara do të bëhen pronë jonë. Puna e riparimit ose zëvendësimit i pjesëve individuale nuk do të zgjasë periudhën e garancisë, por nuk do të rezultojë në fillimin e një periudhe të re garancie për pajisjen. Asnjë periudhë e veçantë e garancisë nuk do të fillojë për pjesët rezervë që mund të merren. Ne nuk mund të ofrojmë një garanci për dëmtimin dhe defektet e pajisjeve ose pjesëve të tyre të shkaktuara nga përdorimi i forcës së tepërt, trajtimi dhe shërbimi i pahijshëm. Kjo gjithashtu vlen për dështimet në përputhje me manualin e funksionimit dhe instalimin ose pjesët rezervë dhe aksesorë që nuk përfshihen në gamën tonë të produkteve. Në rast ndërhyrjeje në modifikimet e pajisjes nga persona të paautorizuar, garancia do të hiqet. Dëmet që mund t'i atribuohen trajtimit të pahijshëm, ngarkimit të tepërt, ose konsumit natyror, përjashtohen nga garancia. Dëmet e shkaktuara nga prodhuesi ose nga një defekt i materialit do të korrigjohen pa pagesë me riparim ose duke siguruar pjesë këmbimi. Parakushti është që pajisjet të dorëzohen të montuara, dhe të kompletuara me provën e shitjes dhe garancisë. Për një kërkesë garancie, përdorni vetëm paketimin origjinal. Në atë mënyrë, ne mund të garantojmë përpunim të shpejtë dhe të qetë të garancisë. Ju lutemi na dërgoni pajisjet me postë të paguar ose kërkoni një afishe autostradë. Për fat të keq, ne nuk do të jemi në gjendje të pranohim pajisje që nuk janë me kontratë. Garancia nuk përfshin pjesë që i nënshtrohen konsumit natyror. Nëse dëshironi të bëni një kërkesë për garanci, të raportoni gabime ose të porosisni pjesë rezervë ose pajisje, ju lutemi kontaktoni qendrën pas shitjes: Subjekti për të ndryshuar pa njëfjalë im paraprak.

## HR JAMSTVO

Ovaj je uređaj kvalitetan proizvod. Dizajniran je u skladu s trenutnim tehničkim standardima i izrađen je pažljivo koristeći normalne, kvalitetne materijale. Garancijsko razdoblje je 24 mjeseca za neprofesionalnu upotrebu i 12 mjeseci za profesionalnu uporabu i započinje datumom kupnje, što se može potvrditi potvrdom primitka, računa ili dostavnice. Tijekom ovog jamstvenog razdoblja sve će funkcionalne pogreške, koje su unatoč pažljivom postupanju opisanom u našem priručniku za upotrebu provjerljivo zbog materijalnih nedostataka, otkloniti od strane našeg servisnog osoblja. Jamstvo ima oblik da će se oštećeni dijelovi besplatno popraviti ili zamijeniti savršenim dijelovima, po našem nahođenju. Zamijenjeni dijelovi postat će naše vlasništvo. Popravak ili zamjena pojedinih dijelova neće produžiti jamstveno razdoblje, jer neće rezultirati novim jamstvenim rokom za uređaj. Neće započeti zasebni jamstveni rok za rezervne dijelove koji se mogu trošiti. Ne možemo pružiti jamstvo za oštećenja i oštećenja uređaja ili njihovih dijelova uzrokovanih prekomjernom silom, nepravilnim postupanjem i servisiranjem. To se također odnosi i na neusklađivanje s uputama za uporabu i instalacijskim ili rezervnim i pomoćnim dijelovima koji nisu uključeni u naš asortiman proizvoda. U slučaju ometanja neovlaštenih osoba na izmjenama uređaja, jamstvo će se poništiti. Oštećenja koja se mogu pripisati nepravilnom rukovanju, preopterećenju ili prirodnom habanju isključena su iz jamstva. Štete uzrokovane proizvođačem ili oštećenjem materijala ispravit će se besplatnim popravkom ili osiguravanjem rezervnih dijelova. Predviđet je da se oprema preda u sastavu, zajedno s dokazom o prodaji i garancijom. Za garancijski zahtjev koristite samo originalno pakiranje. Na taj način možemo jamčiti brzu i glatku obradu jamstava. Pošaljite nam uređaje naknadno ili zatražite naljepnicu autoputa. Nažalost, nećemo biti u mogućnosti prihvatiti uređaje koji nisu pretplaćeni. Jamstvo ne obuhvaća dijelove koji su podložni prirodnom habanju. Ako želite podnijeti zahtjev za jamstvom, prijaviti kvarove ili naručiti rezervne dijelove ili pribor, molimo kontakti rajte dolje prodajni centar: Podložno promjenama bez prethodne najave.

## SRB ГАРАНЦИЈА

Ovaj aparat je kvalitetan proizvod. Dizajniran je u skladu sa trenutnim tehničkim standardima i rađen pažljivo koristeći normalne, kvalitetne materijale. Garantni rok je 24 meseca Garantni rok je 24 meseca za neprofesionalno korišćenje i 12 meseci za profesionalnu upotrebu i započinje danom kupovine, što se može verifikovati primaњem, fakturom ili otpremnicom. Tokom ovog garantnog perioda, sve funkcionalne greške koje se, uprkos pažljivom postupanju opisanom u našem uputstvu za upotrebu, verovatno mogu proveriti zbog materijalnih nedostataka, otkloniће od strane нашег сервисног особља. Гаранција добија облик да ће се неисправни делови поправити или заменити савршеним деловима бесплатно по нашем нахођењу. Замењени делови постаће наше власништво. Поправци или замена појединих делова неће продужити гарантни рок јер неће резултирати новим гаранцијским роком за апарат. Неће почети посебан гарантни рок за резервне делове који се могу напунити. Не можемо пружити гаранцију за оштећења и оштећења уређаја или њихових делова насталих прекомерном силом, неправилним третманом и сервисирањем. Ово се такође односи и на непоштовање упутства за употребу и инсталационих или резервних и помоћних делова који нису обухваћени нашим асортиманом производа. У случају ометања модификација уређаја од стране неовлашћених особа, гаранција ће се поништити. Оштећења која се могу приписати неправилном руковању, преоптерећењу или природном хабању су искључена из гаранције. Оштећења настала од стране произвођача или оштећења материјала исправљаће се или поправљањем резервних делова бесплатно. Предуслов је да се опрема преда у саставу, заједно са доказом о продаји и гаранцијом. За захтев о гаранцији користите само оригинално паковање. На тај начин можемо гарантовати брзу и глатку обраду гаранција. Пошаљите нам уређаје накнадно или затражите налепницу са аутопута. Нажалост, нећемо бити у могућности да прихватимо уређаје који нису плаћени. Гаранција не покрива делове који су изложени природном хабању. Ако желите да поднесете захтев за гаранцијом, пријавите грешке или наручите резервне делове или додатну опрему, молимо контактирајте доњи продајни центар: Могу се променити без претходне најаве.

