

BORMANN®



BEW5100

053507



v2.2



WWW.NIKOLAOOUTOOLS.GR

2 YEARS
WARRANTY

SYMBOLS



Carefully read the operator's manual.



WARNING!



Double insulation.



Wear protective earplugs.



Wear safety glasses.



Wear a breathing mask.

GENERAL SAFETY PRECAUTIONS

When using any equipment, certain safety precautions must be taken to avoid injury and/or damage. Please read this manual carefully before using the tool. Keep this operator's manual for future reference.

CAUTION: Read all safety regulations and instructions. Not following all safety precautions may result in electric shock, fire and/or serious injury.

The term "power tool" used in this manual refers to power tools powered by electricity (with a power cord) and battery-powered power tools (without a power cord).

Workplace safety

- Keep your workplace clean and well lit. Untidy or poorly lit workplaces can result in accidents.
- Do not use the power tool in an environment where there is a risk of explosion and where there are flammable liquids, gases or dust. Power tools produce sparks that could ignite dust or vapours.
- Do not allow bystanders, children or animals into your work area. If there is a distraction, you may lose control of the appliance.

Electrical safety

- The plug from the power tool must be plugged into a properly grounded installed outlet. Never modify the plug in any way. Never use adaptor plugs with grounded power tools. Unaltered plugs and correct sockets reduce the risk of electric shock.
- Avoid body contact with grounded surfaces like refrigerators, pipes and radiators when using electric powered tools. This will reduce the likelihood of shock.
- Do not expose electric power tools to rain or wet conditions. Wet tools increase the likelihood of electric shock.
- Do not abuse the cord. Never use the cord for carrying, pulling or unplugging the power tool. Damaged or entangled cables increase the risk of an electric shock.
- Keep power cords away from heat, water, oil, sharp edges and moving parts. They can damage the insulation and cause a shock.
- If you are working outdoors with an electric tool, only use extension cables which are designed and marked specifically for this purpose.
- If operation of the electric tool in a damp environment can not be avoided, use an earth-leakage circuit breaker (ELCB) to reduce the risk of an electric shock.

Personal safety

- Be alert, watch your movements and use a power tool with care. Do not use the tool if you are tired or under the influence of medication, alcohol or other substances. A moment of negligence when using the power tool can result in serious injury.
- The use of personal protective equipment (such as dust masks, non-slip safety shoes, safety helmet or earplugs depending on the type and use of the power tool) reduces the risk of injury. Always wear safety goggles.
- Make sure the tool cannot start accidentally. Make sure that the electric tool is switched off before you connect it to the power supply and/or insert the battery, or when picking it up or carrying it. Plugging the appliance in when it is switched on, or moving the power tool with your finger on the power switch, may accidentally start the tool and lead to accidents.
- Remove keys and wrenches before switching on the electric tool. A tool or key coming into contact with rotating parts of the tool can result in damage or injury.
- Do not overreach. Keep proper footing and balance at all times. This enables better control of the power tool in unexpected situations.
- Wear suitable work clothes. Keep hair, clothes and gloves away from moving parts. Do not wear loose clothing or jewellery. Loose clothing, jewellery or long hair can get caught in moving parts.
- If vacuum and drainage devices can be fitted on the tool, make sure that they are correctly connected and used. The use of a dust extraction system can reduce dust-related hazards.

Power tool safety

- Do not overstrain the tool. Use the right tool for each task. You will be able to work better and more safely within the specified performance parameters.
- Do not use a power tool with a defective power switch. A power tool that cannot be switched on or off is dangerous and must be repaired.
- Unplug the tool and/or remove the battery before making any adjustments to the tool, switching attachments or putting the tool down or in storage. This safety measure prevents the power tool from starting up unintentionally.
- Keep the electric tool out of the reach of children and untrained users. Only people who have read and understand completely all safety instructions can use the power tool. Power tools can be dangerous if used by inexperienced users.
- Clean your power tool carefully. Check that the moving parts work properly and do not jam and that there are no parts broken or damaged to such an extent that the operation of the power tool is affected. Contact an authorised service centre for any repairs needed before using the tool. Poorly maintained power tools can cause serious damage or harm.
- Keep any cutting tools sharp and clean. Carefully maintained cutting tools with sharp cutting edges are less likely to jam and are easier to control.
- Use the power tools, accessories, attachments, etc. in accordance with these instructions. Take into account the conditions of your workplace and the task at hand. Using power tools for any purpose other than that for which they are intended can lead to dangerous situations.

Service

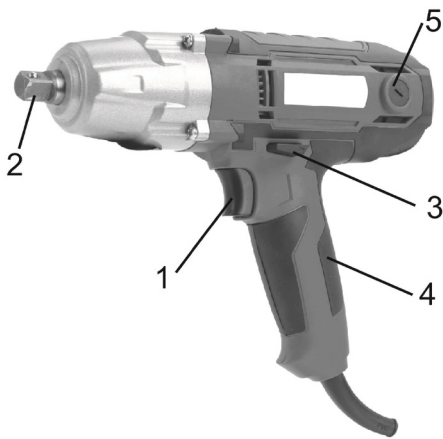
Have your power tool repaired only by trained personnel using only authentic spare parts. This will ensure that your power tool is always safe to use.

Impact wrench safety instructions

- a) Use the wrench correctly. Only use the impact wrench in the manner and for the functions described in this manual.
- b) Check for misalignment or poor fastening of moving parts, damage to parts and any other condition that may affect the operation of the tool. If damaged, have the tool serviced before use.
- c) Use only accessories recommended by the manufacturer for your model. Accessories that are not suitable for your tool may cause injury or damages.
- d) Choose the right sockets according to the size of the bolt and nut and for the size of the square drive. Use of wrong sockets will result in damages the bolt and tool. The specification of bolt, nut and required torque must accord with the precision class of the bolt, nut and national standard. Use only impact wrench sockets. Do not use standard sockets.
- e) Do not force tool. When tightening a nut or bolt, never allow the wrench to impact more than 7-8 times to avoid over tightening. Finish tightening the wheel nuts with a torque wrench or suitable spanner to the wheel nut torque recommended by the tool manufacturer.
- f) Carefully maintain the tool's power cable. Keep the cable well away from the machine and make sure you are working close to an electrical supply, so that the operation is not restricted by the length of the cable. If working outdoors, always use an approved cable extension suitable for the power rating of this tool.
- g) When using a cable reel, always unwind the cable completely.
- h) Do not use tool if the switch does not turn it on or off. Any tool that cannot be controlled with the switch is dangerous and must be repaired.
- i) Disconnect the plug from the power source before making any adjustments, changing accessories, or storing the tool. Such preventive safety measures reduce the risk of starting the tool accidentally.
- j) Store idle tools out of reach of children and other untrained persons. Tools can be dangerous in the hands of untrained users.
- k) Maintain tools with care. Keep tools in a good condition and make sure they are clean. Properly maintained tools are less likely to malfunction and are easier to control.

NOTE: Torque and speed may vary depending on the operating time. When you want to assemble or disassemble a bolt, you want keep the tool running for more than 5 seconds. Keeping the tool running for more than 5 seconds, does not equal higher torque. The torque will also vary according to different size of bolt. Not using the appropriate sockets according to the size of the bolt and nut will also impact torque and speed.

SPECIFICATIONS



Description

- 1. ON/OFF switch
- 2. 1/2" square drive (13mm)
- 3. Direction of rotation switch
- 4. Handle
- 5. Carbon brush replacement

Size of Bolt - Torque

- M10-M12: 40-80 Nm
- M12-M14: 100-200 Nm
- M14-M18: 120-200 Nm
- M18-M24: 200-320 Nm

| Technical Data | |
|------------------|------------------------------|
| Model | BEW5100 |
| Voltage | 230V/50hz |
| Power | 450W |
| No-load speed | 3600r/min |
| Torque | 350Nm reverse, 100Nm forward |
| Shaft | 1/2" |
| Cable Length | 2m |
| Includes sockets | 17 / 19 / 21 / 22mm |

* The manufacturer reserves the right to make minor changes to product design and technical specifications without prior notice unless these changes significantly affect the performance and safety of the products. The parts described / illustrated in the pages of the manual that you hold in your hands may also concern other models of the manufacturer's product line with similar features and may not be included in the product you just acquired.

* To ensure the safety and reliability of the product and the warranty validity, all repair, inspection, repair or replacement work, including maintenance and special adjustments, must only be carried out by technicians of the authorized service department of the manufacturer.

* Always use the product with the supplied equipment. Operation of the product with non-provided equipment may cause malfunctions or even serious injury or death. The manufacturer and the importer shall not be liable for injuries and damages resulting from the use of non-conforming equipment.

OPERATION

 **Disconnect the power supply before making adjustments or changing accessories.**

Before starting the tool

Always use the right size of socket. The wrong socket will damage the nut.

The screw or nut to be tightened must be manually screwed directly onto the thread. It can not be set diagonally.

Do not overwork the tool, do not use excessive force. Do not press on the bolts with you tool while using it.

If the bolt does not rotate and the drive stops, stop the tool from working. Use tools with a higher impact or tighten the screw by hand.

Do not use hand screwdrivers and hammers to tighten the screws.

Switching ON/OFF

Start the tool by pressing and holding the ON/OFF switch down. Release the ON/OFF switch to stop the tool.

Direction of rotation

Clockwise (Screwing): Slide the rotation switch (3) to the left. Press the ON/OFF switch.

Anticlockwise (Unscrewing): Slide the direction of rotation switch to the right. Press the ON/OFF switch.

Slide the rotation switch into the middle position to lock the ON/OFF switch.

Adjusting the speed

The ON/OFF switch has a variable speed control. Lightly pressing the ON/OFF switch will result in a low speed. Increasing the pressure will increase the speed.

Attaching/Removing sockets or accessories

WARNING! Ensure that the correct socket is being used for the nuts on your particular vehicle. An incorrect socket size is likely to damage the heads of the bolts/nuts.


Loosening the nut

1. Remove any wheel trim, before selecting the appropriate socket and placing firmly on the square drive of the wrench.
2. Select the appropriate socket and place firmly on the square drive (2) of the wrench. Holding the machine firmly in both hands, select the direction of rotation (3) to unscrew (counter-clockwise) and press the ON/OFF switch (1). The torque will build up and impact the nut repeatedly until the nut is loosened. **IMPORTANT!** Release the trigger immediately when the nut begins to loosen.
3. Raise the vehicle according to the vehicles handbook so that the wheel is clear off the ground, then proceed to fully undo the wheel nuts.

Tightening the nut

1. Start the nut by hand, ensuring it is not cross threaded, then with the appropriate socket installed on the square drive (2), place it on the nut.
2. Select the direction of rotation (3) to screw (clockwise), hold the wrench firmly in both hands and press the ON/OFF switch (1) gently. You can vary the spindle speed by modulating finger pressure on the trigger.
3. Pass each nut in turn until it "fastens" only on top. Do not tighten, do not fully press the trigger. When all nuts are "fastened", tighten progressively by pulling the trigger fully and allowing the action to operate for 3 to 4 impacts only, to prevent overtightening.
4. Always finish tightening with a torque wrench or suitable spanner. The weight of the vehicle will need to be placed on the wheel to prevent it from rotating while the nuts are tightened. Ensure the final torque applied to the nuts meets the vehicle's manufacturer recommendations.

MAINTENANCE

 **Always disconnect the plug before performing any maintenance work on the tool.**

- Keep the air ducts and the engine housing as free of dirt and dust as possible. Clean the equipment regularly with a dry cloth. Do not use any water, cleaning agents or solvents that could damage the tool.
- If the power cable of the tool is worn or damaged, contact an authorised service center. Cables and plugs must only be replaced by authorised personnel to avoid damage or harm (electric shock).

Carbon brushes

Remove and inspect the carbon brushes after periods of extended use. Replace them when they are worn down. The brushes should be kept clean and free to slide up and down in the holders. Both brushes should be replaced at the same time as a pair. Use a screwdriver to remove the brush holder covers from the machine body. Draw out the worn brushes and insert new ones before replacing the brushholder caps. Only use identical brushes.

ENVIRONMENTAL DISPOSAL

In order to avoid damages on transportation, the tool has to be delivered in solid packaging. Packaging as well as the unit and accessories are made of recyclable materials and can be disposed accordingly. The tool's plastics components are marked according to their material, which makes it possible to remove environmental friendly and differentiated because of available collection facilities.



Only for EU countries

Do not dispose of electric tools together with household waste material!

In observance of European Directive 2002/96/EC on waste electrical and electronic equipment and its implementation in accordance with national law, electric tools that have reached the end of their life must be collected separately and returned to an environmentally compatible recycling facility.

SYMBOLES



Lisez attentivement le manuel de l'opérateur.



AVERTISSEMENT!



Double isolation.



Portez des bouchons d'oreille de protection.



Portez des lunettes de sécurité.



Portez un masque respiratoire.

PRÉCAUTIONS GÉNÉRALES DE SÉCURITÉ

Lors de l'utilisation de tout équipement, certaines précautions de sécurité doivent être prises pour éviter les blessures et/ou les dommages. Veuillez lire attentivement ce manuel avant d'utiliser l'outil.

Conservez ce manuel d'utilisation pour vous y référer ultérieurement.

ATTENTION : Lisez toutes les règles et instructions de sécurité. Le non-respect de toutes les consignes de sécurité peut entraîner un choc électrique, un incendie et/ou des blessures graves.

Le terme "outil électrique" utilisé dans ce manuel désigne les outils électriques alimentés par l'électricité (avec un cordon d'alimentation) et les outils électriques alimentés par batterie (sans cordon d'alimentation).

Sécurité sur le lieu de travail

- Gardez votre lieu de travail propre et bien éclairé. Les lieux de travail désordonnés ou mal éclairés peuvent entraîner des accidents.
- N'utilisez pas l'outil électrique dans un environnement où il existe un risque d'explosion et où se trouvent des liquides, des gaz ou des poussières inflammables. Les outils électriques produisent des étincelles qui pourraient enflammer la poussière ou les vapeurs.
- Ne laissez pas les spectateurs, les enfants ou les animaux pénétrer dans votre zone de travail. S'il y a une distraction, vous risquez de perdre le contrôle de l'appareil.

Sécurité électrique

- La fiche de l'outil électrique doit être branchée dans une prise de courant installée et correctement mise à la terre. Ne modifiez jamais la fiche de quelque façon que ce soit. N'utilisez jamais de fiches d'adaptation avec des outils électriques mis à la terre. Des fiches non modifiées et des prises correctes réduisent le risque de choc électrique.
- Évitez le contact du corps avec des surfaces mises à la terre comme les réfrigérateurs, les tuyaux et les radiateurs lorsque vous utilisez des outils électriques. Vous réduirez ainsi les risques de choc.
- N'exposez pas les outils électriques à la pluie ou à l'humidité. Les outils humides augmentent le risque de choc électrique.
- Ne pas abuser du cordon. N'utilisez jamais le cordon pour porter, tirer ou débrancher l'outil électrique. Les câbles endommagés ou enchevêtrés augmentent le risque de choc électrique.
- Tenez les cordons d'alimentation à l'écart de la chaleur, de l'eau, de l'huile, des bords tranchants et des pièces mobiles. Ils peuvent endommager l'isolation et provoquer un choc.
- Si vous travaillez à l'extérieur avec un outil électrique, n'utilisez que des câbles de rallonge conçus et marqués spécifiquement pour cet usage.
- Si l'utilisation de l'outil électrique dans un environnement humide ne peut être évitée, utilisez un disjoncteur différentiel pour réduire le risque de choc électrique.

Sécurité personnelle

- Soyez vigilant, surveillez vos mouvements et utilisez un outil électrique avec précaution. N'utilisez pas l'outil si vous êtes fatigué ou sous l'influence de médicaments, d'alcool ou d'autres substances. Un moment de négligence lors de l'utilisation de l'outil électrique peut entraîner des blessures graves.
- L'utilisation d'équipements de protection individuelle (tels que masques anti-poussière, chaussures de sécurité antidérapantes, casque de sécurité ou bouchons d'oreille selon le type et l'utilisation de l'outil électrique) réduit le risque de blessure. Portez toujours des lunettes de sécurité.
- Assurez-vous que l'outil ne peut pas démarrer accidentellement. Assurez-vous que l'outil électrique est éteint avant de le brancher à l'alimentation électrique et/ou d'insérer la batterie, ou lorsque vous le prenez ou le transportez. Le fait de brancher l'appareil alors qu'il est sous tension ou de déplacer l'outil électrique avec le doigt sur l'interrupteur d'alimentation peut entraîner un démarrage accidentel de l'outil et provoquer des accidents.
- Retirez les clés et les clavettes avant de mettre l'outil électrique en marche. Un outil ou une clé entrant en contact avec les parties rotatives de l'outil peut entraîner des dommages ou des blessures.
- Ne vous penchez pas trop. Gardez toujours un bon pied et un bon équilibre. Cela permet de mieux contrôler l'outil électrique dans des situations inattendues.
- Portez des vêtements de travail appropriés. Tenir les cheveux, les vêtements et les gants éloignés des pièces mobiles. Ne portez pas de vêtements amples ni de bijoux. Les vêtements amples, les bijoux ou les cheveux longs peuvent se prendre dans les parties mobiles.
- Si des dispositifs d'aspiration et de drainage peuvent être installés sur l'outil, assurez-vous qu'ils sont correctement connectés et utilisés. L'utilisation d'un système d'extraction de la poussière peut réduire les risques liés à la poussière.

Sécurité des outils électriques

- Ne sollicitez pas trop l'outil. Utilisez le bon outil pour chaque tâche. Vous serez en mesure de travailler mieux et de manière plus sûre en respectant les paramètres de performance spécifiés.
- N'utilisez pas un outil électrique dont l'interrupteur est défectueux. Un outil électrique qui ne peut pas être mis en marche ou arrêté est dangereux et doit être réparé.
- Débranchez l'outil et/ou retirez la batterie avant d'effectuer tout réglage sur l'outil, de changer d'accessoire ou de ranger l'outil. Cette mesure de sécurité permet d'éviter un démarrage intempestif de l'outil.
- Gardez l'outil électrique hors de portée des enfants et des utilisateurs non formés. Seules les personnes qui ont lu et compris complètement toutes les instructions de sécurité peuvent utiliser l'outil électrique. Les outils électriques peuvent être dangereux s'ils sont utilisés par des utilisateurs inexpérimentés.
- Nettoyez soigneusement votre outil électrique. Vérifiez que les pièces mobiles fonctionnent correctement et ne se bloquent pas et qu'il n'y a pas de pièces cassées ou endommagées au point d'affecter le fonctionnement de l'outil électrique. Contactez un centre de service agréé pour toute réparation nécessaire avant d'utiliser l'outil. Les outils électriques mal entretenus peuvent causer de graves dommages ou des blessures.
- Gardez tous les outils de coupe affûtés et propres. Des outils de coupe soigneusement entretenus et aux bords tranchants sont moins susceptibles de se bloquer et sont plus faciles à contrôler.
- Utilisez les outils électriques, les accessoires, les fixations, etc. conformément à ces instructions. Tenez compte des conditions de votre lieu de travail et de la tâche à accomplir. L'utilisation d'outils électriques à d'autres fins que celles pour lesquelles ils sont prévus peut conduire à des situations dangereuses.

Service

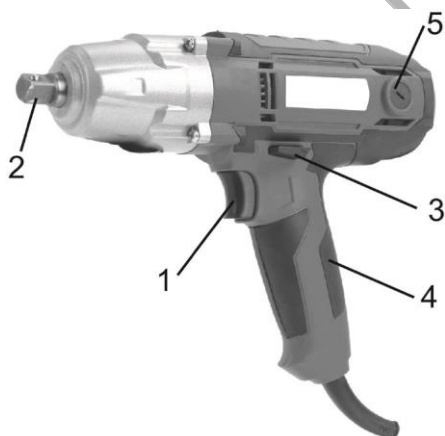
Ne faites réparer votre outil électrique que par un personnel qualifié utilisant uniquement des pièces de rechange authentiques. Vous serez ainsi assuré de pouvoir utiliser votre outil électrique en toute sécurité.

Instructions de sécurité pour les clés à chocs

- a) Utilisez la clé à chocs correctement. N'utilisez la clé à chocs que de la manière et pour les fonctions décrites dans ce manuel.
- b) Vérifiez que les pièces mobiles ne sont pas mal alignées ou mal fixées, que les pièces ne sont pas endommagées et que toute autre condition peut affecter le fonctionnement de l'outil. Si l'outil est endommagé, faites-le réviser avant de l'utiliser.
- c) N'utilisez que les accessoires recommandés par le fabricant pour votre modèle. Les accessoires qui ne sont pas adaptés à votre outil peuvent provoquer des blessures ou des dommages.
- d) Choisissez les douilles appropriées en fonction de la taille du boulon et de l'écrou et de la taille de l'entraînement carré. L'utilisation de douilles inadéquates endommagera le boulon et l'outil. La spécification du boulon, de l'écrou et du couple requis doit être conforme à la classe de précision du boulon, de l'écrou et de la norme nationale. Utilisez uniquement des douilles pour clé à chocs. N'utilisez pas de douilles standard.
- e) Ne pas forcer l'outil. Lorsque vous serrez un écrou ou un boulon, ne donnez jamais plus de 7 à 8 coups de clé pour éviter un serrage excessif. Terminez de serrer les écrous de roue à l'aide d'une clé dynamométrique ou d'une clé appropriée au couple de serrage des écrous de roue recommandé par le fabricant de l'outil.
- f) Entretenez soigneusement le câble d'alimentation de l'outil. Maintenez le câble à bonne distance de l'outil et assurez-vous de travailler à proximité d'une alimentation électrique, afin que le fonctionnement ne soit pas limité par la longueur du câble. Si vous travaillez à l'extérieur, utilisez toujours une rallonge de câble homologuée adaptée à la puissance nominale de cet outil.
- g) Lorsque vous utilisez un enrouleur de câble, déroulez toujours le câble complètement.
- h) N'utilisez pas l'outil si l'interrupteur ne permet pas de le mettre en marche ou de l'arrêter. Tout outil qui ne peut être contrôlé à l'aide de l'interrupteur est dangereux et doit être réparé.
- i) Débranchez la fiche de la source d'alimentation avant d'effectuer tout réglage, de changer d'accessoire ou de ranger l'outil. Ces mesures de sécurité préventives réduisent le risque de démarrage accidentel de l'outil.
- j) Rangez les outils inutilisés hors de portée des enfants et des autres personnes non formées. Les outils peuvent être dangereux entre les mains d'utilisateurs non formés.
- k) Entretenez les outils avec soin. Gardez les outils en bon état et assurez-vous qu'ils sont propres. Des outils correctement entretenus sont moins susceptibles de mal fonctionner et sont plus faciles à contrôler.

NOTE : Le couple et la vitesse peuvent varier en fonction de la durée de fonctionnement. Lorsque vous voulez assembler ou désassembler un boulon, vous devez laisser l'outil fonctionner pendant plus de 5 secondes. Le fait de maintenir l'outil en marche pendant plus de 5 secondes n'équivaut pas à un couple plus élevé. Le couple varie également en fonction de la taille du boulon. Le fait de ne pas utiliser les douilles appropriées en fonction de la taille du boulon et de l'écrou aura également un impact sur le couple et la vitesse.

SPÉCIFICATIONS



Description

1. Interrupteur ON/OFF
2. Entraînement carré 1/2" (13mm)
3. Interrupteur de sens de rotation (droite/gauche)
4. Poignée
5. Remplacement du balai de carbone

Taille du boulon - Couple de serrage

- M10-M12 : 40-80 Nm
- M12-M14 : 100-200 Nm
- M14-M18 : 120-200 Nm
- M18-M24 : 200-320 Nm

| Données techniques | |
|-----------------------|--------------------------------|
| Modèle | BEW5100 |
| Tension | 230V/50hz |
| Puissance | 450W |
| Vitesse à vide | 3600r/min |
| Couple | 350Nm desserage, 100Nm serrage |
| Arbre | 1/2" |
| Longueur du câble | 2m |
| Comprend des douilles | 17 / 19 / 21 / 22mm |

* Le fabricant se réserve le droit d'apporter des modifications mineures à la conception et aux spécifications techniques des produits sans préavis, à moins que ces modifications n'affectent de manière significative les performances et la sécurité des produits. Les pièces décrites / illustrées dans les pages du manuel que vous tenez entre vos mains peuvent également concerner d'autres modèles de la gamme de produits du fabricant présentant des caractéristiques similaires et peuvent ne pas être incluses dans le produit que vous venez d'acquérir.

* Pour garantir la sécurité et la fiabilité du produit et la validité de la garantie, tous les travaux de réparation, d'inspection, de réparation ou de remplacement, y compris l'entretien et les réglages spéciaux, doivent être effectués uniquement par des techniciens du service après-vente agréé du fabricant.

* Utilisez toujours le produit avec l'équipement fourni. L'utilisation du produit avec un équipement non fourni peut entraîner des dysfonctionnements, voire des blessures graves ou mortelles. Le fabricant et l'importateur ne peuvent être tenus responsables des blessures et des dommages résultant de l'utilisation d'un équipement non conforme.

OPERATION



Débranchez l'alimentation électrique avant d'effectuer des réglages ou de changer d'accessoire.

Avant de démarrer l'outil

Utilisez toujours la bonne taille de douille. Une mauvaise douille endommagera l'écrou.

La vis ou l'écrou à serrer doit être vissé manuellement directement sur le filetage. Il ne peut pas être serré en diagonale.

Ne pas surmener l'outil, ne pas utiliser une force excessive. N'appuyez pas sur les boulons avec votre outil pendant son utilisation.

Si la vis ne tourne pas et que l'entraînement s'arrête, arrêtez le fonctionnement de l'outil. Utilisez des outils avec un impact plus élevé ou serrez la vis à la main.

N'utilisez pas de tournevis à main ni de marteau pour serrer les vis.

Commutation ON/OFF

Démarrez l'outil en appuyant sur l'interrupteur ON/OFF et en le maintenant enfoncé. Relâchez l'interrupteur ON/OFF pour arrêter l'outil.

Sens de rotation

Droit (serrage) : Faites glisser le commutateur de rotation (3) vers la gauche. Appuyez sur l'interrupteur ON/OFF.

Gauche (desserrage) : Faites glisser l'interrupteur de sens de rotation vers la droite. Appuyez sur l'interrupteur ON/OFF.

Faites glisser l'interrupteur de rotation en position centrale pour verrouiller l'interrupteur ON/OFF.

Réglage de la vitesse

L'interrupteur ON/OFF est doté d'une commande de vitesse variable. Si vous appuyez légèrement sur l'interrupteur ON/OFF, la vitesse sera faible. En augmentant la pression, on augmente la vitesse.

Fixation/retrait des prises ou des accessoires

AVERTISSEMENT ! Assurez-vous que vous utilisez la douille appropriée pour les écrous de votre véhicule. Une taille de douille incorrecte risque d'endommager la tête des boulons/écrous.

Desserrer l'écrou

1. Retirez tout enjoliveur de roue, avant de choisir la douille appropriée et de la placer fermement sur le carré d'entraînement de la clé.
2. Sélectionnez la douille appropriée et placez-la fermement sur l'entraînement carré (2) de la clé. En tenant fermement la machine des deux mains, sélectionnez le sens de rotation (3) pour dévisser (sens inverse des aiguilles d'une montre) et appuyez sur l'interrupteur ON/OFF (1). Le couple va s'accumuler et frapper l'écrou de manière répétée jusqu'à ce que l'écrou soit desserré. **IMPORTANT !** Relâchez immédiatement la gâchette lorsque l'écrou commence à se desserrer.
3. Relevez le véhicule conformément au manuel du véhicule de manière à ce que la roue soit dégagée du sol, puis défaites complètement les écrous de roue.

Serrer l'écrou

1. Commencez l'écrou à la main, en vous assurant qu'il n'est pas fileté en travers, puis avec la douille appropriée installée sur l'entraînement carré (2), placez-la sur l'écrou.
2. Sélectionnez le sens de rotation (3) de la vis (sens des aiguilles d'une montre), tenez fermement la clé à deux mains et appuyez doucement sur l'interrupteur ON/OFF (1). Vous pouvez faire varier la vitesse de la broche en modulant la pression du doigt sur la gâchette.
3. Passez chaque écrou à tour de rôle jusqu'à ce qu'il se "fixe" uniquement sur le dessus. Ne pas serrer, ne pas appuyer à fond sur la détente. Lorsque tous les écrous sont "fixés", serrez progressivement en appuyant à fond sur la détente et en laissant agir l'action pendant 3 à 4 impacts seulement, pour éviter un serrage excessif.
4. Terminez toujours le serrage avec une clé dynamométrique ou une clé appropriée. Le poids du véhicule devra être placé sur la roue pour l'empêcher de tourner pendant le serrage des écrous. Assurez-vous que le couple final appliqué aux écrous est conforme aux recommandations du constructeur du véhicule.

ENTRETIEN



Débranchez toujours la fiche avant d'effectuer tout entretien sur l'outil.

- Maintenez les conduits d'air et le carter du moteur aussi exempts de saleté et de poussière que possible. Nettoyez régulièrement l'équipement avec un chiffon sec. N'utilisez pas d'eau, de produits de nettoyage ou de solvants qui pourraient endommager l'outil.
- Si le câble d'alimentation de l'outil est usé ou endommagé, contactez un centre de service agréé. Les câbles et les fiches ne doivent être remplacés que par du personnel autorisé afin d'éviter tout dommage ou préjudice (choc électrique).

Balais de carbone

Retirez et inspectez les balais de charbon après des périodes d'utilisation prolongée. Remplacez-les lorsqu'ils sont usés. Les balais doivent être maintenus propres et libres de glisser de haut en bas dans les supports. Les deux balais doivent être remplacés en même temps en tant que paire. Utilisez un tournevis pour retirer les couvercles des porte-balais du corps de la machine. Extrayez les brosses usées et insérez des brosses neuves avant de remettre les capuchons des porte-brosses en place. N'utilisez que des brosses identiques.

ÉLIMINATION ENVIRONNEMENTALE

Afin d'éviter tout dommage pendant le transport, l'outil doit être livré dans un emballage solide. L'emballage ainsi que l'appareil et les accessoires sont fabriqués en matériaux recyclables et peuvent être éliminés en conséquence. Les composants en plastique de l'outil sont marqués en fonction de leur matériau, ce qui permet d'éliminer les déchets écologiques et différenciés grâce aux installations de collecte disponibles.



Uniquement pour les pays de l'UE

Ne pas jeter les outils électriques avec les déchets ménagers !

Conformément à la directive européenne 2002/96/CE relative aux déchets d'équipements électriques et électroniques et à sa mise en œuvre conformément à la législation nationale, les outils électriques arrivés en fin de vie doivent être collectés séparément et remis à une installation de recyclage compatible avec l'environnement.

SIMBOLI



Leggere attentamente il manuale dell'operatore.



ATTENZIONE!



Doppio isolamento.



Indossare tappi protettivi per le orecchie.



Indossare occhiali di sicurezza.



Indossare una maschera di respirazione.

PRECAUZIONI GENERALI DI SICUREZZA

Quando si utilizza un'apparecchiatura, è necessario adottare alcune precauzioni di sicurezza per evitare lesioni e/o danni. Leggere attentamente il presente manuale prima di utilizzare l'utensile.

Conservare il presente manuale dell'operatore per future consultazioni.

ATTENZIONE: leggere tutte le norme e le istruzioni di sicurezza. La mancata osservanza di tutte le precauzioni di sicurezza può provocare scosse elettriche, incendi e/o lesioni gravi.

Il termine "utensile elettrico" utilizzato in questo manuale si riferisce agli utensili alimentati da corrente elettrica (con cavo di alimentazione) e agli utensili alimentati a batteria (senza cavo di alimentazione).

Sicurezza sul lavoro

- a) Mantenete il vostro posto di lavoro pulito e ben illuminato. I luoghi di lavoro disordinati o scarsamente illuminati possono provocare incidenti.
- b) Non utilizzare l'elettroscopio in un ambiente a rischio di esplosione e in presenza di liquidi, gas o polveri infiammabili. Gli elettroscopio producono scintille che possono incendiare polveri o vapori.
- c) Non permettere ad astanti, bambini o animali di entrare nell'area di lavoro. In caso di distrazione, si potrebbe perdere il controllo dell'apparecchio.

Sicurezza elettrica

- a) La spina dell'elettroscopio deve essere inserita in una presa di corrente con messa a terra adeguata. Non modificare mai la spina in alcun modo. Non utilizzare mai spine di adattamento con utensili elettrici dotati di messa a terra. Spine non modificate e prese corrette riducono il rischio di scosse elettriche.
- b) Quando si utilizzano utensili elettrici, evitare il contatto del corpo con superfici collegate a terra, come frigoriferi, tubi e radiatori. In questo modo si riduce la probabilità di scosse.
- c) Non esporre gli utensili elettrici alla pioggia o al bagnato. Gli utensili bagnati aumentano la probabilità di scosse elettriche.
- d) Non abusare del cavo. Non utilizzare mai il cavo per trasportare, tirare o scollegare l'elettroscopio. Cavi danneggiati o aggrovigliati aumentano il rischio di scosse elettriche.
- e) Tenere i cavi di alimentazione lontani da calore, acqua, olio, bordi taglienti e parti in movimento. Possono danneggiare l'isolamento e causare una scossa.
- f) Se si lavora all'aperto con un utensile elettrico, utilizzare solo cavi di prolunga progettati e contrassegnati specificamente per questo scopo.
- g) Se non è possibile evitare il funzionamento dell'utensile elettrico in un ambiente umido, utilizzare un interruttore differenziale (ELCB) per ridurre il rischio di scosse elettriche.

Sicurezza personale

- a) Siate vigili, fate attenzione ai vostri movimenti e utilizzate l'utensile elettrico con cautela. Non utilizzare l'utensile se si è stanchi o sotto l'effetto di farmaci, alcol o altre sostanze. Un momento di negligenza nell'uso dell'elettroscopio può causare gravi lesioni.
- b) L'uso di dispositivi di protezione individuale (come maschere antipolvere, scarpe di sicurezza antiscivolo, casco di sicurezza o tappi per le orecchie a seconda del tipo e dell'uso dell'elettroscopio) riduce il rischio di lesioni. Indossare sempre gli occhiali di sicurezza.
- c) Assicurarsi che l'utensile non possa avviarsi accidentalmente. Assicurarsi che l'utensile elettrico sia spento prima di collegarlo all'alimentazione e/o di inserire la batteria, oppure quando lo si prende in mano o lo si trasporta. L'inserimento della spina quando l'apparecchio è acceso o lo spostamento dell'utensile elettrico con il dito sull'interruttore di alimentazione possono avviare accidentalmente l'utensile e causare incidenti.
- d) Prima di accendere l'elettroscopio, rimuovere chiavi e chiavette. Un utensile o una chiave che entrano in contatto con le parti rotanti dell'utensile possono causare danni o lesioni.
- e) Non sporgersi eccessivamente. Mantenere sempre una posizione corretta e un buon equilibrio. Ciò consente di controllare meglio l'elettroscopio in situazioni impreviste.
- f) Indossare abiti da lavoro adeguati. Tenere capelli, vestiti e guanti lontani dalle parti in movimento. Non indossare indumenti larghi o gioielli. Indumenti larghi, gioielli o i capelli lunghi possono impigliarsi nelle parti in movimento.
- g) Se sull'utensile è possibile installare dispositivi di aspirazione e drenaggio, accertarsi che siano collegati e utilizzati correttamente. L'uso di un sistema di aspirazione della polvere può ridurre i rischi legati alla polvere.

Sicurezza degli utensili elettrici

- a) Non sovraccaricare l'utensile. Utilizzate l'utensile giusto per ogni compito. Sarete in grado di lavorare meglio e in modo più sicuro entro i parametri di prestazione specificati.
- b) Non utilizzare un utensile elettrico con un interruttore difettoso. Un elettroscopio che non può essere acceso o spento è pericoloso e deve essere riparato.
- c) Scollegare l'utensile e/o rimuovere la batteria prima di effettuare qualsiasi regolazione dell'utensile, di cambiare gli accessori o di riporre l'utensile. Questa misura di sicurezza impedisce l'avvio involontario dell'elettroscopio.
- d) Tenere l'elettroscopio fuori dalla portata dei bambini e degli utenti non addestrati. L'utensile elettrico può essere utilizzato solo da persone che hanno letto e compreso completamente tutte le istruzioni di sicurezza. Gli utensili elettrici possono essere pericolosi se utilizzati da utenti inesperti.
- e) Pulire accuratamente l'elettroscopio. Controllare che le parti mobili funzionino correttamente e non si inceppino e che non vi siano parti rotte o danneggiate in modo tale da compromettere il funzionamento dell'elettroscopio. Rivolgersi a un centro di assistenza autorizzato per le riparazioni necessarie prima di utilizzare l'utensile. Gli utensili elettrici sottoposti a scarsa manutenzione possono causare gravi danni o lesioni.
- f) Mantenere gli utensili da taglio affilati e puliti. Gli utensili da taglio sottoposti a manutenzione accurata e con bordi taglienti affilati hanno meno probabilità di incepparsi e sono più facili da controllare.
- g) Utilizzare gli elettroscopio, gli accessori, le attrezzature, ecc. in conformità alle presenti istruzioni. Tenere conto delle condizioni del luogo di lavoro e dell'attività da svolgere. L'uso di utensili elettrici per scopi diversi da quelli per cui sono stati concepiti può causare situazioni pericolose.

Servizio

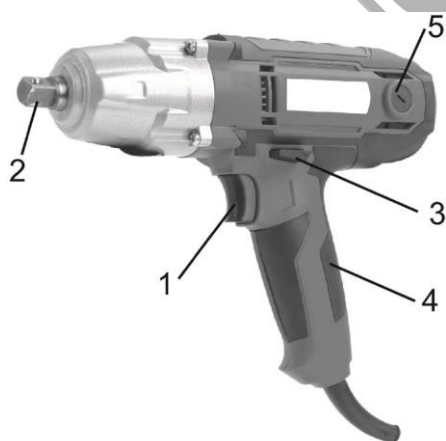
Fate riparare il vostro elettroscopio solo da personale qualificato che utilizzi solo pezzi di ricambio autentici. In questo modo si garantisce che l'elettroscopio sia sempre sicuro da usare.

Istruzioni di sicurezza per l'avvitatore a impulsi

- a) Utilizzate l'avvitatore in modo corretto. Utilizzate l'avvitatore a impulsi solo nel modo e per le funzioni descritte in questo manuale.
- b) Verificare che non vi siano disallineamenti o fissaggi errati delle parti mobili, danni alle parti e qualsiasi altra condizione che possa compromettere il funzionamento dell'utensile. Se danneggiato, far revisionare l'utensile prima dell'uso.
- c) Utilizzare solo gli accessori raccomandati dal produttore per il proprio modello. Gli accessori non adatti all'utensile possono causare lesioni o danni.
- d) Scegliere le bussole giuste in base alle dimensioni del bullone e del dado e alle dimensioni dell'unità quadra. L'uso di bussole sbagliate può danneggiare il bullone e l'utensile. Le specifiche del bullone e del dado e la coppia richiesta devono essere conformi alla classe di precisione del bullone e del dado e allo standard nazionale. Utilizzare solo bussole per avvitatori a impulsi. Non utilizzare bussole standard.
- e) Non forzare l'utensile. Quando si stringe un dado o un bullone, non lasciare che la chiave colpisca più di 7-8 volte per evitare un serraggio eccessivo. Serrare infine i dadi delle ruote con una chiave dinamometrica o una chiave adatta alla coppia di serraggio raccomandata dal produttore dell'utensile.
- f) Mantenere con cura il cavo di alimentazione dell'utensile. Tenere il cavo ben lontano dalla macchina e assicurarsi di lavorare in prossimità di una presa di corrente, in modo che il funzionamento non sia limitato dalla lunghezza del cavo. Se si lavora all'aperto, utilizzare sempre una prolunga del cavo approvata e adatta alla potenza dell'utensile.
- g) Quando si usa un avvolgicavo, srotolare sempre completamente il cavo.
- h) Non utilizzare l'utensile se l'interruttore non lo accende o lo spegne. Qualsiasi utensile che non può essere controllato con l'interruttore è pericoloso e deve essere riparato.
- i) Scollegare la spina dalla fonte di alimentazione prima di effettuare qualsiasi regolazione, cambiare gli accessori o riporre l'utensile. Queste misure di sicurezza preventive riducono il rischio di avviamento accidentale dell'utensile.
- j) Conservare gli attrezzi inutilizzati fuori dalla portata dei bambini e di altre persone non addestrate. Gli attrezzi possono essere pericolosi nelle mani di persone non addestrate.
- k) Mantenere gli attrezzi con cura. Mantenete gli attrezzi in buone condizioni e assicuratevi che siano puliti. Gli strumenti sottoposti a una corretta manutenzione hanno minori probabilità di malfunzionamento e sono più facili da controllare.

NOTA: La coppia e la velocità possono variare a seconda del tempo di funzionamento. Quando si desidera assemblare o smontare un bullone, si consiglia di tenere l'utensile in funzione per più di 5 secondi. Mantenere l'utensile in funzione per più di 5 secondi non equivale a una coppia più elevata. La coppia varia anche in base alle diverse dimensioni del bullone. Anche il mancato utilizzo di bussole adeguate alle dimensioni del bullone e del dado influisce sulla coppia e sulla velocità.

SPECIFICHE



Descrizione

1. Interruttore ON/OFF
2. Azionamento quadrato da 1/2" (13 mm)
3. Interruttore del senso di rotazione (destra/sinistra)
4. Maniglia
5. Sostituzione della spazzola di carbone

Dimensione del bullone - Coppia

- M10-M12: 40-80 Nm
- M12-M14: 100-200 Nm
- M14-M18: 120-200 Nm
- M18-M24: 200-320 Nm

| Dati tecnici | |
|--------------------|-------------------------------------|
| Modello | BEW5100 |
| Tensione | 230V/50hz |
| Potenza | 450W |
| Velocità a vuoto | 3600 giri/min |
| Coppia | 350Nm allentamento, 100Nm serraggio |
| Albero | 1/2" |
| Lunghezza del cavo | 2m |
| Include bussole | 17 / 19 / 21 / 22 mm |

* Il produttore si riserva il diritto di apportare modifiche minori al design e alle specifiche tecniche del prodotto senza preavviso, a meno che tali modifiche non influiscano in modo significativo sulle prestazioni e sulla sicurezza dei prodotti. Le parti descritte/illustrate nelle pagine del manuale che avete tra le mani possono riguardare anche altri modelli della linea di prodotti del produttore con caratteristiche simili e potrebbero non essere incluse nel prodotto appena acquistato.

* Per garantire la sicurezza e l'affidabilità del prodotto e la validità della garanzia, tutti i lavori di riparazione, ispezione, riparazione o sostituzione, compresa la manutenzione e le regolazioni speciali, devono essere eseguiti esclusivamente da tecnici del servizio di assistenza autorizzato del produttore.

* Utilizzare sempre il prodotto con le apparecchiature in dotazione. L'utilizzo del prodotto con apparecchiature non in dotazione può causare malfunzionamenti o addirittura lesioni gravi o morte. Il produttore e l'importatore non sono responsabili per lesioni e danni derivanti dall'uso di apparecchiature non conformi.

FUNZIONAMENTO

 **Scollegare l'alimentazione prima di effettuare regolazioni o sostituire gli accessori.**

Prima di avviare lo strumento

Utilizzare sempre la bussola della giusta dimensione. Una presa sbagliata può danneggiare il dado.

La vite o il dado da serrare deve essere avvitato manualmente direttamente sulla filettatura. Non può essere avvitato in diagonale.

Non lavorare troppo con l'utensile, non usare una forza eccessiva. Non premere sui bulloni con l'utensile mentre lo si utilizza.

Se il bullone non ruota e l'azionamento si arresta, interrompere il funzionamento dell'utensile. Utilizzare utensili con un impatto maggiore o serrare la vite a mano.

Non utilizzare cacciaviti e martelli a mano per serrare le viti.

Accensione e spegnimento

Avviare l'utensile tenendo premuto l'interruttore ON/OFF. Rilasciare l'interruttore ON/OFF per arrestare l'utensile.

Senso di rotazione

Destra (avvitamento): Far scorrere l'interruttore di rotazione (3) verso sinistra. Premere l'interruttore ON/OFF.

Sinistra (svitando): Far scorrere l'interruttore del senso di rotazione verso destra. Premere l'interruttore ON/OFF.

Far scorrere l'interruttore di rotazione nella posizione centrale per bloccare l'interruttore ON/OFF.

Regolazione della velocità

L'interruttore ON/OFF è dotato di un controllo della velocità variabile. Premendo leggermente l'interruttore ON/OFF si ottiene una velocità ridotta. Aumentando la pressione, la velocità aumenta.

Montaggio/rimozione di prese o accessori

ATTENZIONE! Assicurarsi di utilizzare la presa corretta per i dadi del proprio veicolo. Una bussola di dimensioni errate può danneggiare la testa dei bulloni/dadi.


Allentamento del dado

1. Rimuovere le guarnizioni della ruota, prima di selezionare la presa appropriata e posizionarla saldamente sull'unità quadrata della chiave.
2. Selezionare la presa appropriata e posizionarla saldamente sull'unità quadrata (2) della chiave. Tenendo la macchina saldamente con entrambe le mani, selezionare il senso di rotazione (3) per svitare (in senso antiorario) e premere l'interruttore ON/OFF (1). La coppia si accumulerà e colpirà ripetutamente il dado fino a quando non sarà allentato. **IMPORTANTE!** Rilasciare immediatamente il grilletto quando il dado inizia ad allentarsi.
3. Sollevare il veicolo secondo il manuale del veicolo in modo che la ruota sia libera da terra, quindi procedere allo svitamento completo dei dadi della ruota.

Serraggio del dado

1. Avviare il dado a mano, assicurandosi che non sia filettato in modo incrociato, quindi, con la presa appropriata installata sull'unità quadra (2), posizionarla sul dado.
2. Selezionare il senso di rotazione (3) per la vite (in senso orario), tenere la chiave saldamente con entrambe le mani e premere delicatamente l'interruttore ON/OFF (1). È possibile variare la velocità del mandrino modulando la pressione del dito sul grilletto.
3. Passare ogni dado a turno finché non si "fissa" solo sulla parte superiore. Non stringere, non premere completamente il grilletto. Quando tutti i dadi sono "fissati", serrare progressivamente premendo completamente il grilletto e lasciando agire l'azione solo per 3 o 4 volte, per evitare un serraggio eccessivo.
4. Terminare sempre il serraggio con una chiave dinamometrica o una chiave adeguata. Il peso del veicolo dovrà essere appoggiato sulla ruota per evitare che questa ruoti durante il serraggio dei dadi. Assicurarsi che la coppia finale applicata ai dadi sia conforme alle raccomandazioni del costruttore del veicolo.

MANUTENZIONE

 **Scollegare sempre la spina prima di eseguire qualsiasi intervento di manutenzione sull'utensile.**

- Mantenere i condotti dell'aria e l'alloggiamento del motore il più possibile liberi da sporco e polvere. Pulire regolarmente l'attrezzatura con un panno asciutto. Non utilizzare acqua, detersivi o solventi che potrebbero danneggiare l'attrezzo.
- Se il cavo di alimentazione dell'utensile è usurato o danneggiato, rivolgersi a un centro di assistenza autorizzato. I cavi e le spine devono essere sostituiti solo da personale autorizzato per evitare danni o lesioni (scosse elettriche).

Spazzole di carbone

Rimuovere e ispezionare le spazzole di carbone dopo periodi di utilizzo prolungato. Sostituirle quando sono usurate. Le spazzole devono essere mantenute pulite e libere di scorrere su e giù nei supporti. Entrambe le spazzole devono essere sostituite contemporaneamente. Utilizzare un cacciavite per rimuovere i coperchi del portaspazzole dal corpo macchina. Estrarre le spazzole usurate e inserirne di nuove prima di sostituire i coperchi dei portaspazzole. Utilizzare solo spazzole identiche.

SMALTIMENTO AMBIENTALE

Per evitare danni durante il trasporto, l'utensile deve essere consegnato in un imballaggio solido. L'imballaggio, l'unità e gli accessori sono realizzati con materiali riciclabili e possono essere smaltiti di conseguenza. I componenti in plastica dell'utensile sono contrassegnati in base al materiale di cui sono composti, il che rende possibile l'eliminazione dei rifiuti ecologici e differenziati grazie alle strutture di raccolta disponibili.



Solo per i paesi dell'UE

Non smaltire gli utensili elettrici insieme ai rifiuti domestici!

In conformità alla direttiva europea 2002/96/CE sui rifiuti di apparecchiature elettriche ed elettroniche e alla sua attuazione in conformità alla legislazione nazionale, gli utensili elettrici giunti a fine vita devono essere raccolti separatamente e conferiti a un impianto di riciclaggio compatibile con l'ambiente.

ΣΥΜΒΟΛΑ



Διαβάστε προσεκτικά τις οδηγίες χρήσης.



ΠΡΟΣΟΧΗ!



Διπλή μόνωση.



Φορέστε προστατευτικά ακοής.



Φοράτε γυαλιά ασφαλείας.



Φορέστε μάσκα προστασίας.

ΟΔΗΓΙΕΣ ΑΣΦΑΛΕΙΑΣ

Κατά τη χρήση οποιουδήποτε εξοπλισμού, πρέπει να λαμβάνονται ορισμένες προφυλάξεις ασφαλείας για την αποφυγή τραυματισμών και βλαβών. Διαβάστε προσεκτικά το παρόν εγχειρίδιο πριν χρησιμοποιήσετε το εργαλείο. Φυλάξτε αυτό το εγχειρίδιο χρήσης για μελλοντική αναφορά.

Ο όρος "ηλεκτρικό εργαλείο" που χρησιμοποιείται στο παρόν εγχειρίδιο αναφέρεται σε ηλεκτρικά εργαλεία που τροφοδοτούνται με ηλεκτρικό ρεύμα (με καλώδιο τροφοδοσίας) και σε ηλεκτρικά εργαλεία που λειτουργούν με μπαταρία (χωρίς καλώδιο τροφοδοσίας).

Διαβάστε όλες τις οδηγίες ασφαλείας. Η μη τήρηση όλων των προφυλάξεων μπορεί να οδηγήσει σε ηλεκτροπληξία, πυρκαγιά ή/και σοβαρό τραυματισμό.

Ασφάλεια χώρου εργασίας

α) Κρατήστε το χώρο εργασίας σας καθαρό και με καλό φωτισμό. Οι ακατάστατοι ή σκοτεινοί χώροι μπορεί να προκαλέσουν τραυματισμούς.

β) Μην λειτουργείτε τα ηλεκτρικά εργαλεία σε εκρηκτικές ατμόσφαιρες, όπως σε χώρους με εύφλεκτα υλικά, αέρια ή σκόνης. Τα ηλεκτρικά εργαλεία μπορεί να προκαλέσουν σπίθες και να προκαλέσουν ανάφλεξη.

γ) Κρατήστε παιδιά και άλλα άτομα σε απόσταση ασφαλείας ενώ λειτουργείτε το εργαλείο αυτό. Οι περισπασμοί μπορεί να σας κάνουν να χάσετε τον έλεγχο.

Ηλεκτρική ασφάλεια

α) Τα ηλεκτρικά εργαλεία θα πρέπει να ταιριάζουν με την πρίζα. Μην τροποποιήσετε ποτέ το βύσμα. Μην χρησιμοποιείτε αντάπτορες στα γειωμένα ηλεκτρικά εργαλεία. Τα άθικτα βύσματα και οι πρίζες οι οποίες ταιριάζουν θα μειώσουν τον κίνδυνο ηλεκτροπληξίας.

β) Αποφύγετε την επαφή με γειωμένα αντικείμενα, όπως σωλήνες ψυγεία κ.α.. Υπάρχει αυξημένος κίνδυνος ηλεκτροπληξίας εάν το σώμα σας είναι γειωμένο.

γ) Μην εκθέτετε το εργαλείο στην βροχή ή σε υγρές καταστάσεις. Η εισαγωγή νερού σε ένα ηλεκτρικό εργαλείο θα αυξήσει τον κίνδυνο ηλεκτροπληξίας.

δ) Μην χρησιμοποιήσετε το καλώδιο για να μεταφέρετε το μηχάνημα, να το κρεμάσετε ή για να το βγάλετε από την πρίζα. Χαλασμένα ή μπερδεμένα καλώδια αυξάνουν τον κίνδυνο ηλεκτροπληξίας.

ε) Όταν χρησιμοποιείτε ένα ηλεκτρικό εργαλείο σε εξωτερικό χώρο, χρησιμοποιήστε προέκταση κατάλληλη για εξωτερική χρήση. Η χρήση ενός κατάλληλου καλωδίου για εξωτερική χρήση μειώνει τον κίνδυνο ηλεκτροπληξίας.

στ) Εάν η λειτουργία ενός ηλεκτρικού εργαλείου σε χώρο με υγρασία δεν μπορεί να αποφευχθεί, χρησιμοποιήστε μια ασφάλεια βραχυκύκλωσης για προστασία. Η χρήση αυτής της ασφάλειας μειώνει τον κίνδυνο ηλεκτροπληξίας.

Προσωπική ασφάλεια

α) Δώστε προσοχή στην εργασία σας και χρησιμοποιήστε κοινή λογική όταν χρησιμοποιείτε ηλεκτρικά εργαλεία. Μην χρησιμοποιείτε το εργαλείο όταν είστε κουρασμένοι ή βρίσκεστε κάτω από την επήρεια ουσιών, αλκοόλ ή φαρμάκων. Μια στιγμή απροσεξίας κατά την λειτουργία μπορεί να προκαλέσει σοβαρό τραυματισμό.

β) Η χρήση μέσων ατομικής προστασίας (όπως μάσκες σκόνης, αντιολισθητικά παπούτσια ασφαλείας, κράνος ασφαλείας ή ωτοασπίδες ανάλογα με τον τύπο και τη χρήση του ηλεκτρικού εργαλείου) μειώνει τον κίνδυνο τραυματισμού.

γ) Αποφύγετε την κατά λάθος εκκίνηση. Σιγουρευτείτε ότι ο διακόπτης είναι στην θέση OFF πριν να συνδέσετε το εργαλείο στην πρίζα και πριν να σηκώσετε ή μεταφέρετε το εργαλείο. Η μεταφορά του εργαλείου με το δάχτυλο στο διακόπτη μπορεί να προκαλέσει ατυχήματα.

δ) Αφαιρέστε όλα τα κλειδιά ρύθμισης από το εργαλείο πριν να το λειτουργήσετε. Ένα κλειδί μπορεί να εκτοξευτεί και να προκαλέσει σοβαρό τραυματισμό.

ε) Μην τεντώνετε. Κρατήστε σταθερό πάτημα και ισορροπία κάθε στιγμή. Αυτό σας επιτρέπει να έχετε καλύτερο έλεγχο του εργαλείου σας ανά πάσα στιγμή.

στ) Ντυθείτε κατάλληλα. Μην φοράτε φαρδιά ρούχα και κοσμήματα. Κρατήστε τα μαλλιά, τα ρούχα και τα γάντια σας μακριά από τα κινούμενα μέρη του εργαλείου. Τα φαρδιά ρούχα, τα κοσμήματα και τα μακριά μαλλιά μπορεί να πιαστούν στα κινούμενα μέρη του εργαλείου.

ζ) Εάν το εργαλείο σας συμπεριλαμβάνει σύνδεση με σύστημα απορρόφησης σκόνης σιγουρευτείτε ότι το έχετε συνδέσει και το χρησιμοποιείτε κατάλληλα. Η χρήση αυτού του συστήματος μπορεί να μειώσει τους κινδύνους που συσχετίζονται με την σκόνη.

Ασφάλεια χρήσης ηλεκτρικού εργαλείου

α) Μην υπερφορτώνετε το εργαλείο. Χρησιμοποιήστε το κατάλληλο εργαλείο για την κατάλληλη εργασία. Το σωστό εργαλείο θα κάνει την εργασία πιο αποδοτική και με μεγαλύτερη ασφάλεια στο ρυθμό για το οποίο σχεδιάστηκε.

β) Μην χρησιμοποιείτε το εργαλείο εάν ο διακόπτης δεν λειτουργεί. Οποιοδήποτε εργαλείο που δεν μπορεί να ελεγχθεί είναι επικίνδυνο και πρέπει να επισκευαστεί.

γ) Αποσυνδέστε το εργαλείο από την πρίζα πριν να πραγματοποιήσετε ρυθμίσεις, αλλαγή εξαρτημάτων και πριν την αποθήκευση. Με τον τρόπο αυτό μειώνετε τον κίνδυνο της κατά λάθος εκκίνησης.

δ) Αποθηκεύστε τα εργαλεία μακριά από παιδιά και μην επιτρέπετε σε άτομα που δεν γνωρίζουν τις οδηγίες αυτές να το λειτουργήσουν. Τα ηλεκτρικά εργαλεία είναι επικίνδυνα στα χέρια ατόμων που δεν έχουν την κατάλληλη γνώση.

ε) Συντηρήστε τα ηλεκτρικά εργαλεία. Ελέγξτε για προβλήματα στα κινούμενα μέρη, σπασμένα ανταλλακτικά και για όποια άλλη κατάσταση μπορεί να επηρεάσει τον τρόπο λειτουργίας του εργαλείου. Εάν το εργαλείο είναι χαλασμένο θα πρέπει να δοθεί σε εξουσιοδοτημένο σέρβις για επισκευή. Πολλά ατυχήματα μπορεί να προκύψουν από ένα κακό συντηρημένο εργαλείο.

στ) Κρατήστε τα εξαρτήματα κοπής αιχμηρά. Τα εξαρτήματα κοπής που είναι αιχμηρά είναι πιο απίθανο να μπλοκάρουν και πιο εύκολο να ελεγχθούν.

ζ) Χρησιμοποιήστε τα εργαλεία, τα εξαρτήματα και τα ανταλλακτικά σύμφωνα με τις οδηγίες αυτές λαμβάνοντας υπόψη τις συνθήκες εργασίας και την εργασία που θέλετε να εκτελέσετε. Η χρήση του εργαλείου για διαφορετικές λειτουργίες από αυτές για τις οποίες έχει σχεδιαστεί μπορεί να προκαλέσει επικίνδυνες καταστάσεις.

Σέρβις

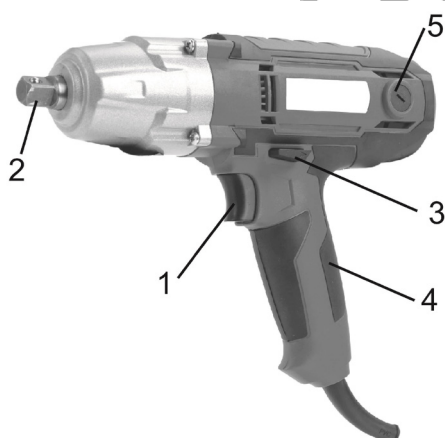
Παραδώστε τα εργαλεία σας σε εξουσιοδοτημένο τεχνικό για σέρβις και επισκευές χρησιμοποιώντας μόνο αυθεντικά ανταλλακτικά.

Οδηγίες ασφαλείας για μπουλουνόκλειδο

- α) Χρησιμοποιήστε το κλειδί σωστά, μόνο με τον τρόπο και για τις λειτουργίες που περιγράφονται στο παρόν εγχειρίδιο.
- β) Ελέγχετε για κακή ευθυγράμμιση ή κακή στήριξη των κινούμενων εξαρτημάτων, ζημιές στα εξαρτήματα και κάθε άλλη συνθήκη που μπορεί να επηρεάσει τη λειτουργία του εργαλείου. Εάν έχει υποστεί βλάβη, αναθέστε την επισκευή του εργαλείου σε εξειδικευμένο τεχνικό.
- γ) Χρησιμοποιείτε μόνο εξαρτήματα που συνιστώνται από τον κατασκευαστή για το μοντέλο σας. Τα αξεσουάρ που δεν είναι κατάλληλα για το εργαλείο σας μπορεί να προκαλέσουν τραυματισμό ή ζημιές.
- δ) Επιλέξτε τις σωστές υποδοχές ανάλογα με το μέγεθος του μπουλονιού, του παξιμαδιού και της υποδοχής. Η χρήση ακατάλληλων εξαρτημάτων θα έχει ως αποτέλεσμα ζημιές στο μπουλόνι και το εργαλείο. Οι προδιαγραφές του μπουλονιού, του παξιμαδιού και η απαιτούμενη ροπή πρέπει να συμφωνούν με επίσημα πρότυπα. Χρησιμοποιείτε μόνο καρυδάκια με το κλειδί. Μην χρησιμοποιείτε μη τυποποιημένες υποδοχές.
- ε) Μην πιέζετε το εργαλείο. Όταν σφίγγετε ένα παξιμάδι ή μπουλόνι, μην αφήνετε ποτέ το κλειδί να χτυπήσει περισσότερο από 7-8 φορές για να αποφύγετε την υπερβολική σύσφιξη. Τελειώστε τη σύσφιξη των παξιμαδιών με το κατάλληλο κλειδί που συνιστά ο κατασκευαστής.
- στ) Συντηρείτε προσεκτικά το καλώδιο τροφοδοσίας του εργαλείου. Κρατήστε το καλώδιο μακριά από το μηχάνημα και βεβαιωθείτε ότι εργάζεστε κοντά σε ηλεκτρική παροχή, ώστε η λειτουργία να μην περιορίζεται από το μήκος του καλωδίου. Εάν εργάζεστε σε εξωτερικούς χώρους, χρησιμοποιείτε πάντα εγκεκριμένη προέκταση καλωδίου σύμφωνη με την ονομαστική ισχύ του εργαλείου.
- ζ) Όταν χρησιμοποιείτε επεκτάσεις καλωδίου, να ξετυλίγετε πάντα το καλώδιο πλήρως.
- η) Μην χρησιμοποιείτε το εργαλείο εάν ο διακόπτης λειτουργίας παρουσιάζει οποιοδήποτε πρόβλημα. Κάθε εργαλείο που δεν μπορεί να ελεγχθεί με τον διακόπτη είναι επικίνδυνο και πρέπει να επισκευαστεί.
- θ) Αποσυνδέστε το φως από την πρίζα πριν κάνετε οποιαδήποτε ρύθμιση, αλλάξτε εξαρτήματα ή αποθηκεύσετε το εργαλείο για να αποφύγετε την ακούσια εκκίνηση του εργαλείου.
- ι) Συντηρείτε τα εργαλεία με προσοχή. Διατηρείτε τα εργαλεία σε καλή κατάσταση και βεβαιωθείτε ότι είναι καθαρά. Τα σωστά συντηρημένα εργαλεία είναι λιγότερο πιθανό να παρουσιάσουν δυσλειτουργία και ελέγχονται ευκολότερα.

ΣΗΜΕΙΩΣΗ: Η ροπή και η ταχύτητα μπορεί να διαφέρουν ανάλογα με το χρόνο λειτουργίας. Για να τοποθετήσετε ή να αφαιρέσετε ένα μπουλόνι, κρατήστε το εργαλείο σε λειτουργία για περισσότερο από 5 δευτερόλεπτα. Η λειτουργία για περισσότερο από 5 δευτερόλεπτα, δεν ισοδυναμεί με υψηλότερη ροπή στρέψης. Η ροπή διαφέρει επίσης ανάλογα με το μέγεθος του μπουλονιού. Η μη χρήση των κατάλληλων υποδοχών ανάλογα με το μέγεθος του μπουλονιού και του παξιμαδιού επηρεάζουν επίσης τη ροπή και την ταχύτητα.

ΠΡΟΔΙΑΓΡΑΦΕΣ



Κύρια Μέρη

1. Διακόπτης ON/OFF switch
2. Υποδοχή 1/2" (13mm)
3. Διακόπτης κατεύθυνσης περιστροφής
4. Λαβή
5. Υποδοχή ψηκτρών

Μέγεθος μπουλονιού - Ροπή

M10-M12: 40-80 Nm
 M12-M14: 100-200 Nm
 M14-M18: 120-200 Nm
 M18-M24: 200-320 Nm

| Τεχνικά Χαρακτηριστικά | |
|------------------------|---|
| Μοντέλο | BEW5100 |
| Τάση | 230V/50hz |
| Ισχύς | 450W |
| Στροφές | 3600r/min |
| Ροπή | 350Nm αριστερόστροφα, 100Nm δεξιόστροφα |
| Υποδοχή | 1/2" |
| Μήκος καλωδίου | 2m |
| Περιλαμβάνει καρυδάκια | 17 / 19 / 21 / 22mm |

* Ο κατασκευαστής διατηρεί το δικαίωμα να πραγματοποιήσει δευτερεύουσες αλλαγές στο σχεδιασμό του προϊόντος και στα τεχνικά χαρακτηριστικά χωρίς προηγούμενη ειδοποίηση, εκτός εάν οι αλλαγές αυτές επηρεάζουν σημαντικά την απόδοση και λειτουργία ασφάλειας των προϊόντων. Τα εξαρτήματα που περιγράφονται / απεικονίζονται στις σελίδες του εγχειριδίου που κρατάτε στα χέρια σας ενδέχεται να αφορούν και σε άλλα μοντέλα της σειράς προϊόντων του κατασκευαστή, με παρόμοια χαρακτηριστικά, και ενδέχεται να μην περιλαμβάνονται στο προϊόν που μόλις αποκτήσατε.

* Για να διασφαλιστεί η ασφάλεια και η αξιοπιστία του προϊόντος καθώς και η ισχύς της εγγύησης όλες οι εργασίες επιδιόρθωσης, ελέγχου, επισκευής ή αντικατάστασης συμπεριλαμβανομένης της συντήρησης και των ειδικών ρυθμίσεων, πρέπει να εκτελούνται μόνο από τεχνικούς του εξουσιοδοτημένου τμήματος Service του κατασκευαστή.

* Χρησιμοποιείτε πάντα το προϊόν με τον παρεχόμενο εξοπλισμό. Η λειτουργία του προϊόντος με μη-προβλεπόμενο εξοπλισμό ενδέχεται να προκαλέσει βλάβη ή ακόμα και σοβαρό τραυματισμό ή θάνατο. Ο κατασκευαστής και ο εισαγωγέας ουδεμία ευθύνη φέρει για τραυματισμούς και βλάβες που προκύπτουν από την χρήση μη προβλεπόμενου εξοπλισμού.

ΛΕΙΤΟΥΡΓΙΑ



Αποσυνδέστε από την παροχή ρεύματος πριν κάνετε ρυθμίσεις ή αλλάξετε εξαρτήματα.

Πριν από την εκκίνηση του εργαλείου

Χρησιμοποιείτε πάντα το σωστό μέγεθος υποδοχής. Η λάθος υποδοχή θα προκαλέσει ζημιά στο παξιμάδι.

Η βίδα ή το παξιμάδι προς σύσφιξη πρέπει να βιδώνεται με το χέρι απευθείας στο σπείρωμα. Δεν μπορεί να ρυθμιστεί διαγώνια.

Μην επιβαρύνετε υπερβολικά το εργαλείο, μην χρησιμοποιείτε υπερβολική δύναμη. Μην πιέζετε τις βίδες με το εργαλείο σας κατά τη χρήση του.

Εάν το μπουλόνι δεν περιστρέφεται και η κίνηση σταματά, σταματήστε τη λειτουργία του εργαλείου. Χρησιμοποιήστε εργαλεία με μεγαλύτερη δύναμη ή σφίξτε τη βίδα με το χέρι. **Μην χρησιμοποιείτε κατσαβίδια χειρός και σφυριά για να σφίξετε το μπουλόνια.**

Ενεργοποίηση/απενεργοποίηση

Εκκινήστε το εργαλείο πατώντας και κρατώντας πατημένο το διακόπτη ON/OFF. Αφήστε τον διακόπτη ON/OFF για να σταματήσετε το εργαλείο.

Κατεύθυνση περιστροφής

Δεξιόστροφα (βιδώνοντας): Σύρετε το διακόπτη περιστροφής (3) προς τα αριστερά. Πατήστε το διακόπτη ON/OFF.

Αριστερόστροφα (ξεβιδώνοντας): Σύρετε τον διακόπτη κατεύθυνσης περιστροφής προς τα δεξιά. Πατήστε το διακόπτη ON/OFF.

Σύρετε το διακόπτη κατεύθυνσης περιστροφής στη μεσαία θέση για να ασφαλίσετε το διακόπτη ON/OFF.

Ρύθμιση ταχύτητας

Ο διακόπτης ON/OFF λειτουργεί και ως ρυθμιστής ταχύτητας. Η αύξηση της πίεσης στο διακόπτη ON/OFF θα αυξήσει την ταχύτητα του εργαλείου.

Προσάρτηση/αφαίρεση εξαρτημάτων

ΠΡΟΣΟΧΗ! Βεβαιωθείτε ότι χρησιμοποιείται η σωστή υποδοχή για τα παξιμάδια στο εκάστοτε όχημά. Ένα λανθασμένο μέγεθος υποδοχής είναι πιθανό να προκαλέσει ζημιά στις κεφαλές των βιδών/παξιμαδιών.

Χαλάρωση παξιμαδιών

1. Αφαιρέστε τυχόν διακοσμητικά στοιχεία του τροχού, επιλέξτε το κατάλληλο καρυδάκι και τοποθετήστε το σταθερά στην υποδοχή του κλειδιού.

2. Κρατώντας το μηχάνημα σταθερά και με τα δύο χέρια, επιλέξτε την κατεύθυνση περιστροφής (3) για να ξεβιδώσετε (αριστερόστροφα) και πατήστε το διακόπτη ON/OFF (1). Η ροπή στρέψης θα αυξηθεί και θα χτυπήσει επανειλημμένα στο παξιμάδι μέχρι να χαλαρώσει.

ΠΡΟΣΟΧΗ! Απελευθερώστε αμέσως τη σκανδάλη όταν το παξιμάδι αρχίσει να χαλαρώνει.

3. Σηκώστε το όχημα σύμφωνα με το εγχειρίδιο του οχήματος, ώστε ο τροχός να είναι ελεύθερος από το έδαφος και, στη συνέχεια, προχωρήστε στην πλήρη αφαίρεση των παξιμαδιών του τροχού.

Σφίξιμο παξιμαδιών

1. Τοποθετήστε το παξιμάδι με το χέρι, εξασφαλίζοντας ότι το σπείρωμα έχει ευθυγραμμιστεί σωστά, και στη συνέχεια, με το κατάλληλο καρυδάκι στο εργαλείο, τοποθετήστε το στο παξιμάδι.

2. Επιλέξτε την κατεύθυνση περιστροφής (3) για να βιδώσετε (δεξιόστροφα), κρατήστε το κλειδί σταθερά και στα δύο χέρια και πιέστε απαλά το διακόπτη ON/OFF (1). Μπορείτε να μεταβάλλετε την ταχύτητα αυξάνοντας την πίεση του δακτύλου στο διακόπτη.

3. Περάστε κάθε παξιμάδι με τη σειρά μέχρι μόνο να "κουμπώσουν". Μην σφίγγετε, μην πιέζετε πλήρως το διακόπτη. Όταν όλα τα παξιμάδια "κουμπώσουν", σφίξτε προοδευτικά πατώντας πλήρως το διακόπτη και αφήνοντας να λειτουργήσει για 3 έως 4 στροφές, για να αποφύγετε το υπερβολικό σφίξιμο.

4. Πάντα να ολοκληρώνετε τη σύσφιξη με το κατάλληλο κλειδί. Το βάρος του οχήματος θα πρέπει να τοποθετηθεί στον τροχό για να μην περιστρέφεται κατά τη σύσφιξη των παξιμαδιών. Βεβαιωθείτε ότι η τελική ροπή που εφαρμόζεται στα παξιμάδια ανταποκρίνεται στις συστάσεις του κατασκευαστή του οχήματος.

ΣΥΝΤΗΡΗΣΗ



Αποσυνδέστε πάντα το βύσμα πριν εκτελέσετε οποιαδήποτε εργασία συντήρησης στο εργαλείο.

- Διατηρήστε τους αεραγωγούς και το περίβλημα του εργαλείου όσο το δυνατόν πιο καθαρό από σκόνη και ρύπους. Καθαρίζετε τακτικά τον εξοπλισμό με ένα στεγνό πανί. Μην χρησιμοποιείτε νερό, καθαριστικά ή διαλύτες που θα μπορούσαν να προκαλέσουν ζημιά στο εργαλείο.
- Εάν το καλώδιο τροφοδοσίας του εργαλείου είναι φθαρμένο ή κατεστραμμένο, επικοινωνήστε με ένα εξουσιοδοτημένο κέντρο σέρβις. Τα καλώδια και τα βύσματα πρέπει να αντικαθίστανται μόνο από εξουσιοδοτημένο προσωπικό για την αποφυγή ζημιών ή βλαβών (ηλεκτροπληξία).

Ψήκτρες (Καρβονάκια)

Αφαιρέστε και επιθεωρήστε τις ψήκτρες μετά από περιόδους εκτεταμένης χρήσης. Αντικαταστήστε τις όταν έχουν φθαρεί. Οι ψήκτρες πρέπει να διατηρούνται καθαρές και να μπορούν να κινούνται ελεύθερα στις υποδοχές. Και οι δύο ψήκτρες πρέπει να αντικαθίστανται ταυτόχρονα ως ζεύγος. Χρησιμοποιήστε ένα κατσαβίδι για να αφαιρέσετε το κάλυμμα της υποδοχής των ψηκτρών από το εργαλείο. Τραβήξτε τις φθαρμένες ψήκτρες και τοποθετήστε νέες πριν τοποθετήσετε το κάλυμμα στη θέση του. Χρησιμοποιείτε μόνο ίδιες ψήκτρες.

ΑΠΟΡΡΙΨΗ ΣΤΟ ΠΕΡΙΒΑΛΛΟΝ

Προκειμένου να αποφευχθούν ζημιές κατά τη μεταφορά, το εργαλείο πρέπει να παραδίδεται σε στερεά συσκευασία. Η συσκευασία καθώς και η μονάδα και τα εξαρτήματα είναι κατασκευασμένα από ανακυκλώσιμα υλικά και μπορούν να απορριφθούν αναλόγως. Τα πλαστικά εξαρτήματα του εργαλείου φέρουν σήμανση ανάλογα με το υλικό τους, γεγονός που καθιστά δυνατή την απομάκρυνση φιλικών προς το περιβάλλον και διαφοροποιημένων λόγω των διαφορετικών εγκαταστάσεων συλλογής.



Μόνο για χώρες της Ευρωπαϊκής Ένωσης

Μην πετάτε τα ηλεκτρικά εργαλεία μαζί με τα οικιακά απορρίμματα!

Σύμφωνα με την Ευρωπαϊκή Οδηγία 2002/96/EK για τα απόβλητα ηλεκτρικού και ηλεκτρονικού εξοπλισμού και την εφαρμογή της σύμφωνα με την εθνική νομοθεσία, τα ηλεκτρικά εργαλεία που έχουν φτάσει στο τέλος της ζωής τους πρέπει να συλλέγονται χωριστά και να επιστρέφονται σε μια περιβαλλοντικά συμβατή εγκατάσταση ανακύκλωσης.

СИМВОЛИ



Внимателно прочетете ръководството за експлоатация.



ПРЕДУПРЕЖДЕНИЕ!



Двойна изолация.



Носете защитни тапи за уши.



Носете предпазни очила.



Носете дихателна маска.

ОБЩИ ПРЕДПАЗНИ МЕРКИ ЗА БЕЗОПАСНОСТ

Когато използвате каквото и да е оборудване, трябва да се вземат определени мерки за безопасност, за да се избегне нараняване и/или повреда. Моля, прочетете внимателно това ръководство, преди да използвате инструмента.

Запазете това ръководство за експлоатация за бъдещи справки.

ВНИМАНИЕ: Прочетете всички правила и инструкции за безопасност. Неспазването на всички мерки за безопасност може да доведе до токов удар, пожар и/или сериозно нараняване.

Терминът "електроинструмент", използван в това ръководство, се отнася до електроинструменти, захранвани с електричество (със захранващ кабел), и електроинструменти, захранвани с батерии (без захранващ кабел).

Безопасност на работното място

- Поддържайте работното си място чисто и добре осветено. Неподредените или зле осветени работни места могат да доведат до злополуки.
- Не използвайте електроинструмента в среда, в която съществува риск от експлозия и в която има запалими течности, газове или прах. Електроинструментите произвеждат искри, които могат да възпламенят прах или пари.
- Не допусквайте външни лица, деца или животни в работната зона. Ако отвлекат вниманието ви, може да загубите контрол над уреда.

Електрическа безопасност

- Щепселът на електроинструмента трябва да бъде включен към правилно заземен контакт. Никога не модифицирайте щепсела по какъвто и да е начин. Никога не използвайте адаптерни щепсели със заземен електроинструмент. Непроменените щепсели и правилните контакти намаляват риска от токов удар.
- Избягвайте контакт на тялото със заземен повърхности като хладилници, тръби и радиатори, когато използвате електрически инструменти. Това ще намали вероятността от токов удар.
- Не излагайте електроинструментите на дъжд или влага. Мокрите инструменти увеличават вероятността от токов удар.
- Не злоупотребявайте с кабела. Никога не използвайте кабела за пренасяне, дърпане или изключване на електроинструмента. Повредените или заплетени кабели увеличават риска от токов удар.
- Пазете захранващите кабели от топлина, вода, масло, остри ръбове и движещи се части. Те могат да повредят изолацията и да причинят токов удар.
- Ако работите на открито с електрически инструмент, използвайте само удължители, които са проектирани и маркирани специално за тази цел.
- Ако работата на електрическия инструмент във влажна среда не може да бъде избегната, използвайте прекъсвач за земно съединение (ELCB), за да намалите риска от токов удар.

Лична безопасност

- Бъдете бдителни, наблюдавайте движенията си и използвайте електроинструмента внимателно. Не използвайте инструмента, ако сте уморени или сте под въздействието на лекарства, алкохол или други вещества. Момент на невнимание при използване на електроинструмента може да доведе до сериозни наранявания.
- Използването на лични предпазни средства (като противопрахови маски, нехлъзгачи се предпазни обувки, предпазна каска или тапи за уши в зависимост от вида и начина на използване на електроинструмента) намалява риска от нараняване. Винаги носете предпазни очила.
- Уверете се, че инструментът не може да се задейства случайно. Уверете се, че електрическият инструмент е изключен, преди да го свържете към захранването и/или да поставите батерията, или когато го вдигате или пренасяте. Включването на уреда, когато той е включен, или преместването на електроинструмента с пръст върху превключвателя за захранването може да доведе до случайно стартиране на инструмента и до злополуки.
- Извадете ключовете и гаечните ключове, преди да включите електрическия инструмент. Влизането на инструмент или ключ в контакт с въртящите се части на инструмента може да доведе до повреда или нараняване.
- Не прекалявайте. Поддържайте правилна стойка и равновесие през цялото време. Това дава възможност за по-добър контрол на електроинструмента в неочаквани ситуации.
- Носете подходящо работно облекло. Дръжте косата, дрехите и ръкавиците далеч от движещите се части. Не носете свободни дрехи или бижута. Свободни дрехи, бижута или дълг а коса могат да попаднат в движещите се части.
- Ако на инструмента могат да се монтират вакуумни и дренажни устройства, уверете се, че те са правилно свързани и се използват. Използването на система за изсмукване на прах може да намали опасностите, свързани с праха.

Безопасност при работа с електроинструменти

- Не претоварвайте инструмента. Използвайте правилния инструмент за всяка задача. Ще можете да работите по-добре и по-безопасно в рамките на определените параметри на работа.
- Не използвайте електроинструмент с повреден превключвател на захранването. Електроинструмент, който не може да бъде включен или изключен, е опасен и трябва да бъде ремонтиран.
- Изключете инструмента от електрическата мрежа и/или извадете батерията, преди да извършвате каквито и да било настройки на инструмента, да сменяте приставки или да приберете инструмента или да го съхранявате. Тази мярка за безопасност предотвратява непреднамереното стартиране на електроинструмента.
- Съхранявайте електрическия инструмент на място, недостъпно за деца и необучени потребители. Само хора, които са прочели и разбрали напълно всички инструкции за безопасност, могат да използват електроинструмента. Електрическите инструменти могат да бъдат опасни, ако се използват от неопитни потребители.
- Почиствайте внимателно електроинструмента си. Проверете дали движещите се части работят правилно и не се задръстват, както и дали няма счупени или повредени части до такава степен, че това да повлияе на работата на електроинструмента. Свържете се с оторизиран сервизен център за евентуални необходими ремонтни работи, преди да използвате инструмента. Недобре поддържаният електроинструмент може да причини сериозни повреди или увреждания.
- Поддържайте всички режещи инструменти остри и чисти. Внимателно поддържаните режещи инструменти с остри режещи ръбове е по-малко вероятно да се заклещат и са по-лесни за управление.
- Използвайте електроинструментите, аксесоарите, приставките и т.н. в съответствие с тези инструкции. Вземете предвид условията на работното място и изпълняваната задача. Използването на електроинструменти за цели, различни от тези, за които са предназначени, може да доведе до опасни ситуации.

Услуга

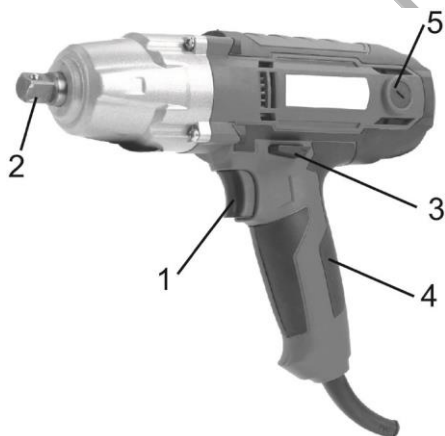
Възлагайте ремонта на електроинструмента само на обучен персонал, който използва само автентични резервни части. Това ще гарантира, че вашият електроинструмент е винаги безопасен за употреба.

Инструкции за безопасност на ударния гаечен ключ

- a) Използвайте гаечния ключ правилно. Използвайте ударния гайковерт само по начина и за функциите, описани в това ръководство.
- b) Проверявайте за неправилно подреждане или лошо закрепване на движещите се части, повреди на частите и всякакви други условия, които могат да повлияят на работата на инструмента. Ако е повреден, извършете сервизно обслужване на инструмента преди употреба.
- c) Използвайте само аксесоари, препоръчани от производителя за вашия модел. Аксесоари, които не са подходящи за вашия инструмент, могат да причинят наранявания или повреди.
- d) Изберете подходящите муфи според размера на болта и гайката и според размера на квадратното задвижване. Използването на неподходящи муфи ще доведе до повреда на болта и инструмента. Спецификацията на болта, гайката и необходимият въртящ момент трябва да съответстват на класа на точност на болта, гайката и националния стандарт. Използвайте само гнезда за ударни гаечни ключове. Не използвайте стандартни муфи.
- e) Не насилвайте инструмента. Когато затягате гайка или болт, никога не позволявайте на ключа да удари повече от 7-8 пъти, за да избегнете прекомерно затягане. Завършете затягането на гайките на колелата с динамометричен ключ или подходящ гаечен ключ до препоръчания от производителя на инструмента въртящ момент на гайките на колелата.
- f) Внимателно поддържайте захранващия кабел на инструмента. Дръжте кабела далеч от машината и се уверете, че работите в близост до електрическо захранване, така че работата да не се ограничава от дължината на кабела. Ако работите на открито, винаги използвайте одобрен удължител на кабела, подходящ за номиналната мощност на този инструмент.
- g) Когато използвате кабелна макара, винаги развивайте кабела напълно.
- h) Не използвайте инструмента, ако превключвателят не го включва или изключва. Всеки инструмент, който не може да се управлява с превключвателя, е опасен и трябва да се ремонтира.
- i) Изключете щепсела от източника на захранване, преди да извършвате каквито и да било настройки, да сменяте аксесоари или да съхранявате инструмента. Тези превантивни мерки за безопасност намаляват риска от случайно стартиране на инструмента.
- j) Съхранявайте неработещите инструменти на място, недостъпно за деца и други необучени лица. Инструментите могат да бъдат опасни в ръцете на необучени потребители.
- k) Поддържайте инструментите внимателно. Поддържайте инструментите в добро състояние и се уверете, че са чисти. Правилно поддържаните инструменти имат по-малка вероятност да се повредят и са по-лесни за управление.

ЗАБЕЛЕЖКА: Въртящият момент и скоростта могат да варират в зависимост от времето на работа. Когато искате да сглобите или разглобите болт, трябва да задържите инструмента в действие за повече от 5 секунди. Поддържането на инструмента в работен режим за повече от 5 секунди не означава по-висок въртящ момент. Въртящият момент също варира в зависимост от различните размери на болта. Неизползването на подходящи гнезда според размера на болта и гайката също ще повлияе на въртящия момент и скоростта.

СПЕЦИФИКАЦИИ



Описание

1. Превключвател ON/OFF
2. 1/2" квадратно задвижване (13 мм)
3. Превключвател за посоката на въртене (дясно/ляво)
4. Дръжка
5. Смяна на въглеродните четки

Размер на болта - въртящ момент

M10-M12: 40-80 Nm
 M12-M14: 100-200 Nm
 M14-M18: 120-200 Nm
 M18-M24: 200-320 Nm

| Технически данни | |
|-----------------------|-----------------------------------|
| Модел | BEW5100 |
| Напрежение | 230V/50hz |
| Захранване | 450W |
| Скорост на празен ход | 3600 об/мин |
| Въртящ момент | 350Nm разхлабване, 100Nm затягане |
| Вал | 1/2" |
| Дължина на кабела | 2m |
| Включва ударни вложки | 17 / 19 / 21 / 22 мм |

* Производителят си запазва правото да прави незначителни промени в дизайна и техническите спецификации на продуктите без предварително уведомление, освен ако тези промени не засягат значително работата и безопасността на продуктите. Частите, описани/илюстрирани на страниците на ръководството, което държите в ръцете си, може да се отнасят и за други модели от продуктовата линия на производителя с подобни характеристики и може да не са включени в току-що придобития от вас продукт.

* За да се гарантира безопасността и надеждността на продукта, както и валидността на гаранцията, всички дейности по ремонт, проверка, поправка или замяна, включително поддръжка и специални настройки, трябва да се извършват само от техници от оторизирания сервизен отдел на производителя.

* Винаги използвайте продукта с доставеното оборудване. Работата на продукта с неосигурено оборудване може да доведе до неизправности или дори до сериозни наранявания или смърт. Производителят и вносителят не носят отговорност за наранявания и щети, възникнали в резултат на използването на несъответстващо на изискванията оборудване.

ОПЕРАЦИЯ

 **Преди да извършвате настройки или да сменят аксесоари, изключете захранването.**

Преди да стартирате инструмента

Винаги използвайте правилния размер на гнездото. Неправилният муфа ще повреди гайката.

Винтът или гайката, които трябва да се затегнат, трябва да се завият ръчно директно върху резбата. Тя не може да бъде поставена по диагонал.

Не претоварвайте инструмента, не използвайте прекомерна сила. Не натискайте болтовете с вас, докато използвате инструмента.

Ако болтът не се завърти и задвижването спре, спрете работата на инструмента. Използвайте инструменти с по-силен удар или затегнете винта на ръка.

Не използвайте ръчни отвертки и чукове, за да затягате винтовете.

Включване/изключване

Стартирайте инструмента, като натиснете и задържите натиснат превключвателя за ON/OFF. Освободете превключвателя ON/OFF, за да спрете инструмента.

Посока на въртене

Дясно (завинтване): Плъзнете превключвателя за въртене (3) наляво. Натиснете превключвателя за ON/OFF.

Вляво (отвинтване): Преместете превключвателя за посоката на въртене надясно. Натиснете превключвателя за ON/OFF.

Плъзнете превключвателя за посоката на въртене в средно положение, за да заключите превключвателя за ON/OFF.

Регулиране на скоростта

Превключвателят за ON/OFF има възможност за регулиране на скоростта. Лекото натискане на превключвателя ON/OFF ще доведе до ниска скорост.

Увеличаването на натиска ще увеличи скоростта.

Прикрепване/отстраняване на гнезда или аксесоари

ПРЕДУПРЕЖДЕНИЕ! Уверете се, че за гайките на вашия автомобил се използва правилният муфаж. Неправилният размер на гнездото може да доведе до повреда на главите на болтовете/гайките.

Разхлабване на гайката

1. Отстранете всички облицовки на колелата, преди да изберете подходящия ключ и да го поставите плътно върху квадратното задвижване на ключа.
2. Изберете подходящата муфа и я поставете плътно върху квадратното задвижване (2) на ключа. Като държите машината здраво в двете си ръце, изберете посоката на въртене (3) за отвиване (обратно на часовниковата стрелка) и натиснете превключвателя за включване/изключване (1). Въртящият момент ще се увеличи и ще въздейства многократно върху гайката, докато гайката се разхлаби. **ВАЖНО!** Освободете веднага спусъка, когато гайката започне да се разхлабва.
3. Повдигнете автомобила съгласно ръководството за експлоатация на превозното средство, така че колелото да е на разстояние от земята, след което пристъпете към пълно развъртане на гайките на колелата.

Затягане на гайката

1. Започнете гайката с ръка, като се уверите, че тя не е с кръстосаща резба, след което с помощта на подходящо гнездо, монтирано на квадратното задвижване (2), го поставете върху гайката.
2. Изберете посоката на въртене (3) за завинтване (по посока на часовниковата стрелка), дръжте гаечния ключ здраво в двете си ръце и натиснете леко превключвателя за включване/изключване (1). Можете да промените скоростта на въртене на шпиндела чрез модулиране на натиска на пръста върху спусъка.
3. Преминвайте последователно през всяка гайка, докато тя не се "закрепи" само отгоре. Не затягайте, не натискайте напълно спусъка. Когато всички гайки са "закрепени", затегнете постепенно, като натиснете спусъка докрай и оставете действието да се задейства само за 3-4 удара, за да предотвратите претягането.
4. Винаги завършвайте затягането с динамометричен ключ или подходящ гаечен ключ. Тежестта на автомобила трябва да се постави върху колелото, за да се предотврати въртенето му, докато гайките се затягат. Уверете се, че крайният въртящ момент на гайките отговаря на препоръките на производителя на автомобила.

ПОДДЪРЖАНЕ

 **Винаги изключвайте щепсела, преди да извършвате каквато и да е работа по поддръжката на инструмента.**

- Поддържайте въздуховодите и корпуса на двигателя възможно най-чисти от мръсотия и прах. Почиствайте редовно оборудването със суха кърпа. Не използвайте вода, почистващи препарати или разтворители, които могат да повредят инструмента.
- Ако захранващият кабел на инструмента е износен или повреден, свържете се с оторизиран сервизен център. Кабелите и щепселите трябва да се подменят само от оторизиран персонал, за да се избегнат повреди или щети (токов удар).

Въглеродни четки

Изваждайте и проверявайте въглеродните четки след периоди на продължителна употреба. Заменете ги, когато са износени. Четките трябва да се поддържат чисти и свободно да се плъзгат нагоре-надолу в държачите. Двете четки трябва да се сменят едновременно като двойка. Използвайте отвертка, за да отстраните капачиците на четкодържателите от корпуса на машината. Извадете износените четки и поставете нови, преди да смените капачиците на четкодържателите. Използвайте само идентични четки.

ЕКОЛОГИЧНО ОБЕЗВРЕЖДАНЕ

За да се избегнат повреди при транспортиране, инструментът трябва да се достави в здрава опаковка. Опаковката, както и устройството и аксесоарите, са изработени от рециклируеми материали и могат да бъдат изхвърлени по съответния начин. Пластмасовите компоненти на инструмента са маркирани според материала, от който са изработени, което прави възможно отстраняването на екологични и диференцирани поради наличните съоръжения за събиране.



Само за страни от ЕС

Не изхвърляйте електрически инструменти заедно с битови отпадъци!

В съответствие с Европейската директива 2002/96/ЕО относно отпадъците от електрическо и електронно оборудване и нейното прилагане в съответствие с националното законодателство, електрическите инструменти, чийто живот е изтекъл, трябва да се събират отделно и да се връщат в екологично съвместимо съоръжение за рециклиране.

SIMBOLI



Pozorno preberite navodila za uporabo.



OPOZORILO!



Dvojna izolacija.



Nosite zaščitne čepke za ušesa.



Nosite zaščitna očala.



Nosite masko za dihanje.

SPLOŠNI VARNOSTNI UKREPI

Pri uporabi katere koli opreme je treba upoštevati določene varnostne ukrepe, da se izognete poškodbam in/ali poškodbam. Pred uporabo orodja natančno preberite ta priročnik.

Ta priročnik za uporabo shranite za poznejšo uporabo.

POZOR: Preberite vse varnostne predpise in navodila. Neupoštevanje vseh varnostnih ukrepov lahko povzroči električni udar, požar in/ali hude telesne poškodbe.

Izraz "električno orodje", uporabljen v tem priročniku, se nanaša na električno orodje, ki ga poganja elektrika (z napajalnim kablom), in električno orodje, ki ga poganjajo baterije (brez napajalnega kabla).

Varnost na delovnem mestu

- Delovno mesto naj bo čisto in dobro osvetljeno. Neurejena ali slabo osvetljena delovna mesta lahko povzročijo nesreče.
- Električnega orodja ne uporabljajte v okolju, kjer obstaja nevarnost eksplozije in vnetljivih tekočin, plinov ali prahu. Električno orodje proizvaja iskre, ki lahko vžgejo prah ali hlapce.
- V delovno območje ne spuščajte mimoidočih, otrok ali živali. Če kdo odvrne pozornost, lahko izgubite nadzor nad napravo.

Električna varnost

- Vtič električnega orodja mora biti priključen v ustrezno ozemljeno vtičnico. Nikoli ne spreminjajte vtiča na kakršen koli način. Nikoli ne uporabljajte adapterskih vtičev z ozemljenim električnim orodjem. Nespremenjeni vtiči in pravilne vtičnice zmanjšujejo nevarnost električnega udara.
- Pri uporabi orodja na električni pogon se izogibajte stiku telesa z ozemljenimi površinami, kot so hladilniki, cevi in radiatorji. Tako boste zmanjšali verjetnost električnega udara.
- Električnih orodij ne izpostavljajte dežju ali vlagi. Mokra orodja povečujejo verjetnost električnega udara.
- Ne zlorablajte kabla. Vrvice nikoli ne uporabljajte za prenašanje, vlečenje ali odklop električnega orodja. Poškodovani ali zapleteni kabli povečujejo nevarnost električnega udara.
- Napajalne kable hranite stran od vročine, vode, olja, ostrih robov in gibljivih delov. Ti lahko poškodujejo izolacijo in povzročijo električni udar.
- Če z električnim orodjem delate na prostem, uporabljajte samo podaljške, ki so zasnovani in označeni posebej za ta namen.
- Če se delovanje električnega orodja v vlažnem okolju ni mogoče izogniti, uporabite odklopnik električnega tokokroga (ELCB), da zmanjšate tveganje električnega udara.

Osebna varnost

- Bodite pozorni, pazite na svoje gibe in previdno uporabljajte električno orodje. Orodja ne uporabljajte, če ste utrujeni ali pod vplivom zdravil, alkohola ali drugih snovi. Trenutek malomarnosti pri uporabi električnega orodja lahko povzroči hude poškodbe.
- Uporaba osebne zaščitne opreme (kot so maske proti prahu, nedrseči varnostni čevlji, zaščitna čelada ali čepki za ušesa, odvisno od vrste in uporabe električnega orodja) zmanjša tveganje za poškodbe. Vedno uporabljajte zaščitna očala.
- Prepričajte se, da se orodje ne more nenamerno zagnati. Prepričajte se, da je električno orodje izklopljeno, preden ga priključite na električno omrežje in/ali vstavite baterijo ali ko ga vzamete v roke ali prenašate. Če priključite napravo, ko je vklopljena, ali premikate električno orodje s prstom na stikalu za napajanje, se lahko orodje nenamerno zažene in pride do nesreč.
- Pred vklopom električnega orodja odstranite ključke in ključke. Orodje ali ključ, ki pride v stik z vrtečimi se deli orodja, se lahko poškoduje ali poškoduje.
- Ne pretiravajte. Vedno imejte pravilno podlago in ravnotežje. To omogoča boljši nadzor nad električnim orodjem v nepričakovanih situacijah.
- Nosite primerna delovna oblačila. Lasje, oblačila in rokavice naj ne bodo v bližini gibljivih delov. Ne nosite ohlapnih oblačil ali nakita. Ohlapna oblačila, nakit ali dolgi lasje se lahko ujamejo v gibljive dele.
- Če so na orodju nameščene vakuumske in drenažne naprave, se prepričajte, da so pravilno priključene in uporabljene. Uporaba sistema za odsesavanje prahu lahko zmanjša nevarnosti, povezane s prahom.

Varnost električnega orodja

- Orodja ne obremenjujte preveč. Za vsako nalogo uporabite pravo orodje. Tako boste lahko delali bolje in varneje v okviru določenih parametrov zmogljivosti.
- Ne uporabljajte električnega orodja z okvarjenim stikalom za napajanje. Električno orodje, ki ga ni mogoče vklopiti ali izklopiti, je nevarno in ga je treba popraviti.
- Pred kakršnikoli nastavitvami na orodju, menjavo nastavkov ali odložitvijo ali shranjevanjem orodja iztknite omrežni kabel in/ali odstranite baterijo. Ta varnostni ukrep preprečuje nenamerni zagon električnega orodja.
- Električno orodje hranite zunaj dosega otrok in nepoučenih uporabnikov. Električno orodje lahko uporabljajo le osebe, ki so prebrale in v celoti razumele vsa varnostna navodila. Električno orodje je lahko nevarno, če ga uporabljajo neizkušeni uporabniki.
- Električno orodje skrbno očistite. Preverite, ali gibljivi deli pravilno delujejo in se ne zataknejo ter ali niso zlomljeni ali poškodovani do te mere, da bi to vplivalo na delovanje električnega orodja. Za morebitna potrebna popravila se pred uporabo orodja obrnite na pooblaščen servisni center. Slabo vzdrževano električno orodje lahko povzroči resne poškodbe ali škodo.
- Orodja za rezanje naj bodo ostra in čista. Skrbno vzdrževana rezalna orodja z ostrimi rezalnimi robovi se redkeje zataknejo in jih je lažje nadzorovati.
- Električno orodje, dodatno opremo, priključke itd. uporabljajte v skladu s temi navodili. Upoštevajte razmere na delovnem mestu in opravljeno nalogo. Uporaba električnih orodij za druge namene, kot so namenjeni, lahko privede do nevarnih situacij.

Storitev

Električno orodje naj popravlja le usposobljeno osebje, ki uporablja le originalne nadomestne dele. Tako boste zagotovili, da bo vaše električno orodje vedno varno za uporabo.

Varnostna navodila za udarni ključ

- a) Ključ uporabljajte pravilno. Udarni ključ uporabljajte samo na način in za funkcije, opisane v tem priročniku.
- b) Preverite, ali so gibljivi deli napačno poravnani ali slabo pritrjeni, ali so poškodovani, in vse druge okoliščine, ki bi lahko vplivale na delovanje orodja. Če je orodje poškodovano, ga pred uporabo popravite.
- c) Uporabljajte samo dodatno opremo, ki jo proizvajalec priporoča za vaš model. Dodatki, ki niso primerni za vaše orodje, lahko povzročijo poškodbe ali škodo.
- d) Izberite ustrezne nastavke glede na velikost vijaka in matice ter velikost kvadratnega gonila. Uporaba napačnih nastavkov bo povzročila poškodbe vijaka in orodja. Specifikacija vijaka, matice in potrebnega navora mora biti skladna z razredom natančnosti vijaka, matice in nacionalnim standardom. Uporabljajte samo nastavke za udarne ključe. Ne uporabljajte standardnih nastavkov.
- e) Orodja ne pritiskajte na silo. Ko zategujete matico ali vijak, nikoli ne dovolite, da bi ključ udaril več kot 7-8-krat, da se izognete pretiranemu zategovanju. Kolesne matice dokončno zategnite z momentnim ključem ali ustreznim ključem do navora za kolesne matice, ki ga priporoča proizvajalec orodja.
- f) Skrbno vzdržujte napajalni kabel orodja. Kabel naj bo dobro oddaljen od stroja in poskrbite, da boste delali v bližini električnega napajanja, da delovanje ne bo omejeno zaradi dolžine kabla. Če delate na prostem, vedno uporabite odobren podaljšek kabla, ki je primeren za nazivno moč tega orodja.
- g) Ko uporabljate kabelski kolut, kabel vedno popolnoma odvijte.
- h) Ne uporabljajte orodja, če ga stikalo ne vklopi ali izklopi. Orodje, ki ga ni mogoče upravljati s stikalom, je nevarno in ga je treba popraviti.
- i) Pred kakršnimikoli nastavitvami, menjavo pribora ali shranjevanjem orodja izključite vtič iz vira napajanja. Takšni preventivni varnostni ukrepi zmanjšujejo tveganje nenamernega zagona orodja.
- j) Neaktivno orodje shranjujte zunaj doseg otrok in drugih nepoučenih oseb. Orodje je lahko v rokah neusposobljenih uporabnikov nevarno.
- k) Orodja skrbno vzdržujte. Orodje vzdržujte v dobrem stanju in poskrbite, da je čisto. Pri pravilno vzdrževanih orodjih je manjša verjetnost, da se bodo pokvarila, in lažje jih je nadzorovati.

OPOMBA: Navor in hitrost se lahko razlikujeta glede na čas delovanja. Kadar želite sestaviti ali razstaviti vijak, naj orodje deluje več kot 5 sekund. Če orodje deluje več kot 5 sekund, to ne pomeni večjega navora. Navor se razlikuje tudi glede na velikost vijaka. Na navor in hitrost vplivata tudi neuporaba ustreznih nastavkov glede na velikost vijaka in matice.

SPECIFIKACIJE



Opis

1. Stikalo za vklop/izklop
2. Kvadratni pogon 1/2" (13 mm)
3. Stikalo smeri vrtenja (desno/levo)
4. Ročaj
5. Zamenjava ogljikovih ščetk

Velikost vijaka - navor

- M10-M12: 40-80 Nm
- M12-M14: 100-200 Nm
- M14-M18: 120-200 Nm
- M18-M24: 200-320 Nm


| Tehnični podatki | |
|--------------------------|---|
| Model | BEW5100 |
| Napetost | 230V/50hz |
| Napajanje | 450W |
| Hitrost brez obremenitve | 3600 obr/min |
| Navorni moment | 350 Nm razrahljanje, 100 Nm zategovanje |
| Gred | 1/2" |
| Dolžina kabla | 2m |
| Vključuje 4 nastavkov | 17 / 19 / 21 / 22 mm |

* Proizvajalec si pridržuje pravico do manjših sprememb zasnovne in tehničnih specifikacij izdelka brez predhodnega obvestila, razen če te spremembe bistveno vplivajo na delovanje in varnost izdelkov. Deli, opisani/prikazani na straneh priročnika, ki ga držite v rokah, se lahko nanašajo tudi na druge modele proizvajalčeve linije izdelkov s podobnimi lastnostmi in morda niso vključeni v izdelek, ki ste ga pravkar pridobili.

* Da bi zagotovili varnost in zanesljivost izdelka ter veljavnost garancije, lahko vsa popravila, preglede, popravila ali zamenjave, vključno z vzdrževanjem in posebnimi nastavitvami, opravljajo le tehniki pooblaščenega servisnega oddelka proizvajalca.

* Izdelek vedno uporabljajte s priloženo opremo. Uporaba izdelka z opremo, ki ni priložena, lahko povzroči motnje v delovanju ali celo hude telesne poškodbe ali smrt. Proizvajalec in uvoznik nista odgovorna za poškodbe in škodo, ki so posledica uporabe neustrezne opreme.

OPERACIJA

 **Pred prilagajanjem ali menjavo dodatne opreme odklopite napajanje.**

Pred zagonom orodja

Vedno uporabite vtičnico prave velikosti. Z napačno vtičnico lahko poškodujete matico.

Vijak ali matico, ki jo je treba zategniti, je treba ročno priviti neposredno na navoj. Ni je mogoče nastaviti diagonalno.

Orodja ne preobremenjujte in ne uporabljajte pretirane sile. Med uporabo orodja z njim ne pritiskajte na vijake.

Če se vijak ne vrtil in se pogon ustavi, prenehajte z delovanjem orodja. Uporabite orodje z močnejšim udarcem ali pa vijak zategnite ročno.

Za zategovanje vijakov ne uporabljajte ročnih izvijačev in kladv.

Vklop/izklop

Orodje zaženite tako, da pritisnete in držite stikalo za vklop/izklop. Za zaustavitev orodja sprostite stikalo za vklop/izklop.

Smer vrtenja

Desno (vijačenje): Stikalo za vrtenje (3) premaknite v levo. Pritisnite stikalo za vklop/izklop.

Levo (odvijanje): Premaknite stikalo za smer vrtenja v desno. Pritisnite stikalo za vklop/izklop.

Stikalo za smer vrtenja potisnite v sredinski položaj, da zaklenete stikalo za vklop/izklop.

Prilagajanje hitrosti

Stikalo za vklop/izklop je opremljeno z regulatorjem hitrosti. Če rahlo pritisnete stikalo za vklop/izklop, bo hitrost nizka. Če pritisk povečate, se hitrost poveča.

Pritrjevanje/odstranjevanje vtičnic ali dodatne opreme

OPOZORILO! Prepričajte se, da za matice v vašem vozilu uporabljate pravilno vtičnico. Nepravilna velikost vtičnice lahko poškoduje glave vijakov/matic.

Sprostitev matice

1. Preden izberete ustrezno vtičnico in jo trdno namestite na kvadratni pogon ključa, odstranite vse obrobe kolesa.

2. Izberite ustrezno vtičnico in jo trdno namestite na kvadratni pogon (2) ključa. Stroj trdno držite v obeh rokah, izberite smer vrtenja (3) za odvijanje (v nasprotni smeri urinega kazalca) in pritisnite stikalo za vklop/izklop (1). Navor bo naraščal in večkrat udaril po matici, dokler matica ne bo popustila.

POMEMBNO! Ko se matica začne rahljati, takoj sprostite sprožilec.

3. Vozilo dvignite v skladu s priročnikom za uporabo vozila, tako da je kolo v zraku nad tlemi, nato pa popolnoma odvijte kolesne matice.

Zategovanje matice

1. Z roko zaženite matico, pri čemer pazite, da ni navzkrižno navita, nato pa z ustrezno vtičnico, nameščeno na kvadratni pogon (2), namestite na matico.

2. Izberite smer vrtenja (3) za vijak (v smeri urinega kazalca), trdno držite ključ v obeh rokah in nežno pritisnite stikalo za vklop/izklop (1). Hitrost vretena lahko spreminjate z modulacijo pritiska prsta na sprožilec.

3. Vsako matico podajte po vrsti, dokler se ne pritrdi samo na vrhu. Ne zategujte in ne pritiskajte sprožilca do konca. Ko so vse matice "pritrdjene", jih postopoma zategnite tako, da do konca pritisnete sprožilec in pustite delovati samo 3 do 4 udarce, da preprečite pretirano zategovanje.

4. Zategovanje vedno končajte z momentnim ključem ali ustreznim ključem. Da se kolo med zategovanjem matic ne bi vrtele, ga je treba obtežiti z maso vozila. Prepričajte se, da je končni navor matic v skladu s priporočili proizvajalca vozila.

VZDRŽEVANJE

 **Pred izvajanjem vzdrževalnih del na orodju vedno odklopite vtič.**

- Zračne kanale in ohišje motorja očistite čim manj umazanije in prahu. Opremo redno čistite s suho krpo. Ne uporabljajte vode, čistilnih sredstev ali topil, ki bi lahko poškodovale orodje.
- Če je napajalni kabel orodja obrabljen ali poškodovan, se obrnite na pooblaščen servisni center. Kable in vtiče sme zamenjati le pooblaščen osebje, da se izognete poškodbam ali škodi (električni udar).

Ogljikove ščetke

Po daljši uporabi odstranite in pregledajte ogljene ščetke. Ko so obrabljene, jih zamenjajte. Ščetke morajo biti čiste in morajo prosto drseti navzgor in navzdol v držalnih. Obe ščetki je treba zamenjati hkrati kot par. Z izvijačem odstranite pokrova držal krtač z ohišja stroja. Pred zamenjavo pokrovov držal krtač izvilcite obrabljene krtače in vstavite nove. Uporabljajte samo enake ščetke.

OKOLJSKO ODSTRANJEVANJE

Da bi se izognili poškodbam pri prevozu, mora biti orodje dobavljeno v trdni embalaži. Embalaža ter enota in dodatki so izdelani iz materialov, ki jih je mogoče reciklirati, in jih je mogoče ustrezno odstraniti. Plastični sestavni deli orodja so označeni glede na njihov material, kar omogoča odstranjevanje okolju prijaznih in diferenciranih zaradi razpoložljivih zbiralnic.



Samo za države EU

Električnega orodja ne odlagajte skupaj z gospodinjskimi odpadki!

V skladu z Evropsko direktivo 2002/96/ES o odpadni električni in elektronski opremi in njenim izvajanjem v skladu z nacionalno zakonodajo je treba električna orodja, ki jim je potekla življenjska doba, zbirati ločeno in jih oddati v okolju prijazno reciklažno napravo.

SIMBOLURI



Citiți cu atenție manualul de utilizare.



AVERTISMENT!



Izolație dublă.



Purtați dopuri de protecție pentru urechi.



Purtați ochelari de protecție.



Purtați o mască de respirație.

PRECAUȚII GENERALE DE SIGURANȚĂ

Atunci când utilizați orice echipament, trebuie luate anumite măsuri de siguranță pentru a evita rănirea și/sau deteriorarea. Vă rugăm să citiți cu atenție acest manual înainte de a utiliza unealta.

Păstrați acest manual al operatorului pentru consultări ulterioare.

ATENȚIE: Citiți toate reglementările și instrucțiunile de siguranță. Nerespectarea tuturor măsurilor de siguranță poate duce la șocuri electrice, incendii și/sau vătămări grave.

Termenul "unealtă electrică" utilizat în acest manual se referă la uneltele electrice alimentate cu energie electrică (cu un cablu de alimentare) și la uneltele electrice alimentate cu baterii (fără un cablu de alimentare).

Siguranța la locul de muncă

- Păstrați-vă locul de muncă curat și bine iluminat. Locurile de muncă neîngrijite sau slab iluminate pot duce la accidente.
- Nu utilizați scula electrică într-un mediu în care există riscul de explozie și în care există lichide, gaze sau praf inflamabile. Uneltele electrice produc scântei care ar putea aprinde praful sau vaporii.
- Nu permiteți accesul în zona de lucru al persoanelor aflate în trecere, copiilor sau animalelor. În cazul în care există o distragere a atenției, puteți pierde controlul asupra aparatului.

Siguranța electrică

- Ștecherul de la scula electrică trebuie să fie conectat la o priză instalată cu împământare corespunzătoare. Nu modificați niciodată fișa în niciun fel. Nu utilizați niciodată fișe adaptoare cu uneltele electrice cu împământare. Ștecherurile nealterate și prizele corecte reduc riscul de electrocutare.
- Evitați contactul corpului cu suprafețele împământate, cum ar fi frigiderul, țevile și radiatoarele, atunci când folosiți uneltele electrice. Acest lucru va reduce probabilitatea de șoc.
- Nu expuneți uneltele electrice la ploaie sau la condiții umede. Uneltele umede cresc probabilitatea de electrocutare.
- Nu abuzați de cablu. Nu folosiți niciodată cablul pentru a transporta, trage sau deconecta scula electrică. Cablurile deteriorate sau încălțite cresc riscul unui șoc electric.
- Țineți cablurile de alimentare departe de căldură, apă, ulei, margini ascuțite și piese în mișcare. Acestea pot deteriora izolația și pot provoca un șoc.
- Dacă lucrați în aer liber cu o unealtă electrică, utilizați numai cabluri prelungitoare proiectate și marcate special în acest scop.
- Dacă nu se poate evita funcționarea sculei electrice într-un mediu umed, utilizați un întrerupător de circuit cu scurgere la pământ (ELCB) pentru a reduce riscul de șoc electric.

Siguranța personală

- Fiți atenți, urmăriți-vă mișcările și folosiți cu grijă un instrument electric. Nu utilizați scula dacă sunteți obosit sau sub influența medicamentelor, a alcoolului sau a altor substanțe. Un moment de neglijență atunci când utilizați scula electrică poate duce la răniri grave.
- Utilizarea echipamentului individual de protecție (cum ar fi măștile de protecție împotriva prafului, pantofii de siguranță antiderapați, cască de protecție sau dopurile de urechi, în funcție de tipul și utilizarea sculei electrice) reduce riscul de rănire. Purtați întotdeauna ochelari de protecție.
- Asigurați-vă că unealta nu poate porni accidental. Asigurați-vă că unealta electrică este oprită înainte de a o conecta la sursa de alimentare și/sau de a introduce bateria, sau atunci când o ridicați sau o transportați. Conectarea aparatului când acesta este pornit sau deplasarea sculei electrice cu degetul pe întrerupătorul de alimentare poate porni accidental scula și poate duce la accidente.
- Scoateți cheile și cheile înainte de a porni scula electrică. O sculă sau o cheie care intră în contact cu piesele rotative ale sculei poate duce la deteriorări sau răniri.
- Nu exagerați. Păstrați în permanență o poziție corectă și un echilibru adecvat. Acest lucru permite un control mai bun al sculei electrice în situații neprevăzute.
- Purtați haine de lucru adecvate. Țineți părul, hainele și mânușile departe de piesele în mișcare. Nu purtați haine largi sau bijuterii. Hainele largi, bijuteriile sau părul lung se poate prinde în piesele în mișcare.
- În cazul în care pe sculă pot fi montate dispozitive de aspirare și drenaj, asigurați-vă că acestea sunt conectate și utilizate corect. Utilizarea unui sistem de aspirare a prafului poate reduce pericolele legate de praf.

Siguranța sculelor electrice

- Nu suprasolicitați instrumentul. Folosiți unealta potrivit pentru fiecare sarcină. Veți putea lucra mai bine și mai sigur în limitele parametrilor de performanță specificați.
- Nu utilizați o unealtă electrică cu un întrerupător de alimentare defect. O unealtă electrică care nu poate fi pornită sau oprită este periculoasă și trebuie reparată.
- Deconectați unealta și/sau scoateți bateria înainte de a efectua orice ajustare a unelei, de a schimba accesoriile sau de a lăsa unealta jos sau de a o depozita. Această măsură de siguranță previne pornirea neintenționată a sculei electrice.
- Țineți scula electrică departe de copii și de utilizatorii neinstruiți. Numai persoanele care au citit și au înțeles complet toate instrucțiunile de siguranță pot utiliza scula electrică. Uneltele electrice pot fi periculoase dacă sunt utilizate de utilizatori neexperimentați.
- Curățați cu grijă scula electrică. Verificați dacă piesele mobile funcționează corect și nu se blochează și dacă nu există piese rupte sau deteriorate într-o asemenea măsură încât să afecteze funcționarea sculei electrice. Contactați un centru de service autorizat pentru orice reparații necesare înainte de a utiliza scula. Uneltele electrice neîntreținute corespunzător pot provoca daune sau vătămări grave.
- Păstrați instrumentele de tăiere ascuțite și curate. Uneltele de tăiere întreținute cu grijă și cu muchii ascuțite sunt mai puțin susceptibile de a se bloca și sunt mai ușor de controlat.
- Folosiți sculele electrice, accesoriile, accesoriile atașate etc. în conformitate cu aceste instrucțiuni. Țineți cont de condițiile de la locul de muncă și de sarcina pe care o aveți de îndeplinit. Utilizarea uneltelor electrice în orice alt scop decât cel pentru care sunt destinate poate duce la situații periculoase.

Serviciul

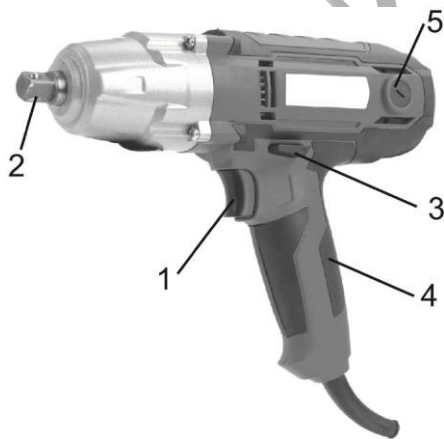
Solicitați repararea sculei electrice numai de către personal calificat, folosind numai piese de schimb autentice. Acest lucru vă va asigura că scula electrică este întotdeauna sigură pentru utilizare.

Instrucțiuni de siguranță pentru cheia de impact

- Utilizați corect cheia. Utilizați cheia cu impact numai în modul și pentru funcțiile descrise în acest manual.
- Verificați dacă există o aliniere greșită sau o fixare necorespunzătoare a pieselor în mișcare, deteriorarea pieselor și orice altă condiție care poate afecta funcționarea sculei. Dacă este deteriorată, solicitați repararea sculei înainte de utilizare.
- Utilizați numai accesoriile recomandate de producător pentru modelul dumneavoastră. Accesoriile care nu sunt potrivite pentru scula dvs. pot provoca răni sau daune.
- Alegeți știfturile potrivite în funcție de dimensiunea șurubului și a piuliței și de dimensiunea transmisiei pătrate. Utilizarea unor prize greșite va duce la deteriorarea șurubului și a sculei. Specificația șurubului, piuliței și a cuplului necesar trebuie să fie în concordanță cu clasa de precizie a șurubului, piuliței și cu standardul național. Folosiți numai prize pentru chei de impact. Nu utilizați prize standard.
- Nu forțați scula. Atunci când strângeți o piuliță sau un șurub, nu lăsați cheia să lovească de mai mult de 7-8 ori pentru a evita strângerea excesivă. Finalizați strângerea piulițelor roților cu o cheie dinamometrică sau o cheie potrivită la cuplul de strângere a piulițelor roților recomandat de producătorul sculei.
- Întrețineți cu atenție cablul de alimentare al sculei. Păstrați cablul la distanță mare de mașină și asigurați-vă că lucrați în apropierea unei surse de alimentare cu energie electrică, astfel încât funcționarea să nu fie restricționată de lungimea cablului. Dacă lucrați în aer liber, utilizați întotdeauna o prelungire de cablu aprobată, adecvată pentru puterea nominală a acestei scule.
- Atunci când folosiți o rolă de cablu, derulați întotdeauna cablul complet.
- Nu utilizați unealta dacă întrerupătorul nu o pornește sau o oprește. Orice unealtă care nu poate fi controlată cu ajutorul comutatorului este periculoasă și trebuie reparată.
- Deconectați ștecherul de la sursa de alimentare înainte de a face orice reglaje, de a schimba accesoriile sau de a depozita unealta. Astfel de măsuri preventive de siguranță reduc riscul de pornire accidentală a sculei.
- Depozitați uneltele nefolositoare la îndemâna copiilor și a altor persoane neinstruite. Uneltele pot fi periculoase în mâinile unor utilizatori neinstruiți.
- Întrețineți instrumentele cu grijă. Păstrați uneltele într-o stare bună și asigurați-vă că sunt curate. Uneltele întreținute corespunzător sunt mai puțin susceptibile de a se defecta și sunt mai ușor de controlat.

NOTĂ: Cuplul și viteza pot varia în funcție de timpul de funcționare. Atunci când doriți să asamblați sau să dezamblați un șurub, doriți să mențineți scula în funcțiune mai mult de 5 secunde. Menținerea sculei în funcțiune mai mult de 5 secunde, nu echivalează cu un cuplu mai mare. Cuplul va varia, de asemenea, în funcție de diferitele dimensiuni ale șurubului. Nefolosirea unor prize adecvate în funcție de dimensiunea șurubului și a piuliței va avea, de asemenea, un impact asupra cuplului și vitezei.

SPECIFICAȚII



Descriere

- Comutator ON/OFF
- Aționare pătrată de 1/2" (13 mm)
- Comutator de direcție de rotație
- Mâner
- Înlocuirea periei de carbon

Dimensiunea șurubului - Cuplu de torsiune

- M10-M12: 40-80 Nm
- M12-M14: 100-200 Nm
- M14-M18: 120-200 Nm
- M18-M24: 200-320 Nm

| Date tehnice | |
|-------------------------|--------------------------------|
| Model | BEW5100 |
| Tensiune | 230V/50hz |
| Putere | 450W |
| Viteza fără sarcină | 3600r/min |
| Cuplu de torsiune | 350Nm slăbire, 100Nm strângere |
| Arbore | 1/2" |
| Lungimea cablului | 2m |
| Include prize cu impact | 17 / 19 / 21 / 22mm |

* Producătorul își rezervă dreptul de a aduce modificări minore la designul și specificațiile tehnice ale produsului fără notificare prealabilă, cu excepția cazului în care aceste modificări afectează în mod semnificativ performanța și siguranța produselor. Piesele descrise / ilustrate în paginile manualului pe care îl țineți în mâini pot varia și alte modele din linia de produse ale producătorului cu caracteristici similare și pot să nu fie incluse în produsul pe care tocmai l-ați achiziționat.

* Pentru a asigura siguranța și fiabilitatea produsului, precum și valabilitatea garanției, toate lucrările de reparații, inspecții, reparații sau înlocuiri, inclusiv întreținerea și reglajele speciale, trebuie efectuate numai de către tehnicienii ai departamentului de service autorizat al producătorului.

* Utilizați întotdeauna produsul cu echipamentul furnizat. Funcționarea produsului cu echipamente care nu sunt furnizate poate cauza defecțiuni sau chiar vătămări grave sau chiar moartea. Producătorul și importatorul nu sunt răspunzători pentru vătămările și daunele rezultate din utilizarea unui echipament neconform.

Operațiune

 **Deconectați sursa de alimentare înainte de a face reglaje sau de a schimba accesoriile.**

Înainte de a porni scula

Folosiți întotdeauna o soclu de mărimea potrivită. O soclu greșit va deteriora piulița.

Șurubul sau piulița care urmează să fie strânsă trebuie să fie înșurubată manual direct pe filet. Nu poate fi fixat în diagonală.

Nu suprasolicitați unealta, nu utilizați o forță excesivă. Nu apăsați cu scula pe șuruburi în timp ce o folosiți.

În cazul în care șurubul nu se rotește și acționarea se oprește, opriți funcționarea sculei. Utilizați unelte cu un impact mai mare sau strângeți șurubul manual.

Nu folosiți șurubelnițe de mână și ciocane pentru a strânge șuruburile.

Comutarea ON/OFF

Porniți scula apăsând și ținând apăsat comutatorul ON/OFF. Eliberați comutatorul ON/OFF pentru a opri scula.

Direcția de rotație

Dreapta (înșurubare): Glisați comutatorul de rotație (3) spre stânga. Apăsați comutatorul ON/OFF.

Stânga (deșurubare): Glisați comutatorul de direcție de rotație spre dreapta. Apăsați comutatorul ON/OFF.

Glisați comutatorul de rotație în poziția de mijloc pentru a bloca comutatorul ON/OFF.

Reglarea vitezei

Comutatorul ON/OFF are un control variabil al vitezei. Apăsarea ușoară a comutatorului ON/OFF va avea ca rezultat o viteză redusă. Creșterea presiunii va crește viteza.

Fixarea/îndepărtarea prizelor sau a accesoriilor

AVERTISMENT! Asigurați-vă că se utilizează soclul corect pentru piulițele de pe vehiculul dumneavoastră. O mărime incorectă a soclului riscă să deterioreze capetele șuruburilor/piulițelor.

Slăbirea piuliței

1. Îndepărtați orice garnitură de roată, înainte de a selecta soclul adecvat și de a-l plasa ferm pe unitatea pătrată a cheii.
2. Selectați soclul adecvat și puneți-l ferm pe unitatea pătrată (2) a cheii. Ținând ferm aparatul cu ambele mâini, selectați direcția de rotație (3) pentru deșurubare (în sens invers acelor de ceasornic) și apăsați comutatorul ON/OFF (1). Cuplul se va acumula și va lovi piulița în mod repetat până când piulița este slăbită. **IMPORTANT!** Eliberați imediat trăgaciul atunci când piulița începe să se slăbească.
3. Ridicați vehiculul în conformitate cu manualul vehiculului, astfel încât roata să nu se afle la sol, apoi procedați la desfacerea completă a piulițelor roților.

Strângerea piuliței

1. Porniți piulița cu mâna, asigurându-vă că nu este filetată transversal, apoi, cu soclul corespunzător instalat pe unitatea pătrată (2), plasați-o pe piuliță.
2. Selectați direcția de rotație (3) pentru a înșuruba (în sensul acelor de ceasornic), țineți cheia ferm în ambele mâini și apăsați ușor comutatorul ON/OFF (1). Puteți varia viteza de rotație a axului prin modularea presiunii cu degetul pe trăgaci.
3. Treceți fiecare piuliță pe rând până când se "fixează" numai în partea de sus. Nu strângeți, nu apăsați complet trăgaciul. Când toate piulițele sunt "fixate", strângeți progresiv, apăsând complet trăgaciul și lăsând acțiunea să acționeze doar pentru 3 sau 4 impacturi, pentru a preveni strângerea excesivă.
4. Finalizați întotdeauna strângerea cu o cheie dinamometrică sau o cheie potrivită. Greutatea vehiculului va trebui să fie plasată pe roată pentru a o împiedica să se rotească în timp ce piulițele sunt strânse. Asigurați-vă că cuplul final aplicat piulițelor respectă recomandările producătorului vehiculului.

Întreținere

 **Deconectați întotdeauna fișa înainte de a efectua orice operațiune de întreținere a sculei.**

- Păstrați conductele de aer și carcasa motorului cât mai libere de murdărie și praf. Curățați echipamentul în mod regulat cu o cârpă uscată. Nu utilizați apă, agenți de curățare sau solvenți care ar putea deteriora unealta.
- În cazul în care cablul de alimentare al sculei este uzat sau deteriorat, contactați un centru de service autorizat. Cablurile și fișele trebuie înlocuite numai de către personal autorizat pentru a evita deteriorarea sau vătămarea (șoc electric).

Periile de carbon

Îndepărtați și inspectați periile de carbon după perioade de utilizare prelungită. Înlocuiți-le atunci când sunt uzate. Periile trebuie să fie menținute curate și libere să alunece în sus și în jos în suporturi. Ambele perii trebuie înlocuite în același timp, ca pereche. Folosiți o șurubelniță pentru a îndepărta capacele suporturilor de perii de pe corpul mașinii. Scoateți periile uzate și introduceți perii noi înainte de a înlocui capacele suporturilor de perii. Utilizați numai perii identice.

Eliminarea mediului

Pentru a evita deteriorările în timpul transportului, scula trebuie să fie livrată într-un ambalaj solid. Ambalajul, precum și unitatea și accesoriile sunt fabricate din materiale reciclabile și pot fi eliminate în mod corespunzător. Componentele din plastic ale uneltei sunt marcate în funcție de materialul lor, ceea ce face posibilă îndepărtarea ecologică și diferențiată datorită facilităților de colectare disponibile.



Numai pentru țările UE

Nu aruncați sculele electrice împreună cu deșeurile menajere!

În conformitate cu Directiva europeană 2002/96/CE privind deșeurile de echipamente electrice și electronice și cu punerea în aplicare a acesteia în conformitate cu legislația națională, uneltele electrice care au ajuns la sfârșitul duratei lor de viață trebuie colectate separat și returnate la o instalație de reciclare compatibilă cu mediul.

EL

Τα ηλεκτρικά εργαλεία έχουν κατασκευαστεί με αυστηρά πρότυπα που έχει θέσει η εταιρεία και συνάδουν με τα ευρωπαϊκά πρότυπα ποιότητας. Για τα ηλεκτρικά εργαλεία της εταιρείας μας παρέχεται περίοδος εγγύησης 24 μηνών για ερασιτεχνική χρήση, 12 μηνών για επαγγελματική χρήση και 6 μηνών για τις μπαταρίες. Η ισχύς της εγγύησης ξεκινά από την ημερομηνία αγοράς του προϊόντος. Αποδεικτικό του δικαιώματος της εγγύησης αποτελεί το παραστατικό αγοράς του εργαλείου (απόδειξη λιανικής ή τιμολόγιο). Σε καμία περίπτωση η εταιρεία δεν καλύπτει τη σχετική δαπάνη ανταλλακτικών και εργασίας εάν και εφόσον δε συνοδεύεται από αντίγραφο του παραστατικού αγοράς. Σε περίπτωση που η επισκευή πρέπει να γίνει στο service μας η δαπάνη μεταφοράς (από και προς) βαρύνει εξ' ολοκλήρου τον αποστολέα. Τα εργαλεία αποστέλλονται για την επισκευή τους στην εταιρεία ή σε εξουσιοδοτημένο συνεργείο με τον ενδεδειγμένο τρόπο και μέσο μεταφοράς.

ΕΞΑΙΡΕΣΕΙΣ ΚΑΙ ΠΕΡΙΟΡΙΣΜΟΙ ΤΗΣ ΕΓΓΥΗΣΗΣ:

- 1) Ανταλλακτικά που φθείρονται φυσιολογικά από τη χρήση τους (καρβουνάκια, καλώδιο, διακόπτες, φορτιστές, τσοκ κ.λ.π).
- 2) Εργαλεία που έχουν υποστεί ζημιές από τη μη συμμόρφωση με τις οδηγίες του κατασκευαστή.
- 3) Εργαλεία με ελλιπή συντήρηση.
- 4) Χρήση μη ενδεδειγμένων λιπαντικών ή εξαρτημάτων.
- 5) Εργαλεία που έχουν δοθεί χωρίς επιβάρυνση.
- 6) Βλάβη που οφείλεται σε ηλεκτρική σύνδεση σε τάση διαφορετική από την αναγραφόμενη στην πινακίδα συσκευής.
- 7) Σύνδεση σε μη γειωμένο ρευματοδότη.
- 8) Μεταβολή της τάσης του ρεύματος.
- 9) Βλάβη που προκύπτει από τη χρήση αλμυρού νερού (π.χ πλαστικά, αντλίες).
- 10) Βλάβη ή κακή λειτουργία που έχει προκύψει από πλημμελή καθαρισμό του εργαλείου.
- 11) Επαφή του εργαλείου με χημικά, ή βλάβη από υγρασία, διάβρωση.
- 12) Εργαλεία που έχουν υποστεί τροποποιήσεις – αλλαγές ή έχουν ανοιχτεί από μη εξουσιοδοτημένο συνεργείο.
- 13) Εργαλεία που χρησιμοποιούνται για νοίκιαση.

Η εγγύηση καλύπτει αποκλειστικά τη δωρεάν αντικατάσταση του εξαρτήματος που έχει κατασκευαστικό ελάττωμα ή αστοχία υλικού. Σε περίπτωση έλλειψης ανταλλακτικού η εταιρεία διατηρεί το δικαίωμα αντικατάστασης του εργαλείου με άλλο αντίστοιχο μοντέλο. Μετά τη διεκπεραίωση εγγύησης δεν επιμηκύνεται ούτε ανανεώνεται ο χρόνος εγγύησης του εργαλείου. Αντικατάσταση ανταλλακτικού με χρέωση επισκευής, καλύπτεται από 1 χρόνο εγγύησης καλής λειτουργίας, με προϋπόθεση την τήρηση των όρων εγγύησης. Τα ανταλλακτικά ή τα εργαλεία τα οποία αντικαθίστανται παραμένουν στην κατοχή της εταιρείας μας. Άλλες απαιτήσεις, εκτός από αυτές που αναφέρονται σε αυτό το έντυπο εγγύησης επισκευής ή βλαβών ηλεκτρικών εργαλείων, δεν ισχύουν. Για την εγγύηση αυτή ισχύει το ελληνικό Δίκαιο.

EN

The power tools have been manufactured according to strict standards, set by our company, which are aligned with the respective European quality standards. The power tools of our company are provided with a warranty period of 24 months for non-professional use, 12 months for professional use and 6 months for batteries. The warranty is valid from the date of purchase of the product. Proof of the warranty right is the purchase document of the tool (retail receipt or invoice). Under no circumstances shall the company cover the relevant cost of spare parts and respective required working hours unless a copy of the purchase document is presented. In case the repair has to be done by our service department the cost of transportation (to and from) is entirely borne by the sender (client). The tools must be sent for repair to the company or to an authorized workshop in the appropriate way and means of transport.

WARRANTY EXEMPTIONS AND RESTRICTIONS:

- 1) Spare parts that wear out naturally as a consequence of being used (brushes, cables, switches, chargers, chokes etc.).
- 2) Tools damaged as a result of non-compliance with the instructions of the manufacturer.
- 3) Tools poorly maintained.
- 4) Use of improper lubricants or accessories.
- 5) Tools given to third entities free of charge.
- 6) Damage due to an electrical connection at a voltage other than that indicated on the appliance plate.
- 7) Connection to a non-earthed power supply.
- 8) Change in current voltage.
- 9) Damage resulting from the use of salty water (e.g., washing machines, pumps).
- 10) Damage or malfunction resulting from improper cleaning procedure of the tool.
- 11) Contact of the tool with chemicals, or damage as a result of moisture or corrosion.
- 12) Tools that have been modified or opened by unauthorized personnel.
- 13) Tools used for rent.

The warranty covers only the free of charge replacement of the component that presents a manufacturing defect or material failure. In case of lack of a specific spare part the company reserves the right to replace the tool with another corresponding model. After all warranty procedures have been concluded, the warranty period of the tool shall not be extended or renewed. Replacement of a spare part with repair charge is covered by a 1 year warranty of good operation, subject to compliance with the warranty terms. The spare parts or tools that are replaced remain in the possession of our company. Requirements, other than those mentioned in this warranty form, regarding power tools repair or damage thereof, do not apply. Greek law and relative regulations apply to this warranty.

FR

Les outils électriques sont fabriqués selon des normes strictes, établies par notre société et se sont alignées sur les normes de qualité européennes respectives. Les outils électriques de notre société sont bénéficiés d'une garantie de 24 mois pour une utilisation non professionnelle, 12 mois pour une utilisation professionnelle et de 6 mois pour les batteries. La garantie est valable à partir de la date d'achat du produit. La preuve du droit à la garantie est le document d'achat de l'outil (ticket de caisse ou facture). En aucun cas, l'entreprise ne couvrira le coût des pièces de rechange et des heures de travail nécessaires si une copie du document d'achat n'est pas présentée. Si la réparation doit être effectuée par notre service après-vente, les frais de transport (aller- retour) sont entièrement à la charge de l'expéditeur (client). Les outils doivent être envoyés pour réparation à l'entreprise ou à un atelier agréé de la manière et avec le moyen de transport appropriée.

EXEMPTIONS ET RESTRICTIONS DE GARANTIE:

- 1) Les pièces de rechange qui s'usent naturellement suite à leur utilisation (balaise, câbles, interrupteurs, chargeurs, etc.).
- 2) Les outils endommagés à la suite du non-respect des instructions du fabricant.
- 3) Outils mal entretenus.
- 4) Utilisation de lubrifiants ou d'accessoires inappropriés.
- 5) Outils donnés à des tiers à titre gratuit.
- 6) Dommages dus à un mauvais branchement électrique ou à une tension différente de celle indiquée sur la plaque de l'appareil.
- 7) Connexion à une alimentation électrique non reliée à la terre.
- 8) Fluctuation de la tension inacceptable.
- 9) Dommages résultant de l'utilisation d'eau salée (par exemple, machines à laver, pompes).
- 10) Dommages ou dysfonctionnement résultant d'une procédure de nettoyage inadéquate de l'appareil.
- 11) Contact de l'outil avec des produits chimiques, ou dommages résultant de l'humidité ou de la corrosion.
- 12) Les outils qui ont été modifiés ou ouverts par du personnel non autorisé.
- 13) Les outils utilisés à location.

La garantie couvre uniquement le remplacement gratuit du composant qui présente un défaut de fabrication ou une défaillance matérielle. En cas d'absence d'une pièce de rechange spécifique, l'entreprise se réserve le droit de remplacer l'outil par un autre modèle correspondant. Après la conclusion de toutes les procédures de garantie, la période de garantie de l'outil ne sera pas prolongée ou renouvelée. Le remplacement d'une pièce de rechange, ainsi que les frais de réparation, sont couverts par une garantie de bon fonctionnement d'un an, sous réserve du respect des conditions de garantie. Les pièces de rechange ou les outils remplacés restent en possession de notre société. Les exigences, autres que celles mentionnées dans ce formulaire de garantie, concernant la réparation des outils électriques ou leur endommagement, ne sont pas applicables. La loi grecque et ses règlements s'appliquent à cette garantie.

IT

Gli elettrodomestici sono stati fabbricati secondo gli standard rigorosi, stabiliti dalla nostra azienda, che sono allineati con i rispettivi standard di qualità europei. Gli elettrodomestici della nostra azienda sono forniti con un periodo di garanzia di 24 mesi per uso non professionale, 12 mesi per uso professionale e 6 mesi per le batterie. La garanzia è valida dalla data di acquisto del prodotto. La prova del diritto di garanzia è il documento di acquisto dell'utensile (scontrino o fattura). In nessun caso l'azienda coprirà il relativo costo dei pezzi di ricambio e delle rispettive ore di lavoro necessarie se non viene presentata una copia del documento di acquisto. Nel caso in cui la riparazione debba essere effettuata dal nostro servizio di assistenza, il costo del trasporto (da e per) è interamente a carico del mittente (cliente). Gli utensili devono essere inviati per la riparazione all'azienda o ad un'officina autorizzata nel modo e nel mezzo di trasporto appropriato.

ECCEZIONI E LIMITAZIONI ALLA GARANZIA:

- 1) Pezzi di ricambio che si deteriorano naturalmente con l'uso (pezzi di consumo).
- 2) Utensili danneggiati dal mancato rispetto delle istruzioni del produttore.
- 3) Strumenti con manutenzione insufficiente.
- 4) Uso di lubrificanti o parti inappropriate.
- 5) Strumenti dati gratuitamente.
- 6) Guasto dovuto a un collegamento dell'aria compressa a una pressione diversa da quella indicata sulla targhetta dei dati tecnici.
- 7) Danni derivanti dall'uso di aria compressa impura e non filtrata.
- 8) Danni o malfunzionamenti derivanti da una pulizia inadeguata dell'utensile.
- 9) Contatto dell'utensile con prodotti chimici, o danni da umidità, corrosione.
- 10) Strumenti che hanno subito modifiche - cambiamenti o sono stati aperti da un'officina non autorizzata.
- 11) Strumenti utilizzati per il noleggio.
- 12) Strumenti che sono stati modificati o aperti da personale non autorizzato.
- 13) Strumenti utilizzati per il noleggio.

La garanzia copre solo la sostituzione gratuita del componente che presenta un difetto di fabbricazione o di materiale. In caso di mancanza di un pezzo di ricambio specifico, l'azienda si riserva il diritto di sostituire l'utensile con un altro modello corrispondente. Una volta concluse tutte le procedure di garanzia, il periodo di garanzia dell'utensile non potrà essere esteso o rinnovato. La sostituzione di un pezzo di ricambio, insieme al costo della riparazione, è coperta da una garanzia di buon funzionamento di 1 anno, a condizione che vengano rispettati i termini della garanzia. I pezzi di ricambio o gli utensili che vengono sostituiti rimangono in possesso della nostra azienda. I requisiti, diversi da quelli menzionati in questo modulo di garanzia, riguardanti la riparazione di utensili elettrici o il loro danneggiamento, non si applicano. La legge greca e i relativi regolamenti si applicano a questa garanzia.

AL

Mjetet e energjisë janë prodhuar sipas standardeve strikte, të vendosura nga kompania jonë, të cilat janë në përputhje me standardet respektive evropiane të cilësisë. Mjetet e energjisë të kompanisë sonë janë siguruar me një periudhë garancie prej 24 muajsh për përdorim jo profesional, 12 muaj për përdorim profesional dhe 6 muaj për bateritë. Garancia është e vlefshme nga data e blerjes së produktit. Prova e së drejtës së garancisë është dokumenti i blerjes së mjetit (faturë ose faturë me pakicë). Në asnjë rrethanë ndërmarrja nuk mbulon koston përkatëse të pjesëve të këmbimit dhe orarin përkatës të kërkuar të punës, përveç kur është paraqitur një kopje e dokumentit të blerjes. Në rast se riparimi duhet të bëhet nga departamenti ynë i shërbimit kostoja e transportit (për dhe nga) është tërësisht e mbajtur nga dërguesi (klienti). Mjetet duhet të dërgohen për riparim në ndërmarrje ose në një punishte të autorizuar në mënyrën dhe mjetet e duhura të transportit.

PËRJASHTIMET DHE KUFIZIMET E GARANCISË:

- 1) Pjesët rezervë që përdoren në mënyrë natyrale si pasojë e përdorur (furçat, kabllot, ndërruesit, karikuesit, mbytjet etj.).
- 2) Veglat e dëmtuara si rezultat i mosrespektimit të udhëzimeve të prodhuesit.
- 3) Mjetet e mbajtura keq.
- 4) Përdorimi i lubrifikantëve ose aksesoreve të papërshtatshëm.
- 5) Mjetet që u jepen enteve të treta pa pagesë.
- 6) Dëmtimi për shkak të një lidhje elektrike në një tension tjetër nga ai i treguar në pllakën e pajisjes.
- 7) Lidhja me furnizimin me energji jo tokësore.
- 8) Ndryshimi i tensionit aktual.
- 9) Dëmtimet që vijnë si pasojë e përdorimit të ujit të kripur (p.sh., lavatrice, pompa).
- 10) Dëmtimi ose mosfunksionimi që rezultojn nga procedura e papërshtatshme e pastrimit të mjetit.
- 11) Kontakti i mjetit me kimikate, ose dëmtimi si pasojë e lagështisë ose korrozionit.
- 12) Mjete që janë modifikuar ose hapur nga personel i paautorizuar.
- 13) Veglat e përdorura për qira.

Garancia mbulon vetëm zëvendësimin pa pagesë të komponentit që paraqet një defekt prodhues ose dështim material. Në rast të mungesës së një pjese rezervë specifike kompania rezervon të drejtën për të zëvendësuar mjetin me një model tjetër përkatës. Pasi të jenë përfunduar të gjitha procedurat e garancisë, periudha e garancisë së mjetit nuk do të zgjatet ose të rinovohet. Zëvendësimi i një pjese rezervë, së bashku me ngarkesën e riparimit, mbulohet nga një garanci veprimi e mirë 1 vit, subjekt i përputhjes me kushtet e garancisë. Pjesët e këmbimit ose mjetet që zëvendësohen mbeten në zotërim të kompanisë sonë. Kërkesat, përveç atyre të përmendura në këtë formë garancie, në lidhje me riparimin ose dëmtimin e mjeteve të energjisë elektrike, nuk zbatohen. Ligji grek dhe rregullat relative zbatohen për këtë garancia.

SRB

Električni alati su proizvedeni prema strogim standardima koje je postavila naša kompanija a koji su usklađeni sa odgovarajućim evropskim standardima kvaliteta. Električni alati naše kompanije imaju garantni rok od 24 meseca za neprofesionalnu upotrebu, 12 meseci za profesionalnu upotrebu i 6 meseci za baterije. Garancija važi od dana kupovine proizvoda. Dokaz za pravo na garanciju je dokument o kupovini električnog alata (maloprodajni račun ili faktura). Ni pod kojim okolnostima kompanija neće pokriti relevantne troškove rezervnih delova i potrebno odgovarajuće radno vreme ako se ne predoči kopija dokumenta o kupovini. U slučaju da popravku treba da uradi naš servis, troškove transporta (do i od) u potpunosti snosi pošiljalac (klijent). Električni alati za popravku se šalju u firmu gde su kupljeni ili u ovlašćeni servis i to tako da budu prikladno upakovani za transport.

IZUZECI I OGRANIČENJA GARANCIJE:

- 1) Rezervni delovi koji se prirodno troše kao posledica korišćenja (četkice, kablovi, prekiđači, punjači, prigušnice itd).
- 2) Alati oštećeni kao posledica nepoštovanja uputstva proizvođača.
- 3) Alati su loše održavani.
- 4) Upotreba neodgovarajućih maziva ili pribora.
- 5) Alati su dati trećim licima besplatno.
- 6) Oštećenje usled električnog priključka na napon koji nije naznačen na pločici uređaja.
- 7) Povezivanje na neuzemljeno napajanje.
- 8) Promena napona struje.
- 9) Oštećenja nastala upotrebom slane vode (npr. mašine za pranje veša, pumpe).
- 10) Oštećenje ili kvar nastao kao posledica nepravilne procedure čišćenja alata.
- 11) Kontakt alata sa hemikalijama ili oštećenje usled vlage ili korozije.
- 12) Alati koje je modifikovalo ili otvorilo neovlašćeno osoblje.
- 13) Alati koji se koriste za iznajmljivanje.

Garancija pokriva samo besplatnu zamenu komponente koja ima fabričku grešku ili materijalne nedostatke. U slučaju nedostatka rezervnog dela, kompanija zadržava pravo zamene električnog alata drugim odgovarajućim modelom. Nakon isteka garantnog roka, garantni rok električnog alata se ne produžava niti obnavlja. Rezervni delovi ili Električni alati koji su zamenjeni ostaju u posedu naše kompanije. Zamena rezervnog dela, zajedno sa naplatom popravke, pokrivena je garancijom za 1 godinu dobrog rada, koja podleže poštovanju uslova garancije. Zahtevi, osim onih navedenih u ovom obrascu garancije, u vezi sa popravkom električnog alata ili njegovim oštećenjem ne važe. Na ovu garanciju se primenjuju grčki zakoni i odgovarajući propisi.

EN WARRANTY

This appliance is a quality product. It was designed in compliance with current technical standards and made carefully using normal, good quality materials. The warranty period is 24 months for non-professional use and 12 months for professional use and commences on the date of purchase, which can be verified by the receipt, invoice or delivery note. During this warranty period all functional errors, which, despite the careful treatment described in our operating manual, are verifiably due to material flaws, will be rectified by our after-sales service staff. The warranty takes the form that defective parts will be repaired or replaced with perfect parts free of charge at our discretion. Replaced parts will become our property. Repair work or the replacement of individual parts will not extend the warranty period nor will it result in a new warranty period being commenced for the appliance. No separate warranty period will commence for spare parts that may be used. We cannot offer a warranty for damage and defects on appliances or their parts caused by the use of excessive force, improper treatment and servicing. This also applies for failures to comply with the operating manual and the installation or spare and accessory parts that are not included in our range of products. In the event of interference with or modifications to the appliance by unauthorized persons, the warranty will be rendered void. Damages that are attributable to improper handling, over loading, or natural wear and tear are excluded from the guarantee. Damages caused by the manufacturer or by a material defect will be corrected at no charge by repair or by providing spare parts. The prerequisite is that the equipment is handed over assembled, and complete with the proof of sale and guarantee. For a guarantee claim, only use the original packaging. That way, we can guarantee quick and smooth guarantee processing. Please send us the appliances post-paid or request a Freeway sticker. Unfortunately we will be unable to accept appliances that are not postpaid. The warranty does not cover parts that are subject to natural wear and tear. If you wish to make a warranty claim, report faults or order spare parts or accessories, please contact the after-sales center: Subject to change without prior notice.

DE GARANTIE

Dieses Gerät ist ein Qualitätsprodukt. Es wurde gemäß den aktuellen technischen Standards entworfen und sorgfältig mit normalen, hochwertigen Materialien hergestellt. Die Garantiezeit beträgt 24 Monate bei nicht-professioneller Nutzung und 12 Monate bei professioneller Nutzung und beginnt mit dem Kaufdatum, was anhand von Quittung, Rechnung oder Lieferschein überprüft werden kann. Während dieser Garantiezeit werden alle Funktionsfehler, die trotz der in unserer Bedienungsanleitung beschriebenen sorgfältigen Behandlung nachweislich auf Materialfehler zurückzuführen sind, von unseren Kundendienstmitarbeitern behoben. Die Garantie besteht in der Form, dass defekte Teile nach unserem Ermessen kostenlos repariert oder durch einwandfreie Teile ersetzt werden. Ersetzte Teile werden unser Eigentum. Reparaturarbeiten oder der Austausch einzelner Teile verlängern die Garantiezeit nicht und führen nicht zu einer neuen Garantiezeit für das Gerät. Für eventuell verbrauchte Ersatzteile beginnt keine gesonderte Gewährleistungsfrist. Wir können keine Garantie für Schäden und Mängel an Geräten oder deren Teilen geben, die durch übermäßige Gewaltanwendung, unsachgemäße Behandlung und Wartung verursacht wurden. Dies gilt auch für die Nichtbeachtung der Bedienungsanleitung und der Montage- oder Ersatz- und Zubehörteile, die nicht in unserem Sortiment enthalten sind. Bei Eingriffen in die Änderung durch unbefugte Personen am Gerät erlischt die Garantie. Schäden, die auf unsachgemäße Behandlung, Überlastung oder natürliche Abnutzung zurückzuführen sind, sind von der Garantie ausgeschlossen. Schäden, die vom Hersteller oder durch einen Materialfehler verursacht werden, werden durch Reparatur oder Ersatzteillieferung kostenlos behoben. Voraussetzung ist, dass das Gerät zusammen mit dem Verkaufsbeleg und der Garantie zusammengebaut übergeben wird. Verwenden Sie für einen Garantieanspruch nur die Originalverpackung. Auf diese Weise können wir eine schnelle und reibungslose Garantieabwicklung gewährleisten. Bitte schicken Sie uns die Geräte im Nachhinein oder fordern Sie einen Freeway-Aufkleber an. Geräte, die nicht nachbezahlt werden, können wir leider nicht akzeptieren. Die Garantie erstreckt sich nicht auf Teile, die einem natürlichen Verschleiß unterliegen. Wenn Sie einen Garantieanspruch geltend machen, Fehler melden oder Ersatzteile oder Zubehör bestellen möchten, wenden Sie sich bitte an das Kundendienstcenter: Änderungen vorbehalten.

FR GARANTIE

Cet appareil est un produit de qualité. Il a été conçu conformément aux normes techniques en vigueur et fabriqué avec soin à l'aide de matériaux usuels et de qualité. La période de garantie est de 24 mois pour une utilisation non professionnelle et 12 mois pour une utilisation professionnelle et débute à la date d'achat. Elle peut être vérifiée sur le reçu, la facture ou le bon de livraison. Pendant cette période de garantie, toutes les erreurs de fonctionnement qui, malgré le traitement minutieux décrit dans notre manuel d'utilisation, sont dues à des défauts matériels, seront corrigées par notre service après-vente. La garantie prend la forme que les pièces défectueuses seront réparées ou remplacées par des pièces parfaites gratuitement à notre discrétion. Les pièces remplacées deviendront notre propriété. Les travaux de réparation ou le remplacement de pièces individuelles ne prolongeront pas la période de garantie et n'entraîneront pas le début d'une nouvelle période de garantie pour l'appareil. Aucune période de garantie séparée ne commencera pour les pièces de rechange susceptibles d'être utilisées. Nous ne pouvons pas offrir de garantie pour les dommages et les défauts des appareils ou de leurs pièces causés par l'utilisation d'une force excessive, un traitement ou un entretien inapproprié. Ceci s'applique également aux cas de non-respect du manuel d'utilisation et de l'installation ou des pièces détachées et accessoires non compris dans notre gamme de produits. En cas d'interférence avec des modifications apportées à l'appareil par des personnes non autorisées, la garantie sera annulée. Les dommages résultant d'une mauvaise manipulation, d'un chargement excessif ou d'une usure naturelle sont exclus de la garantie. Les dommages causés par le fabricant ou par un défaut matériel seront corrigés gratuitement par la réparation ou par la fourniture de pièces de rechange. La condition préalable est que le matériel soit remis assemblé et accompagné de la preuve de vente et de la garantie. Pour une demande de garantie, utilisez uniquement l'emballage d'origine. De cette manière, nous pouvons garantir un traitement rapide et sans heurts des garanties. S'il vous plaît envoyez-nous les appareils post-payés ou demandez un autocollant Freeway. Malheureusement, nous ne pourrions pas accepter les appareils non post-payés. La garantie ne couvre pas les pièces soumises à une usure naturelle. Si vous souhaitez faire une demande de garantie, signaler un défaut ou commander des pièces de rechange ou des accessoires, veuillez contacter le service après-vente: Sujet à modification sans préavis.

ESP GARANTÍA

Este aparato es un producto de calidad. Fue diseñado de acuerdo con las normas técnicas actuales y se hizo con cuidado utilizando materiales normales y de buena calidad. El período de garantía es de 24 meses para uso no profesional y de 12 meses para uso profesional y comienza en la fecha de compra, que puede verificarse mediante el recibo, la factura o la nota de entrega. Durante este período de garantía, todos los errores funcionales que, a pesar del tratamiento cuidadoso que se describen en nuestro manual de operación, son verificables debido a fallas materiales, serán corregidos por nuestro personal de servicio postventa. La garantía adquiere la forma de que las piezas defectuosas se repararán o reemplazarán con piezas perfectas de forma gratuita a nuestra discreción. Las partes reemplazadas se convertirán en nuestra propiedad. Los trabajos de reparación o el reemplazo de piezas individuales no ampliarán el período de garantía, no dará lugar a que se comience un nuevo período de garantía para el aparato. No se iniciará ningún período de garantía por separado para las piezas de repuesto que puedan ser utilizadas. No podemos ofrecer una garantía por daños y defectos en los aparatos o sus partes causados por el uso excesivo de la fuerza, el tratamiento y el servicio incorrectos. Esto también se aplica a las fallas en el cumplimiento del manual de operación y la instalación o piezas de repuesto y accesorios que no están incluidos en nuestra gama de productos. En caso de interferencia con modificaciones al aparato por parte de personas no autorizadas, la garantía quedará anulada. Los daños que son atribuibles a un manejo inadecuado, sobrecarga o desgaste natural están excluidos de la garantía. Los daños causados por el fabricante o por un defecto de material se corregirán sin costo alguno por reparación o proporcionando piezas de repuesto. El requisito previo es que el equipo se entregue ensamblado y se complete con el comprobante de venta y garantía. Para una reclamación de garantía, utilice únicamente el embalaje original. De esta manera, podemos garantizar un rápido y suave procesamiento de garantías. Por favor, envíenos los electrodomésticos con pospago o solicite una etiqueta de Freeway. Lamentablemente, no podremos aceptar aparatos que no sean de pospago. La garantía no cubre las piezas que están sujetas a desgaste natural. Si desea realizar un reclamo de garantía, informar fallas o solicitar piezas de repuesto o accesorios, comuníquese con el centro de postventa: Sujeto a cambios sin previo aviso.

IT

GARANZIA

Questo apparecchio è un prodotto di qualità. È stato progettato in conformità con le attuali norme tecniche e realizzato con attenzione utilizzando materiali normali di buona qualità. Il periodo di garanzia è di 24 mesi per uso non professionale e di 12 mesi per uso professionale e decorre dalla data di acquisto, che può essere verificata tramite ricevuta, fattura o bolla di consegna. Durante questo periodo di garanzia tutti gli errori funzionali, che, nonostante l'accurato trattamento descritto nel nostro manuale operativo, sono verificabili a causa di difetti dei materiali, verranno risolti dal nostro personale di assistenza post-vendita. La garanzia assume la forma che le parti difettose saranno riparate o sostituite con parti perfette gratuitamente a nostra discrezione. Le parti sostituite diventeranno di nostra proprietà. I lavori di riparazione o la sostituzione di singole parti non prolungheranno il periodo di garanzia, poiché non si verificherà un nuovo periodo di garanzia per l'apparecchio. Non inizierà alcun periodo di garanzia separato per i pezzi di ricambio che possono essere utilizzati. Non possiamo offrire una garanzia per danni e difetti su apparecchi o loro parti causati dall'uso di forza eccessiva, trattamento e manutenzione inadeguati. Ciò vale anche per il mancato rispetto del manuale operativo e delle parti di installazione o di ricambio e accessori non inclusi nella nostra gamma di prodotti. In caso di interferenza con modifiche che all'apparecchio da parte di persone non autorizzate, la garanzia sarà invalidata. Sono esclusi dalla garanzia i danni riconducibili a uso improprio, sovraccarico o usura naturale. I danni causati dal prodotto o da un difetto o materiale verranno corretti gratuitamente mediante riparazione o fornitura di pezzi di ricambio. Il presupposto è che l'attrezzatura sia consegnata assemblata e completa con la prova di vendita e garanzia. Per una richiesta di garanzia, utilizzare solo la confezione originale. In questo modo, possiamo garantirvi un'elaborazione della garanzia rapida e agevole. Vi preghiamo di inviarci gli elettrodomestici post-pagamento o richiedere un adesivo Freeway. Purtroppo non saremo in grado di accettare apparecchi che non sono postpagati. La garanzia non copre parti soggette a usura naturale. Se si desidera presentare una richiesta di intervento in garanzia, segnalare guasti o ordinare pezzi di ricambio o accessori, contattare il centro assistenza: soggetto a modifiche senza preavviso.

SLO

GARANCIJA

Ta aprava je kakovosten izdelek. Zasnovan je bil v skladu z veljavnimi tehničnimi standardi in skrbno izdelan z običajnimi, kakovostnimi materiali. Garancijsko obdobje je 24 mesecev za neprofesionalno uporabo in 12 mesecev za profesionalno uporabo in se začne na dan nakupa, ki ga je mogoče preveriti s potrdilom o prejemu, računom ali dobavnico. V času garancijskega roka bodo vse funkcionalne napake, ki so kljub skrbni obdelavi, opisani v naših navodilih za uporabo, preverljive zaradi materialnih napak, odpravile naše servisno osebje. Garancija prevzame obliko, da bodo okvarjeni deli po lastni presoji brezplačno popravljene ali zamenjane z brezhibnimi deli. Zamenjani deli bodo postali naša last. Popravila ali zamenjava posameznih delov ne podaljšujejo garancijskega roka, dokler ne začne veljati nova garancijska doba za napravo. Za rezervne dele, ki se lahko pojavijo, se ne bo začelo ločeno garancijsko obdobje. Ne moremo ponuditi garancije za poškodbe in napake na napravah ali njihovih delih zaradi uporabe prekomerne sile, nepravilne obdelave in servisiranja. To velja tudi za neupoštevanje navodil za uporabo in namestitve ali rezervnih delov in dodatkov, ki niso vključeni v našo paleto izdelkov. V primeru motenj v napravi s strani nepooblaščenih oseb, se garancija razveljavi. Poškodbe, ki so posledica nepravilnega ravnanja, obremenitve ali naravne obrabe, so izključene iz garancije. Poškodbe, ki jih povzročijo proizvajalec ali materialna napaka, se bodo popravile ali popravile z zagotavljanjem rezervnih delov. Predpogoj je, da se oprema preda sestavljena in skupaj z dokazilom o prodaji in garancijo. Za garancijski zahtevek uporabite samo originalno embalažo. Tako lahko zagotovimo hitro in gladko obdelavo garancij. Prosimo, pošljite nam naprave po plačilu ali zahtevajte nalepko za Freeway. Na žalost ne bomo mogli sprejeti naprav, ki niso postpaid. Garancija ne zajema delov, ki so predmet naravne obrabe. Če želite vložiti zahtevek za garancijo, prijaviti napake ali naročiti nadomestne dele ali dodatno opremo, se obrnite na spodnji prodajni center: Pridržujemo si pravico do sprememb brez predhodnega obvestila.

MLT

GARANYIJA

Dan l-apparat huwa prodott ta 'kwalità. Kienet imfassla f'konformità mal-istandards tekniċi attwali u saret b'attenzjoni bl-użu ta 'materjali normali u ta' kwalità tajba. Il-perjodu tal-garanzija huwa ta '24 xahar għal użu mhux professjonali u 12-il xahar għall-użu professjonali u jibda fid-data tax-xiri, li jista' jiġi vverifikat bir-riċevuta, fattura jew nota tal-kunsinna. Matul dan il-perjodu ta 'garanzija l-iżbalji funzjonali kollha, li, minkejja t-trattament bir-reqq deskritt fil-manwal operattiv tagħna, huma verifikabbli minħabba difetti materjali, se jiġu kkoreġuti mill-istaff tagħna tas-servizz ta' wara l-bejgħ. Il-garanzija tiegħu l-forma li partijiet difettużi se jissewewew jew jiġu sostitwiti bi partijiet perfetti bla ħlas fid-diskreżjoni tagħna. Partijiet mibdula jsiru proprjetà tagħna. Ix-xogħol ta 'tiswija jew is-sostituzzjoni ta' partijiet individwali ma jestendux il-perjodu ta 'garanzija mhux se jirriżulta f'li jibda perjodu ġdid ta' garanzija għall-apparat. Ma jibda l-ebda perjodu ta 'garanzija separat għal spare parts li jistgħu jiġu ted. Ma nistgħu noffru garanzija għal ħsara u difetti fuq l-apparat jew il-partijiet tagħhom ikkawżati mill-użu ta 'forza eċċessiva, trattament mhux xieraq u manutenzjoni. Dan japplika wkoll għal nuqqasijiet ta 'konformità mal-manwal tat-thaddim u l-installazzjoni jew partijiet ta' rikambju u aċċessorji li mhumiex inkluzi fil-firxa ta 'prodotti tagħna. Fil-każ ta 'interferenza ma' modifiki fl-apparat minn persuni mhux awtorizzati, il-garanzija ssir nulla. Ħsarat li huma attribwiti għal immaniġġjar hażin, tagħbija żejda, jew xedd u kedd naturali huma esklużi mill-garanzija. Danni kkawżati mill-manifattur jew minn difett materjali se jiġu kkoreġuti mingħajr ħlas permezz ta 'tiswija jew billi jiġu pprovduti spare parts. Il-pre-rekwiżit huwa li t-tagħmir jiġi mġoddi immuntat, u komplet bil-prova tal-bejgħ u l-garanzija. Għal talba ta 'garanzija, uża biss l-imballaġġ originali. B'dan il-mod, nistgħu nigarantixxu proċessar ta 'garanzija malajr u bla xkiel. Jekk jogħġbok ibgħatilna l-appliances post-paid jew itlob stiker tal-Freeway. Sfortunatament ma nkunux nistgħu naċċettaw apparat li ma jithallasx wara. Il-garanzija ma tkoprix partijiet li huma soġġetti għal ilbies u kedd naturali. Jekk tixtieq tagħmel talba għall-garanzija, irrapporta ħsarat jew tordna spare parts jew aċċessorji, jekk jogħġbok ikkuntatt ja ċ-ċentru ta 'wara l-bejgħ: Soġġett għal bidla mingħajr avviż minn qabel.

SK

ZÁRUKA

Tento spotřebič je kvalitní výrobek. Bol navrhnutý v súlade s platnými technickými normami a opatrne používal bežné a kvalitné materiály. Záručná doba je 24 mesiacov na neprofesionálne použitie a 12 mesiacov na profesionálne použitie a začína plynúť dátumom nákupu, ktorý je možné overiť potvrdením, faktúrou alebo dodacím listom. Počas tejto záručnej lehoty všetky funkčné chyby, ktoré napriek starostlivej úprave popísanej v našom návode na obsluhu sú overiteľné z dôvodu materiálnych nedostatkov, opravia naši pracovníci popredajného servisu. Záruka má formu, že vadné časti budú opravené alebo nahradené perfektnými dielmi bezplatne podľa nášho uváženia. Nahradené diely sa stanú našimi vlastnosťami. Opravné práce alebo výmena jednotlivých dielov predĺženie záručnej lehoty nevedie k vzniku novej záručnej lehoty pre spotrebič. Za náhradné diely, ktoré môžu byť dodané, sa nezačína samostatná záručná lehota. Nemôžeme ponúknuť záruku na poškodenie a poškodenie spotrebičov alebo ich častí spôsobené nadmernou silou, nesprávnou obsluhou a servisom. Platí to aj pre poruchy v súlade s návodom na obsluhu a inštaláciou alebo náhradnými dielmi a príslušenstvom, ktoré nie sú súčasťou našej ponuky. V prípade zásahu do modifikácie spotrebiča neoprávnenými osobami sa záruka stane neplatnou. Škody, ktoré sú spôsobené nesprávnou manipuláciou, nadmerným zaťažením alebo prirodzeným opotrebovaním, sú z záruky vylúčené. Škody spôsobené výrobcom alebo chybou materiálu budú opravené bezplatne opravou alebo poskytnutím náhradných dielov. Predpokladom je, že zariadenie je odovzdané a kompletné s dokladom o predaji a zárukou. Pokiaľ ide o nárok na záruku, použite iba pôvodný obal. Týmto spôsobom môžeme zaručiť rýchle a plynulé spracovanie záruky. Pošlite nám, prosím, spotrebiče, ktoré ste už zaplatili, alebo požiadajte o nálepku Freeway. Bohužiaľ nebudeme môcť prijať zariadenia, ktoré nie sú vyplatené. Záruka sa nevzťahuje na časti, ktoré sú vystavené prirodzenému opotrebovaniu. Ak chcete požiadať o záruku, oznámiť chyby alebo objednať náhradné diely alebo príslušenstvo, obráťte sa na nižšie uvedené stredisko popredajného servisu: Podliehajú zmenám bez predchádzajúceho upozornenia.

BG ГАРАНЦИЯ

Този уред е качествен продукт. Той е проектиран в съответствие с действащите технически стандарти и е направен внимателно при използване на нормални, качествени материали. Гаранционният срок е 24 месеца за непрофесионално ползване и 12 месеца за професионална употреба и започва да тече от датата на покупката, която може да бъде потвърдена с квитанция, фактура или документ за доставка. По време на този гаранционен период всички функционални грешки, които, въпреки внимателното третиране, описано в нашето ръководство за експлоатация, са проверими поради материални недостатъци, ще бъдат отстранени от нашия сервизен персонал. Гаранцията приема формата, в която дефектните части ще бъдат ремонтирани или заменени с перфектни части безплатно по наше усмотрение. Подменените части ще станат наша собственост. Ремонтните работи или подмяната на отделни части няма да удължат гаранционния срок, без това да доведе до започване на нов гаранционен период за уреда. За резервни части, които могат да бъдат поставени, няма да започне отделен гаранционен срок. Не можем да предложим гаранция за повреди и дефекти на уредите или техните части, причинени от използването на прекомерна сила, неправилно третиране и обслужване. Това важи и за неспазване на ръководството за експлоатация и инсталацията, както и резервни и допълнителни части, които не са включени в нашата гама от продукти. В случай на намеса в модификации на уреда от неупълномощени лица, гаранцията ще бъде премахната. Щети, които се дължат на неправилно боравене, натоварване или естествено износване, са изключени от гаранцията. Щети, причинени от производителя или от дефект на материала, ще бъдат поправени без заплащане чрез ремонт или чрез предоставяне на резервни части. Предпоставка е оборудването да се съблява и да се допълни с доказателство за продажба и гаранция. За гаранционна претенция използвайте само оригиналната опаковка. По този начин можем да гарантираме бърза и гладка обработка на гаранциите. Моля, изпратете ни уредите след плащане или заявете стикер на Freeway. За съжаление няма да можем да приемаме уреди, които не са с абонамент. Гаранцията не покрива части, които са обект на естествено износване. Ако желаете да направите гаранционна претенция, да съобщите за неизправности или да поръчате резервни части или аксесоари, моля свържете се с центъра за поддръжка: Подлежи на промяна без предизвестие.

RO GARANȚIE

Acest aparat este un produs de calitate. A fost proiectat în conformitate cu standardele tehnice actuale și a făcut cu atenție materiale normale, de bună calitate. Perioada de garanție este de 24 de luni pentru uz neprofesionist și de 12 luni pentru uz profesional și începe la data cumpărării, care poate fi verificată prin chitanță, factură sau buletin de livrare. În timpul acestei perioade de garanție, toate erorile funcționale, care, în ciuda tratamentului atent descris în manualul nostru de utilizare, sunt verifiabile din cauza defectelor materiale, vor fi rectificate -cate de personalul nostru de service post-vânzare. Garanția ia forma faptului că piesele defecte vor fi reparate sau înlocuite cu piese perfecte gratuit, la discreția noastră. Piesele înlocuite vor deveni proprietatea noastră. Lucrările de reparații sau înlocuirea pieselor individuale nu vor prelunge perioada de garanție, deoarece nu vor duce la începerea unei noi perioade de garanție pentru aparat. Nu se va începe nici o perioadă de garanție separată pentru piesele de schimb care pot fi incluse. Nu putem oferi o garanție pentru defecțiunile și defectele aparatelor sau ale pieselor acestora cauzate de utilizarea forței excesive, tratarea necorespunzătoare și întreținerea. Acest lucru se aplică și în caz de nerespectare a manualului de utilizare și a pieselor de instalare sau de rezervă și accesoriilor care nu sunt incluse în gama noastră de produse. În caz de interferență cu modifiările carele aduse aparatului de către persoane neautorizate, garanția va fi anulată. Daunele care pot fi atribuite manipulării necorespunzătoare, supraîncălzirii sau uzurii naturale sunt excluse din garanție. Deteriorările cauzate de producător sau de un defect material vor fi corectate gratuit, prin reparații sau prin furnizarea de piese de schimb. Condiția prealabilă este ca echipamentul să fi predat în asamblare și să fi completat cu dovada vânzării și a garanției. Pentru o cerere de garanție, utilizați numai ambalajul original. În acest fel, putem garanta procesarea rapidă și fără probleme a garanției. Trimiteți-ne aparatele post-plăți te sau solicitați un autocolant Freeway. Din păcate, nu vom putea accepta dispozitive care nu sunt plătite te postpaid. Garanția nu acoperă piese care sunt supuse uzurii naturale. Dacă doriți să solicitați o garanție, să semnalați defecțiuni sau să comandați piese de schimb sau accesorii, vă rugăm să contactați centrul de asistență tehnică: Pot fi modificate fără o notificare prealabilă.

NMK GARANCIA

Oвој уред е квалитетен производ. Дизајниран е во согласност со тековните технички стандарди и направен е внимателно со употреба на нормални, квалитетни материјали. Гарантниот период е 24 месеци за непрофесионална употреба и 12 месеци за професионална употреба и започнува на датумот на купување, што може да се потврди со потврда, фактура или испратница. За време на овој гарантен период, сите функционални грешки, кои, и покрај внимателниот третман опишан во нашето упатство за работа, се проверливи поради материјални недостатоци, ќе бидат поправени од нашиот персонал по продажбата. Гаранцијата има форма дека неисправните делови ќе бидат поправени или заменети со совршени делови бесплатно по наша дискреција. Заменетите делови ќе станат наша сопственост. Работата за поправка или замената на поединечни делови нема да го продолжи гарантниот период и нема да резултира со започнување на нов гарантен период за апаратот. Нема да започне посебен гарантен период за резервните делови што може да се тераат. Не можеме да понудиме гаранција за оштетувања и дефекти на апаратите или нивните делови предизвикани од употреба на прекумерна сила, несоодветен третман и сервисирање. Ова исто така важи и за неусогласеност со упатството за работа и инсталацијата или резервните и дополнителните делови кои не се вклучени во нашата палета на производи. Во случај на мешање на модификации на апаратот од страна на неовластени лица, гаранцијата ќе се поништи. Штетите што се припишуваат на неправилно ракување, прекумерно оптоварување или природно абеење се исклучени од гаранцијата. Штетите предизвикани од производителот или од материјален дефект ќе се коригираат безплатно со поправка или со обезбедување резервни делови. Предуслов е опремата да биде предадена склопена, и комплетна со доказ за продажба и гаранција. За гаранција, користете го само оригиналното пакување. На тој начин, можеме да гарантираме брза и непречена обработка на гаранциите. Ве молиме испратете ни ги апаратите пост-пејд или побарајте налепница за автопат. За жал, нема да можеме да прифатиме апарати што не се постпејд. Гаранцијата не опфаќа делови кои се предмет на природно абеење и кинење. Доколку сакате да поднесете барање за гаранција, да пријавите дефекти или да нарачате резервни делови или додатоци, ве молиме контактирајте го постпродажниот центар: Може да се промени без претходна најава.

HUN GARANCIA

Ez a készülék minőségi termék. Úgy tervezték, hogy megfeleljen a jelenlegi műszaki szabványoknak, és gondosan, normál, jó minőségű anyagokkal készült. A jótállási idő nem professzionális használat esetén 24 hónap, szakmai használat esetén 12 hónap, és a vásárlás napján kezdődik, amelyet a kézszévtel, a számla vagy a kézbesítési értesítés igazolhat. A garanciaidő alatt minden olyan funkcionális hiba, amely az üzemeltetési utasításunkban leírt gondos kezelés ellenére bizonyíthatóan az anyagi hibák miatt következik be, a vevőszolgálatunk javítja. A garancia olyan formája, hogy a hibás alkatrészek javítása vagy cseréje a tökéletes alkatrészekkel ingyenes. A cserélt részek tulajdonunk lesz. A javítási munkák vagy az egyes részek cseréje nem hosszabbítja meg a jótállási időszakot, és nem eredményez új garanciaidő megkezdését a készülék számára. Nincs külön garanciaidő a pótalkatrészek esetén. Nem nyújtunk garanciát a készülékek vagy alkatrészeik károsodására és hibáira a túlzott erő, a helytelen kezelés és a karbantartás miatt. Ez vonatkozik az üzemeltetési utasítás és a telepítés, illetve a tartalék és tartozék alkatrészeinek meg nem felelésére is, amelyek nem tartoznak a termékínálatunkba. Abban az esetben, ha a készülék jogosulatlan személy általi módosításai zavarnak, a garancia érvényét veszti. A nem megfelelő kezelés, a terhelés vagy a természetes kopás okozta károk nem tartoznak a garancia hatálya alá. A gyártó vagy az anyaghiba által okozott károkat a javítás vagy a pótalkatrészek beszerzése nélkül kijavítják. Az előfeltétel az, hogy a berendezést összeszerelték, és az értékesítés és a garancia igazolásával kiegészüljön. A garancia igényléséhez csak az eredeti csomagolást használja. Így garantálhatjuk a gyors és zökkenőmentes garanciafeldolgozást. Kérjük, küldje el nekünk a készüléket utólag fizetett vagy kérjen Freeway matricát. Sajnos nem tudjuk elfogadni a nem utólag fizetett készülékeket. A garancia nem terjed ki a természetes kopásnak kitett alkatrészekre. Ha garanciális igényt kíván nyújtani, hibákat jelenteni vagy pótalkatrészeket vagy tartozékokat rendelni, kérjük, vegye fel a kapcsolatot az alábbi értékesítési központtal: Előzetes értesítés nélkül változhat.

POL GWARANCJA

To urządzenie jest produktem wysokiej jakości. Został zaprojektowany zgodnie z aktualnymi standardami technicznymi i wykonany starannie przy użyciu zwykłych, dobrej jakości materiałów. Okres gwarancji wynosi 24 miesiące w przypadku użytku nieprofesjonalnego i 12 miesięcy w przypadku użytku profesjonalnego i rozpoczyna się w dniu zakupu, który można zweryfikować za pomocą paragonu, faktury lub dowodu dostawy. W okresie gwarancji wszystkie błędy funkcjonalne, które pomimo starannego traktowania opisanego w naszej instrukcji obsługi, są weryfikowalne przez wady materiałowe, zostaną naprawione przez nasz personel obsługi posprzedażnej. Gwarancja ma formę, w której wadliwe części zostaną naprawione lub wymienione na części zamiennie bezpłatnie według naszego uznania. Wymienione części staną się naszą własnością. Naprawa lub wymiana pojedynczych części nie przedłuży okresu gwarancji, nie spowoduje to rozpoczęcia nowego okresu gwarancyjnego dla urządzenia. Nie rozpocznie się oddzielny okres gwarancji na części zamiennie, które mogą być używane. Nie możemy zaoferować gwarancji na uszkodzenia i usterki urządzeń lub ich części spowodowane użyciem nadmiernej siły, niewłaściwego traktowania i serwisowania. Dotyczy to również nieprzestrzegania instrukcji obsługi i instalacji lub części zamiennych i akcesoriów, które nie są zawarte w naszej ofercie produktów. W przypadku ingerencji w modyfikacje urządzenia przez osoby nieuprawnione, gwarancja zostanie unieważniona. Szkody, które można przypisać niewłaściwej obsłudze, nadmiernemu obciążeniu lub naturalnemu zużyciu, są wyłączone z gwarancji. Uszkodzenia spowodowane przez producenta lub wadę materiałową zostaną naprawione bezpłatnie przez naprawę lub przez dostarczenie części zamiennych. Warunkiem wstępnym jest przekazanie sprzętu w komplecie wraz z dowodem sprzedaży i gwarancją. W przypadku reklamacji należy używać tylko oryginalnego opakowania. W ten sposób możemy zagwarantować szybkie i płynne przetwarzanie gwarancji. Prześlij nam urządzenia post-paid lub zamów naklejkę na autostradę. Niestety nie będziemy mogli akceptować urządzeń, które nie są opłacane z dołu. Gwarancja nie obejmuje części ulegających naturalnemu zużyciu. Jeśli chcesz zgłosić roszczenie gwarancyjne, zgłośić usterki lub zamówić części zamiennie lub akcesoria, skontaktuj się z następującym centrum obsługi posprzedażnej: Zastrzega się możliwość zmian bez uprzedzenia.

ALB GARANCIA

Kjo pajisje është një produkt cilësor. Washtë hartuar në përputhje me standardet aktuale teknike dhe është bërë me kujdes duke përdorur materiale normale, me cilësi të mirë. Periudha e garancisë është 24 muaj për përdorim jo profesional dhe 12 muaj për përdorim profesional dhe fillon në datën e blerjes, e cila mund të vërtetohet me faturën, faturën ose dorëzimin. Gjatë kësaj periudhe garancie, të gjitha gabimet funksionale, të cilat, përkundër trajtimit të kujdesshëm të përkthuesit në manualin tonë të funksionimit, janë verifikueshëm për shkak të metave të materialit, do të korrigjohen nga stafi ynë i shërbimit pas shitjes. Garancia merr formën që pjesët e dëmtuara do të riparohen ose zëvendësohen me pjesët e përsosura falas, sipas gjykimit tonë. Pjesët e zëvendësuara do të bëhen pronë jonë. Puna e riparimit ose zëvendësimit i pjesëve individuale nuk do të zgjasë periudhën e garancisë, por nuk do të rezultojë në fillimin e një periudhe të re garancie për pajisjen. Asnjë periudhë e veçantë e garancisë nuk do të fillojë për pjesët rezervë që mund të merren. Ne nuk mund të ofrojmë një garanci për dëmtimin dhe defektet e pajisjeve ose pjesëve të tyre të shkaktuara nga përdorimi i forcës së tepërt, trajtimi dhe shërbimi i pahijshëm. Kjo gjithashtu vlen për dështimet në përputhje me manualin e funksionimit dhe instalimin ose pjesët rezervë dhe akcesorë që nuk përfshihen në gamën tonë të produkteve. Në rast ndërhyrjeje në modifikimet e pajisjes nga persona të paautorizuar, garancia do të hiqet. Dëmet që mund t'i atribuohen trajtimit të pahijshëm, ngarkimit të tepërt, ose konsumit natyror, përjashtohen nga garancia. Dëmet e shkaktuara nga prodhuesi ose nga një defekt i materialit do të korrigjohen pa pagesë me riparim ose duke siguruar pjesë këmbimi. Parakushti është që pajisjet të dorëzohen të montuara, dhe të kompletuara me provën e shitjes dhe garancisë. Për një kërkesë garancie, përdorni vetëm paketimin origjinal. Në atë mënyrë, ne mund të garantojmë përpunim të shpejtë dhe të qetë të garancisë. Ju lutemi na dërgoni pajisjet me postë të paguar ose kërkoni një afishe autostradë. Për fat të keq, ne nuk do të jemi në gjendje të pranohim pajisje që nuk janë me kontratë. Garancia nuk përfshin pjesë që i nënshtrohen konsumit natyror. Nëse dëshironi të bëni një kërkesë për garanci, të raportoni gabime ose të porosisni pjesë rezervë ose pajisje, ju lutemi kontaktoni qendrën pas shitjes: Subjekti për të ndryshuar pa njëfjalë im paraprak.

HR JAMSTVO

Ovaj je uređaj kvalitetan proizvod. Dizajniran je u skladu s trenutnim tehničkim standardima i izrađen je pažljivo koristeći normalne, kvalitetne materijale. Garancijsko razdoblje je 24 mjeseca za neprofesionalnu upotrebu i 12 mjeseci za profesionalnu uporabu i započinje datumom kupnje, što se može potvrditi potvrdom primitka, računa ili dostavnice. Tijekom ovog jamstvenog razdoblja sve će funkcionalne pogreške, koje su unatoč pažljivom postupanju opisanom u našem priručniku za upotrebu provjerljivo zbog materijalnih nedostataka, otkloniti od strane našeg servisnog osoblja. Jamstvo ima oblik da će se oštećeni dijelovi besplatno popraviti ili zamijeniti savršenim dijelovima, po našem nahođenju. Zamijenjeni dijelovi postat će naše vlasništvo. Popravak ili zamjena pojedinih dijelova neće produžiti jamstveno razdoblje, jer neće rezultirati novim jamstvenim rokom za uređaj. Neće započeti zasebni jamstveni rok za rezervne dijelove koji se mogu trošiti. Ne možemo pružiti jamstvo za oštećenja i oštećenja uređaja ili njihovih dijelova uzrokovanih prekomjernom silom, nepravilnim postupanjem i servisiranjem. To se također odnosi i na neusklađivanje s uputama za uporabu i instalacijskim ili rezervnim i pomoćnim dijelovima koji nisu uključeni u naš asortiman proizvoda. U slučaju ometanja neovlaštenih osoba na izmjenama uređaja, jamstvo će se poništiti. Oštećenja koja se mogu pripisati nepravilnom rukovanju, preopterećenju ili prirodnom habanju isključena su iz jamstva. Štete uzrokovane proizvođačem ili oštećenjem materijala ispravit će se besplatnim popravkom ili osiguravanjem rezervnih dijelova. Predviđet je da se oprema preda u sastavu, zajedno s dokazom o prodaji i garancijom. Za garancijski zahtjev koristite samo originalno pakiranje. Na taj način možemo jamčiti brzu i glatku obradu jamstava. Pošaljite nam uređaje naknadno ili zatražite naljepnicu autoputa. Nažalost, nećemo biti u mogućnosti prihvatiti uređaje koji nisu pretplaćeni. Jamstvo ne obuhvaća dijelove koji su podložni prirodnom habanju. Ako želite podnijeti zahtjev za jamstvom, prijaviti kvarove ili naručiti rezervne dijelove ili pribor, molimo kontakti rajte dolje prodajni centar: Podložno promjenama bez prethodne najave.

SRB ГАРАНЦИЈА

Ovaj aparat je kvalitetan proizvod. Dizajniran je u skladu sa trenutnim tehničkim standardima i rađen pažljivo koristeći normalne, kvalitetne materijale. Garantni rok je 24 meseca. Garantni rok je 24 meseca za neprofesionalno korišćenje i 12 meseci za profesionalnu upotrebu i započinje danom kupovine, što se može verifikovati primaњem, fakturom ili otpremnicom. Tokom ovog garantnog perioda, sve funkcionalne greške koje se, uprkos pažljivom postupanju opisanom u našem uputstvu za upotrebu, verovatno mogu proveriti zbog materijalnih nedostataka, otkloniће od strane нашег сервисног особља. Гаранција добија облик да ће се неисправни делови поправити или заменити савршеним деловима бесплатно по нашем нахођењу. Замењени делови постаће наше власништво. Поправци или замена појединих делова неће продужити гарантни рок јер неће резултирати новим гаранцијским роком за апарат. Неће почети посебан гарантни рок за резервне делове који се могу напунити. Не можемо пружити гаранцију за оштећења и оштећења уређаја или њихових делова насталих прекомерном силом, неправилним третманом и сервисирањем. Ово се такође односи и на непоштовање упутства за употребу и инсталационих или резервних и помоћних делова који нису обухваћени нашим асортиманом производа. У случају ометања модификација уређаја од стране неовлашћених особа, гаранција ће се поништити. Оштећења која се могу приписати неправилном руковању, преоптерећењу или природном хабању су искључена из гаранције. Оштећења настала од стране произвођача или оштећења материјала исправљаће се или поправљањем резервних делова бесплатно. Предуслов је да се опрема преда у саставу, заједно са доказом о продаји и гаранцијом. За захтев о гаранцији користите само оригинално паковање. На тај начин можемо гарантовати брзу и глатку обраду гаранција. Пошаљите нам уређаје накнадно или затражите налепницу са аутопута. Нажалост, нећемо бити у могућности да прихватимо уређаје који нису плаћени. Гаранција не покрива делове који су изложени природном хабању. Ако желите да поднесете захтев за гаранцијом, пријавите грешке или наручите резервне делове или додатну опрему, молимо контактирајте доњи продајни центар: Могу се променити без претходне најаве.

