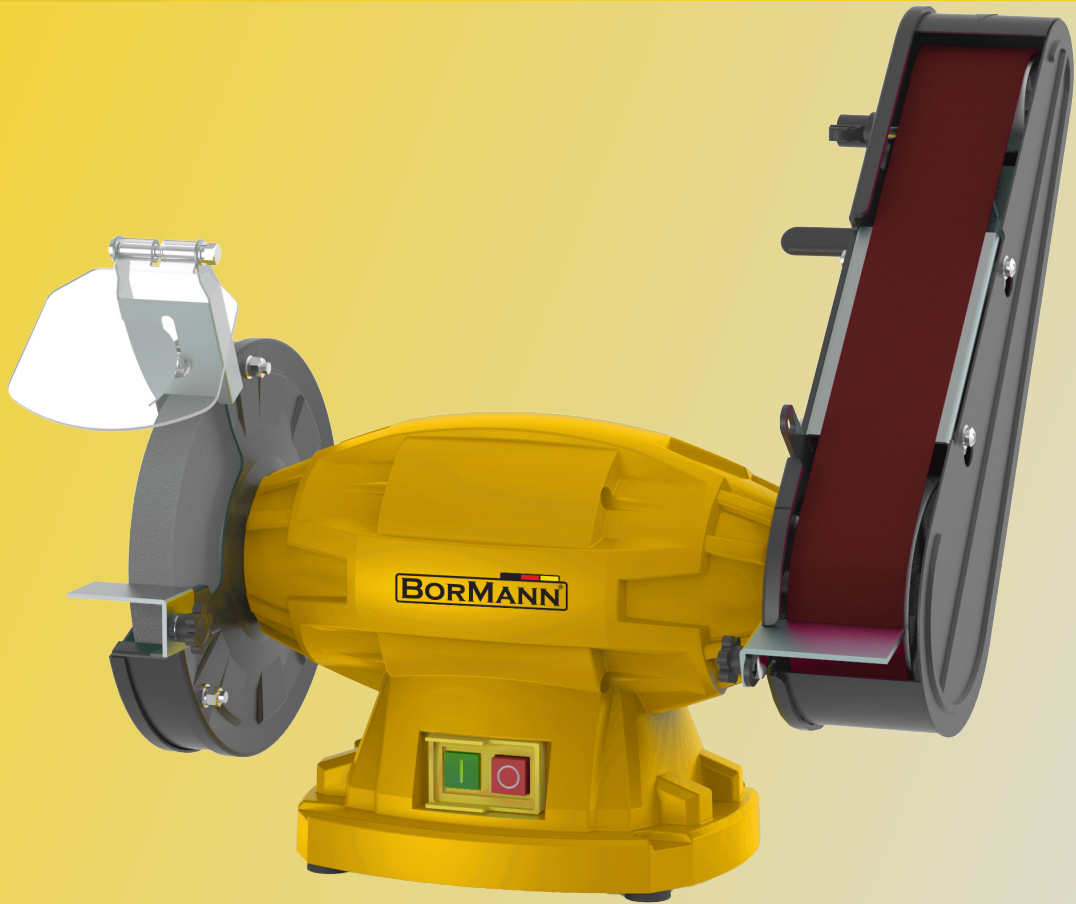


# BORMANN®



## BDT1520

053859

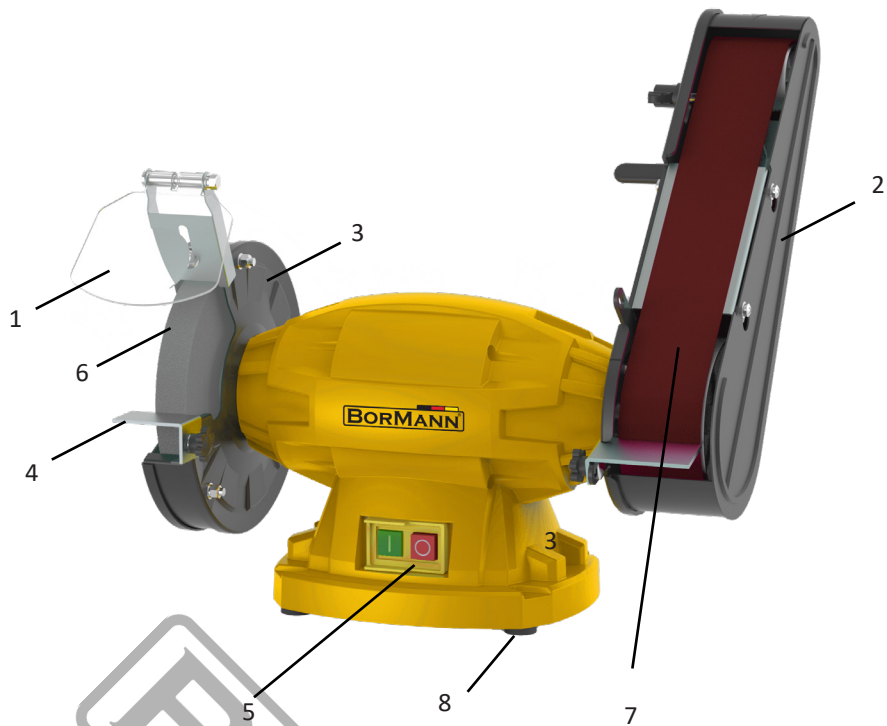


v2.2



[WWW.NIKOLAOUTOOLS.GR](http://WWW.NIKOLAOUTOOLS.GR)

**2 YEARS**  
WARRANTY



TECHNICAL DATA - ΤΕΧΝΙΚΑ ΧΑΡΑΚΤΗΡΙΣΤΙΚΑ	
Model - Μοντέλο	BDT1520
Motor - Κινητήρας	Induction - Επαγωγικός
Power - Ισχύς	250 W S1 continuous/συνεχής - 350 W S6 10% intermittent/μη συνεχής
Wheel Size - Διάμετρος Τροχού	150 x 20 x 12,7 (mm)
Voltage - Τάση	230 Volt
Frequency - Συχνότητα	50 Hz
Rotational Speed - Περιστρ. Ταχύτητα	2980 RPM
Accessories - Παρελκόμενα	Belt - Ταινία (50 x 686 mm)

1	Safety eyeshield	Προστασία Ματιών
2	Protection Cover	Προστατευτικό κάλυμμα
3	Guard	Προφυλακτήρας
4	Tool rest/work rest	Θέση εργαλείων/εργασίας
5	ON/OFF switch	Διακόπτης ON/OFF
6	Wheel	Τροχός
7	Belt	Ταινία
8	Support Orifice	Οπή στήριξης

Fig. D - Εικ. D

a	Axis	Άξονας
b	Flange	Φλάντζα
c	Nut	Περικόχλιο
d	Screw	Βίδα
e	Wheel guard	Διακόπτης ON/OFF

\* The manufacturer reserves the right to make minor changes to product design and technical specifications without prior notice unless these changes significantly affect the performance and safety of the products. The parts described / illustrated in the pages of the manual that you hold in your hands may also concern other models of the manufacturer's product line with similar features and may not be included in the product you just acquired.

\* To ensure the safety and reliability of the product and the warranty validity, all repair, inspection, repair or replacement work, including maintenance and special adjustments, must only be carried out by technicians of the authorized service department of the manufacturer.

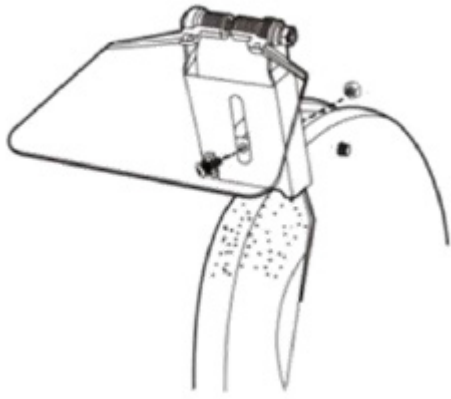
\* Always use the product with the supplied equipment. Operation of the product with non-provided equipment may cause malfunctions or even serious injury or death. The manufacturer and the importer shall not be liable for injuries and damages resulting from the use of non-conforming equipment.

\* Ο κατασκευαστής διατηρεί το δικαίωμα να πραγματοποιήσει δευτερεύουσες αλλαγές στο σχεδιασμό του προϊόντος και στα τεχνικά χαρακτηριστικά χωρίς προηγούμενη ειδοποίηση, εκτός εάν οι αλλαγές αυτές επηρεάζουν σημαντικά την απόδοση και λειτουργία ασφάλειας των προϊόντων. Τα εξαρτήματα που περιγράφονται/απεικονίζονται στις σελίδες του εγχειριδίου που κρατάτε στα χέρια σας ενδέχεται να αφορούν και σε άλλα μοντέλα της σειράς προϊόντων του κατασκευαστή, με παρόμοια χαρακτηριστικά, και ενδέχεται να μην περιλαμβάνονται στο προϊόν που μόλις αποκτήσατε.

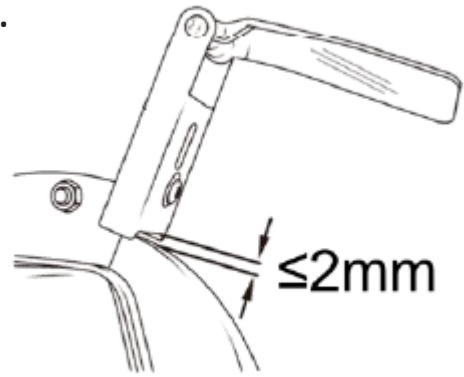
\* Για να διασφαλιστεί η ασφάλεια και η αξιοπιστία του προϊόντος καθώς και η ισχύς της εγγύησης όλες οι εργασίες επιδιόρθωσης, ελέγχου, επισκευής ή αντικατάστασης συμπεριλαμβανομένης της συντήρησης και των ειδικών ρυθμίσεων, πρέπει να εκτελούνται μόνο από τεχνικούς του εξουσιοδοτημένου τμήματος Service του κατασκευαστή.

\* Χρησιμοποιείτε πάντα το προϊόν με τον παρεχόμενο εξοπλισμό. Η λειτουργία του προϊόντος με μη-προβλεπόμενο εξοπλισμό ενδέχεται να προκαλέσει βλάβη ή ακόμα και σοβαρό τραυματισμό ή θάνατο. Ο κατασκευαστής και ο εισαγωγέας ουδεμία ευθύνη φέρει για τραυματισμούς και βλάβες που προκύπτουν από την χρήση μη προβλεπόμενου εξοπλισμού.

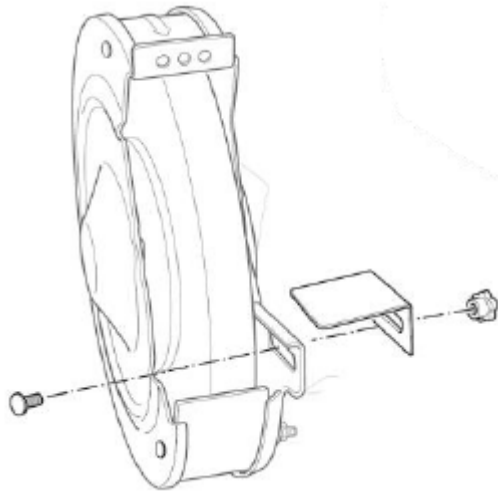
A.



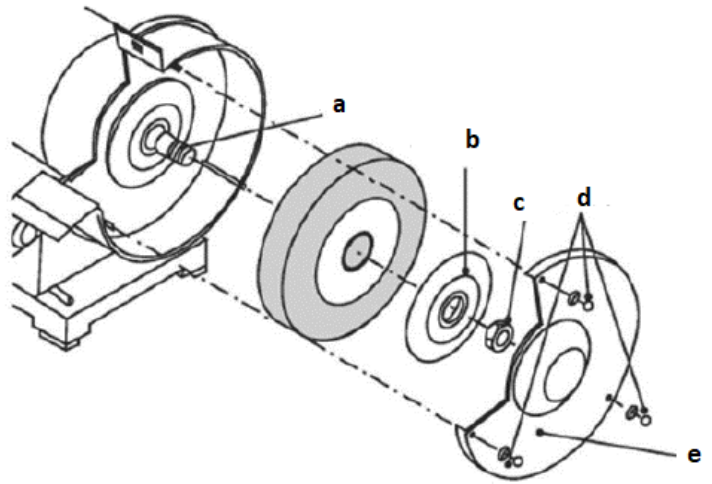
B.



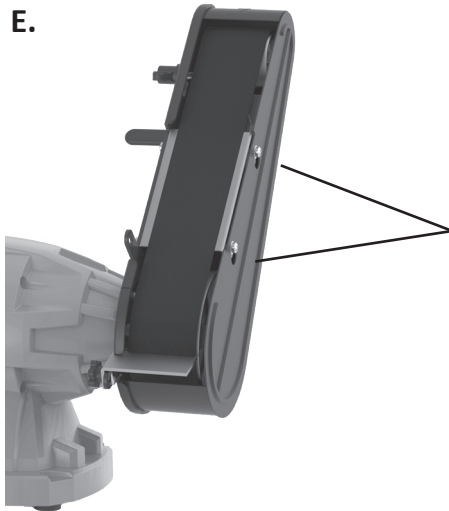
C.



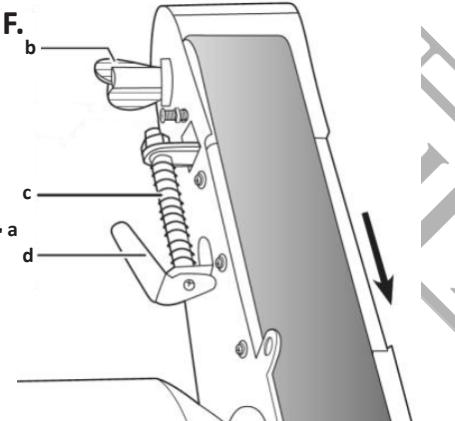
D.



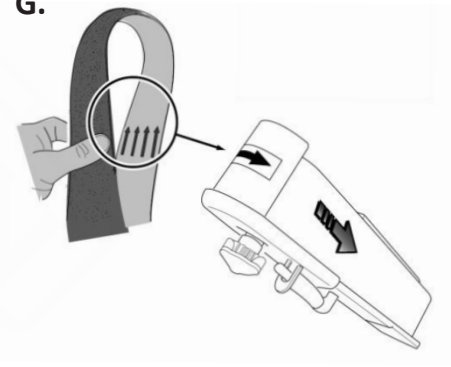
E.



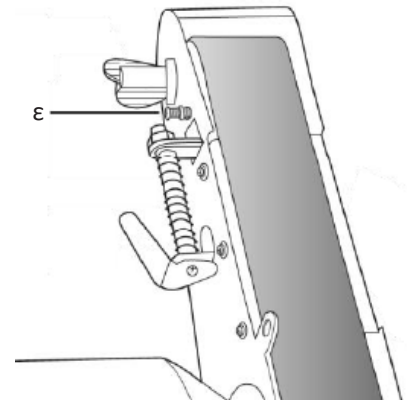
F.



G.



H.



## SAFETY INSTRUCTIONS

**DANGER!** Failure to follow any of the following instructions could result in serious personal injury to tool users and bystanders or damage to the tool and property!

**WARNING** - Read, understand and follow all instructions in this manual before using or operating the tool for which it was written and provided. Make sure that anyone who is going to use the tool has read and understands the instructions provided.

- Always wear eye protection that conforms to a recognized standard (CSA or ANSI).
- Wear a mask or respirator when dust is generated.
- Keep bystanders out of the work area when operating the tool.
- **WARNING!** Always ensure that the work area is free of flammable materials, liquids or gases, as use of this tool may create sparks.
- Tighten the grinding wheel nuts, secure the screws and all clamps and guards.
- During each start-up, stand on one side of the twin wheel and activate it by pressing the "ON" button. Allow the twin wheel to run at full speed for approximately one minute to allow any undetected defects or cracks to appear.
- Keep the bumper(s) in place with proper operation.
- Keep your hands away from the grinding wheel(s).
- Never touch the back or bottom of the grinding wheels.
- Disconnect the tool from the power supply before any adjustment or maintenance. The grinding wheels continue to rotate after the tool is switched off. Always allow the wheels to come to a complete stop before any adjustment or maintenance.
- To avoid electric shock **DO NOT** use the tool in wet conditions and do not expose it to rain.
- When installing a new grinding wheel, always check that the maximum RPM listed meets or exceeds that listed on the grinder. Also check the new wheel for damage such as imperfections or cracks. If the wheel appears to be in satisfactory condition, fit it to the grinder.
- When a new grinding wheel has been fitted, stand on one side of the tool and press "ON". Allow the tool to run at full speed for approximately one minute to allow any undetected imperfections or cracks to appear.
- Only use accessories recommended by the manufacturer for the model in question.
- **DO NOT** attempt to cut anything with the grinding wheel.
- Grounded tools must be plugged into an outlet that is properly installed and grounded in accordance with all local codes and regulations. Never remove the grounding and do not modify it in any way. Do not use adapter plugs (adapters). If there is any doubt as to whether the outlet is properly grounded, consult a qualified electrician.
- Do not use the tool when you are tired or under the influence of alcohol or drugs.
- Do not wear loose clothing or jewelry. Keep your hair tied up.
- Make sure the power switch is turned off before connecting the tool.
- **WARNING!** Replace the grinding wheel(s) immediately if they become cracked.
- Do not overtighten the shaft nuts.
- Service on these tools should only be performed by authorized and qualified technical personnel.

### PREPARATION

#### Before you start - Safety information

- Always use eye protection conforming to a recognized standard (for example: ANSI Z87.1) - (CSA or ANSI).
- Always wear a mask or respirator when dust is generated.
- Keep bystanders out of the work area when operating the tool.
- **WARNING!** Always ensure that the work area is free of flammable materials, liquids or gases, as use of this tool may create sparks.
- Do not wear loose clothing or jewellery. Keep your hair tied up.
- **WARNING!** Immediately replace the grinding wheel(s) which are cracked. Do not overtighten the shaft nuts.
- **NEVER** grind with the side of the wheel. Grinding should only take place with the front part of the wheel.
- **NEVER** apply pressure to the workpiece when the grinding wheel is cold. The wheel should be heated by applying the workpiece gradually.
- **NEVER** use the grinding machine without the wheel guards. Keep thumbs and fingers away from the wheel.

#### Before you start - Protection against electricity

In the event of a malfunction or short circuit, grounding provides the path of least resistance for electricity and reduces the risk of electric shock to the operator. This tool is equipped with an electrical cord that has an equipment grounding conductor and a grounding plug. The plug **MUST** be plugged into an outlet that is properly installed and grounded in accordance with ALL local codes and regulations.

**DO NOT MODIFY THE SUPPLIED PLUG.** If it does not fit in the outlet, install the appropriate outlet with the assistance of an electrician.

Improper connection of the equipment grounding conductor may result in an increased risk of electrical shock. The conductor with green insulation (with or without yellow strips) is the equipment grounding conductor. If it is necessary to repair or replace the electrical cord or plug, **DO NOT** connect the equipment grounding conductor to a current-carrying terminal.

**CHECK** with a qualified electrician or service personnel if you do not fully understand the grounding instructions, or if you are unsure if the equipment is properly grounded.

## EXTENSION CABLE USE

Use only 3-conductor extension cords with 3-pin plugs and 3-socket outlets that accept the tool's plug. Repair or replace damaged or worn cables immediately. Ensure that the extension cord is properly connected and in good condition. Do not use damaged extension cords. Always replace an extension cord that is damaged. When using an extension cord, make sure that it is sufficient to carry the current that the tool will draw. An undersized cable will cause a voltage drop in the line, resulting in power loss and overheating. Before connecting the motor to the power line, make sure the switch is in the OFF position and that the current is rated with the current on the motor nameplate. Operating at a lower voltage will damage the motor and is not covered under warranty.

## UNPACKAGING

1. Unpack all the contents of the package and place them on a flat and stable surface.
2. Remove all packing materials and transport devices (if any).
3. Ensure that all contents of the package are complete and free from damage. If any component is missing or if any component has been damaged during shipment, contact your local dealer. Use of a damaged or incomplete product poses a risk of injury and property damage.
4. Ensure that you have all parts and tools required for assembly and operation. This includes appropriate personal protective equipment.

## BENCH GRINDER PREPARATION

Bench Grinder fixing.

**WARNING:** Do not use the bench grinder unless it has first been securely installed on a suitable workbench.

Place the machine on a stable and level workbench or tool stand and ensure that it is properly secured. The front of the machine should be easily accessible after it has been fixed. The power supply should be located at a maximum distance of 100 - 150 cm from the machine's fixing point.

Assembly of the protective glass eyeshield.

**WARNING:** Never use the bench grinder unless the protective glass has first been installed.

1. Align the slot of the protective glass arm with the slot located in the upper part of the bench grinder guard and proceed to attach using a screw and nut.
2. Ensure that the gap between the protective glass arm and the wheel is not more than 2 mm (Fig. A, B).

Assembly of the machining workpiece support surface.

The workpiece support surface shall be installed such that the gap between the wheel and the support surface does not exceed 2 mm.

1. Place the workpiece support surface against the rail of the wheel guard. Ensure that the support surface is "facing" in the correct direction. The curved corner should "face" away from the wheel.
2. Pass the screw through the slot in the rail and the mounting surface.
3. Place the groove and washer on the end of the screw on the other side.
4. Secure the screw using the knob (Fig. C)

Left wheel installation

**WARNING:** Before performing any wheel installation or replacement work, make sure the machine is turned off and disconnected from the power supply.

1. Remove the screws from the wheel guard and then pull it out.
2. Remove the nut from the axle using a suitable wrench. The nut on the right axle has a clockwise thread, while the nut on the left axle has a counterclockwise thread.
3. Remove the outer gasket from the shaft.
4. Place the wheel onto the shaft and once seated in position, rotate the wheel by hand to confirm that the wheel moves freely and does not contact any surface.
5. Reinstall the gasket, nut and bumper.
6. Connect the machine to the power supply, turn the machine on and allow the wheel to rotate unloaded for one minute at maximum speed to ensure that there are no cracks. (Fig. D)

**WARNING:** Before you can loosen/tighten the shaft nut, hold the shaft steady using a second wrench on the belt nut.

## Belt Installation/Replacement

**WARNING:** Before performing any belt installation or replacement work, make sure the machine is switched off and disconnected from the power supply.

1. Unscrew the 2 screws (a) on the side of the tape guard and remove the tape guard (see Figure E).
2. Loosen the retaining screw (b) of the tape roller (see Figure F).
3. Push the belt tension lever (d) down to loosen the spring tension (c) and remove the belt (Figure F,G).
4. Slide the new belt over the two rollers, making sure that it is evenly applied across its width. Make sure the arrow on the inside of the tape points in the direction the belt will move (see Figure G).
5. Push the top roller up and while holding it there, push the belt tension lever up.
6. Re-tighten the tape roller retaining screw.
7. Adjust the tape path as described in the next sub-section.
8. Reinstall the belt guard and secure it by reinstalling the 2 screws on the side of the guard.

### Belt Path Adjustment

**WARNING:**

- If the belt path is set incorrectly, damage to the machine and the belt can occur.
- Do not operate the machine if the tape is not properly adjusted.
- Do not operate the machine if the belt is not working properly. In some cases, it may take several attempts to adjust the belt. It may be necessary to reposition the belt on the rollers and repeat the adjustment process until the belt is placed properly.

1. Rotate the belt by hand and check that the belt passes through the centre of both rollers.
2. Adjust the belt path by turning the belt path adjustment screw (ε) (Fig. H). By turning the tape path adjustment screw clockwise, the path is adjusted to the left. Turning the tape path adjustment screw counterclockwise adjusts the path to the right.

## OPERATION

### CONNECTION TO POWER SUPPLY

**WARNING:** Check the voltage. The voltage of the power supply must match the voltage requirements of the tool as listed on the tool's rating label.

**WARNING:** Before connecting the machine to the power supply, make sure the ON/OFF switch is in the off position.

Connect the machine to a properly grounded 230 V ~ 50 Hz power supply whose socket is compatible with the machine's plug.

### SWITCHING ON/OFF

Before connecting the machine to the power supply, rotate the wheel and belt by hand to ensure that they rotate freely.

- To turn the machine on, set the ON/OFF switch to the 'I' position.
- To turn the machine off, set the ON/OFF switch to the 'O' position.

**Important Note:** Two options of operation can be selected: 250 W S1 continuous / 350 W S6 10 %. Operating mode S6 10% is equivalent to continuous duty with intermittent loading. In order to avoid impermissible overheating of the motor, the motor should be driven for only 10% of the operating time with the stipulated nominal power.

## GENERAL INSTRUCTIONS

1. Before each use, check the wheel and belt and make sure they are not damaged.
2. After turning the machine on, wait until it reaches its maximum speed before starting your work.
3. The safety glass is adjustable and should be positioned to provide the operator with a clear field of vision through it.
4. Hold the workpiece against the support surface and feed it smoothly and evenly into the wheel.
5. Proper adjustment of the workpiece support surfaces will provide the correct working angle for efficient grinding. As the diameter of the wheel is subject to wear, you will need to readjust the position of the support surface.

Secure the bench grinder to a horizontal, stable surface before using it. Positioning the bench grinder towards the forward end of the bench will make it easier to handle long tools.

If possible, allow sufficient space on the left side of the machine to allow easy access to the wheel.

An alternative method is to fix the machine to a sheet of plywood, which could then be held in place by suitable means on a bench or table to give the bench grinder the most convenient position; before using the machine, ensure that the protective glass is positioned as close to the wheel surface as possible to prevent sparks from evading.

It is a sensible precaution to use safety glasses when using the bench grinder. The machine can be used to grind profiles or virtually any cutting tool, chisels, drills, etc. However, care should be taken not to grind a tool too hard or for too long to avoid overheating.



## MAINTENANCE & CLEANING

**WARNING:** Before performing any maintenance, cleaning or repair work on the machine, turn off the machine, disconnect it from the power supply and wait a few minutes for it to cool down.

**WARNING:** Carry out only the maintenance and repair work specified in this manual. Any other work should be carried out by an authorised technical support centre.

1. Keep the machine clean. Remove any debris from it after each use and before storing it.
2. Regular and proper cleaning will help ensure safety and extend the life of the machine.
3. Inspect the machine before each use for worn and damaged parts. Do not operate the machine if you find any broken or worn component.
4. Clean the machine using a dry cloth. Use a brush for areas where access is not easy. Avoid using solvents when cleaning plastic parts. Most plastic parts are susceptible to damage from the use of solvents.
5. Check for worn or damaged parts. Replace worn parts if necessary or contact an authorized technical support center to perform the necessary repair work.
6. All machine bearings have been adequately lubricated for the life of the machine under normal operating conditions and therefore no further lubrication is required.
7. If the power cable is damaged in any way, ensure that it is immediately replaced by an authorised technical support centre before using the machine again.

### Required Maintenance

- a. Check the cable
- b. Check the wheel for any sign of wear
- c. Check the moving parts for alignment and connection
- d. Repair of abrasive wheels
- e. Replacement of abrasive wheels
- f. Clean and evacuate dust from the motor and wheel parts.

### Frequency

Before every time of use  
 Before every time of use  
 Before every time of use  
 Whenever required  
 Whenever required  
 Whenever required

Service, as mentioned above, in addition to the recommended maintenance on these tools should only be carried out by an authorised, qualified technician/personnel.

## STORAGE & TRANSPORT

1. Clean the machine as described above.
2. Store the machine and its components in their original packaging in a dry and frost-free place. The ideal storage temperature is 10°C and 30°C
3. Always store the machine in an area that is not accessible to children.
4. Turn the machine off and disconnect it from the power supply before attempting to transport it anywhere.
5. Install transport guards, if provided.
6. Protect the machine from any strong shocks or vibrations that may occur during transport by a vehicle.
7. Secure the machine properly to prevent it from slipping and/or falling.

## TROUBLESHOOTING

Possible problems	Possible Cause	Remedy
The motor does not start.	<ol style="list-style-type: none"> <li>1. Low voltage.</li> <li>2. Open circuit in the motor or loose connections.</li> <li>3. Fault in fuse or decoupler.</li> </ol>	<ol style="list-style-type: none"> <li>1. Check power source for proper voltage.</li> <li>2. Inspect for loose or open connections (service required).</li> <li>3. Short circuit (service required).</li> <li>4. Incompatibility between tool and circuit, fuse or disconnect.</li> </ol>
The motor will not start - fuses and disconnect switches are tripped..	<ol style="list-style-type: none"> <li>1. Short circuit in the line, cable or plug.</li> <li>2. Short circuit in the motor or loose connections.</li> <li>3. Faulty fuses or disconnectors in the distribution line.</li> </ol>	<ol style="list-style-type: none"> <li>1. Inspect cable and/or plug for damaged insulation and shorted conductors.</li> <li>2. Inspect all connections to the motor for loose or shorted terminals and/or damaged insulation.</li> <li>3. Install proper fuses or disconnect switches or replace gear to correspond to an adequately sized circuit.</li> </ol>
The motor overheats.	<ol style="list-style-type: none"> <li>1. The motor has received a load in excess of the maximum possible.</li> <li>2. The extension cable is too long and of insufficient weight.</li> </ol>	<ol style="list-style-type: none"> <li>1. Reduce the motor load.</li> <li>2. Use an extension cord of appropriate weight and length or plug directly into the outlet.</li> </ol>
The motor stops (resulting in fuses blowing or the circuit breaking/tripping).	<ol style="list-style-type: none"> <li>1. Short circuit in motor or loose connections.</li> <li>2. Low voltage.</li> <li>3. Faulty fuses or disconnect switches on the line.</li> <li>4. Motor overload.</li> </ol>	<ol style="list-style-type: none"> <li>1. Inspect connections to the motor for loose or shorted terminals or worn insulation (service required).</li> <li>2. Correct causes of low voltage (e.g. improper extension cable length and/or weight of extension cable).</li> <li>3. Install proper fuses or circuit breakers or connect the tool to an appropriate circuit, paired with an appropriate fuse or disconnect switch.</li> <li>4. Reduce the load on the motor.</li> </ol>
The motor slows down during operation.	The feed rate is very high.	Reduce the rate at which the workpiece is fed into the working area of the tool (abrasive wheel).
The workpiece has a corrugated surface.	<ol style="list-style-type: none"> <li>1. The machine vibrates.</li> <li>2. The workpiece is not held steady.</li> <li>3. The front part of the wheel is uneven.</li> <li>4. The wheel is too hard.</li> </ol>	<ol style="list-style-type: none"> <li>1. Make sure the machine is securely fastened to a solid surface.</li> <li>2. Use a holding device for the workpiece.</li> <li>3. Restructure the abrasive wheel with the appropriate tool.</li> <li>4. Use softer wheel, or reduce feed rate.</li> </ol>
Presented lines in the on the surface of the workpiece.	<ol style="list-style-type: none"> <li>1. Impurities on the wheel surface.</li> <li>2. The workpiece is not held firmly.</li> </ol>	<ol style="list-style-type: none"> <li>1. Restructure the wheel.</li> <li>2. Use support device for the stability of the workpiece.</li> </ol>
Marks or cracks on the workpiece.	<ol style="list-style-type: none"> <li>1. Inappropriate type of abrasive wheel.</li> <li>2. Improper feed rate.</li> <li>3. Coolant required.</li> </ol>	<ol style="list-style-type: none"> <li>1. Try wheels with a softer connection or more sharp steel shavings</li> <li>2. Reduce the rate at which the workpiece is fed to the wheel.</li> <li>3. Add coolant.</li> </ol>
The wheel dulls very quickly, the steel splinters fall off.	<ol style="list-style-type: none"> <li>1. The feed rate is very aggressive.</li> <li>2. The wheel is soft.</li> <li>3. The diameter of the wheel is too small.</li> <li>4. Poor abrasive wheel repair.</li> <li>5. Defective wheel connection.</li> </ol>	<ol style="list-style-type: none"> <li>1 Reduce the feed rate of the workpiece to the abrasive wheel.</li> <li>2. Select an abrasive wheel with a harder material connection.</li> <li>3. Replace the wheel.</li> <li>4. Repair the wheel.</li> <li>5. USE PROHIBITED - DANGER !</li> </ol> <p>Return the wheel to the point of purchase.</p>
The wheel becomes clogged/clogged and burn marks appear on the workpiece.	<ol style="list-style-type: none"> <li>1. The wheel is too hard.</li> <li>2. The feed rate is too low.</li> <li>3. Poor wheel repair.</li> <li>4. Coolant required.</li> </ol>	<ol style="list-style-type: none"> <li>1. Select a grinding wheel with a softer material connection.</li> <li>2. Increase the feed rate of the workpiece to the grinding wheel.</li> <li>3. Repair the wheel.</li> <li>4. Insert coolant.</li> </ol>



## Environmental Disposal

In order to avoid damage during transport, the tool must be delivered in solid packaging. The packaging as well as the unit and accessories are made of recyclable materials and can be disposed of accordingly. The plastic parts of the tool are marked according to their material, which makes it possible to dispose of environmentally friendly and differentiated due to the available collection facilities.



### Only for EU countries

Do not throw away power tools with household waste!

According to the European Directive 2002/96/EC on waste electrical and electronic equipment and its implementation according to national legislation, end-of-life power tools must be collected separately and returned to an environmentally compliant recycling facility.

**BORMANN**®

## ΟΔΗΓΙΕΣ ΑΣΦΑΛΕΙΑΣ

**ΚΙΝΔΥΝΟΣ!** Η μη τήρηση οποιασδήποτε από τις ακόλουθες οδηγίες θα μπορούσε να έχει ως αποτέλεσμα σοβαρό προσωπικό τραυματισμό των χρηστών εργαλείων και των παρευρισκομένων ή να προκαλέσει βλάβη στο εργαλείο και σε περιουσιακά στοιχεία!  
**ΠΡΟΕΙΔΟΠΟΙΗΣΗ!** - Διαβάστε, κατανοήστε και τηρήστε όλες τις οδηγίες του παρόντος εγχειριδίου πριν χρησιμοποιήσετε ή χειριστείτε το εργαλείο για το οποίο έχει γραφτεί και παρασχεθεί. Βεβαιωθείτε ότι οποιοσδήποτε πρόκειται να χρησιμοποιήσει το εργαλείο έχει διαβάσει και κατανοήσει τις οδηγίες που παρέχονται.

- Να φοράτε πάντοτε προστατευτικά ματιών που συμμορφώνονται με ένα αναγνωρισμένο πρότυπο (CSA ή ANSI).
- Φοράτε μάσκα ή αναπνευστική συσκευή όταν δημιουργείται σκόνη.
- Κρατήστε τους παρευρισκομένους εκτός της περιοχής εργασίας κατά τη λειτουργία του εργαλείου.
- **ΠΡΟΕΙΔΟΠΟΙΗΣΗ!** Πάντοτε να διασφαλίζετε ότι η περιοχή εργασίας είναι απαλλαγμένη από εύφλεκτα υλικά, υγρά ή αέρια, καθώς η χρήση αυτού του εργαλείου μπορεί να δημιουργήσει σπινθήρες.
- Συσφίξτε τα περικόχλια του τροχού λείανσης, ασφαλίστε τις βίδες και όλους τους σφιγκτήρες και τους προφυλακτήρες.
- Κατά τη διάρκεια κάθε εκκίνησης, να στέκεστε στη μία πλευρά του δίδυμο τροχού και να τον ενεργοποιείτε πιέζοντας το "ON". Αφήστε τον δίδυμο τροχό να λειτουργήσει με πλήρη ταχύτητα για ένα λεπτό περίπου, έτσι ώστε να εμφανιστούν τυχόν μη ανιχνευμένα ελαττώματα ή ρωγμές που δεν έχουν εντοπιστεί.
- Διατηρήστε τον/τους προφυλακτήρες στη θέση τους με ορθή λειτουργία.
- Κρατήστε τα χέρια σας μακριά από τον/τους τροχούς λείανσης.
- Ποτέ να μην αγγίζετε το πίσω ή το κάτω μέρος των τροχών λείανσης.
- Αποσυνδέστε το εργαλείο από την παροχή ρεύματος πριν από κάθε ρύθμιση ή τη συντήρηση. Οι τροχοί λείανσης συνεχίζουν να περιστρέφονται μετά την απενεργοποίηση του εργαλείου. Να αφήνετε πάντα στους τροχούς να σταματούν εντελώς πριν από κάθε ρύθμιση ή τη συντήρηση.
- Για την αποφυγή ηλεκτροπληξίας ΜΗΝ χρησιμοποιείτε το εργαλείο σε υγρές συνθήκες και να μην εκτίθεται αυτό στη βροχή.
- Χρησιμοποιήστε μόνο εξαρτήματα που συνιστώνται από τον κατασκευαστή για το εκάστοτε μοντέλο.
- ΜΗΝ προσπαθήσετε να κόψετε οτιδήποτε με τον τροχό λείανσης.
- Τα γειωμένα εργαλεία πρέπει να είναι συνδεδεμένα σε πρίζα που έχει εγκατασταθεί σωστά και γειωθεί σύμφωνα με όλους τους τοπικούς κώδικες και κανονισμούς. Μην αφαιρείτε ποτέ την γείωση και μην την τροποποιείτε με τον οποιονδήποτε τρόπο. Μην χρησιμοποιείτε βύσματα προσαρμογής (αντάπτορες). Εάν υπάρχουν αμφιβολίες για το εάν η πρίζα είναι ορθώς γειωμένη, συμβουλευτείτε έναν ειδικευμένο ηλεκτρολόγο.
- Μην χρησιμοποιείτε το εργαλείο όταν είστε κουρασμένοι ή υπό την επήρεια αλκοόλ ή φαρμάκων.
- Μην φοράτε χαλαρά ρούχα ή κοσμήματα. Κρατήστε τα μαλλιά σας δεμένα.
- Βεβαιωθείτε ότι ο διακόπτης ισχύος είναι απενεργοποιημένος πριν από την σύνδεση του εργαλείου.
- **ΠΡΟΕΙΔΟΠΟΙΗΣΗ!** Αντικαταστήστε αμέσως τον/τους τροχούς λείανσης εάν παρουσιάσουν ρωγμές.
- Μην συσφίγγετε υπερβολικά τα περικόχλια του άξονα.
- Το service σε αυτά τα εργαλεία πρέπει να εκτελείται μόνο από εξουσιοδοτημένο και ειδικευμένο τεχνικό προσωπικό.

## ΠΡΟΕΤΟΙΜΑΣΙΑ

### Πριν ξεκινήσετε - Ζητήματα ασφάλειας

- Να χρησιμοποιείτε πάντα προστασία ματιών συμμορφούμενη με ένα αναγνωρισμένο πρότυπο (για παράδειγμα: ANSI Z87.1) - (CSA ή ANSI).
- Φοράτε πάντοτε μάσκα ή αναπνευστική συσκευή όταν δημιουργείται σκόνη.
- Κρατήστε τους παρευρισκομένους εκτός της περιοχής εργασίας κατά τη λειτουργία του εργαλείου.
- **ΠΡΟΕΙΔΟΠΟΙΗΣΗ!** Πάντοτε να διασφαλίζετε ότι η περιοχή εργασίας είναι απαλλαγμένη από εύφλεκτα υλικά, υγρά ή αέρια, επειδή η χρήση αυτού του εργαλείου μπορεί να δημιουργήσει σπινθήρες.
- Μην φοράτε χαλαρά ρούχα ή κοσμήματα. Κρατήστε τα μαλλιά σας δεμένα.
- **ΠΡΟΕΙΔΟΠΟΙΗΣΗ!** Αντικαταστήστε αμέσως τον/τους τροχούς λείανσης οι οποίοι έχουν ρωγμές. Μην σφίγγετε υπερβολικά τα περικόχλια του άξονα.
- ΠΟΤΕ μην πραγματοποιείτε λείανση με την πλευρά του τροχού. Λείανση να λαμβάνει χώρα μόνο με το εμπρόσθιο τμήμα του τροχού.
- ΠΟΤΕ μην ασκείτε πίεση στο τεμάχιο κατεργασίας όταν ο τροχός λείανσης είναι ψυχρός. Ο τροχός πρέπει να θερμανθεί εφαρμόζοντας το αντικείμενο κατεργασίας σταδιακά.
- ΠΟΤΕ μη χρησιμοποιείτε το μηχάνημα λείανσης χωρίς τα προστατευτικά των τροχών. Κρατήστε τους αντίχειρες και τα δάχτυλα μακριά από το τροχό.

### Πριν ξεκινήσετε - Προστασία έναντι ηλεκτρισμού

Σε περίπτωση δυσλειτουργίας ή βραχυκυκλώματος, η γείωση παρέχει τη διαδρομή της ελάχιστης αντίστασης για το ηλεκτρικό ρεύμα και μειώνει τον κίνδυνο ηλεκτροπληξίας για τον χειριστή. Το εργαλείο αυτό είναι εξοπλισμένο με ηλεκτρικό καλώδιο που διαθέτει αγωγό γείωσης εξοπλισμού και βύσμα γείωσης. Το βύσμα ΠΡΕΠΕΙ να είναι συνδεδεθεί σε μια πρίζα που να έχει εγκατασταθεί σωστά και να είναι γειωμένη σύμφωνα με ΟΛΟΥΣ τους τοπικούς κώδικες και κανονισμούς.

**ΜΗΝ ΤΡΟΠΟΠΟΙΕΙΤΕ ΤΟ ΠΑΡΕΧΟΜΕΝΟ ΒΥΣΜΑ.** Εάν δεν χωράει στην πρίζα, εγκαταστήστε την κατάλληλη πρίζα με την συνδρομή ηλεκτρολόγου.

Η ακατάλληλη σύνδεση του αγωγού γείωσης του εξοπλισμού μπορεί να οδηγήσει σε αυξημένο κίνδυνο ηλεκτροπληξίας. Ο αγωγός με την πράσινη μόνωση (με ή χωρίς κίτρινες λωρίδες) είναι ο αγωγός γείωσης του εξοπλισμού. Εάν είναι απαραίτητη η επισκευή ή η αντικατάσταση του ηλεκτρικού καλωδίου ή του βύσματος, ΜΗΝ συνδέετε τον αγωγό γείωσης του εξοπλισμού σε ρευματοφόρο ακροδέκτη.

ΕΛΕΓΞΤΕ με εξειδικευμένο ηλεκτρολόγο ή προσωπικό υπηρεσίας εάν δεν κατανοείτε πλήρως τις οδηγίες γείωσης, ή εάν δεν σίγουροι αν το εργαλείο είναι ορθώς γειωμένο.

## ΧΡΗΣΗ ΚΑΛΩΔΙΩΝ ΠΡΟΕΚΤΑΣΗΣ

Χρησιμοποιείτε μόνο καλώδια προέκτασης τριών αγωγών με βύσματα 3 ακροδεκτών και πρίζες 3 υποδοχών που δέχονται το βύσμα του φως του εργαλείου. Επισκευάστε ή αντικαταστήστε κατεστραμμένα ή φθαρμένα καλώδια αμέσως. Βεβαιωθείτε ότι το καλώδιο προέκτασης είναι σωστά συνδεδεμένο και σε καλή κατάσταση. Μην χρησιμοποιείτε κατεστραμμένα καλώδια προέκτασης. Πάντοτε να αντικαθιστάτε ένα καλώδιο προέκτασης το οποίο είναι κατεστραμμένο. Κατά την χρήση ενός καλωδίου προέκτασης βεβαιωθείτε ότι είναι επαρκές ώστε να μεταφέρει το ρεύμα που θα απορροφά το εργαλείο. Ένα υποδιαστασιοποιημένο καλώδιο θα προκαλεί πτώση τάσης στην γραμμή, με αποτέλεσμα απώλεια ισχύος και υπερθέρμανση. Πριν την σύνδεση του μοτέρ με την γραμμή ρεύματος, βεβαιωθείτε ότι ο διακόπτης βρίσκεται στην θέση OFF και ότι το ηλεκτρικό ρεύμα έχει τα ονομαστικά μεγέθη με το ρεύμα της πινακίδας του μοτέρ. Λειτουργία σε χαμηλότερη τάση θα καταστρέψει το μοτέρ και δεν καλύπτεται από την εγγύηση.

## ΑΠΟΣΥΣΚΕΥΑΣΙΑ

1. Αποσυσκευάστε όλα τα περιεχόμενα της συσκευασίας και τοποθετήστε τα επάνω σε μία επίπεδη και σταθερή επιφάνεια.
2. Αφαιρέστε όλα τα υλικά συσκευασίας και τις διατάξεις μεταφοράς (εφόσον υπάρχουν).
3. Βεβαιωθείτε ότι το περιεχόμενο της συσκευασίας είναι πλήρες και χωρίς καμία ζημιά. Εάν λείπει κάποιο εξάρτημα ή εάν κάποιο εξάρτημα έχει υποστεί ζημιά κατά τη διάρκεια της μεταφοράς, επικοινωνήστε με τον τοπικό σας αντιπρόσωπο. Η χρήση ενός χαλασμένου ή μη άριτου προϊόντος αποτελεί κίνδυνο τραυματισμού και υλικών ζημιών.
4. Διασφαλίστε ότι διαθέτετε όλα τα εξαρτήματα και εργαλεία που απαιτούνται για τη συναρμολόγηση και τη λειτουργία. Σε αυτά περιλαμβάνεται και ο κατάλληλος εξοπλισμός ατομικής προστασίας.

## ΠΡΟΕΤΟΙΜΑΣΙΑ ΔΙΔΥΜΟΥ ΤΡΟΧΟΥ

### Στερέωση δίδυμου τροχού

**ΠΡΟΕΙΔΟΠΟΙΗΣΗ:** Μην χρησιμοποιείτε τον δίδυμο τροχό εάν δεν έχει πρώτα εγκατασταθεί με ασφάλεια επάνω σε κατάλληλο πάγκο εργασίας.

Τοποθετήστε το μηχάνημα επάνω σε έναν σταθερό και επίπεδο πάγκο εργασίας ή βάση εργαλείου και φροντίστε για τη σωστή στερέωση του. Η μπροστινή πλευρά του μηχανήματος θα πρέπει να είναι εύκολα προσβάσιμη, μετά την στερέωσή του. Η παροχή ρεύματος θα πρέπει να βρίσκεται σε μία μέγιστη απόσταση 100 – 150 cm από το σημείο στερέωσης του μηχανήματος.

### Συναρμολόγηση προστατευτικού τζαμιού

**ΠΡΟΕΙΔΟΠΟΙΗΣΗ:** Ποτέ μην χρησιμοποιείτε το δίδυμο τροχό εάν δεν έχει πρώτα εγκατασταθεί το προστατευτικό τζάμι.

1. Ευθυγραμμίστε τη σχισμή του βραχίονα του προστατευτικού τζαμιού με την υποδοχή που βρίσκεται στο άνω τμήμα του προφυλακτήρα τροχού και προχωρήστε στην στερέωση χρησιμοποιώντας βίδα και περικόχλιο.
2. Βεβαιωθείτε ότι το διάκενο μεταξύ του βραχίονα του προστατευτικού τζαμιού και του τροχού, δεν είναι μεγαλύτερο από 2 mm (Σχ. Α, Β)

### Συναρμολόγηση επιφάνειας στήριξης τεμαχίου κατεργασίας

Η επιφάνεια στήριξης τεμαχίου κατεργασίας θα πρέπει να εγκατασταθεί με τέτοιο τρόπο ώστε το διάκενο μεταξύ του τροχού / ταινίας και της επιφάνειας στήριξης να μην υπερβαίνει τα 2 mm.

1. Τοποθετήστε την επιφάνεια στήριξης τεμαχίου κατεργασίας έναντι της ράγας του προφυλακτήρα τροχού. Βεβαιωθείτε ότι η επιφάνεια στήριξης «κοιτάζει» προς τη σωστή κατεύθυνση. Η κυρτή γωνία θα πρέπει να «κοιτάζει» μακριά από τον τροχό.
2. Περάστε τη βίδα διαμέσου της σχισμής στη ράγα και της επιφάνειας στήριξης.
3. Τοποθετήστε το γκρόβερ και τη ροδέλα στο άκρο της βίδας από την άλλη πλευρά.
4. Ασφαλίστε τη βίδα χρησιμοποιώντας το πόμολο
5. Επαναλάβετε τα βήματα 1- 4 για να εγκαταστήσετε την επιφάνεια στήριξης τεμαχίου επεξεργασίας στον προφυλακτήρα της ταινίας. (Σχ. C)

### Εγκατάσταση αριστερού τροχού

**ΠΡΟΕΙΔΟΠΟΙΗΣΗ:** Προτού προβείτε σε οποιαδήποτε εργασία εγκατάστασης ή αντικατάστασης των τροχών, βεβαιωθείτε ότι το μηχάνημα είναι απενεργοποιημένο και αποσυνδεδεμένο από την παροχή ρεύματος.

1. Αφαιρέστε τις βίδες από τον προφυλακτήρα τροχού και στη συνέχεια τραβήξτε τον προς τα έξω.
2. Αφαιρέστε το περικόχλιο από τον άξονα χρησιμοποιώντας ένα κατάλληλο κλειδί. Το περικόχλιο στον δεξιό άξονα διαθέτει δεξιόστροφο σπείρωμα, ενώ το περικόχλιο στον αριστερό άξονα διαθέτει αριστερόστροφο σπείρωμα.
3. Αφαιρέστε την εξωτερική φλάντζα από τον άξονα.
4. Τοποθετήστε τον τροχό επάνω στον άξονα και μόλις εδράσει στη θέση του, περιστρέψτε τον με το χέρι για να επιβεβαιώσετε ότι ο τροχός κινείται ελεύθερα και ότι δεν έρχεται σε επαφή με καμία επιφάνεια.
5. Εγκαταστήστε εκ νέου τη φλάντζα, το περικόχλιο και τον προφυλακτήρα.
6. Συνδέστε το μηχάνημα στην παροχή ρεύματος, ενεργοποιήστε το μηχάνημα και αφήστε τον τροχό να περιστραφεί άνευ φορτίου, για ένα λεπτό σε μέγιστη ταχύτητα, προκειμένου να βεβαιωθείτε ότι δεν έχει ρωγμές. (Σχ. D)

**ΠΡΟΕΙΔΟΠΟΙΗΣΗ:** Για να μπορέσετε να χαλαρώσετε / σφίξετε το περικόχλιο του άξονα, κρατήστε τον άξονα σταθερό χρησιμοποιώντας ένα δεύτερο κλειδί στο περικόχλιο της ταινίας (μάντα).

## Εγκατάσταση/Αντικατάσταση ταινίας

**ΠΡΟΕΙΔΟΠΟΙΗΣΗ:** Προτού προβείτε σε οποιαδήποτε εργασία εγκατάστασης ή αντικατάστασης των τροχών, βεβαιωθείτε ότι το μηχάνημα είναι απενεργοποιημένο και αποσυνδεδεμένο από την παροχή ρεύματος.

- Ξεβιδώστε τις 2 βίδες (a) πλευρικά του προφυλακτήρα ταινίας και αφαιρέστε τον προφυλακτήρα ταινίας (9) (βλ. Εικόνα E).
- Χαλαρώστε τη βίδα συγκράτησης (b) του κυλίνδρου ταινίας (βλ. Εικόνα F).
- Πιέστε το μοχλό τάνυσης ταινίας (d) προς τα κάτω για να χαλαρώσετε την ένταση του ελατηρίου (c) και αφαιρέστε την ταινία.
- Σύρετε την καινούρια ταινία πάνω από τους δύο κυλίνδρους, φροντίζοντας να εφάπτεται σε όλο το πλάτος της ομοιόμορφα. Βεβαιωθείτε ότι το βέλος που βρίσκεται στο εσωτερικό της ταινίας δείχνει προς την κατεύθυνση που θα κινείται η ταινία (βλ. Εικόνα F).
- Σπρώξτε τον άνω κύλινδρο προς τα επάνω και κρατώντας τον εκεί, σπρώξτε τον μοχλό τάνυσης ταινίας προς τα επάνω.
- Σφίξτε εκ νέου τη βίδα συγκράτησης του κυλίνδρου ταινίας.
- Ρυθμίστε τη διαδρομή της ταινίας σύμφωνα με όσα περιγράφονται στην επόμενη υπο-ενότητα.
- Επανατοποθετήστε τον προφυλακτήρα ταινίας και ασφαλίστε τον εγκαθιστώντας εκ νέου τις 2 βίδες πλευρικά του προφυλακτήρα ταινίας.

## Ρύθμιση Διαδρομής Ταινίας

### ΠΡΟΕΙΔΟΠΟΙΗΣΗ:

- Εάν η διαδρομή της ταινίας ρυθμιστεί λάθος, μπορεί να προκληθεί ζημιά στο μηχάνημα και στην ταινία.
- Μην λειτουργείτε το μηχάνημα εάν η ταινία δεν έχει ρυθμιστεί σωστά.
- Ρυθμίστε την ταινία προσεκτικά. Σε ορισμένες περιπτώσεις, ενδέχεται να χρειαστούν αρκετές προσπάθειες προκειμένου να ρυθμιστεί η ταινία. Ενδέχεται να απαιτηθεί η εκ νέου τοποθέτηση της ταινίας επάνω στους κυλίνδρους και η επανάληψη της διαδικασίας ρύθμισης έως ότου τοποθετηθεί σωστά.

- Περιστρέψτε την ταινία με το χέρι και ελέγξτε εάν η ταινία διέρχεται από το κέντρο και των δύο κυλίνδρων.
- Ρυθμίστε τη διαδρομή της ταινίας περιστρέφοντας τη βίδα ρύθμισης διαδρομής ταινίας (ε) (Δείτε το Σχ. Η). Περιστρέφοντας τη βίδα ρύθμισης διαδρομής ταινίας δεξιόστροφα, η διαδρομή ρυθμίζεται προς τα αριστερά. Περιστρέφοντας τη βίδα ρύθμισης διαδρομής ταινίας αριστερόστροφα, η διαδρομή ρυθμίζεται προς τα δεξιά.

## ΛΕΙΤΟΥΡΓΙΑ

### ΣΥΝΔΕΣΗ ΣΕ ΠΑΡΟΧΗ ΡΕΥΜΑΤΟΣ

**ΠΡΟΕΙΔΟΠΟΙΗΣΗ:** Ελέγξτε την τάση. Η τάση της παροχής ρεύματος πρέπει να ταιριάζει με τις απαιτήσεις τάσης του εργαλείου, όπως αυτές αναγράφονται στην ετικέτα χαρακτηριστικών του.

**ΠΡΟΕΙΔΟΠΟΙΗΣΗ:** Προτού συνδέσετε το μηχάνημα στην παροχή ρεύματος, βεβαιωθείτε ότι ο διακόπτης ενεργοποίησης / απενεργοποίησης βρίσκεται στην απενεργοποιημένη θέση.

Συνδέστε το μηχάνημα σε κατάλληλα γειωμένη παροχή ρεύματος 230 V ~ 50 Hz, η υποδοχή της οποίας θα είναι συμβατή με το βύσμα του μηχανήματος.

### ΕΝΕΡΓΟΠΟΙΗΣΗ/ΑΠΕΝΕΡΓΟΠΟΙΗΣΗ

Προτού συνδέσετε το μηχάνημα στην παροχή ρεύματος, περιστρέψτε τον τροχό και την ταινία με το χέρι για να διασφαλίσετε ότι περιστρέφονται ελεύθερα.

- Για να ενεργοποιήσετε το μηχάνημα, θέστε το διακόπτη ενεργοποίησης / απενεργοποίησης στη θέση «I».
- Για να απενεργοποιήσετε το μηχάνημα, θέστε το διακόπτη ενεργοποίησης / απενεργοποίησης στη θέση «O».

Σημαντική σημείωση: Μπορούν να επιλεγούν δύο δυνατότητες λειτουργίας ισχύος: 250 W S1 συνεχούς λειτουργίας / 350 W S6 10 %. Ο τρόπος λειτουργίας S6 10% ισοδυναμεί με συνεχή λειτουργία με διαλείπουσα φόρτιση. Για να αποφευχθεί η ανεπιτρεπτή υπερθέρμανση του κινητήρα, ο κινητήρας πρέπει να λειτουργεί μόνο για το 10% του χρόνου λειτουργίας με την προβλεπόμενη ονομαστική ισχύ.

## ΓΕΝΙΚΕΣ ΟΔΗΓΙΕΣ ΧΡΗΣΗΣ

- Πριν από κάθε χρήση, να ελέγχετε τον τροχό και την ταινία και να βεβαιώνετε ότι δεν έχουν υποστεί καμία ζημιά.
- Μετά την ενεργοποίηση του μηχανήματος, περιμένετε έως ότου να φθάσει στη μέγιστη ταχύτητα του, προτού εκκινήσετε την εργασία σας.
- Τα προστατευτικά τζάμια είναι ρυθμιζόμενα και θα πρέπει να τοποθετούνται έτσι ώστε να παρέχουν στον χειριστή ένα καθαρό οπτικό πεδίο διαμέσου αυτών.
- Να συγκρατείτε το τεμάχιο κατεργασίας έναντι της επιφάνειας στήριξης και να το τροφοδοτείτε ομαλά και ομοιόμορφα στον τροχό.
- Η σωστή ρύθμιση των επιφανειών στήριξης τεμαχίου επεξεργασίας θα παράσχουν τη σωστή γωνία εργασίας για αποτελεσματική λείανση. Καθώς η διάμετρος του τροχού υπόκειται σε φθορά, θα χρειαστεί να ρυθμίσετε εκ νέου τη θέση της επιφάνειας στήριξης.

Στερεώστε τον δίδυμο τροχό σε μία οριζόντια, σταθερή επιφάνεια προτού τον χρησιμοποιήσετε. Η τοποθέτηση του δίδυμου τροχού προς το έμπροσθεν άκρο του πάγκου, θα διευκολύνει τη διαχείριση εργαλείων μεγάλου μήκους. Εάν είναι εφικτό, επιτρέψτε την ύπαρξη επαρκούς χώρου στην αριστερή πλευρά του μηχανήματος προκειμένου να υπάρχει εύκολη πρόσβαση στον τροχό. Μία εναλλακτική μέθοδος είναι η στερέωση του μηχανήματος σε ένα φύλλο κόντρα πλάκ, το οποίο θα μπορούσε στη συνέχεια να συγκρατηθεί με κατάλληλα μέσα σε έναν πάγκο ή τραπέζι, προκειμένου να διαθέτει ο δίδυμος τροχός την πιο βολική θέση. προτού χρησιμοποιήσετε το μηχάνημα, βεβαιωθείτε ότι το προστατευτικό τζάμι είναι τοποθετημένο όσο το δυνατόν πιο κοντά στην επιφάνεια του τροχού προκειμένου να αποτρέψει να πετάγονται σπινθήρες. Αποτελεί λογική προφύλαξη, να χρησιμοποιείτε γυαλιά ασφαλείας όταν χρησιμοποιείτε τον δίδυμο τροχό πάγκου. Το μηχάνημα μπορεί να χρησιμοποιηθεί για τη λείανση προφίλ ή ουσιαστικά οποιουδήποτε εργαλείου κοπής, καλεμιών, τρυπανιών, κ.λπ. Ωστόσο, θα πρέπει να δώσετε την απαραίτητη προσοχή ώστε να μην λείανετε ένα εργαλείο πολύ σκληρά ή για μεγάλο χρονικό διάστημα προς αποφυγή υπερθέρμανσης.

## ΣΥΝΤΗΡΗΣΗ & ΚΑΘΑΡΙΣΜΟΣ

**ΠΡΟΕΙΔΟΠΟΙΗΣΗ:** Προτού προβείτε σε οποιαδήποτε εργασία συντήρησης, καθαρισμού ή επισκευής επάνω στο μηχάνημα, απενεργοποιήστε το μηχάνημα, αποσυνδέστε το από την παροχή ρεύματος και περιμένετε λίγα λεπτά για να κρυώσει.

**ΠΡΟΕΙΔΟΠΟΙΗΣΗ:** Να προβαίνετε μόνο στις εργασίες συντήρησης και επισκευής που αναφέρονται στο εγχειρίδιο αυτό χρήσης. Οποιαδήποτε άλλη εργασία, θα πρέπει να πραγματοποιείται από εξουσιοδοτημένα κέντρα τεχνικής υποστήριξης.

1. Διατηρείτε το μηχάνημα καθαρό. Απομακρύνετε τυχόν απόβλητα από αυτό μετά από κάθε χρήση και πριν την αποθήκευσή του.
2. Ο τακτικός και σωστός καθαρισμός θα βοηθήσει στη διασφάλιση της ασφάλειας και την επέκταση της διάρκειας ζωής του μηχανήματος.
3. Να επιθεωρείτε το μηχάνημα πριν από κάθε χρήση για φθαρμένα και χαλασμένα εξαρτήματα. Μην λειτουργείτε το μηχάνημα εάν εντοπίσετε το οποιοδήποτε σπασμένο ή φθαρμένο εξάρτημα.
4. Να καθαρίζετε το μηχάνημα χρησιμοποιώντας ένα στεγνό πανί. Να χρησιμοποιείτε μία βούρτσα για τις περιοχές όπου δεν είναι εύκολη η πρόσβαση. Αποφύγετε τη χρήση διαλυτών κατά τον καθαρισμό πλαστικών μερών. Τα περισσότερα πλαστικά μέρη είναι επιρρεπή σε ζημιές από τη χρήση διαλυτών.
5. Ελέγξτε για φθαρμένα ή χαλασμένα μέρη. Αντικαταστήστε τα φθαρμένα μέρη εάν χρειαστεί ή απευθυνθείτε σε εξουσιοδοτημένο κέντρο τεχνικής υποστήριξης για την διεξαγωγή των απαραίτητων εργασιών επισκευής.
6. Όλα τα έδρανα του μηχανήματος έχουν λιπανθεί επαρκώς για όλη τη διάρκεια ζωής του μηχανήματος, υπό φυσιολογικές συνθήκες λειτουργίας και ως εκ τούτου δεν απαιτείται περαιτέρω λίπανση.
7. Εάν το καλώδιο ρεύματος υποστεί την οποιαδήποτε ζημιά, φροντίστε για την άμεση αντικατάσταση του από εξουσιοδοτημένο κέντρο τεχνικής υποστήριξης προτού χρησιμοποιήσετε το μηχάνημα ξανά.

### Απαιτούμενη Συντήρηση

- α. Ελέγξτε το καλώδιο
- β. Ελέγξτε τους τροχούς για φθορές
- γ. Ελέγξτε τα κινούμενα τμήματα για ευθυγράμμιση και σύνδεση
- δ. Επιδιόρθωση λειαντικών τροχών
- ε. Αντικατάσταση λειαντικών τροχών
- στ. Καθαρίστε και εκκενώστε την σκόνη από το μοτέρ και μέρη του τροχού.

### Συχνότητα

- Πριν από κάθε χρήση.  
 Πριν από κάθε χρήση.  
 Πριν από κάθε χρήση.  
 Εφόσον και όταν απαιτηθεί.  
 Εφόσον και όταν απαιτηθεί.  
 Εφόσον και όταν απαιτηθεί.

Το σέρβις, όπως αναφέρθηκε ως άνω, πέραν της συνιστώμενης συντήρησης σε αυτά τα εργαλεία πρέπει να εκτελείται αποκλειστικά και μόνο από εξουσιοδοτημένο, εξειδικευμένο τεχνικό/προσωπικό.

## ΑΠΟΘΗΚΕΥΣΗ & ΜΕΤΑΦΟΡΑ

1. Καθαρίστε το μηχάνημα, όπως περιγράφεται ανωτέρω.
2. Αποθηκεύστε το μηχάνημα και τα εξαρτήματα του εντός της αρχικής του συσκευασίας, σε ένα στεγνό και χωρίς παγετό χώρο. Η ιδανική θερμοκρασία αποθήκευσης είναι 10°C και 30°C
3. Πάντα να αποθηκεύετε το μηχάνημα σε χώρο ο οποίος δεν είναι προσβάσιμος σε παιδιά.
4. Απενεργοποιήστε το μηχάνημα και αποσυνδέστε το από την παροχή ρεύματος, προτού επιχειρήσετε να το μεταφέρετε οπουδήποτε.
5. Εγκαταστήστε τους προφυλακτήρες μεταφοράς, εφόσον παρέχονται.
6. Να προστατεύετε το μηχάνημα από τυχόν δυνατές κρούσεις ή κραδασμούς που ενδέχεται να υπάρξουν κατά τη διάρκεια μεταφοράς με ένα όχημα.
7. Να ασφαλίζετε το μηχάνημα κατάλληλα προκειμένου να αποτραπεί η ολίσθηση του και / ή η πτώση του.

## ΑΝΤΙΜΕΤΩΠΙΣΗ ΑΝΑΔΥΟΜΕΝΩΝ ΠΡΟΒΛΗΜΑΤΩΝ

Είδη πιθανών προβλημάτων	Πιθανή Αιτία	Επισκευή
Το μοτέρ δεν εκκινεί.	<ol style="list-style-type: none"> <li>Χαμηλή τάση.</li> <li>Ανοικτό κύκλωμα στο μοτέρ ή χαλαρές συνδέσεις.</li> <li>Βλάβη σε ασφάλεια ή σε αποζεύκτη.</li> </ol>	<ol style="list-style-type: none"> <li>Ελέγξτε πηγή ισχύος για ορθή τάση.</li> <li>Επιθεωρήστε για χαλαρές ή ανοικτές συνδέσεις (απαιτείται service).</li> <li>Βραχυκύκλωμα (απαιτείται service.)</li> <li>Ασυμβατότητα μεταξύ εργαλείου και κυκλώματος, ασφάλειας ή αποζεύκτη.</li> </ol>
Το μοτέρ δεν εκκινεί - ασφάλειες και διακόπτες απόζευξης τίθενται σε λειτουργία.	<ol style="list-style-type: none"> <li>Βραχυκύκλωμα στην γραμμή, καλώδιο ή βύσμα.</li> <li>Βραχυκύκλωμα στο μοτέρ ή χαλαρές συνδέσεις.</li> <li>Λανθασμένες ασφάλειες ή αποζεύκτες στην γραμμή διανομής.</li> </ol>	<ol style="list-style-type: none"> <li>Επιθεωρήστε καλώδιο ή/και βύσμα για κατεστραμμένη μόνωση και βραχυκυκλωμένους αγωγούς.</li> <li>Επιθεωρήστε όλες τις συνδέσεις στο μοτέρ για χαλαρούς ή βραχυκυκλωμένους ακροδέκτες ή/και φθαρμένη μόνωση.</li> <li>Εγκαταστήστε σωστές ασφάλειες ή διακόπτες απόζευξης ή αντικαταστήστε το εργαλείο ώστε να αντιστοιχεί σε επαρκώς διαστασιολογημένο κύκλωμα.</li> </ol>
Το μοτέρ υπερθερμαίνεται.	<ol style="list-style-type: none"> <li>Το μοτέρ έχει παραλάβει φορτίο πέραν του μέγιστου δυνατού.</li> <li>Το καλώδιο επέκτασης είναι πολύ μακρύ και ανεπαρκούς βάρους.</li> </ol>	<ol style="list-style-type: none"> <li>Μειώστε το φορτίο του μοτέρ.</li> <li>Χρησιμοποιήστε ένα καλώδιο επέκτασης κατάλληλου βάρους και μήκους ή βύσμα απευθείας στην πρίζα.</li> </ol>
Το μοτέρ στολάρει (με αποτέλεσμα ασφάλειες να εκρήγνυνται ή το κύκλωμα να διακόπτεται/τριπάρει).	<ol style="list-style-type: none"> <li>Βραχυκύκλωμα σε μοτέρ ή χαλαρές συνδέσεις.</li> <li>Χαμηλή τάση.</li> <li>Λανθασμένες ασφάλειες ή διακόπτες απόζευξης στην γραμμή.</li> <li>Υπερφόρτιση κινητήρα.</li> </ol>	<ol style="list-style-type: none"> <li>Επιθεωρήστε τις συνδέσεις στον κινητήρα για χαλαρούς ή βραχυκυκλωμένους ακροδέκτες ή φθαρμένη μόνωση (απαιτείται service).</li> <li>Διορθώστε τα αίτια χαμηλής τάσης (π.χ. ακατάλληλο μήκος καλωδίου επέκτασης ή/και βάρος αυτού).</li> <li>Εγκαταστήστε σωστές ασφάλειες ή διακόπτες ασφάλειας ή συνδέστε το εργαλείο σε κατάλληλο κύκλωμα, αντιστοιχίζόμενο με κατάλληλη ασφάλεια ή διακόπτη απόζευξης.</li> <li>Μειώστε το φορτίο στον κινητήρα.</li> </ol>
Η μηχανή επιβραδύνει κατά την λειτουργία.	Ο ρυθμός τροφοδοσίας είναι πολύ μεγάλος.	.Μειώστε τον ρυθμό με το οποίο το τεμάχιο κατεργασίας τροφοδοτείται στην περιοχή εργασίας του εργαλείου (λειαντικός τροχός).
Το τεμάχιο κατεργασίας έχει κυματοειδή επιφάνεια.	<ol style="list-style-type: none"> <li>Η μηχανή δονείται.</li> <li>Το τεμάχιο κατεργασίας δεν κρατιέται σταθερό.</li> <li>Το εμπρόσθιο τμήμα του τροχού είναι ανομοιόμορφο.</li> <li>Ο τροχός είναι πολύ σκληρός.</li> </ol>	<ol style="list-style-type: none"> <li>Βεβαιωθείτε ότι το μηχανήμα είναι ασφαλώς στερεωμένο σε στερεά επιφάνεια.</li> <li>Χρησιμοποιήστε συσκευή συγκράτησης για το τεμάχιο εργασίας.</li> <li>Αναδομήστε τον λειαντικό τροχό με το κατάλληλο εργαλείο.</li> <li>Χρησιμοποιήστε μαλακότερο τροχό, ή μειώστε τον ρυθμό τροφοδοσίας.</li> </ol>
Παρουσιάζονται γραμμές στην επιφάνεια του τεμαχίου κατεργασίας.	<ol style="list-style-type: none"> <li>Ακαθαρσίες στην επιφάνεια του τροχού.</li> <li>Το τεμάχιο κατεργασίας δεν κρατιέται σταθερά.</li> </ol>	<ol style="list-style-type: none"> <li>Απομακρύνετε τις ακαθαρσίες από τον τροχό.</li> <li>Χρησιμοποιήστε συσκευής στήριξης για την σταθερότητα του τεμαχίου κατεργασίας.</li> </ol>
Σημάδια ή ρωγμές στο τεμάχιο κατεργασίας.	<ol style="list-style-type: none"> <li>Ακατάλληλος τύπος λειαντικού τροχού.</li> <li>Ακατάλληλος ρυθμός τροφοδοσίας.</li> <li>Απαιτείται ψυκτικό.</li> </ol>	<ol style="list-style-type: none"> <li>Δοκιμάστε τροχούς με μαλακότερη σύνδεση ή περισσότερο κοφτερά χαλυβδोरινίσματα</li> <li>Μειώστε τον ρυθμό κατά τον οποίο το τεμάχιο κατεργασίας τροφοδοτείται στον τροχό.</li> <li>Προσθέστε ψυκτικό.</li> </ol>
Ο τροχός στομώνει πολύ γρήγορα, τα χαλυβδोरινίσματα πέφτουν.	<ol style="list-style-type: none"> <li>Ο ρυθμός τροφοδοσίας είναι πολύ επιθετικός.</li> <li>Ο τροχός είναι μαλακός.</li> <li>Η διάμετρος του τροχού είναι πολύ μικρή.</li> <li>Κακή επιδιόρθωση λειαντικού τροχού.</li> <li>Ελαττωματική σύνδεση τροχών.</li> </ol>	<ol style="list-style-type: none"> <li>Μειώστε τον ρυθμό τροφοδοσίας του τεμαχίου κατεργασίας στον λειαντικό τροχό.</li> <li>Επιλέξτε λειαντικό τροχό με σκληρότερη σύνδεση υλικού.</li> <li>Αντικαταστήστε τον τροχό.</li> <li>Επιδιορθώστε τον τροχό.</li> <li>ΑΠΑΓΟΡΕΥΕΤΑΙ Η ΧΡΗΣΗ - ΚΙΝΔΥΝΟΣ !</li> </ol> <p>Επιστρέψτε τον τροχό στο σημείο αγοράς.</p>
Ο τροχός φράζει/στομώνει και στο τεμάχιο κατεργασίας φαίνονται σημάδια καψίματος.	<ol style="list-style-type: none"> <li>Ο τροχός είναι πολύ σκληρός.</li> <li>Ο ρυθμός τροφοδοσίας είναι πολύ χαμηλός.</li> <li>Κακή επιδιόρθωση τροχού.</li> <li>Απαιτείται ψυκτικό.</li> </ol>	<ol style="list-style-type: none"> <li>Επιλέξτε τροχό λείανσης με μαλακότερη σύνδεση υλικού.</li> <li>Αυξήστε τον ρυθμό τροφοδοσίας του τεμαχίου κατεργασίας στον λειαντικό τροχό.</li> <li>Επιδιορθώστε τον τροχό.</li> <li>Εισάγετε ψυκτικό.</li> </ol>

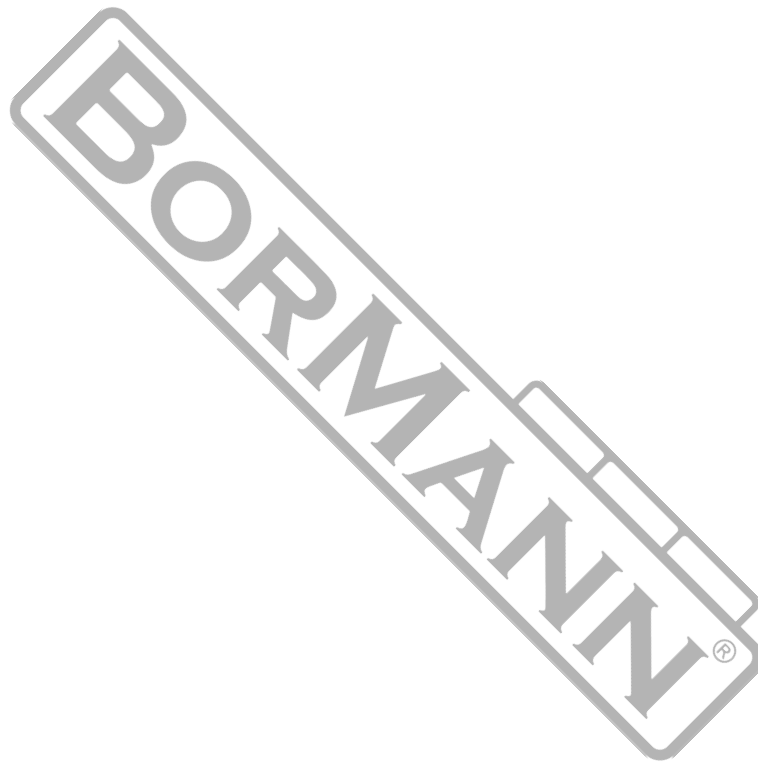
**ΑΠΟΡΡΙΨΗ ΣΤΟ ΠΕΡΙΒΑΛΛΟΝ**

Προκειμένου να αποφευχθούν ζημιές κατά τη μεταφορά, το εργαλείο πρέπει να παραδίδεται σε στερεά συσκευασία. Η συσκευασία καθώς και η μονάδα και τα εξαρτήματα είναι κατασκευασμένα από ανακυκλώσιμα υλικά και μπορούν να απορριφθούν αναλόγως. Τα πλαστικά εξαρτήματα του εργαλείου φέρουν σήμανση ανάλογα με το υλικό τους, γεγονός που καθιστά δυνατή την απομάκρυνση φίλικών προς το περιβάλλον και διαφοροποιημένων λόγω των διαθέσιμων εγκαταστάσεων συλλογής.

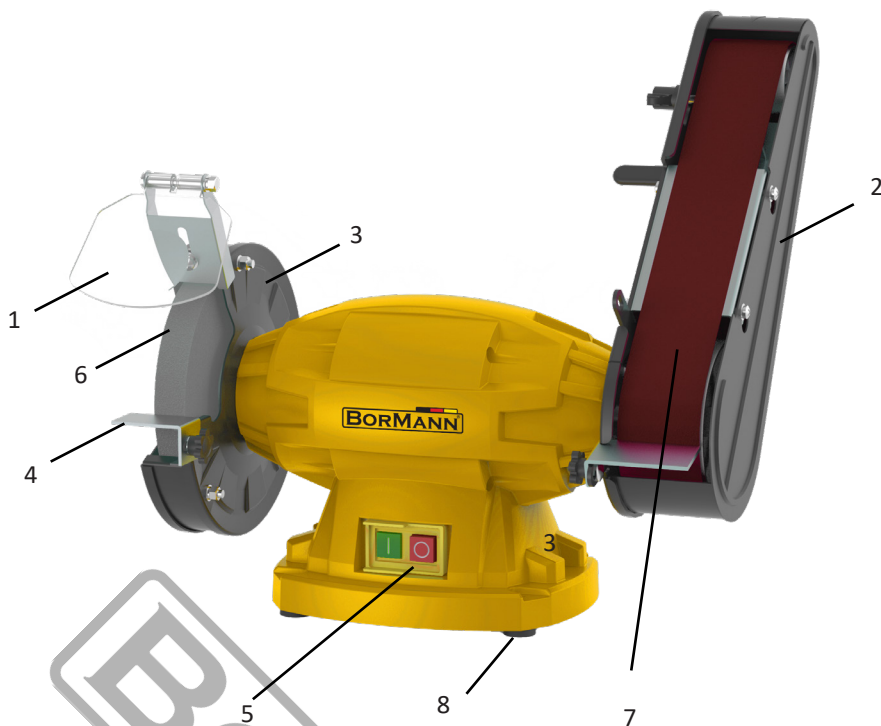
**Μόνο για χώρες της Ευρωπαϊκής Ένωσης**

Μην πετάτε τα ηλεκτρικά εργαλεία μαζί με τα οικιακά απορρίμματα!

Σύμφωνα με την Ευρωπαϊκή Οδηγία 2002/96/ΕΚ για τα απόβλητα ηλεκτρικού και ηλεκτρονικού εξοπλισμού και την εφαρμογή της σύμφωνα με την εθνική νομοθεσία, τα ηλεκτρικά εργαλεία που έχουν φτάσει στο τέλος της ζωής τους πρέπει να συλλέγονται χωριστά και να επιστρέφονται σε μια περιβαλλοντικά συμβατή εγκατάσταση ανακύκλωσης.







DONNÉES TECHNIQUES - DATI TECNICI	
Modèle - Modello	BDT1520
Moteur - Motore	Induction - Induzione
Puissance - Potenza	250 W S1 en continu/continuo - 350 W S6 10% intermittent/intermittent
Taille des roues - Dimensioni della ruota	150 x 20 x 12,7 (mm)
Tension - Tensione	230 Volt
Fréquence - Frequenza	50 Hz
Vitesse de rotation - Velocità di rotazione	2980 RPM
Accessoires - Accessori	Ceinture/Cintura

1	Écran de sécurité pour les yeux	Parabrezza di sicurezza
2	Couverture de protection	Copertura di protezione
3	Garde	Guardia
4	Porte-outil/travail	Appoggio per utensili
5	Interrupteur ON/OFF	Interruttore ON/OFF
6	Roue	Ruota
7	Ceinture	Cintura
8	Support Orifice	Οπή στήριξης

Fig. D		
a	Axe	Asse
b	Bride	Flangia
c	Ecrou	Dado
d	Vis	Vite
e	Protection de roue	Protezione ruota

\* Le fabricant se réserve le droit d'apporter des modifications mineures à la conception et aux spécifications techniques des produits sans préavis, à moins que ces modifications n'affectent de manière significative les performances et la sécurité des produits. Les pièces décrites / illustrées dans les pages du manuel que vous tenez entre vos mains peuvent également concerner d'autres modèles de la gamme de produits du fabricant ayant des caractéristiques similaires et peuvent ne pas être incluses dans le produit que vous venez d'acquérir.

\* Pour garantir la sécurité et la fiabilité du produit et la validité de la garantie, tous les travaux de réparation, d'inspection, de réparation ou de remplacement, y compris l'entretien et les réglages spéciaux, doivent être effectués uniquement par des techniciens du service après-vente agréé du fabricant.

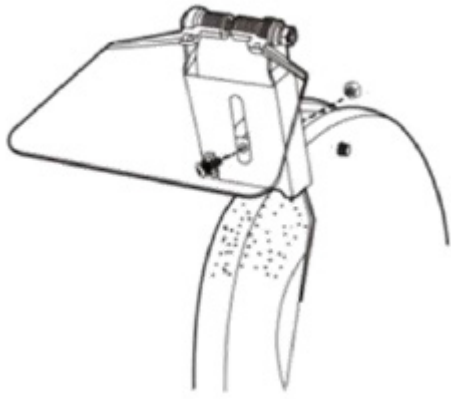
\* Utilisez toujours le produit avec l'équipement fourni. L'utilisation du produit avec un équipement non fourni peut entraîner des dysfonctionnements, voire des blessures graves ou la mort. Le fabricant et l'importateur ne sont pas responsables des blessures et des dommages résultant de l'utilisation d'un équipement non conforme.

\* Il produttore si riserva il diritto di apportare modifiche minori al design e alle specifiche tecniche del prodotto senza preavviso, a meno che tali modifiche non influiscano significativamente sulle prestazioni e sulla sicurezza dei prodotti. Le parti descritte/illustrate nelle pagine del manuale che avete tra le mani possono riguardare anche altri modelli della linea di prodotti del produttore con caratteristiche simili e potrebbero non essere incluse nel prodotto appena acquistato.

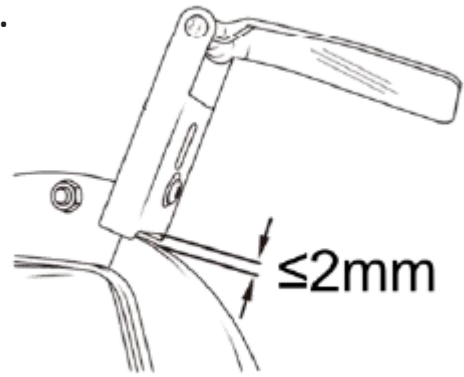
\* Per garantire la sicurezza e l'affidabilità del prodotto e la validità della garanzia, tutti gli interventi di riparazione, ispezione, riparazione o sostituzione, compresa la manutenzione e le regolazioni speciali, devono essere eseguiti esclusivamente da tecnici del servizio di assistenza autorizzato dal produttore.

\* Utilizzare sempre il prodotto con l'attrezzatura fornita. L'utilizzo del prodotto con apparecchiature non in dotazione può causare malfunzionamenti o addirittura lesioni gravi o morte. Il produttore e l'importatore non sono responsabili per lesioni e danni derivanti dall'uso di apparecchiature non conformi.

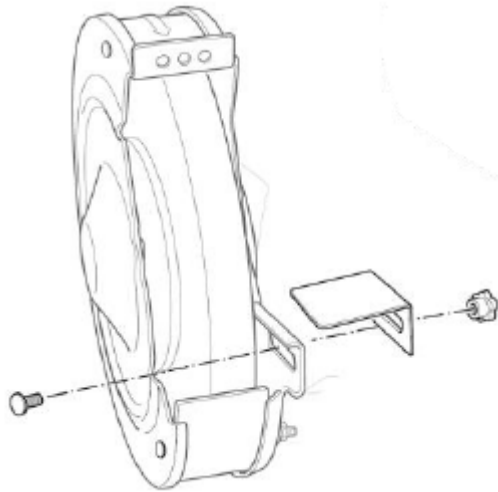
A.



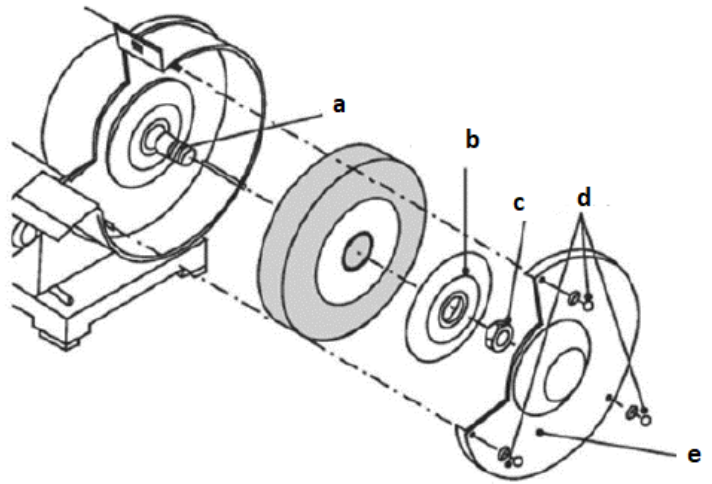
B.



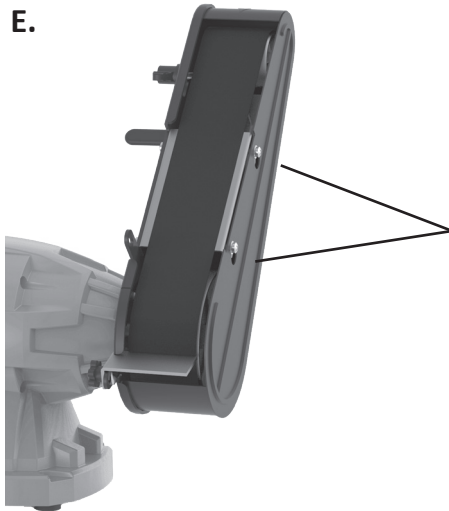
C.



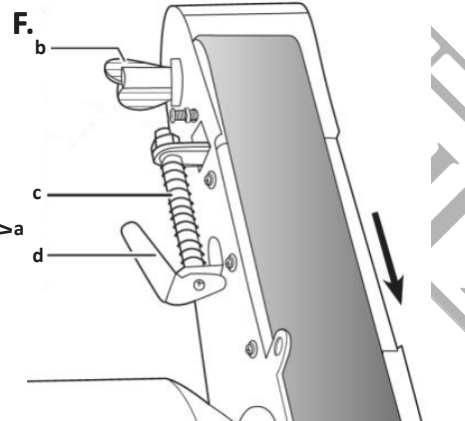
D.



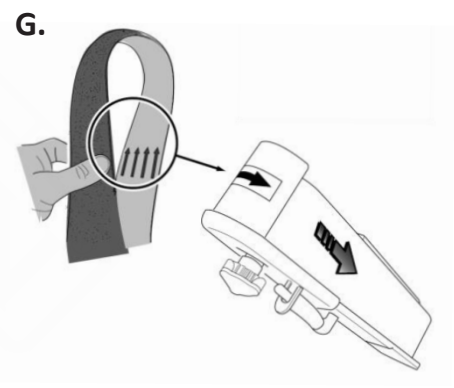
E.



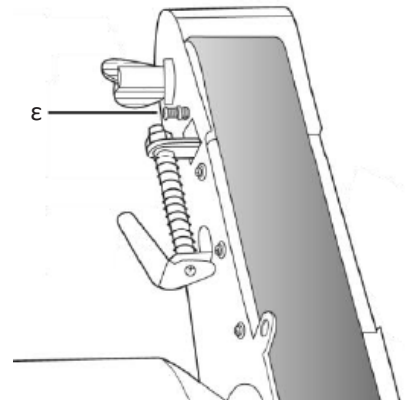
F.



G.



H.



## INSTRUCTIONS DE SÉCURITÉ

**DANGER !** Le non-respect de l'une des instructions suivantes peut entraîner des blessures graves pour les utilisateurs de l'outil et les personnes présentes ou des dommages à l'outil et aux biens !

**AVERTISSEMENT** - Lisez, comprenez et suivez toutes les instructions de ce manuel avant d'utiliser ou de faire fonctionner l'outil pour lequel il a été rédigé et fourni. Assurez-vous que toute personne qui va utiliser l'outil a lu et compris les instructions fournies.

- Portez toujours une protection oculaire conforme à une norme reconnue (CSA ou ANSI).
  - Portez un masque ou un respirateur lorsque des poussières sont générées.
  - Maintenez les spectateurs hors de la zone de travail lorsque vous utilisez l'outil.
  - **AVERTISSEMENT !** Assurez-vous toujours que la zone de travail est exempte de matériaux, liquides ou gaz inflammables, car l'utilisation de cet outil peut créer des étincelles.
  - Serrez toujours les écrous de la meule, fixez les vis et tous les dispositifs de serrage et de protection.
  - Lors de chaque démarrage, placez-vous d'un côté de la roue jumelée et activez-la en appuyant sur le bouton "ON". Laissez la roue jumelée tourner à plein régime pendant environ une minute pour permettre à tout défaut ou fissure non détecté d'apparaître.
  - Maintenez le(s) pare-chocs en place grâce à un bon fonctionnement.
  - Gardez vos mains éloignées de la (des) meule(s).
  - Ne touchez jamais l'arrière ou le dessous des meules.
  - Débranchez l'outil de l'alimentation électrique avant tout réglage ou entretien. Les meules continuent de tourner après l'arrêt de l'outil. Laissez toujours les meules s'arrêter complètement avant tout réglage ou entretien.
  - Pour éviter tout choc électrique, n'utilisez pas l'outil dans des conditions humides et ne l'exposez pas à la pluie.
  - Lorsque vous installez une nouvelle meule, vérifiez toujours que le régime maximal indiqué correspond ou dépasse celui indiqué sur la meuleuse. Vérifiez également que la nouvelle meule ne présente pas de dommages tels que des imperfections ou des fissures. Si la meule semble être dans un état satisfaisant, montez-la sur la meuleuse.
  - Lorsqu'une nouvelle meule a été installée, tenez-vous d'un côté de l'outil et appuyez sur "ON". Laissez l'outil fonctionner à pleine vitesse pendant environ une minute pour permettre à toute imperfection ou fissure non détectée d'apparaître.
  - N'utilisez que les accessoires recommandés par le fabricant pour le modèle en question.
  - N'essayez PAS de couper quoi que ce soit avec la meule.
  - Les outils mis à la terre doivent être branchés dans une prise correctement installée et mise à la terre conformément à tous les codes et règlements locaux. Ne retirez jamais la mise à la terre et ne la modifiez en aucune façon. N'utilisez pas de fiches d'adaptation (adaptateurs). En cas de doute sur la mise à la terre correcte de la prise, consultez un électricien qualifié.
  - Ne pas utiliser l'outil lorsque vous êtes fatigué ou sous l'influence de l'alcool ou de drogues.
  - Ne portez pas de vêtements amples ni de bijoux. Gardez vos cheveux attachés.
  - S'assurer que l'interrupteur d'alimentation est éteint avant de connecter l'outil.
- **AVERTISSEMENT !** Remplacez immédiatement la ou les meules si elles sont fissurées.
  - Ne serrez pas trop les écrous de l'arbre.
  - L'entretien de ces outils ne doit être effectué que par un personnel technique autorisé et qualifié.

### PRÉPARATION

Avant de commencer - Informations sur la sécurité

- Utilisez toujours une protection oculaire conforme à une norme reconnue (par exemple : ANSI Z87.1) - (CSA ou ANSI).
- Portez toujours un masque ou un respirateur lorsque de la poussière est générée.
- Maintenez les spectateurs hors de la zone de travail lorsque vous utilisez l'outil.
- **AVERTISSEMENT !** Assurez-vous toujours que la zone de travail est exempte de matériaux, liquides ou gaz inflammables, car l'utilisation de cet outil peut créer des étincelles.
- Ne portez pas de vêtements amples ni de bijoux. Gardez vos cheveux attachés.
- **AVERTISSEMENT !** Remplacez immédiatement la ou les meules qui sont fissurées. Ne serrez pas trop les écrous de l'arbre.
- Ne JAMAIS meuler avec le côté de la meule. Le meulage doit se faire uniquement avec la partie avant de la meule.
- N'appliquez JAMAIS de pression sur la pièce lorsque la meule est froide. La meule doit être chauffée en appliquant progressivement la pièce à usiner.
- N'utilisez JAMAIS la meuleuse sans les protections de la meule. Gardez les pouces et les doigts éloignés de la meule.

Avant de commencer - Protection contre l'électricité

En cas de dysfonctionnement ou de court-circuit, la mise à la terre fournit le chemin de moindre résistance pour l'électricité et réduit le risque de choc électrique pour l'opérateur. Cet outil est équipé d'un cordon électrique comportant un conducteur de mise à la terre et une fiche de mise à la terre. La fiche DOIT être branchée dans une prise correctement installée et mise à la terre conformément à TOUS les codes et règlements locaux.

**NE PAS MODIFIER LA FICHE FOURNIE.** Si elle ne rentre pas dans la prise, installez la prise appropriée avec l'aide d'un électricien.

Une connexion incorrecte du conducteur de mise à la terre de l'équipement peut entraîner un risque accru de choc électrique. Le conducteur à isolation verte (avec ou sans bandes jaunes) est le conducteur de mise à la terre de l'équipement. S'il est nécessaire de réparer ou de remplacer le cordon ou la fiche électrique, **NE PAS** connecter le conducteur de mise à la terre de l'équipement à une borne conductrice de courant.

Vérifiez auprès d'un électricien qualifié ou du personnel de service si vous ne comprenez pas entièrement les instructions de mise à la terre, ou si vous n'êtes pas sûr que l'équipement soit correctement mis à la terre.

## UTILISATION D'UN CÂBLE D'EXTENSION

N'utilisez que des rallonges à 3 conducteurs avec des fiches à 3 broches et des prises à 3 fiches qui acceptent la fiche de l'outil. Réparez ou remplacez immédiatement les câbles endommagés ou usés. Assurez-vous que la rallonge est correctement connectée et en bon état. N'utilisez pas de rallonges endommagées. Remplacez toujours une rallonge endommagée. Lorsque vous utilisez une rallonge, assurez-vous qu'elle est suffisante pour transporter le courant que l'outil va consommer. Un câble sous-dimensionné provoquera une chute de tension dans la ligne, entraînant une perte de puissance et une surchauffe. Avant de brancher le moteur sur la ligne électrique, assurez-vous que l'interrupteur est en position d'arrêt et que le courant correspond à celui indiqué sur la plaque signalétique du moteur. Le fonctionnement à une tension inférieure endommagera le moteur et n'est pas couvert par la garantie.

## DÉBALLAGE

1. Déballez tout le contenu de l'emballage et placez-le sur une surface plane et stable.
2. Retirez tous les matériaux d'emballage et les dispositifs de transport (le cas échéant).
3. Assurez-vous que tout le contenu de l'emballage est complet et ne présente aucun dommage. Si un composant est manquant ou si un composant a été endommagé pendant l'expédition, contactez votre revendeur local. L'utilisation d'un produit endommagé ou incomplet présente des risques de blessures et de dommages matériels.
4. Assurez-vous que vous disposez de toutes les pièces et de tous les outils nécessaires au montage et au fonctionnement. Cela inclut l'équipement de protection individuelle approprié.

## PRÉPARATION DE LA MEULEUSE D'ÉTABLI

Fixation de la meuleuse d'établi.

**AVERTISSEMENT :** N'utilisez pas la meuleuse d'établi si elle n'a pas été préalablement installée en toute sécurité sur un établi approprié.

Placez la machine sur un établi ou un support d'outils stable et de niveau et assurez-vous qu'elle est correctement fixée. L'avant de la machine doit être facilement accessible après sa fixation. L'alimentation électrique doit être située à une distance maximale de 100 à 150 cm du point de fixation de la machine.

Montage de l'écran de protection en verre.

**AVERTISSEMENT :** N'utilisez jamais la meuleuse d'établi si le verre de protection n'a pas été installé au préalable.

1. Alignez la fente du bras du verre de protection avec la fente située dans la partie supérieure de la protection de la meuleuse de table et procédez à la fixation à l'aide d'une vis et d'un écrou.
2. Veillez à ce que l'espace entre le bras du verre de protection et la roue ne soit pas supérieur à 2 mm (Fig. A, B).

Montage de la surface d'appui de la pièce à usiner.

La surface d'appui de la pièce doit être installée de telle sorte que l'écart entre la roue et la surface d'appui ne dépasse pas 2 mm.

1. Placez la surface d'appui de la pièce contre le rail de la protection des roues. Assurez-vous que la surface d'appui est "orientée" dans la bonne direction. Le coin incurvé doit être "orienté" dans le sens opposé à la roue.
2. Faites passer la vis à travers la fente du rail et la surface de montage.
3. Placez la rainure et la rondelle sur l'extrémité de la vis de l'autre côté.
4. Fixez la vis à l'aide du bouton (Fig. C)

Installation de la roue gauche

**AVERTISSEMENT :** Avant d'effectuer tout travail d'installation ou de remplacement des roues, assurez-vous que la machine est éteinte et débranchée de l'alimentation électrique.

1. Retirez les vis de la protection de la roue, puis retirez-la.
  2. Retirez l'écrou de l'essieu à l'aide d'une clé appropriée. L'écrou de l'essieu droit a un filetage dans le sens des aiguilles d'une montre, tandis que l'écrou de l'essieu gauche a un filetage dans le sens inverse des aiguilles d'une montre.
- fil.
3. Retirez le joint extérieur de l'arbre.
  4. Placez la roue sur l'arbre et, une fois qu'elle est en place, faites-la tourner à la main pour vous assurer qu'elle se déplace librement et qu'elle n'entre pas en contact avec un objet quelconque.
- surface.
5. Réinstallez le joint, l'écrou et le pare-chocs.
  6. Connectez la machine à l'alimentation électrique, mettez-la en marche et laissez la roue tourner à vide pendant une minute à la vitesse maximale pour vous assurer qu'il n'y a pas de fissures. (Fig. D)

**AVERTISSEMENT :** Avant de pouvoir desserrer/serrer l'écrou de l'arbre, maintenez l'arbre en place en utilisant une deuxième clé sur l'écrou de la courroie.

## Installation/remplacement de la courroie

**AVERTISSEMENT :** Avant d'effectuer tout travail d'installation ou de remplacement de la courroie, assurez-vous que la machine est éteinte et débranchée de l'alimentation électrique.

1. Dévissez les 2 vis (a) sur le côté du protège-bande et retirez le protège-bande (voir Figure E).
2. Desserrez la vis de retenue (b) du rouleau de bande (voir Figure F).
3. Poussez le levier de tension de la courroie (d) vers le bas pour relâcher la tension du ressort (c) et retirer la courroie (Figure F,G).
4. Faites glisser la nouvelle bande sur les deux rouleaux, en veillant à ce qu'elle soit appliquée uniformément sur toute sa largeur. Veillez à ce que la flèche située à l'intérieur de la bande soit orientée dans le sens du déplacement de la bande (voir figure G).
5. Poussez le rouleau supérieur vers le haut et, tout en le maintenant, poussez le levier de tension de la courroie vers le haut.
6. Resserrez la vis de retenue du rouleau de bande.
7. Réglez la trajectoire de la bande comme décrit dans la sous-section suivante.
8. Réinstallez le garde-courroie et fixez-le en réinstallant les 2 vis sur le côté du garde.

### Réglage de la trajectoire de la courroie

**AVERTISSEMENT :**

- Si la trajectoire de la courroie est mal réglée, la machine et la courroie peuvent être endommagées.
- N'utilisez pas la machine si le ruban n'est pas correctement réglé.
- N'utilisez pas la machine si la courroie ne fonctionne pas correctement. Dans certains cas, il faut plusieurs tentatives pour régler la courroie. Il peut être nécessaire de repositionner la courroie sur les rouleaux et de répéter le processus de réglage jusqu'à ce que la courroie soit placée correctement.

1. Faites tourner la courroie à la main et vérifiez que la courroie passe par le centre des deux rouleaux.
2. Réglez le trajet de la bande en tournant la vis de réglage du trajet de la bande (ε) (figure H). En tournant la vis de réglage du chemin de la bande dans le sens des aiguilles d'une montre, on règle le chemin vers la gauche. En tournant la vis de réglage de la trajectoire de la bande dans le sens inverse des aiguilles d'une montre, on règle la trajectoire vers la droite.

## OPERATION

### CONNEXION À L'ALIMENTATION ÉLECTRIQUE

**AVERTISSEMENT :** Vérifiez la tension. La tension de l'alimentation électrique doit correspondre aux exigences de tension de l'outil telles qu'elles sont indiquées sur l'étiquette signalétique de l'outil. **AVERTISSEMENT :** Avant de brancher l'outil à l'alimentation électrique, assurez-vous que l'interrupteur MARCHE/ARRÊT est en position d'arrêt.

Branchez la machine sur un réseau électrique de 230 V ~ 50 Hz correctement mis à la terre et dont la prise est compatible avec la fiche de la machine.

### MISE EN MARCHE/ARRÊT

Avant de brancher la machine à l'alimentation électrique, faites tourner la roue et la courroie à la main pour vous assurer qu'elles tournent librement. - Pour mettre la machine en marche, placez l'interrupteur MARCHE/ARRÊT sur la position "I".

- Pour éteindre la machine, mettez l'interrupteur ON/OFF sur la position 'O'.

Remarque importante : Deux options de fonctionnement peuvent être sélectionnées : 250 W S1 continu / 350 W S6 10 %. Le mode de fonctionnement S6 10 % est équivalent à un service continu avec une charge intermittente. Afin d'éviter une surchauffe inadmissible du moteur, ce dernier ne doit être entraîné que pendant 10 % du temps de fonctionnement avec la puissance nominale stipulée.

## INSTRUCTIONS GÉNÉRALES

1. Avant chaque utilisation, vérifiez la roue et la courroie et assurez-vous qu'elles ne sont pas endommagées.
2. Après avoir mis la machine en marche, attendez qu'elle atteigne sa vitesse maximale avant de commencer votre travail.
3. Le verre de sécurité est réglable et doit être positionné de manière à offrir à l'opérateur un champ de vision clair à travers celui-ci.
4. Maintenez la pièce contre la surface d'appui et faites-la avancer doucement et régulièrement dans la roue.
5. Un réglage correct des surfaces de support de la pièce à usiner permettra d'obtenir l'angle de travail correct pour un meulage efficace. Le diamètre de la meule étant sujet à l'usure, vous devrez réajuster la position de la surface d'appui.

Fixez la meuleuse d'établi sur une surface horizontale et stable avant de l'utiliser. En plaçant la meuleuse d'établi vers l'avant de l'établi, il est plus facile de manipuler les outils longs.

Si possible, prévoyez un espace suffisant sur le côté gauche de la machine pour permettre un accès facile à la roue.

Une autre méthode consiste à fixer la machine sur une feuille de contreplaqué, qui pourrait ensuite être maintenue en place par des moyens appropriés sur

un banc ou une table pour donner à la meuleuse d'établi la position la plus commode ; avant d'utiliser la machine, assurez-vous que le verre de protection est positionné aussi près que possible de la surface de la meule pour empêcher les étincelles de s'échapper.

Il est judicieux de porter des lunettes de sécurité lors de l'utilisation de la meuleuse d'établi. La machine peut être utilisée pour meuler des profils ou pratiquement n'importe quel outil de coupe, ciseaux, forets, etc. Il faut toutefois veiller à ne pas meuler un outil trop fort ou trop longtemps pour éviter toute surchauffe.



## ENTRETIEN ET NETTOYAGE

AVERTISSEMENT : Avant d'effectuer toute opération d'entretien, de nettoyage ou de réparation sur la machine, éteignez-la, débranchez-la de l'alimentation électrique et attendez quelques minutes pour qu'elle refroidisse.

AVERTISSEMENT : Effectuez uniquement les travaux d'entretien et de réparation spécifiés dans ce manuel. Toute autre intervention doit être effectuée par un centre d'assistance technique agréé.

1. Gardez la machine propre. Retirez tout débris après chaque utilisation et avant de la ranger.
2. Un nettoyage régulier et approprié permet de garantir la sécurité et de prolonger la durée de vie de la machine.
3. Inspectez la machine avant chaque utilisation pour détecter les pièces usées ou endommagées. N'utilisez pas la machine si vous trouvez un composant cassé ou usé.
4. Nettoyez la machine à l'aide d'un chiffon sec. Utilisez une brosse pour les zones difficiles d'accès. Évitez d'utiliser des solvants pour nettoyer les pièces en plastique. La plupart des pièces en plastique sont susceptibles d'être endommagées par l'utilisation de solvants.
5. Vérifiez l'absence de pièces usées ou endommagées. Remplacez les pièces usées si nécessaire ou contactez un centre d'assistance technique agréé pour effectuer les réparations nécessaires.
6. Tous les roulements de la machine ont été correctement lubrifiés pour la durée de vie de la machine dans des conditions de fonctionnement normales et aucune autre lubrification n'est donc nécessaire.
7. Si le câble d'alimentation est endommagé de quelque manière que ce soit, veillez à le faire remplacer immédiatement par un centre d'assistance technique agréé avant de réutiliser la machine.

### Maintenance requise

- a. Vérifiez le câble.
- b. Vérifiez la roue pour tout signe d'usure.
- c. Vérifier l'alignement et la connexion des pièces mobiles.
- d. Réparation des meules abrasives.
- e. Remplacement des meules abrasives.
- f. Nettoyez et évacuez la poussière des pièces du moteur et de la roue.

### Fréquence

- Avant chaque utilisation.
- Avant chaque utilisation.
- Avant chaque utilisation.
- Chaque fois que cela est nécessaire.
- Chaque fois que cela est nécessaire.
- Chaque fois que cela est nécessaire.

L'entretien, comme mentionné ci-dessus, en plus de l'entretien recommandé sur ces outils, ne doit être effectué que par un technicien/ personnel autorisé et qualifié.

## STOCKAGE ET TRANSPORT

1. Nettoyez la machine comme décrit ci-dessus.
2. Stockez la machine et ses composants dans leur emballage d'origine, dans un endroit sec et à l'abri du gel. La température idéale de stockage est comprise entre 10°C et 30°C.
3. Rangez toujours la machine dans un endroit qui n'est pas accessible aux enfants.
4. Éteignez la machine et débranchez-la de l'alimentation électrique avant d'essayer de la transporter où que ce soit.
5. Installez les protections de transport, si elles sont fournies.
6. Protégez la machine contre les chocs violents et les vibrations qui peuvent se produire pendant le transport par un véhicule.
7. Fixez correctement la machine pour l'empêcher de glisser et/ou de tomber.



DÉPANNAGE		
Problèmes possibles	Cause possible	Remède
Le moteur ne démarre pas.	<ol style="list-style-type: none"> <li>1. Basse tension.</li> <li>2. Circuit ouvert dans le moteur ou connexions desserrées.</li> <li>3. Défaut dans le fusible ou le découpleur.</li> </ol>	<ol style="list-style-type: none"> <li>1. Vérifiez la tension de la source d'alimentation.</li> <li>2. Vérifiez l'absence de connexions lâches ou ouvertes (service requis).</li> <li>3. Court-circuit (service requis).</li> <li>4. Incompatibilité entre l'outil et le circuit, le fusible ou la déconnexion.</li> </ol>
The moteur ne démarre pas - les fusibles et les sectionneurs sont déclenchés...	<ol style="list-style-type: none"> <li>1. Court-circuit dans la ligne, le câble ou la prise.</li> <li>2. Court-circuit dans le moteur ou connexions desserrées.</li> <li>3. Fusibles ou sectionneurs défectueux dans la ligne de distribution.</li> </ol>	<ol style="list-style-type: none"> <li>1. Inspectez le câble et/ou la fiche pour vérifier que l'isolation n'est pas endommagée et que les conducteurs ne sont pas court-circuités.</li> <li>2. Inspectez toutes les connexions au moteur pour vérifier que les bornes ne sont pas desserrées ou court-circuitées et/ou que l'isolation n'est pas endommagée.</li> <li>3. Installez des fusibles ou des sectionneurs appropriés ou remplacez le matériel pour qu'il corresponde à un circuit de taille adéquate.</li> </ol>
Le moteur surchauffe	<ol style="list-style-type: none"> <li>1. Le moteur a reçu une charge supérieure au maximum possible.</li> <li>2. Le câble d'extension est trop long et son poids est insuffisant.</li> </ol>	<ol style="list-style-type: none"> <li>1. Réduisez la charge du moteur.</li> <li>2. Utilisez une rallonge de poids et de longueur appropriés ou branchez-la directement sur la prise.</li> </ol>
Le moteur s'arrête (ce qui fait sauter les fusibles ou coupe le circuit).	<ol style="list-style-type: none"> <li>1. Court-circuit dans le moteur ou connexions lâches.</li> <li>2. Basse tension.</li> <li>3. Fusibles ou sectionneurs défectueux sur la ligne.</li> <li>4. Surcharge du moteur.</li> </ol>	<ol style="list-style-type: none"> <li>1. Inspectez les connexions au moteur pour vérifier que les bornes ne sont pas desserrées ou court-circuitées ou que l'isolation n'est pas usée (service requis).</li> <li>2. Corrigez les causes de la basse tension (par exemple, longueur inadéquate du câble de rallonge et/ou poids du câble de rallonge).</li> <li>3. Installez des fusibles ou des disjoncteurs appropriés ou connectez l'outil à un circuit approprié, associé à un fusible ou un sectionneur adéquat.</li> <li>4. Réduisez la charge sur le moteur.</li> </ol>
Le moteur ralentit pendant le fonctionnement.	La vitesse d'avance est très élevée.	Réduire la vitesse à laquelle la pièce est introduite dans la zone de travail de l'outil (meule abrasive).
La pièce à usiner a une surface ondulée.	<ol style="list-style-type: none"> <li>1. La machine vibre.</li> <li>2. La pièce n'est pas maintenue en place.</li> <li>3. La partie avant de la roue est inégale.</li> <li>4. La roue est trop dure.</li> </ol>	<ol style="list-style-type: none"> <li>1. Veillez à ce que la machine soit solidement fixée sur un support solide.</li> <li>2. Utilisez un dispositif de maintien de la pièce.</li> <li>3. Restructurez la roue abrasive avec l'outil approprié.</li> <li>4. Utilisez une meule plus douce ou réduisez la vitesse d'avance.</li> </ol>
Les lignes présentées dans le sur la surface de la pièce.	<ol style="list-style-type: none"> <li>1. Impuretés sur la surface de la roue.</li> <li>2. La pièce n'est pas maintenue fermement.</li> </ol>	<ol style="list-style-type: none"> <li>1. Restructurer la roue.</li> <li>2. Utilisez un dispositif de support pour la stabilité de la pièce à travailler.</li> </ol>
Marques ou fissures sur la pièce à usiner.	<ol style="list-style-type: none"> <li>1. Type de roue abrasive inapproprié.</li> <li>2. Vitesse d'avance incorrecte.</li> <li>3. Liquide de refroidissement requis.</li> </ol>	<ol style="list-style-type: none"> <li>1. Essayez des roues avec une connexion plus souple ou des copeaux d'acier plus pointus.</li> <li>2. Réduire la vitesse à laquelle la pièce est amenée à la roue.</li> <li>3. Ajoutez du liquide de refroidissement.</li> </ol>
La roue s'émousse très vite, les éclats d'acier tombent.	<ol style="list-style-type: none"> <li>1. La vitesse d'avance est très agressive.</li> <li>2. La roue est souple.</li> <li>3. Le diamètre de la roue est trop petit.</li> <li>4. Mauvaise réparation de la meule abrasive.</li> <li>5. Connexion de roue défectueuse.</li> </ol>	<ol style="list-style-type: none"> <li>1 Réduire la vitesse d'avance de la pièce sur la roue abrasive.</li> <li>2. Choisissez une meule abrasive dont le matériau est plus dur.</li> <li>3. Remplacez la roue.</li> <li>4. Réparez la roue.</li> <li>5. L'UTILISATION UTILISATION INTERDITE - DANGER !</li> </ol> <p>Retournez la roue au point d'achat.</p>

<p>La meule s'encrasse/se colmate et des traces de brûlure apparaissent sur la pièce.</p>	<ol style="list-style-type: none"><li>1. La roue est trop dure.</li><li>2. La vitesse d'avance est trop faible.</li><li>3. Mauvaise réparation des roues.</li><li>4. Liquide de refroidissement requis.</li></ol>	<ol style="list-style-type: none"><li>1. Choisissez une meule dont la liaison avec le matériau est plus souple.</li><li>2. Augmenter la vitesse d'avance de la pièce vers la meule.</li><li>3. Réparez la roue.</li><li>4. Insérez le liquide de refroidissement.</li></ol>
---	---	---



## Élimination environnementale

Afin d'éviter tout dommage pendant le transport, l'outil doit être livré dans un emballage solide. L'emballage ainsi que l'appareil et les accessoires sont fabriqués en matériaux recyclables et peuvent être éliminés en conséquence. Les pièces en plastique de l'outil sont marquées en fonction de leur matériau, ce qui permet de les éliminer de manière écologique et différenciée grâce aux dispositifs de collecte disponibles.



### Uniquement pour les pays de l'UE

Ne pas jeter les outils électriques avec les déchets ménagers !

Conformément à la directive européenne 2002/96/CE relative aux déchets d'équipements électriques et électroniques et à sa mise en œuvre selon la législation nationale, les outils électriques en fin de vie doivent être collectés séparément et remis à un centre de recyclage respectueux de l'environnement.

**BORMANN**®

## ISTRUZIONI DI SICUREZZA

**PERICOLO!** La mancata osservanza di una delle seguenti istruzioni può provocare gravi lesioni personali agli utenti dell'utensile e agli astanti o danni all'utensile e alle cose!

**AVVERTENZA** - Leggere, comprendere e seguire tutte le istruzioni contenute nel presente manuale prima di utilizzare o far funzionare l'utensile per il quale è stato redatto e fornito. Assicurarsi che tutti coloro che utilizzeranno l'utensile abbiano letto e compreso le istruzioni fornite.

- Indossare sempre una protezione per gli occhi conforme a uno standard riconosciuto (CSA o ANSI).
  - Indossare una maschera o un respiratore quando si genera polvere.
  - Tenere gli astanti fuori dall'area di lavoro durante l'utilizzo dell'utensile.
  - **AVVERTENZA!** Assicurarsi sempre che l'area di lavoro sia priva di materiali, liquidi o gas infiammabili, poiché l'uso di questo utensile può creare scintille.
  - Serrare i dadi della mola, fissare le viti e tutti i morsetti e le protezioni.
  - Durante ogni avvio, posizionarsi su un lato della ruota gemella e attivarla premendo il pulsante "ON". Lasciare che la ruota gemella funzioni a piena velocità per circa un minuto per consentire la comparsa di eventuali difetti o crepe non rilevati.
  - Mantenere i paraurti in posizione con un funzionamento corretto.
  - Tenere le mani lontane dalle mole.
  - Non toccare mai la parte posteriore o inferiore delle mole.
  - Prima di qualsiasi regolazione o manutenzione, scollegare l'utensile dall'alimentazione. Le mole continuano a ruotare anche dopo lo spegnimento dell'utensile. Prima di qualsiasi regolazione o manutenzione, lasciare sempre che le mole si fermino completamente.
  - Per evitare scosse elettriche, NON utilizzare l'utensile in condizioni di umidità e non esporlo alla pioggia.
  - Quando si installa una nuova mola, verificare sempre che il numero di giri massimo indicato corrisponda o superi quello indicato sulla smerigliatrice. Controllare inoltre che la nuova mola non presenti danni, come imperfezioni o crepe. Se la mola sembra in condizioni soddisfacenti, montarla sulla smerigliatrice.
  - Dopo aver montato una nuova mola, posizionarsi su un lato dell'utensile e premere "ON". Lasciare che l'utensile funzioni alla massima velocità per circa un minuto per consentire la comparsa di eventuali imperfezioni o crepe non rilevate.
  - Utilizzare solo gli accessori raccomandati dal produttore per il modello in questione.
  - NON tentare di tagliare nulla con la mola.
  - Gli utensili con messa a terra devono essere collegati a una presa di corrente correttamente installata e dotata di messa a terra in conformità a tutti i codici e le normative locali. Non rimuovere mai la messa a terra e non modificarla in alcun modo. Non utilizzare spine adattatrici (adattatori). In caso di dubbi sulla corretta messa a terra della presa, consultare un elettricista qualificato.
  - Non utilizzare lo strumento quando si è stanchi o sotto l'effetto di alcol o droghe.
  - Non indossare abiti larghi o gioielli. Tenere i capelli legati.
  - Assicurarsi che l'interruttore di alimentazione sia spento prima di collegare l'utensile.
- **ATTENZIONE!** Sostituire immediatamente le mole se si incrinano.
  - Non serrare eccessivamente i dadi dell'albero.
  - La manutenzione di questi strumenti deve essere eseguita solo da personale tecnico autorizzato e qualificato.

### PREPARAZIONE

Prima di iniziare - Informazioni sulla sicurezza

- Utilizzare sempre protezioni per gli occhi conformi a uno standard riconosciuto (ad esempio: ANSI Z87.1) - (CSA o ANSI).
- Indossare sempre una maschera o un respiratore quando si genera polvere.
- Tenere gli astanti fuori dall'area di lavoro durante l'utilizzo dell'utensile.
- **AVVERTENZA!** Assicurarsi sempre che l'area di lavoro sia priva di materiali, liquidi o gas infiammabili, poiché l'uso di questo utensile può creare scintille.
- Non indossare abiti larghi o gioielli. Tenere i capelli legati.
- **ATTENZIONE!** Sostituire immediatamente le mole incrinatesi. Non serrare eccessivamente i dadi dell'albero.
- Non smerigliare MAI con la parte laterale della ruota. La smerigliatura deve avvenire solo con la parte anteriore della ruota.
- Non esercitare MAI una pressione sul pezzo quando la mola è fredda. La mola deve essere riscaldata applicando gradualmente il pezzo in lavorazione.
- Non utilizzare MAI la rettificatrice senza le protezioni della mola. Tenere i pollici e le dita lontano dalla mola.

Prima di iniziare - Protezione dalla corrente elettrica

In caso di malfunzionamento o di cortocircuito, la messa a terra rappresenta il percorso di minor resistenza per l'elettricità e riduce il rischio di scosse elettriche per l'operatore. Questo strumento è dotato di un cavo elettrico con un conduttore di messa a terra e una spina di messa a terra. La spina DEVE essere inserita in una presa di corrente correttamente installata e dotata di messa a terra, in conformità con TUTTI i codici e le normative locali.

**NON MODIFICARE LA SPINA IN DOTAZIONE.** Se non si adatta alla presa, installare la presa appropriata con l'assistenza di un elettricista.

Il collegamento non corretto del conduttore di messa a terra dell'apparecchiatura può aumentare il rischio di scosse elettriche. Il conduttore con isolamento verde (con o senza strisce gialle) è il conduttore di messa a terra dell'apparecchiatura. Se è necessario riparare o sostituire il cavo elettrico o la spina, NON collegare il conduttore di messa a terra dell'apparecchiatura a un terminale portatore di corrente.

Se non si comprendono appieno le istruzioni per la messa a terra o se non si è sicuri che l'apparecchiatura sia correttamente collegata a terra, rivolgersi a un elettricista qualificato o al personale di assistenza.

## UTILIZZO DEL CAVO DI PROLUNGA

Utilizzare solo prolunghe a 3 conduttori con spine a 3 pin e prese a 3 che accettano la spina dell'utensile. Riparare o sostituire immediatamente i cavi danneggiati o usurati. Assicurarsi che la prolunga sia collegata correttamente e in buone condizioni. Non utilizzare prolunghe danneggiate. Sostituire sempre una prolunga danneggiata. Quando si utilizza una prolunga, accertarsi che sia sufficiente a sopportare la corrente assorbita dall'utensile. Un cavo sottodimensionato provoca una caduta di tensione nella linea, con conseguente perdita di potenza e surriscaldamento. Prima di collegare il motore alla linea elettrica, accertarsi che l'interruttore sia in posizione OFF e che la corrente corrisponda a quella indicata sulla targhetta del motore. Il funzionamento a una tensione inferiore danneggia il motore e non è coperto dalla garanzia.

## DISIMBALLAGGIO

1. Disimballare tutto il contenuto della confezione e posizionarlo su una superficie piana e stabile.
2. Rimuovere tutti i materiali di imballaggio e gli eventuali dispositivi di trasporto.
3. Assicurarsi che tutto il contenuto della confezione sia completo e privo di danni. Se un componente manca o è stato danneggiato durante la spedizione, contattare il rivenditore locale. L'uso di un prodotto danneggiato o incompleto comporta il rischio di lesioni e danni materiali.
4. Assicurarsi di avere a disposizione tutte le parti e gli strumenti necessari per il montaggio e il funzionamento. Questo include un adeguato equipaggiamento di protezione personale.

## PREPARAZIONE DELLA SMERIGLIATRICE DA BANCO

Fissaggio della smerigliatrice da banco.

**AVVERTENZA:** non utilizzare la smerigliatrice da banco se prima non è stata installata in modo sicuro su un banco da lavoro adeguato.

Posizionare la macchina su un banco da lavoro o un cavalletto per utensili stabile e in piano e assicurarsi che sia fissata correttamente. La parte anteriore della macchina deve essere facilmente accessibile dopo il fissaggio. L'alimentazione elettrica deve essere collocata a una distanza massima di 100 - 150 cm dal punto di fissaggio della macchina.

Montaggio del paraluce in vetro protettivo.

**AVVERTENZA:** Non utilizzare mai la smerigliatrice da banco se prima non è stato installato il vetro di protezione.

1. Allineare la fessura del braccio del vetro di protezione con la fessura situata nella parte superiore della protezione della smerigliatrice da banco e procedere al fissaggio con una vite e un dado.
2. Assicurarsi che lo spazio tra il braccio del vetro di protezione e la ruota non superi i 2 mm (Fig. A, B).

Montaggio della superficie di appoggio del pezzo da lavorare.

La superficie di appoggio del pezzo deve essere installata in modo che lo spazio tra la ruota e la superficie di appoggio non superi i 2 mm.

1. Posizionare la superficie di appoggio del pezzo contro la guida del pararuota. Assicurarsi che la superficie di appoggio sia "rivolta" nella direzione corretta. L'angolo curvo deve essere "rivolto" lontano dalla ruota.
2. Far passare la vite attraverso la fessura della guida e la superficie di montaggio.
3. Posizionare la scanalatura e la rondella sull'estremità della vite sull'altro lato.
4. Fissare la vite con il pomello (Fig. C)

Installazione della ruota sinistra

**AVVERTENZA:** prima di eseguire qualsiasi operazione di installazione o sostituzione delle ruote, accertarsi che la macchina sia spenta e scollegata dall'alimentazione elettrica.

1. Rimuovere le viti dalla protezione della ruota ed estrarla.
  2. Rimuovere il dado dall'assale con una chiave adatta. Il dado dell'asse destro ha una filettatura in senso orario, mentre quello dell'asse sinistro ha una filettatura in senso antiorario.
- filo.
3. Rimuovere la guarnizione esterna dall'albero.
  4. Collocare la ruota sull'albero e, una volta posizionata, ruotarla manualmente per verificare che si muova liberamente e non entri in contatto con alcuno dei suoi componenti.
- superficie.
5. Reinstallare la guarnizione, il dado e il paraurti.
  6. Collegare la macchina all'alimentazione, accenderla e lasciare che la ruota ruoti scarica per un minuto alla massima velocità per verificare che non vi siano crepe. (Fig. D)

**AVVERTENZA:** prima di allentare/stringere il dado dell'albero, tenere fermo l'albero con una seconda chiave sul dado della cinghia.

## Installazione/sostituzione della cinghia

**AVVERTENZA:** Prima di eseguire qualsiasi operazione di installazione o sostituzione del nastro, accertarsi che la macchina sia spenta e scollegata dall'alimentazione elettrica.

1. Svitare le 2 viti (a) sul lato della protezione del nastro e rimuovere la protezione del nastro (vedere Figura E).
2. Allentare la vite di fissaggio (b) del rullo del nastro (vedere Figura F).
3. Spingere la leva di tensione della cinghia (d) verso il basso per allentare la tensione della molla (c) e rimuovere la cinghia (Figura F,G).
4. Far scorrere il nuovo nastro sui due rulli, assicurandosi che sia applicato uniformemente su tutta la larghezza. Assicurarsi che la freccia all'interno del nastro sia rivolta nella direzione in cui si muoverà il nastro (vedere Figura G).
5. Spingere il rullo superiore verso l'alto e, tenendolo fermo, spingere la leva di tensione della cinghia verso l'alto.
6. Serrare nuovamente la vite di fissaggio del rullo del nastro.
7. Regolare il percorso del nastro come descritto nella sottosezione successiva.
8. Reinstallare la protezione della cinghia e fissarla reinstallando le 2 viti sul lato della protezione.

### Regolazione del percorso del nastro

**AVVERTENZA:**

- Se il percorso del nastro non è impostato correttamente, si possono verificare danni alla macchina e al nastro.
- Non utilizzare la macchina se il nastro non è regolato correttamente.
- Non utilizzare la macchina se la cinghia non funziona correttamente. In alcuni casi, possono essere necessari diversi tentativi per regolare il nastro. Potrebbe essere necessario riposizionare il nastro sui rulli e ripetere il processo di regolazione finché il nastro non viene posizionato correttamente.

1. Ruotare il nastro a mano e verificare che il nastro passi attraverso il centro di entrambi i rulli.
2. Regolare il percorso del nastro ruotando la vite di regolazione del percorso del nastro (e) (Fig. H). Ruotando la vite di regolazione del percorso del nastro in senso orario, il percorso viene regolato verso sinistra. Ruotando la vite di regolazione del percorso del nastro in senso antiorario, il percorso viene regolato verso destra.

## FUNZIONAMENTO

### COLLEGAMENTO ALL'ALIMENTAZIONE

**AVVERTENZA:** controllare la tensione. La tensione dell'alimentazione deve corrispondere ai requisiti di tensione dell'utensile, come indicato sulla targhetta dell'utensile stesso. **AVVERTENZA:** prima di collegare la macchina all'alimentazione, accertarsi che l'interruttore ON/OFF sia in posizione off.

Collegare l'apparecchio a un'alimentazione elettrica a 230 V ~ 50 Hz adeguatamente messa a terra, la cui presa sia compatibile con la spina dell'apparecchio. **ACCENSIONE/SPEGNIMENTO**

Prima di collegare la macchina all'alimentazione, ruotare manualmente la ruota e la cinghia per assicurarsi che ruotino liberamente.

- Per accendere la macchina, posizionare l'interruttore ON/OFF sulla posizione "I".
- Per spegnere la macchina, posizionare l'interruttore ON/OFF sulla posizione "O".

Nota importante: è possibile selezionare due opzioni di funzionamento: 250 W S1 continuo / 350 W S6 10 %. La modalità di funzionamento S6 10% equivale a un servizio continuo con carico intermittente. Per evitare un surriscaldamento inammissibile del motore, il motore deve essere azionato solo per il 10% del tempo di funzionamento con la potenza nominale stabilita.

## ISTRUZIONI GENERALI

1. Prima di ogni utilizzo, controllare la ruota e la cinghia e verificare che non siano danneggiate.
2. Dopo aver acceso la macchina, attendere che raggiunga la velocità massima prima di iniziare il lavoro.
3. Il vetro di sicurezza è regolabile e deve essere posizionato in modo da garantire all'operatore un campo visivo chiaro.
4. Tenere il pezzo in lavorazione contro la superficie di appoggio e introdurlo in modo fluido e uniforme nella ruota.
5. Una corretta regolazione delle superfici di appoggio del pezzo in lavorazione consentirà di ottenere l'angolo di lavoro corretto per una rettifica efficace. Poiché il diametro della mola è soggetto a usura, sarà necessario regolare nuovamente la posizione della superficie di appoggio.

Prima di utilizzare la smerigliatrice da banco, fissatela su una superficie orizzontale e stabile. Posizionando la smerigliatrice da banco verso l'estremità anteriore del banco, sarà più facile maneggiare utensili lunghi.

Se possibile, lasciare spazio sufficiente sul lato sinistro della macchina per consentire un facile accesso alla ruota.

Un metodo alternativo è quello di fissare la macchina a un foglio di compensato, che può essere tenuto in posizione con mezzi adeguati su un banco o un tavolo per dare alla smerigliatrice da banco la posizione più comoda; prima di usare la macchina, assicurarsi che il vetro di protezione sia posizionato il più vicino possibile alla superficie della ruota per evitare che le scintille sfuggano.

È buona norma utilizzare occhiali di sicurezza quando si utilizza la smerigliatrice da banco. La macchina può essere utilizzata per affilare profili o praticamente qualsiasi utensile da taglio, scalpelli, trapani, ecc. Tuttavia, è necessario prestare attenzione a non affilare un utensile troppo forte o troppo a lungo per evitare il surriscaldamento.

## MANUTENZIONE E PULIZIA

**AVVERTENZA:** prima di eseguire qualsiasi intervento di manutenzione, pulizia o riparazione sulla macchina, spegnere la macchina, scollegarla dall'alimentazione elettrica e attendere qualche minuto affinché si raffreddi.

**AVVERTENZA:** Eseguire solo gli interventi di manutenzione e riparazione indicati nel presente manuale. Qualsiasi altro intervento deve essere eseguito da un centro di assistenza tecnica autorizzato.

1. Mantenere la macchina pulita. Rimuovere i residui dopo ogni utilizzo e prima di riparla.
2. Una pulizia regolare e corretta contribuisce a garantire la sicurezza e a prolungare la durata della macchina.
3. Prima di ogni utilizzo, verificare che la macchina non presenti parti usurate o danneggiate. Non mettere in funzione la macchina se si trovano componenti rotti o usurati.
4. Pulire la macchina con un panno asciutto. Utilizzare una spazzola per le aree di difficile accesso. Evitare l'uso di solventi per la pulizia delle parti in plastica. La maggior parte delle parti in plastica può essere danneggiata dall'uso di solventi.
5. Verificare la presenza di parti usurate o danneggiate. Se necessario, sostituire le parti usurate o contattare un centro di assistenza tecnica autorizzato per eseguire le riparazioni necessarie.
6. Tutti i cuscinetti della macchina sono stati adeguatamente lubrificati per la durata della macchina in condizioni operative normali e quindi non è necessaria un'ulteriore lubrificazione.
7. Se il cavo di alimentazione è danneggiato in qualsiasi modo, assicurarsi che venga immediatamente sostituito da un centro di assistenza tecnica autorizzato prima di utilizzare nuovamente la macchina.

### Manutenzione richiesta

- a. Controllare il cavo.
- b. Controllare che la ruota non presenti segni di usura.
- c. Controllare l'allineamento e il collegamento delle parti mobili.
- d. Riparazione delle ruote abrasive.
- e. Sostituzione delle mole abrasive.
- f. Pulire ed eliminare la polvere dalle parti del motore e della ruota.

### Frequenza

- prima di ogni utilizzo  
prima di ogni utilizzo  
prima di ogni utilizzo
- Ogni volta che è necessario  
Ogni volta che è necessario  
Ogni volta che è necessario

L'assistenza, come sopra menzionato, oltre alla manutenzione raccomandata su questi utensili, deve essere effettuata solo da un tecnico/personale autorizzato e qualificato.

## STOCCAGGIO E TRASPORTO

1. Pulire la macchina come descritto sopra.
2. Conservare la macchina e i suoi componenti nella confezione originale in un luogo asciutto e al riparo dal gelo. La temperatura ideale di conservazione è compresa tra 10°C e 30°C.
3. Conservare sempre la macchina in un'area non accessibile ai bambini.
4. Spegnere la macchina e scollegarla dall'alimentazione elettrica prima di tentare di trasportarla ovunque.
5. Installare le protezioni per il trasporto, se previste.
6. Proteggere la macchina da forti urti o vibrazioni che possono verificarsi durante il trasporto con un veicolo.
7. Fissare correttamente la macchina per evitare che scivoli e/o cada.



RISOLUZIONE DEI PROBLEMI		
Possibili problemi	Possibile causa	Rimedio
Il motore non si avvia.	<ol style="list-style-type: none"> <li>1. Bassa tensione.</li> <li>2. Circuito aperto nel motore o collegamenti allentati.</li> <li>3. Guasto nel fusibile o nel disaccoppiatore.</li> </ol>	<ol style="list-style-type: none"> <li>1. Verificare che la tensione della fonte di alimentazione sia adeguata.</li> <li>2. Verificare che non vi siano collegamenti allentati o aperti (è necessaria la manutenzione).</li> <li>3. Cortocircuito (assistenza necessaria).</li> <li>4. Incompatibilità tra l'utensile e il circuito, il fusibile o il sezionatore.</li> </ol>
Il motore non si avvia - i fusibili e i sezionatori sono intervenuti.	<ol style="list-style-type: none"> <li>1. Cortocircuito nella linea, nel cavo o nella spina.</li> <li>2. Cortocircuito nel motore o collegamenti allentati.</li> <li>3. Fusibili o sezionatori difettosi nella linea di distribuzione.</li> </ol>	<ol style="list-style-type: none"> <li>1. Ispezionare il cavo e/o la spina per verificare che non vi siano isolanti danneggiati o conduttori in cortocircuito.</li> <li>2. Ispezionare tutti i collegamenti al motore per verificare che non vi siano terminali allentati o in cortocircuito e/o isolamento danneggiato.</li> <li>3. Installare fusibili o sezionatori appropriati o sostituire l'attrezzatura in modo che corrisponda a un circuito adeguatamente dimensionato.</li> </ol>
Il motore si surriscalda.	<ol style="list-style-type: none"> <li>1. Il motore ha ricevuto un carico superiore al massimo possibile.</li> <li>2. Il cavo di prolunga è troppo lungo e di peso insufficiente.</li> </ol>	<ol style="list-style-type: none"> <li>1. Ridurre il carico del motore.</li> <li>2. Utilizzare una prolunga di peso e lunghezza adeguati o collegarsi direttamente alla presa di corrente.</li> </ol>
Il motore si ferma (con conseguente bruciatura dei fusibili o interruzione del circuito).	<ol style="list-style-type: none"> <li>1. Cortocircuito nel motore o collegamenti allentati.</li> <li>2. Bassa tensione.</li> <li>3. Fusibili o sezionatori difettosi sulla linea.</li> <li>4. Sovraccarico del motore.</li> </ol>	<ol style="list-style-type: none"> <li>1. Ispezionare i collegamenti al motore per verificare che non vi siano terminali allentati o in cortocircuito o che l'isolamento sia usurato (è necessaria la manutenzione).</li> <li>2. Correggere le cause della bassa tensione (ad es. lunghezza impropria del cavo di prolunga e/o peso del cavo di prolunga).</li> <li>3. Installare fusibili o interruttori automatici adeguati o collegare l'utensile a un circuito appropriato, abbinato a un fusibile o a un sezionatore appropriato.</li> <li>4. Ridurre il carico sul motore.</li> </ol>
Il motore rallenta durante il funzionamento.	La velocità di avanzamento è molto elevata.	Ridurre la velocità di alimentazione del pezzo nell'area di lavoro dell'utensile (ruota abrasiva).
Il pezzo in lavorazione ha una superficie ondulata.	<ol style="list-style-type: none"> <li>1. La macchina vibra.</li> <li>2. Il pezzo non viene tenuto fermo.</li> <li>3. La parte anteriore della ruota è irregolare.</li> <li>4. La ruota è troppo dura.</li> </ol>	<ol style="list-style-type: none"> <li>1. Assicurarsi che la macchina sia fissata saldamente ad un solido superficie.</li> <li>2. Utilizzare un dispositivo di supporto per il pezzo in lavorazione.</li> <li>3. Ristrutturare la ruota abrasiva con l'utensile appropriato.</li> <li>4. Utilizzare una mola più morbida o ridurre la velocità di avanzamento.</li> </ol>
Linee presentate nella superficie del pezzo.	<ol style="list-style-type: none"> <li>1. Impurità sulla superficie della ruota.</li> <li>2. Il pezzo da lavorare non è tenuto saldamente.</li> </ol>	<ol style="list-style-type: none"> <li>1. Ristrutturare la ruota.</li> <li>2. Utilizzare un dispositivo di supporto per la stabilità del pezzo.</li> </ol>
Segni o crepe sul pezzo.	<ol style="list-style-type: none"> <li>1. Tipo di mola abrasiva inadeguata.</li> <li>2. Velocità di avanzamento non corretta.</li> <li>3. Refrigerante richiesto.</li> </ol>	<ol style="list-style-type: none"> <li>1. Provate le ruote con un collegamento più morbido o con trucioli d'acciaio più affilati.</li> <li>2. Ridurre la velocità di alimentazione del pezzo alla ruota.</li> <li>3. Aggiungere il liquido di raffreddamento.</li> </ol>
La ruota si opacizza molto rapidamente, le schegge d'acciaio si staccano.	<ol style="list-style-type: none"> <li>1. La velocità di avanzamento è molto aggressiva.</li> <li>2. La ruota è morbida.</li> <li>3. Il diametro della ruota è troppo piccolo.</li> <li>4. Scarsa riparazione delle ruote abrasive.</li> <li>5. Collegamento difettoso della ruota.</li> </ol>	<ol style="list-style-type: none"> <li>1. Ridurre la velocità di avanzamento del pezzo sulla ruota abrasiva.</li> <li>2. Scegliere una ruota abrasiva con un attacco di materiale più duro.</li> <li>3. Sostituire la ruota.</li> <li>4. Riparare la ruota.</li> <li>5. USO VIETATO - PERICOLO!</li> </ol> <p>Restituire la ruota al punto di acquisto.</p>

<p>La ruota si intasa e sul pezzo appaiono segni di bruciatura.</p>	<ol style="list-style-type: none"><li>1. La ruota è troppo dura.</li><li>2. La velocità di avanzamento è troppo bassa.</li><li>3. Riparazione delle ruote scadente.</li><li>4. Refrigerante richiesto.</li></ol>	<ol style="list-style-type: none"><li>1. Scegliere una mola con un collegamento di materiale più morbido.</li><li>2. Aumentare la velocità di avanzamento del pezzo da lavorare verso la rettifica ruota.</li><li>3. Riparare la ruota.</li><li>4. Inserire il refrigerante.</li></ol>
---	--	--



## Smaltimento ambientale

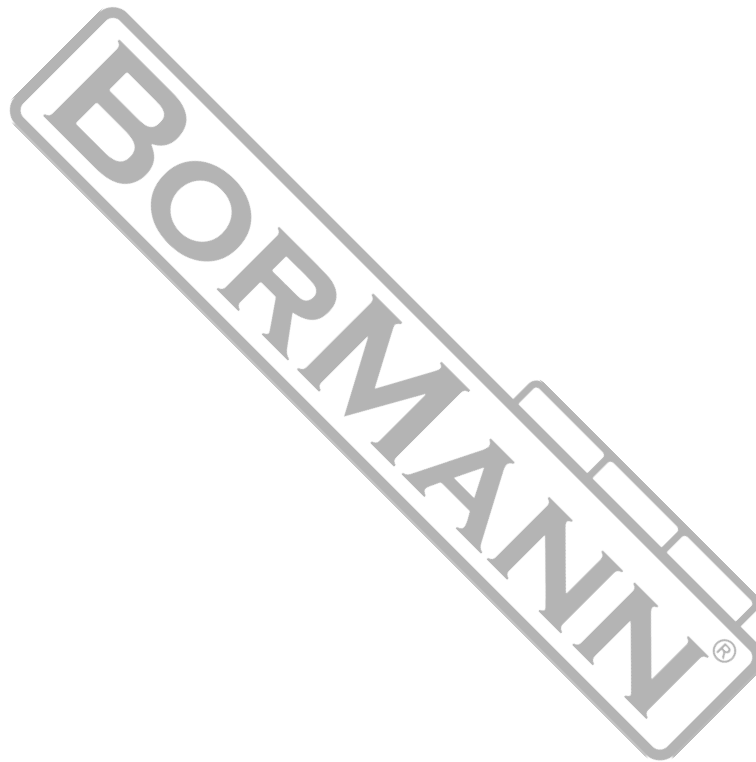
Per evitare danni durante il trasporto, l'utensile deve essere consegnato in un imballaggio solido. L'imballaggio, l'unità e gli accessori sono realizzati con materiali riciclabili e possono essere smaltiti di conseguenza. Le parti in plastica dell'utensile sono contrassegnate in base al loro materiale, il che rende possibile uno smaltimento ecologico e differenziato grazie alle strutture di raccolta disponibili.

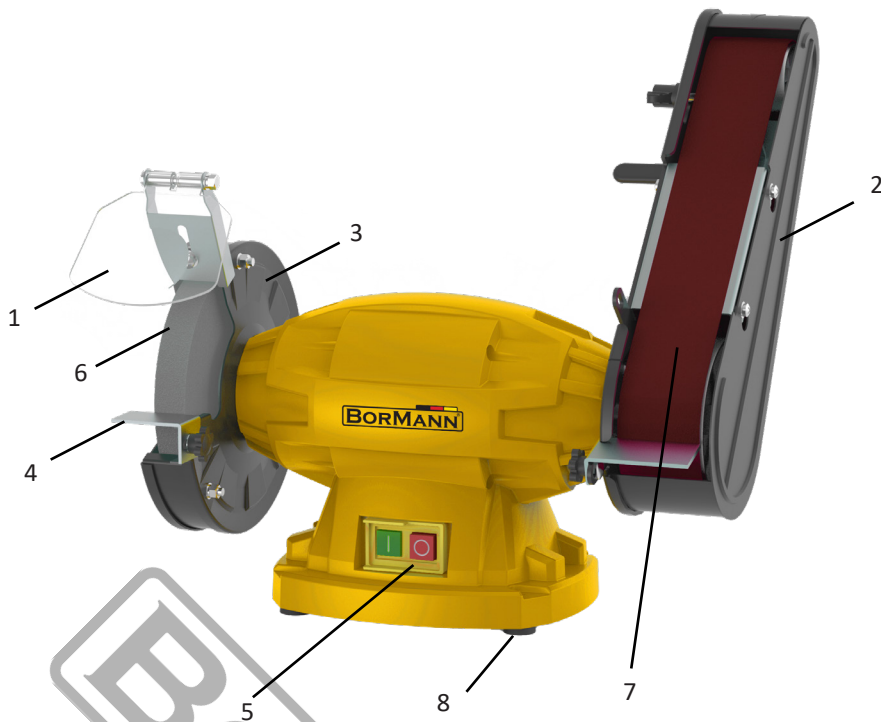


### Solo per i paesi dell'UE

Non gettare gli utensili elettrici con i rifiuti domestici!

Secondo la direttiva europea 2002/96/CE sui rifiuti di apparecchiature elettriche ed elettroniche e la sua attuazione in base alle legislazioni nazionali, gli utensili elettrici a fine vita devono essere raccolti separatamente e consegnati a un impianto di riciclaggio conforme alle norme ambientali.





ТЕХНИЧЕСКИ ДАННИ - TEHNIČNI PODATKI	
Модел - Model	BDT1520
Двигател - Motor	индукция - Indukcija
Мощност - Моќ	250 W S1 непрекъснат/neprekinjeno - 350 W S6 10% прекъсващ/občasno
Размер на колелото - Velikost kolesa	150 x 20 x 12,7 (mm)
Напрежение - Napetost	230 Volt
Честота - Frekvenca	50 Hz
Скорост на въртене - Hitrost vrtenja	2980 RPM
Акcesoари -Dodatna oprema	колан - jermen (50 - 686 mm)

1	Предпазно стъкло	Varnostno očesno steklo
2	Защитно покритие	Zaščitni pokrov
3	Защита	Varovalo
4	Опора за инструменти/ работна опора	Opора za orodje/delovni naslon
5	ON/OFF Превключвател	ON/OFF stikalo
6	колан	jermen
7	Четка	Krtača

Фиг. D - Slik. D		
a	Ос	Os
b	Фланец	Prirobnica
c	Гайка	Matica
d	Винт	Vijak
e	Предпазител на колелото	Zaščita kolesa

\* Производителят си запазва правото да прави незначителни промени в дизайна и техническите спецификации на продуктите без предварително уведомление, освен ако тези промени не засягат значително работата и безопасността на продуктите. Частите, описани/илюстрирани на страниците на ръководството, което държите в ръцете си, може да се отнасят и за други модели от продуктовата линия на производителя с подобни характеристики и може да не са включени в току-що придобития от вас продукт.

\* За да се гарантира безопасността и надеждността на продукта и валидността на гаранцията, всички работи по ремонт, проверка, поправка или замяна, включително поддръжка и специални настройки, трябва да се извършват само от техници от оторизирания сервизен отдел на производителя.

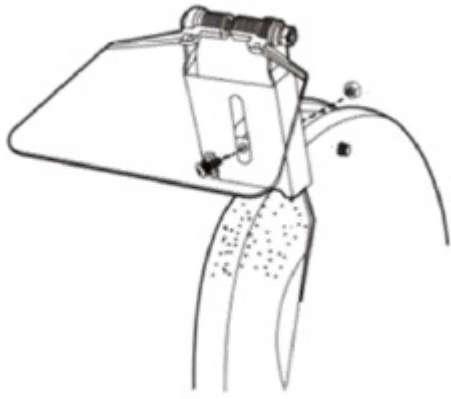
\* Винаги използвайте продукта с доставеното оборудване. Работата на продукта с оборудване, което не е предоставено, може да доведе до неизправности или дори до сериозни наранявания или смърт. Производителят и вносителят не носят отговорност за наранявания и щети, възникнали в резултат на използването на несъответстващо на изискванията оборудване.

\* Proizvajalec si pridržuje pravico do manjših sprememb zasnovne in tehničnih specifikacij izdelka brez predhodnega obvestila, razen če te spremembe bistveno vplivajo na delovanje in varnost izdelkov. Deli, opisani/prikazani na straneh priročnika, ki ga držite v rokah, se lahko nanašajo tudi na druge modele proizvajalčeve linije izdelkov s podobnimi lastnostmi in morda niso vključeni v izdelek, ki ste ga pravkar pridobili.

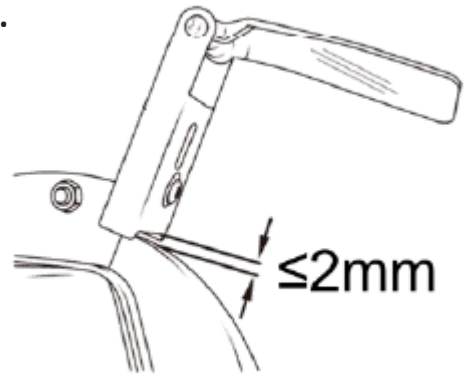
\* Da bi zagotovili varnost in zanesljivost izdelka ter veljavnost garancije, smejo vsa popravila, preglede, popravila ali zamenjave, vključno z vzdrževanjem in posebnimi nastavitvami, opravljati le tehnik pooblaščenega servisnega oddelka proizvajalca.

\* Izdelek vedno uporabljajte s priloženo opremo. Uporaba izdelka z opremo, ki ni priložena, lahko povzroči nepravilno delovanje ali celo hude telesne poškodbe ali smrt. Proizvajalec in uvoznik ne odgovarjata za poškodbe in škodo, ki so posledica uporabe neustrezne opreme.

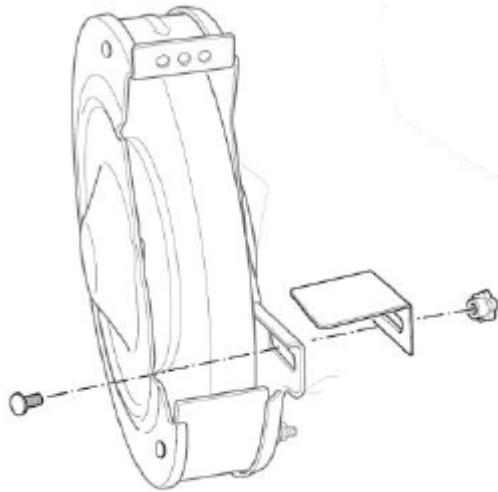
A.



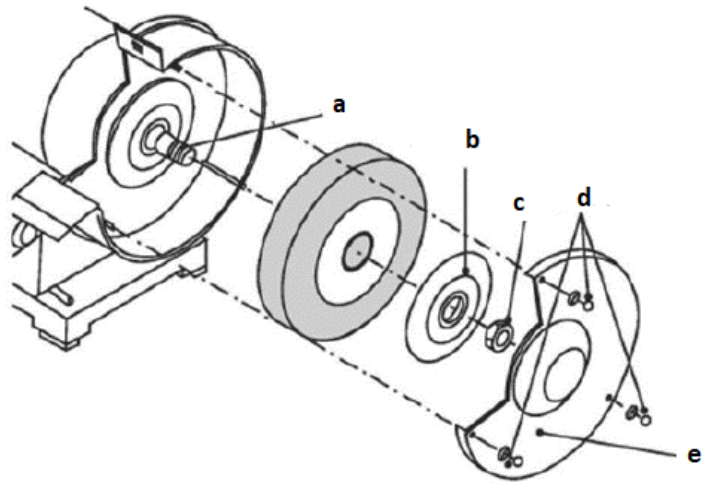
B.



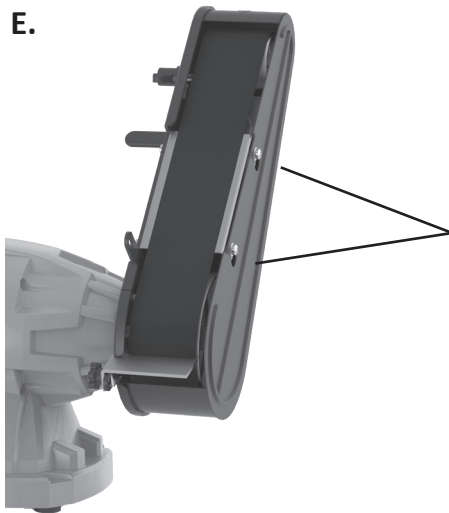
C.



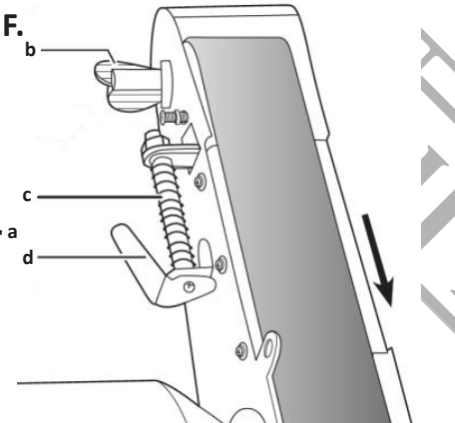
D.



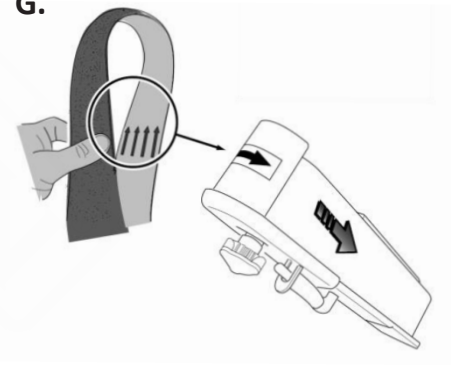
E.



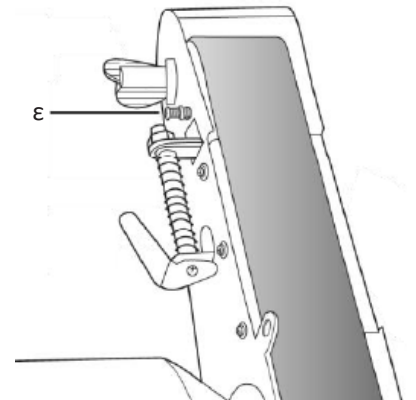
F.



G.



H.



## ИНСТРУКЦИИ ЗА БЕЗОПАСНОСТ

**ОПАСНОСТ!** Неспазването на някоя от следните инструкции може да доведе до сериозни телесни повреди на ползвателите на инструмента и на странични лица или до повреда на инструмента и на имуществото!

**ПРЕДУПРЕЖДЕНИЕ** - Прочетете, разберете и спазвайте всички инструкции в това ръководство, преди да използвате или работите с инструмента, за който то е написано и предоставено. Уверете се, че всеки, който ще използва инструмента, е прочел и разбира предоставените инструкции.

- Винаги носете предпазни средства за очите, които отговарят на признат стандарт (CSA или ANSI).
- При образуване на прах носете маска или респиратор.
- Когато работите с инструмента, не допускайте външни лица в работната зона.
- **ПРЕДУПРЕЖДЕНИЕ!** Винаги се уверявайте, че работната зона е свободна от запалими материали, течности или газове, тъй като използването на този инструмент може да предизвика искри.
- Затегнете гайките на шлифовъчния диск, закрепете винтовете и всички скоби и предпазители.
- По време на всяко стартиране застанете от едната страна на двойното колело и го активирайте, като натиснете бутон "ON". Оставете двойното колело да работи с пълна скорост приблизително една минута, за да се появят всички неоткрити дефекти или пукнатини.
- Поддържайте бронята(ите) на място при правилно функциониране.
- Дръжте ръцете си далеч от шлифовъчния(те) диск(и).
- Никога не докосвайте задната или долната част на шлифовъчните дискове.
- Изключете инструмента от електрическата мрежа преди всякаква настройка или поддръжка. Шлифовъчните дискове продължават да се въртят и след изключването на инструмента. Винаги изчаквайте колелата да спрат напълно, преди да извършвате каквито и да било настройки или поддръжка.
- За да избегнете токов удар, НЕ използвайте инструмента във влажни условия и не го излагайте на дъжд.
- Когато монтирате нов шлифовъчен диск, винаги проверявайте дали посочените максимални обороти съответстват или надвишават тези, посочени на шлифовъчния инструмент. Също така проверете новия диск за повреди, като например несъвършенства или пукнатини. Ако изглежда, че колелото е в задоволително състояние, монтирайте го към шлайфмашината.
- Когато е поставен нов шлифовъчен диск, застанете от едната страна на инструмента и натиснете "ON". Оставете инструмента да работи с пълна скорост в продължение на приблизително една минута, за да се появят всички незабелязани несъвършенства или пукнатини.
- Използвайте само аксесоари, препоръчани от производителя за съответния модел.
- НЕ се опитвайте да режете нищо с шлифовъчния диск.
- Заземените инструменти трябва да бъдат включени в контакт, който е правилно инсталиран и заземен в съответствие с всички местни норми и разпоредби. Никога не отстранявайте заземяването и не го модифицирайте по никакъв начин. Не използвайте адаптерни щепсели (преходници). Ако има някакви съмнения дали контактът е правилно заземен, консултирайте се с квалифициран електротехник.
- Не използвайте инструмента, когато сте уморени или сте под въздействието на алкохол или наркотици.
- Не носете свободни дрехи или бижута. Дръжте косата си вързана.
- Преди да свържете инструмента, уверете се, че превключвателят на захранването е изключен.
- **ПРЕДУПРЕЖДЕНИЕ!** Незабавно сменете шлайфащия(те) диск(и), ако се напукат.
- Не затягайте прекалено гайките на вала.
- Обслужването на тези инструменти трябва да се извършва само от оторизиран и квалифициран технически персонал.

### ПОДГОТОВКА

Преди да започнете - Информация за безопасност

- Винаги използвайте предпазни средства за очи, отговарящи на признат стандарт (например: ANSI Z87.1) - (CSA или ANSI).
- Винаги носете маска или респиратор, когато се образува прах.
- Когато работите с инструмента, не допускайте външни лица в работната зона.
- **ПРЕДУПРЕЖДЕНИЕ!** Винаги се уверявайте, че работната зона е свободна от запалими материали, течности или газове, тъй като използването на този инструмент може да предизвика искри.
- Не носете свободни дрехи или бижута. Дръжте косата си вързана.
- **ПРЕДУПРЕЖДЕНИЕ!** Незабавно сменете шлифовъчния(те) диск(и), който(ито) е(са) напукан(и). Не затягайте прекалено гайките на вала.
- НИКОГА не шлайфайте със страната на колелото. Шлайфането трябва да се извършва само с предната част на колелото.
- НИКОГА не оказвайте натиск върху обработвания детайл, когато шлифовъчният диск е студен. Колелото трябва да се загрее, като се прилага към обработвания детайл постепенно.
- НИКОГА не използвайте шлайфащата машина без предпазители на колелата. Дръжте палците и пръстите си далеч от колелото.

Преди да започнете - Защита от електричество

В случай на неизправност или късо съединение заземяването осигурява пътя на най-малкото съпротивление за електричеството и намалява риска от токов удар за оператора. Този инструмент е оборудван с електрически кабел, който има заземителен проводник за оборудване и заземителен щепсел. Щепселът ТРЯБВА да бъде включен в контакт, който е правилно инсталиран и заземен в съответствие с ВСИЧКИ местни норми и разпоредби.

**НЕ МОДИФИЦИРАЙТЕ ДОСТАВЕНИЯ ЩЕПСЕЛ.** Ако той не пасва в контакта, монтирайте подходящ контакт с помощта на електротехник.

Неправилното свързване на заземителния проводник на оборудването може да доведе до повишен риск от електрически удар. Проводникът със зелена изолация (със или без жълти ленти) е заземителният проводник на оборудването. Ако е необходимо да ремонтирате или подмените електрическия кабел или щепсел, НЕ свързвайте заземителния проводник на оборудването към тоководеща клема.

**СПОДЕЛЕТЕ** с квалифициран електротехник или сервизен персонал, ако не разбирате напълно инструкциите за заземяване или ако не сте сигурни дали оборудването е правилно заземено.

## ИЗПОЛЗВАНЕ НА УДЪЛЖИТЕЛ

Използвайте само 3-проводникови удължители с 3-щифтови щепсели и 3-гнездови контакти, които приемат щепсела на инструмента. Поправяйте или заменяйте повредените или износени кабели незабавно. Уверете се, че удължителният кабел е правилно свързан и е в добро състояние. Не използвайте повредени удължители. Винаги заменяйте удължител, който е повреден. Когато използвате удължител, уверете се, че той е достатъчен, за да пренесе тока, който инструментът ще консумира. Недостатъчно оразмереният кабел ще доведе до спад на напрежението в линията, което ще доведе до загуба на мощност и прегряване. Преди да свържете двигателя към захранващата линия, се уверете, че превключвателят е в положение OFF (Изключено) и че токът е оценен с тока, посочен на табелката на двигателя. Работата при по-ниско напрежение ще повреди двигателя и не се покрива от гаранцията.

## РАЗПАКОВАНЕ

1. Разпаковайте цялото съдържание на опаковката и го поставете на равна и стабилна повърхност.
2. Отстранете всички опаковъчни материали и транспортни устройства (ако има такива).
3. Уверете се, че цялото съдържание на опаковката е пълно и не е повредено. Ако някой компонент липсва или е бил повреден по време на транспортирането, свържете се с местния си търговец. Използването на повреден или непълен продукт представлява риск от нараняване и материални щети.
4. Уверете се, че разполагате с всички части и инструменти, необходими за сглобяване и експлоатация. Това включва подходящи лични предпазни средства.

## ПОДГОТОВКА НА НАСТОЛНА ШЛАЙФМАШИНА

Фиксиране на настолна шлайфмашина.

**ПРЕДУПРЕЖДЕНИЕ:** Не използвайте настолната шлайфмашина, ако преди това не е монтирана здраво на подходяща работна маса.

Поставете машината върху стабилна и равна работна маса или стойка за инструменти и се уверете, че е добре закрепена. Предната част на машината трябва да бъде лесно достъпна след закрепването ѝ. Захранването трябва да бъде разположено на максимално разстояние 100-150 cm от точката на закрепване на машината.

Монтаж на защитния стъклен сенник.

**ПРЕДУПРЕЖДЕНИЕ:** Никога не използвайте настолната шлайфмашина, ако преди това не е поставено защитното стъкло.

1. Подравнете прореза на рамото за защитно стъкло с прореза, разположен в горната част на предпазителя на настолната шлайфмашина, и продължете да го закрепвате с помощта на винт и гайка.
2. Уверете се, че разстоянието между рамото на защитното стъкло и колелото е не повече от 2 mm (фиг. А, Б).

Монтаж на опорната повърхност на обработвания детайл.

Подпорната повърхност на детайла се монтира така, че разстоянието между колелото и опорната повърхност да не надвишава 2 mm.

1. Поставете опорната повърхност на детайла върху релсата на предпазителя на колелата. Уверете се, че опорната повърхност е "обърната" в правилната посока. Извитият ъгъл трябва да е "обърнат" встрани от колелото.
2. Прекарайте винта през прореза в релсата и през монтажната повърхност.
3. Поставете жлеба и шайбата върху края на винта от другата страна.
4. Закрепете винта с помощта на

копчето (фиг. В) Монтаж на лявото

колело

**ПРЕДУПРЕЖДЕНИЕ:** Преди да извършвате каквито и да било дейности по монтиране или подмяна на колела, уверете се, че машината е изключена и изключена от електрическата мрежа.

1. Отстранете винтовете от предпазителя на колелата и го извадете.
2. Свалете гайката от оста с помощта на подходящ ключ. Гайката на дясната ос е с резба по посока на часовниковата стрелка, а гайката на лявата ос е с резба в посока, обратна на часовниковата стрелка.
3. Свалете външното уплътнение от вала.
4. Поставете колелото върху вала и след като се позиционира, завъртете колелото с ръка, за да се уверите, че колелото се движи свободно и не докосва повърхност.
5. Монтирайте отново уплътнението, гайката и бронята.
6. Свържете машината към електрическото захранване, включете я и оставете колелото да се върти ненатоварено в продължение на една минута с максимална скорост, за да се уверите, че няма пукнатини. (Фиг. Г)

**ПРЕДУПРЕЖДЕНИЕ:** Преди да разхлабите/затегнете гайката на вала, задръжте вала стабилно, като използвате втори ключ за гайката на ремъка.



## Инсталиране/подмяна на ремъка

**ПРЕДУПРЕЖДЕНИЕ:** Преди да извършвате каквито и да било дейности по монтиране или подмяна на ремъци, уверете се, че машината е изключена и разединена от електрическата мрежа.

1. Отвийте двата винта (a) от страни на предпазителя на лентата и свалете предпазителя на лентата (вж. Фигура Е).
2. Разхлабете фиксиращия винт (b) на ролката на лентата (вж. Фигура F).
3. Натиснете надолу лоста за обтягане на ремъка (d), за да разхлабите пружинното обтягане (c) и свалете ремъка (Фигура F,G).
4. Плъзнете новия ремък по двете ролки, като се уверите, че е равномерно поставен по цялата си ширина. Уверете се, че стрелката от вътрешната страна на лентата сочи посоката, в която ще се движи лентата (вж. Фигура Ж).
5. Избутайте горната ролка нагоре и докато я държите там, натиснете лоста за обтягане на колана нагоре.
6. Затегнете отново винта за закрепване на ролката на лентата.
7. Регулирайте траекторията на лентата, както е описано в следващия подраздел.
8. Монтирайте отново предпазителя на колана и го закрепете, като монтирате отново 2-те винта от страни на предпазителя.

### Регулиране на траекторията на ремъка

#### ПРЕДУПРЕЖДЕНИЕ:

- Ако траекторията на лентата е настроена неправилно, може да се стигне до повреда на машината и лентата.
- Не работете с машината, ако лентата не е правилно регулирана.
- Не работете с машината, ако ремъкът не работи правилно. В някои случаи може да са необходими няколко опита за регулиране на колана. Възможно е да се наложи да пренаредите колана върху ролките и да повторите процеса на регулиране, докато коланът се постави правилно.

1. Завъртете ремъка с ръка и проверете дали ремъкът преминава през центъра на двете ролки.
2. Регулирайте траекторията на лентата, като завъртите винта за регулиране на траекторията на лентата (e) (фиг. 3). Със завъртане на винта за регулиране на пътя на лентата по посока на часовниковата стрелка пътят се регулира наляво. При завъртане на винта за регулиране на пътя на лентата обратно на часовниковата стрелка пътят се регулира надясно.

## ОПЕРАЦИЯ

### СВЪРЗВАНЕ КЪМ ЕЛЕКТРОЗАХРАНВАНЕТО

**ПРЕДУПРЕЖДЕНИЕ:** Проверете напрежението. Напрежението на захранващия източник трябва да съответства на изискванията за напрежение на инструмента, както е посочено на етикета с номиналните стойности на инструмента. **ПРЕДУПРЕЖДЕНИЕ:** Преди да свържете машината към електрозахранването, се уверете, че превключвателят за включване/изключване е в изключено положение.

Свържете машината към правилно заземено захранване 230 V ~ 50 Hz, чийто контакт е съвместим с щепсела на машината.

### ВКЛЮЧВАНЕ/ИЗКЛЮЧВАНЕ

Преди да свържете машината към захранването, завъртете колелото и ремъка с ръка, за да се уверите, че се въртят свободно.

- За да включите машината, поставете превключвателя за включване/изключване в положение "I".
- За да изключите машината, поставете превключвателя за включване/изключване в положение "O".

Важна забележка: Могат да се изберат два варианта на работа: 250 W S1 непрекъснато / 350 W S6 10 %. Режимът на работа S6 10 % е еквивалентен на непрекъснат режим на работа с прекъснато натоварване. За да се избегне недопустимо прегряване на двигателя, двигателят трябва да се задвижва само през 10% от работното време с предвидената номинална мощност.

## ОБЩИ ИНСТРУКЦИИ

1. Преди всяка употреба проверявайте колелото и ремъка и се уверете, че не са повредени.
2. След като включите машината, изчакайте да достигне максималната си скорост, преди да започнете работа.
3. Предпазното стъкло се регулира и трябва да бъде разположено така, че да осигурява на оператора ясно зрително поле през него.
4. Дръжте детайла върху опорната повърхност и го подавайте плавно и равномерно в колелото.
5. Правилното регулиране на опорните повърхности на детайла ще осигури правилния работен ъгъл за ефективно шлифване. Тъй като диаметърът на диска подлежи на износване, ще трябва да регулирате позицията на опорната повърхност.

Закрепете настолната шлайфмашина към хоризонтална, стабилна повърхност, преди да я използвате. Позиционирането на настолната шлайфмашина към предния край на масата ще улесни работата с дълги инструменти.

Ако е възможно, оставете достатъчно място от лявата страна на машината, за да имате лесен достъп до колелото.

Алтернативен метод е машината да се закрепва към лист шперплат, който след това може да се закрепва с подходящи средства върху пейка или маса, за да се осигури най-удобната позиция на настолната шлайфмашина; преди да използвате машината, се уверете, че защитното стъкло е поставено възможно най-близо до повърхността на диска, за да се предотврати изхвърлянето на искри. Разумно е да използвате предпазни очила, когато използвате настолната шлайфмашина. Машината може да се използва за шлифане на профили или практически всякакви режещи инструменти, длета, свредла и др. Въпреки това трябва да се внимава да не се шлифова инструмент прекалено силно или прекалено дълго, за да се избегне прегряване.

## ПОДДРЪЖКА И ПОЧИСТВАНЕ

**ПРЕДУПРЕЖДЕНИЕ:** Преди да извършвате каквато и да е поддръжка, почистване или ремонт на машината, изключете машината, изключете я от електрическото захранване и изчакайте няколко минути, за да изстине.

**ПРЕДУПРЕЖДЕНИЕ:** Извършвайте само дейностите по поддръжка и ремонт, посочени в това ръководство. Всяка друга работа трябва да се извършва от оторизиран център за техническа поддръжка.

1. Поддържайте машината чиста. Отстранявайте всички замърсявания от нея след всяка употреба и преди да я съхранявате.
2. Редовното и правилно почистване ще спомогне за осигуряване на безопасност и удължаване на живота на машината.
3. Преди всяка употреба проверявайте машината за износени и повредени части. Не използвайте машината, ако откриете счупен или износен компонент.
4. Почистете машината със суха кърпа. Използвайте четка за местата, до които няма лесен достъп. Избягвайте да използвате разтворители при почистване на пластмасови части. Повечето пластмасови части са податливи на увреждане от използването на разтворители.
5. Проверете за износени или повредени части. Ако е необходимо, заменете износените части или се свържете с оторизиран център за техническа поддръжка, който да извърши необходимите ремонтни дейности.
6. Всички лагери на машината са достатъчно смазани за срока на експлоатация на машината при нормални условия на работа и затова не е необходимо допълнително смазване.
7. Ако захранващият кабел е повреден по какъвто и да е начин, уверете се, че той е незабавно заменен от оторизиран център за техническа поддръжка, преди да използвате машината отново.

### Необходима поддръжка

- a. Проверявайте кабела.
- b. Проверявайте колелото за следи от износване.
- c. Проверявайте движещите се части за подравняване и свързване.
- d. Ремонт на абразивни колела При необходимост
- e. Подмяна на абразивните дискове.
- f. Почистете и изчистете от прах частите на двигателя и колелата.

### Честота

- Преди всяка употреба
- Преди всяка употреба
- Преди всяка употреба
- Когато е необходимо
- Когато е необходимо

Сервизното обслужване, както е посочено по-горе, в допълнение към препоръчаната поддръжка на тези инструменти, трябва да се извършва само от оторизиран, квалифициран техник/персонал.

## СЪХРАНЕНИЕ И ТРАНСПОРТ

1. Почистете машината, както е описано по-горе.
2. Съхранявайте машината и нейните компоненти в оригиналната им опаковка на сухо и незамръзващо място. Идеалната температура за съхранение е 10°C и 30°C
3. Винаги съхранявайте машината на място, което не е достъпно за деца.
4. Изключете машината и я изключете от електрическата мрежа, преди да се опитате да я транспортирате където и да било.
5. Монтирайте транспортните предпазители, ако има такива.
6. Защитете машината от силни удари или вибрации, които могат да възникнат по време на транспортиране с превозно средство.
7. Закрепете машината правилно, за да предотвратите изплъзването и/или падането ѝ.

ОТСТРАНЯВАНЕ НА НЕИЗПРАВНОСТИ		
Възможни проблеми	Възможна причина	Средств о за защита
Двигателят не се стартира.	<ol style="list-style-type: none"> <li>1. Ниско напрежение.</li> <li>2. Отворена верига в двигателя или разхлабени връзки.</li> <li>3. Повреда в предпазителя или разединителя.</li> </ol>	<ol style="list-style-type: none"> <li>1. Проверете източника на захранване за правилно напрежение.</li> <li>2. Проверете за разхлабени или отворени връзки (необходимо е сервизно обслужване).</li> <li>3. Късо съединение (изисква се обслужване).</li> <li>4. Несъвместимост между инструмента и веригата, предпазителя или изключвателя.</li> </ol>
Двигателят не се стартира - предпазители и прекъсвачите са изключени.	<ol style="list-style-type: none"> <li>1. Късо съединение в линията, кабела или щепсела.</li> <li>2. Късо съединение в двигателя или разхлабени връзки.</li> <li>3. Неизправни предпазители или разединители в разпределителната линия.</li> </ol>	<ol style="list-style-type: none"> <li>1. Проверете кабела и/или щепсела за повредена изолация и къси проводници.</li> <li>2. Проверете всички връзки към двигателя за разхлабени или късо съединени клеми и/или повредена изолация.</li> <li>3. Инсталирайте подходящи предпазители или прекъсвачи, или заменете съоръженията, за да съответстват на подходящо оразмерена верига.</li> </ol>
Двигателят прегрява.	<ol style="list-style-type: none"> <li>1. Двигателят е получил натоварване, надвишаващо максимално допустимото.</li> <li>2. Удължителният кабел е твърде дълъг и с недостатъчно тегло.</li> </ol>	<ol style="list-style-type: none"> <li>1. Намалете натоварването на двигателя.</li> <li>2. Използвайте удължител с подходящо тегло и дължина или го включете директно в контакта.</li> </ol>
Двигателят спира (което води до изгаряне на предпазители или прекъсване/изключване на веригата).	<ol style="list-style-type: none"> <li>1. Късо съединение в двигателя или разхлабени връзки.</li> <li>2. Ниско напрежение.</li> <li>3. Неизправни предпазители или прекъсвачи на линията.</li> <li>4. Претоварване на двигателя.</li> </ol>	<ol style="list-style-type: none"> <li>1. Проверете връзките към двигателя за разхлабени или късо съединени клеми или износена изолация (необходимо е сервизно обслужване).</li> <li>2. Отстранете причините за ниско напрежение (напр. неправилна дължина на удължителния кабел и/или тегло на удължителния кабел).</li> <li>3. Инсталирайте подходящи предпазители или прекъсвачи или свържете инструмента към подходяща верига, съчетана с подходящ предпазител или прекъсвач.</li> <li>4. Намалете натоварването на двигателя.</li> </ol>
Двигателят се забавя по време на работа.	Скоростта на подаване е много висока.	Намалете скоростта, с която детайлът се подава в работната зона на инструмента (абразивния диск).
Заготовката има вълнообразна повърхност.	<ol style="list-style-type: none"> <li>1. Машината вибрира.</li> <li>2. Детайлът не се държи стабилно.</li> <li>3. Предната част на колелото е неравна.</li> <li>4. Колелото е твърде твърдо.</li> </ol>	<ol style="list-style-type: none"> <li>1. Уверете се, че машината е надеждно закрепена към стабилна повърхност.</li> <li>2. Използвайте приспособление за придържане на детайла.</li> <li>3. Преструктурирайте абразивния диск с подходящия инструмент.</li> <li>4. Използвайте по-мек диск или намалете скоростта на подаване.</li> </ol>
Представени линии в върху повърхността на обработвания детайл.	<ol style="list-style-type: none"> <li>1. Замърсявания по повърхността на колелото.</li> <li>2. Детайлът не се държи стабилно.</li> </ol>	<ol style="list-style-type: none"> <li>1. Преструктурирайте колелото.</li> <li>2. Използвайте опорно устройство за стабилност на детайла.</li> </ol>
Маркировки или пукнатини върху обработвания детайл.	<ol style="list-style-type: none"> <li>1. Неподходящ тип абразивен диск.</li> <li>2. Неправилна скорост на подаване.</li> <li>3. Необходима охлаждаща течност.</li> </ol>	<ol style="list-style-type: none"> <li>1. Опитайте коела с по-мека връзка или по-стри стоманени стружки</li> <li>2. Намалете скоростта, с която детайлът се подава към колелото.</li> <li>3. Добавете охлаждаща течност.</li> </ol>
Колелото се изтъпява много бързо, а стоманените парчета падат.	<ol style="list-style-type: none"> <li>1. Скоростта на подаване е много агресивна.</li> <li>2. Колелото е меко.</li> <li>3. Диаметърът на колелото е твърде малък.</li> <li>4. Лош ремонт на абразивното колело.</li> <li>5. Дефектна връзка на колелото.</li> </ol>	<ol style="list-style-type: none"> <li>1. Намалете скоростта на подаване на обработвания детайл към абразивния диск.</li> <li>2. Изберете абразивен диск с по-твърда връзка на материала.</li> <li>3. Сменете колелото.</li> <li>4. Поправете колелото.</li> <li>5. ЗАБРАНЕНО УПОТРЕБА - ОПАСНОСТ !</li> </ol> <p>Върнете колелото в мястото на закупуване.</p>

## Екологично изхвърляне

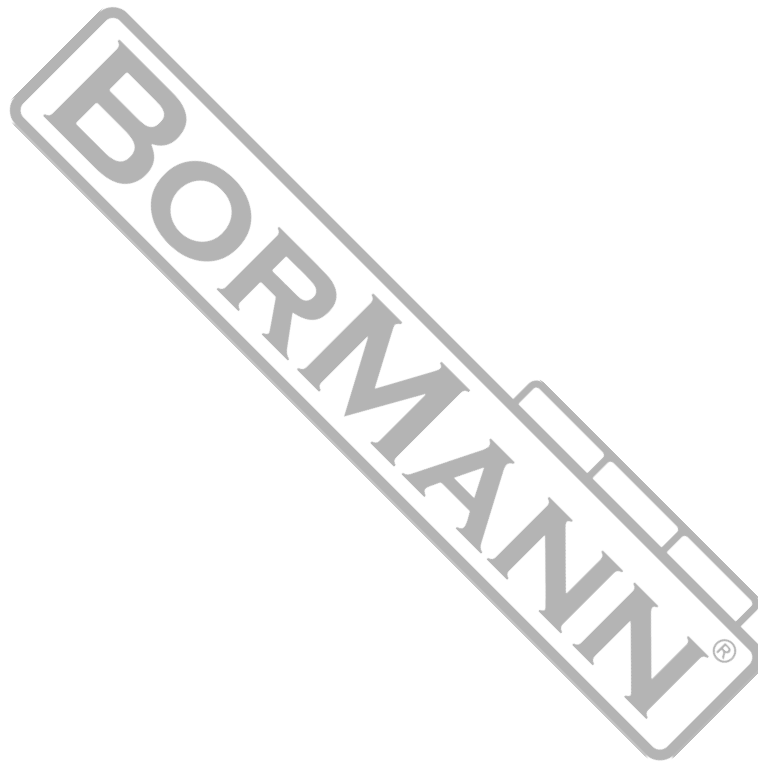
За да се избегнат повреди по време на транспортиране, инструментът трябва да се доставя в здрава опаковка. Опаковката, както и устройството и принадлежностите са изработени от рециклируеми материали и могат да бъдат изхвърлени по съответния начин. Пластмасовите части на инструмента са маркирани според материала, от който са изработени, което дава възможност за екологосъобразно и диференцирано изхвърляне благодарение на наличните съоръжения за събиране.



### Само за страни от ЕС

Не изхвърляйте електроинструментите заедно с битовите отпадъци!

Съгласно Европейската директива 2002/96/ЕО относно отпадъците от електрическо и електронно оборудване и нейното прилагане в съответствие с националното законодателство, излезлите от употреба електроинструменти трябва да се събират отделно и да се връщат в съоръжение за рециклиране, отговарящо на екологичните изисквания.



## VARNOSTNA NAVODILA

NEVARNOST! Neupoštevanje katerega koli od naslednjih navodil lahko povzroči hude telesne poškodbe uporabnikov orodja in mimoidočih ali poškodbe orodja in lastnine!

OPOZORILO - Pred uporabo ali upravljanjem orodja, za katerega je bilo napisano in zagotovljeno, preberite, razumite in upoštevajte vsa navodila v tem priročniku. Prepričajte se, da je vsakdo, ki bo orodje uporabljal, prebral in razumel priložena navodila.

- Vedno nosite zaščito za oči, ki ustreza priznanemu standardu (CSA ali ANSI).
- Pri nastajanju prahu nosite masko ali respirator.
- Med delom z orodjem se mimoidoči ne smejo zadrževati na delovnem območju.
- OPOZORILO! Vedno poskrbite, da na delovnem območju ni vnetljivih materialov, tekočin ali plinov, saj lahko pri uporabi tega orodja nastanejo iskre.
- Zategnite matice brusilnega kolesa, pritrdite vijake ter vse objemke in zaščite.
- Med vsakim zagonom stojte na eni strani dvojnega kolesa in ga aktivirajte s pritiskom na gumb "ON". Pustite dvojno kolo delovati s polno hitrostjo približno eno minuto, da se pojavijo morebitne neodkritne napake ali razpoke.
- Z ustreznim delovanjem ohranite odbijač(e) na mestu.
- Ne približujte rok brusilnemu kolesu (kolesom).
- Nikoli se ne dotikajte zadnje ali spodnje strani brusilnih kolutov.
- Pred kakršnim koli nastavljanjem ali vzdrževanjem odklopite orodje iz električnega omrežja. Brusilna kolesa se vrtijo tudi po izklopu orodja. Pred kakršnim koli nastavljanjem ali vzdrževanjem vedno počakajte, da se kolesa popolnoma ustavijo.
- Da bi se izognili električnemu udaru, orodja NE uporabljajte v mokrih razmerah in ga ne izpostavljajte dežju.
- Pri nameščanju novega brusilnega kolesa vedno preverite, ali je navedeno največje število vrtljajev na minuto enako ali večje od tistega, ki je navedeno na brusilniku. Prav tako preverite, ali je novo brusilno kolo poškodovano, kot so nepravilnosti ali razpoke. Če se zdi, da je kolo v zadovoljivem stanju, ga namestite na brusilnik.
- Ko je nameščen nov brusilni kolut, se postavite na eno stran orodja in pritisnite "ON". Pustite orodje delovati s polno hitrostjo približno eno minuto, da se pojavijo morebitne neopažene nepravilnosti ali razpoke.
- Uporabljajte samo dodatke, ki jih je za zadevni model priporočil proizvajalec.
- Z brusilnim kolutom NE poskušajte ničesar rezati.
- Orodje z ozemljitvijo mora biti priključeno v vtičnico, ki je pravilno nameščena in ozemljena v skladu z vsemi lokalnimi predpisi. Nikoli ne odstranjujte ozemljitve in je na noben način ne spreminjajte. Ne uporabljajte adapterskih vtičev (adapterjev). Če dvomite, ali je vtičnica pravilno ozemljena, se posvetujte z usposobljenim električarjem.
- Ne uporabljajte orodja, če ste utrujeni ali pod vplivom alkohola ali drog.
- Ne nosite ohlapnih oblačil ali nakita. Imejte zvezane lase.
- Pred priključitvijo orodja se prepričajte, da je stikalo za napajanje izklopljeno.
- OPOZORILO! Če brusilni kolut(-i) počí, ga(jih) takoj zamenjajte.
- Matic gredi ne zategujte preveč.
- Servisiranje teh orodij lahko opravlja le pooblaščen in usposobljen tehnično osebje.

### PRIPRAVA

Pred začetkom - Varnostne informacije

- Vedno uporabljajte zaščito za oči, ki ustreza priznanemu standardu (na primer: ANSI Z87.1) - (CSA ali ANSI).
- Pri nastajanju prahu vedno nosite masko ali respirator.
- Med delom z orodjem se mimoidoči ne smejo zadrževati na delovnem območju.
- OPOZORILO! Vedno poskrbite, da na delovnem območju ni vnetljivih materialov, tekočin ali plinov, saj lahko pri uporabi tega orodja nastanejo iskre.
- Ne nosite ohlapnih oblačil ali nakita. Imejte zvezane lase.
- OPOZORILO! Takoj zamenjajte brusilni(-e) kolut(-e), ki je(so) razpokan(-i). Matic gredi ne zategujte preveč.
- NIKOLI ne brusite s stranico kolesa. Brusiti morate le s sprednjim delom kolesa.
- NIKOLI ne pritiskajte na obdelovanec, ko je brusilni kolut hladen. Krog je treba segreti s postopnim pritiskanjem na obdelovanec.
- Brusilnega stroja NIKOLI ne uporabljajte brez zaščitnih elementov. Držite palce in prste stran od brusilnega kolesa.

Pred začetkom - Zaščita pred elektriko

V primeru okvare ali kratkega stika ozemljitev zagotavlja pot najmanjšega upora za elektriko in zmanjša tveganje električnega udara za uporabnika. To orodje je opremljeno z električnim kablom, ki ima ozemljitveni vodnik opreme in ozemljitveni vtič. Vtič MORA biti priključen v vtičnico, ki je pravilno nameščena in ozemljena v skladu z VSEH lokalnih predpisov in uredb.

NE SPREMINJAJTE PRILOŽENEGA VTIČA. Če se vtič ne prilega v vtičnico, s pomočjo električarja namestite ustrezno vtičnico.

Nepravilna priključitev ozemljitvenega vodnika opreme lahko povzroči povečano tveganje električnega udara. Vodnik z zeleno izolacijo (z ali brez rumenih trakov) je ozemljitveni vodnik opreme. Če je treba popraviti ali zamenjati električni kabel ali vtič, ozemljitvenega vodnika opreme NE priključite na priključek, ki prevaja tok.

Če ne razumete v celoti navodil za ozemljitev ali če niste prepričani, da je oprema pravilno ozemljena, se posvetujte z usposobljenim električarjem ali servisnim osebjem.

## UPORABA PODALJŠEVALNEGA KABLA

Uporabljajte samo 3-žične podaljške s 3-žičnimi vtiči in 3-žičnimi vtičnicami, ki sprejemajo vtič orodja. Poškodovane ali obrabljene kable takoj popravite ali zamenjajte. Prepričajte se, da je podaljšek pravilno priključen in da je v dobrem stanju. Ne uporabljajte poškodovanih podaljškov. Poškodovan podaljševalni kabel vedno zamenjajte s poškodovanim. Ko uporabljate podaljšek, se prepričajte, da je dovolj zmogljiv, da prenese tok, ki ga bo orodje porabilo. Premajhen kabel bo povzročil padec napetosti v vodu, kar bo povzročilo izgubo moči in pregrevanje. Pred priključitvijo motorja na napajalni vod se prepričajte, da je stikalo v položaju OFF in da je tok ocenjen s tokom na napisni ploščici motorja. Delovanje pri nižji napetosti bo poškodovalo motor in ni zajeto v garanciji.

## UNPACKAGING

1. Razpakirajte vso vsebino paketa in jo postavite na ravno in stabilno površino.
2. Odstranite ves embalažni material in morebitne transportne naprave.
3. Prepričajte se, da je vsa vsebina paketa popolna in nepoškodovana. Če katera koli komponenta manjka ali če je bila med pošiljanjem poškodovana, se obrnite na lokalnega prodajalca. Uporaba poškodovanega ali nepopolnega izdelka predstavlja tveganje za poškodbe in materialno škodo.
4. Prepričajte se, da imate na voljo vse dele in orodja, potrebne za sestavljanje in delovanje. To vključuje tudi ustrezno osebno zaščitno opremo.

## PRIPRAVA NAMIZNEGA BRUSILNIKA

Pritrditev namiznega brusilnika.

OPOZORILO: Namiznega brusilnika ne uporabljajte, če ga predhodno varno ne namestite na ustrezno delovno mizo.

Stroj postavite na stabilno in ravno delovno mizo ali stojalo za orodje ter poskrbite, da je ustrezno pritrjen. Sprednji del stroja mora biti po pritržitvi zlahka dostopen. Napajalnik mora biti oddaljen največ 100-150 cm od točke pritržitve stroja.

Montaža zaščitnega steklenega očesnega stekla.

OPOZORILO: Nikoli ne uporabljajte namiznega brusilnika, če pred tem ni nameščeno zaščitno steklo.

1. Uskladite režo zaščitne steklene roke z režo v zgornjem delu varovala namiznega brusilnika in jo pritrдите z vijakom in matico.
2. Prepričajte se, da je razmik med roko zaščitnega stekla in kolesom največ 2 mm (sliki A, B).

Montaža podporne površine za obdelovance.

Podporna površina obdelovanca mora biti nameščena tako, da razmik med kolesom in podporno površino ne presega 2 mm.

1. Podporna površina obdelovanca postavite ob tirnico varovala koles. Prepričajte se, da je podporna površina obrnjena v pravo smer. Zakrivljeni vogal mora biti obrnjen stran od kolesa.
2. Vijak speljite skozi režo v tirnici in montažno površino.
3. Na konec vijaka na drugi strani namestite utor in podložko.
4. Vijak pritrđite z gumbom (slika C)

Namestitev levega kolesa

OPOZORILO: Pred kakršnim koli nameščanjem ali zamenjavo koles se prepričajte, da je stroj izklopljen in odklopljen iz električnega omrežja.

1. Odstranite vijake z varovala kolesa in ga izvlecite.
2. Z ustreznim ključem odstranite matico z osi. Matica na desni osi ima navoj v smeri urinega kazalca, matica na levi osi pa v nasprotni smeri urinega kazalca. nit.
3. Z gredi odstranite zunanje tesnilo.
4. Kolesce namestite na gred in ko je nameščeno na mestu, ga z roko zavrtite, da preverite, ali se prosto premika in se ne dotika nobenega elementa površina.
5. Ponovno namestite tesnilo, matico in odbijač.
6. Stroj priključite na električno omrežje, ga vklopite in pustite, da se kolo neobremenjeno vrtil eno minuto z največjo hitrostjo, da se prepričate, da na njem ni razpok. (Slika D)

OPOZORILO: Preden lahko popustite/zategnete matico na gredi, z drugim ključem na matici jermena stabilno držite gred.

## Namestitev/zamenjava jermena

**OPOZORILO:** Pred namestitvijo ali zamenjavo jermena se prepričajte, da je stroj izklopljen in odklopljen iz električnega omrežja.

1. Odvijte 2 vijaka (a) na strani zaščite traku in odstranite zaščito traku (glejte sliko E).
2. Odvijte pritrdilni vijak (b) tračnega valja (glejte sliko F).
3. Potisnite ročico za napenjanje jermena (d) navzdol, da sprostite napenjalno vzmet (c), in odstranite jermen (slika F, G).
4. Nov jermen potisnite čez oba valja in poskrbite, da bo enakomerno nameščen po vsej širini. Prepričajte se, da puščica na notranji strani traku kaže v smeri, v kateri se bo trak premikal (glejte sliko G).
5. Potisnite zgornji valjček navzgor in medtem ko ga držite, potisnite vzvod za napenjanje jermena navzgor.
6. Ponovno zategnite pritrdilni vijak tračnega valja.
7. Pot traku prilagodite, kot je opisano v naslednjem podpoglavju.
8. Ponovno namestite varovalo jermena in ga pritrдите tako, da ponovno namestite 2 vijaka na strani varovala.

Nastavitev poti jermana **OPOZORILO:**

- Če je pot traku nastavljena nepravilno, lahko pride do poškodb stroja in traku.
- Če trak ni pravilno nastavljen, naprave ne uporabljajte.
- Če jermen ne deluje pravilno, stroja ne uporabljajte. V nekaterih primerih je za nastavitev jermena potrebnih več poskusov. Morda bo treba ponovno namestiti jermen na valje in ponoviti postopek nastavitve, dokler jermen ne bo pravilno nameščen.

1. Z roko zavrtite jermen in preverite, ali gre jermen skozi sredino obeh valjev.
2. Z vrtenjem vijaka za nastavitev poti jermana (ε) nastavite pot jermana (slika H). Z vrtenjem vijaka za nastavitev poti traku v smeri urinega kazalca se pot prilagodi v levo. Z obračanjem vijaka za nastavitev poti traku v nasprotni smeri urinega kazalca se pot prilagodi v desno.

## OPERACIJA

### PRIKLJUČITEV NA NAPAJANJE

**OPOZORILO:** Preverite napetost. Napetost napajalnika mora ustrezati napetostnim zahtevam orodja, ki so navedene na nalepki z nazivno vrednostjo orodja.

**OPOZORILO:** Pred priključitvijo stroja na napajanje se prepričajte, da je stikalo za vklop/izklop v izklopljenem položaju.

Stroj priključite na ustrezno ozemljeno električno omrežje 230 V ~ 50 Hz, katerega vtičnica je združljiva z vtičem stroja. **VKLOP/IZKLOP**

Preden stroj priključite na električno omrežje, z roko zavrtite kolo in jermen, da se prepričate, da se prosto vrtita.

- Za vklop stroja nastavite stikalo za vklop/izklop v položaj "I".
- Če želite stroj izklopiti, nastavite stikalo za vklop/izklop v položaj "O".

Pomembno opozorilo: Izberete lahko dve možnosti delovanja: 250 W S1 neprekinjeno / 350 W S6 10 %. Način delovanja S6 10 % je enakovreden neprekinjenemu delovanju s prekinjeno obremenitvijo. Da bi se izognili nedopustnemu pregrevanju motorja, je treba motor s predpisano nazivno močjo poganjati le 10 % obratovalnega časa.

## SPLOŠNA NAVODILA

1. Pred vsako uporabo preverite kolo in jermen ter se prepričajte, da nista poškodovana.
2. Po vklopu stroja počakajte, da doseže največjo hitrost, preden začnete z delom.
3. Varnostno steklo je nastavlljivo in mora biti nameščen tako, da ima upravljaivec prosto vidno polje.
4. Obdelovanec držite ob podporni površini ter ga gladko in enakomerno vtaknite v kolo.
5. S pravilno namestitvijo podpornih površin obdelovanca zagotovite pravi delovni kot za učinkovito brušenje. Ker se premer krožnika obrabi, boste morali ponovno prilagoditi položaj podporne površine.

Pred uporabo namizni brusilnik pritrđite na vodoravno, stabilno površino. Če namizni brusilnik postavite proti sprednjemu koncu mize, boste lažje rokovali z dolgimi orodji.

Če je mogoče, na levi strani stroja pustite dovolj prostora, da lahko brez težav dostopate do kolesa.

Druga možnost je, da stroj pritrđite na vezano ploščo, ki jo nato s primernimi sredstvi pritrđite na mizo ali klop, da bo namizni brusilnik v najprimernejšem položaju; pred uporabo stroja se prepričajte, da je zaščitno steklo nameščen čim bližje površini kolesa, da se prepreči uhajanje isker.

Pri uporabi namiznega brusilnika je smiselno uporabljati zaščitna očala. Stroj lahko uporabljate za brušenje profilov ali praktično vseh rezalnih orodij, dlet, svetrov itd. Vendar pa je treba paziti, da orodja ne brusite premočno ali predolgo, da ne pride do pregrevanja.

## VZDRŽEVANJE IN ČIŠČENJE

OPOZORILO: Pred kakršnim koli vzdrževanjem, čiščenjem ali popravilom stroja ga izklopite, izključite iz električnega omrežja in počakajte nekaj minut, da se ohladi.

OPOZORILO: Izvajajte samo vzdrževalna in popravilna dela, ki so navedena v tem priročniku. Vsako drugo delo mora opraviti pooblaščen center za tehnično pomoč.

1. Napravo vzdržujte čisto. Po vsaki uporabi in pred shranjevanjem z nje odstranite vse ostanke.
2. Z rednim in pravilnim čiščenjem boste zagotovili varnost in podaljšali življenjsko dobo stroja.
3. Pred vsako uporabo stroj preverite, ali so deli obrabljeni in poškodovani. Če najdete poškodovan ali obrabljen sestavni del, stroja ne uporabljajte.
4. Stroj očistite s suho krpo. Na območjih, kjer dostop ni enostaven, uporabite krtačo. Pri čiščenju plastičnih delov ne uporabljajte topil. Večina plastičnih delov je občutljiva na poškodbe zaradi uporabe topil.
5. Preverite, ali so deli obrabljeni ali poškodovani. Po potrebi zamenjajte obrabljene dele ali se obrnite na pooblaščen center za tehnično podporo, da opravi potrebna popravila.
6. Vsi ležaji stroja so ustrezno namazani za celotno življenjsko dobo stroja v normalnih delovnih pogojih, zato nadaljnje mazanje ni potrebno.
7. Če je napajalni kabel na kakršen koli način poškodovan, poskrbite, da ga pooblaščen center za tehnično pomoč takoj zamenja, preden ponovno uporabite stroj.

### Potrebno vzdrževanje

- a. Preverite kabel
- b. Preverite, ali je kolo obrabljeno.
- c. Preverite, ali so gibljivi deli poravnani in povezani.
- d. Popravilo abrazivnih koles Po potrebi
- e. Zamenjava abrazivnih koles.
- f. Očistite in odstranite prah z delov motorja in kolesa.

### Pogostost

- Pred vsako uporabo  
 Pred vsako uporabo  
 Pred vsako uporabo  
 Po potrebi  
 Po potrebi  
 Po potrebi

Servis, kot je navedeno zgoraj, poleg priporočenega vzdrževanja teh orodij lahko opravlja le pooblaščen, usposobljeni tehnik/osebje.

## SKLADIŠČENJE IN PREVOZ

1. Stroj očistite, kot je opisano zgoraj.
2. Napravo in njene sestavne dele shranjujte v originalni embalaži na suhem in nemrzlem mestu. Idealna temperatura shranjevanja je med 10 °C in 30 °C
3. Napravo vedno shranjujte v prostoru, ki ni dostopen otrokom.
4. Izklopite napravo in jo izključite iz električnega napajanja, preden jo poskušate kamor koli prenesti.
5. Namestite transportna varovala, če so na voljo.
6. Stroj zaščitite pred močnimi udarci ali vibracijami, ki se lahko pojavijo med prevozom z vozilom.
7. Stroj ustrezno pritrdite, da ne zdrsne in/ali pade.



ODPRAVLJANJE TEŽAV		
Možne težave	Možen vzrok	Rešitev
Motor se ne zažene.	<ol style="list-style-type: none"> <li>Nizka napetost.</li> <li>Odprt tokokrog v motorju ali ohlapne povezave.</li> <li>Napaka v varovalki ali ločilniku.</li> </ol>	<ol style="list-style-type: none"> <li>Preverite, ali je vir napajanja ustrezno napolnjen.</li> <li>Preverite, ali so priključki ohlapni ali odprti (potrebna je servisna storitev).</li> <li>Kratek stik (potrebno servisiranje).</li> <li>Nezdružljivost med orodjem in tokokrogom, varovalko ali odklopnikom.</li> </ol>
Motor se ne zažene - varovalke in odklopna stikala so izklopljena.	<ol style="list-style-type: none"> <li>Kratek stik v liniji, kablu ali vtiču.</li> <li>Kratek stik v motorju ali ohlapne povezave.</li> <li>Napačne varovalke ali odklopniki v distribucijskemvodu.</li> </ol>	<ol style="list-style-type: none"> <li>Preverite kabel in/ali vtič za poškodovano izolacijo in kratke vodnike.</li> <li>Preverite vse priključke motorja, ali niso ohlapni ali kratki in/ali poškodovana izolacija.</li> <li>Namestite ustrezne varovalke ali odklopna stikala ali zamenjajte opremo, da bo ustrezala ustrezno velikemu tokokrogu.</li> </ol>
Motor se pregreje.	<ol style="list-style-type: none"> <li>Motor je bil obremenjen nad največjo možno obremenitvijo.</li> <li>Podaljševalni kabel je predolg in premalo težak.</li> </ol>	<ol style="list-style-type: none"> <li>Zmanjšajte obremenitev motorja.</li> <li>Uporabite podaljšek ustrezne teže in dolžine ali ga priključite neposredno v vtičnico.</li> </ol>
Motor se ustavi (kar povzroči pregorevanje varovalk ali prekinitev/izklop tokokroga).	<ol style="list-style-type: none"> <li>Kratek stik v motorju ali ohlapne povezave.</li> <li>Nizka napetost.</li> <li>Napačne varovalke ali odklopna stikala na liniji.</li> <li>Preobremenitev motorja.</li> </ol>	<ol style="list-style-type: none"> <li>Preglejte priključke na motor, če so ohlapni ali kratki ali obrabljena izolacija (potreben servis).</li> <li>Odpravite vzroke nizke napetosti (npr. neustrezna dolžina podaljška in/ali teža podaljška).</li> <li>Namestite ustrezne varovalke ali odklopnike ali priključite orodje na ustrezen tokokrog z ustrezno varovalko ali odklopnim stikalom.</li> <li>Zmanjšajte obremenitev motorja.</li> </ol>
Motor se med delovanjem upočasnjuje.	Hitrost podajanja je zelo visoka.	Zmanjšajte hitrost dovajanja obdelovanca v delovno območje orodja (abrazivni kolut).
Obdelovanec ima valovito površino.	<ol style="list-style-type: none"> <li>Stroj vibrira.</li> <li>Obdelovanec ni stabilen.</li> <li>Sprednji del kolesa je neenakomeren.</li> <li>Kolo je pretežko.</li> </ol>	<ol style="list-style-type: none"> <li>Prepričajte se, da je stroj varno pritrjen na trdno podlago.</li> <li>Uporabite napravo za pritrditev obdelovanca.</li> <li>Z ustreznim orodjem predelajte brusilno kolo.</li> <li>Uporabite mehkejšo kolo ali zmanjšajte hitrost podajanja.</li> </ol>
Predstavljene vrstice v na površini obdelovanca.	<ol style="list-style-type: none"> <li>Nečistoče na površini kolesa.</li> <li>Obdelovanec se ne drži trdno.</li> </ol>	<ol style="list-style-type: none"> <li>Prestrukturirajte kolo.</li> <li>Za stabilnost obdelovanca uporabite podporno napravo.</li> </ol>
Oznake ali razpoke na obdelovancu.	<ol style="list-style-type: none"> <li>Neustrezna vrsta brusnega kolesa.</li> <li>Neustrezna hitrost podajanja.</li> <li>Potrebno je hladilno sredstvo.</li> </ol>	<ol style="list-style-type: none"> <li>Poskusite s kolesi z mehkejšo povezavo ali bolj ostrimi jeklenimi ostružki.</li> <li>Zmanjšajte hitrost dovajanja obdelovanca na kolo.</li> <li>Dodajte hladilno tekočino.</li> </ol>
Kolo se zelo hitro otupi, jekleni drobci odpadejo.	<ol style="list-style-type: none"> <li>Hitrost podajanja je zelo agresivna.</li> <li>Kolesce je mehko.</li> <li>Premer kolesa je premajhen.</li> <li>Slabo popravilo abrazivnega kolesa.</li> <li>Pomanjkljiv kolesni priključek.</li> </ol>	<ol style="list-style-type: none"> <li>Zmanjšajte hitrost podajanja obdelovanca na brusilno kolo.</li> <li>Izberite abrazivni kolut s tršim materialom.</li> <li>Zamenjajte kolo.</li> <li>Popravite kolo.</li> <li>UPORABA JE PREPOVEDANA - NEVARNOST !</li> </ol> <p>Kolo vrnite na mesto nakupa.</p>
Kolo se zamaši/zapre in na obdelovancu se pojavijo odtisi opeklin.	<ol style="list-style-type: none"> <li>Kolo je pretežko.</li> <li>Hitrost podajanja je prenizka.</li> <li>Slabo popravilo kolesa.</li> <li>Potrebno je hladilno sredstvo.</li> </ol>	<ol style="list-style-type: none"> <li>Izberite brusilni kolut z mehkejšo povezavo materiala.</li> <li>Povečajte hitrost podajanja obdelovanca v brusilnik kolo.</li> <li>Popravite kolo.</li> <li>Vstavite hladilno tekočino.</li> </ol>

## Odstranjevanje okolja

Da bi se izognili poškodbam med prevozom, mora biti orodje dobavljeno v trdni embalaži. Embalaža ter enota in dodatki so izdelani iz materialov, ki jih je mogoče reciklirati, zato jih lahko ustrezno odstranite. Plastični deli orodja so označeni glede na njihov material, kar omogoča okolju prijazno in diferencirano odstranjevanje zaradi razpoložljivih zbiralnic.

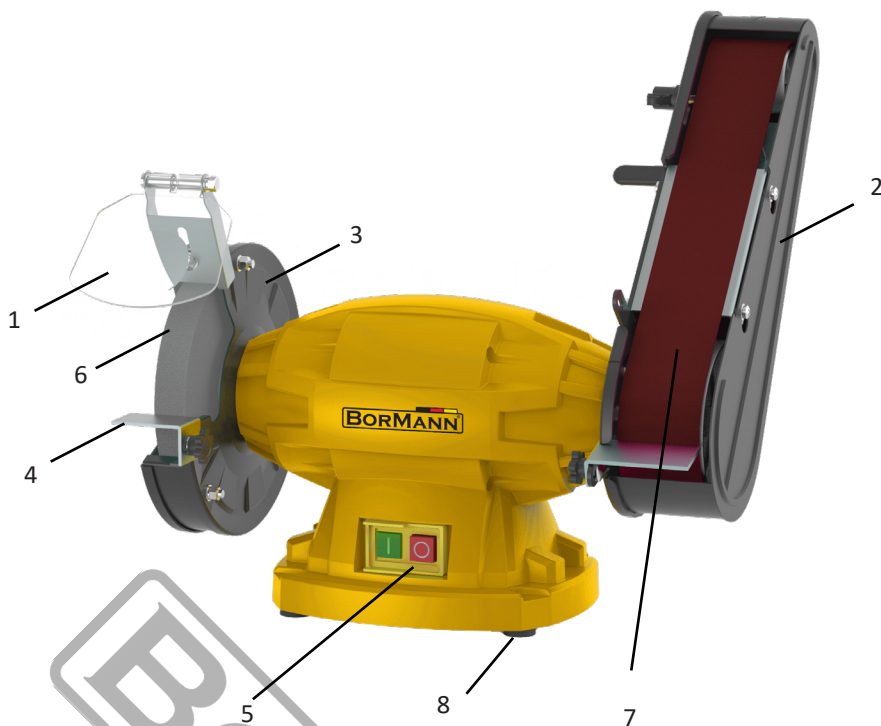


### Samo za države EU

Električnih orodij ne mečite skupaj z gospodinjskimi odpadki!

V skladu z Evropsko direktivo 2002/96/ES o odpadni električni in elektronski opremi ter njenim izvajanjem v skladu z nacionalno zakonodajo je treba izrabljena električna orodja zbirati ločeno in jih oddati v okoljsko ustrezen obrat za recikliranje.

**BORMANN**



DATE TEHNICE	
Model	BDT1520
Motor	Inducție
Putere	250 W S1 continuu - 350 W S6 10% intermitent
Dimensiunea roții	150 x 20 x 12,7 (mm)
Tensiune	230 Volt
Frecvență	50 Hz
Viteza de rotație	2980 RPM
Accesorii	centură

1	Ochelari de siguranță
2	Capac de protecție
3	Protecție
4	Sprijin pentru scule/repaus de lucru
5	Comutator ON/OFF
6	centură
7	Orificiu de susținere

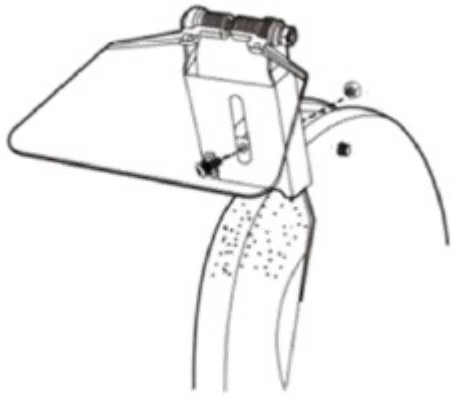
Fig. D	
a	Axa
b	Flanșă
c	Piuliță
d	Șurub
e	Apărătoare de roată

\* Producătorul își rezervă dreptul de a aduce modificări minore la designul și specificațiile tehnice ale produsului fără notificare prealabilă, cu excepția cazului în care aceste modificări afectează în mod semnificativ performanța și siguranța produselor. Piesele descrise / ilustrate în paginile manualului pe care îl țineți în mâini pot viza și alte modele din linia de produse ale producătorului cu caracteristici similare și pot să nu fie incluse în produsul pe care tocmai l-ați achiziționat.

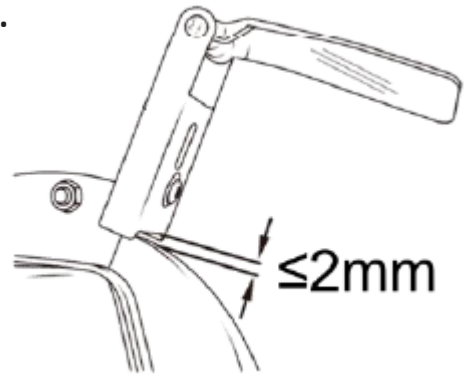
\* Pentru a asigura siguranța și fiabilitatea produsului, precum și valabilitatea garanției, toate lucrările de reparații, inspecții, reparații sau înlocuiri, inclusiv întreținerea și reglajele speciale, trebuie să fie efectuate numai de către tehnicienii ai departamentului de service autorizat al producătorului.

\* Utilizați întotdeauna produsul cu echipamentul furnizat. Funcționarea produsului cu echipamente care nu sunt furnizate poate cauza defecțiuni sau chiar vătămări grave sau chiar moartea. Producătorul și importatorul nu sunt răspunzători pentru vătămările și daunele rezultate din utilizarea unui echipament neconform.

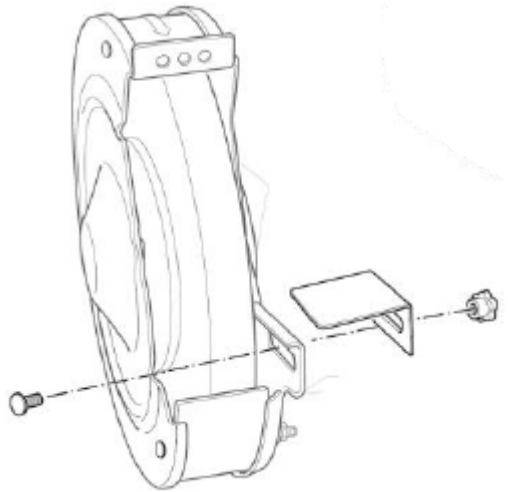
A.



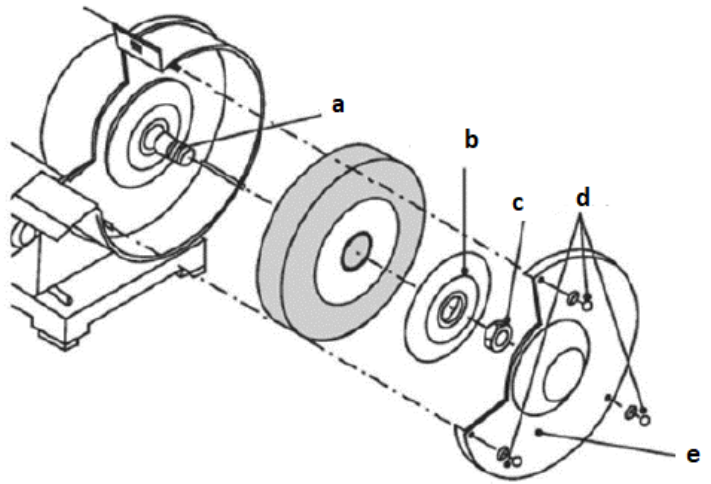
B.



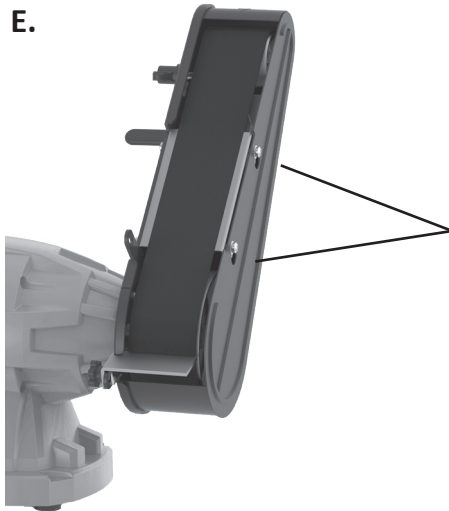
C.



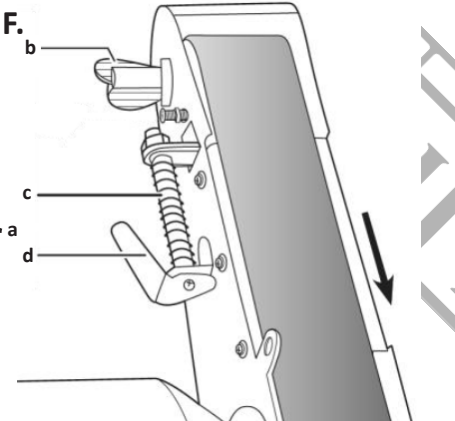
D.



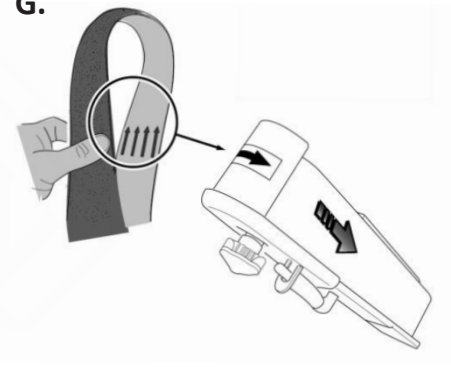
E.



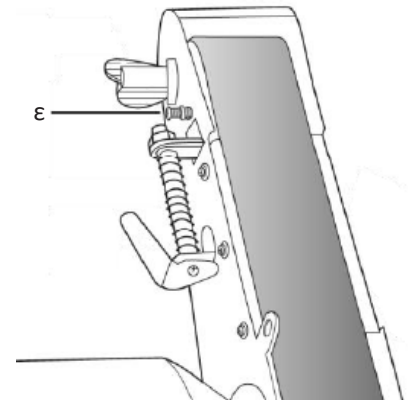
F.



G.



H.



## INSTRUCȚIUNI DE SIGURANȚĂ

**PERICOL!** Nerespectarea oricăreia dintre următoarele instrucțiuni ar putea duce la vătămări corporale grave ale utilizatorilor sculei și ale trecătorilor sau la deteriorarea sculei și a bunurilor!

**AVERTISMENT** - Citiți, înțelegeți și respectați toate instrucțiunile din acest manual înainte de a utiliza sau de a opera unealta pentru care a fost scris și furnizat. Asigurați-vă că orice persoană care urmează să utilizeze unealta a citit și a înțeles instrucțiunile furnizate.

- Purtați întotdeauna ochelari de protecție care să fie în conformitate cu un standard recunoscut (CSA sau ANSI).
  - Purtați o mască sau un aparat de respirat atunci când se generează praf.
  - Țineți persoanele aflate în preajmă departe de zona de lucru atunci când folosiți unealta.
  - **AVERTISMENT!** Asigurați-vă întotdeauna că zona de lucru este liberă de materiale, lichide sau gaze inflamabile, deoarece utilizarea acestui instrument poate crea scântei.
  - Strângeți piulițele roților de șlefuit, fixați șuruburile și toate clemele și protecțiile.
  - În timpul fiecărei porniri, stați pe o parte a roții duble și activați-o prin apăsarea butonului "ON". Lăsați roata dublă să funcționeze la viteză maximă timp de aproximativ un minut pentru a permite apariția oricăror defecte sau fisuri nedetectate.
  - Păstrați bara (barelor) de protecție la locul lor cu funcționare corectă.
  - Țineți-vă mâinile departe de roata (roțile) de rectificat.
  - Nu atingeți niciodată partea din spate sau de jos a discurilor de șlefuit.
  - Deconectați scula de la sursa de alimentare înainte de orice operațiune de reglare sau întreținere. Discurile de rectificat continuă să se rotească și după ce scula este deconectată. Lăsați întotdeauna roțile să se oprească complet înainte de orice operațiune de reglare sau întreținere.
  - Pentru a evita șocurile electrice, NU utilizați unealta în condiții de umiditate și nu o expuneți la ploaie.
  - Atunci când instalați o nouă roată de rectificat, verificați întotdeauna dacă turația maximă indicată este egală sau mai mare decât cea indicată pe polizor. De asemenea, verificați dacă noua roată nu prezintă deteriorări, cum ar fi imperfecțiuni sau crăpături. Dacă roata pare să fie în stare satisfăcătoare, montați-o pe polizor.
  - După ce a fost montată o nouă roată de rectificat, stați pe o parte a sculei și apăsați "ON". Lăsați scula să funcționeze la viteză maximă timp de aproximativ un minut pentru a permite apariția oricăror imperfecțiuni sau fisuri nedetectate.
  - Utilizați numai accesoriile recomandate de producător pentru modelul în cauză.
  - NU încercați să tăiați nimic cu roata de șlefuit.
  - Unelele cu împământare trebuie să fie conectate la o priză instalată și împământată corespunzător, în conformitate cu toate codurile și reglementările locale. Nu îndepărtați niciodată împământarea și nu o modificați în niciun fel. Nu utilizați fișe adaptoare (adaptoare). În cazul în care există îndoieli cu privire la faptul că priza este corect împământată, consultați un electrician calificat.
  - Nu utilizați instrumentul când sunteți obosit sau sub influența alcoolului sau a drogurilor.
  - Nu purtați haine largi sau bijuterii. Țineți-vă părul legat.
- Asigurați-vă că întrerupătorul de alimentare este oprit înainte de a conecta unealta.
- **AVERTISMENT!** Înlocuiți imediat roata (roțile) de rectificat dacă acestea devin crăpate.
  - Nu strângeți prea tare piulițele arborelui.
  - Întreținerea acestor unelte trebuie efectuată numai de către personal tehnic autorizat și calificat.

### PREGĂTIRE

Înainte de a începe - Informații de siguranță

- Folosiți întotdeauna ochelari de protecție în conformitate cu un standard recunoscut (de exemplu: ANSI Z87.1) - (CSA sau ANSI).
- Purtați întotdeauna o mască sau un aparat de respirat atunci când se generează praf.
- Țineți persoanele aflate în preajmă departe de zona de lucru atunci când folosiți unealta.
- **AVERTISMENT!** Asigurați-vă întotdeauna că zona de lucru este liberă de materiale, lichide sau gaze inflamabile, deoarece utilizarea acestui instrument poate crea scântei.
- Nu purtați haine largi sau bijuterii. Țineți-vă părul legat.
- **AVERTISMENT!** Înlocuiți imediat roata (roțile) de rectificat care sunt crăpate. Nu strângeți excesiv piulițele arborelui.
- Nu șlefuiți NICIODATĂ cu partea laterală a roții. Rectificarea trebuie să aibă loc numai cu partea din față a roții.
- Nu aplicați NICIODATĂ presiune pe piesa de prelucrat atunci când roata de rectificat este rece. Roata trebuie încălzită prin aplicarea treptată a piesei de prelucrat.
- Nu utilizați NICIODATĂ mașina de rectificat fără apărătorii roților. Țineți degetele de la mâini și de la picioare departe de roată.

Înainte de a începe - Protecția împotriva electricității

În cazul unei funcționări defectuoase sau al unui scurtcircuit, împământarea asigură calea de minimă rezistență pentru electricitate și reduce riscul de șoc electric pentru operator. Această unealtă este echipată cu un cablu electric care are un conductor de împământare a echipamentului și o fișă de împământare. Ștecherul TREBUIE să fie conectat la o priză care este instalată și împământată corespunzător, în conformitate cu TOATE codurile și reglementările locale.

**NU MODIFICAȚI FIȘA FURNIZATĂ.** Dacă nu se potrivește în priză, instalați priza corespunzătoare cu ajutorul unui electrician.

Conectarea necorespunzătoare a conductorului de împământare a echipamentului poate duce la un risc crescut de șoc electric. Conductorul cu izolație verde (cu sau fără benzi galbene) este conductorul de împământare a echipamentului. Dacă este necesar să reparați sau să înlocuiți cablul electric sau fișa, NU conectați conductorul de împământare a echipamentului la un terminal purtător de curent.

**VERIFICAȚI** cu un electrician calificat sau cu personalul de service dacă nu înțelegeți pe deplin instrucțiunile de împământare sau dacă nu sunteți sigur că echipamentul este corect împământat.

## UTILIZAREA CABLULUI DE EXTENSIE

Folosiți numai prelungitoare cu 3 conductori, cu fișe cu 3 pini și prize cu 3 mufe care acceptă fișa sculei. Reparați sau înlocuiți imediat cablurile deteriorate sau uzate. Asigurați-vă că prelungitorul este conectat corect și în stare bună. Nu utilizați prelungitoare deteriorate. Înlocuiți întotdeauna un prelungitor care este deteriorat. Atunci când utilizați un prelungitor, asigurați-vă că acesta este suficient pentru a suporta curentul pe care îl va consuma scula. Un cablu subdimensionat va cauza o cădere de tensiune în linie, ceea ce va duce la pierderea de energie și la supraîncălzire. Înainte de a conecta motorul la linia de alimentare, asigurați-vă că întrerupătorul este în poziția OFF (oprit) și că curentul este evaluat cu cel de pe plăcuța de identificare a motorului. Funcționarea la o tensiune mai mică va deteriora motorul și nu este acoperită de garanție.

## DE-AMBALARE

1. Despachetați tot conținutul pachetului și așezați-l pe o suprafață plană și stabilă.
2. Îndepărtați toate materialele de ambalare și dispozitivele de transport (dacă există).
3. Asigurați-vă că tot conținutul pachetului este complet și nu prezintă deteriorări. Dacă lipsește vreo componentă sau dacă vreo componentă a fost deteriorată în timpul transportului, contactați distribuitorul local. Utilizarea unui produs deteriorat sau incomplet prezintă un risc de rănire și daune materiale.
4. Asigurați-vă că aveți toate piesele și uneltele necesare pentru asamblare și funcționare. Aceasta include echipamentul de protecție personală adecvat.

## PREGĂTIREA POLIZORULUI DE BANC

Fixarea polizorului de banc.

AVERTISMENT: Nu utilizați polizorul de banc decât dacă a fost mai întâi instalat în siguranță pe un banc de lucru adecvat.

Așezați aparatul pe un banc de lucru stabil și nivelat sau pe un suport pentru scule și asigurați-vă că este fixat corespunzător. Partea frontală a mașinii trebuie să fie ușor accesibilă după ce a fost fixată. Sursa de alimentare trebuie să fie amplasată la o distanță maximă de 100 - 150 cm de punctul de fixare a mașinii.

Asamblare a protecției pentru ochi din sticlă de protecție.

AVERTISMENT: Nu utilizați niciodată polizorul de banc decât dacă a fost instalată mai întâi sticla de protecție.

1. Aliniați fanta brațului de protecție din sticlă cu fanta situată în partea superioară a protecției polizorului de banc și procedați la fixarea cu ajutorul unui șurub și al unei piulițe.
2. Asigurați-vă că distanța dintre brațul de protecție a sticlei și roată nu depășește 2 mm (fig. A, B).

Asamblarea suprafeței de susținere a piesei de prelucrat.

Suprafața de susținere a piesei de prelucrat se instalează astfel încât spațiul dintre roată și suprafața de susținere să nu depășească 2 mm.

1. Așezați suprafața de sprijin a piesei de prelucrat pe șina de protecție a roții. Asigurați-vă că suprafața de sprijin este "orientată" în direcția corectă. Colțul curbat trebuie să fie "orientat" în direcția opusă roții.
2. Treceți șurubul prin fanta din șină și prin suprafața de montare.
3. Așezați canelura și șaiba pe capătul șurubului de pe cealaltă parte.
4. Fixați șurubul cu ajutorul butonului (Fig. C)

Instalarea roții din stânga

AVERTISMENT: Înainte de a efectua orice operațiune de instalare sau înlocuire a roților, asigurați-vă că mașina este oprită și deconectată de la sursa de alimentare.

1. Îndepărtați șuruburile de la apărătoarea roții și apoi scoateți-o.
  2. Îndepărtați piulița de pe axă cu ajutorul unei chei potrivite. Piulița de pe axa dreaptă are un filet în sensul acelor de ceasornic, în timp ce piulița de pe axa stângă are un filet în sens invers acelor de ceasornic.
- firul.
3. Îndepărtați garnitura exterioară de pe arbore.
  4. Așezați roata pe arbore și, odată așezată în poziție, rotiți roata cu mâna pentru a confirma că roata se mișcă liber și nu intră în contact cu nici un element suprafață.
  5. Reinstalați garnitura, piulița și bara de protecție.
  6. Conectați mașina la sursa de alimentare, porniți-o și lăsați roata să se rotească fără încărcătură timp de un minut la viteză maximă pentru a vă asigura că nu există fisuri. (Fig. D)

AVERTISMENT: Înainte de a slăbi/să strângeți piulița arborelui, țineți arborele fixat cu ajutorul unei a doua chei pe piulița curelei.

## Instalarea/înlocuirea curelei

**AVERTISMENT:** Înainte de a efectua orice operațiune de instalare sau înlocuire a curelei, asigurați-vă că mașina este oprită și deconectată de la sursa de alimentare.

1. Deșurubați cele 2 șuruburi (a) de pe partea laterală a apărătorii de bandă și scoateți apărătoarea de bandă (a se vedea figura E).
2. Slăbiți șurubul de fixare (b) al rolei de bandă (a se vedea figura F).
3. Împingeți pârghia de tensionare a curelei (d) în jos pentru a slăbi tensiunea arcului (c) și scoateți cureaua (Figura F,G).
4. Glisați noua curea peste cele două role, asigurându-vă că este aplicată uniform pe toată lățimea ei. Asigurați-vă că săgeata de pe interiorul benzii este îndreptată în direcția în care se va deplasa cureaua (a se vedea figura G).
5. Împingeți rola superioară în sus și, în timp ce o mențineți acolo, împingeți maneta de tensionare a curelei în sus.
6. Strângeți din nou șurubul de fixare a rolei de bandă.
7. Reglați traseul benzii așa cum este descris în următoarea subsecțiune.
8. Reinstalați protecția curelei și fixați-o prin reinstalarea celor 2 șuruburi de pe partea laterală a protecției.

## Reglarea traiectoriei curelei

**AVERTISMENT:**

- Dacă traseul curelei este setat incorect, se pot produce deteriorări ale mașinii și ale curelei.
- Nu folosiți aparatul dacă banda nu este reglată corespunzător.
- Nu folosiți mașina dacă cureaua nu funcționează corect. În unele cazuri, poate fi nevoie de mai multe încercări pentru a regla cureaua. Poate fi necesar să re poziționați cureaua pe role și să repetați procesul de reglare până când cureaua este plasată corect.

1. Rotiți cureaua cu mâna și verificați dacă aceasta trece prin centrul ambelor role.
2. Reglați traseul curelei prin rotirea șurubului de reglare a traseului curelei (ε) (Fig. H). Prin rotirea șurubului de reglare a traseului benzii în sensul acelor de ceasornic, traseul este reglat spre stânga. Prin rotirea șurubului de reglare a traiectoriei benzii în sens invers acelor de ceasornic se reglează traiectoria spre dreapta.

## Operațiune

### CONEXIUNE LA SURSA DE ALIMENTARE

**AVERTISMENT:** Verificați tensiunea. Tensiunea sursei de alimentare trebuie să corespundă cerințelor de tensiune ale sculei, așa cum sunt enumerate pe eticheta de clasificare a sculei.

**AVERTISMENT:** Înainte de a conecta mașina la sursa de alimentare, asigurați-vă că întrerupătorul ON/OFF este în poziția oprit.

Conectați aparatul la o sursă de alimentare de 230 V ~ 50 Hz cu împământare corespunzătoare, a cărei priză este compatibilă cu fișa aparatului.

### PORNIREA/OPRIREA

Înainte de a conecta mașina la sursa de alimentare, rotiți roata și cureaua cu mâna pentru a vă asigura că acestea se rotesc liber.

- Pentru a porni aparatul, poziționați comutatorul ON/OFF în poziția "I".
- Pentru a opri aparatul, poziționați comutatorul PORNIT/OPRIT în poziția "O".

**Notă importantă:** Pot fi selectate două opțiuni de funcționare: 250 W (S1) continuu / 350 W S6 10 %. Modul de funcționare S6 10 % este echivalent cu o funcționare continuă cu încărcare intermitentă. Pentru a evita supraîncălzirea nepermisă a motorului, motorul trebuie acționat doar 10% din timpul de funcționare cu puterea nominală stipulată.

## Instrucțiuni generale

1. Înainte de fiecare utilizare, verificați roata și cureaua și asigurați-vă că nu sunt deteriorate.
  2. După ce porniți mașina, așteptați până când aceasta atinge viteza maximă înainte de a începe lucrul.
  3. Geamul de siguranță este reglabil și ar trebui poziționat astfel încât să ofere operatorului un câmp vizual clar prin el.
  4. Țineți piesa de prelucrat pe suprafața de sprijin și introduceți-o ușor și uniform în roată.
  5. Reglarea corectă a suprafețelor de susținere a piesei de prelucrat va asigura unghiul de lucru corect pentru o rectificare eficientă. Pe măsură ce diametrul discului este supus uzurii, va trebui să re ajustați poziția suprafeței de sprijin.
- Fixați polizorul de banc pe o suprafață orizontală și stabilă înainte de a-l utiliza. Poziționarea polizorului de banc spre capătul din față al bancului va facilita manevrarea sculelor lungi.
- Dacă este posibil, lăsați suficient spațiu în partea stângă a mașinii pentru a permite accesul ușor la roată.
- O metodă alternativă constă în fixarea mașinii pe o foaie de placaj, care ar putea fi apoi ținută prin mijloace adecvate pe o bancă sau pe o masă pentru a oferi polizorului de banc poziția cea mai convenabilă; înainte de a utiliza mașina, asigurați-vă că geamul de protecție este poziționat cât mai aproape de suprafața roții pentru a împiedica evadarea scânteilor.
- Este o măsură de precauție rezonabilă să folosiți ochelari de protecție atunci când utilizați polizorul de banc. Mașina poate fi utilizată pentru a șlefui profile sau practic orice unealtă de tăiere, dălți, burghie, burghie etc. Cu toate acestea, trebuie avut grijă să nu se șlefuiască o sculă prea tare sau prea mult timp pentru a evita supraîncălzirea.

## ÎNȚREȚINERE ȘI CURĂȚARE

AVERTISMENT: Înainte de a efectua orice operațiune de întreținere, curățare sau reparare a aparatului, opriți aparatul, deconectați-l de la sursa de alimentare și așteptați câteva minute pentru a se răci.

AVERTISMENT: Efectuați numai lucrările de întreținere și reparații specificate în acest manual. Orice altă lucrare trebuie efectuată de către un centru de asistență tehnică autorizat.

1. Păstrați aparatul curat. Îndepărtați orice resturi de pe el după fiecare utilizare și înainte de a-l depozita.
2. O curățare regulată și adecvată va contribui la asigurarea siguranței și la prelungirea duratei de viață a mașinii.
3. Inspectați mașina înainte de fiecare utilizare pentru a verifica dacă există piese uzate sau deteriorate. Nu folosiți aparatul dacă găsiți vreo componentă ruptă sau uzată.
4. Curățați aparatul folosind o cârpă uscată. Utilizați o perie pentru zonele în care accesul nu este ușor. Evitați să folosiți solvenți atunci când curățați piesele din plastic. Majoritatea pieselor din plastic sunt susceptibile de deteriorare în urma utilizării solvenților.
5. Verificați dacă există piese uzate sau deteriorate. Înlocuiți piesele uzate, dacă este necesar, sau contactați un centru de asistență tehnică autorizat pentru a efectua reparațiile necesare.
6. Toți rulmenții mașinii au fost lubrifiați în mod adecvat pentru durata de viață a mașinii în condiții normale de funcționare și, prin urmare, nu este necesară o lubrifiere suplimentară.
7. În cazul în care cablul de alimentare este deteriorat în vreun fel, asigurați-vă că acesta este înlocuit imediat de către un centru de asistență tehnică autorizat înainte de a utiliza din nou aparatul.

### Întreținere necesară

- a. Verificați cablul.
- b. Verificați roata pentru orice semn de uzură.
- c. Verificați alinierea și conectarea pieselor mobile.
- d. Repararea roților abrazive.
- e. Înlocuirea discurilor abrazive.
- f. Curățați și evacuați praful de pe motor și de pe piesele roților.

### Frecvență

Înainte de fiecare utilizare  
 Înainte de fiecare utilizare  
 Înainte de fiecare utilizare  
 Ori de câte ori este necesar  
 Ori de câte ori este necesar  
 Ori de câte ori este necesar

Service-ul, așa cum s-a menționat mai sus, în plus față de întreținerea recomandată pentru aceste unelte, trebuie efectuat numai de către un tehnician/personal autorizat și calificat.

## DEPOZITARE ȘI TRANSPORT

1. Curățați mașina așa cum s-a descris mai sus.
2. Depozitați aparatul și componentele sale în ambalajul original într-un loc uscat și ferit de îngheț. Temperatura ideală de depozitare este cuprinsă între 10°C și 30°C
3. Depozitați întotdeauna aparatul într-o zonă care nu este accesibilă copiilor.
4. Opriți aparatul și deconectați-l de la sursa de alimentare înainte de a încerca să îl transportați oriunde.
5. Instalați dispozitivele de protecție pentru transport, dacă sunt prevăzute.
6. Protejați aparatul de șocuri sau vibrații puternice care pot apărea în timpul transportului cu un vehicul.
7. Fixați mașina în mod corespunzător pentru a preveni alunecarea și/sau căderea acesteia.



DEPANARE		
Probleme posibile	Cauză posibilă	Remediu
Motorul nu pornește.	<ol style="list-style-type: none"> <li>1. Tensiune joasă.</li> <li>2. Circuit deschis în motor sau conexiuni slăbite.</li> <li>3. Defecțiune la siguranța sau decuplaj.</li> </ol>	<ol style="list-style-type: none"> <li>1. Verificați dacă sursa de alimentare are tensiunea corespunzătoare.</li> <li>2. Verificați dacă există conexiuni slăbite sau deschise (este necesară o intervenție de service).</li> <li>3. Scurtcircuit (este necesar un serviciu de service).</li> <li>4. Incompatibilitate între sculă și circuit, siguranță sau deconectare.</li> </ol>
Motorul nu pornește - siguranțele și întrerupătoarele de deconectare sunt declanșate..	<ol style="list-style-type: none"> <li>1. Scurtcircuit în linie, cablu sau fișă.</li> <li>2. Scurtcircuit în motor sau conexiuni slăbite.</li> <li>3. Siguranțe sau deconectoare defecte în linia de distribuție.</li> </ol>	<ol style="list-style-type: none"> <li>1. Inspectați cablul și/sau fișa pentru a verifica dacă izolația este deteriorată și dacă există conductori în scurtcircuit.</li> <li>2. Inspectați toate conexiunile la motor pentru a verifica dacă există terminale slăbite sau scurtcircuitate și/sau izolație deteriorată.</li> <li>3. Instalați siguranțe adecvate sau întrerupătoare de deconectare sau înlocuiți echipamentul pentru a corespunde unui circuit de dimensiuni adecvate.</li> </ol>
Motorul se supraîncălzește.	<ol style="list-style-type: none"> <li>1. Motorul a primit o sarcină mai mare decât cea maximă posibilă.</li> <li>2. Cablul de prelungire este prea lung și cu o greutate insuficientă.</li> </ol>	<ol style="list-style-type: none"> <li>1. Reduceți sarcina motorului.</li> <li>2. Folosiți un prelungitor de greutate și lungime corespunzătoare sau conectați-l direct la priză.</li> </ol>
Motorul se oprește (ceea ce duce la arderea siguranțelor sau la întreruperea/întreruperea circuitului).	<ol style="list-style-type: none"> <li>1. Scurtcircuit în motor sau conexiuni slăbite.</li> <li>2. Tensiune joasă.</li> <li>3. Siguranțe sau întrerupătoare de deconectare defecte pe linie.</li> <li>4. Supraîncărcarea motorului.</li> </ol>	<ol style="list-style-type: none"> <li>1. Inspectați conexiunile la motor pentru a verifica dacă există terminale slăbite sau scurtcircuitate sau izolație uzată (este necesară o intervenție de service).</li> <li>2. Corectări cauzele tensiunii scăzute (de exemplu, lungimea necorespunzătoare a cablului de prelungire și/sau greutatea cablului de prelungire).</li> <li>3. Instalați siguranțe sau întrerupătoare de circuit adecvate sau conectați scula la un circuit adecvat, cuplat cu o siguranță sau un întrerupător de deconectare adecvat.</li> <li>4. Reduceți sarcina motorului.</li> </ol>
Motorul încetinește în timpul funcționării.	Viteza de avans este foarte mare.	Reduceți viteza cu care piesa de prelucrat este introdusă în zona de lucru a sculei (roata abrazivă).
Piesa de prelucrat are o suprafață ondulată.	<ol style="list-style-type: none"> <li>1. Mașina vibrează.</li> <li>2. Piesa de lucru nu este ținută stabilă.</li> <li>3. Partea din față a roții este neuniformă.</li> <li>4. Roata este prea tare.</li> </ol>	<ol style="list-style-type: none"> <li>1. Asigurați-vă că aparatul este fixat în siguranță pe un suport solid.</li> <li>2. Utilizați un dispozitiv de fixare a piesei de prelucrat.</li> <li>3. Restructurați roata abrazivă cu unealta corespunzătoare.</li> <li>4. Utilizați o roată mai moale sau reduceți viteza de avans.</li> </ol>
A prezentat liniile din pe suprafața piesei de prelucrat.	<ol style="list-style-type: none"> <li>1. Impurități pe suprafața roții.</li> <li>2. Piesa de prelucrat nu este ținută ferm.</li> </ol>	<ol style="list-style-type: none"> <li>1. Restructurați roata.</li> <li>2. Utilizați un dispozitiv de susținere pentru stabilitatea piesei de prelucrat.</li> </ol>
Mărci sau fisuri pe piesa de prelucrat.	<ol style="list-style-type: none"> <li>1. Tip de roată abrazivă necorespunzător.</li> <li>2. Viteză de avans necorespunzătoare.</li> <li>3. Lichid de răcire necesar.</li> </ol>	<ol style="list-style-type: none"> <li>1. Încercați roți cu o conexiune mai moale sau cu mai multe așchii de oțel ascuțite</li> <li>2. Reduceți viteza cu care piesa de prelucrat este alimentată la roată.</li> <li>3. Adăugați lichid de răcire.</li> </ol>
Roata se tocește foarte repede, iar așchiile de oțel cad.	<ol style="list-style-type: none"> <li>1. Viteza de avans este foarte agresivă.</li> <li>2. Roata este moale.</li> <li>3. Diametrul roții este prea mic.</li> <li>4. Repararea slabă a roților abrazive.</li> <li>5. Conexiune defectuoasă a roților.</li> </ol>	<ol style="list-style-type: none"> <li>1. Reduceți viteza de avans a piesei de prelucrat către roata abrazivă.</li> <li>2. Selectați o roată abrazivă cu o conexiune de material mai dură.</li> <li>3. Înlocuiți roata.</li> <li>4. Reparați roata.</li> <li>5. UTILIZARE INTERZISĂ - PERICOL !</li> </ol> <p>Returnați roata la punctul de achiziție.</p>

<p>Roata se înfundă/înfundă și apar urme de arsură pe piesa de prelucrat.</p>	<ol style="list-style-type: none"><li>1. Roata este prea tare.</li><li>2. Viteza de avans este prea mică.</li><li>3. Reparația slabă a roților.</li><li>4. Lichid de răcire necesar.</li></ol>	<ol style="list-style-type: none"><li>1. Selectați o roată de șlefuit cu o conexiune de material mai moale.</li><li>2. Creșteți viteza de avans a piesei de prelucrat la rectificarea roată.</li><li>3. Reparați roata.</li><li>4. Introduceți lichid de răcire.</li></ol>
---	--	--



## Eliminarea mediului

Pentru a evita deteriorarea în timpul transportului, unealta trebuie să fie livrată într-un ambalaj solid. Ambalajul, precum și unitatea și accesoriile sunt fabricate din materiale reciclabile și pot fi eliminate în mod corespunzător. Părțile din plastic ale sculei sunt marcate în funcție de materialul lor, ceea ce face posibilă eliminarea ecologică și diferențiată datorită facilităților de colectare disponibile.



### Numai pentru țările UE

Nu aruncați sculele electrice împreună cu deșeurile menajere!

În conformitate cu Directiva europeană 2002/96/CE privind deșeurile de echipamente electrice și electronice și cu punerea în aplicare a acesteia în conformitate cu legislația națională, sculele electrice scoase din uz trebuie colectate separat și returnate la o instalație de reciclare care respectă normele de mediu.

**BORMANN**

**EL**

Τα ηλεκτρικά εργαλεία έχουν κατασκευαστεί με αυστηρά πρότυπα που έχει θέσει η εταιρεία και συνάδουν με τα ευρωπαϊκά πρότυπα ποιότητας. Για τα ηλεκτρικά εργαλεία της εταιρείας μας παρέχεται περίοδος εγγύησης 24 μηνών για ερασιτεχνική χρήση, 12 μηνών για επαγγελματική χρήση και 6 μηνών για τις μπαταρίες. Η ισχύς της εγγύησης ξεκινά από την ημερομηνία αγοράς του προϊόντος. Αποδεικτικό του δικαιώματος της εγγύησης αποτελεί το παραστατικό αγοράς του εργαλείου (απόδειξη λιανικής ή τιμολόγιο). Σε καμία περίπτωση η εταιρεία δεν καλύπτει τη σχετική δαπάνη ανταλλακτικών και εργασίας εάν και εφόσον δε συνοδεύεται από αντίγραφο του παραστατικού αγοράς. Σε περίπτωση που η επισκευή πρέπει να γίνει στο service μας η δαπάνη μεταφοράς (από και προς) βαρύνει εξ' ολοκλήρου τον αποστολέα. Τα εργαλεία αποστέλλονται για την επισκευή τους στην εταιρεία ή σε εξουσιοδοτημένο συνεργείο με τον ενδεδειγμένο τρόπο και μέσο μεταφοράς.

**ΕΞΑΙΡΕΣΕΙΣ ΚΑΙ ΠΕΡΙΟΡΙΣΜΟΙ ΤΗΣ ΕΓΓΥΗΣΗΣ:**

- 1) Ανταλλακτικά που φθείρονται φυσιολογικά από τη χρήση τους (καρβουνάκια, καλώδιο, διακόπτες, φορτιστές, τσοκ κ.λ.π).
- 2) Εργαλεία που έχουν υποστεί ζημιές από τη μη συμμόρφωση με τις οδηγίες του κατασκευαστή.
- 3) Εργαλεία με ελλιπή συντήρηση.
- 4) Χρήση μη ενδεδειγμένων λιπαντικών ή εξαρτημάτων.
- 5) Εργαλεία που έχουν δοθεί χωρίς επιβάρυνση.
- 6) Βλάβη που οφείλεται σε ηλεκτρική σύνδεση σε τάση διαφορετική από την αναγραφόμενη στην πινακίδα συσκευής.
- 7) Σύνδεση σε μη γειωμένο ρευματοδότη.
- 8) Μεταβολή της τάσης του ρεύματος.
- 9) Βλάβη που προκύπτει από τη χρήση αλμυρού νερού (π.χ πλαστικά, αντλίες).
- 10) Βλάβη ή κακή λειτουργία που έχει προκύψει από πλημμελή καθαρισμό του εργαλείου.
- 11) Επαφή του εργαλείου με χημικά, ή βλάβη από υγρασία, διάβρωση.
- 12) Εργαλεία που έχουν υποστεί τροποποιήσεις – αλλαγές ή έχουν ανοιχτεί από μη εξουσιοδοτημένο συνεργείο.
- 13) Εργαλεία που χρησιμοποιούνται για νοίκιαση.

Η εγγύηση καλύπτει αποκλειστικά τη δωρεάν αντικατάσταση του εξαρτήματος που έχει κατασκευαστικό ελάττωμα ή αστοχία υλικού. Σε περίπτωση έλλειψης ανταλλακτικού η εταιρεία διατηρεί το δικαίωμα αντικατάστασης του εργαλείου με άλλο αντίστοιχο μοντέλο. Μετά τη διεκπεραίωση εγγύησης δεν επιμηκύνεται ούτε ανανεώνεται ο χρόνος εγγύησης του εργαλείου. Αντικατάσταση ανταλλακτικού με χρέωση επισκευής, καλύπτεται από 1 χρόνο εγγύησης καλής λειτουργίας, με προϋπόθεση την τήρηση των όρων εγγύησης. Τα ανταλλακτικά ή τα εργαλεία τα οποία αντικαθίστανται παραμένουν στην κατοχή της εταιρείας μας. Άλλες απαιτήσεις, εκτός από αυτές που αναφέρονται σε αυτό το έντυπο εγγύησης επισκευής ή βλαβών ηλεκτρικών εργαλείων, δεν ισχύουν. Για την εγγύηση αυτή ισχύει το ελληνικό Δίκαιο.

**EN**

The power tools have been manufactured according to strict standards, set by our company, which are aligned with the respective European quality standards. The power tools of our company are provided with a warranty period of 24 months for non-professional use, 12 months for professional use and 6 months for batteries. The warranty is valid from the date of purchase of the product. Proof of the warranty right is the purchase document of the tool (retail receipt or invoice). Under no circumstances shall the company cover the relevant cost of spare parts and respective required working hours unless a copy of the purchase document is presented. In case the repair has to be done by our service department the cost of transportation (to and from) is entirely borne by the sender (client). The tools must be sent for repair to the company or to an authorized workshop in the appropriate way and means of transport.

**WARRANTY EXEMPTIONS AND RESTRICTIONS:**

- 1) Spare parts that wear out naturally as a consequence of being used (brushes, cables, switches, chargers, chokes etc.).
- 2) Tools damaged as a result of non-compliance with the instructions of the manufacturer.
- 3) Tools poorly maintained.
- 4) Use of improper lubricants or accessories.
- 5) Tools given to third entities free of charge.
- 6) Damage due to an electrical connection at a voltage other than that indicated on the appliance plate.
- 7) Connection to a non-earthed power supply.
- 8) Change in current voltage.
- 9) Damage resulting from the use of salty water (e.g., washing machines, pumps).
- 10) Damage or malfunction resulting from improper cleaning procedure of the tool.
- 11) Contact of the tool with chemicals, or damage as a result of moisture or corrosion.
- 12) Tools that have been modified or opened by unauthorized personnel.
- 13) Tools used for rent.

The warranty covers only the free of charge replacement of the component that presents a manufacturing defect or material failure. In case of lack of a specific spare part the company reserves the right to replace the tool with another corresponding model. After all warranty procedures have been concluded, the warranty period of the tool shall not be extended or renewed. Replacement of a spare part with repair charge is covered by a 1 year warranty of good operation, subject to compliance with the warranty terms. The spare parts or tools that are replaced remain in the possession of our company. Requirements, other than those mentioned in this warranty form, regarding power tools repair or damage thereof, do not apply. Greek law and relative regulations apply to this warranty.

**FR**

Les outils électriques sont fabriqués selon des normes strictes, établies par notre société et se sont alignées sur les normes de qualité européennes respectives. Les outils électriques de notre société sont bénéficiés d'une garantie de 24 mois pour une utilisation non professionnelle, 12 mois pour une utilisation professionnelle et de 6 mois pour les batteries. La garantie est valable à partir de la date d'achat du produit. La preuve du droit à la garantie est le document d'achat de l'outil (ticket de caisse ou facture). En aucun cas, l'entreprise ne couvrira le coût des pièces de rechange et des heures de travail nécessaires si une copie du document d'achat n'est pas présentée. Si la réparation doit être effectuée par notre service après-vente, les frais de transport (aller- retour) sont entièrement à la charge de l'expéditeur (client). Les outils doivent être envoyés pour réparation à l'entreprise ou à un atelier agréé de la manière et avec le moyen de transport appropriée.

**EXEMPTIONS ET RESTRICTIONS DE GARANTIE:**

- 1) Les pièces de rechange qui s'usent naturellement suite à leur utilisation (balaise, câbles, interrupteurs, chargeurs, etc.).
- 2) Les outils endommagés à la suite du non-respect des instructions du fabricant.
- 3) Outils mal entretenus.
- 4) Utilisation de lubrifiants ou d'accessoires inappropriés.
- 5) Outils donnés à des tiers à titre gratuit.
- 6) Dommages dus à un mauvais branchement électrique ou à une tension différente de celle indiquée sur la plaque de l'appareil.
- 7) Connexion à une alimentation électrique non reliée à la terre.
- 8) Fluctuation de la tension inacceptable.
- 9) Dommages résultant de l'utilisation d'eau salée (par exemple, machines à laver, pompes).
- 10) Dommages ou dysfonctionnement résultant d'une procédure de nettoyage inadéquate de l'appareil.
- 11) Contact de l'outil avec des produits chimiques, ou dommages résultant de l'humidité ou de la corrosion.
- 12) Les outils qui ont été modifiés ou ouverts par du personnel non autorisé.
- 13) Les outils utilisés à location.

La garantie couvre uniquement le remplacement gratuit du composant qui présente un défaut de fabrication ou une défaillance matérielle. En cas d'absence d'une pièce de rechange spécifique, l'entreprise se réserve le droit de remplacer l'outil par un autre modèle correspondant. Après la conclusion de toutes les procédures de garantie, la période de garantie de l'outil ne sera pas prolongée ou renouvelée. Le remplacement d'une pièce de rechange, ainsi que les frais de réparation, sont couverts par une garantie de bon fonctionnement d'un an, sous réserve du respect des conditions de garantie. Les pièces de rechange ou les outils remplacés restent en possession de notre société. Les exigences, autres que celles mentionnées dans ce formulaire de garantie, concernant la réparation des outils électriques ou leur endommagement, ne sont pas applicables. La loi grecque et ses règlements s'appliquent à cette garantie.

**IT**

Gli elettrodomestici sono stati fabbricati secondo gli standard rigorosi, stabiliti dalla nostra azienda, che sono allineati con i rispettivi standard di qualità europei. Gli elettrodomestici della nostra azienda sono forniti con un periodo di garanzia di 24 mesi per uso non professionale, 12 mesi per uso professionale e 6 mesi per le batterie. La garanzia è valida dalla data di acquisto del prodotto. La prova del diritto di garanzia è il documento di acquisto dell'utensile (scontrino o fattura). In nessun caso l'azienda coprirà il relativo costo dei pezzi di ricambio e delle rispettive ore di lavoro necessarie se non viene presentata una copia del documento di acquisto. Nel caso in cui la riparazione debba essere effettuata dal nostro servizio di assistenza, il costo del trasporto (da e per) è interamente a carico del mittente (cliente). Gli utensili devono essere inviati per la riparazione all'azienda o ad un'officina autorizzata nel modo e nel mezzo di trasporto appropriato.

**ECCEZIONI E LIMITAZIONI ALLA GARANZIA:**

- 1) Pezzi di ricambio che si deteriorano naturalmente con l'uso (pezzi di consumo).
- 2) Utensili danneggiati dal mancato rispetto delle istruzioni del produttore.
- 3) Strumenti con manutenzione insufficiente.
- 4) Uso di lubrificanti o parti inappropriate.
- 5) Strumenti dati gratuitamente.
- 6) Guasto dovuto a un collegamento dell'aria compressa a una pressione diversa da quella indicata sulla targhetta dei dati tecnici.
- 7) Danni derivanti dall'uso di aria compressa impura e non filtrata.
- 8) Danni o malfunzionamenti derivanti da una pulizia inadeguata dell'utensile.
- 9) Contatto dell'utensile con prodotti chimici, o danni da umidità, corrosione.
- 10) Strumenti che hanno subito modifiche - cambiamenti o sono stati aperti da un'officina non autorizzata.
- 11) Strumenti utilizzati per il noleggio.
- 12) Strumenti che sono stati modificati o aperti da personale non autorizzato.
- 13) Strumenti utilizzati per il noleggio.

La garanzia copre solo la sostituzione gratuita del componente che presenta un difetto di fabbricazione o di materiale. In caso di mancanza di un pezzo di ricambio specifico, l'azienda si riserva il diritto di sostituire l'utensile con un altro modello corrispondente. Una volta concluse tutte le procedure di garanzia, il periodo di garanzia dell'utensile non potrà essere esteso o rinnovato. La sostituzione di un pezzo di ricambio, insieme al costo della riparazione, è coperta da una garanzia di buon funzionamento di 1 anno, a condizione che vengano rispettati i termini della garanzia. I pezzi di ricambio o gli utensili che vengono sostituiti rimangono in possesso della nostra azienda. I requisiti, diversi da quelli menzionati in questo modulo di garanzia, riguardanti la riparazione di utensili elettrici o il loro danneggiamento, non si applicano. La legge greca e i relativi regolamenti si applicano a questa garanzia.

**AL**

Mjetet e energjisë janë prodhuar sipas standardeve strikte, të vendosura nga kompania jonë, të cilat janë në përputhje me standardet respektive evropiane të cilësisë. Mjetet e energjisë të kompanisë sonë janë siguruar me një periudhë garancie prej 24 muajsh për përdorim jo profesional, 12 muaj për përdorim profesional dhe 6 muaj për bateritë. Garancia është e vlefshme nga data e blerjes së produktit. Prova e së drejtës së garancisë është dokumenti i blerjes së mjetit (faturë ose faturë me pakicë). Në asnjë rrethanë ndërmarrja nuk mbulon koston përkatëse të pjesëve të këmbimit dhe orarin përkatës të kërkuar të punës, përveç kur është paraqitur një kopje e dokumentit të blerjes. Në rast se riparimi duhet të bëhet nga departamenti ynë i shërbimit kostoja e transportit (për dhe nga) është tërësisht e mbajtur nga dërguesi (klienti). Mjetet duhet të dërgohen për riparim në ndërmarrje ose në një punishte të autorizuar në mënyrën dhe mjetet e duhura të transportit.

**PËRJASHTIMET DHE KUFIZIMET E GARANCISË:**

- 1) Pjesët rezervë që përdoren në mënyrë natyrale si pasojë e përdorur (furçat, kabllot, ndërruesit, karikuesit, mbytjet etj.).
- 2) Veglat e dëmtuara si rezultat i mosrespektimit të udhëzimeve të prodhuesit.
- 3) Mjetet e mbajtura keq.
- 4) Përdorimi i lubrifikantëve ose aksesoreve të papërshtatshëm.
- 5) Mjetet që u jepen enteve të treta pa pagesë.
- 6) Dëmtimi për shkak të një lidhje elektrike në një tension tjetër nga ai i treguar në pllakën e pajisjes.
- 7) Lidhja me furnizimin me energji jo tokësore.
- 8) Ndryshimi i tensionit aktual.
- 9) Dëmtimet që vijnë si pasojë e përdorimit të ujit të kripur (p.sh., lavatrice, pompa).
- 10) Dëmtimi ose mosfunksionimi që rezultojn nga procedura e papërshtatshme e pastrimit të mjetit.
- 11) Kontakti i mjetit me kimikate, ose dëmtimi si pasojë e lagështisë ose korrozionit.
- 12) Mjete që janë modifikuar ose hapur nga personel i paautorizuar.
- 13) Veglat e përdorura për qira.

Garancia mbulon vetëm zëvendësimin pa pagesë të komponentit që paraqet një defekt prodhues ose dështim material. Në rast të mungesës së një pjese rezervë specifike kompania rezervon të drejtën për të zëvendësuar mjetin me një model tjetër përkatës. Pasi të jenë përfunduar të gjitha procedurat e garancisë, periudha e garancisë së mjetit nuk do të zgjatet ose të rinovohet. Zëvendësimi i një pjese rezervë, së bashku me ngarkesën e riparimit, mbulohet nga një garanci veprimi e mirë 1 vit, subjekt i përputhjes me kushtet e garancisë. Pjesët e këmbimit ose mjetet që zëvendësohen mbeten në zotërim të kompanisë sonë. Kërkesat, përveç atyre të përmendura në këtë formë garancie, në lidhje me riparimin ose dëmtimin e mjeteve të energjisë elektrike, nuk zbatohen. Ligji grek dhe rregullat relative zbatohen për këtë garancia.

**SRB**

Električni alati su proizvedeni prema strogim standardima koje je postavila naša kompanija a koji su usklađeni sa odgovarajućim evropskim standardima kvaliteta. Električni alati naše kompanije imaju garantni rok od 24 meseca za neprofesionalnu upotrebu, 12 meseci za profesionalnu upotrebu i 6 meseci za baterije. Garancija važi od dana kupovine proizvoda. Dokaz za pravo na garanciju je dokument o kupovini električnog alata (maloprodajni račun ili faktura). Ni pod kojim okolnostima kompanija neće pokriti relevantne troškove rezervnih delova i potrebno odgovarajuće radno vreme ako se ne predoči kopija dokumenta o kupovini. U slučaju da popravku treba da uradi naš servis, troškove transporta (do i od) u potpunosti snosi pošiljalac (klijent). Električni alati za popravku se šalju u firmu gde su kupljeni ili u ovlašćeni servis i to tako da budu prikladno upakovani za transport.

**IZUZECI I OGRANIČENJA GARANCIJE:**

- 1) Rezervni delovi koji se prirodno troše kao posledica korišćenja (četkice, kablovi, prekiđači, punjači, prigušnice itd).
- 2) Alati oštećeni kao posledica nepoštovanja uputstva proizvođača.
- 3) Alati su loše održavani.
- 4) Upotreba neodgovarajućih maziva ili pribora.
- 5) Alati su dati trećim licima besplatno.
- 6) Oštećenje usled električnog priključka na napon koji nije naznačen na pločici uređaja.
- 7) Povezivanje na neuzemljeno napajanje.
- 8) Promena napona struje.
- 9) Oštećenja nastala upotrebom slane vode (npr. mašine za pranje veša, pumpe).
- 10) Oštećenje ili kvar nastao kao posledica nepravilne procedure čišćenja alata.
- 11) Kontakt alata sa hemikalijama ili oštećenje usled vlage ili korozije.
- 12) Alati koje je modifikovalo ili otvorilo neovlašćeno osoblje.
- 13) Alati koji se koriste za iznajmljivanje.

Garancija pokriva samo besplatnu zamenu komponente koja ima fabričku grešku ili materijalne nedostatke. U slučaju nedostatka rezervnog dela, kompanija zadržava pravo zamene električnog alata drugim odgovarajućim modelom. Nakon isteka garantnog roka, garantni rok električnog alata se ne produžava niti obnavlja. Rezervni delovi ili Električni alati koji su zamenjeni ostaju u posedu naše kompanije. Zamena rezervnog dela, zajedno sa naplatom popravke, pokrivena je garancijom za 1 godinu dobrog rada, koja podleže poštovanju uslova garancije. Zahtevi, osim onih navedenih u ovom obrascu garancije, u vezi sa popravkom električnog alata ili njegovim oštećenjem ne važe. Na ovu garanciju se primenjuju grčki zakoni i odgovarajući propisi.

## EN WARRANTY

This appliance is a quality product. It was designed in compliance with current technical standards and made carefully using normal, good quality materials. The warranty period is 24 months for non-professional use and 12 months for professional use and commences on the date of purchase, which can be verified by the receipt, invoice or delivery note. During this warranty period all functional errors, which, despite the careful treatment described in our operating manual, are verifiably due to material flaws, will be rectified by our after-sales service staff. The warranty takes the form that defective parts will be repaired or replaced with perfect parts free of charge at our discretion. Replaced parts will become our property. Repair work or the replacement of individual parts will not extend the warranty period nor will it result in a new warranty period being commenced for the appliance. No separate warranty period will commence for spare parts that may be needed. We cannot offer a warranty for damage and defects on appliances or their parts caused by the use of excessive force, improper treatment and servicing. This also applies for failures to comply with the operating manual and the installation or spare and accessory parts that are not included in our range of products. In the event of interference with or modifications to the appliance by unauthorized persons, the warranty will be rendered void. Damages that are attributable to improper handling, over loading, or natural wear and tear are excluded from the guarantee. Damages caused by the manufacturer or by a material defect will be corrected at no charge by repair or by providing spare parts. The prerequisite is that the equipment is handed over assembled, and complete with the proof of sale and guarantee. For a guarantee claim, only use the original packaging. That way, we can guarantee quick and smooth guarantee processing. Please send us the appliances post-paid or request a Freeway sticker. Unfortunately we will be unable to accept appliances that are not postpaid. The warranty does not cover parts that are subject to natural wear and tear. If you wish to make a warranty claim, report faults or order spare parts or accessories, please contact the after-sales center: Subject to change without prior notice.

## DE GARANTIE

Dieses Gerät ist ein Qualitätsprodukt. Es wurde gemäß den aktuellen technischen Standards entworfen und sorgfältig mit normalen, hochwertigen Materialien hergestellt. Die Garantiezeit beträgt 24 Monate bei nicht-professioneller Nutzung und 12 Monate bei professioneller Nutzung und beginnt mit dem Kaufdatum, was anhand von Quittung, Rechnung oder Lieferschein überprüft werden kann. Während dieser Garantiezeit werden alle Funktionsfehler, die trotz der in unserer Bedienungsanleitung beschriebenen sorgfältigen Behandlung nachweislich auf Materialfehler zurückzuführen sind, von unseren Kundendienstmitarbeitern behoben. Die Garantie besteht in der Form, dass defekte Teile nach unserem Ermessen kostenlos repariert oder durch einwandfreie Teile ersetzt werden. Ersetzte Teile werden unser Eigentum. Reparaturarbeiten oder der Austausch einzelner Teile verlängern die Garantiezeit nicht und führen nicht zu einer neuen Garantiezeit für das Gerät. Für eventuell verbrauchte Ersatzteile beginnt keine gesonderte Gewährleistungsfrist. Wir können keine Garantie für Schäden und Mängel an Geräten oder deren Teilen geben, die durch übermäßige Gewaltanwendung, unsachgemäße Behandlung und Wartung verursacht wurden. Dies gilt auch für die Nichtbeachtung der Bedienungsanleitung und der Montage- oder Ersatz- und Zubehörteile, die nicht in unserem Sortiment enthalten sind. Bei Eingriffen in die Änderung durch unbefugte Personen am Gerät erlischt die Garantie. Schäden, die auf unsachgemäße Behandlung, Überlastung oder natürliche Abnutzung zurückzuführen sind, sind von der Garantie ausgeschlossen. Schäden, die vom Hersteller oder durch einen Materialfehler verursacht werden, werden durch Reparatur oder Ersatzteillieferung kostenlos behoben. Voraussetzung ist, dass das Gerät zusammen mit dem Verkaufsbeleg und der Garantie zusammengebaut übergeben wird. Verwenden Sie für einen Garantieanspruch nur die Originalverpackung. Auf diese Weise können wir eine schnelle und reibungslose Garantieabwicklung gewährleisten. Bitte schicken Sie uns die Geräte im Nachhinein oder fordern Sie einen Freeway-Aufkleber an. Geräte, die nicht nachbezahlt werden, können wir leider nicht akzeptieren. Die Garantie erstreckt sich nicht auf Teile, die einem natürlichen Verschleiß unterliegen. Wenn Sie einen Garantieanspruch geltend machen, Fehler melden oder Ersatzteile oder Zubehör bestellen möchten, wenden Sie sich bitte an das Kundendienstcenter: Änderungen vorbehalten.

## FR GARANTIE

Cet appareil est un produit de qualité. Il a été conçu conformément aux normes techniques en vigueur et fabriqué avec soin à l'aide de matériaux usuels et de qualité. La période de garantie est de 24 mois pour une utilisation non professionnelle et 12 mois pour une utilisation professionnelle et débute à la date d'achat. Elle peut être vérifiée sur le reçu, la facture ou le bon de livraison. Pendant cette période de garantie, toutes les erreurs de fonctionnement qui, malgré le traitement minutieux décrit dans notre manuel d'utilisation, sont dues à des défauts matériels, seront corrigées par notre service après-vente. La garantie prend la forme que les pièces défectueuses seront réparées ou remplacées par des pièces parfaites gratuitement à notre discrétion. Les pièces remplacées deviendront notre propriété. Les travaux de réparation ou le remplacement de pièces individuelles ne prolongeront pas la période de garantie et n'entraîneront pas le début d'une nouvelle période de garantie pour l'appareil. Aucune période de garantie séparée ne commencera pour les pièces de rechange susceptibles d'être utilisées. Nous ne pouvons pas offrir de garantie pour les dommages et les défauts des appareils ou de leurs pièces causés par l'utilisation d'une force excessive, un traitement ou un entretien inapproprié. Ceci s'applique également aux cas de non-respect du manuel d'utilisation et de l'installation ou des pièces détachées et accessoires non compris dans notre gamme de produits. En cas d'interférence avec des modifications apportées à l'appareil par des personnes non autorisées, la garantie sera annulée. Les dommages résultant d'une mauvaise manipulation, d'un chargement excessif ou d'une usure naturelle sont exclus de la garantie. Les dommages causés par le fabricant ou par un défaut matériel seront corrigés gratuitement par la réparation ou par la fourniture de pièces de rechange. La condition préalable est que le matériel soit remis assemblé et accompagné de la preuve de vente et de la garantie. Pour une demande de garantie, utilisez uniquement l'emballage d'origine. De cette manière, nous pouvons garantir un traitement rapide et sans heurts des garanties. S'il vous plaît envoyez-nous les appareils post-payés ou demandez un autocollant Freeway. Malheureusement, nous ne pourrions pas accepter les appareils non post-payés. La garantie ne couvre pas les pièces soumises à une usure naturelle. Si vous souhaitez faire une demande de garantie, signaler un défaut ou commander des pièces de rechange ou des accessoires, veuillez contacter le service après-vente: Sujet à modification sans préavis.

## ESP GARANTÍA

Este aparato es un producto de calidad. Fue diseñado de acuerdo con las normas técnicas actuales y se hizo con cuidado utilizando materiales normales y de buena calidad. El período de garantía es de 24 meses para uso no profesional y de 12 meses para uso profesional y comienza en la fecha de compra, que puede verificarse mediante el recibo, la factura o la nota de entrega. Durante este período de garantía, todos los errores funcionales que, a pesar del tratamiento cuidadoso que se describen en nuestro manual de operación, son verificables debido a fallas materiales, serán corregidos por nuestro personal de servicio postventa. La garantía adquiere la forma de que las piezas defectuosas se repararán o reemplazarán con piezas perfectas de forma gratuita a nuestra discreción. Las partes reemplazadas se convertirán en nuestra propiedad. Los trabajos de reparación o el reemplazo de piezas individuales no ampliarán el período de garantía, no dará lugar a que se comience un nuevo período de garantía para el aparato. No se iniciará ningún período de garantía por separado para las piezas de repuesto que puedan ser utilizadas. No podemos ofrecer una garantía por daños y defectos en los aparatos o sus partes causados por el uso excesivo de la fuerza, el tratamiento y el servicio incorrectos. Esto también se aplica a las fallas en el cumplimiento del manual de operación y la instalación o piezas de repuesto y accesorios que no están incluidos en nuestra gama de productos. En caso de interferencia con modificaciones al aparato por parte de personas no autorizadas, la garantía quedará anulada. Los daños que son atribuibles a un manejo inadecuado, sobrecarga o desgaste natural están excluidos de la garantía. Los daños causados por el fabricante o por un defecto de material se corregirán sin costo alguno por reparación o proporcionando piezas de repuesto. El requisito previo es que el equipo se entregue ensamblado y se complete con el comprobante de venta y garantía. Para una reclamación de garantía, utilice únicamente el embalaje original. De esta manera, podemos garantizar un rápido y suave procesamiento de garantías. Por favor, envíenos los electrodomésticos con pospago o solicite una etiqueta de Freeway. Lamentablemente, no podremos aceptar aparatos que no sean de pospago. La garantía no cubre las piezas que están sujetas a desgaste natural. Si desea realizar un reclamo de garantía, informar fallas o solicitar piezas de repuesto o accesorios, comuníquese con el centro de postventa: Sujeto a cambios sin previo aviso.



## IT

### GARANZIA

Questo apparecchio è un prodotto di qualità. È stato progettato in conformità con le attuali norme tecniche e realizzato con attenzione utilizzando materiali normali di buona qualità. Il periodo di garanzia è di 24 mesi per uso non professionale e di 12 mesi per uso professionale e decorre dalla data di acquisto, che può essere verificata tramite ricevuta, fattura o bolla di consegna. Durante questo periodo di garanzia tutti gli errori funzionali, che, nonostante l'accurato trattamento descritto nel nostro manuale operativo, sono verificabili a causa di difetti dei materiali, verranno risolti dal nostro personale di assistenza post-vendita. La garanzia assume la forma che le parti difettose saranno riparate o sostituite con parti perfette gratuitamente a nostra discrezione. Le parti sostituite diventeranno di nostra proprietà. I lavori di riparazione o la sostituzione di singole parti non prolungheranno il periodo di garanzia, poiché non si verificherà un nuovo periodo di garanzia per l'apparecchio. Non inizierà alcun periodo di garanzia separato per i pezzi di ricambio che possono essere utilizzati. Non possiamo offrire una garanzia per danni e difetti su apparecchi o loro parti causati dall'uso di forza eccessiva, trattamento e manutenzione inadeguati. Ciò vale anche per il mancato rispetto del manuale operativo e delle parti di installazione o di ricambio e accessori non inclusi nella nostra gamma di prodotti. In caso di interferenza con modifiche che all'apparecchio da parte di persone non autorizzate, la garanzia sarà invalidata. Sono esclusi dalla garanzia i danni riconducibili a uso improprio, sovraccarico o usura naturale. I danni causati dal prodotto o da un difetto o materiale verranno corretti gratuitamente mediante riparazione o fornitura di pezzi di ricambio. Il presupposto è che l'attrezzatura sia consegnata assemblata e completa con la prova di vendita e garanzia. Per una richiesta di garanzia, utilizzare solo la confezione originale. In questo modo, possiamo garantirvi un'elaborazione della garanzia rapida e agevole. Vi preghiamo di inviarci gli elettrodomestici post-pagamento o richiedere un adesivo Freeway. Purtroppo non saremo in grado di accettare apparecchi che non sono postpagati. La garanzia non copre parti soggette a usura naturale. Se si desidera presentare una richiesta di intervento in garanzia, segnalare guasti o ordinare pezzi di ricambio o accessori, contattare il centro assistenza: soggetto a modifiche senza preavviso.

## SLO

### GARANCIJA

Ta aprava je kakovosten izdelek. Zasnovan je bil v skladu z veljavnimi tehničnimi standardi in skrbno izdelan z običajnimi, kakovostnimi materiali. Garancijsko obdobje je 24 mesecev za neprofesionalno uporabo in 12 mesecev za profesionalno uporabo in se začne na dan nakupa, ki ga je mogoče preveriti s potrdilom o prejemu, računom ali dobavnico. V času garancijskega roka bodo vse funkcionalne napake, ki so kljub skrbni obdelavi, opisani v naših navodilih za uporabo, preverljive zaradi materialnih napak, odpravile naše servisno osebje. Garancija prevzame obliko, da bodo okvarjeni deli po lastni presoji brezplačno popravljeni ali zamenjani z brezhibnimi deli. Zamenjani deli bodo postali naša last. Popravila ali zamenjava posameznih delov ne podaljšujejo garancijskega roka, dokler ne začne veljati nova garancijska doba za napravo. Za rezervne dele, ki se lahko pojavijo, se ne bo začelo ločeno garancijsko obdobje. Ne moremo ponuditi garancije za poškodbe in napake na napravah ali njihovih delih zaradi uporabe prekomerne sile, nepravilne obdelave in servisiranja. To velja tudi za neupoštevanje navodil za uporabo in namestitve ali rezervnih delov in dodatkov, ki niso vključeni v našo paleto izdelkov. V primeru motenj v napravi s strani nepooblaščenih oseb, se garancija razveljavi. Poškodbe, ki so posledica nepravilnega ravnanja, obremenitve ali naravne obrabe, so izključene iz garancije. Poškodbe, ki jih povzroči proizvajalec ali materialna napaka, se bodo popravile ali popravile z zagotavljanjem rezervnih delov. Predpogoj je, da se oprema preda sestavljena in skupaj z dokazilom o prodaji in garancijo. Za garancijski zahtevek uporabite samo originalno embalažo. Tako lahko zagotovimo hitro in gladko obdelavo garancij. Prosimo, pošljite nam naprave po plačilu ali zahtevajte nalepko za Freeway. Na žalost ne bomo mogli sprejeti naprav, ki niso postpaid. Garancija ne zajema delov, ki so predmet naravne obrabe. Če želite vložiti zahtevek za garancijo, prijaviti napake ali naročiti nadomestne dele ali dodatno opremo, se obrnite na spodnji prodajni center: Pridržujemo si pravico do sprememb brez predhodnega obvestila.

## MLT

### GARANYIJA

Dan l-apparat huwa prodott ta 'kwalità. Kienet imfassla f'konformità mal-istandards tekniċi attwali u saret b'attenzjoni bl-użu ta 'materjali normali u ta' kwalità tajba. Il-perjodu tal-garanzija huwa ta '24 xahar għal użu mhux professjonali u 12-il xahar għall-użu professjonali u jibda fid-data tax-xiri, li jista' jiġi vverifikat bir-riċevuta, fattura jew nota tal-kunsinna. Matul dan il-perjodu ta 'garanzija l-iżbalji funzjonali kollha, li, minkejja t-trattament bir-reqq deskritt fil-manwal operattiv tagħna, huma verifikabbli minħabba difetti materjali, se jiġu kkoreġuti mill-istaff tagħna tas-servizz ta' wara l-bejgħ. Il-garanzija tiegħu l-forma li partijiet difettużi se jissewewew jew jiġu sostitwiti bi partijiet perfetti bla ħlas fid-diskreżjoni tagħna. Partijiet mibdula jsiru proprjetà tagħna. Ix-xogħol ta 'tiswija jew is-sostituzzjoni ta' partijiet individwali ma jestendux il-perjodu ta 'garanzija mhux se jirriżulta f'li jibda perjodu ġdid ta' garanzija għall-apparat. Ma jibda l-ebda perjodu ta 'garanzija separat għal spare parts li jistgħu jiġu ted. Ma nistgħu noffru garanzija għal ħsara u difetti fuq l-apparat jew il-partijiet tagħhom ikkawżati mill-użu ta 'forza eċċessiva, trattament mhux xieraq u manutenzjoni. Dan japplika wkoll għal nuqqasijiet ta 'konformità mal-manwal tat-thaddim u l-installazzjoni jew partijiet ta' rikambju u aċċessorji li mhumiex inkluzi fil-firxa ta 'prodotti tagħna. Fil-każ ta 'interferenza ma' modifiki fl-apparat minn persuni mhux awtorizzati, il-garanzija ssir nulla. Ħsarat li huma attribwiti għal immaniġġjar hażin, tagħbija żejda, jew xedd u kedd naturali huma esklużi mill-garanzija. Danni kkawżati mill-manifattur jew minn difett materjali se jiġu kkoreġuti mingħajr ħlas permezz ta 'tiswija jew billi jiġu pprovduti spare parts. Il-pre-rekwiżit huwa li t-tagħmir jiġi mġoddi immuntat, u komplut bil-prova tal-bejgħ u l-garanzija. Għal talba ta 'garanzija, uża biss l-imballaġġ originali. B'dan il-mod, nistgħu nigarantixxu proċessar ta 'garanzija malajr u bla xkiel. Jekk jogħġbok ibgħatilna l-appliances post-paid jew itlob stiker tal-Freeway. Sfortunatament ma nkunux nistgħu naċċettaw apparat li ma jithallasx wara. Il-garanzija ma tkoprix partijiet li huma soġġetti għal ilbies u kedd naturali. Jekk tixtieq tagħmel talba għall-garanzija, irrapporta ħsarat jew tordna spare parts jew aċċessorji, jekk jogħġbok ikkuntatt ja ċ-ċentru ta 'wara l-bejgħ: Soġġett għal bidla mingħajr avviż minn qabel.

## SK

### ZÁRUKA

Tento spotřebič je kvalitní výrobek. Bol navrhnutý v súlade s platnými technickými normami a opatrne používal bežné a kvalitné materiály. Záručná doba je 24 mesiacov na neprofesionálne použitie a 12 mesiacov na profesionálne použitie a začína plynúť dátumom nákupu, ktorý je možné overiť potvrdením, faktúrou alebo dodacím listom. Počas tejto záručnej lehoty všetky funkčné chyby, ktoré napriek starostlivej úprave popísanej v našom návode na obsluhu sú overiteľné z dôvodu materiálnych nedostatkov, opravia naši pracovníci popredajného servisu. Záruka má formu, že vadné časti budú opravené alebo nahradené perfektnými dielmi bezplatne podľa nášho uváženia. Nahradené diely sa stanú našimi vlastnosťami. Opravné práce alebo výmena jednotlivých dielov predĺženie záručnej lehoty nevedie k vzniku novej záručnej lehoty pre spotrebič. Za náhradné diely, ktoré môžu byť dodané, sa nezačína samostatná záručná lehota. Nemôžeme ponúknuť záruku na poškodenie a poškodenie spotrebičov alebo ich častí spôsobené nadmernou silou, nesprávnou obsluhou a servisom. Platí to aj pre poruchy v súlade s návodom na obsluhu a inštaláciou alebo náhradnými dielmi a príslušenstvom, ktoré nie sú súčasťou našej ponuky. V prípade zásahu do modifikácie spotrebiča neoprávnenými osobami sa záruka stane neplatnou. Škody, ktoré sú spôsobené nesprávnou manipuláciou, nadmerným zaťažením alebo prirodzeným opotrebovaním, sú z záruky vylúčené. Škody spôsobené výrobcom alebo chybou materiálu budú opravené bezplatne opravou alebo poskytnutím náhradných dielov. Predpokladom je, že zariadenie je odovzdané a kompletné s dokladom o predaji a zárukou. Pokiaľ ide o nárok na záruku, použite iba pôvodný obal. Týmto spôsobom môžeme zaručiť rýchle a plynulé spracovanie záruky. Pošlite nám, prosím, spotrebiče, ktoré ste už zaplatili, alebo požiadajte o nálepku Freeway. Bohužiaľ nebudeme môcť prijať zariadenia, ktoré nie sú vyplatené. Záruka sa nevzťahuje na časti, ktoré sú vystavené prirodzenému opotrebovaniu. Ak chcete požiadať o záruku, oznámiť chyby alebo objednať náhradné diely alebo príslušenstvo, obráťte sa na nižšie uvedené stredisko popredajného servisu: Podliehajú zmenám bez predchádzajúceho upozornenia.

## BG ГАРАНЦИЯ

Този уред е качествен продукт. Той е проектиран в съответствие с действащите технически стандарти и е направен внимателно при използване на нормални, качествени материали. Гаранционният срок е 24 месеца за непрофесионално ползване и 12 месеца за професионална употреба и започва да тече от датата на покупката, която може да бъде потвърдена с квитанция, фактура или документ за доставка. По време на този гаранционен период всички функционални грешки, които, въпреки внимателното третиране, описано в нашето ръководство за експлоатация, са проверими поради материални недостатъци, ще бъдат отстранени от нашия сервизен персонал. Гаранцията приема формата, в която дефектните части ще бъдат ремонтирани или заменени с перфектни части безплатно по наше усмотрение. Подменените части ще станат наша собственост. Ремонтните работи или подмяната на отделни части няма да удължат гаранционния срок, без това да доведе до започване на нов гаранционен период за уреда. За резервни части, които могат да бъдат поставени, няма да започне отделен гаранционен срок. Не можем да предложим гаранция за повреди и дефекти на уредите или техните части, причинени от използването на прекомерна сила, неправилно третиране и обслужване. Това важи и за неспазване на ръководството за експлоатация и инсталацията, както и резервни и допълнителни части, които не са включени в нашата гама от продукти. В случай на намеса в модификации на уреда от неупълномощени лица, гаранцията ще бъде премахната. Щети, които се дължат на неправилно боравене, натоварване или естествено износване, са изключени от гаранцията. Щети, причинени от производителя или от дефект на материала, ще бъдат поправени без заплащане чрез ремонт или чрез предоставяне на резервни части. Предпоставка е оборудването да се съгласява и да се допълни с доказателство за продажба и гаранция. За гаранционна претенция използвайте само оригиналната опаковка. По този начин можем да гарантираме бърза и гладка обработка на гаранциите. Моля, изпратете ни уредите след плащане или заявете стикер на Freeway. За съжаление няма да можем да приемаме уреди, които не са с абонамент. Гаранцията не покрива части, които са обект на естествено износване. Ако желаете да направите гаранционна претенция, да съобщите за неизправности или да поръчате резервни части или аксесоари, моля свържете се с центъра за поддръжка: Подлежи на промяна без предизвестие.

## RO GARANȚIE

Acest aparat este un produs de calitate. A fost proiectat în conformitate cu standardele tehnice actuale și a făcut cu atenție materiale normale, de bună calitate. Perioada de garanție este de 24 de luni pentru uz neprofesionist și de 12 luni pentru uz profesional și începe la data cumpărării, care poate fi verificată prin chitanță, factură sau buletin de livrare. În timpul acestei perioade de garanție, toate erorile funcționale, care, în ciuda tratamentului atent descris în manualul nostru de utilizare, sunt verifiabile din cauza defectelor materiale, vor fi rectificate -cate de personalul nostru de service post-vânzare. Garanția ia forma faptului că piesele defecte vor fi reparate sau înlocuite cu piese perfecte gratuit, la discreția noastră. Piesele înlocuite vor deveni proprietatea noastră. Lucrările de reparații sau înlocuirea pieselor individuale nu vor prelunge perioada de garanție, deoarece nu vor duce la începerea unei noi perioade de garanție pentru aparat. Nu se va începe nici o perioadă de garanție separată pentru piesele de schimb care pot fi incluse. Nu putem oferi o garanție pentru defecțiunile și defectele aparatelor sau ale pieselor acestora cauzate de utilizarea forței excesive, tratarea necorespunzătoare și întreținerea. Acest lucru se aplică și în caz de nerespectare a manualului de utilizare și a pieselor de instalare sau de rezervă și accesoriilor care nu sunt incluse în gama noastră de produse. În caz de interferență cu modifiările carele aduse aparatului de către persoane neautorizate, garanția va fi anulată. Daunele care pot fi atribuite manipulării necorespunzătoare, supraîncălzirii sau uzurii naturale sunt excluse din garanție. Deteriorările cauzate de producător sau de un defect material vor fi corectate gratuit, prin reparații sau prin furnizarea de piese de schimb. Condiția prealabilă este ca echipamentul să fi predat în asamblare și să fi completat cu dovada vânzării și a garanției. Pentru o cerere de garanție, utilizați numai ambalajul original. În acest fel, putem garanta procesarea rapidă și fără probleme a garanției. Trimiteți-ne aparatele post-plăți te sau solicitați un autocolant Freeway. Din păcate, nu vom putea accepta dispozitive care nu sunt plătite postpaid. Garanția nu acoperă piese care sunt supuse uzurii naturale. Dacă doriți să solicitați o garanție, să semnalați defecțiuni sau să comandați piese de schimb sau accesorii, vă rugăm să contactați centrul de asistență tehnică: Pot fi modificate fără o notificare prealabilă.

## NMK GARANCIJA

Oвој уред е квалитетен производ. Дизајниран е во согласност со тековните технички стандарти и направен е внимателно со употреба на нормални, квалитетни материјали. Гарантниот период е 24 месеци за непрофесионална употреба и 12 месеци за професионална употреба и започнува на датумот на купување, што може да се потврди со потврда, фактура или испратница. За време на овој гарантен период, сите функционални грешки, кои, и покрај внимателниот третман опишан во нашето упатство за работа, се проверливи поради материјални недостатоци, ќе бидат поправени од нашиот персонал по продажбата. Гаранцијата има форма дека неисправните делови ќе бидат поправени или заменети со совршени делови бесплатно по наша дискреција. Заменетите делови ќе станат наша сопственост. Работата за поправка или замената на поединечни делови нема да го продолжи гарантниот период и нема да резултира со започнување на нов гарантен период за апаратот. Нема да започне посебен гарантен период за резервните делови што може да се тераат. Не можеме да понудиме гаранција за оштетувања и дефекти на апаратите или нивните делови предизвикани од употреба на прекумерна сила, несоодветен третман и сервисирање. Ова исто така важи и за неусогласеност со упатството за работа и инсталацијата или резервните и дополнителните делови кои не се вклучени во нашата палета на производи. Во случај на мешање на модификации на апаратот од страна на неовластени лица, гаранцијата ќе се поништи. Штетите што се припишуваат на неправилно ракување, прекумерно оптоварување или природно абеење се исклучени од гаранцијата. Штетите предизвикани од производителот или од материјален дефект ќе се коригираат бесплатно со поправка или со обезбедување резервни делови. Предуслов е опремата да биде предадена склопена, и комплетна со доказ за продажба и гаранција. За гаранција, користете го само оригиналното пакување. На тој начин, можеме да гарантираме брза и непречена обработка на гаранциите. Ве молиме испратете ни ги апаратите пост-пејд или побарајте налепница за автопат. За жал, нема да можеме да прифатиме апарати што не се постпејд. Гаранцијата не опфаќа делови кои се предмет на природно абеење и кинење. Доколку сакате да поднесете барање за гаранција, да пријавите дефекти или да нарачате резервни делови или додатоци, ве молиме контактирајте го постпродажниот центар: Може да се промени без претходна најава.

## HUN GARANCIA

Ez a készülék minőségi termék. Úgy tervezték, hogy megfeleljen a jelenlegi műszaki szabványoknak, és gondosan, normál, jó minőségű anyagokkal készült. A jótállási idő nem professzionális használat esetén 24 hónap, szakmai használat esetén 12 hónap, és a vásárlás napján kezdődik, amelyet a kézszévtel, a számla vagy a kézbesítési értesítés igazolhat. A garanciaidő alatt minden olyan funkcionális hiba, amely az üzemeltetési utasításunkban leírt gondos kezelés ellenére bizonyíthatóan az anyagi hibák miatt következik be, a vevőszolgálatunk javítja. A garancia olyan formája, hogy a hibás alkatrészek javítása vagy cseréje a tökéletes alkatrészekkel ingyenes. A cserélt részek tulajdonunk lesz. A javítási munkák vagy az egyes részek cseréje nem hosszabbítja meg a jótállási időszakot, és nem eredményez új garanciaidő megkezdését a készülék számára. Nincs külön garanciaidő a pótalkatrészek esetén. Nem nyújtunk garanciát a készülékek vagy alkatrészeik károsodására és hibáira a túlzott erő, a helytelen kezelés és a karbantartás miatt. Ez vonatkozik az üzemeltetési utasítás és a telepítés, illetve a tartalék és tartozék alkatrészeinek meg nem felelésére is, amelyek nem tartoznak a termékínálatunkba. Abban az esetben, ha a készülék jogosulatlan személy általi módosításai zavarának, a garancia érvényét veszti. A nem megfelelő kezelés, a terhelés vagy a természetes kopás okozta károk nem tartoznak a garancia hatálya alá. A gyártó vagy az anyaghiba által okozott károkat a javítás vagy a pótalkatrészek beszerzése nélkül kijavítják. Az előfeltétel az, hogy a berendezést összeszerelték, és az értékesítés és a garancia igazolásával kiegészüljön. A garancia igényléséhez csak az eredeti csomagolást használja. Így garantálhatjuk a gyors és zökkenőmentes garanciafeldolgozást. Kérjük, küldje el nekünk a készüléket utólag fizetett vagy kérjen Freeway matricát. Sajnos nem tudjuk elfogadni a nem utólag fizetett készülékeket. A garancia nem terjed ki a természetes kopásnak kitett alkatrészekre. Ha garanciális igényt kíván nyújtani, hibákat jelenteni vagy pótalkatrészeket vagy tartozékokat rendelni, kérjük, vegye fel a kapcsolatot az alábbi értékesítési központtal: Előzetes értesítés nélkül változhat.



## POL GWARANCJA

To urządzenie jest produktem wysokiej jakości. Został zaprojektowany zgodnie z aktualnymi standardami technicznymi i wykonany starannie przy użyciu zwykłych, dobrej jakości materiałów. Okres gwarancji wynosi 24 miesiące w przypadku użytku nieprofesjonalnego i 12 miesięcy w przypadku użytku profesjonalnego i rozpoczyna się w dniu zakupu, który można zweryfikować za pomocą paragonu, faktury lub dowodu dostawy. W okresie gwarancji wszystkie błędy funkcjonalne, które pomimo starannego traktowania opisanego w naszej instrukcji obsługi, są weryfikowalne przez wady materiałowe, zostaną naprawione przez nasz personel obsługi posprzedażnej. Gwarancja ma formę, w której wadliwe części zostaną naprawione lub wymienione na części zamiennie bezpłatnie według naszego uznania. Wymienione części staną się naszą własnością. Naprawa lub wymiana pojedynczych części nie przedłuży okresu gwarancji, nie spowoduje to rozpoczęcia nowego okresu gwarancyjnego dla urządzenia. Nie rozpocznie się oddzielny okres gwarancji na części zamiennie, które mogą być używane. Nie możemy zaoferować gwarancji na uszkodzenia i usterki urządzeń lub ich części spowodowane użyciem nadmiernej siły, niewłaściwego traktowania i serwisowania. Dotyczy to również nieprzestrzegania instrukcji obsługi i instalacji lub części zamiennych i akcesoriów, które nie są zawarte w naszej ofercie produktów. W przypadku ingerencji w modyfikacje urządzenia przez osoby nieuprawnione, gwarancja zostanie unieważniona. Szkody, które można przypisać niewłaściwej obsłudze, nadmiernemu obciążeniu lub naturalnemu zużyciu, są wyłączone z gwarancji. Uszkodzenia spowodowane przez producenta lub wadę materiałową zostaną naprawione bezpłatnie przez naprawę lub przez dostarczenie części zamiennych. Warunkiem wstępnym jest przekazanie sprzętu w komplecie wraz z dowodem sprzedaży i gwarancją. W przypadku reklamacji należy używać tylko oryginalnego opakowania. W ten sposób możemy zagwarantować szybkie i płynne przetwarzanie gwarancji. Prześlij nam urządzenia post-paid lub zamów naklejkę na autostradę. Niestety nie będziemy mogli akceptować urządzeń, które nie są opłacane z dołu. Gwarancja nie obejmuje części ulegających naturalnemu zużyciu. Jeśli chcesz zgłosić roszczenie gwarancyjne, zgłośić usterki lub zamówić części zamiennie lub akcesoria, skontaktuj się z następującym centrum obsługi posprzedażnej: Zastrzega się możliwość zmian bez uprzedzenia.

## ALB GARANCIA

Kjo pajisje është një produkt cilësor. Washtë hartuar në përputhje me standardet aktuale teknike dhe është bërë me kujdes duke përdorur materiale normale, me cilësi të mirë. Periudha e garancisë është 24 muaj për përdorim jo profesional dhe 12 muaj për përdorim profesional dhe fillon në datën e blerjes, e cila mund të vërtetohet me faturën, faturën ose dorëzimin. Gjatë kësaj periudhe garancie, të gjitha gabimet funksionale, të cilat, përkundër trajtimit të kujdesshëm të përkthuesit në manualin tonë të funksionimit, janë verifikueshëm për shkak të metave të materialit, do të korrigjohen nga stafi ynë i shërbimit pas shitjes. Garancia merr formën që pjesët e dëmtuara do të riparohen ose zëvendësohen me pjesët e përsosura falas, sipas gjykimit tonë. Pjesët e zëvendësuara do të bëhen pronë jonë. Puna e riparimit ose zëvendësimit i pjesëve individuale nuk do të zgjasë periudhën e garancisë, por nuk do të rezultojë në fillimin e një periudhe të re garancie për pajisjen. Asnjë periudhë e veçantë e garancisë nuk do të fillojë për pjesët rezervë që mund të merren. Në nuk mund të ofrojmë një garanci për dëmtimin dhe defektet e pajisjeve ose pjesëve të tyre të shkaktuara nga përdorimi i forcës së tepërt, trajtimi dhe shërbimi i pahijshëm. Kjo gjithashtu vlen për dështimet në përputhje me manualin e funksionimit dhe instalimin ose pjesët rezervë dhe aksesorë që nuk përfshihen në gamën tonë të produkteve. Në rast ndërhyrje në modifikimet e pajisjes nga persona të paautorizuar, garancia do të hiqet. Dëmet që mund t'i atribuohen trajtimit të pahijshëm, ngarkimit të tepërt, ose konsumit natyror, përjashtohen nga garancia. Dëmet e shkaktuara nga prodhuesi ose nga një defekt i materialit do të korrigjohen pa pagesë me riparim ose duke siguruar pjesë këmbimi. Parakushti është që pajisjet të dorëzohen të montuara, dhe të kompletuara me provën e shitjes dhe garancisë. Për një kërkesë garancie, përdorni vetëm paketimin origjinal. Në atë mënyrë, ne mund të garantojmë përpunim të shpejtë dhe të qetë të garancisë. Ju lutemi na dërgoni pajisjet me postë të paguar ose kërkoni një afishe autostradë. Për fat të keq, ne nuk do të jemi në gjendje të pranohim pajisje që nuk janë me kontratë. Garancia nuk përfshin pjesë që i nënshtrohen konsumit natyror. Nëse dëshironi të bëni një kërkesë për garanci, të raportoni gabime ose të porosisni pjesë rezervë ose pajisje, ju lutemi kontaktoni qendrën pas shitjes: Subjekti për të ndryshuar pa njëfjalë im paraprak.

## HR JAMSTVO

Ovaj je uređaj kvalitetan proizvod. Dizajniran je u skladu s trenutnim tehničkim standardima i izrađen je pažljivo koristeći normalne, kvalitetne materijale. Garancijsko razdoblje je 24 mjeseca za neprofesionalnu upotrebu i 12 mjeseci za profesionalnu uporabu i započinje datumom kupnje, što se može potvrditi potvrdom primitka, računa ili dostavnice. Tijekom ovog jamstvenog razdoblja sve će funkcionalne pogreške, koje su unatoč pažljivom postupanju opisanom u našem priručniku za upotrebu provjerljivo zbog materijalnih nedostataka, otkloniti od strane našeg servisnog osoblja. Jamstvo ima oblik da će se oštećeni dijelovi besplatno popraviti ili zamijeniti savršenim dijelovima, po našem nahođenju. Zamijenjeni dijelovi postat će naše vlasništvo. Popravak ili zamjena pojedinih dijelova neće produžiti jamstveno razdoblje, jer neće rezultirati novim jamstvenim rokom za uređaj. Neće započeti zasebni jamstveni rok za rezervne dijelove koji se mogu trošiti. Ne možemo pružiti jamstvo za oštećenja i oštećenja uređaja ili njihovih dijelova uzrokovanih prekomjernom silom, nepravilnim postupanjem i servisiranjem. To se također odnosi i na neusklađivanje s uputama za uporabu i instalacijskim ili rezervnim i pomoćnim dijelovima koji nisu uključeni u naš asortiman proizvoda. U slučaju ometanja neovlaštenih osoba na izmjenama uređaja, jamstvo će se poništiti. Oštećenja koja se mogu pripisati nepravilnom rukovanju, preopterećenju ili prirodnom habanju isključena su iz jamstva. Štete uzrokovane proizvođačem ili oštećenjem materijala ispravit će se besplatnim popravkom ili osiguravanjem rezervnih dijelova. Predviđet je da se oprema preda u sastavu, zajedno s dokazom o prodaji i garancijom. Za garancijski zahtjev koristite samo originalno pakiranje. Na taj način možemo jamčiti brzu i glatku obradu jamstava. Pošaljite nam uređaje naknadno ili zatražite naljepnicu autoputa. Nažalost, nećemo biti u mogućnosti prihvatiti uređaje koji nisu pretplaćeni. Jamstvo ne obuhvaća dijelove koji su podložni prirodnom habanju. Ako želite podnijeti zahtjev za jamstvom, prijaviti kvarove ili naručiti rezervne dijelove ili pribor, molimo kontakti rajte dolje prodajni centar: Podložno promjenama bez prethodne najave.

## SRB ГАРАНЦИЈА

Ovaj aparat je kvalitetan proizvod. Dizajniran je u skladu sa trenutnim tehničkim standardima i rađen pažljivo koristeći normalne, kvalitetne materijale. Garantni rok je 24 meseca Garantni rok je 24 meseca za neprofesionalno korišćenje i 12 meseci za profesionalnu upotrebu i započinje danom kupovine, što se može verifikovati primaњem, fakturom ili otpremnicom. Tokom ovog garantnog perioda, sve funkcionalne greške koje se, uprkos pažljivom postupanju opisanom u našem uputstvu za upotrebu, verovatno mogu proveriti zbog materijalnih nedostataka, otkloniће od strane нашег сервисног особља. Гаранција добија облик да ће се неисправни делови поправити или заменити савршеним деловима бесплатно по нашем нахођењу. Замењени делови постаће наше власништво. Поправци или замена појединих делова неће продужити гарантни рок јер неће резултирати новим гаранцијским роком за апарат. Неће почети посебан гарантни рок за резервне делове који се могу напунити. Не можемо пружити гаранцију за оштећења и оштећења уређаја или њихових делова насталих прекомерном силом, неправилним третманом и сервисирањем. Ово се такође односи и на непоштовање упутства за употребу и инсталационих или резервних и помоћних делова који нису обухваћени нашим асортиманом производа. У случају ометања модификација уређаја од стране неовлашћених особа, гаранција ће се поништити. Оштећења која се могу приписати неправилном руковању, преоптерећењу или природном хабању су искључена из гаранције. Оштећења настала од стране произвођача или оштећења материјала исправљаће се или поправљањем резервних делова бесплатно. Предуслов је да се опрема преда у саставу, заједно са доказом о продаји и гаранцијом. За захтев о гаранцији користите само оригинално паковање. На тај начин можемо гарантовати брзу и глатку обраду гаранција. Пошаљите нам уређаје накнадно или затражите налепницу са аутопута. Нажалост, нећемо бити у могућности да прихватимо уређаје који нису плаћени. Гаранција не покрива делове који су изложени природном хабању. Ако желите да поднесете захтев за гаранцијом, пријавите грешке или наручите резервне делове или додатну опрему, молимо контактирајте доњи продајни центар: Могу се променити без претходне најаве.

