

BORMANN®



BCD2020

053262



v2.2



WWW.NIKOLAOUTOOLS.GR

2 YEARS
WARRANTY

SAFETY INSTRUCTIONS

Warning: Read the manual before using this power tool. Failure to follow the warnings and instructions may result in electric shock, fire and/or serious injury. After reading the manual, store it in a safe place for future reference.

General power tool safety warnings

Work area safety

- Keep the work area clean and well lit. Dark or cluttered areas could lead to accidents.
- Do not operate power tools in explosive atmospheres, such as in the presence of flammable liquids or fumes, gases or dust. Power tools could create sparks which may ignite the gases or fumes.
- Keep children and bystanders at a safe distance while operating the power tool.

Electrical safety

- Please make sure that power tool plugs match the outlet. Do not ever modify the plug in any way. Do not use adapter plugs with earthed power tools. Using unmodified plugs and matching outlets will reduce the risk of electric shock.
- Avoid body contact with earthed or grounded materials or objects, such as radiators, pipes, ranges and refrigerators. There is a tremendous risk of electric shock if your body is earthed or grounded.
- Do not expose power tools to rain or any other wet conditions. Water entering a power tool could increase the risk of electric shock.
- Do not abuse the power cord. Never use the cord for carrying, pulling or unplugging the electric tool. Keep the cord in a safe distance from heat, oil, sharp edges and any moving parts. Damaged or entangled cords will increase the risk of electric shock.
- When operating an electric power tool outdoors, use an extension cable which has the appropriate specifications for outdoor use. Use of an extension cable suitable for outdoor use reduces the risk of electric shock.
- If operating a power tool in a damp location cannot be avoided, use a residual current device (RCD) protected supply. Use of an RCD reduces the risk of electric shock.

Personal safety

- Stay alert, watch what you are doing and use common sense when operating the power tool. Do not use the power tool if you are feeling tired or are under the influence of alcohol, drugs, or medication. A moment of inattention while operating the power tool may result in serious personal injury.
- Use personal protective equipment. Always wear eye protection. Protective equipment such as a dust mask, or hearing protection, non-skid safety shoes or protective helmets, used in appropriate conditions will reduce personal injuries.
- Prevent unintentional starting. Ensure the power switch is in the off-position before connecting to power source and/or battery pack, picking up or carrying the power tool. Carrying power tools with your finger on the power switch or connecting power tools that have the switch in the on position to a power source can lead to accidents.
- Remove any adjusting keys or wrenches before turning on the power tool. An adjusting key or a wrench left attached to a rotating part of the power tool may result in personal injury.
- Do not overreach. Keep balance and proper footing at all times. This helps the operator have better control of the power tool in unexpected situations.
- Dress properly. Do not wear loose clothing or jewellery. Keep your hair, clothing and gloves away from any moving parts. Loose clothes, jewellery and/or long hair can be caught in moving parts.

Power tool use and care

- Do not force the power tool. Use the correct power tool for the each application. The correct power tool will always do the job better and safer when used as intended.
- Do not use the power tool if the switch does not turn activate or deactivate it. Any power tool that cannot be controlled with the switch is extremely dangerous and must be repaired.
- Disconnect the main plug from the power source and/or the battery pack from the power tool before changing accessories, making any adjustments, or storing the power tool. Such preventive safety measures will reduce the risk of starting the power tool accidentally.
- When the power tool is not in use, store it out of the reach of children and do not allow persons unfamiliar with the power tool or these instructions to use and operate the power tool. Power tools are extremely dangerous in the hands of untrained users.
- Maintain the power tool. Check for misalignment or binding of moving parts, breakage of parts, leakage and any other issue that may affect the power tool's operation. If damaged, please have the power tool repaired before use. Many accidents and injuries are caused by poorly maintained power tools.
- Keep the cutting parts of the power tool sharp and clean. Properly maintained cutting tools with sharp cutting edges are less likely to bind and are more precise and easier to control.
- Always use the power tool, accessories and tool bits etc. in accordance with the instructions of this instruction manual, taking into account the working conditions and the work that is to be performed. Use of the power tool for applications different from those intended could result in personal injury or cause damage to the power tool.
- Keep the handles and any grasping surfaces of the power tool dry, clean and free of oil and grease. Slippery handles and grasping surfaces do not allow for safe handling of the tool in unexpected circumstances.

Battery tool use and care

- Recharge the batteries only with the charger specified by the manufacturer. A charger that is used to charge unsuitable batteries can create a risk of fire.
- Use the power tool only with the specifically designated battery packs. Use of any other battery packs may create a risk of injury and fire.
- When the battery pack is not in use, keep it away from other metal objects, like paper clips, coins, keys, nails, screws or other small metal objects that can make a connection from one terminal to another.

- Shorting the battery terminals together may cause burns or a fire.
- Under abusive conditions, liquid may be ejected from the battery; avoid contact.
- If contact accidentally occurs, flush with water. If liquid contacts eyes, seek medical help immediately. Liquid ejected from the battery may cause irritation or burns.

Service

- Have the power tool serviced by qualified service personnel, using only identical replacement parts. This will ensure that the safety of the power tool is maintained.
- Never attempt to repair damaged battery packs on your own. Service of battery packs should only be performed by the manufacturer or authorized service technicians.

Safety instructions for the batteries

- Do not dismantle, open, smash or burn the batteries.
- Do not short-circuit the batteries.
- Do not expose the batteries to sources of heat and don't throw them into fire.
- Avoid storage in direct sunlight.
- In the event of battery leaking, do not allow the liquid to come into contact with the skin or eyes. If contact has been made, wash the affected area with copious amounts of water and seek medical advice.
- Seek medical advice immediately if a battery has been swallowed.
- Keep the batteries clean and dry.
- The batteries need to be charged before use.
- Use the correct charging procedure.
- The batteries performs optimally when it is operated at normal room temperature ($20^{\circ}\text{C} \pm 5^{\circ}\text{C}$).
- Recharge only with the specified charger. Do not use any charger other than the one that is provided.
- Do not use any battery which is not designed for use with the equipment.
- Keep the battery pack out of the reach of children.
- Remove the battery from the equipment when not in use.
- Observe the plus (+) and minus (-) marks on the battery and ensure correct use.
- Make sure the battery is removed prior to changing accessories and before maintenance or repair work.
- Keep the battery away from microwaves and high pressure.
- Do not store the tool and the batteries in places where the temperature exceeds 50°C .

Safety instructions for the battery charger

- Before charging, read the instructions.
- Do not charge non-rechargeable batteries with the battery charger.
- Children should be supervised to ensure that they do not play with the charger.
- If the supply cord is damaged, it must be replaced by the manufacturer, its service agent or similarly qualified persons in order to avoid a hazard.
- Do not charge a leaking battery.
- Do not use the charger outdoors when it's raining.
- Protect the charger from moisture.
- Do not short out the contacts of battery or charger.
- Respect the polarity "+/-" when charging.
- Do not open the unit and keep out of the reach of children.
- Do not charge the batteries of other manufacturers or any incompatible batteries.
- Ensure that the connection between the battery charger and battery is correctly positioned and is not obstructed by foreign bodies.
- Keep the charger clean and store in a dry and frost-free place.
- When charging batteries, ensure that the battery charger is in a well-ventilated area and away from flammable materials. Batteries can get hot during charging. Do not overcharge any batteries. Ensure that the charger is supervised while it is charging batteries.
- Use the charger in areas where the air temperature is between 18°C and 24°C in order to prolong its life and ensure optimal performance. Do not charge the batteries in air temperatures below 10°C , or above 40°C as this can cause serious damage to them.

CHARGING THE BATTERY

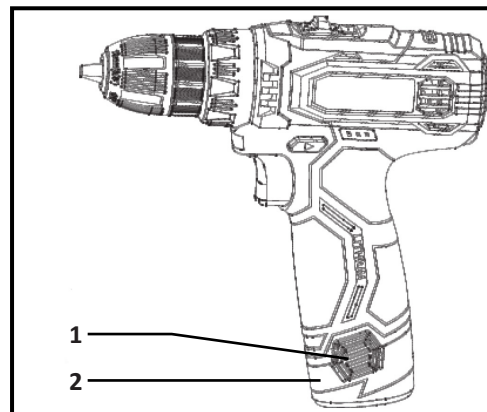
Before using the drill, charge the battery as follows

1. Plug the battery charger into the proper AC socket. The battery charge indicator will light green.
2. Insert the battery so that the plus and minus terminals on the battery are on the same sides as the respective markings on the charger.
3. When the battery is inserted fully, the battery charge indicator will change from green to red, indicating that the battery is being charged.
The charging light will remain lit steadily while the battery is being charged.
4. When the battery is fully charged, the battery charge indicator will change from red to green.
5. After charging, unplug the charger from the socket.

OPERATING INSTRUCTIONS

Inserting or removing the battery (Fig. 1)

- Always switch off the tool before inserting or removing the battery.
- To remove the battery, withdraw it while pressing the buttons on both sides of the battery.
- To insert the battery, align the tongue on the battery with the groove in the housing and slip it into place. Always insert the battery all the way until it locks in place with a characteristic "click" sound. If not, it may accidentally fall out of the tool, causing injury to you or to bystanders.
- Do not use force when inserting the battery. If the battery does not slide in easily, it is being inserted incorrectly.



1. Button
2. Battery

Fig. 1

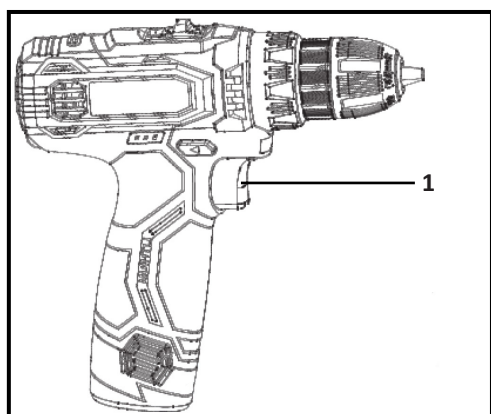


Fig. 2

1. Trigger

Turn on/off (Fig. 2)

- To start the tool, pull the trigger.
- You can control the drill bit spinning speed by varying the pressure on the trigger.
- To stop the tool, release the trigger.

Electric brake

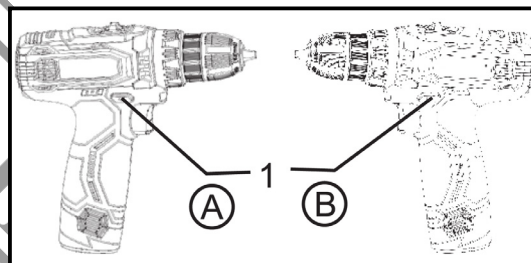
- The tool is equipped with an electric brake. If the tool consistently fails to quickly stop after the trigger is released, the tool must be serviced.

Forward/reverse switch (Fig. 3)

- The tool has a forward/reverse switch which changes the direction of rotation when pressed.
- Press the forward/reverse switch from the A side for clockwise rotation or from the B side for counterclockwise rotation.
- When the forward/reverse switch is in the neutral position, the trigger cannot be pulled.

Caution

- Always check the direction of rotation before operation.
- Use the forward/reverse switch only after the tool comes to a complete stop. Changing the direction of rotation while the tool is running may damage it.
- When not operating the tool, always set the forward/reverse switch to the neutral position.



1. Forward/reverse switch

Fig. 3

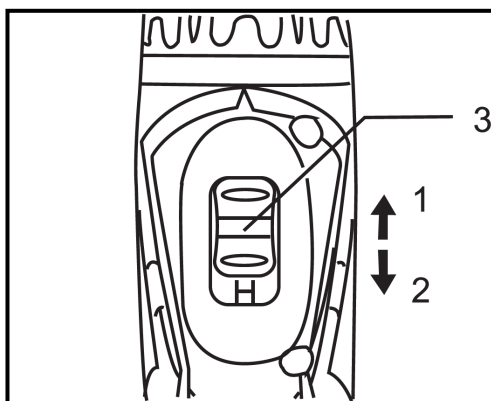


Fig. 4

1. High speed
2. Low speed
3. Speed change switch

Speed change switch (Fig. 4)

- To change the speed, first switch off the tool and then set the speed change switch to the "2" position for high speed or to the "1" position for low speed.
- Use the right speed for the task at hand.

Caution

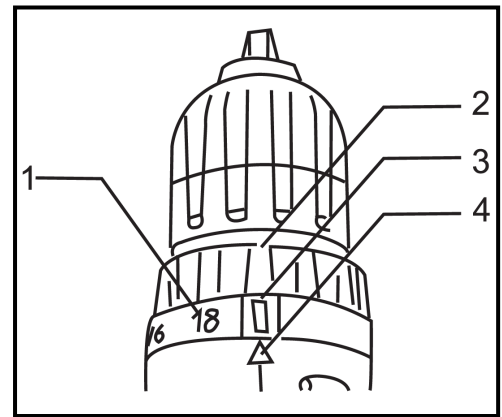
- The speed change switch must be set to the correct position. If the tool is operated with the speed change switch positioned halfway between the 2 positions, the tool may be damaged.
- Do not use the speed change switch while the tool is running or the tool may be damaged.

Torque selection (Fig. 5)

- Turn the torque adjustment ring to the desired position to select the desired torque.
- There are 18+1 positions indicated on the torque adjustment ring.
- Choose low torque when working with short screws for less demanding tasks.
- Each clockwise turn increases the torque.
- The maximum torque position is the drilling position indicated by the drill icon. At this position, the clutch mechanism will not be active to increase performance for more demanding screwing jobs.

Caution

- When selecting the desired torque, ensure that the pointer is not positioned halfway between two torque settings.
- Do not operate the tool with the adjustment ring set between position 18 and the drill position, otherwise the tool may be damaged.



1. Torque settings
2. Adjustment ring
3. Drill marking
4. Pointer

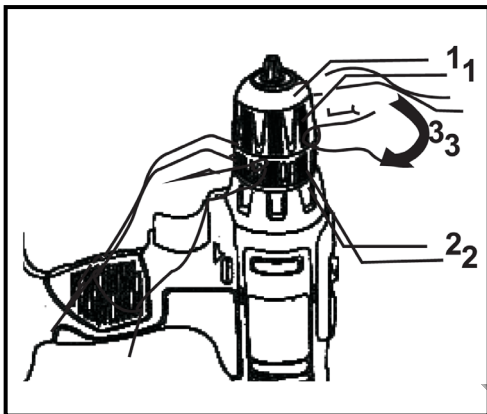


Fig. 6

1. Sleeve
2. Ring
3. Tighten

Inserting/removing driver or drill bits (Fig. 6)

- Hold the ring and turn the sleeve counterclockwise to open the chuck jaws.
- Place the bit in the chuck as far as it will go.
- Hold the ring firmly and turn the sleeve clockwise to tighten the chuck.
- To remove the bit, hold the ring and turn the sleeve counterclockwise.

Screwdriving operation

- Place the point of the driver bit in the screw head and apply pressure to the tool.
- Start the tool at low speed and then increase the speed gradually.

Note: When screwing in wood screws, predrill pilot holes to make screwdriving easier and to prevent splitting of the workpiece.

Drilling operation

- Always turn the torque adjustment ring to the drilling position indicated by the drill icon before drilling.

Tips for proper operation

- Exerting too much pressure on the tool will not speed up the drilling. In fact, exerting too much pressure on the tool will cause damage to the bit, decrease the tool's performance and shorten its service life.
- Always hold the power tool firmly during operation.
- Stuck bits can be removed by setting the forward/reverse switch to the reverse position and then removing the bits with the tool.
- Always secure small workpieces in a vise or similar clamping device.
- If the tool is operated continuously until the battery has discharged, stop operating the tool for 15 minutes before resuming operation with a fresh battery.

CLEANING AND MAINTENANCE

- Switch off the device and remove the battery before cleaning and performing maintenance on the tool.
- Clean the power tool with a damp cloth. Do not use solvent-based cleaning agents.
- Do not immerse the device in water.
- Do not clean the unit with water from a hose or a pressurised water jet.

SPECIFICATIONS

Technical Data	
Model	BCD2020
Battery	12 V / Li-ion / 1*1500 mAh
Battery charger voltage / frequency	220-240 V / 50-60 Hz
No load speed	0-350/0-1350 rpm
Torque settings	18+1 settings
Max. torque	20 Nm
Chuck	0.8-10mm keyless chuck
Charge time	1.5 hours
Features	Forward/reverse switch, Led work light
Includes	88pcs screws & nails kit, 1pc 3m*16mm tape measure, 1pc 200mm stationary knife, 1pc 18mm utility knife, 1pc 200g machinist hammer, 1pc 6*100mm screwdriver, 1pc ph2100mm screwdriver, 1pc voltage tester, 1pc 6" combination plier, 1pc 6" adjustable wrench, 8pcs hex key (1.5/2/2.5/3/4/5/5.5/6mm), 9pcs 1/4" drive socket: 5/6/7/8/9/10/11/12/13mm, 10pcs bits set 25mm, 1pc 1/4"x60mm magnetic bits holder, 1pcs batteries, 1pc VDE plug charger, BMC case

* The manufacturer reserves the right to make minor changes to product design and technical specifications without prior notice unless these changes significantly affect the performance and safety of the products. The parts described / illustrated in the pages of the manual that you hold in your hands may also concern other models of the manufacturer's product line with similar features and may not be included in the product you just acquired.

* To ensure the safety and reliability of the product and the warranty validity, all repair, inspection, repair or replacement work, including maintenance and special adjustments, must only be carried out by technicians of the authorized service department of the manufacturer.

* Always use the product with the supplied equipment. Operation of the product with non-provided equipment may cause malfunctions or even serious injury or death. The manufacturer and the importer shall not be liable for injuries and damages resulting from the use of non-conforming equipment.

ENVIRONMENTAL DISPOSAL

In order to avoid damages on transportation, the tool has to be delivered in solid packaging. Packaging as well as the unit and accessories are made of recyclable materials and can be disposed accordingly. The tool's plastics components are marked according to their material, which makes it possible to remove environmental friendly and differentiated because of available collection facilities.

**Only for EU countries**

Do not dispose of electric tools together with household waste material!

In observance of European Directive 2002/96/EC on waste electrical and electronic equipment and its implementation in accordance with national law, electric tools that have reached the end of their life must be collected separately and returned to an environmentally compatible recycling facility.



ΟΔΗΓΙΕΣ ΑΣΦΑΛΕΙΑΣ

Προσοχή: Διαβάστε το εγχειρίδιο πριν χρησιμοποιήσετε το ηλεκτρικό εργαλείο. Η μη τήρηση των προειδοποιήσεων και των οδηγιών μπορεί να προκαλέσει ηλεκτροπληξία, πυρκαγιά ή/και σοβαρό τραυματισμό. Αφού διαβάσετε το εγχειρίδιο, φυλάξτε το για μελλοντική αναφορά.

Γενικές οδηγίες ασφαλείας για ηλεκτρικά εργαλεία

Ασφάλεια στον χώρο εργασίας

- Διατηρείτε τον χώρο εργασίας καθαρό και επαρκώς φωτισμένο. Η ακαταστασία και η ανεπαρκώς φωτισμένες περιοχές εργασίας μπορεί να οδηγήσουν σε ατυχήματα και τραυματισμό.
- Μην εργάζεστε με το ηλεκτρικό εργαλείο σε χώρους όπου υπάρχει κίνδυνος έκρηξης, στο οποίο υπάρχουν εύφλεκτα υγρά, αέρια ή σκόνη.
- Τα ηλεκτρικά εργαλεία ενδέχεται να δημιουργήσουν σπινθήρες οι οποίοι μπορούν να αναφλέξουν τη σκόνη ή τα αέρια.
- Όταν χρησιμοποιείτε το ηλεκτρικό εργαλείο κρατάτε τα παιδιά κι άλλα τυχόν παρευρισκόμενα άτομα σε ασφαλή απόσταση. Η απόσπαση της προσοχής μπορεί να οδηγήσει στην απώλεια ελέγχου του εργαλείου/μηχανήματος.

Ηλεκτρική ασφάλεια

- Το βύσμα του καλωδίου του ηλεκτρικού εργαλείου πρέπει να είναι συμβατό με την πρίζα. Δεν επιτρέπεται η οποιαδήποτε μετατροπή του βύσματος.
- Μη χρησιμοποιείτε μετατροπείς σε συνδυασμό με γειωμένα ηλεκτρικά εργαλεία. Η χρήση βυσμάτων με συμβατές πρίζες μειώνουν τον κίνδυνο ηλεκτροπληξίας.
- Αποφεύγετε την επαφή με γειωμένες επιφάνειες όπως με σωλήνες, θερμοαντλία σώματα (καλοριφέρ), κουζίνες ή ψυγεία. Όταν το σώμα σας γειώνεται αυξάνεται ο κίνδυνος ηλεκτροπληξίας.
- Μην εκθέτετε τα μηχανήματα και τα εργαλεία στη βροχή ή σε υψηλή υγρασία. Η διείσδυση νερού στο ηλεκτρικό εργαλείο αυξάνει τον κίνδυνο ηλεκτροπληξίας.
- Μη χρησιμοποιείτε το καλώδιο για να μεταφέρετε ή να μετακινήσετε το ηλεκτρικό εργαλείο, ή για να βγάλετε το βύσμα από την πρίζα. Κρατάτε το καλώδιο μακριά από πηγές υψηλής θερμοκρασίας, κοφτερά αντικείμενα και από κινούμενα εξαρτήματα. Τα καλώδια που έχουν υποστεί οποιαδήποτε ζημιά αυξάνουν τον κίνδυνο ηλεκτροπληξίας.
- Όταν εργάζεστε μ' ένα ηλεκτρικό εργαλείο σε εξωτερικό χώρο, χρησιμοποιείτε καλώδια προέκτασης (μπαλαντέζες) που είναι κατάλληλα για χρήση σε εξωτερικούς χώρους. Η χρήση καλωδίων προέκτασης κατάλληλων για εξωτερικούς χώρους μειώνει τον κίνδυνο ηλεκτροπληξίας.
- Όταν η χρήση του ηλεκτρικού εργαλείου σε χώρους με υψηλή υγρασία ή με υγρά είναι αναπόφευκτη, τότε χρησιμοποιήστε μια διάταξη προστασίας ρεύματος διαρροής (RCD). Η χρήση μιας διάταξης προστασίας ρεύματος διαρροής μειώνει τον κίνδυνο ηλεκτροπληξίας.

Προσωπική ασφάλεια

- Να είστε πάντοτε προσεκτικοί, να δίνετε προσοχή στην εργασία που εκτελείτε και να χειρίζεστε το μηχάνημα με σύνεση. Μη χρησιμοποιείτε το ηλεκτρικό εργαλείο αν νιώθετε κόπωση ή αν βρίσκεστε υπό την επήρεια αλκοόλ ή άλλων ουσιών. Μια στιγμή απροσεξίας κατά τον χειρισμό του ηλεκτρικού εργαλείου μπορεί να οδηγήσει σε σοβαρό τραυματισμό.
- Φοράτε κατάλληλο εξοπλισμό ατομικής προστασίας. Επιλέξτε τον κατάλληλο εξοπλισμό προστασίας, για παράδειγμα μια μάσκα προστασίας από την σκόνη, αντιλιοθητικές μπότες ασφαλείας, κράνος προστασίας, προστατευτικά ακοής, ανάλογα με το εκάστοτε εργαλείο και τη χρήση του, έτσι ώστε να μειωθεί ο κίνδυνος τραυματισμού.
- Λάβετε μέτρα για να αποφύγετε την ακούσια εκκίνηση. Βεβαιωθείτε ότι το κουμπί ενεργοποίησης του εργαλείου βρίσκεται στη θέση off πριν συνδέσετε το βύσμα στην πρίζα, πριν τοποθετήσετε τις μπαταρίες στο εργαλείο, και πριν το μεταφέρετε και το κουβαλήσετε. Όταν μεταφέρετε το ηλεκτρικό εργαλείο ακουμπώντας το δάχτυλό σας στο διακόπτη ON/OFF ή όταν συνδέσετε το εργαλείο με την πηγή ρεύματος όταν αυτό είναι ενεργοποιημένο, τότε δημιουργείται κίνδυνος τραυματισμού.
- Αφαιρείτε από τα ηλεκτρικά εργαλεία τυχόν εργαλεία ρύθμισης πριν θέσετε το ηλεκτρικό εργαλείο σε λειτουργία. Ένα εργαλείο ρύθμισης που βρίσκεται συνδεδεμένο σ' ένα κινούμενο τμήμα μπορεί να οδηγήσει σε τραυματισμό.
- Μην κρατάτε το εργαλείο σε θέση υπερέκτασης. Διατηρήστε την ισορροπία σας και να στέκεστε με σωστή στάση σώματος έτσι ώστε να είστε σε θέση να αντιμετωπίσετε απροσδόκητες περιστάσεις.
- Ντυθείτε με τα κατάλληλα ενδύματα. Μη φοράτε ρούχα με χαλαρή εφαρμογή ή κοσμήματα. Κρατήστε τα μαλλιά, τα ρούχα και τα χέρια σας σε ασφαλή απόσταση από τα κινούμενα εξαρτήματα.

Ορθότητα χειρισμού και συντήρηση ηλεκτρικών εργαλείων

- Μην ασκείτε υπερβολική πίεση στο εργαλείο. Χρησιμοποιήστε το κατάλληλο εργαλείο για τον σκοπό για τον οποίο προορίζεται. Η χρήση του σωστού εργαλείου για τον σκοπό για τον οποίο προορίζεται θα καταστήσει την εργασία ασφαλέστερη.
- Μη χρησιμοποιήσετε ποτέ ένα εργαλείο αν το κουμπί ενεργοποίησής του δεν λειτουργεί. Ένα ηλεκτρικό εργαλείο το οποίο δεν μπορεί πλέον να ενεργοποιηθεί ή/και να απενεργοποιηθεί με το εν λόγω κουμπί είναι επικίνδυνο και πρέπει να επισκευαστεί.
- Αποσυνδέστε το βύσμα του καλωδίου από την πρίζα και/ή αφαιρέστε την μπαταρία πριν προβείτε σε εργασίες συντήρησης ή αντικατάστασης εξαρτήματος του εργαλείου ή όταν πρόκειται να φυλάξετε το εργαλείο. Αυτά τα μέτρα πρόληψης μειώνουν τον κίνδυνο της ακούσιας εκκίνησης του ηλεκτρικού εργαλείου.
- Όταν δεν χρησιμοποιείται, φυλάξτε το ηλεκτρικό εργαλείο σε σημείο μη προσβάσιμο από παιδιά.
- Δεν πρέπει να επιτρέπεται η χρήση του ηλεκτρικού εργαλείου σε άτομα που δεν έχουν εξοικωωθεί με την χρήση του ή που δεν έχουν διαβάσει τις οδηγίες χρήσης του. Το ηλεκτρικό εργαλείο είναι επικίνδυνο όταν χρησιμοποιείται από άπειρα άτομα ή από άτομα που δεν έχουν διαβάσει τις οδηγίες χρήσης του.

- Συντηρήστε το ηλεκτρικό εργαλείο. Ελέγχετε αν τα κινούμενα εξαρτήματα λειτουργούν σωστά, αν υπάρχει κάποιο μπλοκάρισμα, ή αν έχουν σπάσει σε κάποιο σημείο ή φθαρεί εξαρτήματα τα οποία ενδέχεται να επηρεάσουν αρνητικά την λειτουργία του ηλεκτρικού εργαλείου. Η λανθασμένη συντήρηση των ηλεκτρικών εργαλείων προκαλεί ατυχήματα.
- Διατηρείτε τα εργαλεία κοπής αιχμηρά και σε καλή κατάσταση. Τα επαρκώς συντηρημένα κοπτικά εργαλεία είναι πιο δύσκολο να μπλοκαριστούν και έχουν υψηλότερη απόδοση.
- Χρησιμοποιείτε όλα τα τμήματα του εξοπλισμού και το ίδιο το εργαλείο σύμφωνα με τις οδηγίες του εγχειριδίου. Λαμβάνετε επίσης υπόψη σας τους εξωτερικούς παράγοντες και τις συνθήκες της εκάστοτε εργασίας.
- Η χρήση του ηλεκτρικού εργαλείου για εργασίες άλλες από τις προβλεπόμενες μπορεί να οδηγήσει σε ατύχημα.
- Διατηρείτε τις λαβές και τις επιφάνειες πρόσφυσης του ηλεκτρικού εργαλείου στεγνές, καθαρές και απαλλαγμένες από λάδια και γράσα. Οι ολισθηρές λαβές και επιφάνειες πρόσφυσης καταστούν αδύνατο τον ασφαλή χειρισμό του εργαλείου σε απρόβλεπτες περιστάσεις.

Οδηγίες ασφαλείας για εργαλεία με μπαταρίες

- Επαναφορτίζετε τις μπαταρίες μόνο με τον φορτιστή που ορίζει ο κατασκευαστής. Ένας φορτιστής που χρησιμοποιείται για τη φόρτιση ακατάλληλων μπαταριών μπορεί να δημιουργήσει κίνδυνο πυρκαγιάς.
- Χρησιμοποιείτε το ηλεκτρικό εργαλείο μόνο με τις προβλεπόμενες μπαταρίες. Η χρήση άλλων μπαταριών μπορεί να δημιουργήσει κίνδυνο τραυματισμού και πυρκαγιάς.
- Όταν η μπαταρία δεν χρησιμοποιείται, κρατήστε το μακριά από μεταλλικά αντικείμενα όπως συνδετήρες, κέρματα, κλειδιά, καρφιά, βίδες ή άλλα μικρά μεταλλικά αντικείμενα που μπορούν να κάνουν σύνδεση από τον έναν ακροδέκτη στον άλλον.
- Το βραχυκύκλωμα των ακροδεκτών της μπαταρίας μπορεί να προκαλέσει εγκαύματα ή πυρκαγιά.
- Υπό συνθήκες κακομεταχείρισης, μπορεί να εκτοξευτεί υγρό από την μπαταρία. Αποφύγετε την επαφή με το υγρό της μπαταρίας.
- Σε περίπτωση επαφής με το υγρό, ξεπλύνετε με νερό. Εάν το υγρό έρθει σε επαφή με τα μάτια, αναζητήστε αμέσως ιατρική βοήθεια. Το υγρό που εκτοξεύεται από την μπαταρία μπορεί να προκαλέσει ερεθισμό ή εγκαύματα.

Service

- Αναθέστε τη συντήρηση και την επισκευή του ηλεκτρικού εργαλείου σε εξειδικευμένο προσωπικό σέρβις, χρησιμοποιώντας μόνο πανομοιότυπα ανταλλακτικά. Με τον τρόπο αυτό θα διασφαλιστεί η διατήρηση της ασφάλειας του ηλεκτρικού εργαλείου.
- Ποτέ μην επιχειρήσετε να επισκευάσετε μόνοι σας τις μπαταρίες που έχουν υποστεί βλάβη. Το σέρβις των μπαταριών πρέπει να εκτελείται μόνο από τον κατασκευαστή ή από εξουσιοδοτημένους τεχνικούς σέρβις.

Οδηγίες ασφαλείας για την μπαταρία

- Μην αποσυναρμολογήσετε, ανοίξετε, διαλύσετε ή κάψετε την μπαταρία.
- Μην βραχυκυκλώσετε την μπαταρία.
- Μην εκθέτετε την μπαταρία σε πηγές θερμότητας και μην τη ρίξετε σε φωτιά.
- Αποφύγετε την αποθήκευση της μπαταρίας σε σημείο όπου θα δέχεται άμεσο ηλιακό φως.
- Μην υποβάλλετε την μπαταρία σε κραδασμούς.
- Σε περίπτωση διαρροής της μπαταρίας, μην αφήσετε το υγρό να έρθει σε επαφή με το δέρμα ή τα μάτια. Σε περίπτωση επαφής, πλύνετε την επηρεασμένη περιοχή με άφθονο νερό και ζητήστε ιατρική συμβουλή.
- Ζητήστε αμέσως ιατρική συμβουλή σε περίπτωση κατάποσης της μπαταρίας.
- Διατηρήστε την μπαταρία καθαρή και στεγνή.
- Η μπαταρία πρέπει να φορτιστεί πριν από τη χρήση.
- Χρησιμοποιήστε τη σωστή διαδικασία φόρτισης.
- Μετά από παρατεταμένες περιόδους αποθήκευσης, μπορεί να χρειαστεί να φορτίσετε και να αποφορτίσετε την μπαταρία αρκετές φορές για να επιτύχετε τη μέγιστη δυνατή απόδοση.
- Η μπαταρία αποδίδει βέλτιστα όταν λειτουργεί σε κανονική θερμοκρασία δωματίου (20 °C ± 5 °C).
- Φορτίζετε μόνο με τον καθορισμένο φορτιστή. Μην χρησιμοποιείτε άλλο φορτιστή εκτός από αυτόν που παρέχεται.
- Μην χρησιμοποιείτε οποιοδήποτε μπαταρία που δεν έχει σχεδιαστεί για χρήση με τον εξοπλισμό.
- Φυλάξτε την μπαταρία μακριά από παιδιά.
- Αφαιρέστε την μπαταρία από τον εξοπλισμό όταν δεν χρησιμοποιείται.
- Προσέξτε τα σημάδια συν (+) και μείον (-) στην μπαταρία και διασφαλίστε τη σωστή χρήση.
- Βεβαιωθείτε ότι η μπαταρία έχει αφαιρεθεί πριν από την αλλαγή εξαρτημάτων και πριν από εργασίες συντήρησης ή επισκευής.
- Κρατήστε την μπαταρία μακριά από μικροκύματα και υψηλή πίεση.
- Μην φυλάσσετε το εργαλείο και τις μπαταρίες σε μέρη όπου η θερμοκρασία υπερβαίνει τους 50°C.

Οδηγίες ασφαλείας για τον φορτιστή

- Προτού φορτίσετε τις μπαταρίες, διαβάστε τις οδηγίες.
- Μην φορτίζετε μη επαναφορτιζόμενες μπαταρίες με τον φορτιστή.
- Τα παιδιά θα πρέπει να επιβλέπονται για να διασφαλιστεί ότι δεν θα παίζουν με το φορτιστή.
- Εάν το καλώδιο τροφοδοσίας έχει υποστεί ζημιά, θα πρέπει να αντικατασταθεί από τον κατασκευαστή, τον αντιπρόσωπο σέρβις του ή από άτομα με παρόμοια προσόντα, προκειμένου να αποφευχθεί ο κίνδυνος.
- Μην φορτίζετε μια μπαταρία που παρουσιάζει διαρροή.
- Μην εκθέτετε τον φορτιστή σε βροχή.

- Προστατεύετε το φορτιστή από την υγρασία.
- Μην βραχυκυκλώνετε τις επαφές της μπαταρίας ή του φορτιστή.
- Τηρείτε την ορθή πολικότητα "+/-" κατά τη φόρτιση.
- Μην ανοίγετε τη μονάδα και κρατήστε την μακριά από παιδιά.
- Μην φορτίζετε τις μπαταρίες άλλων κατασκευαστών ή οποιοσδήποτε ασύμβατες μπαταρίες.
- Βεβαιωθείτε ότι η μπαταρία έχει τοποθετηθεί σωστά στον φορτιστή και ότι η επαφή μεταξύ τους δεν εμποδίζεται από ξένα σώματα.
- Διατηρείτε τον φορτιστή καθαρό και φυλάσσετε τον σε στεγνό μέρος χωρίς πάγο.
- Κατά τη φόρτιση των μπαταριών, βεβαιωθείτε ότι ο φορτιστής βρίσκεται σε καλά αεριζόμενο χώρο και μακριά από εύφλεκτα υλικά. Οι μπαταρίες μπορεί να ζεσταθούν κατά τη διάρκεια της φόρτισης. Μην υπερφορτίζετε καμία μπαταρία. Βεβαιωθείτε ότι ο φορτιστής επιβλέπεται κατά τη διάρκεια της φόρτισης των μπαταριών.
- Μην επαναφορτίζετε μη επαναφορτιζόμενες μπαταρίες, καθώς μπορεί να υπερθερμανθούν και να σπάσουν.
- Χρησιμοποιείτε τον φορτιστή σε χώρους όπου η θερμοκρασία του αέρα κυμαίνεται μεταξύ των 18°C και 24°C, ώστε να παρατείνετε τη διάρκεια ζωής του και να εξασφαλίσετε τη βέλτιστη απόδοση. Μην φορτίζετε τη μπαταρία σε χώρους όπου η θερμοκρασία αέρα είναι μικρότερη από 10°C ή μεγαλύτερη από 40°C καθώς αυτό μπορεί να προκαλέσει σοβαρή βλάβη στη μπαταρία.

ΦΟΡΤΙΣΗ ΤΗΣ ΜΠΑΤΑΡΙΑΣ

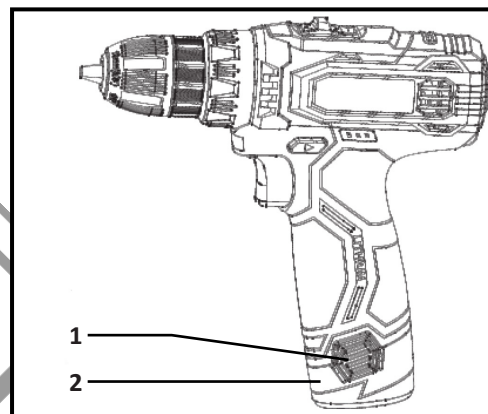
Πριν χρησιμοποιήσετε το δραπανοκατσάβιδο, φορτίστε την μπαταρία ακολουθώντας τα εξής βήματα

1. Συνδέστε το φορτιστή μπαταρίας σε κατάλληλη πρίζα AC. Η ενδεικτική λυχνία φόρτισης της μπαταρίας θα ανάψει με πράσινο χρώμα.
2. Εισαγάγετε την μπαταρία έτσι ώστε οι ακροδέκτες συν και μείον της μπαταρίας να βρίσκονται στις πλευρές με τις αντίστοιχες σημάνσεις στο φορτιστή.
3. Όταν η μπαταρία εισαχθεί πλήρως, η ενδεικτική λυχνία φόρτισης της μπαταρίας θα αλλάξει χρώμα από πράσινο σε κόκκινο, υποδεικνύοντας ότι η μπαταρία φορτίζεται. Η ενδεικτική λυχνία φόρτισης θα παραμένει σταθερά αναμμένη όσο η μπαταρία φορτίζεται.
4. Όταν η μπαταρία φορτιστεί πλήρως, η ενδεικτική λυχνία φόρτισης της μπαταρίας θα αλλάξει χρώμα από κόκκινο σε πράσινο.
5. Μετά τη φόρτιση, αποσυνδέστε το φορτιστή από την πρίζα.

ΟΔΗΓΙΕΣ ΧΡΗΣΗΣ

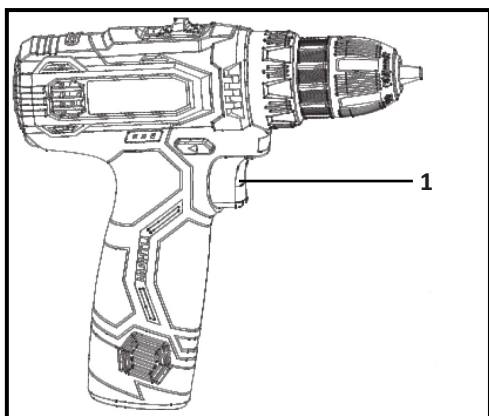
Τοποθέτηση και αφαίρεση της μπαταρίας (Σχ. 1)

- Απενεργοποιείτε πάντα το εργαλείο πριν τοποθετήσετε ή αφαιρέσετε την μπαταρία.
- Για να αφαιρέσετε την μπαταρία, τραβήξτε την προς τα έξω πιέζοντας ταυτόχρονα τα κουμπιά και στις δύο πλευρές της μπαταρίας.
- Για να τοποθετήσετε την μπαταρία, ευθυγραμμίστε τη γλωττίδα της μπαταρίας με την εγκοπή στο περίβλημα και σύρετέ την μέχρι να ασφαλίσει στη θέση της με ένα χαρακτηριστικό ήχο τύπου "κλικ". Σε περίπτωση που η μπαταρία δεν έχει τοποθετηθεί σωστά, μπορεί να βγει από τη θέση της και να πέσει, προκαλώντας τραυματισμό σε εσάς ή σε παρευρισκόμενους.
- Μην ασκείτε υπερβολική πίεση για να ασφαλίσει η μπαταρία στη θέση της. Εάν η μπαταρία δεν μπαίνει εύκολα, αυτό σημαίνει ότι τοποθετείται λανθασμένα.



1. Κουμπί
2. Μπαταρία

Σχ. 1



Σχ. 2

1. Σκανδάλη

Ενεργοποίηση/απενεργοποίηση (Σχ. 2)

- Όταν πατηθεί η σκανδάλη, το ηλεκτρικό εργαλείο θα αρχίσει να λειτουργεί.
- Μπορείτε να ελέγξετε την ταχύτητα περιστροφής αυξομειώνοντας την πίεση που ασκείτε πάνω στη σκανδάλη.
- Όταν αφεθεί η σκανδάλη, το δραπανοκατσάβιδο θα σταματήσει να λειτουργεί.

Ηλεκτρικό φρένο

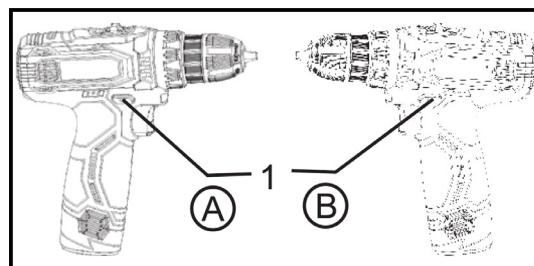
- Το εργαλείο είναι εξοπλισμένο με ηλεκτρικό φρένο. Εάν το δραπανοκατσάβιδο δεν σταματάει γρήγορα μετά την απελευθέρωση της σκανδάλης, το εργαλείο πρέπει να επισκευαστεί.

Διακόπτης φοράς περιστροφής (Σχ. 3)

- Το εργαλείο διαθέτει διακόπτη φοράς περιστροφής ο οποίος αλλάζει την φορά περιστροφής όταν πατηθεί.
- Πατήστε το διακόπτη φοράς περιστροφής από την πλευρά A για δεξιόστροφη φορά περιστροφής ή από την πλευρά B για αριστερόστροφη φορά περιστροφής.
- Όταν ο διακόπτης φοράς περιστροφής βρίσκεται στην ουδέτερη θέση, η σκανδάλη δεν μπορεί να τραβηχτεί.

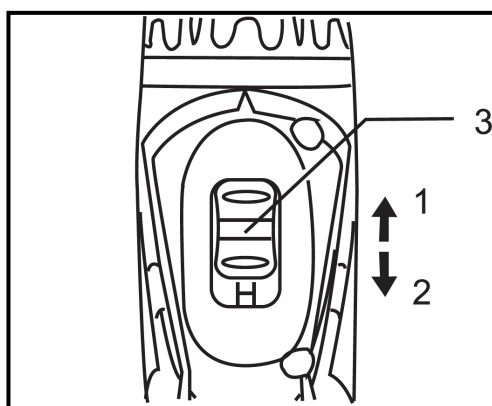
Προσοχή

- Ελέγχετε πάντα τη φορά περιστροφής πριν από τη λειτουργία.
- Χρησιμοποιήστε το διακόπτη φοράς περιστροφής μόνο αφού το εργαλείο έχει σταματήσει εντελώς. Η αλλαγή της φοράς περιστροφής ενώ το εργαλείο βρίσκεται σε λειτουργία μπορεί να προκαλέσει ζημιά στο δραπανοκατσάβιδο.
- Όταν δεν χρησιμοποιείτε το εργαλείο, να θέτετε πάντα τον διακόπτη φοράς περιστροφής στην ουδέτερη θέση.



1. Διακόπτης φοράς περιστροφής

Σχ. 3



Σχ. 4

1. Υψηλή ταχύτητα
2. Χαμηλή ταχύτητα
3. Διακόπτης αλλαγής ταχύτητας

Διακόπτης αλλαγής ταχύτητας (Σχ. 4)

- Για να αλλάξετε την ταχύτητα, απενεργοποιήστε πρώτα το εργαλείο και στη συνέχεια θέστε το διακόπτη αλλαγής ταχύτητας στη θέση "2" για υψηλή ταχύτητα ή στη θέση "1" για χαμηλή ταχύτητα.
- Χρησιμοποιήστε τη σωστή ταχύτητα για την εκάστοτε εργασία.

Προσοχή

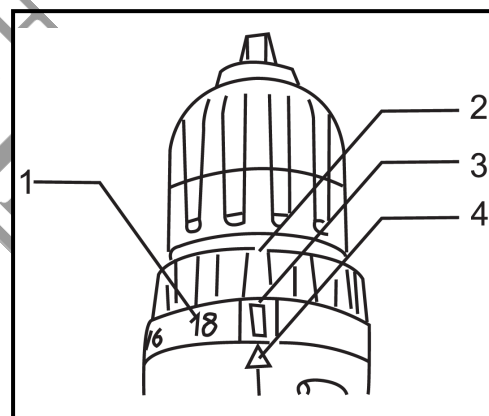
- Ο διακόπτης αλλαγής ταχύτητας πρέπει να βρίσκεται στη σωστή θέση. Το δραπανοκατσάβιδο μπορεί να υποστεί ζημιά αν τεθεί σε λειτουργία με το διακόπτη αλλαγής ταχύτητας τοποθετημένο ανάμεσα στις 2 θέσεις.
- Μην χρησιμοποιείτε τον διακόπτη αλλαγής ταχύτητας ενώ το εργαλείο βρίσκεται σε λειτουργία, διαφορετικά μπορεί να προκληθεί ζημιά στο μηχανήμα.

Δακτύλιος ρύθμισης ροπής (Σχ. 5)

- Περιστρέψτε τον δακτύλιο ρύθμισης ροπής στην επιθυμητή θέση για να επιλέξετε τη ροπή.
- 18+1 θέσεις ροπής υποδεικνύονται στον δακτύλιο ρύθμισης ροπής.
- Επιλέξτε χαμηλή ροπή όταν για τη σύσφιξη κοντών βιδών και για λιγότερο απαιτητικές εργασίες.
- Οι δεξιόστροφες περιστροφές του επιλογέα αυξάνουν τη ροπή.
- Η θέση της μέγιστης ροπής είναι η θέση διάτρησης που υποδεικνύεται με το σύμβολο του δραπάνου. Σε αυτή τη θέση, ο συμπλέκτης δεν θα είναι ενεργός για να αυξηθεί η απόδοση κατά την διάρκεια εκτέλεσης πιο απαιτητικών εργασιών βιδώματος.

Προσοχή

- Όταν επιλέγετε την επιθυμητή ροπή, βεβαιωθείτε ότι ο δείκτης δεν θα βρίσκεται ανάμεσα σε δυο θέσεις ροπής.
- Μην χρησιμοποιείτε το εργαλείο με τον δακτύλιο ρύθμισης ροπής να βρίσκεται μεταξύ της θέσης 18 και της θέσης διάτρησης, διαφορετικά το δραπανοκατσάβιδο μπορεί να υποστεί ζημιά.

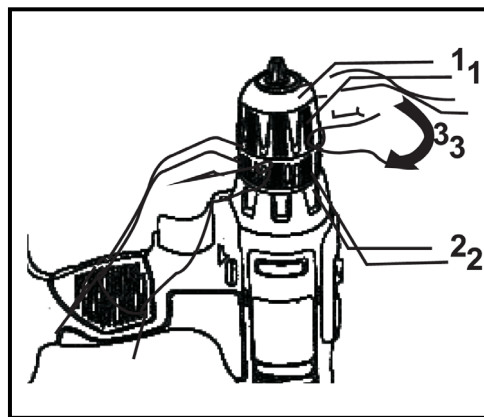


1. Θέσεις ροπής
2. Δακτύλιος ρύθμισης ροπής
3. Θέση διάτρησης
4. Δείκτης

Σχ. 5

Τοποθέτηση/αφαίρεση μυτών (Σχ. 6)

- Κρατήστε τον δακτύλιο και γυρίστε το χιτώνιο αριστερόστροφα για να ανοίξετε τις σιαγόνες του τσοκ.
- Τοποθετήστε τη μύτη μέσα στο τσοκ.
- Κρατήστε σταθερά τον δακτύλιο και γυρίστε το χιτώνιο δεξιόστροφα για να σφίξετε το τσοκ.
- Για να αφαιρέσετε τη μύτη, κρατήστε το δακτύλιο και γυρίστε το χιτώνιο αριστερόστροφα.



1. Χιτώνιο
2. Δακτύλιος
3. Σφίξτε

Σχ. 6

Βίδωμα

Τοποθετήστε την άκρη της μύτες στην κεφαλή της βίδας και ασκήστε πίεση στο εργαλείο.

Θέστε σε λειτουργία το εργαλείο με χαμηλή ταχύτητα, αυξάνοντας την ταχύτητα σταδιακά.

Σημείωση: Συνιστάται η προδιάτρηση οπών πριν από το βίδωμα ξυλόβιδων προκειμένου το βίδωμα να γίνεται ευκολότερο και να αποφεύγεται η πρόκληση ζημιάς στο τεμάχιο εργασίας.

Διάτρηση

- Πριν από τη διάτρηση, περιστρέψτε τον δακτύλιο ρύθμισης ροπής στη θέση διάτρησης που υποδεικνύεται με το σύμβολο του δραπάνου.

Συμβουλές ορθής χρήσης

- Η άσκηση υπερβολικής πίεσης στο εργαλείο δεν επιταχύνει τη διάτρηση. Αντιθέτως, η άσκηση υπερβολικής πίεσης στο εργαλείο θα προκαλέσει ζημιά στη μύτη, θα μειώσει την απόδοση του εργαλείου και θα μειώσει τη διάρκεια ζωής του.
- Κρατάτε πάντα σταθερά το ηλεκτρικό εργαλείο κατά τη διάρκεια της λειτουργίας.
- Οι σφηνωμένες μύτες μπορούν να αφαιρεθούν θέτοντας τον διακόπτη φοράς περιστροφής στη θέση αριστερόστροφης περιστροφής και στη συνέχεια αφαιρώντας τις μύτες με το εργαλείο.
- Ασφαλίστε πάντα τα μικρά τεμάχια εργασίας σε μέγνη ή σε άλλη παρόμοια συσκευή στερέωσης.
- Εάν το εργαλείο λειτουργεί συνεχώς μέχρι να αποφορτιστεί η μπαταρία, σταματήστε τη λειτουργία του εργαλείου για 15 λεπτά πριν συνεχίσετε τη λειτουργία με καινούργια μπαταρία.

ΚΑΘΑΡΙΣΜΟΣ ΚΑΙ ΣΥΝΤΗΡΗΣΗ

- Απενεργοποιήστε τη συσκευή και αφαιρέστε την μπαταρία πριν προβείτε στον καθαρισμό και στη συντήρηση του εργαλείου.
- Καθαρίστε το ηλεκτρικό εργαλείο με ένα βρεγμένο πανί. Μην χρησιμοποιείτε καθαριστικά με βάση διαλύτες.
- Μην βυθίζετε τη συσκευή σε νερό.
- Μην καθαρίζετε τη μονάδα με νερό υπό πίεση, όπως νερό από λάστιχο.

ΠΡΟΔΙΑΓΡΑΦΕΣ

Τεχνικές προδιαγραφές	
Μοντέλο	BCD2020
Μπαταρία	12 V / Li-ion / 1*1500 mAh
Τάση / συχνότητα φορτιστή	220-240 V / 50-60 Hz
Στροφές χωρίς φορτίο	0-350/0-1350 rpm
Θέσεις ροπής	18+1 θέσεις
Μέγιστη ροπή	20 Nm
Τσοκ	0.8-10mm τσοκ χωρίς κλειδί
Χρόνος φόρτισης	1,5 ώρες
Χαρακτηριστικά	Διακόπτης φοράς περιστροφής, LED φως
Περιλαμβάνει	88τμχ σετ βίδες και καρφιά, 1τμχ μετροταινία 3m*16mm, 1τμχ μαχαίρι 200mm, 1τμχ μαχαίρι 18mm, 1τμχ σφυρί 200g, 1τμχ κατσαβίδι 6*100mm, 1τμχ κατσαβίδι rh2100mm, 1τμχ ανιχνευτής τάσης, 1τμχ συνδυαστική πένσα 6", 1τμχ ρυθμιζόμενο κλειδί 6", 8τμχ εξαγωνικά κλειδιά (1.5/2/2.5/3/4/5/5.5/6mm), 9τμχ ούπες 1/4":5/6/7/8/9/10/11/12/13mm, 10τμχ σετ μύτες 25mm, 1τμχ μαγνητικός αντάπτορας 1/4"x60mm, 1τμχ μπαταρίες, 1τμχ βύσμα VDE, βαλίτσα BMC

* Ο κατασκευαστής διατηρεί το δικαίωμα να πραγματοποιήσει δευτερεύουσες αλλαγές στο σχεδιασμό του προϊόντος και στα τεχνικά χαρακτηριστικά χωρίς προηγούμενη ειδοποίηση, εκτός εάν οι αλλαγές αυτές επηρεάζουν σημαντικά την απόδοση και λειτουργία ασφάλειας των προϊόντων. Τα εξαρτήματα που περιγράφονται / απεικονίζονται στις σελίδες του εγχειριδίου που κρατάτε στα χέρια σας ενδέχεται να αφορούν και σε άλλα μοντέλα της σειράς προϊόντων του κατασκευαστή, με παρόμοια χαρακτηριστικά, και ενδέχεται να μην περιλαμβάνονται στο προϊόν που μόλις αποκτήσατε.

* Για να διασφαλιστεί η ασφάλεια και η αξιοπιστία του προϊόντος καθώς και η ισχύς της εγγύησης όλες οι εργασίες επιδιόρθωσης, ελέγχου, επισκευής ή αντικατάστασης συμπεριλαμβανομένης της συντήρησης και των ειδικών ρυθμίσεων, πρέπει να εκτελούνται μόνο από τεχνικούς του εξουσιοδοτημένου τμήματος Service του κατασκευαστή.

* Χρησιμοποιείτε πάντα το προϊόν με τον παρεχόμενο εξοπλισμό. Η λειτουργία του προϊόντος με μη-προβλεπόμενο εξοπλισμό ενδέχεται να προκαλέσει βλάβη ή ακόμα και σοβαρό τραυματισμό ή θάνατο. Ο κατασκευαστής και ο εισαγωγέας ουδεμία ευθύνη φέρει για τραυματισμούς και βλάβες που προκύπτουν από την χρήση μη προβλεπόμενου εξοπλισμού.

ΑΠΟΡΡΙΨΗ ΣΤΟ ΠΕΡΙΒΑΛΛΟΝ

Προκειμένου να αποφευχθούν ζημιές κατά τη μεταφορά, το εργαλείο πρέπει να παραδίδεται σε στερεά συσκευασία. Η συσκευασία καθώς και η μονάδα και τα εξαρτήματα είναι κατασκευασμένα από ανακυκλώσιμα υλικά και μπορούν να απορριφθούν αναλόγως. Τα πλαστικά εξαρτήματα του εργαλείου φέρουν σήμανση ανάλογα με το υλικό τους, γεγονός που καθιστά δυνατή την απομάκρυνση φιλικών προς το περιβάλλον και διαφοροποιημένων λόγω των διαθέσιμων εγκαταστάσεων συλλογής.

**Μόνο για χώρες της Ευρωπαϊκής Ένωσης**

Μην πετάτε τα ηλεκτρικά εργαλεία μαζί με τα οικιακά απορρίμματα!

Σύμφωνα με την Ευρωπαϊκή Οδηγία 2002/96/EK για τα απόβλητα ηλεκτρικού και ηλεκτρονικού εξοπλισμού και την εφαρμογή της σύμφωνα με την εθνική νομοθεσία, τα ηλεκτρικά εργαλεία που έχουν φτάσει στο τέλος της ζωής τους πρέπει να συλλέγονται χωριστά και να επιστρέφονται σε μια περιβαλλοντικά συμβατή εγκατάσταση ανακύκλωσης.

A large, diagonal watermark reading "BORMANN" in a stylized font, with a registered trademark symbol (®) at the end.

EL

Τα ηλεκτρικά εργαλεία έχουν κατασκευαστεί με αυστηρά πρότυπα που έχει θέσει η εταιρεία και συνάδουν με τα ευρωπαϊκά πρότυπα ποιότητας. Για τα ηλεκτρικά εργαλεία της εταιρείας μας παρέχεται περίοδος εγγύησης 24 μηνών για ερασιτεχνική χρήση, 12 μηνών για επαγγελματική χρήση και 12 μηνών για τις μπαταρίες και τους φορτιστές. Η ισχύς της εγγύησης ξεκινά από την ημερομηνία αγοράς του προϊόντος. Αποδεικτικό του δικαιώματος της εγγύησης αποτελεί το παραστατικό αγοράς του εργαλείου (απόδειξη λιανικής ή τιμολόγιο). Σε καμία περίπτωση η εταιρεία δεν καλύπτει τη σχετική δαπάνη ανταλλακτικών και εργασιών εάν και εφόσον δε συνοδεύεται από αντίγραφο του παραστατικού αγοράς. Σε περίπτωση που η επισκευή πρέπει να γίνει στο service μας η δαπάνη μεταφοράς (από και προς) βαρύνει εξ' ολοκλήρου τον αποστολέα. Τα εργαλεία αποστέλλονται για την επισκευή τους στην εταιρεία ή σε εξουσιοδοτημένο συνεργείο με τον ενδεδειγμένο τρόπο και μέσο μεταφοράς.

ΕΞΑΙΡΕΣΕΙΣ ΚΑΙ ΠΕΡΙΟΡΙΣΜΟΙ ΤΗΣ ΕΓΓΥΗΣΗΣ:

- 1) Ανταλλακτικά που φθείρονται φυσιολογικά από τη χρήση τους (καρβουνάκια, καλώδιο, διακόπτες, φορτιστές, τσοκ κ.λπ.).
- 2) Εργαλεία που έχουν υποστεί ζημιές από τη μη συμμόρφωση με τις οδηγίες του κατασκευαστή.
- 3) Εργαλεία με ελλιπή συντήρηση.
- 4) Χρήση μη ενδεδειγμένων λιπαντικών ή εξαρτημάτων.
- 5) Εργαλεία που έχουν δοθεί χωρίς επιβάρυνση.
- 6) Βλάβη που οφείλεται σε ηλεκτρική σύνδεση σε τάση διαφορετική από την αναγραφόμενη στην πινακίδα συσκευής.
- 7) Σύνδεση σε μη γειωμένο ρευματοδότη.
- 8) Μεταβολή της τάσης του ρεύματος.
- 9) Βλάβη που προκύπτει από τη χρήση αλμυρού νερού (π.χ. πλυστικά, αντλίες).
- 10) Βλάβη ή κακή λειτουργία που έχει προκύψει από πλημμελή καθαρισμό του εργαλείου.
- 11) Επαφή του εργαλείου με χημικά, ή βλάβη από υγρασία, διάβρωση.
- 12) Εργαλεία που έχουν υποστεί τροποποιήσεις – αλλαγές ή έχουν ανοιχτεί από μη εξουσιοδοτημένο συνεργείο.
- 13) Εργαλεία που χρησιμοποιούνται για ενοίκιαση.

Η εγγύηση καλύπτει αποκλειστικά τη δωρεάν αντικατάσταση του εξαρτήματος που έχει κατασκευαστικό ελάττωμα ή αστοχία υλικού. Σε περίπτωση έλλειψης ανταλλακτικού η εταιρεία διατηρεί το δικαίωμα αντικατάστασης του εργαλείου με άλλο αντίστοιχο μοντέλο. Μετά τη διεκπεραίωση εγγύησης δεν επιμηκύνεται ούτε ανανεώνεται ο χρόνος εγγύησης του εργαλείου. Τα ανταλλακτικά ή τα εργαλεία τα οποία αντικαθίστανται παραμένουν στην κατοχή της εταιρείας μας. Άλλες απαιτήσεις, εκτός από αυτές που αναφέρονται σε αυτό το έντυπο εγγύησης επισκευής ή βλαβών ηλεκτρικών εργαλείων, δεν ισχύουν. Για την εγγύηση αυτή ισχύει το ελληνικό Δίκαιο.

EN

The power tools have been manufactured according to strict standards, set by our company, which are aligned with the respective European quality standards. The power tools of our company are provided with a warranty period of 24 months for non-professional use, 12 months for professional use and 12 months for batteries and chargers. The warranty is valid from the date of purchase of the product. Proof of the warranty right is the purchase document of the tool (retail receipt or invoice). Under no circumstances shall the company cover the relevant cost of spare parts and respective required working hours unless a copy of the purchase document is presented. In case the repair has to be done by our service department the cost of transportation (to and from) is entirely borne by the sender (client). The tools must be sent for repair to the company or to an authorized workshop in the appropriate way and means of transport.

WARRANTY EXEMPTIONS AND RESTRICTIONS:

- 1) Spare parts that wear out naturally as a consequence of being used (brushes, cables, switches, chargers, chokes etc.).
- 2) Tools damaged as a result of non-compliance with the instructions of the manufacturer.
- 3) Tools poorly maintained.
- 4) Use of improper lubricants or accessories.
- 5) Tools given to third entities free of charge.
- 6) Damage due to an electrical connection at a voltage other than that indicated on the appliance plate.
- 7) Connection to a non-earthed power supply.
- 8) Change in current voltage.
- 9) Damage resulting from the use of salty water (e.g., washing machines, pumps).
- 10) Damage or malfunction resulting from improper cleaning procedure of the tool.
- 11) Contact of the tool with chemicals, or damage as a result of moisture or corrosion.
- 12) Tools that have been modified or opened by unauthorized personnel.
- 13) Tools used for rent.

The warranty covers only the free of charge replacement of the component that presents a manufacturing defect or material failure. In case of lack of a specific spare part the company reserves the right to replace the tool with another corresponding model. After all warranty procedures have been concluded, the warranty period of the tool shall not be extended or renewed. The spare parts or tools that are replaced remain in the possession of our company. Requirements, other than those mentioned in this warranty form, regarding power tools repair or damage thereof, do not apply. Greek law and relative regulations apply to this warranty.

FR

Les outils électriques sont fabriqués selon des normes strictes, établies par notre société et se sont alignées sur les normes de qualité européennes respectives. Les outils électriques de notre société sont bénéficiés d'une garantie de 24 mois pour une utilisation non professionnelle, 12 mois pour une utilisation professionnelle et de 12 mois pour les batteries et les chargeurs. La garantie est valable à partir de la date d'achat du produit. La preuve du droit à la garantie est le document d'achat de l'outil (ticket de caisse ou facture). En aucun cas, l'entreprise ne couvrira le coût des pièces de rechange et des heures de travail nécessaires si une copie du document d'achat n'est pas présentée. Si la réparation doit être effectuée par notre service après-vente, les frais de transport (aller-retour) sont entièrement à la charge de l'expéditeur (client). Les outils doivent être envoyés pour réparation à l'entreprise ou à un atelier agréé de la manière et avec le moyen de transport appropriée.

EXEMPTIONS ET RESTRICTIONS DE GARANTIE:

- 1) Les pièces de rechange qui s'usent naturellement suite à leur utilisation (balaise, câbles, interrupteurs, chargeurs, etc.).
- 2) Les outils endommagés à la suite du non-respect des instructions du fabricant.
- 3) Outils mal entretenus.
- 4) Utilisation de lubrifiants ou d'accessoires inappropriés.
- 5) Outils donnés à des tiers à titre gratuit.
- 6) Dommages dus à un mauvais branchement électrique ou à une tension différente de celle indiquée sur la plaque de l'appareil.
- 7) Connexion à une alimentation électrique non reliée à la terre.
- 8) Fluctuation de la tension inacceptable.
- 9) Dommages résultant de l'utilisation d'eau salée (par exemple, machines à laver, pompes).
- 10) Dommages ou dysfonctionnement résultant d'une procédure de nettoyage inadéquate de l'appareil.
- 11) Contact de l'outil avec des produits chimiques, ou dommages résultant de l'humidité ou de la corrosion.
- 12) Les outils qui ont été modifiés ou ouverts par du personnel non autorisé.
- 13) Les outils utilisés à location.

La garantie couvre uniquement le remplacement gratuit du composant qui présente un défaut de fabrication ou une défaillance matérielle. En cas d'absence d'une pièce de rechange spécifique, l'entreprise se réserve le droit de remplacer l'outil par un autre modèle correspondant. Après la conclusion de toutes les procédures de garantie, la période de garantie de l'outil ne sera pas prolongée ou renouvelée. Les pièces de rechange ou les outils remplacés restent en possession de notre société. Les exigences, autres que celles mentionnées dans ce formulaire de garantie, concernant la réparation des outils électriques ou leur endommagement, ne sont pas applicables. La loi grecque et ses règlements s'appliquent à cette garantie.

IT

Gli elettrodomestici sono stati fabbricati secondo gli standard rigorosi, stabiliti dalla nostra azienda, che sono allineati con i rispettivi standard di qualità europei. Gli elettrodomestici della nostra azienda sono forniti con un periodo di garanzia di 24 mesi per uso non professionale, 12 mesi per uso professionale e 12 mesi per le batterie e i caricatori. La garanzia è valida dalla data di acquisto del prodotto. La prova del diritto di garanzia è il documento di acquisto dell'utensile (scontrino o fattura). In nessun caso l'azienda coprirà il relativo costo dei pezzi di ricambio e delle rispettive ore di lavoro necessarie se non viene presentata una copia del documento di acquisto. Nel caso in cui la riparazione debba essere effettuata dalla nostra azienda, il costo del trasporto (da e per) è interamente a carico del mittente (cliente). Gli utensili devono essere inviati per la riparazione all'azienda o ad un'officina autorizzata nel modo e nel mezzo di trasporto appropriato.

ECCEZIONI E LIMITAZIONI ALLA GARANZIA:

- 1) Pezzi di ricambio che si deteriorano naturalmente con l'uso (pezzi di consumo).
- 2) Utensili danneggiati dal mancato rispetto delle istruzioni del produttore.
- 3) Strumenti con manutenzione insufficiente.
- 4) Uso di lubrificanti o parti inappropriate.
- 5) Strumenti dati gratuitamente.
- 6) Guasto dovuto a un collegamento dell'aria compressa a una pressione diversa da quella indicata sulla targhetta dei dati tecnici.
- 7) Danni derivanti dall'uso di aria compressa impura e non filtrata.
- 8) Danni o malfunzionamenti derivanti da una pulizia inadeguata dell'utensile.
- 9) Contatto dell'utensile con prodotti chimici, o danni da umidità, corrosione.
- 10) Strumenti che hanno subito modifiche - cambiamenti o sono stati aperti da un'officina non autorizzata.
- 11) Strumenti utilizzati per il noleggio.
- 12) Strumenti che sono stati modificati o aperti da personale non autorizzato.
- 13) Strumenti utilizzati per il noleggio.

La garanzia copre solo la sostituzione gratuita del componente che presenta un difetto di fabbricazione o di materiale. In caso di mancanza di un pezzo di ricambio specifico, l'azienda si riserva il diritto di sostituire l'utensile con un altro modello corrispondente. Una volta concluse tutte le procedure di garanzia, il periodo di garanzia dell'utensile non potrà essere esteso o rinnovato. I pezzi di ricambio o gli utensili che vengono sostituiti rimangono in possesso della nostra azienda. I requisiti, diversi da quelli menzionati in questo modulo di garanzia, riguardanti la riparazione di utensili elettrici o il loro danneggiamento, non si applicano. La legge greca e i relativi regolamenti si applicano a questa garanzia.

AL

Mjetet e energjisë janë prodhuar sipas standardeve strikte, të vendosura nga kompania jonë, të cilat janë në përputhje me standardet respektive evropiane të cilësisë. Mjetet e energjisë të kompanisë sonë janë siguruar me një periudhë garancie prej 24 muajsh për përdorim jo profesional, 12 muaj për përdorim profesional dhe 12 muaj për bateritë dhe karikuesit. Garancia është e vlefshme nga data e blerjes së produktit. Prova e së drejtës së garancisë është dokumenti i blerjes së mjetit (faturë ose faturë me pakicë). Në asnjë rrethanë ndërmarrja nuk mbulon koston përkatëse të pjesëve të këmbimit dhe orarin përkatës të kërkuar të punës, përveç kur është paraqitur një kopje e dokumentit të blerjes. Në rast se riparimi duhet të bëhet nga departamenti ynë i shërbimit kostoja e transportit (për dhe nga) është tërësisht e mbajtur nga dërguesi (klienti). Mjetet duhet të dërgohen për riparim në ndërmarrje ose në një punishte të autorizuar në mënyrën dhe mjetet e duhura të transportit.

PËRJASHTIMET DHE KUFIZIMET E GARANCISË:

- 1) Pjesët rezervë që përdoren në mënyrë natyrale si pasojë e përdorur (furçat, kabllot, ndërruesit, karikuesit, mbytyet etj.).
- 2) Veglat e dëmtuara si rezultat i mosrespektimit të udhëzimeve të prodhuesit.
- 3) Mjetet e mbajtura keq.
- 4) Përdorimi i lubrifikantëve ose aksesoreve të papërshtatshëm.
- 5) Mjetet që u jepen enteve të treta pa pagesë.
- 6) Dëmtimi për shkak të një lidhje elektrike në një tension tjetër nga ai i treguar në pllakën e pajisjes.
- 7) Lidhja me furnizimin me energji jo tokësore.
- 8) Ndryshimi i tensionit aktual.
- 9) Dëmtimet që vijnë si pasojë e përdorimit të ujit të kripur (p.sh., lavatrice, pompa).
- 10) Dëmtimi ose mosfunksionimi që rezultojnë nga procedura e papërshtatshme e pastrimit të mjetit.
- 11) Kontakti i mjetit me kimikate, ose dëmtimi si pasojë e lagështisë ose korrozionit.
- 12) Mjete që janë modifikuar ose hapur nga personel i paautorizuar.
- 13) Veglat e përdorura për qira.

Garancia mbulon vetëm zëvendësimin pa pagesë të komponentit që paraqet një defekt prodhues ose dështim material. Në rast të mungesës së një pjese rezervë specifike kompania rezervon të drejtën për të zëvendësuar mjetin me një model tjetër përkatës. Pasi të jenë përfunduar të gjitha procedurat e garancisë, periudha e garancisë së mjetit nuk do të zgjatet ose të rinovohet. Pjesët e këmbimit ose mjetet që zëvendësohen mbeten në zotërim të kompanisë sonë. Kërkesat, përveç atyre të përmendura në këtë formë garancie, në lidhje me riparimin ose dëmtimin e mjeteve të energjisë elektrike, nuk zbatohen. Ligji grek dhe rregullat relative zbatohen për këtë garancie.

SRB

Električni alati su proizvedeni prema strogim standardima koje je postavila naša kompanija a koji su usklađeni sa odgovarajućim evropskim standardima kvaliteta. Električni alati naše kompanije imaju garantni rok od 24 meseca za neprofesionalnu upotrebu, 12 meseci za profesionalnu upotrebu i 12 meseci za baterije i punjače. Garancija važi od dana kupovine proizvoda. Dokaz za pravo na garanciju je dokument o kupovini električnog alata (maloprodajni račun ili faktura). Ni pod kojim okolnostima kompanija neće e pokriveni relevantne troškove rezervnih delova i potrebno odgovarajuć e radno vreme ako se ne predoči kopija dokumenta o kupovini. U slučaju da popravku treba da uradi naš servis, troškove transporta (do i od) u potpunosti snosi pošiljalac (klijent). Električni alati za popravku se šalju u firmu gde su kupljeni ili u ovlašćeni servis i to tako da budu prikladno upakovani za transport.

IZUZECI I OGRANIČENJA GARANCIJE:

- 1) Rezervni delovi koji se prirodno troše kao posledica korišćenja (četkice, kablovi, prekidači, punjači, prigušnice itd).
- 2) Alati oštećeni kao posledica nepoštovanja uputstva proizvođača.
- 3) Alati su loše održavani.
- 4) Upotreba neodgovarajućih maziva ili pribora.
- 5) Alati su dati trećim licima besplatno.
- 6) Oštećenje usled električnog priključka na napon koji nije naznačen na pločici uređaja.
- 7) Povezivanje na neuzemljeno napajanje.
- 8) Promena napona struje.
- 9) Oštećenja nastala upotrebom slane vode (npr. mašine za pranje veša, pumpe).
- 10) Oštećenje ili kvar nastao kao posledica nepravilne procedure čišćenja alata.
- 11) Kontakt alata sa hemikalijama ili oštećenje usled vlage ili korozije.
- 12) Alati koje je modifikovalo ili otvorilo neovlašćeno osoblje.
- 13) Alati koji se koriste za iznajmljivanje.

Garancija pokriva samo besplatnu zamenu komponente koja ima fabričku grešku ili materijalne nedostatke. U slučaju nedostatka rezervnog dela, kompanija zadržava pravo zamene električnog alata drugim odgovarajućim modelom. Nakon isteka garantnog roka, garantni rok električnog alata se ne produžava niti obnavlja. Rezervni delovi ili Električni alati koji su zamenjeni ostaju u posedu naše kompanije. Zahtevi, osim onih navedenih u ovom obrascu garancije, u vezi sa popravkom električnog alata ili njegovim oštećenjem ne važe. Na ovu garanciju se primenjuju grčki zakoni i odgovarajući propisi.

EN WARRANTY

This appliance is a quality product. It was designed in compliance with current technical standards and made carefully using normal, good quality materials. The warranty period is 24 months for non-professional use and 12 months for professional use and commences on the date of purchase, which can be verified by the receipt, invoice or delivery note. During this warranty period all functional errors, which, despite the careful treatment described in our operating manual, are verifiably due to material flaws, will be rectified by our after-sales service staff. The warranty takes the form that defective parts will be repaired or replaced with perfect parts free of charge at our discretion. Replaced parts will become our property. Repair work or the replacement of individual parts will not extend the warranty period nor will it result in a new warranty period being commenced for the appliance. No separate warranty period will commence for spare parts that may be used. We cannot offer a warranty for damage and defects on appliances or their parts caused by the use of excessive force, improper treatment and servicing. This also applies for failures to comply with the operating manual and the installation or spare and accessory parts that are not included in our range of products. In the event of interference with or modifications to the appliance by unauthorized persons, the warranty will be rendered void. Damages that are attributable to improper handling, over loading, or natural wear and tear are excluded from the guarantee. Damages caused by the manufacturer or by a material defect will be corrected at no charge by repair or by providing spare parts. The prerequisite is that the equipment is handed over assembled, and complete with the proof of sale and guarantee. For a guarantee claim, only use the original packaging. That way, we can guarantee quick and smooth guarantee processing. Please send us the appliances post-paid or request a Freeway sticker. Unfortunately we will be unable to accept appliances that are not postpaid. The warranty does not cover parts that are subject to natural wear and tear. If you wish to make a warranty claim, report faults or order spare parts or accessories, please contact the after-sales center: Subject to change without prior notice.

DE GARANTIE

Dieses Gerät ist ein Qualitätsprodukt. Es wurde gemäß den aktuellen technischen Standards entworfen und sorgfältig mit normalen, hochwertigen Materialien hergestellt. Die Garantiezeit beträgt 24 Monate bei nicht-professioneller Nutzung und 12 Monate bei professioneller Nutzung und beginnt mit dem Kaufdatum, was anhand von Quittung, Rechnung oder Lieferschein überprüft werden kann. Während dieser Garantiezeit werden alle Funktionsfehler, die trotz der in unserer Bedienungsanleitung beschriebenen sorgfältigen Behandlung nachweislich auf Materialfehler zurückzuführen sind, von unseren Kundendienstmitarbeitern behoben. Die Garantie besteht in der Form, dass defekte Teile nach unserem Ermessen kostenlos repariert oder durch einwandfreie Teile ersetzt werden. Ersetzte Teile werden unser Eigentum. Reparaturarbeiten oder der Austausch einzelner Teile verlängern die Garantiezeit nicht und führen nicht zu einer neuen Garantiezeit für das Gerät. Für eventuell verbrauchte Ersatzteile beginnt keine gesonderte Gewährleistungsfrist. Wir können keine Garantie für Schäden und Mängel an Geräten oder deren Teilen geben, die durch übermäßige Gewaltanwendung, unsachgemäße Behandlung und Wartung verursacht wurden. Dies gilt auch für die Nichtbeachtung der Bedienungsanleitung und der Montage- oder Ersatz- und Zubehörteile, die nicht in unserem Sortiment enthalten sind. Bei Eingriffen in die Änderung durch unbefugte Personen am Gerät erlischt die Garantie. Schäden, die auf unsachgemäße Behandlung, Überlastung oder natürliche Abnutzung zurückzuführen sind, sind von der Garantie ausgeschlossen. Schäden, die vom Hersteller oder durch einen Materialfehler verursacht werden, werden durch Reparatur oder Ersatzteillieferung kostenlos behoben. Voraussetzung ist, dass das Gerät zusammen mit dem Verkaufsbeleg und der Garantie zusammengebaut übergeben wird. Verwenden Sie für einen Garantieanspruch nur die Originalverpackung. Auf diese Weise können wir eine schnelle und reibungslose Garantieabwicklung gewährleisten. Bitte schicken Sie uns die Geräte im Nachhinein oder fordern Sie einen Freeway-Aufkleber an. Geräte, die nicht nachbezahlt werden, können wir leider nicht akzeptieren. Die Garantie erstreckt sich nicht auf Teile, die einem natürlichen Verschleiß unterliegen. Wenn Sie einen Garantieanspruch geltend machen, Fehler melden oder Ersatzteile oder Zubehör bestellen möchten, wenden Sie sich bitte an das Kundendienstcenter: Änderungen vorbehalten.

FR GARANTIE

Cet appareil est un produit de qualité. Il a été conçu conformément aux normes techniques en vigueur et fabriqué avec soin à l'aide de matériaux usuels et de qualité. La période de garantie est de 24 mois pour une utilisation non professionnelle et 12 mois pour une utilisation professionnelle et débute à la date d'achat. Elle peut être vérifiée sur le reçu, la facture ou le bon de livraison. Pendant cette période de garantie, toutes les erreurs de fonctionnement qui, malgré le traitement minutieux décrit dans notre manuel d'utilisation, sont dues à des défauts matériels, seront corrigées par notre service après-vente. La garantie prend la forme que les pièces défectueuses seront réparées ou remplacées par des pièces parfaites gratuitement à notre discrétion. Les pièces remplacées deviendront notre propriété. Les travaux de réparation ou le remplacement de pièces individuelles ne prolongeront pas la période de garantie et n'entraîneront pas le début d'une nouvelle période de garantie pour l'appareil. Aucune période de garantie séparée ne commencera pour les pièces de rechange susceptibles d'être utilisées. Nous ne pouvons pas offrir de garantie pour les dommages et les défauts des appareils ou de leurs pièces causés par l'utilisation d'une force excessive, un traitement ou un entretien inapproprié. Ceci s'applique également aux cas de non-respect du manuel d'utilisation et de l'installation ou des pièces détachées et accessoires non compris dans notre gamme de produits. En cas d'interférence avec des modifications apportées à l'appareil par des personnes non autorisées, la garantie sera annulée. Les dommages résultant d'une mauvaise manipulation, d'un chargement excessif ou d'une usure naturelle sont exclus de la garantie. Les dommages causés par le fabricant ou par un défaut matériel seront corrigés gratuitement par la réparation ou par la fourniture de pièces de rechange. La condition préalable est que le matériel soit remis assemblé et accompagné de la preuve de vente et de la garantie. Pour une demande de garantie, utilisez uniquement l'emballage d'origine. De cette manière, nous pouvons garantir un traitement rapide et sans heurts des garanties. S'il vous plaît envoyez-nous les appareils post-payés ou demandez un autocollant Freeway. Malheureusement, nous ne pourrions pas accepter les appareils non post-payés. La garantie ne couvre pas les pièces soumises à une usure naturelle. Si vous souhaitez faire une demande de garantie, signaler un défaut ou commander des pièces de rechange ou des accessoires, veuillez contacter le service après-vente: Sujet à modification sans préavis.

ESP GARANTÍA

Este aparato es un producto de calidad. Fue diseñado de acuerdo con las normas técnicas actuales y se hizo con cuidado utilizando materiales normales y de buena calidad. El período de garantía es de 24 meses para uso no profesional y de 12 meses para uso profesional y comienza en la fecha de compra, que puede verificarse mediante el recibo, la factura o la nota de entrega. Durante este período de garantía, todos los errores funcionales que, a pesar del tratamiento cuidadoso que se describen en nuestro manual de operación, son verificables debido a fallas materiales, serán corregidos por nuestro personal de servicio postventa. La garantía adquiere la forma de que las piezas defectuosas se repararán o reemplazarán con piezas perfectas de forma gratuita a nuestra discreción. Las partes reemplazadas se convertirán en nuestra propiedad. Los trabajos de reparación o el reemplazo de piezas individuales no ampliarán el período de garantía, no dará lugar a que se comience un nuevo período de garantía para el aparato. No se iniciará ningún período de garantía por separado para las piezas de repuesto que puedan ser utilizadas. No podemos ofrecer una garantía por daños y defectos en los aparatos o sus partes causados por el uso excesivo de la fuerza, el tratamiento y el servicio incorrectos. Esto también se aplica a las fallas en el cumplimiento del manual de operación y la instalación o piezas de repuesto y accesorios que no están incluidos en nuestra gama de productos. En caso de interferencia con modificaciones al aparato por parte de personas no autorizadas, la garantía quedará anulada. Los daños que son atribuibles a un manejo inadecuado, sobrecarga o desgaste natural están excluidos de la garantía. Los daños causados por el fabricante o por un defecto de material se corregirán sin costo alguno por reparación o proporcionando piezas de repuesto. El requisito previo es que el equipo se entregue ensamblado y se complete con el comprobante de venta y garantía. Para una reclamación de garantía, utilice únicamente el embalaje original. De esta manera, podemos garantizar un rápido y suave procesamiento de garantías. Por favor, envíenos los electrodomésticos con pospago o solicite una etiqueta de Freeway. Lamentablemente, no podremos aceptar aparatos que no sean de pospago. La garantía no cubre las piezas que están sujetas a desgaste natural. Si desea realizar un reclamo de garantía, informar fallas o solicitar piezas de repuesto o accesorios, comuníquese con el centro de postventa: Sujeto a cambios sin previo aviso.

IT

GARANZIA

Questo apparecchio è un prodotto di qualità. È stato progettato in conformità con le attuali norme tecniche e realizzato con attenzione utilizzando materiali normali di buona qualità. Il periodo di garanzia è di 24 mesi per uso non professionale e di 12 mesi per uso professionale e decorre dalla data di acquisto, che può essere verificata tramite ricevuta, fattura o bolla di consegna. Durante questo periodo di garanzia tutti gli errori funzionali, che, nonostante l'accurato trattamento descritto nel nostro manuale operativo, sono verificabili a causa di difetti dei materiali, verranno risolti dal nostro personale di assistenza post-vendita. La garanzia assume la forma che le parti difettose saranno riparate o sostituite con parti perfette gratuitamente a nostra discrezione. Le parti sostituite diventeranno di nostra proprietà. I lavori di riparazione o la sostituzione di singole parti non prolungheranno il periodo di garanzia, poiché non si verificherà un nuovo periodo di garanzia per l'apparecchio. Non inizierà alcun periodo di garanzia separato per i pezzi di ricambio che possono essere utilizzati. Non possiamo offrire una garanzia per danni e difetti su apparecchi o loro parti causati dall'uso di forza eccessiva, trattamento e manutenzione inadeguati. Ciò vale anche per il mancato rispetto del manuale operativo e delle parti di installazione o di ricambio e accessori non inclusi nella nostra gamma di prodotti. In caso di interferenza con modifiche che all'apparecchio da parte di persone non autorizzate, la garanzia sarà invalidata. Sono esclusi dalla garanzia i danni riconducibili a uso improprio, sovraccarico o usura naturale. I danni causati dal prodotto o da un difetto o materiale verranno corretti gratuitamente mediante riparazione o fornitura di pezzi di ricambio. Il presupposto è che l'attrezzatura sia consegnata assemblata e completa con la prova di vendita e garanzia. Per una richiesta di garanzia, utilizzare solo la confezione originale. In questo modo, possiamo garantirvi un'elaborazione della garanzia rapida e agevole. Vi preghiamo di inviarci gli elettrodomestici post-pagamento o richiedere un adesivo Freeway. Purtroppo non saremo in grado di accettare apparecchi che non sono postpagati. La garanzia non copre parti soggette a usura naturale. Se si desidera presentare una richiesta di intervento in garanzia, segnalare guasti o ordinare pezzi di ricambio o accessori, contattare il centro assistenza: soggetto a modifiche senza preavviso.

SLO

GARANCIJA

Ta aprava je kakovosten izdelek. Zasnovan je bil v skladu z veljavnimi tehničnimi standardi in skrbno izdelan z običajnimi, kakovostnimi materiali. Garancijsko obdobje je 24 mesecev za neprofesionalno uporabo in 12 mesecev za profesionalno uporabo in se začne na dan nakupa, ki ga je mogoče preveriti s potrdilom o prejemu, računom ali dobavnico. V času garancijskega roka bodo vse funkcionalne napake, ki so kljub skrbni obdelavi, opisani v naših navodilih za uporabo, preverljive zaradi materialnih napak, odpravile naše servisno osebje. Garancija prevzame obliko, da bodo okvarjeni deli po lastni presoji brezplačno popravljeni ali zamenjani z brezhibnimi deli. Zamenjani deli bodo postali naša last. Popravila ali zamenjava posameznih delov ne podaljšujejo garancijskega roka, dokler ne začne veljati nova garancijska doba za napravo. Za rezervne dele, ki se lahko pojavijo, se ne bo začelo ločeno garancijsko obdobje. Ne moremo ponuditi garancije za poškodbe in napake na napravah ali njihovih delih zaradi uporabe prekomerne sile, nepravilne obdelave in servisiranja. To velja tudi za neupoštevanje navodil za uporabo in namestitve ali rezervnih delov in dodatkov, ki niso vključeni v našo paleto izdelkov. V primeru motenj v napravi s strani nepooblaščenih oseb, se garancija razveljavi. Poškodbe, ki so posledica nepravilnega ravnanja, obremenitve ali naravne obrabe, so izključene iz garancije. Poškodbe, ki jih povzroči proizvajalec ali materialna napaka, se bodo popravile ali popravile z zagotavljanjem rezervnih delov. Predpogoj je, da se oprema preda sestavljena in skupaj z dokazilom o prodaji in garancijo. Za garancijski zahtevek uporabite samo originalno embalažo. Tako lahko zagotovimo hitro in gladko obdelavo garancij. Prosimo, pošljite nam naprave po plačilu ali zahtevajte nalepko za Freeway. Na žalost ne bomo mogli sprejeti naprav, ki niso postpaid. Garancija ne zajema delov, ki so predmet naravne obrabe. Če želite vložiti zahtevek za garancijo, prijaviti napake ali naročiti nadomestne dele ali dodatno opremo, se obrnite na spodnji prodajni center: Pridržujemo si pravico do sprememb brez predhodnega obvestila.

MLT

GARANYIJA

Dan l-apparat huwa prodott ta 'kwalità. Kienet imfassla f'konformità mal-istandards tekniċi attwali u saret b'attenzjoni bl-użu ta 'materjali normali u ta' kwalità tajba. Il-perjodu tal-garanzija huwa ta '24 xahar għal użu mhux professjonali u 12-il xahar għall-użu professjonali u jibda fid-data tax-xiri, li jista' jiġi vverifikat bir-riċevuta, fattura jew nota tal-kunsinna. Matul dan il-perjodu ta 'garanzija l-iżbalji funzjonali kollha, li, minkejja t-trattament bir-reqq deskritt fil-manwal operattiv tagħna, huma verifikabbli minħabba difetti materjali, se jiġu kkoreġuti mill-istaff tagħna tas-servizz ta' wara l-bejgħ. Il-garanzija tiegħu l-forma li partijiet difettużi se jissewewew jew jiġu sostitwiti bi partijiet perfetti bla ħlas fid-diskreżjoni tagħna. Partijiet mibdula jsiru proprjetà tagħna. Ix-xogħol ta 'tiswija jew is-sostituzzjoni ta' partijiet individwali ma jestendux il-perjodu ta 'garanzija mhux se jirriżulta f'li jibda perjodu ġdid ta' garanzija għall-apparat. Ma jibda l-ebda perjodu ta 'garanzija separat għal spare parts li jistgħu jiġu ted. Ma nistgħu noffru garanzija għal ħsara u difetti fuq l-apparat jew il-partijiet tagħhom ikkawżati mill-użu ta 'forza eċċessiva, trattament mhux xieraq u manutenzjoni. Dan japplika wkoll għal nuqqasijiet ta 'konformità mal-manwal tat-thaddim u l-installazzjoni jew partijiet ta' rikambju u aċċessorji li mhumiex inkluzi fil-firxa ta 'prodotti tagħna. Fil-każ ta 'interferenza ma' modifiki fl-apparat minn persuni mhux awtorizzati, il-garanzija ssir nulla. Ħsarat li huma attribwiti għal immaniġġjar hażin, tagħbija żejda, jew xedd u kedd naturali huma esklużi mill-garanzija. Danni kkawżati mill-manifattur jew minn difett materjali se jiġu kkoreġuti mingħajr ħlas permezz ta 'tiswija jew billi jiġu pprovduti spare parts. Il-pre-rekwiżit huwa li t-tagħmir jiġi mgħoddi immuntat, u komplut bil-prova tal-bejgħ u l-garanzija. Għal talba ta 'garanzija, uża biss l-imballaġġ originali. B'dan il-mod, nistgħu niggarantixxu proċessar ta 'garanzija malajr u bla xkiel. Jekk jogħġbok ibgħatilna l-appliances post-paid jew itlob stiker tal-Freeway. Sfortunatament ma nkunux nistgħu naċċettaw apparat li ma jithallasx wara. Il-garanzija ma tkoprix partijiet li huma soġġetti għal ilbies u kedd naturali. Jekk tixtieq tagħmel talba għall-garanzija, irrapporta ħsarat jew tordna spare parts jew aċċessorji, jekk jogħġbok ikkuntatt ja ċ-ċentru ta 'wara l-bejgħ: Soġġett għal bidla mingħajr avviż minn qabel.

SK

ZÁRUKA

Tento spotřebič je kvalitní výrobek. Bol navrhnutý v súlade s platnými technickými normami a opatrne používal bežné a kvalitné materiály. Záručná doba je 24 mesiacov na neprofesionálne použitie a 12 mesiacov na profesionálne použitie a začína plynúť dátumom nákupu, ktorý je možné overiť potvrdením, faktúrou alebo dodacím listom. Počas tejto záručnej lehoty všetky funkčné chyby, ktoré napriek starostlivej úprave popísanej v našom návode na obsluhu sú overiteľné z dôvodu materiálnych nedostatkov, opravia naši pracovníci popredajného servisu. Záruka má formu, že vadné časti budú opravené alebo nahradené perfektnými dielmi bezplatne podľa nášho uváženia. Nahradené diely sa stanú našimi vlastnosťami. Opravné práce alebo výmena jednotlivých dielov predĺženie záručnej lehoty nevedie k vzniku novej záručnej lehoty pre spotrebič. Za náhradné diely, ktoré môžu byť dodané, sa nezačína samostatná záručná lehota. Nemôžeme ponúknuť záruku na poškodenie a poškodenie spotrebičov alebo ich častí spôsobené nadmernou silou, nesprávnou obsluhou a servisom. Platí to aj pre poruchy v súlade s návodom na obsluhu a inštaláciou alebo náhradnými dielmi a príslušenstvom, ktoré nie sú súčasťou našej ponuky. V prípade zásahu do modifikácie spotrebiča neoprávnenými osobami sa záruka stane neplatnou. Škody, ktoré sú spôsobené nesprávnou manipuláciou, nadmerným zaťažením alebo prirodzeným opotrebovaním, sú z záruky vylúčené. Škody spôsobené výrobcom alebo chybou materiálu budú opravené bezplatne opravou alebo poskytnutím náhradných dielov. Predpokladom je, že zariadenie je odovzdané a kompletné s dokladom o predaji a zárukou. Pokiaľ ide o nárok na záruku, použite iba pôvodný obal. Týmto spôsobom môžeme zaručiť rýchle a plynulé spracovanie záruky. Pošlite nám, prosím, spotrebiče, ktoré ste už zaplatili, alebo požiadajte o nálepku Freeway. Bohužiaľ nebudeme môcť prijať zariadenia, ktoré nie sú vyplatené. Záruka sa nevzťahuje na časti, ktoré sú vystavené prirodzenému opotrebovaniu. Ak chcete požiadať o záruku, oznámiť chyby alebo objednať náhradné diely alebo príslušenstvo, obráťte sa na nižšie uvedené stredisko popredajného servisu: Podliehajú zmenám bez predchádzajúceho upozornenia.

BG ГАРАНЦИЯ

Този уред е качествен продукт. Той е проектиран в съответствие с действащите технически стандарти и е направен внимателно при използване на нормални, качествени материали. Гаранционният срок е 24 месеца за непрофесионално ползване и 12 месеца за професионална употреба и започва да тече от датата на покупката, която може да бъде потвърдена с квитанция, фактура или документ за доставка. По време на този гаранционен период всички функционални грешки, които, въпреки внимателното третиране, описано в нашето ръководство за експлоатация, са проверими поради материални недостатъци, ще бъдат отстранени от нашия сервизен персонал. Гаранцията приема формата, в която дефектните части ще бъдат ремонтирани или заменени с перфектни части безплатно по наше усмотрение. Подменените части ще станат наша собственост. Ремонтните работи или подмяната на отделни части няма да удължат гаранционния срок, без това да доведе до започване на нов гаранционен период за уреда. За резервни части, които могат да бъдат поставени, няма да започне отделен гаранционен срок. Не можем да предложим гаранция за повреди и дефекти на уредите или техните части, причинени от използването на прекомерна сила, неправилно третиране и обслужване. Това важи и за неспазване на ръководството за експлоатация и инсталацията, както и резервни и допълнителни части, които не са включени в нашата гама от продукти. В случай на намеса в модификации на уреда от неупълномощени лица, гаранцията ще бъде премахната. Щети, които се дължат на неправилно боравене, натоварване или естествено износване, са изключени от гаранцията. Щети, причинени от производителя или от дефект на материала, ще бъдат поправени без заплащане чрез ремонт или чрез предоставяне на резервни части. Предпоставка е оборудването да се съблява и да се допълни с доказателство за продажба и гаранция. За гаранционна претенция използвайте само оригиналната опаковка. По този начин можем да гарантираме бърза и гладка обработка на гаранциите. Моля, изпратете ни уредите след плащане или заявете стикер на Freeway. За съжаление няма да можем да приемем уреди, които не са с абонамент. Гаранцията не покрива части, които са обект на естествено износване. Ако желаете да направите гаранционна претенция, да съобщите за неизправности или да поръчате резервни части или аксесоари, моля свържете се с центъра за поддръжка: Подлежи на промяна без предизвестие.

RO GARANȚIE

Acest aparat este un produs de calitate. A fost proiectat în conformitate cu standardele tehnice actuale și a făcut cu atenție materiale normale, de bună calitate. Perioada de garanție este de 24 de luni pentru uz neprofesionist și de 12 luni pentru uz profesional și începe la data cumpărării, care poate fi verificată prin chitanță, factură sau buletin de livrare. În timpul acestei perioade de garanție, toate erorile funcționale, care, în ciuda tratamentului atent descris în manualul nostru de utilizare, sunt verifiabile din cauza defectelor materiale, vor fi rectificate -cate de personalul nostru de service post-vânzare. Garanția ia forma faptului că piesele defecte vor fi reparate sau înlocuite cu piese perfecte gratuit, la discreția noastră. Piesele înlocuite vor deveni proprietatea noastră. Lucrările de reparații sau înlocuirea pieselor individuale nu vor prelunge perioada de garanție, deoarece nu vor duce la începerea unei noi perioade de garanție pentru aparat. Nu se va începe nici o perioadă de garanție separată pentru piesele de schimb care pot fi incluse. Nu putem oferi o garanție pentru defecțiunile și defectele aparatelor sau ale pieselor acestora cauzate de utilizarea forței excesive, tratarea necorespunzătoare și întreținerea. Acest lucru se aplică și în caz de nerespectare a manualului de utilizare și a pieselor de instalare sau de rezervă și accesoriilor care nu sunt incluse în gama noastră de produse. În caz de interferență cu modificările carele aduse aparatului de către persoane neautorizate, garanția va fi anulată. Daunele care pot fi atribuite manipulării necorespunzătoare, supraîncălzirii sau uzurii naturale sunt excluse din garanție. Deteriorările cauzate de producător sau de un defect material vor fi corectate gratuit, prin reparații sau prin furnizarea de piese de schimb. Condiția prealabilă este ca echipamentul să fi predat în asamblare și să fi completat cu dovada vânzării și a garanției. Pentru o cerere de garanție, utilizați numai ambalajul original. În acest fel, putem garanta procesarea rapidă și fără probleme a garanției. Trimiteți-ne aparatul post-plătiți sau solicitați un autocolant Freeway. Din păcate, nu vom putea accepta dispozitivul ve care nu sunt plătiți postpaid. Garanția nu acoperă piese care sunt supuse uzurii naturale. Dacă doriți să solicitați o garanție, să semnalați defecțiuni sau să comandați piese de schimb sau accesorii, vă rugăm să contactați centrul de asistență tehnică: Pot fi modificate fără o notificare prealabilă.

NMK GARANCIJA

Oвој уред е квалитетен производ. Дизајниран е во согласност со тековните технички стандарди и направен е внимателно со употреба на нормални, квалитетни материјали. Гарантниот период е 24 месеци за непрофесионална употреба и 12 месеци за професионална употреба и започнува на датумот на купување, што може да се потврди со потврда, фактура или испратница. За време на овој гарантен период, сите функционални грешки, кои, и покрај внимателниот третман опишан во нашето упатство за работа, се проверливи поради материјални недостатоци, ќе бидат поправени од нашиот персонал по продажбата. Гаранцијата има форма дека неисправните делови ќе бидат поправени или заменети со совршени делови бесплатно по наша дискреција. Заменетите делови ќе станат наша сопственост. Работата за поправка или замената на поединечни делови нема да го продолжи гарантниот период и нема да резултира со започнување на нов гарантен период за апаратот. Нема да започне посебен гарантен период за резервните делови што може да се тераат. Не можеме да понудиме гаранција за оштетувања и дефекти на апаратите или нивните делови предизвикани од употреба на прекумерна сила, несоодветен третман и сервисирање. Ова исто така важи и за неусогласеност со упатството за работа и инсталацијата или резервните и дополнителните делови кои не се вклучени во нашата палета на производи. Во случај на мешање на модификации на апаратот од страна на неовластени лица, гаранцијата ќе се поништи. Штетите што се припишуваат на неправилно ракување, прекумерно оптоварување или природно абеење се исклучени од гаранцијата. Штетите предизвикани од производителот или од материјален дефект ќе се коригираат бесплатно со поправка или со обезбедување резервни делови. Предуслов е опремата да биде предадена склопена, и комплетна со доказ за продажба и гаранција. За гаранција, користете го само оригиналното пакување. На тој начин, можеме да гарантираме брза и непречена обработка на гаранциите. Ве молиме испратете ни ги апаратите пост-пејд или побарајте налепница за автопат. За жал, нема да можеме да прифатиме апарати што не се постпејд. Гаранцијата не опфаќа делови кои се предмет на природно абеење и кинење. Доколку сакате да поднесете барање за гаранција, да пријавите дефекти или да нарачате резервни делови или додатоци, ве молиме контактирајте го постпродажниот центар: Може да се промени без претходна најава.

HUN GARANCIA

Ez a készülék minőségi termék. Úgy tervezték, hogy megfeleljen a jelenlegi műszaki szabványoknak, és gondosan, normál, jó minőségű anyagokkal készült. A jótállási idő nem professzionális használat esetén 24 hónap, szakmai használat esetén 12 hónap, és a vásárlás napján kezdődik, amelyet a kézszévtel, a számla vagy a kézbesítési értesítés igazolhat. A garanciaidő alatt minden olyan funkcionális hiba, amely az üzemeltetési utasításunkban leírt gondos kezelés ellenére bizonyíthatóan az anyagi hibák miatt következik be, a vevőszolgálatunk javítja. A garancia olyan formája, hogy a hibás alkatrészek javítása vagy cseréje a tökéletes alkatrészekkel ingyenes. A cserélt részek tulajdonunk lesz. A javítási munkák vagy az egyes részek cseréje nem hosszabbítja meg a jótállási időszakot, és nem eredményez új garanciaidő megkezdését a készülék számára. Nincs külön garanciaidő a pótalkatrészek esetén. Nem nyújtunk garanciát a készülékek vagy alkatrészeik károsodására és hibáira a túlzott erő, a helytelen kezelés és a karbantartás miatt. Ez vonatkozik az üzemeltetési utasítás és a telepítés, illetve a tartalék és tartozék alkatrészeinek meg nem felelésére is, amelyek nem tartoznak a termékínálatunkba. Abban az esetben, ha a készülék jogosulatlan személy általi módosításai zavarnak, a garancia érvényét veszti. A nem megfelelő kezelés, a terhelés vagy a természetes kopás okozta károk nem tartoznak a garancia hatálya alá. A gyártó vagy az anyaghiba által okozott károkat a javítás vagy a pótalkatrészek beszerzése nélkül kijavítják. Az előfeltétel az, hogy a berendezést összeszerelték, és az értékesítés és a garancia igazolásával kiegészüljön. A garancia igényléséhez csak az eredeti csomagolást használja. Így garantálhatjuk a gyors és zökkenőmentes garanciafeldolgozást. Kérjük, küldje el nekünk a készüléket utólag fizetett vagy kérjen Freeway matricát. Sajnos nem tudjuk elfogadni a nem utólag fizetett készülékeket. A garancia nem terjed ki a természetes kopásnak kitett alkatrészekre. Ha garanciális igényt kíván nyújtani, hibákat jelenteni vagy pótalkatrészeket vagy tartozékokat rendelni, kérjük, vegye fel a kapcsolatot az alábbi értékesítési központtal: Előzetes értesítés nélkül változhat.

POL GWARANCJA

To urządzenie jest produktem wysokiej jakości. Został zaprojektowany zgodnie z aktualnymi standardami technicznymi i wykonany starannie przy użyciu zwykłych, dobrej jakości materiałów. Okres gwarancji wynosi 24 miesiące w przypadku użytku nieprofesjonalnego i 12 miesięcy w przypadku użytku profesjonalnego i rozpoczyna się w dniu zakupu, który można zweryfikować za pomocą paragonu, faktury lub dowodu dostawy. W okresie gwarancji wszystkie błędy funkcjonalne, które pomimo starannego traktowania opisanego w naszej instrukcji obsługi, są weryfikowalne przez wady materiałowe, zostaną naprawione przez nasz personel obsługi posprzedażnej. Gwarancja ma formę, w której wadliwe części zostaną naprawione lub wymienione na części zamiennie bezpłatnie według naszego uznania. Wymienione części staną się naszą własnością. Naprawa lub wymiana pojedynczych części nie przedłuży okresu gwarancji, nie spowoduje to rozpoczęcia nowego okresu gwarancyjnego dla urządzenia. Nie rozpocznie się oddzielny okres gwarancji na części zamiennie, które mogą być używane. Nie możemy zaoferować gwarancji na uszkodzenia i usterki urządzeń lub ich części spowodowane użyciem nadmiernej siły, niewłaściwego traktowania i serwisowania. Dotyczy to również nieprzestrzegania instrukcji obsługi i instalacji lub części zamiennych i akcesoriów, które nie są zawarte w naszej ofercie produktów. W przypadku ingerencji w modyfikacje urządzenia przez osoby nieuprawnione, gwarancja zostanie unieważniona. Szkody, które można przypisać niewłaściwej obsłudze, nadmiernemu obciążeniu lub naturalnemu zużyciu, są wyłączone z gwarancji. Uszkodzenia spowodowane przez producenta lub wadę materiałową zostaną naprawione bezpłatnie przez naprawę lub przez dostarczenie części zamiennych. Warunkiem wstępnym jest przekazanie sprzętu w komplecie wraz z dowodem sprzedaży i gwarancją. W przypadku reklamacji należy używać tylko oryginalnego opakowania. W ten sposób możemy zagwarantować szybkie i płynne przetwarzanie gwarancji. Prześlij nam urządzenia post-paid lub zamów naklejkę na autostradę. Niestety nie będziemy mogli akceptować urządzeń, które nie są opłacane z dołu. Gwarancja nie obejmuje części ulegających naturalnemu zużyciu. Jeśli chcesz zgłosić roszczenie gwarancyjne, zgłośić usterki lub zamówić części zamiennie lub akcesoria, skontaktuj się z następującym centrum obsługi posprzedażnej: Zastrzega się możliwość zmian bez uprzedzenia.

ALB GARANCIA

Kjo pajisje është një produkt cilësor. Washtë hartuar në përputhje me standardet aktuale teknike dhe është bërë me kujdes duke përdorur materiale normale, me cilësi të mirë. Periudha e garancisë është 24 muaj për përdorim jo profesional dhe 12 muaj për përdorim profesional dhe fillon në datën e blerjes, e cila mund të vërtetohet me faturën, faturën ose dorëzimin. Gjatë kësaj periudhe garancie, të gjitha gabimet funksionale, të cilat, përkundër trajtimit të kujdesshëm të përkthuar në manualin tonë të funksionimit, janë verifikueshëm për shkak të metave të materialit, do të korrigjohen nga stafi ynë i shërbimit pas shitjes. Garancia merr formën që pjesët e dëmtuara do të riparohen ose zëvendësohen me pjesët e përsosura falas, sipas gjykimit tonë. Pjesët e zëvendësuara do të bëhen pronë jonë. Puna e riparimit ose zëvendësimit i pjesëve individuale nuk do të zgjasë periudhën e garancisë, por nuk do të rezultojë në fillimin e një periudhe të re garancie për pajisjen. Asnjë periudhë e veçantë e garancisë nuk do të fillojë për pjesët rezervë që mund të merren. Në nuk mund të ofrojmë një garanci për dëmtimin dhe defektet e pajisjeve ose pjesëve të tyre të shkaktuara nga përdorimi i forcës së tepërt, trajtimi dhe shërbimi i pahijshëm. Kjo gjithashtu vlen për dështimet në përputhje me manualin e funksionimit dhe instalimin ose pjesët rezervë dhe akcesorë që nuk përfshihen në gamën tonë të produkteve. Në rast ndërhyrje në modifikimet e pajisjes nga persona të paautorizuar, garancia do të hiqet. Dëmet që mund t'i atribuohen trajtimit të pahijshëm, ngarkimit të tepërt, ose konsumit natyror, përjashtohen nga garancia. Dëmet e shkaktuara nga prodhuesi ose nga një defekt i materialit do të korrigjohen pa pagesë me riparim ose duke siguruar pjesë këmbimi. Parakushti është që pajisjet të dorëzohen të montuara, dhe të kompletuara me provën e shitjes dhe garancisë. Për një kërkesë garancie, përdorni vetëm paketimin origjinal. Në atë mënyrë, ne mund të garantojmë përpunim të shpejtë dhe të qetë të garancisë. Ju lutemi na dërgoni pajisjet me postë të paguar ose kërkoni një afishe autostradë. Për fat të keq, ne nuk do të jemi në gjendje të pranohim pajisje që nuk janë me kontratë. Garancia nuk përfshin pjesë që i nënshtrohen konsumit natyror. Nëse dëshironi të bëni një kërkesë për garanci, të raportoni gabime ose të porosisni pjesë rezervë ose pajisje, ju lutemi kontaktoni qendrën pas shitjes: Subjekti për të ndryshuar pa njëfëmijë paraprak.

HR JAMSTVO

Ovaj je uređaj kvalitetan proizvod. Dizajniran je u skladu s trenutnim tehničkim standardima i izrađen je pažljivo koristeći normalne, kvalitetne materijale. Garancijsko razdoblje je 24 mjeseca za neprofesionalnu upotrebu i 12 mjeseci za profesionalnu uporabu i započinje datumom kupnje, što se može potvrditi potvrdom primitka, računa ili dostavnice. Tijekom ovog jamstvenog razdoblja sve će funkcionalne pogreške, koje su unatoč pažljivom postupanju opisanom u našem priručniku za upotrebu provjerljivo zbog materijalnih nedostataka, otkloniti od strane našeg servisnog osoblja. Jamstvo ima oblik da će se oštećeni dijelovi besplatno popraviti ili zamijeniti savršenim dijelovima, po našem nahođenju. Zamijenjeni dijelovi postat će naše vlasništvo. Popravak ili zamjena pojedinih dijelova neće produžiti jamstveno razdoblje, jer neće rezultirati novim jamstvenim rokom za uređaj. Neće započeti zasebni jamstveni rok za rezervne dijelove koji se mogu trošiti. Ne možemo pružiti jamstvo za oštećenja i oštećenja uređaja ili njihovih dijelova uzrokovanih prekomjernom silom, nepravilnim postupanjem i servisiranjem. To se također odnosi i na neusklađivanje s uputama za uporabu i instalacijskim ili rezervnim i pomoćnim dijelovima koji nisu uključeni u naš asortiman proizvoda. U slučaju ometanja neovlaštenih osoba na izmjenama uređaja, jamstvo će se poništiti. Oštećenja koja se mogu pripisati nepravilnom rukovanju, preopterećenju ili prirodnom habanju isključena su iz jamstva. Štete uzrokovane proizvođačem ili oštećenjem materijala ispravit će se besplatnim popravkom ili osiguravanjem rezervnih dijelova. Predviđet je da se oprema preda u sastavu, zajedno s dokazom o prodaji i garancijom. Za garancijski zahtjev koristite samo originalno pakiranje. Na taj način možemo jamčiti brzu i glatku obradu jamstava. Pošaljite nam uređaje naknadno ili zatražite naljepnicu autoputa. Nažalost, nećemo biti u mogućnosti prihvatiti uređaje koji nisu pretplaćeni. Jamstvo ne obuhvaća dijelove koji su podložni prirodnom habanju. Ako želite podnijeti zahtjev za jamstvom, prijaviti kvarove ili naručiti rezervne dijelove ili pribor, molimo kontakti rajte dolje prodajni centar: Podložno promjenama bez prethodne najave.

SRB GARANCIJA

Ovaj aparat je kvalitetan proizvod. Dizajniran je u skladu sa trenutnim tehničkim standardima i rađen pažljivo koristeći normalne, kvalitetne materijale. Garantni rok je 24 meseca Garantni rok je 24 meseca za neprofesionalno korišćenje i 12 meseci za profesionalnu upotrebu i započinje danom kupovine, što se može verifikovati primaњem, fakturom ili otpremnicom. Tokom ovog garantnog perioda, sve funkcionalne greške koje se, uprkos pažljivom postupanju opisanom u našem uputstvu za upotrebu, verovatno mogu proveriti zbog materijalnih nedostataka, otkloniће od strane нашег сервисног особља. Garancija dobiја oblik da ће se неисправni delovi popraviti или заменити savršenim delovima besplatno po našem nahođenju. Zameњeni delovi postaће naše vlasništvo. Popravci или замена pojedinih delova neће продужити garantni rok jer neће резултирати novim garantciјским rokom за апарат. Neће почети посебан garantni rok за резервне делове који се могу напунити. Не можемо пружити гаранцију за оштећења и оштећења уређаја или њихових делова насталих прекомерном силом, неправилним третманом и сервисирањем. Ово се такође односи и на непоштовање упутства за употребу и инсталационих или резервних и помоћних делова који нису обухваћени нашим асортиманом производа. У случају ометања модификација уређаја од стране неовлашћених особа, гаранција ће се поништити. Оштећења која се могу приписати неправилном руковању, преоптерећењу или природном хабању су искључена из гаранције. Оштећења настала од стране произвођача или оштећења материјала исправљаће се или поправљањем резервних делова бесплатно. Предуслов је да се опрема преда у саставу, заједно са доказом о продаји и гаранцијом. За захтев о гаранцији користите само оригинално паковање. На тај начин можемо гарантовати брзу и глатку обраду гаранција. Пошаљите нам уређаје накнадно или затражите налепницу са аутопута. Нажалост, нећемо бити у могућности да прихватимо уређаје који нису плаћени. Гаранција не покрива делове који су изложени природном хабању. Ако желите да поднесете захтев за гаранцијом, пријавите грешке или наручите резервне делове или додатну опрему, молимо контактирајте доњи продајни центар: Могу се променити без претходне најаве.

