

FFGROUP®



GCS 325T PLUS

EN

ORIGINAL INSTRUCTIONS

FR

NOTICE ORIGINALE

IT

ISTRUZIONI ORIGINALI

EL

ΠΡΩΤΟΤΥΠΟ ΟΔΗΓΙΩΝ ΧΡΗΣΗΣ

SR

ORIGINALNO UPUTSTVO ZA RAD

HR

ORIGINALNE UPUTE ZA RAD

RO

INSTRUCȚIUNI DE FOLOSIRE ORIGINALE

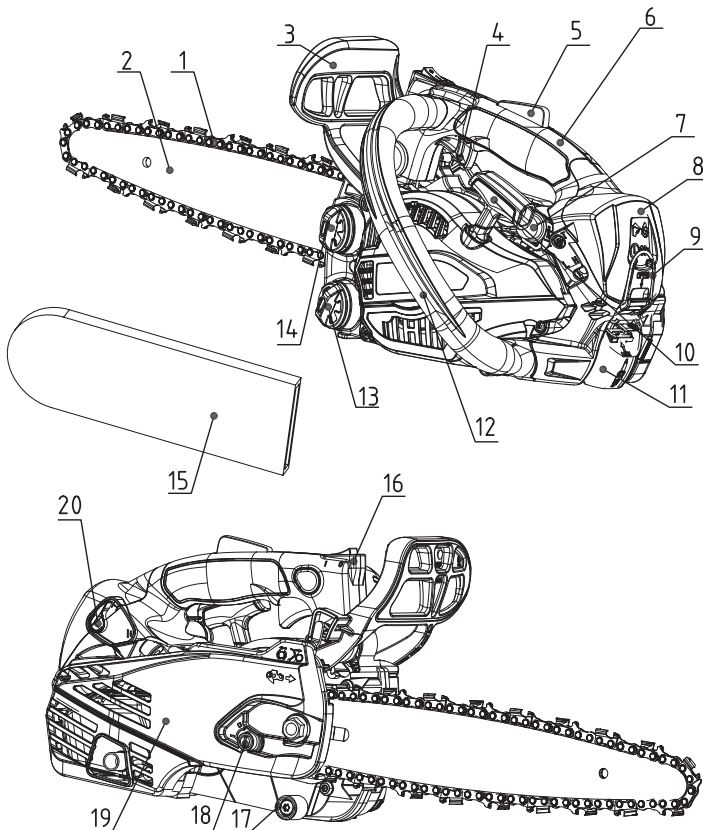
HU

EREDETI UTASÍTÁSOK

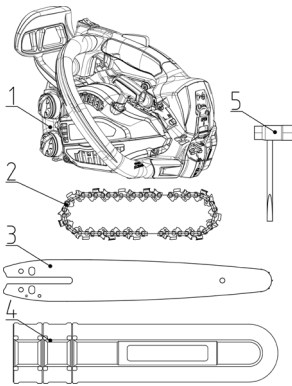
LT

ORIGINALIOS INSTRUKCIJOS

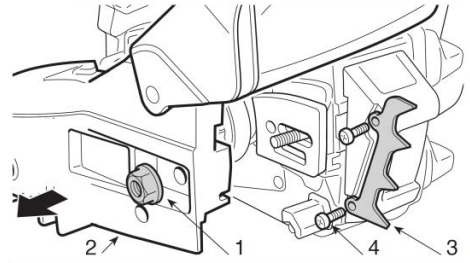
EXPLANATION OF SYMBOLS / EXPLICATION DES SYMBOLES / SPIEGAZIONE DEI SIMBOLI / ΕΠΕΞΗΓΗΣΗ ΣΥΜΒΟΛΩΝ / OBJAŠNJE- NJE SIMBOLA / OBJAŠNENJE SIMBOLA / EXPLICAREA SIMBOLURILOR / SZIMBÓLUMOK JELENTÉSE / SIMBOLIŲ PAAIŠKINIMAS		8
EN	TOP HANDLE PETROL CHAINSAW	12
FR	TRONÇONNEUSE À ESSENCE	17
IT	MOTOSEGA A BENZINA	23
EL	ΑΛΥΣΟΠΡΙΟΝΟ ΚΛΑΔΕΥΤΙΚΟ ΒΕΝΖΙΝΗΣ	29
SR	BENZINSKA MOTORNA TESTERA	35
HR	BENZINSKA MOTORNA PILA	40
RO	MOTOFIERASTRAU PE BENZINA	45
HU	FELSŐ FOGANTYÚ BENZINES LÁNCFŰRÉSZ	51
LT	VIRŠUTINĖS RANKENOS BENZININIS PJŪKLAS	57
CE		63



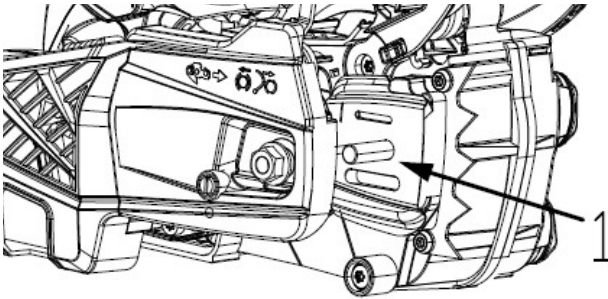
1



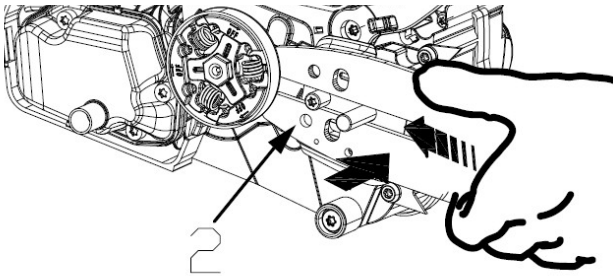
2



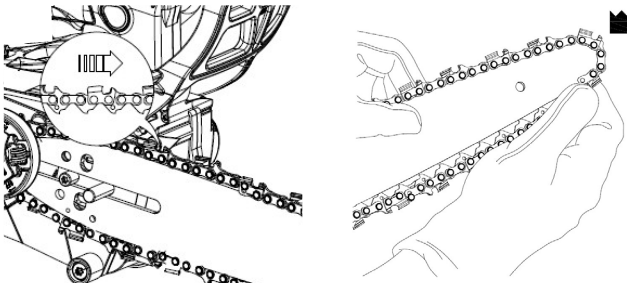
3

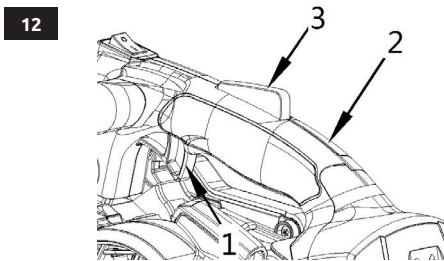
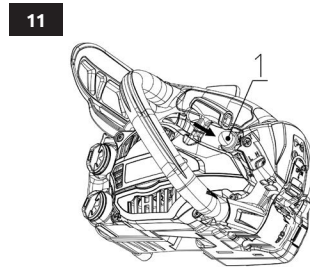
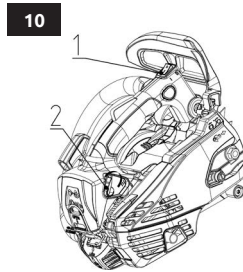
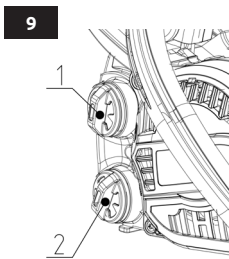
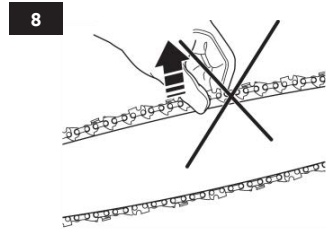
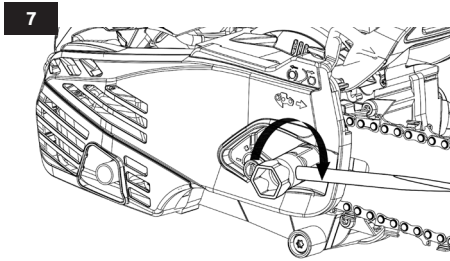
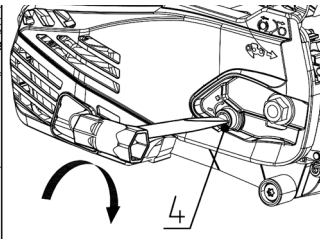
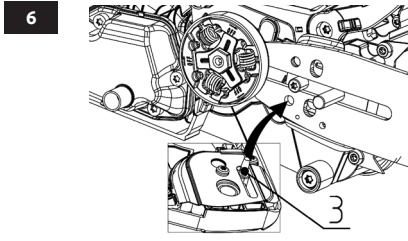


4

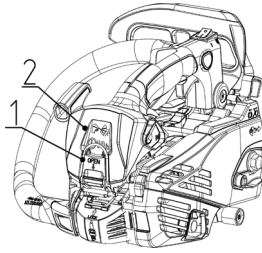


5

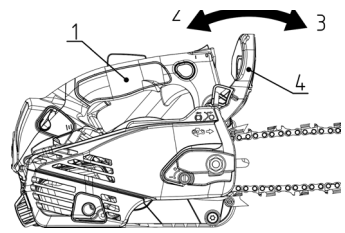




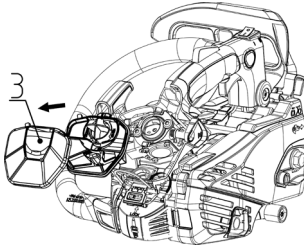
15



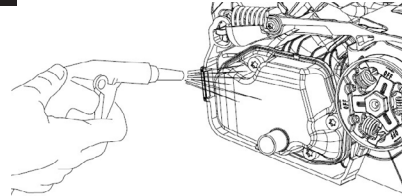
16



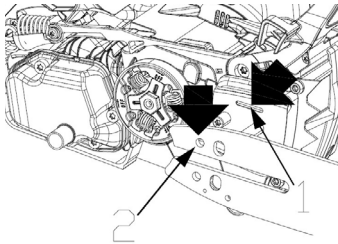
17



18



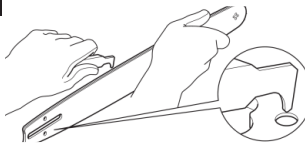
19



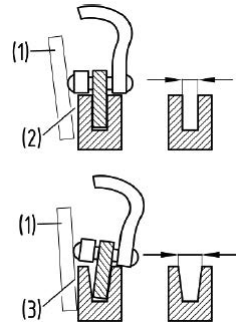
20



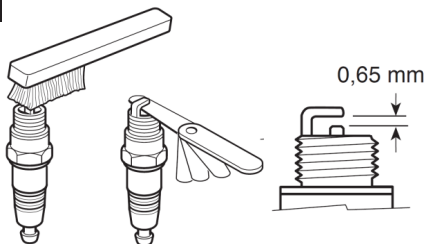
21



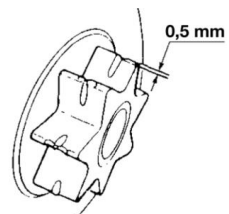
22



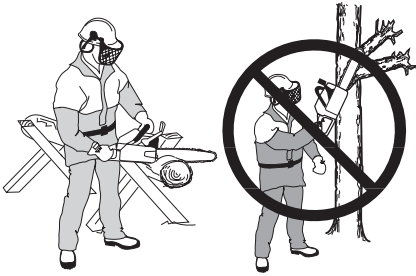
23



24



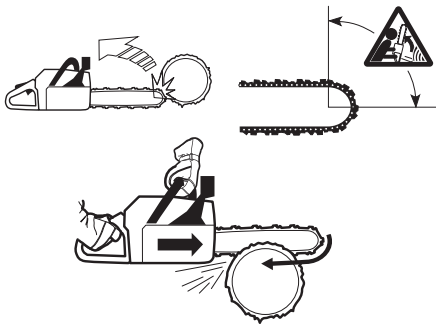
25



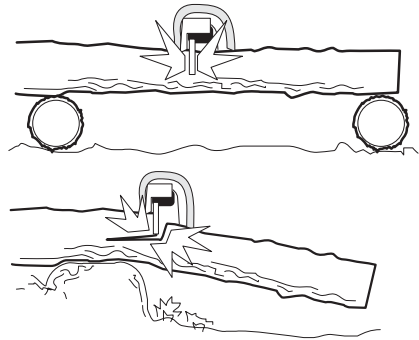
26



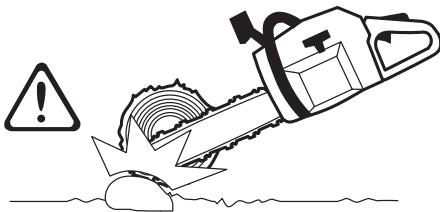
27



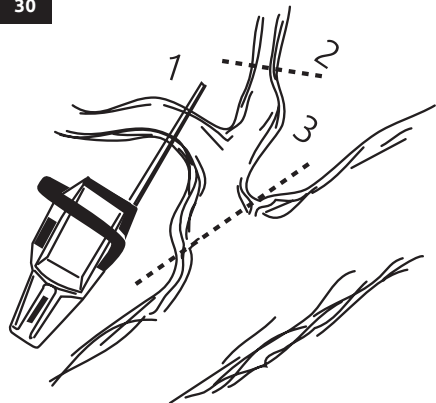
28



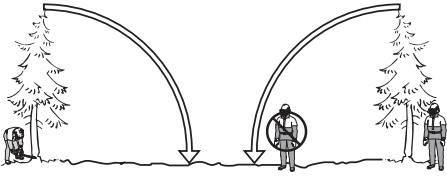
29



30



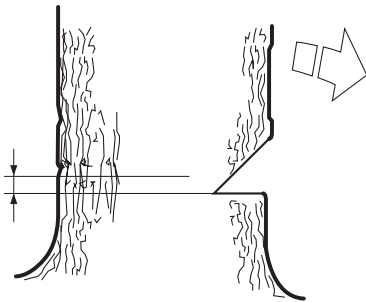
31



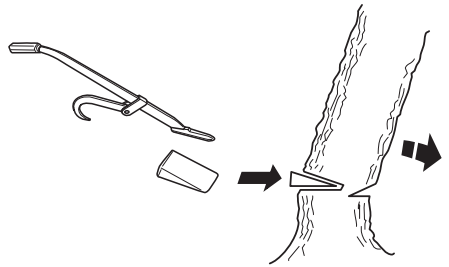
32



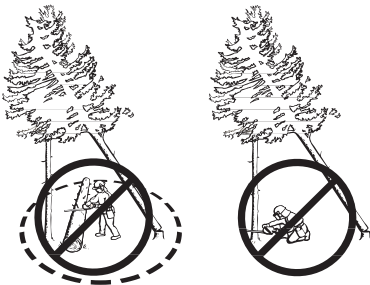
33



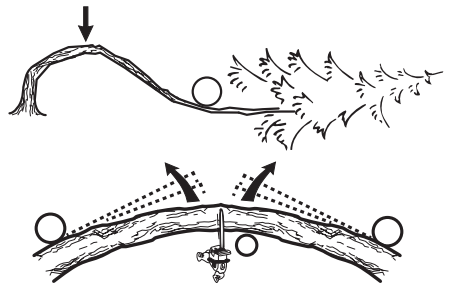
34













35














36



	ENGLISH	FRANÇAIS	ITALIANO	ΕΛΛΗΝΙΚΑ
	EXPLANATION OF SYMBOLS	EXPLICATION DES SYMBOLES	SPIEGAZIONE DEI SIMBOLI	ΕΠΕΞΗΓΗΣΗ ΣΥΜΒΟΛΩΝ
	Always read and understand the instructions before operating	Toujours lire et comprendre les instructions avant d'opérer	Leggere e comprendere sempre le istruzioni prima di operare	Διαβάστε και κατανοήστε τις οδηγίες χρήσης πάντα πριν από τη λειτουργία
	Always wear appropriate eye, hearing and head protection when operating	Portez toujours une protection appropriée pour les yeux, l'ouïe et la tête lors de l'exploitation	Indossare sempre un'adeguata protezione per gli occhi, l'udito e la testa quando si opera	Να χρησιμοποιείτε πάντα κατάλληλη προστασία ματιών, ακοής και κεφαλής κατά τη λειτουργία
	Always wear appropriate protective pants when operating	Portez toujours des pantalons de protection appropriés lors de l'utilisation	Indossare sempre pantaloni protettivi appropriati durante il funzionamento	Να χρησιμοποιείτε πάντα κατάλληλο παντελόνι προστασίας κατά τη λειτουργία
	Always wear appropriate hand protection when operating	Portez toujours une protection appropriée pour les mains lors de l'exploitation	Indossare sempre la protezione della mano appropriata quando si opera	Να χρησιμοποιείτε πάντα κατάλληλη προστασία χεριών κατά τη λειτουργία
	Always wear appropriate feet protection when operating	Portez toujours une protection appropriée des pieds lors de l'exploitation	Indossare sempre la protezione appropriata dei piedi quando si opera	Να χρησιμοποιείτε πάντα κατάλληλη προστασία ποδιών κατά τη λειτουργία
	Do not keep near sources of heat or fire	Ne pas conserver à proximité de sources de chaleur ou de feu	Non tenere vicino a fonti di calore o fuoco	Μη διατηρείτε κοντά σε πηγές θερμότητας ή φωτιάς
	Do not keep or operate in wet environment	Ne pas conserver ou opérer dans un environnement humide	Non tenere o operare in un ambiente umido	Μη διατηρείτε ή λειτουργείτε σε υγρό περιβάλλον
	Keep hands and feet clear of moving saw parts	Gardez les mains et les pieds éloignés des pièces mobiles de la scie	Tenere mani e piedi lontani dalle parti in movimento della sega	Διατηρείτε τα χέρια και τα πόδια σας μακριά από τα κινούμενα εξαρτήματα πριονίσματος
	Never wear accessories or loose clothing and always tie up your hair	Ne portez jamais d'accessoires ou de vêtements amples et attachez toujours vos cheveux	Non indossare mai accessori o abiti larghi e legare sempre i capelli	Ποτέ μην φοράτε αξεσουάρ ή χαλαρή εφαρμογής ρουχισμό και δένετε πάντα τα μαλλιά σας
	Wait until all rotating parts have completely stopped before touching them	Attendez que toutes les pièces en rotation soient complètement arrêtées avant de les toucher	Attendere che tutte le parti rotanti si siano completamente fermate prima di toccarle	Περιμένετε να ακινητοποιηθούν όλα τα περιστρεφόμενα μέρη πριν τα αγγίξετε

SRPSKI	HRVATSKI	ROMÂNĂ	MAGYAR	LIETUVIŲ K.
OBJAŠNJENJE SIMBOLA	OBJAŠNJENJE SIMBOLA	EXPLICAREA SIMBOLURILOR	SZIMBÓLUMOK JELENTÉSE	SIMBOLIŲ PAAIŠKINIMAS
Uvek pročitajte i razumejte uputstva pre rada	Uvijek pročitajte i shvatite upute prije operacije	Citiți și înțelegeți întotdeauna instrucțiunile înainte de a utiliza	Használat előtt mindig olvassa el és értse meg az utasításokat	Prieš pradėdami dirbti, visada perskaitykite ir supraskite instrukcijas
Uvek nosite odgovarajuću zaštitu oka, sluha i glave prilikom rada	Uvijek nosite odgovarajuću zaštitu oka, sluha i glave prilikom rada	Purtați întotdeauna o protecție adecvată a ochilor, auzului și capului atunci când	Munka közben mindig viseljen megfelelő szem-, hallás- és fejbédőt	Dirbdami visada dėvėkite tinkamas akių, klausos ir galvos apsaugos priemonės
Uvek nosi odgovarajuće zaštitne pantalone kada operišeš	Prilikom rada uvijek nosite odgovarajuće zaštitne hlače	Purtați întotdeauna pantaloni de protecție corespunzători când lucrați	Munka közben mindig viseljen megfelelő védőnadrágot	Dirbdami visada dėvėkite tinkamas apsaugines kelnes
Uvek nosite odgovarajuću zaštitu ruku kada radila	Prilikom rada uvijek nosite odgovarajuću zaštitu ruku	Purtați întotdeauna o protecție adecvată a mâinii în timpul funcționării	Munka közben mindig viseljen megfelelő kézvédőt	Dirbdami visada dėvėkite tinkamą rankų apsaugą
Uvek nosite odgovarajuću zaštitu stopala kada radila	Uvijek nosite odgovarajuću zaštitu stopala prilikom rada	Purtați întotdeauna protecție adecvată pentru picioare atunci când	Munka közben mindig viseljen megfelelő lábvédőt	Dirbdami visada dėvėkite tinkamą pėdų apsaugą
Ne držite se blizu izvora toplote ili vatre	Nemojte držati u blizini izvora topline ili vatre	Nu țineți lângă surse de căldură sau foc	Ne tartsa hő- vagy tűzforrás közelében	Nelaikykite šalia šilumos ar ugnies šaltinių
Ne držite ili ne radite u vlažnom okruženju	Nemojte držati ili ne raditi u mokrom okruženju	Nu păstrați și nu acționați într-un mediu umed	Ne tárolja és ne működtesse nedves környezetben	Negalima laikyti ar veikti drėgnoje aplinkoje
Drži ruke i noge dalje od pokretnih delova testere	Držite ruke i noge dalje od pokretnih dijelova pile	Țineți mâinile și picioarele departe de piesele mobile ale ferăstrăului	Tartsa távol kezét és lábát a mozgó fűrészrészeiktől	Rankas ir kojas laikykite toliau nuo judančių pjūklo dalių
Nikada ne nosite pribor ili labavu odeću i uvek vežite kosu	Nikada ne nosite dodatke ili široku odeću i uvijek vežite kosu	Nu purtați niciodată accesorii sau haine largi și legați-vă întotdeauna părul	Soha ne viseljen kiegészítőket vagy bő ruhát, és mindig kösse fel a haját	Niekada nedėvėkite aksesuarų ar laisvų drabužių ir visada suriškite plaukus
Sačekajte dok svi rotirajući delovi potpuno ne prestanu pre nego što ih dodirnete	Pričekajte da se svi rotirajući dijelovi potpuno zaustave prije nego što ih dodirnete	Așteptați până când toate părțile rotative s-au oprit complet înainte de a le atinge	Várja meg, amíg az összes forgó alkatrész teljesen leáll, mielőtt megérinti őket	Palaukite, kol visos besisukančios dalys visiškai sustos, prieš paliesdami jas

	ENGLISH	FRANÇAIS	ITALIANO	ΕΛΛΗΝΙΚΑ
	EXPLANATION OF SYMBOLS	EXPLICATION DES SYMBOLES	SPIEGAZIONE DEI SIMBOLI	ΕΠΕΞΗΓΗΣΗ ΣΥΜΒΟΛΩΝ
	Do not use the upper part of chainsaw bar tip when cutting	N'utilisez pas la partie supérieure de la pointe du guide-chaîne lors de la coupe	Non utilizzare la parte superiore della punta della barra della motosega durante il taglio	Μην χρησιμοποιείτε το άνω μέρος του άκρου της λάμας όταν κόβετε
	Always use both hands when operating	Utilisez toujours les deux mains lors de l'utilisation	Usare sempre entrambe le mani durante il funzionamento	Χρησιμοποιείτε πάντα και τα δύο χέρια κατά τη λειτουργία
	Important, danger, warning, or caution	Important, danger ou avertissement	Importante, pericolo o avviso	Σημαντικό, κίνδυνος ή προειδοποίηση
	Risk of burn injury or fire, due to hot surface	Risque de brûlure	Rischio di ustioni	Κίνδυνος εγκαύματος ή φωτιάς, λόγω καυτής επιφάνειας
	Risk of injury, due to thrown or ricochet objects	Risque de blessure en cas de projection ou de ricochet d'objets	Rischio di lesioni, a causa di oggetti lanciati o rimbalzati	Κίνδυνος τραυματισμού, λόγω αντικειμένων που εκτοξεύονται ή εξοστρακίζονται
	Risk of poisoning, due to toxic gases	Risque d'empoisonnement, dû aux gaz toxiques	Rischio di avvelenamento, a causa di gas tossici	Κίνδυνος δηλητηρίασης, λόγω τοξικών αερίων
	Risk of damage. Keep people, animals or nearby property at least 15m away	Risque de dommages. Gardez les personnes, les animaux ou les propriétés à proximité à au moins 15 mètres	Rischio di danni. Tenere persone, animali o proprietà vicine ad almeno 15m di distanza	Κίνδυνος ζημιάς. Κρατήστε ανθρώπους, ζώα ή αντικείμενα αξίας τουλάχιστον 15m μακριά
	Risk of damage, due to kickback during operation	Risque d'endommagement dû au rebond pendant le fonctionnement	Rischio di danni, a causa di contraccolpi durante il funzionamento	Κίνδυνος ζημιάς, λόγω ανάκρουσης κατά τη λειτουργία
	Risk of hand injury, due to sharp parts	Risque de blessures aux mains en raison de pièces coupantes	Rischio di lesioni alle mani, a causa di parti taglienti	Κίνδυνος τραυματισμού άνω άκρων, λόγω κοφτερών μερών
	Must be recycled and should always be disposed in accordance with applicable directives	Doit être recyclé et doit toujours être éliminé conformément aux directives applicables	Deve essere riciclato e deve essere sempre smaltito secondo le direttive applicabili	Πρέπει να ανακυκλώνεται και πρέπει πάντα να απορρίπτεται σύμφωνα με τις ισχύουσες οδηγίες
	Complies with applicable safety directives and relative standards	Conforme aux directives de sécurité applicables et aux normes relatives	Conforme alle direttive di sicurezza applicabili e alle relative norme	Συμμορφώνεται με τις ισχύουσες οδηγίες ασφαλείας και τα σχετικά πρότυπα

SRPSKI	HRVATSKI	ROMÂNĂ	MAGYAR	LIETUVIŲ K.
OBJAŠNJENJE SIMBOLA	OBJAŠNJENJE SIMBOLA	EXPLICAREA SIMBOLURILOR	SZIMBÓLUMOK JELENTÉSE	SIMBOLIŲ PAAIŠKINIMAS
Ne koristite gornji dio vrha motorne testere prilikom sečenja	Prilikom rezanja nemojte koristiti gornji dio vrha šipke motorne pile	Nu Folosiți partea superioară a vârfului barei de ferăstrău cu lanț atunci când tăiați	Vágáskor ne használja a lánccűrészlap felső részét	Pjaustant nenaudokite viršutinės grandininio pjūklo strypo antgalio dalies
Uvek koristi obe ruke prilikom rada	Prilikom rada uvijek koristite obje ruke	Folosiți întotdeauna ambele mâini când lucrați	Működés közben mindig mindkét kezét használja	Dirbdami visada naudokite abi rankas
Važno, opasnost ili upozorenje	Važno, opasnost ili upozorenje	Important, pericol sau avertisment	Fontos, veszély, figyelmeztetés vagy óvatosság	Svarbu, pavojus, įspėjimas ar atsargumas
Rizik od opekotina	Rizik od opekline	Risc de arsură	Égési sérülés vagy tűz veszélye a forró felület miatt	Nudegimo sužalojimo ar gaisro rizika dėl karšto paviršiaus
Rizik od povreda, zbog bačenih ili rikošet predmeta	Opasnost od ozljeda, zbog bačenih ili rikošetnih predmeta	Risc de rănire, din cauza obiectelor aruncate sau ricoșate	Sérülésveszély kidobott vagy kidobott tárgyak miatt	Rizika susižeisti dėl išmestų ar rikošeto objektų
Rizik od trovanja, zbog otrovnih gasova	Opasnost od trovanja, zbog otrovnih plinova	Risc de otrăvire, din cauza gazelor toxice	Mérgezésveszély a mérgező gázok miatt	Apsinuodijimo rizika dėl toksiškų dujų
Rizik od oštećenja. Držite ljude, životinje ili obližnju imovinu najmanje 15 metara dalje	Rizik od oštećenja. Držite ljude, životinje ili obližnje imanje na udaljenosti od najmanje 15m	Risc de deteriorare. Țineți oamenii, animalele sau bunurile din apropiere la cel puțin 15m distanță	Károsodás veszélye. Tartsa az embereket, állatokat vagy a közeli ingatlant legalább 15m távolságra	Žalos rizika. Laikykite žmones, gyvūnus ar netoliese esantį turčią bent už 15 m atstumu
Rizik od oštećenja, zbog mita tokom operacije	Opasnost od oštećenja zbog povratnog udarca tijekom rada	Risc de deteriorare, din cauza reculului în timpul funcționării	Károsodás veszélye működés közbeni visszarúgás miatt	Žalos rizika dėl atstūmimo eksploatacijos metu
Rizik od povrede ruke, zbog oštrih delova	Opasnost od ozljeda ruke zbog oštrih dijelova	Risc de rănire a mâinii, din cauza pieselor ascuțite	Kéz sérülés veszélye az éles részek miatt	Rankų sužalojimo rizika dėl aštrių dalių
Mora se reciklirati i uvek ga treba raspolagati u skladu sa važećim direktivama	Mora se reciklirati i uvijek zbrinuti u skladu s važećim direktivama	Trebuie reciclat și trebuie întotdeauna eliminat în conformitate cu directivele aplicabile	Újrahasznosítani kell, és mindig a vonatkozó irányelveknek megfelelően kell ártalmatlanítani	Turi būti perdirbtas ir visada turi būti šalinamas pagal taikomas direktyvas
U skladu sa važećim bezbednosnim direktivama i relativnim standardima	U skladu s primjenjivim sigurnosnim direktivama i relativnim standardima	Respectă directivele de siguranță aplicabile și standardele aferente	Megfelel a vonatkozó biztonsági irányelveknek és a vonatkozó szabványoknak	Atitinka taikomas saugos direktyvas ir santykinius standartus

ENGLISH

IDENTIFICATION

1. Saw chain
2. Guide bar
3. Front hand guard
4. Throttle trigger
5. Throttle trigger lock lever
6. Rear handle
7. Primer bulb
8. Air filter cover
9. Lock buckle
10. Starter handle
11. Spark plug
12. Front handle
13. Oil tank
14. Fuel tank
15. Guide bar scabbard
16. Engine switch
17. Chain catcher
18. Chain tension screw
19. Clutch cover
20. Choke knob

GENERAL SAFETY RULES

Read this manual carefully before using the chainsaw and take care of all safety instructions, in order to prevent any injury and damage. Please forward these safety instructions to any other person who uses the chainsaw. Always use your common sense to avoid all situations considered beyond your capability. Do not hesitate to contact with us if you have any questions about the use of chainsaws. We will provide you with advice as well as help, on how to use the chainsaw safely.

PERSONAL PROTECTIVE EQUIPMENT

Always use personal protective equipment such as safety glasses, helmet with visor, protective gloves, protective clothes from chain cuts, protective boots and hearing protection.

SAFETY EQUIPMENT ON THE CHAINSAW

Hand guard and chain brake

The chainsaw is equipped with a chain brake (Fig. 1.6) designed to stop the movement of the chain, in the event of kickback. The chain brake has been designed in order to prevent and reduce the risk of accidents.

Make sure that the kickback zone of the bar never touches any objects. The chain brake can be activated either manually by hand (push forward) or automatically by the inertia, when the chainsaw hits an object downwards. The activation of the chain brake is achieved with very sudden and violent movement of the hand guard, due to kickback.

The hand guard is also used to protect the hand holding the front handle, from the risk of hitting the chain, if the hand loses the grip from the handle.

The chain brake is also used as a parking brake and must be engaged before starting the chainsaw. The chain brake must be deactivated immediately when the chainsaw starts up.

Chain catcher

The chain catcher is used to catch the chain if it jumps out of the bar, due to inappropriate tension of the chain. The chain catcher protects the user from serious injury. If the chain catcher is hurt, it must be replaced with new one.

Vibration system

The chainsaw is equipped with anti-vibration elements, to minimize the vibration and make the operation easier. The anti-vibration system also protects the user from excessive vibration, which can result to circulatory damage or nerve damage. The symptoms of circulatory damage are loss of fingers feeling, pain, loss of strength and changes on skin color. The vibration generated by the engine and the cutting equipment is being reduced and prevented to be transferred on the handles of the chainsaw. The harder the cutting wood is, the higher vibration level is and the sharpened the chain is, the lower vibration level is.

CUTTING EQUIPMENT

The chain teeth must always be in a well sharpened condition. Damaged or not properly sharpened chain, may increase the risk of accidents. Manage and maintain the correct depth gauge, since too large clearance increases the risk of kickback. Manage and maintain the correct tension of the chain. Slack chain may lead to chain jump out of the bar and wear on the bar, chain and drive sprocket. Manage and lubricate properly the cutting equipment. Poor lubrication on the chain may lead to the breakage of the chain, wear on the bar and drive sprocket.

Chain sharpening

If you are not familiar with sharpening your chainsaw chain, we propose to sharpen it professionally at your nearest service center.

Always use protective glasses and gloves when sharpening the chain. Use a round file to sharpen the cutters with outward strokes. After sharpening the cutters, make sure that they have the same width and length. The depth limiter must be lowered after sharpening the cutters, using a flat file.

Chain tensioning

The chain tension is very important and must be checked before operating the chainsaw. The better the chain is tensioned, the best cuts you make! (See fitting bar and chain)

Chain lubrication

The chainsaw is equipped with automatic chain lubrication system. Always use chain oil indicated for chain and bar lubrication, with good adhesion to the chain. Waste engine oil must never be used, since it can be dangerous for the user and can lead to the oil pump damage.

INSTALLING GUIDE BAR AND SAW CHAIN

A standard saw unit package contains the items as shown below.: (Fig. 1)

- (Fig. 1.1) Power unit (Fig. 1.2) Saw chain
(Fig. 1.3) Guide bar (Fig. 1.4) Guide bar scabbard
(Fig. 1.5) Plug wrench

Open the box and install the guide bar and the saw chain on the power unit as follows.

WARNING

The saw chain has very sharp edges. Use protective gloves for safety.

1. Pull the guard towards the front handle to check that the chain brake is not on.
2. Loosen a nut (Fig. 2.1) and remove the clutch cover (Fig. 2.2.) Fix the spiked bumper, if not already assembled, (Fig. 2.3) with two screws (Fig. 2.4) on the fore-front of the chain saw (Fig. 2).

IMPORTANT The spiked bumper belongs to the chain saw. It must be screwed up on chain saw before the initial use. Remove the spacer (Fig. 3.1) from chain saw (Fig. 3).

3. Fit the guide bar (Fig. 4.2) to the power unit, and then push the guide bar toward the clutch (Fig. 4).
4. Gear the chain to the sprocket while fitting the saw chain around the guide bar (Fig. 5).

NOTE Pay attention to the correct direction of the saw chain.

5. Adjust the position of chain tensioner nail, and then insert the tensioner nail in the lower hole of the guide bar (Fig. 6.3). Mount the clutch cover to the power unit and fasten the mounting nut to finger tightness. (Fig. 7). While holding up the tip of the bar, adjust the chain tension by turning the tensioner screw until the tie straps just touch the bottom side of the bar rail (Fig. 8).
6. Tighten the nut securely with the bar tip held up (12 ~ 15 Nm). Then check the chain for smooth rotation and proper tension while moving it by hand. If necessary, readjust with the chain cover loose. Turn the tensioner screw (Fig. 6.4) clockwise to tighten the chain, turn the tensioner screw (Fig. 6.4) counter-clockwise to loosen the chain.
7. Check the tension of the saw chain. Use your hand to lift the chain link which positions on the middle of cutting length up with approximate 10N force. If the chain link goes out of the rail of guide bar entire, you need to retighten the chain.

IMPORTANT It is very important to maintain the proper chain tension. Rapid wear of the guide bar or the chain coming off easily can be caused by improper tension. Especially when using a new chain, take good care of it since it should expand when first used.

FUELING AND LUBRICATION

The chainsaw is equipped with 2-stroke engine; therefore, oil mixture of petrol 95 RON and 2-stroke oil, must always being used. It is very important to pay attention with the fuel mixture that you use, since accurate mixture of oil and fuel must be obtained. Small quantities of oil and fuel mixture with small inaccuracies, can affect the ratio of mixture, which may lead to engine overheat and serious damages in the engine. Mixture with fuel of higher Octane is only recommended to be used, when working continuously at high revs.

Two stroke oil

Especially formulated 2-stroke oil for air cooled 2-stroke engines must be used. Do not use 2-stroke oil intended for water cooled engines use. Never use

poor quality of oil and 4-stroke engine oil.

Mixing ratio

For best results and performance, the mixing ratio is 2,5% with oil class JASO FC or ISO EGC at minimum, formulated for air cooled 2-stroke engines.

Petrol, liter	2-stroke oil, liter 2,5% (1:40)
4	0,10lt (100ml)
8	0,20lt (200ml)

Always use clean container for fuel before mixing the fuel. Mix and shake the fuel mixture thoroughly, before filling the machine's fuel tank. Do not use fuel mixture stored for more than a month. The fuel tank of the machine must be emptied before storage.

Chain oil

Use special chain oil with good adhesion characteristics. Waste engine oil must never being used, since it can be dangerous for the user and can lead to the oil pump damage. The chainsaw has been designed in such a way, where the oil tank must be filled up every time the fuel tank is getting empty.

NOTE Always switch the engine off and let it cool down, before refueling. Never smoke during the refueling process.

NOTE Never operate the chainsaw with 100% of petrol, without adding 2-stroke oil.

STARTING ENGINE

1. Untwist and remove the fuel cap and oil cap.
2. Fill the fuel tank (Fig. 9.1) and oil tank to 80% of the full capacity.
3. Fasten the fuel cap and oil tank (Fig. 9.2) securely and wipe up any fuel spillage around the unit.
4. Put the switch (Fig. 10.1) to the "I" position.
5. Turn the choke knob counter-clockwise (Fig. 10.2). The choke will close and the throttle lever will then be set in the starting position.
6. Continuously push the primer bulb (Fig. 11.1) until fuel comes in the bulb.

NOTE

When restarting immediately after stopping the engine. Set choke in the open position. Once the choke knob has been turned counter clockwise, it will return to the running position if you press the throttle trigger (Fig. 12.1) or turn the choke knob clock-wise with your finger. When you wish to return the choke knob to the operating position, press the throttle trigger (Fig. 12.1) instead.

7. Push the front handle guard down toward the front to activate the chain brake.
8. While holding the saw unit securely on the ground, pull the starter rope vigorously (Fig. 13).
9. When firing occur, turn the choke knob clockwise manually. Then pull the starter rope again until the engine starts. Press the throttle trigger immediately to allow the throttle return to the idle position. Setting the choke manually can temporarily set the throttle in a partially open position to aid starting.
10. Pull up the front handle guard toward the front

handle to release brake. Then, allow the engine to warm up with the trigger pulled slightly.

WARNING Before you start the engine, make sure the saw chain is not contacting anything. Make sure the chain brake always is activated before each starting.

CHECKING OIL SUPPLY

After starting the engine, run the chain at medium speed and see if chain oil is scattered off as shown in the Fig. 14.

IMPORTANT The oil tank should become nearly empty by the time fuel is used up. Be sure to refill the oil tank every time when refueling the saw.

OPERATIONAL CHECK OF THE CLUTCH

Before each use, you shall confirm that there is no chain movement when the chain saw running at idling speed.

WORKING TECHNIQUES

Follow the below mentioned points, in order to carry out your sawing work safely, without accidents and injuries.

- ▶ If you are tired do not use the chainsaw.
- ▶ Do not use the chainsaw with bad weather.
- ▶ Always hold the chainsaw with both hands (Fig. 25), while the engine is running.
- ▶ Make sure that the area around you is free from obstacles, which may interrupt you while you are cutting or, they may be hurt from falling trees or branches.
- ▶ Make sure that you are standing firmly and that there is nothing which can make you losing your balance.
- ▶ Be aware that kickback accidents mostly happen during limbing (Fig. 27).
- ▶ Never cut at a height over your shoulders and never cut with the nose of the bar (Fig. 25).
- ▶ Never work standing on a ladder, in a tree or where you do not have firm ground to stand on (Fig. 26).
- ▶ Use high revs on the engine of the chainsaw, while cutting.
- ▶ Use idle speed after every cut.
- ▶ Cutting on the push stroke may be dangerous, since a kickback may happen.
- ▶ Make sure that the chain is well tensioned, so as not jam during cutting. If the chain jams during the cut, stop the engine of the chainsaw immediately. Use a lever to lift up the cut wood and free the chainsaw.
- ▶ Make sure that the wood will not split during cut (Fig. 28).
- ▶ Make sure that the chain will not touch the ground during cut (Fig. 29).

SAFETY RULES ON HOW TO AVOID KICKBACK

Kickback is a very sudden movement of the chainsaw. It happens when the user cut an object with the upper quadrant of the bar nose and the chainsaw bar jumps off the object, towards the user. Kickback may become very dangerous for the user and therefore, be extremely cautious when limbing and avoid contacting the log with the nose of the bar. Moreover, be very cautious with the limbs under tension, since they can move backwards and towards you like a spring, which can cause you serious injury.

MAINTENANCE

WARNING Before cleaning, inspecting or repairing your unit, make sure that engine has stopped and is cool. Disconnect the spark plug to prevent accidental starting. Follow the instructions to carry out regular maintenance, pre-operating procedures and daily maintenance routines. Improper maintenance may result in serious damage to the machine.

MAINTENANCE AFTER EACH USE

1. AIR FILTER

Dust on the cleaner filter can be removed by washing in a solution of household detergent and warm water. To clean dirt in the meshes, remove the cleaner cover and brush in gasoline. When using compressed air, blow from the inside. (Fig. 15.1) air filter buckle (Fig. 15.2) air filter cover.

2. OILING SPRAYER

Dismount the guide bar and check the oiling outlet for clogging. (Fig. 19.1) Oiling outlet (Fig. 19.2) Oiling inlet

3. GUIDE BAR

When the guide bar is dismounted, remove sawdust in the bar groove (Fig. 21) and the oiling inlet (Fig. 18).

4. OTHERS

Check for fuel leakage and loose fastenings and damage to major parts, especially handle joints and guide bar mounting. If any defects are found, make sure to have them repaired before operating again.

PERIODICAL SERVICE POINTS

1. CYLINDER FINS

Dust clogging between the cylinder fins will cause overheating of the engine. Periodically check the fins after removing the clutch cover, and then use pressure air to clean the cylinder fins.

2. FUEL FILTER

- (a) Using a wire hook, take out the filter from the filler port.
- (b) Disassemble the filter and wash with gasoline, or replace with a new one if needed.

IMPORTANT

- ▶ After removing the filter, use a pinch to hold the end of the suction pipe.
- ▶ When assembling the filter, take care not to allow filter fibers or dust inside the suction pipe.

3. SPARK PLUG

Clean the electrodes with a wire brush and reset the gap to 0.65mm as necessary (Fig. 23). Spark plug type: NGK CMR7H

4. SPROCKET

Check for cracks and for excessive wear interfering with the chain drive. If the wear is considerable, replace it with new one. Never fit a new chain on a worn sprocket, or a worn chain on a new sprocket (Fig. 24).

5. FRONT AND REAR ABSORBER SPRINGS

Replace if the front or rear absorber spring is damaged.

IMPORTANT

Use only the spare parts which named in this manual. Use the other spare part can cause serious injury.

SAW CHAIN WARNING

It is very important for smooth and safe operation to keep the cutters always sharp.

Your cutters need to be sharpened when:

- ▶ Sawdust becomes powder-like.
- ▶ You need extra force to saw in.
- ▶ The cut way does not go straight.
- ▶ Vibration increases.
- ▶ Fuel consumption increases.

CUTTER SETTING STANDARDS:

Be sure to wear safety gloves.

Before filing:

- ▶ Make sure the saw chain is held securely. (Fig. 20).
 - ▶ Make sure the engine is stopped.
 - ▶ Use a round file of proper size for your chain.
- File size: 3,2mm for all models.

Place your file on the cutter and push straight forward. Keep the file position as illustrated.

After every cutter has been set, check the depth gauge and file it to the proper level as illustrated.

IMPORTANT

Be sure to round off the front edge to reduce the chance of kickback or tie-strap breakage.

Make sure every cutter has the same length and edge angles as illustrated.

GUIDE BAR

- ▶ Reverse the bar occasionally to prevent partial wear.
- ▶ The bar rail should always be a square. Check for wear (Fig. 22) of the bar rail. Apply a ruler to the bar and the outside of a cutter. If a gap is observed between them, the rail is normal. Otherwise, the bar rail is

worn. Such a bar needs to be corrected or replaced.
(1) Ruler (2) Gap (3) No gap

STORAGE

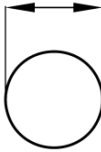
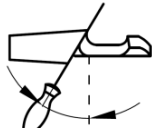
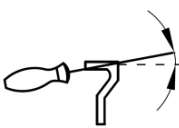


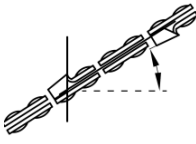


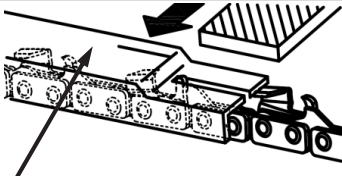
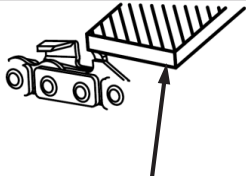
1. Empty the fuel tank and run the engine out of fuel.
2. Empty the oil tank.
3. Clean the entire unit.
4. Store the unit in a dry place out of the reach of children.

WASTE DISPOSAL AND ENVIRONMENTAL PROTECTION

Never pour remainders of chain lubricant or 2-stroke fuel mixture in the drain or sewerage system or soil, but dispose of it in a proper, environmentally friendly way, e.g., at a special collecting point or dump. If your device should become useless somewhere in the future or you do not need it any longer, do not dispose of the device together with your domestic refuse, but dispose of it in an environmentally friendly manner. Thoroughly empty the oil/lubricant and fuel tanks and dispose of the remainders at a special collecting point or dump. Please also dispose of the device itself at an according collecting/recycling point. By doing so, plastic and metal parts can be separated and recycled. Information concerning the disposal of materials and devices are available from your local administration.

WARRANTY

This product is warranted in accordance with the legal/country specific regulations, effective from the date of purchase by the first user. Damage attributable to normal wear and tear, overload or improper handling will be excluded from the warranty. In case of a claim, please send the machine, completely assembled, to your dealer.

	File diameter	Top plate angle	Down angle	Head angle (55°)	Depth gauge standard
Type of chain					
		Vise rotate angle	Vise angle	Side angle	
					
E1	3,2mm	30°	10°	55°	0,52mm
					
Depth gauge			File		

Article Number	48 299	
Model	GCS 325T PLUS	
Engine		
Cylinder displacement	cc	25,4
Cylinder bore	mm	35
Stroke	mm	28
Idle speed	rpm	3.100±500
Maximum engine power	kW/hp	1 / 1,34
Maximum engine speed	rpm	11.000
Ignition system		
Electrode gap	mm	0,6-0,7
Fuel and lubrication system		
Fuel tank capacity	litre	0,18
Oil tank capacity	litre	0,14
Type of oil pump		Plunger pump
Weight		
Chainsaw without bar or chain	kg	2,5
Noise emissions		
Sound power level, measured	dB(A)	99,2
Sound power level, guaranteed	Lwa dB	113
Sound levels		
Equivalent sound pressure level at the operator's ear	dB(A)	99
Equivalent vibration levels		
Front handle	m/s ²	9
Rear handle	m/s ²	8,5
Chain / bar		
Bar length	cm	25cm
Pitch	inch	1/4"
Thickness of drive links	mm/inch	1,1 / 0,043"
Max. chain speed	m/s	21

FRANÇAIS

IDENTIFICATION

1. Chaîne de scie
2. Barre de guidage
3. Garde de la main avant
4. Déclencheur de la manette des gaz
5. Levier de verrouillage de déclenchement de la manette des gaz
6. Poignée arrière
7. Ampoule d'amorce
8. Couvercle de filtre à air
9. Boucle de verrouillage
10. Poignée de démarrage
11. Bougie
12. Poignée avant
13. Réservoir d'huile
14. Réservoir de carburant
15. Guide bar scabard
16. Commutateur moteur
17. Attrape chaîne
18. Vis de tension de chaîne
19. Couvercle d'embrayage
20. Bouton d'étrangement

RÈGLES GÉNÉRALES DE SÉCURITÉ

Lisez attentivement ce manuel avant d'utiliser la tronçonneuse et respectez toutes les consignes de sécurité afin d'éviter toute blessure et tout dommage. Veuillez transmettre ces consignes de sécurité à toute autre personne qui utilise la tronçonneuse. Utilisez toujours votre bon sens pour éviter toutes les situations considérées au-delà de vos capacités. N'hésitez pas à nous contacter si vous avez des questions sur l'utilisation des tronçonneuses. Nous vous fournirons des conseils ainsi que de l'aide sur la façon d'utiliser la tronçonneuse en toute sécurité.

ÉQUIPEMENT DE PROTECTION INDIVIDUELLE

Utilisez toujours des équipements de protection individuelle tels que des lunettes de sécurité, un casque avec visière, des gants de protection, des vêtements de protection contre les coupures de chaîne, des bottes de protection et une protection auditive.

ÉQUIPEMENT DE SÉCURITÉ SUR LA TRONÇONNEUSE

Protège-main et frein de chaîne

La tronçonneuse est équipée d'un frein de chaîne (Fig. 16) conçu pour arrêter le mouvement de la chaîne, en cas de rebond. Le frein de chaîne a été conçu pour prévenir et réduire les risques d'accidents.

Assurez-vous que la zone de recul de la barre ne touche aucun objet. Le frein de chaîne peut être activé manuellement à la main (pousser vers l'avant) ou automatiquement par l'inertie, lorsque la tronçonneuse frappe un objet vers le bas. L'activation du frein de chaîne est obtenue par un mouvement très soudain et violent du protège-main, dû au rebond.

Le protège-main est également utilisé pour protéger la main tenant la poignée avant, du risque de heurter la chaîne, si la main perd la prise de la poignée.

Le frein de chaîne est également utilisé comme frein de stationnement et doit être engagé avant de démarrer la tronçonneuse. Le frein de chaîne doit être dé-

sactivé immédiatement au démarrage de la tronçonneuse.

Capteur de chaîne

Le receveur de chaîne est utilisé pour attraper la chaîne si elle saute hors de la barre, en raison d'une tension inappropriée de la chaîne. Le receveur de chaîne protège l'utilisateur contre les blessures graves. Si le receveur de chaîne est blessé, il doit être remplacé par un nouveau.

Système de vibration

La tronçonneuse est équipée d'éléments anti-vibration, pour minimiser les vibrations et faciliter l'opération. Le système anti-vibration protège également l'utilisateur contre les vibrations excessives, qui peuvent entraîner des dommages circulatoires ou des lésions nerveuses. Les symptômes des dommages circulatoires sont la perte de sensation des doigts, la douleur, la perte de force et les changements de couleur de la peau. Les vibrations générées par le moteur et l'équipement de coupe sont réduites et empêchées d'être transférées sur les poignées de la tronçonneuse. Plus le bois de coupe est dur, plus le niveau de vibration est élevé et plus la chaîne est affûtée, plus le niveau de vibration est faible.

ÉQUIPEMENT DE COUPE

Les dents de la chaîne doivent toujours être bien affûtées. Chaîne endommagée ou mal affûtée, peut augmenter le risque d'accidents.

Gérez et maintenez la jauge de profondeur correcte, car un jeu trop grand augmente le risque de rebond. Gérez et maintenez la tension correcte de la chaîne. Une chaîne détendue peut entraîner un saut de la chaîne hors de la barre et une usure de la barre, de la chaîne et du pignon d'entraînement.

Gérez et lubrifiez correctement l'équipement de coupe. Une mauvaise lubrification de la chaîne peut entraîner la rupture de la chaîne, l'usure de la barre et du pignon d'entraînement.

Affûtage de chaîne

Si vous n'êtes pas familier avec l'affûtage de votre chaîne de tronçonneuse, nous vous proposons de l'affûter professionnellement au centre de service le plus proche.

Utilisez toujours des lunettes et des gants de protection lors de l'affûtage de la chaîne. Utilisez une lime ronde pour affûter les couteaux avec des mouvements vers l'extérieur. Après avoir affûté les couteaux, assurez-vous qu'ils ont la même largeur et la même longueur. Le limiteur de profondeur doit être abaissé après affûtage des couteaux, à l'aide d'une lime plate.

Tension de chaîne

La tension de la chaîne est très importante et doit être vérifiée avant d'utiliser la tronçonneuse. Plus la chaîne est tendue, meilleures sont les coupes! (Voir barre de montage et chaîne)

Lubrification de chaîne

La tronçonneuse est équipée d'un système de lubrification automatique de la chaîne. Utilisez toujours l'huile de chaîne indiquée pour la lubrification des chaînes et des barres, avec une bonne adhérence à la chaîne. L'huile moteur usagée ne doit jamais être utilisée, car elle peut être dangereuse pour l'utilisateur et peut endommager la pompe à huile.

INSTALLATION D'UNE BARRE DE GUIDAGE ET D'UNE CHAÎNE DE SCIE

Un ensemble d'unités de scie standard contient les éléments indiqués ci-dessous (Fig. 1) :

- (Fig. 1.1) Unité de puissance (Fig. 1.2) Chaîne de scie (Fig. 1.3) Barre de guide (Fig. 1.4) Gale de barre de guide (Fig. 1.5) Plug clé

Ouvrez la boîte et installez la barre de guidage et la chaîne de scie sur l'unité d'alimentation comme suit.

AVERTISSEMENT

La chaîne de scie a des bords très pointus. Utilisez des gants de protection pour des raisons de sécurité.

1. Tirez la garde vers la poignée avant pour vérifier que le frein à chaîne n'est pas allumé.
2. Desserrer un écrou (Fig. 2.1) et retirer le couvercle de la chaîne (Fig. 2.2). Fixer le pare-chocs, s'il n'est pas déjà assemblé, à pointes (Fig. 2.3) avec deux (Fig. 2.4) vis à l'avant-garde de la scie à chaîne (Fig. 2).

IMPORTANT

Le pare-chocs à pointes appartient à la tronçonneuse. Il doit être vissé sur la scie à chaîne avant l'utilisation initiale. Retirez l'espaceur (Fig. 3.1) de la scie à chaîne (Fig. 3).

3. Placez la barre de guidage (Fig. 4.2) à l'unité de puissance, puis poussez la barre de guidage vers l'embrayage (Fig. 4).
4. Vitesse de la chaîne à la sprocket et, tout en ajustant la chaîne de scie autour de la barre de guidage (Fig. 5).

NOTE Faites attention à la bonne direction de la chaîne de scie.

5. Ajuster la position de l'ongle de tensionneur de chaîne, puis insérez l'ongle de tension dans le trou inférieur de la barre de guidage (Fig. 6.3). Montez le couvercle de l'embrayage à l'unité de puissance et attachez l'écrou de montage à l'étanchéité des doigts (Fig. 7). Tout en maintenant le bout de la barre, ajuster la tension de la chaîne en tournant la vis du tensionneur jusqu'à ce que les sangles de cravate touchent simplement le côté inférieur du rail de barre (Fig. 8).
6. Serrez l'écrou solidement avec la pointe de la barre maintenue (12 ~ 15 Nm). Vérifiez ensuite la chaîne pour une rotation en douceur et une tension appropriée tout en la déplaçant à la main. Si nécessaire, réajustez avec le couvercle de la chaîne en vrac. Tournez la vis du tensionneur (Fig. 6.4) dans le sens des aiguilles d'une montre pour serrer la chaîne, tournez la vis du tensionneur (Fig. 6.4) dans le sens inverse des aiguilles d'une montre pour desserrer la chaîne.
7. Vérifiez la tension de la chaîne de scie. Utilisez votre main pour soulever le maillon de la chaîne qui se positionne au milieu de la longueur de coupe avec une force approximative de 10N. Si le lien de chaîne sort du rail de la barre de guidage entière, vous devez re-tighten la chaîne.

IMPORTANT

Il est très important de maintenir la tension de la chaîne appropriée. L'usure rapide de la barre de guidage ou de

la chaîne qui se détache facilement peut être causée par une tension inappropriée. Surtout lors de l'utilisation d'une nouvelle chaîne, prendre bien soin de lui car il devrait se développer lors de la première utilisation.

RAVITAILLEMENT ET LUBRIFICATION

La tronçonneuse est équipée d'un moteur 2 temps; par conséquent, un mélange d'huile d'essence 95 RON et d'huile 2 temps doit toujours être utilisé. C'est très important de faire attention avec le mélange de carburant que vous utilisez, car un mélange précis d'huile et de carburant doit être obtenu. De petites quantités de mélange d'huile et de carburant avec de petites imprécisions peuvent affecter le rapport de mélange, ce qui peut entraîner une surchauffe du moteur et de graves dommages au moteur. Il est recommandé d'utiliser un mélange avec du carburant à indice d'octane supérieur uniquement lorsque vous travaillez en continu à des régimes élevés.

Huile deux temps

Une huile 2 temps spécialement formulée pour les moteurs 2 temps refroidis par air doit être utilisée. N'utilisez pas d'huile 2 temps destinée aux moteurs refroidis par eau. N'utilisez jamais d'huile de mauvaise qualité et d'huile moteur 4 temps.

Taux de mélange

Pour de meilleurs résultats et performances, le rapport de mélange est de 2,5% avec la classe d'huile JASO FC ou ISO EGC au minimum, formulée pour les moteurs 2 temps refroidis par air.

Petrol, litre	Huile 2 temps, litre 2,5% (1:40)
4	0,10lt (100ml)
8	0,20lt (200ml)

Utilisez toujours un récipient propre pour le carburant avant de mélanger le carburant. Mélangez et se-couez soigneusement le mélange de carburant avant de remplir le réservoir de carburant de la machine. N'utilisez pas de mélange de carburant stocké pendant plus d'un mois. Le réservoir de carburant de la machine doit être vidé avant le stockage.

Huile de chaîne

Utilisez une huile de chaîne spéciale avec de bonnes caractéristiques d'adhérence. L'huile moteur usagée ne doit jamais être utilisée, car elle peut être dangereuse pour l'utilisateur et peut endommager l'appareil à huile. La tronçonneuse a été conçue de telle manière, où le réservoir d'huile doit être rempli à chaque fois que le réservoir de carburant se vide.

REMARQUE: Arrêtez toujours le moteur et laissez-le refroidir avant de faire le plein. Ne fumez jamais pendant le processus de ravitaillement.

REMARQUE: Ne faites jamais fonctionner la tronçonneuse avec 100% d'essence, sans ajouter d'huile 2 temps.

MOTEUR DE DÉMARRAGE

1. Détapez et retirez le bouchon de carburant et le bouchon d'huile.
2. Remplissez le réservoir (Fig. 9.1) de carburant et le réservoir d'huile à 80 % de la pleine capacité.

3. Attachez le bouchon de carburant et le réservoir d'huile (Fig. 9.2) en toute sécurité et essuyez tout déversement de carburant autour de l'appareil.
4. Placez le commutateur (Fig. 10.1) à la position «I».
5. Tournez le bouton d'étranglement dans le sens inverse des aiguilles d'une montre (Fig. 10.2). L'étranglement se refermera et le levier de la manette des gaz sera ensuite réglé en position de départ.
6. Poussez continuellement l'ampoule d'amorce (Fig. 11.1) jusqu'à ce que le carburant vienne dans l'ampoule.

NOTE

La repornirea imediat după oprirea motorului. Setați sufoacă în poziția deschisă. Odată ce butonul de sufoacă a fost întors în sens invers acelor de ceasornic, acesta va reveni la poziția de rulare dacă apăsați pe trăgaciul de accelerație (Fig. 12.1) sau rotiți butonul de sufoacă cu degetul. Când doriți să readuceți butonul de sufoacă în poziția de funcționare, apăsați în schimb declanșatorul de accelerație (Fig. 12.1).

7. Poussez la poignée avant vers le bas vers l'avant pour activer le frein à chaîne.
8. Tout en maintenant l'unité de scie solidement sur le sol, tirez vigoureusement la corde de démarrage (Fig. 13).
9. Lorsque le tir se produit, tournez le bouton d'étranglement dans le sens des aiguilles d'une montre manuellement. Tirez ensuite à nouveau sur la corde de démarrage jusqu'à ce que le moteur démarre. Appuyez immédiatement sur la gâchette de la manette des gaz pour permettre à la manette des gaz de revenir à la position de ralenti. Le réglage manuel de l'étranglement peut régler temporairement la manette des gaz en position partiellement ouverte pour faciliter le démarrage.
10. Tirez vers le haut de la poignée avant vers la poignée avant pour relâcher le frein. Ensuite, laissez le moteur se réchauffer avec la gâchette légèrement tirée.

AVERTISSEMENT

Avant de démarrer le moteur, assurez-vous que la chaîne de scie ne communique rien. Assurez-vous que le frein à chaîne est toujours activé avant chaque démarrage.

VÉRIFICATION DE L'APPROVISIONNEMENT EN HUILE

Après avoir déclenché le moteur, exécutez la chaîne à vitesse moyenne et voyez si l'huile de chaîne est dispersée comme indiqué dans la figure 14.

IMPORTANT Le réservoir d'huile devrait devenir presque vide au moment où le carburant est utilisé. Assurez-vous de remplir le réservoir d'huile à chaque fois lors du ravitaillement de la scie.

VÉRIFICATION FONCTIONNELLE DE L'EMBRAYAGE

Avant chaque utilisation, vous devez confirmer qu'il n'y a pas de mouvement de chaîne lorsque la scie à chaîne fonctionne à la vitesse de marche au ralenti.

TECHNIQUES DE TRAVAIL

Suivez les points mentionnés ci-dessous, afin d'effectuer vos travaux de sciage en toute sécurité, sans accidents ni blessures.

- ▶ Si vous êtes fatigué, n'utilisez pas la tronçonneuse.
- ▶ N'utilisez pas la tronçonneuse par mauvais temps.
- ▶ Tenez toujours la tronçonneuse à deux mains (Fig. 25) pendant que le moteur tourne.
- ▶ Assurez-vous que la zone autour de vous est exempte d'obstacles qui pourraient vous interrompre pendant la coupe ou qu'ils pourraient être blessés par la chute d'arbres ou de branches.
- ▶ Assurez-vous que vous vous tenez fermement et que rien ne peut vous faire perdre l'équilibre.
- ▶ Soyez conscient que les accidents de rebond surviennent principalement lors de l'ébranchage (Fig. 27).
- ▶ Ne coupez jamais en hauteur sur vos épaules et ne coupez jamais avec le nez de la barre (Fig. 25).
- ▶ Ne travaillez jamais debout sur une échelle, dans un arbre ou là où vous ne disposez pas d'un sol solide (Fig. 26).
- ▶ Utilisez un régime élevé sur le moteur de la tronçonneuse pendant la coupe.
- ▶ Utilisez le ralenti après chaque coupe.
- ▶ Couper sur la course de poussée peut être dangereux, car un recul peut se produire.
- ▶ Assurez-vous que la chaîne est bien tendue afin de ne pas se coincer pendant la coupe. Si la chaîne se coincé pendant la coupe, arrêtez immédiatement le moteur de la tronçonneuse. Utilisez un levier pour soulever le bois coupé et le libérer la tronçonneuse.
- ▶ Assurez-vous que le bois ne seindra pas pendant la coupe (Fig. 28).
- ▶ Assurez-vous que la chaîne ne touche pas le sol pendant la coupe (Fig. 29).

RÈGLES DE SÉCURITÉ SUR LA FAÇON D'ÉVITER LE REBOND

Le recul est un mouvement très soudain de la tronçonneuse. Cela se produit lorsque l'utilisateur coupe un objet avec le quadrant supérieur du nez de la barre et que la barre de la tronçonneuse saute de l'objet vers l'utilisateur. Le recul peut devenir très dangereux pour l'utilisateur et, par conséquent, être extrêmement prudent lors de l'écrasement et éviter de toucher la bûche avec le nez de la barre. De plus, soyez très prudent avec les membres sous tension, car ils peuvent se déplacer vers l'arrière et vers vous comme un ressort, ce qui peut vous causer de graves blessures.

ENTRETIEN

AVERTISSEMENT

Avant de nettoyer, d'inspecter ou de réparer votre appareil, assurez-vous que le moteur s'est arrêté et est frais. Débranchez la bougie d'allumage pour éviter le démarrage accidentel. Suivez les instructions pour effectuer des travaux d'entretien réguliers, des procédures de pré-exploitation et des routines quotidiennes d'entretien. Un entretien inadéquat peut causer de graves dommages à la machine.

MAINTENANCE APRÈS CHAQUE UTILISATION

1. FILTRE À AIR

La poussière sur le filtre plus propre peut être enlevée

en lavant dans une solution de détergent ménager et d'eau chaude. Pour nettoyer la saleté dans les mailles, retirer le couvercle plus propre et badigeonner d'essence. Lorsque vous utilisez de l'air comprimé, soufflez de l'intérieur. (Fig. 15.1) boucle de filtre à air (Fig. 15.2) couvercle de filtre à air.

2. PULVÉRISATEUR D'HUILE

Démontez la barre de guidage et vérifiez la sortie d'huile pour le colmatage. (Fig. 19.1) Sortie d'huile (Fig. 19.2) Entrée d'huile

3. BARRE DE GUIDAGE

Lorsque la barre de guidage est démontée, retirer la sciure de bois dans la rainure de la barre (Fig. 21) et l'entrée d'huile (Fig. 18).

4. AUTRES

Vérifiez les fuites de carburant et les fixations lâches et les dommages aux pièces principales, en particulier les joints de poignée et le montage de barre de guidage. Si des défauts sont constatés, assurez-vous de les faire réparer avant de fonctionner à nouveau.

POINTS DE SERVICE PÉRIODIQUES

1. NAGEOIRES DE CYLINDRE

Le colmatage de la poussière entre les nageoires du cylindre provoquera une surchauffe du moteur. Vérifiez périodiquement les ailerons après avoir enlevé le couvercle de l'embrayage, puis utilisez de l'air de pression pour nettoyer les nageoires du cylindre.

2. FILTRE À CARBURANT

- À l'aide d'un crochet métallique, retirer le filtre du port de remplissage.
- Démonter le filtre et laver avec de l'essence, ou remplacer par un nouveau si nécessaire.

IMPORTANT

- Après avoir enlevé le filtre, utilisez une pincée pour tenir l'extrémité du tuyau d'aspiration.
- Lors de l'assemblage du filtre, veillez à ne pas laisser les fibres de filtre ou la poussière à l'intérieur du tuyau d'aspiration.

3. BOUGIE D'ALLUMAGE

Nettoyez les électrodes à l'aide d'une brosse métallique et réinitialisez l'écart à 0,65 mm au besoin (Fig. 23).
Type de bougie d'allumage : NGK CMR7H

4. SPROCKET

Vérifiez s'il y a des fissures et une usure excessive qui interfère avec le lecteur de chaîne. Si l'usure est considérable, le remplacer par un nouveau. Ne jamais installer une nouvelle chaîne sur un sprocket usé, ou une chaîne usée sur un nouveau sprocket (Fig. 24).

5. RESSORTS D'ABSORBEUR AVANT ET ARRIÈRE

Remplacer si le ressort de l'absorbeur avant ou arrière est endommagé.

IMPORTANT

Utilisez uniquement les pièces de rechange qui sont nommées dans ce manuel. L'utilisation de l'autre pièce de rechange peut causer des blessures graves.

CHAÎNE DE SCIE

AVERTISSEMENT

Il est très important pour un fonctionnement lisse et sûr pour garder les coupeurs toujours pointus.

Vos coupeurs doivent être aiguisés lorsque :

- La sciure de neige devient poudreuse.
- Vous avez besoin d'une force supplémentaire pour y entrer.
- La voie de coupe ne va pas tout droit.
- Les vibrations augmentent.
- La consommation de carburant augmente.

NORMES D'ÉTABLISSEMENT DE CUTTER:

Assurez-vous de porter des gants de sécurité.

Avant le dépôt :

- Assurez-vous que la chaîne de scie est maintenue en toute sécurité (Fig. 20).
- Assurez-vous que le moteur est arrêté.
- Utilisez un lime rond de taille appropriée pour votre chaîne.

Taille de lime: 3,5mm pour tous les modèles.

Placez votre dossier sur le cutter et poussez droit vers l'avant.

Garder la position du lime telle qu'elle est illustrée.

Une fois que chaque coupeur a été réglé, vérifiez la jauge de profondeur et déposez-la au niveau approprié tel qu'illustré.

IMPORTANT

Assurez-vous d'arrondir le bord avant pour réduire les risques de rebond ou de bris de sangle.

Assurez-vous que chaque coupeur a la même longueur et les mêmes angles de bord que illustré.

BARRE DE GUIDAGE

- Inversez la barre de temps en temps pour éviter l'usure partielle.
- Le rail de bar doit toujours être un carré. Vérifiez l'usure (Fig. 22) du rail de bar. Appliquer une règle sur la barre et l'extérieur d'un cutter. Si un écart est observé entre eux, le rail est normal. Sinon, le rail de bar est usé. Une telle barre doit être corrigée ou remplacée.

(1) Règle (2) Écart (3) Pas d'écart

ESPACE DE RANGEMENT

- Videz le réservoir de carburant et faites fonctionner le moteur sans carburant.
- Videz le réservoir d'huile.
- Nettoyez l'ensemble de l'unité.
- Rangez l'appareil dans un endroit sec hors de portée des enfants

ÉLIMINATION DES DÉCHETS ET PROTECTION DE L'ENVIRONNEMENT

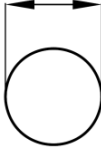
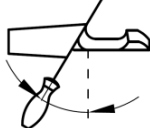
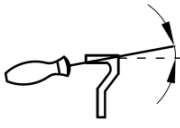
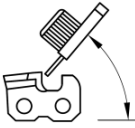
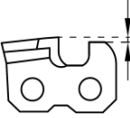
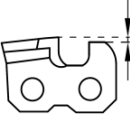
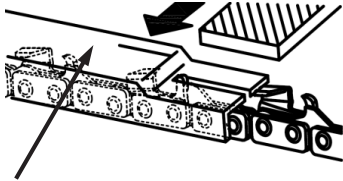
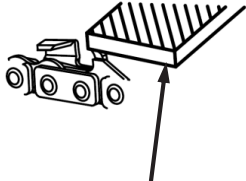
Ne versez jamais de restes de lubrifiant pour chaîne ou de mélange de carburant 2 temps dans le drain ou le système d'égouts ou dans le sol, mais éliminez-le d'une manière appropriée et respectueuse de l'environnement, par exemple dans un point de collecte ou une

décharge spéciale. Si votre appareil devait devenir inutilisable quelque part dans le futur ou si vous n'en avez plus besoin, ne jetez pas l'appareil avec vos ordures ménagères, mais jetez-le de manière écologique. Videz soigneusement les réservoirs d'huile / de lubrifiant et de carburant et éliminez les restes dans un point de collecte ou une décharge spéciale. Veuillez également jeter l'appareil lui-même dans un point de collecte / recyclage approprié. Ce faisant, les pièces en plastique et en métal peuvent être séparées et recyclées. Les informations concernant l'élimination des matériaux et des

appareils sont disponibles auprès de votre administration locale.

GARANTIE

Ce produit est garanti conformément aux réglementations légales / nationales, en vigueur à compter de la date d'achat par le premier utilisateur. Les dommages imputables à l'usure normale, à une surcharge ou à une mauvaise manipulation seront exclus de la garantie. En cas de réclamation, veuillez envoyer la machine, complètement assemblée, à votre revendeur.

Type de chaîne	Diamètre de la lime	Angle de la plaque supérieure	Angle bas	Angle de tête (55°)	Jauge de profondeur standard	
						
		Angle de rotation de l'étau	Vise angle	Angle latéral		
E1	3,2mm	30°	10°	55°	0,52mm	
						
Jauge de profondeur de l'étau			Lime			

Numéro de l'article

48 299

Modèle

GCS 325T PLUS

Moteur

Déplacement du cylindre

cc

25,4

Alésage de cylindre

mm

35

Course

mm

28

Vitesse au ralenti

régime

3.100±500

Puissance maximale du moteur

kw / hp

1 / 1,34

Vitesse maximale du moteur

régime

11.000

Numéro de l'article		48 299
Modèle		GCS 325T PLUS
Système d'allumage		
Espace électrode, mm	mm	0,6-0,7
Système de carburant et de lubrification		
Capacité du réservoir de carburant	litre	0,18
Capacité du réservoir d'huile	litre	0,14
Type de pompe à huile		Pompe piston
Poids		
Tronçonneuse sans barre ni chaîne	kg	2,5
Émissions sonores		
Niveau de puissance sonore, mesuré	dB(A)	99,2
Niveau de puissance sonore, garanti	Lwa dB	113
Niveaux sonores		
Niveau de pression sonore équivalent à l'oreille de l'opérateur	dB(A)	99
Niveaux de vibration équivalents		
Poignée avant	m/s ²	9
Poignée arrière	m/s ²	8,5
Chaîne / barre		
Barre length	cm	25cm
Hauteur	pouce	1/4"
Minceur des liaisons d'entraînement	mm/pouce	1,1 / 0,043"
Max. vitesse de chaîne	m/s	21

ITALIANO

IDENTIFICAZIONE

1. Catena di seghe
2. Barra guida
3. Protezione anteriore della mano
4. Trigger di limitazione
5. Leva di blocco del grilletto a farfalla
6. Maniglia posteriore
7. Lampadina Primer
8. Coperchio del filtro dell'aria
9. Fibbia di blocco
10. Maniglia di avviamento
11. Candela
12. Maniglia anteriore
13. Serbatoio dell'olio
14. Serbatoio del carburante
15. Guida bar fobbard
16. Interruttore motore
17. Cattura catena
18. Vite tendicatena
19. Coperchio a frizione
20. Manopola choke

REGOLE GENERALI DI SICUREZZA

Leggere attentamente questo manuale prima di utilizzare la motosega e attenersi a tutte le istruzioni di sicurezza, al fine di prevenire lesioni e danni. Si prega di inoltrare queste istruzioni di sicurezza a qualsiasi altra persona che utilizza la motosega. Usa sempre il tuo buon senso per evitare tutte le situazioni considerate al di là delle tue capacità. Non esitate a contattarci se avete domande sull'uso delle motoseghe. Ti forniremo consigli e assistenza su come utilizzare la motosega in modo sicuro.

EQUIPAGGIAMENTO PER LA PROTEZIONE PERSONALE

Usare sempre dispositivi di protezione individuale come occhiali di sicurezza, casco con visiera, guanti protettivi, indumenti protettivi da tagli a catena, stivali protettivi e protezioni per l'udito.

DOTAZIONI DI SICUREZZA SULLA MOTOSEGA

Protezione manuale e freno catena

La motosega è dotata di un freno per catena (Fig. 16) progettato per arrestare il movimento della catena, in caso di contraccolpo. Il freno catena è stato progettato per prevenire e ridurre il rischio di incidenti. Assicurarsi che la zona di contraccolpo della barra non tocchi mai alcun oggetto. Il freno catena può essere attivato manualmente (spinta in avanti) manualmente o automaticamente per inerzia, quando la motosega colpisce un oggetto verso il basso. L'attivazione del freno catena si ottiene con un movimento molto improvviso e violento del paramano, dovuto al contraccolpo. Il paramano è anche usato per proteggere la mano che tiene l'impugnatura anteriore, dal rischio di colpire la catena, se la mano perde l'impugnatura dall'impugnatura. Il freno catena è anche usato come freno di stazionamento e deve essere inserito prima di avviare la motosega. Il freno della catena deve essere disattivato immediatamente all'avvio della motosega.

Collettore a catena

Il fermacatena viene utilizzato per catturare la catena se salta fuori dalla barra, a causa di un'attenzione inadeguata della catena. Il fermacatena protegge l'utente da gravi lesioni. Se il fermo della catena è danneggiato, deve essere sostituito con uno nuovo.

Sistema di vibrazione

La motosega è dotata di elementi antivibranti, per ridurre al minimo le vibrazioni e facilitare l'operazione. Il sistema antivibrante protegge inoltre l'utente da vibrazioni eccessive, che possono causare Danni circolatori o nervosi. I sintomi del danno circolatorio sono perdita della sensibilità delle dita, dolore, perdita di forza e alterazioni del colore della pelle. La vibrazione generata dal motore e dall'attrezzatura di taglio viene ridotta e impedita al trasferimento sulle impugnature della motosega. Più duro è il taglio del legno, maggiore è il livello di vibrazione e più affilata è la catena, minore è il livello di vibrazione.

ATTREZZATURE DA TAGLIO

I denti della catena devono essere sempre ben affilati. Catena danneggiata o non affilata correttamente, può aumentare il rischio di incidenti. Gestire e mantenere il misuratore di profondità corretto, poiché un gioco troppo ampio aumenta il rischio di contraccolpo. Gestire e mantenere la corretta tensione della catena. La catena allentata può causare il salto della catena fuori dalla barra e l'usura della barra, della catena e del pignone. Gestire e lubrificare correttamente l'attrezzatura di taglio. Una scarsa lubrificazione della catena può causare la rottura della catena, l'usura della barra e la trasmissione del pignone.

Affilatura a catena

Se non si ha familiarità con l'affilatura della catena della motosega, si propone di affilarla professionalmente presso il centro di assistenza più vicino. Usare sempre occhiali e guanti protettivi quando si affila la catena. Utilizzare una lima rotonda per affilare le lame con tratti verso l'esterno. Dopo aver affilato le frese, assicurarsi che abbiano la stessa larghezza e lunghezza. Il limitatore di profondità deve essere abbassato dopo aver affilato le lame, usando una lima piatta.

Tendicatena

La tensione della catena è molto importante e deve essere controllata prima di utilizzare la motosega. Migliore è la tensione della catena, migliori i tagli che fa! (Vedi barra di raccordo e catena)

Lubrificazione a catena

La motosega è dotata di un sistema di lubrificazione automatica della catena. Utilizzare sempre olio per catene indicato per la lubrificazione di catene e barre, con una buona aderenza alla catena. L'olio motore di scarto non deve mai essere utilizzato, poiché può essere pericoloso per l'utente e può causare danni alla pompa dell'olio.

INSTALLAZIONE DELLA BARRA GUIDA E DELLA CATENA DI SEGHE

Un pacchetto di unità sega standard contiene gli elementi come mostrato di seguito (Fig. 1):

- (Fig. 1.1) Unità di potenza (Fig. 1.2) Catena di seghe
- (Fig. 1.3) Barra guida (Fig. 1.4) Barra guida scabbard
- (Fig. 1.5) Chiave a spina

Aprire la scatola e installare la barra guida e la catena di seghe sull'unità di alimentazione come segue.

AVVISO

La catena di seghe ha bordi molto taglienti. Utilizzare guanti protettivi per la sicurezza.

1. Tirare la guardia verso la maniglia anteriore per verificare che il freno a catena non sia in su.
2. Sciogliere un dado (Fig. 2.1) e rimuovere il coperchio della catena (Fig. 2.2). Fissare il paraurti, se non già assemblato, a spillo (Fig. 2.3) con due viti (Fig. 2.4) in prima linea della sega a catena (Fig. 2).

IMPORTANTE

Il paraurti a spillo appartiene alla motosega. Deve essere avvitato sulla motosega prima del primo utilizzo. Rimuovere il distanziale (Fig. 3.1) dalla motosega (Fig. 3).

3. Montare la barra di guida (Fig. 4.2) sul gruppo motore, quindi spingere la barra di guida verso la frizione (Fig. 4).
4. Adattare la catena al pignone mentre si monta la catena intorno alla barra di guida (Fig. 5).

NOTA Prestare attenzione alla direzione corretta della catena di seghe.

5. Regolare la posizione dell'unghia tensionere a catena, quindi inserire l'unghia tensionere nel foro inferiore della barra guida (Fig. 6.3). Montare il coperchio della frizione sull'unità di potenza e fissare il dado di montaggio alla tenuta delle dita (Fig. 7). Tenendo in mano la punta della barra, regolare la tensione della catena girando la vite del tensionere fino a quando le cinghie della cravatta non toccano solo il lato inferiore della rotaia della barra (Fig. 8).
6. Stringere il dado in modo sicuro con la punta del bar alzata (12 - 15 Nm). Quindi controllare la catena per la rotazione liscia e la tensione corretta mentre si muove a mano. Se necessario, riadattare con il coperchio della catena allentato. Ruotare la vite tensione (Fig. 6.4) in senso orario per stringere la catena, girare la vite tensione (Fig. 6.4) in senso antiorario per allentare la catena.
7. Controllare la tensione della catena di seghe. Usa la mano per sollevare il collegamento a catena che posiziona al centro della lunghezza di taglio con una forza approssimativa di 10N. Se il collegamento a catena esce dalla rotaia della barra guida intera, è necessario ritirare la catena.

IMPORTANTE È molto importante mantenere la corretta tensione a catena. L'usura rapida della barra guida o della catena che si stacca facilmente può essere causata da una tensione impropria. Soprattutto quando si utilizza una nuova catena, prendersi cura di esso dal momento che dovrebbe espandersi quando usato per la prima volta.

RIFORMIMENTO E LUBRIFICAZIONE

La motosega è dotata di motore a 2 tempi; pertanto, si deve sempre utilizzare una miscela di olio di benzina 95 RON e olio per motori a 2 tempi. È molto impor-

tante prestare attenzione alla miscela di carburante utilizzata, poiché è necessario ottenere una miscela accurata di olio e carburante. Piccole quantità di olio e miscela di carburante con piccole imprecisioni, possono influire sul rapporto della miscela, con conseguente surriscaldamento del motore e gravi danni al motore. Si consiglia di utilizzare una miscela con carburante con ottano superiore solo quando si lavora continuamente ad alti regimi.

olio per due tempi

Deve essere utilizzato olio a 2 tempi appositamente formulato per motori a 2 tempi raffreddati ad aria. Non utilizzare olio a 2 tempi per motori raffreddati ad acqua. Non usare mai olio di scarsa qualità e olio per motori a 4 tempi.

Rapporto di miscelazione

Per risultati e prestazioni ottimali, il rapporto di miscelazione è 2,5% con classe di olio JASO FC o ISO EGC al minimo, formulato per motori a 2 tempi raffreddati ad aria.

Benzina, litro	Olio per 2 tempi, litro 2,5% (1:40)
4	0,10lt (100ml)
8	0,20lt (200ml)

Utilizzare sempre un contenitore pulito per il carburante prima di miscelare il carburante. Mescolare e agitare accuratamente la miscela di carburante, prima di riempire il serbatoio del carburante della macchina. Non utilizzare la miscela di carburante conservata per più di un mese. Il serbatoio del carburante della macchina deve essere svuotato prima di riportarlo.

olio per catena

Utilizzare olio per catene speciale con buone caratteristiche di adesione. L'olio motore di scarto non deve mai essere utilizzato, poiché può essere pericoloso per l'utente e può causare danni alla pompa dell'olio. La motosega è stata progettata in modo tale da riempire il serbatoio dell'olio ogni volta che si svuota il serbatoio del carburante.

NOTA: spegnere sempre il motore e lasciarlo raffreddare, prima di fare rifornimento. Non fumare mai durante il processo di rifornimento.

NOTA: non utilizzare mai la motosega con il 100% di benzina, senza aggiungere olio per 2 tempi.

MOTORE DI AVVIATORE

1. Rimuovere il tappo del carburante e il tappo dell'olio.
2. Riempire il serbatoio del carburante e dell'olio (Fig. 9.1) fino all'80% della piena capacità.
3. Fissare il tappo del carburante e il serbatoio dell'olio (Fig. 9.2) in modo sicuro e pulire qualsiasi fuoriuscita di carburante intorno all'unità.
4. Posizionare l'interruttore (Fig. 10.1) nella posizione "I".
5. Ruotare la manopola dello strozzamento in senso antiorario (Fig. 10.2). La strozzatura si chiuderà e la leva dell'acceleratore verrà quindi impostata nella posizione di partenza.
6. Spingere continuamente la lampadina del primer (Fig. 11.1) fino a quando il carburante arriva nella lampadina.

NOTA

Quando si riavvia immediatamente dopo l'arresto del motore. Impostare lo strozzatore in posizione aperta. Una volta che la manopola dello strozzamento è stata ruotata in senso antiorario, tornerà in posizione di corsa se si preme il grilletto dell'acceleratore (Fig. 12.1) o si ruota la manopola dello strozzamento in senso orario con il dito. Quando si desidera riportare la manopola dello strozzatore nella posizione operativa, premere invece il grilletto dell'acceleratore (Fig. 12.1).

7. Spingere la maniglia anteriore verso il basso verso l'anteriore per attivare il freno a catena.
8. Tenendo l'unità sega al sicuro a terra, tirare vigorosamente la fune di avviamento (Fig. 13).
9. Quando si verifica la cottura, ruotare manualmente la manopola dello strozzatore in senso orario. Quindi tirare di nuovo la corda di avviamento fino all'avvio del motore. Premere immediatamente il grilletto dell'acceleratore per consentire all'acceleratore di tornare in posizione inattiva. L'impostazione manuale dello strozzatore può impostare temporaneamente l'acceleratore in una posizione parzialmente aperta per aiutare l'avvio.
10. Tirare la maniglia anteriore verso la maniglia anteriore per rilasciare il freno. Quindi, lasciare che il motore si smonti con il grilletto premuto leggermente.

AVVISO Prima di avviare il motore, assicurarsi che la catena di sega non sta contattando nulla. Assicurarsi che il freno a catena sia sempre attivato prima di ogni partenza.

CONTROLLO DELL'APPROVVIGIONAMENTO DI OLIO

Dopo aver avviato il motore, eseguire la catena a velocità media e vedere se l'olio a catena è disperso come mostrato nella figura 14.

IMPORTANTE Il serbatoio dell'olio dovrebbe diventare quasi vuoto quando il carburante viene esaurito. Assicurarsi di riempire il serbatoio dell'olio ogni volta che si rifornisce la sega.

CONTROLLO FUNZIONALE DELLA FRIZIONE

Prima di ogni utilizzo, si conferma che non c'è movimento della catena quando la catena ha visto in esecuzione a velocità al limite.

TECNICHE DI LAVORO

Seguire i punti di seguito indicati, per eseguire i lavori di taglio in sicurezza, senza incidenti e lesioni.

- ▶ Se sei stanco non usare la motosega.
- ▶ Non usare la motosega in caso di maltempo.
- ▶ Tenere sempre la motosega con entrambe le mani mentre il motore è in funzione (Fig. 25).
- ▶ Accertarsi che l'area circostante sia libera da ostacoli, che potrebbero interrompere durante il taglio o che potrebbero essere feriti dalla caduta di alberi o rami.
- ▶ Accertarsi di stare fermamente in piedi e che non c'è nulla che possa farti perdere l'equilibrio.
- ▶ Tenere presente che gli incidenti di contraccolpo si verificano principalmente durante gli arti (Fig. 27).
- ▶ Non tagliare mai ad altezza sopra le spalle e non tagliare mai con il naso della barra (Fig. 25).

- ▶ Non lavorare mai in piedi su una scala, su un albero o dove non si dispone di un terreno solido su cui stare (Fig. 26).
- ▶ Durante il taglio, utilizzare regimi elevati sul motore della motosega.
- ▶ Utilizzare il regime minimo dopo ogni taglio.
- ▶ Il taglio sulla corsa di spinta può essere pericoloso, poiché potrebbe verificarsi un contraccolpo.
- ▶ Accertarsi che la catena sia ben tesa, in modo da non ostruire durante il taglio. Se la catena si inceppa durante il taglio, arrestare immediatamente il motore della motosega. Usa una leva per sollevare il legno tagliato e liberarlo la motosega.
- ▶ Accertarsi che il legno non si spezzi durante il taglio (Fig. 28).
- ▶ Accertarsi che la catena non tocchi il terreno durante il taglio (Fig. 29).

Regole di sicurezza su come evitare il contraccolpo
Il contraccolpo è un movimento molto improvviso della motosega. Succede quando l'utente taglia un oggetto con il quadrante superiore del naso della barra e la barra della motosega salta fuori dall'oggetto, verso l'utente. Il contraccolpo può diventare molto pericoloso per l'utente e, pertanto, essere estremamente cauti durante gli arti ed evitare di contattare il tronco con il naso della barra. Inoltre, sii molto cauto con gli arti sotto tensione, poiché possono spostarsi all'indietro e verso di te come una molla, il che può causare gravi lesioni.

MANUTENZIONE**AVVISO**

Prima di pulire, ispezionare o riparare l'unità, assicurarsi che il motore si sia fermato e sia freddo. Scollegare la spina della scintilla per evitare l'avvio accidentale. Seguire le istruzioni per eseguire la manutenzione regolare, le procedure di pre-funzionamento e le routine di manutenzione quotidiana. Una manutenzione non corretta può causare gravi danni alla macchina.

MANUTENZIONE DOPO OGNI UTILIZZO**1. FILTRO DELL'ARIA**

La polvere sul filtro più pulito può essere rimossa lavando in una soluzione di detersivo per la casa e acqua tiepida. Per pulire lo sporco nelle maglie, rimuovere il coperchio più pulito e spazzolare in benzina. Quando si utilizza aria compressa, soffiare dall'interno. (Fig. 15.1). Fibbia filtro aria (Fig. 15.2) coperchio del filtro dell'aria.

2. SPRUZZATORE DI OLIO

Smontare la barra guida e controllare la presa di olio per l'intasamento. (Fig. 19.1) Uscita oleante (Fig. 19.2) Ingresso oleante

3. BARRA GUIDA

Quando la barra guida è smontata, rimuovere la segatura nella scanalatura della barra (Fig. 21) e l'ingresso oliante (Fig. 18).

4. ALTRI

Controllare la perdita di carburante e i fissaggi allentati e i danni alle parti principali, in particolare le articolazioni della maniglia e il montaggio della barra guida. Se vengono riscontrati difetti, assicurarsi di

averli riparati prima di funzionare di nuovo.

PUNTI DI SERVIZIO PERIODICI

1. ALETTE A CILINDRO

L'intasamento della polvere tra le pinne del cilindro causerà il surriscaldamento del motore. Controllare periodicamente le alette dopo aver rimosso il coperchio della frizione, quindi utilizzare l'aria a pressione per pulire le alette del cilindro.

2. FILTRO CARBURANTE

(a) Utilizzando un gancio di filo, togliere il filtro dalla porta di riempimento.

b) Smontare il filtro e lavarlo con la benzina, oppure sostituirlo con uno nuovo, se necessario.

IMPORTANTE

- ▶ Dopo aver rimosso il filtro, utilizzare un pizzico per tenere l'estremità del tubo di aspirazione.
- ▶ Quando si assembla il filtro, fare attenzione a non consentire il filtro fibre o polvere all'interno del tubo di aspirazione.

3. SPINA SPARK

Pulire gli elettrodi con una spazzola metallica e se necessario ripristinare la distanza a 0,65 mm (Fig. 23). Tipo di spina Spark: NGK CMR7H

4. PIGNONE

Verificare la presenza di crepe e di usura eccessiva che interferisce con l'azionamento a catena. Se l'usura è considerevole, sostituirlo con uno nuovo. Non montare mai una nuova catena su uno sprocket usurato, o una catena usurata su una nuova pignone (Fig. 24).

5. MOLLE ASSORBENTI ANTERIORI E POSTERIORI

Sostituire se la molla dell'assorbitore anteriore o posteriore è danneggiata.

IMPORTANTE

Utilizzare solo i pezzi di ricambio che hanno indicato in questo manuale. Utilizzare l'altro pezzo di ricambio può causare gravi lesioni.

CATENA DI SEGHE

AVVISO

È molto importante per il funzionamento liscio e sicuro per mantenere le frese sempre taglienti.

Le frese devono essere affilate quando:

- ▶ La segatura diventa simile a una polvere.
- ▶ Hai bisogno di forza in più per essere visto.
- ▶ La via del taglio non va dritta.
- ▶ Aumenta la vibrazione.
- ▶ Aumenta il consumo di carburante.

STANDARD DI IMPOSTAZIONE DELLA FRESA:

Assicurarsi di indossare guanti di sicurezza.

Prima del deposito:

- ▶ Assicurarsi che la catena di seghe sia tenuta in modo sicuro (Fig. 20).
- ▶ Assicurarsi che il motore sia arrestato.
- ▶ Utilizzare un lima rotondo di dimensioni adeguate per la catena.

Dimensione del lima: 3,2mm per tutti i modelli.

Posizionare la lima sulla fresa e spingere dritto in avanti.

Mantenere la posizione del file come illustrato. Dopo aver impostato ogni fresa, controllare il misuratore di profondità e archivarlo al livello corretto, come illustrato.

IMPORTANTE

Assicurarsi di arrotondare il bordo anteriore per ridurre la possibilità di rottura di kickback o tie-strap. Assicurarsi che ogni fresa abbia gli stessi angoli di lunghezza e spigolo illustrati.

BARRA GUIDA

- ▶ Invertire la barra di tanto in tanto per evitare usura parziale.
 - ▶ La guida del bar dovrebbe essere sempre un quadrato. Controllare l'usura (Fig. 22) della rotaia del bar. Applicare un righello alla barra e all'esterno di una fresa. Se si osserva un divario tra di loro, la rotaia è normale. In caso contrario, la rotaia del bar è indossa-ta. Tale barra deve essere corretta o sostituita.
- (1) Righello (2) Gap (3) Nessuna distanza

CONSERVAZIONE

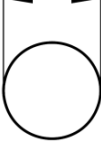
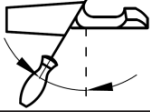

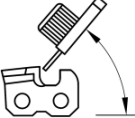
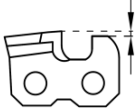
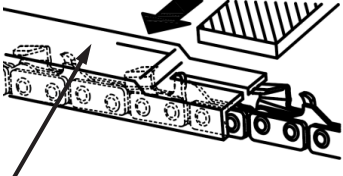

1. Svuotare il serbatoio del carburante e far girare il motore senza carburante.
2. Svuotare il serbatoio dell'olio.
3. Pulire l'intera unità.
4. Conservare l'unità in un luogo asciutto fuori dalla portata dei bambini

SMALTIMENTO RIFIUTI E TUTELA DELL'AMBIENTE

Non versare mai residui di lubrificante per catene o miscela di carburante per 2 tempi nel sistema di drenaggio o fognatura o nel terreno, ma smaltirli in modo appropriato ed ecologico, ad esempio in un punto di raccolta speciale o in una discarica. Se il tuo dispositivo dovesse diventare inutilizzabile da qualche parte in futuro o non ne hai più bisogno, non smaltirlo insieme ai tuoi rifiuti domestici, ma smaltiscilo in modo ecologico. Svuotare completamente i serbatoi dell'olio / lubrificante e del carburante e smaltire i residui in un punto di raccolta o scarico speciale. Si prega inoltre di smaltire il dispositivo stesso presso un punto di raccolta / riciclaggio appropriato. In questo modo, le parti in plastica e metallo possono essere separate e riciclate. Le informazioni relative allo smaltimento di materiali e dispositivi sono disponibili presso l'amministrazione locale.

GARANZIA

Questo prodotto è garantito in conformità con le normative legali / specifiche del paese, in vigore dalla data di acquisto da parte del primo utente. Saranno esclusi dalla garanzia i danni imputabili alla normale usura, sovraccarico o uso improprio. In caso di reclamo inviare la macchina, completamente assemblata, al tuo rivenditore.

Tipo di catena	Diametro della lima	Angolo piastra superiore	Angle bas	Angolo della testa (55°)	Profondimetro standard
					
		Angolo di rotazione della morsa	Angolo di mira	Angolo laterale	
E1	3,2mm	30°	10°	55°	0,52mm
					
Profondimetro				Lima	

Codice Prodotto

48 299

Modello

GCS 325T PLUS

Motore

Cilindrata del cilindro

cc

25,4

Foro cilindro

mm

35

Corsa

mm

28

Velocità di inattività

giri/min

3.100±500

Potenza massima del motore

kW/hp

1 / 1,34

Velocità massima del motore

giri/min

11.000

Sistema di accensione

Spazio elettrodo

mm

0,6-0,7

Sistema di carburante e lubrificazione

Capacità del serbatoio del carburante

litro

0,18

Capacità del serbatoio dell'olio

litro

0,14

Tipo di pompa dell'olio

Pompa a stantuffo

Codice Prodotto	48 299	
Modello	GCS 325T PLUS	
Peso		
Motosega senza barra o catena	kg	2,5
Emissioni sonore		
Livello di potenza sonora, misurato	dB(A)	99,2
Livello di potenza sonora, garantito	Lwa dB	113
Livelli sonori		
Livello di pressione sonora equivalente all'orecchio dell'operatore	dB(A)	99
Livelli di vibrazione equivalenti		
Maniglia anteriore	m/s ²	9
Maniglia posteriore	m/s ²	8,5
Catena / barra		
Lunghezza della barra	cm	25cm
Passo	pollice	1/4"
Diradamento dei collegamenti di azionamento	mm/pollice	1,1 / 0,043"
Velocità massima della catena	m/s	21

ΕΛΛΗΝΙΚΑ

ΤΑΥΤΟΠΟΙΗΣΗ

1. Αλυσίδα πριονιού
2. Λάμα
3. Προστατευτικό χεριού, φρένο αλυσίδας
4. Σκανδάλη γκαζιού
5. Ασφάλεια σκανδάλης γκαζιού
6. Πίσω λαβή
7. Τρόπος καυσίμου (πουάρ)
8. Κάλυμμα φίλτρου αέρα
9. Πόρπη κλειδώματος
10. Λαβή εκκίνησης
11. Μπουζί
12. Μπροστινή λαβή
13. Δοχείο λαδιού
14. Δοχείο καυσίμου
15. Κάλυμμα λάμας
16. Διακόπτης κινητήρα
17. Συγκρατητής αλυσίδας
18. Ήβιδα ρύθμισης αλυσίδας
19. Κάλυμμα συμπλέκτη
20. Τσοκ

ΓΕΝΙΚΟΙ ΚΑΝΟΝΕΣ ΑΣΦΑΛΕΙΑΣ

Διαβάστε προσεκτικά αυτό το εγχειρίδιο πριν χρησιμοποιήσετε το αλυσοπρίονο και προσέξτε όλες τις οδηγίες ασφαλείας, προκειμένου να αποφύγετε τυχόν τραυματισμούς και ζημιές. Προωθήστε αυτές τις οδηγίες ασφαλείας σε οποιοδήποτε άλλο άτομο που χρησιμοποιεί το αλυσοπρίονο. Χρησιμοποιείτε πάντα την κοινή λογική για να αποφύγετε όλες τις καταστάσεις που θεωρούνται πέρα από τις ικανότητές σας. Μη διαστάσετε να επικοινωνήσετε μαζί μας εάν έχετε απορίες σχετικά με τη χρήση αλυσοπρίονων. Θα σας παρέχουμε συμβουλές καθώς και βοήθεια σχετικά με τον τρόπο ασφαλούς χρήσης του αλυσοπρίονου.

ΤΑ ΜΕΣΑ ΑΤΟΜΙΚΗΣ ΠΡΟΣΤΑΣΙΑΣ

Χρησιμοποιείτε πάντα ατομικό προστατευτικό εξοπλισμό όπως γυαλιά ασφαλείας, κράνος με γείσο, προστατευτικά γάντια, προστατευτικό ρούχα από αλυσίδες, μπότες προστασίας και προστασία ακοής.

ΕΞΟΠΛΙΣΜΟΣ ΑΣΦΑΛΕΙΑΣ ΑΛΥΣΟΠΡΙΟΝΟΥ

Προστατευτικό χεριός και φρένο αλυσίδας

Το αλυσοπρίονο είναι εφοδιασμένο με φρένο αλυσίδας (Εικ. 16) σχεδιασμένο για να σταματά την κίνηση της αλυσίδας, σε περίπτωση κλωτσίματος του αλυσοπρίονου. Το φρένο αλυσίδας έχει σχεδιαστεί για να αποτρέπει και να μειώνει τον κίνδυνο ατυχημάτων. Βεβαιωθείτε ότι η λάμα του αλυσοπρίονου δεν αγγίζει ποτέ αντικείμενα. Το φρένο αλυσίδας μπορεί να ενεργοποιηθεί είτε χειροκίνητα (ώθηση προς τα εμπρός) είτε αυτόματα με την αδράνεια, όταν το αλυσοπρίονο χτυπά ένα αντικείμενο προς τα κάτω. Η ενεργοποίηση του φρένου αλυσίδας επιτυγχάνεται με πολύ ξαφνική και βίαιη κίνηση του προφυλακτήρα χεριών, λόγω της βαρύτητας. Το προστατευτικό χεριών χρησιμοποιείται επίσης για να προστατεύσει το χέρι που κρατά την μπροστινή λαβή, από τον κίνδυνο να χτυπήσει την αλυσίδα, εάν το χέρι χάσει την επαφή με τη λαβή. Το φρένο αλυσίδας χρησιμοποιείται επίσης ως χειρόφρενο και πρέπει να ενεργοποιηθεί πριν ξεκινήσετε το

αλυσοπρίονο. Το φρένο αλυσίδας πρέπει να απενεργοποιηθεί αμέσως μόλις ξεκινήσει το αλυσοπρίονο.

Συγκρατητής αλυσίδας

Ο συγκρατητής αλυσίδας χρησιμοποιείται για να πιάσει την αλυσίδα εάν βγει από τη λάμα, λόγω μη προβλεπόμενης σύσφιξης της αλυσίδας. Η αλυσίδα προστατεύεται από χρήση από σοβαρό τραυματισμό. Εάν τραυματιστεί η αλυσίδα, πρέπει να αντικατασταθεί με καινούργια.

Σύστημα απόσβεσης κραδασμών

Το αλυσοπρίονο είναι εξοπλισμένο με αντικραδασμικά στοιχεία, ώστε να ελαχιστοποιείται η δόνηση και να διευκολύνεται η λειτουργία του. Το σύστημα κατά των κραδασμών προστατεύει επίσης τον χρήστη από υπερβολικές δονήσεις, οι οποίες μπορεί να προκαλέσουν βλάβη στο κυκλοφορικό σύστημα ή νευρική βλάβη. Τα συμπτώματα της βλάβης του κυκλοφορικού είναι η απώλεια αίσθησης των δακτύλων, ο πόνος, η απώλεια δύναμης και οι αλλαγές στο χρώμα του δέρματος. Η δόνηση που δημιουργείται από τον κινητήρα και τον εξοπλισμό κοπής μειώνεται και αποτρέπει να μεταφερθεί στις λαβές του αλυσοπρίονου. Όσο πιο σκληρό είναι το ξύλο κοπής, τόσο υψηλότερο είναι το επίπεδο κραδασμών και όσο πιο έντονη είναι η αλυσίδα, τόσο χαμηλότερο είναι το επίπεδο δόνησης.

ΕΞΟΠΛΙΣΜΟΣ ΚΟΠΗΣ

Τα δόντια της αλυσίδας πρέπει πάντα να είναι σε καλή κατάσταση. Η αλυσίδα που έχει υποστεί ζημιά ή δεν είναι σωστά τροχισμένη, μπορεί να αυξήσει τον κίνδυνο ατυχημάτων. Διατηρήστε το σωστό ύψος στον οδηγό βάθους, καθώς το πολύ μεγάλο κενό αυξάνει τον κίνδυνο κλοτσήματος του αλυσοπρίονου. Διαχειριστείτε και διατηρήστε το σωστό τέντωμα της αλυσίδας. Η χαλαρή αλυσίδα μπορεί να οδηγήσει σε πήδημα της αλυσίδας επάνω στη λάμα και ως εκ τούτου, τη φθορά της λάμας της αλυσίδας και του γραναζιού κίνησης. Διαχειριστείτε και λιπάνετε σωστά τον εξοπλισμό κοπής. Η κακή λίπανση της αλυσίδας μπορεί να οδηγήσει σε θραύση της αλυσίδας, φθορά στη λάμα και το γρανάκι της κίνησης.

Τρόχισμα της αλυσίδας

Εάν δεν είστε εξοικειωμένοι με το τρόχισμα της αλυσίδας του αλυσοπρίονου σας, προτείνουμε να απευθυνθείτε σε επαγγελματία.

Χρησιμοποιείτε πάντα προστατευτικά γυαλιά και γάντια όταν τροχίζετε την αλυσίδα. Χρησιμοποιήστε στρογγυλή λίμα για να ακονίσετε τα δόντια της αλυσίδας με κινήσεις προς τα έξω. Μετά το τρόχισμα των δοντιών της αλυσίδας, βεβαιωθείτε ότι έχουν το ίδιο πλάτος και μήκος. Ο οδηγός βάθους πρέπει να μειωθεί αφού τροχίσετε τα δόντια της αλυσίδας, με τη χρήση επίπεδης λίμας.

Τέντωμα αλυσίδας

Το τέντωμα της αλυσίδας είναι πολύ σημαντικό και πρέπει να ελέγχεται πριν από τη λειτουργία του αλυσοπρίονου. Όσο καλύτερη είναι τεντωμένη η αλυσίδα, τόσο καλύτερη είναι η κοπή που κάνει! (Βλέπε τοποθέτηση λάμας και αλυσίδας)

Λίπανση αλυσίδας

Το αλυσοπρίονο είναι εξοπλισμένο με αυτόματο σύστημα λίπανσης της αλυσίδας. Χρησιμοποιείται πάντα ενδεδειγμένο λάδι για τη λίπανση της αλυσίδας και της λάμας, το οποίο έχει καλή πρόσφυση στην αλυσίδα.

Το χρησιμοποιημένο λάδι κινητήρα δεν πρέπει ποτέ να χρησιμοποιείται, καθώς μπορεί να είναι επικίνδυνο για τον χρήστη και μπορεί να προκαλέσει ζημιά στην αντλία λαδιού.

ΕΓΚΑΤΑΣΤΑΣΗ ΛΑΜΑΣ ΚΑΙ ΑΛΥΣΙΔΑΣ

Η συσκευασία ενός αλυσοπριόνου περιέχει τα παρακάτω: (Εικ. 1)

- (Εικ. 1.1) Αλυσοπριόνιο (Εικ. 1.2) Αλυσίδα πριονιού (Εικ. 1.3) Λάμα (Σχ. 1.4) Θήκη λάμας (Εικ. 1.5) Μπουζόκλειδο

Ανοίξτε το καπάκι εγκαταστήστε τη λάμα και την αλυσίδα του αλυσοπριόνου στο αλυσοπριόνιο, ως εξής.

ΠΡΟΕΙΔΟΠΟΙΗΣΗ

Η αλυσίδα του αλυσοπριόνου έχει πολύ αιχμηρές άκρες. Χρησιμοποιήστε προστατευτικά γάντια για ασφάλεια.

1. Τραβήξτε τη λαβή για να ελέγξετε ότι το φρένο αλυσίδας εάν είναι ενεργοποιημένο.
2. Χαλαρώστε το παξιμάδι (Εικ.2.1) και αφαιρέστε το κάλυμμα του συμπλέκτη (Εικ. 2.2). Στερεώστε τον οδοντωτό προφυλακτήρα, εάν δεν έχει ήδη συναρμολογηθεί, (Εικ. 2.3) με δύο βίδες (Εικ.2.4) στο προστιθέμερο του αλυσοπριόνου (Εικ. 2).

ΣΗΜΑΝΤΙΚΟ

Ο οδοντωτός προφυλακτήρας ανήκει στο αλυσοπριόνιο και πρέπει να βιδωθεί επάνω στο αλυσοπριόνιο πριν από την αρχική χρήση του. Αφαιρέστε τον αποστάτη (Σχ. 3.1) από το αλυσοπριόνιο (Σχ. 3).

3. Τοποθετήστε τη λάμα (Σχ. 4.2) στο αλυσοπριόνιο και στη συνέχεια, μετακινήστε τη λάμα προς τον συμπλέκτη (Εικ. 4).
4. Προσαρμόστε την αλυσίδα στο γρανάζι, ενώ τοποθετείτε την αλυσίδα πριονιού γύρω από τη ράβδο οδηγού (Εικ.5).

ΣΗΜΕΙΩΣΗ Δώστε προσοχή στη σωστή κατεύθυνση της αλυσίδας πριονιού.

5. Ρυθμίστε τη θέση του νυχιού τεντωτήρα αλυσίδας και στη συνέχεια τοποθετήστε το νύχι στην κάτω οπή της λάμας (Εικ. 6.3). Τοποθετήστε το κάλυμμα του συμπλέκτη στο αλυσοπριόνιο και βιδώστε το παξιμάδι με τα δάχτυλα, έως ότου σφίξει (Εικ. 7). Ενώ κρατάτε το άκρο της λάμας προς τα επάνω, ρυθμίστε το τέντωμα της αλυσίδας περιστρέφοντας τη βίδα του τεντωτήρα, μέχρι να έρθει η αλυσίδα σε επαφή με την κάτω πλευρά της λάμας (Εικ. 8).
6. Σφίξτε καλά το παξιμάδι με το άκρο της λάμας τραβηγμένο προς τα επάνω (12 ~ 15 Nm). Στη συνέχεια, ελέγξτε την αλυσίδα για την ομαλή περιστροφή της και σωστό τέντωμα ενώ την περιστρέφετε με το χέρι. Εάν είναι απαραίτητο, ρυθμίστε ξανά με το κάλυμμα του συμπλέκτη χαλαρό. Γυρίστε τη βίδα του τεντωτήρα (Εικ. 6.4) δεξιόστροφα για να τεντώσετε την αλυσίδα, γυρίστε τη βίδα (Εικ. 6.4) του τεντωτήρα αριστερόστροφα για να χαλαρώσετε την αλυσίδα.
7. Ελέγξτε το τέντωμα της αλυσίδας του πριονιού. Χρησιμοποιήστε το χέρι σας για να ανυψώσετε την αλυσίδα από το μέσο του μήκους της λάμας, με δύναμη περίπου 10N. Εάν η αλυσίδα βγαίνει από τον οδηγό της λάμας, πρέπει να τεντώσετε ξανά την αλυσίδα

ΣΗΜΑΝΤΙΚΟ

Είναι πολύ σημαντικό να διατηρηθεί το σωστό τέντωμα της αλυσίδας. Η γρήγορη φθορά της λάμας ή της αλυσίδας που βγαίνει εύκολα μπορεί να προκληθεί από ακατάλληλο τέντωμα. Ειδικά όταν χρησιμοποιείτε μια καινούργια αλυσίδα, προσέξτε την καθώς μπορεί να ξεχειλώσει κατά την πρώτη χρήση.

ΚΑΥΣΙΜΟ ΚΑΙ ΛΙΠΑΝΣΗ

Το αλυσοπριόνιο είναι εξοπλισμένο με δίχρονο κινητήρα. Ως εκ τούτου, πρέπει πάντα να χρησιμοποιείται μίγμα καυσίμου με βενζίνη 95 RON και λάδι λίπανσης δίχρονου κινητήρα. Είναι πολύ σημαντικό να προσέχετε το μίγμα καυσίμου που χρησιμοποιείτε, καθώς πρέπει να ληφθεί υπόψη η ακριβής αναλογία του μίγματος. Λάθος ποσότητα λαδιού ή καυσίμου, μπορεί να επηρεάσει την αναλογία του μίγματος, η οποία μπορεί να οδηγήσει σε υπερθέρμανση του κινητήρα και σοβαρές ζημιές στον κινητήρα. Συνιστάται η χρήση μίγματος με καύσιμο περισσότερων οκτανίων, μόνο όταν εργάζεστε συνεχώς σε υψηλές στροφές.

Δίχρονο λάδι

Πρέπει να χρησιμοποιείτε ειδικά σχεδιασμένο λάδι για τη λίπανση αερόψυκτων δίχρονων κινητήρων. Μην χρησιμοποιείτε δίχρονο λάδι που προορίζεται για χρήση σε υδρόψυκτους κινητήρες. Ποτέ μη χρησιμοποιείτε κακή ποιότητα λαδιού ή λάδι λίπανσης τετράχρονου κινητήρα.

Αναλογία ανάμειξης

Για καλύτερα αποτελέσματα και απόδοση, η αναλογία μίξης είναι 2,5% με κατηγορία λαδιού JASO FC ή ISO EGC τουλάχιστον, σχεδιασμένη για αερόψυκτους δίχρονους κινητήρες.

Βενζίνη, λίτρο	Λάδι δίχρονου κινητήρα, λίτρο 2,5% (1:40)
4	0,10lt (100ml)
8	0,20lt (200ml)

Πάντα να χρησιμοποιείτε καθαρό δοχείο καυσίμου πριν αναμίξετε το καύσιμο με το λάδι. Ανακατέψτε και ανακινήστε καλά το μίγμα καυσίμου, πριν γεμίσετε το ρεζερβουάρ καυσίμου του μηχανήματος. Μη χρησιμοποιείτε μίγμα καυσίμου που είναι αποθηκευμένο για περισσότερο από ένα μήνα. Το δοχείο καυσίμου του μηχανήματος πρέπει να αδειάσει πριν από την αποθήκευση.

Λάδι αλυσίδας

Χρησιμοποιήστε λάδι για τη λίπανση της αλυσίδας με χαρακτηριστικά πρόσφυσης. Το χρησιμοποιημένο λάδι λίπανσης κινητήρα δεν πρέπει ποτέ να χρησιμοποιείται, καθώς μπορεί να είναι επικίνδυνο για τον χρήστη και μπορεί να προκαλέσει ζημιά στην αντλία λαδιού. Το αλυσοπριόνιο έχει σχεδιαστεί με τέτοιο τρόπο, όπου το δοχείο λαδιού πρέπει να αναποδοθεταί, κάθε φορά που το δοχείο καυσίμου αδειάζει.

ΣΗΜΕΙΩΣΗ Απενεργοποιείτε πάντα τον κινητήρα και να τον αφήνετε να κρυώσει, πριν τον ανεφοδιασμό. Μην καννίζετε ποτέ κατά τη διαδικασία ανεφοδιασμού.

ΣΗΜΕΙΩΣΗ Ποτέ μην χρησιμοποιείτε το αλυσοπριόνιο με 100% βενζίνη, χωρίς να προσθέτετε λάδι για λίπανση δίχρονου κινητήρα.

ΕΚΚΙΝΗΣΗ ΚΙΝΗΤΗΡΑ

- Ξεβιδώστε και αφαιρέστε την τάπα καυσίμου και την τάπα λαδιού.
- Γεμίστε το δοχείο καυσίμου (Εικ. 9.1) και το ρεζερβουάρ λαδιού στο 80% της πλήρους χωρητικότητας.
- Σφίξτε καλά την τάπα του δοχείου καυσίμου και του δοχείου λαδιού (Εικ. 9.2) και σκουπίστε καλά για τυκόν διαρροή καυσίμου γύρω από το αλυσοπρίονο.
- Βάλτε το διακόπτη (Εικ. 10.1) στη θέση «I».
- Περιστρέψτε το τσοκ αριστερόστροφα (Εικ. 10.2). Το τσοκ θα κλείσει και ο μοχλός γκαζιού θα ρυθμιστεί στη θέση εκκίνησης.
- Πιέστε την τρόμπα καυσίμου (πουάρ) (Εικ. 11.1) έως ότου εισέλθει καύσιμο στη φούσκα.

ΣΗΜΕΙΩΣΗ

- Κατά την ενεργή εκκίνηση αμέσως μετά τη διακοπή του κινητήρα. Ρυθμίστε τσοκ στην ανοικτή θέση. Μόλις το κομπί τσοκ γυρίσει αριστερόστροφα, θα επιστρέψει στη θέση λειτουργίας αν πατήσετε τη σκανδάλη του γκαζιού (Εικ. 12.1) ή περιστραφεί δεξιόστροφα με το δάχτυλό σας. Όταν θέλετε να επαναφέρετε το κομπί τσοκ στη θέση λειτουργίας, πιέστε τη σκανδάλη του γκαζιού (Εικ. 12.1).
- Πιέστε το προστατευτικό της μπροστινής λαβής προς τα κάτω για να ενεργοποιήσετε το φρένο της αλυσίδας.
 - Κρατώντας σταθερά τη μονάδα του πριονιού στο έδαφος, τραβήξτε δυνατά τη λαβή της χειρόμικας (Εικ. 13).
 - Όταν εκκινήσει ο κινητήρας, περιστρέψτε το τσοκ δεξιόστροφα. Τραβήξτε τη χειρόμικα ξανά μέχρι να εκκινήσει ο κινητήρας. Πιέστε αμέσως το μοχλό του γκαζιού για να επιτρέψετε στις στροφές λειτουργίας να επιστρέψουν στο ρελαντί. Λειτουργώντας το τσοκ μπορεί να ρυθμίσει προσωρινά το γκαζί σε μερικούς ανοιχτό για να βοηθήσει την εκκίνηση.
 - Τραβήξτε το προστατευτικό της μπροστινής λαβής προς τα πίσω, για να απελευθερώσετε το φρένο. Στη συνέχεια, αφήστε τον κινητήρα να ζεσταθεί με τη σκανδάλη τραβηγμένη ελαφρώς.

ΠΡΟΕΙΔΟΠΟΙΗΣΗ

Πριν ξεκινήσετε τον κινητήρα, βεβαιωθείτε ότι η αλυσίδα του πριονιού δεν έρχεται σε επαφή με τίποτα. Βεβαιωθείτε ότι το φρένο της αλυσίδας είναι πάντα ενεργοποιημένο, πριν από κάθε εκκίνηση.

ΕΛΕΓΧΟΣ ΠΑΡΟΧΗΣ ΛΑΔΙΟΥ

Μετά την εκκίνηση του κινητήρα, δουλέψτε τον κινητήρα στις μεσαίες στροφές λειτουργίας του και ελέγξτε εάν διασκορπίζεται το λάδι της αλυσίδας επάνω σε ένα σταθερό σημείο, κατά τη διάρκεια περιστροφής της (Εικ. 14).

ΣΗΜΑΝΤΙΚΟ Το δοχείο λαδιού θα πρέπει να αδειάζει κατά τη στιγμή που θα έχει σχεδόν εξαντληθεί το καύσιμο. Φροντίστε να ξαναγεμίσετε το δοχείο λαδιού, κάθε φορά που ανεφοδιάζετε το πριόνι με καύσιμο.

ΛΕΙΤΟΥΡΓΙΚΟΣ ΕΛΕΓΧΟΣ ΤΟΥ ΣΥΜΠΛΕΚΤΗ

Πριν από κάθε χρήση, πρέπει να επιβεβαιώσετε ότι δεν περιστρέφεται η αλυσίδα όταν το αλυσοπρίονο λειτουργεί με ταχύτητα ρελαντί.

ΤΕΧΝΙΚΕΣ ΕΡΓΑΣΙΑΣ

Ακολουθήστε τα παρακάτω σημεία, για να εκτελέσετε το κόψιμο με ασφάλεια, χωρίς ατυχήματα και τραυματισμούς.

- ▶ Εάν είστε κουρασμένοι, μη χρησιμοποιείτε το αλυσοπρίονο.
- ▶ Μη χρησιμοποιείτε το αλυσοπρίονο με άσχημες καιρικές συνθήκες.
- ▶ Κρατάτε πάντα το αλυσοπρίονο και με τα δύο χέρια (Εικ. 25), ενώ ο κινητήρας λειτουργεί.
- ▶ Βεβαιωθείτε ότι η περιοχή γύρω σας είναι απαλλαγμένη από εμπόδια, τα οποία μπορεί να σας διακόψουν ενώ κόβετε ή, μπορεί να τραυματιστούν από πτώση δέντρων ή κλαδιών.
- ▶ Βεβαιωθείτε ότι στέκεστε σταθερά και ότι δεν υπάρχει τίποτα γύρω σας, που θα σας κάνει να χάσετε την ισορροπία σας.
- ▶ Να γνωρίζετε ότι τα ατυχήματα κλωτσιμάτων συμβαίνουν συνήθως κατά τη διάρκεια του ξεκλαρίσματος (Εικ. 27).
- ▶ Ποτέ μην κόβετε σε ύψος πάνω από τους ώμους σας και ποτέ μην κόβετε με τη μύτη της λάμας (Εικ. 25).
- ▶ Ποτέ μην εργάζεστε επάνω σε σκάλα σε ένα δέντρο ή σε περίπτωση που δεν στηρίζετε σταθερά στο έδαφος (Εικ. 26). Χρησιμοποιήστε υψηλές στροφές στον κινητήρα του αλυσοπρίονου, ενώ κόβετε.
- ▶ Χρησιμοποιήστε την ταχύτητα ρελαντί μετά από κάθε κοπή.
- ▶ Το κόψιμο με το άνω μέρος της λάμας μπορεί να είναι επικίνδυνο, καθώς μπορεί να προκύψει κλότσημα του αλυσοπρίονου.
- ▶ Βεβαιωθείτε ότι η αλυσίδα είναι επαρκώς τεντωμένη, ώστε να μη φεύγει από τη λάμα κατά την κοπή. Εάν η αλυσίδα μπλοκάρει κατά τη διάρκεια της κοής, σταματήστε αμέσως τον κινητήρα του αλυσοπρίονου. Χρησιμοποιήστε έναν μοχλό για να σηκώσετε το κομμένο ξύλο και να απελευθερώσετε το αλυσοπρίονο.
- ▶ Βεβαιωθείτε ότι το ξύλο δεν θα σπάσει κατά την κοπή (Εικ. 28).
- ▶ Βεβαιωθείτε ότι η αλυσίδα δεν θα αγγίξει το έδαφος κατά την κοπή (Εικ. 29).

ΚΑΝΟΝΕΣ ΑΣΦΑΛΕΙΑΣ ΠΩΣ ΝΑ ΑΠΟΦΥΓΕΤΕ ΤΟ ΚΛΟΤΣΗΜΑ ΤΟΥ ΑΛΥΣΟΠΡΙΟΝΟΥ

Το κλότσημα του αλυσοπρίονου είναι μια ξαφνική κίνηση του αλυσοπρίονου προς τα επάνω. Συμβαίνει όταν ο χρήστης κόβει ένα αντικείμενο με το άνω τμήμα της μύτες της ράβδου και η λάμα πηδά από το αντικείμενο, προς τον χρήστη. Το κλότσημα του αλυσοπρίονου μπορεί να γίνει πολύ επικίνδυνο για τον χρήστη και ως εκ τούτου, να είστε εξαιρετικά προσεκτικοί κατά το ξεκλαρίσμα και να αποφύγετε την επαφή του κορμού με τη μύτη της λάμας. Επιπλέον, να είστε πολύ προσεκτικοί με τα κλαδιά που βρίσκονται υπό τάση, καθώς μπορεί να κινηθούν προς τα πίσω και προς εσάς σαν ελατήριο, τα οποία μπορεί να σας προκαλέσουν σοβαρό τραυματισμό.

ΣΥΝΤΗΡΗΣΗ

ΠΡΟΕΙΔΟΠΟΙΗΣΗ Πριν από τον καθαρισμό, την επιθεώρηση ή την επισκευή του αλυσοπρίονου, βεβαιωθείτε ότι ο κινητήρας έχει σταματήσει και είναι δροσερός. Αποσυνδέστε το μπουζί για να αποφύγετε τυχαία εκκίνηση του κινητήρα. Ακολουθήστε τις οδηγίες για να εκτελέσετε την τακτική συντήρηση και καθημερινές ερ-

γασίες συντήρησης. Η μη προβλεπόμενη συντήρηση, μπορεί να προκαλέσει σοβαρές ζημιές στο μηχανήμα.

ΣΥΝΤΗΡΗΣΗ ΜΕΤΑ ΑΠΟ ΚΑΘΕ ΧΡΗΣΗ

1. ΦΙΛΤΡΟ ΑΕΡΑ

Το φίλτρο αέρα μπορεί να καθαριστεί πλένοντάς το με απορρυπαντικό σε ζεστό νερό. Όταν χρησιμοποιείτε πεπιεσμένο αέρα, φυσήξτε φίλτρο αέρα από την εσωτερική προς την εξωτερική επιφάνεια. (Εικ. 15.1) κούμπωμα φίλτρου αέρα (Εικ. 15.2) κάλυμμα φίλτρου αέρα.

2. ΠΑΡΟΧΗ ΛΑΔΙΟΥ

Αφαιρέστε τη λάμα και ελέγξτε την έξοδο λαδιού για τυχόν φραγή. Έξοδος λαδιού (Εικ. 19.1) Εισαγωγή λαδιού (Εικ.19.2).

3. ΛΑΜΑ

Όταν η λάμα αποσυαρμολογηθεί, αφαιρέστε το πριονίδι από το αυλάκι της (Εικ. 21) και από την είσοδο του λαδιού (Εικ. 18)

4. ΑΛΛΑ

Ελέγξτε για διαρροή καυσίμου, χαλαρές βίδες και ζημιά στα κύρια μέρη, όπως επίσης διαχειριστείτε με προσοχή την προσαρμογή της λάμας στο σημείο στήριξής της. Εάν εντοπιστούν τυχόν ελαττώματα, φροντίστε να τα επιδιορθώσετε πριν λειτουργήσετε ξανά το αλυσοπρίονο.

ΣΗΜΕΙΑ ΠΕΡΙΟΔΙΚΗΣ ΣΥΝΤΗΡΗΣΗΣ

1. ΠΤΕΡΥΓΙΑ ΚΥΛΙΝΔΡΟΥ

Η συσσώρευση σκόνης μεταξών των πτερυγίων του κυλίνδρου θα προκαλέσει την υπερθέρμανση του κινητήρα. Ελέγχετε περιοδικά τα πτερύγια αφού αφαιρέσετε το κάλυμμα του συμπλέκτη και στη συνέχεια, χρησιμοποιήστε αέρα υπό πίεση για να καθαρίσετε τα πτερύγια του κυλίνδρου.

2. ΦΙΛΤΡΟ ΚΑΥΣΙΜΟΥ

(α) Με τη χρήση σύρματος, βγάλτε το φίλτρο από το δοχείο καυσίμου.

(β) Αποσυαρμολογήστε το φίλτρο και καθαρίστε το με βενζίνη ή αντικαταστήστε το με ένα καινούριο εάν απαιτείται.

ΣΗΜΑΝΤΙΚΟ

► Αφού αφαιρέσετε το φίλτρο, χρησιμοποιήστε σφικτήρα για να συγκρατήσετε το άκρο του σωλήνα αναρρόφησης.

► Κατά τη συναρμολόγηση του φίλτρου, προσέξτε να μην αφήσετε ίνες φίλτρου ή σκόνη να εισέλθουν στο σωλήνα αναρρόφησης.

3. ΜΠΟΥΖΙ

Καθαρίστε το ηλεκτρόδιο με μια συρματίνη βούρτσα και επαναφέρετε το διάκενο στα 0,65 mm (Εικ. 23). Τύπος μπουζί: NGK CMR7H

4. ΓΡΑΝΑΖΙ ΚΑΜΠΑΝΑΣ

Ελέγξτε για ρωγμές και υπερβολική φθορά επάνω στο γρανάζι, που παρεμποδίζει την περιστροφή της αλυσίδας. Εάν η φθορά είναι σημαντική, αντικαταστήστε το με νέο. Ποτέ μην τοποθετείτε νέα αλυσίδα σε φθαρμένο γρανάζι καμπίνας, ή μια φθαρμένη αλυσίδα σε νέο γρανάζι (Εικ. 24).

5. ΕΜΠΡΟΣΘΙΑ ΚΑΙ ΠΙΣΩ ΑΝΤΙΚΡΑΔΑΣΜΙΚΑ

Αντικαταστήστε τα εμπρός ή πίσω αντικραδασμικά ελατήρια αν είναι ελατωματικά.

ΣΗΜΑΝΤΙΚΟ

Χρησιμοποιήστε μόνο τα ανταλλακτικά που αναφέρονται στο παρόν εγχειρίδιο.

Η χρήση μη γνήσιων ανταλλακτικών μπορεί να προκαλέσει σοβαρό τραυματισμό.

ΑΛΥΣΙΔΑ

ΠΡΟΕΙΔΟΠΟΙΗΣΗ Είναι πολύ σημαντικό για την ομαλή και ασφαλή λειτουργία του αλυσοπρίονου, να διατηρείτε τα δόντια της αλυσίδας καλά τροχισμένα. Τα δόντια της αλυσίδας πρέπει να τροχιστούν όταν:

► Το πριονίδι γίνεται σαν σκόνη.

► Χρειάζεται επιπλέον δύναμη για να κόψετε. Κατά την κοπή το αλυσοπρίονο δεν κόβει ευθεία.

► Αυξάνεται η δόνηση.

► Η κατανάλωση καυσίμου αυξάνεται.

ΡΥΘΜΙΣΗ ΤΡΟΧΙΣΜΑΤΟΣ ΔΟΝΤΙΩΝ:

Φροντίστε να φοράτε γάντια ασφαλείας.

Πριν από το τρόχισμα:

► Βεβαιωθείτε ότι η αλυσίδα του πριονιού συγκρατείται καλά. (Εικ. 20).

► Βεβαιωθείτε ότι ο κινητήρας έχει σταματήσει.

► Χρησιμοποιήστε λίμα κατάλληλου μεγέθους για την αλυσίδα σας.

Μέγεθος λίμας: 3,2mm για όλα τα μοντέλα.

Τοποθετήστε τη λίμα σας στον κόπτη και πιέστε ευθεία προς τα εμπρός. Διατηρήστε τη θέση της λίμας όπως φαίνεται. Αφού ρυθμιστεί το τρόχισμα κάθε δοντιού, ελέγξτε τον οδηγό βάθους και τροχίστε τον στο σωστό επίπεδο.

ΣΗΜΑΝΤΙΚΟ

Βεβαιωθείτε ότι έχει στρογγυλοποιήσει την μπροστινή άκρη των δοντιών για να μειώσετε την πιθανότητα κλοσθήματος ή τη θραύσης τους. Βεβαιωθείτε ότι κάθε δόντι της αλυσίδας έχει το ίδιο μήκος και γωνίες, σύμφωνα με την εικόνα.

ΟΔΗΓΟΣ ΛΑΜΑΣ

► Αλλάξτε περιστασιακά την πλευρά περιστασιακά της λάμας, για να αποφύγετε την τοπική φθορά.

► Ο οδηγός της λάμας πρέπει πάντα να είναι τετραγωνός. Ελέγξτε για φθορά (Εικ. 22) στον οδηγό της λάμας. Εφαρμόστε ένα χάρακα στον οδηγό της λάμας και στην πλαινή πλευρά ενός δοντιού. Εάν παρατηρηθεί κενό μεταξύ τους, ο οδηγός είναι φυσιολογικός. Διαφορετικά, ο οδηγός της λάμας είναι φθαρμένος. Μια τέτοια λάμα πρέπει να διορθωθεί ή να αντικατασταθεί.

(1) Χάρακας (2) Διάκενο (3) Χωρίς διάκενο

ΑΠΟΘΗΚΕΥΣΗ

1. Αδειάστε το δοχείο καυσίμου και δουλέψτε τον κινητήρα μέχρι να μείνει από καύσιμο.

2. Αδειάστε το δοχείο λαδιού.

3. Καθαρίστε το αλυσοπρίονο.

4. Αποθηκεύστε το αλυσοπρίονο σε ξηρό μέρος μακριά από παιδιά.

ΔΙΑΘΕΣΗ ΑΠΟΒΛΗΤΩΝ ΚΑΙ ΠΡΟΣΤΑΣΙΑ ΠΕΡΙΒΑΛΛΟΝΤΟΣ

Ποτέ μη ρίχνετε υπολείμματα λιπαντικού αλυσίδας ή

μείγματος καυσίμου δίχρωνων κινητήρων στο δίκτυο αποχέτευσης ή στο εδάφος, αλλά απορρίψτε το με κατάλληλο και φιλικό προς το περιβάλλον τρόπο, π.χ. σε ένα ειδικό σημείο συλλογής ή απόρριψης. Εάν δε χρειάζεστε πλέον τη συσκευή σας ή είναι άχρηστη, μην την απορρίψετε μαζί με τα οικιακά απορρίμματα, αλλά απορρίψτε την με φιλικό προς το περιβάλλον τρόπο. Αδειάστε καλά ταδοχεία λαδιού / καυσίμου και απορρίψτε τα υπολείμματα σε ειδικό σημείο συλλογής ή απόρριψης. Απορρίψτε επίσης τη συσκευή σε ένα σημείο συλλογής / ανακύκλωσης. Με αυτόν τον τρόπο, τα πλαστικά και μεταλλικά μέρη μπορούν να διαχωρι-

στούν και να ανακυκλωθούν. Πληροφορίες σχετικά με την απόρριψη υλικών και συσκευών, διατίθενται από την τοπική αυτοδιοίκηση.

ΕΓΓΥΗΣΗ

Αυτό το προϊόν είναι εγγυημένο σύμφωνα με τους νόμους / ειδικούς κανονισμούς ανά χώρα, από την ημερομηνία αγοράς από τον πρώτο χρήστη. Ζημιές που οφείλονται σε φυσιολογική φθορά, υπερφόρτωση ή ακατάλληλο χειρισμό θα εξαιρεθούν από την εγγύηση. Σε περίπτωση αξίωσης, στείλτε το μηχάνημα, πλήρως συναρμολογημένο, στον αντιπρόσωπό μας.

	Διάμετρος λίμας	Άνω γωνία κοπτικού	Κάτω γωνία	Γωνία κεφαλής (55°)	Ύψος οδηγού βάθους
Τύπος αλυσίδας					
		Γωνία περιστροφής	Εμπρόσθια γωνία	Γωνία υπό κλίση	
E1	3,2mm	30°	10°	55°	0,52mm
Οδηγός βάθους				Λίμα	

Κωδικός

48 299

Μοντέλο

GCS 325T PLUS

Κινητήρας

Κυβισμός

cc

25,4

Διάμετρος εμβόλου

mm

35

Διαδρομή εμβόλου

mm

28

Στροφές ρελαντί

rpm

3.100±500

Μέγιστη ισχύς

kW / hp

1 / 1,34

Μέγιστες στροφές λειτουργίας

rpm

11.000

Κωδικός	48 299	
Μοντέλο	GCS 325T PLUS	
Σύστημα ανάφλεξης		
Διάκενο μπουζί	mm	0,6-0,7
Καύσιμο		
Χωρητικότητα δοχείου καυσίμου	λίτρα	0,18
Χωρητικότητα δοχείου λαδιού	λίτρα	0,14
Τύπος αντλίας λαδιού		Εμβολική
Βάρος		
Αλυσοπρίοιο χωρίς λάμα και αλυσίδα	kg	2,5
Εκπομπές θορύβου		
Επίπεδο θορύβου, μέτρησης	dB(A)	99,2
Επίπεδο θορύβου, εγγυημένο	Lwa dB	113
Επίπεδα θορύβου		
Ισοδύναμο επίπεδο ηχητικής πίεσης στο αυτί του χειριστή	dB(A)	99
Επίπεδο δονήσεων		
Εμπρός λαβή	m/s ²	9
Οπίσθια λαβή	m/s ²	8,5
Αλυσίδα / Μπάρα		
Μήκος μπάρας	cm	25cm
Βήμα	inch	1/4"
Πάχος οδηγού	mm/inch	1,1 / 0,043"
Μέγιστη ταχύτητα αλυσίδας	m/s	21

SRPSKI

IDENTIFIKACIJU

1. Lanac testera
2. Traka vodiča
3. Prednji ručni čuvar
4. Okidač gasa
5. Throttle trigger lock lever
6. Zadnja ručika
7. Primer sijalica
8. Poklopac filteravazduha
9. Zaključaj kopča
10. Regulator startera
11. Svećica
12. Prednjadrška
13. Rezervoar zanaftu
14. Rezervoar zagorivo
15. Scabbard izbaravodiča
16. Prekidača motor
17. Hvatač lanca
18. Vijak za zatezanje lanca
19. Poklopac vačila
20. Kvakazagušenje

OPŠTA PRAVILA O BEZBEDNOSTI

Pažljivo pročitajte ovaj priručnik pre upotrebe motorne testere i vodite računa o svim bezbednosnim uputstvima kako ne bi došlo do povreda i oštećenja. Molimo Vas da ove bezbednosne napomene prosledite bilo kojoj drugoj osobi koja koristi motornu testera. Uvek koristite svoj zdrav razum kakobiste izbegli svesituacije koje se smatraju izvan vaših mogućnosti. Ako imate bilo kakvih pitanja o upotrebi motornih testera, ne ustručavajte se kontaktirati nas. Mi ćemo vam pružiti savet kao i pomoć u vezi bezbedne upotrebe motorne testere.

LIČNA ZAŠTITNA OPREMA

Uvek koristite ličnu zaštitnu opremu kao što su zaštitne naočare, kaciga sa vizorom, zaštitne rukavice, zaštitna odeća i oštećenja lanca, zaštitne čizme i zaštitna sluha.

BEZBEDNOSNA OPREMA NA MOTORNOJ TESTERI

Ručna zaštita i kočnica lanca

Motorna pila opremljena je kočnicom (Sl. 16) lanca dizajniranom da zaustavi kretanje lanca, u slučaju povratnog udara. Kočnica lanca dizajnirana je tako da spreči i smanji rizik od nesreća.

Pazite da zona povraćaja šipke nikada ne dodiruje nijedan predmet. Kočnica lanca može se aktivirati ručno (gurati prema naprijed) ili automatski inercijom kada motorna testera pogodi predmet dole. Aktiviranje kočnice lanca postiže se vrlo naglim i snažnim pomicanjem štitnika ruke, usled povratnog udara.

Štitnik za ruke se takođe koristi da zaštiti ruku koja drži prednju ručicu od rizika od udara u lanac, ako ruka izgubi хват drške.

Kočnica lanca koristi se i kao parking kočnica i mora se aktivirati prije pokretanja motorne pile. Kočnica lanca mora se odmah isključiti kada se motorna testera pokrene.

Lanac hvatač

Lovac lanca koristi se za hvatanje lanca ako iskoči iz šipke zbog neprikladnog zatezanja lanca. Lančani hvatač štiti korisnika od ozbiljnih povreda. Ako je hvatač lanca ozleđen, mora se zameniti novim.

Vibracioni sistem

Motorna testera je opremljena antivibracijskim elementima, kako bi se vibracije svele na minimum i olakšao rad. Antivibracioni sistem takođe štiti korisnika od prevelikih vibracija što može dovesti do oštećenja cirkulacije ili oštećenja živaca. Simptomi oštećenja cirkulacije jesu gubitak prstiju, bol, gubitak snage i promene na boji kože. Vibracija koju proizvodi motor i oprema za sečenje se smanjuje i sprečava da se prebaci na ručke motorne testere. Što je drvo za sečenje tvrđe, viši je nivo vibracije i oštriji je lanac, niži je nivo vibracije.

OPREMA ZA SEČENJE

Zupci lanca moraju uvek biti u dobro naoštrenom stanju. Oštećen ili nepravilno naoštren lanac može povećati rizik od nezgoda. Upravljajte i održavajte ispravni merač dubine, jer preveliki zazor povećava rizik od povratnog udara. Upravljajte i održavajte ispravnu zategnutost lanca. Otpušteni lanac može dovesti do skoka lanca sa šipke i trošenja šipke, lanca i pogonskog zupčanika. Upravljajte i pravilno podmazujte opremu za sečenje. Loše podmazivanje na lancu može dovesti do pucanja lanca, trošenja šipke i pogonskog zupčanika.

Oštrenje lanca

Ako niste upoznati sa oštrinom lanca motornih testera, predlažemo da ga oštro stručite u najbližem servisnom centru. Uvek koristite zaštitne naočare i rukavice za oštrenje lanca. Koristite okruglu datoteku kako biste naoštrili sečiće spoljnim potezima. Nakon oštrenja sečiva osigurajte da imaju istu širinu i dužinu. Oštrilo za dubinu mora se spustiti nakon oštrenja sekača, koristeći pilu.

Zatezanje lanca

Napetost lanca je veoma važna i mora se proveriti pre upotrebe motorne testere. Što je lanac napetiji, to nabolje se sečete! (Pogledajte ugradnju šipke i lanca)

Podmazivanje lanca

Motorna testera je opremljena automatskim sistemom za podmazivanje lanca. Uvek koristite ulje za lanac naznačeno za podmazivanje lanca i šipke, uz dobro prijanjanje na lanac. Otpadno motorno ulje se nikada ne smije koristiti, jer može biti opasno za korisnika i može dovesti do oštećenja pumpe za ulje.

INSTALIRANJE TRAKE ZA VODIČE I LANAC TESTERA

Standardni paket jedinice sa testerima sadrži artikle kao što je prikazano ispod:

- (Sl. 1.1) Lanac napajanja (Sl. 1.2)
 (Sl.1.3) Traka vodiča (Sl. 1.4) traka sa vodičem
 (Sl. 1.5) Plug ključ

Otvorite kutiju i instalirajte traku za vodiče i lanac testere na jedinicu za napajanje na sledeći način.

UPOZORENJE

Lanac testera ima veoma oštre ivice. Koristite zaštitne rukavice za bezbednost.

1. Povucite stražu prema prednjoj ručici da proverite da li je lančana kočnica ne utičena.
2. Olabavite orah (Sl. 2.1) i skinite lančani poklopac (Sl. 2.2). Popravite branik, ako već nije sklopljen, (Sl. 2.3) sa dva šrafa (Sl. 2.4) na prednje strane motorne testere (Sl.2).

VAŽNO

Šiljati branik pripada motornim testerima. Mora biti sjeban na motornim testerima pre početne upotrebe.

Ukloni razmak (Sl. 3.1) sa motorne testere (Sl. 3).

3. Uklopite traku sa vodičem (Sl. 4.2) u jedinicu za napajanje, a zatim pritisnite traku sa vodičem prema kvačilu (Sl. 4).

4. Usmerite lanac na sproket dok se lančić testere uklapa oko trake za vodiče (Sl. 5).

NAPOMENA Obratite pažnju na pravi pravac lanca testera.

5. Podesite položaj lančanog eksera za napetost, a zatim ubacite ekser za napetost u donje rupe trake za vodiče (Sl. 6.3). Zaklopi kvačila za napajanje i pričvrstite orah za prste (Sl. 7). Dok držite vrh šipke, podesite lančanu napetost okretanjem šrafa za napetost dok kravata ne dodirne donju stranu šipke (Sl. 8).

6. Zategnite orah bezbedno uz držan vrh trake (12 ~ 15 Nm). Zatim proverite da li u lancu ima glatke rotacije i odgovarajuće napetosti dok ga ručno pomerate. Ako je potrebno, nitajte samo sa labavim lančanim poklopcima. Okreni vijak (Sl. 6.4) u smjeru kazaljke na satu zategni lanac, okreni zatezač vijak (Sl. 6.4) u smjeru suprotnom od kazaljke na satu kako bi se lanac olabavio

7. Proverite napetost lanca testera. Koristite ruku da podignete lančanu vezu koja se pozicionira na sredini dužine sečenja sa približno 10N silom. Ako lančana veza izađe iz šine celog bara vodiča, moraš da reaktiviraš lanac.

VAŽNO Veoma je važno da održite odgovarajuću lančanu napetost. Brzo nošenje trake za vodiče ili lanac koji se lako iskače može biti uzrokovano nepravilnom tenzijom. Pogotovo kada koristite novi lanac, vodite računa o njemu jer bi trebalo da se širi kada se prvi put koristi.

GORIVO I PODMAZIVANJE

Motorna testera opremljena je dvotaktnim motorom; Zbog toga se uvek mora koristiti mešavina ulja benzina 95 RON i dvotaktnog ulja. Veoma je važno obratiti pažnju na smešu goriva koju koristite, jer se mora dobiti tačna mešavina ulja i goriva. Male količine smeše ulja i goriva sa malim netačnostima mogu uticati na odnos smeše, što može dovesti do pregrevanja motora i ozbiljnih oštećenja u motoru. Mešavina sa gorivom višeg oktana se preporučuje upotrebljavati samo pri neprekidnom radu na velikim obrtajima.

Dvotaktno ulje

Za dvotaktne motore sa zračnim hlađenjem mora se koristiti posebno formulisano ulje. Ne koristite dvotaktno ulje namenjeno za upotrebu motora sa vodenim hlađenjem. Nikada ne koristite loš kvalitet ulja i četvortaktno motorno ulje.

Odnos mešanja

Za najbolje rezultate i performanse, odnos mešanja je 2,5% sa uljem klase JASO FC ili ISO EGC na minimumu, formulisano za dvotaktne motore sa vazдушnim hlađenjem.

Benzin, litar	Dvotaktno ulje, litar 2,5% (1:40)
4	0,10lt (100ml)
8	0,20lt (200ml)

Uvek koristite čistu posudu za gorivo pre mešanja goriva. Mešajte i dobro promešajte mešavinu goriva pre punjenja rezervoara za gorivo u mašini. Ne koristite mešavinu goriva koja se čuva duže od mesec dana. Pre skladištenja rezervoar za gorivo u mašini mora da se isprazni.

Lanac ulje

Koristite posebno lančano ulje sa dobrim svojstvima lepjenja. Otpadno motorno ulje se nikada ne smije koristiti, jer može biti opasno za korisnika i može dovesti do oštećenja pumpe za ulje. Motorna testera je napravljena na takav način da se rezervoar za ulje mora napuniti svaki put kada se rezervoar za gorivo isprazni.

NAPOMENA: Pre punjenja goriva uvek isključite motor i ostavite da se ohladi. Nikad ne pušite tokom procesa punjenja gorivom.

NAPOMENA: Nikada ne radite motorno testere sa 100% benzina, bez dodavanja dvotaktnog ulja.

STARTNIMOTOR

1. Newist i uklonite potisnuta za gorivo i potisnuta ulja.
2. Napunite rezervoar (Sl. 9.1) za gorivo i rezervoar za naftu do 80% punog kapaciteta.
3. Vežite kapu za gorivo i rezervoar za ulje (Sl. 9.2) bezbedno i obrišite svako izlivanje goriva oko jedinice.
4. Postavite prekiđač (Sl. 10.1) na poziciju "I".
5. Okreni kvaku u smeru suprotnom od kazaljke na satu (Sl. 10.2). Gušenje će se zatvoriti i ručica gasa će potom biti postavljena na startnoj poziciji.
6. Neprekidno gurajte sijalicu (Sl. 11.1) dok gorivo ne dođe u sijalicu.

NAPOMENA

Prilikom ponovnog pokretanja odmah nakon zaustavljanja motora. Postavite gušenje na otvorenom položaju. Kada kvaka za gušenje bude okrenuta u smeru suprotnom od kazaljke na satu, ona će se vratiti na poziciju za trčanje ako pritisnete okidač gasa (Sl. 12.1) ili okrenete kvaku za gušenje prstom. Kada želite da vratite kvaku za gušenje na operativnu poziciju, umesto toga pritisnite okidač gasa (Sl. 12.1).

7. Gurni prednji čuvar drške prema prednjem delu da aktiviraš lančanu kočnicu.
8. Dok držite testeru bezbedno na zemlji, energično povucite startni konopac (Sl. 13).
9. Kada dođe do pucanja, ručno okrenite kvaku za gušenje u smeru kazaljke na satu. Zatim ponovo povucite starter konopac dok se motor ne upali. Odmah pritisnite okidač gasa da biste omogućili da se gas vrati u poziciju dokone. Ručno podešavanje gušenja može privremeno da podesi gas u delimično otvorenom položaju da pomogne pri pokretanju.
10. Podigni prednju ručicu prema prednjoj dršci da oslobodiš kočnicu. Onda dozvoli motoru da se zagreje sa obaračem koji je malo povučen.

UPOZORENJE Pre nego što upalite motor, uverite se da lanac testera ništa ne kontaktira. Uverite se da je lančana kočnica uvek aktivirana pre svakog pokretanja.

PROVERA SNABDEVANJA NAFTOM

Nakon pokretanja motora, pokrenite lanac srednjom brzinom i vidite da li je lančano ulje razbacano kao što je prikazano u Sl. 14.

VAŽNO Rezervoar za naftu bi trebalo da postane skoro prazan dok se gorivo ne iskaše. Obavezno napunite rezervoar za ulje svaki put kada dopunjavate testeru.

PROVERA FUNKCIONALNOSTI KVAČILA

Pre svake upotrebe, potvrdjete da nema laniane pokrete kada motorna testera radi brzinom dokdinga.

TEHNIKE RADA

Slijedite dolje navedene točke kako bistesigurno obavljali svoje pilane bez nezgoda i povreda.

- ▶ Ako ste umorni, ne koristite motornu testere.
- ▶ Ne koristite motornu pilu za lošeg vremena.
- ▶ Uvek držite motornu testere sa obe ruke (Sl. 25), dok motor radi.
- ▶ Osigurajte da područje oko vas nema prepreka koje vas mogu prekinuti dok sečete ili mogu pasti od pada drveća ili grana.
- ▶ Osigurajte se da stojite čvrsto i da ne postoji ništa što bi moglo da vas natera da izgubite ravnotežu.
- ▶ Budite svjesni da se nezgode pri povratnom udarcu uglavnom događaju tokom klanjanja (Sl. 27).
- ▶ Nikada se ne sečite na visini preko ramena i nikada se ne sečite nosom šipke (Sl. 25).
- ▶ Nikada ne radite stojeći na merdevinama, na drvetu ili tamo gde nemate čvrsto tlo na kojem biste mogli da stojite (Sl. 26).
- ▶ Za vreme sečenja koristite velike obrtaje na motornoj motornoj testerici.
- ▶ Koristite praznu brzinu nakon svakog sečenja.
- ▶ Sečenje pritiska može biti opasno, jer može doći do povratnog udarca.
- ▶ Vodite računa da se lanac dobro zategne, kako ne bi zaglavio tokom sečenja. Ako se lanac zaglavi tokom sečenja, odmah zaustavite motor motorne testere. Pomoću ručice podižite sečeno drvo i oslobađajte se motorna testera.
- ▶ Vodite računa da se drvo ne cepa tokom sečenja (Sl. 28).
- ▶ Vodite računa da lanac ne dodiruje zemlju tokom sečenja sečenja (Sl. 29).

BEZBEDNOS NA PRAVILA KAKO DA IZBEGETE POVRATNI UDAR

Kickback je vrlo naglo kretanje motorne testere. To se događa kada korisnik preseče predmet sa gornjim kvadrantom nosa šipke, a šipka motorne testere skoči sa objekta, ka korisniku. Povratni udar može postati vrlo opasan za korisnika i zato budite krajnje oprezni kada udarate i izbegavajte da kontakt drvoredom nosite sa šipkom. Štaviše, budite vrlo oprezni s udovima pod napetošću, jer se oni mogu kretati unazad i prema vama poput opruge, što vam može uzrokovati ozbiljne povrede.

ODRŽAVANJE

UPOZORENJE Pre čišćenja, pregleda ili popravke jedinice, uverite se da je motor stao i da je hladan. Isključite svećicu da biste sprečili slučajno pokretanje. Sledite uputstva za obavljanje redovnog održavanja, pred-operativnih procedura i svakodnevnih rutina održavanja. Nepravilno održavanje može dovesti do ozbiljnog oštećenja mašine.

ODRŽAVANJE NAKON SVAKE UPOTREBE

1. FILTER VAZDUHA

Prašina na filteru za čišćenje može se ukloniti pranjem u rastvoru deterdženta za domaćinstvo i tople vode. Da biste očistili prljavštinu u četkici, skinite poklopac za čišćenje i operite benzin. Kada koristite kompresovani vazduh, duvaj iznutra. (Sl. 15.1) kopča filtera za vazduh (Sl. 15.2) poklopac filtera vazduha.

2. SPREJ ZA PODMAZANJE

Sjašite šipku sa vodičem i proverite ulje za začepljenje. (Sl. 19.1) Ulje za ulje (Sl. 19.2) ulje za ulje

3. TRAKA VODIČA

Kada je trakazavodicašasa, uklonitepiljevine (Sl. 21) u baruiulje (Sl. 18).

4. OSTALI

Proverite da li ima curenja goriva i labavih pričvršćivanja i oštećenja glavnih delova, posebno za rukovanje zglobovima i montažom barova vodiča. Ako se pronaru neki kvarovi, uverite se da su popravili pre nego što ponovo oregiľu.

PERIODIČNE TAČKE SERVISA

1. PERAJA CILINDRA

Zapušanjeprašineizmeđu perajacilindaračeizazvatipregrevanjemotora. Povremeno proveravajte peraja nakon uklanjanja poklopac kvačila, a zatim koristite pritisak da očistite peraja cilindra.

2. FILTER GORIVA

(a) Pomoću žice izvadite filter iz porta za filere.

(b) Rastavite filter i isejte benzinom ili ga zamenite novim po potrebi.

VAŽNO

- ▶ Nakon uklanjanja filtera, koristite štipanje da biste održali kraj usisivanja.
- ▶ Prilikom sklapanja filtera, vodite računa da ne dozvolite filter vlakna ili prašinu unutar usisivne cevi.

3. SVEĆICA

Očistite elektrode žičanom četkicom i po potrebi resetuj razmak na 0,65mm (Sl. 23).

Tip svećice: NGK CMR7H

4. SPROCKET

Proverite da li ima pukotina i prekomernog ogošaja koji ometa lanac pogona. Ako je odeća značajna, zamenite ga novim. Nikada ne uklapaj novi lanac na istrošeni lanac, ili istrošeni lanac na novoj jaknu (Sl. 24)

5. PREDNJI I ZADNJI IZVORI AMORTIZERA

Zamenite ako je oštećeno prednje ili zadnje amortizersko opruga.

VAŽNO Koristite samo rezervne delove koji su imenovani u ovom uputstvu. Korišćenje drugog rezervnog dela može izazvati ozbiljne povrede.

LANAC TESTERA UPOZORENJE

Veoma je važno za glatko i bezbedno funkcionisanje kako bi sekači uvek bili oštri.

Rezači moraju biti naoštri kada:

- ▶ Piljevina postaje nalih prahu.
- ▶ Potrebna vam je dodatna sila da biste videli unutra.
- ▶ Presečeni put ne ide kako treba.
- ▶ Vibracije se povećavaju.
- ▶ Potrošnja goriva se povećava.

STANDARDI ZA PODEŠAVANJE REZANJA:

Obavezno nosite sigurnosne rukavice.

Pre podnošenja zahteva:

- ▶ Uverite se da se lanac testera drži bezbedno (Sl. 20).
- ▶ Uverite se da je motor zaustavljen.
- ▶ Koristite okruglu turpiju odgovarajuće veličine za lanac.

Veličina turpija: 3,2mm za sve modele.

Stavite fajl na rezač i gurajte napred. Zadržite položaj turpiju kao što je ilustrovano.

Kada je svaki rezač podešen, proverite meteš dubine i postavite ga na odgovarajući nivo kao što je ilustrovano.

VAŽNO Obavezno zaokružite prednju ivicu kako biste smanjili šansu za kik-boks ili prekid izjednačenja.

Uverite se da svaki rezač ima iste dužine i ivice kao ilustrovano.

TRAKA SA VODIČEM

- ▶ Povremeno obrnite traku da biste sprečili delimično nošenje.
- ▶ Barna šina uvek treba da bude kvadratna. Proveri da li ima (Sl. 22) љanke. Nanesite lenjir na prečku i spoljašnjost rezač. Ako se između njih primeti razmak, šina je normalna. U suprotnom, barna љina se nosi. Takav bar mora da se ispravi ili zameni.

(1) Lenjir (2) Jaz (3) Bez razmaka

SKLADIŠTENJE

1. Isprazni rezervoar za gorivo i isprazni motor bez goriva.
2. Ispraznite rezervoar sa uljem.
3. Očistite celu jedinicu.
4. Skladištenje jedinice na suvom mestu van dometa dece

ODLAGANJE OTPADA I ZAŠTITA ŽIVOTNE SREDINE

Nikada ne sipajte ostatak lančanog lubrikanta ili mešavine goriva od 2 udarca u odvodni ili kanalizacioni sistem ili zemljište, već ga se odlažete na pravi, ekološki prihvatljiv način, npr. Ako vaš uređaj u budućnosti postane beskoristan ili vam više nije potreban, ne odlažite uređaj zajedno sa domaćim otpadom, već ga se rešite na ekološki prihvatljiv način. Temeljno ispraznite rezervoare ulja/maziva i rezervoare za gorivo i odložite ostale na posebnoj tački prikupljanja ili deponije. Takođe, odložite sami uređaj na mestu prikupljanja/reciklaže. Na taj na taj način, plastični i metalni delovi mogu da se razdvoje i recikliraju. Informacije koje se tiču odlaganja materijala i uređaja dostupne su od vaše lokalne administracije.

GARANTOVATI

Ovaj proizvod je zagarantovan u skladu sa zakonskim/specifičnim propisima države, koji stupaju na snagu od dana kupovine od strane prvog korisnika. Štetapripisanormalnomistrošnomišućnjavanje, preopterećenjulinepravilnomrukovanjuubićeisključenaizgarancije. U slučajuzahteva, molim vas pošaljitemašinu, potpunosklopljenu, da Tvojdiler.

	Prečnik turpija	Ugao gornje ploče	Ugao nadole	Ugao glave (55°)	Standard meteš dubine
Tip lanca					
		Više rotiranja ugla	Više ugla	Ugao bočne stranel	
E1	3,2mm	30°	10°	55°	0,52mm
Meteš dubine			Turpija		

Broj artikla		48 299
Model	GCS 325T PLUS	
Motor		
Premeštanje cilindra	cc	25,4
Cilindarski smor	mm	35
Šlog	mm	28
Brzina dokovanja	rpm	3.100±500
Maksimalna snaga motora	kW /hp	1 / 1,34
Maksimalna brzina motora	rpm	11.000
Sistem paljenja		
Razmak od elektroda	mm	0,6-0,7
Sistem goriva i podmazivanja		
Kapacitet rezervoara za gorivo	litar	0,18
Kapacitet rezervoara za naftu	litar	0,14
Vrsta pumpe za ulje		Pumpa za otpušavanje
Težinu		
Motorna testerom bez bara ili lanca	kg	2,5
Emisije buke		
Nivo napajanja zvuka, izmeren	dB(A)	99,2
Nivo napajanja zvuka, garantovano	Lwa dB	113
Nivoi zvuka		
Ekvivalentan nivo pritiska zvuka na uhu operatera	dB(A)	99
Ekvivalentni nivoi vibracija		
Prednja drška	m/s ²	9
Zadnja drška	m/s ²	8,5
Lanac / bar		
Dužina trake	cm	25cm
Bacanje	inč	1/4"
Mršavost pogona	mm/inč	1,1 / 0,043"
Max. brzina lanca	m/s	21

HRVATSKI

IDENTIFIKACIJA

1. Lanac pile
2. Traka s vodičem
3. Prednjiručništitnik
4. Okidačgasa
5. Polugazazaključavanjeokidačgasa
6. Stražnjaručka
7. Primer žarulja
8. Poklopacfiltrazraka
9. Kopča za zaključavanje
10. Starter ručka
11. Svjećica
12. Prednjaručka
13. Spremnikulja
14. Spremnikgoriva
15. Vodič bar scabbard
16. Prekidačmotora
17. Hvatač lanca
18. Vijak za zatezanje lanca
19. Poklopacspojka
20. Gušenjekvake

OPĆA PRA VILA SIGURNOSTI

Pažljivo pročitajte ovaj priručnik prije nego što koristite motornu pilu i vodite računa o svim sigurnosnim uputama kako ne bi došlo do ozljeda i oštećenja. M o l i m o v a s d a o v e s i g u r n o s n e u p u t e p r o s l j e d i t e b i l o k o j o j d r u g o j o s o b i k o j a k o r i s t i m o t o r n u p i l u. U v i j e k k o r i s t i t e z d r a v r a z u m k a k o b i s t e i z b j e g l i s v e s i t u a c i j e k o j e s e s m a t r a j u i z v a n v a š i h m o g u ć n o s t i. A k o i m a t e b i l o k a k v i h p i t a n j a o u p o r a b i m o t o r n i h p i l a, n e u s t r u č a v a j t e s e k o n t a k t i r a t i n a s. P r u ž i t ć e m o v a m s a v j e t e i p o m o ć o t o m e k a k o s i g u r n o k o r i s t i t i m o t o r n u p i l u.

OSOBNJA ZAŠTITNA OPREMA

Uvijek koristite osobnu zaštitnu opremu kao što su zaštitne naočale, kaciga s viziorom, zaštitne rukavice, zaštitna odjeća od rezanja lanca, zaštitne čizme i zaštitna sluha.

SIGURNOSNA OPREMA NA MOTORNOJ PILI

Kočnica za ruke i kočnica lanca

Motorna pila opremljena je kočnicom lanca (Sl. 16) koja je dizajnirana da zaustavi pomicanje lanca u slučaju povratnog udara. Kočnica lanca dizajnirana je tako da sprječeli i smanji rizik od nezgoda. Provjerite da zona povratne trake nikad ne dotiče nikakve predmete. Kočnica lanca može se aktivirati ručno ručno (gurati prema naprijed) ili automatski inercijom kada motorna pila pogodi predmet prema dolje. Aktiviranje kočnice lanca postiže se vrlo naglim i snažnim pomicanjem štitnika ruke, zbog povratnog udara. Zaštita ruku koristi se i za zaštitu ruku koja drži prednju ručicu od opasnosti od udara u lanac ako ruka izgubi stisak s ručke. Kočnica lanca koristi se i kao parkirna kočnica i mora se aktivirati prije pokretanja motorne pile. Kočnica na lancu mora se odmah isključiti kad se motorna pila pokrene.

Lanac hvatač

Lovac na lancu koristi se za hvatanje lanca ako iskoči iz šipke zbog neprikladnog zatezanja lanca. Lanac hvatač štiti korisnika od ozbiljnih ozljeda. Ako je

hvatač lanca ozlijeđen, mora se zamijeniti novim.

Vibracijski sustav

Motorna pila opremljena je antivibracijskim elementimaza smanjenje vibracija i olakšavanje rada. Antivibracijski sustav također štiti korisnika od prekomjernih vibracija što može rezultirati oštećenjem cirkulacije ili oštećenjem živaca. Simptomi oštećenja cirkulacije su gubitak osjećaja prstiju, bol, gubitak snage i promjene na boji kože. Vibracija koju generiraju motor i oprema za rezanje smanjuje se i sprečava da se prebaci na ručke motorne pile. Što je drva za rezanje tvrđa, to jeviša razina vibracija i oštrije je lanac, niža je razina vibracija.

OPREMA ZA REZANJE

Zupci lanca moraju uvijek biti u dobro naoštrenom stanju. Oštećen ili nepravilno naoštren lanac može povećati rizik od nezgoda. Upravljajte i održavajte ispravni mjerac dubine, jer preveliki zazor povećava rizik od povratnog udara. Upravljajte i održavajte ispravnu napetost lanca. Otpušteni lanac može dovesti do skoka lanca iz šipke i trošenja šipke, lanca i pogonskog zupčanika. Upravljajte i pravilno podmazujte opremu za rezanje. Loše podmazivanje lanca može dovesti do puknuća lanca, trošenja šipke i pogonskog zupčanika.

Oštrenje lanca

Ako niste upoznati s oštrinom lanca motorne pile, predlažemo da ga oštrote stručite u najbližem servisnom centru. Uvijek koristite zaštitne naočale i rukavice prilikom oštrenja lanca. Koristite okruglu datoteku kako biste naoštrili rezače vanjskim potezima. Nakon oštrenja rezača, pobrinite se da imaju jednaku širinu i duljinu. Ograničivač dubine mora se spustiti nakon što je oštrilo rezače, koristite pilu.

Zatezanje lanca

Napetost lanca je vrlo važna i mora se provjeriti prije pokretanja motorne pile. Što je lanac napetiji, to ćete imati najbolje posjekotine! (Pogledajte ugradnju šipke i lanca)

Podmazivanje lanca

Motorna pila je opremljena automatskim sustavom podmazivanja lanca. Uvijek koristite ulje za lanac naznačeno za podmazivanje lanca i šipke, uz dobro prijanjanje na lanac. Otpadno motornoulje nikada se ne smije upotrebljavati, jer može biti opasno za korisnika i može dovesti do oštećenja pumpe za ulje.

INSTALIRANJE TRAKE VODIČA I LANCA PILE

Standardni paket jedinice pile sadrži stavke kao što je prikazano u nastavku:

- (Sl. 1.1) Snaga jedinica (Sl. 1.2) Lanac pile
- (Sl. 1.3) Trakavodiča (Sl. 1.4) Šipkavodiča
- (Sl. 1.5) Čepključ

Otvorite kutiju i instalirajte traku vodiča i lanac pile najedincunapajanjakoslijedi.

UPOZORENJE

Lanac pile imavruoštrenrubove. Koristite zaštitne rukavice za sigurnost.

1. Povucite stražu prema prednjoj ručki kako biste provjerili da lančana kočnica nije na.
2. Olabavite orah (Sl. 2.1) i uklonite poklopac lanca (Sl. 2.2). Fiksirani branik, ako već nije sastavljen, (Sl. 2.3) popravite s dva vijka (Sl. 2.4) na čelu lančane pile (Sl.2).

VAŽNO

Začinjeni branki pripada lančanoj pili. Mora se zeznuti na lančanoj pili prije početne uporabe Uklonite razmaknik (Sl. 3.1) iz lančane pile (Sl. 3).

- Šipku vodilice (sl. 4.2) uklopite u jedinicu za napajanje, a zatim gurnite traku vodilice prema spojki (Sl. 4).
- Zupčaste lanac na lanac dok prilazete lanac pile oko šipke vodiča (Sl. 5).

NAPOMENA: Obratite pozornost na ispravan smjer lanca pile.

- Podesite položaj lančanog zatezača noktiju, a zatim umetnite zatezni nokat u donju rupu trake vodiča (Sl. 6.3). Montirajte poklopac spojke na jedinicu za napajanje i pričvrstite maticu za montažu na stezanje prstiju (Sl. 7). Dok držite vrh bara, podesite napetost lanca tako da okrećete vijak za zatezanje sve dok trake za kravatu ne dodirnete samo donju stranu šipke (Sl. 8).
- Čvrsto pritegnite maticu sa vrhom trake koji se drži (12 ~ 15 Nm). Zatim provjerite lanac za glatku rotaciju i pravilnu napetost dok ga pomičete ručno. Ako je potrebno, readjust sa lančanim poklopcem osloboditi. Okreni vijak (Sl. 6.4) u smjeru kazaljke na satu zategni lanac, okreni zatezač vijak (Sl. 6.4) u smjeru suprotnom od kazaljke na satu kako bi se lanac olabavio.
- Provjerite napetost lanca pile. Rukom podignite lančanu vezu koja se pozicioniraju na sredini dužine rezanja s približnom silom od 10N. Ako lančana veza izađe iz šine trake vodiča cijela, morate ponovno učtiviti lanac.

VAŽNO Vrlo je važno održavati pravilnu napetost lanca. Brzo istrošenje trake vodiča ili lanca koji se skida lako može biti uzrokovano nepravilnom napetosti. Pogotovo kada koristite novi lanac, dobro ga paziti budući da bi se trebao proširiti kada se prvi put koristi.

GORIVO I PODMAZIVANJE

Motorna pila opremljena je dvotaktnim motorom; stoga se uvijek mora koristiti mješavina ulja benzina 95 RON i dvotaktnog ulja. Vrlo je važno obratiti pažnju na smjesu goriva koju koristite, jer se mora dobiti precizna mješavina ulja i goriva. Male količine smjese ulja i goriva s malim netočnostima mogu utjecati na omjer smjese, što može dovesti do pregrijavanja motora i ozbiljnih oštećenja u motoru. Mješavina s gorivom višeg oktana preporučuje se samo kod nepekidnog rada na velikim obrtajima.

Ulje od dva poteza

Za dvotaktne motore sa zračnim hlađenjem mora se koristiti posebno formulirano 2-taktno ulje. Ne koristite dvotaktno ulje namijenjeno upotrebi motora s vodenim hlađenjem. Nikada ne koristite lošu kvalitetu ulja i četverotaktno motorno ulje.

Omjer miješanja

Za najbolje rezultate i performanse, omjer miješanja je 2,5% s uljem klase JASO FC ili ISO EGC u najmanju ruku, formulirano za dvotaktne motore hlađene zrakom.

Benzinac, litra	Dvotaktno ulje, litar 2,5% (1:40)
4	0,10lt (100ml)
8	0,20lt (200ml)

Uvijek koristite spremnik za gorivo prije nego što miješate gorivo. Pomiješajte i dobro protresite smjesu goriva prije nego što napunite spremnik goriva. Ne koristite mješavinu goriva spremnjenu više od mjesec dana. Prije skladištenja spremnik goriva mora se isprazniti.

Lanac ulje

Koristite posebno ulje za lance s dobrim svojstvima prijanjanja. Otpadno motorno ulje nikada se ne smije upotrebljavati, jer može biti opasno za korisnika i može dovesti do oštećenja pumpe za ulje. Motorna pila dizajnirana je na takav način da se rezervoar za ulje mora napuniti svaki put kada se spremnik goriva prazni.

NAPOMENA: Prije punjenja motora uvijek isključite motor i ostavite da se ohladi. Nikad ne pušite tijekom postupka punjenja gorivom.

NAPOMENA: Nikada ne radite motornu pilu sa 100% benzina, bez dodavanja dvotaktnog ulja.

STARTNI MOTOR

- Untwist i izvadite zatvarač goriva i kapicu ulja.
- Napunite spremnik (Sl. 9.1) goriva i spremnik ulja do 80% punog kapaciteta.
- Čvrsto pričvrstite zatvarač goriva i spremnik za ulje (Sl. 9.2) i obrišite bilo kakvo izlivanje goriva oko jedinice.
- Stavite prekidač (Sl. 10.1) na položaj "I".
- Okreni gumb za gušenje u smjeru suprotnom od kazaljke na satu (Sl. 10.2). Gušenje će se zatvoriti i poluga gasa će tada biti postavljena u početnom položaju.
- Kontinuirano potiskujte žarulju primera (Sl. 11.1) dok gorivo ne dođe u žarulju.

NAPOMENA: Prilikom ponovnog pokretanja odmah nakon zaustavljanja motora. Postavite gušenje u otvorenom položaju. Nakon što se gumb za gušenje okrene u smjeru suprotnom od kazaljke na satu, vratit će se u položaj trčanja ako pritisnete okidač gasa (Sl. 12.1) ili prstom okrenete gumb za gušenje u satu. Kada želite vratiti gumb za gušenje u operativni položaj, umjesto toga pritisnite okidač gasa (Sl. 12.1).

- Potisnite prednju dršku štitnik prema dolje prema prednjoj strani kako biste aktivirali lančanu kočnicu.
- Dok čvrsto držite jedinicu pile na tlu, snažno povucite uže startera (Sl. 13).
- Kada dođe do ispaljivanja, ručno okreni kvaku u smjeru kazaljke na satu. Zatim ponovno povucite starter uže dok se motor ne pokreće. Odmah pritisnite okidač gasa kako biste omogućili povratak gasa u položaj u tavu. Ručno postavljanje prigušavanja može privremeno postaviti gas u djelomično otvorenom položaju za pomoć počevši od.
- Povucite štitnik prednje ručke prema prednjoj dršci kako biste oslobodili kočnicu. Zatim dopustite motoru da se zagrije s lagano povučenim okidačem.

UPOZORENJE

Prije nego što pokrenete motor, pobrinite se da lanac pile ne kontaktira ništa. Provjerite je li lančana kočnica uvijek aktivirana prije svakog pokretanja.

PROVJERA OPSKRBE ULJEM

Nakon pokretanja motora pokrenite lanac srednjom brzinom i provjerite je li lančano ulje raspršeno kako je prikazano na slici 14.

VAŽNO Spremnik ulja bi trebao postati gotovo prazan do vremena kada se gorivo koristi. Svakako napunite spremnik ulja svaki put prilikom punjenja pile.

PROVJERA FUNKCIONALNA SPOJKA

Prije svake uporabe morate potvrditi da nema pokreta lanca kada lančana pila radi brzinom u slobodnom kretanju.

TEHNIKE RADA

Slijedite dolje navedene točke kako biste sigurno obavljali svoje pilane bez nezgoda i ozljeda.

- ▶ Ako ste umorni, nemojte koristiti motornu pilu.
- ▶ Ne koristite motornu pilu za lošeg vremena.
- ▶ Uvijek držite motornu pilu s objeruke (Sl. 25), dok motor radi.
- ▶ Osigurajte da područje oko vas nemapreprekakoje vas moguprekinutidoksjeteiteili bi moglepovrijeditodpadadrvećaili grana.
- ▶ Osigurajte da čvrsto stojite i da ne postoji ništa što bi moglo učiniti da izgubite ravnotežu.
- ▶ Imajte na umu da se nezgode pri povratnom udarcu uglavnom događaju tijekom klanjanja (Sl. 27).
- ▶ Nikada ne režite na visini preko ramena i nikad se ne režite nosom šipke (Sl. 25).
- ▶ Nikada ne radite stojeći na ljestvama, na drvetu ili gdje nemate čvrsto tlo na kojem biste mogli stajati (Sl. 26).
- ▶ Prilikom rezanja koristite velike brzine na motoru motorne pile.
- ▶ Koristite praznu brzinu nakon svakog rezanja.
- ▶ Rezanje na potezu pritiska može biti opasno jer se može dogoditi povratni udarac.
- ▶ Provjerite je li lanac dobro napet, kako se tijekom rezanja ne bi zaglavio. Ako se lanac zaglavi tijekom rezanja, odmah zaustavite motor motorne pile. Pomoću poluge podignite sječeno drva i oslobađajte se motorna pila.
- ▶ Pazite da se drvo ne siječe tijekom rezanja (Sl. 28).
- ▶ Vodite računa da lanac ne dotakne tlo tijekom rezanja (Sl. 29).

SIGURNOSNA PRA VILA KAK O IZBJEĆI POVRATNI UDAR

Kickback je vrlo naglo kretanje motorne pile. To se događa kada korisnik odreže predmet s gornjim kvadrantom nosa šipke, a šipka motorne pile skoči objekta, prema korisniku. Povratni udarac može postati vrlo opasan za korisnika i, stoga, budite i zuzetno oprezni prilikom klanjanja i izbjegavajte do dir trupca s nosom šipke. Štoviše, budite vrlo oprezni s udovima pod napetošću, jer se mogupomicati prema naprijed i premavama poputopruge, što vam može uzrokovati ozbiljne ozljede.

ODRŽAVANJE

UpozorenjePrije čišćenja, pregleda ili popravka vaše jedinice provjerite je li motor stao i je li cool. Isključite svjećicu kako biste spriječili slučajno pokretanje. Slijedite upute za provođenje redovitih postupaka održavanja, predoperacije i dnevnih rutina održavanja. Nepravilno održavanje može rezultirati ozbiljnim oštećenjem stroja.

ODRŽAVANJE NAKON SVAKE UPORABE

1. FILTER ZRAKA

Pršina na filtru za čišćenje može se ukloniti pranjem u otopini kućnog deterdženta i tople vode. Da biste očistili prljavštinu u mreže, uklonite poklopac za čišćenje i četkicu u benzinu. Kada koristite komprimirani zrak, udarac iznutra. (Sl. 15.1) kopča filtra zraka (Sl. 15.2) poklopac filtra zraka.

2. PRSKALICAZAULJE

Sjahnite šipku vodiča i provjerite utičnicu za ulje za začepljenje. (Sl. 19.1) Utičnica za ulje (Sl. 19.2) Uljni utičnica

3. TRAKA S VODIČEM

Kada se šipka vodilice sjaše, uklonite piljevinu u oturu bara (Sl. 21) i uliv za ulje (Sl. 18).

4. OSTALI

Provjerite ima li curenja goriva i labavih pričvršćivanja i oštećenja na većim dijelovima, posebno rukovati zglobovima i montažom šipke vodiča. Ako se pronadju bilo kakvi kvarovi, provjerite da li su ih popravili prije ponovnog rada.

PERIODIČNE SERVISNE TOČKE

1. PERAJE CILINDRA

Začepljenje prašine između peraja cilindra uzrokovat će pregrijavanje motora. Povremeno provjerite peraje nakon uklanjanja poklopca spojke, a zatim koristite tlačni zrak za čišćenje peraja cilindra.

2. FILTER GORIVA

(a) Pomoću žičane kuke izvadite filter iz priključka za punjenje.

(b) Rastaviti filter i oprati benzinom, ili zamijeniti novim ako je potrebno.

VAŽNO

- ▶ Nakon uklanjanja filtra koristite stiskalo za držanje kraja usisne cijevi.
- ▶ Prilikom sastavljanja filtra pazite da ne dopustite filterarska vlakna ili prašinu unutar usisne cijevi.

3. SVJEĆICA

Očistite elektrode žičanom četkom i po potrebi resetirajte razmak na 0,65mm (Sl. 23).
Vrstasvjećica: NGK CMR7H

4. LANČANIK

Provjerite ima li pukotina i ima li prekomjerne wear smetnje u lančanom pogonu. Ako je istrošenje znatno, ga zamijeniti novim. Nikada ne uklapajte novi lanac na istrošenu lančanik, ili istrošeni lanac na novom lancu (Sl. 24).

5. OPRUGE PREDNJEG I STRAŽNJEG UPIJAČA

Zamijenite ako je oštećena opruga prednjeg ili stražnjeg apsorzera.

VAŽNO Koristite samo rezervne dijelove koji su imenovani u ovom priručniku. Koristite drugi rezervni dio može uzrokovati ozbiljne ozljede.

LANAC PILE UPOZORENJE

Vrlo je važno za glatko i sigurno djelovanje kako bi rezači uvijek oštri. Vaše rezače treba naoštiti kada:

- ▶ Piljevina postaje u prahu.
- ▶ Trebate dodatnu silu da biste vidjeli u.
- ▶ Način rezanja ne ide ravno.
- ▶ Vibracije se povećavaju.
- ▶ Potrošnja goriva se povećava.

STANDARDI POSTAVLJANJA REZAČA:

Svakako nosite sigurnosne rukavice.

Prije podnošenja:

- ▶ Provjerite je li lanac pile čvrsto držan (Sl. 20).
- ▶ Provjerite je li motor zaustavljen.
- ▶ Za lanac koristite okruglu turpiju pravilne veličine. Veličina turpije: 3,2mm za sve modele. Postavite svoj dosje na rezač i gurnite ravno naprijed. Zadržite položaj turpije kao što je ilustrirano. Nakon što je postavljen svaki rezač, provjerite dubinski profil i fileirajte ga na odgovarajuću razinu kao što je ilustrirano.

VAŽNO Svakakozakružiteprednji rub kakobistesmanjilišansuza kickback ili tie-remen breakage. Provjeriteima li svakirezacituduljinuirubnekutovekaošto je prikazano.

TRAKA VODIČA

- ▶ Povremeno preokrećite traku kako biste spriječili djelomično trošenje.

- ▶ Bar željeznica uvijek treba biti trg. Provjerite trošenje (Sl. 22) barske ograde. Nanesite ravno na šipku i vanjsku stranu rezača. Ako se između njih uoč razmak, željeznica je normalna. Inače, bar željeznica ne nosi. Takvu traku treba ispraviti ili zamijeniti.

(1) Ravno (2) Razmak (3) Nema razmaka

SKLADIŠTENJE

1. Ispraznite spremnik za gorivo i ostanite bez goriva.
2. Ispraznite spremnik za ulje.
3. Očistite cijelu jedinicu.
4. Skladištite jedinicu na suhom mjestu, nedostupnom djeci

ODLAGANJE OTPADA I ZAŠTITA OKOLIŠA

Ostatke maziva za lance ili dvotaktne smjese goriva nika da nemojte sipati u odvodni ili kanalizacijski sustav ili tlo, već ih odložite na odgovarajući, ekološki prihvatljiv način, npr. Na posebno sabirno mjesto ili odlagalište. Ako bi vaš uređaj negdje u budućnosti trebao postati beskoristan ili vam više ne treba, nemojte ga odlagati zajedno s kućnim otpadom, već ga odložite na ekološki prihvatljiv način. Temeljito ispraznite spremnike za ulje / mazivo i gorivo, a ostatke odložite na posebno sabirno mjesto ili odlagalište. Također odložite sam uređaj na odgovarajuće mjesto za prikupljanje / recikliranje. Na taj se način plastični i metalni dijelovi mogu odvojiti i reciklirati. Informacije o odlaganju materijala i uređaja dostupne su kod vaše lokalne uprave.

GARANCIJA

Ovaj je proizvod zajamčen u skladu sa zakonskim propisima / propisima specifičnim za državu, koji stupaju na snagu od datuma kupnje od strane prvog korisnika. Oštećenja koja se mogu pripisati uobičajenom trošenju, preopterećenju ili nepravilnom rukovanju bit će isključena iz jamstva. U slučaju potraživanja, pošaljite stroj, potpuno sastavljen, na vaš trgovac.

Vrsta lanca	Promjer turpije	Kut gornje ploče	Kut dolje	Kut glave (55°)	Dubinomjer standard	
						Turpija
		Vise zakrenite kut	Cilj kut	Bočni kut		
E1	3,2mm	30°	10°	55°	0,52mm	
Dubinomjer			Turpija			

Broj artikla	48 299	
Model	GCS 325T PLUS	
Motor		
Pomak cilindra	cc	25,4
Cilindar dosadan	mm	35
Moždani udar, mm	mm	28
Brzina doklda	rpm	3.100±500
Maksimalna snaga motora	kW / hp	1 / 1,34
Maksimalna brzina motora	rpm	11.000
Sustav paljenja		
Razmak od elektrode	mm	0,6-0,7
Sustav podmazivanja goriva i podmazivanja		
Kapacitet spremnika goriva	litre	0,18
Kapacitet spremnika nafte	litre	0,14
Vrsta pumpe za ulje		Klipna pumpa
Težina		
Motorna pila bez šipke ili lanca	kg	2,5
Emisije buke		
Razina snage zvuka, izmjerena	dB(A)	99,2
Razina snage zvuka, zajamčena	Lwa dB	113
Razine zvuka		
Ekvivalentna razina tlaka zvuka na uhu operatera	dB(A)	99
Ekvivalentne razine vibracija		
Prednja ručka	m/s ²	9
Stražnja ručka	m/s ²	8,5
Lanac / traka		
Duljina šipke	cm	25cm
Visina	inč	1/4"
Tankoća pogonski linkovi	mm/inč	1,1 / 0,043"
Maksimalna brzina lanca	m/s	21

ROMÂNĂ

IDENTIFICARE

1. Lanț de ferăstrău
2. Bara de ghidare
3. Apărătoare frontale pentru mâini
4. Declanșatorul clapetei de accelerație
5. Maneta de blocare a declanșatorului clapetei de accelerație
6. Mâner spate
7. Exemplu de bec
8. Capacul filtrului de aer
9. Catarama de blocare
10. Mâner de pornire
11. Bujie
12. Mâner frontal
13. Rezervor de ulei
14. Rezervor de combustibil
15. Teaca ghidajului
16. Comutatorul motorului
17. Prindător de lanțuri
18. Șurub de tensionare a lanțului
19. Capacul ambreiajului
20. Buton de sufocare

NORME GENERALE DE SIGURANȚĂ

Citiți cu atenție acest manual înainte de a folosi ferăstrăul de lanț și aveți grijă de toate instrucțiunile de siguranță, pentru a preveni vătămarea și deteriorarea. Vă rugăm să transmiteți aceste instrucțiuni de siguranță oricărei alte persoane care utilizează motoserilul. Utilizați întotdeauna un bun simț pentru a evita toate situațiile luate în considerare dincolo de capacitatea dvs. Nu ezitați să ne contactați dacă aveți întrebări cu privire la utilizarea motoserinelor. Vă vom oferi sfaturi, precum și ajutor cu privire la modul de utilizare a motoserinului în siguranță.

ECHIPAMENT INDIVIDUAL DE PROTECȚIE

Utilizați întotdeauna echipamente de protecție personală, cum ar fi ochelari de siguranță, cască cu vizieră, mănuși de protecție, haine de protecție de la tăieturile lanțului, cizme de protecție și protecție auditivă.

ECHIPAMENTE DE SIGURANȚĂ PE FERĂSTRĂU

Paza de mână și frâna de lanț

Fierara este echipată cu o frână de lanț (Fig. 16) proiectată pentru a opri mișcarea lanțului, în caz de recul. Frâna cu lanț a fost proiectată pentru a preveni și reduce riscul de accidente.

Asigurați-vă că zona de retragere a barei nu atinge niciodată obiecte. Frâna de lanț poate fi activată manual cu mână (împingeți înainte) sau automat prin inerție, când motoserona atinge un obiect în jos. Activarea frânei de lanț se realizează cu mișcarea foarte bruscă și violentă a protecției mâinii, din cauza loviturii. Protecția de mână este de asemenea folosită pentru a proteja mâna care ține mânerul din față, de riscul de a lovi lanțul, dacă mâna pierde strânsoarea din mâner. Frâna cu lanț este de asemenea folosită ca frână de parcare și trebuie să fie cuplată înainte de pornirea motoserinului. Frâna de lanț trebuie dezactivată imediat la pornirea motoseriei.

Catcher de lanț

Catcherul de lanț este folosit pentru a prinde lanțul dacă sare din bara, din cauza tensiunii necorespunzătoare a lanțului. Catcherul de lanț protejează utilizatorul de răni grave. Dacă prinderea lanțului este rănită, acesta trebuie înlocuit cu unul nou.

Sistem de vibrații

Fierara este echipată cu elemente anti-vibrații, pentru a reduce la minimum vibrațiile și a facilita operația. Sistemul anti-vibrație protejează, de asemenea, utilizatorul de vibrații excesive, ceea ce poate duce la deteriorarea circulatorie sau la nivelul nervilor. Simptomele leziunilor circulatorii sunt pierderea senzației degetelor, durere, pierderea forței și modificări ale culorii pielii. Vibrațiile generate de motor și echipamentele tăiere sunt reduse și împiedicate să fie transferate pe mânerul de lanț. Cu cât lemnul tăiat este mai greu, cu atât nivelul de vibrații este mai ridicat și este mai ascuțit lanțul, cu atât nivelul de vibrații este mai mic.

ECHIPAMENTE DE TĂIERE

Dinții de lanț trebuie să fie întotdeauna într-o stare bine ascuțită. Lanț deteriorat sau nu bine ascuțit, poate crește riscul de accidente. Gestionarea și menținerea gabaritului corect de adâncime, deoarece garda prea mare crește riscul de recul. Gestionarea și menținerea tensiunii corecte a lanțului. Lanțul slab poate duce la saltul lanțului din bară și la uzura barei, a lanțului și a pinionului de antrenare. Gestionarea și unge corect echipamentul de tăiere. O lubrifiere slabă a lanțului poate duce la ruperea lanțului, la uzura pe bara și la conducerea pinionului.

Ascuțirea lanțului

Dacă nu sunteți familiarizat cu ascuțirea lanțului dvs. de ferăstrău, vă propunem să-l accentuați profesional la cel mai apropiat centru de service. Folosiți întotdeauna ochelari de protecție și mănuși atunci când ascuțiți lanțul. Utilizați un fișier rotund pentru a ascuți tăietorii cu lovituri exterioare. După ascuțirea tăieturilor, asigurați-vă că acestea au aceeași lățime și lungime. Limitatorul de adâncime trebuie scăzut după ascuțirea tăieturilor, folosind un fișier plat.

Tensiune în lanț

Tensiunea lanțului este foarte importantă și trebuie verificată înainte de acționarea motoseriei. Cu cât lanțul este mai bine tensionat, cu atât vei face cele mai bune reducerii! (Vezi bara și lanțul de montaj)

Ungere cu lanț

Fierara este echipată cu un sistem automat de ungeră a lanțului. Utilizați întotdeauna ulei de lanț indicat pentru lubrifierea lanțului și a barelor, cu o aderență bună la lanț. Uleiul de motor uzat nu trebuie utilizat niciodată, deoarece poate fi periculos pentru utilizator și poate duce la deteriorarea pompei de ulei.

INSTALAREA BAREI DE GHIDARE ȘI A LANȚULUI DE FERĂSTRĂU

Un pachet standard de unități de ferăstrău conține elementele prezentate mai jos:

(Fig. 1.1) Unitate de alimentare (Fig. 1.2) Lanț de ferăstrău (Fig. 1.3) Bara de ghidare (Fig. 1.4) Teaca barei de ghidare (Fig. 1.5) Cheie plug

Deschideți cutia și instalați bara de ghidare și lanțul de ferăstrău pe unitatea de alimentare, după urmează.

AVERTIZARE

Lațul de ferăstrău are margini foarte ascuțite. Folosiți mănuși de protecție pentru siguranță.

1. Trageți apărațoarea spre mânerul din față pentru a verifica dacă frâna cu lațul nu este pornită.
2. Slăbiți piulița (Fig. 2.1) și scoateți capacul lațului (Fig. 2.2). Fixați bara de protecție, dacă nu este deja asamblată; (Fig. 2.3) cu vârf cu două șuruburi (Fig. 2.4) în partea din față a ferăstrăului cu lațul (Fig. 2).

IMPORTANT

Bara de protecție cu țevă aparține ferăstrăului cu lațul. Trebuie înșurubat pe ferăstrăul cu lațul înainte de prima utilizare. Îndepărtați distanțierul (Fig. 3.1) de pe ferăstrău cu lațul (Fig. 3).

3. Montați bara de ghidare (Fig. 4.2) pe ansamblul motorului, apoi împingeți bara de ghidare spre ambreiaj (Fig. 4).
4. Montați lațul pe pinion în timp ce montați lațul în jurul barei de ghidare (Fig. 5).

NOTĂ Acordați atenție direcției corecte a lațului de ferăstrău.

5. Reglați poziția unghiei de tensionare a lațului și apoi introduceți unghia de tensionare în gaura inferioară a barei de ghidare (Fig. 6.3). Montați capacul ambreiajului pe unitatea de alimentare și fixați piulița de montare până la etanșeitatea degetelor (Fig. 7). În timp ce țineți vârful barei, reglați tensiunea lațului prin rotirea șurubului de tensionare până când curelele de cravată ating doar partea de jos a șinei barei (Fig. 8).
6. Strângeți piulița bine cu vârful barei ținut în sus (12 ~ 15 Nm). Apoi verificați lațul pentru rotație lină și tensiune corespunzătoare în timp ce se deplasează cu mâna. Dacă este necesar, reajustați-vă cu capacul lațului liber. Rotiți șurubul de tensionare (Fig. 6.4) în sensul acelor de ceasornic strângeți lațul, rotiți șurubul de tensionare (Fig. 6.4) în sens invers acelor de ceasornic pentru a slăbi lațul.
7. Verificați tensiunea lațului de ferăstrău. Folosiți mâna pentru a ridica legătura lațului care se poziționează pe mijlocul lungimii de tăiere cu o forță de aproximativ 10N. În cazul în care legătura lațului iese din șina de bara de ghidare întreg, aveți nevoie pentru a strânge din nou lațul.

IMPORTANT Este foarte important să se mențină tensiunea corespunzătoare a lațului. Uzura rapidă a barei de ghidare sau a lațului care se desprinde ușor poate fi cauzată de tensiunea necorespunzătoare. Mai ales atunci când se utilizează un lațul nou, să aibă grijă de ea, deoarece ar trebui să se extindă atunci când este utilizat pentru prima dată.

COMBUSTIBIL ȘI UNGERE

Fierara este echipată cu motor în 2 timpi; prin urmare, trebuie utilizat întotdeauna amestec de ulei de benzină 95 RON și ulei în doi timpi. Este foarte important să acordați atenție amestecului de combustibil pe care îl utilizați, deoarece trebuie obținut un amestec precis de ulei și combustibil. Cantități mici de ulei și amestec de combustibil cu mici inexactități, pot afecta raportul dintre amestec, ceea ce poate duce la supraîncălzirea motorului și daune grave la motor. Se recomandă utilizarea

amestecului cu combustibil cu un octan mai mare numai atunci când se lucrează continuu la turajii mari.

Ulei în doi timpi

Trebuie utilizat ulei în 2 timpi, special formulat pentru motoare în 2 timpi răcite cu aer. Nu folosiți ulei în 2 timpi, destinat motoarelor cu răcire cu apă. Nu folosiți niciodată ulei de calitate proastă și ulei de motor în 4 timpi.

Raport de amestecare

Pentru cele mai bune rezultate și performanțe, raportul de amestecare este de 2,5% cu clasa de ulei JASO FC sau ISO EGC cel puțin, formulat pentru motoare cu 2 timpi răcite cu aer.

Benzina, litru	Ulei în doi timpi, litru 2,5% (1:40)
4	0,10lt (100ml)
8	0,20lt (200ml)

Utilizați întotdeauna un recipient curat pentru combustibil înainte de a amesteca combustibilul. Amestecă și agită bine amestecul de combustibil înainte de a umple rezervorul de combustibil al mașinii. Nu folosiți amestecul de combustibil păstrat mai mult de o lună. Rezervorul de combustibil al mașinii trebuie golit înainte de depozitare.

Ulei de lațul

Folosiți ulei de lațul special, cu caracteristici bune de aderență. Uleiul de motor uzat nu trebuie utilizat niciodată, deoarece poate fi periculos pentru utilizator și poate duce la deteriorarea pompei de ulei. Fierara a fost proiectată în așa fel, în care rezervorul de ulei trebuie completat de fiecare dată când rezervorul de combustibil se golește.

NOTĂ: Opriți întotdeauna motorul și lăsați-l să se răcească înainte de realimentare. Nu fumați niciodată în timpul procesului de realimentare.

NOTĂ: Nu folosiți niciodată ferăstrăul cu lațul cu benzină 100%, fără a adăuga ulei în 2 timpi.

MOTORUL DE PORNIRE

1. Răsuciți și scoateți capacul de combustibil și capacul de ulei.
2. Umpleți rezervorul de combustibil (Fig. 9.1) și rezervorul de ulei la 80% din capacitatea maximă.
3. Fixați capacul de combustibil și rezervorul de ulei în siguranță și ștergeți orice scurgere de combustibil în jurul unității.
4. Puneți comutatorul (Fig. 10.1) în poziția "I".
5. Rotiți butonul de sufocare în sens invers acelor de ceasornic (Fig. 10.2) se va închide și maneta de accelerație va fi apoi setat în poziția de pornire.
6. Împingeți continuu becul de grund (Fig. 11.1) până când intră combustibil în bec.

NOTĂ

La repornirea imediat după oprirea motorului. Setajii sufoca în poziția deschisă. Odată ce butonul de sufocare a fost întors în sens invers acelor de ceasornic, acesta va reveni la poziția de rulare dacă apăsați pe trăgaciul de accelerație (Fig. 12.1) sau rotiți butonul de sufocare cu degetul. Când doriți să readuceți butonul de sufocare în poziția de funcționare, apăsați în schimb declanșatorul de accelerație (Fig. 12.1).

7. Împingeți apăraătoarea mânerului frontal în jos spre față pentru a activa frâna de lanț.
8. În timp ce țineți bine unitatea de ferăstrău pe pământ, trageți puternic frânghia de pornire.
9. Când are loc arderea, rotiți manual butonul de sufoare în sensul acelor de ceasornic. Apoi trageți din nou frânghia de pornire până când motorul pornește. Apăsăți imediat declanșatorul de accelerație pentru a permite revenirea accelerației în poziția de ralanti. Setarea manuală a choke-ului poate seta temporar accelerația într-o poziție parțial deschisă pentru a ajuta la pornirea.
10. Trageți în sus apăraătoarea mânerului din față spre mânerul din față pentru a elibera frâna. Apoi, lăsați motorul să se încălzească cu declanșatorul apăsat ușor.

AVERTIZARE Înainte de a porni motorul, asigurați-vă că lanțul de ferăstrău nu contactează nimic. Asigurați-vă că frâna cu lanț este întotdeauna activată înainte de fiecare pornire.

VERIFICAREA APROVIZIONĂRII CU ULEI

După pornirea motorului, rulați lanțul la viteză medie și vedeți dacă uleiul de lanț este împrăștiat așa cum se arată în figură.

IMPORTANT

Rezervorul de ulei ar trebui să devină aproape gol până la momentul în care combustibilul este folosit. Asigurați-vă că pentru a umple rezervorul de ulei de fiecare dată când realimentarea ferăstrăului.

VERIFICAREA FUNCȚIONALĂ A AMBREIAJULUI

Înainte de fiecare utilizare, trebuie să confirmați că nu există nicio mișcare a lanțului atunci când ferăstrăul cu lanț rulează la ralanti.

TEHNICI DE LUCRU

Urmați punctele menționate mai jos, pentru a vă efectua lucrările de tăiere în siguranță, fără accidente și răni.

- ▶ Dacă sunteți obosit, nu folosiți ferăstrăul cu lanț.
- ▶ Nu folosiți ferăstrăul cu lanț pe vreme rea.
- ▶ Țineți întotdeauna drijba cu ambele mâini (Fig. 25), în timp ce motorul funcționează.
- ▶ Asigurați-vă că zona din jurul vostru este lipsită de obstacole, care vă pot întrerupe în timp ce tăiați sau pot fi rănite de căderea copacilor sau a ramurilor.
- ▶ Asigurați-vă că stați ferm și că nu există nimic care să vă facă să vă pierdeți echilibrul.
- ▶ Fiți conștienți de faptul că accidentele de recul se întâmplă în cea mai mare parte în timpul membrilor (Fig. 27).
- ▶ Nu tăiați niciodată la o înălțime peste umeri și nu tăiați niciodată cu nasul barei (Fig. 25).
- ▶ Nu lucrați niciodată în picioare pe o scară, într-un copac sau acolo unde nu aveți un teren ferm pe care să stați (Fig. 26).
- ▶ Utilizați turații mari pe motorul ferăstrăului cu lanț, în timpul tăierii.
- ▶ Folosiți turația de ralanti după fiecare tăiere.
- ▶ Tăierea cursei de împingere poate fi periculoasă, deoarece se poate întâmpla o recul.
- ▶ Asigurați-vă că lanțul este bine tensionat, pentru a

nu se bloca în timpul tăierii. Dacă lanțul se blochează în timpul tăierii, opriți imediat motorul ferăstrăului cu lanț. Folosiți o părghie pentru a ridica lemnul tăiat și eliberați ferăstrăul cu lanț.

- ▶ Asigurați-vă că lemnul nu se desparte în timpul tăierii (Fig. 28).
- ▶ Asigurați-vă că lanțul nu va atinge solul în timpul tăierii (Fig. 29).

Reguli de siguranță o privire la modul de evitare a reculului Kickback este o mișcare foarte bruscă a ferăstrăului. Se întâmplă atunci când utilizatorul taie un obiect cu cadranul superior al nasului de bare și bara cu lanț sare de pe obiect, spre utilizator. Kickback-ul poate deveni foarte periculos pentru utilizator și, prin urmare, să fie extrem de precaut atunci când faceți membrii și evitați să contactați jurnalul cu nasul barei. Mai mult decât atât, fiți foarte precaut cu membrele aflate în tensiune, deoarece acestea se pot deplasa înapoi și spre dvs. ca un arc, ceea ce vă poate provoca răni grave.

ÎNȚREȚINERE

AVERTIZARE

Înainte de curățarea, inspectarea sau repararea unității, asigurați-vă că motorul s-a oprit și este rece. Deconectați bujiile pentru a preveni pornirea accidentală. Urmați instrucțiunile pentru a efectua întreținerea regulată, procedurile de preoperare și rutinele zilnice de întreținere. Întreținerea necorespunzătoare poate duce la deteriorarea gravă a aparatului.

ÎNȚREȚINERE DUPĂ FIECARE UTILIZARE

1. FILTRU DE AER

Prul de pe filtrul de curățare poate fi îndepărtat prin spălarea într-o soluție de detergent de uz casnic și apă caldă. Pentru a curăța murdăria din ochiuri, scoateți capacul de curățare și perie în benzină. Când utilizați aer comprimat, suflați din interior. (Fig. 15.1) piuliță filtru de aer (Fig. 15.2) cataramă filtru de aer (Fig. 15.3).

2. PULVERIZATOR DE ULEI

Demontați bara de ghidare și verificați ieșirea de ungere pentru infundare. (Fig. 19.1) Oilizare (Fig. 19.2) admisie ulei.

3. BARA DE GHIDARE

Când bara de ghidare este demontată, îndepărtați rumegușul din canalura barei (Fig. 21) și intrarea de ungere (Fig. 18).

4. ALTELE

Verificați dacă există scurgeri de combustibil și închizători lejere și deteriorări ale pieselor principale, în special îmbinări mâner și montarea barei de ghidare. Dacă se găsesc defecte, asigurați-vă că le reparați înainte de a funcționa din nou.

PUNCTE DE SERVICE PERIODICE

1. ARIPIOARE CILINDRICE

Înfundarea prafului între aripioarele cilindrice va provoca supraîncălzirea motorului. Verificați periodic aripioarele după îndepărtarea capacului ambreiajului, apoi folosiți aerul sub presiune pentru a curăța aripioarele cilindrului.

2. FILTRU DE COMBUSTIBIL

(a) Cu ajutorul unui cârlig de sârmă, scoateți filtrul din

portul de umplere.

(b) Demontați filtrul și spălați-l cu benzină sau înlocuiți-l cu unul nou, dacă este necesar.

IMPORTANT

- ▶ După îndepărtarea filtrului, utilizați un vârf de cuțit pentru a ține capătul țevii de aspirare.
- ▶ La asamblarea filtrului, aveți grijă să nu permiteți fibre de filtrare sau praf în interiorul conductei de aspirare.

3. BUJIE

Curățați electrozii cu o perie de sârmă și resetați spațiul la 0,65 mm, după este necesar (Fig. 23).

Tip bujie: NGK CMR7H

4. PINION

Verificați dacă există fisuri și uzură excesivă care interferează cu unitatea de lanț. În cazul în care uzura este considerabilă, înlocuiți-l cu unul nou. Nu se potrivesc niciodată un lanț nou pe un pinion uzat, sau un lanț uzat pe un pinion nou (Fig. 24).

5. ARCURI ABSORBANTE FAȚĂ ȘI SPATE

Înlocuiți dacă arcul absorbantului din față sau din spate este deteriorat.

IMPORTANT

Utilizați numai piesele de schimb care au fost numite în acest manual. Utilizarea altor piese de schimb poate provoca răni grave.

LANȚ DE FERĂSTRĂU

AVERTIZARE

Este foarte important pentru funcționarea netedă și în condiții de siguranță pentru a menține tăietori întotdeauna ascuțiți.

Tăietoarele trebuie să fie ascuțite atunci când:

- ▶ Rumegușul devine ca o pulbere.
- ▶ Ai nevoie de forță suplimentară pentru a vedea în.
- ▶ Modul de tăiere nu merge drept.
- ▶ Crește vibrațiile.
- ▶ Consumul de combustibil crește.

STANDARDE DE STABILIRE A TĂIETORULUI:

Asigurați-vă că purtați mănuși de siguranță.

Înainte de depunere:

- ▶ Asigurați-vă că lanțul de ferăstrău este ținut în siguranță (Fig. 20).
- ▶ Asigurați-vă că motorul este oprit.
- ▶ Utilizați un pilă rotund de dimensiuni adecvate pentru lanțul dumneavoastră.

Dimensiunea pilei: 3,2mm pentru toate modelele.

Așezați pilei pe tăietor și împingeți drept înainte. Păstrați poziția pilei așa este ilustrată.

După ce fiecare tăietor a fost setat, verificați ecartamentul de adâncime și puneți-l la nivelul corespunzător, așa este ilustrat.

IMPORTANT

Asigurați-vă că pentru a rotunji de pe marginea din față pentru a reduce riscul de recul sau cravată-curea rupere. Asigurați-vă că fiecare tăietor are aceleași unghiuri de lungime și margine ca cele ilustrate.

BARĂ DE GHIDARE

- ▶ Inversați bara ocazional pentru a preveni uzura

parțială.

- ▶ Șina barului trebuie să fie întotdeauna un pătrat. Verificați uzura șinei de bar. Aplicați o riglă (Fig. 22) pe bară și în exteriorul unui tăietor. Dacă se observă un decalaj între ele, șina este normală. În caz contrar, șina barului este uzată. O astfel de bară trebuie corectată sau înlocuită.

(1) Riglă (2) Decalaj (3) Fără decalaj

DEPOZITARE

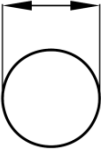
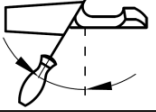
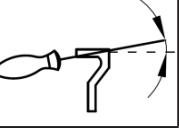
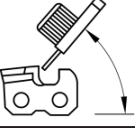
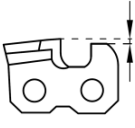
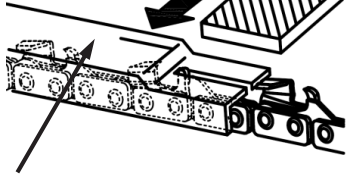

1. Goliți rezervorul de combustibil și rulați motorul fără combustibil.
2. Goliți rezervorul de ulei.
3. Curățați întreaga unitate.
4. Păstrați unitatea într-un loc uscat, la îndemâna copiilor

ELIMINAREA DEȘEURILOR ȘI PROTECȚIA MEDIULUI

Nu turnați niciodată resturi de lubrifiant pentru lanț sau amestec de combustibil în 2 timpi în sistemul de canalizare sau canalizare sau sol, ci aruncați-le într-un mod adecvat, ecologic, de exemplu, într-un punct special de colectare sau în haldă. Dacă dispozitivul dvs. ar trebui să devină inutil de ceva timp în viitor sau nu mai aveți nevoie de el, nu aruncați dispozitivul împreună cu deșeurile menajere, ci aruncați-l într-un mod ecologic. Goliți bine uleiul / lubrifiantul și rezervoarele de combustibil și aruncați resturile într-un punct special de colectare sau în haldă. De asemenea, aruncați dispozitivul însuși la un punct de colectare / reciclare corespunzător. Procedând astfel, piesele din plastic și metal pot fi separate și reciclate. Informațiile privind eliminarea materialelor și dispozitivelor sunt disponibile de la administrația locală.

GARANȚIE

Acest produs este garantat în conformitate cu reglementările legale / specifice țării, începând cu data cumpărării de către primul utilizator. Daunele atribuite uzurii normale, suprasolicitării sau manipularii necorespunzătoare vor fi excluse din garanție. În cazul unei reclamații, vă rugăm să trimiteți mașina, complet asamblată, la dealerul tău.

Tipul lanțului	Diametrul pilei	Unghiul plăcii superioare	Unghi descendent	Unghiul capului (55°)	Manometru standard
					
		Unghiul de rotație al menșurii	Unghiul obiectivului	Unghiul lateral	
E1	3.2mm	30°	10°	55°	0.52mm
					
Calibru de adâncime			Pilă		

Numarul articolului	48 299	
Model	GCS 325T PLUS	
Motor		
Deplasarea cilindrilor	cc	25,4
Țeavă cilindrică	mm	35
Cursă	mm	28
Viteza de ralanti	rpm	3.100±500
Puterea maximă a motorului	kW / hp	1 / 1,34
Turația maximă a motorului	rpm	11.000
Sistem de aprindere		
Decalaj electrod	mm	0,6-0,7
Sistem de alimentare cu combustibil și lubrifiere		
Capacitatea rezervorului de combustibil	litru	0,18
Capacitatea rezervorului de ulei	litru	0,14
Tipul pompei de ulei		Pompă piston
Greutate		
Drujbă fără bară sau lanț	kg	2,5

Numarul articolului		48 299
Model	GCS 325T PLUS	
Emisiile sonore		
Nivelul puterii acustice, măsurat	dB(A)	99,2
Nivel de putere acustică, garantat	Lwa dB	113
Nivelurile de sunet		
Nivel echivalent al presiunii acustice la urechea operatorului	dB(A)	99
Niveluri de vibrații echivalente		
Mâner frontal	m/s ²	9
Mâner spate	m/s ²	8,5
Lanț / bar		
Lungimea barei	cm	25cm
Pitch	inch	1/4"
Thickness de link-uri de unitate	mm/inch	1,1 / 0,043"
Viteza maximă a lanțului	m/s	21

MAGYAR

AZONOSÍTÁS

1. Fűrészlánc
2. Vezetőléc
3. Első kézvédő
4. Fojtószelep kioldó
5. Fojtószelep-reteszelő kar
6. Hátsó fogantyú
7. Alapozó izzó
8. Levegőszűrő fedele
9. Zárcsat
10. Indító fogantyú
11. Gyújtógyertya
12. Első fogantyú
13. Olajtartály
14. Üzemanyag tartály
15. Vezetőrúd hüvely
16. Motor kapcsoló
17. Láncfogó
18. Láncfeszítő csavar
19. Tengelykapcsoló burkolat
20. Fojtógomb

ÁLTALÁNOS BIZTONSÁGI SZABÁLYOK

A láncfűrész használata előtt figyelmesen olvassa el ezt a kézikönyvet, és ügyeljen minden biztonsági előírásra, hogy elkerülje a sérüléseket és károkat. Kérjük, továbbítsa ezeket a biztonsági utasításokat minden olyan személynek, aki használja a láncfűrészét. Mindig használja a józan eszét, hogy elkerüljön minden olyan helyzetet, amely meghaladja képességeit. Ne habozzon kapcsolatba lépni velünk, ha bármilyen kérdése van a láncfűrészek használatával kapcsolatban. Tanácsokat és segítséget adunk a láncfűrész biztonságos használatához.

EGYÉNI VÉDŐESZKÖZÖK

Mindig használjon személyi védőfelszerelést, például védőszemüveget, sisakot napellenzővel, védőkesztyűt, védőruhát a láncvágás ellen, védőcipőt és hallásvédőt.

BIZTONSÁGI FELSZERELÉS A LÁNCFÜRÉSEN

Kézvédő és láncfék

A láncfűrész láncfékkel van felszerelve (16. ábra), amely visszarúgás esetén megállítja a lánc mozgását. A láncfékét úgy tervezték, hogy megelőzze és csökkentse a balesetveszélyt.

Ügyeljen arra, hogy a rúd visszarúgási zónája soha ne érjen hozzá semmilyen tárgyhoz. A láncfék kézzel (előre tolva) vagy automatikusan a tehetetlenséggel aktiválható, amikor a láncfűrész lefelé ütközik egy tárgynak. A láncfék aktiválása a kézvédő nagyon hirtelen és heves mozgásával történik, a visszarúgás miatt. A kézvédő arra is szolgál, hogy megvédje az első fogantyút tartó kezét a lánchoz való ütközés veszélyétől, ha a kéz elveszíti a fogantyúról való fogást.

Láncfékét rögzítőfékként is használják, és a láncfűrész elindítása előtt be kell kapcsolni. A láncfékét azonnal ki kell kapcsolni, amikor a láncfűrész elindul.

Láncfogó

A láncfogó arra szolgál, hogy megfogja a láncot, ha az kiugrik a rúdból, a lánc nem megfelelő feszítése miatt. A láncfogó megvédi a felhasználót a súlyos sérülések-

től. Ha a láncfogó megsérül, ki kell cserélni egy újra.

Vibrációs rendszer

Láncfűrész rezgéscsillapító elemekkel van felszerelve a vibráció minimalizálása és a kezelés megkönnyítése érdekében. A rezgéscsillapító rendszer megvédi a felhasználót a túlzott vibrációtól is, amely keringési vagy idegkárosodáshoz vezethet. A keringési károsodás tünetei az ujjak érzésének elvesztése, fájdalom, erővesztés és a bőrszín megváltozása. A motor és a vágóberendezés által keltett vibráció csökken, és nem kerül át a láncfűrész fogantyúira. Minél keményebb a vágott fa, annál magasabb a rezgésszint és minél élesebb a lánc, annál alacsonyabb a rezgésszint.

VÁGÓ BERENDEZÉSEK

Lánc fogainak mindig jól élezett állapotban kell lenniük. A sérült vagy nem megfelelően élezett lánc növelheti a balesetek kockázatát. Kezelje és tartsa karban a megfelelő mélységmérőt, mivel a túl nagy távolság növeli a visszarúgás kockázatát. Kezelje és tartsa fenn a lánc megfelelő feszességét. A laza lánc a lánc kiugrásához vezethet a rúdból, és a rúd, a lánc és a meghajtó lánckerék kopásához vezethet. Kezelje és megfelelően kenje meg a vágóberendezést. A lánc nem megfelelő kenése a lánc eltöréséhez, a rúd és a lánckerék kopásához vezethet.

Láncélezés

Ha nem jártas a láncfűrészlánc élezésében, javasoljuk, hogy szakemberrel éltesse meg a legközelebbi szervizben.

A lánc élezésekor mindig használjon védőszemüveget és védőkesztyűt. Használjon kerek reszelőt a vágóélek kifelé irányuló mozdulatokkal történő élezéséhez. A marók élezése után győződjön meg arról, hogy a szélességük és hosszúságuk azonos. A mélységhatárolót a marók élezése után, lapos reszelő segítségével le kell engedni.

Láncfeszítés

A lánc feszessége nagyon fontos, és a láncfűrész használata előtt ellenőrizni kell. Minél jobban meg van feszítve a lánc, a legjobb vágásokat hajtja végre! (Lásd: szerelőléc és lánc)

Lánckenés

A láncfűrész automatikus lánckenő rendszerrel van felszerelve. Mindig olyan láncolajat használjon, amely a lánc és a léc kenésére javasolt, és jó tapadású a lánchoz. A használt motorolajat soha nem szabad használni, mert az veszélyes lehet a felhasználóra nézve, és az olajszivattyú károsodásához vezethet.

VEZETŐLEMEZ ÉS FÜRÉSZLÁNC FELSZERELÉSE

A szabványos fűrészegység-csomag az alábbi elemeket tartalmazza: (1. ábra)

- (1.1. ábra) Erőmű (1.2. ábra) Fűrészlánc
- (1.3. ábra) Vezetőrúd (1.4. ábra) Vezetőrúd hüvely
- (1.5. ábra) Dugókulcs

Nyissa ki a dobozt, és szerelje fel a vezetőlemezt és a fűrészlancot a tápegységre az alábbiak szerint.

FIGYELEM

A fűrészlancnak nagyon éles szélei vannak. A biztonság érdekében használjon védőkesztyűt.

1. Húzza a védőburkolatot az első fogantyú felé, hogy ellenőrizze, nincs-e bekapcsolva a láncfék.
2. Lazítson meg egy anyát (2.1. ábra) és vegye le a

tengelykapcsoló fedelét (2.2. ábra) Rögzítse a tuskés lökhárítót, ha még nincs összeszerelve (2.3. ábra) két csavarral (2.4. ábra) a láncfűrész elején (2.4. ábra). 2. ábra).

FONTOS A tuskés lökhárító a láncfűrészhez tartozik. Az első használat előtt fel kell csavarni a láncfűrészre. Távolítsa el a távtartót (3.1. ábra) a láncfűrészről (3. ábra).

3. Illesze a vezetőrudat (4.2. ábra) a tápegységre, majd tolja a vezetőlapot a tengelykapcsoló felé (4. ábra).
4. Helyezze a láncot a lánckerékre, miközben a fűrészláncot a vezetőlemez köré szereli (5. ábra).

Megjegyzés Ügyeljen a fűrészlánc helyes irányára.

5. Állítsa be a láncfeszítő szög helyzetét, majd helyezze be a feszítőszeget a vezetőléccs alsó furatába (6.3. ábra). Szerelje fel a tengelykapcsoló fedelét a tápegységre, és rögzítse a rögzítőanyát ujjszorítóval. (7. ábra). A rúd hegyét felfelé tartva állítsa be a lánc feszességét a feszítőcsavar elforgatásával, amíg a kötőhevederek éppen nem érintik a rúdcsín alsó oldalát (8. ábra).
6. Húzza meg szorosan az anyát úgy, hogy a rúd hegye felfelé legyen (12 ~ 15 Nm). Ezután ellenőrizze a lánc egyenletes forgását és megfelelő feszességét, miközben kézzel mozgatja. Ha szükséges, lazítsa meg a láncfedelét.
7. Forgassa el a feszítőcsavart (6.4. ábra) az óramutató járásával megegyező irányba a lánc meghúzásához, a feszítőcsavart (6.4. ábra) az óramutató járásával ellentétes irányba, hogy meglazítsa a láncot.

Ellenőrizze a fűrészlánc feszességét. Körülbelül 10 N erővel emelje fel a kezével a láncszemet, amely a vágási hossz közepén helyezkedik el. Ha a láncszem teljesen kimegy a vezetőlemez sínéből, újra meg kell húzni a láncot.

FONTOS Nagyon fontos a megfelelő láncfeszesség fenntartása. A vezetőlemez gyors kopását vagy a lánc könnyen leszakadását a nem megfelelő feszítés okozhatja. Különösen új lánc használatakor ügyeljen rá, mert első használatkor ki kell tágulnia.

TANKOLÁS ÉS KENÉS

A láncfűrész kétütemű motorral van felszerelve; ezért mindig 95 RON benzint és kétütemű olaj keverékét kell használni. Nagyon fontos, hogy ügyeljen a használt üzemanyag-keverékre, mivel az olaj és az üzemanyag pontos keverékét kell elérni. Kis mennyiségű olaj és üzemanyag keverék kis pontatlanságokkal befolyásolhatja a keverék arányát, ami a motor túlmelegedéséhez és a motor súlyos károsodásához vezethet. Magasabb oktánszámú üzemanyaggal való keveréket csak folyamatos, nagy fordulatszámon történő munkavégzés esetén javasolt használni.

Kétütemű olaj

léghűtéses kétütemű motorokhoz speciálisan kialakított kétütemű olajat kell használni. Ne használjon vízhűtéses motorokhoz való kétütemű olajat. Soha ne használjon rossz minőségű olajat és négyütemű motorolajat.

Keverési arány

A legjobb eredmény és teljesítmény érdekében a keverési arány 2,5% legalább JASO FC vagy ISO EGC olajosztályú, léghűtéses kétütemű motorokhoz.

Benzin, liter	2-ütemű olaj, liter 2,5% (1:40)
4	0,10lt (100ml)
8	0,20lt (200ml)

Az üzemanyag keverése előtt mindig tiszta üzemanyagotartályt használjon. A gép üzemanyagotartályának feltöltése előtt alaposan keverje össze és rázza fel az üzemanyagkeveréket. Ne használjon egy hónapnál tovább tárolt üzemanyag-keveréket. Tárolás előtt a gép üzemanyagotartályát ki kell üríteni.

Láncolaj

Használjon speciális, jó tapadási tulajdonságokkal rendelkező láncolajat. A használt motorolajat soha nem szabad használni, mert az veszélyes lehet a felhasználóra nézve, és az olajszivattyú károsodásához vezethet. A láncfűrész úgy tervezték, hogy az olajotartályt minden alkalommal fel kell tölteni, amikor az üzemanyagotartály kiürül.

Megjegyzés Tankolás előtt mindig kapcsolja ki a motort, és hagyja kihűlni. Soha ne dohányozzon a tankolási folyamat során.

Megjegyzés Soha ne működtesse a láncfűrész 100%-os benzinnel, kétütemű olaj hozzáadása nélkül.

MOTOR INDÍTÁSA

1. Csavarja le és távolítsa el a tanksapkát és az olaj-sapkát.
2. Töltse fel az üzemanyagotartályt (9.1. ábra) és az olajotartályt a teljes kapacitás 80%-ára.
3. Rögzítse szilárdan az üzemanyag-sapkát és az olajotartályt (9.2. ábra), és törölje le az egység körül kiömlött üzemanyagot.
4. Állítsa a kapcsolót (10.1. ábra) „I” állásba.
5. Forgassa el a szivató gombot az óramutató járásával ellentétes irányba (10.2. ábra). A szivató zár, és a gázkar kiinduló helyzetbe áll.
6. Folyamatosan nyomja be a primer izzót (11.1. ábra), amíg az üzemanyag meg nem érkezik az izzóba.

Jegyzet

A motor leállítása után azonnali újraindításkor. Állítsa a fojtót nyitott helyzetbe. Miután a szivató gombot az óramutató járásával ellentétes irányban elforgatta, visszaáll a működési helyzetbe, ha megnyomja a gázkar ravaszt (12.1. ábra), vagy az ujjával az óramutató járásával megegyező irányba forgatja a szivató gombot. Ha vissza akarja állítani a szivató gombot működési helyzetbe, nyomja meg inkább a fojtószelep-kioldót (12.1. ábra).

7. Nyomja le az első fogantyúvédőt előre a láncfék aktiválásához.
8. Miközben a fűrészegységet biztonságosan a talajon tartja, erőteljesen húzza meg az indítókötelet (13. ábra).
9. Tüzelés esetén kézzel forgassa el a szivató gombot az óramutató járásával megegyező irányba. Ezután ismét húzza meg az indítókötelet, amíg a

motor be nem indul. Azonnal nyomja meg a gázkart, hogy a fojtószelep visszatérjen az alapjáratú helyzetbe. A szívató kézi beállítása átmenetileg részben nyitott helyzetbe állíthatja a fojtószelepet, hogy megkönnyítse az indítást.

- 10.** fűk kioldásához húzza fel az első fogantyúvédőt az első fogantyú felé. Ezután hagyja a motort felmelegedni, miközben a ravaszt enyhén meghúzza.

FIGYELMEZTETÉS A motor beindítása előtt győződjön meg arról, hogy a fűrészlánc nem érintkezik semmivel. Minden indítás előtt győződjön meg arról, hogy a láncfék mindig be van kapcsolva.

OLAJJELLÁTÁS ELLENŐRZÉSE

A motor beindítása után járassa a láncot közepes fordulatszámra, és nézze meg, nem szóródik-e ki a láncolaj a 14. ábrán látható módon.

FONTOS Az olajtartálynak majdnem ki kell ürülnie, mire az üzemanyag elfogy. Ügyeljen arra, hogy minden alkalommal újratöltse az olajtartályt a fűrész tankolásakor.

A TENGYELYKAPCSOLÓ MŰKÖDÉSI ELLENŐRZÉSE

Minden használat előtt meg kell győződnie arról, hogy nincs-e láncmozgás, amikor a láncfűrész alapjáraton működik.

MUNKATECHNIKÁK

Kövesse az alábbi pontokat, hogy biztonságosan, balesetek és sérülések nélkül végezze el a fűrészelést.

- ▶ Ha fáradt, ne használja a láncfűrész.
- ▶ Ne használja a láncfűrész rossz időben.
- ▶ Járó motor mellett mindig két kézzel fogja meg a láncfűrész (25. ábra).
- ▶ Győződjön meg arról, hogy a körülötte lévő terület mentes az akadályoktól, amelyek megzavarhatják Önt vágás közben, vagy megsérülhetnek a lehulló fák vagy ágak miatt.
- ▶ Győződjön meg róla, hogy szilárdan áll, és nincs semmi olyan, ami elveszítheti az egyensúlyát.
- ▶ Ügyeljen arra, hogy a visszarúgási balesetek többnyire a végtagolás során történnek (27. ábra).
- ▶ Soha ne vágjon a váll feletti magasságban, és soha ne vágjon a rúd orrával (25. ábra).
- ▶ Soha ne dolgozzon létrán, fán vagy olyan helyen, ahol nincs szilárd talaj a felálláshoz (26. ábra).
- ▶ Vágás közben használjon magas fordulatszámot a láncfűrész motorján.
- ▶ Használjon alapjáratú fordulatszámot minden vágás után.
- ▶ A tolóőket levágása veszélyes lehet, mivel visszarúgás történhet.
- ▶ Ügyeljen arra, hogy a lánc jól meg legyen feszítve, nehogy elakadjon vágás közben. Ha a lánc vágás közben elakad, azonnal állítsa le a láncfűrész motorját. Egy kar segítségével emelje fel a kivágott fát és engedje ki a láncfűrész.
- ▶ Ügyeljen arra, hogy a fa ne hasadjon szét vágás közben (28. ábra).
- ▶ Ügyeljen arra, hogy a lánc ne érjen a talajhoz vágás közben (29. ábra).

BIZTONSÁGI SZABÁLYOK A VISSZARÚGÁS ELKERÜLÉSÉRE

A visszarúgás a láncfűrész nagyon hirtelen mozgása. Ez akkor fordul elő, amikor a felhasználó a rúd orránál felső negyedével elvág egy tárgyat, és a láncfűrészlap leugrik a tárgyról, a felhasználó felé. A visszarúgás nagyon veszélyes lehet a felhasználóra nézve, ezért legyen rendkívül óvatos a gallyazás során, és kerülje a rúd orrával való érintkezését. Sőt, legyen nagyon óvatos a megfeszített végtagokkal, mert rugószerűen hátrafelé és feléd mozoghatnak, ami komoly sérülést okozhat.

KARBANTARTÁS

FIGYELMEZTETÉS Az egység tisztítása, ellenőrzése vagy javítása előtt győződjön meg arról, hogy a motor leállt és lehűlt. Húzza ki a gyújtógyertyát a véletlen indítás elkerülése érdekében. Kövesse az utasításokat a rendszeres karbantartás, az üzemeltetés előtti eljárások és a napi karbantartási rutinok elvégzéséhez. A nem megfelelő karbantartás a gép súlyos károsodását okozhatja.

Karbantartás minden használat után

1. LÉGSZŰRŐ

A tisztító szűrőn lévő port háztartási mosószeres és meleg vízben történő mosással távolíthatja el. A hálóban lévő szennyeződések tisztításához távolítsa el a tisztító fedelét, és kenje be benzinnel. Sűrített levegő használatokor fújja belülről. (15.1. ábra) légszűrő csatja (15.2. ábra) légszűrő fedele.

2. OLAJÓZÓ PERMETEZŐ

Szerelje le a vezetőlemezt, és ellenőrizze, hogy nincs-e eltömődve az olajozó kimenet. (19.1. ábra) Olajozási kimenet (19.2. ábra) Olajbemenet

3. VEZETŐLÉC

A vezetőlemez leszerelése után távolítsa el a fűrészport a rúd hornyából (21. ábra) és az olajozó nyílásból (18. ábra).

4. EGYEBEK

Ellenőrizze az üzemanyag-szivárgást és a laza rögzítéseket, valamint a fő alkatrészek sérüléseit, különösen a fogantyúk csuklóit és a vezetőrúd rögzítését. Ha bármilyen hibát talál, az újbóli használat előtt feltétlenül javíttassa meg azokat.

IDŐSZAKOS SZERVIZPONTOK

1. HENGERBORDÁK

A hengerbordák közötti por eltömődés a motor túlmelegedését okozza. Rendszeresen ellenőrizze a bordákat a tengelykapcsoló burkolatának eltávolítása után, majd nyomás alatti levegővel tisztítsa meg a hengerbordákat.

2. ÜZEMANYAGSZŰRŐ

- (a) Egy huzalkampó segítségével vegye ki a szűrőt a betöltőnyílásból.
- (b) Szerelje szét a szűrőt, és mossa le benzinnel, vagy cserélje ki egy újra, ha szükséges.

FONTOS

- ▶ A szűrő eltávolítása után szorítsa meg a szívócső végét.
- ▶ A szűrő összeszerelésekor ügyeljen arra, hogy ne kerüljön szűrőszálak vagy por a szívócsőbe.

3. GYÚJTÓGYERTYA

Tisztítsa meg az elektródákat drótkéfével, és szükség szerint állítsa vissza a hézagot 0,65 mm-re (23. ábra). Gyújtógyertya típus: NGK CMR7H

4. LÁNCKERÉK

Ellenőrizze, hogy nincsenek-e repedések és túlzott kopás, amely zavarja-e a lánchajtást. Ha jelentős a kopás, cserélje ki újra. Soha ne szereljen fel új láncot elhasznált láncok helyére, vagy kopott láncot új láncok helyére (24. ábra).

5. ELSŐ ÉS HÁTSÓ ABSZORBER RUGÓ

Cserélje ki, ha az első vagy a hátsó abszorber rugó sérült.

FONTOS

Csak az ebben a kézikönyvben megnevezett pótalkatrészeket használja. A másik alkatrész használata súlyos sérülést okozhat.

FŰRÉSZLÁNC FIGYELEM

A zökkenőmentes és biztonságos működéshez nagyon fontos, hogy a marók mindig élesek legyenek.

A vágókat akkor kell élezni, ha:

- ▶ A fűrészpor porszerűvé válik.
- ▶ A befűrészeléshez extra erőre van szükség.
- ▶ A vágott út nem megy egyenesen.
- ▶ A vibráció növekszik.
- ▶ Az üzemanyag-fogyasztás nő.

VÁGÓBEÁLLÍTÁSI SZABVÁNYOK:

Feltétlenül viseljen védőkesztyűt.

Beadás előtt:

- ▶ Győződjön meg arról, hogy a fűrészlanc biztonságosan van rögzítve. (20. ábra).
- ▶ Győződjön meg arról, hogy a motor leállt.
- ▶ Használjon megfelelő méretű kerek reszelőt a lánchoz.

Fájlméret: 3,2 mm minden modellhez.

Helyezze a reszelőt a vágóra, és nyomja egyenesen előre. Tartsa a fájll pozícióját az ábrán látható módon. Miután minden vágót beállított, ellenőrizze a mélységmérőt, és reszelje le a megfelelő szintre az ábrán látható módon.

FONTOS

Ügyeljen arra, hogy az első élt lekerekítse, hogy csökkentse a visszarúgás vagy a kötőzsinór elszakadásának esélyét.

Győződjön meg arról, hogy minden vágó ugyanolyan hosszúságú és élszögű, mint az ábrán.

VEZETŐLÉC

- ▶ A részleges kopás elkerülése érdekében időnként fordítsa meg a rudat.
- ▶ A rúdsínnek mindig négyzet alakúnak kell lennie. Ellenőrizze a rúdsín kopását (22. ábra). Vigyen fel vonalzó a rúdra és a vágó külsejére. Ha rés figyelhető meg közöttük, a sín normális. Ellenkező esetben a rúdsín kopott. Az ilyen rudat ki kell javítani vagy ki kell cserélni.
- ▶ (1) Vonalzó (2) Hézag (3) Nincs rés

TÁROLÁS

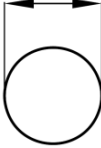
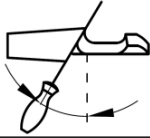
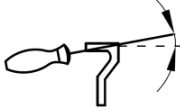
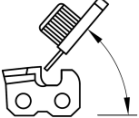
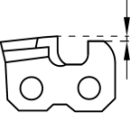
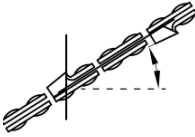


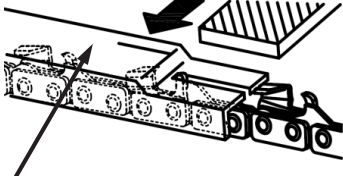
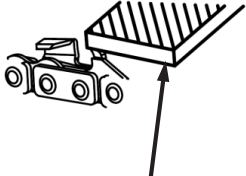
1. Ürítse ki az üzemanyagtartályt, és ürítse ki a motort.
2. Ürítse ki az olajtartályt.
3. Tisztítsa meg az egész egységet.
4. A készüléket száraz helyen, gyermekektől elzárva tárolja.

HULLADÉKELHELYEZÉS ÉS KÖRNYEZETVÉDELLEM

Soha ne öntse a lánckenőanyag vagy a kétütemű üzemanyag-keverék maradékát a lefolyóba vagy a csatornába vagy a talajba, hanem megfelelő környezetbarát módon, pl. speciális gyűjtőhelyen vagy személtelrakóba dobja. Ha a készüléke a jövőben valahol használhatatlanná válna, vagy már nincs rá szüksége, ne a háztartási hulladékkal együtt dobja ki a készüléket, hanem környezetbarát módon dobja ki. Alaposan ürítse ki az olaj-/kenőanyag- és üzemanyagtartályokat, a maradékot pedig dobja egy speciális gyűjtőhelyre vagy lerakóba. Kérjük, magát a készüléket is a megfelelő gyűjtő-/újrahasznosítási helyen adja le. Ezzel a műanyag és fém alkatrészek szétválaszthatók és újrahasznosíthatók. Az anyagok és eszközök ártalmatlanítására vonatkozó információk a helyi önkormányzattól szerezhetők be.

GARANCIA

Erre a termékre a törvényi/országspecifikus előírásoknak megfelelő garanciát vállalunk, amely az első felhasználó általi vásárlás napjától érvényes. A normál kopásból, túlterhelésből vagy szakszerűtlen kezeléssel eredő károk nem tartoznak a garancia hatálya alá. Reklamáció esetén kérjük, küldje el a gépet teljesen összeszerelve a kereskedőjének.

Lánc típusa	Fájl átmérője	Felső lemez szöge	Lefelé szög	Fejszög (55°)	Mélységmérő szabvány
					
		Satu forgási szöge	Satuszög	Oldalsó szög	
					
E1	3.2mm	30°	10°	55°	0.52mm
					
Nyomtáv mélység			Fájl		

Cikkszám		48 299	
Modell		GCS 325T PLUS	
Motor			
Henger lökettérfogat	cc	25,4	
Henger furat	mm	35	
Stroke	mm	28	
Alapjárat fordulatszám	rpm	3.100±500	
Maximális motorteljesítmény	kw/hp	1 / 1,34	
Maximális motorfordulatszám	rpm	11.000	
Gyújtási rendszer			
Elektróda rés	mm	0,6-0,7	
Üzemanyag és kenőrendszer			
Üzemanyagtartály kapacitás	litre	0,18	
Olajtartály kapacitása	litre	0,14	
Az olajszivattyú típusa		Dugattyús szivattyú	
Súly			
Láncfűrész rúd és lánc nélkül	kg	2,5	

Cikkszám	48 299	
Modell	GCS 325T PLUS	
Zajkibocsátás		
Hangteljesítmény szint, mérve	dB(A)	99,2
Hangteljesítményszint, garantált	Lwa dB	113
Hangszintek		
Egyenértékű hangnyomásszint a kezelő fülénél	dB(A)	99
Egyenértékű rezgésszintek		
Első fogantyú	m/s ²	9
Hátsó fogantyú	m/s ²	8,5
Lánc / rúd		
Bar hossza	cm	25cm
Hangmagasság	inch	1/4"
A meghajtó kapcsolatok vastagsága	mm/inch	1,1 / 0,043"
Max. lánc sebessége	m/s	21

LIETUVIŲ K.

IDENTIFIKAVIMAS

1. Pjūklų grandinė
2. Gido juosta
3. Priekinė rankos apsauga
4. Droselio gaidukas
5. Droselio gaiduko fiksavimo svirtis
6. Galinė rankena
7. Grunto lemputė
8. Oro filtro dangtelis
9. Užrakto sagtis
10. Starterio rankena
11. Uždegimo žvakė
12. Priekinė rankena
13. Alyvos bakas
14. Kuro bakas
15. Kreipiančioji juosta
16. Variklio jungiklis
17. Grandininis gaudytojas
18. Grandinės įtempimo varžtas
19. Sankabos gaubtas
20. Droselio rankenėlė

BENDROSIOS SAUGOS TAISYKLĖS

Prieš naudodami grandininį pjūklą atidžiai perskaitykite šį vadovą ir laikykitės visų saugos nurodymų, kad išvengtumėte sužalojimų ir žalos. Perduokite šias saugos instrukcijas bet kuriam kitam grandininį pjūklą naudojančiam asmeniui. Visada vadovaukitės sveiku protu, kad išvengtumėte visų situacijų, kurios viršija jūsų galimybes. Nedvejodami susisieki su mumis, jei turite klausimų apie grandininį pjūklą naudojimą. Mes jums patarsime ir padėsime, kaip saugiai naudoti grandininį pjūklą.

ASMENINĖ APSAUGOS PRIEMONĖS

Visada naudokite asmenines apsaugos priemones, pvz., apsauginius akinius, šalną su skydeliu, apsaugines pirštines, apsauginius drabužius nuo grandinės įpovimų, apsauginius batus ir klausos apsaugos priemones.

SAUGOS ĮRANGA ANT GRANDININIO PJŪKLO

Rankos apsauga ir grandinės stabdys

Grandininiam pjūkle yra grandinės stabdys (16 pav.), skirtas sustabdyti grandinės judėjimą atatrunkos atveju. Grandinės stabdys sukurtas siekiant išvengti nelaimingų atsitikimų ir sumažinti jų riziką. Įsitikinkite, kad juostos atatrunkos zona niekada neliečia jokių daiktų. Grandininį stabdį galima įjungti rankiniu būdu rankiniu būdu (stumti į priekį) arba automatiškai iš inercijos, kai grandininis pjūklas atsitraukia į objektą žemyn. Grandinės stabdys įjungiamas labai staigiai ir smarkiai judant rankos apsaugai dėl atatrunkos.

Rankos apsauga taip pat naudojama apsaugoti ranką, laikančią priekinę rankeną, nuo pavojingos atsitraukties į grandinę, jei ranka netenka rankenos.

Grandininis stabdys taip pat naudojamas kaip stovėjimo stabdys ir turi būti įjungtas prieš paleidžiant grandininį pjūklą. Paleidus grandininį pjūklą, grandinės stabdys turi būti nedelsiant išjungtas.

Grandininis gaudytojas

Grandinės gaudyklė yra naudojama grandinės sug-

riebimui, jei ji iššoka iš strypo, dėl netinkamo grandinės įtempimo. Grandinės gaudyklė apsaugo naudotoją nuo rimtų sužalojimų. Jei grandinės gaudyklė yra pažeista, ją reikia pakeisti nauju.

Vibracijos sistema

Grandininis pjūklas turi antivibracinius elementus, kurie sumažina vibraciją ir palengvina darbą. Antivibracinė sistema taip pat apsaugo vartotoją nuo pernelyg didelės vibracijos, dėl kurios gali būti pažeista kraujotaka arba nervai. Kraujotakos pažeidimo simptomai yra pirštų jutimo praradimas, skausmas, jėgos praradimas ir odos spalvos pokyčiai. Variklio ir pjovimo įrangos sukuriama vibracija mažinama ir neleidžiama persikelti ant grandininio pjūklų rankenų. Kuo kietesnė pjaunama mediena, tuo didesnis vibracijos lygis ir kuo paštrinta grandinė, tuo žemesnis vibracijos lygis.

PJOVIMO ĮRANGA

Grandinės dantys visada turi būti gerai pagalšti. Pažeista arba netinkamai pagalšta grandinė gali padidinti nelaimingų atsitikimų riziką. Tvarkykite ir prižiūrėkite teisingą gylio matuoklį, nes per didelis tarpas padidina atatrunkos riziką. Valdykite ir palaikykite tinkamą grandinės įtempimą. Dėl laisvos grandinės grandinė gali iššokti iš strypo ir nusidėvėti strypas, grandinė ir pavaros žvaigždutė. Tinkamai tvarkykite ir sutepinkite pjovimo įrangą. Dėl prasto grandinės sutepimo gali nutrūkti grandinė, nusidėvėti strypas ir pavaros žvaigždutė.

Grandinės galandimas

Jei nesate susipažinę su grandininio pjūklų grandinės galandimu, siūlome ją pagalšti profesionaliai artimiausiam aptarnavimo centre.

Galėdami grandinę visada naudokite apsauginius akinius ir pirštines. Naudokite apvalią dildę, kad galąstumėte pjaustytuvus judėdami į išorę. Pagalandę pjaustytuvus, įsitikinkite, kad jų plotis ir ilgis yra vienodi. Gylio ribotuvas turi būti nuleistas po pjaustytuvų galandimo, naudojant plokščią dildę.

Grandinės įtempimas

Grandinės įtempimas yra labai svarbus ir turi būti patikrintas prieš naudojant grandininį pjūklą. Kuo geriau grandinė įtempta, tuo geriausias pjūvio padarysite! (Žr. tvirtinimo juostą ir grandinę)

Grandinės tepimas

Grandininis pjūklas turi automatinę grandinės tepimo sistemą. Visada naudokite grandinės alyvą, skirtą grandinės ir strypų tepimui, kuri gerai suskimba su grandine. Niekada negalima naudoti naudotos variklio alyvos, nes tai gali būti pavojinga naudotojui ir gali sugadinti alyvos siurbli.

KREIPIANČIOSIOS JUOSTOS IR PJŪKLO GRANDINĖS MONTAVIMAS

Standartinėje pjūklų bloko pakuotėje yra toliau nurodytos dalys: (1 pav.)

(1.1 pav.) Maitinimo blokas (1.2 pav.) Pjūklų grandinė (1.3 pav.) Kreipiančioji juosta (1.4 pav.) Kreipiančioji juosta

(1.5 pav.) Kištukinis raktas

Atidarykite dėžę ir sumontuokite kreipiamąją juostą bei pjūklų grandinę ant maitinimo bloko taip, kaip nurodyta toliau.

ĮSPĖJIMAS

Pjūklas grandinė turi labai aštrius kraštus. Dėl saugumo naudokite apsaugines pirštines.

1. Patraukite apsaugą link priekinės rankenos, kad patikrintumėte, ar neįjungtas grandinės stabdys.
2. **Atskirte veržlę (2.1 pav.) ir nuimkite sankabos dangtelį (2.2 pav.). Dviem varžtais (2.4 pav.) pritvirtinkite spygliuotą buferį, jei dar nesurinktas (2.3 pav.) grandininio pjūklo priekyje (2.4 pav.). 2 pav.).**

SVARBU Spygliuotas buferis priklauso grandininiam pjūklui. Prieš naudojant pirmą kartą, jis turi būti prisukamas ant grandininio pjūklo. Nuimkite tarpiklį (3.1 pav.) nuo grandininio pjūklo (3 pav.).

3. Pritvirtinkite kreipiamąją juostą (4.2 pav.) prie maitinimo bloko, tada stumkite kreipiamąją juostą link sankabos (4 pav.).
4. Pritvirtinkite grandinę prie žvaigždutės, pritvirtindami pjūklo grandinę aplink kreipiamąją juostą (5 pav.).

Pastaba Atkreipkite dėmesį į teisingą pjūklo grandinės kryptį.

5. Sureguliuokite grandinės įtempiklio vinio padėtį ir įkiškite įtempiklio vinį į apatinę kreipiamosios juostos angą (6.3 pav.). Sumontuokite sankabos dangtelį prie maitinimo bloko ir tvirtai priveržkite tvirtinimo veržlę. (7 pav.). Laikydami aukštyn strypo viršūnę, sureguliuokite grandinės įtempimą sukdami įtempiklio varžtą, kol surišimo dirželiai tiesiog palies apatinę strypo bėgelio pusę (8 pav.).
6. Tvirtai priveržkite veržlę pakeldami strypo antgalį (12–15 Nm). Tada patikrinkite, ar grandinė sklandžiai sukasi ir ar tinkamai įtempta, judindami ją ranka. Jei reikia, vėl sureguliuokite, kai grandinės dangtelis yra laisvas.
7. Pasukite įtempiklio varžtą (6.4 pav.) pagal laikrodžio rodyklę, kad priveržtumėte grandinę, pasukite įtempiklio varžtą (6.4 pav.) prieš laikrodžio rodyklę, kad atlaisvintumėte grandinę. Patikrinkite pjūklo grandinės įtempimą. Ranka pakelkite grandinės grandį, kuri yra pjovimo ilgio viduryje, maždaug 10 N jėga. Jei grandinės jungtis visa išeina iš kreipiančiosios juostos bėgio, turite iš naujo priveržti grandinę.

SVARBU Labai svarbu išlaikyti tinkamą grandinės įtempimą. Greitas kreipiančiosios juostos susidėvėjimas arba lengvai nusileidžianti grandinė gali atsirasti dėl netinkamo įtempimo. Ypač kai naudojate naują grandinę, ja rūpinkitės, nes pirmą kartą naudojant ji turėtų išsiplėsti.

DEGALŲ TIEKIMAS IR TĖPIMAS

Grandininis pjūklas turi 2 taktų variklį; todėl visada turi būti naudojamas 95 RON benzino ir 2 taktų alyvos mišinys. Labai svarbu atkreipti dėmesį į naudojamą kuro mišinį, nes reikia gauti tikslų alyvos ir kuro mišinį. Maži alyvos ir degalų mišinio kiekiai su nedideliais netikslumais gali turėti įtakos mišinio santykiui, dėl ko variklis gali perkaisti ir rimtai sugadinti variklį. Mišinį su didesniu oktaniniu skaičiumi degalais rekomenduojama naudoti tik nuolat dirbant dideliais sunkiais.

Dviejų taktų alyva

Turi būti naudojama specialiai sukurta 2 taktų alyva, skirta oru aušinamiems 2 taktams varikliams. Nenaudokite 2 taktų alyvos, skirtos vandeniu aušinamiems varikliams. Niekada nenaudokite prastos kokybės alyvos ir 4 taktų variklio alyvos.

Maišymo santykis

Siekiant geriausių rezultatų ir našumo, maišymo santykis yra 2,5 %, esant bent JASO FC arba ISO EGC alyvos klasei, skirta oru aušinamiems 2 taktams varikliams.

Benzinas, litrai	2 taktų alyva, litras 2,5% (1:40)
4	0,10lt (100ml)
8	0,20lt (200ml)

Prieš maišydami degalus, visada naudokite švarų indą kurui. Prieš pildami mašinos kuro baką, gerai išmaišykite ir suplakite kuro mišinį. Nenaudokite kuro mišinio, laikomo ilgiau nei mėnesį. Prieš sandėliuojant mašinos degalų baką reikia ištuštinti.

Grandinės alyva

Naudokite specialią grandinės alyvą, pasižyminčią geromis sukibimo savybėmis. Niekada negalima naudoti naudotos variklio alyvos, nes tai gali būti pavojinga naudotojui ir gali sugadinti alyvos siurbį. Grandininis pjūklas sukurtas taip, kad alyvos bakas turi būti pildomas kiekvieną kartą, kai degalų bakas ištuštėja.

Pastaba Prieš pildami degalus, visada išjunkite variklį ir leiskite jam atvėsti. Niekada nerūkykite degalų papildymo proceso metu.

Pastaba Niekada nenaudokite grandininio pjūklo su 100 % benzinu, neįpylę 2 taktų alyvos.

VARIKLIO UŽVEDIMAS

1. Atskirite ir nuimkite degalų ir alyvos dangtelį.
2. Priplūdykite kuro baką (9.1 pav.) ir alyvos baką iki 80% visos talpos.
3. Tvirtai pritvirtinkite kuro dangtelį ir alyvos baką (9.2 pav.) ir nuvalykite aplink įrenginį išsiliejusius degalus.
4. Perjunkite jungiklį (10.1 pav.) į „I“ padėtį.
5. Pasukite droselio rankenėlę prieš laikrodžio rodyklę (10.2 pav.). Droselis užsidarys ir droselio svirtis bus nustatyta į pradinę padėtį.
6. Nuolat stumkite grunto lempuotę (11.1 pav.), kol degalai pateks į lempuotę.

Pastaba

Iš naujo užvedant iš karto po variklio išjungimo. Nustatykite droselį į atvirą padėtį. Pasukus droselio rankenėlę prieš laikrodžio rodyklę, ji grįš į darbo padėtį, jei paspausite droselio gaiduką (12.1 pav.) arba pasuksite droselio rankenėlę pagal laikrodžio rodyklę pirštu. Jei norite grąžinti droselio rankenėlę į darbo padėtį, vietoj to paspauskite droselio gaiduką (12.1 pav.).

7. Paspauskite priekinės rankenos apsaugą žemyn link priekio, kad įjungtumėte grandinės stabdį.
8. Tvirtai laikydami pjūklo bloką ant žemės, stipriai traukite starterio lyną (13 pav.).
9. Kai užsidega, rankiniu būdu pasukite droselio rankenėlę pagal laikrodžio rodyklę. Tada vėl

traukite starterio lyną, kol variklis užsives. Nedelsdami paspauskite droselio gaiduką, kad droselis grįžtų į tuščiosios eigos padėtį. Nustačius droselį rankiniu būdu, droselį galima laikinai nustatyti į iš dalies atidarytą padėtį, kad būtų lengviau užvesti.

- 10.** Norėdami atleisti stabdį, patraukite priekinės rankenos apsaugą link priekinės rankenos. Tada leiskite varikliui sušilti, šiek tiek paspaudę gaiduką.

ĮSPĖJIMAS Prieš užvesdami variklį įsitikinkite, kad pjūklro grandinė prie nieko nesiliečia. Prieš kiekvieną paleidimą įsitikinkite, kad grandinės stabdys visada yra įjungtas.

ALYVOS TIEKIMO TIKRINIMAS

Užvedę variklį paleiskite grandinę vidutiniu greičiu ir pažiūrėkite, ar neišsibarstę grandinės alyva, kaip parodyta 14 pav.

SVARBU Alyvos bakas turi būti beveik tuščias, kol bus baigtas kuras. Būtinai užpildykite alyvos baką kiekvieną kartą, kai pilsite degalus į pjūklą.

SANKABOS VEIKIMO PATIKRINIMAS

Prieš kiekvieną naudojimą įsitikinkite, kad grandinė nejuda, kai grandininis pjūklas veikia tuščiąja eiga.

DARBO TECHNIKOS

Norėdami saugiai atlikti pjovimo darbus, be nelaimingų atsitikimų ir sužalojimų, laikykitės toliau nurodytų punktų.

- ▶ Jei esate pavargęs, nenaudokite grandininio pjūklo.
- ▶ Nenaudokite grandininio pjūklo esant blogam orui.
- ▶ Kai variklis veikia, grandininį pjūklą visada laikykite abiem rankomis (25 pav.).
- ▶ Įsitikinkite, kad aplink jus nėra kliūčių, kurios gali jus sutrukdyti pjaunant arba jas gali sužaloti krintantys medžiai ar šakos.
- ▶ Įsitikinkite, kad stovite tvirtai ir nėra nieko, dėl ko galite prarasti pusiausvyrą.
- ▶ Žinokite, kad atatrankos nelaimingi atsitikimai dažniausiai įvyksta galūnių metu (27 pav.).
- ▶ Niekada nekirkite aukštyje virš pečių ir niekada nekirkite stropo nosimi (25 pav.).
- ▶ Niekada nedirbkite stovėdami ant kopėčių, medyje arba ten, kur neturite tvirto pagrindo atsistoti (26 pav.).
- ▶ Pjaudami naudokite aukštus grandininio pjūklo variklio sukčius.
- ▶ Po kiekvieno pjovimo naudokite tuščiosios eigos greitį.
- ▶ Pjovimas ant stūmimo gali būti pavojingas, nes gali įvykti atatranka.
- ▶ Įsitikinkite, kad grandinė gerai įtempta, kad neįstrigtų pjovimo metu. Jei pjovimo metu grandinė užstringa, nedelsdami išjunkite grandininio pjūklo variklį. Naudodami svirtį pakelkite nupjautą medieną ir atlaisvinkite grandininį pjūklą.
- ▶ Įsitikinkite, kad pjaunant mediena nesuskils (28 pav.).
- ▶ Įsitikinkite, kad pjovimo metu grandinė nelies žemės (29 pav.).

SAUGOS TAISYKLĖS, KAIP IŠVENGTI ATATRANKOS

Atatranka yra labai staigus grandininio pjūklo judesys. Taip atsitinka, kai vartotojas pjauna objektą viršutiniu stropo nosies kvadrantu ir grandininio pjūklo stropas nušoka nuo objekto link vartotojo. Atatranka gali tapti labai pavojinga naudotojui, todėl būkite ypač atsargūs galūnuodami ir venkite liesti rasto stropo nosimi. Be to, būkite labai atsargūs su įtemptomis galūnėmis, nes jos gali judėti atgal ir link jūsų kaip spyruoklė, o tai gali rimtai susižaloti.

PRIEŽIŪRA

ĮSPĖJIMAS Prieš valydami, tikrindami ar remontuodami įrenginį įsitikinkite, kad variklis sustojo ir yra vėsus. Atjunkite uždegimo žvakę, kad išvengtumėte atsitiktinio užvedimo. Vykdykite instrukcijas, kad atliktumėte reguliarią techninę priežiūrą, prieš naudojimą ir kasdienes priežiūros procedūras. Netinkama priežiūra gali rimtai sugadinti mašiną.

PRIEŽIŪRA PO KIEKVIENO NAUDOJIMO

1. ORO FILTRAS

Dulkes ant valiklio filtro galima pašalinti plaunant buitinio ploviklio ir šilto vandens tirpalu. Norėdami išvalyti tinklėlio nešvarumus, nuimkite valiklio dangtelį ir sutepkite benzinu. Naudodami suslėgtą orą, pūskite iš vidaus. (15.1 pav.) oro filtro sagtis (15.2 pav.) oro filtro dangtelis.

2. ALYVOS TEPIMO PURKŠTUVAS

Nuimkite kreipiamąją juostą ir patikrinkite, ar alyvos išleidimo anga neužsikimšusi. (19.1 pav.) Alyvos išleidimo anga (19.2 pav.) Alyvos įleidimo anga

3. KREIPIAMOJI JUOSTA

Nuėmus kreipiamąją juostą, pašalinkite pjuvenas iš stropo griovelio (21 pav.) ir alyvos įleidimo angos (18 pav.).

4. KITI

Patikrinkite, ar nėra degalų nuotėkio, laisvų tvirtinimo detalių ir pagrindinių dalių, ypač rankenų jungčių ir kreipiamosios juostos tvirtinimo, pažeidimų. Jei aptinkate kokių nors defektų, prieš vėl pradėdami dirbti, būtinai juos pataisykite.

PERIODINIO APTARNAVIMO PUNKTAI

1. CILINDRO PELEKAI

Dulkės užsikimšusios tarp cilindro pelekų sukels variklio perkaitimą. Reguliariai tikrinkite pelekus nuėmę sankabos dangtelį, tada naudokite slėginį orą, kad išvalytumėte cilindro pelekus.

2. KURO FILTRAS

a) Vieliniu kabliu išimkite filtrą iš užpildymo angos.
b) Išardykite filtrą ir nuplaukite benzinu arba, jei reikia, pakeiskite nauju.

SVARBU

- ▶ Išėmę filtrą, žiupsneliu prilaukite įsiurbimo vamzdžio galą.
- ▶ Montuodami filtrą stenkitės, kad į siurbimo vamzdį nepatektų filtro pluoštų ar dulkių.

3. UŽDEGIMO ŽVAKĖ

Nuvalykite elektrodus vieliniu šepečiu ir, jei reikia, iš naujo nustatykite tarpą iki 0,65 mm (23 pav.). Uždegimo žvakės tipas: NGK CMR7H

4. ŽVAIGŽDĖ

Patikrinkite, ar nėra įtrūkimų ir pernelyg didelio susidėvėjimo, kuris netrukdo grandinės pavarai. Jei susidėvėjimas yra didelis, pakeiskite jį nauju. Niekada nemontuokite naujos grandinės ant susidėvėjusios žvaigždutės arba susidėvėjusios grandinės ant naujos

žvaigždutės (24 pav.).

5. PRIEKINĖS IR GALINĖS AMORTIZATORIAUS SPYRUOKLĖS

Pakeiskite, jei pažeista priekinė arba galinė amortizatoriaus spyruoklė.

SVARBU

Naudokite tik tas atsargines dalis, kurios nurodytos šiame vadove. Kitos atsarginės dalies naudojimas gali rimtai susižaloti.

PJŪKLO GRANDINĖ JSPĖJIMAS

Norint sklandžiai ir saugiai veikti, labai svarbu, kad pjūvikiškai visada būtų aštrūs.

Jūsų pjaustytuvus reikia pagalšti, kai:

- ▶ Pjuvenos tampa panašios į miltelius.
- ▶ Norint įpjauti, reikia papildomos jėgos.
- ▶ Nupjautas kelias neina tiesiai.
- ▶ Vibracija didėja.
- ▶ Padidėja degalų sąnaudos.

PJŪVIMO NUSTATYMO STANDARTAI:

Būtinai mūvėkite apsaugines pirštines.

Prieš paduodami:

- ▶ Įsitikinkite, kad pjūklo grandinė tvirtai laikosi. (20 pav.).
 - ▶ Įsitikinkite, kad variklis išjungtas.
 - ▶ Grandinei naudokite tinkamo dydžio apvalią dildę.
- Failo dydis: 3,2 mm visiems modeliams.
Padėkite failą ant pjaustytuvo ir stumkite tiesiai į priekį. Laikykite failo padėtį, kaip parodyta paveikslėlyje.

Nustatę kiekvieną pjaustytuvą, patikrinkite gylio matuoklį ir paduokite jį iki tinkamo lygio, kaip parodyta paveikslėlyje.

SVARBU

Būtinai užapvalinkite priekinį kraštą, kad sumažintumėte atatranks ar surišimo dirželio nutrūkimo tikimybę.

Įsitikinkite, kad kiekvieno pjaustytuvo ilgis ir kraštų kampai yra tokie patys, kaip parodyta paveikslėlyje.

GIDO JUOSTA

- ▶ Retkarčiais apverskite juostą, kad išvengtumėte dalinio nusidėvėjimo.
- ▶ Juostos bėgis visada turi būti kvadratinis. Patikrinkite, ar nesusidėvėjo strypo bėgis (22 pav.). Uždėkite liniuotę ant strypo ir pjaustytuvo išorės. Jei tarp jų pastebimas tarpas, bėgis yra normalus.

Priešingu atveju strypo turėklai susidėvėję. Tokią juostą reikia pataisyti arba pakeisti.

(1) Liniuotė (2) Tarpas (3) Nėra tarpo

SANDĖLIAVIMAS

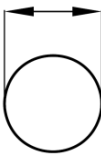
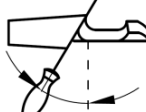
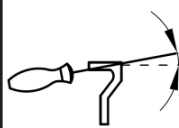
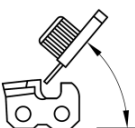
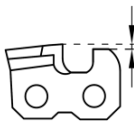
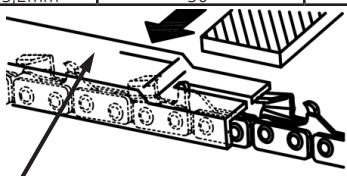
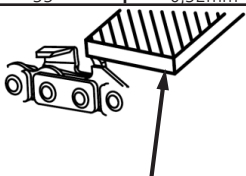
1. Ištuštinkite degalų baką ir paleiskite variklį iš kuro.
2. Ištuštinkite alyvos baką.
3. Išvalykite visą įrenginį.
4. Laikykite įrenginį sausoje, vaikams nepasiekiamoje vietoje.

ATLIEKŲ ŠALINIMAS IR APLINKOS APSAUGA

Niekada nepilkite grandinės tepalo ar dvitakčio kuro mišinio likučių į kanalizaciją ar gruntą, o išmeskite tinkamu, aplinkai nekenksmingu būdu, pvz., į specialų surinkimo punktą ar sąvartyną. Jei jūsų įrenginys ateityje kur nors taptų nenaudingas arba jums jo nebereikės, neišmeskite įrenginio kartu su buitinėmis atliekomis, o išmeskite aplinkai nekenksmingu būdu. Kruopščiai ištuštinkite alyvos/tepalo ir degalų batus, o likučius išmeskite į specialų surinkimo punktą arba sąvartyną. Taip pat patį prietaisą išmeskite į atitinkamą surinkimo/perdirbimo punktą. Taip plastikinės ir metalinės dalis galima atskirti ir perdirbti. Informaciją apie medžiagų ir prietaisų išmetimą galite gauti vietinėje administracijoje.

GARANTIJA

Šiam gaminiui suteikiama garantija pagal teisinius / konkrečios šalies reglamentus, kurie galioja nuo pirmojo naudotojo įsigijimo datos. Garantija netaikoma žalai, atsiradusioms dėl normalaus nusidėvėjimo, perkrovos ar netinkamo naudojimo. Jei turite pretenzijų, visiškai surinktą mašiną atsiųskite savo pardavėjui.

Grandinės tipas	Failo skersmuo	Viršutinės plokštės kampas	Kampas žemyn	Galvos kampas (55°)	Gylio matuoklio standartas
					
		Spaudos sukimosi kampas	Spaudimo kampas	Šoninis kampas	
E1	3,2mm	30°	10°	55°	0,52mm
					
Gylio matuoklis				Failas	

Straipsnio numeris		48 299
Modelis		GCS 325T PLUS
Variklis		
Cilindro poslinkis	cc	25,4
Cilindro anga	mm	35
Insultas	mm	28
Tuščiosios eigos greitis	rpm	3.100±500
Maksimali variklio galia	kw/hp	1 / 1,34
Maksimalus variklio greitis	rpm	11.000
Degimo sistema		
Elektrodo tarpas	mm	0,6-0,7
Kuro ir tepimo sistema		
Kuro bako talpa	litre	0,18
Alyvos bako talpa	litre	0,14
Alyvos siurblio tipas		Stūmoklinis siurblys
Svoris		
Grandininis pjūklas be strypo ar grandinės	kg	2,5

Straipsnio numeris		48 299
Modelis	GCS 325T PLUS	
Triukšmo emisija		
Garso galios lygis, išmatuotas	dB(A)	99,2
Garso galios lygis, garantuotas	Lwa dB	113
Garso lygiai		
Ekvivalentinis garso slėgio lygis operatoriaus ausyje	dB(A)	99
Lygiavertis vibracijos lygis		
Priekinė rankena	m/s ²	9
Galinė rankena	m/s ²	8,5
Grandinė / juosta		
Juostos ilgis	cm	25cm
Pikis	inch	1/4"
Pavaros jungčių storis	mm/inch	1,1 / 0,043"
Maks. grandinės greitis	m/s	21

EN	EU DECLARATION OF CONFORMITY		We declare under our sole responsibility that the listed products comply with all applicable provisions of the below directives and are also in conformity with the following standards. Production year and serial number are on the product. The relative technical file is at the below address.	
	TOP HANDLE PETROL CHAINSAW			
	MODEL	Article number		
FR	DÉCLARATION CE DE CONFORMITÉ		Nous déclarons sous notre propre responsabilité que les produits décrits sont conformes à toutes les dispositions applicables des directives ci-dessous et sont également conformes aux normes suivantes. L'année de production et le numéro de série figurent sur le produit. Le dossier technique correspondant est à l'adresse ci-dessous.	
	TRONÇONNEUSE À ESSENCE			
	MODÈLE	Numéro de l'article		
IT	DICHIARAZIONE CE DI CONFORMITÀ		Dichiariamo sotto la nostra piena responsabilità che i prodotti indicati sono conformi a tutte le disposizioni applicabili delle seguenti direttive e sono inoltre conformi alle seguenti norme. Anno di produzione e numero di serie sono sul prodotto. La relativa scheda tecnica è al seguente indirizzo.	
	MOTOSEGA A BENZINA			
	MODELLO	Codice prodotto		
EL	ΔΗΛΩΣΗ ΣΥΜΜΟΡΦΩΣΗΣ EK		Δηλώνουμε με αποκλειστική μας ευθύνη, ότι τα αναφερόμενα προϊόντα συμμορφώνονται με όλες τις σχετικές διατάξεις των κάτωθι οδηγιών και είναι επίσης σύμφωνα με τα ακόλουθα πρότυπα. Το έτος παραγωγής και ο σειριακός αριθμός αναγράφονται στο προϊόν. Ο τεχνικός φάκελος είναι στην παρακάτω διεύθυνση.	
	ΑΛΥΣΟΠΡΙΟΝΟ ΚΛΑΔΕΥΤΙΚΟ BENZINHS			
	ΜΟΝΤΕΛΟ	Κωδικός προϊόντος		
SR	CE IZJAVA O USAGLAŠENOSTI		Na sopstvenu odgovornost izjavljujemo, da navedeni proizvodi poštjuju sve važeće odredbe dole navedenih direktiva i da su takođe u skladu sa sledećim standardima. Proizvodna godina i serijski broj su na proizvodu. Relativna tehnološka datoteka je na donje adrese.	
	BENZINSKA MOTORNA TESTERA			
	MODEL	Broj predmeta		
HR	EU IZJAVA O SUKLADNOSTI		Pod punom odgovornošću izjavljujemo da navedeni proizvodi u skladu sa svim primjenjivim odredbama dolje navedenih direktiva, a također su u skladu sa sljedećim standardima. Godina proizvodnje i serijski broj su na proizvodu. Relativna tehnička datoteka nalazi se na donjoj adresi.	
	BENZINSKA MOTORNA PILA			
	MODEL	Broj artikla		
RO	DECLARAȚIE DE CONFORMITATE UE		Declarăm pe proprie răspundere că produsele menționate respectă toate prevederile aplicabile din directivele de mai jos și sunt, de asemenea, conforme cu următoarele standarde. Anul de producție și numărul de serie sunt pe produs. Fișierul tehnic relativ se află la adresa de mai jos.	
	MOTOFIERASTRAU PE BENZINA			
	MODEL	Număr articol		
HU	EU MEGFELELŐSÉGI NYILATKOZAT		Kijelentjük kizárólagos felelősségünkre, hogy a felsorolt termék megfelelnek az alábbi irányelvek összes vonatkozó rendelkezésének, és megfelelnek a következő szabványoknak is. A gyártási év és a sorozatszám a terméken található. A relatív műszaki fájl az alábbi címen található.	
	FELSŐ FOGANTYÚ BENZINES LÁNCFŰRÉS Z			
	MODELL	Cikk szám		
LT	ES ATITIKTIES DEKLARACIJA		Mes, prisiimdami visą atsakomybę, pareiškiame, kad išvardyti produktai atitinka visas taikomas toliau nurodytų direktyvų nuostatas ir taip pat atitinka šiuos standartus. Gamybos metai ir serijos numeris yra ant gaminio. Santykinis technologinis failas yra žemiau nurodytu adresu.	
	VIRŠUTINĖS RANKENOS BENZININIS PJŪKLAS			
	MODELIS	Straipsnis Numeris		
	GCS 325T PLUS	48 299	2006/42/EC	EN ISO 12100:2010
			2014/30/EU	EN ISO 11681-2:2011
				EN ISO 14982:2009

Aimilios G. Theodorou
Electrical Engineer,
Safety Officer



17/10/2022
FF GROUP TOOL INDUSTRIES,
19300 Aspropyrgos-Greece.

**FF GROUP TOOL
INDUSTRIES**
9,5km Attiki Odos,
Aspropyrgos
19300, Athens, Greece
Tel. +30 210 55 98 400





FF GROUP TOOL INDUSTRIES



9,5 Km Attiki Odos, Aspropyrgos

19300, Athens, Greece



+30 210 55 98 400



info@ffgroup-toolindustries.com



www.ffgroup-tools.com