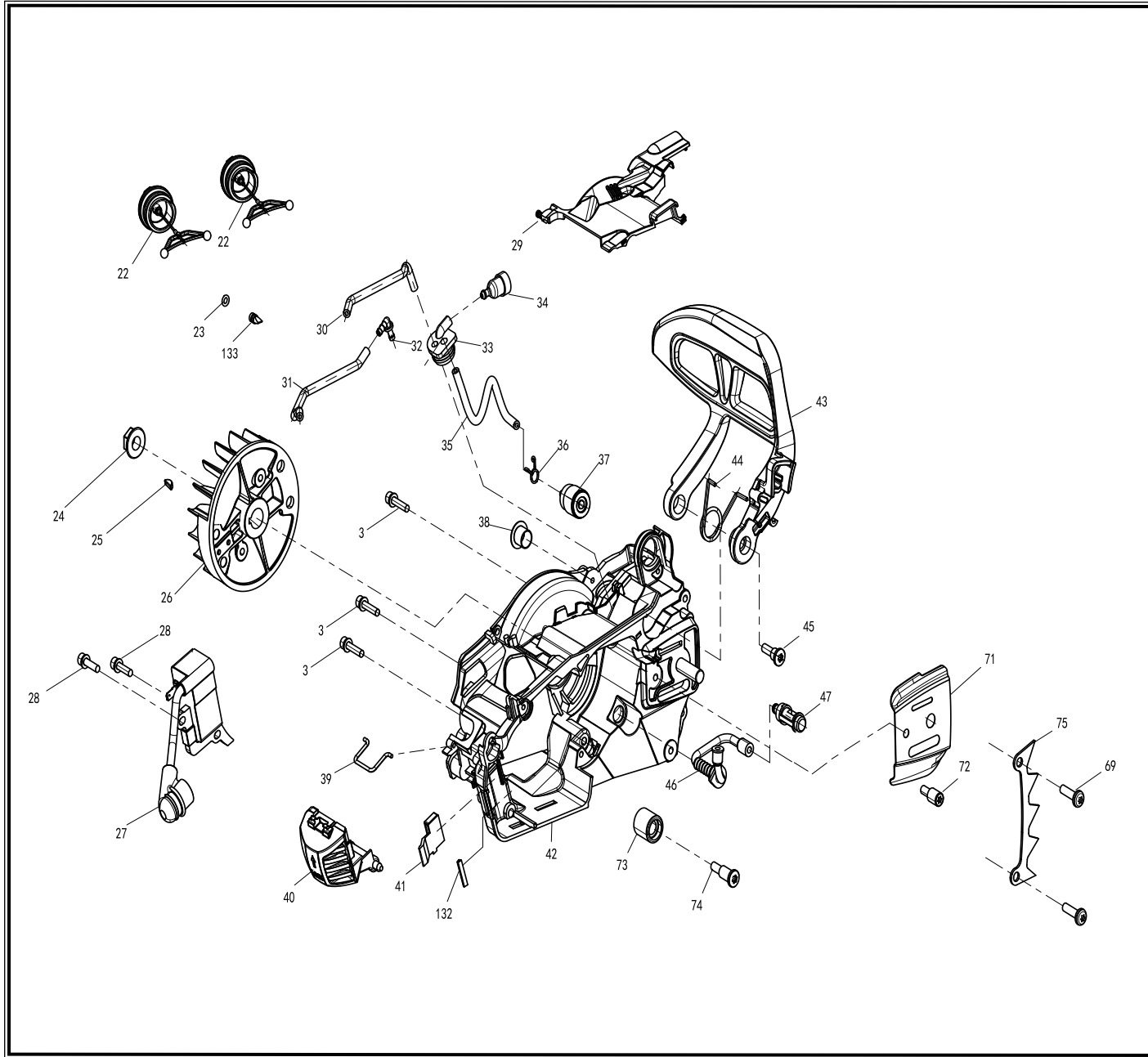
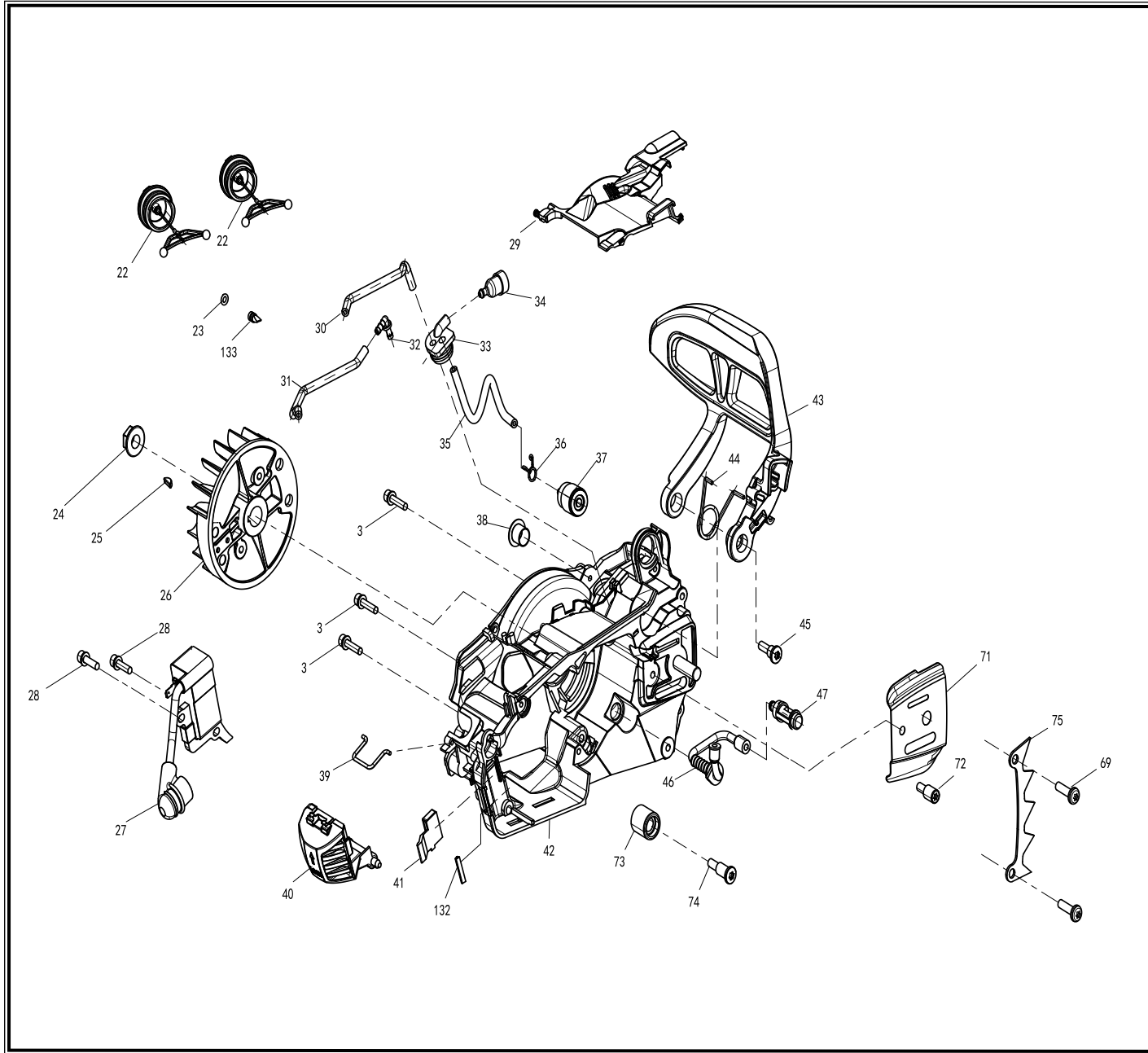


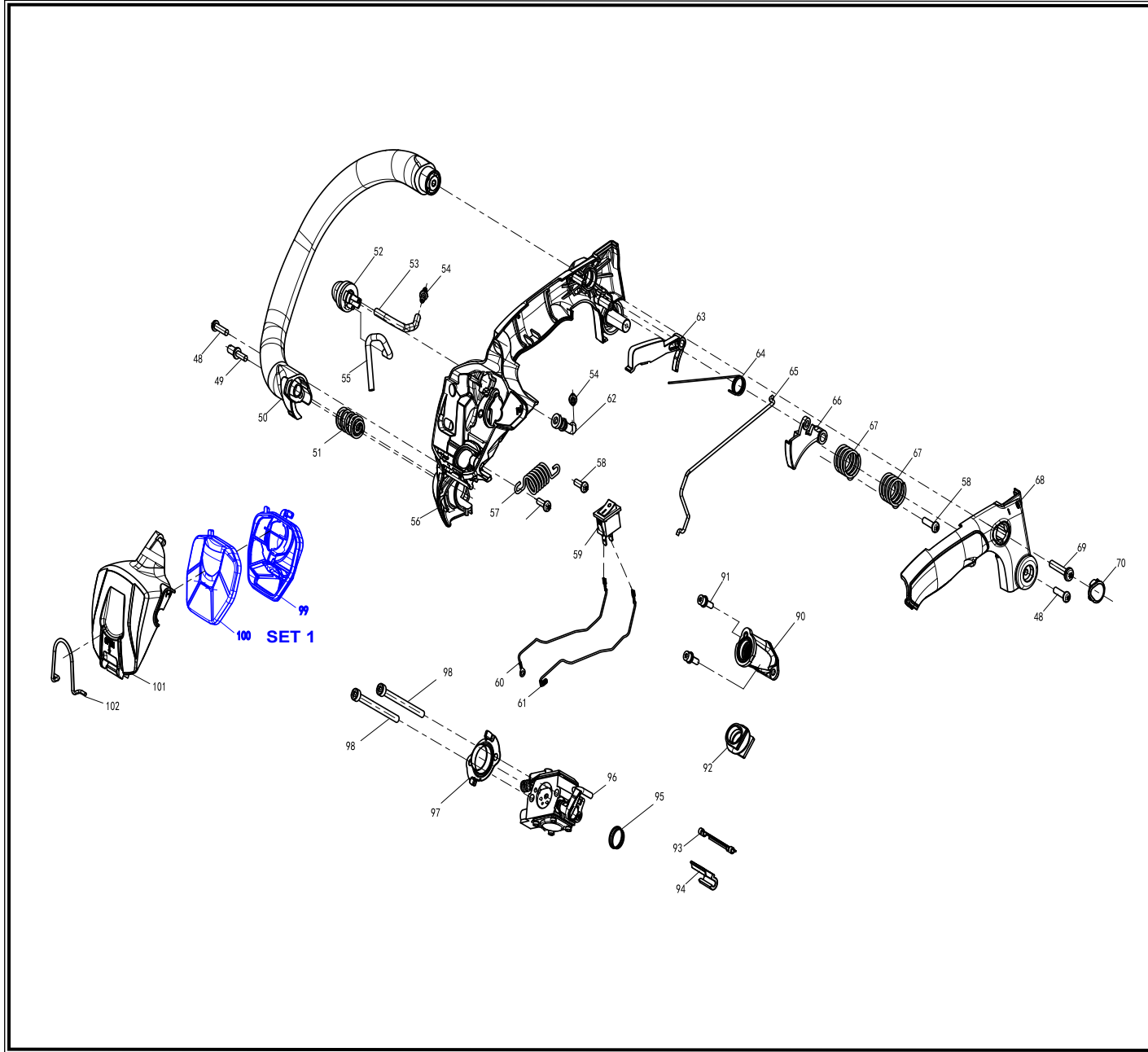
POS.	CODE	DESCRIPTION	QTY
1	A09281	LEFT OIL SEAL 12X20X5	2
2	A09282	LEFT CRANKCASE	1
3	A09283	SCREW M4X18	7
4	A05523	BEARING 6001	2
5	A09284	CRANKSHAFT	1
6	A09285	CRANKCASE GASKET	1
7	A09286	PIN 4X10	2
8	A09287	RIGHT CRANKCASE	1
9	A09288	CYLINDER SEALING GASKET	1
10	A09289	PISTON	1
11	A05514	NEEDLE BEARING GASKET	2
12	A05516	PISTON PIN	1
13	A05515	NEEDLE BEARING	1
14	A05513	CIRCLIP	2
15	A09290	PISTON RING	2
16	A09291	CYLINDER	1
17	A05532	SPARK PLUG TORCH CMR6A	1
18	A09292	PAD	1
19	A09293	MUFFLER	1
20	A09294	MUFFLER GASKET	1
21	A09295	SCREW M5X20	3



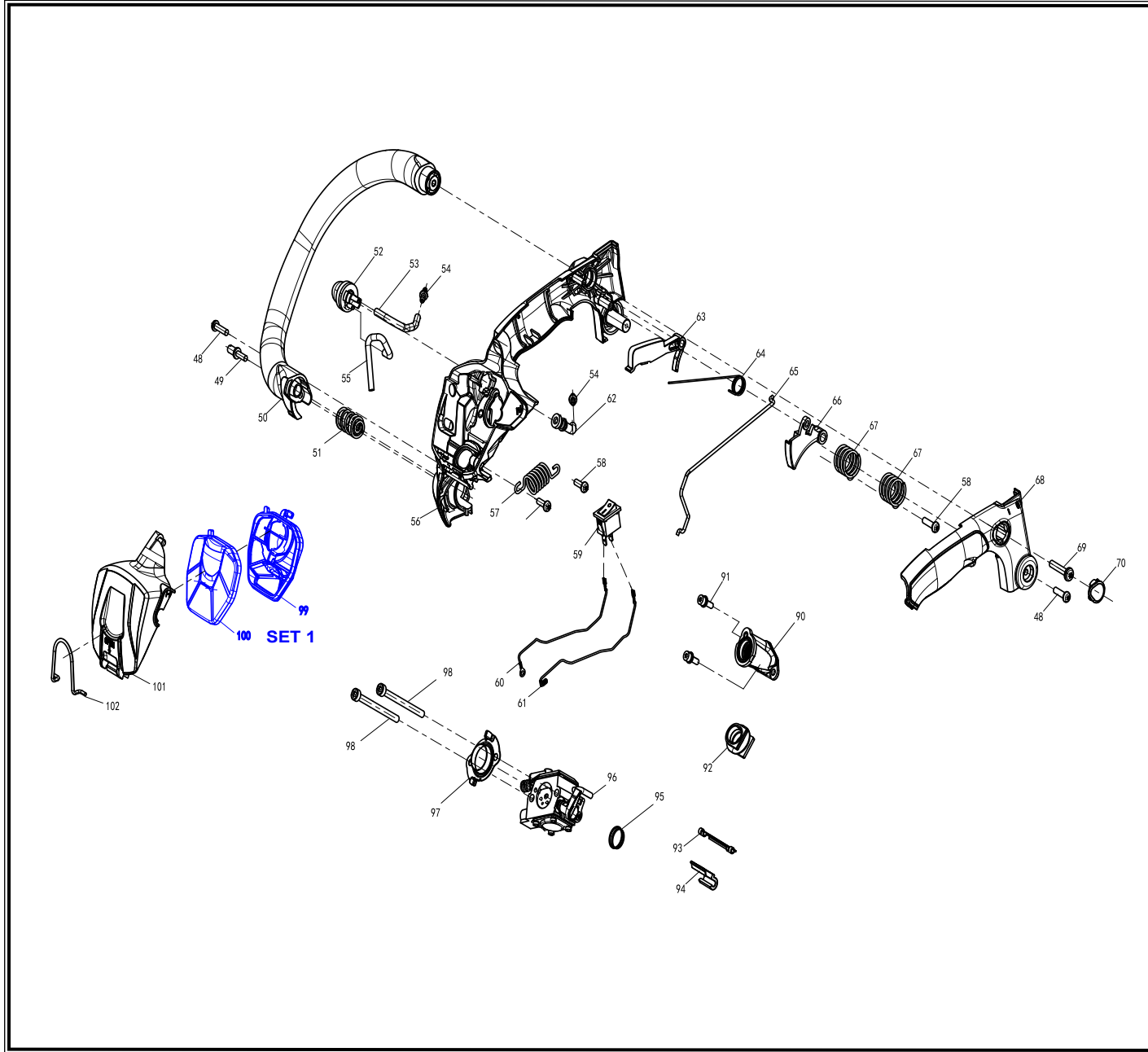
POS.	CODE	DESCRIPTION	QTY
3	A09283	SCREW M4X18	3
22	A05541	OIL TANK CAP	2
23	A09398	O-RING	1
24	A05518	NUT	1
25	A05519	KEY3×5×13	1
26	A09296	ROTATOR	1
27	A09297	IGNITION	1
28	A09298	SCREW M4X16	2
29	A09299	WIRE COVER	1
30	A09300	INSULATED PIPE B	1
31	A09301	FUEL PIPE	1
32	A09302	TUBING CONNECTOR	1
33	A09303	FITTINGS	1
34	A05554	BALANCER	1
35	A05560	PIPE A	1
36	A05788	CLAMP	1
37	A05955	FUEL FILTER	1
38	A09304	FRONT BAFFLE BUSHING	1
39	A09305	COVER LOCK	1
40	A09306	SPARK COVER	1
41	A09307	CONVERSION BOARD	1
42	A09308	BASE ASSEMBLY	1
43	A09309	FRONT HANDLE GUARD	1
44	A09310	SPRING FOR FRONT HANDLE GUARD	1
45	A09311	FRONT BAFFLE SCREW	1
46	A09312	OIL PIPE	1
47	A05549	OIL FILTER	1
69	A09330	TAPPING SCREW ST4.8X14	2



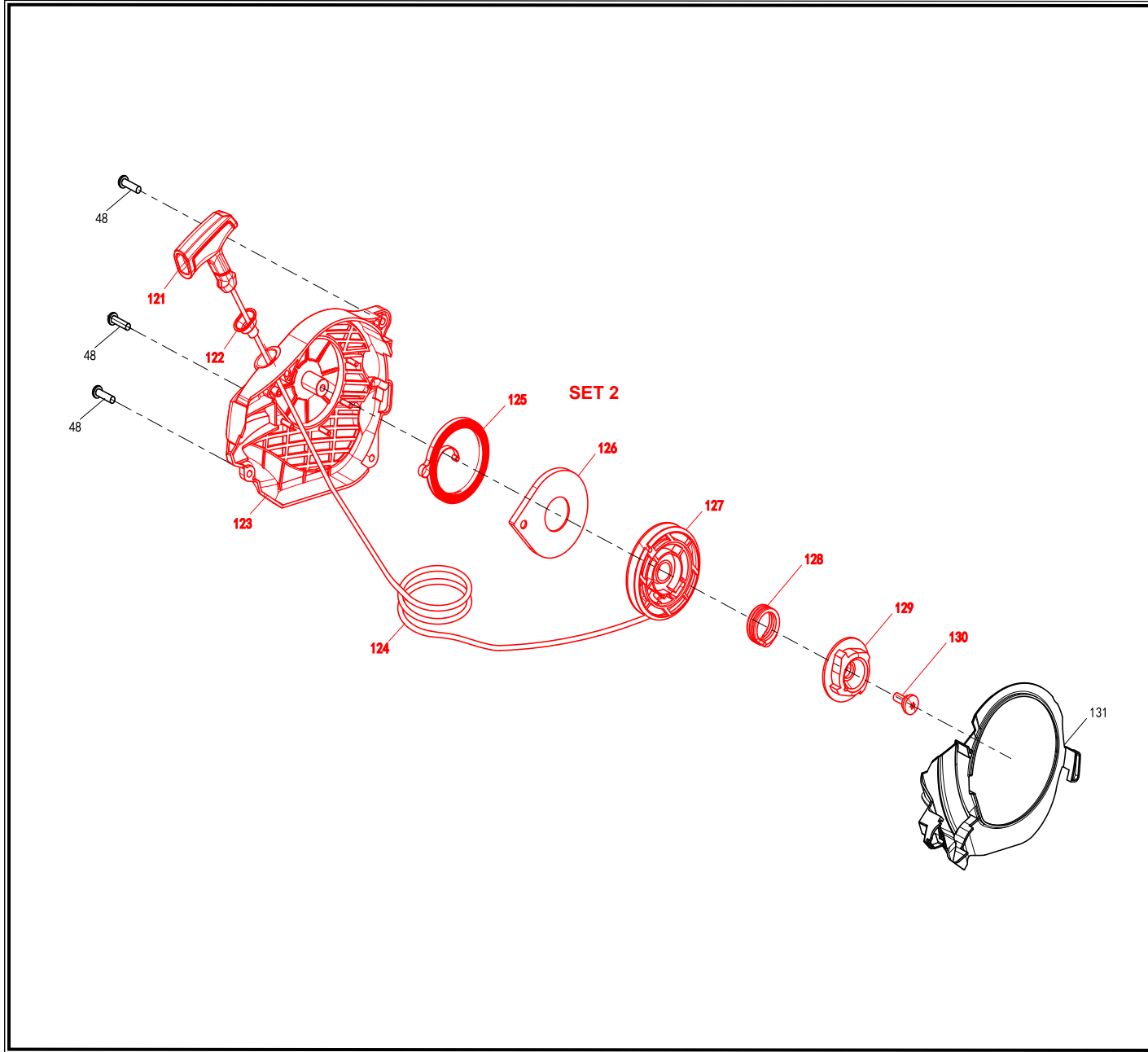
POS.	CODE	DESCRIPTION	QTY
71	A09332	COVER	1
72	A05598	LEAD SCREW	1
73	A09333	LINK STOPPER	1
74	A09334	CHAIN BLOCK SCREW	1
75	A05550	FELLING DOG	1
132	A09356	ANTI-ATTRITION ROD	1
133	A05786	VENT VALVE	1



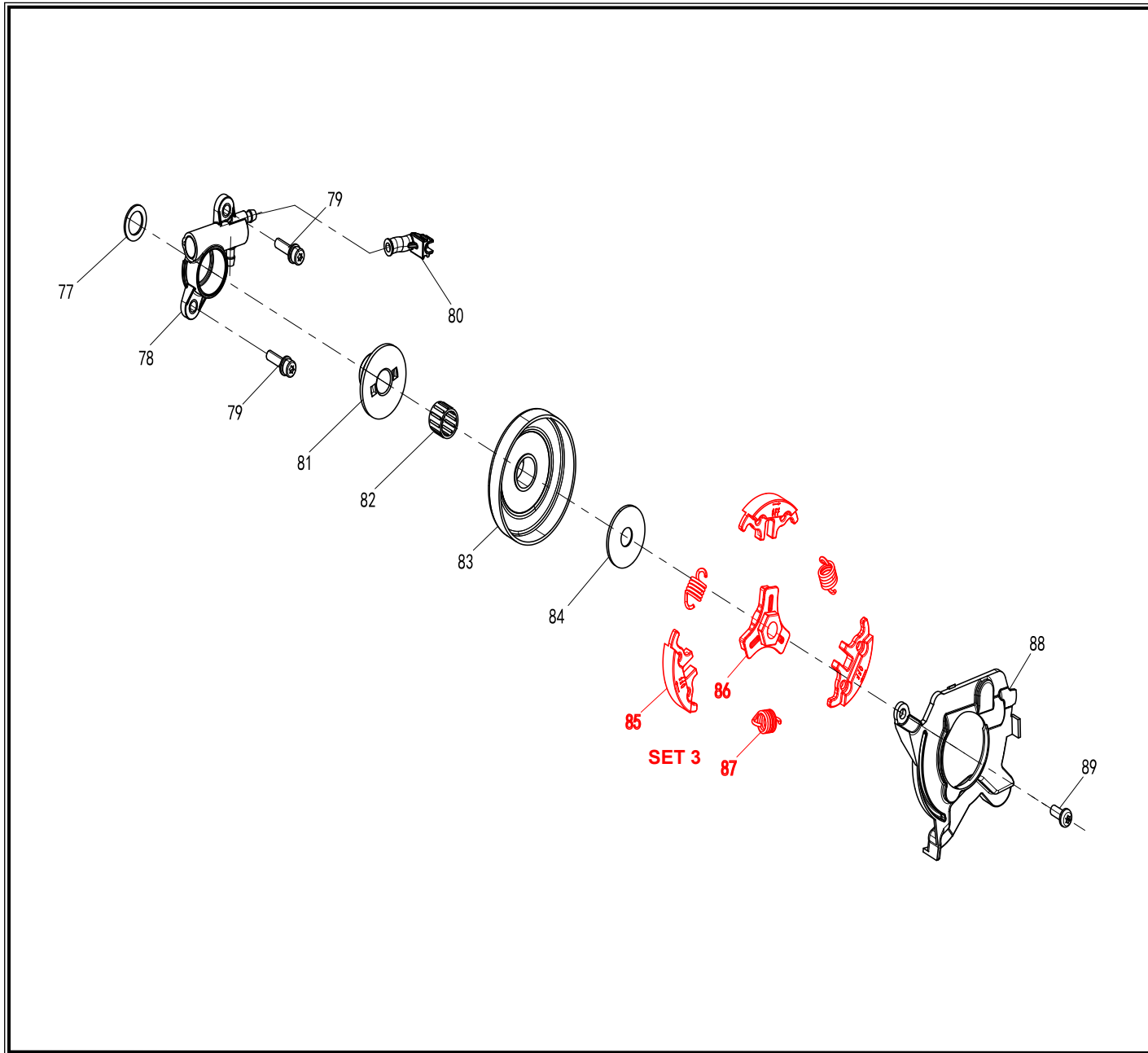
POS.	CODE	DESCRIPTION	QTY
48	A09313	TAPPING SCREW ST4.2X16	2
49	A05572	HANDLE SCREW	1
50	A09314	HANDLE	1
51	A09315	HANDLE SPRING	1
52	A05697	PRIMER BULB	1
53	A09316	INSULATED PIPE A	1
54	A05588	FITTINGS	2
55	A09317	PUMP PIPE	1
56	A09318	HANDLE	1
57	A09319	BACK SPRING	2
58	A09320	TAPPING SCREW ST4.2X12	3
59	A09321	AUTO RESET SWITCH	1
60	A09322	GROUND LINE	1
61	A09323	OFF LINE	1
62	A05587	FUEL PIPE	1
63	A09324	TRIGGER CONTROL	1
64	A09325	SPRING	1
65	A09326	ACCELERATOR SPRING	1
66	A09327	TRIGGER	1
67	A09328	FRONT SPRING	2
68	A09329	HANDLE COVER	1
69	A09330	TAPPING SCREW ST4.8X14	1
70	A09331	DUST CAP	1
90	A09347	INTAKE-TUBE	1
91	A09348	SCREW M4X12	2
92	A09349	BREATHER PIPE	1
93	A09350	HOOK MOUNT	1
94	A09351	LOCK	1
95	A05625	SUPPORT RING	1



POS.	CODE	DESCRIPTION	QTY
96	A09352	CARBURETOR	1
97	A09353	AIR INTAKE TOWER	1
98	A09354	SCREW M5X40	2
<b>SET 1 (99+100)</b>	A09381	AIR FILTER ASSEMBLY	1
101	A09357	AIR FILTER COVER	1
102	A09358	CLASP	1

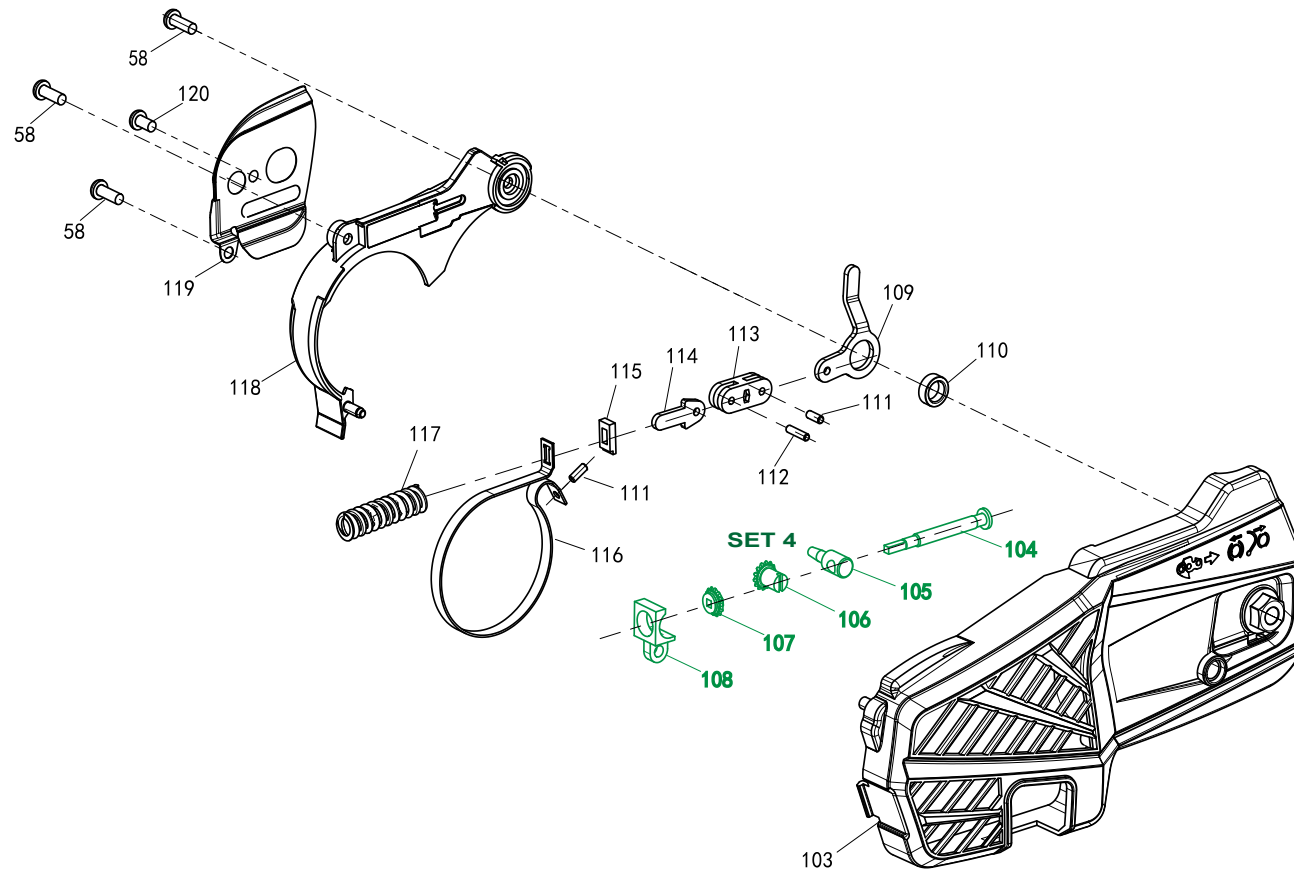


POS.	CODE	DESCRIPTION	QTY
48	A09313	TAPPING SCREW ST4.2X16	3
121	A05638	STARTER HANDLE	1
122	A05639	SHEATH OF ROPE	1
123	A09371	START COVER	1
124	A09372	STARTER ROPE	1
125	A09373	STARTER SPRING	1
126	A09374	STARTER SPRING COVER	1
127	A09375	ROPE WHEEL	1
128	A09376	RATCHET SPRING	1
129	A09377	RATCHET	1
130	A05647	STARTER SCREW	1
131	A09378	FLOW GUIDING COVER	1
<b>SET 2 (121-130)</b>	A09384	<b>STARTER ASSEMBLY</b>	1



POS.	CODE	DESCRIPTION	QTY
77	A09335	WORM WASHER	1
78	A09336	OIL PUMP	1
79	A09337	SCREW M4X14	2
80	A09338	OIL PUMP OUTLET PIPE	1
81	A09339	WORM	1
82	A11341	NEEDLE BEARING	1
83	A09385	CLUTCH DRUM	1
84	A09341	WASHER FOR CLUTCH	1
85	A09342	BRAKE CHEEK	3
86	A09343	SUPPORT RING	1
87	A09344	CLUTCH SPRING	3
<b>SET 3 (85-87)</b>	A09380	CLUTCH ASSEMBLY	1
88	A09345	OIL PUMP COVER PLATE	1
89	A09346	TAPPING SCREW ST4.2X10	1

**BRAKE ASSEMBLY  
A09383**



POS.	CODE	DESCRIPTION	QTY
	A09383	BRAKE ASSEMBLY	1
58	A09320	TAPPING SCREW ST4.2X12	3
103	A09359	CLUTCH COVER	1
104	A05634	TENSIONER SCREW	1
105	A05633	TENSIONER BLOCK	1
106	A05632	INITIATIVE TENSIONER GEAR	1
107	A05631	PASSIVE TENSIONER GEAR	1
108	A05630	GEAR BASE	1
<b>SET 4 (104-108)</b>	A09382	TENSIONER SET	1
109	A09360	OSCILLATING BAR	1
110	A09361	BUSH FOR OSCILLATING BAR	1
111	A09362	PIN 3X8	2
112	A09363	PIN 3X12	1
113	A09364	MAIN LEVEL	1
114	A09365	BAR OF BREAK CONTROL	1
115	A09366	BASE OF SPRING	1
116	A09367	BREAK STRAP	1
117	A09368	BREAK SPRING	1
118	A09369	BREAK SPRING COVER	1
119	A05629	TENSIONER COVER	1
120	A09370	TAPPING SCREW ST4.2X8	1