

FFGROUP[®]



GBC 252C PLUS
GBC 254C PLUS

EN

ORIGINAL INSTRUCTIONS

FR

NOTICE ORIGINALE

IT

ISTRUZIONI ORIGINALI

EL

ΠΡΩΤΟΤΥΠΟ ΟΔΗΓΙΩΝ ΧΡΗΣΗΣ

SR

ORIGINALNO UPUTSTVO ZA RAD

HR

ORIGINALNE UPUTE ZA RAD

RO

INSTRUCȚIUNI DE FOLOSIRE ORIGINALE

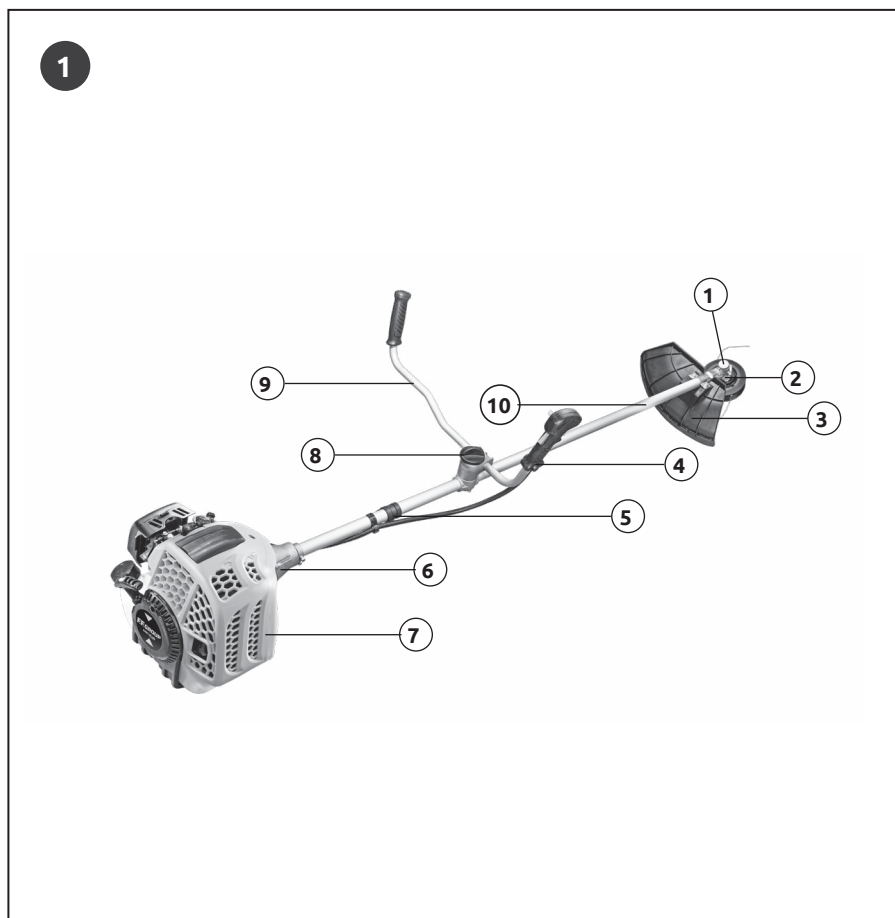
HU

EREDETI UTASÍTÁSOK

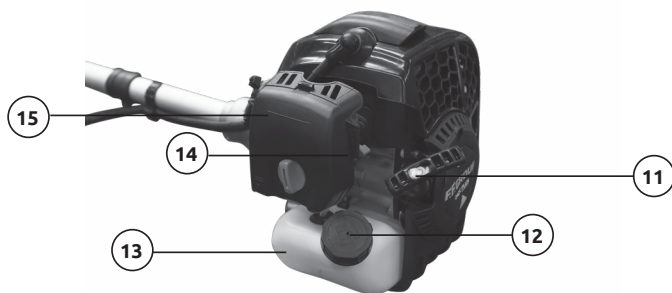
LT

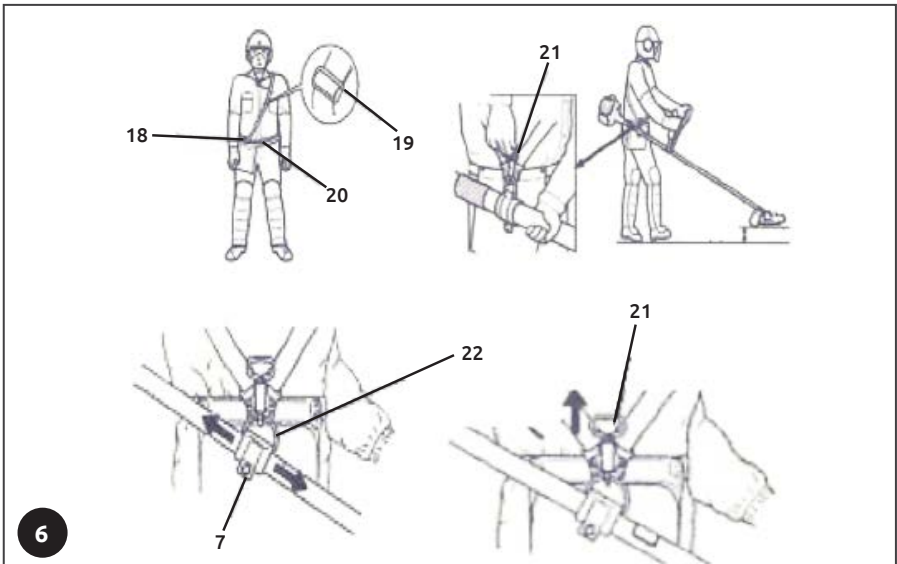
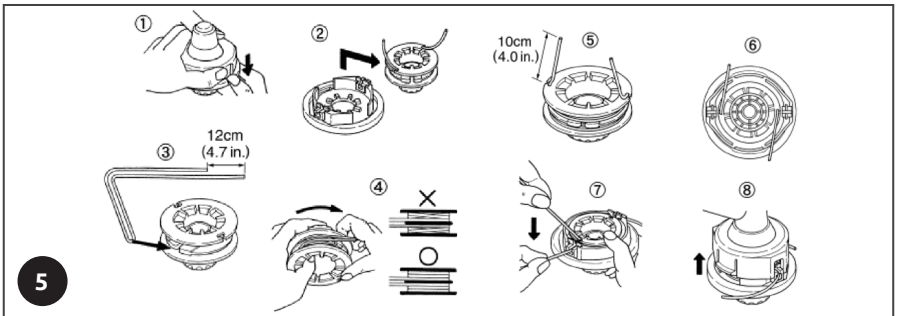
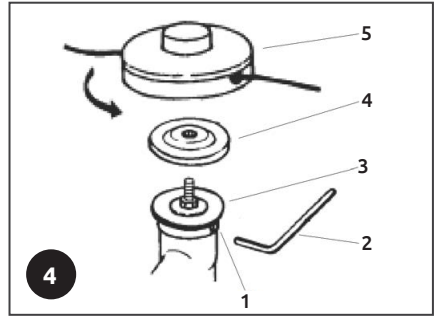
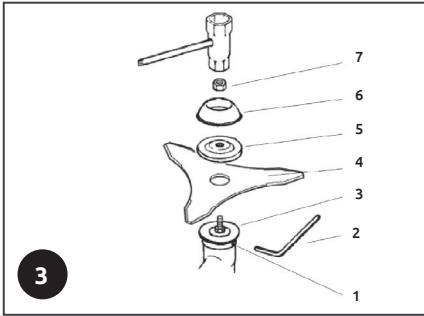
ORIGINALIOS INSTRUKCIJOS

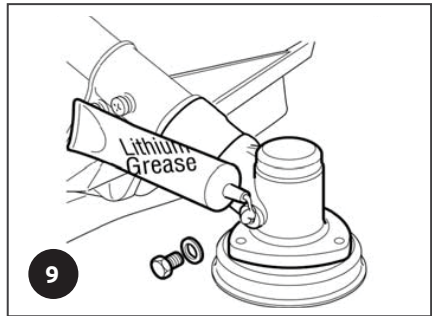
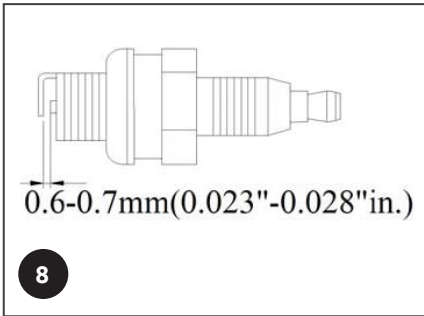
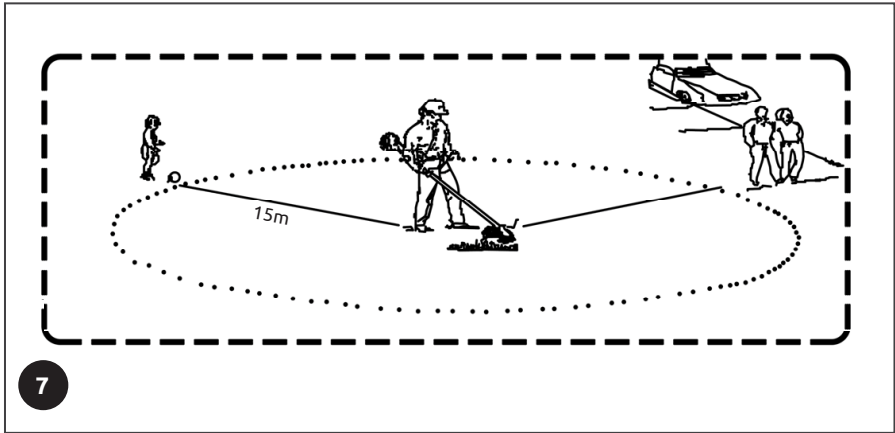
EXPLANATION OF SYMBOLS / EXPLICATION DES SYMBOLES / SPIEGAZIONE DEI SIMBOLI / ΕΠΕΞΗΓΗΣΗ ΣΥΜΒΟΛΩΝ / OBJAŠ- NJENJE SIMBOLA / OBJAŠNJENJE SIMBOLA / EXPLICAREA SIMBOLURILOR / SZIMBÓLUMOK JELENTÉSE / SIMBOLIŲ PAAIŠKINIMAS		6
EN	PETROL BRUSHCUTTER	10
FR	DÉBROUSSAILLEUSE À ESSENCE	15
IT	DECESPUGLIATORE A BENZINA	21
EL	ΘΑΜΝΟΚΟΠΤΙΚΟ ΒΕΝΖΙΝΗΣ	27
SR	BENZINSKI TRIMER ZA TRAVU	34
HR	BENZINSKI TRIMER ZA TRAVU	39
RO	MOTOCOASĂ PE BENZINĂ	45
HU	BENZINES BOZÓTVÁGÓ	51
LT	BENZININĖ KRŪMAPJOVĖ / TRIMERIS	57
CE		63















2








	ENGLISH	FRANÇAIS	ITALIANO	ΕΛΛΗΝΙΚΑ
	EXPLANATION OF SYMBOLS	EXPLICATION DES SYMBOLES	SPIEGAZIONE DEI SIMBOLI	ΕΠΕΞΗΓΗΣΗ ΣΥΜΒΟΛΩΝ
	Always read and understand the instructions before operating	Toujours lire et comprendre les instructions avant d'opérer	Leggere e comprendere sempre le istruzioni prima di operare	Διαβάστε και κατανοήστε τις οδηγίες χρήσης πάντα πριν από τη λειτουργία
	Always wear appropriate face protection when operating	Portez toujours une protection faciale appropriée lors de l'utilisation	Indossare sempre un'adeguata protezione per il viso durante il funzionamento	Να χρησιμοποιείτε πάντα το κατάλληλη προστασία προσώπου κατά τη λειτουργία
	Always wear appropriate ear protection when operating	Portez toujours une protection de l'oreille appropriée lors de l'exploitation	Indossare sempre un'adeguata protezione dell'orecchio quando si opera	Να χρησιμοποιείτε πάντα κατάλληλη προστασία αυτιών κατά τη λειτουργία
	Always wear appropriate head protection when operating	Portez toujours une protection de la tête appropriée lors de l'utilisation	Indossare sempre un'adeguata protezione per la testa durante il funzionamento	Να χρησιμοποιείτε πάντα το κατάλληλη προστασία κεφαλής κατά τη λειτουργία
	Always wear appropriate hand protection when operating	Portez toujours une protection appropriée pour les mains lors de l'exploitation	Indossare sempre la protezione della mano appropriata quando si opera	Να χρησιμοποιείτε πάντα κατάλληλη προστασία χεριών κατά τη λειτουργία
	Always wear appropriate feet protection when operating	Portez toujours une protection appropriée des pieds lors de l'exploitation	Indossare sempre la protezione appropriata dei piedi quando si opera	Να χρησιμοποιείτε πάντα κατάλληλη προστασία ποδιών κατά τη λειτουργία
	Always wear appropriate protective pants when operating	Portez toujours des pantalons de protection appropriés lors de l'utilisation	Indossare sempre pantaloni protettivi durante il funzionamento	Να χρησιμοποιείτε πάντα κατάλληλο παντελόνι προστασίας κατά τη λειτουργία
	Keep hands and feet clear of rotating parts	Gardez les mains et les pieds éloignés des pièces en rotation	Tenere mani e piedi lontani dalle parti rotanti	Διατηρείτε τα χέρια και τα πόδια σας μακριά από τα περιστρεφόμενα μέρη
	Risk of damage, due to kickback during operation	Risque d'endommagement dû au rebond pendant le fonctionnement	Rischio di danni, a causa di contraccolpi durante il funzionamento	Κίνδυνος ζημιάς, λόγω ανάκρουσης κατά τη λειτουργία
	Risk of poisoning, due to toxic gases	Risque d'empoisonnement, dû aux gaz toxiques	Rischio di avvelenamento, a causa di gas tossici	Κίνδυνος δηλητηρίασης, λόγω τοξικών αερίων
	Always use both hands when operating	Utilisez toujours les deux mains lors de l'utilisation	Usare sempre entrambe le mani durante il funzionamento	Χρησιμοποιείτε πάντα και τα δύο χέρια κατά τη λειτουργία
	Do not use the upper part of chainsaw bar tip when cutting	N'utilisez pas la partie supérieure de la pointe du guide-chaîne lors de la coupe	Non utilizzare la parte superiore della punta della barra della motosega durante il taglio	Μην χρησιμοποιείτε το άνω μέρος του άκρου της λάμας όταν κόβετε

SRPSKI	HRVATSKI	ROMÂNĂ	MAGYAR	LIETUVIŲ K.
OBJAŠNJENJE SIMBOLA	OBJAŠNJENJE SIMBOLA	EXPLICAREA SIMBOLURILOR	SZIMBÓLUMOK JELENTÉSE	SIMBOLIŲ PAAIŠKINIMAS
Uvek pročitajte i razumejte uputstva pre rada	Uvijek pročitajte i shvatite upute prije operacije	Citiți și înțelegeți întotdeauna instrucțiunile înainte de a utiliza	Használat előtt mindig olvassa el és értsse meg az utasításokat	Prieš pradėdami dirbti, visada perskaitykite ir supraskite instrukcijas
Uvek nosite odgovarajuću zaštitu za lice kada radila	Prilikom rada uvijek nosite odgovarajuću zaštitu za lice	Purtați întotdeauna protecție adecvată pentru față când lucrați	Munka közben mindig viseljen megfelelő arcvédőt	Dirbdami visada dėvėkite tinkamą veido apsaugą
Uvek nosite odgovarajuću zaštitu za uši kada radila	Uvijek nosite odgovarajuću zaštitu za uši prilikom rada	Purtați întotdeauna o protecție adecvată a urechii în timpul funcționării	Működés közben mindig viseljen megfelelő fülvédőt	Dirbdami visada dėvėkite tinkamas ausų apsaugos priemonės
Uvek nosite odgovarajuću zaštitu glave kada radila	Prilikom rada uvijek nosite odgovarajuću zaštitu za glavu	Purtați întotdeauna protecție adecvată pentru cap atunci când lucrați	Munka közben mindig viseljen megfelelő fejvédőt	Dirbdami visada dėvėkite tinkamą galvos apsaugą
Uvek nosite odgovarajuću zaštitu ruku kada radila	Prilikom rada uvijek nosite odgovarajuću zaštitu ruku	Purtați întotdeauna o protecție adecvată a mâinii în timpul funcționării	Munka közben mindig viseljen megfelelő kézvédőt	Dirbdami visada dėvėkite tinkamą rankų apsaugą
Uvek nosite odgovarajuću zaštitu stopala kada radila	Uvijek nosite odgovarajuću zaštitu stopala prilikom rada	Purtați întotdeauna protecție adecvată pentru picioare atunci când	Munka közben mindig viseljen megfelelő lábvédőt	Dirbdami visada dėvėkite tinkamą pėdų apsaugą
Uvek nosi odgovarajuće zaštitne pantalone kada operišeš	Prilikom rada uvijek nosite odgovarajuće zaštitne hlače	Purtați întotdeauna pantaloni de protecție corespunzători când lucrați	Munka közben mindig viseljen megfelelő védőnadrágot	Dirbdami visada dėvėkite tinkamas apsaugines kelnes
Drži ruke i noge dalje od rotirajućih delova	Držite ruke i noge dalje od rotirajućih dijelova	Țineți mâinile și picioarele departe de părțile rotative	Kezét és lábát tartsa távol a forgó alkatrészekről	Rankas ir kojas laikykite toliau nuo besisukančių dalių
Rizik od oštećenja, zbog mita tokom operacije	Opasnost od oštećenja zbog povratnog udarca tijekom rada	Risc de deteriorare, din cauza reculului în timpul funcționării	Károsodás veszélye működés közbeni visszarúgás miatt	Žalos rizika dėl atstūmimo eksploatacijos metu
Rizik od trovanja, zbog otrovnih gasova	Opasnost od trovanja, zbog otrovnih plinova	Risc de otrăvire, din cauza gazelor toxice	Mérgezésveszély a mérgező gázok miatt	Apsinuodijimo rizika dėl toksikų dujų
Uvek koristi obe ruke prilikom rada	Prilikom rada uvijek koristite obje ruke	Folositi întotdeauna ambele mâini când lucrați	Működés közben mindig mindkét kezét használja	Dirbdami visada naudokite abi rankas
Ne koristite gornji deo vrha motorne testere prilikom sečenja	Prilikom rezanja nemojte koristiti gornji dio vrha šipke motorne pile	Nu folosiți partea superioară a vârfului barei de ferăstrău cu lanț atunci când tăiați	Vágáskor ne használja a láncfűrészlap felső részét	Pjaustant nenaudokite viršutinės grandininio pjūklo strypo antgalio dalies

	ENGLISH	FRANÇAIS	ITALIANO	ΕΛΛΗΝΙΚΑ
	EXPLANATION OF SYMBOLS	EXPLICATION DES SYMBOLES	SPIEGAZIONE DEI SIMBOLI	ΕΠΕΞΗΓΗΣΗ ΣΥΜΒΟΛΩΝ
	Keep hands and feet clear of moving saw parts	Gardez les mains et les pieds éloignés des pièces mobiles de la scie	Tenere mani e piedi lontani dalle parti in movimento della sega	Διατηρείτε τα χέρια και τα πόδια σας μακριά από τα κινούμενα εξαρτήματα ηριονίσματος
	Do not keep or operate in wet environment	Ne pas conserver ou opérer dans un environnement humide	Non tenere o operare in un ambiente umido	Μη διατηρείτε ή λειτουργείτε σε υγρό περιβάλλον
	Do not keep near sources of heat or fire	Ne pas conserver à proximité de sources de chaleur ou de feu	Non tenere vicino a fonti di calore o fuoco	Μη διατηρείτε κοντά σε πηγές θερμότητας ή φωτιάς
	Wait until all rotating parts have completely stopped before touching them	Attendez que toutes les pièces en rotation soient complètement arrêtées avant de les toucher	Attendere che tutte le parti rotanti si siano completamente fermate prima di toccarle	Περιμένετε να ακινητοποιηθούν όλα τα περιστρεφόμενα μέρη πριν τα αγγίξετε
	Risk of burn injury or fire, due to hot surface	Risque de brûlure	Rischio di ustioni	Κίνδυνος εγκαύματος ή φωτιάς, λόγω καυτής επιφάνειας
	Important, danger, warning, or caution	Important, danger ou avertissement	Importante, pericolo o avviso	Σημαντικό, κίνδυνος ή προειδοποίηση
	Risk of injury, due to thrown or ricochet objects	Risque de blessure en cas de projection ou de ricochet d'objets	Rischio di lesioni, a causa di oggetti lanciati o rimbalzati	Κίνδυνος τραυματισμού, λόγω αντικειμένων που εκτοξεύονται ή εξοστρακίζονται
	Risk of damage. Keep people, animals or nearby property at least 15m away	Risque de dommages. Gardez les personnes, les animaux ou les propriétés à proximité à au moins 15 mètres	Rischio di danni. Tenere persone, animali o proprietà vicine ad almeno 15m di distanza	Κίνδυνος ζημιάς. Κρατήστε ανθρώπους, ζώα ή αντικείμενα αξίας τουλάχιστον 15m μακριά
	Risk of hand injury, due to sharp parts	Risque de blessures aux mains en raison de pièces coupantes	Rischio di lesioni alle mani, a causa di parti taglienti	Κίνδυνος τραυματισμού άνω άκρων, λόγω κοφτερών μερών
	Risk of injury, due to sharp blades	Risque de blessure dû aux lames tranchantes	Pericolo di lesioni a causa di lame affilate	Κίνδυνος τραυματισμού, λόγω κοφτερών λεπίδων
	Must be recycled and should always be disposed in accordance with applicable directives	Doit être recyclé et doit toujours être éliminé conformément aux directives applicables	Deve essere riciclato e deve essere sempre smaltito secondo le direttive applicabili	Πρέπει να ανακυκλώνεται και πρέπει πάντα να απορρίπτεται σύμφωνα με τις ισχύουσες οδηγίες
	Complies with applicable safety directives and relative standards	Conforme aux directives de sécurité applicables et aux normes relatives	Conforme alle direttive di sicurezza applicabili e alle relative norme	Συμμορφώνεται με τις ισχύουσες οδηγίες ασφαλείας και τα σχετικά πρότυπα

SRPSKI	HRVATSKI	ROMÂNĂ	MAGYAR	LIETUVIŲ K.
OBJAŠNJENJE SIMBOLA	OBJAŠNJENJE SIMBOLA	EXPLICAREA SIMBOLURILOR	SZIMBÓLUMOK JELENTÉSE	SIMBOLIŲ PAAIŠKINIMAS
Drži ruke i noge dalje od pokretnih delova testere	Držite ruke i noge dalje od pokretnih dijelova pile	Țineți mâinile și picioarele departe de piesele mobile ale ferăstrăului	Tartsa távol kezét és lábát a mozgó fűrészrészektől	Rankas ir kojas laikykite toliau nuo judančių pjūklų dalių
Ne držite ili ne radite u vlažnom okruženju	Nemojte držati ili ne raditi u mokrom okruženju	Nu păstrați și nu acționați într-un mediu umed	Ne tárolja és ne működtesse nedves környezetben	Negalima laikyti ar veikti drėgnoje aplinkoje
Ne držite se blizu izvora toplote ili vatre	Nemojte držati u blizini izvora topline ili vatre	Nu țineți lângă surse de căldură sau foc	Ne tartsa hő- vagy tűzforrás közelében	Nelaikykite šalia šilumos ar ugnies šaltinių
Sačekajte dok svi rotirajući delovi potpuno ne prestanu pre nego što ih dodirnete	Pričekajte da se svi rotirajući dijelovi potpuno zaustave prije nego što ih dodirnete	Așteptați până când toate părțile rotative s-au oprit complet înainte de a le atinge	Várja meg, amíg az összes forgó alkatrész teljesen leáll, mielőtt megérinti őket	Palaukite, kol visos besisukančios dalys visiškai sustos, prieš paliesdami jas
Rizik od opekotina	Rizik od opekлина	Risc de arsură	Égési sérülés vagy tűz veszélye a forró felület miatt	Nudegimo sužalojimo ar gaisro rizika dėl karšto paviršiaus
Važno, opasnost ili upozorenje	Važno, opasnost ili upozorenje	Important, pericol sau avertisment	Fontos, veszély, figyelmeztetés vagy óvatosság	Svarbu, pavojus, įspėjimas ar atsargumas
Rizik od povreda, zbog bačenih ili rikošet predmeta	Opasnost od ozljeda, zbog bačenih ili rikošetnih predmeta	Risc de rănire, din cauza obiectelor aruncate sau ricoșate	Sérülésveszély kidobott vagy kidobott tárgyak miatt	Rizika susižeisti dėl išmestų ar rikošeto objektų
Rizik od oštećenja. Držite ljude, životinje ili obližnju imovinu najmanje 15 metara dalje	Rizik od oštećenja. Držite ljude, životinje ili obližnje imanje na udaljenosti od najmanje 15m	Risc de deteriorare. Țineți oamenii, animalele sau bunurile din apropiere la cel puțin 15m distanță	Károsodás veszélye. Tartsa az embereket, állatokat vagy a közeli ingatlant legalább 15m távolságra	Žalos rizika. Laikykite žmones, gyvūnus ar netoliese esantį tur tą bent už 15 m atstumu
Rizik od povrede ruke, zbog oštřih delova	Opasnost od ozljeda ruke zbog oštřih dijelova	Risc de rănire a mâinii, din cauza pieselor ascuțite	Kéz sérülés veszélye az éles részek miatt	Rankų sužalojimo rizika dėl aštrių dalių
Rizik od povreda, zbog oštřih sečiva	Opasnost od ozljeda, zbog oštřih oštřica	Risc de rănire, din cauza lamelor ascuțite	Sérülésveszély az éles pengék miatt	Sužalojimo pavojus dėl aštrių ašmenų
Mora se reciklirati i uvek ga treba raspolagati u skladu sa važećim direktivama	Mora se reciklirati i uvijek zbrinuti u skladu s važećim direktivama	Trebuie reciclat și trebuie întotdeauna eliminat în conformitate cu directivele aplicabile	Újrahasznosítani kell, és mindig a vonatkozó irányelveknek megfelelően kell ártalmatlanítani	Turi būti perdirbtas ir visada turi būti šalinamas pagal taikomas direktyvas
U skladu sa važećim bezbednosnim direktivama i relativnim standardima	U skladu s primjenjivim sigurnosnim direktivama i relativnim standardima	Respectă directivele de siguranță aplicabile și standardele aferente	Megfelel a vonatkozó biztonsági irányelveknek és a vonatkozó szabványoknak	Atitinka taikomas saugos direktyvas ir santykinius standartus

ENGLISH

GENERAL SAFETY WARNINGS

Read and understand this owner's manual before operating this unit. You can help prevent accidents by being familiar with your product's controls and by observing safe operating procedures and safety signs. Do not expose the unit to excessive moisture, dust, dirt or corrosive vapors. Never attempt to modify the product. Always use your common sense to avoid all situations considered beyond your capability. Do not use the unit while you are tired or under the influence of drugs, alcohol or any other medication. Keep children and bystanders away while operating (Fig. 6). Never allow children or people unfamiliar with these instructions to use the machine. Local laws can restrict the minimum age of the operator. Bear in mind that the operator or user is responsible for accidents or unexpected events occurring to other people or their property. Consult your authorized dealer for disassembly and service, not covered in this manual.

CARBON MONOXIDE HAZARDS

Operate only outdoors. Never run the engine indoors as it exhausts poisonous carbon monoxide, an odorless and colorless gas. Inhaling carbon monoxide will cause nausea, fainting or death.

FIRE AND BURN HAZARDS

Do not use in areas with high risk of fire. The exhaust system gets hot enough to ignite flammable materials.

Some parts of the unit become very hot during operation and you should pay attention not to touch them in order to avoid getting burned. Let it cool before storing it.

Never smoke near the unit. Potential sources of fire or spark should be kept away. Pay attention to fire hazards when refueling the unit. If a fire occurs, use an appropriate fire extinguisher especially designed for oil and gasoline fire.

FUEL AND OIL HAZARDS

Gasoline and oil are toxic and flammable. Follow the instructions provided by each manufacturer before use.

Make sure that there is some distance between any spare gasoline tank and the unit, to prevent unnecessary danger. Refuel only outdoors in a well-ventilated area with the engine off. Do not refuel during operation. Do not overfill the fuel tank. Never smoke near gasoline. Keep sources of fire and spark away. Always store gasoline in approved containers. Make sure that any and all spilled fuel and oil has been wiped off before starting the engine.

Slowly open the fuel tank to allow the pressure inside to decrease gradually.

PROTECTIVE EQUIPMENT

Always wear appropriate and certified protective equipment when operating the unit.

Always wear adequate clothing which does not hamper movements when using the machine. Always wear slim-fitting protective clothes, helmet, anti-vibration gloves, protective goggles, half-mask respirator, acoustic protection equipment and anti-shear safety boots with non-slip soles. Never wear scarves, shirts, necklaces or any hanging or flapping accessory that could catch in the machine. Tie up your hair if it is long. A breathing mask should be used when there is a risk of dust.

CATEGORY SAFETY WARNINGS

SAFE OPERATION

The throttle trigger must move freely, it must not need forcing and should return automatically and rapidly back to the neutral position.

The engine stop switch knob must easily move from one position to the other.

The electric cables and in particular the spark plug cable must be in perfect condition to avoid the generation of any sparks, and the cap must be correctly fitted on the spark plug.

The machine handgrips and protection devices must be clean and dry and well fastened to the machine.

Do not mount equipment or accessories on the machine not foreseen or approved by the manufacturer. Non-authorized modifications and/or accessories can result in serious personal injury or the death of the operator or others.

It is recommended that legs and feet are covered to protect from flying debris during operation.

Always use proper handles and shoulder straps when operating.

Make sure that you stop the engine:

- When mounting or removing accessories.
- Whenever you leave the machine unattended or whenever you intend to rest it on the ground.
- During refueling.
- When moving between work areas.

WARNING: Rotating parts can cause serious injury, avoid contacting the rotating parts when they are still in rotation. In case foreign body has been stuck on the machine, turn off the engine, inspect the machine for any damage and make repairs before starting it again.

WARNING: Never touch the cutting head when the engine is running.

WARNING: If something breaks or an accident occurs while working, turn off the engine immediately and move the machine away to prevent further damage.

The noise and vibration levels shown in these instructions are the maximum levels for use of the machine. Insufficient maintenance has a significant impact on vibration and noise emissions. Consequently, it is necessary to take preventive steps to eliminate possible damage due to high levels of noise and stress from vibration. Maintain the machine well, wear ear protection devices and take breaks while working. Operating the machine with a stable speed and gripping the handle firmly with suitable force can decrease the vibration level. Low engine speed means low-noise level.

el, so operate the machine at the lowest engine speed necessary to accomplish the task. During a working day, you shall take frequent and adequate breaks to prevent damage from vibration and damage to the ears. Prolonged exposure to vibrations can cause injuries and neurovascular disorders (also called “Raynaud’s syndrome” or “white hand”), especially to people suffering from circulation disorders. The symptoms can regard the hands, wrists and fingers and are shown through loss of sensitivity, torpor, itching, pain and discoloring of or structural changes to the skin. These effects can be worsened by low ambient temperatures and/or by gripping the hand-grips excessively tightly. If the symptoms occur, the length of time the machine is used must be reduced and a doctor consulted.

WORKING AREA HAZARDS

Thoroughly inspect the whole work area and use a rake or yard brush to manually loosen debris and remove anything that could be projected by the machine and become a hazardous source (stones, branches, iron wire, bones etc.) or could be entangled in the cutting head. Check that there are no bystanders or pets within at least 15 meters of the machine’s range of action (Fig. 6). Do not direct the silencer and therefore the exhaust fumes towards flammable materials. Always check for any objects that may block the air intake screen before beginning to work. A clogged air intake reduces the machine’s performance and increases the engine’s working temperature, which can result in engine failure. Do not operate the engine in a confined space where dangerous carbon monoxide fumes can develop. Don’t operate the machine near open windows. Work only in daylight or with good artificial light in good visibility conditions. Try not to cause any disturbance. Use this machine at reasonable times of the day only (not early morning or late evening when the noise could cause disturbance). When working in dry dusty soil conditions, it is recommended to moisten the surface slightly and / or use an appropriate dust mask. Take on a firm and well-balanced position. Where possible, avoid working on wet, slippery ground or in any case on uneven or steep ground that does not guarantee stability for the operator.

PRODUCT SPECIFICATIONS

INTENDED USE

This machine was designed and manufactured for cutting grass and growth e.g. in lawns, pathways, car parks and roads. Any other use differing from the above-mentioned ones could be hazardous, harm people and/or damage things and the machine.

IMPROPER USE

The machine must not be used for cutting hazardous materials, e.g. accumulation of flammable or explosive products, lit cigarettes, pieces of glass, sharp objects, metal objects, stones and any other

object that could be dangerous to the operator and others.

Examples of improper use may include, but are not limited to:

- Aiming the cutting head towards persons and/or animals;
- Using the machine without the accessories specifically supplied by the manufacturer for specific uses, or use of accessories in a way not intended in these instructions;
- Use of the machine by more than one person.

TECHNICAL DATA			
Article number		45 561	47 591
Model		GBC 252C PLUS	GBC 254C PLUS
Cylinder displacement	cc	52	54
Idle speed	rpm	3.100 ±400	3.100 ±400
Maximum engine power	kw / hp	1,4 / 1,9	1,8 / 2,4
Maximum engine speed	rpm	9.000	9.000
Speed of output shaft	rpm	8.250	8.250
Spark plug		NGK BPMR7A	NGK BPMR7A
Electrode gap	mm	0,6-0,7	0,6-0,7
Fuel tank capacity	L	1,2	1,2
Weight without fuel, cutting attachment and guard	kg	7,8	7,8
Noise emissions			
Sound power level, measured	dB (A)	98,7	98,7
Uncertainty	dB (A)	3	3
Sound power level, guaranteed	dB (A)	114	114
Equivalent vibration levels			
Measured vibration level at handle	m/s²	8,03	8,03
Uncertainty	m/s²	1,5	1,5
Accessories			
Trimmer head		Tap & Go	Tap & Go
Trimmer line Φ	mm	2,4	2,4
Brush blade	mm	255	255

IDENTIFICATION

1. Bevel gear case
2. Nylon head cutter
3. Debris shield
4. Throttle control
5. Harness hook point
6. Clutch
7. Engine
8. Handle adjustment knob
9. Bike type handle
10. Drive shaft
11. Recoil start
12. Fuel tank cap
13. Fuel tank
14. Choke
15. Air cleaner

OPERATION

PREOPERATION

Unpacking and completing the assembly should be done on a flat and stable surface, with enough space for moving the machine and its packaging, always making use of suitable equipment.

Install the handle in bracket by positioning the handle in a comfortable position and tightening the four bolts. Install the debris shield on the shaft with the provided bracket and bolts. Tighten the bolts after positioning the safety cover bracket at the appropriate position.

INSTALLING THE BLADE

To install the cutting blade (Fig. 3):

1. Insert the hex-key (2) into the specific hole in the angle transmission (1) and rotate the blade (4) by hand until the hex-key enters the inner hole, blocking rotation.
2. Unscrew the nut (7) in a clockwise direction and remove the cover (6).
3. Pull out the outer ring-nut (5) and remove the blade (4).
4. Ensure that the grooves in the inner ring-nut (3) match up perfectly with the angle transmission (1).
5. Fit the blade (4) and outer ring-nut (5).
6. Refit the cover (6) and the nut (7), fully tightening it in an anticlockwise direction.
7. Remove the hex-key (2).

WARNING: Wear protective gloves when fitting the blade to avoid getting hurt.

WARNING: Excessive vibration of the blade could mean non proper fitting of it and could cause machine failure and / or injury. Stop the engine immediately and check the blade installation.

INSTALLING THE NYLON HEAD

To install the nylon head (Fig. 4):

1. Insert the hex-key (2) into the specific hole in the angle transmission (1) and rotate the cutting line head (4) by hand until the hex-key enters the inner hole, blocking rotation.
2. Unscrew the cutting line head (4) in a clockwise direction and remove it.
3. Pull out the outer ring-nut (5).

4. Ensure that the grooves in the inner ring-nut (3) match up perfectly with the angle transmission (1).
5. Fit the outer ring-nut (5).
6. Fit the cutting line head (4) screwing it up in an anticlockwise direction.
7. Remove the hex-key (2).

NOTE: To replace the nylon head line refer to Fig. 5.

WARNING: Use only quality nylon monofilament line of the diameter 2.5mm. Never use wire or wire-reinforced line in place of nylon trimmer line. Load your nylon line cutting head only with nylon trimmer line of the proper diameter.

USING THE SHOULDER HARNESS

To use the shoulder harness:

1. Assemble and adjust the shoulder harness and belt, as shown in Fig. 6.
2. Hang the latch tab on the harness hook.
3. If the trimmer doesn't balance, then adjust the harness hanger, and the handlebar, until the grass trimmer balances.

WARNING: The hook is situated at your right hip and the quick release latch is situated on the outside. Get to know how to quickly unhook the unit from harness quickly before operating the unit, by pulling the quick release latch tab upwards.

WARNING: Keep a firm grip with both hands when operating by holding the unit with the right hand on the trigger handle and the left hand on the left handle.

Before starting work please:

1. Check that all the bolts, nuts and fittings on the machine are tightly fastened.
2. Check that the air filter is clean and clean or replace with new if needed.
3. Prepare accessories and make sure they are correctly mounted.
4. Check that the protector is securely in place.
5. Fill with fuel as indicated below and make sure there is no fuel leakage.
6. Check that the nylon head or blade is not damaged.

FUELING AND LUBRICATION

WARNING: Never smoke whilst refueling and avoid inhaling the petrol fumes.

The unit is equipped with 2-stroke engine. Therefore, mixture of unleaded gasoline (of 89 octane or higher) and 2-stroke oil must always be used. Use only gasoline that does not contain any ethanol or methanol. It is very important to pay attention with the fuel mixture that you use, since accurate mixture of oil and fuel must be obtained. Small quantities of oil and fuel mixture with small inaccuracies, can affect the ratio of mixture, which may lead to engine overheat and serious damages in the engine. It is recommended that you mix only the amount needed for the job that you are about to do, in order to keep only fresh mixture.

WARNING: Carefully open the tank top as pressure could have formed inside.

Especially formulated 2-stroke oil for air cooled 2-stroke engines must be used. Do not use 2-stroke

oil intended for water cooled engines. Never use poor quality of oil or 4-stroke engine oil. For best results and performance, the mixing ratio of gasoline to oil is 30:1.

Always use clean container for fuel before mixing the fuel. Mix and shake the fuel mixture thoroughly, before filling the machine's fuel tank. Do not use fuel mixture stored for more than a month. The fuel tank of the machine must be emptied before storage.

Always use a funnel to refuel the machine.

Do not overfill. Leave a minimum 5 mm of space between the top of the fuel-oil mixture and the inside edge of the tank to allow for expansion. It is recommended that you fill the fuel tank up to ¾ of its full potential.

WARNING: Always close the fuel tank cap firmly.

STARTING THE UNIT

1. Move the ignition switch to "START" position.
2. Give a gentle push on the primer pump repeatedly (7-10 times) until fuel comes into the primer pump.
3. In case of a cold start: Pull the choke lever up to close choke.
4. Move the throttle trigger and keep it in position with the throttle lock (if present).
5. Pull the recoil start until engine starts. If the recoil start is pulled repeatedly with the choke on, it may flood the engine and make starting difficult. If you have flooded the engine, remove the spark plug and gently pull the handle on the starter rope to eliminate any excess fuel. Then reposition a dry spark and retry.

WARNING: To avoid breaking the starter rope, do not pull the whole length of it or let it slide along the edge of the cable guide hole. Release the starter gradually, to avoid letting it fly back uncontrollably.

6. When the engine is started and idling return the choke lever back to open choke.
7. Disengage the throttle lock (if present) pressing the throttle trigger briefly.
8. Allow engine to warm up for a few minutes before using.

NOTE: When the engine is hot the choke should remain at "RUN" position at all times.

OPERATING THE UNIT

The cutting head rotates in a counter clockwise manner. The cut-off knife for the trimmer line is situated on the right side of the debris shield. For nearly all head line cutting, it is recommended to tilt the head line so that the contact is made on the part of the line circle that the line is moving away from you and the debris shield. This will result in any debris to be diverted away from you. If cutting up to a barrier such as fence, wall or tree, approach from an angle such as to ricochet any flying debris away from you.

WARNING: Do not cut where you cannot see what the cutting tool is cutting.

Blade is used for cutting growth up to ¾" in diameter. **WARNING:** Do not use the brush cutter for cutting trees which exceed ½" to ¾" in diameter.

WARNING: Always be aware of blade thrust. Blade thrust is the reaction which may occur when the spinning blade contacts anything that cannot cut; causing the blade to stop for an instant and cause a force that could thrust the brush cutter away from the contacted obstacle.

STOPPING THE UNIT

1. Release your hand from the throttle control. Allow the engine to cool down by running in idle for 2-3 minutes.
2. If your unit is equipped with a spring loaded On/Off switch, press and hold the button on "O" position until the engine stops. Otherwise, push the switch to the "Off" position.

MAINTENANCE AND CLEANING

WARNING: Never do maintenance or cleaning with the unit running. Always work on a cool unit.

WARNING: Before cleaning or doing maintenance work, disconnect the spark plug cap and read the relevant instructions. Wear proper clothing and protective gloves whenever your hands are at risk.

Any adjustments or maintenance operations not described in this manual must be carried out by your Dealer or a specialized Service Centre with the necessary knowledge and equipment to ensure that the work is done correctly maintaining the machine's original safety level. Any operations performed in unauthorized centers or by unqualified persons will totally invalidate the Warranty and all obligations and responsibilities of the Manufacturer.

Keep all nuts and screws tight to be sure the machine is always in safe working condition. Routine maintenance is essential for safety and for maintaining a high-performance level.

WARNING: Never use the machine with worn or damaged parts. Faulty or worn-out parts must always be replaced and not repaired. Only use original spare parts.

Items		Frequency					
		Before each use	During each refuelling stop	After each use	Every week or every 10 hrs of operation	Every month or every 50 hrs of operation	Every 12 months or every 100 hrs of operation
Complete unit	Visual Inspection	√	√	√			
	Clean			√			
Control handles	Check	√	√	√			
Air filter	Check and clean			√*	√*		
	Replace					√	

Items		Frequency					
		Before each use	During each refuelling stop	After each use	Every week or every 10 hrs of operation	Every month or every 50 hrs of operation	Every 12 months or every 100 hrs of operation
Spark plug	Check and adjust				√*		
	Replace						√
Fuel filter	Clean					√*	
	Replace						√
Carburetor	Idle check			√			
	Service						√**
Bevel gear grease	Check and fill				√		
Fuel tube	Check						√**
Cooling inlets	Check and clean	√	√	√			
Cutting equipment	Check	√	√	√			
Cutting guard	Check	√	√	√			
Harness	Check	√	√	√			
*These items should be replaced if needed.							
**These items should be maintained and repaired only by authorised dealer, that have the appropriate tools and the required mechanical proficiency.							

EXHAUST PORT AND SILENCER

Depending on the type of fuel and mixture ratio used and the operating conditions, the exhaust port and silencer may become blocked because of carbon deposits. If you notice a power loss when operating your unit, refer to a qualified service center to maintain your unit.

AIR FILTER

1. Unscrew the bolt from the air filter cover and remove the cover.
2. Make sure that the air filter is free from dirt and in a good condition.
3. If the air filter is dirty, remove and clean it.
4. Wash the foam element in a solution of household detergent and warm water, then rinse thoroughly, or wash in nonflammable or high flashpoint solvent.
5. Gently squeeze the oil filter. Allow the foam element to dry thoroughly.
6. Soak the foam element in clean engine oil and gently squeeze out any excess oil. The engine will smoke during initial startup if too much oil is left in the foam element.
7. Reinstall the air filter and follow the reverse procedure to put back again the air filter cover.

NOTE: If the engine frequently works under dusty or other severe circumstances, clean the air filter element every 10 hours. If necessary, change the air filter element every 25 hours.

NOTE: Accumulated dust in the air filter will reduce engine efficiency, resulting in loss of power and high fuel consumption.

SPARK PLUG

1. Remove the spark plug cable to access the spark plug.
2. Use an appropriate spark plug tool to carefully remove the spark plug.
3. Inspect the condition of the spark plug and its electrode.
4. It must be clean and not worn.
5. Check that the spark plug gap is between 0.6 and 0.7mm (Fig. 8). Replace the spark plug with a new one if needed.
6. Carefully thread the spark plug into the engine by hand.
7. Once threaded, use the appropriate spark plug tool to firmly tighten the spark plug.
8. Re-attach the spark plug wire.

WARNING: Never allow dirt or debris to enter the cylinder bore. Before removing the spark plug, thoroughly clean the spark plug and cylinder head area.

BEVEL GEAR

The bevel gear grease should be replenished with new lithium based grease every 30 to 40 hours of operation as shown in Fig. 9. Remove the bolt and washer. Feed the grease by simultaneously turning the shaft manually until grease emerges from the hole. Then refit the bolt and washer.

CLEANING

Use a small soft brush to clean the outside of the unit. Do not use strong detergents. Household cleaners that contain aromatic oils such as pine and lemon and solvents such as kerosene can damage plastic housing or handle. Wipe off any moisture with a soft cloth.

TRANSPORT

The engine should be turned off when the unit is moved between work areas.

WARNING: After the engine has stopped, the muffler is still hot. Do not touch.

Empty the fuel tank and secure the unit from moving before transporting in a vehicle.

If the blade is fitted, always use the blade guard. Always place the blade guard on the blade when the unit is not in use and remember to remove the blade guard before using the unit again.

STORAGE

WARNING: Never store the unit with fuel in the tank and always allow the unit to cool before storing.

WARNING: Store the unit only in dry and well ventilated areas.

In case the unit will be stored for an extended time, use the following storage procedure:

1. Drain all fuel from the fuel tank.

2. Start the engine and allow it to run until it stalls. This ensures that all the fuel has been drained from the carburetor.
3. Allow the engine to cool.
4. Remove the spark plug and put 30 ml of high quality motor oil or 2-stroke oil into the cylinder. Pull the starter rope slowly to distribute the oil.
5. Reinstall the spark plug.
6. Thoroughly clean the unit and inspect for any loose or damaged parts. Repair or replace damaged parts and tighten loose screws, nuts or bolts.

ENVIRONMENTAL PROTECTION

Recycle raw materials instead of disposing as waste. Machine, accessories and packaging should be sorted for environment friendly recycling. The plastic components are labeled for categorized recycling.

WARRANTY

This product is warranted in accordance with the legal / country specific regulations, effective from the date of purchase by the first user. Damage attributable to normal wear and tear, overload or improper handling will be excluded from the warranty. In case of a claim, please send the machine, completely assembled, to your dealer or the official service center.

FRANÇAIS

AVERTISSEMENTS GÉNÉRAUX DE SÉCURITÉ

Lisez et comprenez ce manuel de l'utilisateur avant d'utiliser cet appareil. Vous pouvez aider à prévenir les accidents en vous familiarisant avec les commandes de votre produit et en respectant les procédures d'utilisation et les panneaux de sécurité. N'exposez pas l'appareil à une humidité excessive, à la poussière, à la saleté ou aux vapeurs corrosives. N'essayez jamais de modifier le produit. Utilisez toujours votre bon sens pour éviter toutes les situations considérées au-delà de vos capacités. N'utilisez pas l'appareil si vous êtes fatigué ou sous l'influence de drogues, d'alcool ou de tout autre médicament. Tenez les enfants et les spectateurs éloignés pendant le fonctionnement (Fig. 6). Ne laissez jamais des enfants ou des personnes non familiarisées avec ces instructions utiliser la machine. Les lois locales peuvent restreindre l'âge minimum de l'opérateur. Gardez à l'esprit que l'opérateur ou l'utilisateur est responsable des accidents ou des événements imprévus survenant à d'autres personnes ou à leurs biens. Consultez votre revendeur agréé pour le démontage et l'entretien, non couverts dans ce manuel.

DANGERS LIÉS AU MONOXYDE DE CARBONE

Utilisez uniquement à l'extérieur. Ne faites jamais fonctionner le moteur à l'intérieur car il évacue du monoxyde de carbone toxique, un gaz inodore et incolore. L'inhalation de monoxyde de carbone provoquera des nausées, des évanouissements ou la mort.

RISQUES D'INCENDIE ET DE BRÛLURE

Ne pas utiliser dans des zones à haut risque d'incendie. Le système d'échappement devient suffisamment chaud pour enflammer des matériaux inflammables.

Certaines parties de l'appareil deviennent très chaudes pendant le fonctionnement et vous devez faire attention à ne pas les toucher afin d'éviter de vous brûler. Laissez-le refroidir avant de le ranger.

Ne fumez jamais à proximité de l'appareil. Les sources potentielles d'incendie ou d'étincelles doivent être tenues à l'écart. Faites attention aux risques d'incendie lors du ravitaillement de l'unité. En cas d'incendie, utilisez un extincteur approprié spécialement conçu pour les incendies d'huile et d'essence.

RISQUES LIÉS AU CARBURANT ET À L'HUILE

L'essence et l'huile sont toxiques et inflammables. Suivez les instructions fournies par chaque fabricant avant utilisation.

Assurez-vous qu'il y a une certaine distance entre tout réservoir d'essence de rechange et l'unité, pour éviter tout danger inutile. Faire le plein uniquement à l'extérieur dans un endroit bien ventilé avec le moteur éteint. Ne faites pas le plein pendant le fonctionnement. Ne remplissez pas

trop le réservoir de carburant. Ne fumez jamais à proximité d'essence. Éloignez les sources d'inflammation et d'étincelles. Stockez toujours l'essence dans des contenants approuvés. Assurez-vous que tout le carburant et l'huile répandus ont été essuyés avant de démarrer le moteur.

Ouvrez lentement le réservoir de carburant pour permettre à la pression à l'intérieur de diminuer progressivement.

ÉQUIPEMENT PROTECTEUR

Portez toujours un équipement de protection approprié et certifié lors de l'utilisation de l'unité. Portez toujours des vêtements adéquats qui n'entravent pas les mouvements lors de l'utilisation de la machine. Portez toujours des vêtements de protection ajustés, un casque, des gants anti-vibrations, des lunettes de protection, un demi-masque respiratoire, un équipement de protection acoustique et des bottes de sécurité anti-cisaillage à semelles antidérapantes. Ne portez jamais de foulards, chemises, colliers ou tout autre accessoire suspendu ou battant qui pourrait se coincer dans la machine. Attachez vos cheveux s'ils sont longs. Un masque respiratoire doit être utilisé en cas de risque de poussière.

AVERTISSEMENTS DE SÉCURITÉ DE CATÉGORIE

FONCTIONNEMENT SÛR

La gâchette d'accélérateur doit bouger librement, elle ne doit pas être forcée et doit revenir automatiquement et rapidement à la position neutre.

Le bouton de l'interrupteur d'arrêt du moteur doit se déplacer facilement d'une position à l'autre.

Les câbles électriques et en particulier le câble de la bougie doivent être en parfait état pour éviter la génération d'étincelles et le capuchon doit être correctement monté sur la bougie.

Les poignées et les dispositifs de protection de la machine doivent être propres et secs et bien fixés à la machine.

Ne montez pas d'équipement ou d'accessoires sur la machine non prévus ou approuvés par le fabricant. Les modifications et / ou accessoires non autorisés peuvent entraîner des blessures graves ou la mort de l'opérateur ou d'autres personnes. Il est recommandé de couvrir les jambes et les pieds pour éviter les débris volants pendant le fonctionnement.

Utilisez toujours les poignées et les bretelles appropriées lors de l'utilisation.

Assurez-vous d'arrêter le moteur:

- Lors du montage ou du retrait d'accessoires.
- Chaque fois que vous laissez la machine sans surveillance ou lorsque vous avez l'intention de la poser au sol.
- Pendant le ravitaillement.
- Lors du déplacement entre les zones de travail.

AVERTISSEMENT: les pièces en rotation peuvent causer des blessures graves, évitez tout contact avec les pièces en rotation lorsqu'elles sont encore en ro-

tation. Au cas où un corps étranger serait coincé sur la machine, éteignez le moteur, inspectez la machine pour déceler tout dommage et effectuez les réparations avant de la redémarrer.

AVERTISSEMENT: ne touchez jamais la tête de coupe lorsque le moteur tourne.

AVERTISSEMENT: Si quelque chose casse ou si un accident se produit pendant le travail, coupez immédiatement le moteur et éloignez la machine pour éviter tout dommage supplémentaire.

Les niveaux de bruit et de vibration indiqués dans ces instructions sont les niveaux maximums d'utilisation de la machine. Un entretien insuffisant a un impact significatif sur les vibrations et les émissions sonores. Par conséquent, il est nécessaire de prendre des mesures préventives pour éliminer les dommages éventuels dus aux niveaux élevés de bruit et de stress dû aux vibrations. Entretenez bien la machine, portez des protections auditives et faites des pauses pendant le travail. Faire fonctionner la machine à une vitesse stable et saisir fermement la poignée avec une force appropriée peut réduire le niveau de vibration. Un faible régime moteur signifie un faible niveau de bruit, alors faites fonctionner la machine au régime moteur le plus bas nécessaire pour accomplir la tâche. Pendant une journée de travail, vous devez prendre des pauses fréquentes et adéquates pour éviter les dommages dus aux vibrations et aux oreilles. Une exposition prolongée aux vibrations peut provoquer des blessures et des troubles neurovasculaires (également appelés «syndrome de Raynaud» ou «main blanche»), en particulier chez les personnes souffrant de troubles de la circulation. Les symptômes peuvent concerner les mains, les poignets et les doigts et se manifestent par une perte de sensibilité, une torpeur, des démangeaisons, des douleurs et une décoloration ou des changements structurels de la peau. Ces effets peuvent être aggravés par de basses températures ambiantes et / ou en serrant excessivement les poignées. Si les symptômes apparaissent, la durée d'utilisation de la machine doit être réduite et un médecin doit être consulté.

DANGERS DE LA ZONE DE TRAVAIL

Inspectez soigneusement toute la zone de travail et utilisez un râteau ou une brosse de jardin pour décoller manuellement les débris et enlever tout ce qui pourrait être projeté par la machine et devenir une source dangereuse (pierres, branches, fil de fer, os, etc.) ou pourrait être emmêlé dans le tête de coupe. Vérifiez qu'il n'y a pas de spectateurs ou d'animaux domestiques à moins de 15 mètres du rayon d'action de la machine (Fig. 6).

Ne dirigez pas le silencieux et donc les gaz d'échappement vers des matériaux inflammables. Vérifiez toujours s'il y a des objets susceptibles de bloquer l'écran d'admission d'air avant de commencer à travailler. Une prise d'air obstruée réduit les performances de la machine et augmente la température de fonctionnement du moteur, ce qui peut entraîner une panne du

moteur. Ne faites pas fonctionner le moteur dans un espace confiné où des vapeurs de monoxyde de carbone dangereuses peuvent se développer. N'utilisez pas la machine à proximité de fenêtres ouvertes.

Travaillez uniquement à la lumière du jour ou avec une bonne lumière artificielle dans de bonnes conditions de visibilité. Essayez de ne causer aucune perturbation. Utilisez cette machine uniquement à des heures raisonnables de la journée (pas tôt le matin ou tard le soir lorsque le bruit pourrait causer des perturbations).

Lorsque vous travaillez dans des sols secs et poussiéreux, il est recommandé d'humidifier légèrement la surface et / ou d'utiliser un masque anti-poussière approprié.

Adoptez une position ferme et équilibrée. Dans la mesure du possible, évitez de travailler sur un sol mouillé, glissant ou dans tous les cas sur un sol accidenté ou raide qui ne garantit pas la stabilité de l'opérateur.

SPÉCIFICATIONS DU PRODUIT

UTILISATION PRÉVUE

Cette machine a été conçue et fabriquée pour couper l'herbe et la croissance, par ex. dans les pelouses, les sentiers, les parkings et les routes. Toute autre utilisation différente de celles mentionnées ci-dessus peut être dangereuse, blesser des personnes et / ou endommager les choses et la machine.

UTILISATION INCORRECTE

La machine ne doit pas être utilisée pour couper des matières dangereuses, par ex. accumulation de produits inflammables ou explosifs, de cigarettes allumées, de morceaux de verre, d'objets tranchants, d'objets métalliques, de pierres et de tout autre objet pouvant être dangereux pour l'opérateur et les autres.

Les exemples d'utilisation inappropriée peuvent inclure, mais sans s'y limiter:

- Orienter la tête de coupe vers des personnes et / ou des animaux;
- Utilisation de la machine sans les accessoires spécifiquement fournis par le fabricant pour des utilisations spécifiques, ou utilisation d'accessoires d'une manière non prévue dans ces instructions;
- Utilisation de la machine par plusieurs personnes.

DONNÉES TECHNIQUES

Numéro de l'article		45 561	47 591
Modèle		GBC 252C PLUS	GBC 254C PLUS
Cylindrée	cc	52	54
Ralenti	rpm	3.100 ±400	3.100 ±400
Puissance maximale du moteur	kW / hp	1,4 / 1,9	1,8 / 2,4

DONNÉES TECHNIQUES

Numéro de l'article		45 561	47 591
Modèle		GBC 252C PLUS	GBC 254C PLUS
Régime moteur maximal	rpm	9.000	9.000
Vitesse de l'arbre de sortie	rpm	8.250	8.250
Bougie d'allumage		NGK BPMR7A	NGK BPMR7A
Écart d'électrode	mm	0,6-0,7	0,6-0,7
Capacité du réservoir de carburant	L	1,2	1,2
Poids sans carburant, accessoire de coupe et garde	kg	7,8	7,8
Émissions sonores			
Niveau de puissance acoustique, mesuré	dB (A)	98,7	98,7
Incertitude	dB (A)	3	3
Niveau de puissance sonore, garanti	dB (A)	114	114
Niveaux de vibration équivalents			
Niveau de vibration mesuré au niveau de la poignée	m/s ²	8,03	8,03
Incertitude	m/s ²	1,5	1,5
Accessoires			
Tête de coupe		Tap & Go	Tap & Go
Fil de coupe Φ	mm	2,4	2,4
Lame de brosse	mm	255	255

IDENTIFICATION

1. Carter d'engrenage conique
2. Coupe-tête en nylon
3. Bouclier de débris
4. Commande d'accélérateur
5. Point d'accrochage du harnais
6. Embrayage
7. Moteur
8. Bouton de réglage de la poignée
9. Poignée type vélo
10. Arbre de transmission
11. Début de recul
12. Bouchon de réservoir de carburant
13. Réservoir d'essence
14. Étouffer
15. Purificateur d'air

OPÉRATION

PRÉOPÉRATION

Le déballage et l'achèvement de l'assemblage doivent être effectués sur une surface plane et stable, avec suffisamment d'espace pour déplacer la machine et son emballage, en utilisant toujours un équipement approprié.

Installez la poignée dans le support en positionnant la poignée dans une position confortable et en serrant les quatre boulons. Installez le pare-débris sur l'arbre avec le support et les boulons fournis. Serrez les boulons après avoir positionné le support du couvercle de sécurité à la position appropriée.

INSTALLATION DE LA LAME

Pour installer la lame de coupe (Fig.3):

1. Insérez la clé hexagonale (2) dans le trou spécifique de la transmission d'angle (1) et faites tourner la lame (4) à la main jusqu'à ce que la clé hexagonale pénètre dans le trou intérieur, bloquant la rotation.
2. Dévissez l'écrou (7) dans le sens des aiguilles d'une montre et retirez le couvercle (6).
3. Retirez la bague extérieure (5) et retirez la lame (4).
4. Assurez-vous que les rainures de la bague intérieure (3) correspondent parfaitement à la transmission d'angle (1).
5. Montez la lame (4) et la bague extérieure - écrou (5).
6. Reposer le couvercle (6) et l'écrou (7) en les serrant à fond dans le sens antihoraire.
7. Retirez la clé hexagonale (2).

AVERTISSEMENT: Portez des gants de protection lors de l'installation de la lame pour éviter de vous blesser.

AVERTISSEMENT: Des vibrations excessives de la lame peuvent signifier un montage incorrect de celle-ci et peuvent provoquer une panne de la machine et / ou des blessures. Arrêtez immédiatement le moteur et vérifiez l'installation de la lame.

INSTALLATION DE LA TÊTE EN NYLON

Pour installer la tête en nylon (Fig.4):

1. Insérez la clé hexagonale (2) dans le trou spécifique de la transmission d'angle (1) et faites tourner la tête de coupe (4) à la main jusqu'à ce que la clé hexagonale pénètre dans le trou intérieur, bloquant la rotation.
2. Dévissez la tête du fil de coupe (4) dans le sens des aiguilles d'une montre et retirez-la.
3. Retirez la bague extérieure (5).
4. Assurez-vous que les rainures de la bague intérieure (3) correspondent parfaitement à la transmission d'angle (1).
5. Montez la bague extérieure (5).
6. Montez la tête du fil de coupe (4) en la vissant dans le sens inverse des aiguilles d'une montre.

REMARQUE: Pour remplacer la ligne de tête en nylon, reportez-vous à la Fig.5.

AVERTISSEMENT: utilisez uniquement une ligne monofilament en nylon de qualité d'un diamètre de

2,5 mm. N'utilisez jamais de fil ou de fil renforcé de fil à la place du fil de coupe en nylon. Chargez votre tête de coupe en nylon uniquement avec une ligne de coupe en nylon du diamètre approprié.

UTILISATION DU HARNAIS D'ÉPAULE

Pour utiliser le baudrier:

1. Assemblez et ajustez le harnais d'épaule et la ceinture, comme illustré à la Fig. 6.
2. Accrochez la languette de verrouillage au crochet du harnais.
3. Si le coupe-bordures ne s'équilibre pas, ajustez le support du harnais et le guidon jusqu'à ce que le coupe-herbe s'équilibre.

AVERTISSEMENT: le crochet est situé à votre hanche droite et le loquet à dégagement rapide est situé à l'extérieur. Apprenez à décrocher rapidement l'unité du harnais avant de faire fonctionner l'unité, en tirant la languette de verrouillage rapide vers le haut.

AVERTISSEMENT: Gardez une prise ferme avec les deux mains lors de l'utilisation en tenant l'appareil avec la main droite sur la poignée de déclenchement et la main gauche sur la poignée gauche.

Avant de commencer le travail, veuillez:

1. Vérifiez que tous les boulons, écrous et raccords de la machine sont bien serrés.
2. Vérifiez que le filtre à air est propre et propre ou remplacez-le par un nouveau si nécessaire.
3. Préparez les accessoires et assurez-vous qu'ils sont correctement montés.
4. Vérifiez que le protecteur est bien en place.
5. Faites le plein de carburant comme indiqué ci-dessous et assurez-vous qu'il n'y a pas de fuite de carburant.
6. Vérifiez que la tête ou la lame en nylon n'est pas endommagée.

CARBURANT ET LUBRIFICATION

AVERTISSEMENT: ne fumez jamais pendant le plein et évitez d'inhaler les vapeurs d'essence.

L'unité est équipée d'un moteur 2 temps. Par conséquent, un mélange d'essence sans plomb (de 89 octane ou plus) et d'huile 2 temps doit toujours être utilisé. N'utilisez que de l'essence qui ne contient ni éthanol ni méthanol. Il est très important de faire attention au mélange de carburant que vous utilisez, car un mélange précis d'huile et de carburant doit être obtenu. De petites quantités de mélange d'huile et de carburant avec de petites imprécisions peuvent affecter le rapport de mélange, ce qui peut entraîner une surchauffe du moteur et de graves dommages au moteur. Il est recommandé de ne mélanger que la quantité nécessaire pour le travail que vous vous apprêtez à faire, afin de ne conserver que le mélange frais.

AVERTISSEMENT: ouvrez soigneusement le haut du réservoir car une pression pourrait s'être formée à l'intérieur.

Une huile 2 temps spécialement formulée pour les moteurs 2 temps refroidis par air doit être utilisée. N'utilisez pas d'huile 2 temps destinée aux moteurs refroidis par eau. N'utilisez jamais d'huile de mauvaise qualité ou d'huile moteur 4 temps

Pour de meilleurs résultats et performances, le rapport de mélange essence / huile est de 30:1. Utilisez toujours un récipient propre pour le carburant avant de mélanger le carburant. Mélangez et secouez soigneusement le mélange de carburant avant de remplir le réservoir de carburant de la machine. N'utilisez pas de mélange de carburant stocké pendant plus d'un mois. Le réservoir de carburant de la machine doit être vidé avant le stockage.

Utilisez toujours un entonnoir pour faire le plein de la machine.

Ne pas trop remplir. Laisser un espace minimum de 5 mm entre le haut du mélange mazout et le bord intérieur du réservoir pour permettre l'expansion. Il est recommandé de remplir le réservoir de carburant jusqu'aux $\frac{3}{4}$ de son plein potentiel.

AVERTISSEMENT: fermez toujours fermement le bouchon du réservoir de carburant.

DÉMARRAGE DE L'UNITÉ

1. Mettez le contacteur d'allumage en position "START".
2. Appuyez doucement sur la pompe d'amorçage à plusieurs reprises (7 à 10 fois) jusqu'à ce que du carburant entre dans la pompe d'amorçage.
3. En cas de démarrage à froid: Tirez le levier du starter vers le haut pour fermer le starter.
4. Déplacez la gâchette d'accélérateur et maintenez-la en position avec le verrou d'accélérateur (si présent).
5. Tirez sur le démarreur à rappel jusqu'à ce que le moteur démarre. Si le démarreur à rappel est tiré à plusieurs reprises avec le starter activé, cela peut inonder le moteur et rendre le démarrage difficile. Si vous avez noyé le moteur, retirez la bougie d'allumage et tirez doucement sur la poignée du câble de démarrage pour éliminer tout excès de carburant. Repositionnez ensuite une étincelle sèche et réessayez.

AVERTISSEMENT: pour éviter de casser le câble du démarreur, ne le tirez pas sur toute sa longueur et ne le laissez pas glisser le long du bord du trou du guide-câble. Relâchez le démarreur progressivement, pour éviter de le laisser revenir de manière incontrôlable.

6. Lorsque le moteur démarre et qu'il tourne au ralenti, ramenez le levier du starter pour ouvrir le starter.
7. Désengagez le verrouillage de l'accélérateur (si présent) en appuyant brièvement sur la gâchette d'accélérateur.
8. Laissez le moteur se réchauffer pendant quelques minutes avant de l'utiliser.

REMARQUE: Lorsque le moteur est chaud, le starter doit rester en position «RUN» en tout temps.

UTILISATION DE L'UNITÉ

La tête de coupe tourne dans le sens inverse des aiguilles d'une montre. Le couteau à tronçonner pour le fil de coupe est situé sur le côté droit du pare-débris.

Pour presque toutes les coupes de ligne de tête, il est recommandé d'incliner la ligne de tête de manière à

ce que le contact se fasse sur la partie du cercle de ligne qui s'éloigne de vous et du pare-débris. Cela entraînera le détournement de tous les débris loin de vous. Si vous coupez jusqu'à une barrière telle qu'une clôture, un mur ou un arbre, approchez-vous d'un angle tel que pour ricocher les débris volants loin de vous.

AVERTISSEMENT: ne coupez pas là où vous ne pouvez pas voir ce que l'outil de coupe coupe.

La lame est utilisée pour couper la croissance jusqu'à $\frac{3}{4}$ " de diamètre.

AVERTISSEMENT: N'utilisez pas la débroussailleuse pour couper des arbres dont le diamètre dépasse $\frac{1}{2}$ " à $\frac{3}{4}$ ".

AVERTISSEMENT: Soyez toujours conscient de la poussée de la lame. La poussée de la lame est la réaction qui peut se produire lorsque la lame en rotation touche tout ce qui ne peut pas couper; provoquant l'arrêt instantané de la lame et provoquant une force qui pourrait éloigner la débroussailleuse de l'obstacle touché.

ARRÊT DE L'UNITÉ

1. Relâchez votre main de la commande des gaz. Laissez le moteur refroidir en tournant au ralenti pendant 2-3 minutes.
2. Si votre appareil est équipé d'un interrupteur marche / arrêt à ressort, appuyez et maintenez le bouton en position «O» jusqu'à ce que le moteur s'arrête. Sinon, poussez l'interrupteur en position «Off».

MAINTENANCE ET NETTOYAGE

AVERTISSEMENT: N'effectuez jamais de maintenance ou de nettoyage lorsque l'appareil est en marche. Travaillez toujours sur une unité froide.

AVERTISSEMENT: avant de nettoyer ou d'effectuer des travaux d'entretien, débranchez le capuchon de la bougie et lisez les instructions correspondantes. Portez des vêtements et des gants de protection appropriés chaque fois que vos mains sont en danger.

Tous les réglages ou opérations de maintenance non décrits dans ce manuel doivent être effectués par votre revendeur ou un centre de service spécialisé disposant des connaissances et de l'équipement nécessaires pour garantir que le travail est effectué correctement en maintenant le niveau de sécurité d'origine de la machine. Toute opération effectuée dans des centres non autorisés ou par des personnes non qualifiées invalidera totalement la garantie et toutes les obligations et responsabilités du fabricant.

Gardez tous les écrous et vis bien serrés pour vous assurer que la machine est toujours en bon état de fonctionnement. La maintenance de routine est essentielle pour la sécurité et pour maintenir un niveau de performance élevé.

AVERTISSEMENT: N'utilisez jamais la machine avec des pièces usées ou endommagées. Les pièces défectueuses ou usées doivent toujours être remplacées et non réparées. N'utilisez que des pièces de rechange d'origine.

Articles		La fréquence						
		Avant chaque utilisation	Lors de chaque arrêt de ravitaillement	Après chaque utilisation	Chaque semaine ou toutes les 10 heures de fonctionnement	Tous les mois ou toutes les 50 heures de fonctionnement	Toutes les 12 mois ou toutes les 100 heures de fonctionnement	
Unité complète	Inspection visuelle							
	Nettoyer							
Poignées de contrôle	Vérifier							
Filtre à air	Vérifier et nettoyer							
	Remplacer							
Bougie d'allumage	Vérifiez et ajustez							
	Remplacer							
Filtre à carburant	Nettoyer							
	Remplacer							
Carburateur	Vérification au ralenti			√				
	Un service							√**
Graisse pour engrenages coniques	Vérifier et remplir				√			
Tube de carburant	Vérifier							√**
Entrées de refroidissement	Vérifier et nettoyer	√	√	√				
Matériel de coupe	Vérifier	√	√	√				
Garde de coupe	Vérifier	√	√	√				
Harnais	Vérifier	√	√	√				
* Ces éléments doivent être remplacés si nécessaire.								
** Ces éléments doivent être entretenus et réparés uniquement par un revendeur agréé, qui dispose des outils appropriés et des compétences mécaniques requises.								

PORT D'ÉCHAPPEMENT ET SILENCIEUX

En fonction du type de carburant et du rapport de mélange utilisé et des conditions de fonctionnement, l'orifice d'échappement et le silencieux peuvent se bloquer à cause des dépôts de carbone. Si vous remarquez une coupure de courant lors de l'utilisation de votre appareil, consultez un centre de service qualifié pour assurer la maintenance de votre appareil.

FILTRE À AIR

- Dévissez le boulon du couvercle du filtre à air et retirez le couvercle.
- Assurez-vous que le filtre à air est exempt de saleté et en bon état.
- Si le filtre à air est sale, retirez-le et nettoyez-le.
- Lavez l'élément en mousse dans une solution de détergent ménager et d'eau tiède, puis rincez abondamment ou lavez dans un solvant ininflammable ou à point d'éclair élevé.
- Pressez doucement le filtre à huile. Laissez l'élément en mousse sécher complètement.
- Trempez l'élément en mousse dans de l'huile moteur propre et essorez doucement tout excès d'huile. Le moteur fumera lors du démarrage initial s'il reste trop d'huile dans l'élément en mousse.
- Réinstallez le filtre à air et suivez la procédure inverse pour remettre le couvercle du filtre à air.

REMARQUE: Si le moteur fonctionne fréquemment dans des conditions poussiéreuses ou dans d'autres circonstances graves, nettoyez l'élément du filtre à air toutes les 10 heures. Si nécessaire, changez l'élément du filtre à air toutes les 25 heures.

REMARQUE: L'accumulation de poussière dans le filtre à air réduira l'efficacité du moteur, entraînant une perte de puissance et une consommation de carburant élevée.

BOUGIE D'ALLUMAGE

- Retirez le câble de la bougie pour accéder à la bougie.
- Utilisez un outil de bougie approprié pour retirer soigneusement la bougie.
- Inspectez l'état de la bougie d'allumage et de son électrode.
- Il doit être propre et non usé.
- Vérifiez que l'écartement des bougies est compris entre 0,6 et 0,7 mm (Fig. 8). Remplacez la bougie d'allumage par une neuve si nécessaire.
- Enfilez soigneusement la bougie d'allumage dans le moteur à la main.
- Une fois le filetage terminé, utilisez l'outil de bougie approprié pour serrer fermement la bougie.
- Rebranchez le fil de la bougie.

AVERTISSEMENT: ne laissez jamais la saleté ou les débris pénétrer dans l'alésage du cylindre. Avant de retirer la bougie, nettoyez soigneusement la bougie et la culasse.

ENGRENAGE CONIQUE

La graisse pour pignon conique doit être remplie avec une nouvelle graisse à base de lithium toutes les 30 à 40 heures de fonctionnement, comme illustré à la Fig. 9. Retirez le boulon et la rondelle. Alimenter la graisse en tournant simultanément l'arbre manuellement jusqu'à ce que la graisse sorte du trou. Reposez ensuite le boulon et la rondelle.

NETTOYAGE

Utilisez une petite brosse douce pour nettoyer l'extérieur de l'unité. N'utilisez pas de détergents puissants. Les nettoyeurs ménagers contenant des huiles aromatiques telles que le pin et le citron et des solvants tels que le kérosène peuvent endommager le boîtier ou la poignée en plastique. Essayez toute trace d'humidité avec un chiffon doux.

TRANSPORT

Le moteur doit être arrêté lorsque l'unité est déplacée entre les zones de travail.

AVERTISSEMENT: après l'arrêt du moteur, le silencieux est encore chaud. Ne pas toucher.

Videz le réservoir de carburant et empêchez l'unité de bouger avant de la transporter dans un véhicule.

Si la lame est installée, utilisez toujours le protège-lame. Placez toujours le protège-lame sur la lame lorsque l'unité n'est pas utilisée et n'oubliez pas de retirer le protège-lame avant de réutiliser l'unité.

ESPACE DE RANGEMENT

AVERTISSEMENT: Ne stockez jamais l'unité avec du carburant dans le réservoir et laissez toujours l'unité refroidir avant de la ranger.

AVERTISSEMENT: ne stockez l'appareil que dans des zones sèches et bien ventilées.

Au cas où l'appareil serait stocké pendant une période prolongée, utilisez la procédure de stockage suivante:

1. Vidangez tout le carburant du réservoir de carburant.
2. Démarrez le moteur et laissez-le tourner jusqu'à ce qu'il cale. Cela garantit que tout le carburant a été vidangé du carburateur.
3. Laisser refroidir le moteur.
4. Retirez la bougie d'allumage et versez 30 ml d'huile moteur de haute qualité ou d'huile 2 temps dans le cylindre. Tirez lentement sur la corde de démarrage pour distribuer l'huile.
5. Réinstallez la bougie d'allumage.
6. Nettoyez soigneusement l'unité et inspectez les pièces détachées ou endommagées. Réparez ou remplacez les pièces endommagées et resserrez les vis, écrous ou boulons desserrés.

PROTECTION ENVIRONNEMENTALE

Recyclez les matières premières au lieu de les éliminer en tant que déchets. La machine, les accessoires et l'emballage doivent être triés pour un recyclage respectueux de l'environnement. Les composants en plastique sont étiquetés pour le recyclage par catégorie.

GARANTIE

Ce produit est garanti conformément aux réglementations légales / nationales, en vigueur à compter de la date d'achat par le premier utilisateur. Les dommages attribuables à l'usure normale, à la surcharge ou à une mauvaise manipulation seront exclus de la garantie. En cas de réclamation, veuillez envoyer la machine, complètement assemblée, à votre revendeur ou au centre de service officiel.

ITALIANO

AVVERTENZE GENERALI DI SICUREZZA

Leggere e comprendere il manuale del proprietario prima di utilizzare questa unità. Puoi aiutare a prevenire gli incidenti acquisendo familiarità con i controlli del tuo prodotto e osservando procedure operative sicure e segnali di sicurezza. Non esporre l'unità a umidità eccessiva, polvere, sporcizia o vapori corrosivi. Non tentare mai di modificare il prodotto. Usa sempre il tuo buon senso per evitare tutte le situazioni considerate oltre le tue capacità. Non utilizzare l'unità quando si è stanchi o sotto l'effetto di droghe, alcol o altri farmaci. Tenere lontani bambini e astanti durante il funzionamento (Fig.6). Non consentire mai a bambini o persone che non hanno familiarità con queste istruzioni di utilizzare la macchina. Le leggi locali possono limitare l'età minima dell'operatore. Tenere presente che l'operatore o l'utente è responsabile di incidenti o eventi imprevisti che si verificano ad altre persone o alla loro proprietà. Consultare il proprio rivenditore autorizzato per lo smontaggio e la manutenzione, non trattati in questo manuale.

PERICOLI DI MONOSSIDO DI CARBONIO

Operare solo all'aperto. Non far funzionare mai il motore al chiuso poiché scarica monossido di carbonio velenoso, un gas inodore e incolore. L'inhalazione di monossido di carbonio provoca nausea, svenimenti o morte.

RISCHI DI INCENDIO E USTIONI

Non utilizzare in aree ad alto rischio di incendio. Il sistema di scarico si surriscalda abbastanza da incendiare materiali infiammabili.

Alcune parti dell'unità diventano molto calde durante il funzionamento e prestare attenzione a non toccarle per evitare scottature. Lascialo raffreddare prima di riparlo.

Non fumare mai vicino all'unità. Tenere lontane potenziali fonti di fuoco o scintille. Prestare attenzione ai rischi di incendio durante il rifornimento dell'unità. In caso di incendio, utilizzare un estintore appropriato appositamente progettato per incendi di petrolio e benzina.

PERICOLI DA CARBURANTE E OLIO

La benzina e l'olio sono tossici e infiammabili. Seguire le istruzioni fornite da ciascun produttore prima dell'uso.

Assicurarsi che ci sia una certa distanza tra l'eventuale serbatoio di benzina di scorta e l'unità, per evitare pericoli inutili. Effettuare il rifornimento solo all'aperto in un'area ben ventilata con il motore spento. Non fare rifornimento durante il funzionamento. Non riempire eccessivamente il serbatoio del carburante. Non fumare mai vicino alla benzina. Tenere lontane le fonti di fuoco e le scintille. Conservare sempre la benzina in contenitori approvati. Assicurarsi che tutto il carburante e l'olio versati siano stati rimossi prima di avviare il motore.

Aprire lentamente il serbatoio del carburante per consentire alla pressione interna di diminuire gradualmente.

EQUIPAGGIAMENTO DI PROTEZIONE

Indossare sempre dispositivi di protezione adeguati e certificati durante il funzionamento dell'unità.

Indossare sempre indumenti adeguati che non ostacolino i movimenti durante l'utilizzo della macchina. Indossare sempre indumenti protettivi aderenti, casco, guanti antivibranti, occhiali protettivi, respiratore a semimaschera, equipaggiamento di protezione acustica e stivali di sicurezza anti-taglio con suola antiscivolo. Non indossare mai scarpe, camicie, collane o altri accessori appesi o svolazzanti che potrebbero impigliarsi nella macchina. Lega i capelli se sono lunghi. In caso di rischio di polvere, deve essere utilizzata una maschera respiratoria.

CATEGORIA AVVERTENZE DI SICUREZZA

FUNZIONAMENTO SICURO

Il grilletto dell'acceleratore deve muoversi liberamente, non deve essere forzato e deve tornare automaticamente e rapidamente in posizione neutra. La manopola dell'interruttore di arresto motore deve spostarsi facilmente da una posizione all'altra. I cavi elettrici ed in particolare il cavo della candela devono essere in perfette condizioni per evitare la generazione di scintille, e la pipetta deve essere correttamente montata sulla candela.

Le impugnature della macchina e le protezioni devono essere pulite, asciutte e ben fissate alla macchina.

Non montare apparecchiature o accessori sulla macchina non previsti o approvati dal costruttore. Modifiche e / o accessori non autorizzati possono provocare gravi lesioni personali o la morte dell'operatore o di altri.

Si consiglia di coprire gambe e piedi per proteggersi dai detriti volanti durante il funzionamento.

Utilizzare sempre maniglie e spillacci adeguati durante il funzionamento.

Assicurati di spegnere il motore:

- Durante il montaggio o la rimozione di accessori.
- Ogni volta che si lascia la macchina incustodita o ogni volta che si intende appoggiarla a terra.
- Durante il rifornimento.
- Quando ci si sposta tra le aree di lavoro.

ATTENZIONE: Le parti rotanti possono causare gravi lesioni, evitare di entrare in contatto con le parti rotanti quando sono ancora in rotazione. Nel caso in cui un corpo estraneo sia rimasto bloccato sulla macchina, spegnere il motore, ispezionare la macchina per eventuali danni ed eseguire le riparazioni prima di riavviarla.

AVVERTENZA: non toccare mai la testa di taglio quando il motore è in funzione.

ATTENZIONE: se qualcosa si rompe o si verifica un incidente durante il lavoro, spegnere immediatamente il motore e allontanare la macchina per evitare ulteriori danni.

I livelli di rumorosità e vibrazione indicati in queste istruzioni sono i livelli massimi per l'utilizzo della macchina. Una manutenzione insufficiente ha un impatto significativo sulle vibrazioni e sulle emissioni sonore. Di conseguenza, è necessario adottare misure preventive per eliminare possibili danni dovuti a livelli elevati di rumore e stress da vibrazioni. Mantenere la macchina in buone condizioni, indossare dispositivi di protezione per le orecchie e fare delle pause durante il lavoro. Far funzionare la macchina con una velocità stabile e afferrare saldamente la maniglia con una forza adeguata può ridurre il livello di vibrazioni. Un regime motore basso significa un livello di rumorosità ridotto, quindi azionare la macchina al regime motore più basso necessario per eseguire l'operazione. Durante una giornata lavorativa, è necessario fare pause frequenti e adeguate per evitare danni da vibrazioni e danni alle orecchie. L'esposizione prolungata alle vibrazioni può causare lesioni e disturbi neurovascolari (chiamati anche "sindrome di Raynaud" o "mano bianca"), soprattutto a persone che soffrono di disturbi della circolazione. I sintomi possono riguardare le mani, i polsi e le dita e si manifestano attraverso perdita di sensibilità, torpore, prurito, dolore e scolorimento o alterazioni strutturali della pelle. Questi effetti possono essere aggravati da basse temperature ambiente e / o stringendo eccessivamente le impugnature. Se si manifestano i sintomi, ridurre il tempo di utilizzo della macchina e consultare un medico.

PERICOLI SULL'AREA DI LAVORO

Ispezionare accuratamente l'intera area di lavoro e utilizzare un rastrello o una spazzola da giardino per rimuovere manualmente i detriti e rimuovere tutto ciò che potrebbe essere proiettato dalla macchina e diventare una fonte pericolosa (pietre, rami, filo di ferro, ossa ecc.). O potrebbe essere impigliato testa di taglio. Verificare che non vi siano astanti o animali domestici nel raggio di almeno 15 metri dal raggio di azione della macchina (Fig. 6).

Non dirigere il silenziatore e quindi i fumi di scarico verso materiali infiammabili.

Verificare sempre la presenza di oggetti che potrebbero bloccare lo schermo della presa d'aria prima di iniziare a lavorare. Una presa d'aria ostruita riduce le prestazioni della macchina e aumenta la temperatura di lavoro del motore, il che può provocare un guasto del motore. Non azionare il motore in uno spazio ristretto dove possono svilupparsi pericolosi fumi di monossido di carbonio. Non azionare la macchina vicino a finestre aperte.

Lavorare solo alla luce del giorno o con una buona luce artificiale in condizioni di buona visibilità. Cerca di non causare alcun disturbo. Utilizzare questa macchina solo in orari ragionevoli della giornata (non la mattina presto o la sera tardi quando il rumore potrebbe causare disturbi).

Quando si lavora in condizioni di terreno polveroso asciutto, si consiglia di inumidire leggermente la superficie e / o utilizzare una maschera antipolvere appropriata.

Assumi una posizione ferma ed equilibrata. Evitare ove possibile di lavorare su terreno bagnato, sdruciolevole o comunque su terreno irregolare o scosceso che non garantisce stabilità all'operatore.

SPECIFICHE DEL PRODOTTO

USO PREVISTO

Questa macchina è stata progettata e prodotta per il taglio dell'erba e della crescita, ad es. in prati, sentieri, parcheggi e strade.

Ogni altro utilizzo diverso da quelli sopra indicati potrebbe essere pericoloso, nuocere a persone e /o danneggiare cose e la macchina.

USO IMPROPRIO

La macchina non deve essere utilizzata per il taglio di materiali pericolosi, ad es. accumulo di prodotti infiammabili o esplosivi, sigarette accese, pezzi di vetro, oggetti appuntiti, oggetti metallici, pietre e qualsiasi altro oggetto che possa essere pericoloso per l'operatore e altri.

Esempi di uso improprio possono includere, ma non sono limitati a:

- Puntare la testa di taglio verso persone e /o animali;
- Utilizzo della macchina senza gli accessori specificatamente forniti dal costruttore per usi specifici, o utilizzo di accessori in un modo non previsto nelle presenti istruzioni;
- Utilizzo della macchina da parte di più persone.

DATI TECNICI			
Numero dell'articolo		45 561	47 591
Modello		GBC 252C PLUS	GBC 254C PLUS
Cilindrata	cc	52	54
Minimo	rpm	3.100 ±400	3.100 ±400
Potenza massima del motore	kW / hp	1,4 / 1,9	1,8 / 2,4
Regime massimo del motore	rpm	9.000	9.000
Velocità dell'albero di uscita	rpm	8.250	8.250
Candela		NGK BPMR7A	NGK BPMR7A
Distanza tra gli elettrodi	mm	0,6-0,7	0,6-0,7
Capacità della tanica di benzina	L	1,2	1,2
Peso senza carburante, accessorio di taglio e protezione	kg	7,8	7,8

DATI TECNICI			
Numero dell'articolo		45 561	47 591
Modello		GBC 252C PLUS	GBC 254C PLUS
Emissioni acustiche			
Livello di potenza sonora, misurato	dB (A)	98,7	98,7
Incertezza	dB (A)	3	3
Livello di potenza sonora, garantito	dB (A)	114	114
Livelli di vibrazione equivalenti			
Livello di vibrazione misurato sull'impugnatura	m/s ²	8,03	8,03
Incertezza	m/s ²	1,5	1,5
Accessori			
Testina del decespugliatore		Tap & Go	Tap & Go
Linea di trimmer Φ	mm	2,4	2,4
Lama a spazzola	mm	255	255

IDENTIFICAZIONE

1. Scatola ingranaggi conici
2. Tagliatesta in nylon
3. Scudo detriti
4. Controllo dell'acceleratore
5. Punto di aggancio per imbracatura
6. Frizione
7. Motore
8. Manopola di regolazione della maniglia
9. Manico tipo bici
10. Albero di trasmissione
11. Inizio di rinvolo
12. Tappo serbatoio carburante
13. Serbatoio di carburante
14. Soffocamento
15. Filtro dell'aria

FUNZIONAMENTO

PREOPERAZIONE

Il disimballaggio e il completamento dell'assemblaggio devono essere effettuati su una superficie piana e stabile, con spazio sufficiente per lo spostamento della macchina e del suo imballaggio, utilizzando sempre attrezzature adeguate.

Installare la maniglia nella staffa posizionando la maniglia in una posizione comoda e serrando i quattro bulloni. Installare lo schermo anti-detriti sull'albero con la staffa e i bulloni forniti. Serrare i bulloni dopo aver posizionato la staffa del coperchio di sicurezza nella posizione appropriata.

INSTALLAZIONE DELLA LAMA

Per installare la lama di taglio (Fig.3):

1. Inserire la chiave esagonale (2) nell'apposito foro della trasmissione angolare (1) e ruotare

manualmente la lama (4) fino a quando la chiave esagonale non entra nel foro interno, bloccando la rotazione.

2. Svitare il dado (7) in senso orario e rimuovere il coperchio (6).
3. Sfilare la ghiera esterna (5) e rimuovere la lama (4).
4. Verificare che le scanalature della ghiera interna (3) combacino perfettamente con il rinvio angolare (1).
5. Montare la lama (4) e l'anello esterno (5).
6. Rimontare il coperchio (6) e il dado (7), serrandolo a fondo in senso antiorario.
7. Rimuovere la chiave esagonale (2).

AVVERTENZA: indossare guanti protettivi quando si monta la lama per evitare di ferirsi.

AVVERTENZA: una vibrazione eccessiva della lama potrebbe significare un montaggio non corretto e potrebbe causare guasti alla macchina e / o lesioni. Arrestare immediatamente il motore e controllare l'installazione della lama.

INSTALLAZIONE DELLA TESTA IN NYLON

Per installare la testa in nylon (Fig.4):

1. Inserire la chiave esagonale (2) nel foro specifico della trasmissione angolare (1) e ruotare manualmente la testa del filo di taglio (4) finché la chiave esagonale non entra nel foro interno, bloccando la rotazione.
2. Svitare la testa del filo di taglio (4) in senso orario e rimuoverla.
3. Estrarre la ghiera esterna (5).
4. Verificare che le scanalature della ghiera interna (3) combacino perfettamente con il rinvio angolare (1).
5. Montare la ghiera esterna (5).
6. Montare la testa del filo di taglio (4) avvitandola in senso antiorario.
7. Rimuovere la chiave esagonale (2).

NOTA: per sostituire la linea della testa in nylon fare riferimento alla Fig.5.

AVVERTENZA: utilizzare solo filo monofilo di nylon di qualità del diametro di 2,5 mm. Non usare mai filo o filo rinforzato al posto del filo per rifinitore in nylon. Caricare la testina di taglio del filo di nylon solo con un filo di nylon del diametro corretto.

USO DELL'IMBRACATURA A SPALLA

Per utilizzare l'imbracatura per le spalle:

1. Montare e regolare l'imbracatura per le spalle e la cintura, come mostrato nella Fig. 6.
2. Appendere la linguetta di chiusura al gancio del cablaggio.
3. Se il tagliaerba non è in equilibrio, regolare il gancio dell'imbracatura e il manubrio fino a quando il tagliaerba non si bilancia.

ATTENZIONE: il gancio si trova sul fianco destro e il fermo a sgancio rapido si trova all'esterno. Impara a sganciare rapidamente l'unità dall'imbracatura prima di azionare l'unità, tirando la linguetta di chiusura a sgancio rapido verso l'alto.

AVVERTENZA: mantenere una presa salda con entrambe le mani durante il funzionamento tenendo l'unità con la mano destra sull'impugnatura a grilletto e la mano sinistra sull'impugnatura sinistra.

Prima di iniziare il lavoro:

1. Verificare che tutti i bulloni, dadi e raccordi sulla macchina siano serrati saldamente.
2. Verificare che il filtro dell'aria sia pulito e pulito o sostituirlo con uno nuovo se necessario.
3. Preparare gli accessori e assicurarsi che siano montati correttamente.
4. Verificare che la protezione sia saldamente in posizione.
5. Riempire di carburante come indicato di seguito e assicurarsi che non vi siano perdite di carburante.
6. Verificare che la testa o la lama in nylon non siano danneggiate.

RIFORNIMENTO E LUBRIFICAZIONE

ATTENZIONE: Non fumare mai durante il rifornimento ed evitare di inalare i vapori della benzina.

L'unità è dotata di motore a 2 tempi. Pertanto, è necessario utilizzare sempre una miscela di benzina senza piombo (con 89 ottani o superiore) e olio per 2 tempi. Utilizzare solo benzina che non contenga etanolo o metanolo. È molto importante prestare attenzione alla miscela di carburante che si utilizza, poiché è necessario ottenere una miscela accurata di olio e carburante. Piccole quantità di olio e miscela di carburante con piccole imprecisioni, possono influenzare il rapporto di miscela, che può portare a surriscaldamento del motore e gravi danni al motore. Si consiglia di mescolare solo la quantità necessaria per il lavoro che si sta per svolgere, in modo da mantenere solo l'impostato fresco.

ATTENZIONE: aprire con cautela la parte superiore del serbatoio in quanto potrebbe essersi formata pressione all'interno.

Deve essere utilizzato olio a 2 tempi appositamente formulato per motori a 2 tempi raffreddati ad aria. Non utilizzare olio per 2 tempi destinato a motori raffreddati ad acqua. Non usare mai olio di scarsa qualità o olio per motori a 4 tempi.

Per ottenere i migliori risultati e prestazioni, il rapporto di miscelazione tra benzina e olio è di 30:1. Utilizzare sempre un contenitore pulito per il carburante prima di miscelare il carburante. Mescolare e agitare bene la miscela di carburante prima di riempire il serbatoio del carburante della macchina. Non utilizzare la miscela di carburante conservata per più di un mese. Il serbatoio del carburante della macchina deve essere svuotato prima del rimessaggio.

Utilizzare sempre un imbuto per rifornire la macchina.

Non riempire eccessivamente. Lasciare uno spazio minimo di 5 mm tra la parte superiore della miscela olio combustibile e il bordo interno del serbatoio per consentire l'espansione. Si consiglia di riempire il serbatoio del carburante fino a $\frac{3}{4}$ del suo pieno potenziale.

AVVERTENZA: chiudere sempre saldamente il tappo del serbatoio del carburante.

AVVIAMENTO DELL'UNITÀ

1. Spostare il commutatore di accensione in posizione "START".

2. Esercitare una leggera pressione sulla pompa di adescamento ripetutamente (7-10 volte) finché il carburante non entra nella pompa di adescamento.
3. In caso di avviamento a freddo: tirare la leva dello starter verso l'alto per chiudere lo starter.
4. Muovete il grilletto dell'acceleratore e mantenete in posizione con il blocco dell'acceleratore (se presente).
5. Tirare l'avviamento a strappo finché il motore non si avvia. Se l'avviamento a strappo viene tirato ripetutamente con lo starter inserito, potrebbe ingolfare il motore e rendere difficile l'avviamento. Se avete allagato il motore, togliete la candela e tirate delicatamente la maniglia sulla fune di avviamento per eliminare l'eventuale carburante in eccesso. Quindi riposizionare una scintilla secca e riprovare.

ATTENZIONE: Per evitare di rompere le fune di avviamento, non tirarla per tutta la sua lunghezza né lasciarla scorrere lungo il bordo del foro guida cavo. Rilasciare lo starter gradualmente, per evitare che voli indietro in modo incontrollato.

6. Quando il motore è avviato e al minimo, riportare indietro la leva dello starter per aprire lo starter.
7. Disinnestare il blocco dell'acceleratore (se presente) premendo brevemente il grilletto dell'acceleratore.
8. Lasciare che il motore si riscaldi per alcuni minuti prima dell'uso.

NOTA: quando il motore è caldo, lo starter deve rimanere sempre nella posizione "RUN".

FUNZIONAMENTO DELL'UNITÀ

La testa di taglio ruota in senso antiorario. Il coltello di taglio per la linea di taglio si trova sul lato destro dello schermo antidebriti.

Per quasi tutti i tagli della linea della testa, si consiglia di inclinare la linea della testa in modo che il contatto avvenga sulla parte del cerchio della linea che la linea si sta allontanando da te e dallo scudo dei detriti. Ciò comporterà la deviazione di eventuali detriti lontano da te. Se tagli fino a una barriera come recinzione, muro o albero, avvicinati da un angolo tale da far rimbalzare i detriti volanti lontano da te.

ATTENZIONE: non tagliare dove non è possibile vedere cosa sta tagliando l'utensile da taglio.

La lama viene utilizzata per tagliare la crescita fino a ¾" di diametro.

AVVERTENZA: non utilizzare il decespugliatore per tagliare alberi che superano il diametro da ½" a ¾".

AVVERTENZA: prestare sempre attenzione alla spinta della lama. La spinta della lama è la reazione che può verificarsi quando la lama rotante entra in contatto con qualcosa che non può tagliare; provocando l'arresto della lama per un istante e provocando una forza che potrebbe spingere il decespugliatore lontano dall'ostacolo a contatto.

ARRESTO DELL'UNITÀ

1. Rilasciare la mano dal comando dell'acceleratore. Lasciar raffreddare il motore facendolo girare al minimo per 2-3 minuti.

2. Se l'unità è dotata di un interruttore On / Off caricato a molla, premere e tenere premuto il pulsante in posizione "O" fino a quando il motore non si ferma. Altrimenti, spingere l'interruttore in posizione "Off".

MANUTENZIONE E PULIZIA

AVVERTENZA: non eseguire mai la manutenzione o la pulizia con l'unità in funzione. Lavorare sempre su un'unità fresca.

AVVERTENZA: prima di pulire o eseguire lavori di manutenzione, scollegare il cappuccio della candela e leggere le relative istruzioni. Indossare indumenti adeguati e guanti protettivi ogni volta che le mani sono a rischio.

Qualsiasi operazione di regolazione o manutenzione non descritta in questo manuale deve essere eseguita dal Rivenditore o da un Centro di Assistenza specializzato con le conoscenze e le attrezzature necessarie per garantire che il lavoro venga svolto correttamente mantenendo il livello di sicurezza originale della macchina. Qualsiasi operazione eseguita in centri non autorizzati o da persone non qualificate invaliderà totalmente la Garanzia e tutti gli obblighi e responsabilità del Fabbricante.

Tenere tutti i dadi e le viti serrati per assicurarsi che la macchina sia sempre in condizioni di lavoro sicure. La manutenzione ordinaria è essenziale per la sicurezza e per mantenere un alto livello di prestazioni.

ATTENZIONE: Non utilizzare mai la macchina con parti usurate o danneggiate. Le parti difettose o usurate devono essere sempre sostituite e non riparate. Utilizzare solo ricambi originali.

Elementi		Frequenza					
		Before each use	During each refuelling stop	After each use	Every week or every 10 hrs of operation	Every month or every 50 hrs of operation	Every 12 months or every 100 hrs of operation
Unità completa	Ispezione visuale	✓	✓	✓			
	Pulizia			✓			
Maniglie di controllo	Controllare	✓	✓	✓			
	Controllare e pulire			✓*	✓*		
Filtro dell'aria	Sostituire					✓	
	Controllare e regolare				✓*		
Candela	Sostituire						✓
	Pulizia					✓*	
Filtro del carburante	Sostituire						✓

Elementi		Frequenza					
		Before each use	During each refuelling stop	After each use	Every week or every 10 hrs of operation	Every month or every 50 hrs of operation	Every 12 months or every 100 hrs of operation
Carburatore	Controllo inattività			✓			
	Servizio						✓**
Grasso per ingranaggi conici	Controlla e riempi				✓		
Tubo del carburante	Controllare						✓**
Ingressi di raffreddamento	Controllare e pulire	✓	✓	✓			
Attrezzatura da taglio	Controllare	✓	✓	✓			
Protezione da taglio	Controllare	✓	✓	✓			
Imbracatura	Controllare	✓	✓	✓			
* Questi elementi devono essere sostituiti se necessario.							
** Questi elementi devono essere mantenuti e riparati solo da un rivenditore autorizzato, che dispone degli strumenti appropriati e della competenza meccanica richiesta.							

PORTA DI SCARICO E SILENZIATORE

A seconda del tipo di carburante e del rapporto di miscela utilizzato e delle condizioni operative, la luce di scarico e il silenziatore possono bloccarsi a causa dei depositi di carbonio. Se si nota una perdita di alimentazione durante il funzionamento dell'unità, rivolgersi a un centro di assistenza qualificato per la manutenzione dell'unità.

FILTRO DELL'ARIA

1. Svitare il bullone dal coperchio del filtro dell'aria e rimuovere il coperchio.
2. Verificare che il filtro dell'aria sia libero da sporco e in buone condizioni.
3. Se il filtro dell'aria è sporco, rimuoverlo e pulirlo.
4. Lavare l'elemento in schiuma in una soluzione di detersivo domestico e acqua calda, quindi risciacquare abbondantemente o lavare con un solvente non infiammabile o ad alto punto di infiammabilità.
5. Stringere delicatamente il filtro dell'olio. Lasciare asciugare completamente l'elemento in schiuma.
6. Immergere l'elemento in schiuma in olio motore pulito e strizzare delicatamente l'olio in

ccesso. Il motore emetterà fumo durante l'avvio iniziale se è rimasto troppo olio nell'elemento in schiuma.

7. Reinstallare il filtro dell'aria e seguire la procedura inversa per riposizionare il coperchio del filtro dell'aria.

NOTA: se il motore funziona spesso in presenza di polvere o in altre circostanze gravi, pulire l'elemento del filtro dell'aria ogni 10 ore. Se necessario, cambiare l'elemento del filtro dell'aria ogni 25 ore.

NOTA: L'accumulo di polvere nel filtro dell'aria riduce l'efficienza del motore, con conseguente perdita di potenza e elevato consumo di carburante.

CANDELA

1. Rimuovere il cavo della candela per accedere alla candela.
2. Utilizzare uno strumento per candele appropriato per rimuovere con cautela la candela.
3. Ispezionare le condizioni della candela e del suo elettrodo.
4. Deve essere pulito e non indossato.
5. Verificare che la distanza tra gli elettrodi della candela sia compresa tra 0,6 e 0,7 mm (Fig. 8). Sostituire la candela con una nuova se necessario.
6. Avvitare con cura a mano la candela nel motore.
7. Una volta filettata, utilizzare l'apposito attrezzo per candele per serrare saldamente la candela.
8. Ricollegare il filo della candela.

AVVERTENZA: non lasciare mai che sporcizia o detriti entrino nel foro del cilindro. Prima di rimuovere la candela, pulire accuratamente la candela e la zona della testata.

INGRANAGGIO CONICO

Il grasso per ingranaggi conici deve essere rifornito con nuovo grasso a base di litio ogni 30-40 ore di funzionamento, come mostrato nella Fig. 9. Rimuovere il bullone e la rondella. Alimentare il grasso ruotando contemporaneamente l'albero manualmente finché il grasso non fuoriesce dal foro. Quindi rimontare il bullone e la rondella.

PULIZIA

Utilizzare una piccola spazzola morbida per pulire l'esterno dell'unità. Non utilizzare detergenti aggressivi. I detergenti per la casa che contengono oli aromatici come pino e limone e solventi come il cherosene possono danneggiare l'involucro o il manico in plastica. Rimuovere l'umidità con un panno morbido.

TRASPORTO

Il motore deve essere spento quando l'unità viene spostata tra le aree di lavoro.

ATTENZIONE: Dopo che il motore si è spento, la marmitta è ancora calda. Non toccare.

Svuotare il serbatoio del carburante e proteggere l'unità prima di trasportarla su un veicolo.

Se la lama è montata, utilizzare sempre la protezione della lama. Posizionare sempre la protezione della lama sulla lama quando l'unità non è in uso e

ricordarsi di rimuovere la protezione della lama prima di utilizzare nuovamente l'unità.

CONSERVAZIONE

AVVERTENZA: non conservare mai l'unità con il carburante nel serbatoio e lasciare sempre raffreddare l'unità prima di riportarla.

AVVERTENZA: conservare l'unità solo in aree asciutte e ben ventilate.

Nel caso in cui l'unità venga conservata per un periodo di tempo prolungato, utilizzare la seguente procedura di conservazione:

1. Scaricare tutto il carburante dal serbatoio del carburante.
2. Avviare il motore e lasciarlo girare finché non si arresta. Ciò garantisce che tutto il carburante sia stato scaricato dal carburatore.
3. Lasciar raffreddare il motore.
4. Rimuovere la candela e versare 30 ml di olio motore di alta qualità o olio per 2 tempi nel cilindro. Tirare lentamente la fune di avviamento per distribuire l'olio.
5. Reinstallare la candela.
6. Pulire accuratamente l'unità e ispezionare eventuali parti allentate o danneggiate. Riparare o sostituire le parti danneggiate e serrare viti, dadi o bulloni allentati.

PROTEZIONE AMBIENTALE

Ricicla le materie prime invece di smaltirle come rifiuti. La macchina, gli accessori e l'imballaggio devono essere selezionati per il riciclaggio rispettoso dell'ambiente. I componenti in plastica sono etichettati per il riciclaggio classificato.

GARANZIA

Questo prodotto è garantito in conformità con le normative legali / specifiche del paese, in vigore dalla data di acquisto da parte del primo utente. I danni attribuibili alla normale usura, sovraccarico o uso improprio saranno esclusi dalla garanzia. In caso di reclamo, inviare la macchina, completamente assemblata, al proprio rivenditore o al centro di assistenza ufficiale.

ΕΛΛΗΝΙΚΑ

ΓΕΝΙΚΕΣ ΠΡΟΕΙΔΟΠΟΙΗΣΕΙΣ ΑΣΦΑΛΕΙΑΣ

Διαβάστε και κατανοήστε αυτό το εγχειρίδιο κατόχου προτού θέσετε σε λειτουργία το παρόν μηχάνημα. Μπορείτε να αποφύγετε ατυχήματα αν είστε εξοικειωμένοι με τα χειριστήρια του προϊόντος και τηρώντας τις ασφαλείς διαδικασίες λειτουργίας. Μην εκθέτετε το προϊόν σε υπερβολική υγρασία, σκόνη, βρωμιά ή διαβρωτικούς ατμούς. Ποτέ μην επιχειρήσετε να τροποποιήσετε το προϊόν. Χρησιμοποιείτε πάντα κοινή λογική σκέψη ώστε να αποφύγετε να βρεθείτε σε κατάσταση πέρα των δυνατοτήτων σας. Μη χρησιμοποιείτε το προϊόν όταν είστε κουρασμένοι ή υπό την επήρεια ναρκωτικών, αλκοόλ ή άλλων φαρμακευτικών σκευασμάτων. Κρατείστε παιδιά και τυχόν παρευρισκόμενους μακριά κατά τη λειτουργία του μηχανήματος (Εικ. 6). Μην επιτρέπετε σε παιδιά ή όσους δεν είναι εξοικειωμένοι με τις οδηγίες χρήσης να χρησιμοποιήσουν το μηχάνημα. Η τοπική νομοθεσία είναι πιθανόν να ορίζει κατώτατη ηλικία χρήση. Πάντα να θυμάστε πως ο χειριστής ή χρήστης είναι υπεύθυνος για ατυχήματα ή απρόσμενα γεγονότα που τυχόν προκληθούν κατά τη λειτουργία σε άλλους ανθρώπους ή την περιουσία τους. Συμβουλευτείτε τον συμβεβλημένο συνεργάτη σας για εργασίες αποσυρμολόγησης και συντήρησης, που δεν καλύπτονται από αυτό το εγχειρίδιο.

ΚΙΝΔΥΝΟΙ ΜΟΝΟΞΕΙΔΙΟΥ ΤΟΥ ΑΝΘΡΑΚΑ

Λειτουργήστε μόνο σε εξωτερικούς χώρους. Ποτέ μην λειτουργείτε τον κινητήρα σε εσωτερικούς χώρους καθώς παράγει δηλητηριώδες μονοξείδιο του άνθρακα, ένα άοσμο και άχρωμο αέριο. Η εισπνοή μονοξειδίου του άνθρακα θα προκαλέσει ναυτία, λιποθυμία ή θάνατο.

ΚΙΝΔΥΝΟΙ ΠΡΟΚΛΗΣΗΣ ΠΥΡΚΑΓΙΑΣ

Μη χρησιμοποιείτε σε σημεία με υψηλό κίνδυνο πυρκαγιάς. Η εξάτμιση ζεσταίνεται αρκετά και ενδέχεται να προκληθεί φωτιά σε εύφλεκτα υλικά. Ορισμένα μέρη του μηχανήματος ζεσταίνονται πολύ κατά τη λειτουργία του και θα πρέπει να προσέχετε να μην τα αγγίζετε για να μην καίτε. Αφήστε το μηχάνημα να κρυώσει προτού το αποθηκεύσετε.

Μη καννίζετε κοντά στο μηχάνημα. Πιθανές ηγές φωτιάς ή σπινθήρες πρέπει να διατηρούνται μακριά. Δώστε προσοχή στους κινδύνους πρόκλησης φωτιάς κατά τον ανεφοδιασμό του μηχανήματος. Σε περίπτωση φωτιάς, χρησιμοποιήστε τον κατάλληλο πυροσβεστήρα, ειδικά σχεδιασμένο για φωτιά λαδιού και βενζίνης.

ΚΙΝΔΥΝΟΙ ΚΑΥΣΙΜΟΥ ΚΑΙ ΛΑΔΙΟΥ

Η βενζίνη και το λάδι είναι τοξικά και εύφλεκτα υλικά. Ακολουθήστε τις οδηγίες που παρέχονται από κάθε κατασκευαστή πριν από τη χρήση.

Σιγουρευτείτε ότι υπάρχει απόσταση μεταξύ τυχόν δοχείου αποθήκευσης καυσίμου και του μηχανήματος, για την αποφυγή περιττού κινδύνου. Να ανεφοδιάζετε μόνο σε εξωτερικούς και

καλά αεριζόμενους χώρους και με τον κινητήρα σβηστό. Μην ανεφοδιάζετε κατά τη διάρκεια λειτουργίας. Μην γεμίζετε υπερβολικά το δοχείο καυσίμου. Μην καπνίζετε κοντά σε βενζίνη. Διατηρείτε πηγές φωτιάς και σπινθήρες μακριά. Να αποθηκεύετε την βενζίνη μόνο σε εγκεκριμένα δοχεία για καύσιμο. Βεβαιωθείτε ότι έχετε καθαρίσει τυχόν βενζίνη ή λάδι που μπορεί να έχουν κυθεί πριν ξεκινήσετε τον κινητήρα.

Να ανοίγετε την τάπα καυσίμου με προσοχή, ώστε να επιτρέπεται σε τυχόν εσωτερική πίεση να μειωθεί σταδιακά.

ΠΡΟΣΤΑΤΕΥΤΙΚΟΣ ΕΞΟΠΛΙΣΜΟΣ

Να χρησιμοποιείτε πάντα σχετικό και εγκεκριμένο προστατευτικό εξοπλισμό όταν χρησιμοποιείτε το μηχάνημα.

Να φοράτε πάντα επαρκή ρουχισμό που δεν περιορίζει τις κινήσεις σας όταν χρησιμοποιείται το μηχάνημα. Να φοράτε πάντα εφαρμοστά ρούχα, κράνος, γάντια προστασίας από δονήσεις, προστατευτικά γυαλιά, μάσκα αναπνοής, προστατευτικό εξοπλισμό ακοής και μπότες προστασίας με σόλες υψηλής πρόσφυσης. Να μην φοράτε κασκόλ, φαρδιές μπλουζές, κολιέ ή οποιαδήποτε αξεσουάρ που κρέμεται ή περισεύει και θα μπορούσε να παγιδευτεί στο μηχάνημα. Μαζέψτε τα μαλλιά σας αν είναι μακριά. Μάσκα αναπνοής κατά της σκόνης πρέπει να χρησιμοποιηθεί όπου υπάρχει σχετικό ρίσκο.

ΠΡΟΕΙΔΟΠΟΙΗΣΕΙΣ ΑΣΦΑΛΕΙΑΣ ΚΑΤΗΓΟΡΙΑΣ

ΑΣΦΑΛΗΣ ΛΕΙΤΟΥΡΓΙΑ

Ο μοχλός του γκαζιού πρέπει να κινείται ελεύθερα, δεν πρέπει να απαιτεί ιδιαίτερη προσπάθεια και πρέπει να επιστρέφει αυτόματα και γρήγορα σε ουδέτερη θέση.

Ο διακόπτης λειτουργίας του κινητήρα πρέπει να μετακινείται εύκολα από μεταξύ των θέσεών του. Τα ηλεκτρικά καλώδια και ειδικά το καλώδιο του μπουζί πρέπει να είναι σε άριστη κατάσταση για αποφυγή σπινθήρων και η πίπα του μπουζί πρέπει να είναι σωστά τοποθετημένη στο μπουζί.

Οι χειρολαβές και οι προστασίες του μηχανήματος πρέπει να είναι καθαρά, στεγνά και επαρκώς σφιγμένα στις θέσεις τους στο μηχάνημα.

Μη προσαρμόζετε στο μηχάνημα εξοπλισμό ή αξεσουάρ που δεν προβλέπονται ή δεν είναι εγκεκριμένα από τον κατασκευαστή. Μη εξουσιοδοτημένες παρεμβάσεις ή αξεσουάρ μπορούν να προκαλέσουν σοβαρό τραυματισμό ή και θάνατο του χειριστή ή άλλων.

Συνιστάται να έχετε τα γυμνά χέρια και τα πόδια σας καλυμμένα για να προστατευτείτε από τυχόν εξουστρακισμένα αντικείμενα κατά τη λειτουργία.

Συνορεύεται πως έχετε σταματήσει τον κινητήρα:

- Όταν προσαρμόζετε ή αφαιρείτε αξεσουάρ του φυσητήρα.
- Όποτε αφήνετε το μηχάνημα χωρίς επίβλεψη ή όποτε σκοπεύετε να το αφήσετε στο έδαφος.
- Κατά τον ανεφοδιασμό.
- Όταν μετακινείστε μεταξύ θέσεων εργασίας.

ΠΡΟΣΟΧΗ: Τα περιστρεφόμενα μέρη μπορούν να προκαλέσουν σοβαρό τραυματισμό και πρέπει να αποφεύγετε να έρχεστε σε επαφή με αυτά όταν βρίσκονται σε περιστροφή. Σε περίπτωση που κάποιο ξένο σώμα έχει εισέλθει στο μηχάνημα, σταματήστε τη λειτουργία. Ελέγξτε το μηχάνημα για βλάβη και κάντε τις απαραίτητες επισκευές προτού το θέσετε εκ νέου σε λειτουργία.

ΠΡΟΣΟΧΗ: Μην ακουμπάτε την κεφαλή κοπής όταν ο κινητήρας βρίσκεται σε λειτουργία.

ΠΡΟΣΟΧΗ: Εάν κάποιο μέρος σπάσει ή γίνει κάποιο ατύχημα κατά την εργασία, σβήστε τον κινητήρα αμέσως και μετακινήστε το μηχάνημα μακριά για να αποφευχθεί επιπλέον ζημιά.

Τα επίπεδα θορύβου και δονήσεων που αναφέρονται στις οδηγίες χρήσης είναι τα μέγιστα για τη χρήση του μηχανήματος. Μη επαρκής συντήρηση έχει σημαντικό αντίκτυπο στις εκπεμπόμενες δονήσεις και στο θόρυβο. Επομένως, είναι απαραίτητο να λαμβάνετε προληπτικά μέτρα για να εξαλείψετε πιθανό κίνδυνο λόγω υψηλού επιπέδου δονήσεις ή θορύβου. Διατηρείται το μηχάνημα σε καλή κατάσταση, να φοράτε προστασία ακοής και να κάνετε διαλείμματα κατά την εργασία. Το να λειτουργείτε με σταθερή ταχύτητα και να κρατάτε με καλή και επαρκούς δύναμης λαβή το μηχάνημα μπορεί να ελαττώσει το επίπεδο δονήσεων. Χαμηλές στροφές κινητήρα σημαίνουν και χαμηλά επίπεδα θορύβου, οπότε λειτουργείτε το μηχάνημα στις χαμηλότερες δυνατές στροφές κινητήρα για την εκάστοτε εργασία. Κατά τη διάρκεια μιας μέρας εργασίας, θα πρέπει να κάνετε συχνά και επαρκή διαλείμματα για να αποφύγετε τυχόν ζημιά λόγω δονήσεων ή βλάβη ακοής. Παρατεταμένη έκθεση σε δονήσεις μπορεί να προκαλέσει τραυματισμούς και νευρο-αγγειακές διαταραχές (ονομάζεται επίσης σύνδρομο "Raynaud's" ή σύνδρομο του "Λευκού χεριού", ειδικά σε άτομα που πάσχουν από διαταραχές του κυκλοφοριακού. Τα συμπτώματα μπορεί να αφορούν τα χέρια, τους καρπούς και τα δάκτυλα και εμφανίζονται μέσω απώλειας ευαισθησίας, νέκρωσης αίσθησης, κνησμό, πόνο και αποχρωματισμό ή δομικές αλλαγές του δέρματος. Τα παραπάνω μπορεί να επιδεινωθούν υπό χαμηλές περιβαλλοντολογικές συνθήκες ή όταν πιάνετε τις χειρολαβές υπερβολικά σφικτά. Εάν εμφανιστούν τα συμπτώματα, ο χρόνος που χρησιμοποιείται το μηχάνημα πρέπει να μειωθεί και να συμβουλευτείτε έναν γιατρό.

ΚΙΝΔΥΝΟΙ ΣΧΕΤΙΚΟΙ ΜΕ ΤΗΝ ΠΕΡΙΟΧΗ ΕΡΓΑΣΙΑΣ

Επιθεωρήστε διεξοδικά ολόκληρο το χώρο εργασίας και χρησιμοποιήστε μια τσουγκράνα ή σκούπα για να χαλαρώσετε τυχόν υπολείμματα και να αφαιρέσετε οτιδήποτε μπορεί να εξουστρακιστεί από το μηχάνημα και να αποτελέσει πηγή κινδύνου (πέτρες, κλαδιά, σύρμα, οστά κ.λπ.), ή να μπλεχτεί στην κεφαλή κοπής. Ελέγξτε ότι δεν υπάρχουν παρευρισκόμενοι ή κατοικίδια ζώα σε απόσταση τουλάχιστον 15 μέτρων του εύρους δράσης του μηχανήματος (Εικ. 7).

Μην κατευθύνετε τον σιαστήρα και συνεπώς τα καυσαέρια προς εύφλεκτα υλικά.

Ελέγχετε πάντα για τυχόν αντικείμενα που ενδέχεται να μπλοκάρουν το σύστημα εισαγωγής

αέρα πριν αρχίσετε να εργάζεστε. Μια φραγμένη εισαγωγή αέρα μειώνει την ικανότητα εξαγωγής αέρα του μηχανήματος και αυξάνει τη θερμοκρασία λειτουργίας του κινητήρα, γεγονός που μπορεί να οδηγήσει σε βλάβη του κινητήρα.

Μην λειτουργείτε τον κινητήρα σε περιορισμένους χώρους όπου επικίνδυνα καυσαέρια μονοξειδίου του άνθρακα μπορεί να αναπτυχθούν. Μην χρησιμοποιείτε το μηχάνημα κοντά σε ανοιχτά παράθυρα.

Εργαστείτε μόνο κατά τη διάρκεια της ημέρας ή με καλό τεχνητό φως σε καλές συνθήκες ορατότητας. Προσπαθήστε να μην προκαλείτε αναταραχή. Χρησιμοποιείτε το παρόν μηχάνημα μόνο σε λογικές ώρες της ημέρας (όχι χωρίς το πρωί ή αργά το βράδυ, όταν ο θόρυβος θα μπορούσε να προκαλέσει αναταραχή).

Όταν εργάζεστε σε συνθήκες ξηρού σκονισμένου εδάφους, συνιστάται να υγραίνετε ελαφρώς την επιφάνεια ή / και να χρησιμοποιείτε ενδεδειγμένη μάσκα προστασίας από σκόνη.

Διατηρείτε γερή και καλή ισορροπία θέση εργασίας. Όπου είναι δυνατόν, αποφύγετε να εργάζεστε σε υγρό, ολισθηρό έδαφος ή σε κάθε περίπτωση σε ανώμαλο ή απότομο έδαφος που δεν εγγυάται σταθερότητα για τον χειριστή.

ΠΡΟΔΙΑΓΡΑΦΕΣ ΠΡΟΪΟΝΤΟΣ

ΠΡΟΒΛΕΠΟΜΕΝΗ ΧΡΗΣΗ

Το παρόν μηχάνημα έχει σχεδιαστεί και κατασκευαστεί για κοπή γρασιδιού και βλάστησης, για παράδειγμα σε κλοσάπητες, εξωτερικούς διαδρόμους, χώρους στάθμευσης και δρόμους. Κάθε διαφορετική χρήση από τις παραπάνω αναφερόμενες θα μπορούσε να είναι επικίνδυνη, να προκαλέσει βλάβη σε ανθρώπους και/ή ζημιά σε υλικά και το μηχάνημα.

ΜΗ ΠΡΟΒΛΕΠΟΜΕΝΗ ΧΡΗΣΗ

Το μηχάνημα δεν πρέπει να χρησιμοποιηθεί για να κόψετε επικίνδυνα υλικά όπως εύφλεκτα ή εκρηκτικά είδη, καυτές χόβολες ή υλικά καύσης χωρίς φλόγα, αναμμένα τσιγάρα, κομμάτια γυαλιού, μεταλλικά αντικείμενα, πέτρες και τυχόν άλλα αντικείμενα που θα μπορούσαν να είναι επικίνδυνα για τον χειριστή και άλλους.

Παραδείγματα μη προβλεπόμενης χρήσης μπορεί να περιλαμβάνουν, αλλά δεν περιορίζονται σε:

- Να στρέψετε την κεφαλή κοπής προς ανθρώπους ή/και ζώα.
- Να χρησιμοποιείτε το μηχάνημα χωρίς εξαρτήματα που παρέχονται αποκλειστικά από τον κατασκευαστή για ειδικές χρήσεις, ή να χρησιμοποιείτε αξεσουάρ με τρόπο που δεν είναι σύμφωνος με τις παρούσες οδηγίες χρήσεις.
- Να χρησιμοποιείται το μηχάνημα από περισσότερα από ένα άτομα.

ΤΕΧΝΙΚΑ ΧΑΡΑΚΤΗΡΙΣΤΙΚΑ			
Κωδικός Είδους		45 561	47 591
Μοντέλο		GBC 252C PLUS	GBC 254C PLUS
Κυβισμός	cc	52	54
Στροφές ρελαντί	rpm	3.100 ±400	3.100 ± 400
Μέγιστη ισχύς	kW / hp	1,4 / 1,9	1,8 / 2,4
Μέγιστες στροφές λειτουργίας	rpm	9.000	9.000
Στροφές άξονα εξόδου	rpm	8.250	8.250
Μπουζί		NGK BPMR7A	NGK BPMR7A
Διάκενο μπουζί	mm	0,6-0,7	0,6-0,7
Χωρητικότητα δοχείου καυσίμου	L	1,2	1,2
Καθαρό βάρος (χωρίς προφυλακτήρα και κοπτικό)	kg	7,8	7,8
Εκπομπές θορύβου			
Επίπεδο θορύβου, μέτρησης	dB (A)	98,7	98,7
Αβεβαιότητα	dB (A)	3	3
Επίπεδο θορύβου, εγγυημένο	dB (A)	114	114
Επίπεδο δονήσεων			
Στα χειριστήρια, μέτρησης	m/s ²	8,03	8,03
Αβεβαιότητα	m/s ²	1,5	1,5
Αξεσουάρ			
Κεφαλή χλοοκοπτικού		Tap & Go	Tap & Go
Μεσινέζα, Φ	mm	2,4	2,4
Δίσκος χορτοκοπτικού	mm	255	255

ΤΑΥΤΟΠΟΙΗΣΗ ΜΕΡΩΝ

1. Γωνιακή μετάδοση
2. Κεφαλή μεσινέζας
3. Προφυλακτήρας κεφαλής κοπής
4. Χειριστήριο γκαζιού
5. Άγκιστρο σύνδεσης εξάρτησης
6. Συμπλέκτης
7. Κινητήρας
8. Βίδα ρύθμισης χειρολαβής
9. Τιμόνι τύπου ποδηλάτου
10. Άξονας μετάδοσης

11. Χειρόμιζα
12. Τάπα δοχείου καυσίμου
13. Δοχείο καυσίμου
14. Τσοκ
15. Φίλτρο αέρος

ΛΕΙΤΟΥΡΓΙΑ

ΠΡΙΝ ΤΗ ΛΕΙΤΟΥΡΓΙΑ

Η αποσυσκευασία και η συναρμολόγηση πρέπει να γίνονται σε επίπεδη και σταθερή επιφάνεια, με επαρκή χώρο για τη μετακίνηση του μηχανήματος και της συσκευασίας του και με τη χρήση κατάλληλου εξοπλισμού.

Τοποθετήστε τις χειρολαβές στο βραχίονα συγκράτησης ρυθμίζοντας αυτές σε άνετη θέση και σφίγγοντας τις τέσσερις βίδες στις θέσεις τους. Τοποθετήστε τον προφυλακτήρα στη θέση του με τον αποστάτη και τις βίδες που παρέχονται. Σφίξτε τις βίδες, αφού προσαρμόσετε τον αποστάτη του προφυλακτήρα στην ορθή θέση του.

ΕΓΚΑΘΙΣΤΩΝΤΑΣ ΤΟ ΔΙΣΚΟ ΧΟΡΤΟΚΟΠΗΣ

Για να εγκαταστήσετε το δίσκο χορτοκοπής / λεπίδα (Εικ. 3):

1. Εισαγάγετε το εξάγωνο κλειδί (2) στη συγκεκριμένη οπή στη γωνιακή (1) και περιστρέψτε τη λεπίδα (4) με το χέρι έως ότου το εξάγωνο εισέλθει στην εσωτερική οπή, εμποδίζοντας την περαιτέρω περιστροφή.
2. Ξεβιδώστε το παξιμάδι (7) δεξιόστροφα και αφαιρέστε το κάλυμμα (6).
3. Αφαιρέστε το εξωτερικό παξιμάδι (5) και τη λεπίδα (4).
4. Βεβαιωθείτε ότι οι αυλακώσεις στο εσωτερικό παξιμάδι (3) ταιριάζουν απόλυτα με αυτές της γωνιακής (1).
5. Τοποθετήστε τη λεπίδα (4) και το εξωτερικό παξιμάδι (5).
6. Επανατοποθετήστε το κάλυμμα (6) και το παξιμάδι (7), σφίγγοντάς το πλήρως προς την αριστερόστροφη κατεύθυνση.
7. Αφαιρέστε το εξάγωνο κλειδί (2).

ΠΡΟΕΙΔΟΠΟΙΗΣΗ: Φοράτε προστατευτικά γάντια όταν τοποθετείτε τη λεπίδα για να μην τραυματιστείτε.

ΠΡΟΕΙΔΟΠΟΙΗΣΗ: Η υπερβολική δόνηση της λεπίδας μπορεί να σημαίνει μη σωστή τοποθέτηση και θα μπορούσε να προκαλέσει βλάβη ή / και τραυματισμό. Σταματήστε αμέσως τον κινητήρα και ελέγξτε την εγκατάσταση της λεπίδας.

ΕΓΚΑΘΙΣΤΩΝΤΑΣ ΤΗΝ ΚΕΦΑΛΗ ΧΛΟΟΚΟΠΗΣ

Για να εγκαταστήσετε την κεφαλή χλοοκοπής / μεσινέζας (Εικ. 4):

1. Εισαγάγετε το εξάγωνο κλειδί (2) στη συγκεκριμένη οπή στη γωνιακή (1) και περιστρέψτε την κεφαλή (4) με το χέρι έως ότου το εξάγωνο εισέλθει στην εσωτερική οπή, εμποδίζοντας την περαιτέρω περιστροφή.
2. Ξεβιδώστε την κεφαλή (4) δεξιόστροφα και αφαιρέστε την.
3. Αφαιρέστε το εξωτερικό παξιμάδι (5).
4. Βεβαιωθείτε ότι οι αυλακώσεις στο εσωτερικό παξιμάδι (3) ταιριάζουν απόλυτα με αυτές της γωνιακής (1).

5. Τοποθετήστε το εξωτερικό παξιμάδι (5).
6. Τοποθετήστε την κεφαλή της γραμμής κοπής (4) βιδώνοντάς την αριστερόστροφα.
7. Αφαιρέστε το εξάγωνο πλήκτρο (2).

ΣΗΜΕΙΩΣΗ: Για να αντικαταστήσετε τη μεσινέζα στην κεφαλή χλοοκοπής ανατρέξτε στην Εικ. 5.

ΠΡΟΕΙΔΟΠΟΙΗΣΗ: Χρησιμοποιείτε μόνο καλής ποιότητας μεσινέζα διαμέτρου 2,5 mm. Μην χρησιμοποιείτε ποτέ σύρμα ή ενισχυμένη με σύρμα μεσινέζα αντί για νάylon. Γεμίστε την κεφαλή χλοοκοπής μόνο με μεσινέζα ορθής διαμέτρου.

ΧΡΗΣΙΜΟΠΟΙΩΝΤΑΣ ΤΗΝ ΕΞΑΡΤΥΣΗ

Για να χρησιμοποιήσετε την εξάρτηση ώμου:

1. Συναρμολογήστε και ρυθμίστε την εξάρτηση και τη ζώνη της, όπως φαίνεται στην Εικ. 6.
2. Συνδέστε το σημείο σύνδεσης του θαμνοκοπτικού με το άγκιστρο της εξάρτησης.
3. Εάν το θαμνοκοπτικό δεν ισορροπεί, τότε ρυθμίστε την εξάρτηση και τις χειρολαβές, μέχρι να ισορροπήσει το θαμνοκοπτικό.

ΠΡΟΕΙΔΟΠΟΙΗΣΗ: Το άγκιστρο βρίσκεται στο δεξί σας γοφό και σημείο ταχείας απελευθέρωσης βρίσκεται στο εξωτερικό μέρος. Εξοικειωθείτε με το πώς να αφαιρέτε γρήγορα το μηχανήμα από την εξάρτηση, προτού το θέσετε σε λειτουργία, τραβώντας το σημείο ταχείας απελευθέρωσης προς τα πάνω.

ΠΡΟΕΙΔΟΠΟΙΗΣΗ: Κρατάτε σταθερή λαβή και με τα δύο χέρια κατά τη λειτουργία κρατώντας το μηχανήμα με το δεξί χέρι στη λαβή της σκανδάλης και το αριστερό χέρι στην αριστερή λαβή.

Πριν ξεκινήσετε την εργασία παρακαλείστε να:

1. Ελέγξτε ότι όλες οι βίδες, παξιμάδια και σύνδεσμοι του μηχανήματος είναι σφικτά στερεωμένα.
2. Ελέγξτε ότι το φίλτρο αέρα είναι καθαρό και να το καθαρίσετε ή να το αντικαταστήσετε με καινούργιο αν απαιτείται.
3. Προετοιμάστε τα αξεσουάρ και βεβαιωθείτε ότι έχουν τοποθετηθεί σωστά.
4. Ελέγξτε ότι ο προφυλακτήρας είναι ασφαλισμένος στη θέση του.
5. Γεμίστε με καύσιμο όπως υποδεικνύεται παρακάτω και βεβαιωθείτε πως δεν υπάρχει διαρροή καυσίμου.
6. Ελέγξτε ότι η κεφαλή μεσινέζας ή ο δίσκος δεν έχουν υποστεί κάποια ζημιά.

ΚΑΥΣΙΜΟ ΚΑΙ ΛΙΠΑΝΣΗ

ΠΡΟΣΟΧΗ: Μην καννίζετε όταν αμεφοδιάζετε με καύσιμο και αποφύγετε να εισπνεύσετε τις αναθυμιάσεις καυσίμου.

Το μηχανήμα είναι εξοπλισμένο με 2-χρονο κινητήρα. Επομένως, πρέπει πάντα να χρησιμοποιείτε μείγμα βενζίνης (89 οκτανίων ή και περισσότερων) και λαδιού 2-χρονου κινητήρα. Χρησιμοποιείτε μόνο βενζίνη που δεν περιέχει εθανόλη ή μεθανόλη. Είναι πολύ σημαντικό να προσέξετε τη σχέση μείγματος χρησιμοποιείτε, καθώς πρέπει να υπάρχει ακρίβεια στο αποτέλεσμα. Μικρές ποσότητες μείγματος καυσίμου και λαδιού με μικρές ανακρίβειες, μπορούν να επηρεάσουν τη σχέση μίξης που μπορεί να οδηγήσει σε υπερθέρμανση του κινητήρα και σημαντική ζημιά. Προτείνεται να αναμειγνύετε μόνο την ποσότητα που χρειάζεστε για την εργασία

που πρόκειται να κάνετε, ώστε να διατηρείτε μόνο φρέσκο μείγμα καυσίμου.

ΠΡΟΣΟΧΗ: Ανοίξτε προσεκτικά την τάπα καυσίμου, καθώς πίεση μπορεί να έχει αναπτυχθεί στο εσωτερικό του δοχείου.

Ειδικών προδιαγραφών λάδι 2-χρονου κινητήρα πρέπει να χρησιμοποιείτε. Μη χρησιμοποιείτε λάδι 2-χρονου για υδρόψυκτους κινητήρες. Σε καμία περίπτωση μη χρησιμοποιείτε χαμηλής ποιότητας λάδι ή λάδι για 4-χρονους κινητήρες.

Για βέλτιστα αποτελέσματα, η σχέση μίξης βενζίνης με λάδι είναι 30:1.

Να χρησιμοποιείτε πάντα καθαρό δοχείο καυσίμου πριν τη δημιουργία του μίγματος καυσίμου. Αναμίξτε και ανακινήστε μείγμα εκτενώς, πριν γεμίσετε το δοχείο καυσίμου του μηχανήματος. Μη χρησιμοποιείτε μείγμα καυσίμου που έχει αποθηκευτεί και περισσότερο του ενός μηνός. Το δοχείο καυσίμου του μηχανήματος πρέπει να είναι άδειο πριν την αποθήκευση του μηχανήματος.

Χρησιμοποιείτε πάντα χωνί για να ανατροφοδοτήσετε το μηχανήμα με καύσιμο.

Μη γεμίζετε το μηχανήμα με επιπλέον του απαιτούμενου ποσότητα. Αφήστε κατ' ελάχιστο 5mm κενό χώρο μεταξύ της άνω στάθμης του μίγματος καυσίμου-λαδιού και του εσωτερικού του ντεπόζιτου για να επιτρέψετε τυχόν διαστολή. Συνιστάται να γεμίζετε το δοχείο καυσίμου μέχρι τα $\frac{3}{4}$ της πληρότητας.

ΠΡΟΣΟΧΗ: Να ασφαρίζετε πάντα σφικτά την τάπα καυσίμου.

ΕΚΚΙΝΩΝΤΑΣ ΤΟ ΜΗΧΑΝΗΜΑ

1. Γυρίστε το διακόπτη λειτουργίας στη θέση "START".
2. Πιέστε τη φούσκα προ-πλήρωσης καυσίμου 7-10 φορές μέχρι να γεμίσει με καύσιμο.
3. Σε περίπτωση κρύας εκκίνησης: Τραβήξτε το μοχλό του τσοκ στη θέση κλειστού τσοκ.
4. Πατήστε το χειριστήριο γκαζιού και κρατήστε το στη θέση του με το κλειδώμα γκαζιού (αν είναι διαθέσιμο).
5. Τραβήξτε αργά το σχοινί της μίζας μέχρι να εκκινήσει ο κινητήρας. Εάν τραβήξετε επανειλημμένως τη χειρόμυζα με το τσοκ ενεργοποιημένο, ο κινητήρας μπορεί να υποστεί υπερπλήρωση και δυσκολευτείτε για την εκκίνηση του. Αν έχετε υπερπληρώσει τον κινητήρα, αφαιρέστε το μπουζί και τραβήξτε μαλακά τη χειρόμυζα για να εξαλείψετε τυχόν περίσσεια καυσίμου. Ξηστα επανατοποθετήστε ένα στεγνό μπουζί και ξαναπροσαθήστε.

ΠΡΟΣΟΧΗ: Για να μην σπάσετε το σχοινί της μίζας, μην χρησιμοποιείτε ολόκληρο το μήκος του ή αφήστε το να γλιστρήσει κατά μήκος της άκρης της οπής οδηγού του. Απελευθερώστε σταδιακά τη χειρόμυζα, για να αποσύρσετε να επιστρέψει στην θέση της ανεξέλεγκτα.

6. Όταν ο κινητήρας εκκινήσει και διατηρεί ρελατινί, επαναφέρατε το μοχλό του τσοκ στην θέση ανοικτού τσοκ.
7. Προβείτε σε απεμπλοκή του κλειδώματος γκαζιού πιέζοντας στιγμιαία το χειριστήριο του γκαζιού.
8. Αφήστε τον κινητήρα να αποκτήσει θερμοκρασία λειτουργίας για μερικά λεπτά πριν τη χρήση.

ΣΗΜΕΙΩΣΗ: Όταν ο κινητήρας είναι ζεστός, το χειριστήριο του τσοκ θα πρέπει να παραμένει πάντα στη θέση "RUN".

ΛΕΙΤΟΥΡΓΩΝΤΑΣ ΤΟ ΜΗΧΑΝΗΜΑ

Η κεφαλή κοπής περιστρέφεται αριστερόστροφα. Το μαχαίρι για τη μεσινέζα βρίσκεται στη δεξιά πλευρά του προφυλακτήρα.

Για σχεδόν όλες τις περιπτώσεις κοπής με μεσινέζα, συνιστάται να γείρετε την κεφαλή έτσι ώστε η επαφή να γίνεται στο τμήμα του κύκλου περιστροφής της κεφαλής όπου η μεσινέζα απομακρύνεται από εσάς και τον προφυλακτήρα. Αυτό θα έχει ως αποτέλεσμα να απομακρύνονται τυχόν εξοστρακίζόμενα αντικείμενα από εσάς. Εάν κόβετε κοντά σε ένα εμπόδιο όπως φράχτη, τοίχο ή δέντρο, πλησιάστε τέτοια γωνία, ώστε να υψωθείτε τα εξοστρακίζόμενα αντικείμενα μακριά από εσάς.

ΠΡΟΕΙΔΟΠΟΙΗΣΗ: Μην κόβετε εκεί όπου δεν μπορείτε να δείτε τι κόβετε το εργαλείο κοπής.

Ο δίσκος χρησιμοποιείται για την κοπή βλάστησης έως $\frac{3}{4}$ " σε διάμετρο.

ΠΡΟΕΙΔΟΠΟΙΗΣΗ: Μη χρησιμοποιείτε το θαμνοκοπτικό για την κοπή δέντρων που έχουν διάμετρο μεγαλύτερη από $\frac{1}{2}$ " έως $\frac{3}{4}$ ".

ΠΡΟΕΙΔΟΠΟΙΗΣΗ: Να είστε πάντα προειδασμένοι σχετικά με την ώθηση της λεπίδας. Η ώθηση λεπίδας είναι η αντίδραση που μπορεί να προκύψει όταν η περιστρεφόμενη λεπίδα έρχεται σε επαφή με οτιδήποτε δεν μπορεί να κοπεί. αναγκάζοντας τη λεπίδα να σταματήσει για μια στιγμή και να προκαλέσει μια δύναμη που θα μπορούσε να απομακρύνει το θαμνοκοπτικό μακριά από το εμπόδιο που έρχεται σε επαφή.

ΣΤΑΜΑΤΩΝΤΑΣ ΤΟ ΜΗΧΑΝΗΜΑ

1. Αφήστε το χέρι σας από το γκαζί. Αφήστε τον κινητήρα να κρυώσει στο ρελατινί για 2-3 λεπτά.
2. Εάν η μονάδα σας διαθέτει διακόπτη ON/OFF με ελατήριο, πατήστε και κρατήστε πατημένο το κουμπί στη θέση "O" έως ότου ο κινητήρας σταματήσει. Διαφορετικά, γυρίστε το διακόπτη στη θέση "OFF".

ΣΥΝΤΗΡΗΣΗ ΚΑΙ ΚΑΘΑΡΙΣΜΟΣ

ΠΡΟΣΟΧΗ: Μην κάνετε ποτέ συντήρηση ή καθαρισμό με το μηχανήμα σε λειτουργία. Να εργάζεστε πάντα σε κρύο μηχανήμα.

ΠΡΟΣΟΧΗ: Πριν καθαρίσετε ή εκτελέσετε εργασίες συντήρησης, αποσυνδέστε το μπουζί και διαβάστε τις σχετικές οδηγίες. Φοράτε κατάλληλα ρούχα και προστατευτικά γάντια όποτε κινδυνεύουν τα χέρια σας.

Τυχόν προσαρμογές ή εργασίες συντήρησης που δεν περιγράφονται σε αυτό το εγχειρίδιο πρέπει να εκτελούνται από τον αντιπρόσωπό σας ή ένα εξειδικευμένο κέντρο σέρβις με τις απαραίτητες γνώσεις και εξοπλισμό για να διασφαλιστεί ότι η εργασία γίνεται σωστά διατηρώντας το αρχικό επίπεδο ασφάλειας του μηχανήματος. Τυχόν εργασίες που εκτελούνται σε μη εξουσιοδοτημένα κέντρα ή από μη εξουσιοδοτημένα άτομα θα ακυρώσουν πλήρως

την εγγύηση και όλες τις υποχρεώσεις και ευθύνες του κατασκευαστή.

Διατηρείτε όλα τα παξιμάδια και τις βίδες σφικτά για να βεβαιωθείτε ότι το μηχάνημα είναι πάντα σε ασφαλή κατάσταση λειτουργίας. Η τακτική συντήρηση είναι απαραίτητη για την ασφάλεια και για τη διατήρηση υψηλού επιπέδου επιδόσεων.

ΠΡΟΣΟΧΗ: Μη χρησιμοποιείτε ποτέ το μηχάνημα με φθαρμένα ή κατεστραμμένα μέρη. Τα ελαττωματικά ή φθαρμένα εξαρτήματα πρέπει πάντα να αντικαθίστανται και να μην επισκευάζονται. Χρησιμοποιείτε μόνο γνήσια ανταλλακτικά.

Εργασίες		Συχνότητα					
		Πριν κάθε χρήση	Κατά τον ανεφοδιασμό	Μετά από κάθε χρήση	Κάθε εβδομάδα ή κάθε 10 ώρες λειτουργίας	Κάθε μήνα ή κάθε 50 ώρες λειτουργίας	Κάθε χρόνο ή κάθε 100 ώρες λειτουργίας
Πλήρες μηχάνημα	Οπτικός έλεγχος	✓	✓	✓			
	Καθάρισμα			✓			
Χειριστήρια	Έλεγχος	✓	✓	✓			
	Έλεγχος και καθάρισμα			✓*	✓*		
Φίλτρο αέρα	Αντικατάσταση					✓	
	Έλεγχος και ρύθμιση				✓*		
Μπουζί	Αντικατάσταση						✓
	Καθάρισμα					✓*	
Φίλτρο βενζίνης	Αντικατάσταση						✓
	Έλεγχος ρελαντί			✓			
Καρμπουρατέρ	Σέρβις						✓**
	Έλεγχος και προσθήκη				✓		
Σωλήνες καυσίμου	Έλεγχος						✓**
Είσοδοι αέρα	Έλεγχος και καθάρισμα	✓	✓	✓			
	Έλεγχος	✓	✓	✓			
Προστασίες κοπτικών	Έλεγχος	✓	✓	✓			
Εξάρτηση	Έλεγχος	✓	✓	✓			

* Αυτά τα αντικείμενα πρέπει να αντικαθίστανται αν απαιτείται.

Εργασίες	Συχνότητα					
	Πριν κάθε χρήση	Κατά τον ανεφοδιασμό	Μετά από κάθε χρήση	Κάθε εβδομάδα ή κάθε 10 ώρες λειτουργίας	Κάθε μήνα ή κάθε 50 ώρες λειτουργίας	Κάθε χρόνο ή κάθε 100 ώρες λειτουργίας
**Αυτές οι εργασίες πρέπει γίνονται μόνο από εξουσιοδοτημένους αντιπροσώπους που έχουν τα κατάλληλα εργαλεία και επάρκεια γνώσεων.						

ΕΞΟΔΟΣ ΕΞΑΤΜΙΣΗΣ ΚΑΙ ΣΙΓΑΣΤΗΡΑΣ

Ανάλογα με τον τύπο καυσίμου και αναλογίας μείγματος που χρησιμοποιείται και τις συνθήκες λειτουργίας, η έξοδος εξάτμισης και ο σιγαστήρας μπορεί να μπλοκαριστούν λόγω των αποθέσεων άνθρακα. Εάν παρατηρήσετε απώλεια απόδοσης κατά τη λειτουργία της μονάδας σας, ανατρέξτε σε εξουσιοδοτημένο κέντρο σέρβις για να συντηρήσετε τη μονάδα σας.

ΦΙΛΤΡΟ ΑΕΡΑ

- Ξεβιδώστε τη βίδα από το κάλυμμα του φίλτρου αέρα και αφαιρέστε το κάλυμμα.
- Βεβαιωθείτε ότι το φίλτρο αέρα είναι απαλλαγμένο από ακαθαρσίες και σε καλή κατάσταση.
- Εάν το φίλτρο αέρα είναι βρώμικο, αφαιρέστε το και καθαρίστε το.
- Πλύνετε το αφρώδες στοιχείο σε διάλυμα οικιακού απορρυπαντικού και ζεστού νερού, στη συνέχεια ξεπλύνετε καλά ή πλύνετε με μη εύφλεκτο ή υψηλού σημείου ανάφλεξης διάλυμα.
- Πιέστε απαλά το φίλτρο λαδιού. Αφήστε το αφρώδες στοιχείο να στεγνώσει καλά.
- Βυθίστε το αφρώδες στοιχείο σε καθαρό λάδι κινητήρα και πιέστε απαλά για να στραγγίξετε τυχόν περίσσεια λαδιού. Ο κινητήρας θα κανίσει κατά την αρχική εκκίνηση εάν έχει απομείνει πολύ λάδι στο αφρώδες στοιχείο.
- Εγκαταστήστε ξανά το φίλτρο αέρα και ακολουθήστε την αντίστροφη διαδικασία για να τοποθετήσετε ξανά το κάλυμμα του φίλτρου αέρα.

ΣΗΜΕΙΩΣΗ: Εάν ο κινητήρας λειτουργεί συχνά υπό συνθήκες αυξημένης σκόνης ή άλλες δυσμενείς συνθήκες, καθαρίστε το στοιχείο φίλτρου αέρα κάθε 10 ώρες. Εάν είναι απαραίτητο, αλλάξτε το στοιχείο φίλτρου αέρα κάθε 25 ώρες.

ΣΗΜΕΙΩΣΗ: Συσσωρευμένη σκόνη στο φίλτρο αέρα θα μειώσει την απόδοση του κινητήρα, με αποτέλεσμα την απώλεια ισχύος και την υψηλή κατανάλωση καυσίμου.

ΜΠΟΥΖΙ

- Αφαιρέστε το καλώδιο μπουζί για να έχετε πρόσβαση στο μπουζί.
- Χρησιμοποιήστε ένα κατάλληλο εργαλείο μπουζί για να αφαιρέσετε προσεκτικά το μπουζί.
- Επιθεωρήστε την κατάσταση του μπουζί και

- του ηλεκτροδίου του.
- Πρέπει να είναι καθαρό και να μην είναι φθαρμένο.
 - Ελέγξτε ότι το διάκενο μουτζι κυμαίνεται μεταξύ 0,6 και 0,7 mm (Εικ. 8). Αν χρειάζεται, αντικαταστήστε το μουτζι με ένα νέο.
 - Περάστε προσεκτικά το μουτζι στον κινητήρα με το χέρι.
 - Αφού βιδώσετε μερικές σπείρες, χρησιμοποιήστε το κατάλληλο εργαλείο μουτζι για να σφίξετε σταθερά το μουτζι.
 - Επανασυνδέστε το καλώδιο του μουτζι.

ΠΡΟΣΟΧΗ: Μην αφήνετε ποτέ βρωμιά ή υπολείμματα να εισέλθουν στον κύλινδρο. Πριν αφαιρέσετε το μουτζι, καθαρίστε προσεκτικά τόσο το μουτζι όσο και την περιοχή της κύλινδρο-κεφαλής.

ΓΩΝΙΑΚΗ

Το γράσο γρاناζιού πρέπει να αναπληρώνεται με νέο γράσο λιθίου κάθε 30 έως 40 ώρες λειτουργίας, όπως φαίνεται στην Εικ. 9. Αφαιρέστε τη βίδα και τη ροδέλα. Τροφοδοτήστε το γράσο περιστρέφοντας ταυτόχρονα τον άξονα χειροκίνητα μέχρι να εμφανιστεί γράσο από την οπή. Στη συνέχεια επανατοποθετήστε τη βίδα και τη ροδέλα.

ΚΑΘΑΡΙΣΜΟΣ

Χρησιμοποιήστε μια μικρή μαλακή βούρτσα για να καθαρίσετε το εξωτερικό της μονάδας. Μην χρησιμοποιείτε ισχυρά απορρυπαντικά. Τα οικιακά καθαριστικά που περιέχουν αρωματικά έλαια όπως πεύκο και λεμόνι και διαλύτες όπως κηροζίνη μπορούν να προκαλέσουν ζημιά στο πλαστικό περίβλημα ή στη λαβή. Σκουπίστε τυχόν υγρασίες με ένα μαλακό πανί.

ΜΕΤΑΦΟΡΑ

Ο κινητήρας πρέπει να τίθεται εκτός λειτουργίας όταν το μηχανήμα μεταφέρεται μεταξύ θέσεων εργασίας.

ΠΡΟΕΙΔΟΠΟΙΗΣΗ: Αφού ο κινητήρας έχει σταματήσει, η εξάτμιση θα είναι ακόμη ζεστή. Μην αγγίζετε. Αδειάστε το δοχείο καυσίμου και ασφαλίστε σε σταθερή θέση το μηχανήμα πριν την μεταφορά του με όχημα. Όταν ο δίσκος κοπής είναι στο μηχανήμα, να είναι τοποθετημένος και ο προφυλακτήρας του. Να βάζετε πάντα το προφυλακτήρα του δίσκου στο δίσκο όταν το μηχανήμα δεν χρησιμοποιείται και να θυμάστε να αφαιρείτε τον προφυλακτήρα πριν τη χρήση του μηχανήματος.

ΑΠΟΘΗΚΕΥΣΗ

ΠΡΟΣΟΧΗ: Μην αποθηκεύετε ποτέ το μηχανήμα με καύσιμο στη δεξαμενή και αφήνετε πάντα να κρυώσει πριν την αποθήκευση.

ΠΡΟΣΟΧΗ: Αποθηκεύστε το μηχανήμα μόνο σε ξηρούς και καλά αεριζόμενους χώρους.

Σε περίπτωση που η μονάδα θα αποθηκευτεί για μεγάλο χρονικό διάστημα, χρησιμοποιήστε την ακόλουθη διαδικασία αποθήκευσης:

- Αποστραγγίστε όλο το καύσιμο από το ρεζερβουάρ καυσίμου.
- Εκκινήστε τον κινητήρα και αφήστε τον να λειτουργήσει μέχρι να σταματήσει μόνος του. Αυτό εξασφαλίζει ότι όλο το καύσιμο έχει

αποστραγγιστεί από το καρμπυρατέρ.

- Αφήστε τον κινητήρα να κρυώσει.
- Αφαιρέστε το μουτζι και βάλτε 30 ml λαδιού κινητήρα υψηλής ποιότητας ή λαδιού μίξης στον κύλινδρο. Τραβήξτε αργά το σκονί της μίζας για να διανεμήτε το λάδι.
- Εγκαταστήστε εκ νέου το μουτζι.
- Καθαρίστε σχολαστικά τη μονάδα και ελέγξτε για τυχόν χαλαρά ή κατεστραμμένα μέρη. Επισκευάστε ή αντικαταστήστε τα κατεστραμμένα μέρη και σφίξτε τις χαλαρές βίδες, παξιμάδια ή μπουλόνια.

ΠΡΟΣΤΑΣΙΑ ΤΟΥ ΠΕΡΙΒΑΛΛΟΝΤΟΣ

Ανακυκλώστε τις πρώτες ύλες αντί να τις απορρίψετε. Το μηχανήμα, τα αξεσουάρ και οι συσκευασίες πρέπει να ταξινομούνται για φιλική προς το περιβάλλον ανακύκλωση. Τα πλαστικά εξαρτήματα επισημαίνονται για κατηγοριοποιημένη ανακύκλωση.

ΕΓΓΥΗΣΗ

Αυτό το προϊόν είναι εγγυημένο σύμφωνα με τους νόμους / ειδικούς κανονισμούς ανά χώρα, από την ημερομηνία αγοράς του από τον χρήστη. Ζημιές που οφείλονται σε φυσιολογική φθορά, υπερφόρτωση ή ακατάλληλο χειρισμό θα εξαιρεθούν από την εγγύηση. Σε περίπτωση αξίωσης, στείλτε το μηχανήμα, πλήρως συναρμολογημένο, στον αντιπρόσωπό σας ή στο επίσημο κέντρο σέρβις.

SRPSKI

OPŠTA BEZBEDNOSNA UPOZORENJA

Pročitajte i razumete uputstvo ovog vlasnika pre rada ove jedinice. Možete da sprečite nezgode tako što ćete biti upoznati sa kontrolama proizvoda i pridržavanjem bezbednih operativnih procedura i bezbednosnih znakova. Ne izlažite jedinicu prekomernoj vlazi, prašini, prljavštini ili korozivnim isparenjama. Nikada ne pokušavajte da izmenite proizvod. Uvek koristite zdrav razum da izbegnete sve situacije koje se smatraju izvan vaše mogućnosti. Nemojte koristiti jedinicu dok ste umorni ili pod uticajem droga, alkohola ili bilo kojih drugih lekova. Držite decu i prolaznike podalje dok operišu (Sl. 6). Nikada ne dozvolite deci ili ljudima koji nisu upoznati sa ovim uputstvima da koriste mašinu. Lokalni zakoni mogu da ograniče minimalnu starost operatera. Imajte na umu da je operater ili korisnik odgovoran za nezgode ili neočekivane događaje koji se dešavaju drugim osobama ili njihovoj imovini. Posavetujte se sa ovlašćenim dilerom za rastav i uslugu, koja nije obuhvaćena ovim uputstvom.

OPASNOSTI OD UGLJEN-MONOKSIDA

Radimo samo napolju. Nikada ne počinjajte motor u zatvorenom prostoru dok iscrpljuje otrovni ugljen-monoksid, bez mirisa i bezbojni gas. Udisanje ugljen-monoksida izazvaće mučninu, nesvesticu ili smrt.

OPASNOSTI OD POŽARA I OPEKOTINA

Ne koristite u oblastima sa visokim rizikom od požara. Izduvni sistem postaje dovoljno vreo da zapali zapaljive materijale.

Neki delovi jedinice postaju veoma vrući tokom rada i trebalo bi da obratite pažnju da ih ne dodirujete kako biste izbegli da se opečete. Ostavite da se ohladi pre skladištenja.

Nikad ne ruži blizu jedinice. Potencijalne izvore vatre ili iskre treba držati podalje. Obratite pažnju na opasnosti od požara prilikom dopune goriva jedinici. Ako dođe do požara, koristite odgovarajući protivpožarni aparat posebno dizajniran za požar nafte i benzina.

OPASNOSTI OD GORIVA I NAFTE

Benzin i nafta su otrovni i zapaljivi. Sledite uputstva koja je obezbedio svaki proizvođač pre upotrebe.

Uverite se da postoji određeno rastojanje između bilo kog rezervnog rezervoara benzina i jedinice, kako bi se sprečila nepotrebna opasnost. Gorivo je samo napolju u dobro provetrenoj oblasti sa isključenim motorom. Nemojte puniti gorivo tokom operacije. Ne preteruj sa rezervoarom. Nikad ne ruži blizu benzina. Drži izvore vatre i varnice dalje. Uvek skladištite benzin u odobrenim kontejnerima. Pobrinite se da bilo koje i svo prosuto gorivo i ulje budu izbrisani pre nego što upalite motor.

Polako otvorite rezervoar za gorivo kako biste omogućili da se pritisak unutra smanjuje postepeno.

ZAŠTITNA OPREMA

Uvek nosite odgovarajuću i sertifikovanu zaštitnu opremu prilikom rada jedinice.

Uvek nosite adekvatnu odeću koja ne sputava pokrete prilikom korišćenja mašine. Uvek nosite tanku zaštitnu odeću, kacigu, antibiacione rukavice, zaštitne naočare, respirator sa polu maskiranim maskama, akustičnu zaštitnu opremu i anti-shear sigurnosne čizme sa neklizajućim đonom. Nikada ne nosite maramu, košulje, ogrlice ili bilo kakav pribor za vešanje ili lepršanje koji bi mogao da se uhvati u mašini. Veћи kosu ako je dugaika. Masku za disanje treba koristiti kada postoji rizik od prašine.

KATEGORIJA BEZBEDNOSNA UPOZORENJA

ABEZBEDAN RAD

Okidač gasa mora slobodno da se kreće, ne sme da mu bude potrebno forsiranje i trebalo bi da se automatski i brzo vrati u neutralnu poziciju.

Kvaka prekidača za zaustavljanje motora mora lako da se kreće sa jedne pozicije na drugu.

Električni kablovi i posebno kabl za svećice moraju biti u savršenom stanju da bi se izbegla generacija bilo kakvih varnica, a kapa mora biti pravilno uklopljena na svećice.

Mašinski ručni uređaji i uređaji za zaštitu moraju biti čisti i suvi i dobro pričvršćeni za mašinu.

Nemojte montirati opremu ili pribor na mašinu koja nije predviđena ili odobrena od strane proizvođača. Neovlašćene izmene i/ili pribor mogu rezultirati ozbiljnim ličnim povredama ili smrću operatera ili drugih osoba.

Preporučuje se da noge i stopala budu pokriveni kako bi se zaštitili od letećih ostataka tokom operacije.

Uvek koristite odgovarajuće ručke i kaiševe za ramena prilikom rada.

Uverite se da ste zaustavili motor:

- Prilikom montaže ili uklanjanja pribora.
- Kad god ostavite mašinu bez nadzora ili kad god nameravate da je odmorite na zemlji.
- Tokom dopune goriva.
- Kada se krećete između radnih oblasti.

UPOZORENJE: Rotirajući delovi mogu izazvati ozbiljne povrede, izbegavati kontakt sa rotirajućim delovima dok su još u rotaciji. U slučaju da se strano telo zaglavilo na mašini, isključite motor, pregledate mašinu da li ima oštećenja i izvršite popravke pre nego što ga ponovo upalite.

UPOZORENJE: Nikada ne dirajte glavu za sečenje kada motor radi.

UPOZORENJE: Ako se nešto pokvari ili dođe do nezgode dok radite, odmah isključite motor i udaljite mašinu kako biste sprečili dalje oštećenje.

Nivoi buke i vibracija prikazani u ovim uputstvima su maksimalni nivoi za korišćenje mašine. Nedovoljno održavanje ima značajan uticaj na vibracije i emisiju buke. Shodno tome, neophodno je preduzeti preventivne korake kako bi se eliminisala moguća oštećenja usled visokog nivoa buke i stresa od vibracija. Dobro održavajte mašinu, nosite uređaje za zaštitu ušiju i napravite

pauze dok radite. Upravljanje mašinom stabilnom brzinom i čvrsto prijanjanje drške odgovarajućom silom može da smanji nivo vibracija. Niska brzina motora podrazumeva nizak nivo buke, zato upravljajte mašinom najnižom brzinom motora neophodnom za obavljanje zadatka. Tokom radnog dana pravićete česte i adekvatne pauze kako biste sprečili oštećenje vibracija i oštećenja ušiju. Produžena izloženost vibracijama može da izazove povrede i neurovaskularne poremećaje (koji se nazivaju i "Rejnaudov sindrom" ili "bela ruka"), posebno kod ljudi koji pate od poremećaja cirkulacije. Simptomi mogu da se odnose na ruke, zglobove i prste i pokazuju se kroz gubitak osetljivosti, torpora, svraba, bola i obeshralenosti ili strukturnih promena na koži. Ovi efekti se mogu pogoršati niskim ambijentalnim temperaturama i/ili prekomernim zatezanjem ručnih ruku. Ukoliko dođe do pojave simptoma, dužina trajanja upotrebe aparata mora biti smanjena i konsultovan je lekar.

OPASNOSTI U RADNOJ OBLASTI

Temeljno pregledajte ceo radni prostor i koristite četkicu za grabulje ili dvorište kako biste ručno olabavili ostatke i uklonili sve što bi mašina mogla da projektuje i postane opasan izvor (kamenje, grane, gvozdene žica, kosti itd.) ili se može zapletiti u glavu za sečenje. Proverite da nema prolaznika ili kućnih ljubimaca u krugu od najmanje 15 metara od dometa mašine (Sl. 6).

Ne usmeravajte prigušivač a samim tim i izduvna isparenja prema zapaljivim materijalima.

Uvek proverite da li postoje objekti koji mogu da blokiraju ekran za unos vazduha pre nego što počinju sa radom. Zapušeni unos vazduha smanjuje performanse mašine i povećava radnu temperaturu motora, što može rezultirati kvarom motora. Ne upravljajte motorom u zatvorenom prostoru gde mogu da se razviju opasna isparenja ugljen-monoksida. Ne upravljaj mašinom blizu otvorenih prozora.

Radite samo po dnevnom svetlu ili sa dobrim veštačkim svetlom u dobrim uslovima vidljivosti. Pokušajte da ne izazovete nikakve smetnje. Koristite ovu mašinu samo u razumno doba dana (ne rano ujutru ili kasno uveče kada buka može da izazove smetnje).

Kada radite u suvim prašnjavim uslovima zemljišta, preporučuje se blago ovlaživanje površine i / ili korišćenje odgovarajuće maske za prašinu.

Zauzmu čvrstu i dobro izbalansiranu poziciju. Gde je to moguće, izbegavajte rad na vlažnom, klizavom terenu ili u svakom slučaju na neravnomernom ili strmom terenu koji operateru ne garantuje stabilnost.

SPECIFIKACIJE PROIZVODA

NAMENJENA UPOTREBA

Ova mašina je projektovana i proizvedena za sečenje trave i rast npr.

Svaka druga upotreba koja se razlikuje od gore navedenih može biti opasna, naneti štetu ljudima i/ili oštetiti stvari i mašinu.

NEPRAVILNA UPOTREBA

Mašina ne sme da se koristi za sečenje opasnih materija, npr. akumulacija zapaljivih ili eksplozivnih proizvoda, upaljene cigarete, komade stakla, oštre predmete, metalne predmete, kamenje i bilo koji drugi predmet koji bi mogao da bude opasan po operatera i druge.

Primeri nepravilne upotrebe mogu da uključuju, ali nisu ograničeni na:

- Ciljanje glave sečenja prema osobama i/li životinjama;
- Korišćenje mašine bez pribora koji je proizvođač posebno obezbedio za određenu upotrebu ili korišćenje pribora na način koji nije namenjen ovim uputstvima;
- Korišćenje mašine od strane više osoba.

TEHNIČKI PODACI

Broj članka		45 561	47 591
Model		GBC 252C PLUS	GBC 254C PLUS
Premeštanje cilindra	cc	52	54
Brzina dokoni	rpm	3.100 ± 400	3.100 ± 400
Maksimalna snaga motora	kw / hp	1,4 / 1,9	1,8 / 2,4
Maksimalna brzina motora	rpm	9.000	9.000
Brzina izlaznog okna	rpm	8.250	8.250
Svećica		NGK BPMR7A	NGK BPMR7A
Razmak između elektroda	mm	0,6-0,7	0,6-0,7
Kapacitet rezervoara za gorivo	L	1,2	1,2
Težina bez goriva, rezanje atašea i čuvara	kg	7,8	7,8
Emisije buke			
Nivo napajanja zvuka, izmeren	dB (A)	98,7	98,7
Neizvesnost	dB (A)	3	3
Nivo napajanja zvuka, garantovano	dB (A)	114	114
Ekvivalentni nivoi vibracija			
Izmeren nivo vibracije na dršci	m/s ²	8,03	8,03
Neizvesnost	m/s ²	1,5	1,5
Pribor			
Trimer glava		Tapnite & Idi	Tapnite & Idi
Linija trimera, Φ	mm	2,4	2,4
Oštrica četkice	mm	255	255

IDENTIFIKACIJU

1. Kofer sa kosim menjačem
2. Najlon rezač glave
3. Krhotine štít
4. Kontrola gasa
5. Tačka upregnute kuke
6. Kvačilo
7. Motor
8. Kvača za podešavanje drške
9. Regulator tipa bicikla
10. Okno pogona
11. Početak trzaja
12. Kapa rezervoara za gorivo
13. Rezervoar za gorivo
14. Uguši se
15. Sredstvo za čišćenje vazduha

OPERACIJA

PREOPERACIJA

Raspakivanje i dovršavanje montaže treba uraditi na ravnoj i stabilnoj površini, sa dovoljno prostora za premeštanje mašine i njene ambalaže, uvek koristeći odgovarajuću opremu. Instalirajte dršku u zagradu tako što ćete dršku postaviti u udoban položaj i zategnuti četiri šrafa. Instalirajte štít od krhovina na okno sa obezbeđenom zagradom i šrafovima. Zategnite zavrtanje nakon pozicioniranja sigurnosne zgrade na odgovarajućem položaju.

INSTALIRANJE SEČIVA

Da biste instalirali sečivo za sečenje (Sl. 3):

1. Ubacite heksa-ključ (2) u specifičnu rupu u prenosu ugla (1) i ručno rotirajte sečivo (4) dok heksa-ključ ne uđe u unutrašnju rupu, blokirajući rotaciju.
2. Otvrnite orah (7) u smeru kazaljke na satu i uklonite navlaka (6).
3. Izvucite van ring-orah (5) i uklonite sečivo (4).
4. Uverite se da se žlebovi u unutrašnjem ring-orahu (3) savršeno slažu sa prenosom ugla (1).
5. Uklopote sečivo (4) i vanseriji prsten-orah (5).
6. Prefinite navlaku (6) i orah (7), potpuno je zategnite u smeru kazaljke na satu.
7. Uklonite heksa-ključ (2).

UPOZORENJE: Nosite zaštitne rukavice kada odgovarate sečivu kako ne biste bili povređeni.

UPOZORENJE: Preterana vibracija sečiva može da znači da se ne uklapa i može da izazove kvar mašine i / ili povrede. Odmah zaustavite motor i proverite instalaciju sečiva.

INSTALIRANJE NAJLONSKE GLAVE

Da biste instalirali najlonsku glavu (Sl. 4):

1. Ubacite heksa-ključ (2) u specifičnu rupu u prenosu ugla (1) i ručno rotirajte glavu linije sečenja (4) dok heksa-ključ ne uđe u unutrašnju rupu, blokirajući rotaciju.
2. Otvrnite glavu linije za sečenje (4) u smeru kretanja kazaljke na satu i uklonite je.
3. Izvucite vanseriji ring-nut (5).
4. Uverite se da se žlebovi u unutrašnjem ring-

- orahu (3) savršeno slažu sa prenosom ugla (1).
5. Uklopote vanseriji ring-nut (5).
6. Uklopote glavu linije sečenja (4) koja je vezna u smeru kazaljke na satu.
7. Uklonite heksa-ključ (2).

NAPOMENA: Zamena najlonske linije glave odnosi se na Sl. 5.

UPOZORENJE: Koristite samo kvalitetnu najlonsku monofilament liniju prečnika 2,5mm. Nikada ne koristite žicu ili žičano ojačanu liniju umesto najlon trimer linije. Natovarite najlonsku liniju sečenjem glave samo najlon trimer linijom odgovarajućeg prečnika.

KORISTEĆI UZDE RAMENA

Da biste koristili uzde ramena:

1. Sastavite i podesite uzde ramena i kaiša, kao što je prikazano u Sl. 6.
2. Okačite tab za rezanje na udicu za uzde.
3. Ako trimer ne balansira, onda podesite vešalica za uzde, i ručicu, dok trimer za travu ne uravnoteži.

UPOZORENJE: Udica se nalazi na desnom kuku, a reza za brzo oslobađanje se nalazi spolja. Brzo se znali kako da otkačite jedinicu od upregnuća pre nego što upravljate jedinicom, tako što ćete povući karticu za brzo otpušavanje rezanja nagore.

UPOZORENJE: Držite čvrsto stisak obema rukama prilikom rada tako što ćete držati jedinicu sa desnom rukom na ručici okidača i levom rukom na levoj dršci.

Pre početka rada molimo vas da:

1. Proverite da li su svi zavrtnji, orasi i fitting na mašini čvrsto pričvršćeni.
2. Proverite da li je filter vazduha čist i čist ili zamenite novim ako je potrebno.
3. Pripremite pribor i uverite se da su pravilno montirani.
4. Proverite da li je zaštitnik bezbedno na mestu.
5. Napunite gorivom kao što je dole naznačeno i uverite se da nema curenja goriva.
6. Proverite da li je najlonska glava ili sečivo oštećeno.

GORIVO I PODMAZIVANJE

UPOZORENJE: Nikada ne pušite dok dopunjavate gorivo i izbegavajte udisanje benzinskih isparenja.

Jedinica je opremljena motorom od 2 poteza. Zato se uvek mora koristiti mešavina bezolovanog benzina (od 89 oktana ili više) i ulja od 2 poteza. Koristite samo benzin koji ne sadrži etanol ili metanol. Veoma je važno da obratite pažnju na smesu za gorivo koju koristite, pošto se mora dobiti tačna mešavina ulja i goriva. Male količine mešavine ulja i goriva sa malim netačnostima, mogu da utiču na odnos mešavine, što može dovesti do prejedanja motora i ozbiljnih oštećenja u motoru. Preporučuje se da pomešate samo količinu potrebnu za posao koji ćete obaviti, kako biste zadržali samo svežu smesu.

UPOZORENJE: Pažljivo otvorite vrh rezervoara jer je unutra mogao da se formira pritisak.

Posebno formulisano ulje od 2 poteza za vazdušno ohlađene motore od 2 poteza mora da se koristi. Nemojte koristiti ulje od 2 poteza namenjeno motorima za hlađenje vode. Nikada ne koristite loš kvalitet ulja ili ulje motora sa 4 poteza.

Za najbolje rezultate i performanse, odnos mešanja benzina prema nafti je 30:1.

Uvek koristite čistu posudu za gorivo pre mešanja goriva. Temeljno izmešajte i promućkajte smesu za gorivo, pre nego što napunite rezervoar mašine za gorivo. Nemojte koristiti smesu za gorivo koja se čuva duže od mesec dana. Rezervoar mašine mora biti ispražnjen pre skladištenja.

Uvek koristite levak da napunite mašinu.

Ne pre naglašavanje. Ostavite minimum 5 mm prostora između vrha smese za ulje goriva i unutrašnje ivice rezervoara da biste omogućili proširenje. Preporučuje se da napunite rezervoar do 3/4 njegovog punog potencijala.

UPOZORENJE: Uvek čvrsto zatvorite poklopac rezervoara za gorivo.

POKRETANJE JEDINICE

1. Premestite prekidač za paljenje na poziciju "START".
2. Nežno gurajte na prajmer pumpi više puta (7-10 puta) dok gorivo ne dođe u pumpu za prajmer.
3. U slučaju hladnog početka: Povucite ručicu gušenja da zatvorite gušenje.
4. Pomerite okidač gasa i držite ga na poziciji sa bravom gasa (ako je prisutna).
5. Povucite trzaj start dok se motor ne upali. Ako se trzaj više puta povuče sa upaljenim gušenjem, može da poplavi motor i oteža pokretanje. Ako ste poplaviли motor, uklonite svećice i nežno povucite dršku na starter konopcu kako biste eliminisali bilo kakav višak goriva. Zatim promenite položaj suve iskre i pokušajte ponovo.

UPOZORENJE: Da biste izbegli razbijanje početnog konopca, nemojte ga povlačiti celom dužinom ili pustiti da klizi duž ivice rupe vodiča za kablovsku televiziju. Oslobodite startera postepeno, kako biste izbegli da nekontrolisano odleti nazad.

6. Kada je motor upaljen i dokonio vratite ručicu gušenja nazad da biste otvorili gušenje.
7. Odščastite gasnu bravu (ako je prisutna) pritiskajući nakratko okidač gasa.
8. Dozvolite motoru da se zagreje nekoliko minuta pre upotrebe.

NAPOMENA: Kada je motor vruć gušenje treba da ostane na "RUN" poziciji sve vreme.

UPRAVLJANJE JEDINICOM

Glava sečenja se okreće u smeru suprotnom od kazaljke na satu. Odsečeni nož za trimmer liniju nalazi se na desnoj strani štita od krhotina.

Za skoro sve sečenje linije glave preporučuje se naginjanje linije glave tako da se kontakt pravi na delu kruga linije koji se kreće od vas i štita od krhotina. To će rezultirati da sve krhotine budu preusmerene od vas. Ako sečete do barijere kao što su ograda, zid ili drvo, pridite iz ugla kao što je rikošet bilo koji leteci ostatak daleko od vas.

UPOZORENJE: Nemojte seći tamo gde ne možete da vidite šta alatka za sečenje seče.

Sečivo se koristi za sečenje rasta do 3/4" u prečniku.

UPOZORENJE: Ne koristite sečkač četkice za sečenje stabala koja premašuju 1/2" do 3/4" u prečniku.

UPOZORENJE: Uvek budite svesni potiska sečiva. Potisak sečiva je reakcija koja se može javiti kada sečivo koje se okreće kontaktira bilo šta što ne može da preseče; uzrokujući da se sečivo zaustavi na trenutak i izazove silu koja bi mogla da udalji seča četkice od kontaktirane prepreke.

ZAUSTAVLJANJE JEDINICE

1. Oslobodite ruku od kontrole gasa. Dozvolite motoru da se ohladi tako što ćete trčati u levkanju 2-3 minuta.
2. Ako je vaša jedinica opremljena prolećno učitanim Prekidačem za uključivanje/isključivanje, pritisnite i držite dugme na "O" poziciji dok se motor ne zaustavi. U suprotnom, pritisnite prekidač na poziciju "Off".

ODRŽAVANJE I ČIŠĆENJE

UPOZORENJE: Nikada ne radite održavanje ili čišćenje sa pokrenutom jedinicom. Uvek radi na kul jedinici.

UPOZORENJE: Pre čišćenja ili obavljanja radova na održavanju, isključite zatvarač svećice i pročitajte relevantna uputstva. Nosite odgovarajuću odeću i zaštitne rukavice kad god su vam ruke u opasnosti.

Sve korekcije ili operacije održavanja koje nisu opisane u ovom uputstvu moraju da izvrše Vaš Diler ili specijalizovani servisni centar sa potrebnim znanjem i opremom kako bi se osiguralo pravilno održavanje prvobitnog nivoa bezbednosti mašine. Sve operacije koje se obavljaju u neovlašćenim centrima ili od strane nekvalifikovanih lica potpuno će poništiti garanciju i sve obaveze i odgovornosti Proizvođača.

Držite sve oruđe i šrafove čvrsto da biste bili sigurni da je mašina uvek u bezbednom radnom stanju. Rutinsko održavanje je od suštinskog značaja za bezbednost i održavanje visokog nivoa performansi.

UPOZORENJE: Nikada ne koristite mašinu sa istrošenim ili oštećenim delovima. Neispravni ili istrošeni delovi uvek moraju biti zamenjeni, a ne popravljani. Koristite samo originalne rezervne delove.

Stavke		Frekvenciju				
		Before each use	Tokom svakog prestanka dopune goriva	Nakon svake upotrebe	Svake nedelje ili svakih 10 hr operacije	Svakog meseca ili svakih 50 hr operacije
Kompletna jedinica	Vizuelna izpekcija	✓	✓	✓		
	čišćenje			✓		
Regulatori kontrole	Proverite	✓	✓	✓		

Stavke	Frekvenciju						
		Before each use	Tokom svakog prestanka dopune goriva	Nakon svake upotrebe	Svake nedelje ili svakih 10 hr operacije	Svakog meseca ili svakih 50 hr operacije	Every 12 months or every 100 hrs of operation
Filter vazduha	Provera i čišćenje			√*	√*		
	Zameni					√	
Svećica	Provera i podešavanje				√*		
	Zameni						√
Filter za gorivo	čišćenje					√*	
	Zameni						√
Karbura-tor	Provera u nudli			√			
	Usluga						√**
Mast za opremu za kosine	Provera i popunjavanje				√		
Cev za gorivo	Proverite						√**
Ulici za hlađenje	Provera i čišćenje	√	√	√			
Oprema za sečenje	Proverite	√	√	√			
Stražar za sečenje	Proverite	√	√	√			
Uzde	Proverite	√	√	√			
*Ove stavke treba zameniti ako je potrebno.							
**Ove predmete treba održavati i popravljati samo ovlašćeni diler, koji imaju odgovarajuće alate i potrebnu mehaničku stručnost.							

IZDUVNI PORT I PRIGUŠIVAČ

U zavisnosti od vrste korišćenog odnosa goriva i mešavine i uslova rada, izduvni priključak i prigušivač mogu postati blokirani zbog naslaga ugljenika. Ako primetite gubitak napajanja prilikom rada jedinice, pogledajte kvalifikovani servisni centar da biste održali jedinicu.

FILTER VAZDUHA

- Odvrnite šraf sa navlaka filtera za vazduh i uklonite poklopac.
- Uverite se da je filter vazduha oslobođen prljavštine i da je u dobrom stanju.
- Ako je filter vazduha prljav, uklonite ga i očistite.
- Penasti element operite u rastvoru kućnog deterdženta i mlake vode, zatim temeljno isperite, ili operite u neklamantnom ili visokom rastvaračima fleš tačaka.

- Nežno iscedite filter ulja. Dozvolite penastom elementu da se temeljno osuši.
- Potopite penasti element u čisto ulje motora i nežno iscedite bilo koji višak ulja. Motor će pušiti tokom početnog pokretanja ako ostane previše ulja u penastom elementu.
- Ponovo instalirajte filter vazduha i sledite obrnutu proceduru da biste ponovo vratili poklopac filtera vazduha.

NAPOMENA: Ako motor često radi pod prašnjavim ili drugim teškim okolnostima, očistite element filtera vazduha na svakih 10 sati. Ako je potrebno, menjajte element filtera vazduha na svakih 25 sati.

NAPOMENA: Nagomilana prašina u filteru vazduha smanjuje efikasnost motora, što će rezultirati gubitkom snage i velikom potrošnjom goriva.

SVEĆICA

- Uklonite kabl svećice da biste pristupili sveći.
- Koristite odgovarajući alat za svećice da biste pažljivo uklonili svećice.
- Proverite stanje svećice i njene elektrode.
- Mora biti čista i ne nošena.
- Proverite da li je razmak svećica između 0,6 i 0,7mm (Sl. 8). Zamenite svećice novim ako je potrebno.
- Pažljivo navucite svećicu u motor ručno.
- Kada se ošiša, koristite odgovarajući alat za svećice da biste čvrsto zategli svećicu.
- Ponovo pričvrstite žicu za svećice.

UPOZORENJE: Nikada ne dozvolite prljavštini ili krhotinama da uđu u dosadu cilindra. Pre uklanjanja svećice temeljno očistite svećicu i područje glave cilindra.

OPREMA ZA KOSINE

Mast od kosine treba dopunjavati novom mašću na bazi litijuma na svakih 30 do 40 sati rada kao što je prikazano u Sl. 9. Uklonite šraf irač. Hranite mast tako što ćete istovremeno okretati okno ručno dok masnoća ne izađe iz rupe. Onda prepravi šraf i već.

ČIŠĆENJE

Koristite malu meku četku za čišćenje spoljašnjosti jedinice. Ne koristite jake deterdžente. Čistači domaćinstava koji sadrže aromatična ulja kao što su bor i limun i rastvarači kao što je kerozin mogu da oštete plastična kućište ili dršku. Obrišite svaku vlagu mekom krpom.

TRANSPORT

Motor bi trebalo da bude isključen kada se jedinica premešta između radnih oblasti.

UPOZORENJE: Nakon što se motor zaustavio, prigušivač je još uvek vruć. Ne dirajte.

Ispraznite rezervoar za gorivo i obezbedite jedinicu za kretanje pre transporta vozilom.

Ako je sečivo uklopljeno, uvek koristite čuvar sečiva. Uvek stavite čuvar sečiva na sečivo kada jedinica nije u upotrebi i ne zaboravite da uklonite čuvar sečiva pre nego što ponovo upotrebite jedinicu.

SKLADIŠTENJE

UPOZORENJE: Nikada ne skladištite jedinicu sa gorivom u rezervoaru i uvek dozvolite jedinici da se ohladi pre skladištenja.

UPOZORENJE: Jedinicu čuvajte samo u suvim i dobro provetrenim delovima.

U slučaju da će jedinica biti uskladištena duže vreme, koristite sledeću proceduru skladištenja:

1. Iscedite svo gorivo iz rezervoara za gorivo.
2. Upalite motor i dozvolite mu da radi dok ne odugovlači. Ovim se obezbeđuje da se svo gorivo iscedi iz karburatora.
3. Dozvolite motoru da se ohladi.
4. Uklonite svećicu i stavite 30 ml visokokvalitetnog motornog ulja ili 2-potezno ulje u cilindar. Povucite starter kanap polako da distribuirate ulje.
5. Ponovo instalirajte svećice.
6. Temeljno očistite jedinicu i proverite da li ima labavih ili oštećenih delova. Popravite ili zamenite oštećene delove i zategnite labave šrafove, orahe ili šrafove.

ZAŠTITA ŽIVOTNE SREDINE

Reciklirajte sirovine umesto da odlažete kao otpad. Mašina, pribor i ambalaža treba da se sortiraju za reciklažu pogodnu za životnu sredinu. Plastične komponente su označene za kategorizovanu reciklažu.

GARANCIJE

Ovaj proizvod je garantovan u skladu sa zakonskim / državnim propisima, koji stupaju na snagu od dana kupovine od strane prvog korisnika. Šteta koja se može pripisati normalnom habanomu i cedanju, preopterećenju ili nepravilnom rukovanju biće isključena iz garancije. U slučaju zahteva, pošaljite mašinu, potpuno okupljenu, vašem dileru ili zvaničnom servisnom centru.

HRVATSKI

OPĆA SIGURNOSNA UPOZORENJA

Pročitajte i razumijete priručnik ovog vlasnika prije nego što upravljate ovom jedinicom. Možete spriječiti nesreće tako što ćete biti upoznati s kontrolama proizvoda i promatranjem sigurnih operativnih postupaka i sigurnosnih znakova. Nemojte izlagati jedinicu prekomjernoj vlazi, prašini, prljavštini ili korozivnim parama. Nikada ne pokušavajte modificirati proizvod. Uvijek koristite zdrav razum kako biste izbjegli sve situacije koje se smatraju izvan vaših mogućnosti. Nemojte koristiti jedinicu dok ste umorni ili pod utjecajem droga, alkohola ili bilo kojeg drugog lijeka. Držite djecu i prolaznike podalje dok rade (Sl. 6). Nikada ne dopustite djeci ili osobama koje nisu upoznate s ovim uputama da koriste stroj. Lokalni zakoni mogu ograničiti minimalnu dob operatera. Imajte na umu da je operater ili korisnik odgovoran za nesreće ili neočekivane događaje koji se događaju drugim osobama ili njihovoj imovini. Posavjetujte se s ovlaštenim trgovcem za raščlambu i servis, koji nije obuhvaćen ovim priručnikom.

OPASNOSTI OD UGLJIČNOG MONOKSIDA

Radi samo na otvorenom. Nikada ne pomjerite motor u zatvorenom prostoru jer ispušta otrovni ugljični monoksid, plin bez mirisa i bezbojnog plina. Udisanje ugljičnog monoksida uzrokovat će mučninu, nesvjesticu ili smrt.

OPASNOST OD POŽARA I OPEKLINA

Nemojte se koristiti u područjima s visokim rizikom od požara. Ispušni sustav postaje dovoljno vruć da zapali zapaljive materijale.

Unele părți ale unității devin foarte calde în timpul funcționării și ar trebui să acordați atenție să nu le atingeți pentru a evita arderea. Lăsați-l să se răcească înainte de a-l depozita.

Nikad ne puši blizu jedinice. Potencijalne izvore vatre ili iskre treba držati podalje. Obratite pozornost na opasnost od požara prilikom točenja goriva u jedinicu. Ako dođe do požara, koristite odgovarajući aparat za gašenje požara posebno dizajniran za vatra ulja i benzina.

OPASNOSTI OD GORIVA I ULJA

Benzin i ulje su otrovni i zapaljivi. Slijedite upute koje je dao svaki proizvođač prije uporabe.

Pobrinite se da postoji određena udaljenost između bilo kojeg rezervnog spremnika benzina i jedinice, kako biste spriječili nepotrebnu opasnost. Napunite gorivo samo na otvorenom u dobro prozračenoj površini bez motora. Nemojte točiti gorivo tijekom operacije. Nemojte prepuniti spremnik goriva. Nikad ne puši blizu benzina. Držite izvore vatre i iskre daleko. Benzin uvijek čuvajte u odobrenim spremnicima. Pobrinite se da sve proliveno gorivo i ulje bude izbrisano prije pokretanja motora.

Polako otvorite spremnik goriva kako bi se tlak iznutra postupno smanjivao.

ZAŠTITNA OPREMA

Prilikom rada jedinice uvijek nosite odgovarajuću i certificiranu zaštitnu opremu.

Uvijek nosite odgovarajuću odjeću koja ne ometa pokrete pri korištenju stroja. Uvijek nosite tanku zaštitnu odjeću, kacigu, rukavice protiv vibracija, zaštitne naočale, respirator s pola maske, opremu za akustičnu zaštitu i anti-smicanje sigurnosnih čizama s neklizajućim potplatima. Nikada ne nosite šalove, košulje, ogrlice ili bilo koji viseći ili lepršavi dodatak koji bi mogao uhvatiti u stroju. Zaveže kosu ako je duga. Masku za disanje treba koristiti kada postoji opasnost od prašine.

SIGURNOSNA UPOZORENJA KATEGORIJE

SIGURAN RAD

Okidač gasa mora se slobodno kretati, ne smije treba forsirati i trebao bi se automatski i brzo vratiti u neutralni položaj.

Gumb prekidača za zaustavljanje motora mora se lako pomicati iz jednog položaja u drugi.

Električni kabeli, a posebno kabel svjećice moraju biti u savršenom stanju kako bi se izbjegla generacija iskre, a kapa mora biti ispravno postavljena na svjećici.

Strojni ručni materijali i uređaji za zaštitu moraju biti čisti i suhi i dobro pričvršćeni na stroj.

Nemojte montirati opremu ili pribor na stroj koji proizvođač nije predvidio ili odobrio. Neodobrane izmjene i/ili pribor mogu rezultirati ozbiljnim tjelesnim ozljedama ili smrću operatera ili drugih. Preporučuje se da su noge i stopala pokriveni kako bi se zaštitili od letećih ostataka tijekom rada.

Prilikom rada uvijek koristite odgovarajuće ručke i naramenice.

Provjerite jeste li zaustavili motor:

- Prilikom montaže ili uklanjanja dodatne opreme.
- Kad god ostavite stroj bez nadzora ili kad god ga namjeravate odmoriti na tlu.
- Tijekom točenja goriva.
- Prilikom kretanja između radnih područja.

UPOZORENJE: Rotirajući dijelovi mogu uzrokovati ozbiljne ozljede, izbjegavajte kontaktiranje rotirajućih dijelova dok su još u rotaciji. U slučaju da je strano tijelo zapelo na stroju, isključite motor, pregledajte stroj za bilo kakva oštećenja i napravite popravke prije ponovnog pokretanja.

UPOZORENJE: Nikada ne dirajte glavu za rezanje kada motor radi.

UPOZORENJE: Ako se nešto pokvari ili se dogodi nesreća tijekom rada, odmah isključite motor i pomaknite stroj kako biste spriječili daljnja oštećenja.

Razine buke i vibracija prikazane u ovim uputama maksimalne su razine za korištenje stroja. Nedovoljno održavanje ima značajan utjecaj na vibracije i emisije buke. Slijedom toga, potrebno je poduzeti preventivne korake kako bi se uklonila moguća oštećenja zbog visoke razine buke i stresa od vibracija. Dobro održavajte stroj, nosite uređaje za zaštitu uha i radite pauze tijekom rada. Upravljanje strojem stabilnom brzinom i čvrsto priranje ručke odgovarajućom silom može smanjiti razinu vibracija. Niska brzina motora znači nisku razinu buke, stoga upravljajte strojem pri najnižoj brzini motora potrebnog za

obavljanje zadatka. Tijekom radnog dana napravite česte i adekvatne pauze kako biste spriječili oštećenje vibracija i oštećenja ušiju. Dugotrajna izloženost vibracijama može uzrokovati ozljede i neurovaskularne poremećaje (koji se nazivaju i "Raynaudov sindrom" ili "bijela ruka"), osobito osobama koje pate od poremećaja cirkulacije. Simptomi mogu biti u vezi s rukama, zapešćima i prstima i prikazani su gubitkom osjetljivosti, torpora, svrbeža, boli i promjene boje kože ili strukturnim promjenama na koži. Ti se učinci mogu pogoršati niskim temperaturama okoline i/ili prekomjernim stezanjem ruku. Ako se simptomi pojave, potrebno je smanjiti trajanje trajanja stroja i konzultirati liječnika.

OPASNOSTI RADNOG PODRUČJA

Temeljito pregledajte cijelo radno područje i otrijebite grablje ili dvorišni kist kako biste ručno olabavili krhotine i uklonili sve što bi stroj mogao projicirati i postati opasan izvor (kamenje, grane, željezna žica, kosti itd.) ili bi se mogli zapetljati u glavu za rezanje. Provjerite da nema prolaznika ili kućnih ljubimaca u krugu od najmanje 15 metara od raspona djelovanja stroja (Sl. 6).

Ne usmjeravajte prigušivač, a time i ispušne plinove prema zapaljivim materijalima.

Uvijek provjerite ima li objekata koji mogu blokirati zaslon za usis zraka prije početka rada. Začepljeni usis zraka smanjuje performanse stroja i povećava radnu temperaturu motora, što može rezultirati kvarom motora. Nemojte upravljati motorom u skućenom prostoru gdje se mogu razviti opasne pare ugljičnog monoksida. Ne upravljajte strojem blizu otvorenih prozora.

Radite samo na dnevnom svjetlu ili s dobrim umjetnim svjetlom u uvjetima dobre vidljivosti. Pokušajte ne uzrokovati nikakve smetnje. Koristite ovaj stroj samo u razumno doba dana (ne rano ujutro ili kasno navečer kada buka može uzrokovati poremećaj).

Kada radite u suhim prašnjavim uvjetima tla, preporuča se lagano navlažiti površinu i / ili koristiti odgovarajuću masku za prašinu.

Zauzmi čvrst i uravnotežen položaj. Ako je to moguće, izbjegavajte rad na mokrom, skliskom tlu ili u svakom slučaju na neravnom ili strmom tlu koje operateru ne jamči stabilnost.

SPECIFIKACIJE PROIZVOĐA

NAMJENA

Ovaj stroj je dizajniran i proizveden za rezanje trave i rast npr na travnjacima, stazama, parkiralištima i cestama.

Svaka druga uporaba koja se razlikuje od gore navedenih može biti opasna, naštetiti ljudima i/ili oštetiti stvari i stroj.

NEPRAVILNA UPORABA

STroj se ne smije koristiti za rezanje opasnih materijala, npr.

Primjeri nepravilne uporabe mogu uključivati, ali nisu ograničeni na:

- Ciljanje glave rezanja prema osobama i/ili životinjama;

- Korištenje stroja bez dodatne opreme koju je proizvođač posebno isporučio za posebne namjene ili korištenje dodatne opreme na način koji nije predviđen ovim uputama;
- Utilizarea aparatului de către mai multe persoane.

TEHNIČKI PODACI			
Broj članka		45 561	47 591
Model		GBC 252C PLUS	GBC 254C PLUS
Pomak cilindra	cc	52	54
Brzina u praznom hodu	rpm	3.100 ± 400	3.100 ± 400
Maksimalna snaga motora	kW / hp	1,4 / 1,9	1,8 / 2,4
Maksimalna brzina motora	rpm	9.000	9.000
Brzina izlaznog vratila	rpm	8.250	8.250
Svječica		NGK BPMR7A	NGK BPMR7A
Razmak između elektroda	mm	0,6-0,7	0,6-0,7
Kapacitet rezervoara za gorivo	L	1,2	1,2
Težina bez goriva, reznog pribora i štitnika	kg	7,8	7,8
Emisije buke			
Razina zvučne snage, izmjerena	dB (A)	98,7	98,7
Nesigurnost	dB (A)	3	3
Razina zvučne snage, zajamčena	dB (A)	114	114
Ekvivalentne razine vibracija			
Izmjerena razina vibracija na ručki	m/s ²	8,03	8,03
Nesigurnost	m/s ²	1,5	1,5
Pribor			
Glava trimera		Dodirnite i idite	Dodirnite i idite
Linija trimera Φ	mm	2,4	2,4
Oštrica četke	mm	255	255

IDENTIFIKACIJA

1. Kučište konusnog mjenjača
2. Rezač za glavu od najlona
3. Štit od krotina
4. Kontrola gasa
5. Točka kuke za pojas
6. Kvačilo
7. Motor
8. Gumb za podešavanje ručke

9. Drška tipa bicikla
10. Pogonska osovina
11. Trzajni početak
12. Poklopac rezervoara za gorivo
13. Spremnik za gorivo
14. Gušiti
15. Čistač zraka

OPERACIJA

PRIPREMA

Raspakiranje i dovršavanje sklopa treba obaviti na ravnoj i stabilnoj površini, s dovoljno prostora za pomicanje stroja i njegove ambalaže, uvijek koristeći odgovarajuću opremu.

Ugradite ručku u nosač postavljanjem ručke u udoban položaj i zatezanjem četiri vijka. Ugradite štit od krotina na osovino u predviđenim nosačem i vijcima. Zategni vijke nakon pozicioniranja nosača sigurnosnog pokrova u odgovarajućem položaju.

UGRADNJA OŠTRICE

Za ugradnju oštrice za rezanje (Sl. 3):

1. Umetnite ključ od heksa (2) u određenu rupu u kutu mjenjača (1) i ručno rotirajte oštricu (4) dok ključ od heksa ne uđe u unutarnju rupu, blokirajući rotaciju.
2. Odvrnite maticu (7) u smjeru kazaljke na satu i uklonite poklopac (6).
3. Izvucite vanjsku prstenastu maticu (5) i uklonite oštricu (4).
4. Osigurajte da se utori u unutarnjem prstenastom orahu (3) savršeno podudaraju s kutnim mjenjačem (1).
5. Stane oštricu (4) i vanjsku prstenastu maticu (5).
6. Ponovno ugradite poklopac (6) i maticu (7), potpuno ga stežući u smjeru suprotnom od kazaljke na satu.
7. Uklonite ključ od heksa (2).

UPOZORENJE: Nosite zaštitne rukavice prilikom ugradnje oštrice kako biste izbjegli ozljeđine.

UPOZORENJE: Prekomjerna vibracija oštrice može značiti neobvezno uklapanje i može uzrokovati kvar stroja i / ili ozljeđe. Odmah zaustavite motor i provjerite ugradnju oštrice.

UGRADNJA NAJLONSKJE GLAVE

Za ugradnju najlonske glave (Sl. 4):

1. Umetnite ključ od heksa (2) u određenu rupu u kutu mjenjača (1) i ručno zakrenite glavu linije rezanja (4) dok ključ od heksa ne uđe u unutarnju rupu, blokirajući rotaciju.
2. Odvrnite glavu linije rezanja (4) u smjeru kazaljke na satu i uklonite je.
3. Izvucite vanjsku prstenastu maticu (5).
4. Osigurajte da se utori u unutarnjem prstenastom orahu (3) savršeno podudaraju s kutnim mjenjačem (1).
5. Uklopite vanjsku prstenastu maticu (5).
6. Stane glavu linije rezanja (4) pričvršćivanje u smjeru suprotnom od kazaljke na satu.
7. Uklonite ključ od heksa (2).

NOTE: Za zamjenu najlonske linije glave odnosi se na Sl. 5.

UPOZORENJE: Koristite samo kvalitetnu liniju monofilamenta najlona promjera 2,5 mm. Nikada ne

koristite žicu ili žičanu liniju umjesto najlonske linije trimera. Učitajte svoju najlonsku liniju rezanja glave samo najlonskom linijom trimera odgovarajućeg promjera.

KORIŠTENJE POJASA RAMENA

Za korištenje ramena pojas:

1. Sastavite i podesite pojas i pojas ramena, kao što je prikazano na Sl. 6.
2. Objesite karticu zasuna na kuku za pojas.
3. Ako trimer ne balansira, podesite vješalicu za pojaseve i upravljajte dok se trimer za travu ne uravnoteži.

UPOZORENJE: Kuka se nalazi na desnom kuku, a zasun za brzo otpuštanje nalazi se izvana. Upoznajte kako brzo otkopčati jedinicu iz pojasa brzo prije nego što upravljate jedinicom, povlačenjem kartice zasun brzog otpuštanja prema gore.

UPOZORENJE: Držite čvrsto prijanjanje s obje ruke prilikom rada držeći jedinicu desnom rukom na ručki okidača i lijevom rukom na lijevoj ručki.

Prije početka rada molimo:

1. Provjerite jesu li svi vijci, matice i pribor na stroju čvrsto pričvršćeni.
2. Provjerite je li filter zraka čist i čist ili po potrebi zamijenite novim.
3. Pripremite pribor i provjerite jesu li ispravno montirani.
4. Provjerite je li zaštitnik sigurno postavljen.
5. Napunite gorivom kao što je navedeno u nastavku i provjerite nema li curenja goriva.
6. Provjerite nije li glava ili oštrica najlona oštećena.

GORIVO I PODMAZIVANJE

UPOZORENJE: Nikada ne pušite dok točite gorivo i izbjegavajte udisanje benzinskih para.

Jedinica je opremljena 2-moždanim motorom. Stoga se uvijek mora koristiti mješavina bezolijevnog benzina (od 89 oktana ili više) i 2-moždanog ulja. Koristite samo benzin koji ne sadrži etanol ili metanol. Vrlo je važno obratiti pozornost na mješavinu goriva koju koristite, jer se mora dobiti točna mješavina ulja i goriva. Male količine mješavine ulja i goriva s malim netočnostima, mogu utjecati na omjer smjese, što može dovesti do pregrijanog motora i ozbiljnih oštećenja u motoru. Preporučuje se da pomiješate samo količinu potrebnu za posao koji ćete obaviti, kako biste zaadržali samo svježu smjesu.

UPOZORENJE: Pažljivo otvorite vrh spremnika jer se unutra mogao formirati pritisak.

Posebno formulirana 2-moždana ulja za 2-moždane motore hlađene zrakom moraju se koristiti. Nemojte koristiti 2-moždano ulje namijenjeno vodenim hlađenim motorima. Nikada ne koristite lošu kvalitetu ulja ili 4-moždanog motornog ulja.

Za najbolje rezultate i performanse omjer miješanja benzina i ulja je 30:1.

Prije miješanja goriva uvijek koristite čisti spremnik za gorivo. Pomiješajte i temeljito protresite smjesu za gorivo, prije punjenja spremnika za gorivo stroja. Nemojte koristiti mješavinu goriva pohranjenu više

od mjesec dana. Spremnik goriva stroja mora se isprazniti prije skladištenja.

Uvijek koristite lijevak za punjenje stroja.

Nemojte se previše puniti. Ostavite minimalno 5 mm prostora između vrha smjese za gorivo i unutarnjeg ruba spremnika kako biste omogućili širenje. Preporučuje se da napunite spremnik goriva do 3/4 njegovog punog potencijala.

UPOZORENJE: Uvijek čvrsto zatvorite čep spremnika za gorivo.

POKRETANJE JEDINICE

1. Pomakni prekidač za paljenje u položaj "START".
2. Nježno gurni pumpu primera više puta (7-10 puta) dok gorivo ne dođe u pumpu primera.
3. U slučaju hladnog početka: Povucite ručicu chocka prema gore kako biste zatvorili gušenje).
4. Pomakni okidač gasa i držite ga u položaju s bravom gasa (ako je prisutan).
5. Povucite start trzaja dok se motor ne pokreće. Ako se start trzaja povuče više puta s gušenjem, to može preplaviti motor i otežati pokretanje. Ako ste preplavili motor, uklonite svjećice i lagano povucite ručku na starter uzetu kako biste uklonili višak goriva. Zatim repositionirajte suhu iskrnu i ponovno pokušajte.

UPOZORENJE: Da biste izbjegli razbijanje starter uzeta, nemojte povlačiti cijelu duljinu ili ga pustite da klizi po rubu otvora kablenskog vodiča. Otpustite starter postupno, kako biste izbjegli dopuštanje da nekontrolirano leti natrag.

6. Kada se motor pokrenu i prazni hod vratite ručicu gušenja natrag kako biste otvorili prigušujuće.
7. Odsijecanje brave gasa (ako je prisutno) kratko pritiskanje okidača gasa.
8. Dopustite da se motor zagrije nekoliko minuta prije upotrebe.

IMAJTE NAODA: Kada je motor vruć, gušenje treba ostati u "RUN" položaju u svakom trenutku.

UPRAVLJANJE JEDINICOM

Glava za rezanje rotira se u smjeru kazaljke na satu. Odrezani nož za liniju trimera nalazi se na desnoj strani štita od krhotina.

Za gotovo sve rezanje linija glave preporučuje se naginjanje linije glave tako da se kontakt ostvari na dijelu linijskog kruga da se linija udaljava od vas i štita od krhotina. To će rezultirati bilo kakvim krhotinama koje će biti preusmjerene od vas. Ako režete do barijere kao što su ograda, zid ili stablo, pristupite iz kuta kao što je da odahnete od letjećih ostataka.

UPOZORENJE: Nemojte rezati tamo gdje ne možete vidjeti što alat za rezanje reže.

Oštrica se koristi za rezanje rasta do 3/4" u promjeru.

UPOZORENJE: Ne koristite rezač četkica za rezanje stabala promjera većeg od 1/2" do 3/4".

UPOZORENJE: Uvijek budite svjesni potiska oštrice. Blade potisak je reakcija koja se može pojaviti kada oštrica koja se okreće kontaktira sve što se ne može rezati; uzrokujući da se oštrica zaustavi na trenutak i izazove silu koja bi mogla gurnuti rezač četke od kontaktirane prepreke.

ZAUSTAVLJANJE JEDINICE

- Otpustite ruku od kontrole gasa. Pustite da se motor ohladi tako da radi u 2-3 minute.
- Ako je vaša jedinica opremljena prekidačem za uključivanje/isključivanje opruge, pritisnite i držite tipku na položaju "O" dok se motor ne zaustavi. Inače, gurni prekidač u položaj "Isključeno".

ODRŽAVANJE I ČIŠĆENJE

UPOZORENJE: Nikada ne radite održavanje ili čišćenje s jedinicom koja radi. Uvijek radi na cool jedinici.

UPOZORENJE: Prije čišćenja ili obavljanja radova na održavanju odspojite čep svjećice i pročitajte relevantne upute. Nosite odgovarajuću odjeću i zaštitne rukavice kad god su vam ruke ugrožene.

Sva podešavanja ili operacije održavanja koje nisu opisane u ovom priručniku mora provesti vaš dealer ili specijalizirani servisni centar s potrebnim znanjem i opremom kako bi se osiguralo da se posao obavlja ispravno održavajući izvornu razinu sigurnosti stroja. Sve operacije koje se obavljaju u neovlaštenim centrima ili od strane ne kvalificiranih osoba u potpunosti će poništiti Jamstvo i sve obveze i odgovornosti Proizvođača.

Držite sve matice i vijke čvrsto kako biste bili sigurni da je stroj uvijek u sigurnom radnom stanju. Rutinsko održavanje ključno je za sigurnost i održavanje visoke razine performansi.

UPOZORENJE: Nikada ne koristite stroj s istrošenim ili oštećenim dijelovima. Neispravni ili dotrajali dijelovi uvijek se moraju zamijeniti i ne popravljati. Koristite samo originalne rezervne dijelove.

Predmeti		Frekvencija					
		Prije svake uporabe	Tijekom svakog zaustavljanja opskrbe gorivom	Nakon svake uporabe	Swaki tjedan ili svakih 10 sati rada	Svaki mjesec ili svakih 50 sati rada	Svakih 12 mjeseci ili svakih 100 sati rada
Kompletna jedinica	Vizualna ispekcija						
	Čist						
Upravljačke ručke	Provjerite						
	Provjerite i očistite						
Filtar zraka	Zamijeniti						

Predmeti		Frekvencija					
		Prije svake uporabe	Tijekom svakog zaustavljanja opskrbe gorivom	Nakon svake uporabe	Swaki tjedan ili svakih 10 sati rada	Swaki mjesec ili svakih 50 sati rada	Svakih 12 mjeseci ili svakih 100 sati rada
Svjećica	Provjera i podešavanje						
	Zamijeniti						
Filtar goriva	Čist						
	Zamijeniti						
Karbura-tor	Provjera dokole			✓			
	Usluga						✓**
Bevel zupčanik mast	Provjerite i ispunite				✓		
Cijev za gorivo	Provjerite						✓**
Ulošci za hlađenje	Provjerite i očistite	✓	✓	✓			
Oprema za rezanje	Provjerite	✓	✓	✓			
Rezanje straže	Provjerite	✓	✓	✓			
Upregnuti	Provjerite	✓	✓	✓			

*Te stavke treba zamijeniti ako je potrebno.

**Te predmete treba održavati i popravljati samo ovlašteni trgovac, koji imaju odgovarajuće alate i potrebnu mehaničku stručnost.

ISPUŠNI PRIKLJUČAK I PRIGUŠIVAČ

Ovisno o vrsti korištenog omjera goriva i smjese te uvjetima rada, ispušni priključak i prigušivač mogu postati blokirani zbog naslaga ugljika. Ako primijetite gubitak energije prilikom rada jedinice, uputite se kvalificiranom servisu za održavanje jedinice.

FILTAR ZRAKA

- Odvrnite vijak s poklopaca filtra zraka i uklonite poklopac.
- Provjerite je li filtir zraka bez prljavštine i u dobrom stanju.
- Ako je filtir zraka prljav, uklonite ga i očistite.
- Operite element pjene u otopini deterdženta za kućanstvo i tople vode, zatim temeljito isperite ili operite u nezapaljivom ili visokom otapalu bljeskalice.
- Legano stisnite filtir ulja. Pustite da se element

pjene temeljito osuši.

- Namočite element pjene u čisto motorno ulje i lagano istisnite višak ulja. Motor će se dimiti tijekom početnog pokretanja ako je previše ulja ostalo u elementu pjene.
- Ponovno instalirajte filter zraka i slijedite obrnuti postupak kako biste ponovno vratili poklopac filtra zraka.

IMAJTE NAODA: Ako motor često radi u prašnjavim ili drugim teškim okolnostima, očistite element filtra zraka svakih 10 sati. Ako je potrebno, promijenite element filtra zraka svakih 25 sati.

IMAJTE NATEGLJENU prašinu u filtru zraka smanjit će učinkovitost motora, što će rezultirati gubitkom snage i visokom potrošnjom goriva.

SVJEĆICA

- Uklonite kabel svjeće kako biste pristupili svjeći.
- Upotrijebite odgovarajući alat za svjeće kako biste pažljivo uklonili svjeća.
- Pregledajte stanje svjeće i njezine elektrode.
- Mora biti čista i nije nošena.
- Provjerite je li razmak svjeće između 0,6 i 0,7 mm (Sl. 8). Po potrebi zamijenite svjeća novom.
- Pažljivo ručno navucite svjeća u motor.
- Nakon navoja upotrijebite odgovarajući alat za svjeće kako biste čvrsto zategnuli svjeća.
- Ponovno pričvrstite žicu svjeće.

UPOZORENJE: Nikada ne dopustite da prljavština ili krhotine uđu u cilindar. Prije uklanjanja svjeće temeljito očistite svjeća i područje glave cilindra.

BEVEL ZUPČANIK

Podmaz bevel zupčanika treba napuniti novom masnoćom na bazi litija svakih 30 do 40 sati rada kao što je prikazano na Sl. 9. Uklonite vijak i perilicu. Namažite masnoću istovremeno okrećući osovinu ručno dok masnoća ne izađe iz rupe. Zatim ponovno pričklite vijak i perilicu.

ČIŠĆENJE

Malom mekom četkom očistite vanjsku stranu jedinice. Nemojte koristiti jake deterdžente. Sredstva za čišćenje kućanstva koja sadrže aromatična ulja poput bora i limuna te otapala poput kerozina mogu oštetiti plastično kućište ili ručku. Obrisite vlagu mekom krpom.

PRIJEVOZ

Motor treba isključiti kada se jedinica premješta između radnih područja.

UPOZORENJE: Nakon što se motor zaustavi, prigušič je još uvijek vruć. Ne diraj.

Isprazni spremnik goriva i osigurajte jedinicu od kretanja prije transporta u vozilu.

Ako je oštrica ugrađena, uvijek koristite zaštitnik oštrice. Uvijek stavite zaštitnik oštrice na oštricu kada se jedinica ne koristi i ne zaboravite ukloniti zaštitnik oštrice prije ponovnog korištenja jedinice.

POHRANA

AVERTISMENT: Nu depozitați niciodată aparatul cu combustibil în rezervor și lăsați întotdeauna aparatul să se răcească înainte de depozitare.

UPOZORENJE: Jedinicu čuvajte samo u suhim i dobro prozračenim prostorima.

U slučaju da će jedinica biti pohranjena dulje vrijeme, upotrijebite sljedeći postupak pohrane:

- Ocijedite svo gorivo iz spremnika goriva.
- Pokretanje motora i dopustite mu da radi dok ne zastane. To osigurava da je svo gorivo isušeno iz karburatora.
- Pustite da se motor ohladi.
- Uklonite svjeća i u cilindar stavite 30 ml visokokvalitetnog motornog ulja ili 2-moždanog ulja. Polako povucite početno užo kako biste distribuirali ulje.
- Ponovno instalirajte svjeća.
- Temeljito očistite jedinicu i pregledajte sve labave ili oštećene dijelove. Popravite ili zamijenite oštećene dijelove i zategnite labave vijke, matice ili vijke.

ZAŠTITA OKOLIŠA

Reciklirajte sirovine umjesto odlaganja kao otpad. Stroj, pribor i ambalaža trebaju biti razvrstani za recikliranje pogodno za okoliš. Plastične komponente označene su za kategorizirano recikliranje.

JAMSTVO

Ovaj proizvod je opravdan u skladu s pravnim / zemlja specifičnim propisima, koji stupaju na snagu od datuma kupnje od strane prvog korisnika. Šteta koja se može pripisati normalnom trošenju, preopterećenju ili nepravilnom rukovanju bit će isključena iz jamstva. U slučaju potraživanja, pošaljite stroj, potpuno sastavljen, vašem trgovcu ili službenom servisnom centru.

ROMÂNĂ

AVERTISMENTE GENERALE DE SIGURANȚĂ

Citiți și înțelegeți acest manual al proprietarului înainte de a opera această unitate. Puteți ajuta la prevenirea accidentelor prin familiarizarea cu comenzile produsului dumneavoastră și prin respectarea procedurilor de operare sigure și a semnelor de siguranță. Nu expuneți aparatul la umiditate excesivă, praf, murdărie sau vapori corozivi. Nu încercați niciodată să modificați produsul. Folosiți-vă întotdeauna bunul simț pentru a evita toate situațiile considerate dincolo de capacitatea dumneavoastră. Nu utilizați aparatul în timp ce sunteți obosit sau sub influența drogurilor, alcoolului sau a oricărui alt medicament. Țineți copiii și trecătorii la distanță în timpul funcționării (Fig. 6). Nu permiteți niciodată copiilor sau persoanelor care nu sunt familiarizate cu aceste instrucțiuni să utilizeze aparatul. Legile locale pot limita vârsta minimă a operatorului. Rețineți că operatorul sau utilizatorul este responsabil pentru accidente sau evenimente neașteptate care au loc altor persoane sau proprietății acestora. Consultați distribuitorul autorizat pentru demontare și service, care nu sunt acoperite în acest manual.

PERICOLE DE MONOXID DE CARBON

Acționați numai în aer liber. Nu rulați niciodată motorul în interior, deoarece epuizează monoxidul de carbon otrăvitor, un gaz inodor și incolor. Inhalarea monoxidului de carbon va provoca greață, leșin sau deces.

PERICOL DE INCENDIU ȘI ARDERE

A nu se utiliza în zonele cu risc ridicat de incendiu. Sistemul de evacuare devine suficient de fierbinte pentru a aprinde materiale inflamabile. Unele părți ale unității devin foarte calde în timpul funcționării și ar trebui să acordeți atenție să nu le atingeți pentru a evita arderea. Lăsați-l să se răcească înainte de a-l depozita.

Nu fumați niciodată în apropierea unității. Sursele potențiale de foc sau scânteele trebuie ținute la distanță. Fiți atenți la riscurile de incendiu la realimentarea unității. În cazul producerii unui incendiu, utilizați un extingtor adecvat, special conceput pentru incendii de ulei și benzină.

PERICOLE PENTRU COMBUSTIBIL ȘI PETROL

Purtați întotdeauna echipament de protecție adecvat și certificat în timpul funcționării unității. Purtați întotdeauna îmbrăcăminte adecvată, care să nu împiedice mișcările atunci când utilizați aparatul. Purtați întotdeauna haine de protecție subțire, cască, mănuși anti-vibrații, ochelari de protecție, aparat respirator cu semimasca, echipament de protecție acustică și cizme de protecție anti-forfecare cu talpă antiderapantă. Nu purtați niciodată eșarfe, cămăși, coliere sau orice accesoriu agățat sau flapping care ar putea prinde în mașină. Leagă-ți părul dacă e lung. O mască de respirație trebuie utilizată atunci când există un risc de praf.

ECHIPAMENT DE PROTECȚIE

Purtați întotdeauna echipament de protecție adecvat și certificat în timpul funcționării unității. Purtați întotdeauna îmbrăcăminte adecvată, care să nu împiedice mișcările atunci când utilizați aparatul. Purtați întotdeauna haine de protecție subțire, cască, mănuși anti-vibrații, ochelari de protecție, aparat respirator cu semimasca, echipament de protecție acustică și cizme de protecție anti-forfecare cu talpă antiderapantă. Nu purtați niciodată eșarfe, cămăși, coliere sau orice accesoriu agățat sau flapping care ar putea prinde în mașină. Leagă-ți părul dacă e lung. O mască de respirație trebuie utilizată atunci când există un risc de praf.

AVERTISMENTE PRIVIND SIGURANȚA CATEGORIILOR

FUNCȚIONARE ÎN CONDIȚII DE SIGURANȚĂ

Declanșatorul de accelerație trebuie să se miște liber, nu trebuie să fie forțat și trebuie să revină automat și rapid înapoi în poziția neutră. Butonul comutatorului de oprire a motorului trebuie să se deplaseze cu ușurință dintr-o poziție în alta.

Cablurile electrice și, în special, cablul bujiei trebuie să fie în stare perfectă pentru a evita generarea de scântei, iar capacul trebuie să fie montat corect pe bujie.

Mănerile mașinii și dispozitivele de protecție trebuie să fie curate, uscate și bine fixate pe aparat. Nu montați echipamente sau accesorii pe aparatul care nu sunt prevăzute sau aprobate de producător. Modificările și/sau accesorii neautorizate pot duce la vătămări corporale grave sau la decesul operatorului sau al altor persoane.

Se recomandă ca picioarele și picioarele să fie acoperite pentru a se proteja de resturile zburătoare în timpul funcționării.

Utilizați întotdeauna mânerul și bretelele corespunzătoare în timpul funcționării.

Asigurați-vă că opriți motorul:

- La montarea sau îndepărtarea accesoriilor.
- Ori de câte ori lăsați aparatul nesupravegheat sau ori de câte ori intenționați să-l odihniți pe jos.
- În timpul realimentării.
- Când vă deplasați între zonele de lucru.

AVERTISMENT: Piesele rotative pot provoca răniri grave, evitați contactarea părților rotative atunci când acestea sunt încă în rotație. În cazul în care corpul străin a fost blocat pe mașină, opriți motorul, inspectați mașina pentru eventuale deteriorări și efectuați reparații înainte de a porni din nou.

AVERTISMENT: Nu atingeți niciodată capul de tăiere când motorul funcționează.

AVERTISMENT: Dacă se rupe ceva sau se produce un accident în timpul lucrului, opriți imediat motorul și îndepărtați aparatul pentru a preveni deteriorarea ulterioară.

Nivelurile de zgomot și vibrații indicate în aceste instrucțiuni sunt nivelurile maxime de utilizare a mașinii. Întreținerea insuficientă are un impact semnificativ asupra emisiilor de vibrații și zgomot. Prin urmare, este necesar să se ia măsuri preven-

tive pentru a elimina posibilele daune cauzate de nivelurile ridicate de zgomot și stres de vibrații. Mențineți bine aparatul, purtați dispozitive de protecție a urechii și luați pauze în timpul lucrului. Funcționarea mașinii cu o viteză stabilă și prinderea fermă a mânerului cu o forță adecvată poate reduce nivelul vibrațiilor. Turația redusă a motorului înseamnă un nivel redus de zgomot, astfel încât să funcționeze mașina la cea mai mică turație a motorului necesară pentru a îndeplini sarcina. În timpul unei zile de lucru, trebuie să luați pauze frecvente și adecvate pentru a preveni deteriorarea vibrațiilor și deteriorarea urechilor. Expunerea prelungită la vibrații poate provoca leziuni și tulburări neurovasculare (de asemenea, numit "sindromul Raynaud" sau "mâna albă"), în special la persoanele care suferă de tulburări de circulație. Simptomele pot privi mâinile, încheieturile și degetele și sunt prezentate prin pierderea sensibilității, tortor, mâncărime, durere și decolorarea sau modificări structurale ale pielii. Aceste efecte pot fi agravate de temperaturile ambientale scăzute și/sau prin prinderea excesivă a mânerelor. Dacă apar simptomele, durata de utilizare a aparatului trebuie redusă și un medic consultat.

PERICOLE PENTRU ZONA DE LUCRU

Inspectați bine întreaga zonă de lucru și utilizați o greblă sau o perie de curte pentru a slăbi manual resturile și a îndepărta orice ar putea fi proiectat de mașină și a deveni o sursă periculoasă (pietre, ramuri, sârmă de fier, oase etc.) sau ar putea fi încurcată în capul de tăiere. Verificați dacă nu există trecători sau animale de companie la cel puțin 15 metri de raza de acțiune a aparatului (Fig. 6).

Nu îndreptați amortizorul de zgomot și, prin urmare, gazele de eșapament către materiale inflamabile.

Verificați întotdeauna dacă există obiecte care pot bloca ecranul de admisie a aerului înainte de a începe lucrul. Un aport de aer înfundat reduce performanța mașinii și crește temperatura de lucru a motorului, ceea ce poate duce la defectarea motorului. Nu folosiți motorul într-un spațiu închis unde se pot dezvolta vapori periculoși de monoxid de carbon. Nu folosiți aparatul lângă ferestrele deschise.

Lucrați numai pe timp de zi sau cu lumină artificială bună în condiții bune de vizibilitate. Încearcă să nu provoaci tulburări. Utilizați acest aparat numai la ore rezonabile ale zilei (nu dimineața devreme sau seara târziu, când zgomotul ar putea provoca perturbări).

Atunci când se lucrează în condiții de sol uscat prăfuit, se recomandă umezirea suprafeței ușor și / sau de a folosi o mască de praf corespunzătoare. Take on a firm and well-balanced position. Where possible, avoid working on wet, slippery ground or in any case on uneven or steep ground that does not guarantee stability for the operator.

SPECIFICAȚIILE PRODUSULUI

UTILIZAREA PREVĂZUTĂ

Această mașină a fost proiectată și fabricată pentru tăierea ierbii și creșterea, de exemplu în peluze, câi, parcuri și drumuri.

Orice altă utilizare diferită de cele menționate mai sus ar putea fi periculoasă, poate dăuna oamenilor și/sau deteriora lucrurile și mașina.

UTILIZARE NECORESPUNZĂTOARE

Mașina nu trebuie utilizată pentru tăierea materialelor periculoase, de exemplu acumularea de produse inflamabile sau explozive, țigări aprinse, bucăți de sticlă, obiecte ascuțite, obiecte metalice, pietre și orice alt obiect care ar putea fi periculos pentru operator și pentru alții.

Exemplele de utilizare necorespunzătoare pot include, dar nu se limitează la:

- Orientarea capului de tăiere spre persoane și/sau animale;
- Utilizarea aparatului fără accesoriile furnizate în mod specific de producător pentru utilizări specifice sau utilizarea accesoriilor într-un mod care nu este prevăzut în aceste instrucțiuni;
- Korištenje stroja od strane više od jedne osobe.

DATE TEHNICE

Numărul articolului		45 561	47 591
Model		GBC 252C PLUS	GBC 254C PLUS
Deplasarea cilindrului	cc	52	54
Viteza de mers în gol	rpm	3.100 ± 400	3.100 ± 400
Puterea maximă a motorului	kW / hp	1,4 / 1,9	1,8 / 2,4
Turația maximă a motorului	rpm	9.000	9.000
Viteza arborelui de ieșire	rpm	8.250	8.250
Bujie		NGK BPMR7A	NGK BPMR7A
Intervalul dintre electrozi	mm	0,6-0,7	0,6-0,7
Capacitatea rezervorului de combustibil	L	1,2	1,2
Greutate fără combustibil, accesorii de tăiere și protecție	kg	7,8	7,8

DATE TEHNICE			
Numărul articolului		45 561	47 591
Model		GBC 252C PLUS	GBC 254C PLUS
Emisii de zgomot			
Nivel de putere sonoră, măsurat	dB (A)	98,7	98,7
Incertitudine	dB (A)	3	3
Nivel de putere sonoră, garantat	dB (A)	114	114
Niveluri de vibrații echivalente			
Nivelul de vibrații măsurat la mâner	m/s ²	8,03	8,03
Incertitudine	m/s ²	1,5	1,5
Accesorii			
Cap de tuns		Tap & Go	Tap & Go
Linia de tuns, Φ	mm	2,4	2,4
Lama de perie	mm	255	255

IDENTIFICARE

1. Carcasa angrenajului conic
2. Cutter cap de nailon
3. Scut de resturi
4. Controlul accelerației
5. Punctul de cârlig al hamului
6. Ambreiaj
7. Motor
8. Buton de reglare a mânerului
9. Maner tip bicicletă
10. Schimbătorul de viteze
11. Pornire cu recul
12. Capac rezervor combustibil
13. Rezervor de combustibil
14. Sufoca
15. Purificator de aer

Operațiunea

PREPERARE

Despachetarea și finalizarea asamblării trebuie să se facă pe o suprafață plană și stabilă, cu suficient spațiu pentru mutarea mașinii și a ambalajului acesteia, făcând întotdeauna uz de echipamente adecvate.

Montați mânerul în suport poziționând mânerul într-o poziție confortabilă și strângând cele patru șuruburi. Montați scutul de resturi pe arbore cu suportul și șuruburile prevăzute. Strângeți șuruburile după poziționarea suportului capacului de siguranță în poziția corespunzătoare.

INSTALAREA LAMEI

Pentru a instala lama de tăiere (Fig. 3):

1. Pentru a instala lama de tăiere (Fig. 3):
2. Introduceți tasta hex (2) în orificiul specific din transmisia unghiulară (1) și rotiți lama (4) cu mâna până când tasta hex intră în gaura interioară, blocând rotația.
3. Deșurubați piulița (7) în sensul acelor de ceasornic și scoateți capacul (6).
4. Scoateți piulița exterioară (5) și scoateți pâza (4).
5. Asigurați-vă că canelurile din piulița interioară (3) se potrivesc perfect cu transmisia unghiulară (1).
6. Montați lama (4) și inelul exterior-piulița (5).
7. Readaptați capacul (6) și piulița (7), strângându-l complet în sens invers acelor de ceasornic.
8. Scoateți tasta hex (2).

AVERTISMENT: Purtați mănuși de protecție atunci când montați pâza pentru a evita să suferiți.

AVERTISMENT: Vibrațiile excesive ale lamei pot însemna montarea necorespunzătoare a acesteia și ar putea cauza defectarea și/sau rănirea mașinii. Oprii imediat motorul și verificați instalarea lamei.

INSTALAREA CAPULUI DE NAILON

Pentru a instala capul de nailon (Fig. 4):

1. Introduceți tasta hex (2) în orificiul specific din transmisia unghiulară (1) și rotiți capul liniei de tăiere (4) manual până când tasta hex intră în gaura interioară, blocând rotația.
2. Deșurubați capul liniei de tăiere (4) în sensul acelor de ceasornic și scoateți-l.
3. Scoateți piulița exterioară a inelului (5).
4. Asigurați-vă că canelurile din piulița interioară (3) se potrivesc perfect cu transmisia unghiulară (1).
5. Montați piulița exterioară a inelului (5).
6. Montați capul liniei de tăiere (4) înșurubându-l în sens invers acelor de ceasornic.
7. Scoateți tasta hex (2).

NOTĂ: Pentru a înlocui linia capului de nailon, consultați Fig. 5.

AVERTISMENT: Utilizați numai linia monofilament de nailon de calitate cu diametrul de 2,5 mm. Nu folosiți niciodată sârmă sau linie ranforsată cu sârmă în locul liniei de tuns din nailon. Încărcați capul de tăiere a liniei de nailon numai cu linia de tuns nailon cu diametrul corespunzător.

UTILIZAREA HAMULUI DE UMĂR

Pentru a utiliza hamul de umăr:

1. Montați și reglați hamul și cureaua, așa se arată în Fig. 6.
2. Atârnați fila de blocare pe cârligul hamului.
3. Dacă trimmerul nu se echilibrează, apoi reglați umerșul hamului și ghidonul, până când trimmerul de iarbă se echilibrează.

AVERTISMENT: Cârligul este situat la șoldul drept, iar dispozitivul de blocare cu eliberare rapidă este situat la exterior. Aflați să scoateți rapid unitatea de ham înainte de a opera unitatea, trăgând fila de blocare cu eliberare rapidă în sus.

AVERTISMENT: Menționați o aderență fermă cu ambele mâini atunci când acționați ținând unitatea cu mâna

dreaptă pe mânerul declanșatorului și mâna stângă pe mânerul stâng.

Înainte de a începe lucrul, vă rugăm:

1. Verificați dacă toate șuruburile, piulițele și accesorii de pe mașină sunt bine fixate.
2. Verificați dacă filtrul de aer este curat și curat sau înlocuiți cu noi, dacă este necesar.
3. Pregătiți accesoriile și asigurați-vă că sunt montate corect.
4. Verificați dacă protectorul este fixat în siguranță.
5. Umpleți cu combustibil conform indicațiilor de mai jos și asigurați-vă că nu există scurgeri de combustibil.
6. Verificați dacă capul sau lama de nailon nu este deteriorată.

ALIMENTARE ȘI LUBRIFIERE

AVERTISMENT: Nu fumați niciodată în timpul realimentării și evitați inhalarea vaporilor de benzină.

Unitatea este echipată cu motor în 2 timpi. Prin urmare, trebuie utilizat întotdeauna un amestec de benzină fără plumb (de 89 octan sau mai mare) și ulei în 2 timpi. Utilizați numai benzină care nu conține etanol sau metanol. Este foarte important să acordați atenție amestecului de combustibil pe care îl utilizați, deoarece trebuie obținut un amestec precis de ulei și combustibil. Cantități mici de amestec de ulei și combustibil cu mici inexactități, pot afecta raportul de amestec, ceea ce poate duce la supraîncălzirea motorului și daune grave în motor. Se recomandă să amestecați numai cantitatea necesară pentru locul de muncă pe care sunteți pe cale să o faceți, pentru a păstra doar amestecul proaspăt.

AVERTISMENT: Deschideți cu grijă partea superioară a rezervorului, deoarece presiunea s-ar fi putut forma în interior.

Trebuie utilizat ulei în 2 timpi special formulat pentru motoarele răcite cu aer în 2 timpi. Nu folosiți ulei în 2 timpi destinat motoarelor răcite cu apă. Nu folosiți niciodată ulei de calitate slabă sau ulei de motor în 4 timpi.

Pentru cele mai bune rezultate și performanță, raportul de amestecare dintre benzină și ulei este de 30:1.

Utilizați întotdeauna recipient curat pentru combustibil înainte de amestecarea combustibilului. Amestecați și agitați bine amestecul de combustibil, înainte de a umple rezervorul de combustibil al mașinii. Nu folosiți amestecul de combustibil păstrat mai mult de o lună. Rezervorul de combustibil al mașinii trebuie golit înainte de depozitare.

Utilizați întotdeauna o pâlnie pentru a realimenta aparatul.

Nu umpleți prea mult. Se lasă un spațiu de minimum 5 mm între partea superioară a amestecului combustibil-ulei și marginea interioară a rezervorului pentru a permite expansiunea. Se recomandă să umpleți rezervorul de combustibil până la 3/4 din întregul său potențial.

AVERTISMENT: Închideți întotdeauna ferm capacul rezervorului de combustibil.

PORNIREA UNITĂȚII

1. Deplasați comutatorul de aprindere în poziția "START".
2. Împingeți ușor pompa de grund în mod repetat (de 7-10 ori) până când combustibilul intră în pompa de grund.
3. În caz de pornire la rece: Trageți maneta de blocare pentru a închide sufocarea.
4. Deplasați declanșatorul de accelerație și mențineți-l în poziție cu blocarea accelerației (dacă există).
5. Trageți de reculul pornit până la pornirea motorului. În cazul în care pornirea recul este tras în mod repetat cu sufoca pe, acesta poate inunda motorul și face de pornire dificil. Dacă ați inundat motorul, scoateți bujie și trageți ușor mânerul de pe frânghia de pornire pentru a elimina orice surplus de combustibil. Apoi re poziționați o scântee uscată și încercați din nou.

AVERTISMENT: Pentru a evita ruperea frânghiei de pornire, nu trageți întreaga lungime a acesteia și nu o lăsați să alunece de-a lungul marginii orificiului de ghidare a cablului. Eliberați starterul treptat, pentru a evita să-l lăsați să zboare înapoi incontrabil.

6. Când motorul este pornit și ralanti reveni maneta de sufocare înapoi pentru a deschide sufoca.
7. Decuplați blocarea accelerației (dacă există) apăsând scurt pe trăgaci.
8. Lăsați motorul să se încălzească timp de câteva minute înainte de utilizare.

NOTĂ: Când motorul este fierbinte, sufocarea trebuie să rămână în poziția "RUN" în orice moment.

FUNCȚIONAREA UNITĂȚII

Capul de tăiere se rotește în sens invers acelor de ceasornic. Cuțitul de tăiere pentru linia de tuns este situat pe partea dreaptă a scutului de resturi.

Pentru aproape toate liniile de tăiere cap, se recomandă să înclinați linia capului, astfel încât contactul se face pe partea cercului de linie că linia se îndepărtează de tine și scutul de resturi. Acest lucru va duce la orice resturi care urmează să fie deturnate departe de tine. În cazul în care tăierea până la o barieră, ar fi gard, perete sau copac, abordare dintr-un unghi, ar fi să ricoșeze orice resturi care zboară departe de tine.

AVERTISMENT: Nu tăiați acolo unde nu puteți vedea ce taie mașina de tăiat.

Lama este utilizată pentru reducerea creșterii cu diametrul de până la 3/4".

AVERTISMENT: Nu folosiți tăietorul de pensulă pentru tăierea copacilor cu diametrul de 1/2" până la 3/4".

AVERTISMENT: Fiți întotdeauna conștienți de tracțiunea pânzei. Împingerea lamei este reacția care poate apărea atunci când pânza de filare intră în contact cu ceva ce nu poate tăia; determinând pânza să se oprească pentru o clipă și să provoace o forță care ar putea împinge tăietorul de perii departe de obstacolul contactat.

OPRIREA UNITĂȚII

1. Eliberați mâna de la controlul pedalei de accelerație. Se lasă motorul să se răcească rulând

în gol timp de 2-3 minute.

2. Dacă unitatea este echipată cu un comutator pornit/oprit încărcat cu arc, apăsați și țineți apăsat butonul în poziția "O", până când motorul se oprește. În caz contrar, apăsați comutatorul în poziția "Oprit".

ȘI CURĂȚARE

AVERTISMENT: Nu efectuați întreținerea sau curățarea cu aparatul în funcțiune. Lucrați întotdeauna la o unitate rece.

AVERTISMENT: Înainte de curățare sau de întreținere, deconectați capacul bujiei și citiți instrucțiunile relevante. Purtați îmbrăcăminte adecvată și mănuși de protecție ori de câte ori vă sunt expuse mâinile.

Orice reglaje sau operațiuni de întreținere care nu sunt descrise în acest manual trebuie efectuate de către dealer sau de către un centru de service specializat, cu cunoștințele și echipamentele necesare pentru a se asigura că lucrarea este efectuată corect menținând nivelul de siguranță inițial al mașinii. Orice operații efectuate în centre neautorizate sau de persoane necalificate vor anula total Garanția și toate obligațiile și responsabilitățile Producătorului. Păstrați toate piulițele și șuruburile strânse pentru a vă asigura că mașina este întotdeauna în stare de funcționare sigură. Întreținerea de rutină este esențială pentru siguranță și pentru menținerea unui nivel de înaltă performanță.

AVERTISMENT: Nu folosiți niciodată aparatul cu piese uzate sau deteriorate. Piesele defecte sau uzate trebuie întotdeauna înlocuite și nu reparate. Utilizați numai piese de schimb originale.

Elemente		Frecvență						
		Prije svake uporabe în timpul fiecărei opriri de realimentare	După fiecare utilizare	în fiecare săptămână sau la fiecăre 10 ore de funcționare	în fiecare lună sau la fiecăre 50 de ore de funcționare	La fiecăre 12 luni sau la fiecăre 100 de ore de funcționare		
Carburator	Verificare inactivă		✓					
	Serviciu							✓**
Unsoare de angrenaj	Verificarea și umplerea			✓				
Tab de combustibil	Verificați							✓**
Orificii de răcire	Verificați și curățați	✓	✓	✓				
Echipeamente de tăiere	Verificați	✓	✓	✓				
Apărătoare de tăiere	Verificați	✓	✓	✓				
Valori-fica	Verificați	✓	✓	✓				
*Aceste elemente trebuie înlocuite dacă este necesar.								
**Aceste articole trebuie întreținute și reparate numai de către un dealer autorizat, care dispune de instrumentele corespunzătoare și de competența mecanică necesară.								

Elemente		Frecvență						
		Prije svake uporabe în timpul fiecărei opriri de realimentare	După fiecare utilizare	în fiecare săptămână sau la fiecăre 10 ore de funcționare	în fiecare lună sau la fiecăre 50 de ore de funcționare	La fiecăre 12 luni sau la fiecăre 100 de ore de funcționare		
Unitate completă	Inspecție vizuală	✓	✓	✓				
	Curat			✓				
Ghidaje de control	Verificați	✓	✓	✓				
Filtru de aer	Verificați și curățați		✓*	✓*				
	Înlocui				✓			
Bujie	Verificarea și ajustarea			✓*				
	Înlocui						✓	
Filtru de combustibil	Curat				✓*			
	Înlocui						✓	

PORT DE EVACUARE ȘI AMORTIZOR DE ZGOMOT

În funcție de tipul de combustibil și de raportul de amestec utilizat și de condițiile de funcționare, portul de evacuare și amortizorul de zgomot pot fi blocate din cauza depunerilor de carbon. Dacă observați o pierdere de energie la operarea unității, consultați un centru de service calificat pentru întreținerea unității.

FILTRU DE AER

1. Deșurubați șurubul de pe capacul filtrului de aer și scoateți capacul.
2. Asigurați-vă că filtrul de aer este liber de murdărie și într-o stare bună.
3. Dacă filtrul de aer este murdar, scoateți-l și curățați-l.
4. Spălați elementul de spumă într-o soluție de detergent de uz casnic și apă caldă, apoi clătiți bine sau spălați în solvent neinflamabil sau cu punct de aprindere ridicat.
5. Strângeți ușor filtrul de ulei. Se lasă elementul de spumă să se usuce bine.
6. Înmuiați elementul de spumă în ulei de motor curat și stoarceți ușor orice exces de ulei. Motorul va fuma în timpul pornirii inițiale dacă se lasă prea mult ulei în elementul de spumă.
7. procedura inversă pentru a pune din nou capacul filtrului de aer.

NOTĂ: Dacă motorul funcționează frecvent în condiții de praf sau alte circumstanțe severe, curățați elementul filtrului de aer la fiecare 10 ore. Dacă este necesar, schimbați elementul filtrului de aer la fiecare 25 de ore.

NOTĂ: Praful acumulat în filtrul de aer va reduce eficiența motorului, ducând la pierderea puterii și la un consum ridicat de combustibil.

BUJIE

1. Scoateți cablul bujiei pentru a accesa bujiile.
2. Utilizați o unealtă adecvată pentru bujii pentru a îndepărta cu atenție bujiile.
3. Inspectați starea bujiei și a electrodului acestuia.
4. Trebuie să fie curat și să nu fie purtat.
5. Verificați dacă diferența dintre bujii este între 0,6 și 0,7 mm (Fig. 8). Înlocuiți bujiile cu una nouă, dacă este necesar.
6. Introduceți cu atenție bujia în motor cu mâna.
7. După filetare, utilizați mașina corespunzătoare pentru a strânge cu fermitate bujiile.
8. Reatașați cablul bujiei.

AVERTISMENT: Nu lăsați niciodată murdăria sau resturile să intre în butelie. Înainte de a scoate bujiile, curățați bine bujiile și zona capului cilindrului.

ANGRENAJ BEVEL

Unsoarea de angrenaj trebuie alimentată cu unsoare pe bază de litiu la fiecare 30 până la 40 de ore de funcționare, după se arată în Fig. 9. Scoateți șurubul și mașina de spălat. Alimentați grăsimă prin rotirea simultană manuală a arborelui până când grăsimea iese din gaură. Apoi remonțați șurubul și mașina de spălat.

CURĂȚARE

Utilizați o perie mică moale pentru a curăța exteriorul unității. Nu folosiți detergenți puternici. Detergenții de uz casnic care conțin uleiuri aromatice, ar fi pinul și lămâia și solvenții, ar fi kerosenul, pot deteriora carcasa sau mânerul din plastic. Ștergeți orice umiditate cu o cârpă moale.

TRANSPORT

Motorul trebuie oprit atunci când unitatea este deplasată între zonele de lucru.

AVERTISMENT: După ce motorul s-a oprit, toba de eșapament este încă fierbinte. Nu atinge.

Goliți rezervorul de combustibil și asigurați-o să nu se miște înainte de a transporta într-un vehicul. Dacă pânza este montată, folosiți întotdeauna apărătoarea pânzei. Așezați întotdeauna apărătoarea pânzei pe lamă atunci când unitatea nu este în uz și nu uitați să scoateți apărătoarea pânzei înainte de a utiliza din nou aparatul.

STOCARE

AVERTISMENT: Nikada ne skladištite jedinicu s gorivom u spremniku i uvijek dopustite jedinicu da se ohladi prije skladištenja.

AVERTISMENT: Depozitați aparatul numai în zone uscate și bine ventilate.

În cazul în care unitatea va fi depozitată pentru o perioadă lungă de timp, utilizați următoarea procedură de stocare:

1. Se scurge tot combustibilul din rezervorul de combustibil.
2. până când se blochează. Acest lucru asigură că tot combustibilul a fost scurs din carburator.
3. Lăsați motorul să se răcească.
4. Scoateți bujie și puneți 30 ml de ulei de motor de înaltă calitate sau ulei în 2 timpi în cilindru. Trageți încet frânghia de pornire pentru a distribui uleiul.
5. Reinstalați bujiile.
6. Curățați bine aparatul și inspectați dacă piesele slăbite sau deteriorate sunt deteriorate. Reparați sau înlocuiți piesele deteriorate și strângeți șuruburile, piulițele sau șuruburile slăbite.

PROTECȚIA MEDIULUI

Reciclați materiile prime în loc să aruncați ca deșeurii. Mașinile, accesoriile și ambalajele trebuie sortate pentru reciclare ecologică. Componentele din plastic sunt etichetate pentru reciclare clasificate.

GARANȚIE

Acest produs este justificat în conformitate cu reglementările legale / specifice țării, cu efect de la data cumpărării de către primul utilizator. Daunele care pot fi atribuite uzurii normale, supraîncălzirii sau manipularii necorespunzătoare vor fi excluse din garanție. În cazul unei cereri, vă rugăm să trimiteți mașina, complet asamblată, dealerului sau centrului oficial de service.

MAGYAR

ÁLTALÁNOS BIZTONSÁGI FIGYELMEZTÉSEK

A készülék használata előtt olvassa el és értse meg ezt a használati útmutatót. Segíthet megelőzni a baleseteket, ha ismeri terméke kezelési eljárásait, és betartja a biztonságos üzemeltetési eljárásokat és a biztonsági jelzéseket. Ne tegye ki a készüléket túlzott nedvességnek, pornak, szennyeződésnek vagy korrozív gőzöknek. Soha ne kísérelje meg módosítani a terméket. Mindig használja a józan eszét, hogy elkerüljön minden olyan helyzetet, amely meghaladja képességeit. Ne használja a készüléket, ha fáradt vagy kábítószert, alkoholt vagy bármilyen más gyógyszer hatása alatt áll. Működés közben tartsa távol a gyerekeket és a közelben lévőket (6. ábra). Soha ne engedje, hogy gyermekek vagy olyan személyek használják a gépet, akik nem ismerik ezeket az utasításokat. A helyi törvények korlátozhatják az üzemeltető alsó korhatárát. Ne feledje, hogy az üzemeltető vagy a felhasználó felelős a más emberek vagy tulajdonukat érintő balesetekért vagy váratlan eseményekért. A jelen kézikönyvben nem szereplő szétszereléssel és szervizeléssel kapcsolatban forduljon hivatalos forgalmazójához.

SZÉN-MONOXID VESZÉLYEK

Csak a szabadban működtesse. Soha ne járassa a motort beltérben, mert az mérgező szén-monoxidot, egy szagtalan és szintelen gázt bocsát ki. A szén-monoxid belélegzése hányingert, ájulást vagy halált okozhat.

TŰZ- ÉS ÉGÉSI VESZÉLYEK

Ne használja magas tűzveszélyes területeken. A kipufogórendszer eléggé felforrósodik ahhoz, hogy meggyulladjon a gyűlékony anyagok. Az egység egyes részei működés közben nagyon felforrósodnak, ezért ügyeljen arra, hogy ne érintse meg őket, hogy elkerülje az égési sérüléseket. Tárolás előtt hagyjuk kihűlni.

Soha ne dohányozzon a készülék közelében. Az esetleges tűz- vagy szikraforrásokat távol kell tartani. Az egység tankolásakor ügyeljen a tűzveszélyre. Tűz esetén használjon megfelelő tűzoltó készüléket, amelyet kifejezetten olaj- és benzintűzre terveztek.

ÜZEMANYAG ÉS OLAJ VESZÉLYEI

A benzin és az olaj mérgező és gyúlékony. Használat előtt kövesse az egyes gyártók utasításait. Győződjön meg arról, hogy a tartályék benzintartály és az egység között van némi távolság, hogy elkerülje a szükségtelen veszélyeket. Csak a szabadban tankoljon, jól szellőző helyen, kikapcsolt motor mellett. Üzem közben ne tankoljon. Ne töltsen túl az üzemanyagtartályt. Soha ne dohányozzon benzin közelében. Tartsa távol a tűz- és szikraforrásokat. A benzint mindig jóváhagyott tartályokban tárolja. A motor beindítása előtt győződjön meg arról, hogy minden kiömlött üzemanyagot és olajat letörölt.

Lassan nyissa ki az üzemanyagtartályt, hogy a belső nyomás fokozatosan csökkenjen.

VÉDŐ FELSZERELÉS

Mindig viseljen megfelelő és minősített védőfelszerelést, amikor a készüléket használja. Mindig viseljen megfelelő ruházatot, amely nem akadályozza a mozgást a gép használata közben. Mindig viseljen keszkeny védőruházatot, sisakot, rezgéscsillapító kesztyűt, védőszemüveget, féléllarcos légzőkészüléket, akusztikus védőfelszerelést és csúszásmentes talpú, nyírásálló védőcsizmát. Soha ne viseljen sálát, inget, nyakláncot vagy bármilyen lógó vagy csapkodó tartozékot, amely beakadhat a gépbe. Kösse fel a haját, ha hosszú. Légzőmaszkot kell használni, ha fennáll a por veszélye.

KATEGÓRIA BIZTONSÁGI FIGYELMEZTÉSEK

BIZTONSÁGOS MŰKÖDÉS

A fajtárszelep-kioldónak szabadon kell mozognia, nem kell erőltetni, és automatikusan és gyorsan vissza kell térnie semleges helyzetbe. A motorleállító kapcsoló gombjának könnyen mozgatnia kell egyik pozícióból a másikba.

Az elektromos kábeleknél és különösen a gyűjtőgyertya kábelének kifogástalan állapotban kell lenniük, hogy elkerüljük a szikraerőszakot, és a kupakot megfelelően fel kell szerelni a gyűjtőgyertyára.

gép fogantyúinak és védőeszközeinek tisztának és száraznak kell lenniük, és jól rögzítve kell lenniük a géphez.

Ne szereljen a gépre olyan berendezéseket vagy tartozékokat, amelyeket a gyártó nem tervezett vagy nem hagyott jóvá. A nem engedélyezett módosítások és/vagy tartozékok súlyos személyi sérülést vagy a kezelő vagy mások halálát okozhatják.

Javasoljuk, hogy a lábakat és a lábfejeket letakarják, hogy megvédjék a repülő törmeléktől működés közben.

Munka közben mindig megfelelő fogantyúkat és vállpántokat használjon.

Ügyeljen arra, hogy leállítsa a motort:

- Tartozékok felszerelésekor vagy eltávolításakor.
- Amikor felügyelet nélkül hagyja a gépet, vagy amikor a földön kívánja pihentetni.
- Tankolás közben.
- Munkaterületek közötti mozgáskor.

FIGYELMEZTETÉS: A forgó részek súlyos sérüléseket okozhatnak. Kerülje el a forgó részekkel való érintkezést, amikor még forognak. Ha idegen test ragadt a gépre, állítsa le a motort, ellenőrizze, hogy nem sérült-e meg a gép, és végezze el a javítást, mielőtt újraindítaná.

FIGYELMEZTETÉS: Soha ne érintse meg a vágófelfejt, amikor a motor jár.

FIGYELMEZTETÉS: Ha munka közben valami eltörik vagy baleset történik, azonnal állítsa le a motort, és vigye el a gépet, hogy elkerülje a további károsodást.

Az ebben az útmutatóban feltüntetett zaj- és rezgésszintek a gép használatának maximális

szintjei. A nem megfelelő karbantartás jelentős hatással van a rezgés- és zajkibocsátásra. Következésképpen megelőző lépéseket kell tenni a magas zajszint és a vibrációból eredő terhelés miatti esetleges károk kiküszöbölésére. Gondosan karbantartsa a gépet, viseljen fülvédőt, és tartson szüneteket munka közben. A gép stabil sebességgel történő működtetése és a fogantyú megfelelő erővel történő erős megfogása csökkentheti a rezgésszintet. Az alacsony motorfordulatszám alacsony zajszintet jelent, ezért a gépet a feladat elvégzéséhez szükséges legalacsonyabb motorfordulatszámra működtesse. Munkanapon gyakori és megfelelő szüneteket kell tartania, hogy elkerülje a vibráció okozta károsodást és a fülkárosodást. A hosszan tartó vibrációnak való kitettségek sérüléseket és idegrendszeri rendellenességeket (más néven „Raynaud-szindrómát” vagy „fehér kéz”) okozhat, különösen a keringési zavarokban szenvedőknél. A tünetek a kézre, a csuklóra és az ujjakra vonatkozhatnak, és az érzékenység elvesztésével, toporral, viszketéssel, fájdalommal és a bőr elszíneződésével vagy szerkezeti változásaival nyilvánulnak meg. Ezeket a hatásokat ronthatja az alacsony környezeti hőmérséklet és/vagy a fogantyúk túlzott megfogása. Ha a tünetek jelentkeznek, csökkenteni kell a gép használati idejét, és orvoshoz kell fordulni.

MUNKATERÜLET VESZÉLYEI

Alaposan vizsgálja meg az egész munkaterületet, és használjon gereblyét vagy kerti kefét a törmelék kézi fellazításához, és távolítson el mindent, ami a gépből kinyúlhat, és veszélyes forrássá válhat (kövek, ágak, vashuzal, csontok stb.), vagy beleagalyodhat a gépbe. Vágófeje. Ellenőrizze, hogy a gép működési tartományától legalább 15 méteren belül nincsenek-e szemlélődők vagy háziállatok (6. ábra).

Ne irányítsa a hangtompítót és így a kipufogógázt gyúlékony anyagok felé.

A munka megkezdése előtt mindig ellenőrizze, hogy nincsenek-e olyan tárgyak, amelyek elzárhatják a levegőbemeneti szűrőt. Az eltömődött légbeömlő csökkenti a gép teljesítményét és növeli a motor üzemi hőmérsékletét, ami a motor meghibásodásához vezethet. Ne működtesse a motort zárt térben, ahol veszélyes szén-monoxid gázok keletkezhetnek. Ne működtesse a gépet nyitott ablakok közelében.

Csak nappali fényben vagy jó mesterséges megvilágítás mellett, jó látási viszonyok között dolgozzon. Lehetőleg ne okozzon zavart. Ezt a gépet csak ésszerű napszakokban használja (nem kora reggel vagy késő este, amikor a zaj zavarhatna). Száraz, poros talajon végzett munka esetén ajánlatos a felületet enyhén megnedvesíteni és/vagy megfelelő porvédő maszkot használni.

Vegyen fel szilárd és kiegyensúlyozott pozíciót. Lehetőség szerint kerülje a nedves, csúszós talajon végzett munkát, vagy minden esetben egyenletes vagy meredek talajon, amely nem garantálja a stabilitást a kezelő számára.

TERMÉKLEÍRÁS

RENDELTETTÉSSZERŰ HASZNÁLAT

Ezt a gépet fű és fű nyírására tervezték és gyártották pl. pázsiton, utakon, parkolóban és utakon.

A fent említettől eltérő bármely más használat veszélyes lehet, embereket és/vagy tárgyakat és a gépet károsíthatja.

HELYTELEN HASZNÁLAT

gépet nem szabad veszélyes anyagok vágására használni, pl. gyúlékony vagy robbanásveszélyes termékek, égő cigaretták, üvegdarabok, éles tárgyak, fémtárgyak, kövek és egyéb olyan tárgyak vágására, amelyek veszélyesek lehetnek a kezelőre és másokra.

A helytelen használat példái többek között, de nem kizárólagosan:

- A vágófejet emberek és/vagy állatok felé irányítani;
- Ha a gépet a gyártó által kifejezetten meghatározott célokra szállított tartozékok nélkül használja, vagy a tartozékokat a jelen útmutatóban nem szereplő módon használja;
- A gépet több személy használja.

MŰSZAKI ADATOK			
Cikkszám		45 561	47 591
Modell		GBC 252C PLUS	GBC 254C PLUS
Henger lökettérfogat	cc	52	54
Alapjáratú fordulatszám	rpm	3.100 ±400	3.100 ±400
Maximális motor teljesítmény	kw / hp	1,4 / 1,9	1,8 / 2,4
Maximális motor fordulatszám	rpm	9.000	9.000
A kimenő tengely sebessége	rpm	8.250	8.250
Gyújtógyertya		NGK BPMR7A	NGK BPMR7A
Elektróda rész	mm	0,6-0,7	0,6-0,7
Üzemanyag-tartály kapacitás	L	1,2	1,2
Súly üzemanyag, vágófelszerelés és védőburkolat nélkül	kg	7,8	7,8
Zajkibocsátás			
Hangteljesítmény szint, mérve	dB (A)	98,7	98,7
Bizonytalanság	dB (A)	3	3
Hangteljesítményszint, garantált	dB (A)	114	114

MŰSZAKI ADATOK			
Cikkszám	45 561	47 591	
Modell	GBC 252C PLUS	GBC 254C PLUS	
Egyenértékű rezgésszintek			
Mért rezgésszint a fogantyúnál	m/s ²	8,03	8,03
Bizonytalanság	m/s ²	1,5	1,5
kiegészítők			
Vágófej		Tap & Go	Tap & Go
Vágózsínór Φ	mm	2,4	2,4
Kefe penge	mm	255	255

AZONOSÍTÁS

1. Kúpkerék ház
2. Nylon fejú vágó
3. Törmelékpajzs
4. Fojtószelep szabályozás
5. Hám horog pont
6. Kuplung
7. Motor
8. Fogantyú beállító gomb
9. Kerékpár típusú fogantyú
10. Kardántengely
11. Visszarúgás indítás
12. Üzemanyagtartály sapka
13. Üzemanyag tartály
14. Fojtás
15. Légtisztító

MŰVELET

ELŐMŰVELET

A kicsomagolást és az összeszerelést sík és stabil felületen kell végezni, elegendő hely legyen a gép és a csomagolás mozgásához, mindig megfelelő felszerelést használva.

Szerelje be a fogantyút a tartóba úgy, hogy a fogantyút kényelmes pozícióba helyezi, és meghúzza a négy csavart. Szerelje fel a törmelékpajzsot a tengelyre a mellékelt konzollal és csavarokkal. Húzza meg a csavarokat, miután a biztonsági burkolat konzolját a megfelelő pozícióba helyezte.

A KÉS TELEPÍTÉSE

A vágókés felszereléséhez (3. ábra):

1. Helyezze be az imbuzskulcsot (2) a szöghajtómű (1) adott furatába, és kézzel forgassa el a pengét (4), amíg a hatlapfej be nem kerül a belső lyukba, megakadályozva a forgást.
2. Csavarja le az anyát (7) az óramutató járásával megegyező irányba, és vegye le a fedelet (6).
3. Húzza ki a külső gyűrűs anyát (5), és vegye le a pengét (4).
4. Ügyeljen arra, hogy a belső gyűrűs anyában (3) lévő hornyok tökéletesen illeszkedjenek a szögátvitelhez (1).
5. Szerelje fel a pengét (4) és a külső gyűrűs anyát (5).

6. Helyezze vissza a fedelet (6) és az anyát (7), az óramutató járásával ellentétes irányban teljesen meghúzza.

7. Távolítsa el az imbuzskulcsot (2).

FIGYELMEZTETÉS: Viseljen védőkesztyűt a penge felszerelésekor, hogy elkerülje a sérüléseket.

FIGYELMEZTETÉS: A penge túlzott vibrációja azt jelentheti, hogy a penge nem megfelelően illeszkedik, és a gép meghibásodását és/vagy sérülést okozhat. Azonnal állítsa le a motort, és ellenőrizze a kés felszerelését.

A NYLON FEJ FELSZERELÉSE

A nylonfej felszereléséhez (4. ábra):

Helyezze be az imbuzskulcsot (2) a szöghajtómű (1) adott furatába, és forgassa el kézzel a vágószál fejét (4), amíg a hatlapfej be nem kerül a belső lyukba, megakadályozva a forgást.

Csavarja le a vágószál fejét (4) az óramutató járásával megegyező irányban, és távolítsa el.

Húzza ki a külső gyűrűs anyát (5).

Ügyeljen arra, hogy a belső gyűrűs anyában (3) lévő hornyok tökéletesen illeszkedjenek a szögátvitelhez (1).

Szerelje fel a külső gyűrűs anyát (5).

Szerelje fel a vágószál fejét (4), csavarja fel az óramutató járásával ellentétes irányba.

Távolítsa el az imbuzskulcsot (2).

MEGJEGYZÉS: A nylon fejszínór cseréjét lásd az 5. ábrán.

FIGYELMEZTETÉS: Csak minőségi, 2,5 mm átmérőjű nejlon monofil zsinórt használjon. Soha ne használjon drótot vagy dróttal megerősített zsinórt a nylon vágózsínór helyett. A nylon zsinór vágófejét csak megfelelő átmérőjű nylon vágózsínórral tölts fel.

A VÁLLSZÁM HASZNÁLATA

A vállheveder használata:

1. Szerelje össze és állítsa be a vállhevedert és az övet a 6. ábra szerint.
2. Akassza fel a rögzítőfület a hevederkampóra.
3. Ha a trimmer nem egyensúlyoz, állítsa be a heveder akasztót és a kormányt, amíg a fűnyíró egyensúlyba nem kerül.

FIGYELMEZTETÉS: A horog a jobb csípőjénél, a gyorskioldó retesz pedig a külső oldalon található. Ismerje meg, hogyan lehet gyorsan leakasztani az egységet a kábelkötegről, mielőtt a készüléket működteti, a gyorskioldó retesz felfelé húzásával.

FIGYELMEZTETÉS: Használat közben tartsa szilárdan mindkét kezével úgy, hogy az egységet jobb kezével a kioldó fogantyúján, bal kezével pedig a bal fogantyún tartja.

A munka megkezdése előtt kérjük:

1. Ellenőrizze, hogy a gép összes csavarja, anyája és szerelvénye szorosan meg van-e rögzítve.
2. Ellenőrizze, hogy a légszűrő tiszta és tiszta-e, vagy szükség esetén cserélje ki újra.
3. Készítse elő a tartozékokat, és ellenőrizze, hogy megfelelően vannak-e felszerelve.
4. Ellenőrizze, hogy a védő biztosan a helyén van-e.
5. Tölts fel üzemanyaggal az alábbiak szerint,

és ellenőrizze, hogy nincs-e üzemanyagyszivárgás.

- Ellenőrizze, hogy a nylonfej vagy a penge nem sérült-e.

TANÍTÁS ÉS KENÉS

FIGYELMEZTETÉS: Soha ne dohányozzon tankolás közben, és kerülje a benzingőz belélegzését.

Az egység kétütemű motorral van felszerelve. Ezért mindig ólommentes (89-es vagy magasabb oktánszámú) benzín és kétütemű olaj keverékét kell használni. Csak olyan benzint használjon, amely nem tartalmaz etanolt vagy metanol. Nagyon fontos, hogy ügyeljen a használt üzemanyag-keverékre, mivel az olaj és az üzemanyag pontos keverékét kell elérni. Kis mennyiségű olaj és üzemanyag keverék kis pontatlanságokkal befolyásolhatja a keverék arányát, ami a motor túlmelegedéséhez és a motor súlyos károsodásához vezethet. Javasoljuk, hogy csak az elvégzendő munkához szükséges mennyiséget keverje össze, hogy csak a friss keverék maradjon meg.

FIGYELMEZTETÉS: Óvatosan nyissa ki a tartály tetejét, mert nyomás keletkezhet benne.

A léghűtéses kétütemű motorokhoz speciálisan kialakított kétütemű olajat kell használni. Ne használjon vízhűtéses motorokhoz készült kétütemű olajat. Soha ne használjon rossz minőségű olajat vagy négyütemű motorolajat.

A legjobb eredmény és teljesítmény érdekében a benzint és az olaj keverési aránya 30:1.

Az üzemanyag keverése előtt mindig tiszta üzemanyagtartályt használjon. A gép üzemanyagtartályának feltöltése előtt alaposan keverje össze és rázza fel az üzemanyagkeverékét. Ne használjon egy hónapnál tovább tárolt üzemanyag-keveréket. Tárolás előtt a gép üzemanyagtartályát ki kell üríteni.

Mindig használjon tölcserít a gép tankolásához.

Ne töltse túl. Hagyjon legalább 5 mm helyet a tüzelőanyag-olaj keverék teteje és a tartály belső széle között, hogy lehetővé tegye a tágulást. Javasoljuk, hogy az üzemanyagtartályt a teljes potenciál $\frac{3}{4}$ -ig töltsse fel.

FIGYELMEZTETÉS: Mindig szorosan zárja le az üzemanyagtartály sapkáját.

AZ EGYSÉG INDÍTÁSA

- Állítsa a gyújtáskapcsolót „START” állásba.
- Gyengéden nyomja meg ismételten (7-10-szer) az indítószivattyút, amíg az üzemanyag meg nem érkezik az indítószivattyúba.
- Hidegindítás esetén: A szivató zárásához húzza fel az ékkart.
- Mozgassa a fojtószelep-kioldót, és tartsa a helyén a fojtószelep-zárral (ha van).
- Húzza meg a visszacsapó indítót, amíg a motor be nem indul. Ha a visszacsapó indítást többször behúzott szivató mellett meghúzza, az eláraszthatja a motort, és megnehezítheti az indítást. Ha elárasztotta a motort, távolítsa el a gyújtógyertyát, és óvatosan húzza meg az indítókötél fogantyúját, hogy eltávolítsa a felesleges üzemanyagot. Ezután helyezze át a

száraz szikrát, és próbálkozzon újra.

FIGYELMEZTETÉS: Az indítókötél elszakadásának elkerülése érdekében ne húzza teljes hosszában, és ne hagyja, hogy a kábelvezető furat széle mentén elcsúszson. Fokozatosan engedje el az önindítót, ne hogy ellenőrizhetetlenül visszarepüljön.

- Amikor a motor beindul és alaplátraon hajtja vissza a szivatókart a szivató kinyitásához.
- Oldja ki a fojtószelep-zárat (ha van), röviden lenyomva a gázkart.
- Használat előtt hagyja néhány percig felmelegedni a motort.

MEGJEGYZÉS: Amikor a motor forró, a szivatónak mindig „RUN” állásban kell maradnia.

AZ EGYSÉG MŰKÖDTETÉSE

vágófeje az óramutató járásával ellentétes irányban forog. A vágószál vágókése a törmelékpausz jobb oldalán található.

Szinte minden fejevonalgásnál ajánlatos megdönteni a fejevonalat úgy, hogy a vonalkór azon része érintkezzen, amelytől a zsinór távolodik Öntől és a törmelékpauszól. Ez azt eredményezi, hogy minden törmelék eltávolodik Öntől. Ha egy sorompóhoz, például kerítéshez, falhoz vagy fához vág fel, olyan szögbe közelítse meg, hogy a repülő törmelék elvige magától.

FIGYELMEZTETÉS: Ne vágjon olyan helyen, ahol nem látja, hogy mit vág a vágószerszám.

A pengét legfeljebb $\frac{3}{4}$ ” átmérőjű növekedés vágására használják.

FIGYELMEZTETÉS: Ne használja a bozótvágót olyan fák vágására, amelyek átmérője meghaladja a $\frac{1}{2}$ ”-től $\frac{3}{4}$ ”-ig.

FIGYELMEZTETÉS: Mindig legyen tudatában a penge tolóerejének. A penge tolóereje az a reakció, amely akkor léphet fel, amikor a forgó penge bármire ér, ami nem vágható; a penge egy pillanatra leáll, és olyan erőt vált ki, amely a bozótvágót eltolta az érintett akadálytól.

AZ EGYSÉG LEÁLLÍTÁSA

- Engedje el a kezét a gázkarból. Hagyja lehűlni a motort úgy, hogy 2-3 percig alaplátraon járjon.
- Ha az egység rugós be-/kikapcsolóval van felszerelve, nyomja meg és tartsa lenyomva a gombot „O” állásban, amíg a motor le nem áll. Ellenkező esetben tolja a kapcsolót „K” állásba.

KARBANTARTÁS ÉS TISZTÍTÁS

FIGYELMEZTETÉS: Soha ne végezzen karbantartást vagy tisztítást működő egység mellett. Mindig hűvös egységen dolgozzon.

FIGYELMEZTETÉS: Tisztítsa vagy karbantartsa munkák elvégzése előtt válassza le a gyújtógyertya sapkáját, és olvassa el a vonatkozó utasításokat. Viseljen megfelelő ruházatot és védőkesztyűt, ha kezei veszélyben vannak.

Az ebben a kézikönyvben le nem írt beállításokat vagy karbantartási műveleteket a márkakereskedőnek vagy a szükséges ismeretekkel és felszereléssel rendelkező szakszerviznek kell elvégeznie annak biz-

tosítására, hogy a munka megfelelően, a gép eredeti biztonsági szintjének megőrzése mellett történjen. A nem felhatalmazott központokban vagy szakképzetlen személyek által végzett bármely művelet teljes mértékben érvényteleníti a garanciát, valamint a gyártó minden kötelezettségét és felelősségét.

Minden anyát és csavart tartson szorosan, hogy a gép mindig biztonságos üzemi állapotban legyen. A rendszeres karbantartás elengedhetetlen a biztonság és a magas teljesítményszint fenntartásához.

FIGYELMEZTETÉS: Soha ne használja a gépet kopott vagy sérült alkatrészekkel. A hibás vagy elhasználódott alkatrészeket mindig ki kell cserélni és nem javítani. Csak eredeti alkatrészeket használjon.

Tételek		Frekvencia					
		Minden használat előtt	Minden tankolási megállóban	Minden használat után	Hetente vagy 10 üzemióránként	Havonta vagy 50 üzemióránként	12 havonta vagy 100 üzemióránként
Komplett egység	Szemrevételezés	✓	✓	✓			
	Tiszta			✓			
Vezérlő fogantyúk	Jelölje be	✓	✓	✓			
	Ellenőrizze és tisztítsa meg			✓*	✓*		
Légszűrő	Cserélje ki					✓	
	Ellenőrizze és állítsa be				✓*		
Gyújtógyertya	Cserélje ki					✓	
	Tiszta					✓*	
Üzemanyagszűrő	Cserélje ki					✓	
	Üresjárat ellenőrzés			✓			
Karburátor	Szolgáltatás						✓**
	Kúphajtómű-zsír	Ellenőrizze és töltsze ki			✓		
Üzemanyagcső	Jelölje be					✓**	
Hűtő bemenetek	Ellenőrizze és tisztítsa meg	✓	✓	✓			
Vágó berendezések	Jelölje be	✓	✓	✓			
Vágásvédő	Jelölje be	✓	✓	✓			
Hám	Jelölje be	✓	✓	✓			
* Ezeket az elemeket szükség esetén ki kell cserélni.							
**Ezeket az elemeket csak olyan hivatalos kereskedő karbantarthatja és javíthatja, aki rendelkezik a megfelelő szerszámokkal és a szükséges mechanikai jártassággal.							

KIPUFÓGÓCSA ÉS HANGOSÍTÓ

A felhasznált üzemanyag- és keverékaránytól, valamint az üzemi körülményektől függően a kipufogónyílás és a hangtompító eltömődhet a szénlerakódások miatt. Ha áramkimaradást észlel az egység működtetése közben, forduljon szakképzett szervizközpontozóhoz a készülék karbantartása érdekében.

LÉGSZŰRŐ

- Csavarja ki a csavart a légszűrő fedeléből, és vegye le a fedelet.
- Győződjön meg arról, hogy a légszűrő szennyeződésmentes és jó állapotban van.
- Ha a légszűrő szennyezett, távolítsa el és tisztítsa meg.
- Mossa el a hab elemet háztartási mosószer és meleg víz oldatában, majd alaposan öblítse le, vagy mossa ki nem gyúlékony vagy magas lobbánypontú oldószerben.
- Finoman nyomja meg az olajsűrőt. Hagyja a hab elemet alaposan megszáradni.
- Áztassa be a habszivacsot tiszta motorolajba, és óvatosan nyomja ki a felesleges olajat. A motor füstölni fog az első indításkor, ha túl sok olaj maradt a habosított elemben.
- Helyezze vissza a levegőszűrőt, és a fordított eljárás szerint tegye vissza a levegőszűrő fedelét.

MEGJEGYZÉS: Ha a motor gyakran működik poros vagy más súlyos körülmények között, 10 óránként tisztítsa meg a levegőszűrő elemet. Szükség esetén cserélje ki a légszűrő elemet 25 óránként.

MEGJEGYZÉS: A levegőszűrőben felgyülemlt por csökkentti a motor hatékonyságát, ami teljesítményvesztést és magas üzemanyag-fogyasztást eredményez.

GYŪJTÓGYERTYA

- Távolítsa el a gyújtógyertya kábelét, hogy hozzáférjen a gyújtógyertyához.
- Használjon megfelelő gyújtógyertya-szerszámot a gyújtógyertya óvatos eltávolításához.
- Ellenőrizze a gyújtógyertya és elektródája állapotát.
- Tisztának és nem kopottnak kell lennie.
- Ellenőrizze, hogy a gyújtógyertya távolsága 0,6 és 0,7 mm között van (8. ábra). Cserélje ki a gyújtógyertyát egy újra, ha szükséges.
- Kézzel óvatosan csavarja be a gyújtógyertyát a motorba.
- Miután becsavarta, használja a megfelelő gyújtógyertya-szerszámot a gyújtógyertya erős meghúzásához.
- Csatlakoztassa újra a gyújtógyertya vezetékét.

FIGYELMEZTETÉS: Soha ne engedje, hogy szennyeződés vagy törmelék kerüljön a henger furatába. A gyújtógyertya eltávolítása előtt alaposan tisztítsa meg a gyújtógyertyát és a hengerfej területét.

KÚDFOKOZAT

kúphajtómű-zsír 30-40 üzemióránként új lítium alapú zsírral kell feltölteni a 9. ábra szerint. Távolítsa el a csavart és az alátétet. Addig adagolja a zsírt a tengely egyidejű kézi elforgatásával, amíg a

zsír ki nem jön a furatból. Ezután szerelje vissza a csavart és az alátétet.

TISZTÍTÁS

Használjon kis puha kefét a készülék külsejének tisztításához. Ne használjon erős tisztítószereket. Az aromás olajokat, például fenyő- és citromolajat és oldószereket, például kerozint tartalmazó háztartási tisztítószerek károsíthatják a műanyag házat vagy a fogantyút. Puha ruhával törölje le a nedvességet.

SZÁLLÍTÁS

A motort le kell állítani, amikor az egységet a munkaterületek között mozgatják.

FIGYELMEZTETÉS: A motor leállítását követően a hangtompító még mindig forró. Ne érintse.

Úrítse ki az üzemanyagtartályt, és biztosítsa az egységet a mozgástól, mielőtt járműben szállítja.

Ha a penge fel van szerelve, mindig használja a fűrészlapvédőt. Mindig helyezze a fűrészlapvédőt a pengére, ha a készüléket nem használja, és ne felejtse el eltávolítani a fűrészlapvédőt, mielőtt újra használná a készüléket.

TÁROLÁS

FIGYELMEZTETÉS: Soha ne tárolja az egységet üzemanyaggal a tartályban, és mindig hagyja kihűlni, mielőtt elrakná.

FIGYELMEZTETÉS: A készüléket csak száraz és jól szellőző helyen tárolja.

Ha a készüléket hosszabb ideig tárolja, kövesse az alábbi tárolási eljárást:

1. Engedje le az összes üzemanyagot az üzemanyagtartályból.
2. Indítsa be a motort, és hagyja jární, amíg le nem áll. Ez biztosítja, hogy az összes üzemanyag kiürüljön a karburátorból.
3. Hagyja lehűlni a motort.
4. Távolítsa el a gyújtógyertyát, és öntsön 30 ml jó minőségű motorolajat vagy kétütemű olajat a hengerbe. Az olaj elosztásához lassan húzza meg az indítókötelet.
5. Helyezze vissza a gyújtógyertyát.
6. Alaposan tisztítsa meg az egységet, és ellenőrizze, hogy nincsenek-e laza vagy sérült részek. Javítsa meg vagy cserélje ki a sérült alkatrészeket, és húzza meg a meglazult csavarokat, anyákat vagy csavarokat.

KÖRNYEZETVÉDELEM

Hasznosítsa újra a nyersanyagokat ahelyett, hogy hulladékként dobná el. A gépet, a tartozékokat és a csomagolást szét kell válogatni a környezetbarát újrahasznosítás érdekében. A műanyag alkatrészek kategorizált újrahasznosítás céljából vannak felcímkézve.

GARANCIA

Erre a termékre a törvényi/országspecifikus előírásoknak megfelelő garanciát vállalunk, amely az első felhasználó általi vásárlás napjától érvényes. A normál kopásból, túlterhelésből vagy szaksze-

rűtlen kezelésből eredő károk nem tartoznak a garancia hatálya alá. Reklamáció esetén kérjük, küldje el a gépet teljesen összeszerelve a kereskedőhöz vagy a hivatalos szervizközponthoz.

LIETUVIŲ K.

BENDRIEJI SAUGOS ĮSPĖJIMAI

Prieš naudodami šį įrenginį perskaitykite ir supraskite šį savininko vadovą. Galite padėti išvengti nelaimingų atsitikimų susipažinę su savo gaminio valdikliais ir laikydamiesi saugaus naudojimo procedūrų bei saugos ženklų. Saugokite įrenginį nuo per didelės drėgmės, dulkių, purvo ar korozyvių garų. Niekada nebandykite modifikuoti gaminio. Visada vadovaukitės sveiku protu, kad išvengtumėte visų situacijų, kurios viršija jūsų galimybes. Nenaudokite įrenginio, kai esate pavargę arba apsvaigę nuo narkotikų, alkoholio ar kitų vaistų. Dirbdami saugokite vaikus ir pašalinius asmenis (6 pav.). Niekada neleiskite vaikams arba žmonėms, kurie nėra susipažinę su šiomis instrukcijomis, naudotis mašina. Vietiniai įstatymai gali apriboti minimalų operatoriaus amžių. Turėkite omenyje, kad operatorius arba naudotojas yra atsakingas už nelaimingus atsitikimus ar netikėtus įvykius, įvykusius kitiems žmonėms ar jų turtui. Kreipkitės į savo įgaliotąjį platintoją dėl išmontavimo ir techninės priežiūros, kurių šiame vadove neaprašyta.

ANGLIES MONOKSIDO PAVOJAI

Eksploatuoti tik lauke. Niekada nenaudokite variklio patalpoje, nes jis išskiria nuodingą anglies monoksidą – bekvapis ir bespalvės dujas. Įkvėpus anglies monoksido gali atsirasti pykinimas, alpimas arba mirtis.

GAISRO IR NUDEGIMO PAVOJUS

Nenaudokite vietose, kuriose yra didelis gaisro pavojus. Išmetimo sistema pakankamai įkaista, kad užsidegtų degios medžiagos. Kai kurios įrenginio dalys eksploatacijos metu labai įkaista, todėl būkite atsargūs, kad jų neliesumėte, kad nenudegtumėte. Prieš laikydami leiskite jam atvėsti.

Niekada nerūkykite šalia įrenginio. Galimi ugnies ar kibirkšties šaltiniai turi būti laikomi atokiai. Pildydami degalus, atkreipkite dėmesį į gaisro pavojų. Kilus gaisrui, naudokite tinkamą gesintuvą, specialiai sukurtą naftos ir benzino gaisrui.

DEGALŲ IR ALYVOS PAVOJUS

Benzinas ir alyva yra toksiški ir degūs. Prieš naudodami vadovaukitės kiekvieno gamintojo pateiktomis instrukcijomis.

Įsitinkinkite, kad tarp bet kurio atsarginio benzino bako ir įrenginio yra tam tikras atstumas, kad išvengtumėte nereikalingo pavojaus. Degalų pildymas tik lauke, gerai vėdinamoje vietoje, išjungus variklį. Nepildykite degalų eksploatacijos metu. Neperpildykite degalų bako. Niekada nerūkykite šalia benzino. Laikykite atokiai nuo ugnies ir kibirkščių šaltinių. Visada laikykite benzino patvirtintose talpyklose. Prieš užvesdami variklį įsitinkinkite, kad visi išsilieję degalai ir alyva buvo nuvalyti.

Lėtai atidarykite degalų baką, kad slėgis viduje palaipsniui mažėtų.

APSAUGINĖ ĮRANGA

Dirbdami su įrenginiu visada dėvėkite tinkamas ir sertifikuotas apsaugines priemones.

Naudodami mašiną visada dėvėkite tinkamus drabužius, kurie netrukdytų judėti. Visada dėvėkite plonus apsauginius drabužius, šalną, antivibracines pirštines, apsauginius akinius, puskaukę respiratorių, akustinę apsauginę įrangą ir apsauginius batus nuo kirpimo neslidais padais. Niekada nedėvėkite šalikų, marškinių, karolių ar bet kokių kabančių ar besiplečiančių priedų, kurie gali įstrigti mašinoje. Suriškite plaukus, jei jie ilgi. Kai yra dulkių pavojus, reikia naudoti kvėpavimo kaukę.

KATEGORIJS SAUGOS ĮSPĖJIMAI

SAUGI EKSPLOATACIJA

Droselio gaidukas turi judėti laisvai, jo nereikia spausti ir turi automatiškai bei greitai grįžti į neutralią padėtį.

Variklio stabdymo jungiklio rankenėlė turi lengvai judėti iš vienos padėties į kitą.

Elektros laidai, ypač uždegimo žvakės laidai, turi būti nepriekaištingos būklės, kad nesudarytų kibirkštys, o dangtelis turi būti tinkamai uždėtas ant uždegimo žvakės.

Mašinos rankenos ir apsaugos įtaisai turi būti švarūs ir sausi bei gerai pritvirtinti prie mašinos.

Ant mašinos nemontuokite įrangos ar priedų, kurių nenumatė arba nepatvirtino gamintojas. Neleistini pakeitimai ir (arba) priedai gali sukelti rimtų kūno sužalojimų arba operatoriaus ar kitų asmenų mirtį.

Rekomenduojama, kad kojos ir pėdos būtų uždegtos, kad būtų apsaugota nuo skrendančių šiukščių darbo metu.

Dirbdami visada naudokite tinkamas rankenas ir pečių diržus.

Įsitinkinkite, kad išjungėte variklį:

- Montuojant arba nuimant priedus.
- Kai paliekate mašiną be priežiūros arba kai ketinate ją padėti ant žemės.
- Degalų papildymo metu.
- Judant tarp darbo zonų.

ĮSPĖJIMAS: Besisukančios dalys gali rimtai susižaloti, venkite liestis su besisukančiomis dalimis, kai jos vis dar sukasi. Jei ant mašinos įstrigo svetimkūnis, išjunkite variklį, patikrinkite, ar mašina nepažeista, ir prieš vėl užvesdami ją suremontuokite.

ĮSPĖJIMAS: Niekada nelieskite pjovimo galvutės, kai veikia variklis.

ĮSPĖJIMAS: jei kas nors sulūžytų arba įvyktų nelaimingas atsitikimas dirbant, nedelsdami išjunkite variklį ir patraukite mašiną toliau, kad išvengtumėte tolesnių pažeidimų.

Šioje instrukcijoje nurodyti triukšmo ir vibracijos lygiai yra didžiausi mašinos naudojimo lygiai. Nepakankama priežiūra turi didelę įtaką vibracijos ir triukšmo emisijai. Vadinas, būtina imtis prevencinių priemonių, kad būtų pašalinta galima žala dėl didelio triukšmo ir vibracijos įtempimo. Tinkamai prižiūrėkite mašiną, dėvėkite ausų apsaugos priemones ir dirbdami darykite pertraukas. Naudojant mašiną stabiliau greičiu ir tvirtai laikant

rankeną tinkama jėga, gali sumažėti vibracijos lygis. Mažas variklio sūkių skaičius reiškia žemą triukšmo lygį, todėl naudokite mašiną mažiausiu variklio sūkių dažniu, reikalingu užduočiai atlikti. Darbo dienos metu darykite dažnas ir pakankamas pertraukas, kad išvengtumėte vibracijos ir ausų pažeidimų. Ilgalais vibracijos poveikis gali sukelti traumų ir neurovaskulinių sutrikimų (taip pat vadinamų „Raynaud sindromu“ arba „balta ranka“), ypač žmonėms, kenčiantiems nuo kraujotakos sutrikimų. Simptomai gali būti susiję su plauštakos, riešais ir pirštais, pasireiškiantys jautrumo praradimu, niežėjimu, skausmu ir odos spalvos pasikeitimu arba struktūriniais odos pokyčiais. Šį poveikį gali sustiprinti žema aplinkos temperatūra ir (arba) per stipriai suėmus rankenas. Atsiradus simptomams, reikia sutrumpinti mašinos naudojimo laiką ir kreiptis į gydytoją.

PAVOJAI DARBO ZONOJE

Kruopščiai apžiūrėkite visą darbo vietą ir naudokite grėblį arba kiemo šepetį, kad rankiniu būdu atlaisvintumėte šiukšles ir pašalintumėte viską, kas gali būti išklajuota iš mašinos ir tapti pavojingu šaltiniu (akmenys, šakos, geležinė viela, kaulai ir kt.) arba gali būti įspainioję į mašiną. Pjovimo galvutė. Patikrinkite, ar bent 15 metrų atstumu nuo mašinos veikimo diapazono nėra pašalinių asmenų ar gyvūnų (6 pav.).

Nenukreipkite duslintuvo, taigi ir išmetamųjų dujų į degias medžiagas.

Prieš pradėdami dirbti, visada patikrinkite, ar nėra objektų, kurie gali užblokuoti oro įleidimo ekraną. Užsikimšusi oro įsiurbimo anga sumažina mašinos našumą ir padidina variklio darbinę temperatūrą, todėl variklis gali sugesti. Neekspluatuokite variklio uždaroje erdvėje, kur gali susidaryti pavojingi anglies monoksido garai. Nenaudokite mašinos šalia atvirų langų.

Dirbkite tik dienos šviesoje arba esant geram dirbtiniam apšvietimui, esant geram matomumui. Stenkitės nesukelti jokių trikdžių. Naudokite šį įrenginį tik protingu paros metu (ne anksti ryte ar vėlai vakare, kai triukšmas gali sukelti trikdžių). Dirbant sausoje dulkelioje dirvoje, rekomenduojama paviršių šiek tiek sudrėkinti ir/arba naudoti atitinkamą dulkių kaukę.

Užimkite tvirtą ir gerai subalansuotą poziciją. Jei įmanoma, nedirbkite ant šlapios, slidžios žemės arba bet koku atveju nelygioje ar stačioje vietoje, kuri negarantuoja operatoriui stabilumo.

PRODUKTO SPECIFIKACIJOS

PASKIRTIS

Ši mašina buvo suprojektuota ir pagaminta žolės pjovimui ir augimui, pvz., vejose, takuose, automobilių stovėjimo aikštelėse ir keliuose.

Bet koks kitas naudojimas, kuris skiriasi nuo pirmiau minėtų, gali būti pavojingas, pakenkti žmonėms ir (arba) sugadinti daiktus ir mašiną.

NETINKAMAS NAUDOJIMAS

Mašina negalima pjauti pavojingų medžiagų, pvz., susikaupusių degių ar sprogių gaminių, užsidegus-

ių cigarečių, stiklo gabalų, aštrių daiktų, metalinių daiktų, akmenų ir kitų objektų, kurie gali būti pavojingi operatoriui ir kitiems.

Netinkamo naudojimo pavyzdžiai gali būti, bet tuo neapsiribojant:

- Pjovimo galvutės nukreipimas į žmones ir/arba gyvūnus;
- Mašinos naudojimas be priedų, kuriuos gamintojas specialiai tiekia konkreitiems tikslams, arba priedų naudojimas šioje instrukcijoje nenumatytu būdu;
- Mašiną naudoja daugiau nei vienas asmuo.

TECHNINIAI DUOMENYS

Straipsnio numeris		45 561	47 591
Modelis		GBC 252C PLUS	GBC 254C PLUS
Cilindro poslinkis	cc	52	54
Tuščiosios eigos greitis	rpm	3.100 ±400	3.100 ±400
Maksimali variklio galia	kW / hp	1,4 / 1,9	1,8 / 2,4
Maksimalus variklio greitis	rpm	9.000	9.000
Išėjimo veleno greitis	rpm	8.250	8.250
Uždegimo žvakė		NGK BPRM7A	NGK BPRM7A
Elektrodo tarpas	mm	0,6-0,7	0,6-0,7
Kuro bako talpa	L	1,2	1,2
Svoris be degalų, pjovimo įtaiso ir apsaugos	kg	7,8	7,8
Triukšmo emisija			
Garso galios lygis, išmatuotas	dB (A)	98,7	98,7
Nežinomybė	dB (A)	3	3
Garso galios lygis, garantuotas	dB (A)	114	114
Lygiavertis vibracijos lygis			
Išmatuotas vibracijos lygis prie rankenos	m/s ²	8,03	8,03
Nežinomybė	m/s ²	1,5	1,5
Priedai			
Žoliapjovės galvutė		Tap & Go	Tap & Go
Žoliapjovės valas Φ	mm	2,4	2,4
Šepčio ašmenys	mm	255	255

IDENTIFIKAVIMAS

1. Kūginės pavaros dėklas
2. Nailono galvutė
3. Nuolaužų skydas
4. Droselio valdymas
5. Pakabos kablo taškas
6. Sankaba
7. Variklis
8. Rankenos reguliavimo rankenėlė
9. Dviracio tipo rankena
10. Velenas
11. Atatrankos pradžia
12. Kuro bako dangtelis
13. Kuro bakas
14. Užspringti
15. Oro gaiviklis
- 16.

OPERACIJA

PARUOŠIMAS

Išpakavimas ir surinkimas turi būti atliekamas ant lygaus ir stabilaus paviršiaus, turint pakankamai vietos mašinai ir jos pakuočioms perkelti, visada naudojant tinkamą įrangą. Įstatykite rankeną į laikiklį, pastatydami rankeną į patogią padėtį ir priverždami keturis varžtus. Ant veleno sumontuokite gaubtą nuo šiukšlių naudodami pateiktą laikiklį ir varžtus. Priveržkite varžtus po to, kai pastatysite apsauginio dangčio laikiklį į atitinkamą padėtį.

AŠMENŲ MONTAVIMAS

Norėdami sumontuoti pjovimo geležtę (3 pav.):

1. Įkiškite šešiakampį raktą (2) į konkrečią kampinės transmisijos (1) angą ir ranka sukite ašmenis (4), kol šešiakampis raktas pateks į vidinę angą, blokuodamas sukimąsi.
2. Atsukite veržlę (7) pagal laikrodžio rodyklę ir nuimkite dangtelį (6).
3. Ištraukite išorinę žiedinę veržlę (5) ir nuimkite ašmenis (4).
4. Įsitinkinkite, kad vidinės žiedinės veržlės (3) grioveliai puikiai sutampa su kampine pavara (1).
5. Sumontuokite peilį (4) ir išorinį žiedą – veržlę (5).
6. Uždėkite dangtelį (6) ir veržlę (7), iki galo priverždami prieš laikrodžio rodyklę.
7. Nuimkite šešiabriaunį raktą (2).

ĮSPĖJIMAS: Kad nesusižeistumėte, dėvėkite apsaugines pirštines.

ĮSPĖJIMAS: Per didelė ašmenų vibracija gali reikšti, kad jis netinkamai pritvirtintas ir gali sugesti mašina ir (arba) susižaloti. Nedelsdami išjunkite variklį ir patikrinkite ašmenų montavimą.

NAILONINĖS GALUTĖS ĮDIEGIMAS

Norėdami sumontuoti nailoninę galvutę (4 pav.): Įkiškite šešiakampį raktą (2) į konkrečią kampinės pavaros (1) angą ir ranka pasukite pjovimo linijos galvutę (4), kol šešiakampis raktas pateks į vidinę angą, blokuodamas sukimąsi. Atsukite pjovimo linijos galvutę (4) pagal laikrodžio rodyklę ir nuimkite. Ištraukite išorinę žiedinę veržlę (5).

Įsitinkinkite, kad vidinės žiedinės veržlės (3) grioveliai puikiai sutampa su kampine pavara (1).

Uždėkite išorinę žiedinę veržlę (5).

Sumontuokite pjovimo linijos galvutę (4), prisukdami ją prieš laikrodžio rodyklę.

Nuimkite šešiabriaunį raktą (2).

PASTABA: Norėdami pakeisti nailoninę galvutės liniją, žr. 5 pav.

ĮSPĖJIMAS: Naudokite tik kokybišką 2,5 mm skersmens nailono monofilamentinį siūlą. Niekada nenaudokite vielos ar vielų sutvirtinto lyno vietoj nailono žoliapjovės. Į nailoninę lyno pjovimo galvutę įdėkite tik tinkamo skersmens nailoninės kirpimo linijos.

PEČIŲ DIRŽŲ NAUDOJIMAS

Norėdami naudoti pečių diržą:

1. Surinkite ir sureguliuokite pečių diržus ir diržą, kaip parodyta 6 pav.
2. Užkabinkite užrakto skirtuką ant diržų kablo.
3. Jei žoliapjovė nesubalansuoja, sureguliuokite diržų pakabą ir vairą, kol žoliapjovė subalansuos.

ĮSPĖJIMAS: kabliukas yra ties dešiniuoju klubu, o greito atsegimo fiksatorius yra išorėje. Prieš naudodami įrenginį, sužinokite, kaip greitai atkabinti įrenginį nuo diržų, patraukdami greito atleidimo sklaščio skirtuką aukštyn.

ĮSPĖJIMAS: Dirbdami įrenginį tvirtai suimkite abiem rankomis laikydami įrenginį dešine ranka už gaiduko rankenos, o kaire ranka už kairiosios rankenos.

Prieš pradėdami dirbti prašome:

1. Patikrinkite, ar visi mašinos varžtai, veržlės ir jungiamosios detalės yra tvirtai pritvirtinti.
2. Patikrinkite, ar oro filtras yra švarus ir, jei reikia, pakeiskite nauju.
3. Paruoškite priedus ir įsitinkinkite, kad jie tinkamai sumontuoti.
4. Patikrinkite, ar saugiai pritvirtinta apsauga.
5. Įpilkite degalų, kaip nurodyta toliau, ir įsitinkinkite, kad nėra kuro nuotėkio.
6. Patikrinkite, ar nepažeista nailoninė galvutė arba ašmenys.

DEGALŲ PILDYMAS IR TEPIMAS

ĮSPĖJIMAS: Pildami degalus niekada nerūkykite ir neįkvėpkite benzino garų.

Įrenginyje yra 2 taktų variklis. Todėl visada turi būti naudojamas bešvinio benzino (89 ar didesnio oktaninio skaičiaus) ir 2 taktų alyvos mišinys. Naudokite tik benzimą, kuriame nėra etanolio ar metanolio. Labai svarbu atkreipti dėmesį į naudojamą kuro mišinį, nes reikia gauti tikslų alyvos ir kuro mišinį. Maži alyvos ir degalų mišinio kiekiai su nedideliais netikslumais gali turėti įtakos mišinio santykiui, dėl ko variklis gali perkaisti ir rimtai sugadinti variklį. Rekomenduojama maišyti tik tiek, kiek reikia darbu, kurį ruošiate atlikti, kad išliktų tik šviežias mišinys.

ĮSPĖJIMAS: Atsargiai atidarykite bako dangtelį, nes viduje galėjo susidaryti slėgis.

Turi būti naudojama specialiai surkurta 2 taktų alyva, skirta oru aušinamiems 2 taktams varikliams. Nenaudokite 2 taktų alyvos, skirtos vandeniu auši-

namiems varikliams. Niekada nenaudokite prastos kokybės alyvos arba 4 taktų variklio alyvos.

Siekiant geriausių rezultatų ir efektyvumo, benzino ir alyvos maišymo santykis yra 30:1.

Prieš maišydami degalus, visada naudokite švarų indą kurui. Prieš pildami mašinos kuro baką, gerai išmaišykite ir suplakite kuro mišinį. Nenaudokite kuro mišinio, laikomo ilgiau nei mėnesį. Prieš sandėliuojant mašinos degalų baką reikia ištuštinti.

Mašiniai pildyti degalus visada naudokite piltuvą.

Neperpildykite. Palikite mažiausiai 5 mm tarpą tarp kuro ir alyvos mišinio viršaus ir bako vidinio krašto, kad galėtū išsiplėsti. Degalų baką rekomenduojama užpildyti iki $\frac{3}{4}$ viso jo potencialo.

ĮSPĖJIMAS: Visada tvirtai uždarykite degalų bako dangtelį.

IRENGINIO PALEIDIMAS

1. Pasukite uždegimo jungiklį į „START“ padėtį.
2. Pakartotinai švelniai paspauskite užpildymo siurbį (7–10 kartų), kol degalai pateks į užpildymo siurbį.
3. Šalto užvedimo atveju: patraukite sklendės svirtį aukštyn, kad uždarytumėte droselį.
4. Pasukite droselio gaiduką į laikykite jį tokioje padėtyje su droselio užraktu (jei yra).
5. Patraukite atatranks paleidimą, kol variklis užsives. Jei atatranks paleidimas pakartotinai traukiamas su įjungtu droseliu, jis gali užlieti variklį ir apsunkinti užvedimą. Jei užpylėte variklį, ištraukite uždegimo žvakę ir švelniai patraukite už starterio lyno rankenos, kad pašalintumėte kuro perteklių. Tada pakeiskite sausą kibirkštį ir bandykite dar kartą.

ĮSPĖJIMAS: Kad nenutrūktų starterio virvė, netaurkite jos per visą ilgį ir neleiskite jai slysti kabelio kreipklio angos kraštu. Palaipsniui atleiskite starterį, kad neleistumėte jam nevaldomai kristi atgal.

6. Kai variklis užvedamas ir tuščiaja eiga, grąžinkite droselio svirtį atgal, kad atidarytumėte droselį.
7. Išjunkite droselio užraktą (jei yra), trumpai paspausdami droselio gaiduką.
8. Prieš naudodami leiskite varikliui keletą minučių sušilti.

PASTABA: Kai variklis yra karštas, droselis visą laiką turi likti padėtyje „RUN“.

IRENGINIO VALDYMAS

Pjovimo galvutė sukasi prieš laikrodžio rodyklę. Žoliapjovės linijos pjovimo peilis yra dešinėje šiuokšlių skydo pusėje.

Pjaunant beveik visą galvos liniją, rekomenduojama pakreipti galvos liniją taip, kad kontaktas būtų su linijos apskritimo dalimi, kuri tolsta nuo jūsų ir nuo šiuokšlių skydo. Dėl to visos šiuokšlės bus nukreiptos nuo jūsų. Jei pjaunate užtvartą, pvz., tvorą, sieną ar medį, priartėkite tokiu kampu, kad rikošetu nustumtumėte nuo jūsų skraidančias šiuokšles.

ĮSPĖJIMAS: Nepjaukite ten, kur nematote, ką pjaunama pjovimo įrankis.

Peilis naudojamas iki $\frac{3}{4}$ colio skersmens augimui pjauti.

ĮSPĖJIMAS: Nenaudokite krūmapjovės medžiams, kurių skersmuo didesnis nei $\frac{1}{2}$ – $\frac{3}{4}$ ", pjauti.

ĮSPĖJIMAS: Visada atkreipkite dėmesį į ašmenų trauką. Ašmenų trauka yra reakcija, kuri gali atsirasti, kai besisukantis peilis prisiliečia prie nieko, kas negali pjauti; dėl to peilis akimirksniu sustoja ir gali atsirasti jėga, galinti nustumti krūmapjovę nuo kliūtis, su kuria susidūrė.

IRENGINIO SUSTABDYMAS

1. Atleiskite ranką nuo droselio valdiklio. Leiskite varikliui atvėsti, 2–3 minutes veikdami tuščiaja eiga.
2. Jei jūsų įrenginyje yra spyruoklinis įjungimo/išjungimo jungiklis, paspauskite ir palaikykite mygtuką „O“ padėtyje, kol variklis sustos. Priešingu atveju paspauskite jungiklį į padėtį „Išjungta“.

PRIEŽIŪRA IR VALYMAS

ĮSPĖJIMAS: Niekada neatlikite priežiūros ar valymo, kai įrenginys veikia. Visada dirbkite su vėsiu įrenginiu.

ĮSPĖJIMAS: Prieš valydami arba atlikdami priežiūros darbus, atjunkite uždegimo žvakės dangtelį ir perskaitykite atitinkamas instrukcijas. Kai kyla pavojus jūsų rankoms, dėvėkite tinkamus drabužius ir dėvėkite apsaugines pirštines.

Bet kokius šiame vadove neaprašytus reguliavimus ar technines priežiūros darbus turi atlikti pardavėjas arba specializuotas techninės priežiūros centras, turintis reikiamą žinių ir įrangos, kad būtų užtikrinta, jog darbas būtų atliktas teisingai, išlaikant pradinį mašinos saugos lygį. Bet kokios operacijos, atliekamos neleistinuose centruose arba ne kvalifikuotų asmenų, visiškai panaikins garantiją ir visus gamintojo įsipareigojimus bei atsakomybę.

Priveržkite visas varžles ir varžtus, kad įsitikintumėte, jog mašina visada yra saugios darbinės būklės. Įprasta priežiūra yra būtina siekiant užtikrinti saugumą ir išlaikyti aukštą našumo lygį.

ĮSPĖJIMAS: Niekada nenaudokite mašinos su susidėvėjusiomis ar pažeistomis dalimis. Sugedusios arba susidėvėjusios dalys visada turi būti pakeistos, o ne taisomos. Naudokite tik originalias atsargines dalis.

Daiktai		Dažnis				
		Prieš kiekvieną naudojimą	Kiekvieno kuro papildymo metu	Po kiekvieno naudojimo	Kas savaitę arba kas 10 darbo valandų	Kas mėnesį arba kas 50 darbo valandų
Pilnas vienetas	Apžiūra	✓	✓	✓		
	Švarus			✓		

Dažnis		Prieš kiekvieną naudojimą	Kiekvieno kuro papildymo metu	Po kiekvieno naudojimo	Kas savaitę arba kas 10 darbo valandų	Kas mėnesį arba kas 50 darbo valandų	Kas 12 mėnesių arba kas 100 darbo valandų
Daiktai							
Valdymo rankenos	Patikrinti	✓	✓	✓			
	Patikrinkite ir išvalykite			✓*	✓*		
Oro filtras	Pakeiskite					✓	
	Patikrinkite ir sureguliuokite				✓*		
Uždegimo žvakė	Pakeiskite						✓
	Švarus					✓*	
Kuro filtras	Pakeiskite						✓
	Tušiosios eigos patikrinimas			✓			
Karbiuratorius	Aptarnavimas						✓**
	Kūginės pavaros tepalas	Patikrinkite ir užpildykite			✓		
Kuro vamzdis	Patikrinti						✓**
Aušimo angos	Patikrinkite ir išvalykite	✓	✓	✓			
Pjovimo įranga	Patikrinti	✓	✓	✓			
Pjovimo apsauga	Patikrinti	✓	✓	✓			
Pakinktai	Patikrinti	✓	✓	✓			
* Jei reikia, šiuos elementus reikia pakeisti.							
**Šiuos elementus turėtų prižiūrėti ir taisyti tik įgaliotasis atstovas, turintis tinkamus įrankius ir reikiamus mechaninius įgūdžius.							

ĮŠMETAMŲJŲ ANTAS IR DULKINTUVAS

Priklausomai nuo naudojamo degalų ir mišinio santykio tipo bei darbo sąlygų, išmetimo anga ir duslintuvai gali užsikimšti dėl anglies nuosėdų. Jei eksploatuojami įrenginį pastebėjote elektros energijos tiekimą, kreipkitės į kvalifikuotą techninės priežiūros centrą, kad atliktumėte įrenginio techninę priežiūrą.

ORO FILTRAS

1. Atsukite varžtą nuo oro filtro dangtelio ir nuimkite dangtelį.
2. Įsitinkite, kad oro filtras yra švarus ir geros būklės.

3. Jei oro filtras yra nešvarus, išimkite ir išvalykite.
4. Išplaukite putplasčio elementą buitinio ploviklio ir šilto vandens tirpale, tada gerai išskalaukite arba nuplaukite nedegiamame arba aukštos plūpsnio temperatūros tirpiklyje.
5. Švelniai suspauskite alyvos filtrą. Leiskite putplasčio elementui gerai išdžiūti.
6. Sudrėkinkite putplasčio elementą švarioje variklio alyvoje ir švelniai išspauskite alyvos perteklių. Variklis pradės rūkyti pradinio užvedimo metu, jei putplasčio elemente liko per daug alyvos.

7. Vėl įstatykite oro filtrą ir atlikite atvirkštinę procedūrą, kad vėl uždėkite oro filtro dangtelį.

PASTABA: Jei variklis dažnai dirba dulketomis ar kitomis sunkiomis aplinkybėmis, valykite oro filtro elementą kas 10 valandų. Jei reikia, keiskite oro filtro elementą kas 25 valandas.

PASTABA: Oro filtre susikaupusios dulkės sumažins variklio efektyvumą, dėl to prarandama galia ir padidėja degalų sąnaudos.

UŽDEGIMO ŽVAKĖ

1. Ištraukite uždegimo žvakės laidą, kad pasiektumėte uždegimo žvakę.
2. Naudokite tinkamą uždegimo žvakės įrankį, kad atsargiai ištrauktumėte uždegimo žvakę.
3. Patikrinkite uždegimo žvakės ir jos elektrodo būklę.
4. Ji turi būti švari ir nedėvėta.
5. Patikrinkite, ar uždegimo žvakės tarpas yra tarp 0,6 ir 0,7 mm (8 pav.). Jei reikia, pakeiskite uždegimo žvakę nauja.
6. Atsargiai ranka įkiškite uždegimo žvakę į variklį.
7. Įsriegę sriegį, naudodami atitinkamą uždegimo žvakės įrankį tvirtai priveržkite uždegimo žvakę.
8. Vėl prijunkite uždegimo žvakės laidą.

ĮSPĖJIMAS: Niekada neleiskite nešvarumams ar šiukšlėms patekti į cilindro angą. Prieš išimdami uždegimo žvakę, kruopščiai nuvalykite uždegimo žvakę ir cilindro galvutės sritį.

KŪGINĖ PAVARA

Kūginės pavaros tepalas turi būti papildytas nauju ličio pagrindu pagamintu tepalu kas 30–40 darbo valandų, kaip parodyta 9 pav.. Nuimkite varžtą ir poveržlę. Tiekkite tepalą, tuo pačiu metu sukdami veleną rankiniu būdu, kol tepalas išeis iš skylės. Tada vėl uždėkite varžtą ir poveržlę.

VALYMAS

Nedidelį minkštą šepetėlį valykite įrenginio išorę. Nenaudokite stiprių ploviklių. Buitiniai valikliai, kurių sudėtyje yra aromatinių aliejų, pvz., pušų ir citrinų, ir tirpiklių, tokių kaip žibalas, gali pažeisti plastikinį korpusą arba rankeną. Drėgmę nuvalykite minkšta šluoste.

TRANSPORTAS

Variklis turi būti išjungtas, kai įrenginys perkeliamas tarp darbo zonų.

ĮSPĖJIMAS: Sustojus varikliui duslintuvai vis dar karštas.

Nelieskite.

Prieš transportuodami į transporto priemonę, ištuštinkite degalų baką ir apsaugokite įrenginį, kad jis nepajudėtų.

Jei peilis yra sumontuotas, visada naudokite ašmenų apsaugą. Visada uždėkite ašmenų apsaugą ant ašmenų, kai įrenginys nenaudojamas, ir nepamirškite nuimti ašmenų apsaugos prieš vėl naudodami įrenginį.

SANDĖLIAVIMAS

ĮSPĖJIMAS: Niekada nelaikykite įrenginio su degalų bake ir visada leiskite įrenginiui atvėsti prieš padėdami.

ĮSPĖJIMAS: įrenginį laikykite tik sausose ir gerai vėdinamose patalpose.

Jei įrenginys bus saugomas ilgesnį laiką, naudokite šią saugojimo procedūrą:

1. Iš kuro bako išleiskite visus degalus.
2. Užveskite variklį ir leiskite jam veikti, kol užges. Tai užtikrina, kad iš karbiuratoriaus buvo išleisti visi degalai.
3. Leiskite varikliui atvėsti.
4. Ištraukite uždegimo žvakę ir į cilindrą įpilkite 30 ml aukštos kokybės variklio alyvos arba 2 taktų alyvos. Lėtai traukite starterio virvę, kad pasiskirstytų alyva.
5. Vėl įstatykite uždegimo žvakę.
6. Kruopščiai išvalykite įrenginį ir patikrinkite, ar nėra palaidų ar pažeistų dalių. Pataisykite arba pakeiskite pažeistas dalis ir priveržkite atsilaisvintus varžtus, veržles arba varžtus.

APLINKOS APSAUGA

Perdirbkite žaliavas, o ne išmeskite kaip atliekas. Mašina, priedai ir pakuotės turi būti rūšiuojamos, kad būtų galima perdirbti aplinkai nekenksmingą. Plastikiniai komponentai yra paženklinti, kad juos būtų galima perdirbti.

GARANTIJA

Šiam gaminiui suteikiama garantija pagal teisinius / konkrečios šalies reglamentus, kurie galioja nuo pirmojo naudotojo įsigijimo datos. Garantija netaikoma žalai, atsiradusioms dėl normalaus nusidėvėjimo, perkrovos ar netinkamo naudojimo. Jei turite pretenzijų, visiškai surinktą mašiną nusiųskite pardavėjui arba oficialiam aptarnavimo centrui.

EN	EU DECLARATION OF CONFORMITY		We declare under our sole responsibility that the listed products comply with all applicable provisions of the below directives and are also in conformity with the following standards. Production year and serial number are on the product. The relative technical file is at the below address.	
	PETROL BRUSHCUTTER			
	MODEL	Article number		
FR	DÉCLARATION CE DE CONFORMITÉ		Nous déclarons sous notre propre responsabilité que les produits décrits sont conformes à toutes les dispositions applicables des directives ci-dessous et sont également conformes aux normes suivantes. L'année de production et le numéro de série figurent sur le produit. Le dossier technique correspondant est à l'adresse ci-dessous.	
	DÉBROUSSAILLEUSE À ESSENCE			
	MODÈLE	Numéro de l'article		
IT	DICHIARAZIONE CE DI CONFORMITÀ		Dichiariamo sotto la nostra piena responsabilità che i prodotti indicati sono conformi a tutte le disposizioni applicabili delle seguenti direttive e sono inoltre conformi alle seguenti norme. Anno di produzione e numero di serie sono sul prodotto. La relativa scheda tecnica è al seguente indirizzo.	
	DECESPUGLIATORE A BENZINA			
	MODELLO	Codice prodotto		
EL	ΔΗΛΩΣΗ ΣΥΜΜΟΡΦΩΣΗΣ EK		Δηλώνουμε με αποκλειστική μας ευθύνη, ότι τα αναφερόμενα προϊόντα συμμορφώνονται με όλες τις σχετικές διατάξεις των κάτωθι οδηγιών και είναι επίσης σύμφωνα με τα ακόλουθα πρότυπα. Το έτος παραγωγής και ο σειριακός αριθμός αναγράφονται στο προϊόν. Ο τεχνικός φάκελος είναι στην παρακάτω διεύθυνση.	
	ΘΑΜΝΟΚΟΠΤΙΚΟ ΒΕΝΖΙΝΗΣ			
	ΜΟΝΤΕΛΟ	Κωδικός προϊόντος		
SR	CE IZJAVA O USAGLAŠENOSTI		Na sopstvenu odgovornost izjavljujemo, da navedeni proizvodi poštiju sve važeće odredbe dole navedenih direktiva i da su takođe u skladu sa sledećim standardima. Proizvodna godina i serijski broj su na proizvodu. Relativna tehnološka datoteka je na donje adrese.	
	BENZINSKI TRIMER ZA TRAVU			
	MODEL	Broj predmeta		
HR	EU IZJAVA O SUKLADNOSTI		Pod punom odgovornošću izjavljujemo da navedeni proizvodi u skladu sa svim primjenjivim odredbama dolje navedenih direktiva, a također su u skladu sa sledećim standardima. Godina proizvodnje i serijski broj su na proizvodu. Relativna tehnička datoteka nalazi se na donjoj adresi.	
	BENZINSKI TRIMER ZA TRAVU			
	MODEL	Broj artikla		
RO	DECLARAȚIE DE CONFORMITATE UE		Declarăm pe proprie răspundere că produsele menționate respectă toate prevederile aplicabile din directivele de mai jos și sunt, de asemenea, conforme cu următoarele standarde. Anul de producție și numărul de serie sunt pe produs. Fișierul tehnic relativ se află la adresa de mai jos.	
	MOTOCOASĂ PE BENZINĂ			
	MODEL	Număr articol		
HU	EU MEGFELELŐSÉGI NYILATKOZAT		Kijelentjük kizárólagos felelősségünkre, hogy a felsorolt termékek megfelelnek az alábbi irányelvek összes vonatkozó rendelkezésének, és megfelelnek a következő szabványoknak is. A gyártási év és a sorozatszám a termékben található. A relatív műszaki fájl az alábbi címen található.	
	BENZINES BOZÓTVÁGÓ			
	MODELL	Cikk szám		
LT	ES ATITIKTIES DEKLARACIJA		Mes, prisiimdami visą atsakomybę, pareiškiame, kad išvardyti produktai atitinka visas taikomas toliau nurodytų direktyvų nuostatas ir taip pat atitinka šiuos standartus. Gamybos metai ir serijos numeris yra ant gaminio. Santykinis technologinis failas yra žemiau nurodytu adresu.	
	BENZININĖ KRŪMAPJOVĖ / TRIMERIS			
	MODELIS	Straipsnis Numeris		
	GBC 252C PLUS GBC 254C PLUS	45 561 47 591	2006/42/EC 2014/30/EU	EN ISO 11806-1:2011 EN ISO 14982:2009

Aimilios G. Theodorou
Electrical Engineer,
Safety Officer



17/10/2022
FF GROUP TOOL INDUSTRIES,
19300 Aspropyrgos-Greece.

**FF GROUP TOOL
INDUSTRIES**
9,5km Attiki Odos,
Aspropyrgos
19300, Athens, Greece
Tel. +30 210 55 98 400





FF GROUP TOOL INDUSTRIES



9,5 Km Attiki Odos, Aspropyrgos

19300, Athens, Greece



+30 210 55 98 400



info@ffgroup-toolindustries.com



www.ffgroup-tools.com