

FFGROUP®



HPW 155i PRO

EN

ORIGINAL INSTRUCTIONS

FR

NOTICE ORIGINALE

IT

ISTRUZIONI ORIGINALI

EL

ΠΡΩΤΟΤΥΠΟ ΟΔΗΓΙΩΝ ΧΡΗΣΗΣ

SR

ORIGINALNO UPUTSTVO ZA RAD

HR

ORIGINALNE UPUTE ZA RAD

RO

INSTRUCȚIUNI DE FOLOSIRE ORIGINALE

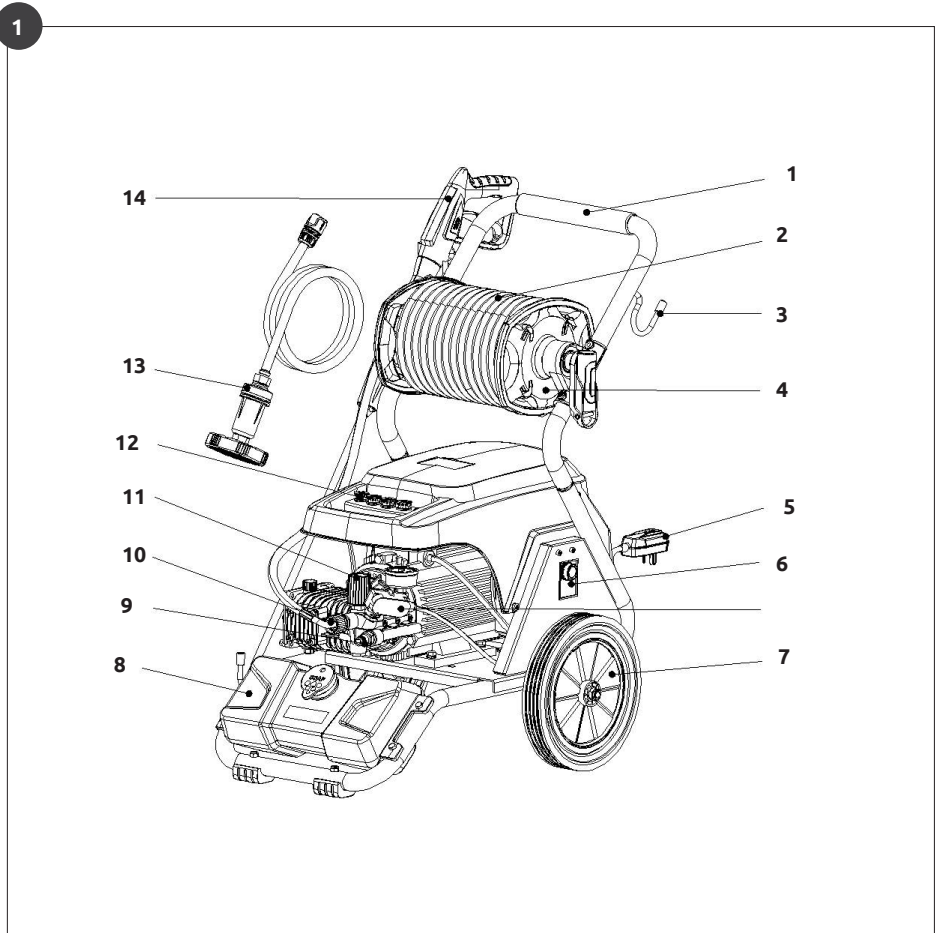
HU

EREDETI UTASÍTÁSOK

LT

ORIGINALIOS INSTRUKCIJOS

EXPLANATION OF SYMBOLS / EXPLICATION DES SYMBOLES / SPIEGAZIONE DEI SIMBOLI / ΕΠΕΞΗΓΗΣΗ ΣΥΜΒΟΛΩΝ / OBJAŠNJENJE SIMBOLA / OBJAŠNJENJE SIMBOLA / EXPLICAREA SIMBOLURILOR / SZIMBÓLUMOK JELENTÉSE / SIMBOLIŲ PAAIŠKINIMAS		6
EN	HIGH PRESSURE WASHER	10
FR	NETTOYEUR HAUTE PRESSION	14
IT	IDROPULTRICE ALTA PRESSIONE	18
EL	ΠΛΥΣΤΙΚΟ ΜΗΧΑΝΗΜΑ ΥΨΗΛΗΣ ΠΙΕΣΗΣ	22
SR	ČISTAČ VISOKOG PRITISKA	26
HR	VISOKOTLAČNI UREĐAJ ZA ČIŠĆENJE	30
RO	MAŠINĂ DE CURĂȚAT CU ÎNALTĂ PRESIUNE	34
HU	MAGASNYOMÁSÚ MOSÓ	38
LT	AUKŠTO SLĖGIO ŠALTO VANDENS PLOVYKLA	42
CE		47



2



3



4



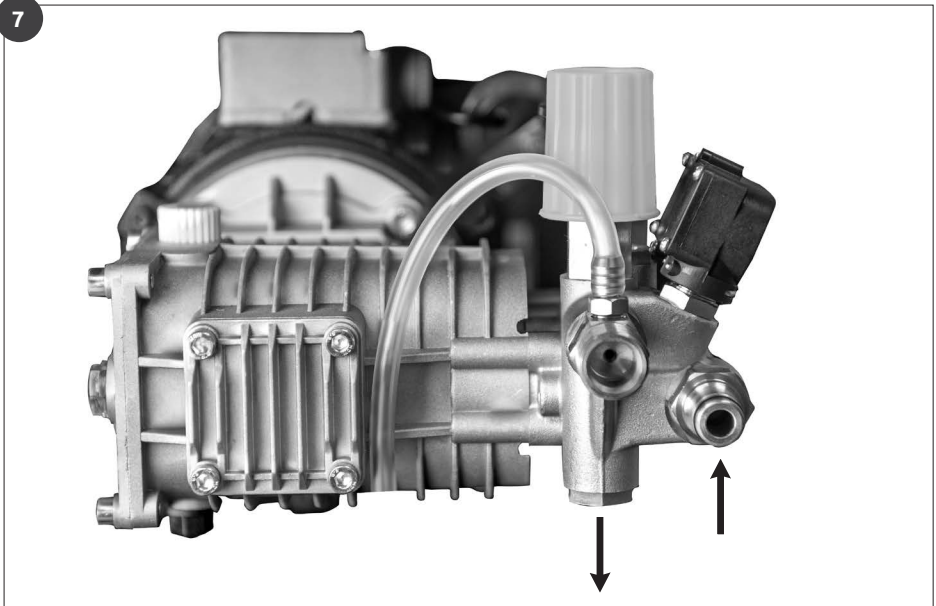
5



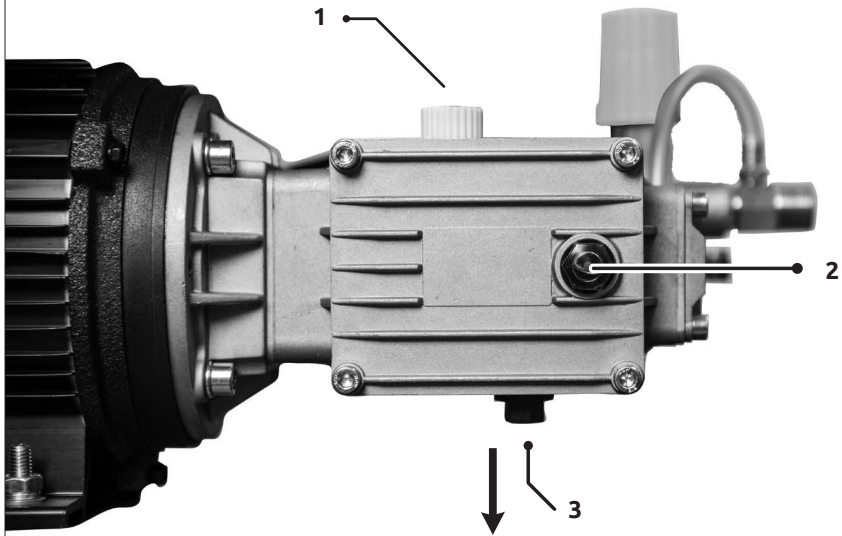
6











7








8



	ENGLISH	FRANÇAIS	ITALIANO	ΕΛΛΗΝΙΚΑ
	EXPLANATION OF SYMBOLS	EXPLICATION DES SYMBOLES	SPIEGAZIONE DEI SIMBOLI	ΕΠΕΞΗΓΗΣΗ ΣΥΜΒΟΛΩΝ
	Always read and understand the instructions before operating	Afin de minimiser les risques de blessures, l'utilisateur doit lire et assimiler ce manuel avant d'utiliser ce produit	Per ridurre il rischio di infortuni, prima di usare il prodotto, l'utente deve leggere il manuale	Διαβάστε τις οδηγίες λειτουργίας και ασφάλειας πριν χρησιμοποιήσετε το εργαλείο
	Always wear appropriate eye protection when operating in form of goggles	Portez toujours une protection oculaire appropriée lorsque vous utilisez des lunettes	Indossare sempre un'adeguata protezione oculare quando si opera in forma di occhiali	Να φοράτε πάντα τα κατάλληλα γυαλιά προστασίας κατά τη λειτουργία
	Always wear appropriate protective breathing mask when operating	Portez toujours un masque respiratoire protecteur approprié lors de l'opération	Indossare sempre un'adeguata maschera protettiva durante il funzionamento	Να φοράτε πάντα την κατάλληλη μάσκα αναπνοής κατά τη λειτουργία
	Always wear appropriate ear protection when operating	Portez toujours une protection de l'oreille appropriée lors de l'exploitation	Indossare sempre un'adeguata protezione dell'orecchio quando si opera	Να φοράτε πάντα την κατάλληλη προστασία αυτιών κατά τη λειτουργία
	Always wear appropriate hand protection when operating	Portez toujours une protection appropriée pour les mains lors de l'exploitation	Indossare sempre la protezione della mano appropriata quando si opera	Να φοράτε πάντα την κατάλληλη προστασία χεριών κατά τη λειτουργία
	Always wear appropriate feet protection when operating	Portez toujours une protection appropriée des pieds lors de l'exploitation	Indossare sempre la protezione appropriata dei piedi quando si opera	Να φοράτε πάντα κατάλληλη προστασία ποδιών κατά τη λειτουργία
	Remove unit from electric supply before cleaning, adjusting or maintaining	Retirer l'unité de l'alimentation électrique avant de nettoyer, ajuster ou entretenir	Rimuovere l'unità dall'alimentazione elettrificata prima di pulire, regolare o mantenere	Αφαιρέστε τη μονάδα από την παροχή ηλεκτρικού ρεύματος πριν από τον καθαρισμό, τη ρύθμιση ή τη συντήρηση
	Never direct output towards people, animals, nearby equipment that could be damaged or the unit itself	Ne jamais diriger la sortie vers des personnes, des animaux, des équipements à proximité qui pourraient être endommagés ou l'unité elle-même	Non dirigere mai l'uscita verso persone, animali, apparecchiature vicine che potrebbero essere danneggiate o l'unità stessa	Ποτέ μην κατευθύνετε την έξοδο προς ανθρώπους, ζώα, κοντινό εξοπλισμό που μπορεί να υποστεί ζημιά ή την ίδια τη μονάδα

SRPSKI	HRVATSKI	ROMÂNĂ	MAGYAR	LIETUVIŲ K.
OBJAŠNENJE SIMBOLA	OBJAŠNENJE SIMBOLA	EXPLICAREA SIMBOLURILOR	SZIMBÓLUMOK JELENTÉSE	SIMBOLIŲ PAAIŠKINIMAS
Kako bi se smanjili rizici od povreda, neophodno je da korisnik pročita i razume ovo uputstvo pre korišćenja proizvoda	Kako bi se smanjila opasnost od ozljede, korisnik mora s razumijevanjem pročitati ovaj priručnik	Pentru a reduce riscul de vătămare corporală, utilizatorul trebuie să citească și să înțeleagă acest manual înainte de a utiliza acest produs	Használat előtt mindig olvassa el és értse meg az utasításokat	Prieš pradėdami dirbti, visada perskaitykite ir supraskite instrukcijas
Uvek nosite odgovarajuću zaštitu za oči kada radila u obliku zaštitnih naočara	Uvijek nosite odgovarajuću zaštitu očiju kada djelujete u obliku naočala	Purtați întotdeauna o protecție adecvată a ochilor atunci când acționați sub formă de ochelari de protecție	Munka közben mindig viseljen megfelelő szemvédőt	Dirbdami visada dėvėkite tinkamas akių apsaugos priemonės
Uvek nosite odgovarajuću zaštitnu masku za disanje prilikom rada	Prilikom rada uvijek nosite odgovarajuću zaštitnu masku za disanje	Purtați întotdeauna o mască de respirație de protecție adecvată în timpul	Munka közben mindig viseljen megfelelő légzőmaszkot	Dirbdami visada dėvėkite tinkamą apsauginę kvėpavimo kaukę
Uvek nosite odgovarajuću zaštitu za uši kada radila	Uvijek nosite odgovarajuću zaštitu za uši prilikom rada	Purtați întotdeauna o protecție adecvată a urechii în timpul funcționării	Munka közben mindig viseljen megfelelő szem- és hallásvédőt	Dirbdami visada dėvėkite tinkamas akių ir klausos apsaugos priemonės
Uvek nosite odgovarajuću zaštitu ruku kada radila	Prilikom rada uvijek nosite odgovarajuću zaštitu ruku	Purtați întotdeauna o protecție adecvată a mâinii în timpul funcționării	Munka közben mindig viseljen megfelelő kézvédőt	Dirbdami visada dėvėkite tinkamą rankų apsaugą
Uvek nosite odgovarajuću zaštitu stopala kada radila	Uvijek nosite odgovarajuću zaštitu stopala prilikom rada	Purtați întotdeauna protecție adecvată pentru picioare atunci când	Munka közben mindig viseljen megfelelő lábvédőt	Dirbdami visada dėvėkite tinkamą pėdų apsaugą
Uklanjanje jedinice iz električnog snabdevanja pre čišćenja, prilagođavanja ili održavanja	Uklonite jedinicu iz električnog napajanja prije čišćenja, podešavanja ili održavanja	Scoateți unitatea de alimentare electrică înainte de curățare, reglare sau întreținere	Tisztítás, beállítás vagy karbantartás előtt távolítsa el az egységet az elektromos hálózatról	Prieš valydami, reguliuodami ar prižiūredami, išimkite įrenginį iš elektros tiekimo
Nikada ne usmeravaj izlaz prema ljudima, životinjama, obližnoj opremi koja može biti oštećena ili samoj jedinici	Nikada nemojte usmjeravati izlaz prema ljudima, životinjama, obližnoj opremi koja bi se mogla oštetiti ili samoj jedinici	Nu direcționați niciodată ieșirea către oameni, animale, echipamente din apropiere care ar putea fi deteriorate sau unitatea în sine	Soha ne irányítsa a kimenetet emberekre, állatokra, közeli berendezésekre, amelyek megsérülhetnek, vagy magára az egységre	Niekada nekreipkite išėjimo į žmones, gyvūnus, netoliese esančią įrangą, kuri gali būti pažeista, ar patį įrenginį

	ENGLISH	FRANÇAIS	ITALIANO	ΕΛΛΗΝΙΚΑ
	EXPLANATION OF SYMBOLS	EXPLICATION DES SYMBOLES	SPIEGAZIONE DEI SIMBOLI	ΕΠΕΞΗΓΗΣΗ ΣΥΜΒΟΛΩΝ
	According to the applicable regulations, the appliance must never be used on the drinking water network without a system separator	Conformément aux règlements en vigueur, cet appareil ne doit jamais être accordé au réseau de distribution d'eau sans disconnecteur	Conformemente alle norme in vigore, l'apparecchio non può essere collegato ad una rete dell'acqua potabile senza disconnettore	Σύμφωνα με τις ισχύουσες διατάξεις η συσκευή δεν επιτρέπεται να συνδεθεί στο δίκτυο πόσιμου νερού χωρίς διαχωριστή συστήματος (βαλβίδα αντεπιστροφής)
	Do not keep or operate in a wet environment	Ne pas conserver ou opérer dans un environnement humide	Non tenere o operare in un ambiente umido	Μην φυλάσσετε ή λειτουργείτε σε υγρό περιβάλλον
	Risk of injury, due to thrown or ricochet objects	Risque de blessure en cas de projection ou de ricochet d'objets	Rischio di lesioni, a causa di oggetti lanciati o rimbalzati	Κίνδυνος τραυματισμού, λόγω αντικειμένων που εκτοξεύονται ή εξοστρακίζονται
	Keep all bystanders at least 6m away	Tenez tous les passants à au moins 6m	Tenere tutti gli assistanti a una distanza minima di 6m	Κρατήστε όλους τους παρευρισκόμενους τουλάχιστον 6m μακριά
	Risk of electric shock	Risque de choc électrique	Rischio di scosse elettriche	Κίνδυνος ηλεκτροπληξίας
	Important, danger, warning, or caution	Important, danger, avertissement ou prudence	Importante, pericolo, avviso o attenzione	Σημαντικό, κίνδυνος, προειδοποίηση ή προσοχή
	Must be recycled or disposed of properly	Doit être recyclé ou éliminé correctement	Deve essere riciclato o smaltito correttamente	Πρέπει να ανακυκλώνεται ή να απορρίπτεται σωστά
	Conforms to relevant safety standards	Conforme aux normes de sécurité concernées	Conformi alle pertinenti norme sulla sicurezza	Συμμορφώνεται με τα σχετικά πρότυπα ασφαλείας

SRPSKI	HRVATSKI	ROMÂNĂ	MAGYAR	LIETUVIŲ K.
OBJAŠNJENJE SIMBOLA	OBJAŠNJENJE SIMBOLA	EXPLICAREA SIMBOLURILOR	SZIMBÓLUMOK JELENTÉSE	SIMBOLIŲ PAAIŠKINIMAS
Prema važećim propisima nesme uredjaj da se priključuje bez razdvajanja sistema na mrežu pijaće vode	Prema važećim propisima, uređaj se bez odvajanja sustava ne smije priključiti na vodovodnu mrežu	Conform normelor în vigoare, scula electrică nu poate fi racordată fără un separator de sistem la rețeaua de apă potabilă	Soha ne használja az ivóvízhálózaton rendszerleválasztó nélkül, mert a víz fogyasztása nem biztonságos	Niekada nenaudokite geriamojo vandens tiekimo tinkle be sistemos separatoriaus, nes vanduo nėra saugus vartoti
Ne držite ili ne radite u vlažnom okruženju	Nemojte držati ili ne raditi u mokrom okruženju	Nu păstrați și nu acționați într-un mediu umed	Ne tárolja és ne működtesse nedves környezetben	Negalima laikyti ar veikti drėgnoje aplinkoje
Rizik od povreda, zbog bačenih ili rikošet predmeta	Opasnost od ozljeda, zbog bačenih ili rikošetnih predmeta	Risc de rănire, din cauza obiectelor aruncate sau ricoșate	Sérülésveszély kidobott vagy kidobott tárgyak miatt	Rizika susižeisti dėl išmestų ar rikošeto objektų
Udaljite sve promatrače na najmanje 6m	Sve promatrače držite na udaljenosti barem 6m	Mențineți o distanță de cel puțin 6m față de alte persoane care ar putea fi prin preajmă	Tartsa a közelben tartózkodókat legalább 6m távolságra	Laikykite visus pašalinius asmenis bent 6m atstumu
Rizik od električnog šoka	Rizik od strujnog udara	Risc de electrocutare	Áramütés veszélye	Elektros smūgio rizika
Važno, opasnost, upozorenje ili oprez	Važno, opasnost, upozorenje ili oprez	Important, pericol, avertisment sau precauție	Fontos, veszély, figyelmeztetés vagy óvatosság	Svarbu, pavojus, įspėjimas ar atsargumas
Mora se reciklirati ili pravilno odložiti	Mora se reciklirati ili pravilno odložiti	Trebuie reciclate sau eliminate în mod corespunzător	Újrahasznosítani kell, és mindig a vonatkozó irányelveknek megfelelően kell ártalmatlanítani	Turi būti perdirbtas ir visada turi būti šalinamas pagal taikomas direktyvas
Usklađeno sa odgovarajućim standardima za bezbednost	Sukladno relevantnim tandardima sigurnosti	Respectă standardele de siguranță relevante	Megfelel a vonatkozó biztonsági irányelveknek és a vonatkozó szabványoknak	Atitinka taikomas saugos direktyvas ir santykinis standartus

ENGLISH

GENERAL SAFETY WARNINGS

RISK OF ELECTRIC SHOCK

Never touch the mains plug and the socket with wet hands. Check the power cord with mains Plug for damage prior to every use. Do not use the machine if a supply cord or important parts of the machine are damaged, e.g. safety devices, high pressure hoses, trigger gun. All current-conducting parts in the working area must be protected against jet water. The mains plug and the coupling of an extension cable must be watertight and must never lie in water. Moreover, the coupling may never lie on the ground. The use of cable reels that ensure that the sockets are at least 60 mm above the ground is recommended. Make sure that the power cord is not damaged by vehicles running over, pinching or dragging. Protect the power cords from heat, oil, and sharp edges. Always switch off the mains switch when leaving the appliance unattended.

WARNING: The appliance may only be connected to an electric supply that has been installed by an electrician.

The appliance may only be connected to alternating current. The voltage must correspond with the type plate of the appliance.

For safety reasons, we recommend that you operate the appliance only via a residual current device (max. 30mA). An unsuitable electrical extension cable can be hazardous.

DANGER: The appliance must not be operated in explosive atmospheres.

Risk of explosion - Do not spray flammable liquids. Never draw in fluids containing solvents or undiluted acids and solvents! This includes petrol, paint thinner and heating oil. The spray mist is highly inflammable, explosive and poisonous. Do not use acetone, undiluted acids and solvents, as they corrode the materials used on the appliance.

Never use the product with inflammable or toxic liquids, or liquids with characteristics incompatible with its proper operation.

Keep packaging films away from children, there is a risk of suffocation!

CATEGORY SAFETY WARNINGS

SAFE HANDLING

The user must hold the appliance as intended. The person must consider the local conditions and must pay attention to other persons in the vicinity when working with the appliance.

Check important components, such as high-pressure hose, hand spray gun and safety installations, for damage prior to every operation. Immediately replace damaged components. Do not operate appliance with damaged components.

WARNING: The appliance has been designed for use with the cleaning agent supplied or recommended by the manufacturer. The use of other cleaning agents or chemicals, may adversely affect the safety of the appliance. High-pressure jets can

be dangerous in order to reduce the risk of Injection or people Injury - Do Not Direct Discharge Stream directly to people.

The jet must not be directed at persons, live electrical equipment or the machine itself. Keep the motor at least 6m away from explosive vapors. High pressure, keep clear of nozzle. Do not spray electrical apparatus and wiring. Gun Kicks Back, hold with both hands. Do not direct the jet against yourself or others in order to clean clothes or footwear. Do not use the appliance in a crowd, unless they are wearing protective clothing. Wear appropriate Personnel Protection Equipment (PPE) while operating the appliance. The appliance must not be operated by children or untrained personnel. This appliance is not intended to be used by people (including children) with reduced physical, sensory or mental capabilities, or lacking experience and knowledge. Children must not play with this appliance. Supervise children to prevent them from playing with the appliance. The water jet that is emitted from the high pressure nozzle results in a repulsion power acting on the hand spray gun. Make sure that you have firm footing and are also holding the hand spray gun and spray lance firmly. Never leave the appliance unattended as long as it is in operation.

ATTENTION: In case of extended breaks, switch the appliance off at the main switch or pull the mains plug. Do not operate the appliance at temperatures below 0°C.

WARNING: According to applicable regulations, the appliance must never be used on the drinking water net without a system separator. Ensure that the connection of your building water installation on which the high pressure cleaner is operated is equipped with a system separator pursuant. Water that has flown through backflow preventers is considered to be non-potable. High-pressure hoses, fittings and couplings are important for the safety of the appliance. Only use high-pressure hoses, fittings and couplings recommended by the manufacturer. To ensure applicable safety, use only original spare parts from the manufacturer or approved by the manufacturer. Switch the product off and disconnect it from the power supply removing the power plug from the socket outlet before assembly, cleaning, adjustments, maintenance, storage and transportation or converting the product to another function.

CAUTION: Mind the weight of the appliance when selecting the storage location and during transportation to prevent accidents or injuries.

Several hours of continuous use of the appliance can lead to numbness in the hands in rare cases.

- Wear gloves.
- Keep hands warm.
- Take breaks at regular intervals. Working with detergent

WARNING: The improper use of detergents can cause severe injuries or oxidation.

Store the high pressure washer pump away from the reach of children.

Discharge residual pressure before disconnecting the hose from the product.

Check before each use, and at regular intervals, that all metal fasteners are tight and the product's components are in good condition; inspect for broken or worn parts.

PRODUCT SPECIFICATIONS

INTENDED USE

If connection is made to a potable water system, the system shall be protected against backflow.

This high pressure cleaner is designed with a rated input current. The intended use of this product covers the cleaning of vehicles, buildings, terraces, facades and garden equipment using clean water and biodegradable chemical detergents. Likewise the product can be used to clean paving slabs or rain gutters.

This product may not be used to clean clothing, shoes and other textiles. The water jet should not be directed against persons, animals, any electrical equipment or on the product itself. Do not flush any objects which contain health hazardous materials. The product must not be run with inflammable, explosive and toxic liquids.

For safety reasons it is essential to read the entire instruction manual before first operation and to observe all the instructions there in.

TECHNICAL DATA		
Article Number		47 194
Model		HPW 155i PRO
Max. Pressure	bar	155
Working Pressure	bar	125-135
Working Water Flow	l/h	540
Rated Water Flow	l/h	660
Auto Stop System		P
Motor Specification		
Motor Type		INDUCTION
Voltage	V	220-230
Frequency	Hz	50
Rated inlet	W	3.200
Max. water inlet temperature	°C	40
Protection Class		IPX5
Weight	kg	49
Sound emission values determined according to EN 60335-1, EN 60335-2-79, EN 62233		
Typically the A-weighted noise levels of the product are:		
Sound pressure level	db(A)	74
Guaranteed sound power level	db(A)	90
Uncertainty K	dB	3

TECHNICAL DATA

Article Number **47 194**

Model **HPW 155i PRO**

Vibration total values ah (triax vector sum) and uncertainty K determined according to EN 60335-1, EN 60335-2-79, EN 62233

Vibration level max:

a _h	m/s ²	2,2
K	m/s ²	0,7

IDENTIFICATION (Fig.1)

1. Handle
2. High-pressure hose
3. Power cord holder
4. High-pressure hose reel
5. Power cord
6. OFF/ON switch
7. Wheel
8. Detergent bottle
9. Water inlet
10. Water outlet
11. Pressure regulator
12. Nozzles
13. Suction hose and filter
14. Trigger gun and wand

INSTALLATION

WARNING: Make sure that you replace the black plastic oil cap on the top of the pump with the yellow dipstick cap (if not already in position), before operating the pressure washer.

1. HANDLE INSTALLATION

Fit the handle bar on the base of the high pressure washer pump, as shown in (Fig. 2, 3).

2. SPRAY WAND INSTALLATION

Fit the spray wand into the gun and rotate it until the two parts are completely locked (Fig. 5).

3. CONNECTION OF THE HIGH PRESSURE HOSE TO THE TRIGGER GUN

Connect the adaptor of the high-pressure hose to the trigger gun and twist the nut as indicated to secure the connection (Fig. 6).

4. CONNECTION OF THE GARDEN HOSE TO THE WATER INLET

Connect the garden hose adaptor (female coupler) to the water inlet of the pressure washer and then thread your garden hose (male end) into the garden hose adaptor (Fig. 7).

OPERATION

WARNING: Dry running for more than 2 minutes can lead to damage of the high-pressure pump. If the appliance does not build up pressure within 2 minutes, switch the appliance off and proceed in accordance with the instructions in Chapter "Troubleshooting"

High pressure operation

CAUTION: Keep a distance of at least 30 cm when using the jet for cleaning painted surfaces to avoid damage.

CAUTION: Make sure the ON/OFF switch is set to "OFF" and insert the plug into a properly installed socket.

ATTENTION: The washer must be used on a secure and stable surface in a standing, upright position. Connect the product to the power and water supply as described. Open the water supply. Hold the spray gun with both hands. Direct the nozzle of the chosen accessory away from you towards the surface to be cleaned. Unlock the trigger and press it until a constant amount of water flows through the nozzle, to allow air trapped in the hose to escape. Release the trigger. Turn "ON" the switch "ON/OFF".

Hold the spray gun with both hands. Direct the water jet to the object to be cleaned and press the trigger.

WARNING: Beware of kickback when pressing the trigger!

The factory pre-set pressure provides the best water pressure and cleaning effect. If the pressure must be lowered down, it can be adjusted following the below methods:

Gradually keep the surface to be cleaned further away. The further the surface is, the lower the pressure is applied.

OPERATION WITH DETERGENT

Detergent can only be added when the device is operated in low pressure mode.

DANGER: When using detergents, the material data safety sheet issued by the detergent manufacturer must be viewed, especially the instructions regarding personal protective equipment. Remove the cap of the clean detergent bottle. Gently pull the onboard detergent tank out of its storage position.

Fill the tank with detergent designed specifically for use with pressure washers.

RECOMMENDED CLEANING METHOD

- Spray the detergent sparingly on the dry surface and allow it to react, but not to dry.
- Spray off loosened dirt with the high pressure Met.

AFTER THE OPERATION WITH DETERGENT

Remove the hose clean detergent bottle from the intake and close it with the lid, then clean the detergent injection system with clean water. To achieve a complete cleaning job on the detergent

injection system, apply detergent hose on clean water to make sprays until the remaining detergent is cleaned out from the system. Factory of the high pressure cleaner is not responsible for the damage caused by detergent or any chemical agent.

OPERATION WITH BREAKS

- Release the lever of the trigger gun.
- Lock the lever of the trigger gun.
- Put the trigger gun with the spray lance into the parking position.
- During longer breaks (more than 5 minutes), also turn the appliance off using the "ON/OFF" switch.

START

- Check inlet hose for residues and clogs
- Connect water supply and pump inlet with inlet hose and make sure the hose is air tide.
- Connect high pressure hose to pump outlet.
- Turn on the water supply
- Start the electrical motor while turning ON the "ON/OFF" switch
- Pull the spray gun trigger, starting to spray
- Release the trigger and stop the water
- Adjust spray pattern by changing nozzle.

STOP

- Release the lever of the trigger gun.
- Shut off water supply.
- Turn off the appliance "ON/OFF".
- Disconnect the mains plug from the socket.
- Press the lever of the trigger gun to release any remaining pressure in the system.
- Release the lever of the trigger gun.
- Lock the lever of the trigger gun.

ATTENTION

- When disconnecting the supply or high pressure hose, warm water may leak from the connection after operation.

FROST PROTECTION

WARNING

Appliance and accessories that are not completely drained can be destroyed by frost. Completely drain appliance and accessories in order to protect them against frost.

To avoid damage:

- Detach the appliance from the water supply.
- Detach spray lance from the trigger gun.
- Turn on the appliance "ON/OFF".
- Push the lever of the trigger gun until no more water is coming out.
- Release the lever of the trigger gun.
- Lock the lever of the trigger gun.
- Turn off the appliance "ON/OFF".
- Store the appliance and the entire accessories in a frost free room.

MAINTENANCE AND CLEANING

WARNING

RISK OF ELECTRIC SHOCK

Prior to all work on the appliance, switch off the appliance and pull the power plug. Before repair or maintenance, it is required to wait until the high temperature of appliance's surface and high-pressure water turn back to normal temperature and pressure, or it may cause serious injury.

CHANGE OIL IN PUMP

Lubricant oil should be changed in the first 50 hours of operation and afterwards, every 100 hours.

- Loose oil drainage plug (Fig. 8.3).
- Tilt the opposite side of the oil drainage higher, making the oil drainage facing the oil drain pan straightly.
- Remove the oil drainage plug and drain the waste oil.
- After draining the oil completely, put the oil drainage plug back.
- Tighten the oil drainage plug and fill in new oil (SAE 5W-40), till the oil level indicator window is half covered by the new oil (Fig. 8.2).
- Put back the oil cap and tighten it (Fig. 8.1).

HIGH PRESSURE HOSE

- The high pressure hose is specially constructed with reinforced walls, which can be easily damaged and therefore, it should be stored carefully.
- Do not drive vehicles over the hose.
- Do not expose the hose to sharp edges or corners. Misuse will lead to ballooning or premature failure and will invalidate warranty.

WATER FILTER CLEANING

Clean the sieve in the water connection regularly. Remove the coupling from the water connection and rinse with warm water to prevent any foreign matter from clogging the pump. Clean the nozzle with the needle provided, to clean-out the tool. Remove the spray wand from the gun. Remove any dirt from the nozzle hole and rinse.

ATTENTION

The sieve must not be damaged. Pull the sieve out using flat pliers. Clean the sieve under running water. Reinsert the sieve into the water connection.

ENVIRONMENTAL PROTECTION

Recycle raw materials instead of disposing as waste. Machine, accessories and packaging should be sorted for environment-friendly recycling. The plastic components are labeled for categorized recycling.

WARRANTY

This product is warranted in accordance with the legal/ country specific regulations, effective from the date of purchase by the first user. Damage attributable to normal wear and tear, overload or improper handling will be excluded from the warranty. In case of a claim, please send the machine, completely assembled, to your dealer or the official service center.

FRANÇAIS

AVERTISSEMENTS GÉNÉRAUX DE SÉCURITÉ

RISQUE DE CHOC ÉLECTRIQUE

Ne touchez jamais la prise principale et la prise avec les mains mouillées. Vérifiez le cordon d'alimentation avec le bouchon principal pour les dommages avant chaque utilisation. N'utilisez pas la machine si un cordon d'alimentation ou des parties importantes de la machine sont endommagés, par exemple des dispositifs de sécurité, des tuyaux à haute pression, un pistolet à déclenchement. Toutes les pièces qui mènent actuellement dans la zone de travail doivent être protégées contre l'eau du jet. Le bouchon principal et le couplage d'un câble d'extension doivent être étanches et ne doivent jamais se trouver dans l'eau. En outre, le couplage peut ne jamais se trouver sur le sol. Il est recommandé d'utiliser des bobines de câble qui garantissent que les prises sont à au moins 60 mm au-dessus du sol. Assurez-vous que le cordon d'alimentation n'est pas endommagé par les véhicules qui s'encragent, ne pincet pas ou ne traînent pas. Protégez les cordons d'alimentation de la chaleur, de l'huile et des bords tranchants. Éteignez toujours l'interrupteur du réseau lorsque vous quittez l'appareil sans surveillance.

AVERTISSEMENT: L'appareil ne peut être raccordé qu'à un alimentation électrique installé par un électricien.

L'appareil ne peut être connecté qu'à un courant alternatif. La tension doit correspondre à la plaque type de l'appareil.

Pour des raisons de sécurité, nous vous recommandons d'utiliser l'appareil uniquement via un dispositif à courant résiduel (max. 30mA). Un câble d'extension électrique inadapté peut être dangereux.

DANGER: L'appareil ne doit pas être utilisé dans des atmosphères explosives.

Risque d'explosion - Ne pas pulvériser de liquides inflammables.

Ne dessinez jamais de liquides contenant des solvants ou des acides et solvants non dilués! Cela comprend l'essence, le diluant à peinture et le mazout de chauffage. La brume pulvérisée est très inflammable, explosive et toxique. N'utilisez pas d'acétone, d'acides non dilués et de solvants, car ils corrodent les matériaux utilisés sur l'appareil.

N'utilisez jamais le produit avec des liquides inflammables ou toxiques, ou des liquides avec des caractéristiques incompatibles avec son bon fonctionnement.

Gardez les films d'emballage loin des enfants, il y a un risque d'étouffement!

AVERTISSEMENTS DE SÉCURITÉ CATÉGORIE

MANIPULATION SÉCURITAIRE

L'utilisateur doit tenir l'appareil comme prévu. La personne doit tenir compte des conditions locales et doit prêter attention aux autres personnes à proximité lorsqu'elle travaille avec l'appareil.

Vérifiez les dommages causés aux composants importants, comme le tuyau à haute pression, le pistolet à pulvérisation à main et les installations

de sécurité. Remplacez immédiatement les composants endommagés. Ne pas utiliser d'appareil avec des composants endommagés.

AVERTISSEMENT: L'appareil a été conçu pour être utilisé avec l'agent nettoyant fourni ou recommandé par le fabricant. L'utilisation d'autres agents nettoyants ou produits chimiques peut nuire à la sécurité de l'appareil. Jets à haute pression peut être dangereux afin de réduire le risque d'injection ou de blessures des personnes - Ne pas diriger le flux de décharge directement aux personnes.

Le jet ne doit pas être dirigé vers les personnes, l'équipement électrique vivant ou la machine elle-même. Gardez le moteur à au moins 6 m des vapeurs explosives. Haute pression, gardez-vous à l'état de la buse. Ne pas pulvériser d'appareils électriques et de câblage. Gun Kicks Back, tenir avec les deux mains. Ne dirigez pas le jet contre vous-même ou les autres afin de nettoyer les vêtements ou l'usure des pieds. N'utilisez pas l'appareil dans une foule, à moins qu'ils ne portent des vêtements de protection. Portez l'équipement approprié de protection du personnel (EPI) pendant l'utilisation de l'appareil. L'appareil ne doit pas être utilisé par des enfants ou du personnel non formé. Cet appareil n'est pas destiné à être utilisé par des personnes (y compris des enfants) ayant des capacités physiques, sensorielles ou mentales réduites, ou manquant d'expérience et de connaissances. Les enfants ne doivent pas jouer avec cet appareil. Surveillez les enfants pour les empêcher de jouer avec l'appareil. Le jet d'eau émis par la buse haute pression entraîne une puissance de répulsion agissant sur le pistolet à pulvérisation à main. Assurez-vous que vous avez des pieds fermes et que vous tenez également fermement le pistolet à pulvérisation à main et la lance à pulvérisation. Ne laissez jamais l'appareil sans surveillance tant qu'il est en service.

ATTENTION: En cas de rupture prolongée, éteignez l'appareil à l'interrupteur principal ou tirez sur la prise principale. Ne pas faire fonctionner l'appareil à des températures inférieures à 0°C.

AVERTISSEMENT: Selon les règlements applicables, l'appareil ne doit jamais être utilisé sur le filet d'eau potable sans séparateur système. Assurez-vous que la connexion de votre installation d'eau de bâtiment sur laquelle le nettoyeur haute pression est actionné est équipée d'un séparateur de système conformément. L'eau qui a volé à travers les empêcheurs de flux arrière est considérée comme non potable. Les tuyaux, raccords et couplages haute pression sont importants pour la sécurité de l'appareil. N'utilisez que des tuyaux, des raccords et des couplages à haute pression recommandés par le fabricant. Pour assurer la sécurité applicable, n'utilisez que les pièces de rechange originales du fabricant ou approuvées par le fabricant. Éteignez le produit et déconnectez-le de l'alimentation en enlevant la prise de courant de la prise de courant avant l'assemblage, le nettoyage, les ajustements, l'entretien, le stockage et le transport ou en convertissant le produit en une autre fonction.

ATTENTION: Attention au poids de l'appareil lors du choix de l'emplacement d'entreposage et pendant le transport afin de prévenir les accidents ou les blessures.

Plusieurs heures d'utilisation continue de l'appareil peuvent entraîner un engourdissement dans les mains dans de rares cas.

- Portez des gants.
- Gardez les mains au chaud.
- Prenez des pauses à intervalles réguliers. Travailler avec le détergent

AVERTISSEMENT: L'utilisation inappropriée de détergents peut causer des blessures graves ou de l'oxydation.

Rangez la pompe à laveuse haute pression loin de la portée des enfants.

Déchargez la pression résiduelle avant de débrancher le tuyau du produit.

Vérifiez avant chaque utilisation, et à intervalles réguliers, que toutes les attaches métalliques sont étanches et que les composants du produit sont en bon état; inspecter les pièces cassées ou usées.

SPÉCIFICATIONS DU PRODUIT

UTILISATION PRÉVUE

Si une connexion est faite à un réseau d'eau potable, le système doit être protégé contre le flux arrière.

Ce nettoyeur haute pression est conçu avec un courant d'entrée évalué. L'utilisation prévue de ce produit couvre le nettoyage des véhicules, des bâtiments, des terrasses, des façades et de l'équipement de jardin à l'aide d'eau propre et de détergents chimiques biodégradables. De même, le produit peut être utilisé pour nettoyer les dalles de pavage ou les gouttières de pluie.

Ce produit ne peut pas être utilisé pour nettoyer les vêtements, chaussures et autres textiles. Le jet d'eau ne doit pas être dirigé contre des personnes, des animaux, tout équipement électrique ou sur le produit lui-même. Ne rincez aucun objet contenant des matières dangereuses pour la santé. Le produit ne doit pas être utilisé avec des liquides inflammables, explosifs et toxiques.

Pour des raisons de sécurité, il est essentiel de lire l'ensemble du manuel d'instructions avant la première opération et d'y observer toutes les instructions.

SPÉCIFICATIONS TECHNIQUES

N° d' article 47 194

Modèle HPW 155i PRO

Pression max bar 155

Pression de travail bar 125-135

Débit d'eau de travail l/h 540

Débit nominal l/h 660

Système d'arrêt automatique P

SPÉCIFICATIONS TECHNIQUES

N° d' article 47 194

Modèle HPW 155i PRO

Spécification du moteur

Type de moteur INDUCTION

Tension nominale V 220-230

Fréquence nominale Hz 50

Puissance nominale absorbée W 3.200

Max. température d'entrée d'eau °C 40

Classe de protection IPX5

Poids kg 49

Valeurs d'émissions sonores déterminées selon la norme EN 60335-1, EN 60335-2-79, EN 62233

Les mesures réelles (A) des niveaux sonores de l'appareil sont:

Niveau de pression acoustique db(A) 74

Niveau de puissance sonore garantie db(A) 90

Incertitude K dB 3

Valeurs totales des vibrations ah (somme vectorielle des trois axes directionnels) et incertitude K relevées conformément à la norme EN 60335-1, EN 60335-2-79, EN 62233

Niveau de vibration:

a_h m/s² 2,2

K m/s² 0,7

IDENTIFICATION (Fig. 1)

1. Manipuler
2. Tuyau haute pression
3. Support de cordon d'alimentation
4. Enrouleur de tuyau haute pression
5. Cordon d'alimentation
6. Interrupteur OFF/ON
7. La roue
8. Bouteille de détergent
9. Arrivée d'eau
10. Sortie d'eau
11. Régulateur de pression
12. Buses
13. Tuyau d'aspiration et filtre
14. Pistolet à gâchette et baguette

INSTALLATION

AVERTISSEMENT: Assurez-vous de remplacer le bouchon d'huile en plastique noir sur le dessus de la pompe par le bouchon de jauge jaune (s'il n'est pas déjà en place), avant d'utiliser le nettoyeur haute pression

1. INSTALLATION DE POIGNÉE

Adaptez la barre de poignée sur la base de la pompe à laveuse haute pression, comme le montre la (Fig. 2,3).

2. INSTALLATION DE BAGUETTE DE PULVÉRISATION

Placez la baguette dans le pistolet et faites-la pivoter jusqu'à ce que les deux parties soient verrouillées (Fig. 5).

3. RACCORDEMENT DU TUYAU HAUTE PRESSION À L'ARME DE DÉCLENCHEMENT

Connectez l'adaptateur du tuyau à haute pression au pistolet de déclenchement et tordez l'écrou comme indiqué pour fixer la connexion (Fig. 6).

4. RACCORDEMENT DU TUYAU D'ARROSAGE À L'ENTRÉE D'EAU

Connectez l'adaptateur de tuyau d'arrosage (coupler femelle) à l'entrée d'eau de la laveuse de pression, puis enfitez votre tuyau d'arrosage (extrémité mâle) dans l'adaptateur de tuyau d'arrosage (Fig. 7).

OPÉRATION

AVERTISSEMENT: Une course à sec de plus de 2 minutes peut endommager la pompe à haute pression. Si l'appareil n'accumule pas de pression dans les 2 minutes, éteignez l'appareil et procédez conformément aux instructions du chapitre « Dépannage »

Opération haute pression

ATTENTION: Gardez une distance d'au moins 30 cm lorsque vous utilisez le jet pour nettoyer les surfaces peintes afin d'éviter les dommages.

ATTENTION: Assurez-vous que l'interrupteur ON/OFF est réglé sur « OFF » et insérez la prise dans une prise correctement installée.

ATTENTION: La rondelle doit être utilisée sur une surface sûre et stable en position debout et verticale. Connectez le produit à l'alimentation électrique et à l'approvisionnement en eau tel que décrit. Ouvrez l'approvisionnement en eau. Tenez le pistolet de pulvérisation avec les deux mains. Dirigez la buse de l'accessoire choisi loin de vous vers la surface à nettoyer. Déverrouillez la gâchette et pressez-la jusqu'à ce qu'une quantité constante d'eau coule à travers la buse, pour permettre à l'air emprisonné dans le tuyau de s'échapper. Relâchez la gâchette. Allumez « ON » l'interrupteur « ON/OFF ».

Tenez le pistolet de pulvérisation avec les deux mains. Dirigez le jet d'eau vers l'objet à nettoyer et appuyez sur la gâchette.

AVERTISSEMENT: Méfiez-vous du rebond en appuyant sur la gâchette !

La pression prédéfinie de l'usine offre la meilleure pression d'eau et le meilleur effet de net-

toyage. Si la pression doit être abaissée, elle peut être ajustée selon les méthodes ci-dessous : Gardez graduellement la surface à nettoyer plus loin. Plus la surface est grande, plus la pression est appliquée.

OPÉRATION AVEC DÉTERGENT

Le détergent ne peut être ajouté que lorsque l'appareil est utilisé en mode basse pression.

DANGER: Lors de l'utilisation de détergents, la fiche de sécurité des données matérielles émise par le fabricant de détergents doit être consultée, en particulier les instructions concernant l'équipement de protection individuelle.

Retirez le bouchon de la bouteille de détergent propre. Retirez doucement le réservoir de détergent à bord de sa position de rangement.

MÉTHODE DE NETTOYAGE RECOMMANDÉE

- Vaporiser le détergent avec parcimonie sur la surface sèche et lui permettre de réagir, mais pas de sécher.
- Vaporiser la saleté desserrée avec le Met haute pression.

APRÈS L'OPÉRATION AVEC DÉTERGENT

Retirez la bouteille de détergent propre du tuyau de l'admission et fermez-la avec le couvercle, puis nettoyez le système d'injection de détergent avec de l'eau propre. Pour effectuer un travail de nettoyage complet sur le système d'injection de détergent, appliquez le tuyau de détergent sur l'eau propre pour faire des pulvérisations jusqu'à ce que le détergent restant soit nettoyé du système. L'usine du nettoyeur à haute pression n'est pas responsable des dommages causés par le détergent ou tout agent chimique.

OPÉRATION AVEC PAUSES

- Relâchez le levier du pistolet de déclenchement.
- Verrouillez le levier du pistolet de déclenchement.
- Placez le pistolet de déclenchement avec la lance de pulvérisation dans la position de stationnement.
- Pendant les pauses plus longues (plus de 5 minutes), éteignez également l'appareil à l'aide de l'interrupteur « ON/OFF ».

COMMENCER

- Vérifiez la recherche de résidus et de sabots dans le tuyau d'entrée
- Connectez l'alimentation en eau et l'entrée de la pompe avec le tuyau d'entrée et assurez-vous que le tuyau est une marée d'air.
- Connectez le tuyau haute pression à la sortie de la pompe.
- Activer l'approvisionnement en eau
- Démarrez le moteur électrique tout en ennant l'interrupteur « ON/OFF »
- A appuyer sur la gâchette du pistolet à pulvérisation, en commençant à pulvériser
- Relâchez la gâchette et arrêtez l'eau

- Ajustez le modèle de pulvérisation en changeant la buse.

ARRÊTER

- Relâchez le levier du pistolet de déclenchement.
- Couper l'approvisionnement en eau.
- Éteignez l'appareil « ON/OFF ».
- Déconnecter la prise principale de la prise.
- Appuyez sur le levier de l'arme de déclenchement pour relâcher toute pression restante dans le système.
- Relâchez le levier du pistolet de déclenchement.
- Verrouillez le levier du pistolet de déclenchement.

ATTENTION

- Lors de la déconnexion de l'alimentation ou du tuyau à haute pression, de l'eau chaude peut s'échapper de la connexion après l'opération.

ANTIGEL

AVERTISSEMENT

Les appareils électroménagers et accessoires qui ne sont pas complètement drainés peuvent être détruits par le gel.

Videz complètement l'appareil et les accessoires afin de les protéger contre le gel.

Pour éviter les dégâts :

- Détachez l'appareil de l'alimentation en eau.
- Détachez la lance de pulvérisation du pistolet de déclenchement.
- Allumez l'appareil « ON/OFF ».
- Poussez le levier du pistolet de déclenchement jusqu'à ce qu'il n'y ait plus d'eau qui sort.
- Relâchez le levier du pistolet de déclenchement.
- Verrouillez le levier du pistolet de déclenchement.
- Éteignez l'appareil « ON/OFF ».
- Rangez l'appareil et l'ensemble des accessoires dans une pièce sans gel.

ENTRETIEN ET NETTOYAGE

AVERTISSEMENT

RISQUE DE CHOC ÉLECTRIQUE

Avant tout travail sur l'appareil, éteignez l'application et tirez la prise de courant. Avant la réparation ou l'entretien, il faut attendre que la température élevée de la surface de l'appareil et de l'eau à haute pression revienne à la température et à la pression normales, ou qu'elle cause des blessures graves.

CHANGER L'HUILE DANS LA POMPE

L'huile de lubrifiant doit être changée dans les 50 premières heures de fonctionnement et ensuite, toutes les 100 heures.

- Bouchon de drainage d'huile lâche (Fig. 8.3).
- Inclinez le côté opposé du drainage de l'huile plus haut, ce qui rend le drainage de l'huile faisant face à la casserole de drain d'huile directement.

- Retirez le bouchon de drainage de l'huile et égouttez l'huile de déchets.
- Après avoir complètement drainé l'huile, remettre la fiche de drainage de l'huile.
- Serrer la fiche de drainage de l'huile et remplir de l'huile nouvelle (SAE 5W-40), jusqu'à ce que la fenêtre indicateur du niveau d'huile soit à moitié couverte par la nouvelle huile (Fig. 8.2).
- Remettre le bouchon d'huile et le serrer (Fig. 8.1).

TUYAU HAUTE PRESSION

- Le tuyau haute pression est spécialement construit avec des murs renforcés, qui peuvent être facilement endommagés et, par conséquent, il doit être stocké avec soin.
- Ne conduisez pas les véhicules au-dessus du tuyau.
- N'exposez pas le tuyau à des bords tranchants ou à des coins. L'utilisation abusive entraînera une montgolfière ou une défaillance prématurée et invalidera la garantie.

NETTOYAGE DU FILTRE À EAU

Nettoyez régulièrement le tamis dans le raccordement à l'eau. Retirez le couplage de la connexion à l'eau et rincer à l'eau chaude pour empêcher toute matière étrangère d'obstruer la pompe. Nettoyez la buse avec l'aiguille fournie, pour nettoyer l'outil. Retirez la baguette de pulvérisation du pistolet. Retirez toute saleté du trou de la buse et rincer.

ATTENTION

Le tamis ne doit pas être endommagé. Retirez le tamis à l'aide de pinces plates. Nettoyez le tamis sous l'eau courante. Réinsérer le tamis dans le raccordement de l'eau.

PROTECTION DE L'ENVIRONNEMENT

Recycler les matières premières au lieu de les éliminer comme déchets. La machine, les accessoires et l'emballage devraient être triés pour l'environnement - recyclage amical. Les composants en plastique sont étiquetés pour le recyclage catégorisé.

GARANTIE

Ce produit est justifié conformément à la réglementation légale/pays spécifique, à compter de la date d'achat par le premier utilisateur. Les dommages attribuables à l'usure normale, à la surcharge ou à une mauvaise manipulation seront exclus de la garantie. En cas de réclamation, veuillez envoyer la machine, entièrement assemblée, à votre concessionnaire ou au centre de service officiel.

ITALIANO

AVVERTENZE GENERALI DI SICUREZZA

RISCHIO DI SCOSSE ELETTRICHE

Non toccare mai la spina di rete e la presa con le mani bagnate. Controllare il cavo di alimentazione con spina di rete per eventuali danni prima di ogni utilizzo. Non utilizzare la macchina se un cavo di alimentazione o parti importanti della macchina sono danneggiati, ad esempio dispositivi di sicurezza, tubi ad alta pressione, pistola a grilletto. Tutte le parti che conducono corrente nell'area di lavoro devono essere protette contro l'acqua del getto. La spina di rete e l'accoppiamento di un cavo di estensione devono essere impermeabili e non devono mai trovarsi in acqua. Inoltre, l'accoppiamento potrebbe non trovarsi mai a terra. Si consiglia l'uso di bobine di cavi che garantiscano che le prese siano ad almeno 60 mm dal suolo. Assicurarsi che il cavo di alimentazione non sia danneggiato da veicoli che si sovrascrivano, pizzicano o trascinano. Proteggere i cavi di alimentazione da calore, olio e spigoli vivi. Spegnerne sempre l'interruttore di rete quando si lascia l'apparecchio incustodito.

ATTENZIONE: L'apparecchio può essere collegato solo a un alimentatore elettrico installato da un elettricista.

L'apparecchio può essere collegato solo a corrente alternata. La tensione deve corrispondere alla piastra tipo dell'apparecchio.

Per motivi di sicurezza, si consiglia di utilizzare l'apparecchio solo tramite un dispositivo di corrente residua (max. 30mA). Un cavo di estensione elettrico inadatto può essere pericoloso.

PERICOLO: L'apparecchio non deve essere utilizzato in atmosfere esplosive.

Rischio di esplosione - Non spruzzare liquidi infiammabili.

Non attirare mai fluidi contenenti solventi o acidi e solventi non diluiti! Ciò include benzina, diluenti per vernici e olio riscaldante. La nebbia spray è altamente infiammabile, esplosiva e velenosa. Non utilizzare acetone, acidi non diluiti e solventi, in quanto corrodono i materiali utilizzati sull'apparecchio.

Non utilizzare mai il prodotto con liquidi infiammabili o tossici o liquidi con caratteristiche incompatibili con il suo corretto funzionamento.

Tenere i film di imballaggio lontani dai bambini, c'è il rischio di soffocamento!

CATEGORIA AVVERTENZE DI SICUREZZA

MANIPOLAZIONE SICURA

L'utente deve tenere l'accessorio come previsto. La persona deve considerare le condizioni locali e deve prestare attenzione ad altre persone nelle vicinanze quando lavora con l'apparecchio.

Controllare i danni causati da componenti importanti, come tubi ad alta pressione, pistola a spruzzo a mano e installazioni di sicurezza, prima di ogni operazione. Sostituire immediatamente i componenti danneggiati. Non utilizzare l'apparecchio

con componenti danneggiati.

ATTENZIONE: L'apparecchio è stato progettato per l'uso con il detergente fornito o raccomandato dal produttore. L'uso di altri detergenti o sostanze chimiche può influire negativamente sulla sicurezza dell'apparecchio. I getti ad alta pressione possono essere pericolosi al fine di ridurre il rischio di iniezione o lesioni delle persone - Non dirigere il flusso di scarico direttamente alle persone.

Il getto non deve essere diretto a persone, apparecchiature elettriche vive o alla macchina stessa. Tenere il motore ad almeno 6 m di distanza dai vapori esplosivi. Alta pressione, tenere libero dall'ugello. Non spruzzare apparecchi elettrici e cablaggi. Gun Kicks Back, tieniti con entrambe le mani. Non dirigere il getto contro te stesso o gli altri per pulire vestiti o abbigliamento per i piedi. Non usare l'apparecchio tra la folla, a meno che non indossi indumenti protettivi. Indossare adeguate apparecchiature di protezione del personale (DPI) durante il funzionamento dell'apparecchio. L'apparecchio non deve essere azionato da bambini o da personale non addestrato. Questo apparecchio non è destinato ad essere utilizzato da persone (compresi i bambini) con capacità fisiche, sensoriali o mentali ridotte o prive di esperienza e conoscenza. I bambini non devono giocare con questo apparecchio. Supervisionare i bambini per impedire loro di giocare con l'apparecchio. Il getto d'acqua emesso dall'ugello ad alta pressione si traduce in una potenza di repulsione che agisce sulla pistola a spruzzo a mano. Assicurarsi di avere un piede solido e di tenere saldamente anche la pistola a spruzzo a mano e la lancia a spruzzo. Non lasciare mai l'apparecchio incustodito finché è in funzione.

ATTENZIONE: In caso di interruzioni prolungate, spegnere l'apparecchio all'interruttore principale o staccare la spina di rete. Non utilizzare l'apparecchio a temperature inferiori a 0°C.

AVVERTENZA: Secondo le normative applicabili, l'apparecchio non deve mai essere utilizzato sulla rete dell'acqua potabile senza un separatore di sistema. Assicurarsi che il collegamento dell'impianto idrico dell'edificio su cui è azionato il pulitore ad alta pressione sia dotato di un separatore di sistema in base a. L'acqua che ha volato attraverso i preventidi a riflusso è considerata non potabile. Tubi flessibili, raccordi e attacchi ad alta pressione sono importanti per la sicurezza dell'apparecchio. Utilizzare solo tubi flessibili, raccordi e attacchi ad alta pressione raccomandati dal produttore. Per garantire la sicurezza applicabile, utilizzare solo pezzi di ricambio originali del produttore o approvati dal produttore. Spegnerne il prodotto e scollegarlo dall'alimentatore rimuovendo la presa di corrente dalla presa di corrente prima dell'assemblaggio, della pulizia, delle regolazioni, della manutenzione, dello stoccaggio e del trasporto o convertendo il prodotto in un'altra funzione.

ATTENZIONE: Tenere presente il peso dell'apparecchio quando si seleziona il luogo di stoccaggio e durante il trasporto per prevenire incidenti o lesioni. Diverse ore di uso continuo dell'apparecchio possono portare all'intorpidimento delle mani in rari casi.

- Indossare guanti.
- Tenere le mani calde.
- Fare pause a intervalli regolari. Lavorare con il detergente

AVVERTENZA: L'uso improprio di detergenti può causare gravi lesioni o ossidazione.

Conservare la pompa della lavatrice ad alta pressione lontano dalla portata dei bambini.

Scaricare la pressione residua prima di scollegare il tubo dal prodotto.

Verificare prima di ogni utilizzo, e a intervalli regolari, che tutti gli elementi di fissaggio metallici siano stretti e che i componenti del prodotto siano in buone condizioni; ispezionare le parti rotte o usurate.

SPECIFICHE DEL PRODOTTO

DESTINAZIONE D'USO

Se viene effettuato il collegamento a un sistema di acqua potabile, il sistema deve essere protetto contro il riflusso.

Questo pulitore ad alta pressione è progettato con una corrente di ingresso nominale. L'uso previsto di questo prodotto copre la pulizia di veicoli, edifici, terrazze, facciate e attrezzature da giardino utilizzando acqua pulita e detergenti chimici biodegradabili. Allo stesso modo il prodotto può essere utilizzato per pulire lastre di pavimentazione o grondaie da pioggia.

Questo prodotto non può essere utilizzato per pulire abbigliamento, scarpe e altri tessuti. Il getto d'acqua non deve essere diretto contro persone, animali, apparecchiature elettriche o sul prodotto stesso. Non lavare oggetti che contengono materiali pericolosi per la salute. Il prodotto non deve essere eseguito con liquidi infiammabili, esplosivi e tossici.

Per motivi di sicurezza è essenziale leggere l'intero manuale di istruzioni prima della prima operazione e osservare tutte le istruzioni ivi riportate.

DATI TECNICI		
Codice prodotto	47 194	
Model	HPW 155i PRO	
Pressione max.	bar	155
Pressione lavorativa	bar	125-135
Flusso d'acqua di lavoro	l/h	540
Portata nominale	l/h	660
Sistema di arresto automatico		P
Specifiche del motore		
Tipo di motore		INDUZIONE
Tensione nominale	V	220-230
Frequenza nominale	Hz	50
Potenza nominale assorbita	W	3.200

DATI TECNICI		
Codice prodotto	47 194	
Model	HPW 155i PRO	
Temperatura dell'acqua in ingresso	°C	40
Classe di protezione		IPX5
Peso	kg	49
Valori di emissione acustica rilevati conformemente a EN 60335-1, EN 60335-2-79, EN 62233		
Il livello di rumore stimato A dell'apparecchio ammonta normalmente a:		
Livello di pressione acustica	db(A)	74
Livello di potenza acustica garantita	db(A)	90
Incertezza della misura K	dB	3
Valori complessivi di oscillazione ah (somma vettoriale delle tre direzioni) e incertezza della misura K misurati conformemente alla norma EN 60335-1, EN 60335-2-79, EN 62233		
Livello vibrazioni:		
a _h	m/s ²	2,2
K	m/s ²	0,7

IDENTIFICAZIONE (Fig. 1)

1. Maniglia
2. Tubo ad alta pressione
3. Supporto per cavo di alimentazione
4. Avvolgitubo ad alta pressione
5. Cavo di alimentazione
6. Interruttore OFF/ON
7. Ruota
8. Bottiglia di detersivo
9. Ingresso acqua
10. Uscita acqua
11. Regolatore di pressione
12. Ugelli
13. Tubo di aspirazione e filtro
14. Pistola a grilletto e bacchetta magica

INSTALLAZIONE

ATTENZIONE: Assicurarsi di sostituire il tappo dell'olio in plastica nera sulla parte superiore della pompa con il tappo giallo dell'asta di livello (se non già in posizione), prima di azionare l'idropulitrice.

1. GESTIRE L'INSTALLAZIONE

Montare il manubrio sulla base della pompa della ronnella ad alta pressione, come mostrato nella (Fig. 2,3).

2. INSTALLAZIONE BACCHETTA SPRAY

Inserire la bacchetta spray nella pistola e ruotarla fino a quando le due parti non sono completamente bloccate (Fig. 5).

3. COLLEGAMENTO DEL TUBO AD ALTA PRESSIONE ALLA PISTOLA GRILLETTO

Collegare l'adattatore del tubo ad alta pressione alla pistola del grilletto e ruotare il dado come indicato per fissare la connessione (Fig. 6).

4. COLLEGAMENTO DEL TUBO DEL GIARDINO ALL'INGRESSO DELL'ACQUA

Collegare l'adattatore per tubi da giardino (accoppiatore femmina) all'ingresso dell'acqua della lavatrice a pressione e quindi infilare il tubo del giardino (estremità maschile) nell'adattatore del tubo del giardino (Fig. 7).

OPERAZIONE

ATTENZIONE: La corsa a secco per più di 2 minuti può causare danni alla pompa ad alta pressione. Se l'apparecchio non aumenta la pressione entro 2 minuti, spegnere l'apparecchio e procedere in conformità con le istruzioni del capitolo "Risoluzione dei problemi".

Funzionamento ad alta pressione

ATTENZIONE: Mantenere una distanza di almeno 30 cm quando si utilizza il getto per la pulizia delle superfici verniciate per evitare danni.

ATTENZIONE: Assicurarsi che l'interruttore ON/OFF sia impostato su "OFF" e inserire la spina in una presa installata correttamente.

ATTENZIONE: La rondella deve essere utilizzata su una superficie sicura e stabile in posizione eretta. Collegare il prodotto all'alimentazione e all'alimentazione dell'acqua come descritto. Aprire l'approvvigionamento idrico. Tieni la pistola a spruzzo con entrambe le mani. Dirigo l'ugello dell'accessorio scelto lontano da te verso la superficie da pulire. Sbloccare il grilletto e premere fino a quando una quantità costante di acqua scorre attraverso l'ugello, per consentire all'aria intrappolata nel tubo di fuoriuscire. Rilasciare il grilletto.

Accendere "ON" l'interruttore "ON/OFF".

Tieni la pistola a spruzzo con entrambe le mani. Dirigere il getto d'acqua verso l'oggetto da pulire e premere il grilletto.

ATTENZIONE: Fai attenzione al contraccolpo quando premono il grilletto!

La pressione pre-impostata in fabbrica fornisce la migliore pressione dell'acqua e il miglior effetto di pulizia. Se la pressione deve essere abbassata, può essere regolata seguendo i seguenti metodi: Mantenere gradualmente la superficie da pulire più lontano. Più la superficie è alta, minore è la pressione applicata.

OPERAZIONE CON DETERSIVO

Il detergente può essere aggiunto solo quando il dispositivo viene utilizzato in modalità a bassa pressione.

PERICOLO: Quando si utilizzano detersivi, devono essere visualizzate le schede di sicurezza dei dati sui materiali rilasciate dal produttore del detersivo, in particolare le istruzioni relative ai dispositivi di

protezione individuale.

Rimuovere il tappo della bottiglia detergente pulita. Estrarre delicatamente il serbatoio del detersivo di bordo dalla sua posizione di stoccaggio.

Riempire il serbatoio con detergente progettato specificamente per l'uso con rondelle a pressione.

Spingere il flacone detergente con l'apertura rivolta verso il basso nella connessione per il detersivo pulito per tubi.

METODO DI PULIZIA CONSIGLIATO

- Spruzzare il detergente con parsimonioso sulla superficie asciutta e lasciare che reagisca, ma non asciugare.
- Spruzzare lo sporco allentato con l'alta pressione Met.

DOPO L'OPERAZIONE CON DETERSIVO

Rimuovere il flacone detergente pulito del tubo dall'aspirazione e chiuderlo con il coperchio, quindi pulire il sistema di iniezione del detergente con acqua pulita. Per ottenere un lavoro di pulizia completo sul sistema di iniezione del detergente, applicare il tubo detergente sull'acqua pulita per fare spray fino a quando il detergente rimanente non viene ripulito dal sistema. La fabbrica del detergente ad alta pressione non è responsabile dei danni causati dal detergente o da qualsiasi agente chimico.

OPERAZIONE CON PAUSE

- Rilasciare la leva della pistola del grilletto.
- Bloccare la leva della pistola del grilletto.
- Mettere la pistola grilletto con la lancia a spruzzo nella posizione di parcheggio.
- Durante le pause più lunghe (più di 5 minuti), spegnere anche l'apparecchio utilizzando l'interruttore "ON/OFF".

INIZIARE

- Controllare il tubo di ingresso alla ricerca di residui e zoccoli
- Collegare l'alimentazione dell'acqua e l'ingresso della pompa con il tubo di ingresso e assicurarsi che il tubo sia la marea d'aria.
- Collegare il tubo ad alta pressione all'uscita della pompa.
- Accendere l'approvvigionamento idrico
- Avviare il motore elettrico accendendo l'interruttore "ON/OFF"
- Premere il grilletto della pistola a spruzzo, iniziando a spruzzare
- Rilasciare il grilletto e fermare l'acqua
- Regolare il modello di spruzzatura

FERMARE

- Rilasciare la leva della pistola del grilletto.
- Arrestare l'approvvigionamento idrico.
- Spegnere l'apparecchio "ON/OFF".
- Scollegare la spina di rete dalla presa.
- Premere la leva della pistola del grilletto per rilasciare la pressione rimanente nel sistema.
- Rilasciare la leva della pistola del grilletto.
- Bloccare la leva della pistola del grilletto.

ATTENZIONE

- Quando si scollega l'alimentazione o il tubo ad alta pressione, l'acqua calda potrebbe fuoriuscire dalla connessione dopo il funzionamento.

PROTEZIONE DAL GELO**AVVISO**

L'apparecchio e gli accessori che non sono completamente drenati possono essere distrutti dal gelo. Drenare completamente elettrodomestici e accessori per proteggerli dal gelo.

Per evitare danni:

- Staccare l'apparecchio dall'approvvigionamento idrico.
- Staccare la lancia a spruzzo dalla pistola a grilletto.
- Accendere l'apparecchio "ON/OFF".
- Spingere la leva della pistola grilletto fino a quando non esce più acqua.
- Rilasciare la leva della pistola del grilletto.
- Bloccare la leva della pistola del grilletto.
- Spegnerne l'apparecchio "ON/OFF".
- Conservare l'apparecchio e tutti gli accessori in una stanza senza gelo.

MANUTENZIONE E PULIZIA**AVVISO****RISCHIO DI SCOSSE ELETTRICHE**

Prima di lavorare sull'apparecchio, spegnere l'applicazione e staccare la spina di alimentazione. Prima della riparazione o della manutenzione, è necessario attendere che l'alta temperatura della superficie dell'apparecchio e l'acqua ad alta pressione tornino alla temperatura e alla pressione normali o possano causare gravi lesioni.

CAMBIARE L'OLIO NELLA POMPA

L'olio lubrificante deve essere cambiato nelle prime 50 ore di funzionamento e successivamente ogni 100 ore.

- Tappo scarico olio allentato (Fig. 8.3).
- Inclinare più in alto il lato opposto dello scarico dell'olio, facendo in modo che lo scarico dell'olio sia rivolto verso la bacinella di raccolta dell'olio in modo dritto.
- Rimuovere il tappo di scarico dell'olio e scaricare l'olio esausto.
- Dopo aver scaricato completamente l'olio, rimettere il tappo di scarico dell'olio.
- Serrare il tappo di scarico dell'olio e rabboccare con olio nuovo (SAE 5W-40), fino a coprire per metà la finestrella dell'indicatore di livello dell'olio nuovo (Fig. 8.2).
- Rimontare il tappo dell'olio e serrarlo (Fig. 81).

TUBO AD ALTA PRESSIONE

- Il tubo ad alta pressione è appositamente costruito con pareti rinforzate, che possono essere facilmente danneggiate e quindi, dovrebbe essere conservato con attenzione.
- Non guidare veicoli sopra il tubo.
- Non esporre il tubo a spigoli vivi o angoli. L'uso im-

proprio porterà a palloncini o guasti prematuri e invaliderà la garanzia.

PULIZIA DEL FILTRO DELL'ACQUA

Pulire regolarmente il setaccio nel collegamento dell'acqua. Rimuovere l'accoppiamento dal collegamento dell'acqua e risciacquare con acqua tiepida per evitare che qualsiasi materia estranea intasa la pompa. Pulire l'ugello con l'ago fornito, per pulire l'utensile. Rimuovere la bacchetta spray dalla pistola. Rimuovere lo sporco dal foro dell'ugello e risciacquare.

ATTENZIONE

Il setaccio non deve essere danneggiato. Estrarre il setaccio usando pinze piatte. Pulire il setaccio sotto l'acqua corrente. Reinsere il setaccio nel collegamento dell'acqua.

PROTEZIONE DELL'AMBIENTE

Riciclare le materie prime invece di smaltire come rifiuti. La macchina, gli accessori e l'imballaggio devono essere ordinati per un riciclaggio rispettoso dell'ambiente. I componenti in plastica sono etichettati per il riciclaggio classificato.

GARANZIA

Questo prodotto è garantito in conformità con le normative legali / specifiche del paese, a partire dalla data di acquisto da parte del primo utente. I danni attribuibili alla normale usura, sovraccarico o manipolazione impropria saranno esclusi dalla garanzia. In caso di reclamo, si prega di inviare la macchina, completamente assemblata, al proprio rivenditore o al centro di assistenza ufficiale.

ΕΛΛΗΝΙΚΑ

ΓΕΝΙΚΕΣ ΠΡΟΕΙΔΟΠΟΙΗΣΕΙΣ ΑΣΦΑΛΕΙΑΣ

ΚΙΝΔΥΝΟΣ ΗΛΕΚΤΡΟΠΛΗΞΙΑΣ

Μην αγγίζετε ποτέ το φως και την πρίζα με βρεγμένα χέρια. Ελέγξτε το καλώδιο τροφοδοσίας με το φως για τυχόν ζημιές πριν από κάθε χρήση. Μη χρησιμοποιείτε το μηχάνημα εάν έχει υποστεί βλάβη ένα καλώδιο τροφοδοσίας ή σημαντικά μέρη του μηχανήματος, π.χ. διατάξεις ασφαλείας, εύκαμπτοι σωλήνες υψηλής πίεσης, πιστόλι ενεργοποίησης. Όλα τα μέρη που συνδέονται στο ρεύμα πρέπει να προστατεύονται από νερό υπό πίεση. Το φως και η ζεύξη ενός καλωδίου προέκτατος πρέπει να είναι στεγανά και να μην βρίσκονται ποτέ στο νερό. Επιπλέον, η σύζευξη δεν μπορεί ποτέ να βρίσκεται στο έδαφος. Συνιστάται η χρήση κυλινδρικών καλωδίων που εξασφαλίζουν ότι οι πρίζες βρίσκονται τουλάχιστον 60 mm πάνω από το έδαφος. Βεβαιωθείτε ότι το καλώδιο τροφοδοσίας δεν έχει υποστεί ζημιά από οχήματα που ττο πατάνε, δεν έχει τρυπηθεί ή σурθεί. Προστατέψτε το καλώδιο τροφοδοσίας από τη θερμότητα, το λάδι και τις αιχμηρές άκρες. Πάντα σβήνεται το διακόπτη ρεύματος όταν αφήνετε τη συσκευή χωρίς επίβλεψη.

ΠΡΟΕΙΔΟΠΟΙΗΣΗ: Η συσκευή μπορεί να συνδεθεί μόνο με ηλεκτρική παροχή που έχει εγκατασταθεί από ηλεκτρολόγο.

Η συσκευή μπορεί να συνδεθεί μόνο σε εναλλασσόμενο ρεύμα. Η τάση πρέπει να αντιστοιχεί στον τύπο που αναφέρεται στο ταμπλέτι της συσκευής.

Για λόγους ασφαλείας, σας συνιστούμε να χειρίζεστε τη συσκευή μόνο μέσω συσκευής υπολειπόμενου ρεύματος (έως 30mA). Ένα ακατάλληλο ηλεκτρικό καλώδιο επέκτασης μπορεί να είναι επικίνδυνο.

ΚΙΝΔΥΝΟΣ: Η συσκευή δεν πρέπει να λειτουργεί σε ατμόσφαιρα με εκρηκτικά.

Κίνδυνος έκρηξης - Μην ψεκάζετε εύφλεκτα υγρά.

Μην τραβάτε ποτέ υγρά που περιέχουν διαλύτες ή μη αραιωμένα οξέα και διαλύτες! Αυτό περιλαμβάνει βενζίνη, διαλυτικό βαφής και πετρέλαιο θέρμανσης. Η ομίχλη ψεκασμού είναι εξαιρετικά εύφλεκτη, εκρηκτική και δηλητηριώδης. Μη χρησιμοποιείτε ακετόνη, μη αραιωμένα οξέα και διαλύτες, καθώς διαβρώνουν τα υλικά που χρησιμοποιούνται στη συσκευή.

Μην χρησιμοποιείτε ποτέ το προϊόν με εύφλεκτα ή τοξικά υγρά ή υγρά με χαρακτηριστικά συμβατά με τη σωστή λειτουργία του.

Κρατήστε τις ταινίες συσκευασίας μακριά από τα παιδιά, υπάρχει κίνδυνος ασφυξίας!

ΠΡΟΕΙΔΟΠΟΙΗΣΕΙΣ ΑΣΦΑΛΕΙΑΣ ΚΑΤΗΓΟΡΙΑΣ

ΑΣΦΑΛΗΣ ΧΕΙΡΙΣΜΟΣ

Ο χρήστης πρέπει να κρατήσει τη συσκευή όπως προβλέπεται. Το άτομο πρέπει να λαμβάνει υπόψη τις τοπικές συνθήκες και πρέπει να προσέχει άλλα άτομα που βρίσκονται κοντά όταν εργάζεται

με τη συσκευή.

Ελέγξτε σημαντικά εξαρτήματα, όπως σωλήνα υψηλής πίεσης, πιστόλι ψεκασμού χειρός και εγκαταστάσεις ασφαλείας, για ζημιές πριν από κάθε λειτουργία. Αντικαταστήστε αμέσως τα κατεστραμμένα εξαρτήματα. Μη χρησιμοποιείτε τη συσκευή με κατεστραμμένα εξαρτήματα.

ΠΡΟΕΙΔΟΠΟΙΗΣΗ: Η συσκευή έχει σχεδιαστεί για χρήση με το καθαριστικό που παρέχεται ή συνιστάται από τον κατασκευαστή. Η χρήση άλλων καθαριστικών ή χημικών ουσιών μπορεί να επηρεάσει αρνητικά την ασφάλεια της συσκευής. Τα ακροφύσια υψηλής πίεσης μπορούν να είναι επικίνδυνα προκειμένου να μειωθεί ο κίνδυνος της έγχυσης ή των ανθρώπινων τραυματισμών - μην εκτονώνετε την πίεση απευθείας προς τους ανθρώπους.

Το ακροφύσιο δεν πρέπει να κατευθύνεται σε πρόσωπα, ζωντανό ηλεκτρικό εξοπλισμό ή το ίδιο το μηχάνημα. Κρατήστε τον κινητήρα τουλάχιστον 6m μακριά από εκρηκτικούς ατμούς. Υψηλή πίεση, κρατήστε μακριά από το ακροφύσιο. Μην ψεκάζετε ηλεκτρικές συσκευές και καλωδίωση. Το όπλο κλωτσάει πίσω, κρατήστε το και με τα δύο χέρια. Μην κατευθύνετε το ακροφύσιο ενάντια στον εαυτό σας ή σε άλλους για να καθαρίσετε τα ρούχα ή τα παπούτσια. Μη χρησιμοποιείτε τη συσκευή σε πλήθος, εκτός εάν φορούν προστατευτική ενδυμασία. Φοράτε τον κατάλληλο εξοπλισμό προστασίας προσωπικού (ΜΑΡ) κατά τη λειτουργία της συσκευής. Η συσκευή δεν πρέπει να λειτουργεί από παιδιά ή ανεκπαίδευτο προσωπικό. Αυτή η συσκευή δεν προορίζεται για χρήση από άτομα (σμηναίοντες, αμερόνους των παιδιών) με μειωμένες σωματικές, αισθητηριακές ή διανοητικές ικανότητες ή έλλειψη εμπειρίας και γνώσεων. Τα παιδιά δεν πρέπει να παίζουν με αυτή τη συσκευή. Εποπτεύστε τα παιδιά για να αποτρέψετε το παιχνίδι με τη συσκευή. Το νερό που εκτοξεύεται από το ακροφύσιο υψηλής πίεσης οδηγεί σε μια δύναμη απώθησης που ενεργεί από την κώνη ψεκασμού χειρών. Σιγουρευτείτε ότι έχετε τη σταθερή βάση και κρατάτε επίσης το πυροβόλο όπλο ψεκασμού με τα χέρια και τη λόγχη ψεκασμού σταθερά. Μην αφήνετε ποτέ τη συσκευή χωρίς επίβλεψη, εφόσον βρίσκεται σε λειτουργία.

ΠΡΟΣΟΧΗ: Σε περίπτωση εκταμμένων διαλειμμάτων, απενεργοποιήστε τη συσκευή στον κεντρικό διακόπτη ή τραβήξτε το φως. Μη χρησιμοποιείτε τη συσκευή σε θερμοκρασίες κάτω των 0°C.

ΠΡΟΕΙΔΟΠΟΙΗΣΗ: Σύμφωνα με τους ισχύοντες κανονισμούς, η συσκευή δεν πρέπει ποτέ να χρησιμοποιείται στο δίκτυο πόσιμου νερού χωρίς διαχωριστικό συστήματος. Βεβαιωθείτε ότι η σύνδεση της εγκατάστασης νερού του κτιρίου στην οποία λειτουργεί ο καθαριστής υψηλής πίεσης είναι εξοπλισμένη με διαχωριστικό συστήματος. Το νερό που έχει εκτοξευθεί μέσω αντεπίστροφων βαλβίδων θεωρείται μη πόσιμο. Οι εύκαμπτοι σωλήνες υψηλής πίεσης, τα εξαρτήματα και οι σύνδεσμοι είναι σημαντικά για την ασφάλεια της συσκευής. Χρησιμοποιείτε μόνο εύκαμπτους σωλήνες υψηλής πίεσης, εξαρτήματα και συνδέ-

σμούς που συνιστώνται από τον κατασκευαστή. Για να εξασφαλίσετε την ισχύουσα ασφάλεια, χρησιμοποιείτε μόνο γνήσια ανταλλακτικά από τον κατασκευαστή ή εγκεκριμένα από τον κατασκευαστή. Απενεργοποιήστε το προϊόν και αποσυνδέστε το από το τροφοδοτικό αφαιρώντας το φιλτράρισμα από την πρίζα πριν από τη συναρμολόγηση, τον καθαρισμό, τις ρυθμίσεις, τη συντήρηση, την αποθήκευση και τη μεταφορά ή τη μετατροπή του προϊόντος σε άλλη λειτουργία.

ΠΡΟΣΟΧΗ: Προσέξτε το βάρος της συσκευής κατά την επιλογή της θέσης αποθήκευσης και κατά τη μεταφορά για την αποφυγή ατυχημάτων ή τραυματισμών.

Αρκετές ώρες συνεχούς χρήσης της συσκευής μπορεί να οδηγήσουν σε μούδιασμα στα χέρια σε σπάνιες περιπτώσεις.

- Φοράτε γάντια.

- Κρατήστε τα χέρια ζεστά.

- Κάνετε διαλείμματα σε τακτά χρονικά διαστήματα όταν εργάζεστε με απορρυπαντικό.

ΠΡΟΕΙΔΟΠΟΙΗΣΗ: Η ακατάλληλη χρήση απορρυπαντικών μπορεί να προκαλέσει σοβαρούς τραυματισμούς ή εξιδίωση.

Φυλάσσετε την αντλία πλύσης υψηλής πίεσης μακριά από την προσιτότητα των παιδιών.

Απορρίψτε την εναπομένουσα πίεση πριν αποσυνδέσετε τον εύκαμπο σωλήνα από το προϊόν.

Ελέγξτε πριν από κάθε χρήση, και σε τακτά χρονικά διαστήματα, ότι όλοι οι συνδεδητές μετάλλων είναι σφικτοί και τα συστατικά του προϊόντος είναι σε καλή κατάσταση, για σπασμένα ή φθαρμένα μέρη.

ΠΡΟΔΙΑΓΡΑΦΕΣ ΠΡΟΪΟΝΤΟΣ

ΠΡΟΟΡΙΖΟΜΕΝΗ ΧΡΗΣΗ

Εάν η σύνδεση γίνεται σε σύστημα πόσιμου νερού, το σύστημα πρέπει να προστατεύεται από την αντίστροφη ροή.

Αυτός ο καθαριστής υψηλής πίεσης σχεδιάζεται με ένα εκτιμημένο ρεύμα εισαγωγής. Η προβλεπόμενη χρήση του προϊόντος αυτού καλύπτει τον καθαρισμό οχημάτων, κτιρίων, ταράτσες, προσόψεων και εξοπλισμού κήπου με χρήση καθαρού νερού και βιοσποικοδομήσιμων χημικών απορρυπαντικών. Επιπλέον το προϊόν μπορεί να χρησιμοποιηθεί για να καθαρίσει τις πλάκες πλακοστρώσεων ή τις υδρορροές βροχής.

Αυτό το προϊόν δεν μπορεί να χρησιμοποιηθεί για τον καθαρισμό των ενδυμάτων, των παπουτσιών και άλλων υφασμάτων. Η κάνη νερού δεν πρέπει να κατευθύνεται κατά προσώπων, ζώων, ηλεκτρικού εξοπλισμού ή στο ίδιο το προϊόν. Μην ξεπλένετε αντικείμενα που περιέχουν επικίνδυνα υλικά για την υγεία. Το προϊόν δεν πρέπει να λειτουργεί με εύφλεκτα, εκρηκτικά και τοξικά υγρά. Για λόγους ασφαλείας είναι απαραίτητο να διαβάσετε ολόκληρο το εγχειρίδιο οδηγιών πριν από την πρώτη λειτουργία και να τηρείτε όλες τις οδηγίες εκεί μέσα.

ΤΕΧΝΙΚΑ ΧΑΡΑΚΤΗΡΙΣΤΙΚΑ

Κωδικός Είδους 47 194

Μοντέλο HPW 155i PRO

Μέγιστη Πίεση	bar	155
Πίεση λειτουργίας	bar	125-135
Ροή λειτουργίας	l/h	540
Ονομαστική Ροή	l/h	660
Σύστημα Αυτόματης Διακοπής		P

Προδιαγραφές κινητήρα

Τύπος κινητήρα		ΕΠΑΓΩΓΙΚΟΣ
Ονομαστική τάση	V	220-230
Συχνότητα	Hz	50
Ονομαστική ισχύς	W	3.200
Μέγ. θερμοκρασία εισόδου νερού	°C	40
Βαθμός προστασίας		IPX5
Βάρος	kg	49

Τιμές εκπομπής θορύβου, υπολογισμένες κατά EN 60335-1, EN 60335-2-79, EN 62233

Η χαρακτηριστική στάθμη θορύβου του μηχανήματος εξακριβώθηκε σύμφωνα με την καμπύλη A και ανέρχεται σε:

Στάθμη ακουστικής πίεσης	db(A)	74
Εγγυημένη στάθμη ακουστικής ισχύος	db(A)	90
Ανασφάλεια K	dB	3

Οι συνολικές τιμές κραδασμών ah (άθροισμα ανυψώσεων τριών κατευθύνσεων) και ανασφάλεια K εξακριβώθηκαν σύμφωνα με το πρότυπο EN 60335-1, EN 60335-2-79, EN 62233

Επίπεδο δόνησης:

a _h	m/s ²	2,2
K	m/s ²	0,7

ΤΑΥΤΟΠΟΙΗΣΗ ΜΕΡΩΝ (Εικ. 1)

1. Χειρολαβή
2. Σωλήνας υψηλής πίεσης
3. Γάντζος καλωδίου τροφοδοσίας
4. Ανέμη σωλήνα υψηλής πίεσης
5. Καλώδιο τροφοδοσίας
6. Διακόπτης OFF/ON
7. Τροχός
8. Δοχείο απορρυπαντικού
9. Εισαγωγή νερού
10. Έξοδος νερού

11. Ρυθμιστής πίεσης
12. Ακροφύσια
13. Σωλήνας και φίλτρο αναρρόφησης
14. Πιστόλι και κάνη

ΕΓΚΑΤΑΣΤΑΣΗ

ΠΡΟΕΙΔΟΠΟΙΗΣΗ: Σιγουρευτείτε πως θα αντικαταστήσετε την μαύρη πλαστική τάπα λαδιού στο άνω μέρος της αντλίας με την κίτρινη τάπα με δείκτη στάθμης λαδιού (αν δεν είναι ήδη στη θέση της), πριν λειτουργήσετε το πλυστικό μηχάνημα.

1. ΕΓΚΑΤΑΣΤΑΣΗ ΧΕΙΡΟΛΑΒΗΣ

Τοποθετήστε τη χειρολαβή στη βάση του πλυστικού, όπως φαίνεται στην (Εικ. 2,3).

2. ΕΓΚΑΤΑΣΤΑΣΗ ΡΑΒΔΙΟΥ ΨΕΚΑΣΜΟΥ

Τοποθετήστε τη κάνη ψεκασμού στο όπλο και περιστρέψτε το μέχρι να κλειδωθούν πλήρως τα δύο μέρη (Εικ. 5).

3. ΣΥΝΔΕΣΗ ΤΟΥ ΕΥΚΑΜΠΤΟΥ ΣΩΛΗΝΑ ΥΨΗΛΗΣ ΠΙΕΣΗΣ ΣΤΟ ΠΙΣΤΟΛΙ

Συνδέστε τον ταχυσύνδεσμο του εύκαμπτου σωλήνα υψηλής πίεσης στο πιστόλι ενεργοποίησης και περιστρέψτε το ραξιμάδι όπως υποδεικνύεται για να ασφαλίσετε τη σύνδεση (Εικ. 6).

4. ΣΥΝΔΕΣΗ ΤΤΟ ΣΩΛΗΝΑ ΠΟΤΙΣΜΑΤΟΣ ΜΕ ΤΗΝ ΕΙΣΟΔΟ ΝΕΡΟΥ

Συνδέστε τον ταχυσύνδεσμο του σωλήνα ποτίσματος (θηλυκός συζευκτήρας) στην είσοδο νερού του πλυστικού και, στη συνέχεια, συνδέστε το ρακόρ (αρσενικό άκρο) στον προσαρμογέα του σωλήνα ποτίσματος (Εικ. 7).

ΛΕΙΤΟΥΡΓΙΑ

ΠΡΟΕΙΔΟΠΟΙΗΣΗ: Η λειτουργία για περισσότερο από 2 λεπτά μπορεί να προκαλέσει ζημιά στην αντλία υψηλής πίεσης. Εάν η συσκευή δεν δημιουργήσει πίεση εντός 2 λεπτών, απενεργοποιήστε τη συσκευή και προχωρήστε σύμφωνα με τις οδηγίες του Κεφαλαίου ΑΝΤΙΜΕΤΩΠΙΣΗ ΠΡΟΒΛΗΜΑΤΩΝ

Λειτουργία υψηλής πίεσης

ΠΡΟΣΟΧΗ: Κρατήστε απόσταση τουλάχιστον 30 cm όταν χρησιμοποιείτε την κάνη για τον καθαρισμό βαμμένων επιφανειών για να αποφύγετε ζημιές.

ΠΡΟΣΟΧΗ: Βεβαιωθείτε ότι ο διακόπτης ON/OFF βρίσκεται στη θέση "OFF" και τοποθετήστε το φιλτράκι σε μια σωστά εγκατεστημένη πρίζα.

ΠΡΟΣΟΧΗ: Το πλυντήριο πρέπει να χρησιμοποιείται σε ασφαλή και σταθερή επιφάνεια σε όρθια θέση. Συνδέστε το προϊόν με την παροχή ηλεκτρικού ρεύματος και νερού όπως περιγράφεται. Ανοίξτε την παροχή νερού. Κρατήστε το πιστόλι ψεκασμού και με τα δύο χέρια. Κατευθύνετε το ακροφύσιο του επιλεγμένου εξαρτήματος μα-

κριά από εσάς προς την επιφάνεια που πρόκειται να καθαριστεί. Ξεκλειδώστε τη σκανδάλη και πιέστε την μέχρι να ρέει μια σταθερή ποσότητα νερού μέσω του ακροφυσίου, για να μπορέσει ο αέρας που παγιδεύεται στο σωλήνα να διαφύγει. Ελευθέρωσε τη σκανδάλη.

Ενεργοποιήστε το διακόπτη "ON/OFF".

Κρατήστε το πιστόλι ψεκασμού και με τα δύο χέρια. Κατευθύνετε την κάνη εκτόξευσης νερού στο αντικείμενο που πρόκειται να καθαριστεί και πιέστε τη σκανδάλη.

ΠΡΟΕΙΔΟΠΟΙΗΣΗ: Προσέξτε το "κλώτσημα" όταν πιέζετε τη σκανδάλη!

Η εργοστασιακή ρύθμιση της πίεσης παρέχει την καλύτερη επίδραση πίεσης και καθαρισμού νερού. Εάν η πίεση πρέπει να μειωθεί προς τα κάτω, μπορεί να ρυθμιστεί ακολουθώντας τις παρακάτω μεθόδους:

Σταδιακά κρατήστε την επιφάνεια που καθαρίζεται πιο μακριά. Όσο πιο μακριά είναι η επιφάνεια, τόσο χαμηλότερη είναι η πίεση που ασκείται.

ΛΕΙΤΟΥΡΓΙΑ ΜΕ ΑΠΟΡΡΥΠΑΝΤΙΚΟ

Το απορρυπαντικό μπορεί να προστεθεί, μόνο όταν η συσκευή λειτουργεί σε κατάσταση χαμηλής πίεσης.

ΚΙΝΔΥΝΟΣ: Όταν χρησιμοποιείτε απορρυπαντικά, πρέπει να βλέπετε το δελτίο ασφαλείας των υλικών που εκδίδεται από τον κατασκευαστή απορρυπαντικών, ιδίως τις οδηγίες σχετικά με τον εξοπλισμό ατομικής προστασίας.

Αφαιρέστε το καπάκι της καθαρής φιάλης απορρυπαντικού. Τραβήξτε απαλά το δοχείο απορρυπαντικού από τη θέση αποθήκευσής του.

Γεμίστε το δοχείο με απορρυπαντικό ειδικά σχεδιασμένο για χρήση σε πλυστικά.

ΣΥΝΙΣΤΩΜΕΝΗ ΜΕΘΟΔΟΣ ΚΑΘΑΡΙΣΜΟΥ

- Φεκάστε το απορρυπαντικό με φειδώ στην ξηρά επιφάνεια και αφήστε το να αντιδράσει, αλλά όχι να στεγνώσει.
- Φεκάστε τη χαλαρωμένη βρωμιά με υψηλή πίεση.

ΜΕΤΑ ΤΗ ΛΕΙΤΟΥΡΓΙΑ ΜΕ ΑΠΟΡΡΥΠΑΝΤΙΚΟ

Αφαιρέστε τη φιάλη καθαρισμού του εύκαμπτου σωλήνα από την εισαγωγή και κλείστε την με το καπάκι και, στη συνέχεια, καθαρίστε το σύστημα έγχυσης απορρυπαντικού με καθαρό νερό. Για να επιτύχετε μια πλήρη εργασία καθαρισμού στο σύστημα έγχυσης απορρυπαντικού, εφαρμόστε τη μάνικα απορρυπαντικών στο καθαρό νερό για να κάτετε τους ψεκασμούς έως ότου καθαρίζεται το υπόλοιπο απορρυπαντικό από το σύστημα. Το εργοστάσιο του πλυστικού υψηλής πίεσης δεν εμβύθεται για τη ζημιά που προκαλείται από απορρυπαντικό ή οποιονδήποτε χημικό παράγοντα.

ΛΕΙΤΟΥΡΓΙΑ ΜΕ ΔΙΑΛΕΙΜΜΑΤΑ

- Απελευθερώστε τη σκανδάλη του πλυστικού.
- Κλειδώστε την σκανδάλη του πιστολιού.

- Τοποθετήστε το πιστόλι ενεργοποίησης με την κώνη ψεκασμού στη θέση στάθμευσης.
- Κατά τη διάρκεια μεγαλύτερων διαλειμμάτων (άνω των 5 λεπτών), απενεργοποιήστε επίσης τη συσκευή χρησιμοποιώντας το διακόπτη "ON/OFF".

ΕΚΚΙΝΗΣΗ

- Ελέγξτε τον εύκαμπο σωλήνα εισόδου για υπολείμματα και φραγμούς
- Συνδέστε την παροχή νερού και την είσοδο της αντλίας με σωλήνα εισόδου και βεβαιωθείτε ότι ο σωλήνας δεν έχει διαρροή αέρα.
- Συνδέστε το σωλήνα υψηλής πίεσης στην έξοδο της αντλίας.
- Ενεργοποιήστε την παροχή νερού
- Ξεκινήστε τον ηλεκτρικό κινητήρα ενώ ενεργοποιείτε το διακόπτη "ON/OFF"
- Τραβήξτε τη σκανδάλη, αρχίζοντας τον ψεκασμό
- Απελευθερώστε τη σκανδάλη και σταματήστε το νερό
- Ρυθμίστε τον ψεκασμό αλλάζοντας το ακροφύσιο.

ΣΤΑΜΑΤΑ

- Απελευθερώστε την σκανδάλη του πιστολιού.
- Κλείστε την παροχή νερού.
- Απενεργοποιήστε τη συσκευή "ON/OFF".
- Αποσυνδέστε το φως από την πρίζα.
- Πιέστε το την σκανδάλη του πιστολιού για να απελευθερώσετε τυχόν εναπομένουσα πίεση στο σύστημα.
- Απελευθερώστε το μοχλό του όπλου σκανδάλης.
- Κλειδώστε την σκανδάλη του πιστολιού.

ΠΡΟΣΟΧΗ

- Όταν αποσυνδέουμε την παροχή από τον σωλήνα υψηλής πίεσης, μπορεί να τρέξει ζεστό νερό μετά τη λειτουργία

ΠΡΟΣΤΑΣΙΑ ΑΠΟ ΠΑΓΕΤΟ

ΠΡΟΕΙΔΟΠΟΙΗΣΗ

Η συσκευή και τα εξαρτήματα που δεν είναι πλήρως στραγγισμένα ενδέχεται να καταστραφούν από τον παγετό.

Αδειάστε εντελώς τη συσκευή και τα εξαρτήματα για να τα προστατεύσετε από τον παγετό.

Για να αποφύγετε ζημιές:

- Αποσυνδέστε τη συσκευή από την παροχή νερού.
- Αφαιρέστε τη λόγχη ψεκασμού από το πιστόλι ενεργοποίησης.
- Ενεργοποιήστε τη συσκευή "ON/OFF".
- Πιέστε το μοχλό του πυροβόλου όπλου σκανδάλης μέχρι να μην βγει άλλο νερό.
- Απελευθερώστε το μοχλό του όπλου σκανδάλης.
- Κλειδώστε το μοχλό του όπλου σκανδάλης.
- Απενεργοποιήστε τη συσκευή "ON/OFF".
- Φυλάσσετε τη συσκευή και όλα τα αξεσουάρ σε χώρο χωρίς παγετό.

ΣΥΝΤΗΡΗΣΗ ΚΑΙ ΚΑΘΑΡΙΣΜΟΣ

ΠΡΟΕΙΔΟΠΟΙΗΣΗ

ΚΙΝΔΥΝΟΣ ΗΛΕΚΤΡΟΠΛΗΞΙΑΣ

Πριν από κάθε εργασία στη συσκευή, απενεργοποιήστε την και τραβήξτε το φως του ρεύματος. Πριν από την επισκευή ή τη συντήρηση, απαιτείται να περιμένετε μέχρι η υψηλή θερμοκρασία της επιφάνειας της συσκευής και το νερό υψηλής πίεσης, να επιστρέψουν στην κανονική θερμοκρασία και πίεση, διαφορετικά μπορεί να προκληθεί σοβαρός τραυματισμός.

ΑΛΛΑΓΗ ΛΑΔΙΟΥ ΣΤΗΝ ΑΝΤΛΙΑ

Το λιπαντικό λάδι πρέπει να αντικαθίσταται τις πρώτες 50 ώρες λειτουργίας και στη συνέχεια, κάθε 100 ώρες.

- Ξεσφίξτε την τάπα αποστράγγισης λαδιού (Fig. 8.3).
- Σηκώστε την απέναντι πλευρά της αποστράγγισης λαδιού υψηλότερα, καθιστώντας την αποστράγγιση του λαδιού ευκολότερη στο δοχείο αποστράγγισης.
- Αφαιρέστε το βύσμα αποστράγγισης λαδιού και στραγγίξτε τα χρησιμοποιημένα λάδια.
- Αφού στραγγίξετε εντελώς το λάδι, τοποθετήστε ξανά το βύσμα αποστράγγισης λαδιού.
- Σφίξτε την τάπα αποστράγγισης λαδιού και γεμίστε το νέο λάδι (SAE 5W-40), μέχρι το παράθυρο ένδειξης στάθμης λαδιού να καλύπτεται κατά το ήμισυ από το νέο λάδι (Fig. 8.2).
- Βάλτε πίσω την τάπα του λαδιού και σφίξτε την (Fig. 8.1).

ΣΩΛΗΝΑΣ ΥΨΗΛΗΣ ΠΙΕΣΗΣ

- Ο σωλήνας υψηλής πίεσης είναι ειδικά κατασκευασμένος με ενισχυμένα τοιχώματα, τα οποία μπορούν εύκολα να καταστραφούν και επομένως θα πρέπει να αποθηκευτούν προσεκτικά.
- Μην πατάτε με οχήματα πάνω από το σωλήνα.
- Μην εκθέτετε τον εύκαμπο σωλήνα σε αιχμηρές άκρες ή γωνίες. Η κακή χρήση θα οδηγήσει σε φούσκωμα ή πρόωρη αστοχία και να ακυρωθείς την εγγύηση.

ΚΑΘΑΡΙΣΜΟΣ ΦΙΛΤΡΩΝ ΝΕΡΟΥ

Καθαρίζετε τακτικά το φίλτρο στη σύνδεση νερού. Αφαιρέστε τον ταχυσύνδεσμο νερού και ξεπλύνετε με ζεστό νερό για να αποτρέψετε οποιαδήποτε ξένη ύλη από το φράξιμο της αντλίας. Καθαρίστε το ακροφύσιο με τη βελόνα που παρέχεται, για να καθαρίσετε το εργαλείο. Αφαιρέστε το ραβδί ψεκασμού από το όπλο. Αφαιρέστε τυχόν ακαθαρσίες από την οπή του ακροφυσίου και ξεπλύνετε.

ΠΡΟΣΟΧΗ

Το φίλτρο δεν πρέπει να υποστεί ζημιά. Τραβήξτε το φίλτρο προς τα έξω χρησιμοποιώντας επίεδη πέννα. Καθαρίστε το φίλτρο κάτω από τρεχούμενο νερό. Τοποθετήστε ξανά το φίλτρο στη σύνδεση νερού.

ΠΡΟΣΤΑΣΙΑ ΤΟΥ ΠΕΡΙΒΑΛΛΟΝΤΟΣ

Ανακυκλώστε τις πρώτες ύλες αντί να τις απορρίψετε ως απόβλητα. Η μηχανή, τα εξαρτήματα και η συσκευασία πρέπει να ταξινομηθούν για το περιβάλλον - φιλική ανακύκλωση. Τα πλαστικά συστατικά επισημαίνονται για κατηγοριοποιημένη ανακύκλωση.

ΕΓΓΥΗΣΗ

Αυτό το προϊόν είναι δικαιολογημένο σύμφωνα με τους νομικούς/ ειδικούς κανονισμούς της χώρας, οι οποίοι ισχύουν από την ημερομηνία αγοράς από τον πρώτο χρήστη. Οι ζημιές που οφείλονται σε φυσιολογική φθορά, υπερφόρτωση ή ακατάλληλο χειρισμό θα εξαιρεθούν από την εγγύηση. Σε περίπτωση αξίωσης, παρακαλούμε στείλτε το μηχάνημα, πλήρως συναρμολογημένο, στον αντιπρόσωπο ή στο επίσημο κέντρο εξυπηρέτησης.

SRPSKI**ΟΠՏΑ BEZBEDNOSNA UPOZORENJA****RIZIK OD ELEKTRIČNOG ŠOKA**

Nikada ne dirajte glavne utičnice i utičnicu vlažnim rukama. Proverite kabl za napajanje pomoću glavnog priključaka za oštećenja pre svake upotrebe. Nemojte koristiti mašinu ako je kabl za snabdevanje ili važni delovi mašine oštećeni, npr. sigurnosni uređaji, creva visokog pritiska, pištolj za okidač. Svi delovi koji se trenutno sprovode u radnom delu moraju biti zaštićeni od mlazne vode. Glavni utikač i prevrat produžnog kabla moraju biti neotesani i nikada ne smeju da leže u vodi. Štaviše, spoj možda nikada neće leći na zemlju. Preporučuje se upotreba kablovskih rolni koje obezbeđuju da utičnice budu najmanje 60 mm iznad zemlje. Uverite se da kabl za napajanje nije oštećen vozilima koja preleću, štipaju ili vuku. Zaštitite kablove za napajanje od toplote, ulja i oštarih ivica. Uvek isključite glavni prekidač kada ostavljate aparat bez nadzora.

UPOZORENJE: Aparat je možda povezan samo sa električnim snabdevanjem tona koji je postavio električar.

Aparat je možda povezan samo sa naizmeničnom strujom. Napon mora da odgovara tipu ploče aparata.

Iz bezbednosnih razloga preporučujemo da aparat upravljate samo preko zaostavljenog trenutnog uređaja (max. 30mA). Neodgovaraći kabl za električno proširenje može biti opasan.

OPASNOST: Aparat ne sme da radi u eksplozivnoj atmosferi.

Rizik od eksplozije - Ne prskajte zapaljive tečnosti. Nikada ne crtajte u tečnostima koje sadrže rastvarače ili nezaslađene kiseline i rastvarače! To uključuje benzin, razređivač farbe i lož ulje. Izmaglica u spreju je veoma upala, eksplozivna i otrovna. Nemojte koristiti aceton, neiskradene kiseline i rastvarače, jer korodiraju materijale koji se koriste na aparatu.

Nikada ne koristite proizvod sa upalom ili otrovnom tečnošću, ili tečnost sa karakteristikama koje nisu u skladu sa njegovim pravilnim radom.

Držite filmove za pakovanje dalje od dece, postoji rizik od gušenja!

KATEGORIJA BEZBEDNOSNA UPOZORENJA**BEZBEDNO RUKOVANJE**

Korisnik mora da drži aparat kako je predviđeno. Osoba mora da razmotri lokalne uslove i mora da obrati pažnju na druga lica u okolini kada radi sa aparatom.

Proverite važne komponente, kao što su crevo visoke pritiska, pištolj za prskanje ruku i sigurnosne instalacije, radi oštećenja pre svake operacije. Odmah zamenite oštećene komponente. Nemojte upravljati aparatom sa oštećenim komponentama.

UPOZORENJE: Aparat je dizajniran za upotrebu sa sredstvom za čišćenje koje je isporučio ili pre-

poručio proizvođač. Upotreba drugih agenasa za čišćenje ili hemikalija može nepovoljno uticati na bezbednost aparata. Mlaznjaci visokog pritiska mogu biti opasni kako bi se smanjio rizik od ubrizgavanja ili povreda ljudi - Ne usmeravajte praznjenje toka direktno na ljude.

Mlaznjak ne sme biti usmeren na osobe, živu električnu opremu ili samu mašinu. Drži motor najmanje 6m dalje od eksplozivnih isparenja. Visok pritisak, kloni se reznica. Ne prskajte električni aparat i žice. Pištolj udara nazad, drži obema rukama. Ne usmeravajte mlaznjak protiv sebe ili drugih kako biste očistili odeću ili nošenje stopala. Nemojte koristiti aparat u gužvi, osim ako ne nose zaštitnu odeću. Nosite odgovarajuću opremu za zaštitu osoblja (PPE) dok upravljate aparatom. Aparatom ne smeju da upravljaju deca ili neobučeno osoblje. Ovaj aparat nije namenjen da ga koriste ljudi (uključujući decu) sa smanjenim fizičkim, čulnim ili mentalnim mogućnostima, ili bez iskustva i znanja. Deca ne smeju da se igraju sa ovim aparatom. Nadgledajte decu kako biste ih sprečili da se igraju sa aparatom. Vodeni mlaznjak koji se emituje iz reznica visokog pritiska rezultira odbojnom snagom koja deluje na pištolj za prskanje ruku. Pobrinite se da imate čvrsto uporište i takođe držite pištolj za prskanje ruku i čvrsto prskajte kopljem. Nikada ne ostavljajte aparat bez nadzora sve dok je u funkciji.

PAŽNJA: U slučaju prekidanih pauza, isključite aparat kod glavnog prekidača ili povucite utikač za glavne uređaje. Ne upravljajte aparatom na temperaturama ispod 0°C.

UPOZORENJE: Prema važećim propisima, aparat nikada ne sme da se koristi na mreži za pijaču vodu bez znaka za razdvajanje sistema. Uverite se da je veza instalacije vaše građevinske vode na kojoj radi čistač visokog pritiska opremljena sistemskim separatorom u skladu sa tim. Voda koja je proletera kroz backflow preventive smatra se nepogrešivom. Creva visokog pritiska, fitting i prevratnici su važni za bezbednost aparata. Koristite samo creva visokog pritiska, fittinge i prevratove koje preporučuje proizvođač. Da biste osigurali primenljivu bezbednost, koristite samo originalne rezervne delove proizvođača ili koje je proizvođač odobrio. Isključite proizvod i isključite ga iz napajanja uklanjajući utikač za napajanje iz utičnice pre montaze, čišćenja, podešavanja, održavanja, skladištenja i transporta ili konvertovanja proizvoda u drugu funkciju.

OPREZ: Merite težinu aparata prilikom izbora lokacije za skladištenje i tokom transporta kako biste sprečili nezgode ili povrede.

Nekoliko sati neprekidnog korišćenja aparata može dovesti do utrnulosti u rukama u retkim slučajevima.

- Nosite rukavice.
- Neka ruke budu tople.
- Praviťe pauze u pravilnim razmacima. Rad sa deterdžentom

UPOZORENJE: Nepravilna upotreba deterdženta može izazvati teške povrede ili oksidaciju.

Uskladištite pumpu za pranje visokog pritiska

daleko od domašaja dece.

Izvršite pritisak zaostaci pre nego što isključite crevo iz proizvoda.

Proverite pre svake upotrebe, i u pravilnim intervalima, da li su svi metalni pričvršćivači zategnuti i da li su komponente proizvoda u dobrom stanju; inspekcija za polomljene ili iznošene delove.

SPECIFIKACIJE PROIZVODA

NAMENJENA UPOTREBA

Ako je veza sa vodovodnim sistemom, sistem će biti zaštićen od nazadovanja.

Ovaj čistač visokog pritiska dizajniran je sa ocenjenom ulaznom strujom. Predviđenom upotrebom ovog proizvoda obuhvaćeno je čišćenje vozila, zgrada, terasa, fasada i baštenske opreme pomoću čiste vode i biorazgradivih hemijskih deterdžeta. Isto tako, proizvod se može koristiti za čišćenje ploča za asfaltiranje ili oluka za kišu.

Ovaj proizvod se ne sme koristiti za čišćenje odeće, obuće i drugog tekstila. Vodeni mlaznjak ne bi trebalo da bude usmeren protiv osoba, životinja, bilo kakve električne opreme ili na sam proizvod. Nemojte puštati u wc šolju objekte koji sadrže opasne materije po zdravlje. Proizvod ne sme da se vodi sa upalom, eksplozivnom i otrovnom tečnošću.

Iz bezbednosnih razloga je od suštinskog značaja da pročitate celo uputstvo za upotrebu pre prve operacije i da posmatrate sva uputstva koja se tamo nalazi.

TEHNIČKI PODACI

Br. art.		47 194
Model	HPW 155i PRO	
Maks. Pritisak	bar	155
Radni pritisak	bar	125-135
Radni tok vode	l/h	540
Nominalni tok	l/h	660
Sistem za automatsko zaustavljanje		P
Specifikacija motora		
Tip motora	INDUKCIONI	
Ocenjen napon	V	220-230
Ocenjena frekvencija	Hz	50
Nominalna primljena snaga	W	3.200
Max. temperatura dovoda vode	°C	40
Klasa zaštite		IPX5
Težina	kg	49

TEHNIČKI PODACI		
Br. art.	47 194	
Model	HPW 155i PRO	
Vrednosti emisije šumova se određuju u skladu sa EN 60335-1, EN 60335-2-79, EN 62233		
A-vrednovan nivo šumova uređaja iznosi tipično:		
Nivo zvučnog pritiska	db(A)	74
Garantovani nivo zvučne snage	db(A)	90
Nesigurnost K	dB	3
Ukupne vrednosti vibracija ah (zbir vektora tri pravca) i nesigurnost K su dobijeni prema EN 60335-1, EN 60335-2-79, EN 62233		
Nivo vibracija:		
a _h	m/s ²	2,2
K	m/s ²	0,7

IDENTIFIKACIJU (Sl. 1)

1. Regulator
2. Crevo visokog pritiska
3. Držač kabla za napajanje
4. Rolna creva visokog pritiska
5. Kabl za napajanje
6. PREKIDAČ OFF/ON
7. Тоиак
8. Boca deterdženta
9. Voda je pustila
10. Utičnica za vodu
11. Regulator pritiska
12. Reznice
13. Usisno crevo i filter
14. Pištolj za trigere i štapić

INSTALACIJU

UPOZORENJE: Obavezno zamenite crni plastični poklopac za ulje na vrhu pumpe žutim poklopcem merne šipke (ako već nije na svom mestu), pre nego što pokrenete mašinu za pranje pod pritiskom.

1. INSTALACIJA REGULATORA

Uklonite dršku na podlogu pumpe za pranje visokog pritiska, kao što je prikazano u (Sl. 2,3).

2. INSTALACIJA ŠTAPIĆA ZA SPREJ

Uklonite štapić za prskanje u pištolj i rotirajte ga dok se dva dela ne zaključaju (Sl. 5).

3. VEZA CREVA VISOKOG PRITISKA DO PIŠTOLJA ZA OKIDAČ

Povežite adaptor creva visokog pritiska sa pištoljem za okidač i izvrnite orah kao što je naznačeno da osigurate vezu (Sl. 6).

4. POVEZIVANJE BAŠTENSKOG CREVA SA DOVODOM VODE

Povežite adaptor baštenskog creva (ženski par) sa dovodom vode perača pritiska, a zatim koncem vaše baštensko crevo (muški kraj) u adaptor baštenskog creva (Sl. 7).

OPERACIJA

UPOZORENJE: Suvo trčanje duže od 2 minuta može dovesti do oštećenja pumpe pod visokim pritiskom. Ako aparat ne nagomila pritisak u roku od 2 minuta, isključite aparat i nastavite u skladu sa uputstvima u poglavlju "Rešavanje problema" Operacija visokog pritiska

OPREZ: Držite rastojanje od najmanje 30 cm kada koristite mlaznjak za čišćenje ofarbanih površina kako biste izbegli oštećenja.

OPREZ: Uverite se da je prekidač ON/OFF podešen na "OFF" i umetnite priključak u ispravno instaliranu utičnicu.

PAŽNJA: Rač mora da se koristi na bezbednoj i stabilnoj površini u stojećem, uspravnim položajem. Povežite proizvod sa napajanjem i vodosnabdevanjem kao što je opisano. Otvori vodovod. Drži pištolj za prskanje obema rukama. Usmerite reznicu odabranog pribora dalje od vas prema površini koju treba očistiti. Otključajte okidač i pritisnite ga dok stalna količina vode ne protiče kroz reznicu, kako biste omogućili vazduhu zarobljenom u crevu da pobege. Oslobođite obarač.

Uključite "ON" prekidač "ON/OFF".

Drži pištolj za prskanje obema rukama. Usmerite vodeni mlaznjak na objekat da se očisti i pritisnite obarač.

UPOZORENJE: Čuvajte se kiksa kada pritisnete obarač!

Fabrički unapred postavljeni pritisak obezbeđuje najbolji vodeni pritisak i efekat čišćenja. Ako pritisak mora da se smanji, može se podesiti sledećim metodama:

Postepeno držite površinu da se čisti dalje. Što je površina dalje, pritisak se smanjuje.

OPERACIJA SA DETERDŽENTOM

Deterdžent se može dodati samo kada se uređaj radi u režimu niskog pritiska.

OPASNOST: Prilikom korišćenja deterdženta mora se pogledati list za bezbednost podataka materijala koji izdaje proizvođač deterdženta, posebno uputstva vezana za ličnu zaštitnu opremu.

Uklonite zatvarač čiste bočice deterdženta. Nežno izvucite rezervoar za deterdžent iz skladišta. Napunite rezervoar deterdžentom dizajniranim specijalno za upotrebu sa peračima za pritisak.

PREPORUČENI NAČIN ČIŠĆENJA

- Naprskajte deterdžent umereno na suhu površinu i dozvolite mu da reaguje, ali ne i da se osuši.
- Poprskajte olabavljenu prljavštinu visokim pritiskom Met.

POSLE OPERACIJE SA DETERDŽENTOM

Uklonite bočicu sa crevom čistog deterdženta iz unosa i zatvorite je poklopcem, a zatim očistite sistem za ubrizgavanje deterdženta čistom vodom. Da biste postigli kompletan posao čišćenja na sistemu za ubrizgavanje deterdženta, nanesite crevo deterdženta na čistu vodu kako biste napravili sprejevi dok se preostali deterdžent ne očisti iz sistema. Fabrika čistača visokog pritiska nije odgovorna za štetu nastalu deterdžentom ili bilo kojim hemijskim agensom.

OPERACIJA SA PREKIDIMA

- Oslobodite polugu pištolja za okidač.
- Zaključajte polugu pištolja za okidač.
- Stavite pištolj za okidač sa kopljem za prskanje u poziciju za parkiranje.
- Tokom dužih pauza (više od 5 minuta), takođe isključite aparat pomoću prekidača "ON/OFF".

START

- Proverite da li u crevu ima zađužih i klompi
- Povežite vodosnabdevanje i dovod pumpe sa crevom za dovod i uverite se da je crevo plima vazduha.
- Povežite crevo visokog pritiska sa utičnicom za pumpu.
- Uključite vodovod
- Pokrenite elektromotor prilikom uključivanja prekidača "ON/OFF"
- Povucite okidač za prskanje, počinjete da prskate
- Oslobodite obarač i zaustavite vodu
- Podesite šaru spreja promenom reznica.

PRESTANI

- Oslobodite polugu pištolja za okidač.
- Isključite vodosnabdevanje.
- Isključite aparat "ON/OFF".
- Prekinite vezu glavnog utikača sa utičnicom.
- Pritisnite polugu pištolja okidača da biste oslobodili preostali pritisak u sistemu.
- Oslobodite polugu pištolja za okidač.
- Zaključajte polugu pištolja za okidač.

PAŽNJU

- Prilikom prekidanja snabdevanja ili creva visokog pritiska, topla voda može da iscuri iz veze nakon operacije.

ZAŠTITA OD MRAZA

UPOZORENJE

Aparat i pribor koji nisu potpuno isušeni mogu se uništiti mrazom.

Potpuno odvodni aparat i pribor u cilju njihove zaštite od mraza.

Da biste izbegli oštećenja:

- Odvojite aparat od vodovoda.
- Odvoji koplje iz pištolja za okidač.
- Uključite aparat "ON/OFF".
- Gurajte polugu pištolja okidača dok više ne izlazi voda.
- Oslobodite polugu pištolja za okidač.
- Zaključajte polugu pištolja za okidač.
- Isključite aparat "ON/OFF".
- Uskladišite aparat i celokupan pribor u slobodnu sobu sa mrazom.

ODRŽAVANJE I ČIŠĆENJE

UPOZORENJE

RIZIK OD ELEKTRIČNOG ŠOKA

Pre svih radova na aparatu, isključite primenu i povucite utikač za napajanje. Pre popravke ili održavanja, potrebno je sačekati da se visoka temperatura površine aparata i voda pod pritiskom vrati na normalnu temperaturu i pritisak, ili može izazvati ozbiljne povrede.

PROMENI ULJE U PUMPI

Ulje lubrikanta treba menjati u prvih 50 sati rada i naknadno, na svakih 100 sati.

- Labav utikač za odvod ulja (Sl. 8.3).
- Nagните suprotnu stranu odvoda ulja više, čineći drenažu ulja okrenutu ka tiganju za odvod ulja pravo.
- Uklonite utikač za odvod ulja i isušite otpadno ulje.
- Nakon potpunog isušivanja ulja, vratite utikač za odvod ulja.
- Zategnite utikač za odvod ulja i popunite novo ulje (SAE 5W-40), dok prozor indikatora nivoa ulja ne bude do pola pokriven novim uljem (Sl. 8.2).
- Vratite naftnu kapu i zategnite je (Sl. 8.1).

CREVO VISOKOG PRITISKA

- Crevo visokog pritiska je posebno konstruisano sa ojačanim zidovima, koji se mogu lako oštetiti i zato ga treba pažljivo uskladištiti.
- Ne vozite vozila preko creva.
- Ne izlažite crevo oštrim ivicama ili uglovi-ma. Zloupotreba će dovesti do balončića ili preuranjenog otkazivanja i poništice garancije.

ČIŠĆENJE FILTERA ZA VODU

Redovno čistite sito u vezi sa vodom. Uklonite prevrat sa vodene veze i isperite mlakom vodom kako biste sprečili da bilo koja strana materija zapuši pumpu. Očistite reznicu sa obezbeđenom iglom, da biste očistili alat. Uklonite štapić za prskanje iz pištolja. Uklonite svaku prljavštinu iz rupe od reznice i isperite.

PAŽNJU

Sito ne sme biti oštećeno. Izvuci sito koristeći ravna klešta. Očistite sito pod tekućom vodom. Pono-vo ubacite sito u vodenu vezu.

ZAŠTITA ŽIVOTNE SREDINE

Reciklirajte sirovine umesto da odlazete kao otpad. Mašina, pribor i ambalaža treba da se sortiraju za životnu sredinu - prijateljsku reciklažu. Plastične komponente su označene za kategorizovanu reciklažu.

GARANCIJE

Ovaj proizvod je garantovan u skladu sa zakonskim/državnim propisima, koji stupaju na snagu od dana kupovine od strane prvog korisnika. Šteta koja se može pripisati normalnom habanomu i cedanju, preopterećenju ili nepravilnom rukovanju biće isključena iz garancije. U slučaju zahteva, pošaljite mašinu, potpuno okupljenu, vašem dileru ili zvaničnom servisnom centru.

HRVATSKI**OPĆA SIGURNOSNA UPOZORENJA****RIZIK OD STRUJNOG UDARA**

Nikada ne dirajte strujni čep i utičnicu mokrim rukama. Proverite kabel napajanja s strujom Priključite na oštećenja prije svake uporabe. Ne koristite stroj ako su oštećeni kabel za opskrbu ili važni dijelovi stroja, npr. Svi dijelovi koji se trenutno provode u području obrade moraju biti zaštićeni od mlazne vode. Strujni utikač i spajanje produžnog kabela moraju biti vodonepropusni i nikada ne smiju ležati u vodi. Štoviše, spojka možda nikada neće ležati na tlu. Preporučuje se korištenje kabelskih rola koje osiguravaju da su utičnice najmanje 60 mm iznad tla. Pobrinite se da kabel za napajanje ne bude oštećen vozilima koja se prevlače, štipaju ili vuku. Zaštitite kabele od topline, ulja i oštirih rubova. Prilikom ostavljanja uređaja bez nadzora uvijek isključite prekidač za struju.

UPOZORENJE: Uređaj može biti povezan samo s napajanjem toana koje je ugradio električar.

Uređaj može biti povezan samo s izmjeničnom strujom. Napon mora odgovarati vrsti ploče uređaja.

Iz sigurnosnih razloga preporučujemo da uređajem upravljate samo putem uređaja s preostalom strujom (max. Neprikladan električni produžni kabel može biti opasan.

OPASNOST: Uređajem se ne smije upravljati u eksplozivnim atmosferama.

Rizik od eksplozije - Nemojte prskati zapaljive tekućine.

Nikada ne crtajte tekućine koje sadrže otapala ili nerazrijeđene kiseline i otapala! To uključuje benzin, razrjeđivač boje i lož ulje. Magla u spreju je vrlo zapaljiva, eksplozivna i otrovna. Ne koristite aceton, nerazrijeđene kiseline i otapala jer nagrizaju materijale koji se koriste na aparatu.

Nikada ne koristite proizvod s zapaljivim ili otrovnim tekućinama ili tekućinama s karakteristikama koje nisu kompatibilne s njegovim pravilnim radom.

Držite ambalažne filmove podalje od djece, postoj opasnost od gušenja!

SIGURNOSNA UPOZORENJA KATEGORIJE**SIGURNO RUKOVANJE**

Korisnik mora držati uređaj kako je predviđeno. Osoba mora uzeti u obzir lokalne uvjete i mora obratiti pozornost na druge osobe u blizini prilikom rada s aparatom.

Proverite važne komponente, kao što su visokotlakno crijevo, pištolj za raspršivanje ruku i sigurnosne instalacije, za oštećenja prije svake operacije. Odmah zamijenite oštećene komponente. Nemojte upravljati uređajem s oštećenim komponentama.

UPOZORENJE: Uređaj je dizajniran za uporabu s sredstvom za čišćenje koje isporučuje ili pre-

poručuje proizvođač. Upotreba drugih sredstava za čišćenje ili kemikalija može negativno utjecati na sigurnost uređaja. Visokotlačni mlaznjaci mogu biti opasni kako bi se smanjio rizik od injekcije ili ozljeda ljudi - Ne izravni tok ispuštanja izravno topeople.

Mlaz ne smije biti usmjeren na osobe, živu električnu opremu ili sam stroj. Držite motor najmanje 6 metara dalje od eksplozivnih para. Visoki tlak, drži se držite ogoljenog od mlaznice. Nemojte prskati električni aparat i ožičenje. Pištolj udaraca nbrtag, držite s obje ruke. Ne usmjeravajte mlaz protiv sebe ili drugih kako biste očistili odjeću ili nosili stopala. Ne koristite uređaj u gužvi, osim ako ne nose zaštitnu odjeću. Nosite odgovarajuću opremu za zaštitu osoblja (OZO) dok upravljate uređajem. Uređajem ne smiju upravljati djeca ili neobučeno osoblje. Ovaj uređaj ne namjeravaju koristiti osobe (uključujući djecu) sa smanjenim fizičkim, osjetljivim ili mentalnim sposobnostima ili bez iskustva i znanja. Djeca se ne smiju igrati ovim aparatom. Nadzirati djecu kako bi ih spriječili da se igraju s aparatom. Vodeni mlaz koji se emitira iz visokotlačnih mlaznica rezultira odbojnom snagom koja djeluje na pištolj za raspršivanje ruku. Pobrinite se da imate čvrsto uporište i također čvrsto držite pištolj za prskanje ruku i čvrsto prskajte koplje. Nikada ne ostavljajte aparat bez nadzora sve dok je u funkciji.

PAŽNJA: U slučaju produženih pauza, isključite uređaj na glavnom prekidaču ili povucite strujni utikač. Nemojte upravljati uređajem na temperaturama ispod 0°C.

UPOZORENJE: Prema važećim propisima, uređaj se nikada ne smije koristiti na mreži pitke vode bez separatora sustava. Osigurajte da je priključak vaše instalacije građevinske vode na kojoj radi visokotlačni čistač opremljen separatorom sustava u skladu s tim. Voda koja je letjela kroz onečišćivače protoka smatra se ne-pitkom. Visokotlačni crijeva, armatura i spojnice važni su za sigurnost uređaja. Koristite samo visokotlačnih crijeva, armatura i spojnice koje preporučuje proizvođač. Kako biste osigurali primjenjivu sigurnost, upotrijebite samo originalne rezervne dijelove proizvođača ili ih je proizvođač odobrio. Isključite proizvod i isključite ga iz napajanja uklanjajući utikač iz utičnice prije montaže, čišćenja, podešavanja, održavanja, skladištenja i transporta ili pretvaranja proizvoda u drugu funkciju.

OPREZ: Pri odabiru lokacije pohrane i tijekom prijevoza pazite na težinu uređaja kako biste spriječili nesreće ili ozljede.

Višesatno kontinuirano korištenje uređaja može dovesti do utrnulosti u rukama u rijetkim slučajevima.

- Nosite rukavice.
- Držite ruke toplim.
- Uzmite pauze u redovitim intervalima. Rad s deterdžentom

UPOZORENJE: Nepravilna uporaba deterdženata može uzrokovati teške ozljede ili oksidaciju. Pohranite visokotlačni podložak pumpu daleko od dohvata djece.

Discharge residual pressure before disconnecting

the hose from the product.

Provjerite prije svake uporabe i u redovitim intervalima da su svi metalni pričvršćivači čvrsti i da su komponente proizvoda u dobrom stanju; pregledati slomljene ili istrošene dijelove.

SPECIFIKACIJE PROIZVODA

NAMJENA

Ako se priključak na sustav pitke vode, sustav se štiti od zatišja.

Ovaj visokotlačni čistač dizajniran je s ocijenjenom ulaznom strujom. Namjena ovog proizvoda obuhvaća čišćenje vozila, zgrada, terasa, pročelja i vrtno opreme pomoću čiste vode i biorazgradivih kemijskih deterdženata. Isto tako, proizvod se može koristiti za čišćenje ploča za popločavanje ili kišnih oluka.

Ovaj proizvod se ne smije koristiti za čišćenje odjeće, obuće i drugih tekstila. Vodeni mlaz ne smije biti usmjeren protiv osoba, životinja, bilo kakve električne opreme ili na sam proizvod. Nemojte ispuhati predmete koji sadrže opasne materijale za zdravlje. Proizvod se ne smije raditi s zapaljivim, eksplozivnim i otrovnim tekućinama.

Iz sigurnosnih razloga bitno je pročitati cijeli priručnik s uputama prije prvog rada i pridržavati se svih uputa u njemu.

TEHNIČKA OBILJEŽJA		
Br. art.	47 194	
Model	HPW 155i PRO	
Maksimalni tlak	bar	155
Radni pritisak	bar	125-135
Protok radne vode	l/h	540
Nazivni protok	l/h	660
Sustav za automatsko zaus-tavljanje		P
Specifikacija motora		
Tip motora	INDUKCIJA	
Nazivni napon	V	220-230
Ocijenjena frekvencija	Hz	50
Nazivna sna	W	3.200
Maks. temperatura ulaza vode	°C	40
Stupanj zaštite		IPX5
Težina	kg	49

TEHNIČKA OBILJEŽJA		
Br. art.	47 194	
Model	HPW 155i PRO	
Vrijednosti emisije šumova određeni su u skladu sa EN 60335-1, EN 60335-2-79, EN 62233		
Karakteristična razina buke uređaja određena je prema A-vrednovanoj ljestvici i iznosi:		
Razina zvučnog tlaka	db(A)	74
Zajamčena razina zvučne snage	db(A)	90
Uncertainty K	dB	3
Ukupne vrijednosti vibracija a _h (zbroy vektora tri pravca) i nesigurnost K su određeni prema EN 60335-1, EN 60335-2-79, EN 62233		
Razina vibracija:		
a _h	m/s ²	2,2
K	m/s ²	0,7

IDENTIFIKACIJA (Sl. 1)

1. Ručka
2. Visokotlačno crijevo
3. Držač kabela za napajanje
4. Visokotlačni kolot crijeva
5. Kabel za napajanje
6. Prekidač OFF / ON
7. Kotač
8. Boca za deterdžent
9. Voda u pusti
10. Izlaz za vodu
11. Regulator pritiska
12. Mlaznice
13. Uisno crijevo i filter
14. Okidač i štapić

INSTALACIJE

UPOZORENJE: Obavezno zamijenite crni plastični poklopac za ulje na vrhu pumpe žutim poklopcem šipke za mjerenje (ako već nije na svom položaju), prije nego što pokrenete visokotlačnu peraću.

1. INSTALACIJA RUČKE

Stane ručku na bazu visokotlačnih podložaka, kao što je prikazano na (Sl. 2,3).

2. INSTALACIJA ŠTAPIĆA ZA PRSKANJE

Uklonite štapić spreja u pištolj i rotirajte ga dok se dva dijela ne zaključaju (Sl. 5).

3. PRIKLJUČAK VISOKOTLAČNIH CRIJEVA NA OKIDAČ PIŠTOLJ

Spojite adapter visokotlačnog crijeva na pištolj

okidača i zavrnite maticu kako je naznačeno kako biste osigurali vezu (Sl. 6).

4. PRIKLJUČAK VRTNOG CRIJEVA NA ULOŠAK ZA VODU

Spojite adapter za crijevo za vrt (ženski spoj) na vodeni uložak tlačnog podložaka, a zatim navucite svoje vrtno crijevo (muški kraj) u adapter za crijevo za vrt (Sl. 7).

OPERACIJA

UPOZORENJE: Suho trčanje više od 2 minute može dovesti do oštećenja visokotlačnih pumpi. Ako uređaj ne stvara tlak u roku od 2 minute, isključite uređaj i nastavite u skladu s uputama iz poglavlja "Rješavanje problema"

Operacija visokog tlaka

OPREZ: Držite razmak od najmanje 30 cm prilikom korištenja mlaza za čišćenje oslikanih površina kako biste izbjegli oštećenja.

OPREZ: Provjerite je li prekidač uključen/isključen postavljen na "ISKLUČENO" i umetnite utikač u ispravno ugrađenu utičnicu.

PAŽNJA: Perilica se mora koristiti na sigurnoj i stabilnoj površini u stojećem, uspravnom položaju. Spojite proizvod na napajanje i vodoopskrbu kako je opisano. Otvori vodoopskrbu. Držite pištolj za prskanje s obje ruke. Usmjerite mlaznicu odabranog dodatka dalje od vas prema površini koju treba očistiti. Otključajte okidač i pritisnite ga dok stalna količina vode ne teče kroz mlaznicu, kako bi zrak zarobljen u crijevu mogao pobjeći. Otpusti okidač. Uključite "UKLJUČI" prekidač "UKLJUČEN/ISKLUČEN".

Držite pištolj za prskanje s obje ruke. Usmjerite mlaz vode na objekt koji treba očistiti i pritisnite okidač.

UPOZORENJE: Pri pritisku okidača čuvajte se povratnog udara!

Tvornički unaprijed postavljeni tlak pruža najbolji tlak vode i učinak čišćenja. Ako se tlak mora smanjiti, može se podesiti slijedeći niže metode:

Postupno držite površinu da se čisti dalje. Što je površina dalje, pritisak se smanjuje.

RAD S DETERDŽENTOM

Deterdžent se može dodati samo kada se uređajem upravlja u načinu rada niskog tlaka.

OPASNOST: Pri korištenju deterdženata potrebno je pregledati sigurnosni list materijalnih podataka koji je izdao proizvođač deterdženta, posebno upute vezane uz osobnu zaštitnu opremu.

Uklonite čep boce čistog deterdženta. Nježno povucite spremnik deterdženta na brodu iz položaja za pohranu.

Napunite spremnik deterdžentom dizajniranim posebno za uporabu podloščima pod tlakom.

PREPORUČENA METODA ČIŠĆENJA

- Deterdžent štedljivo poprskajte po suhoj površini i pustite da reagira, ali ne i da se osuši.
- Raspršite olabavljenu prljavštinu s visokim tlakom Met.

NAKON OPERACIJE S DETERDŽENTOM

Uklonite bočicu čistog deterdženta crijeva iz unosa i zatvorite je poklopcem, a zatim očistite sustav ubrizgavanja deterdženta čistom vodom. Da biste postigli potpuni posao čišćenja na sustavu ubrizgavanja deterdženta, nanosite crijevo za deterdžent na čistu vodu kako biste napravili sprej dok se preostali deterdžent ne očisti iz sustava. Tvorniča visokotlačnih sniživača nije odgovorna za štetu uzrokovanu deterdžentom ili bilo kojim kemijskim sredstvom.

RAD S PAUZAMA

- Otpustite polugu okidača.
- Zaključajte polugu okidača.
- Stavite okidač pištolj s sprej lance u parkirnom položaju.
- Tijekom duljih pauza (više od 5 minuta) također isključite uređaj pomoću prekidača "ON/OFF".

POČETAK

- Provjerite crijevo za uloške za ostatke i klompe
- Spojite ulošci za opskrbu vodom i pumpu crijevom za ulet i provjerite je li crijevo zračna plima.
- Spojite visokotlačno crijevo za ispušnu pumpu.
- Uključite vodoopskrbu
- Pokretanje elektromotora tijekom uključivanja prekidača "ON/OFF"
- Povucite okidač pištolja za prskanje, počevši prskati
- Otpustite okidač i zaustavite vodu
- Prilagodite uzorak spreja promjenom mlaznice.

PRESTATI

- Otpustite polugu okidača.
- Isključite opskrbu vodom.
- Isključite uređaj "ON/OFF".
- Isključite strujni utikač iz utičnice.
- Pritisnite polugu pištolja okidača kako biste oslobodili preostali pritisak u sustavu.
- Otpustite polugu okidača.
- Zaključajte polugu okidača.

POZORNOST

- Prilikom prekida opskrbe ili visokotlačnih crijeva topla voda može iscuriti iz priključka nakon operacije.

ZAŠTITA OD MRAZA

UPOZORENJE

Aparat i pribor koji nisu potpuno isušeni mogu biti uništeni mrazom.

Potpuno ocijedite aparate i pribor kako biste ih zaštitili od mraza.

Da biste izbjegli štetu:

- Odvojite uređaj od vodoopskrbe.
- Odvojite koplje spreja iz pištolja okidača.
- Uključite uređaj "ON/OFF".
- Gurni polugu okidača dok više ne izlazi voda.
- Otpustite polugu okidača.

- Zaključajte polugu okidača.
- Isključite uređaj "ON/OFF".
- Aparat i cijelu dodatnu opremu čuvajte u sobi bez mraza.

ODRŽAVANJE I ČIŠĆENJE

UPOZORENJE

RIZIK OD STRUJNOG UDARA

Prije svih radova na uređaju isključite aplikaciju i povucite utikač za napajanje. Prije popravka ili održavanja potrebno je pričekati da se visoka temperatura površine uređaja i voda pod tlakom vrate na normalnu temperaturu i tlak, ili može uzrokovati ozbiljne ozljede.

PROMJENA ULJA U PUMPI

Ulje maziva treba mijenjati u prvih 50 sati rada i nakon toga, svakih 100 sati.

- Labavi čep za drenažu ulja (Sl. 8.3).
- Nagnite suprotnu stranu drenaže ulja više, čineći drenažu ulja ravno okrenutu prema tavi za odvod ulja.
- Uklonite čep za drenažu ulja i ocijedite otpadno ulje.
- Nakon potpunog pražnjenja ulja, vratite čep za drenažu ulja.
- Zategni čep za drenažu ulja i napunite novo ulje (SAE 5W-40), sve dok prozor indikatora razine ulja ne bude napola pokriven novim uljemc (Sl. 8.2).
- Vratite kapicu ulja i zategni je (Sl. 8.1).

VISOKOTLAČNI CRIJEVO

- Visokotlačno crijevo posebno je konstruirano ojačanim zidovima, koji se lako mogu oštetiti i stoga ga treba pažljivo pohraniti.
- Ne vozite vozila preko crijeva.
- Ne izlajajte crijevo oštrim rubovima ili kutovima. Zloupotropa će dovesti do balona ili preranog neuspjeha i poništiti će jamstvo.

ČIŠĆENJE FILTERA ZA VODU

Redovito čistite sito u priključak za vodu. Izvadite spojnice iz priključka za vodu i isperite toplom vodom kako biste spriječili začepljenje pumpe bilo kojom stranom tvari. Očistite mlaznicu s iglom koja se pruža, kako biste očistili alat. Izvadite štapić za prskanje iz pištolja. Uklonite prljavštinu iz rupe za mlaznicu i isperite.

POZORNOST

Sito ne smije biti oštećeno. Izvucite sito pomoću ravnih kliješta. Očistite sito pod tekućom vodom. Ponovno umetnite sito u priključak za vodu.

ZAȘTITA OKOLIŠA

Reciklirajte sirovine umjesto odlaganja kao otpad. Stroj, pribor i ambalaža trebaju biti razvrstani za okoliš - prijateljsko recikliranje. Plastične komponente označene su za kategorizirano recikliranje.

JAMSTVO

Ovaj proizvod je opravdan u skladu s pravnim / zemlja specifičnim propisima, koji stupaju na snagu od datuma kupnje od strane prvog korisnika. Šteta koja se može pripisati normalnom trošenju, preopterećenju ili nepravilnom rukovanju bit će isključena iz jamstva. U slučaju potraživanja, pošaljite stroj, potpuno sastavljen, vašem trgovcu ili službenom servisnom centru.

ROMÂNĂ

AVERTISMENTE GENERALE DE SIGURANȚĂ

RISC DE ELECTROCUTARE

Nu atingeți niciodată priza de alimentare și priza cu mâinile ude. Verificați dacă cablul de alimentare cu priză este deteriorat înainte de fiecare utilizare. Nu utilizați aparatul dacă un cablu de alimentare sau părți importante ale aparatului sunt deteriorate, de exemplu dispozitive de siguranță, furtunuri de înaltă presiune, pistol de declanșare. Toate piesele conductoare de curent din zona de lucru trebuie protejate împotriva jetului de apă. Priza de alimentare și cuplarea unui cablu de extensie trebuie să fie etanșe la apă și să nu se afle niciodată în apă. În plus, cuplajul nu poate sta niciodată pe pământ. Se recomandă utilizarea roletelor de cablu care asigură că prizele se află la cel puțin 60 mm deasupra solului. Asigurați-vă că cablul de alimentare nu este deteriorat de vehiculele care trec, ciupec sau trag. Protejați cablurile de alimentare de căldură, ulei și muchii ascuțite. Opriți întotdeauna comutatorul de alimentare atunci când lăsați aparatul nesupravegheat.

AVERTISMENT: Aparatul poate fi conectat numai la o sursă electrică care a fost instalată de un electrician.

Aparatul poate fi conectat numai la curent alternativ. Tensiunea trebuie să corespundă plăcii de tip a aparatului.

Din motive de siguranță, vă recomandăm să utilizați aparatul numai cu un dispozitiv cu curent rezidual (max. 30mA). Un cablu de extensie electrică nepotrivit poate fi periculos.

PERICOL: Aparatul nu trebuie să fie utilizat în atmosfere explozive.

Risc de explozie - Nu pulverizați lichide inflamabile.

Nu extrageți niciodată în lichide care conțin solvenți sau acizi și solvenți nediluți! Aceasta include benzină, diluant vopsea și ulei de încălzire. Ceața de pulverizare este foarte inflamabilă, explozivă și otrăvitoare. Nu folosiți acetonă, acizi nediluți și solvenți, deoarece aceștia corodează materialele utilizate pe aparat.

Nu utilizați niciodată produsul cu lichide inflamabile sau toxice sau lichide cu caracteristici incompatibile cu buna funcționare a acestuia.

Țineți ambalajele departe de copii, există riscul sufocării!

AVERTISMENTE PRIVIND SIGURANȚA CATEGORIILOR

MANIPULARE SIGURĂ

Utilizatorul trebuie să țină aparatul conform destinației. Persoana trebuie să ia în considerare condițiile locale și trebuie să acorde atenție altor persoane din apropiere atunci când lucrează cu aparatul.

Verificați componentele importante, ar fi furtunul de înaltă presiune, pistolul de pulverizare manuală și instalațiile de siguranță, pentru a fi deterio-

rate înainte de fiecare operație. Înlocuiți imediat componentele deteriorate. Nu folosiți aparatul cu componente deteriorate.

AVERTISMENT: Aparatul a fost proiectat pentru a fi utilizat împreună cu agentul de curățare furnizat sau recomandat de producător. Utilizarea altor agenți de curățare sau substanțe chimice poate afecta negativ siguranța aparatului. Jeturi de înaltă presiune pot fi periculoase, în scopul de a reduce riscul de injecție sau de persoane prejudiciu - Nu direct de descărcare de gestiune Stream direct la persoane.

Jetul nu trebuie să fie îndreptat către persoane, echipamente electrice vii sau mașina în sine. Țineți motorul la cel puțin 6 m distanță de vapori explozivi. Presiune ridicată, nu vă lăsați de parte de duză. Nu pulverizați aparate electrice și cabluri. Gun Kicks Back, ține-te cu ambele mâini. Nu îndreptați avionul împotriva dumneavoastră sau a altora pentru a curăța hainele sau pentru a purta picioare. Nu folosiți aparatul în mulțime, cu excepția cazului în care poartă îmbrăcăminte de protecție. Purtați echipament adecvat de protecție a personalului (EIP) în timpul funcționării aparatului. Aparatul nu trebuie să fie utilizat de copii sau de personal neinstruit. Acest aparat nu este destinat utilizării de către persoane (inclusiv copii) cu capacități fizice, senzoriale sau mentale reduse sau lipsite de experiență și cunoștințe. Copiii nu trebuie să se joace cu acest aparat. Supravegheați copiii pentru a-i împiedica să se joace cu aparatul. Jet de apă care este emis de duza de înaltă presiune duce la o putere de repulsie care acționează pe arma de pulverizare mână. Asigurați-vă că aveți picior ferm și sunt, de asemenea, exploatare arma de pulverizare de mână și spray lance ferm. Nu lăsați niciodată aparatul nesupravegheat atâta timp cât este în funcțiune.

ATENȚIE: În caz de întreruperi prelungite, opriți aparatul la comutatorul principal sau trageți de ștecherul de alimentare. Nu folosiți aparatul la temperaturi sub 0°C.

AVERTISMENT: Conform reglementărilor aplicabile, aparatul nu trebuie utilizat niciodată pe rețeaua de apă potabilă fără un separator de sistem. Asigurați-vă că racordarea instalației de apă a clădirii pe care funcționează aspiratorul de înaltă presiune este echipată cu un separator de sistem în conformitate cu. Apa care a zburat prin prevenitoarele de backflow este considerată a fi ne potabilă. Furtunurile, accesoriile și cuplajele de înaltă presiune sunt importante pentru siguranța aparatului. Utilizați numai furtunuri, accesorii și cuplaje de înaltă presiune recomandate de producător. Pentru a asigura siguranța aplicabilă, utilizați numai piese de schimb originale de la producător sau aprobate de producător. Opriti produsul și deconectați-l de la sursa de alimentare, eliminând ștecherul de la priză de la priză înainte de asamblare, curățare, reglare, întreținere, depozitare și transport sau convertirea produsului în altă funcție.

ATENȚIE: Aveți grijă la greutatea aparatului atunci când selectați locul de depozitare și în timpul transportului, pentru a preveni accidentele sau

leziunile.

Câteva ore de utilizare continuă a aparatului pot duce la amorțeală în mâini în cazuri rare.

- Purtați mănuși.
- Țineți mâinile calde.
- Luați pauze la intervale regulate. Lucrul cu detergent

AVERTISMENT: Utilizarea necorespunzătoare a detergentilor poate provoca leziuni grave sau oxidare.

Depozitați pompa de spălare de înaltă presiune departe de a fi la îndemâna copiilor.

Se descarcă presiunea reziduală înainte de a deconecta furtunul de la produs.

Verificați înainte de fiecare utilizare și la intervale regulate dacă toate elementele de fixare metalice sunt strânse și componentele produsului sunt în stare bună; inspectați piesele rupte sau uzate.

SPECIFICAȚIILE PRODUSULUI

UTILIZAREA PREVĂZUTĂ

În cazul în care se face racordarea la un sistem de apă potabilă, sistemul trebuie protejat împotriva refluxului.

Acest aspirator de înaltă presiune este proiectat cu un curent nominal de intrare. Utilizarea preconizată a acestui produs acoperă curățarea vehiculelor, clădirilor, teraselor, fațadelor și echipamentelor de grădină cu apă curată și detergenți chimici biodegradabili. De asemenea, produsul poate fi folosit pentru a curăța dale de pavaj sau jgheaburi de ploaie.

Acest produs nu poate fi utilizat pentru curățarea îmbrăcămintei, a încălțămintei și a altor materiale textile. Jetul de apă nu trebuie îndreptat împotriva persoanelor, animalelor, nici unui echipament electric sau asupra produsului în sine. Nu spălați obiectele care conțin materiale periculoase pentru sănătate. Produsul nu trebuie să fie administrat cu lichide inflamabile, explozive și toxice.

Din motive de siguranță, este esențial să citiți întregul manual de instrucțiuni înainte de prima operație și să respectați toate instrucțiunile de acolo.

DATE TEHNICE

Număr de identificare 47 194

Model HPW 155i PRO

Presiunea maximă	bar	155
Presiune de lucru	bar	125-135
Debitul de apă de lucru	l/h	540
Debitul nominal	l/h	660
Sistem de oprire automată		P

Specificația motorului

Tip motor INDUCȚIE

DATE TEHNICE		
Număr de identificare		47 194
Model	HPW 155i PRO	
Tensiune nominală	V	220-230
Frecvența nominală	Hz	50
Putere nominală	W	3.200
Max. temperatura de intrare a apei	°C	40
Clasa de protecție	IPX5	
Greutate	kg	49
Valorile zgomotului emis au fost determinate conform EN 60335-1, EN 60335-2-79, EN 62233		
Nivelul de zgomot evaluat A al mașinii este în mod normal de:		
Nivel presiune sonoră	db(A)	74
Nivelul fonic garantat	db(A)	90
Incertitudine K	dB	3
Valorile totale ale vibrațiilor ah (suma vectorială a trei direcții) și incertitudinea K au fost determinate conform EN 60335-1, EN 60335-2-79, EN 62233		
Nivelul vibrațiilor:		
a _h	m/s ²	2,2
K	m/s ²	0,7

IDENTIFICARE (Fig.1)

1. Mâner
2. Furtun de înaltă presiune
3. Suport cablu de alimentare
4. Tambur de furtun de înaltă presiune
5. Cablu de alimentare
6. Comutator OFF / ON
7. Roată
8. Flacon cu detergent
9. De alimentare cu apă
10. Ieșirea apei
11. Regulator de presiune
12. Duze
13. Furtun de aspirație și filtru
14. Trigger pistol și baghetă

INSTALARE

ATENȚIE: Asigurați-vă că înlocuiți capacul de ulei din plastic negru de pe partea superioară a pompei cu capacul galben al joi (dacă nu este deja în poziție), înainte de a utiliza mașina de spălat cu presiune.

1. MANEVRAREA INSTALĂRII

Montați mânerul pe baza pompei de spălare de înaltă presiune, așa se arată în (Fig. 2,3).

2. INSTALAREA BAGHETEI DE PULVERIZARE

Montați bagheta de pulverizare în pistol și rotiți-o până când cele două părți sunt complet blocate (Fig. 5).

3. CONECTAREA FURTUNULUI DE ÎNALTĂ PRESIUNE LA ARMA DE DECLANȘARE

Conectați adaptorul furtunului de înaltă presiune la pistolul declanșator și răsușiți piulița conform indicațiilor pentru a fixa conexiunea (Fig. 6)

4. CONECTAREA FURTUNULUI DE GRĂDINĂ LA INTRAREA DE APĂ

Conectați adaptorul furtunului de grădină (cuplaj de sex feminin) la intrarea de apă a mașinii de spălat sub presiune și apoi așezați furtunul de grădină (capătul masculin) în adaptorul furtunului de grădină (Fig. 7).

OPERAȚIUNEA

AVERTISMENT: Funcționarea uscată timp de mai mult de 2 minute poate duce la deteriorarea pompei de înaltă presiune. Dacă aparatul nu crește presiunea în decurs de 2 minute, opriți aparatul și continuați în conformitate cu instrucțiunile din capitolul "Depanare"

Funcționare de înaltă presiune

ATENȚIE: Păstrați o distanță de cel puțin 30 cm atunci când utilizați jet pentru curățarea suprafețelor vopsite pentru a evita deteriorarea.

ATENȚIE: Asigurați-vă că comutatorul ON/OFF este setat la "OPRIT" și introduceți ștecherul într-o priză instalată corespunzător.

ATENȚIE: Mașina de spălat trebuie utilizată pe o suprafață sigură și stabilă, în poziție verticală, în picioare. Conectați produsul la alimentarea cu energie electrică și apă conform descrierii. Deschideți alimentarea cu apă. Țineți pistolul de pulverizare cu ambele mâini. Îndreptați duza accesoriului ales departe de dumneavoastră spre suprafața care urmează să fie curățată. Deblocați declanșatorul și apăsați-l până când o cantitate constantă de apă curge prin duză, pentru a permite aerului prins în furtun să scape. Eliberează declanșatorul.

Porniți comutatorul "PORNIT/OPRIT".

Țineți pistolul de pulverizare cu ambele mâini. Îndreptați jet de apă la obiectul care urmează să fie curățat și apăsați pe trăgaci.

AVERTISMENT: Feriți-vă de recul atunci când apăsați pe trăgaci!

Presiunea prestabilită din fabrică oferă cel mai bun efect de presiune și curățare a apei. În cazul în care presiunea trebuie redusă, aceasta poate fi reglată după metodele de mai jos:

Păstrați treptat suprafața pentru a fi curățată mai departe. Cu cât suprafața este mai mare, cu atât presiunea este mai mică.

FUNCȚIONAREA CU DETERGENT

Detergentul poate fi adăugat numai atunci când dispozitivul este utilizat în modul de joasă presiune.

PERICOL: Atunci când se utilizează detergenți, trebuie vizualizată fișa de securitate a datelor ma-

terialelor eliberată de producătorul detergentului, în special instrucțiunile privind echipamentul individual de protecție.

Scoateți capacul flaconului de detergent curat. Scoateți ușor rezervorul de detergent de la bord din poziția sa de depozitare.

Umpleți rezervorul cu detergent conceput special pentru a fi utilizat cu șaibe sub presiune.

METODA DE CURĂȚARE RECOMANDATĂ

- Pulverizați detergentul cu moderație pe suprafața uscată și lăsați-l să reacționeze, dar nu să se usuce.
- Pulverizați murdăria slăbită cu ajutorul de înaltă presiune.

DUPĂ OPERAȚIA CU DETERGENT

Scoateți flaconul de detergent curat din furtun și închideți-l cu capacul, apoi curățați sistemul de injecție a detergentului cu apă curată. Pentru a realiza o lucrare completă de curățare a sistemului de injecție cu detergent, aplicați furtunul de detergent pe apă curată pentru a face spray-uri până când detergentul rămas este curățat din sistem. Fabrica de curat de înaltă presiune nu este responsabilă pentru daunele cauzate de detergent sau orice agent chimic.

OPERAȚIUNE CU PAUZE

- Eliberați maneta pistolului de declanșare.
- Blocați maneta pistolului declanșator.
- Puneți pistolul de declanșare cu lanca de pulverizare în poziția de parcare.
- În timpul pauzelor mai lungi (mai mult de 5 minute), opriți aparatul utilizând comutatorul "PORNIT/OPRIT".

ÎNCEPE

- Verificați furtunul de admisie pentru reziduuri și saboți
- Conectați alimentarea cu apă și intrarea pompei cu furtunul de admisie și asigurați-vă că furtunul este marea de aer.
- Conectați furtunul de înaltă presiune la priză pompei.
- Porniți alimentarea cu apă
- Porniți motorul electric în timp ce porniți comutatorul "PORNIT/OPRIT"
- Apăsăți pe trăgaciul pistolului de pulverizare, începând să pulverizați
- Eliberați declanșatorul și opriți apa
- Reglați modelul de pulverizare prin schimbarea duzei.

OPREȘTE-TE

- Eliberați maneta pistolului de declanșare.
- Opriți alimentarea cu apă.
- Opriți aparatul "PORNIT/OPRIT".
- Deconectați ștecherul de la priză.
- Apăsăți pârghia pistolului declanșator pentru a elibera orice presiune rămasă în sistem.
- Eliberați maneta pistolului de declanșare.
- Blocați maneta pistolului declanșator.

ATENȚIA

- La deconectarea alimentării sau a furtunului de

înaltă presiune, se poate scurge apă caldă din conexiune după funcționare.

PROTECȚIE ÎMPOTRIVA ÎNGHEȚULUI

AVERTIZARE

Aparatele și accesoriile care nu sunt complet drenate pot fi distruse de îngheț.

Se scurge complet aparatul și accesoriile pentru a le proteja împotriva înghețului.

Pentru a evita deteriorarea:

- Desprindeți aparatul de alimentare cu apă.
- Desprindeți lanca de pulverizare de la pistolul de declanșare.
- Porniți aparatul "PORNIT/OPRIT".
- Împingeți maneta pistolului de declanșare până când nu mai iese apă.
- Eliberați maneta pistolului de declanșare.
- Blocați maneta pistolului declanșator.
- Opriți aparatul "PORNIT/OPRIT".
- Depozitați aparatul și toate accesoriile într-o cameră fără îngheț.

ÎNTREȚINERE ȘI CURĂȚARE

AVERTIZARE

RISC DE ELECTROCUTARE

Înainte de toate lucrările la aparat, opriți aplicarea și trageți ștecherul. Înainte de reparare sau întreținere, este necesar să așteptați până când temperatura ridicată a suprafeței aparatului și apa de înaltă presiune revin la temperatura și presiunea normală sau poate provoca vătămări grave.

SCHIMBAREA ULEIULUI ÎN POMPĂ

Uleiul lubrifiant trebuie schimbat în primele 50 de ore de funcționare și după aceea, la fiecare 100 de ore.

- Dop de scurgere a uleiului în vrac (Fig. 8.3).
- Înclinați partea opusă a drenajului de ulei mai mare, făcând drenajul uleiului cu care se confruntă tava de scurgere a uleiului drept.
- Scoateți dopul de scurgere a uleiului și scurgeți uleiul rezidual.
- După drenarea completă a uleiului, puneți dopul de scurgere a uleiului înapoi.
- Strângeți dopul de drenaj al uleiului și umpleți noul ulei (SAE 5W-40), până când fereastra indicatorului nivelului uleiului este acoperită pe jumătate de noul ulei (Fig. 8.2).
- Puneți capacul de ulei și strângeți-l (Fig. 8.1).

FURTUN DE ÎNALTĂ PRESIUNE

- Furtunul de înaltă presiune este special construit cu pereți ranforțați, care pot fi ușor deteriorați și, prin urmare, trebuie depozitat cu atenție.
- Nu conduceți vehicule peste furtun.
- Nu expuneți furtunul la muchii sau colțuri ascuțite. Utilizarea necorespunzătoare va duce la balonare sau la defectarea prematură și va anula garanția.

CURĂȚAREA FILTRULUI DE APĂ

Curățați în mod regulat sita în racordarea la apă. Scoateți cuplajul de la racordarea la apă și clățiți cu apă caldă pentru a preveni înfundarea pompei de către orice materie străină. Curățați duza cu acul pulverizat, pentru a curăța mașina. Scoateți bagheta de pulverizare din pistol. Îndepărtați murdăria din orificiul duzei și clățiți.

ATENȚIA

Sita nu trebuie deteriorată. Scoateți sita cu clește plate. Curățați sita sub jet de apă. Reintroduceți sita în racordarea la apă.

PROTECȚIA MEDIULUI

Reciclați materiile prime în loc să aruncați ca deșeuri. Mașinile, accesoriile și ambalajele trebuie sortate pentru mediu - reciclare prietenoasă. Componentele din plastic sunt etichetate pentru reciclare clasificate.

GARANȚIE

Acest produs este garantat în conformitate cu regulamentele legale/ specifice fiecărei țări, cu efect de la data cumpărării de către primul utilizator. Daunele care pot fi atribuite uzurii normale, supraîncălzirii sau manipulării necorespunzătoare vor fi excluse din garanție. În cazul unei cereri, vă rugăm să trimiteți mașina, complet asamblată, dealerului sau centrului oficial de service.

MAGYAR

ÁLTALÁNOS BIZTONSÁGI FIGYELMEZTETÉSEK

ÁRAMÚTÉS VESZÉLYE

Soha ne érintse meg a hálózati csatlakozót és a konnektort nedves kézzel. Minden használat előtt ellenőrizze a tápkábelt a hálózati csatlakozóval, hogy nem sérült-e. Ne használja a gépet, ha a tápkábel vagy a gép fontos részei megsérültek, pl. biztonsági berendezések, nagynyomású tömlők, kioldópisztoly. A munkaterületen minden áramvezető alkatrészt védeni kell a vízszűrő ellen. A hálózati csatlakozódugónak és a hosszabbító kábel csatlakozójának vízállóknak kell lennie, és soha nem szabad vízben feküdnie. Ezenkívül a tengelykapcsoló soha nem fekhudhet a földön. Olyan kábeltekercesek használata javasolt, amelyek biztosítják, hogy az aljzatok legalább 60 mm-rel a talaj felett legyenek. Ügyeljen arra, hogy a tápkábelt ne sértse meg az elhaladó, becsípődő vagy húzó járművek. Óvja a tápkábeleket hőtől, olajtól és éles szélektől. Mindig kapcsolja ki a főkapcsolót, ha felügyelet nélkül hagyja a készüléket.

FIGYELMEZTETÉS: A készüléket csak villanyszerelő által telepített elektromos hálózatra szabad csatlakoztatni.

A készüléket csak váltakozó áramra szabad csatlakoztatni. A feszültségnek meg kell egyeznie a készülék típus tábláján szereplő értékkel.

Biztonsági okokból javasoljuk, hogy a készüléket csak hibaáram-védőkapcsolón (max. 30 mA) keresztül üzemeltethesse. A nem megfelelő elektromos hosszabbító kábel veszélyes lehet.

VESZÉLY: A készüléket nem szabad robbanásveszélyes környezetben üzemeltetni.

Robbanásveszély - Ne permetezzen gyúlékony folyadékot.

Soha ne szívjon be oldószert vagy hígítatlan savakat és oldószereket tartalmazó folyadékokat! Ez magában foglalja a benzint, a festékhígítót és a fűtőolajat. A permetező köd erősen gyúlékony, robbanásveszélyes és mérgező. Ne használjon acetont, hígítatlan savakat és oldószereket, mert ezek korrodálják a készüléken használt anyagokat. Soha ne használja a terméket gyúlékony vagy mérgező folyadékokkal, vagy olyan folyadékokkal, amelyek tulajdonságai nem egyeztetetők össze a megfelelő működéssel.

A csomagolófóliákat tartsa távol a gyerekektől, fulladásveszély áll fenn!

KATEGÓRIA BIZTONSÁGI FIGYELMEZTETÉSEK

BIZTONSÁGOS KEZELÉS

A felhasználónak rendeltetésszerűen kell tartania a készüléket. A személynek figyelembe kell vennie a helyi viszonyokat, és ügyelnie kell a közelben tartózkodó személyekre, amikor a készülékkel dolgozik.

Minden művelet előtt ellenőrizze a fontos alkatrészeket, például a nagynyomású tömlőt, a kézi

szórópisztolyt és a biztonsági berendezéseket, hogy nem sérültek-e. Azonnal cserélje ki a sérült alkatrészeket. Ne működtesse a készüléket sérült alkatrészekkel.

FIGYELMEZTETÉS: A készüléket a gyártó által szállított vagy ajánlott tisztítószerezrel való használatra tervezték. Más tisztítószerek vagy vegyszerek használata hátrányosan befolyásolhatja a készülék biztonságát. A nagynyomású fúvókák veszélyesek lehetnek, mert csökkentik az injekció vagy az emberek sérülésének kockázatát.

A fúvókát nem szabad személyekre, feszültség alatt álló elektromos berendezésekre vagy magára a gépre irányítani. Tartsa a motort legalább 6 m távolságra a robbanásveszélyes gőzöktől. Nagy nyomás, tartsa távol a fúvókától. Ne permetezzen az elektromos készülékekre és a vezetésekre. A fegyver visszarúg, tartsa két kézzel. Ne irányítsa a fúvókát saját maga vagy mások ellen ruházat vagy lábbeli tisztítása céljából. Ne használja a készüléket tömegben, kivéve, ha védőruházatot viselnek. A készülék használata közben viseljen megfelelő személyi védőfelszerelést (PPE). A készüléket gyermekek vagy képzetlen személyek nem használhatják. Ezt a készüléket nem használhatják olyan személyek (beleértve a gyerekeket is), akik csökkent fizikai, érzékszervi vagy szellemi képességekkel rendelkeznek, vagy nem rendelkeznek tapasztalattal és tudással. Gyermekek nem játszhatnak ezzel a készülékkel. Felügyelje a gyerekeket, hogy ne játszanak a készülékkel. A nagynyomású fúvókából kibocsátott vízsugár a kézi szórópisztolyra ható taszító erőt eredményez. Győződjön meg róla, hogy szilárdan áll, és erősen fogja a kézi szórópisztolyt és a szórószárat is. Soha ne hagyja felügyelet nélkül a készüléket, amíg az üzemel.

FIGYELEM: Hosszabb szünetek esetén kapcsolja ki a készüléket a főkapcsolóval vagy húzza ki a hálózati csatlakozót. Ne működtesse a készüléket 0°C alatti hőmérsékleten.

FIGYELMEZTETÉS: A vonatkozó előírások szerint a készüléket soha nem szabad ivóvízhálózaton használni rendszerleválasztó nélkül. Győződjön meg arról, hogy az épület vízrendszerének csatlakozása, amelyen a nagynyomású tisztító működik, el van látva rendszerleválasztóval. A visszafolyásgátlókon átfolyt víz nem iható. A nagynyomású tömlők, szerelvények és csatlakozók fontosak a készülék biztonsága szempontjából. Csak a gyártó által javasolt nagynyomású tömlőket, szerelvényeket és csatlakozókat használjon. A megfelelő biztonság érdekében csak a gyártó eredeti vagy a gyártó által jóváhagyott pótalkatrészeket használjon. Kapcsolja ki a terméket, és húzza ki az áramforrásból, és húzza ki a tápkábel a konnektorból az összeszerelés, tisztítás, beállítás, karbantartás, tárolás és szállítás, illetve a termék más funkcióra való átalakítása előtt.

VIGYÁZAT: A tárolási hely kiválasztásakor és a szállítás során ügyeljen a készülék súlyára, hogy elkerülje a baleseteket és sérüléseket. A készülék több órás folyamatos használata ritka esetekben a kezek zsibbadásához vezethet.

- Viseljen kesztyűt.
- Tartsa a kezét melegen.

- Rendszeres időközönként tartson szüneteket. Mosószerezrel végzett munka

FIGYELMEZTETÉS: A tisztítószerek nem megfelelő használata súlyos sérüléseket vagy oxidációt okozhat.

A nagynyomású mosószivattyút gyermekektől elzárva tárolja.

Engedje le a maradék nyomást, mielőtt leválasztja a tömlőt a termékről.

Minden használat előtt és rendszeres időközönként ellenőrizze, hogy minden fémrészlet meg van-e húzva, és a termék alkatrészei jó állapotban vannak-e; vizsgálja meg, hogy nincsenek-e törött vagy kopott alkatrészek.

TERMÉKLEÍRÁS

RENDELTESSZERŰ HASZNÁLAT

Ha ivóvízrendszerhez csatlakozik, a rendszert védeni kell a visszafolyás ellen.

Ezt a nagynyomású tisztítót névleges bemeneti árammal tervezték. A termék rendeltetészerű használat járművek, épületek, teraszok, homlokzatok és kerti berendezések tisztítására terjed ki tiszta vízzel és biológiailag lebomló vegyi tisztítószerekkel. Hasonlóképpen, a termék használható járdalapok vagy esőcsatornák tisztítására is.

Ez a termék nem használható ruhák, cipők és egyéb textíliák tisztítására. A vízsugarat nem szabad személyekre, állatokra, elektromos berendezésekre vagy magára a termékre irányítani. Ne öblítse le az egészségre veszélyes anyagokat tartalmazó tárgyakat. A terméket nem szabad gyúlékony, robbanásveszélyes és mérgező folyadékokkal működtetni.

Biztonsági okokból az első használat előtt feltétlenül olvassa el a teljes használati útmutatót, és tartsa be az abban található összes utasítást.

MŰSZAKI ADATOK

Cikkszám 47 194

Modell HPW 155i PRO

Max. Nyomás bar 155

Munkahelyi nyomás bar 125-135

Működő vízáramlás l/h 540

Névleges vízáramlás l/h 660

Auto Stop rendszer P

Motor specifikáció

Motor típusa INDUKCIÓS

Feszültség V 220-230

Frekvencia Hz 50

Névleges bemenet W 3.200

Max. víz bemeneti hőmérséklet °C 40

MŰSZAKI ADATOK		
Cikkszám	47 194	
Modell	HPW 155i PRO	
Védelmi osztály		IPX5
Súly	kg	49
Az EN 60335-1, EN 60335-2-79, EN 62233 szerint meghatározott zajkibocsátási értékek		
A termék A-súlyozott zajsztintjei általában a következők:		
Hangnyomás szint	db(A)	74
Garantált hangteljesítményszint	db(A)	90
Bizonytalanság K	dB	3
szerint meghatározott rezgési összértékek ah (triax vektorösszeg) és K bizonytalanság EN 60335-1, EN 60335-2-79, EN 62233		
Maximális rezgésszint:		
a _h	m/s ²	2,2
K	m/s ²	0,7

AZONOSÍTÁS (1. ÁBRA)

1. Fogantyú
2. Nagynyomású tömlő
3. Tápkábel tartó
4. Nagynyomású tömlődob
5. Tápkábel
6. KI/BE kapcsolat
7. Kerék
8. Mosószeres flakon
9. Vízbefolyó
10. Vízkivezetés
11. Nyomásszabályozó
12. Fúvókák
13. Szívótömlő és szűrő
14. Kioldó pisztoly és pálcá

TELEPÍTÉS

WARNING: Make sure that you replace the black plastic cap on the top of the pump with the yellow dipstick cap (if not already in position), before operating the pressure washer.

1. FOGJA MEG A TELEPÍTÉST

Szerelje fel a fogantyút a nagynyomású mosószivattyú aljára, ahogy az ábra mutatja (2., 3. ábra).

2. SZÓRÓPÁLCÁ FELSZERELÉSE

Illessze a szórópálcát a pisztolyba, és forgassa el, amíg a két rész teljesen rögzül (5. ábra).

3. A NAGYNYOMÁSÚ TÖMLŐ CSATLAKOZTATÁSA

A RAVASZFEGYVERHEZ

Csatlakoztassa a nagynyomású tömlő adapterét a kioldópisztolyhoz, és csavarja el az anyát a jelzett módon a csatlakozás rögzítéséhez (6. ábra).

4. A KERTI TÖMLŐ CSATLAKOZTATÁSA A VÍZBEMENETHEZ

Csatlakoztassa a kerti tömlő-adaptert (anya csatlakozó) a nagynyomású mosó vízbemenetéhez, majd csavarja be a kerti tömlőt (alakú végét) a kerti tömlő adapterébe (7. ábra).

MŰVELET

FIGYELMEZTETÉS: 2 percnél hosszabb szárazon futás a nagynyomású szivattyú károsodásához vezethet. Ha a készülékben 2 percen belül nem alakul ki nyomás, kapcsolja ki a készüléket, és járjon el a „Hibaelhárítás” fejezetben leírtak szerint.

Nagynyomású működés

VIGYÁZAT: Tartson legalább 30 cm-es távolságot, amikor a fúvókát festett felületek tisztítására használja, hogy elkerülje a sérüléseket.

VIGYÁZAT: Győződjön meg arról, hogy a BE/KI kapcsoló „OFF” állásban van, és dugja be a dugót egy megfelelően felszerelt aljzatba.

FIGYELEM: A mosógépet biztonságos és stabil felületen, álló, függőleges helyzetben kell használni. Csatlakoztassa a terméket az áram- és vízellátáshoz a leírtak szerint. Nyissa ki a vízellátást. Tartsa a szórópisztolyt két kézzel. Irányítsa a kiválasztott tartozék fúvókáját magától a tisztítandó felület felé. Oldja ki a ravaszt, és nyomja le, amíg állandó mennyiségű víz át nem folyik a fúvókán, hogy a tömlőben rekedt levegő eltávozzon. me nekülj. Engedd el a ravaszt.

Kapcsolja „ON” állásba az ON/OFF kapcsolót.

Két kézzel fogja meg a szórópisztolyt. Irányítsa a vízugarat a tisztítandó tárgyra, és nyomja meg a ravaszt.

FIGYELMEZTETÉS: Ügyeljen a visszarúgásra a kioldó megnyomásakor!

A gyárilag előre beállított nyomás biztosítja a legjobb víznyomást és tisztító hatást. Ha a nyomást csökkenteni kell, az alábbi módszerekkel állítható be:

Fokozatosan tartsa távolabb a tisztítandó felületet. Minél távolabb van a felület, annál kisebb a nyomás.

MŰKÖDÉS TISZTÍTÓSZERREL

Mosószer csak akkor adható hozzá, ha a készülék alacsony nyomású üzemmódban működik.

VESZÉLY: Mosószeres használatakor figyelembe kell venni a mosószer gyártója által kiadott anyagbiztonsági lapot, különös tekintettel az egyéni védőeszközökre vonatkozó utasításokra.

Távolítsa el a tiszta mosószeres flakon kupakját. Óvatosan húzza ki a beépített mosószer-tartályt a tárolási helyzetéből.

Töltse fel a tartályt kifejezetten nagynyomású mosókhoz készült mosószerrel.

AJÁNLOTT TISZTÍTÁSI MÓDSZER

- Mértékkel permetezze a mosószert a száraz felületre, és hagyja, hogy reagáljon, de ne száradjon meg.
- Fújja le a fellazult szennyeződések nagy nyomású Met-rel.

A MOSÓSZERREL VÉGZETT MŰVELET UTÁN

Távolítsa el a tömlőtisztó mosószeres palackot a szívónyílásból, és zárja le a fedéllel, majd tisztítsa meg a mosószér-befecskendező rendszert tiszta vízzel. A mosószér-befecskendező rendszer teljes tisztításához vigye fel a mosószertömlőt tiszta vízre, hogy permetezzen, amíg a maradék mosószér ki nem tisztul a rendszerből. A nagynyomású tisztító gyára nem vállal felelősséget a mosószér vagy bármely vegyi anyag által okozott károkért.

MŰKÖDÉS SZÜNETEKEL

- Engedje el az indítópisztoly karját.
- Zárja le a ravaszfegyver karját.
- Tegye a szórópisztolyt a szórófejlé parkolási helyzetbe.
- Hosszabb szünetekben (több mint 5 perc) kapcsolja ki a készüléket az „ON/OFF” kapcsolóval is.

RAJT

- Ellenőrizze a bemeneti tömlőben maradványokat és eltömődéseket
- Csatlakoztassa a vízellátást és a szivattyú bemenetét a bemeneti tömlőhöz, és ellenőrizze, hogy a tömlő légáramú-e.
- Csatlakoztassa a nagynyomású tömlőt a szivattyú kimenetéhez.
- Kapcsolja be a vízellátást
- Indítsa el az elektromos motort, miközben az „ON/OFF” kapcsolót BE kapcsolja
- Húzza meg a szórópisztoly kioldóját, és kezdje el a permetezést
- Engedje el a ravaszt, és állítsa le a vizet
- Állítsa be a permetezési mintát a fúvóka cseréjével.

ÁLLJ MEG

- Engedje el az indítópisztoly karját.
- Zárja el a vízellátást.
- Kapcsolja ki a készüléket „BE/KI”.
- Húzza ki a hálózati csatlakozót a konnektorból.
- Nyomja meg a kioldó pisztoly karját a rendszerben maradt nyomás kiengedéséhez.
- Engedje el az indítópisztoly karját.
- Zárja le a ravaszfegyver karját.

FIGYELEM

Az ellátó vagy nagynyomású tömlő leválasztásakor meleg víz szivároghat ki a csatlakozásból működés után.

FAGYVÉDELEM

FIGYELEM

- A teljesen le nem ürített készüléket és tartozékokat a fagy tönkretelheti.

- Teljesen ürítse le a készüléket és a tartozékokat, hogy megvédje őket a fagytól.
- A károsodás elkerülése érdekében:
- Válassza le a készüléket a vízhálózatról.
- Távolítsa el a szórópisztolyt a szórópisztolyról.
- Kapcsolja be a készüléket „BE/KI”.
- Nyomja meg a pisztoly karját, amíg már nem folyik ki víz.
- Engedje el az indítópisztoly karját.
- Zárja le a ravaszfegyver karját.
- Kapcsolja ki a készüléket „BE/KI”.
- A készüléket és az összes tartozékot fagymentes helyen tárolja.

KARBANTARTÁS ÉS TISZTÍTÁS

FIGYELEM ÁRAMÜTÉS VESZÉLYE

A készüléken végzett minden munka előtt kapcsolja ki a készüléket, és húzza ki a hálózati csatlakozót. Javítás vagy karbantartás előtt meg kell várni, amíg a készülék felületének magas hőmérséklete és a nagynyomású víz visszaáll a normál hőmérsékletre és nyomásra, különben ez súlyos sérülés.

OLAJCSERE A SZIVATTYÚBAN

A kenőolajat az első 50 üzemóránban, majd 100 óránként kell cserélni.

- Laza olajleeresztő csavart (8.3. ábra).
- Döntse magasabbra az olajleeresztő másik oldalát úgy, hogy az olajleeresztő egyenesen az olajleeresztő edény felé nézzen.
- Távolítsa el az olajleeresztő csavart és engedje le a fáradt olajat.
- Az olaj teljes leeresztése után helyezze vissza az olajleeresztő csavart.
- Húzza meg az olajleeresztő csavart, és töltsön be új olajat (SAE 5W-40), amíg az olajsintjelző ablakot félig el nem fedi az új olaj (8.2. ábra).
- Tegye vissza az olajsapkát és húzza meg (81. ábra).

NAGYNYOMÁSÚ TÖMLŐ

- A nagynyomású tömlő speciálisan megerősített falakkal készült, amelyek könnyen megsérülhetnek, ezért gondosan kell tárolni.
- Ne hajtson át járműveket a tömlőn.
- Ne tegye ki a tömlőt éles széleknek vagy sarkoknak. A helytelen használat léggyömbökhöz vagy idő előtti meghibásodáshoz vezethet, és érvényteleníti a garanciát.

VÍZSZŰRŐ TISZTÍTÁS

Rendszeresen tisztítsa meg a vízcsatlakozásban lévő szitát. Távolítsa el a csatlakozót a vízcsatlakozásról, és öblítse le meleg vízzel, nehogy bármilyen idegen anyag eltömítse a szivattyút. Tisztítsa meg a fúvókát a mellékelt tüvel a szerszám tisztításához. Távolítsa el a szórópálcát a pisztolyról. Távolítson el minden szennyeződést a fúvóka nyílásából, és öblítse le.

FIGYELEM

A szitának nem szabad megsérülnie. Lapos fogóval húzza ki a szitát. Tisztítsa meg a szitát folyó víz alatt. Helyezze vissza a szitát a vízcsatlakozóba.

KÖRNYEZETVÉDELEM

Hasznosítsa újra a nyersanyagokat ahelyett, hogy hulladékként dobná el. A gépet, a tartozékokat és a csomagolást szét kell válogatni a környezetbarát újrahasznosítás érdekében. A műanyag alkatrészek kategorizált újrahasznosítás céljából vannak felcímkézve.

GARANCIA

Erre a termékre a törvényi/országspecifikus előírásoknak megfelelő garanciát vállalunk, amely az első felhasználó általi vásárlás napjától érvényes. A normál kopásból, túlterhelésből vagy szakszerűtlen kezeléssel eredő károk nem tartoznak a garancia hatálya alá. Reklamáció esetén kérjük, küldje el a gépet teljesen összeszerelve a kereskedőhöz vagy a hivatalos szervizközponthoz.

LIETUVIŪ K.**BENDRIEJI SAUGOS ĮSPĖJIMAI****ELEKTROS SMŪGIO RIZIKA**

Niekada nelieskite maitinimo kištuko ir lizdo šlapiomis rankomis. Prieš kiekvieną naudojimą patikrinkite maitinimo laidą su maitinimo laidu su maitinimo tinklu Kištukas nepažeistas. Nenaudokite mašinos, jei pažeistas tiekimo laidas arba svarbios mašinos dalys, pvz., saugos įtaisai, aukšto slėgio žarnos, trigerinis pistoletas. Visos srovę laidžios dalys darbo zonoje turi būti apsaugotos nuo reaktyvinio vandens. Tinklo kištukas ir prailginimo kabelio mova turi būti nelaidūs vandeniui ir niekada neturi gulėti vandenyje. Be to, mova niekada negali gulėti ant žemės. Rekomenduojama naudoti kabelių rites, užtikrinančias, kad lizdai būtų bent 60 mm virš žemės. Įsitinkinkite, kad maitinimo laidas nėra pažeistas transporto priemonėms, važiuojančioms, suspaudžiant ar velkant. Apsaugokite maitinimo laidus nuo karščio, alyvos ir aštrių briaunų. Visada išjunkite tinklo jungiklį, kai paliekate prietaisą be priežiūros.

ĮSPĖJIMAS: Prietaisą galima prijungti tik prie elektros tiekimo, kurį sumontavo elektrikas.

Prietaisas gali būti prijungtas tik prie kintamosios srovės. Įtampa turi atitikti prietaiso tipo plokštę.

Saugumo sumetimais prietaisą rekomenduojame naudoti tik per liekamosios srovės įtaisą (ne daugiau kaip 30mA). Netinkamas elektros prailginimo kabelis gali būti pavojingas.

PAVOJUS: Prietaisas neturi būti naudojamas sprogių aplinkoje.

Sprogimo rizika - Nepurškite degių skysčių.

Niekada netraukite skysčių, kuriuose yra tirpiklių ar neskiestų rūgščių ir tirpiklių! Tai apima benzina, dažų skiediklį ir šildymo alyvą. Purškimo rūkas yra labai degus, sproguis ir nuodingas. Nenaudokite acetono, neskiestų rūgščių ir tirpiklių, nes jie korozuoja prietaise naudojamas medžiagas.

Niekada nenaudokite produkto su degiais ar toksiškais skysčiais ar skysčiais, kurių savybės nesuderinamos su tinkamu jo veikimu.

Laikykite pakavimo plėveles atokiau nuo vaikų, kyla pavojus užduosti!

KATEGORIJS SAUGOS ĮSPĖJIMAI**SAUGOS VALDYMAS**

Naudotojas privalo laikyti prietaisą taip, kaip nurodyta. Asmuo, dirbdamas su prietaisu, turi atsižvelgti į vietos sąlygas ir atkreipti dėmesį į kitus netoliese esančius asmenis.

Prieš kiekvieną operaciją patikrinkite, ar nėra svarbių komponentų, tokių kaip aukšto slėgio žarna, rankinis purškimo pistoletas ir saugos įrenginiai, ar jie nepažeisti. Nedelsdami pakeiskite pažeistus komponentus. Nenaudokite prietaiso su pažeistais komponentais.

ĮSPĖJIMAS: Prietaisas buvo skirtas naudoti su valymo priemone, kurią tiekia arba rekomenduojama gamintojas. Kitų valymo priemonių ar cheminių medžiagų naudojimas gali neigiamai paveikti prie-

taiso saugumą. Aukšto slėgio purkštukai gali būti pavojingi, siekiant sumažinti injekcijos ar žmonių sužalojimo riziką - nenukreipkite srauto tiesiai į žmones.

Reaktyvinis lėktuvas neturi būti nukreiptas į žmones, gyvą elektros įrangą ar pačią mašiną. Laikykite variklį bent 6 m atstumu nuo sprogstamųjų garų. Aukštas slėgis, saugokite nuo purkštuko. Nepurkškite elektrinių aparatų ir laidų. Gun Kicks Back, laikykite abiem rankomis. Nenukreipkite purkštuko prieš save ar kitus, kad išvalytumėte drabužius ar kojų dėvėjimą. Nenaudokite prietaiso minioje, nebent jie dėvi apsauginius drabužius. Valdydami prietaisą dėvėkite tinkamas personalo apsaugos priemones (AAP). Prietaisas neturi būti naudojamas vaikų ar ne kvalifikuotų darbuotojų. Šis prietaisas nėra skirtas naudoti žmonėms (įskaitant vaikus), turintiems ribotas fizines, jutimines ar psichines galimybes arba neturintiems patirties ir žinių. Vaikai negali žaisti su šiuo prietaisu. Prižiūrėkite vaikus, kad jie negalėtų žaisti su prietaisu. Vandens srovė, sklaidžiama iš aukšto slėgio purkštuko, sukelia atbaidymo galią, veikiančią rankinį purškimo pistoletą. Įsitikinkite, kad turite tvirtą pagrindą, taip pat laikote rankinį purškimo pistoletą ir tvirtai purškite lancetą. Niekada nepalikite prietaiso be priežiūros tol, kol jis veikia.

DĖMESIO: Jei yra ilgų pertraukų, išjunkite prietaisą prie pagrindinio jungiklio arba patraukite tinklo kištuką. Nenaudokite prietaiso esant žemesnei nei 0°C temperatūrai.

ĮSPĖJIMAS: Pagal galiojančias taisykles prietaisas niekada neturi būti naudojamas geriamojo vandens tinkle be sistemos separatoriaus. Įsitikinkite, kad jūsų pastato vandens įrenginio, kuriame veikia aukšto slėgio valiklis, prijungimas yra aprūpintas sistemos separatoriumi pagal. Vanduo, sklindęs per atgalinio srauto prevencijos priemones, laikomas negeriamu. Aukšto slėgio žarnos, jungiamosios detalės ir movos yra svarbios prietaiso saugumui. Naudokite tik gamintojo rekomenduojamas aukšto slėgio žarnas, jungiamąsias detales ir movas. Siekiant užtikrinti taikomą saugą, naudokite tik originalias gamintojo arba gamintojo patvirtintas atsargines dalis. Išjunkite gaminį ir atjunkite jį nuo maitinimo šaltinio, ištraukdami maitinimo kištuką iš lizdo lizdo prieš surinkdami, valydami, reguliuodami, prižiūradami, laikydami ir transportuodami arba konvertuodami gaminį į kitą funkciją.

ATSARGIAI: Atkreipkite dėmesį į prietaiso svorį pasirinkdami saugojimo vietą ir transportavimo metu, kad išvengtumėte nelaimingų atsitikimų ar sužalojimų.

Kelios valandos nepertraukiamo prietaiso naudojimo retais atvejais gali sukelti rankų tirpimą.

Mūvėkite pirštines.

Laikykite rankas šiltas.

Reguliariai darykite pertraukas. Darbas su plovikliu

ĮSPĖJIMAS: Netinkamas ploviklių naudojimas gali sukelti sunkius sužalojimus ar oksidaciją.

Aukšto slėgio plovimo siurblių laikykite atokiau nuo vaikų pasiekiamumo.

Prieš atjungdami žarną nuo gaminio, išleiskite likusią slėgį.

Prieš kiekvieną naudojimą ir reguliariais intervalais patikrinkite, ar visos metalinės tvirtinimo detalės yra sandarios ir gaminio komponentai yra geros būklės; patikrinkite, ar nėra skaldytų ar susidėvėjusių dalių.

PRODUKTO SPECIFIKACIJOS

NUMATOMA PASKIRTIS

Jei prijungiama prie geriamojo vandens sistemos, sistema turi būti apsaugota nuo atgalinio srauto.

Šis aukšto slėgio valiklis suprojektuotas su vardine įėjimo srove. Numatoma šio produkto paskirtis apima transporto priemonių, pastatų, terasų, fasadų ir sodo įrangos valymą naudojant švarų vandenį ir biologiškai skaidžius cheminius ploviklius. Taip pat produktas gali būti naudojamas grindinio plokštėms ar lietaus latakams valyti. Šis gaminys negali būti naudojamas drabužiams, batams ir kitiems tekstilės gaminiams valyti. Vandens srovė neturėtų būti nukreipta prieš asmenis, gyvūnus, bet kokią elektros įrangą ar patį gaminį. Neplaukite jokių daiktų, kuriuose yra sveikatai pavojingų medžiagų. Produkto negalima paleisti degiais, sprogiais ir toksiškais skysčiais.

Saugumo sumetimais prieš pirmą operaciją būtina perskaityti visą naudojimo instrukciją ir laikytis visų ten pateiktų instrukcijų.

TECHNINIAI DUOMENYS

Straipsnio numeris

47 194

Modelis

HPW 155i PRO

Maks. Slėgis

bar 155

Darbinis slėgis

bar 125-135

Darbinis vandens srautas

l/h 540

Vardinis vandens srautas

l/h 660

Automatinio sustabdymo sistema

P

Variklio specifikacija

Variklio tipas

INDUKCINIS

Įtampa

V 220-230

Dažnis

Hz 50

Vardinis įleidimo anga

W 3.200

Maksimali vandens įleidimo temperatūra

°C 40

Apsaugos klasė

IPX5

Sunkumas

kg 49

TECHNINIAI DUOMENYS		
Straipsnio numeris		47 194
Modelis		HPW 155i PRO
Skleidžiamo garso vertės, nustatytos pagal EN 60335-1, EN 60335-2-79, EN 62233		
Paprastai produkto A svertiniai triukšmo lygiai yra šie:		
Garso slėgio lygis	db(A)	74
Garantuotas garso galios lygis	db(A)	90
Neapibrėžtumas K	dB	3
Bendros vibracijos vertės ah (briausio vektoriaus suma) ir neapibrėžtis K, nustatytos pagal EN 60335-1, EN 60335-2-79, EN 62233		
Maksimalus vibracijos lygis:		
a _h	m/s ²	2,2
K	m/s ²	0,7

IDENTIFIKAVIMAS (1 PAV.)

1. Rankenėlė
2. Aukšto slėgio žarna
3. Maitinimo laido laikiklis
4. Aukšto slėgio žarnos ritė
5. Maitinimo laidas
6. IŠJUNGIMO / ĮJUNGIMO jungiklis
7. Ratas
8. Ploviklio butelis
9. Vandens įleidimo anga
10. Vandens išleidimo anga
11. Slėgio reguliatorius
12. Antgaliai
13. Siurbimo žarna ir filtras
14. Gaiduko pistoletas ir lazdelė

DIEGIMO

IŠPĖJIMAS: Prieš naudodami slėgio plovyklą, įsitikinkite, kad pakeiskite juodą plastikinį alyvos dangtelį, esantį siurblio viršuje, geltonu matuoklio dangteliu (jei dar nėra padėtyje).

1. TVARKYKITE MONTAVIMĄ

Pritvirtinkite rankenos strypą ant aukšto slėgio plovimo siurblio pagrindo, kaip parodyta (2, 3 pav.).

2. PURŠKIMO LAZDELĖS MONTAVIMAS

Įkiškite purškimo lazdelę į pistoletą ir pasukite, kol abi dalys bus visiškai užrakintos (5 pav.).

3. AUKŠTO SLĖGIO ŽARNOS PRIJUNGIMAS Į GAIDUKO PISTOLETĄ

Prijunkite aukšto slėgio žarnos adapterį prie gaiduko pistoleto ir pasukite veržlę, kaip nurodyta, kad pritvirtintumėte jungtį (6 pav.).

4. SODO ŽARNOS PRIJUNGIMAS PRIE VANDENS ĮLEIDIMO ANGOS

Prijunkite sodo žarnos adapterį (moterišką sukabintuvą) prie slėgio plovimo mašinos vandens įleidimo angos ir tada įsukite sodo žarną (vyrišką galą) į sodo žarnos adapterį (7 pav.).

OPERACIJA

IŠPĖJIMAS: Sausas veikimas ilgiau nei 2 minutes gali sugadinti aukšto slėgio siurblių. Jei prietaisas per 2 minutes nesudeda slėgio, išjunkite prietaisą ir tęskite pagal instrukcijas, pateiktas skyriuje "Triukšių šalinimas".

Aukšto slėgio veikimas

ATSARGIAI: Naudodami purkštuką dažytiems paviršiams valyti laikykite bent 30 cm atstumą, kad išvengtumėte pažeidimų.

ATSARGIAI: Įsitikinkite, kad įjungimo / išjungimo jungiklis nustatytas kaip "IŠJUNGTA", ir įkiškite kištuką į tinkamai sumontuotą lizdą.

DĖMESIO: Poveržlė turi būti naudojama ant saugaus ir stabilaus paviršiaus stovint, vertikaliaje padėtyje. Prijunkite gaminį prie maitinimo ir vandens tiekimo, kaip aprašyta. Atidarykite vandens tiekimą. Laikykite purškimo pistoletą abiem rankomis. Nukreipkite pasirinkto akcesuaro antgalį nuo jūsų link valomo paviršiaus. Atkakinkite gaiduką ir paspauskite jį tol, kol per purkštuką teka pastovus vandens kiekis, kad žarnoje įstrigęs oras galėtų išstrūkti. Atleiskite gaiduką. Įjunkite jungiklį "IŠJUNGTA/IŠJUNGTA".

Laikykite purškimo pistoletą abiem rankomis. Nukreipkite vandens srovę į valomą objektą ir paspauskite gaiduką.

IŠPĖJIMAS: Saugokitės atsitraukimo paspausdami gaiduką!

Gamykloje iš anksto nustatytas slėgis užtikrina geriausią vandens slėgį ir valymo efektą. Jei slėgį reikia nuleisti žemyn, jį galima reguliuoti toliau nurodytais metodais:

Palapsniui laikykite paviršių, kurį reikia valyti toliau. Kuo toliau paviršius, tuo mažesnis slėgis.

VEIKIMAS SU PLOVIKLIU

Ploviklis gali būti pridėtas tik tada, kai prietaisas veikia žemo slėgio režimu.

PAVOJUS: Naudojant ploviklius, reikia peržiūrėti ploviklio gamintojo išduotą medžiagos duomenų saugos lapą, ypač instrukcijas dėl asmeninių apsaugos priemonių.

Nuimkite švaraus ploviklio buteliuko dangtelį. Švelniai ištraukite borto ploviklio baką iš laikymo vietos.

Užpildykite baką plovikliu, specialiai skirtu naudoti su slėginėmis plovyklomis.

REKOMENDUOJAMAS VALYMO BŪDAS

- Purškite ploviklį taupiai ant sauso paviršiaus ir leiskite jam reaguoti, bet ne išdžiūti.
- Purškite atlaisvintus nesvarumus su aukštu slėgiu Met.

PO OPERACIJOS SU PLOVIKLIU

Išimkite iš žarnos švaraus ploviklio buteliuką iš įsiorbimo angos ir uždarykite dangčiu, tada nuvalykite ploviklio įpurškimo sistemą švariu vandeniu. Norėdami atlikti visą ploviklio įpurškimo sistemos valymo darbą, tepkite ploviklio žarną ant švaraus vandens, kad padarytumėte purškiklius, kol likęs ploviklis bus išvalytas iš sistemos. Aukšto slėgio valiklio gamykla neatsako už ploviklio ar bet kokio cheminio veiksnio padarytą žalą.

VEIKIMAS SU PERTRAUKOMIS

- Atleiskite gaiduko pistoleto svirtį.
- Užfiksukite gaiduko pistoleto svirtį.
- Įdėkite gaiduko pistoletą su purškimo lancetu į stovėjimo padėtį.
- Per ilgesnes pertraukas (daugiau nei 5 minutes) prietaisą taip pat išjunkite naudodami jungiklį "JUNGTA/IŠJUNGTA".

IMTI

- Patikrinkite, ar įleidimo žarnoje nėra likučių ir užsikimšimų
- Prijunkite vandens tiekimą ir siurblio įleidimo angą su įleidimo žarna ir įsitinkinkite, kad žarna yra oro banga.
- Prijunkite aukšto slėgio žarną prie siurblio išleidimo angos.
- Įjunkite vandens tiekimą
- Užveskite elektros variklį įjungdami jungiklį "JUNGIMAS / IŠJUNGIMAS"
- Patraukite purškimo pistoleto gaiduką ir pradėkite purkšti
- Atleiskite gaiduką ir sustabdykite vandenį
- Sureguliuokite purškimo modelį keisdami antgalį.

SUSTOTI, SUSTOK

- Atleiskite gaiduko pistoleto svirtį.
- Išjunkite vandens tiekimą.
- Išjunkite prietaisą "ON/OFF".
- Atjunkite tinklo kištuką nuo lizdo.
- Paspauskite gaiduko pistoleto svirtį, kad atlaisvintumėte bet kokį likusį slėgį sistemoje.
- Atleiskite gaiduko pistoleto svirtį.
- Užfiksukite gaiduko pistoleto svirtį.

DĖMESYS

Atjungiant tiekimo ar aukšto slėgio žarną, po veikimo šiltas vanduo gali nutekėti iš jungties.

APSAUGA NUO UŽŠALIMO

ĮSPĖJIMAS

Prietaisai ir priedai, kurie nėra visiškai nusausinti, gali būti sunaikinti šalčiu. Visiškai nusausinkite prietaisą ir priedus, kad apsaugotumėte juos nuo šalčio.

Norėdami išvengti žalos:

- Atjunkite prietaisą nuo vandens tiekimo.
- Atjunkite purškimo lancetą nuo gaiduko pistoleto.
- Įjunkite prietaisą "JUNGTA / IŠJUNGTA".
- Stumkite gaiduko pistoleto svirtį, kol nebeišeis vanduo.
- Atleiskite gaiduko pistoleto svirtį.
- Užfiksukite gaiduko pistoleto svirtį.

- Išjunkite prietaisą "ON/OFF".
- Prietaisą ir visus priedus laikykite kambaryje be šalčio.

PRIEŽIŪRA IR VALYMAS

ĮSPĖJIMAS

ELEKTROS SMŪGIO RIZIKA

Prieš atlikdami visus darbus su prietaisu, išjunkite taikymą ir patraukite maitinimo kištuką. Prieš remontuojant ar prižiūrint, reikia palaukti, kol aukšta prietaiso paviršiaus temperatūra ir aukšto slėgio vanduo grįš į normalią temperatūrą ir slėgį, arba tai gali sukelti rimtų sužalojimų.

PAKEISKITE ALYVĄ SIURBLYJE

Tepalo alyvą reikia keisti per pirmąsias 50 darbo valandų ir vėliau kas 100 valandų.

- Laisvas alyvos drenažo kamštis (8.3 pav.).
- Pakreipkite priešingą alyvos drenažo pusę aukščiau, kad alyvos nutekėjimas būtų nukreiptas tiesiai į alyvos išleidimo indą.
- Nuimkite alyvos drenažo kamštį ir išleiskite alyvos atliekas.
- Visiškai ištuštinę alyvą, įdėkite alyvos drenažo kamštį atgal.
- Priveržkite alyvos drenažo kamštį ir užpildykite naują alyvą (SAE 5W-40), kol alyvos lygio indikatoriaus langas bus pusiau uždegtas nauja alyva (8.2 pav.).
- Uždėkite alyvos dangtelį atgal ir priveržkite jį (8.1 pav.).

AUKŠTO SLĖGIO ŽARNA

- Aukšto slėgio žarna yra specialiai pagaminta su sustiprintomis sienomis, kurias galima lengvai sugadinti, todėl ją reikia laikyti atsargiai.
- Nevaivaukite transporto priemonių per žarną.
- Nelaikykite žarnos aštriais kraštais ar kampais. Netinkamas naudojimas sukels balionų susidarymą ar priešlaikinį gedimą ir panaikins garantiją negaliojančia.

VANDENS FILTRO VALYMAS

Reguliariai valykite sietą vandens jungtyje. Nuimkite movą nuo vandens jungties ir nuplaukite šiltu vandeniu, kad pašalinės medžiagos neužkimštų siurblio. Nuvalykite purkštuką su numatyta adata, kad išvalytumėte franškį. Nuimkite purškimo lazdelę nuo pistoleto. Pašalinkite nešvarumus iš purkštuko angos ir nuplaukite.

DĖMESYS

Sietas neturi būti pažeistas. Ištraukite sietą naudodami plokščias reples. Nuvalykite sietą po tekančiu vandeniu. Vėl įdėkite sietą į vandens jungtį.

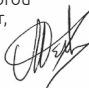

APLINKOK APSAUGA

Perdirbkite žaliavas, o ne šalinkite kaip atliekas. Mašina, priedai ir pakuočės turėtų būti rūšiuojami aplinkai - draugiškam perdirbimui. Plastikiniai

komponentai yra paženklinėti, kad juos būtų galima suskirstyti į kategorijas.

GARANTIJA

Šis produktas yra garantuotas pagal teisinius / konkrečios šalies reglamentus, kurie įsigalioja nuo tos dienos, kai jį įsigyja pirmasis vartotojas. Žalai, atsiradusiai dėl įprasto nusidėvėjimo, perkrovos ar netinkamo tvarkymo, garantija nebus taikoma. Pretenzijos atveju nusiųskite visiškai surinktą mašiną savo pardavėjui arba oficialiam aptarnavimo centrui.

EN	EU DECLARATION OF CONFORMITY		We declare under our sole responsibility that the listed products comply with all applicable provisions of the below directives and are also in conformity with the following standards. Production year and serial number are on the product. The relative technical file is at the below address.
	HIGH PRESSURE WASHER		
	MODEL	Article number	
FR	DÉCLARATION CE DE CONFORMITÉ		Nous déclarons sous notre propre responsabilité que les produits décrits sont conformes à toutes les dispositions applicables des directives ci-dessous et sont également conformes aux normes suivantes. L'année de production et le numéro de série figurent sur le produit. Le dossier technique correspondant est à l'adresse ci-dessous.
	NETTOYEUR HAUTE PRESSION		
	MODÈLE	Numéro de l'article	
IT	DICHIARAZIONE CE DI CONFORMITÀ		Dichiariamo sotto la nostra piena responsabilità che i prodotti indicati sono conformi a tutte le disposizioni applicabili delle seguenti direttive e sono inoltre conformi alle seguenti norme. Anno di produzione e numero di serie sono sul prodotto. La relativa scheda tecnica è al seguente indirizzo.
	IDROPULITRICE ALTA PRESSIONE		
	MODELLO	Codice prodotto	
EL	ΔΗΛΩΣΗ ΣΥΜΜΟΡΦΩΣΗΣ ΕΚ		Δηλώνουμε με αποκλειστική μας ευθύνη, ότι τα αναφερόμενα προϊόντα συμμορφώνονται με όλες τις σχετικές διατάξεις των κάτωθι οδηγιών και είναι επίσης σύμφωνα με τα ακόλουθα πρότυπα. Το έτος παραγωγής και ο σειριακός αριθμός αναγράφονται στο προϊόν. Ο τεχνικός φάκελος είναι στην παρακάτω διεύθυνση.
	ΠΛΥΣΤΙΚΟ ΜΗΧΑΝΗΜΑ ΥΨΗΛΗΣ ΠΙΕΣΗΣ		
	ΜΟΝΤΕΛΟ	Κωδικός προϊόντος	
SR	CE IZJAVA O USAGLAŠENOSTI		Na sopstvenu odgovornost izjavljujemo, da navedeni proizvodi poštju sve važeće odredbe dole navedenih direktiva i da su takođe u skladu sa sledećim standardima. Proizvodna godina i serijski broj su na proizvodu. Relativna tehnološka datoteka je na donje adrese.
	ČISTAČ VISOKOG PRITISKA		
	MODEL	Broj predmeta	
HR	EU IZJAVA O SUKLADNOSTI		Pod punom odgovornošću izjavljujemo da navedeni proizvodi u skladu sa svim primjenjivim odredbama dolje navedenih direktiva, a također su u skladu sa sljedećim standardima. Godina proizvodnje i serijski broj su na proizvodu. Relativna tehnička datoteka nalazi se na donjoj adresi.
	VISOKOTLAČNI UREDAJ ZA ČIŠĆENJE		
	MODEL	Broj artikla	
RO	DECLARAȚIE DE CONFORMITATE UE		Declarăm pe proprie răspundere că produsele menționate respectă toate prevederile aplicabile din directivele de mai jos și sunt, de asemenea, conforme cu următoarele standarde. Anul de producție și numărul de serie sunt pe produs. Fișierul tehnic relativ se află la adresa de mai jos.
	MAȘINĂ DE CURĂȚAT CU ÎNALTĂ PRESIUNE		
	MODEL	Număr articol	
HU	EU MEGFELELŐSÉGI NYILATKOZAT		Kijelentjük kizárólagos felelősségünkre, hogy a felsorolt termékek megfelelnek az alábbi irányelvek összes vonatkozó rendelkezésének, és megfelelnek a következő szabványoknak is. A gyártási év és a sorozatszám a terméken található. A relatív műszaki fájl az alábbi címen található.
	MAGASNYOMÁSÚ MOSÓ		
	MODELL	Cikk szám	
LT	ES ATITIKTIES DEKLARACIJA		Mes, prisimdamis visą atsakomybę, pareiškiame, kad išvardyti produktai atitinka visas taikomas toliau nurodytų direktyvų nuostatas ir taip pat atitinka šiuos standartus. Gamybos metai ir serijos numeris yra ant gaminio. Santykinis technologinis failas yra žemiau nurodytu adresu.
	AUKŠTO SLĖGIO ŠALTO VANDENS PLOVYKLA		
	MODELIS	Straipsnis Numeris	
	HPW 155I PRO	47 194	<p>2006/42/EC</p> <p>EN 60335-1:2012+A11:2014+A13:2017+A1:2019+A2:2019</p> <p>EN 60335-2-79:2012</p> <p>EN 62233:2008</p> <p>2014/30/EU</p> <p>EN 55014-1:2017+A11:2020</p> <p>EN 55014-2:2015</p> <p>EN IEC 61000-3-2:2019</p> <p>EN 61000-3-3:2013+A1:2019</p>
Aimilios G. Theodorou Electrical Engineer, Safety Officer  27/9/2022 FF GROUP TOOL INDUSTRIES, 19300 Aspropyrgos-Greece.		FF GROUP TOOL INDUSTRIES 9,5km Attiki Odos, Aspropyrgos 19300, Athens, Greece Tel. +30 210 55 98 400	



FF GROUP TOOL INDUSTRIES



9,5 Km Attiki Odos, Aspropyrgos

19300, Athens, Greece



+30 210 55 98 400



info@ffgroup-toolindustries.com



www.ffgroup-tools.com