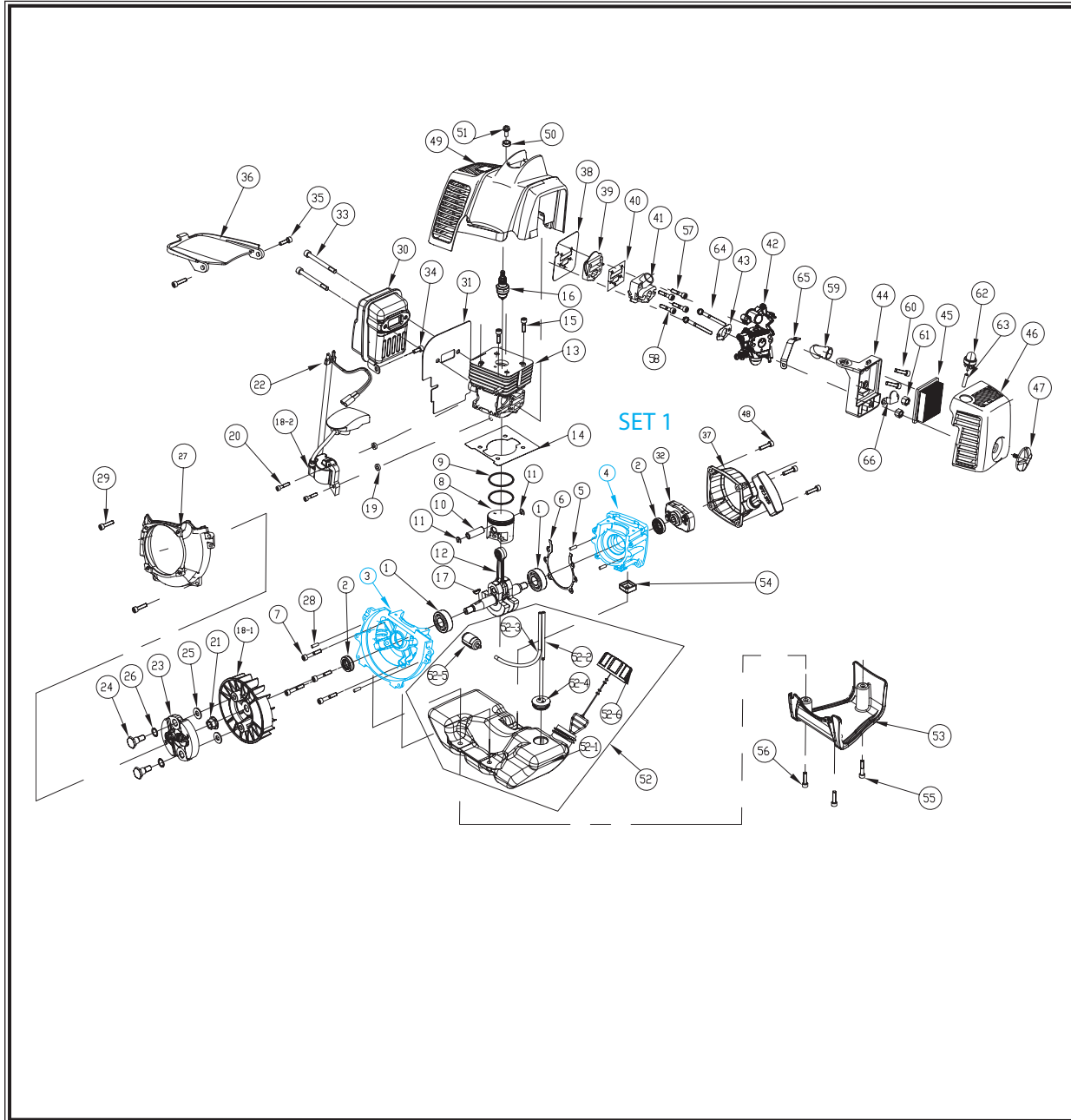
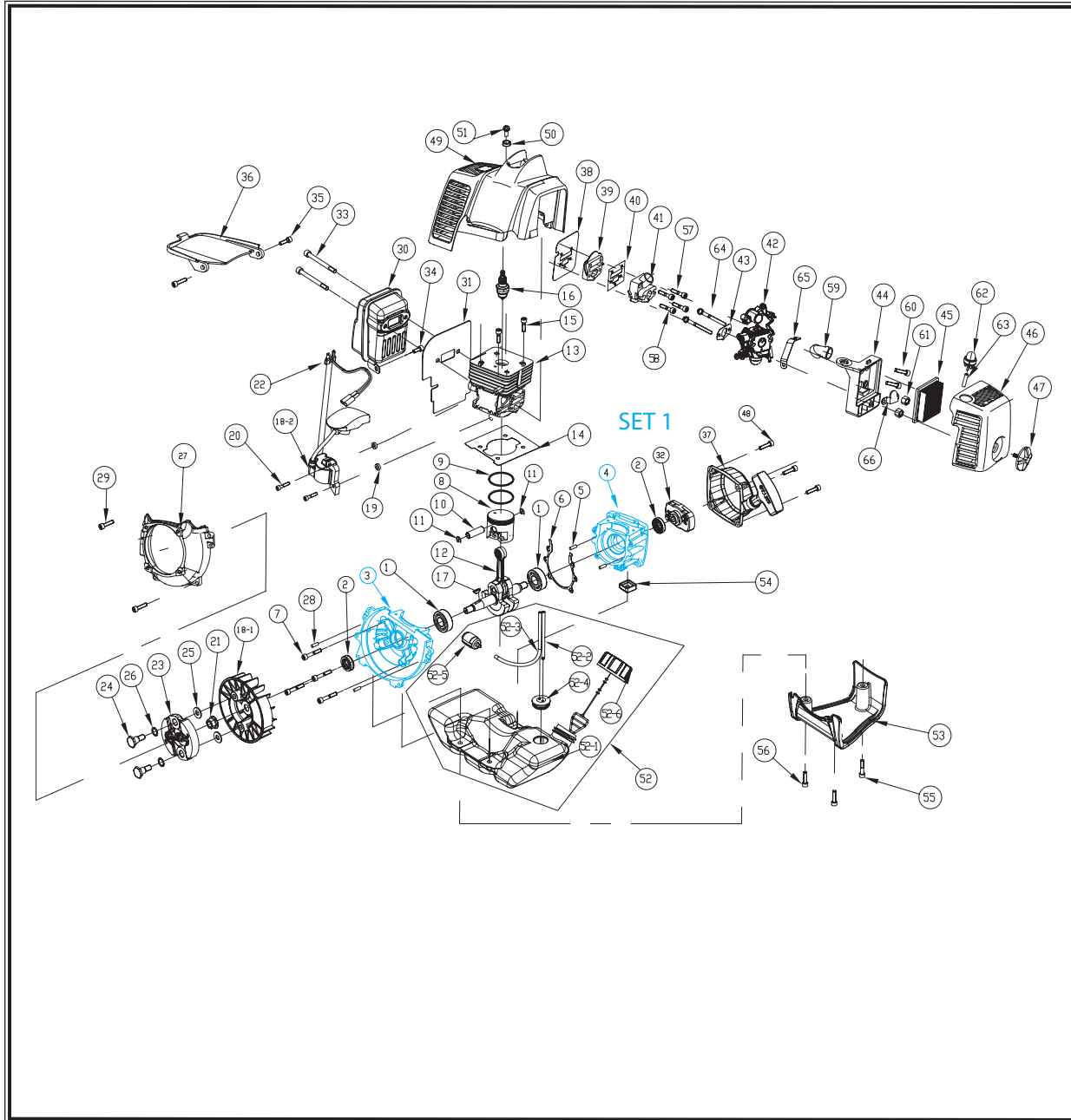


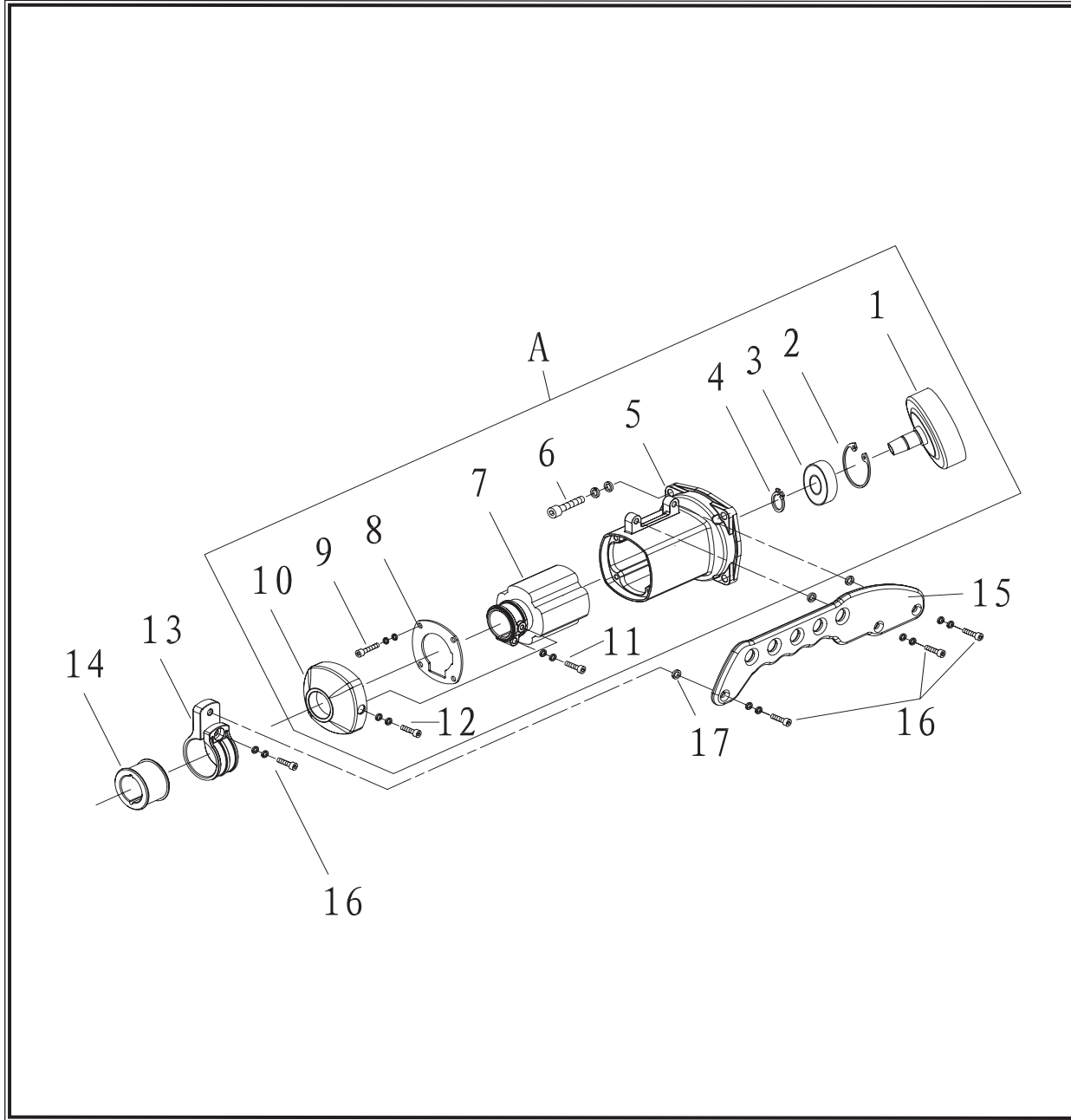
POS.	CODE	DESCRIPTION	QTY
1	A12612	BEARING 6202/P5	2
2	A12617	OIL SEAL	2
3+4	A12613	CRANK CASE	1
5	A12606	PIN	2
6	A12624	CRANK CASE GASKET	1
7	A05350	BOLT M5x30	4
8	A12590	PISTON	1
9	A12589	PISTON RING	2
10	A12608	PISTON PIN	1
11	A12582	PISTON PIN CIRCLIP	2
12	A12614	CRANK SHAFT	1
13	A12600	CYLINDER	1
14	A12622	CYLINDER GASKET	1
15	A05358	BOLT M5x18	4
16	A12605	SPARK PLUG	1
17	A05360	KEY	1
18-1	A12586	FLYWHEEL	1
18-2	A12592	IGNITION COIL	1
19	A05363	GASKET	2
20	A05288	SCREW M4x20	2
21	A05365	NUT M10	1
22	A12595	WIRE LEAD	1
23	A12615	CLUTCH	1
24	A12585	SCREW SHAFT	2
25	A12611	WASHER	2
26	A05370	WASHER	2
27	A12594	FLYWHEEL COVER	1
28	A12606	PIN	2
29	A05398	SCREW M5x20	4



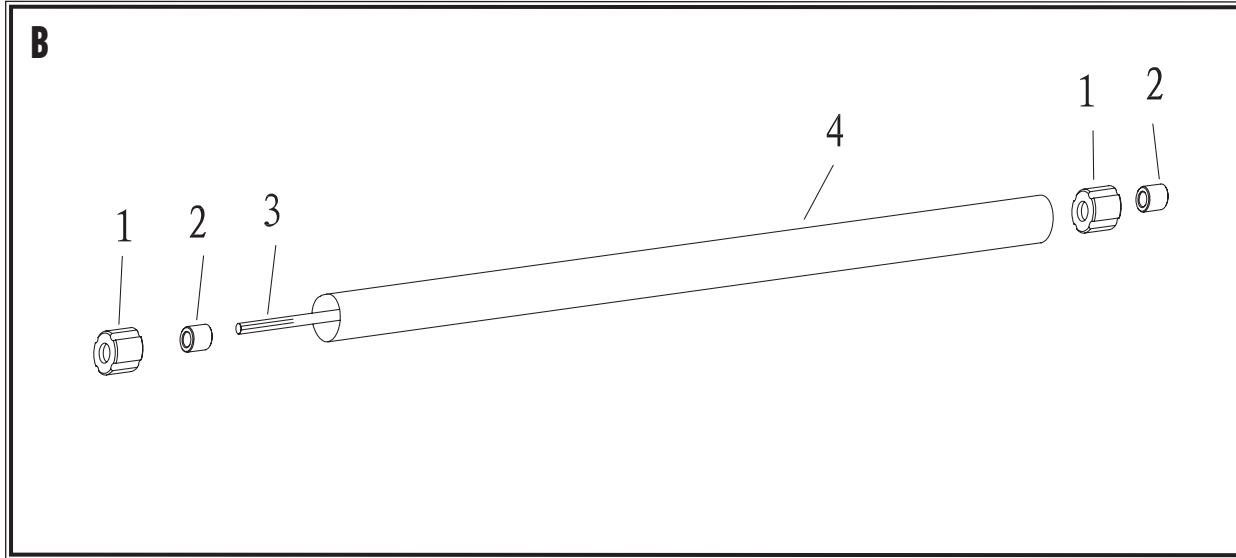
POS.	CODE	DESCRIPTION	QTY
30	A12591	MUFFLER	1
31	A12620	MUFFLER GASKET	1
32	A12616	STARTER REEL	1
33	A12583	SCREW	2
34	A05258	SCREW M5x12	1
35	A05380	SCREW M5x16	2
36	A12604	FUEL TANK THERMAL BAFFLE	1
37	A12625	STARTER	1
38	A12619	ADMITTING PIPE GASKET	1
39	A12599	ADMITTING PIPE GASKET	1
40	A12623	ADMITTING PIPE GASKET	1
41	A12601	ADMITTING PIPE	1
42	A12598	CARBURETOR	1
43	A12621	CARBURETOR GASKET	1
44	A12593	INSIDE AIR BOX	1
45	A05246	FILTER	1
46	A12597	OUTSIDE AIR BOX	1
47	A05395	BIG HEAD SCREW	1
48	A05398	SCREW M5x20	4
49	A12596	CYLINDER COVER	1
50	A05397	HEAT PROOF MAT	1
51	A05398	SCREW M5x18	1
52	A12587	FUEL TANK ASSEMBLY	1
52-2	A13229	FUEL TUBE 18cm	1
52-3	A13228	FUEL TUBE 24cm	1
52-4	A05325	FUEL TUBE PLUG	1
52-5	A12618	FUEL FILTER	1
52-6	A05405	FUEL TANK LID	1
53	A12610	SUPPORT	1



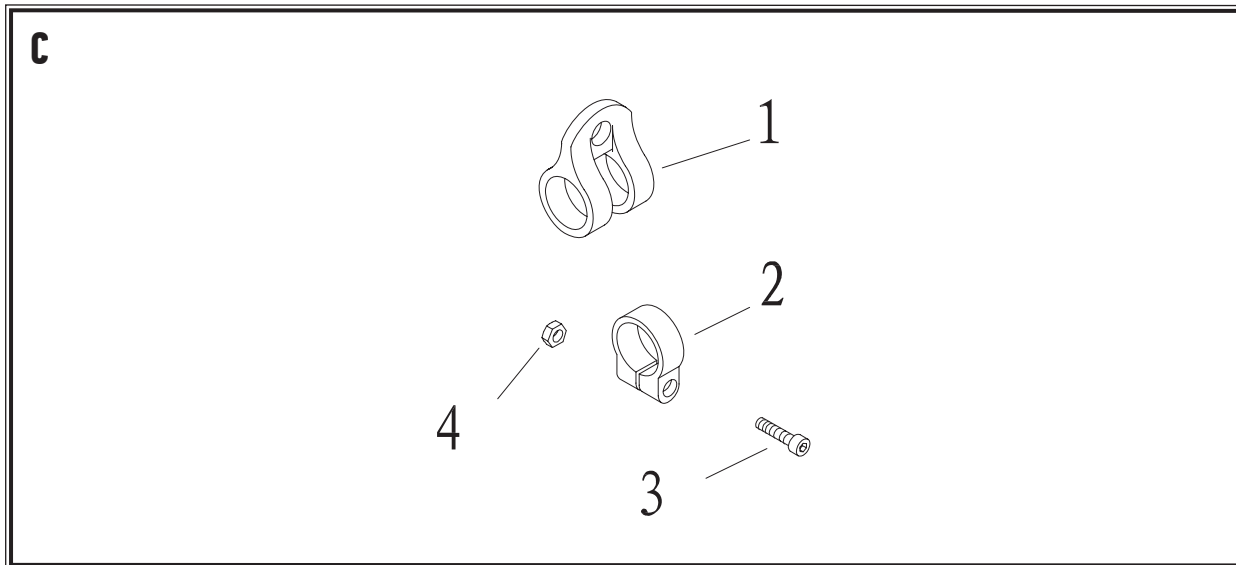
POS.	CODE	DESCRIPTION	QTY
54	A05408	FUEL TANK HEAT SHIELD	1
55	A05385	SCREW M5x25	1
56	A05398	SCREW M5x20	2
57	A05385	SCREW M5x25	2
58	A05350	SCREW M5x30	2
59	A12588	AIR INTAKE HOSE	1
60	A05486	SCREW M5x8	2
61	A05315	NUT	2
62	A12609	OIL CUP	1
63	A05324	FUEL TUBE	1
64	A12584	SCREW M5x55	2
65	A12603	BRACKET	1
66	A12602	BAFFLE	1



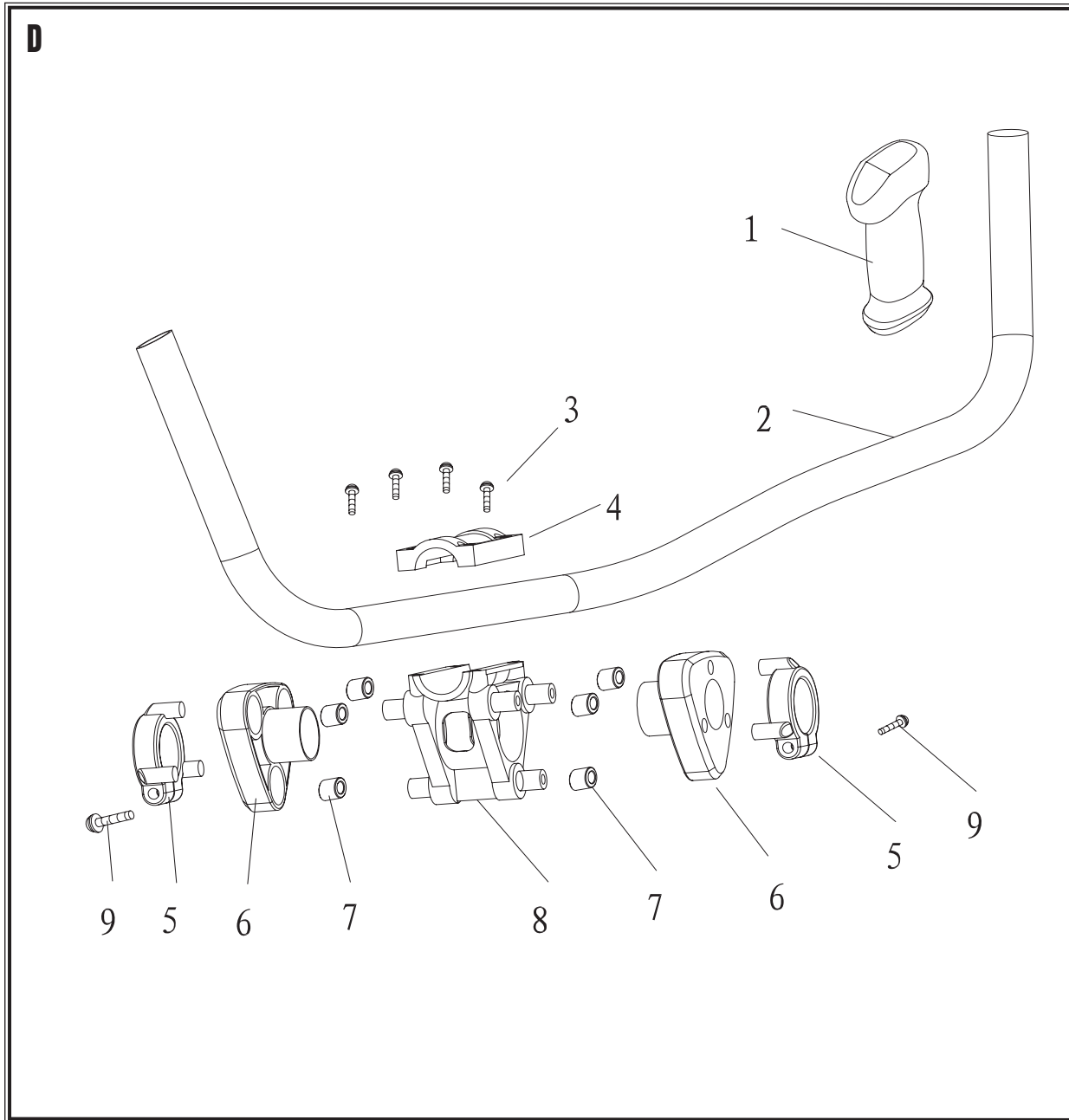
POS.	CODE	DESCRIPTION	QTY
A	A05412	CLUTCH COMPONENT	1
1	A05413	CLUTCH DRUM COMPONENT	1
2	A05414	STOP RING	1
3	A05415	BEARING 6203-2RS	1
4	A05416	STOP RING	1
5	A05417	CLUTCH CASE	1
6	A05418	SCREW M6X20	4
7	A05419	LINKER	1
8	A05420	WASHER	1
9	A05398	SCREW M5X20	4
10	A05422	COVER	1
11	A05385	SCREW M5X25	1
12	A05424	SCREW M5X14	1
13	A05425	HANG RING	1
14	A05426	DAMPING CUSHION	1
15	A05427	HANG HANDLE	1
16	A05378	SCREW M6X20	4
17	A05429	WASHER	3



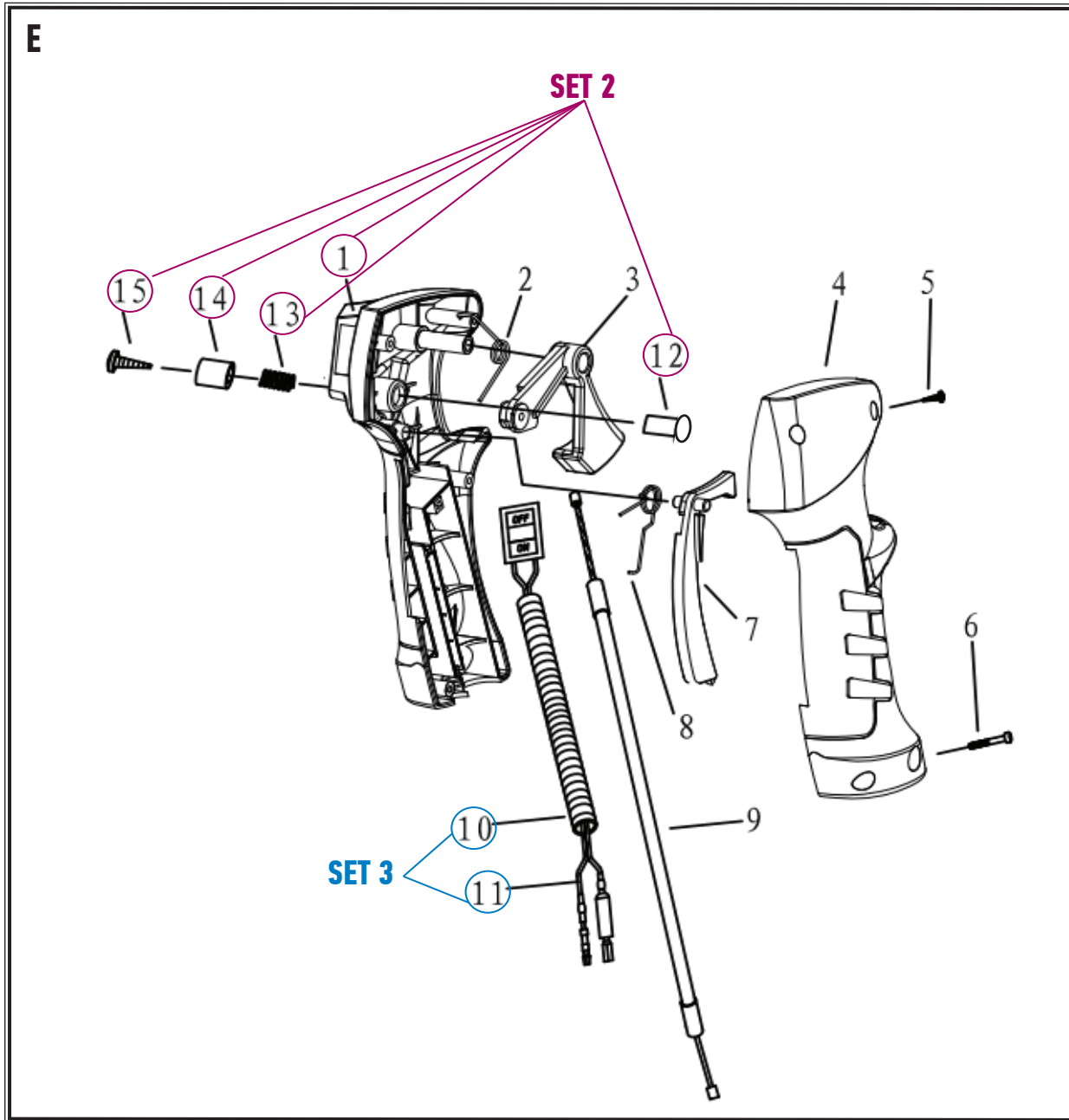
POS.	CODE	DESCRIPTION	QTY
B	A05430	PIPE COMPONENT	1
1	A05431	RUBBER COVER	6
2	A05432	OIL BEARING	6
3	A05433	DRIVE SHAFT	1
4	A05434	PIPE	1



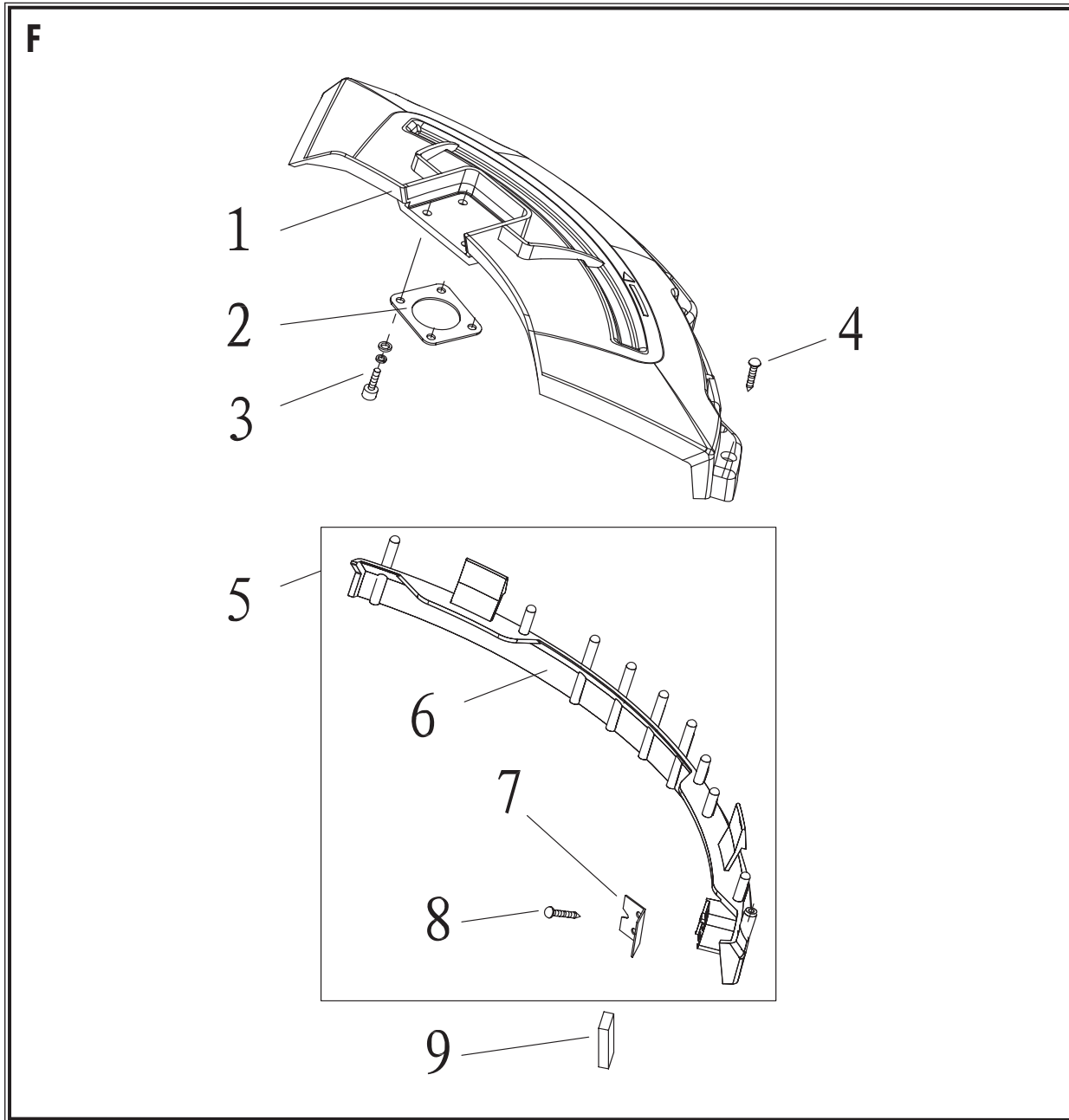
POS.	CODE	DESCRIPTION	QTY
C	A05435	HOLDER ASSEMBLY	1
1	A05436	HARNESS CLAMP	1
2	A05437	CLAMP	1
3	A05438	SCREW M5X20	1
4	A05439	NUT M5	1



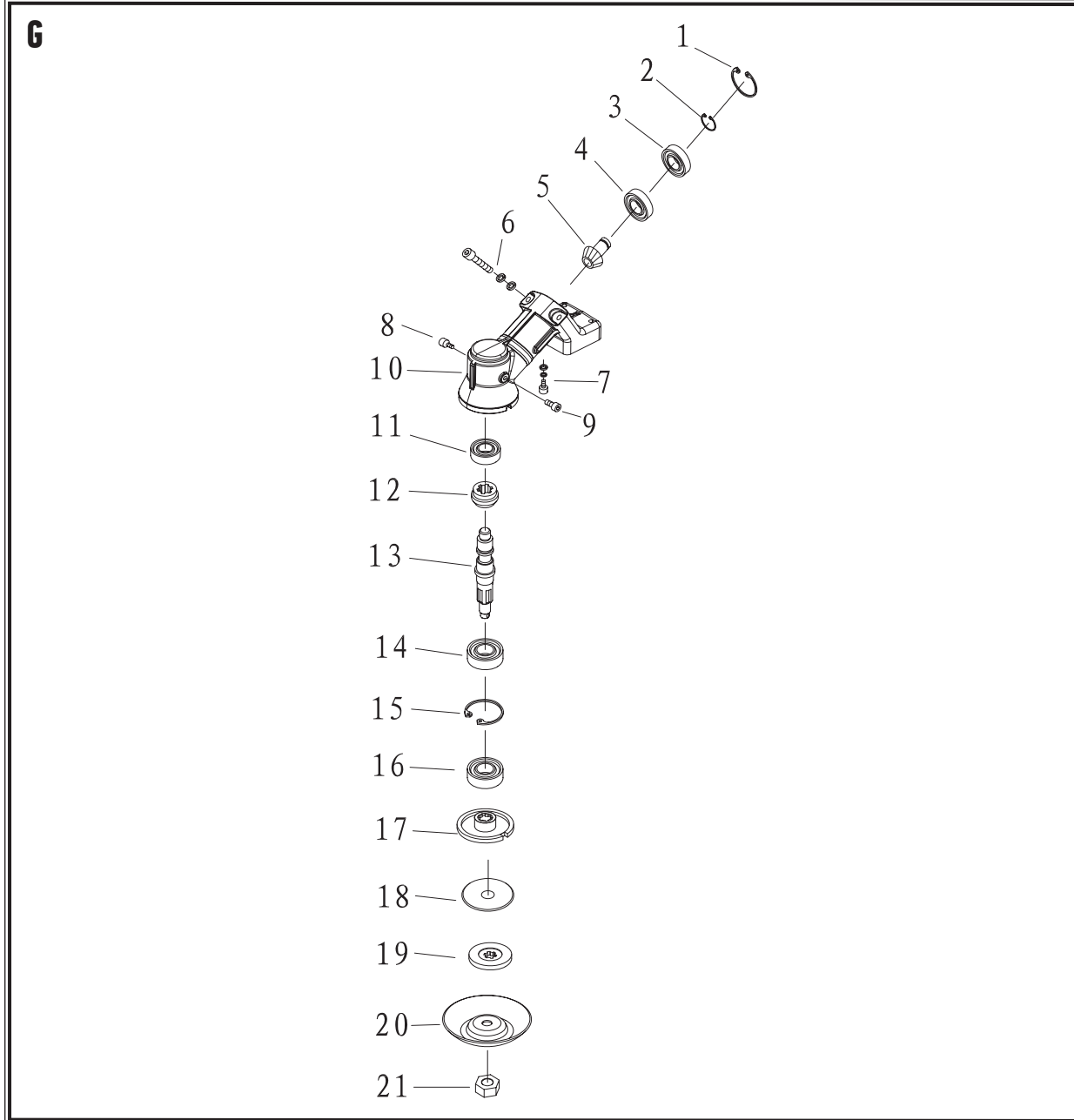
POS.	CODE	DESCRIPTION	QTY
1	A05440	RUBBER RINGER	1
2	A05441	HANDGRIP	1
3	A05442	SCREW M5X25	4
4	A05443	CAP, UPPER	1
5	A05444	CLAMP RING	2
6	A05445	LINKER	2
7	A05446	RUBBER	6
8	A05447	CAP, LOWER	1
9	A05385	SCREW M5X25	2



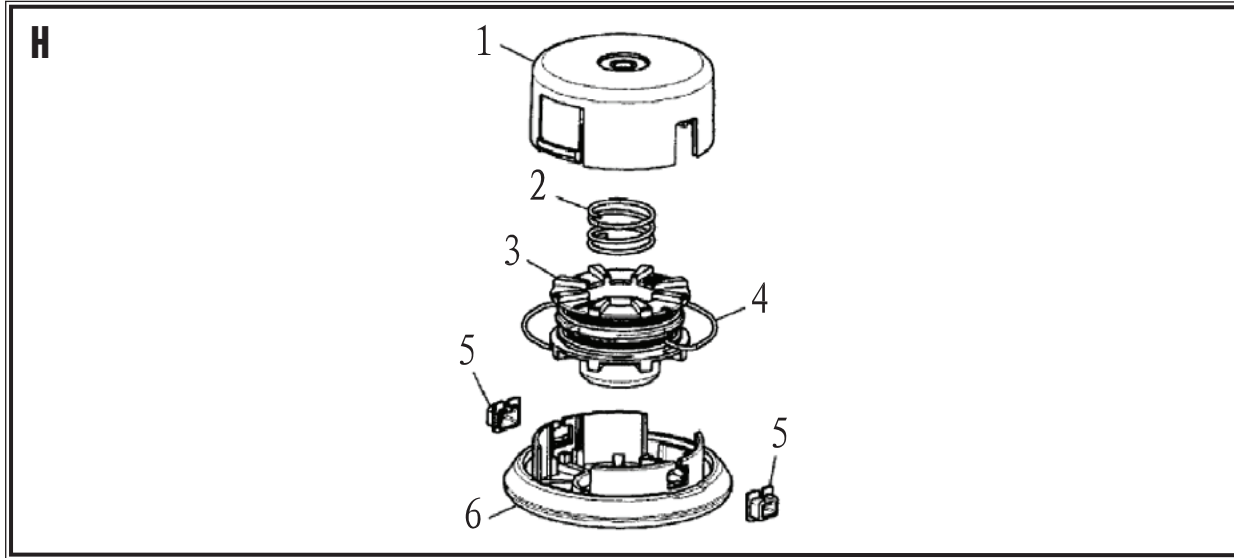
POS.	CODE	DESCRIPTION	QTY
E	A05449	LEVER ASSEMBLY	1
SET 2 (1, 12-15)	A05450	BOX, LEFT	1
2	A05451	SPRING	1
3	A05452	HAND GRIP	1
4	A05453	BOX, RIGHT	1
5	A05454	SCREW ST2.9X13	4
6	A05455	SCREW M5X35	1
7	A05456	HAND GRIP	1
8	A05457	SPRING	1
9	A05458	CABLE COMPONENT	1
SET 3 (10+11)	A05460	STOP BUTTON COMP. (with tube)	1
13	A05462	SPRING	1



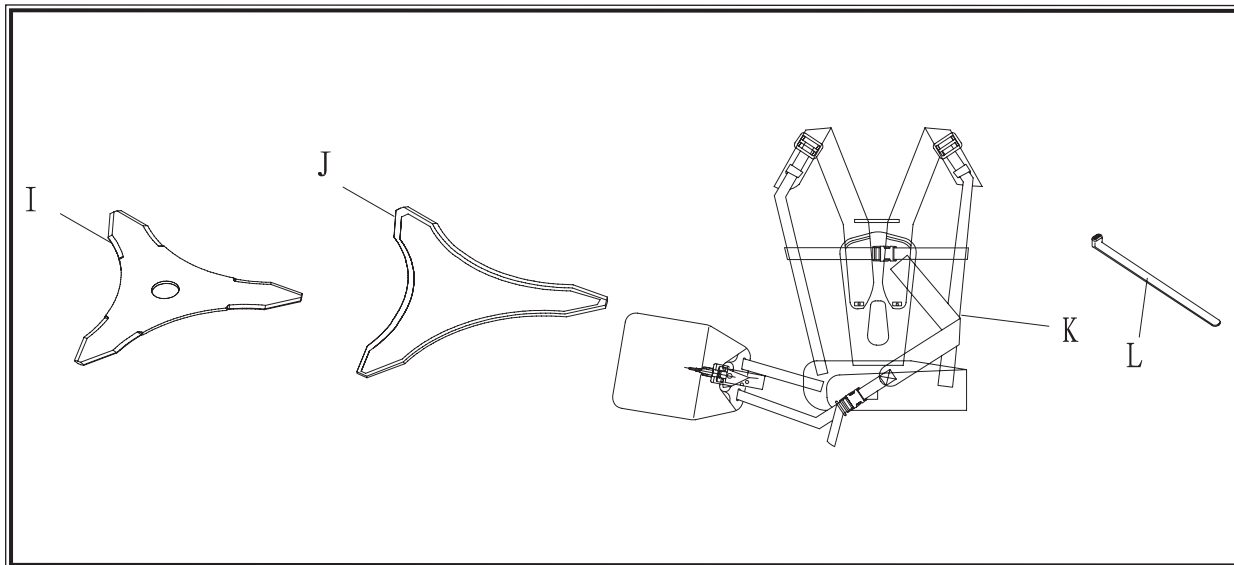
POS.	CODE	DESCRIPTION	QTY
F	A05465	SAFETY GUARD ASSEMBLY	1
1	A05466	SAFETY GUARD	1
2	A05467	WASHER	1
3	A05442	SCREW M5X25	4
4	A05476	SCREW ST4. 2X16	1
5	A05470	GUARD ASSEMBLY	1
6	A05474	GUARD	1
7	A05475	BLADE	1
8	A05476	SCREW ST4. 2X16	2
9	A05477	BLADE COVER	1



POS.	CODE	DESCRIPTION	QTY
G	A05478	GEAR CASE ASSEMBLY	1
1	A05479	STOP RING	1
2	A05480	STOP RING	1
3	A05481	BEARING 6001-2RS	1
4	A05482	BEARING 6001	1
5	A05483	PINION	1
6	A05484	SCREW M6X25	2
7	A05379	SCREW M5X12	1
8	A05486	SCREW M5X8	1
9	A05487	BOLT M6X8	1
10	A05488	GEAR CASE	1
11	A05489	BEARING 6000/P5	1
12	A05490	GEAR	1
13	A05491	GEAR SHAFT	1
14	A05492	BEARING 6202-2RS	1
15	A05493	STOP RING	1
16	A05494	OIL-SEAL	1
17	A05495	HOLDER A	1
18	A05496	WASHER	1
19	A05497	HOLDER B	1
20	A05498	COVER	1
21	A05499	NUT	1



POS.	CODE	DESCRIPTION	QTY
H	A05500	NYLON CUTTER HEAD	1
1	A05501	CASE	1
2	A05502	SPRING	1
3	A05503	CORD HOLDER	1
4		CORD 2.5X5000	1
5	A05504	CORD COVER	2
6	A05505	COVER	1



POS.	CODE	DESCRIPTION	QTY
I	A05506	BLADE	1
J	A05507	BLADE COVER	1
K	A05508	HARNESS ASSEMBLY	1
L	A05509	WIRE CLAMP BAND	1