

FF GROUP[®]



ELM 34/1400 PLUS

EN

ORIGINAL INSTRUCTIONS

FR

NOTICE ORIGINALE

IT

ISTRUZIONI ORIGINALI

EL

ΠΡΩΤΟΤΥΠΟ ΟΔΗΓΙΩΝ ΧΡΗΣΗΣ

SR

ORIGINALNO UPUTSTVO ZA RAD

HR

ORIGINALNE UPUTE ZA RAD

RO

INSTRUCȚIUNI DE FOLOSIRE ORIGINALE

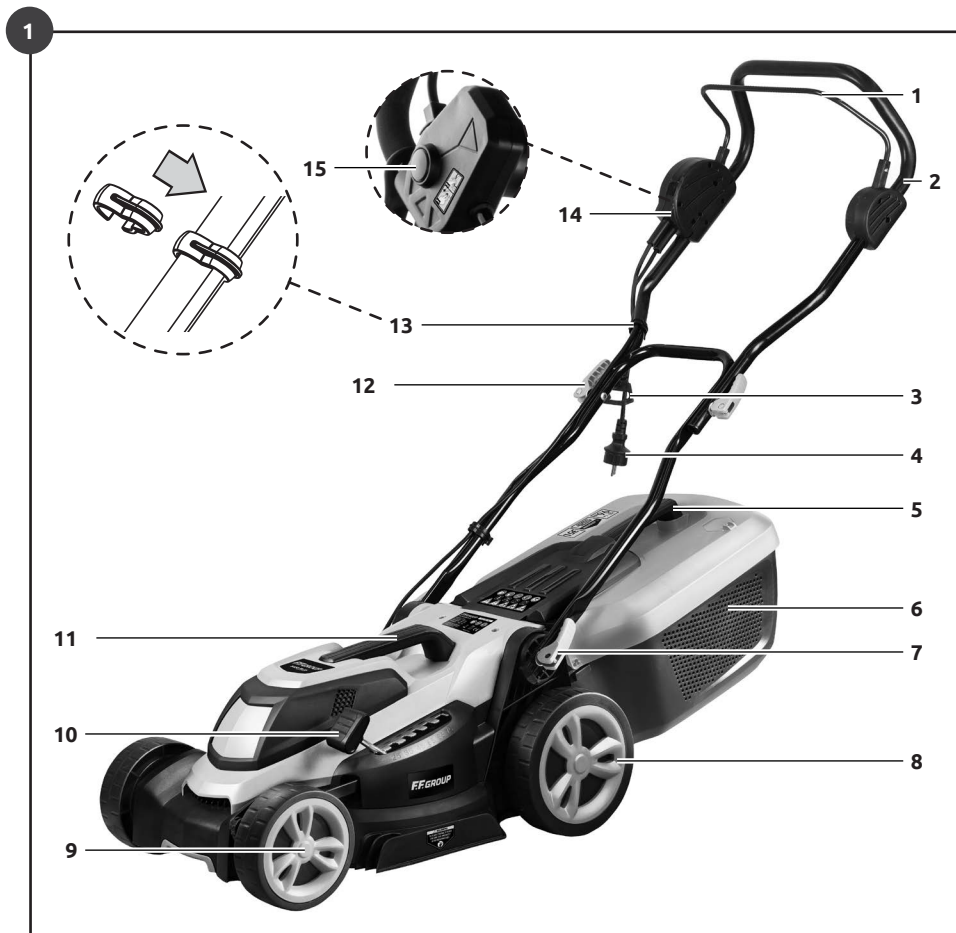
HU

EREDETI UTASÍTÁSOK

LT

ORIGINALIOS INSTRUKCIJOS

EXPLANATION OF SYMBOLS / ΕΕXPΛICATION DES SYMBOLES / SPIEGAZIONE DEI SIMBOLI / ΕΠΕΞΗΓΗΣΗ ΣΥΜΒΟΛΩΝ / OBJAŠNJE- NJE SIMBOLA / OBJAŠNENJE SIMBOLA / EXPLICAREA SIMBOLURILOR / SZIMBÓLUMOK JELENTÉSE / SIMBOLIŲ PAAIŠKINIMAS		6
EN	LAWN MOWER	10
FR	TONDEUSE	14
IT	TOSAERBA	19
EL	ΧΛΟΟΚΟΠΤΙΚΗ ΜΗΧΑΝΗ	24
SR	KOSAČICA ZA TRAVU	30
HR	KOSILICA ZA TRAVU	34
RO	MAŠINĂ DE TUNS IARBA	39
HU	FŰNYÍRÓ	44
LT	ELEKTRINĖ VEJAPJOVĖ STUMIAMA	48
CE		53



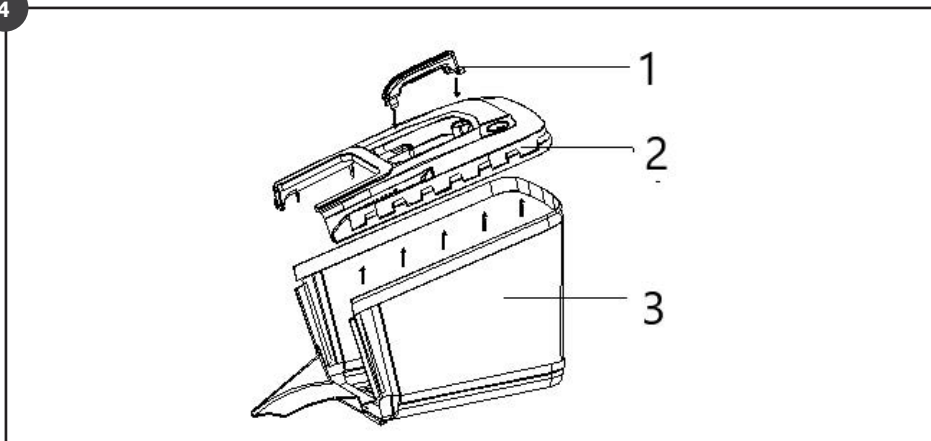
2



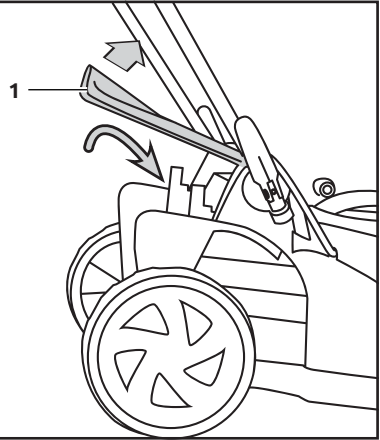
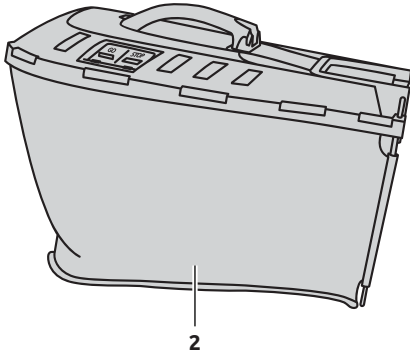
3



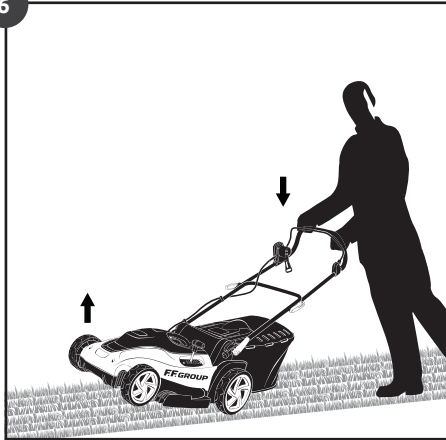
4



5



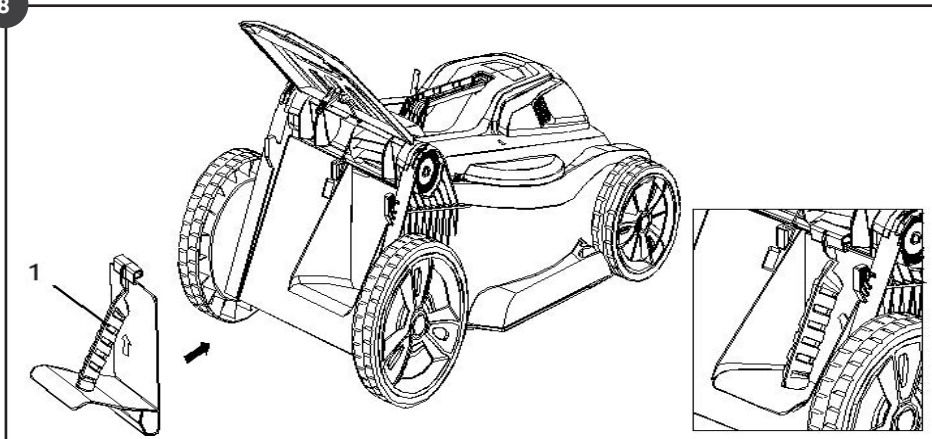
6

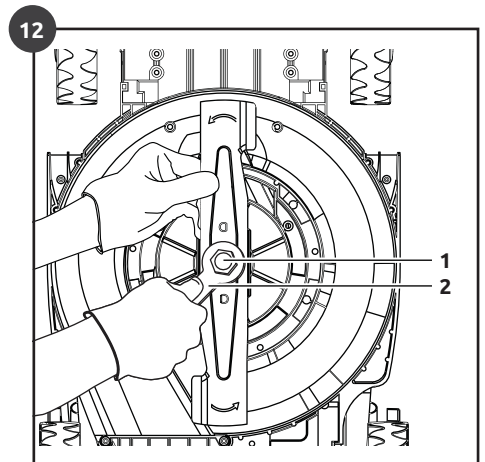
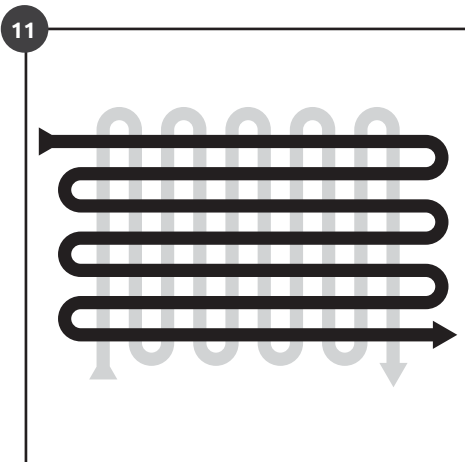
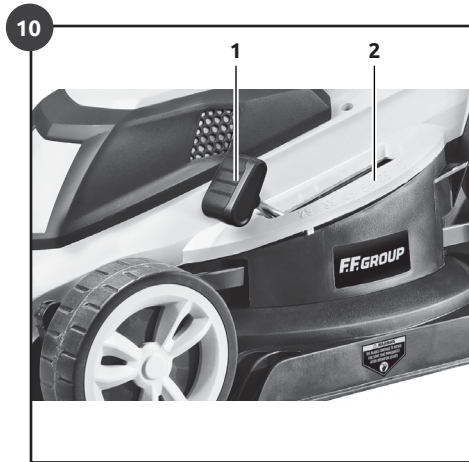










7











8





	ENGLISH	FRANÇAIS	ITALIANO	ΕΛΛΗΝΙΚΑ
	EXPLANATION OF SYMBOLS	EXPLICATION DES SYMBOLES	SPIEGAZIONE DEI SIMBOLI	ΕΠΕΞΗΓΗΣΗ ΣΥΜΒΟΛΩΝ
	Always read and understand the instructions before operating	Toujours lire et comprendre les instructions avant d'opérer	Leggere e comprendere sempre le istruzioni prima di operare	Διαβάστε και κατανοήστε τις οδηγίες χρήσης πάντα πριν από τη λειτουργία
	Always wear appropriate eye protection when operating	Portez toujours une protection oculaire appropriée lorsque vous utilisez	Indossare sempre un'adeguata protezione oculare quando si opera	Να χρησιμοποιείτε πάντα κατάλληλη προστασία ματιών κατά τη λειτουργία
	Always wear appropriate ear protection when operating	Portez toujours une protection de l'oreille appropriée lors de l'exploitation	Indossare sempre un'adeguata protezione dell'orecchio quando si opera	Να χρησιμοποιείτε πάντα κατάλληλη προστασία αυτιών κατά τη λειτουργία
	Always wear appropriate hand protection when operating	Portez toujours une protection appropriée pour les mains lors de l'exploitation	Indossare sempre la protezione della mano appropriata quando si opera	Να χρησιμοποιείτε πάντα κατάλληλη προστασία χεριών κατά τη λειτουργία
	Always wear appropriate feet protection when operating	Portez toujours une protection appropriée des pieds lors de l'exploitation	Indossare sempre la protezione appropriata dei piedi quando si opera	Να χρησιμοποιείτε πάντα κατάλληλη προστασία ποδιών κατά τη λειτουργία
	Always wear appropriate protective clothing when operating	Portez toujours des vêtements de protection appropriés lors de l'utilisation	Indossare sempre indumenti protettivi adeguati durante il funzionamento	Να χρησιμοποιείτε πάντα κατάλληλο ρουχισμό προστασίας κατά τη λειτουργία
	Do not keep or operate in wet environment	Ne pas conserver ou opérer dans un environnement humide	Non tenere o operare in un ambiente umido	Μη διατηρείτε ή λειτουργείτε σε υγρό περιβάλλον
	Risk of injury, due to thrown or ricochet objects	Risque de blessure en cas de projection ou de ricochet d'objets	Rischio di lesioni, a causa di oggetti lanciati o rimbalzati	Κίνδυνος τραυματισμού, λόγω αντικειμένων που εκτοξεύονται ή εξοστρακίζονται
	Risk of electric shock	Risque de choc électrique	Rischio di scosse elettriche	Κίνδυνος ηλεκτροπληξίας

SRPSKI	HRVATSKI	ROMÂNĂ	MAGYAR	LIETUVIŲ K.
OBJAŠNENJE SIMBOLA	OBJAŠNENJE SIMBOLA	EXPLICAREA SIMBOLURILOR	SZIMBÓLUMOK JELENÉSE	SIMBOLIŲ PAAIŠKINIMAS
Uvek pročitajte i razumajte uputstva pre rada	Uvijek pročitajte i shvatite upute prije operacije	Citiți și înțelegeți întotdeauna instrucțiunile înainte de a utiliza	Használat előtt mindig olvassa el és értsse meg az utasításokat	Prieš pradėdami dirbti, visada perskaitykite ir supraskite instrukcijas
Uvek nosite odgovarajuću zaštitu za oči kada radila	Uvijek nosite odgovarajuću zaštitu očiju kada djelujete	Purtați întotdeauna o protecție adecvată a ochilor atunci când acționați	Munka közben mindig viseljen megfelelő szemvédőt	Dirbdami visada dėvėkite tinkamas akių apsaugos priemonės
Uvek nosite odgovarajuću zaštitu za uši kada radila	Uvijek nosite odgovarajuću zaštitu za uši prilikom rada	Purtați întotdeauna o protecție adecvată a urechii în timpul funcționării	Működés közben mindig viseljen megfelelő fülvédőt	Dirbdami visada dėvėkite tinkamas ausų apsaugos priemonės
Uvek nosite odgovarajuću zaštitu ruku kada radila	Prilikom rada uvijek nosite odgovarajuću zaštitu ruku	Purtați întotdeauna o protecție adecvată a mâinii în timpul funcționării	Munka közben mindig viseljen megfelelő kézvédőt	Dirbdami visada dėvėkite tinkamą rankų apsaugą
Uvek nosite odgovarajuću zaštitu stopala kada radila	Uvijek nosite odgovarajuću zaštitu stopala prilikom rada	Purtați întotdeauna protecție adecvată pentru picioare atunci când	Munka közben mindig viseljen megfelelő lábvédőt	Dirbdami visada dėvėkite tinkamą pėdų apsaugą
Uvek nosite odgovarajuću zaštitnu odeću kada radila	Prilikom rada uvijek nosite odgovarajuću zaštitnu odjeću	Purtați întotdeauna îmbrăcăminte de protecție adecvată când lucrați	Munka közben mindig viseljen megfelelő védőruházatot	Dirbdami visada dėvėkite tinkamus apsauginius drabužius
Ne držite ili ne radite u vlažnom okruženju	Nemojte držati ili ne raditi u mokrom okruženju	Nu păstrați și nu acționați într-un mediu umed	Ne tárolja és ne működtesse nedves környezetben	Negalima laikyti ar veikti drėgnoje aplinkoje
Rizik od povreda, zbog bačenih ili rikošet predmeta	Opasnost od ozljeda, zbog bačenih ili rikošetnih predmeta	Risc de rănire, din cauza obiectelor aruncate sau ricoșate	Sérülésveszély kidobott vagy kidobott tárgyak miatt	Rizika susižeisti dėl išmestų ar rikošeto objektų
Rizik od električnog šoka	Rizik od strujnog udara	Risc de electrocutare	Áramütés veszélye	Elektros smūgio rizika

	ENGLISH	FRANÇAIS	ITALIANO	ΕΛΛΗΝΙΚΑ
	EXPLANATION OF SYMBOLS	EXPLICATION DES SYMBOLES	SPIEGAZIONE DEI SIMBOLI	ΕΠΕΞΗΓΗΣΗ ΣΥΜΒΟΛΩΝ
	Risk of damage. Keep people, animals or nearby property at least 15m away	Risque de dommages. Gardez les personnes, les animaux ou les propriétés à proximité à au moins 15 mètres	Rischio di danni. Tenere persone, animali o proprietà vicine ad almeno 15m di distanza	Κίνδυνος ζημιάς. Κρατήστε ανθρώπους, ζώα ή αντικείμενα αξίας τουλάχιστον 15m μακριά
	Inspect the power cord regularly for damage. Remove the plug from the mains immediately if the cable is damaged or cut	Vérifiez régulièrement que le cordon d'alimentation afin de vous assurer qu'il ne soit pas endommagé. Débranchez immédiatement la prise si le câble est endommagé ou coupé	Ispezionare regolarmente il cavo di alimentazione per eventuali danni. Rimuovere immediatamente la spina dall'alimentazione se il cavo è danneggiato o tagliato	Επιθεωρείτε συχνά το καλώδιο για φθορές. Αφαιρέστε το καλώδιο από την παροχή ρεύματος σε περίπτωση που έχει υποστεί σοβαρές φθορές ή έχει κοπεί
	Risk of injury, due to sharp blades	Risque de blessure dû aux lames tranchantes	Pericolo di lesioni a causa di lame affilate	Κίνδυνος τραυματισμού, λόγω κοφτερών λεπίδων
	Remove unit from electric supply before cleaning, adjusting or maintaining	Retirer l'unité de l'alimentation électrique avant de nettoyer, ajuster ou entretenir	Rimuovere l'unità dall'alimentazione elettrificata prima di pulire, regolare o mantenere	Αφαιρέστε τη μονάδα από την παροχή ηλεκτρικού ρεύματος πριν από τον καθαρισμό, τη ρύθμιση ή τη συντήρηση
	Wait until all rotating parts have completely stopped before touching them	Attendez que toutes les pièces en rotation soient complètement arrêtées avant de les toucher	Attendere che tutte le parti rotanti si siano completamente fermate prima di toccarle	Περιμένετε να ακινητοποιηθούν όλα τα περιστρεφόμενα μέρη πριν τα αγγίξετε
	Important, danger, warning, or caution	Important, danger ou avertissement	Importante, pericolo o avviso	Σημαντικό, κίνδυνος ή προειδοποίηση
	Double insulation	Double insulation	Doppio isolamento	Διπλή μόνωση
	Li-ion battery must be recycled or disposed of properly	La batterie Li-ion doit être recyclée ou éliminée correctement	La batteria Li-ion va riciclata o smaltita correttamente	Η μπαταρία ιόντων λιθίου πρέπει να ανακυκλώνεται ή να απορρίπτεται σωστά

SRPSKI	HRVATSKI	ROMÂNĂ	MAGYAR	LIETUVIŲ K.
OBJAŠNENJE SIMBOLA	OBJAŠNENJE SIMBOLA	EXPLICAREA SIMBOLURILOR	SZIMBÓLUMOK JELENÉSE	SIMBOLIŲ PAAIŠKINIMAS
Rizik od oštećenja. Držite ljude, životinje ili obližnju imovinu najmanje 15 metara dalje	Rizik od oštećenja. Držite ljude, životinje ili obližnje imanje na udaljenosti od najmanje 15m	Risc de deteriorare. Țineți oamenii, animalele sau bunurile din apropiere la cel puțin 15m distanță	Károsodás veszélye. Tartsa az embereket, állatokat vagy a közeli ingatlant legalább 15m távolságra	Žalos rizika. Laikykite žmones, gyvūnus ar netoliese esantį turtą bent už 15 m atstumu
Redovno pregledavajte kabl za napajanje na oštećenje. Odmah izvadite utikač iz utičnice ako je kabl oštećen ili prerezan	Redovito provjeravajte je li kabl za napajanje oštećen. Odmah izvucite utikač iz napajanja ako je kabl oštećen ili prerezan	Inspectați în mod regulat cablul de alimentare să nu prezinte deteriorări. Scoateți imediat ștecherul din priză de rețea, în cazul în care cablul este deteriorat sau tăiat	Rendszeresen ellenőrizze a tápkábelt, hogy nem sérült-e. Azonnal húzza ki a dugót a konnektorból, ha a kábel megsérül vagy elvágódott	Reguliariai tikrinkite maitinimo laidą, ar nėra pažeidimų. Nedelsdami nuimkite kištuką nuo elektros tinklo, jei kabelis pažeistas arba supjaustytas
Rizik od povreda, zbog oštih sečiva	Opasnost od ozljeda, zbog oštih oštrica	Risc de rănire, din cauza lamelor ascuțite	Sérülésveszély az éles pengék miatt	Sužalojimo pavojus dėl aštrių ašmenų
Uklanjanje jedinice iz električnog snabdevanja pre čišćenja, prilagodavanja ili održavanja	Uklonite jedinicu iz električnog napajanja prije čišćenja, podešavanja ili održavanja	Scoateți unitatea de alimentare electrică înainte de curățare, reglare sau întreținere	Tisztítás, beállítás vagy karbantartás előtt távolítsa el az egységet az elektromos hálózatról	Prieš valydami, reguliuodami ar prižiūrėdami, išimkite įrenginį iš elektros tiekimo
Sačekajte dok svi rotirajući delovi potpuno ne prestanu pre nego što ih dodirnete	Pričekajte da se svi rotirajući dijelovi potpuno zaustave prije nego što ih dodirnete	Așteptați până când toate părțile rotative s-au oprit complet înainte de a le atinge	Várja meg, amíg az összes forgó alkatrész teljesen leáll, mielőtt megérinti őket	Palaukite, kol visos besisukančios dalys visiškai sustos, prieš paliesdami jas
Važno, opasnost ili upozorenje	Važno, opasnost ili upozorenje	Important, pericol sau avertisment	Fontos, veszély, figyelmeztetés vagy óvatosság	Svarbu, pavojus, įspėjimas ar atsargumas
Dvostruka izolacija	Dvostruka izolacija	Izolație dublă	Dupla szigetelés	Dviguba izoliacija
Litijum-jonska baterija mora da se reciklira ili pravilno odložiti	Litij ionska baterija mora se reciklirati ili pravilno zbrinuti	Bateria li-ion trebuie reciclată sau aruncată în mod adecvat	A Li-ion akkumulátort újra kell hasznosítani, vagy megfelelően ártalmatlanítani kell	Ličio jonų baterija turi būti perdirbta arba tinkamai išmesta

ENGLISH

GENERAL SAFETY WARNINGS

Read all safety warnings and all instructions. Failure to follow the warnings and instructions may result in electric shock, fire and/or serious injury. Save all warnings and instructions for future reference. The term "power tool" in the warnings refers to your mains-operated (corded) power tool or battery-operated (cordless) power tool.

WORK AREA

Keep work area clean and well lit. Cluttered or dark areas invite accidents.

Do not operate power tools in explosive atmospheres, such as in the presence of flammable liquids, gases or dust. Power tools create sparks which may ignite the dust or fumes.

Keep children and bystanders away while operating a power tool. Distractions can cause you to lose control.

ELECTRICAL SAFETY

Power tool plugs must match the outlet. Never modify the plug in any way. Do not use any adapter plugs with earthed (grounded) power tools. Unmodified plugs and matching outlets will reduce risk of electric shock.

Avoid body contact with earthed or grounded surfaces, such as pipes, radiators, ranges and refrigerators. There is an increased risk of electric shock if your body is earthed or grounded.

Do not expose power tools to rain or wet conditions. Water entering a power tool will increase the risk of electric shock.

Do not abuse the cord. Never use the cord for carrying, pulling or unplugging the power tool. Keep cord away from heat, oil, sharp edges and moving parts. Damaged or entangled cords increase the risk of electric shock.

When operating a power tool outdoors, use an extension cord suitable for outdoor use. Use of a cord suitable for outdoor use reduces the risk of electric shock.

If operating a power tool in a damp location is unavoidable, use a residual current device (RCD) protected supply. Use of an RCD reduces the risk of electric shock.

PERSONAL SAFETY

Power tool plugs must match the outlet. Never modify the plug in any way. Do not use any adapter plugs with earthed (grounded) power tools. Unmodified plugs and matching outlets will reduce risk of electric shock.

Avoid body contact with earthed or grounded surfaces, such as pipes, radiators, ranges and refrigerators. There is an increased risk of electric shock if your body is earthed or grounded.

Do not expose power tools to rain or wet conditions. Water entering a power tool will increase the risk of electric shock.

Do not abuse the cord. Never use the cord for car-

rying, pulling or unplugging the power tool. Keep cord away from heat, oil, sharp edges and moving parts. Damaged or entangled cords increase the risk of electric shock.

When operating a power tool outdoors, use an extension cord suitable for outdoor use. Use of a cord suitable for outdoor use reduces the risk of electric shock.

If operating a power tool in a damp location is unavoidable, use a residual current device (RCD) protected supply. Use of an RCD reduces the risk of electric shock.

POWER TOOL USE AND CARE

Do not force the power tool. Use the correct power tool for your application. The correct power tool will do the job better and safer at the rate for which it was designed.

Do not use the power tool if the switch does not turn it on and off. Any power tool that cannot be controlled with the switch is dangerous and must be repaired.

Disconnect the plug from the power source and/or the battery pack from the power tool before making any adjustments, changing accessories, or storing power tools. Such preventive safety measures reduce the risk of starting the power tool accidentally.

Store idle power tools out of the reach of children and do not allow persons unfamiliar with the power tool or these instructions to operate the power tool. Power tools are dangerous in the hands of untrained users.

Maintain power tools. Check for misalignment or binding of moving parts, breakage of parts and any other condition that may affect the power tool's operation. If damaged, have the power tool repaired before use. Many accidents are caused by poorly maintained power tools.

Keep cutting tools sharp and clean. Properly maintained cutting tools with sharp cutting edges are less likely to bind and are easier to control.

Use the power tool, accessories and tool bits etc. in accordance with these instructions, taking into account the working conditions and the work to be performed. Use of the power tool for operations different from those intended could result in a hazardous situation.

SERVICE

Have your power tool serviced by a qualified repair person using only identical replacement parts. This will ensure that the safety of the power tool is maintained.

LAWN MOWER SAFETY WARNINGS

Never allow children or people unfamiliar with these instructions to use the machine. Local regulations may restrict the age of the operator. When not in use store the machine out of reach of children.

This machine is not intended for use by persons (including children) with reduced physical, sensory or mental capabilities, or lack of experience and knowledge, unless they have been given supervi-

sion or instruction concerning use of the machine by a person responsible for their safety. Children should be supervised to ensure that they do not play with the machine.

Never mow while people, especially children, or pets are nearby.

The operator or user is responsible for accidents or hazards occurring to other people or their property.

Do not operate the machine when barefoot or wearing open sandals, always wear substantial footwear and long trousers.

Thoroughly inspect the area where the machine is to be used and remove all stones, sticks, wires, bones and other foreign objects.

Before using, always visually inspect to see that the blades, blade bolts and cutter assembly are not worn or damaged. Replace worn or damaged blades and bolts in sets to preserve balance.

Mow only in daylight or in good artificial light.

Avoid mowing in bad weather conditions especially when there is a risk of lightning.

Avoid operating the machine in wet grass, where feasible.

Walk, never run.

Never operate the appliance with defective guards or shields, or without safety devices, for example deflectors and/or grass catchers in place.

Always wear ear protection.

Working on banks can be dangerous.

- ▶ Do not mow on excessively steep slopes.
- ▶ Always be sure of your footing on slopes or wet grass.
- ▶ Mow across the face of slopes - never up and down.
- ▶ Exercise extreme caution when changing direction on slopes.

Use extreme caution when stepping back or pulling the machine towards you.

Never mow by pulling the mower towards you.

Stop the blades if the machine has to be tilted for transportation when crossing surfaces other than grass and when transporting the machine to and from the area to be mowed.

Do not tilt the machine when starting or switching on the motor, except if the machine has to be tilted for starting in long grass. In this case, do not tilt it more than absolutely necessary and tilt only the part which is away from the operator. Always ensure that both hands are in the operating position before returning the machine to the ground. Switch on the motor according to the instructions with feet well away from rotating parts.

Do not put hands or feet near or under rotating parts.

Always stand clear of the discharge zone when operating the machine.

Never pick up or carry the machine while the motor is running.

Do not modify this product. Unauthorized modifications may impair the safety of your product and may result in increased noise and vibration.

Regularly inspect the supply cable and any extension cables. Do not connect damaged cables to

the supply or touch a damaged cable before it is disconnected from the supply. A damaged cable can lead to contact with live parts. Beware electric shock hazard.

REMOVE THE PLUG FROM THE SOCKET

Whenever you leave the machine.

Before clearing a blockage.

Before checking, cleaning or working on the machine.

After striking a foreign object. Inspect the machine for damage and make repairs as necessary. If the machine starts to vibrate abnormally (check immediately).

CONNECTION TO THE POWER SUPPLY

Make sure the power supply information on the machine's rating plate are compatible with the power supply you intend to connect it to.

This appliance is Class II and is designed for connection to a power supply matching that detailed on the rating label and compatible with the plug fitted. If an extension lead is required, use an approved and compatible lead rated for this appliance. Follow all the instruction supplied with the extension lead.

GUIDELINES FOR USING EXTENSION CORDS

Make sure your extension cord is in good condition. When using an extension cord, be sure to use one heavy enough to carry the current your product will draw. An undersized cord will cause a drop in line voltage resulting in loss of power and overheating.

Always replace a damaged extension cord or have it repaired by a qualified person before using it. Protect your extension cords from sharp objects, excessive heat and damp/wet areas.

Use a separate electrical circuit for your tools. This circuit should be protected with the appropriate time-delayed fuse. Before connecting the motor to the power line, make sure the switch is in the OFF position and the electric voltage is rated the same as the voltage stamped on the motor nameplate. Running at a lower voltage will damage the motor.

PRODUCT SPECIFICATIONS

INTENDED USE

This lawn mower is intended for private residential use to cut grass in small lawns and gardens. Do not use this lawn mower for any application other than that for which it is intended.

TECHNICAL DATA		
Article Number	46 520	
Model	ELM 34/1400 PLUS	
Rated voltage	V	230-240
Rated frequency	Hz	50
Propulsion system	Push	
Cutting width	cm	34
Cutting height range	mm	25-75 (6 positions)
Mulching plug	Yes	
Rated power	W	1.400
Grass bag capacity	L	35
Front wheel diameter	mm	150
Rear wheel diameter	mm	200
Cable length	cm	35
Vibration level (ah)	m/s ²	4,5
Uncertainty (K)	m/s ²	1,5
Sound power level (LwA)	dB(A)	94
Guaranteed sound power level (LwA)	dB(A)	95,9
Uncertainty (K)	dB	1,85
Net Weight	kg	13

IDENTIFICATION (Fig. 1)

1. ON/OFF switch lever
2. Upper handle
3. Extension cord restraint hook
4. Appliance cord
5. Grass collector handle
6. Grass collector
7. Lower quick release lever
8. Rear wheel
9. Front wheel
10. Height adjustment lever
11. Lower handle
12. Upper quick release lever
13. Cable clip
14. Switch box
15. Safety button

ASSEMBLY

HANDLE ASSEMBLY

1. On each side of the lawn mower, place the

adapter in position on handle frame, place the lower handle on the adapter's groove and tighten securely using the bolt, the washer and the quick release lever (Fig. 2).

2. Place the upper handle in position and tighten securely using the bolt, washer and quick release lever (Fig. 3).

NOTE

Where applicable, make sure to place the extension cord restraint hook (Fig. 1.3) in position on the upper handle before step "2".

GRASS COLLECTOR ASSEMBLY AND FITTING

The grass collector (Fig. 1.6) prevents grass clippings being thrown across your lawn as you mow.

1. Insert the grass collector handle (Fig. 4.1) into the holes on the top of grass collector (Fig. 4.2) until it clicks in position.
2. Align the upper and lower grass collector sections and join. Ensure the clips are located correctly and securely.

NOTE

For models with plastic lower part, join beforehand the left and right side together in one piece (Fig. 4.3).

3. Lift the collector flap with one hand. With the other hand hold the grass collector by the handle and hook it in from above (Fig. 5).

OPERATION

WARNING

Before connecting to the mains supply, always check the switch is in the off position!

EXTENSION CORD RESTRAINT

We recommend using your mower as outlined in this section to achieve optimum results and to reduce the risk of cutting the mains cable. Place the bulk of the mains cable on the lawn, close to the starting point. Feed the cable through the cable restraint (Fig. 1.3).

ADJUSTING THE CUTTING HEIGHT

This electric lawn mower is equipped with a 6-position height adjustment system to tailor grass cutting heights of 25 to 75mm. To obtain your desired cutting height, the front and rear axles are repositioned on the underside of the lawnmower body. Adjust using the height adjuster handle (Fig. 1.10) to the desired height.

STARTING THE MOTOR

1. Plug the machine into the electric supply, ensuring it meets the recommended requirements. Electrical power should be supplied via a residual current device (RCD) with a tripping current of not more than 30 mA.
2. Before starting the lawn mower, hold the handle assembly with both hands and tilt the handle downward to slightly raise the front of the lawn mower (Fig. 6). This will reduce the risk of lawn damage during start-up.
3. Press and hold the safety button (Fig. 1.15) of

the switch assembly while pulling the on/off switch lever (Fig. 1.1) towards you. Once the machine powers on, release the safety lock button.

- Let the motor get up to speed, gently lowering the lawn mower down into the cutting position and start mowing (Fig. 7).

MULCHING PLUG

The mulching plug is to be used when mulching and never in combination with bag collection. Remove the grass bag when using the mulching plug. To install the mulching plug, lift the rear discharge and slide in position (Fig. 8).

STOPPING THE MOTOR

To stop the mower, release the on/off switch lever and it automatically returns to its off position.

GRASS COLLECTION BAG VOLUME INDICATOR

- If the grass collection bag is empty or is not completely full with grass, the grass indicator flap will remain open (due to the flow of air) or will flutter open and close as the grass accumulates in the bag.
- If the grass collection bag is empty or is not completely full with grass, the grass indicator flap will remain open (due to the flow of air) or will flutter open and close as the grass accumulates in the bag. When the grass bag reaches its maximum capacity, the grass indicator flap will remain closed (due to the restricted air flow). This signals that it is time to empty the bag.

MOWING TIPS (Fig. 11)

For best results cut your lawn in alternative directions switching direction each time you cut. Cut your lawn at an equal and same height. Slightly overlap your cutting lines.

MAINTENANCE

WARNING

Before cleaning, repairing, or inspecting the lawn mower, disconnect the power supply to the unit and verify that all moving parts have come to a complete stop.

GENERAL

Always keep the lawn mower clean and free of grass, dirt, or other debris.

Keep the handles dry, clean, and free of oil and grease.

After each cutting session, remove accumulated grass clippings and debris using either a dry cloth or hand brush. You may also clean the equipment with a damp cloth. Do not use cleaning agents or harsh solvents as they may damage the equipment's plastic components. Make sure that no water penetrates the equipment's interior as intake of water can destroy the switch/plug mechanism and the electric motor.

Do not clean the lawn mower with running water, particularly with high-pressure water.

Check all nuts, bolts, and screws for proper tight-

ness before each use.

Frequently inspect the grass collection bag for signs of wear and replace immediately with a genuine part if damage is found.

Replace excessively worn or damaged parts immediately.

LUBRICATION

All of the bearings in this product are lubricated with a sufficient amount of high grade lubricants for the life of the unit under normal operation conditions. Therefore, no further lubrication of the bearings is needed.

At the beginning and end of each mowing season

- ▶ Lubricate the springs on the rear discharger door with light oil.
- ▶ Remove the blade and the blade rotor assembly and lubricate the motor shaft with light oil or engine oil. See Blade Replacement section for instructions.

BLADE MAINTENANCE

IMPORTANT

The mower blade is sharp and can cause severe personal injury if handled incorrectly. Wrap the blade or wear protective gloves, and use extra caution when handling.

The steel blade is designed to provide a fine cut in long or tough grass. Deterioration in the quality of cut indicates blade wear or damage.

WARNING

An excessively vibrating lawn mower indicates that the blade is not properly balanced or has become deformed from striking an object. In this case, the blade must be repaired or replaced. Please follow the proper maintenance procedures for blade care or call the service center.

BLADE REPLACEMENT (Fig. 12)

WARNING

Wear heavy duty gloves when handling the blade.

IMPORTANT

Only use original replacement parts specified for this lawn mower.

- Disconnect the electrical supply to the lawn mower.
- Turn the lawn mower on its side to expose the underside of the blade housing.
- Wear heavy-duty gloves, or use a cloth to grip the blade.
- To remove the blade bolt (Fig. 12.1), hold the blade firmly by one hand, and use a spanner wrench (Fig. 12.2) to loosen the blade bolt by turning it counterclockwise.
- Fit the new blade, the washer and the bolt back on following the same steps in reverse order.

ENVIRONMENTAL PROTECTION

Recycle raw materials instead of disposing as waste. Machine, accessories and packaging should

be sorted for environment friendly recycling. The plastic components are labeled for categorized recycling.

This product must not be disposed of together with domestic waste in compliance with relative legislation referring to waste of electrical and electronic equipment. This product must be disposed of at a designated collection point. This can occur, for example, by handing it in at an authorized collecting point for the recycling of waste electrical and electronic equipment. Improper handling of waste equipment may have negative consequences for the environment and human health due to potentially hazardous substances that are often contained in electrical and electronic equipment. By properly disposing of this product, you are also contributing to the effective use of natural resources.

You can obtain information on collection points for waste equipment from your municipal administration, public waste disposal authority, an authorized body for the disposal of waste electrical and electronic equipment or your waste disposal company.

WARRANTY

This product is warranted in accordance with the legal / country specific regulations, effective from the date of purchase by the first user. Damage attributable to normal wear and tear, overload or improper handling will be excluded from the warranty. In case of a claim, please send the machine, completely assembled, to your dealer or the official service center.

FRANÇAIS

AVERTISSEMENTS GÉNÉRAUX DE SÉCURITÉ

Lire tous les avertissements de sécurité et toutes les instructions. Ne pas suivre les avertissements et instructions peut donner lieu à un choc électrique, un incendie et/ou une blessure sérieuse. Conserver tous les avertissements et toutes les instructions pour pouvoir s'y reporter ultérieurement. Le terme «outil» dans les avertissements fait référence à votre outil électrique alimenté par le secteur (avec cordon d'alimentation) ou votre outil fonctionnant sur batterie (sans cordon d'alimentation).

SÉCURITÉ DE LA ZONE DE TRAVAIL

Conserver la zone de travail propre et bien éclairée. Les zones en désordre ou sombres sont propices aux accidents.

Ne pas faire fonctionner les outils électriques en atmosphère explosive, par exemple en présence de liquides inflammables, de gaz ou de poussières. Les outils électriques produisent des étincelles qui peuvent enflammer les poussières ou les fumées.

Maintenir les enfants et les personnes présentes à l'écart pendant l'utilisation de l'outil. Les distractions peuvent vous faire perdre le contrôle de l'outil.

SÉCURITÉ ÉLECTRIQUE

Il faut que les fiches de l'outil électrique soient adaptées au socle. Ne jamais modifier la fiche de quelque façon que ce soit. Ne pas utiliser d'adaptateurs avec des outils à branchement de terre. Des fiches non modifiées et des socles adaptés réduiront le risque de choc électrique.

Éviter tout contact du corps avec des surfaces reliées à la terre telles que les tuyaux, les radiateurs, les cuisinières et les réfrigérateurs. Il existe un risque accru de choc électrique si votre corps est relié à la terre.

Ne pas exposer les outils à la pluie ou à des conditions humides. La pénétration d'eau à l'intérieur d'un outil augmentera le risque de choc électrique.

Ne pas maltraiter le cordon. Ne jamais utiliser le cordon pour porter, tirer ou débrancher l'outil. Maintenir le cordon à l'écart de la chaleur, du lubrifiant, des arêtes ou des parties en mouvement. Les cordons endommagés ou emmêlés augmentent le risque de choc électrique.

Lorsqu'on utilise un outil à l'extérieur, utiliser un prolongateur adapté à l'utilisation extérieure. L'utilisation d'un cordon adapté à l'utilisation extérieure réduit le risque de choc électrique.

Si l'usage d'un outil dans un emplacement humide est inévitable, utiliser une alimentation protégée par un dispositif à courant différentiel résiduel (RCD). L'usage d'un RCD réduit le risque de choc électrique.

SÉCURITÉ DES PERSONNES

Restez vigilant, regarder ce que vous êtes en train de faire et faire preuve de bon sens dans l'utilisation de l'outil. Ne pas utiliser un outil lorsque vous êtes fatigué ou sous l'emprise de drogues, d'alcool ou de médicaments. Un moment d'inattention en cours d'utilisation d'un outil peut entraîner des blessures graves des personnes.

Utiliser un équipement de sécurité. Toujours porter une protection pour les yeux. Les équipements de sécurité tels que les masques contre les poussières, les chaussures de sécurité antidérapantes, les casques ou les protections acoustiques utilisés pour les conditions appropriées réduiront les blessures des personnes.

Éviter tout démarrage intempestif. S'assurer que l'interrupteur est en position arrêt avant de brancher l'outil au secteur et/ou au bloc de batteries, de le ramasser ou de le porter. Porter les outils en ayant le doigt sur l'interrupteur ou brancher des outils dont l'interrupteur est en position marche est source d'accidents.

Retirer toute clé de réglage avant de mettre l'outil en marche. Une clé laissée fixée sur une partie tournante de l'outil peut donner lieu à des blessures de personnes.

Ne pas se précipiter. Garder une position et un équilibre adaptés à tout moment. Cela permet un meilleur contrôle de l'outil dans des situations inattendues.

S'habiller de manière adaptée. Ne pas porter de vêtements amples ou de bijoux. Garder les cheveux, les vêtements et les gants à distance des parties en mouvement. Des vêtements amples, des bijoux ou les cheveux longs peuvent être pris dans des parties en mouvement.

Si des dispositifs sont fournis pour le raccordement d'équipements pour l'extraction et la récupération des poussières, s'assurer qu'ils sont connectés et correctement utilisés. Utiliser des collecteurs de poussière peut réduire les risques dus aux poussières.

UTILISATION ET ENTRETIEN DE L'OUTIL

Ne pas forcer l'outil. Utiliser l'outil adapté à votre application. L'outil adapté réalisera mieux le travail et de manière plus sûre au régime pour lequel il a été construit.

Ne pas utiliser l'outil si l'interrupteur ne permet pas de passer de l'état de marche à arrêt et vice versa. Tout outil qui ne peut pas être commandé par l'interrupteur est dangereux et il faut le faire réparer.

Débrancher la fiche de la source d'alimentation en courant et/ou le bloc de batteries de l'outil avant tout réglage, changement d'accessoires ou avant de ranger l'outil. De telles mesures de sécurité préventives réduisent le risque de démarrage accidentel de l'outil.

Conserver les outils à l'arrêt hors de la portée des enfants et ne pas permettre à des personnes ne connaissant pas l'outil ou les présentes instructions de le faire fonctionner. Les outils sont dangereux entre les mains d'utilisateurs novices.

Observer la maintenance de l'outil. Vérifier qu'il

n'y a pas de mauvais alignement ou de blocage des parties mobiles, des pièces cassées ou toute autre condition pouvant affecter le fonctionnement de l'outil. En cas de dommages, faire réparer l'outil avant de l'utiliser. De nombreux accidents sont dus à des outils mal entretenus.

Garder affûtés et propres les outils permettant de couper. Des outils destinés à couper correctement entretenus avec des pièces coupantes tranchantes sont moins susceptibles de bloquer et sont plus faciles à contrôler.

Utiliser l'outil, les accessoires et les lames etc., conformément à ces instructions, en tenant compte des conditions de travail et du travail à réaliser. L'utilisation de l'outil pour des opérations différentes de celles prévues pourrait donner lieu à des situations dangereuses.

MAINTENANCE ET ENTRETIEN

Faire entretenir l'outil par un réparateur qualifié utilisant uniquement des pièces de rechange identiques. Cela assurera que la sécurité de l'outil est maintenue.

TONDEUSE À GAZON - AVERTISSEMENTS

Ne laissez jamais un enfant ou une autre personne n'ayant pas pris connaissance des instructions d'utilisation se servir de l'outil de jardin. Il est possible que les réglementations locales fixent une limite d'âge minimum de l'utilisateur. Gardez l'outil de jardin non utilisé hors de la portée des enfants.

Cet outil de jardin doit être utilisé par des personnes disposant des capacités physiques adaptées et de l'expérience et/ou des connaissances nécessaires. Si tel n'était pas le cas ou en cas d'utilisation de cet outil par des enfants, cette utilisation ne sera possible que sous la surveillance d'une personne responsable de la sécurité des utilisateurs ou que ces derniers aient été instruits quant au maniement de l'outil. Dans le cas contraire, un risque de mauvaise utilisation et de blessures existe. Les enfants doivent être surveillés pour assurer qu'ils ne jouent pas avec l'outil de jardin.

Ne tondez jamais la pelouse lorsque des personnes, en particulier des enfants ou des animaux domestiques se trouvent à proximité.

L'opérateur ou l'utilisateur de la tondeuse est responsable des accidents et des dommages causés à autrui ou à ses biens.

Ne faites jamais fonctionner l'outil de jardin si vous marchez pieds nus ou portez des sandales ouvertes. Portez toujours des chaussures fermées et des pantalons longs.

Inspectez soigneusement la surface à travailler et éliminez pierres, bâtons, fils métalliques, os et autres objets étrangers.

Avant de mettre l'appareil en fonctionnement, contrôlez toujours si les lames, les vis des lames et le sous-groupe de coupage sont usés ou endommagés. Remplacez les lames usées ou endommagées toujours en même temps que les vis des lames pour éviter tout balourd.

Ne tondez que de jour ou sous un bon éclairage artificiel.

Ne pas travailler avec la tondeuse à gazon dans des conditions météorologiques défavorables et plus particulièrement en cas d'approche d'orage. Si possible, n'utilisez pas l'outil de jardin lorsque l'herbe est mouillée.

Ne menez l'appareil qu'au pas, ne jamais courir. N'utilisez jamais l'outil de jardin quand les équipements de sécurité sont défectueux, sans coque ou sans équipements de protection tels que par exemple le pare-chocs et/ou le bac de ramassage.

- ▶ Portez une protection acoustique.
- ▶ Travaillez sur des talus peut être dangereux.
- ▶ Ne tondez pas des pentes très abruptes.
- ▶ Sur des pentes ou de l'herbe mouillée, faites attention à ne pas perdre l'équilibre.

Tondez toujours perpendiculairement à la pente - jamais de haut en bas ou de bas en haut.

Faites très attention lors d'un changement de direction sur une pente.

Faites très attention en reculant ou en tirant l'outil de jardin vers vous.

Lors des travaux de tonte, poussez l'outil de jardin toujours vers l'avant et ne le tirez jamais vers vous. Les lames doivent être totalement à l'arrêt quand vous devez incliner l'outil de jardin pour le transporter, quand vous traversez des surfaces autres que le gazon ou quand vous transportez l'outil de jardin entre deux surfaces à tondre.

N'inclinez pas l'outil de jardin lors du démarrage ou lorsque vous mettez le moteur en fonctionnement, sauf si ceci est nécessaire pour la mettre en marche quand l'herbe est haute. Dans ce cas-là, soulevez alors l'outil de jardin juste ce qu'il faut et uniquement sur le côté opposé à l'utilisateur en poussant le guidon vers le bas. Veillez toujours à ce que vos mains soient placées sur le guidon lorsque vous posez l'outil de jardin sur le sol.

Mettez l'outil de jardin en marche conformément aux instructions du mode d'emploi et veillez à maintenir les pieds bien à l'écart des parties en rotation.

Tenez les pieds et les mains éloignés des parties rotatives de l'outil de jardin.

Gardez une distance suffisante par rapport à la zone d'éjection lorsque vous travaillez avec l'outil de jardin.

Ne soulevez ni transportez jamais l'outil de jardin pendant que le moteur est en marche.

N'effectuez aucune modification sur l'outil de jardin. Des modifications non autorisées peuvent s'avérer préjudiciables à la sécurité de votre outil de jardin et conduiront à une augmentation des émissions de bruit et des vibrations.

Contrôlez régulièrement le câble de secteur et la rallonge utilisée. Ne raccordez jamais un câble endommagé au réseau et ne le touchez pas avant qu'il ne soit déconnecté du réseau. Un câble endommagé pourrait vous mettre en contact avec des pièces sous tension. Protégez-vous contre les chocs électriques.

RETIRER LA FICHE DE LA PRISE DE COURANT

à chaque fois que vous vous éloignez de l'outil de jardin.

Avant d'éliminer un engorgement.

Pour contrôler, nettoyer ou effectuer des travaux sur l'outil de jardin.

Après avoir heurté un objet étranger. Vérifiez immédiatement que l'outil de jardin ne présente pas d'endommagements, et, si nécessaire, faites-le réparer.

Si l'outil de jardin commence à vibrer anormalement (vérifier immédiatement).

BRANCHEMENT SUR L'ALIMENTATION

Assurez-vous que les informations sur l'alimentation indiquées sur la plaque signalétique de la machine, soient compatibles avec l'alimentation à laquelle vous avez l'intention de la brancher.

Cet appareil est de Classe II et est prévu pour être raccordé à une alimentation correspondant à celle indiquée sur l'étiquette, et compatible avec la prise de courant installée. Si une rallonge est nécessaire, utilisez un fil approuvé et compatible pour cet appareil. Suivez toutes les instructions fournies avec la rallonge.

CONSEILS D'UTILISATION DES RALLONGES

Assurez-vous que votre rallonge soit en bon état. Lorsque vous utilisez une rallonge, assurez-vous d'en utiliser une assez résistante pour faire circuler le courant que le rabot consommera. Un cordon sous-dimensionné provoquera une chute de tension, entraînant une perte de puissance et une surchauffe.

Remplacez toujours une rallonge endommagée, ou faites-la réparer par une personne qualifiée avant de l'utiliser.

Protégez vos rallonges des objets pointus, de la chaleur excessive et des zones humides / mouillées.

Utilisez un autre circuit électrique pour vos outils. Ce circuit doit être protégé grâce à un fusible à fusion lente. Avant de brancher le moteur à l'alimentation, assurez-vous que l'interrupteur soit sur la position OFF, et que la tension électrique soit la même que celle indiquée sur la plaque signalétique du moteur. Faire fonctionner le moteur sur une tension d'une valeur inférieure, l'endommagera.

SPÉCIFICATIONS DU PRODUIT

UTILISATION PRÉVUE

Cette tondeuse à gazon doit être utilisée dans le secteur résidentiel chez les particuliers, afin de couper le gazon des petites pelouses et jardins. Ne vous servez pas de cette tondeuse à gazon à un autre usage.

SPÉCIFICATIONS TECHNIQUES		
N° d' article	46 520	
Modèle	ELM 34/1400 PLUS	
Tension nominale	V	230-240
Fréquence nominale	Hz	50
Système de propulsion	Pousser	
Largeur de coupe	cm	34
Plage de hauteur de coupe	mm	25-75 (6 positions)
Bouchon de paillage	Oui	
Puissance nominale	W	1.400
Capacité du sac à herbe	L	35
Diamètre de la roue avant	mm	150
Diamètre de la roue arrière	mm	200
Longueur de câble	cm	35
Niveau de vibration (ah)	m/s ²	4,5
Incertitude (K)	m/s ²	1,5
Niveau de puissance sonore (LwA)	dB(A)	94
Niveau de puissance acoustique garanti (LwA)	dB(A)	95,9
Incertitude (K)	dB	1,85
Poids net	kg	13

IDENTIFICATION (Fig. 1)

1. Levier de l'interrupteur ON / OFF
2. Poignée supérieure
3. Crochet de retenue de la rallonge
4. Cordon d'appareil
5. Poignée de ramassage d'herbe
6. Collecteur d'herbe
7. Levier de dégagement rapide inférieur
8. Roue arrière
9. Roue avant
10. Levier de réglage de la hauteur
11. Poignée inférieure
12. Levier de dégagement rapide supérieur
13. Clip de câble
14. Boîte de commutation
15. Bouton de sécurité

ASSEMBLÉ

ASSEMBLAGE DE LA POIGNÉE

1. De chaque côté de la tondeuse à gazon, placez l'adaptateur en position sur le cadre de la poignée, placez la poignée inférieure sur la rainure de l'adaptateur et serrez fermement à l'aide du boulon, de la rondelle et du levier de dégagement rapide (Fig. 2).
2. Placez la poignée supérieure en position et serrez fermement à l'aide du boulon, de la rondelle et du levier de dégagement rapide (Fig. 3).

REMARQUE:

Le cas échéant, assurez-vous de placer le crochet de retenue de la rallonge (Fig. 1.3) en position sur la poignée supérieure avant l'étape «2».

ASSEMBLAGE ET MONTAGE DU BAC À HERBE

Le bac de ramassage (Fig. 1.6) empêche les coupures d'herbe d'être projetées sur votre pelouse pendant que vous tondez.

1. Insérez la poignée du bac de ramassage (Fig. 4.1) dans les trous sur le dessus du bac de ramassage (Fig. 4.2) jusqu'à ce qu'elle s'enclenche.
2. Alignez les sections supérieure et inférieure du bac à herbe et joignez-les. Assurez-vous que les clips sont situés correctement et solidement.

REMARQUE:

Pour les modèles avec partie inférieure en plastique, joindre au préalable les côtés gauche et droit en une seule pièce (Fig. 4.3).

3. Soulevez le volet du collecteur d'une main. De l'autre main, tenez le bac de ramassage par la poignée et accrochez-le par le haut (Fig. 5).

UTILISATION

AVERTISSEMENT

Avant de brancher le fil d'alimentation, vérifiez toujours que l'interrupteur soit sur la position de coupure!

CROCHET DE MAINTIEN DE LA RALLONGE

Nous vous recommandons d'utiliser votre tondeuse de la façon indiquée dans cette section, afin que la tonte soit optimale et afin de minimiser les risques de coupure du fil d'alimentation. Placez la plus grande partie du fil sur la pelouse, près du point de départ. Passez le fil dans le serre-câble (Fig. 1.3).

RÉGLAGE DE LA HAUTEUR DE COUPE

Cette tondeuse à gazon électrique est équipée d'un système de réglage de la hauteur, à 6 positions, pour adapter les hauteurs de coupe de l'herbe de 25 à 75 mm. Pour obtenir la hauteur de coupe souhaitée, les essieux avant et arrière se repositionnent sous la tondeuse à gazon. Réglez la hauteur à l'aide de la poignée de réglage de la hauteur (Fig. 1.10).

DÉMARRER LE MOTEUR

1. Branchez la machine sur l'alimentation, en vous assurant qu'elle réponde aux conditions recom-

mandées. L'alimentation électrique doit être alimentée par un système à courant résiduel (RDC) en fonction d'un courant de déclenchement des fusibles ne dépassant pas 30 mA.

2. Avant de démarrer la tondeuse à gazon, tenez la poignée des deux mains, et inclinez-la vers le bas pour soulever légèrement l'avant de la tondeuse à gazon (Fig. 6). Cela évitera d'endommager la pelouse lors de la mise en route.
3. Appuyez et maintenez enfoncé le bouton de sécurité (Fig. 1.15) du levier d'allumage tout en tirant ce dernier (Fig. 1.1) vers vous. Une fois la machine allumée, relâchez le bouton de sécurité.
4. Laissez le moteur accélérer, abaissez doucement la tondeuse à gazon en position de coupe et commencez à tondre (H).

Bouchon de paillage

Le bouchon mulching doit être utilisé lors du paillage et jamais en combinaison avec la collecte des sacs. Retirez le sac à herbe lorsque vous utilisez le bouchon de déchiquetage. Pour installer le bouchon mulching, soulevez l'éjection arrière et faites-la glisser en position (Fig. 8).

ARRÊTER LE MOTEUR

Pour arrêter la tondeuse, relâchez le levier d'allumage et celui-ci revient automatiquement en position d'arrêt.

INDICATEUR DE VOLUME DU SAC DE PANIER À GAZON

1. Si le sac du panier à gazon est vide ou n'est pas complètement rempli d'herbe, le rabat de l'indicateur d'herbe restera ouvert (en raison du débit d'air) ou s'ouvrira et se fermera lorsque l'herbe s'accumulera dans le sac.
2. Lorsque le sac à gazon atteint sa capacité maximale, le volet indicateur de volume d'herbe restera fermé (en raison du débit d'air restreint). Il est alors temps de vider le sac.

CONSEILS DE TONTE (Fig. 11)

Pour couper au mieux votre gazon, tondez votre pelouse en changeant de direction à chaque fois. Coupez votre pelouse à une hauteur uniforme. Chevauchez légèrement vos trajectoires de coupe.

ENTRETIEN

AVERTISSEMENT

Avant de nettoyer, de réparer ou d'inspecter la tondeuse à gazon, débranchez la prise d'alimentation, et vérifiez que toutes les pièces mobiles soient complètement arrêtées.

GÉNÉRALITÉS

Faites toujours en sorte que la tondeuse à gazon reste propre et exempte d'herbe, de saleté ou de tous autres débris.

Maintenez les poignées sèches, propres et exemptes d'huile et de graisse.

Après avoir coupé le gazon, enlevez l'herbe et les

débris accumulés à l'aide d'un chiffon sec ou d'une brosse à main. Vous pouvez également nettoyer cette machine à l'aide d'un chiffon humide. N'utilisez pas d'agents de nettoyage ou de solvants corrosifs, car ils pourraient endommager les parties en plastique de la machine. Assurez-vous que l'eau ne puisse pénétrer à l'intérieur de la tondeuse, car elle peut détruire le mécanisme « interrupteur / prise » et le moteur électrique.

Ne nettoyez pas la tondeuse à l'eau courante, en particulier avec de l'eau sous haute pression.

Vérifiez que tous les écrous, boulons et vis sont bien serrés avant chaque utilisation.

Inspectez fréquemment le sac du panier à gazon pour détecter les traces d'usure, et remplacez-le immédiatement par une pièce d'origine si des dégâts sont constatés.

Remplacez immédiatement les pièces excessivement usées ou endommagées.

LUBRIFICATION

Tous les roulements de cette machine sont lubrifiés avec une quantité suffisante de lubrifiants de haute qualité pour toute la durée utile de l'appareil, et cela dans des conditions normales d'utilisation. Par conséquent, aucune lubrification supplémentaire des roulements n'est nécessaire.

Au début et à la fin de chaque saison de tonte:

- ▶ Lubrifiez les ressorts de la porte arrière du déchargeur, avec de l'huile de légère densité.
- ▶ Retirez la lame et le rotor, et lubrifiez l'arbre du moteur avec de l'huile de légère densité ou de l'huile moteur. Cf. « Remplacement de la lame » où vous y découvrirez des consignes.

ENTRETIEN DE LA LAME IMPORTANT

La lame de la tondeuse est tranchante et peut causer des blessures graves si elle est manipulée incorrectement. Enveloppez la lame ou portez des gants de protection, et redoublez de prudence lors de sa manipulation.

La lame en acier peut couper finement dans une herbe longue ou dure. Une détérioration de la qualité de coupe indique une usure de la lame ou des dégâts de celle-ci.

AVERTISSEMENT

Une tondeuse à gazon qui vibre excessivement, indique que la lame n'est pas correctement équilibrée ou s'est déformée à la suite d'un impact avec un objet. Dans ce cas, la lame doit être réparée ou changée. Suivez les procédures de maintenance concernées pour entretenir la lame ou appelez le service Après-vente.

REMPACEMENT DE LA LAME (Fig. 12)

AVERTISSEMENT

Portez des gants épais lors de la manipulation de la lame.

IMPORTANT

N'utilisez que les pièces de rechange d'origine indiquées pour cette tondeuse à gazon.

1. Débranchez l'alimentation de la tondeuse à gazon.
2. Tournez la tondeuse sur le côté pour exposer le dessous du carter de lame.

3. Portez des gants épais ou utilisez un chiffon pour saisir la lame.
4. Pour retirer le boulon de fixation de la lame (n1), tenez la lame fermement d'une main et utilisez une clé (n2) pour desserrer le boulon de lame en le tournant dans le sens inverse des aiguilles d'une montre.
5. Installez la nouvelle lame, la rondelle et le boulon en suivant les mêmes étapes dans l'ordre inverse.

PROTECTION ENVIRONNEMENTALE

Recyclez les matières premières au lieu de les éliminer comme déchets. La machine, les accessoires et l'emballage doivent être triés pour un recyclage respectueux de l'environnement. Les composants en plastique sont étiquetés pour un recyclage catégorisé.

Ce produit ne doit pas être jeté avec les déchets ménagers conformément à la législation relative aux déchets d'équipements électriques et électroniques. Ce produit doit être éliminé dans un point de collecte désigné. Cela peut se produire, par exemple, en le déposant dans un point de collecte agréé pour le recyclage des déchets d'équipements électriques et électroniques. Une mauvaise manipulation des équipements usagés peut avoir des conséquences négatives pour l'environnement et la santé humaine en raison des substances potentiellement dangereuses qui sont souvent contenues dans les équipements électriques et électroniques. En vous débarrassant correctement de ce produit, vous contribuez également à une utilisation efficace des ressources naturelles.

Vous pouvez obtenir des informations sur les points de collecte des déchets d'équipements auprès de votre administration municipale, de l'autorité publique d'élimination des déchets, d'un organisme agréé pour l'élimination des déchets d'équipements électriques et électroniques ou de votre entreprise d'élimination des déchets.

GARANTIE

Ce produit est garanti conformément aux réglementations légales / nationales, en vigueur à compter de la date d'achat par le premier utilisateur. Les dommages attribuables à l'usure normale, à la surcharge ou à une mauvaise manipulation seront exclus de la garantie. En cas de réclamation, veuillez envoyer la machine, complètement assemblée, à votre revendeur ou au centre de service officiel.

ITALIANO

AVVERTENZE GENERALI DI SICUREZZA

Leggere tutte le avvertenze di pericolo e le istruzioni operative. In caso di mancato rispetto delle avvertenze di pericolo e delle istruzioni operative si potrà creare il pericolo di scosse elettriche, incendi e/o incidenti gravi. Conservare tutte le avvertenze di pericolo e le istruzioni operative per ogni esigenza futura. Il termine «elettrotensile» utilizzato nelle avvertenze di pericolo si riferisce ad utensili elettrici alimentati dalla rete (con linea di allacciamento) ed ad utensili elettrici alimentati a batteria (senza linea di allacciamento).

SICUREZZA DELL' AREA DI LAVORO

Tenere la postazione di lavoro sempre pulita e ben illuminata. Il disordine oppure zone della postazione di lavoro non illuminate possono essere causa di incidenti.

Evitare d'impiegare l'elettrotensile in ambienti soggetti al rischio di esplosioni nei quali si abbia presenza di liquidi, gas o polveri infiammabili. Gli elettrotensili producono scintille che possono far infiammare la polvere o i gas.

Tenere lontani i bambini ed altre persone durante l'impiego dell'elettrotensile. Eventuali distrazioni potranno comportare la perdita del controllo sull'elettrotensile.

SICUREZZA ELETTRICA

La spina di allacciamento alla rete dell'elettrotensile deve essere adatta alla presa. Evitare assolutamente di apportare modifiche alla spina. Non impiegare spine adattatrici assieme ad elettrotensili dotati di collegamento a terra. Le spine non modificate e le prese adatte allo scopo riducono il rischio di scosse elettriche.

Evitare il contatto fisico con superfici collegate a terra, come tubi, riscaldamenti, cucine elettriche e frigoriferi. Sussiste un maggior rischio di scosse elettriche nel momento in cui il corpo è messo a massa.

Custodire l'elettrotensile al riparo dalla pioggia o dall'umidità. La penetrazione dell'acqua in un elettrotensile aumenta il rischio di una scossa elettrica.

Non usare il cavo per scopi diversi da quelli previsti ed, in particolare, non usarlo per trasportare o per appendere l'elettrotensile oppure per estrarre la spina dalla presa di corrente. Non avvicinare il cavo a fonti di calore, olio, spigoli taglienti e neppure a parti della macchina che siano in movimento. I cavi danneggiati o aggrovigliati aumentano il rischio d'insorgenza di scosse elettriche.

Qualora si voglia usare l'elettrotensile all'aperto, impiegare solo ed esclusivamente cavi di prolunga che siano adatti per l'impiego all'esterno. L'uso di un cavo di prolunga omologato per l'impiego all'esterno riduce il rischio d'insorgenza di scosse elettriche.

Qualora non fosse possibile evitare di utilizzare l'elettrotensile in ambiente umido, utilizzare un interruttore di sicurezza (RCD). L'uso di un interruttore di sicurezza riduce il rischio di una scossa elettrica.

SICUREZZA DELLE PERSONE

È importante concentrarsi su ciò che si sta facendo e maneggiare con giudizio l'elettrotensile durante le operazioni di lavoro. Non utilizzare mai l'elettrotensile in caso di stanchezza oppure quando ci si trovi sotto l'effetto di droghe, bevande alcoliche e medicinali. Un attimo di distrazione durante l'uso dell'elettrotensile può essere causa di gravi incidenti.

Indossare sempre equipaggiamento protettivo individuale nonché occhiali protettivi. Indossando abbigliamento di protezione personale come la maschera per polveri, scarpe di sicurezza che non scivolino, elmetto di protezione oppure protezione acustica a seconda del tipo e dell'applicazione dell'elettrotensile, si riduce il rischio di incidenti.

Evitare l'accensione involontaria dell'elettrotensile. Prima di collegarlo alla rete di alimentazione elettrica e/o alla batteria ricaricabile, prima di prenderlo oppure prima di iniziare a trasportarlo, assicurarsi che l'elettrotensile sia spento. Tenendo il dito sopra l'interruttore mentre si trasporta l'elettrotensile oppure collegandolo all'alimentazione di corrente con l'interruttore inserito, si vengono a creare situazioni pericolose in cui possono verificarsi seri incidenti.

Prima di accendere l'elettrotensile togliere gli attrezzi di regolazione o la chiave inglese. Un accessorio oppure una chiave che si trovi in una parte rotante della macchina può provocare seri incidenti.

Evitare una posizione anomala del corpo. Avere cura di mettersi in posizione sicura e di mantenere l'equilibrio in ogni situazione. In questo modo è possibile controllare meglio l'elettrotensile in caso di situazioni inaspettate.

Indossare vestiti adeguati. Non indossare vestiti larghi, né portare bracciali e catenine. Tenere i capelli, i vestiti ed i guanti lontani da pezzi in movimento. Vestiti lenti, gioielli o capelli lunghi potranno impigliarsi in pezzi in movimento.

In caso fosse previsto il montaggio di dispositivi di aspirazione della polvere e di raccolta, assicurarsi che gli stessi siano collegati e che vengano utilizzati correttamente. L'utilizzo di un'aspirazione polvere può ridurre lo svilupparsi di situazioni pericolose dovute alla polvere.

TRATTAMENTO ACCURATO ED USO CORRETTO DEGLI ELETTROTENSILI

Non sottoporre la macchina a sovraccarico. Per il proprio lavoro, utilizzare esclusivamente l'elettrotensile esplicitamente previsto per il caso. Con un elettrotensile adatto si lavora in modo migliore e più sicuro nell'ambito della sua potenza di prestazione.

Non utilizzare mai elettrotensili con interruttori difettosi. Un elettrotensile con l'interruttore rotto è pericoloso e deve essere aggiustato.

Prima di procedere ad operazioni di regolazione sulla macchina, prima di sostituire parti accessorie oppure prima di posare la macchina al termine di un lavoro, estrarre sempre la spina dalla presa della corrente e/o estrarre la batteria ricarica-

bile. Tale precauzione eviterà che l'elettrotensile possa essere messo in funzione involontariamente.

Quando gli elettrotensili non vengono utilizzati, conservarli al di fuori del raggio di accesso di bambini. Non fare usare l'elettrotensile a persone che non siano abituate ad usarlo o che non abbiano letto le presenti istruzioni. Gli elettrotensili sono macchine pericolose quando vengono utilizzati da persone non dotate di sufficiente esperienza.

Eeguire la manutenzione dell'elettrotensile operando con la dovuta diligenza. Accertarsi che le parti mobili della macchina funzionino perfettamente, che non s'inceppino e che non ci siano pezzi rotti o danneggiati al punto da limitare la funzione dell'elettrotensile stesso. Prima di iniziare l'impiego, far riparare le parti danneggiate. Numerosi incidenti vengono causati da elettrotensili la cui manutenzione è stata effettuata poco accuratamente.

Mantenere gli utensili da taglio sempre affilati e puliti. Gli utensili da taglio curati con particolare attenzione e con taglianti affilati s'inceppano meno frequentemente e sono più facili da condurre.

Utilizzare l'elettrotensile, gli accessori opzionali, gli utensili per applicazioni specifiche ecc., sempre attenendosi alle presenti istruzioni. Così facendo, tenere sempre presente le condizioni di lavoro e le operazioni da eseguire. L'impiego di elettrotensili per usi diversi da quelli consentiti potrà dar luogo a situazioni di pericolo.

ASSISTENZA

Fare riparare l'elettrotensile solo ed esclusivamente da personale specializzato e solo impiegando pezzi di ricambio originali. In tale maniera potrà essere salvaguardata la sicurezza dell'elettrotensile.

AVVISI DI SICUREZZA RELATIVI AL TOSAERBA

Non permettere a bambini oppure a persone che non abbiano preso visione delle presenti istruzioni di utilizzare l'apparecchio per il giardinaggio. Le norme nazionali prevedono eventualmente dei limiti di restrizione relativamente all'età dell'operatore. Se l'apparecchio per il giardinaggio non viene impiegato, conservarlo fuori della portata dei bambini.

Questo apparecchio per il giardinaggio non è destinato all'uso da parte di persone (bambini compresi) con capacità fisiche, sensoriali o mentali ridotte oppure a cui manchi esperienza e/o conoscenza, se le stesse non sono sorvegliate oppure istruite relativamente all'uso dell'apparecchio per il giardinaggio da parte di una persona responsabile per la loro sicurezza. I bambini dovrebbero essere sorvegliati per assicurarsi che non giochino con l'apparecchio per il giardinaggio.

Non utilizzare mai il tosaerba quando nelle immediate vicinanze vi sono persone ed in modo particolare bambini oppure animali domestici.

L'operatore o l'utente è responsabile degli incidenti o dei rischi in cui possono incorrere le altre persone o le loro proprietà.

Mai utilizzare l'apparecchio per il giardinaggio a piedi nudi né calzando sandali aperti. Portare sempre robuste scarpe di sicurezza e pantaloni lunghi.

Ispezionare accuratamente la superficie da lavorare ed avere cura di rimuovere eventuali pietre, bastoni, fili metallici, ossi e qualunque altro tipo di corpo estraneo.

Prima dell'impiego controllare sempre visivamente che le lame, le viti delle lame ed il gruppo di taglio non siano usurati o danneggiati. Al fine di evitare squilibri, in caso di usura o danneggiamento delle lame e delle viti delle lame, sostituire sempre la serie completa.

Procedere alla tosatura dell'erba solamente di giorno o con una buona illuminazione artificiale. Con cattive condizioni meteorologiche, in modo particolare in caso di un temporale che si sta avvicinando, non lavorare con il tosaerba.

Se possibile, evitare di utilizzare l'apparecchio per il giardinaggio sull'erba bagnata. Camminare sempre e non correre mai.

Mai utilizzare l'apparecchio per il giardinaggio con dispositivi di protezione e coperture difettosi oppure senza dispositivi di sicurezza, come per esempio deflettore protettivo e/o cestello raccogliërba.

- ▶ Portare protezione per l'udito.
- ▶ La tosatura dell'erba sulle scarpe può essere pericolosa.
- ▶ Non tosare l'erba su pendenze eccessivamente ripide.
- ▶ In caso di superfici con una certa pendenza oppure in caso di erba bagnata, attenzione a non scivolare.

In caso di superfici con una certa pendenza, tosare l'erba trasversalmente e non procedere mai in senso perpendicolare alla pendenza.

Porre estrema cautela nell'invertire direzione sulle pendenze.

Operare con estrema attenzione quando si arretra o quando si tira l'apparecchio per il giardinaggio.

Durante la tosatura dell'erba avere cura di spingere l'apparecchio per il giardinaggio sempre in avanti e di non tirarla mai in direzione del proprio corpo.

Le lame devono essere sempre completamente ferme prima di ribaltare l'apparecchio per il giardinaggio per trasportarla su superfici non erbose e alla/dalla zona da trattare.

Durante l'operazione di accensione oppure avviamento del motore non ribaltare l'apparecchio per il giardinaggio a meno che questo non sia indispensabile per l'avviamento nell'erba alta. In questo caso, premendo verso il basso l'impugnatura, sollevare la parte lontana dall'operatore non più di quanto strettamente necessario. Al momento di abbassare di nuovo l'apparecchio per il giardinaggio, fare attenzione a tenere entrambe le mani sull'impugnatura.

Accendere l'apparecchio per il giardinaggio

come descritto nelle istruzioni d'uso e fare attenzione che i piedi siano a distanza sufficiente dalle parti rotanti.

Non mettere le mani ed i piedi vicino o sotto le parti rotanti.

Lavorando con l'apparecchio per il giardinaggio mantenere sempre una certa distanza dalla zona di espulsione.

Non sollevare, né trasportare mai l'apparecchio per il giardinaggio con il motore in funzione.

Non effettuare alcuna modifica all'apparecchio per il giardinaggio. Modifiche illecite possono pregiudicare la sicurezza dell'apparecchio per il giardinaggio e causare un aumento della rumorosità e delle vibrazioni.

Controllare regolarmente il cavo di collegamento ed il cavo di prolunga utilizzato. Non collegare un cavo danneggiato alla rete elettrica o non toccarlo prima di averlo staccato dalla rete elettrica. In caso di cavo danneggiato possono venire a contatto parti sotto tensione. Proteggersi contro pericoli causati da scosse elettriche.

ESTRARRE LA SPINA DALLA PRESA

Ogniquale volta si lascia l'apparecchio per il giardinaggio incustodito.

Prima dell'eliminazione di blocchi.

Prima di effettuare controlli, interventi di pulizia oppure lavori all'apparecchio per il giardinaggio.

In seguito ad una collisione con corpi estranei. Controllare immediatamente l'apparecchio per il giardinaggio in merito a danneggiamenti e, se necessario, far effettuare le dovute riparazioni. Se l'apparecchio per il giardinaggio inizia a vibrare in modo insolito (controllare immediatamente).

COLLEGAMENTO ALLA RETE ELETTRICA

Assicurarsi che le informazioni di alimentazione elettrica contenute nella targhetta identificativa della macchina siano compatibili con l'alimentazione elettrica cui si intende collegarla.

Questo apparecchio è di Classe II ed è progettato per essere collegato a una rete elettrica corrispondente a quella indicata nella targhetta identificativa e compatibile con la spina in dotazione. Nel caso in cui sia necessaria una prolunga, usarne una approvata, compatibile e garantita per questo apparecchio. Seguire tutte le istruzioni fornite con la prolunga.

LINEE GUIDA PER L'USO DI PROLUNGHE

Assicurarsi che la prolunga sia collegata correttamente e sia in buone condizioni. Quando si usa una prolunga, assicurarsi che la sezione del cavo sia sufficiente per portare la corrente assorbita dal vostro prodotto. Un cavo sottodimensionato potrà causare cadute di tensione e quindi una perdita di potenza e un eccessivo riscaldamento dell'apparecchio.

Sostituire sempre una prolunga danneggiata o farla riparare da un tecnico qualificato prima di usarla.

Proteggere le prolunghe da oggetti affilati, calore eccessivo e aree umide/bagnate.

Usare un circuito elettrico separato per i vostri apparecchi. Questo circuito dovrebbe essere protetto con un fusibile ritardato idoneo. Prima di collegare il motore alla linea elettrica, verificare che l'interruttore si trovi in posizione OFF e che la tensione elettrica corrisponda a quella specificata sulla targhetta del motore. Una tensione inferiore comporterà danni al motore.

SPECIFICHE DEL PRODOTTO

DESTINAZIONE D'USO

Questo tosaerba è destinato a un uso privato e domestico, per tagliare l'erba in prati e giardini di piccole dimensioni. Non usare questo tosaerba per applicazioni diverse da quelle cui è destinato.

DATI TECNICI		
Codice prodotto	46 520	
Modello	ELM 34/1400 PLUS	
Tensione nominale	V	230-240
Frequenza nominale	Hz	50
Sistema di propulsione	Spingere	
Larghezza di taglio	cm	34
Gamma di altezza di taglio	mm	25-75 (6 posizioni)
Tappo mulching	Sì	
Potenza nominale	W	1.400
Capacità sacco raccogliherba	L	35
Diametro ruota anteriore	mm	150
Diametro ruota posteriore	mm	200
Lunghezza del cavo	cm	35
Livello di vibrazione (ah)	m/s ²	4,5
Incertezza (K)	m/s ²	1,5
Livello di potenza sonora (LwA)	dB(A)	94
Livello di potenza sonora garantito (LwA)	dB(A)	95,9
Incertezza (K)	dB	1,85
Peso netto	kg	13

IDENTIFICAZIONE (Fig. 1)

1. Leva dell'interruttore ON / OFF
2. Manico superiore
3. Gancio di ritenuta per cavo di prolunga
4. Cavo dell'apparecchio
5. Manico raccogliherba
6. Raccogliitore di erba
7. Leva di sgancio rapido inferiore
8. Ruota posteriore
9. Ruota anteriore
10. Leva di regolazione dell'altezza
11. Maniglia inferiore
12. Leva di sgancio rapido superiore
13. Clip per cavo
14. Interruttore
15. Pulsante di sicurezza

MONTAGGIO

MANIGLIA DI MONTAGGIO

1. Su ciascun lato del tosaerba, posizionate l'adattatore in posizione sul telaio dell'impugnatura, posizionate l'impugnatura inferiore sul boschetto dell'adattatore e serrate saldamente utilizzando il bullone, la rondella e la leva a sgancio rapido (Fig. 2).
2. Posizionare la maniglia superiore in posizione e serrare saldamente utilizzando il bullone, la rondella e la leva di sgancio rapido (Fig. 3).

NOTA:

Dove applicabile, assicurarsi di posizionare il gancio di ritenuta della prolunga (Fig. 1.3) in posizione sul manico superiore prima del punto "2".

ASSEMBLAGGIO E MONTAGGIO DEL CESTO DI RACCOLTA

Il cesto di raccolta (Fig. 1.6) impedisce che l'erba tagliata venga lanciata sul prato durante il taglio.

1. Inserire la maniglia del raccogliherba (Fig. 4.1) nei fori sulla parte superiore del raccogliherba (Fig. 4.2) finché non scatta in posizione.
2. Allineare e unire le sezioni del raccogliherba superiore e inferiore. Verificare che le clip siano posizionate correttamente e saldamente.

NOTA:

Per i modelli con parte inferiore in plastica, unire preventivamente il lato sinistro e destro in un unico pezzo (Fig. 4.3).

3. Sollevare lo sportello del raccogliitore con una mano. Con l'altra mano tenete il cesto di raccolta per la maniglia e agganciatelo dall'alto (Fig. 5).

USO

AVVISO

Prima del collegamento all'alimentazione elettrica, verificare sempre che l'interruttore sia in posizione OFF!

ARRESTO DELLA PROLUNGA

Consigliamo di usare il tosaerba come indicato in questa sezione per ottenere risultati ottimali e per ridurre il rischio di tagliare il cavo di alimentazione.

Posizionare la maggior parte del cavo di alimentazione sul prato, vicino al punto di partenza. Far passare il cavo attraverso la pinza di arresto (Fig. 1.3).

REGOLAZIONE DELL'ALTEZZA DI TAGLIO

Questo tosaerba elettrico è dotato di un sistema di regolazione dell'altezza a 6 posizioni per adattarsi ad altezze di taglio da 25 a 75 mm. Per ottenere l'altezza di taglio desiderata, l'asse anteriore e posteriore sul fondo del corpo del tosaerba vengono riposizionati. Regolare fino all'altezza desiderata tramite l'impugnatura di regolazione dell'altezza (Fig. 1.10).

AVVIO DEL MOTORE

1. Collegare la macchina all'alimentazione elettrica, assicurandosi che soddisfi i requisiti consigliati. La corrente elettrica deve essere fornita tramite un interruttore differenziale con una corrente di intervento non superiore a 30 mA.
2. Prima di avviare il tosaerba, tenere il gruppo impugnatura con entrambe le mani e inclinare l'impugnatura verso il basso per sollevare leggermente la parte anteriore del tosaerba (Fig. 6). Questa operazione ridurrà il rischio di danneggiare il prato all'avvio.
3. Tenere premuto il pulsante di sicurezza (Fig. 1.15) del gruppo interruttore mentre si tira verso di sé la leva interruttore di avvio/arresto (Fig. 1.1). Quando la macchina si accende, rilasciare il pulsante di sicurezza.
4. Attendere che il motore acquisti velocità, abbassando lentamente il tosaerba in posizione di taglio, e iniziare a tagliare (H).

Tappo mulching

Il tappo mulching è da utilizzare durante la pacciamatura e mai in combinazione con la raccolta a sacco. Rimuovere il sacco raccogliherba quando si utilizza il tappo mulching. Per installare il tappo mulching, sollevate lo scarico posteriore e fatelo scorrere in posizione (Fig. 8).

ARRESTO DEL MOTORE

Per arrestare il tosaerba, rilasciare la leva interruttore di avvio/arresto, che ritornerà automaticamente in posizione OFF.

INDICATORE DI VOLUME DEL SACCO DI RACCOLTA ERBA

1. Se il sacco di raccolta erba è vuoto o non è completamente pieno, lo sportellino indicatore del livello dell'erba rimarrà aperto (a causa del flusso dell'aria) oppure si aprirà e chiuderà man mano che l'erba si accumula nel sacco.
2. Quando il sacco di raccolta raggiunge la capacità massima, lo sportellino indicatore rimarrà chiuso (a causa del ridotto flusso d'aria). Ciò indica che è il momento di svuotare il sacco.

CONSIGLI PER LA TOSATURA (Fig. 11)

Per ottenere risultati migliori, tosare il prato in direzioni alterne, cambiando direzione ogni volta che si taglia. Tagliare il prato a un'altezza pari e uniforme. Sovrapporre leggermente le linee di taglio.

MANUTENZIONE

AVVISO

Prima di pulire, riparare o ispezionare il tosaerba, scollegarlo dall'alimentazione elettrica e verificare che tutte le parti in movimento si siano arrestate del tutto.

INFORMAZIONI GENERALI

Tenere il tosaerba sempre pulito e privo di erba, sporcizia e altri detriti.

Tenere le impugnature asciutte, pulite e prive di olio o grasso.

Dopo ogni sessione di taglio, rimuovere gli accumuli di erba tagliata e detriti con un panno asciutto o con una spazzola manuale. È inoltre possibile pulire la macchina con un panno umido. Non usare agenti pulenti o solventi aggressivi perché potrebbero danneggiare i componenti in plastica dell'apparecchio. Assicurarsi di non far entrare acqua all'interno dell'apparecchio, perché la presenza di acqua all'interno può distruggere il meccanismo interruttore/presa e il motore elettrico.

Non pulire il tosaerba con acqua corrente, soprattutto con acqua ad alta pressione.

Prima di ogni uso, controllare che tutti i dadi, bulloni e viti siano ben serrati.

Verificare frequentemente l'eventuale presenza di segni di usura nel sacco di raccolta erba e sostituire immediatamente con una parte originale in caso di danni.

Sostituire immediatamente le parti eccessivamente usurate o danneggiate.

LUBRIFICAZIONE

Tutti i cuscinetti presenti in questo prodotto sono lubrificati con una quantità di lubrificante ad alto grado di viscosità sufficiente per l'intera vita dell'apparecchio in condizioni normali di utilizzo. Pertanto, non è necessario lubrificare ulteriormente i cuscinetti.

All'inizio e alla fine di ogni stagione di falciatura:

- Lubrificare le molle nello sportello di scarico posteriore con un olio leggero.
- Rimuovere la lama e il gruppo rotore della lama e lubrificare l'albero motore con olio leggero o con olio motore. Per istruzioni, consultare la sezione Sostituzione della lama.

MANUTENZIONE DELLA LAMA IMPORTANTE

La lama del tosaerba è affilata e può causare lesioni personali gravi se maneggiata erroneamente. Avvolgere la lama o indossare guanti protettivi, e maneggiare con estrema prudenza.

La lama di acciaio è progettata per fornire un taglio affilato su erba lunga o spessa. Un calo nella qualità del taglio indica usura o danni alla lama.

AVVISO

Un tosaerba con vibrazione eccessiva indica che la lama non è correttamente bilanciata o che si è deformata dopo aver colpito un oggetto. In questo caso, è necessario riparare o sostituire la lama. Seguire le corrette procedure di manutenzione per la cura della lama o chiamare il centro assistenza.

SOSTITUZIONE DELLA LAMA (Fig. 12)**AVVISO**

Indossare guanti pesanti quando si maneggia la lama.

IMPORTANTE

Usare solo parti di ricambio originali specifiche per questo tosaerba.

1. Scollegare il tosaerba dall'alimentazione elettrica.
2. Girare il tosaerba su un fianco per esporre il fondo dell'alloggio della lama.
3. Indossare guanti pesanti o usare un panno per afferrare la lama.
4. Per rimuovere il bullone della lama (Fig. 12.1), tenere fermamente la lama con una mano, e usare una chiave (Fig. 12.2) per allentare il bullone della lama ruotandolo in senso antiorario.
5. Inserire la nuova lama, la rondella e il bullone seguendo gli stessi passaggi in ordine inverso.

PROTEZIONE AMBIENTALE

Ricicla le materie prime invece di smaltirle come rifiuti. La macchina, gli accessori e l'imballaggio devono essere selezionati per il riciclaggio rispettoso dell'ambiente. I componenti in plastica sono etichettati per il riciclaggio classificato.

Questo prodotto non deve essere smaltito insieme ai rifiuti domestici in conformità alla normativa relativa ai rifiuti di apparecchiature elettriche ed elettroniche. Questo prodotto deve essere smaltito presso un punto di raccolta designato. Ciò può avvenire, ad esempio, consegnandolo presso un punto di raccolta autorizzato per il riciclaggio di apparecchiature elettriche ed elettroniche. La manipolazione impropria dei rifiuti di apparecchiature può avere conseguenze negative per l'ambiente e la salute umana a causa di sostanze potenzialmente pericolose che sono spesso contenute nelle apparecchiature elettriche ed elettroniche. Smaltendo correttamente questo prodotto, contribuisce anche all'uso efficace delle risorse naturali.

È possibile ottenere informazioni sui punti di raccolta delle apparecchiature di scarto dall'amministrazione comunale, dall'autorità pubblica per lo smaltimento dei rifiuti, da un ente autorizzato per lo smaltimento dei rifiuti di apparecchiature elettriche ed elettroniche o dalla società di smaltimento dei rifiuti.

GARANZIA

Questo prodotto è garantito in conformità con le normative legali / specifiche del paese, in vigore dalla data di acquisto da parte del primo utente. I danni attribuibili alla normale usura, sovraccarico o uso improprio saranno esclusi dalla garanzia. In caso di reclamo, inviare la macchina, completamente assemblata, al proprio rivenditore o al centro di assistenza ufficiale.

ΕΛΛΗΝΙΚΑ**ΓΕΝΙΚΕΣ ΠΡΟΕΙΔΟΠΟΙΗΣΕΙΣ ΑΣΦΑΛΕΙΑΣ**

Διαβάστε όλες τις υποδείξεις ασφαλείας και τις οδηγίες. Αμέλειες κατά την τήρηση των υποδείξεων ασφαλείας και των οδηγιών μπορεί να προκαλέσουν ηλεκτροπληξία, πυρκαγιά ή/και σοβαρούς τραυματισμούς. Φυλάξτε όλες τις προειδοποιητικές υποδείξεις και οδηγίες για κάθε μελλοντική χρήση. Ο ορισμός «Ηλεκτρικό εργαλείο» που χρησιμοποιείται στις προειδοποιητικές υποδείξεις αναφέρεται σε ηλεκτρικά εργαλεία που τροφοδοτούνται από το ηλεκτρικό δίκτυο (με ηλεκτρικό καλώδιο) καθώς και σε ηλεκτρικά εργαλεία που τροφοδοτούνται από μπαταρία (χωρίς ηλεκτρικό καλώδιο).

ΑΣΦΑΛΕΙΑ ΣΤΟ ΧΩΡΟ ΕΡΓΑΣΙΑΣ

Διατηρήστε τον τομέα που εργάζεσθε καθαρό και καλά φωτισμένο. Αταξία ή σκοτεινές περιοχές εργασίας μπορεί να οδηγήσουν σε ατυχήματα.

Μην εργάζεσθε με το ηλεκτρικό εργαλείο σε περιβάλλον όπου υπάρχει κίνδυνος έκρηξης, στο οποίο υπάρχουν εύφλεκτα υγρά, αέρια ή σκόνες. Τα ηλεκτρικά εργαλεία δημιουργούν σπινθηρισμό ο οποίος μπορεί να αναφλέξει τη σκόνη ή τις αναθυμιάσεις.

Όταν χρησιμοποιείτε το ηλεκτρικό εργαλείο κρατάτε μακριά απ' αυτό τα παιδιά κι άλλα τυχόν παρευρισκόμενα άτομα. Σε περίπτωση απόσπασης της προσοχής σας μπορεί να χάσετε τον έλεγχο του μηχανήματος.

ΗΛΕΚΤΡΙΚΗ ΑΣΦΑΛΕΙΑ

Το φως του ηλεκτρικού εργαλείου πρέπει να ταιριάζει στην πρίζα. Δεν επιτρέπεται με κανέναν τρόπο η μετατροπή του φως. Μην χρησιμοποιείτε προσαρμοστικά φως σε συνδυασμό με γειωμένα ηλεκτρικά εργαλεία. Αμεταποίητα φως και κατάλληλες πρίζες μειώνουν τον κίνδυνο ηλεκτροπληξίας.

Αποφεύγετε την επαφή του σώματός σας με γειωμένες επιφάνειες όπως σωληνές, θερμαντικά σώματα (καλοριφέρ), κουζίνες ή ψυγεία. Όταν το σώμα σας είναι γειωμένο αυξάνεται ο κίνδυνος ηλεκτροπληξίας.

Μην εκθέτετε τα μηχανήματα στη βροχή ή την υγρασία. Η διείσδυση νερού σ' ένα ηλεκτρικό εργαλείο αυξάνει τον κίνδυνο ηλεκτροπληξίας.

Μην χρησιμοποιείτε το ηλεκτρικό καλώδιο για να μεταφέρετε ή να αναρτήσετε το ηλεκτρικό εργαλείο, ή για να βγάλετε το φως από την πρίζα.

Κρατάτε το ηλεκτρικό καλώδιο μακριά από υπερβολικές θερμοκρασίες, κοφτερές ακμές και/ή από κινητά εξαρτήματα. Τυχόν χαλασμένα ή περιπλεγμένα ηλεκτρικά καλώδια αυξάνουν τον κίνδυνο ηλεκτροπληξίας.

Όταν εργάζεσθε μ' ένα ηλεκτρικό εργαλείο στο ύπαιθρο να χρησιμοποιείτε καλώδια επιμήκυνσης (μπαλαντέζες) που είναι κατάλληλα και για χρήση στο ύπαιθρο. Η χρήση καλωδίων επιμήκυνσης κατάλληλων για υπαίθριους χώρους ελαττώνει τον κίνδυνο ηλεκτροπληξίας.

Όταν η χρήση του ηλεκτρικού εργαλείου σε

υγρά περιβάλλον είναι αναπόφευκτη, τότε χρησιμοποιήστε έναν προστατευτικό διακόπτη διαρροής (διακόπτη FI/RCD). Η χρήση ενός προστατευτικού διακόπτη διαρροής ελαττώνει τον κίνδυνο ηλεκτροπληξίας.

ΑΣΦΑΛΕΙΑ ΠΡΟΣΩΠΩΝ

Να είστε πάντοτε προσεκτικός/προσεκτική, να δίνετε προσοχή στην εργασία που κάνετε και να χειρίζεστε το μηχάνημα με περίσκεψη. Μη χρησιμοποιήσετε ένα ηλεκτρικό εργαλείο όταν είστε κουρασμένος/κουρασμένη ή όταν βρίσκεστε υπό την επίδραση ναρκωτικών, οινοπνεύματος ή φαρμάκων. Μια στιγμήα απόρροια κατά το χειρισμό του ηλεκτρικού εργαλείου μπορεί να οδηγήσει σε σοβαρούς τραυματισμούς.

Φοράτε έναν κατάλληλο για σας προστατευτικό εξοπλισμό και πάντοτε προστατευτικά γυαλιά. Όταν φοράτε έναν κατάλληλο προστατευτικό εξοπλισμό όπως μάσκα προστασίας από σκόνη, αντιολισθητικά υποδήματα ασφαλείας, προστατευτικό κράνος ή ωασιπίδες, ανάλογα με το εκάστοτε εργαλείο και την χρήση του, ελαττώνεται ο κίνδυνος τραυματισμών.

Αποφύγετε την αθέλητη εκκίνηση. Βεβαιωθείτε ότι το ηλεκτρικό εργαλείο έχει αποσυντεθεί πριν το συνδέσετε με το ηλεκτρικό δίκτυο ή με την μπαταρία καθώς και πριν το παραλάβετε ή το μεταφέρετε. Όταν μεταφέρετε το ηλεκτρικό εργαλείο έχοντας το δάχτυλό σας στο διακόπτη ή όταν συνδέσετε το μηχάνημα με την πηγή ρεύματος όταν αυτό είναι ακόμη στη θέση ON, τότε δημιουργείται κίνδυνος τραυματισμών.

Αφαιρείτε από τα ηλεκτρικά εργαλεία τυχόν συναρμολογημένα εργαλεία ρύθμισης ή κλειδιά πριν θέσετε το ηλεκτρικό εργαλείο σε λειτουργία. Ένα εργαλείο ή κλειδί συναρμολογημένο σ' ένα περιστρεφόμενο τμήμα ενός μηχανήματος μπορεί να οδηγήσει σε τραυματισμούς.

Μην υπερεκτιμάτε τον εαυτό σας. Φροντίζετε για την ασφαλή στάση του σώματός σας και διατηρείτε πάντοτε την ισορροπία σας. Έτσι μπορείτε να ελέγξετε καλύτερα το μηχάνημα σε περιπτώσεις απροσδόκτων περιστάσεων.

Φοράτε κατάλληλα ενδύματα. Μη φοράτε φαρδιά ρούχα ή κοσμήματα. Κρατάτε τα μαλλιά σας, τα ρούχα σας και τα γάντια σας μακριά από κινούμενα εξαρτήματα. Χαλαρή ενδυμασία, κοσμήματα ή μακριά μαλλιά μπορεί να εμπλακούν στα κινούμενα εξαρτήματα.

Όταν υπάρχει η δυνατότητα συναρμολόγησης διατάξεων αναρρόφησης ή συλλογής σκόνης, βεβαιωθείτε ότι αυτές είναι συνδεδεμένες με το μηχάνημα καθώς και ότι χρησιμοποιούνται σωστά. Η χρήση μιας αναρρόφησης σκόνης μπορεί να ελαττώσει τον κίνδυνο που προκαλείται από τη σκόνη.

ΕΠΙΜΕΛΗΣ ΧΕΙΡΙΣΜΟΣ ΚΑΙ ΧΡΗΣΗ ΗΛΕΚΤΡΙΚΩΝ ΕΡΓΑΛΕΙΩΝ

Μην υπερφορτώνετε το μηχάνημα. Χρησιμοποιείτε για την εκάστοτε εργασία το ηλεκτρικό εργαλείο που προορίζεται γι' αυτήν. Με το κατάλληλο ηλεκτρικό εργαλείο εργάζεστε

καλύτερα και ασφαλέστερα στην αναφερόμενη περιοχή ισχύος.

Μη χρησιμοποιήσετε ποτέ ένα μηχάνημα που έχει χαλασμένο διακόπτη. Ένα ηλεκτρικό εργαλείο που δεν μπορεί πλέον να το θέσετε σε λειτουργία και/ή εκτός λειτουργίας είναι επικίνδυνο και πρέπει να επισκευαστεί.

Βγάλετε το φις από την πρίζα και/ή αφαιρέστε την μπαταρία πριν διεξάγετε στο μηχάνημα μια οποιαδήποτε εργασία ρύθμισης, πριν αλλάξετε ένα εξάρτημα ή όταν πρόκειται να διαφυλάξετε ένα αποθηκεύσετε το μηχάνημα. Αυτά τα προληπτικά μέτρα ασφαλείας μειώνουν τον κίνδυνο από τυχόν αθέλητη εκκίνηση του ηλεκτρικού εργαλείου.

Διαφυλάγετε τα ηλεκτρικά εργαλεία που δε χρησιμοποιείτε μακριά από παιδιά. Μην επιτρέψετε τη χρήση του μηχανήματος σε άτομα που δεν είναι εξοικειωμένα μ' αυτό ή δεν έχουν διαβάσει τις παρούσες οδηγίες. Τα ηλεκτρικά εργαλεία είναι επικίνδυνα όταν χρησιμοποιούνται από μη έμπειρα πρόσωπα.

Να περιποιείστε προσεκτικά το ηλεκτρικό εργαλείο. Ελέγχετε, αν τα κινούμενα μέρη λειτουργούν άψογα, χωρίς να μπλοκάρουν, ή μήπως έχουν σπάσει ή φθαρεί τυχόν μέρη τα οποία επηρεάζουν τον τρόπο λειτουργίας του ηλεκτρικού εργαλείου. Δώστε το χαλασμένο ηλεκτρικό εργαλείο για επισκευή πριν το ξαναχρησιμοποιήσετε. Η κακή συντήρηση των ηλεκτρικών εργαλείων αποτελεί αιτία πολλών ατυχημάτων.

Διατηρείτε τα εξαρτήματα κοπής κοφτερά και καθαρά. Προσεκτικά συντηρημένα κοπτικά εξαρτήματα σφηνώνουν δυσκολότερα και οδηγούνται ευκολότερα.

Χρησιμοποιείτε τα ηλεκτρικά εργαλεία, εξαρτήματα, παρελκόμενα εργαλεία κτλ. σύμφωνα με τις παρούσες οδηγίες. Λαμβάνετε επίσης υπόψη σας τις εκάστοτε συνθήκες και την υπό εκτέλεση εργασία. Η χρησιμοποίηση των ηλεκτρικών εργαλείων για εργασίες που δεν προβλέπονται γι' αυτά μπορεί να δημιουργήσει επικίνδυνες καταστάσεις.

SERVICE

Δώστε το ηλεκτρικό εργαλείο σας για επισκευή από άριστα εκπαιδευμένο προσωπικό και με γνήσια ανταλλακτικά. Έτσι εξασφαλίζετε τη διατήρηση της ασφάλειας του μηχανήματος.

ΠΡΟΕΙΔΟΠΟΙΗΣΕΙΣ ΑΣΦΑΛΕΙΑΣ ΧΛΟΟΚΟΠΤΙΚΟΥ ΜΗΧΑΝΗΜΑΤΟΣ

Να μην επιτρέψετε ποτέ σε παιδιά ή σε άτομα που δεν είναι εξοικειωμένα με τις παρούσες οδηγίες να χρησιμοποιήσουν το μηχάνημα κήπου. Εθνικές διατάξεις μπορεί να περιορίζουν ενδεχομένως την ηλικία του χειριστή. Να διαφυλάγετε/αποθηκεύετε το μηχάνημα κήπου απρόσιτο στα παιδιά όταν δεν το χρησιμοποιείτε.

Αυτό το μηχάνημα κήπου δεν προορίζεται για χρήση από πρόσωπα (συμπεριλαμβανομένων και των παιδιών) με περιορισμένες φυσικές, αισθητήριες ή πνευματικές ικανότητες ή με

ελλιπή εμπειρία ή/και ελλείψεις γνώσεις, εκτός αν εμποτεύονται από ένα αρμόδιο για την ασφάλειά τους πρόσωπο ή παίρνον οδηγίες από το άτομο αυτό, πως πρέπει να χειρίζονται το μηχάνημα κήπου. Τα παιδιά θα πρέπει να επιτηρούνται για να εξασφαλιστεί ότι δεν θα παίξουν με το μηχάνημα κήπου.

Μην εργαστείτε ποτέ με το μηχάνημα κήπου όταν βρίσκονται άμεσα κοντά άλλα άτομα, ιδιαίτερα παιδιά ή οικιακά ζώα.

Ο χειριστής ή ο χρήστης ευθύνονται για τυχόν ατυχήματα ή ζημιές σε ανθρώπους ή την περιουσία τους.

Μην χρησιμοποιείτε το μηχάνημα κήπου όταν είστε ξυπόλητοι ή όταν φοράτε ανοιχτά σανδάλια. Να φοράτε πάντοτε στερεά παπούτσια και μακριά παντελόνια.

Να επιθεωρείτε την υπό επεξεργασία επιφάνεια προσεκτικά και να απομακρύνετε τυχόν πέτρες, ράβδους, σύρματα, κόκαλα και κάθε άλλο ξένο αντικείμενο.

Πριν τη χρήση του μηχανήματος κήπου να ελέγχετε πάντοτε, μήπως έχουν φθαρεί ή χαλάσει τα μαχαίρια, οι βίδες των μαχαiriών και το σετ κοπής. Να μην αντικαθιστάτε τα χαλασμένα ή φθαρμένα μαχαίρια, καθώς και τις βίδες τους με μονομηνά αλλά να αλλάζετε ολόκληρο το σετ. Έτσι αποφεύγονται οι κραδασμοί.

Να εργάζεστε πάντοτε υπό το φως της ημέρας ή υπό καλό τεχνητό φως.

Μην εργάζεστε με το χλοοκοπτικό όταν ο καιρός είναι άσχημος, ιδιαίτερα όταν επικείται καταιγίδα. Μην εργαστείτε με το μηχάνημα κήπου όταν το χορτάρι είναι υγρό.

Να προχωράτε πάντοτε με ησυχία, χωρίς να τρέχετε.

Μην εργαστείτε με το μηχάνημα κήπου με χαλασμένες προστατευτικές διατάξεις, καλύπτρες ή διατάξεις ασφαλείας, π.χ. χωρίς αποκρουστήρα ή/και συλλέκτη χόρτου.

► Να φοράτε ωταπίδες.

► Η εργασία σε κατηγορίες μπορεί να καταστεί επικίνδυνη.

► Να μη κόβετε σε ιδιαίτερα απότομες κατηγορίες.

► Όταν εργάζεστε σε επικλινείς επιφάνειες ή επάνω σε υγρό γρασιδί να φροντίζετε για την ασφαλή στάση του σώματός σας.

Όταν εργάζεστε σε επικλινείς επιφάνειες να κόβετε πάντοτε εγκάρσια (οριζόντια) και ποτέ προς τα πάνω και/ή προς τα κάτω.

Να δίνετε ιδιαίτερη προσοχή όταν αλλάζετε κατεύθυνση στις επικλινείς επιφάνειες.

Να είστε ιδιαίτερα προσεκτικός/προσεκτική όταν εργάζεστε με το μηχάνημα κήπου βαδίζοντας προς τα πίσω ή όταν το τραβάτε.

Όταν κόβετε να ωθείτε το μηχάνημα κήπου πάντοτε προς τα μπροστά και να μην το τραβάτε ποτέ προς το σώμα σας.

Τα μαχαίρια πρέπει να είναι ακίνητα όταν γέρνετε το μηχάνημα κήπου για να το μεταφέρετε, όταν το περνάτε πάνω από επιφάνειες που δεν έχουν χορτάρι καθώς και όταν μεταφέρετε το μηχάνημα κήπου από τη μια υπό κοπή επιφάνεια στην άλλη. Να μην γέρνετε το μηχάνημα κήπου όταν

ξεκινάτε ή όταν βάζετε εμπρός τον κινητήρα, εκτός αν αυτό είναι απαραίτητο για την εκκίνηση επειδή το χορτάρι έχει μεγάλο ύψος. Σε μια τέτοια περίπτωση ανασηκώστε, μόνο όσο είναι απαραίτητο, την πλευρά που βρίσκεται αντίθετα από το χειριστή πατώντας τη χειρολαβή προς τα κάτω.

Να θέτετε το μηχάνημα κήπου σε λειτουργία όπως περιγράφεται στις οδηγίες χρήσης και να προσέχετε, τα πόδια σας να βρίσκονται σε επαρκή απόσταση από τα περιστρεφόμενα εξαρτήματα.

Να μην βάζετε τα χέρια σας και τα πόδια σας κοντά σε ή κάτω από περιστρεφόμενα εξαρτήματα.

Όταν εργάζεστε με το μηχάνημα κήπου να κρατάτε απόσταση από τη ζώνη απόρριψης.

Μην ανασηκώσετε και μη μεταφέρετε ποτέ το μηχάνημα κήπου όταν ο κινητήρας του λειτουργεί.

Να μην προβαίνετε σε μετατροπές στο μηχάνημα κήπου. Μη εγκεκριμένες μετατροπές μπορεί να επηρεάσουν αρνητικά την ασφάλεια του μηχανήματος κήπου και προκαλέσουν αύξηση των κραδασμών.

Να ελέγχετε τακτικά το ηλεκτρικό καλώδιο και, αν φυσικά χρησιμοποιείτε, το καλώδιο επιμήκυνσης. Μη συνδέσετε στο δίκτυο ένα χαλασμένο καλώδιο και μην το αγγίξετε πριν διακόψετε την τροφοδοσία του από το ηλεκτρικό δίκτυο. Ένα χαλασμένο καλώδιο μπορεί να αγγίξει υπό τάση ευρισκόμενα εξαρτήματα. Προστατευτείτε από τους κινδύνους εξαιτίας ηλεκτροπληξίας.

ΝΑ ΒΓΑΖΕΤΕ ΤΟ ΦΙΣ ΑΠΟ ΤΗΝ ΠΡΙΖΑ ΔΙΚΤΥΟΥ

Όταν αφήνετε το μηχάνημα κήπου ανεπιτήρητο.

Όταν εξουδετερώνετε τυχόν μπλοκαρίσματα.

Όταν ελέγχετε ή καθαρίζετε το μηχάνημα κήπου ή διεξάγετε κάποια εργασία σ' αυτό.

Όταν το μηχάνημα κήπου προσκρούσει σε κάποιο ξένο αντικείμενο. Ελέγξτε αμέσως μήπως το μηχάνημα κήπου παρουσιάζει ζημιές ή βλάβες και, αν χρειαστεί, δώστε το για επισκευή.

Όταν το μηχάνημα κήπου αρχίζει να δονείται ασυνήθιστα (ελέγξτε το αμέσως).

ΣΥΝΔΕΣΗ ΜΕ ΤΗΝ ΠΑΡΟΧΗ ΡΕΥΜΑΤΟΣ

Βεβαιωθείτε ότι οι πληροφορίες τροφοδοσίας στην πινακίδα του μηχανήματος είναι συμβατές με την τροφοδοσία ρεύματος στην οποία σκοπεύετε να το συνδέσετε.

Αυτή η συσκευή είναι Κλάσης II και έχει σχεδιαστεί για σύνδεση με παροχή ρεύματος που ταιριάζει με αυτή που αναγράφεται στην πινακίδα και είναι συμβατή με την πρίζα. Εάν απαιτείται καλώδιο επέκτασης, χρησιμοποιήστε ένα εγκεκριμένο και συμβατό καλώδιο για αυτή τη συσκευή. Ακολουθήστε όλες τις οδηγίες που παρέχονται με το καλώδιο επέκτασης.

ΟΔΗΓΙΕΣ ΧΡΗΣΗΣ ΚΑΛΩΔΙΟΥ ΕΠΕΚΤΑΣΗΣ

Σιγουρευτείτε ότι το καλώδιο επέκτασης σας είναι σε καλή κατάσταση. Όταν χρησιμοποιείτε ένα καλώδιο επέκτασης, επιβεβαιώστε ότι είναι αρκετά δυνατό στο να σηκώσει το ρεύμα που χρειάζεται το εργαλείο σας. Ένα

μικρότερο καλώδιο θα προκαλέσει πτώση της τάσης με αποτέλεσμα την απώλεια ισχύος και υπερθέρμανση.

Βεβαιωθείτε ότι το καλώδιο επέκτασης είναι σωστά συνδεδεμένο. Να το αντικαθιστάτε πάντα αν είναι κατεστραμμένο ή να το επισκευάζετε από ειδικευμένο άτομο πριν το χρησιμοποιήσετε.

Προστατεύστε το καλώδιο επέκτασης από αιχμηρά αντικείμενα, υπερβολική θερμότητα, υγρασία και βρεγμένες περιοχές.

Χρησιμοποιήστε ένα ξεχωριστό ηλεκτρικό κύκλωμα για τα εργαλεία σας. Αυτό το κύκλωμα πρέπει να προστατεύεται με την κατάλληλη ασφάλεια με χρονική καθυστέρηση. Πριν συνδέσετε τον ηλεκτροκινητήρα στη γραμμή ηλεκτρικού ρεύματος, βεβαιωθείτε ότι ο διακόπτης είναι στη θέση OFF και ότι η ηλεκτρική τάση είναι ίδια με την τάση που έχει επισημανθεί στην πινακίδα του κινητήρα. Η λειτουργία σε χαμηλότερη τάση θα προκαλέσει βλάβη στον κινητήρα.

ΠΡΟΔΙΑΓΡΑΦΕΣ ΠΡΟΪΟΝΤΟΣ

ΕΝΔΕΔΕΙΓΜΕΝΗ ΧΡΗΣΗ

Αυτή η χλοοκοπτική μηχανή προορίζεται για ιδιωτική οικιακή χρήση για την κοπή γρασιδιού σε μικρούς κλοσάπητες και κήπους. Μην χρησιμοποιείτε αυτή την χλοοκοπτική μηχανή για οποιαδήποτε εφαρμογή εκτός από εκείνη για την οποία προορίζεται.

ΤΕΧΝΙΚΑ ΧΑΡΑΚΤΗΡΙΣΤΙΚΑ		
Αριθμός προϊόντος	46 520	
Μοντέλο	ELM 34/1400 PLUS	
Ονομαστική τάση	V	230-240
Ονομαστική συχνότητα	Hz	50
Τύπος πρόωθησης	Ωθούμενη	
Πλάτος κοπής	cm	34
Έυρος ύψους κοπής	mm	25-75 (6 θέσεις)
Τάπα χορτολίπανσης	Ναι	
Ονομαστική ισχύς	W	1.400
Χωρητικότητα κάδου συλλογής	L	35
Διάμετρος εμπρός τροχών	mm	150
Διάμετρος πίσω τροχών	mm	200
Μήκος καλωδίου	cm	35
Επίπεδο δονήσεων (ah)	m/s ²	4,5

ΤΕΧΝΙΚΑ ΧΑΡΑΚΤΗΡΙΣΤΙΚΑ		
Αριθμός προϊόντος	46 520	
Μοντέλο	ELM 34/1400 PLUS	
Αβεβαιότητα (K)	m/s ²	1,5
Επίπεδο ισχύος θορύβου(LwA)	dB(A)	94
Επίπεδο ισχύος θορύβου εγγυημένο (LwA)	dB(A)	95,9
Αβεβαιότητα (K)	dB	1,85
Καθαρό βάρος	kg	13

ΧΑΡΑΚΤΗΡΙΣΤΙΚΑ (Εικ. 1)

- Μοχλός διακόπτη ON/OFF
- Επάνω χειρολαβή
- Άγκιστρο ασφάλισης καλωδίου επέκτασης
- Καλώδιο συσκευής
- Λαβή κάδου συλλογής
- Κάδος συλλογής
- Κάτω μοχλός ταχείας απελευθέρωσης
- Πίσω τροχός
- Εμπρός τροχός
- Μοχλός
- Κάτω χειρολαβή
- Άνω μοχλός ταχείας απελευθέρωσης
- Ασφάλεια καλωδίου
- Κουτί διακόπτη
- Διακόπτης ασφαλείας

ΣΥΝΑΡΜΟΛΟΓΗΣΗ

ΣΥΝΑΡΜΟΛΟΓΗΣΗ ΧΕΙΡΟΛΑΒΗΣ

- Σε κάθε πλευρά του χλοοκοπτικού, τοποθετήστε τον προσαρμογέα στη θέση του στο κυρίως σώμα της λαβής, τοποθετήστε την κάτω λαβή στην αυλή του προσαρμογέα και ασφαλίστε σφίγκοντας χρησιμοποιώντας το μπουλόνι, τη ροδέλα και το μοχλό ταχείας απελευθέρωσης (Εικ. 2).
- Τοποθετήστε το άνω μέρος της λαβής στη θέση του και ασφαλίστε χρησιμοποιώντας το μπουλόνι, τη ροδέλα και το μοχλό ταχείας απελευθέρωσης (Εικ. 3).

ΣΗΜΕΙΩΣΗ

Όπου διατίθεται, φροντίστε να τοποθετήσετε το άγκιστρο συγκράτησης του καλωδίου επέκτασης (Εικ. 1.3) στη θέση του στην πάνω λαβή πριν από το βήμα "2".

ΣΥΝΑΡΜΟΛΟΓΗΣΗ ΚΑΙ ΤΟΠΟΘΕΤΗΣΗ ΚΑΔΟΥ ΣΥΛΛΟΓΗΣ

Ο συλλέκτης γρασιδιού (Εικ. 1.6) αποτρέπει την απομάκρυνση των κομματιών του γρασιδιού σε όλο το γκαζόν καθώς κουρεύετε.

1. Εισαγάγετε τη λαβή του κάδου συλλογής (Εικ. 4.1) στις οπές στο πάνω μέρος του συλλέκτη γρασιδιού (Εικ. 4.2) μέχρι να ασφαλίσει στη θέση του.
2. Ευθυγραμμίστε τα άνω και κάτω τμήματα κάδου συλλογής και ενώστε τα μεταξύ τους. Βεβαιωθείτε ότι τα κλιπ βρίσκονται σωστά και με ασφαλώς στη θέση τους.

ΣΗΜΕΙΩΣΗ

Για μοντέλα με πλαστικό κάτω μέρος, ενώστε εκ των προτέρων την αριστερή και τη δεξιά πλευρά μαζί σε ένα κομμάτι (Εικ. 4.3).

3. Σηκώστε το κλείστρο οπίσθιας εκτόξευσης με το ένα χέρι. Με το άλλο χέρι κρατήστε τον κάδο συλλογής από τη λαβή και τοποθετήστε τον στις εγκοπές του από πάνω (Εικ. 5).

ΛΕΙΤΟΥΡΓΙΑ

ΠΡΟΕΙΔΟΠΟΙΗΣΗ

Πριν συνδέσετε την παροχή ρεύματος, ελέγξτε πάντα ότι ο διακόπτης βρίσκεται στη θέση απενεργοποίησης!

ΣΥΓΚΡΑΤΗΣΗ ΚΑΛΩΔΙΟΥ

Συνιστούμε να χρησιμοποιήσετε το κλοοκοπτικό σας όπως περιγράφεται σε αυτή την ενότητα για να επιτύχετε τα βέλτιστα αποτελέσματα και να μειώσετε τον κίνδυνο κοπής του καλωδίου ρεύματος. Τοποθετήστε το μεγαλύτερο μέρος του καλωδίου στο γκαζόν, κοντά στο σημείο εκκίνησης. Περάστε το καλώδιο μέσω του συστήματος συγκράτησης καλωδίων (Εικ. 1.3).

ΠΡΟΣΑΡΜΟΓΗ ΎΨΟΥΣ ΚΟΠΗΣ

Αυτή η ηλεκτρική κλοοκοπτική μηχανή είναι εξοπλισμένη με σύστημα ρύθμισης ύψους 6 θέσεων για να προσαρμόζεται το ύψος κοπής χορταριού από 25 έως 75mm. Για να θέσετε το επιθυμητό ύψος κοπής, οι μπροστινοί και οι πίσω άξονες επανατοποθετούνται στην κάτω πλευρά του σώματος του κλοοκοπτικού. Ρυθμίστε τη λαβή ρύθμισης ύψους (Εικ. 1.10). στο επιθυμητό ύψος.

ΕΚΚΙΝΗΣΗ ΤΟΥ ΚΙΝΗΤΗΡΑ

1. Συνδέστε το μηχανήμα στην παροχή ρεύματος, διασφαλίζοντας ότι εναρμονίζεται στις προτεινόμενες απαιτήσεις. Η ηλεκτρική ισχύς πρέπει να τροφοδοτείται μέσω συνεχούς ρεύματος (RCD) με ρεύμα ενεργοποίησης που δεν υπερβαίνει τα 30 mA.
2. Πριν από την εκκίνηση του κλοοκοπτικού, κρατήστε τη χειρολαβή και με τα δύο χέρια και γυρίστε τη λαβή προς τα κάτω για να σηκώσετε ελαφρά το μπροστινό μέρος του κλοοκοπτικού (Εικ. 6). Αυτό θα μειώσει τον κίνδυνο ζημιάς του γρασιδιού κατά την εκκίνηση.
3. Πατήστε και κρατήστε πατημένο το κουμπί ασφαλείας (Εικ. 1.15) ενώ τραβάτε το μοχλό ενεργοποίησης / απενεργοποίησης (Fig. 1.1). Κρατήστε το μοχλό ενεργοποίησης / απενεργοποίησης προς το μέρος σας. Αφού ενεργοποιηθεί το μηχανήμα, απελευθερώστε το κουμπί ασφαλείας.

4. Αφήστε τον κινητήρα να αποκτήσει ταχύτητα, κατεβάζοντας απαλά το κλοοκοπτικό στη θέση κοπής και αρχίστε την εργασία σας (H).

Τάπα χορτολίπανσης

“Η τάπα χορτολίπανσης πρέπει να χρησιμοποιείται κατά την εργασία της χορτολίπανσης και ποτέ σε συνδυασμό με τον κάδο συλλογής. Αφαιρέστε τον κάδο συλλογής όταν χρησιμοποιείτε την τάπα χορτολίπανσης. Για να εγκαταστήσετε την τάπα χορτολίπανσης, ανασηκώστε το προστατευτικό οπίσθιας εκτόξευσης και σύρετέ τη στη θέση της (Εικ. 8).”

ΑΠΕΝΕΡΓΟΠΟΙΗΣΗ ΤΟΥ ΚΙΝΗΤΗΡΑ

Για να σταματήσετε το κλοοκοπτικό, αφήστε το μοχλό απενεργοποίησης / απενεργοποίησης ο οποίος αυτόματα θα γυρίσει στη θέση εκτός λειτουργίας.

ΕΝΔΕΙΞΗ ΠΛΗΡΟΤΗΤΑΣ ΤΟΥ ΣΥΛΛΕΚΤΗ ΧΟΡΤΟΥ

1. Αν ο συλλέκτης χόρτου είναι άδειος ή δεν είναι τελείως γεμάτος με γρασίδι, το πτερύγιο του δοχείου συλλογής θα παραμείνει ανοικτό (λόγω της ροής του αέρα) ή θα ανοιγοκλείνει καθώς το γρασίδι θα συσσωρεύεται στο συλλέκτη.
2. Όταν ο συλλέκτης χόρτου φτάσει στη μέγιστη χωρητικότητά της, το πτερύγιο του δοχείου συλλογής θα παραμείνει κλειστό (λόγω της περιορισμένης ροής αέρα). Αυτό σημαίνει ότι πρέπει να αδειάσετε το συλλέκτη.

ΣΥΜΒΟΥΛΕΣ ΚΟΥΡΕΜΑΤΟΣ ΓΡΑΣΙΔΙΟΥ (Εικ. 11)

Για καλύτερα αποτελέσματα, κόψτε το γκαζόν σας σε διαφορετικές κατευθύνσεις, αλλάζοντας την κατεύθυνση κάθε φορά που κόβετε. Κόψτε το γκαζόν σας στο ίδιο ύψος. Ξαναπεράστε ελαφρά το κλοοκοπτικό πάνω από τις αρχικές γραμμές κοπής.

ΣΥΝΤΗΡΗΣΗ

ΠΡΟΕΙΔΟΠΟΙΗΣΗ

Πριν από τον καθαρισμό, την επιδιόρθωση ή την επιθεώρηση του κλοοκοπτικού μηχανήματος, αποσυνδέστε την παροχή ρεύματος και βεβαιωθείτε ότι όλα τα κινούμενα μέρη έχουν σταματήσει τελείως.

ΓΕΝΙΚΑ

Διατηρείτε πάντα το κλοοκοπτικό καθαρό και απαλλαγμένο από γρασίδι, βρωμιά ή άλλα υπολείμματα κοπής.

Κρατήστε τις χειρολαβές στεγνές, καθαρές και απαλλαγμένες από λάδια και λίπη.

Μετά από κάθε χρήση, αφαιρέστε τα συσσωρευμένα υπολείμματα γρασιδιού και κοπής χρησιμοποιώντας είτε ένα στεγνό πανί είτε πινέλο. Μπορείτε επίσης να καθαρίσετε την κλοοκοπτική μηχανή με ένα υγρό πανί. Μη χρησιμοποιείτε καθαριστικά ή άλλα χημικά, καθώς ενδέχεται να προκαλέσουν ζημιά στα πλαστικά εξαρτήματα του εξοπλισμού. Βεβαιωθείτε ότι δεν εισχωρεί νερό στο

εσωτερικό του εξοπλισμού καθώς η εισροή νερού μπορεί να καταστρέψει τον μηχανισμό διακοπών / βύσματος και τον ηλεκτροκινητήρα. Μην καθαρίζετε το χλοοκοπτικό με τρεχούμενο νερό, ιδιαίτερα με νερό υψηλής πίεσης.

Ελέγξτε όλα τα παζιμάδια, τα μπουλόνια και τις βίδες για σωστή στεγανότητα πριν από κάθε χρήση.

Ελέγχετε συχνά το συλλέκτη γρασιδιού για σημάδια φθοράς και αντικαταστήστε αμέσως με ένα νηΐσιο εξάρτημα εάν βρεθεί ζημιά.

Αντικαταστήστε αμέσως τα μέρη που έχουν φθαρεί ή έχουν υποστεί ζημιά.

ΛΙΠΑΝΣΗ

Όλα τα ρουλεμάν σε αυτό το προϊόν λιπαινούνται με επαρκή ποσότητα λιπαντικών υψηλής ποιότητας για όλη την διάρκεια ζωής του χλοοκοπτικού υπό κανονικές συνθήκες λειτουργίας. Συνεπώς, δεν απαιτείται περαιτέρω λίπανση των ρουλεμάν.

Πριν και μετά από κάθε εποχή χορτοκοπή

- ▶ Λιπάνετε τα ελατήρια στην πίσω πλευρά του πτερυγίου του συλλέκτη χόρτου με λάδι ελαφριάς πυκνότητας.
- ▶ Αφαιρέστε τη λεπίδα και τη διάταξη του στροφείου της λεπίδας και λιπάνετε τον άξονα του κινητήρα με χαμηλής πυκνότητας λάδι ή λάδι κινητήρα. Ανατρέξτε στην ενότητα «Αντικατάσταση λεπίδας» για οδηγίες.

ΣΥΝΤΗΡΗΣΗ ΛΕΠΙΔΑΣ ΣΗΜΑΝΤΙΚΟ

Η λεπίδα του χλοοκοπτικού είναι αιχμηρή και μπορεί να προκαλέσει σοβαρό τραυματισμό εάν χρησιμοποιηθεί εσφαλμένα. Τυλίξτε τη λεπίδα ή φορέστε προστατευτικά γάντια και προσέξτε ιδιαίτερα όταν την χειρίζεστε.

Η χαλύβδινη λεπίδα έχει σχεδιαστεί για να παρέχει μια λεπτή κοπή σε μακρό ή σκληρό χόρτο. Η υποβάθμιση της ποιότητας της κοπής υποδηλώνει φθορά ή ζημιά της λεπίδας.

ΠΡΟΕΙΔΟΠΟΙΗΣΗ

Ένα χλοοκοπτικό με υπερβολική δόνηση δείχνει ότι η λεπίδα δεν είναι σωστά ισορροπημένη ή έχει παραμορφωθεί από το χτύπημα ενός αντικειμένου. Σε αυτή την περίπτωση, η λεπίδα πρέπει να επισκευαστεί ή να αντικατασταθεί. Ακολουθήστε τις κατάλληλες διαδικασίες συντήρησης για τη φροντίδα των λεπίδων ή καλέστε το εξουσιοδοτημένο service.

ΑΝΤΙΚΑΤΑΣΤΑΣΗ ΛΕΠΙΔΑΣ (Εικ. 12)

ΠΡΟΕΙΔΟΠΟΙΗΣΗ

Φορέστε εξειδικευμένα, επαγγελματικά γάντια όταν χειρίζεστε τη λεπίδα.

ΣΗΜΑΝΤΙΚΟ

Χρησιμοποιείτε μόνο αυθεντικά ανταλλακτικά που έχουν καθοριστεί για αυτή τη χλοοκοπτική μηχανή.

1. Αποσυνδέστε την παροχή ηλεκτρικού ρεύματος από τη χλοοκοπτική μηχανή.
2. Γυρίστε το χλοοκοπτικό στο πλάι για να αποκαλύψετε την κάτω πλευρά του περιβλήματος της λεπίδας.
3. Φορέστε εξειδικευμένα, επαγγελματικά

γάντια ή χρησιμοποιήστε ένα πανί για να κρατήσετε τη λεπίδα.

4. Για να αφαιρέσετε τη βίδα της λεπίδας (Εικ. 12.1), κρατήστε σταθερά τη λεπίδα με το ένα χέρι και χρησιμοποιήστε ένα κλειδί (Εικ. 12.2) για να χαλαρώσετε τη βίδα της λεπίδας, γυρίζοντας το αριστερόστροφα.
5. Τοποθετήστε τη νέα λεπίδα, τη ροδέλα και τη βίδα ακολουθώντας τα ίδια βήματα με αντίστροφη σειρά.

ΠΡΟΣΤΑΣΙΑ ΤΟΥ ΠΕΡΙΒΑΛΛΟΝΤΟΣ

Ανακυκλώστε τις πρώτες ύλες αντί να τις απορρίψετε. Το μηχανήμα, τα αξεσουάρ και οι συσκευασίες πρέπει να ταξινομούνται για φιλική προς το περιβάλλον ανακύκλωση. Τα πλαστικά εξαρτήματα επισμαίνονται για κατηγοριοποιημένη ανακύκλωση.

Αυτό το προϊόν δεν πρέπει να απορρίπτεται μαζί με οικιακά απόβλητα σύμφωνα με τη σχετική νομοθεσία που αναφέρεται σε απόβλητα ηλεκτρικού και ηλεκτρονικού εξοπλισμού. Αυτό το προϊόν πρέπει να απορριφθεί σε καθορισμένο σημείο συλλογής. Αυτό μπορεί να συμβεί, για παράδειγμα, παραδιδοντάς το σε εξουσιοδοτημένο σημείο συλλογής για την ανακύκλωση απορριμμάτων ηλεκτρικού και ηλεκτρονικού εξοπλισμού. Ο ακατάλληλος χειρισμός απορριμμάτων εξοπλισμού μπορεί να έχει αρνητικές συνέπειες για το περιβάλλον και την ανθρώπινη υγεία λόγω δυνητικά επικίνδυνων ουσιών που συχνά περιέχονται σε ηλεκτρικό και ηλεκτρονικό εξοπλισμό. Με τη σωστή απόρριψη αυτού του προϊόντος, συμβάλλετε επίσης στην αποτελεσματική χρήση των φυσικών πόρων.

Μπορείτε να λάβετε πληροφορίες σχετικά με τα σημεία συλλογής απορριμμάτων από τη δημοτική σας διοίκηση, τη δημόσια αρχή διάθεσης απορριμμάτων, έναν εξουσιοδοτημένο φορέα για τη διάθεση απορριμμάτων ηλεκτρικού και ηλεκτρονικού εξοπλισμού ή την εταιρεία διάθεσης αποβλήτων.

ΕΓΓΥΗΣΗ

Αυτό το προϊόν είναι εγγυημένο σύμφωνα με τους νόμους / ειδικούς κανονισμούς ανά χώρα, από την ημερομηνία αγοράς του από τον χρήστη. Ζημιές που οφείλονται σε φυσιολογική φθορά, υπερφόρτωση ή ακατάλληλο χειρισμό θα εξαιρεθούν από την εγγύηση. Σε περίπτωση αξίωσης, στείλτε το μηχανήμα, πλήρως συναρμολογημένο, στον αντιπρόσωπό σας ή στο επίσημο κέντρο σέρβις.

SRPSKI

OPŠTA BEZBEDNOSNA UPOZORENJA

Čitajte sva upozorenja i uputstva. Propusti kod pridržavanja upozorenja i uputstava mogu imati za posledicu električni udar, požar i/ili teške povrede. Čuvajte sva upozorenja i uputstva za budućnost. Pojam upotrebljen u upozorenjima „električni alat“ odnosi se na električne alate sa radom na mreži (sa mrežnim kablom) i na električne alate sa radom na akumulator (bez mrežnog).

SIGURNOST NA RADNOM MESTU

Držite Vaše radno područje čisto i dobro osvetljeno. Nered ili neosvetljena radna područja mogu voditi nesrećama.

Ne radite sa električnim alatom u okolini ugroženoj eksplozijom, u kojoj se nalaze zapaljive tečnosti, gasovi ili prašine. Električni alati prave varnice koje mogu zapaliti prašinu ili isparenja.

Držite podalje decu i druge osobe za vreme korišćenja električnog alata. Prilikom rada možete izgubiti kontrolu nad aparatom.

ELEKTRIČNA SIGURNOST

Priključni utikač električnog alata mora odgovarati utičnici. Utikač nesme nikako da se menja. Ne upotrebljavajte adaptere utikača zajedno sa električnim alatima zaštićenim uzemljenjem. Ne promenjeni utikači i odgovarajuće utičnice smanjuju rizik električnog udara.

Izbegavajte kontakt telom sa uzemljenim površinama kao cevi, grejanja, šporet i rashladni ormani. Postoji povećani rizik od električnog udara ako je Vaše telo uzemljeno.

Držite aparat što dalje od kiše ili vlage. Prodor vode u električni alat povećava rizik od električnog udara.

Ne nosite električni alat za kabl, ne vešajte ga ili ne izvlačite ga iz utičnice. Držite kabl dalje od vreline, ulja, oštarih ivica ili delova aparata koji se pokreću. Oštećeni ili uvrnuti kablovi povećavaju rizik električnog udara.

Ako sa električnim alatom radite u prirodi, upotrebljavajte samo produžne kablove koji su pogodni za spoljnu upotrebu. Upotreba produžnog kabla uzemljenog za spoljnu upotrebu smanjuje rizik od električnog udara.

Ako rad električnog alata ne može da se izbegne u vlažnoj okolini, koristite prekidač strujne zaštite pri kvaru. Upotreba prekidača strujne zaštite pri kvaru smanjuje rizik od električnog udara.

SIGURNOST OSOBLJA

Budite pažljivi, pazite na to, šta radite i idite razumno na posao sa Vašim električnim alatom. Ne koristite električni alat ako ste umorni ili pod uticajem droge, alkohola ili lekova. Momenat nepažnje kod upotrebe električnog alata može voditi ozbiljnim povredama. Nosite ličnu zaštitnu opremu i uvek zaštitne naočare. Nošenje lične zaštitne opreme, kao maske za prašinu, sigurnosne cipele koje ne klizaju, zaštitni šlem ili zaštitu za sluh, zavisno od vrste i upotrebe električnog alata, smanjuju rizik od povreda.

Izbegavajte nenamerno puštanje u rad. Uverite se da je električni alat isključen, pre nego što ga priključite na struju i/ili na akumulator, uzmete ga ili nosite. Ako prilikom nošenja električnog alata držite prst na prekidaču ili aparat uključen priključujete na struju, može ovo voditi nesrećama.

Uklonite alate za podešavanje ili ključeve za zavrtnje, pre nego što uključite električni alat. Neki alat ili ključ koji se nalazi u rotirajućem delu aparata, može voditi nesrećama.

Izbegavajte nenormalno držanje tela. Pobrinute se uvek da stabilno stojite i održavajte u svako doba ravnotežu. Na taj način možete bolje kontrolisati električni alat u neočekivanim situacijama.

Nosite pogodnu odeću. Ne nosite široku odeću ili nakit. Držite kosu, odeću i rukavice dalje od pokretnih delova. Opušteno odelo, dugu kosu ili nakit mogu zahvatiti rotirajući delovi.

Ako mogu da se montiraju uredjaji za usisavanje i skupljanje prašine, uverite se da li su priključeni i upotrebljeni kako treba. Upotreba usisavanja prašine može smanjiti opasnosti od prašine.

BRIŽLJIVA UPOTREBA I OPHODJENJE SA ELEKTRIČNIM ALATIMA

Ne preopterećujte aparat. Upotrebljavajte za Vaš posao električni alat određen za to. Sa odgovarajućim električnim alatom radite bolje i sigurnije u navedenom području rada.

Ne koristite nikakav električni alat čiji je prekidač u kvaru. Električni alat koji se ne može više uključiti ili isključiti, je opasan i mora se popraviti.

Izvučite utikač iz utičnice i/ili uklonite akumulator pre nego što preduzmete podešavanja na aparatu, promenu delova pribora ili ostavite aparat. Ova mera opreza sprečava nenamerni start električnog alata.

Čuvajte nekorišćene električne alate izvan domaće dece. Ne dozvoljavajte korišćenje aparata osobama koje ne poznaju aparat ili nisu pročitale ova uputstva. Električni alati su opasni, kada ih koriste neiskusne osobe.

Održavajte brižljivo električni alat. Kontrolišite da li pokretni delovi aparata besprekorno funkcionišu i ne „lepe“, da li su delovi polomljeni ili su tako oštećeni da je oštećena funkcija električnog alata. Popravite ove oštećene delove pre upotrebe. Mnoge nesreće imaju svoje uzroke u loše održavanim električnim alatima.

Održavajte alate za sečenje oštre i čiste. Brižljivo održavani alati za sečenja sa oštirim ivicama manje „slepljuju“ i lakše se vode.

Upotrebljavajte električni alat, pribor, alate koji se umću itd. prema ovim uputstvima. Obratite pažnju pritom na uslove rada i posao koji morate obaviti. Upotreba električnih alata za druge namene koje nisu predviđene, može voditi opasnim situacijama.

SERVISI

Neka Vam Vaš električni alat popravljiva samo kvalifikovano osoblje i samo sa originalnim rezervnim delovima. Tako se obezbeđuje, da ostane sačuvana sigurnost aparata.

KOSILICA ZA TRAVU BEZBEDNOSNA UPUTSTVA

Nikada decu ili osobama koje nisu upoznate sa ovim uputstvima ne dozvoliti korišćenje baštenskog uređaja. Nacionalni propisi ograničavaju moguće starost radnika. Čuvajte baštenski uređaj da bude za decu nedostupan, kada nije u upotrebi.

Ovaj baštenski uređaj nije zamišljen za to, da ga koriste osobe (uključujući i decu) sa ograničenim fizičkim, umnim ili duševnim sposobnostima ili nedostajućim iskustvom i/ili nedostajućim znanjem, čak ni onda, ako su pod nadzorom osobe koja je nadležna za njihovu sigurnost ili dobijaju od nje uputstva, kako se koristi baštenski uređaj. Decu bi trebalo nadzirati, da biste bili sigurni da se ne igraju sa baštenskim uređajem.

Ne kosite nikada, dok se osoblje, naročito deca ili kućne životinje nalaze u neposrednoj blizini.

Radnik ili korisnik je odgovoran za nesreće ili štete kod drugih ljudi ili na njihovoj imovini.

Baštenski uređaj nemojte da koristite kada ste bos ili ako nosite sandale. Uvek nosite solidne cipele i dugačke pantalone.

Pre rada sa mašinom pažljivo proverite obrađivanu površinu i sklonite kamenje, komade drva, žicu, kosti i ostala strana tela.

Uvek pre upotrebe prekontrolišite, da li su noževi, zavrtnji noževa i konstrukciona grupa za sečenje istrošeni ili oštećeni. Promenite istrošene ili oštećene noževe kao i zavrtnje noževa i to uvek celu garnituru, da bi izbegli debalans.

Kosite samo pri dnevnom svetlu ili dobrom veštačkom svetlu.

Kod loših vremenskih uslova posebno kod nadozace oluje ne radite sa kosačicom za utrinu.

Ako je moguće, baštenski uređaj nemojte da koristite kada je trava mokra.

Uvek sa mašinom hodajte polako, nikada ne žurite. Baštenski uređaj nikada nemojte da koristite ako su neispravni zaštitni uređaji i poklopci, ili ako oni nisu montirani, npr. bez zaštitne od udara i/ili bez korpe za prihvatanje trave.

- ▶ Nosite zaštitu za sluh.
- ▶ Rad na kosinama može biti opasan.
- ▶ Ne koristite posebno strme kosine.
- ▶ Na kosim površinama ili na vlažnoj travi uvek pazite na sigurno hodanje.

Kosite na kosim površinama uvek popreko i nikada gore – dole.

Uvek postupajte oprezno kod promene smeru rada sa mašinom na nagibima..

Posebno budite pažljivi ako se sa baštenskim uređajem krećete unazad ili ako ga vučete za sobom.

Prilikom košenja baštenski uređaj uvek gurajte prema napred i nikada nemojte da ga privlačite prema telu.

Noževi moraju da miruju ako zbog transporta baštenski uređaj morate da nagnete, ako prelazite preko površina na kojima ne raste trava, i kada baštenski uređaj transportujete do ili sa područja za košenje.

Prilikom pokretanja ili uključivanja motora nemojte da nagnete baštenski uređaj, osim ako je to neophodno za pokretanje na visokoj travi. U tom slučaju pritisakanjem drške uređaj podignite prema suprotnoj strani udaljeno od korisnika samo koliko

je to neophodno. Pazite na to da se Vaše ruke nalaze na ručkama kada spuštate baštenski uređaj.

Baštenski uređaj uključite kao što je to opisano u uputstvu za upotrebu i pazite na to da Vaše noge budu dovoljno udaljene od rotirajućih delova.

Vaše ruke i stopala ne stavljajte blizu ili ispod rotacionih delova.

Držite rastojanje do zone pražnjenja kada radite sa baštenskim uređajem.

Nikada ne podižite odnosno nosite baštenski uređaj sa motorom u radu.

Ne preduzimajte nikakve promene na baštenskom uređaju. Nedozvoljene promene mogu oštetiti sigurnost Vašeg baštenskog uređaja i uticati na poželjne šumove i vibracije.

Redovno kontrolišite priključni kabl i upotrebljeni produžni kabl. Ne priključujte oštećeni kabl na strujnu mrežu ili ga ne dodirujte, pre nego što ga odvojite od strujne mreže. Kod oštećenog kabla mogu se dodirnuti delovi koji provode napon. Zaštitite se od opasnosti električnog udara.

MREŽNI UTIKAČ IZVUCITE IZ UTIČNICE

Uvek kada se udaljavate od baštenskog uređaja.

Pre odstranjanja blokada.

Kada kontrolišete baštenski uređaj, čistite ili radite na njemu.

Posle kolizije sa nekim stranim telom. Prekontrolišite baštenski uređaj odmah da li je oštećen i popravite ga ako je potrebno.

Ada baštenski uređaj napredno počne da vibrira (odmah prekontrolisati).

POVEZIVANJE ELEKTRIČNOG NAPAJANJA

Uverite se da se podaci o električnom napajanju na natpisnoj pločici aparata poklapaju sa električnim napajanjem na koje želite da ga povežete.

Ovo je aparat klase II i predviđen je za povezivanje na električno napajanje koje odgovara podacima na natpisnoj pločici i kompatibilno je sa montiranim utikačem. Ako je potreban produžni kabl, koristite odobreni i kompatibilni kabl koji je predviđen za ovaj aparat. Pratite uputstvo koje ste dobili uz produžni kabl.

SMERNICE ZA KORIŠĆENJE PRODUŽNIH KABLOVA

Proverite da li je produžni kabl u dobrom stanju. Prilikom korišćenja produžnog kabla, vodite računa da koristite kabl koji je predviđen za struju koju će vaš proizvod da vuče. Previše slab kabl će dovesti do pada linijskog napona, što dovodi do gubitka snage i pregrevanja.

Uvek zamenite oštećeni produžni kabl ili neka ga popravi kvalifikovana osoba pre korišćenja.

Zaštitite produžne kablove od oštih predmeta, prekomerne toplote i vlažnih/mokrih područja.

Koristite posebno električno kolo za vaše alate. Ovo kolo treba da bude zaštićeno odgovarajućim osiguračem sa vremenskim odlaganjem. Pre povezivanja motora na vod za napajanje, pobrinete se da prekidač bude u položaju ISKLJUČENO i da nominalni električni napon bude isti kao napon utisnut na nazivnoj pločici motora. Rad na niskom naponu će oštetiti motor.

SPECIFIKACIJE PROIZVODA

NAMENA

Ova kosilica za travu je namenjena za privatnu upotrebu u domaćinstvu za košenje trave u manjim travnjacima i baštama. Kosilica za travu se ne sme koristiti za neku drugu primenu od one za koju je predviđena.

TEHNIČKI PODACI		
Broj članka	46 520	
Model	ELM 34/1400 PLUS	
Ocenjen napon	V	230-240
Ocenjena frekvencija	Hz	50
Pogonski sistem	Guraj	
Širina sečenja	cm	34
Opseg visine sečenja	mm	25-75 (6 pozicije)
Utikač za mašč	Da	
Ocenjeno napajanje	W	1.400
Kapacitet travnate kese	L	35
Prečnik prednjeg točka	mm	150
Prečnik zadnjeg točka	mm	200
Dužina kabla	cm	35
Nivo vibracije (ah)	m/s ²	4,5
Neizvesnost (K)	m/s ²	1,5
Nivo napajanja zvuka (LWA)	dB(A)	94
Garantovani nivo napajanja zvuka (LWA)	dB(A)	95,9
Neizvesnost (K)	dB	1,85
Neto težina	kg	13

IDENTIFIKACIJU (SL. 1)

1. Poluga prekidača ON/OFF
2. Gornji regulator
3. Udica za uzdržavanje od produžnog kabla
4. Kabl za aparat
5. Drška kolektora trave
6. Sakupljač trave
7. Donja ručica za brzo oslobađanje
8. Zadnji točak
9. Prednji točak
10. Poluga podešavanja visine

11. Donja drška
12. Gornja ručica za brzo oslobađanje
13. Kablovski klip
14. Polje za prekidač
15. Dugme "Bezbednost"

SKUPŠTINA

RUKOVATI MONTAŽOM

1. Sa svake strane kosilice za travu postavite adapter na poziciju na okvir drške, stavite donju dršku na šumarak adaptera i bezbedno zategnite pomoću šrafa, rača i ručice za brzo oslobađanje (Sl. 2).
2. Postavite gornju dršku na poziciju i bezbedno zategnite koristeći šraf, pranje i ručicu za brzo oslobađanje (Sl. 3).

BELEŠKE:

Za modele sa plastičnim donjim delom spojite pre toga levu i desnu stranu zajedno u jedan komad (Sl. 4.3).

SKLOP SAKUPLJAČA I UKLAPANJA TRAVE

Sakupljač trave (Sl. 1.6) sprečava da se iseći trave bacaju preko vašeg travnjaka dok kosite.

1. Ubacite dršku kolektora trave (Sl. 4.1) u rupe na vrhu kolektora trave (Sl. 4.2) dok ne klikne na poziciju.
2. Poravnajte gornje i donje delove kolektora trave i spojite. Uverite se da su klipovi ispravno i bezbedno locirani.

BELEŠKE:

Za modele sa plastičnim donjim delom spojite pre toga levu i desnu stranu zajedno u jedan komad (Sl. 4.3).

3. Podigni kolekcionarsku zamah jednom rukom. Drugom rukom držite sakupljač trave za dršku i zakačite ga odozgo (Sl. 5).

RAD

UPOZORENJE

Pre povezivanja na mrežno napajanje uvek proverite da li je prekidač u isključenom položaju!

DRŽAČ PRODUŽNOG KABLA

Preporučujemo da kosilicu koristite kao što je opisano u ovom odeljku da biste postigli optimalne rezultate i smanjili rizik od sečenja mrežnog kabla. Stavite snop mrežnog kabla na travnjak, blizu početne tačke. Ubacite kabl kroz držač kabla (Sl. 1.3).

PODEŠAVANJE VISINE SEČENJA

Električna kosilica za travu ima sistem za podešavanje visine sa 6 položaja za prilagođavanje visine sečenja trave od 25 do 75 mm. Da biste dobili željenu visinu sečenja, prednja i zadnja osovinu se pomeraju na donjoj strani kućišta kosilice. Podesite pomoću ručke za podešavanje visine (Sl. 1.10). na željenu visinu.

POKRETANJE MOTORA

1. Priključite uređaj na električno napajanje obezbeđujući da ispunjava preporučene zahteve. Električno napajanje treba obezbediti preko zaštitnog uređaja diferencijalne struje (RCD) sa strujom akti-

viranja ne većom od 30 mA.

- Pre nego što pokrenete kosilicu za travu, sklop drške uhvatite obema rukama i nagnite lagano nadole tako da se prednji deo kosilice za travu (Sl. 6) malo podigne. Ovo će smanjiti rizik od oštećenja travnjaka prilikom pokretanja.
- Pritisnite i zadržite sigurnosno dugme (Sl. 1.15) sklopa prekidača povlačeći ručicu za uključivanje/isključivanje (Sl. 1.1) prema sebi. Kada se mašina uključi, otpustite sigurnosno dugme za blokadu.
- Pustite da motor dostigne brzinu, lagano spustite kosilicu za travu u položaj za sečenje i započnite košenje (H).

Utikač za malč

Mulching utikač se koristi prilikom malčanja i nikada u kombinaciji sa kolekcijom torbi. Uklonite travnatu kesu kada koristite utikač za malč. Da biste instalirali utikač za malč, podignite zadnje pražnjenje i skliznite na poziciju (Slivnik 8).

ZAUSTAVLJANJE MOTORA

Da biste zaustavili kosilicu, otpustite ručicu za uključivanje/isključivanje i ona će se automatski vratiti u početni položaj.

INDIKATOR ZAPREMINE NA VREĆI ZA SAKUPLJANJE TRAVE

- Ako je vreća za sakupljanje trave prazna ili nije potpuno napunjena travom, poklopac indikatora trave će ostati otvoren (zbog protoka vazduha) ili će se neprekidno otvarati i zatvarati sa nakupljanjem trave u vreći.
- Kada se dostigne maksimalan kapacitet vreće za travu, poklopac indikatora trave će ostati zatvoren (zbog ograničenog protoka vazduha). Ovo signalizira da je vreme da se vreća isprazni.

SAVETI ZA KOŠENJE (Sl. 11)

Da biste postigli najbolje rezultate na svom travnjaku, kosite u naizmeničnim smerovima pri svakom košenju. Travnjak kosite ravnomerno na istu visinu. Lagano preklapajte staze košenja.

ODRŽAVANJE

UPOZORENJE

Kosilicu za travu isključite iz struje i uverite se da su se svi pokretni delovi potpuno zaustavili pre nego što pristupite radovima čišćenja, popravke i kontrole.

OPŠTE NAPOMENE

Kosilicu za travu održavajte tako da uvek bude čista, bez trave, prljavštine ili drugog otpada. Drške održavajte suvim, čistim i bez ulja i masti. Nakon svake sesije sečenja uklonite sakupljenu pokošenu travu i otpad koristeći suhu krpu ili ručnu četku. Opremu možete da čistite i vlažnom krpom. Nemojte da koristite sredstva za čišćenje ili jake rastvarače jer mogu da oštete plastične delove opreme. Pobrinite se da voda ne prođe u unutrašnjost opreme, jer prodor vode može da

uništi mehanizam prekidača/utikača i električni motor.

Nemojte da čistite kosilicu za travu pod tekućom vodom, a naročito ne činite to vodom pod visokim pritiskom.

Pre svake upotrebe proverite da li su sve navrtke, vijci i zavrtnji pritegnuti pravilno.

Vreću za sakupljanje trave češće proveravajte na znakove habanja i zamenite je odmah originalnim delom ako ustanovite da je oštećena.

Odmah zamenite preterano pohabane ili oštećene delove.

PODMAZIVANJE

Svi ležajevi u ovom proizvodu su podmazani dovoljnom količinom visokokvalitetnog maziva za ceo vek trajanja pod normalnim uslovima rada. Zato nije potrebno dodatno podmazivanje ležaja.

Na početku i kraju svake sezone košenja:

- ▶ Lakim uljem podmažite opruge na zadnjim vratancima za pražnjenje.
- ▶ Uklonite nož i sklop rotora noža, a zatim podmažite vratilo motora lakim uljem ili motornim uljem. Za uputstva pogledajte deo Zamena noža.

ODRŽAVANJE NOŽA VAŽNO

Nož kosilice je oštar i može da dovede do teških telesnih povreda ako se njime nepravilno rukuje. Obmotajte nož ili nosite zaštitne rukavice i budite veoma oprezni tokom rukovanja.

Celični nož je projektovan da obezbedi precizno rezanje dugačke ili jake trave. Smanjenje kvaliteta rezanja ukazuje na habanje ili oštećenje noža.

UPOZORENJE

Prevelike vibracije kosilice za travu ukazuju na to da nož nije pravilno uravnotežen ili da je došlo do njegovog deformisanja pri udaru u neki predmet. U tom slučaju, nože se mora popraviti ili zameniti. Pratite odgovarajuće postupke održavanja kućišta noža ili pozovite servisni centar.

ZAMENA NOŽA (Sl. 12)

UPOZORENJE

Nosite rukavice za teške uslove rada kada rukujete nožem.

VAŽNO

Koristite samo originalne rezervne delove koji su specifikirani za ovu kosilicu trave.

- Odvojite električno napajanje sa kosilice za travu.
- Okrenite kosilicu za travu na stranu da biste otkrili donju stranu kućišta noža.
- Nosite rukavice za teške uslove rada ili koristite krpu da biste uhvatili nož.
- Da biste uklonili zavrtanj noža (Sl. 12.1), čvrsto uhvatite nož jednom rukom i upotrebite ključ za zavrtnje (Sl. 12.2) da biste olabavili zavrtanj noža okretanjem u smeru suprotnom od kretanja kazaljke na satu.
- Postavite novi nož i ponovo postavite navrtku i zavrtanj prateći isti postupak obrnutim redosledom.

ZAŠTITA ŽIVOTNE SREDINE

Reciklirajte sirovine umesto da odlažete kao otpad. Mašina, pribor i ambalaža treba da se sortiraju za reciklažu pogodnu za životnu sredinu. Plastične komponente su označene za kategorizovanu reciklažu.

Ovaj proizvod ne sme da se odlaže zajedno sa domaćim otpadom u skladu sa relativnim zakonodavstvom koje se odnosi na otpad električne i elektronske opreme. Ovaj proizvod mora biti odložen na određenom mestu prikupljanja. Do toga može doći, na primer, predajom na ovlašćenom mestu za prikupljanje za reciklažu otpadne električne i elektronske opreme. Nepravilno rukovanje opremom za otpad može imati negativne posledice po životnu sredinu i ljudsko zdravlje zbog potencijalno opasnih materija koje se često nalaze u električnoj i elektronskoj opremi. Pravilnom uklanjanjem ovog proizvoda doprinosite i efikasnom korišćenju prirodnih resursa.

Informacije o punktovima za prikupljanje otpadne opreme možete dobiti od vaše opštinske uprave, organa za odlaganje javnog otpada, ovlašćenog tela za odlaganje otpadne električne i elektronske opreme ili vašeg preduzeća za odlaganje otpada.

GARANCIJE

Ovaj proizvod je garantovan u skladu sa zakonskim / državnim propisima, koji stupaju na snagu od dana kupovine od strane prvog korisnika. Šteta koja se može pripisati normalnom habanomu i ceđanju, preopterećenju ili nepravilnom rukovanju biće isključena iz garancije. U slučaju zahteva, pošaljite mašinu, potpuno okupljenu, vašem dileru ili zvaničnom servisnom centru.

HRVATSKI

OPĆE SIGURNOSNE UPUTE ZA ELEKTRIČNI UREĐAJ

Pročitajte sva sigurnosna upozorenja i upute. Nepriдрžavanje sigurnosnih upozorenja i uputa može dovesti do strujnog udara, požara i/ili teških ozljeda. Sačuvajte sva upozorenja i upute za svaku buduću upotrebu. Izraz "električni uređaj", koji se koristi u upozorenjima, se odnosi na električne uređaje koji rade na električnu energiju (uz pomoć električnog kabela) kao i na električne uređaje koji rade uz pomoć baterije (bez električnog kabela).

SIGURNOST RADNOG PROSTORA

Održavajte prostor u kojem radite čistim i dobro osvijetljenim. Nuredna i tamna mjesta za rad mogu uzrokovati nesreće.

Ne koristite električni uređaj u eksplozivnom okruženju, u blizini zapaljivih tekućina, plinova ili prašine. Električni uređaji stvaraju iskre koje može zapaliti prašinu ili pare.

Kada koristite električni uređaj djecu i druge osobe držite na sigurnoj udaljenosti od njega. u slučaju odvlačenja pažnje možete izgubiti kontrolu nad uređajem.

SIGURNOST OD ELEKTRIČNE STRUJE

Utikač na kabelu električnog uređaja mora odgovarati utičnici. Ni u kojem slučaju ne mijenjajte utikač. Utikače s adapterom nemojte koristiti u kombinaciji s uzemljenim električnim uređajima. Nepromijenjeni utikači i odgovarajuće utičnice smanjuju opasnost od strujnog udara.

"Izbjegavajte dodir tijela s uzemljenim površinama, kao što su cijevi, grijača tijela, štednjaci ili hladnjaci. Ako je vaše tijelo uzemljeno, postoji povećana opasnost od strujnog udara."

Ne izlažite uređaj kiši ili vlazi. Prodiranje vode u električni uređaj povećava opasnost od strujnog udara.

"Ne koristite električni kabel za prenošenje ili povlačenje alata kao ni za isključivanje utikača iz utičnice. Držite kabel podalje od pretjerane topline, oštrih rubova i/ili pokretnih dijelova. Oštećeni ili zapetljani električni kabeli povećavaju opasnost od strujnog udara."

Kada s električnim uređajem radite na otvorenom, koristite produžne kabele pogodne za vanjsku upotrebu. Upotreba kabela pogodnih za vanjsku upotrebu smanjuje opasnost od strujnog udara.

Ukoliko nije moguće izbjeći upotrebu električnog uređaja u vlažnoj sredini, koristite zaštitnu strujnu sklopku FI/RCD. Upotreba zaštitne strujne sklopke smanjuje opasnost od strujnog udara.

OSOBNJA SIGURNOST

"Uvijek budite na oprezu, pazite šta radite i uređaj koristite razumno. Ne koristite električni uređaj kad ste umorni ili pod utjecajem droga, alkohola ili lijekova. Trenutak nepažnje prilikom rukovanja električnim uređajem može dovesti do ozbiljnih ozljeda."

Koristite osobnu zaštitnu opremu. Uvijek nosite zaštitne naočale. Kad koristite odgovarajuću zaštitnu opremu, kao što su maska za zaštitu od prašine, zaštitne cipele protiv klizanja, zaštitnu kacigu ili čepiće za zaštitu sluha, ovisno o vrsti električnog alata s kojim radite, smanjujete mogućnost ozljede. "Spriječite nenamjerno uključivanje uređaja. Prije nego što priključite uređaj na izvor napajanja i/ili bateriju, uvjerite se da je prekidač električnog uređaja u položaju „isključeno“, a isto to učinite prilikom uzimanja ili prenošenja aparata. Prenošenjem električnog uređaja s prstom na prekidaču ili spajanjem uređaja na izvor struje dok je prekidač uređaja u položaju ON, povećavate opasnost od ozljeda."

Prije uključivanja električnih uređaja uklonite s njih uređaje za podešavanje ili ključeve. Ostavljanje uređaja ili ključa na rotirajućem dijelu električnog uređaja može dovesti do ozljeda.

Ne precjenjujte vlastite sposobnosti. Vodite računa da vam tijelo ima siguran oslonac i stalno održavajte ravnotežu. To omogućuje bolju kontrolu električnog uređaja u neočekivanim situacijama.

Nosite prikladnu odjeću. Ne nosite široku odjeću ni nakit. Kosu, odjeću i rukavice držite podalje od pokretnih dijelova. Pokretni dijelovi mogu zahvatiti labavu odjeću, nakit ili dugu kosu.

Ako je omogućeno priključivanje uređaja za usisavanje ili uklanjanje prašine, osigurajte njihovo pravilno povezivanje i upotrebu. Upotreba uređaja za usisavanje prašine može smanjiti opasnost koja može biti uzrokovana prašinom.

BRILJIVJA UPOTREBA I KORIŠTENJE ELEKTRIČNIM UREĐAJIMA

Nemojte preopterećivati električni uređaj. Za svaki posao koristite za njega namijenjen električni uređaj. Upotrebljavajući odgovarajući električni uređaj radite bolje i sigurnije u navedenom području rada.

Nikada ne upotrebljavajte električni uređaj ako je prekidač na njemu pokvaren. Električni uređaj koji se više ne može isključiti ili uključiti opasan je i mora se popraviti.

Prije podešavanja, zamjene dijelova ili pospremanja električnog uređaja, isključite utikač iz utičnice ili odstranite bateriju. Te sigurnosne preventivne mjere smanjuju opasnost od nehotičnog pokretanja električnog uređaja.

Električne uređaje koje ne upotrebljavate pohranite izvan dohvata djece. Ne dopustite rad s uređajem osobama koje nisu upoznale s njim ili nisu pročitale ove upute. Električni uređaji opasni su ako se koriste od strane neiskusnih osoba.

"Pažljivo održavajte električni uređaj. Provjeravajte funkcioniraju li pokretni dijelovi uređaja besprijekorno, bez da blokiraju, i jesu li možda polomljeni ili oštećeni neki dijelovi koji utječu na način rada električnog uređaja. Prije ponovne uporabe, pokvareni električni uređaj odnesite na popravak. Velik broj nezgoda uzrokovan je loše održanim električnim uređajima."

"Dijelove za rezanje održavajte oštroma i čistima. Bržno održavani dijelovi za rezanje rjeđe zapinju i njima se lakše upravlja."

Električne uređaje, dijelove, uređaje koji se umeću itd. upotrebljavajte u skladu s ovim uputama. Također obratite pažnju na uvjete rada i posao koji trebate obaviti. Upotreba električnog uređaja za poslove za koje nije namijenjen može dovesti do opasnih situacija.

SERVIS

Svoji uređaj predajte na popravak isključivo kvalificiranim stručnim osobama koje koriste originalne rezervne dijelove. Time će se osigurati održavanje sigurnosti uređaja.

TRAVAČA KOSAČA SIGURNOSNA UPOZORENJA

Nikada ne dopustite djeci ili ljudima koji nisu upoznati s ovim uputama da koriste stroj. Lokalni propisi mogu ograničiti dob operatera. Kad se ne koristi, uređaj čuvajte izvan dohvata djece.

Ovaj stroj nije namijenjen za upotrebu osobama (uključujući djecu) sa smanjenim fizičkim, senzornim ili mentalnim sposobnostima ili nedostatkom iskustva i znanja, osim ako im osoba koja je odgovorna za njihovu sigurnost nije dala nadzor ili upute u vezi s korištenjem stroja. Djeca bi trebala biti pod nadzorom kako bi se osiguralo da se ne igraju sa strojem.

Nikad ne kosite dok su ljudi, posebno djeca ili kućni ljubimci u blizini.

Operater ili korisnik odgovoran je za nesreće ili opasnosti koje se mogu dogoditi drugim ljudima ili njihovoj imovini.

Nemojte rukovati strojem kada ste bosi ili u otvorenim sandalama, uvijek nosite značajnu obuću i duge hlače.

Temeljito pregledajte područje na kojem će se stroj koristiti i uklonite sve kamenje, štapove, žice, kosti i druge strane predmete.

Prije uporabe, uvijek vizualno pregledajte jesu li oštrice, vijci oštrice i sklop rezača istrošeni ili oštećeni. Zamijenite istrošene ili oštećene oštrice i vijke u komplete kako biste očuvali ravnotežu.

Kosite samo na dnevnom svjetlu ili na dobrom umjetnom svjetlu.

Izbjegavajte košnju u lošim vremenskim uvjetima, posebno kada postoji opasnost od groma.

Izbjegavajte rad stroja na mokroj travi, gdje je to moguće.

Hodajte, nikad ne trčite.

Uređajem nikada nemojte rukovati s oštećenim štitnicima ili štitnicima ili bez sigurnosnih uređaja, na primjer deflektora i/ili hvatača trave.

► Uvijek nosite zaštitu za uši.

► Rad na bankama može biti opasan.

► Ne kosite na pretjerano strmim padinama.

► Uvijek budite sigurni da stojite na padinama ili mokroj travi.

Kosite po površini padina - nikad gore i dolje.

Budite izuzetno oprezni pri promjeni smjera na padinama.

Budite izuzetno oprezni kad se odmičete ili povlačite stroj prema sebi.

Nikad ne kosite povlačeći kosilicu prema sebi.

Zaustavite noževe ako se stroj mora naginjati za transport prilikom prelaska površina koje nisu tra-

va i pri transportu stroja u područje košenja i iz njega.

Nemojte naginjati stroj prilikom pokretanja ili uključivanja motora, osim ako stroj mora biti nagnut za pokretanje u dugoj travi. U tom slučaju nemojte ga naginjati više nego što je prijeko potrebno i naginjte samo onaj dio koji je udaljen od rukovatelja. Uvijek osigurajte da su obje ruke u radnom položaju prije nego što vratite stroj na tlo.

Uključite motor prema uputama tako da stopala budu daleko od rotirajućih dijelova.

Ne stavljajte ruke ili noge blizu rotirajućih dijelova ili ispod njih.

Tijekom rada stroja uvijek se držite podalje od zone praznjenja.

Nikada nemojte podizati ili nositi stroj dok motor radi.

Nemojte mijenjati ovaj proizvod. Neovlaštene preinake mogu ugroziti sigurnost vašeg proizvoda i dovesti do povećane buke i vibracija.

Redovito pregledavajte dovodni kabel i sve produžne kabele. Nemojte spajati oštećene kabele na napajanje niti dodirivati oštećeni kabel prije nego što ih odvojite od napajanja. Oštećeni kabel može dovesti do kontakta s dijelovima pod naponom. Pazite se opasnosti od strujnog udara.

IZVADITE UTIKAČ IZ UTIČNICE

Kad god napustite stroj.

Prije uklanjanja blokade.

Prije provjere, čišćenja ili rada na stroju.

Nakon udara u strani predmet. Pregledajte stroj na oštećenja i po potrebi popravite.

Ako stroj počne nenormalno vibrirati (odmah provjerite).

PRIKLJUČAK NA NAPAJANJE

Provjerite jesu li podaci o napajanju na natpisnoj pločici uređaja kompatibilni s napajanjem na koje ga namjeravate spojiti.

Ovaj je uređaj klase II i dizajniran je za spajanje na izvor napajanja koji odgovara onome navedenom na naljepnici s oznakama i kompatibilan s ugrađenim utikačem. Ako je potreban produžni kabel, upotrijebite odobreni i kompatibilni kabel s oznakom za ovaj uređaj. Slijedite sve upute isporučene s produžnim kabelom.

SMJERNICE ZA KORIŠTENJE PRODUŽNIH UŽICA

Provjerite je li produžni kabel u dobrom stanju. Kad upotrebljavate produžni kabel, upotrijebite kabel dovoljno težak da nosi struju koju će vaš proizvod povući. Premali kabel uzrokovat će pad linijskog napona što će rezultirati gubitkom snage i pregrijavanjem.

Prije uporabe uvijek zamijenite oštećeni produžni kabel ili ga neka popravlja kvalificirana osoba.

Zaštitite produžne kabele od oštih predmeta, prekomjerne vrućine i vlažnih / mokrih područja. Za alate upotrijebite zasebni električni krug. Ovaj bi krug trebao biti zaštićen odgovarajućim osiguračem s odgodom. Prije spajanja motora

na dalekovod, provjerite je li prekidač u položaju ISKLJUČENO i da li je električni napon jednak naponu utisnutom na pločici s motorom. Trčanje na nižem naponu oštetit će motor.

SPECIFIKACIJE PROIZVODA

NAMJENA

Ova je kosilica za travu predviđena za privatnu kućnu upotrebu za košnju malih travnjaka i vrtova. Kosilica nije namijenjena za košnju trave u javnim parkovima, na igralištima, gospodarstvima ili u šumama. Kosilicu nemojte upotrebljavati ni za jednu drugu namjenu osim predviđene.

TEHNIČKI PODACI

Broj artikla		46 520
Model	ELM 34/1400 PLUS	
Nazivni napon	V	230-240
Ocijenjena frekvencija	Hz	50
Pogonski sustav	Gurnuti	
Širina rezanja	cm	34
Raspon visine rezanja	mm	25-75 (6 položajima)
Čep za malčiranje	Da	
Nazivna snaga	W	1.400
Kapacitet vreće za travu	L	35
Promjer prednjeg kotača	mm	150
Promjer stražnjeg kotača	mm	200
Dužina kabela	cm	35
Razina vibracije (ah)	m/s ²	4,5
Nesigurnost (K)	m/s ²	1,5
Razina zvučne snage (LwA)	dB(A)	94
Zajamčena razina zvučne snage (LwA)	dB(A)	95,9
Nesigurnost (K)	dB	1,85
Neto težina	kg	13

IDENTIFIKACIJA (SL. 1)

1. ON / OFF ručica prekidača
2. Gornja drška
3. Kuka za zadržavanje produžnog kabela
4. Kabel uređaja
5. Drška za sakupljač trave
6. Sakupljač trave
7. Donja poluga za brzo otpuštanje
8. Stražnji kotač
9. Prednji kotač
10. Poluga za podešavanje visine
11. Donja ručka
12. Gornja poluga za brzo otpuštanje
13. Kabelaška kopča
14. Prekidač
15. Sigurnosni gumb

SKUPŠTINA**SKLOP RUČKE**

1. Sa svake strane kosilice postavite adapter na položaj na okvir ručke, stavite donju ručku na utor adaptera i čvrsto zategnite pomoću svornjaka, podloške i poluge za brzo otpuštanje (Sl. 2).
2. Postavite gornju ručku u položaj i čvrsto zategnite pomoću svornjaka, podloške i poluge za brzo otpuštanje (Sl. 3).

BILJEŠKA:

Gdje je primjenjivo, prije koraka „2“ postavite kuku za zadržavanje produžnog kabela (slika 1.3) na gornju ručku.

SKUPŠTINA I UGRADNJA SAKUPLJAČA TRAVE

Sakupljač trave (Sl. 1.6) sprječava bacanje odsječenih trava preko vašeg travnjaka dok kosite.

1. Umetnite ručku sakupljača trave (Sl. 4.1) u rupe na vrhu sakupljača trave (Sl. 4.2) dok ne klikne u svom položaju.
2. Poravnajte gornji i donji dio sakupljača trave i spojite se. Provjerite nalaze li se kopče pravilno i sigurno.

BILJEŠKA:

Kod modela s plastičnim donjim dijelom prethodno spojite lijevu i desnu stranu u jedan komad (Sl. 4.3).

3. Podignite poklopac kolektora jednom rukom. Drugom rukom držite sakupljač trave za ručku i zakačite je odozgo (Sl. 5).

OPERACIJA**UPOZORENJE:**

Prije spajanja na električnu mrežu uvijek provjerite je li prekidač u isključenom položaju!

ZADRŽAVANJE PRODUŽNOG KABELA

Za postizanje optimalnih rezultata i smanjenje rizika od presijecanja mrežnog kabela preporučujemo upotrebu vaše kosilice kako je opisano u ovom odjeljku. Stavite glavninu mrežnog kabela na travnjak, blizu početne točke. Provucite kabel kroz učvršćenje kabela (slika 1.3).

PODEŠAVANJE VISINE REZANJA

Ova električna kosilica za travu opremljena je sustavom za podešavanje visine u 6 položaja za prilagodbu visine košenja trave od 25 do 75 mm. Da biste postigli željenu visinu rezanja, prednja i stražnja osovina postavljene su na donju stranu tijela kosilice. Podesite pomoću ručice za podešavanje visine (Sl. 1.10) na željenu visinu.

POKRETANJE MOTORA

1. Uključite stroj u električnu mrežu osiguravajući da ispunjava preporučene zahtjeve. Električna energija treba se napajati preko uređaja za preostalu struju (RCD) s strujom odbijanja koja nije veća od 30 mA.
2. Prije pokretanja kosilice, držite sklop ručke obema rukama i nagnite ručicu prema dolje kako biste malo podigli prednji dio kosilice (slika 6). To će smanjiti rizik od oštećenja travnjaka tijekom pokretanja.
3. Pritisnite i držite sigurnosnu tipku (Sl. 1.15) sklopke dok povlačite polugu za uključivanje / isključivanje (Sl. 1.1) prema sebi. Nakon što se stroj uključi, otpustite gumb sigurnosne brave.
4. Pustite motor da ubrza, lagano spuštajući kosilicu u položaj za rezanje i započnite s košnjom (Sl. 7).

Čep za malčiranje

Čep za malčiranje koristi se prilikom malčiranja, a nikako u kombinaciji s sakupljanjem vrećica. Uklonite vreću za travu kada koristite utikač za malčiranje. Da biste instalirali čep za malčiranje, podignite stražnji ispust i pomaknite ga u položaj (slika 8).

ZAUSTAVLJANJE MOTORA

Da biste zaustavili kosilicu, otpustite ručicu prekidača za uključivanje / isključivanje i ona se automatski vraća u svoj isključeni položaj.

POKAZATELJ ZAPREMNINE VREĆE ZA SAKUPLJANJE TRAVE

1. Ako je vreća za sakupljanje trave prazna ili nije u potpunosti puna travom, poklopac pokazivača trave ostat će otvoren (zbog protoka zraka) ili će lepršati otvarati i zatvarati dok se trava nakuplja u vreći.
2. Kada vreća za travu dosegne svoj maksimalni kapacitet, poklopac pokazivača trave ostat će zatvoren (zbog ograničenog protoka zraka). To signalizira da je vrijeme da se vreća isprazni.

SAVJETI ZA KOŠNJU (SL. 11)

Za najbolje rezultate odrežite travnjak u alternativnim smjerovima mijenjajući smjer svaki put kad režete. Izrežite svoj travnjak na jednakoj i istoj visini. Lagano preklapajte linije rezanja.

ODRŽAVANJE**UPOZORENJE:**

Prije čišćenja, popravka ili pregledavanja kosilice, isključite napajanje jedinice i provjerite jesu li se svi pokretni dijelovi potpuno zaustavili.

OPĆENITO

Uvijek održavajte kosilicu čistom i bez trave, prljavštine ili drugog otpada.

Držite ručke suhima, čistima i bez ulja i masti.

Nakon svake sekcije uklanjajte nakupljene ostatke trave i ostatke suhom krpom ili ručnom četkom. Opremu možete očistiti i vlažnom krpom. Ne koristite sredstva za čišćenje ili jaka otapala jer mogu oštetiti plastične dijelove opreme. Pazite da voda ne prodre u unutrašnjost opreme jer unos vode može uništiti mehanizam prekidača / utikača i elektromotor.

Ne čistite kosilicu tekućom vodom, posebno vodom pod visokim pritiskom.

Prije svake uporabe provjerite jesu li sve matice, vijci i vijci ispravno nepropusni.

Često pregledavajte vreću za sakupljanje trave na znakove istrošenosti i odmah je zamijenite originalnim dijelom ako se utvrdi oštećenje.

Prekomjerno istrošene ili oštećene dijelove odmah zamijenite.

PODMAZIVANJE

Svi ležajevi ovog proizvoda podmazani su dovoljnom količinom visokokvalitetnih maziva za životni vijek jedinice u normalnim radnim uvjetima. Stoga nije potrebno daljnje podmazivanje ležajeva.

Na početku i na kraju svake sezone košnje:

► Podmažite opruge na vratima stražnjeg pražnjenja laganim uljem.

► Skinite oštricu i sklop rotora oštrice i podmažite osovinu motora laganim uljem ili motornim uljem. Upute potražite u odjeljku Zamjena noža.

ODRŽAVANJE OŠTRICA**VAŽNO:**

Oštrica kosilice je oštra i može dovesti do teških tjelesnih ozljeda ako se s njom nepravilno rukuje. Zamotajte oštricu ili nosite zaštitne rukavice i budite oprezni pri rukovanju.

Čelična oštrica dizajnirana je za fino rezanje duge ili žilave trave. Pogoršanje kvalitete reza ukazuje na trošenje ili oštećenje oštrice.

UPOZORENJE:

Prekomjerno vibrirajuća kosilica za travu ukazuje na to da oštrica nije pravilno uravnotežena ili se deformirala od udaranja u predmet. U tom slučaju, oštrica se mora popraviti ili zamijeniti. Slijedite odgovarajuće postupke održavanja za njegu oštrica ili nazovite servisni centar.

ZAMJENA OŠTRICE (Sl. 12)**UPOZORENJE:**

Nosite teške rukavice prilikom rukovanja oštricom.

VAŽNO:

Koristite samo originalne zamjenske dijelove navedene za ovu kosilicu.

1. Odspojite električno napajanje kosilice.
2. Okrenite kosilicu sa strane da biste otkrili donju stranu kućišta oštrice.
3. Nosite teške rukavice ili uhvatite oštricu krpom.
4. Da biste uklonili vijak oštrice (Sl. 12.1), čvrsto držite oštricu jednom rukom i pomoću ključa za ključeve (Sl. 12.2) otpustite vijak oštrice

okretanjem u smjeru suprotnom od kazaljke na satu.

5. Vratite novu oštricu, podlošku i vijak natrag lijeve iste korake obrnutim redoslijedom.

ZAŠTITA OKOLIŠA

Reciklirajte sirovine, umjesto da ih odlažete kao otpad. Stroj, pribor i ambalažu treba razvrstati radi recikliranja prihvatljivog za okoliš. Plastične komponente su označene za kategoriziranu reciklažu.

Ovaj se proizvod ne smije odlagati zajedno s kućnim otpadom u skladu s odgovarajućom zakonskom regulativom koja se odnosi na otpad električne i elektroničke opreme. Ovaj se proizvod mora odložiti na određeno mjesto za sakupljanje. To se može dogoditi, na primjer, predajom na ovlaštenom sabirnom mjestu za recikliranje otpadne električne i elektroničke opreme. Nepravilno rukovanje otpadnom opremom može imati negativne posljedice na okoliš i ljudsko zdravlje zbog potencijalno opasnih tvari koje se često nalaze u električnoj i elektroničkoj opremi. Pravilnim odlaganjem ovog proizvoda pridonosite i učinkovitoj upotrebi prirodnih resursa.

Informacije o mjestima sakupljanja otpadne opreme možete dobiti od vaše općinske uprave, javnog tijela za zbrinjavanje otpada, ovlaštenog tijela za zbrinjavanje otpada električne i elektroničke opreme ili vaše tvrtke za zbrinjavanje otpada.

JAMSTVO

Ovaj je proizvod zajamčen u skladu sa zakonskim propisima / propisima specifičnim za državu, koji stupaju na snagu od datuma kupnje od strane prvog korisnika. Oštećenja koja se pripisuju uobičajenom trošenju, preopterećenju ili nepravilnom rukovanju bit će isključena iz jamstva. U slučaju potraživanja, pošaljite stroj u potpunosti montiranom prodavaču ili službenom servisnom centru.

ROMÂNĂ

AVERTISMENTE GENERALE DE SIGURANȚĂ

Citiți toate indicațiile de avertizare și instrucțiunile. Nerespectarea indicațiilor de avertizare și a instrucțiunilor poate provoca electrocutare, incendii și/sau răniri grave. Păstrați toate indicațiile de avertizare și instrucțiunile în vederea utilizărilor viitoare. Termenul de „sculă electrică” folosit în indicațiile de avertizare se referă la sculele electrice alimentate de la rețea (cu cablu de alimentare) și la sculele electrice cu acumulator (fără cablu de alimentare).

SIGURANȚĂ LA LOCUL DE MUNCĂ

Mențineți-vă sectorul de lucru curat și bine iluminat. Dezordinea sau sectoarele de lucru neluminate pot duce la accidente.

Nu lucrați cu scula electrică în mediu cu pericol de explozie, în care există lichide, gaze sau pulberi inflamabile. Sculele electrice generează scântei care pot aprinde praful sau vaporii.

Nu permiteți accesul copiilor și al altor persoane în timpul utilizării sculei electrice. Dacă vă este distrasă atenția puteți pierde controlul asupra mașinii.

SIGURANȚĂ ELECTRICĂ

Ștecherul sculei electrice trebuie să fie potrivit prizei electrice. Nu este în nici un caz permisă modificarea ștecherului. Nu folosiți fise adaptoare la sculele electrice legate la pământ de protecție. Ștecherul nemodificat și prizele corespunzătoare diminuează riscul de electrocutare.

Evitați contactul corporal cu suprafețe legate la pământ ca țevi, instalații de încălzire, sobe și frigider. Există un risc crescut de electrocutare atunci când corpul vă este legat la pământ.

Feriți mașina de ploaie sau umezeală. Pătrunderea apei într-o sculă electrică mărește riscul de electrocutare.

Nu schimbați destinația cablului folosindu-l pentru transportarea sau suspendarea sculei electrice ori pentru a trage ștecherul afară din priză. Feriți cablul de căldură, ulei, muchii ascuțite sau componente aflate în mișcare. Cablurile deteriorate sau încurcate măresc riscul de electrocutare.

Atunci când lucrați cu o sculă electrică în aer liber, folosiți numai cabluri prelungitoare adecvate și pentru mediul exterior. Folosirea unui cablu prelungitor adecvat pentru mediul exterior diminuează riscul de electrocutare.

Atunci când nu poate fi evitată utilizarea sculei electrice în mediu umed, folosiți un întrerupător automat de protecție împotriva tensiunilor periculoase. Întrebuințarea unui întrerupător automat de protecție împotriva tensiunilor periculoase reduce riscul de electrocutare.

SIGURANȚĂ PERSOANELOR

Fiți atenți, aveți grijă de ceea ce faceți și procedați rațional atunci când lucrați cu o sculă electrică. Nu folosiți scula electrică atunci când sunteți obosiți sau vă aflați sub influența drogurilor, a alcoolului

sau a medicamentelor. Un moment de neatenție în timpul utilizării mașinii poate duce la răniri grave.

Purtați echipament personal de protecție și întotdeauna ochelari de protecție. Purtarea echipamentului personal de protecție, ca masca pentru praf, încălțăminte de siguranță antiderapantă, cască de protecție sau protecția auditivă, în funcție de tipul și utilizarea sculei electrice, diminuează riscul rănilor.

Evitați o punere în funcțiune involuntară. Înainte de a introduce ștecherul în priză și/sau de a introduce acumulatorul în scula electrică, de a o ridica sau de a o transporta, asigurați-vă că aceasta este oprită. Dacă atunci când transportați scula electrică țineți degetul pe întrerupător sau dacă porniți scula electrică înainte de a o racorda la rețeaua de curent, puteți provoca accidente.

Înainte de pornirea sculei electrice îndepărtați dispozitivele de reglare sau cheile fixe din aceasta. Un dispozitiv sau o cheie lăsată într-o componentă de mașină care se rotește poate duce la răniri.

Evitați o ținută corporală nefirească. Adoptați o poziție stabilă și mențineți-vă întotdeauna echilibrul. Astfel veți putea controla mai bine mașina în situații neașteptate.

Purtați îmbrăcăminte adecvată. Nu purtați îmbrăcăminte largă sau podoabe. Feriți părul, îmbrăcămintea și mănușile de piesele aflate în mișcare. Îmbrăcămintea largă, părul lung sau podoabele pot fi prinse în piesele aflate în mișcare. Dacă pot fi montate echipamente de aspirare și colectare a prafului, asigurați-vă că acestea sunt racordate și folosite în mod corect. Folosirea unei instalații de aspirare a prafului poate duce la reducerea poluării cu praf.

UTILIZAREA ȘI MANEVRAREA ATENTĂ A SCULELOR ELECTRICE

Nu suprasolicitați mașina. Folosiți pentru executarea lucrării dv. scula electrică destinată aceluși scop. Cu scula electrică potrivită lucrați mai bine și mai sigur în domeniul de putere indicat.

Nu folosiți scula electrică dacă aceasta are întrerupător defect. O sculă electrică, care nu mai poate fi pornită sau oprită, este periculoasă și trebuie reparată.

Scoateți ștecherul afară din priză și/sau îndepărtați acumulatorul, înainte de a executa reglaje, a schimba accesorii sau de a pune mașina la o parte. Această măsură de prevedere împiedică pornirea involuntară a sculei electrice.

Păstrați sculele electrice nefolosite la loc inaccesibil copiilor. Nu lăsați să lucreze cu mașina persoane care nu sunt familiarizate cu aceasta sau care nu au citit aceste instrucțiuni. Sculele electrice devin periculoase atunci când sunt folosite de persoane lipsite de experiență.

Întrețineți-vă scula electrică cu grijă. Controlați dacă componentele mobile ale sculei electrice funcționează impecabil și dacă nu se blochează, sau dacă există piese rupte sau deteriorate astfel încât să afecteze funcționarea sculei electrice. Înainte de a utiliza reparați la reparație piesele deteriorate. Cauza multor accidente a fost întreținerea

necorespunzătoare a sculelor electrice.

Mențineți bine ascuțite și curate dispozitivele de tăiere. Dispozitivele de tăiere întreținute cu grijă, cu tășuri ascuțite se înțepenesc în mai mică măsură și pot fi conduse mai ușor.

Folosiți scula electrică, accesoriile, dispozitivele de lucru etc. conform prezentelor instrucțiuni. Țineți cont de condițiile de lucru și de activitatea care trebuie desfășurată. Folosirea sculelor electrice în alt scop decât pentru utilizările prevăzute, poate duce la situații periculoase.

SERVICE

Încredințați scula electrică pentru reparare numai personalului de specialitate, calificat în acest scop, repararea făcându-se numai cu piese de schimb originale. Astfel veți fi siguri că este menținută siguranța mașinii.

AVERTISMENTE DE SIGURANȚĂ PENTRU MAȘINA DE TUNS IARBA

Nu permiteți niciodată copiilor sau persoanelor nefamiliarizate cu prezentele instrucțiuni, să folosească scula electrică de grădină. Este posibil ca normele naționale să limiteze vârsta operatorului. În caz de nefolosire, păstrați scula electrică de grădină la loc inaccessibil copiilor.

Această sculă electrică de grădină nu este destinată utilizării de către persoane (inclusiv copii) cu deficiențe senzoriale sau intelectuale sau cu o experiență insuficientă și/sau cunoștințe insuficiente, în afara cazului în care se află sub supravegherea unei persoane răspunzătoare de siguranța lor sau primesc îndrumări de la aceasta, cu privire la utilizarea sculei electrice de grădină. Copiii trebuie supravegheați pentru a ne asigura că aceștia nu se joacă cu scula electrică de grădină. În nici un caz nu coșiți atunci când în imediata apropiere staționează persoane, în special copii sau animale de casă.

Operatorul sau utilizatorul este ținut răspunzător pentru accidente sau pagube provocate altor oameni sau bunurilor acestora.

Nu folosiți scula electrică de grădină dacă sunteți desculți sau încălțați cu sandale deschise. Purtați încălțăminte solidă și pantaloni lungi.

Inspectați atent suprafața pe care urmează să o lucrați și îndepărtați cu grijă pietrele, betele, sărmele, oasele și alte corpuri străine.

Înainte de a utiliza verificați vizual întotdeauna dacă, cuțitele, șuruburile cuțitelor cât și blocul de cuțite nu sunt uzate sau deteriorate. Pentru evitarea dezechilibrelor, înlocuiți întotdeauna întregul set de cuțite și șuruburi de cuțite uzate sau deteriorate.

Cosiți numai la lumina zilei sau la lumină artificială bună.

Evitați cosirea în condiții meteorologice nefavorabile, mai ales atunci când există riscul de fulgere. Pe cât posibil nu folosiți scula electrică de grădină la tunderea ierbii ude.

Pășiiți întotdeauna încet, nu alergați niciodată pe pedale.

Nu folosiți în niciun caz scula electrică de grădină

în cazul în care aceasta prezintă dispozitive de protecție, capace defecte sau echipamente de siguranță care lipsesc, ca de exemplu bara de protecție sau coșul colector de iarbă.

► Purtați protecții auditive.

► Cosirea ierbii pe taluzuri poate fi periculoasă.

► Nu coșiți în pantă foarte abruptă.

► Fiți întotdeauna atenți, astfel încât să pășiți în siguranță pe suprafețele înclinate sau pe iarba udă.

Pe suprafețele înclinate coșiți întotdeauna transversal și niciodată în sus și în jos.

La schimbarea direcției în pante fiți extrem de precauți.

Fiți extrem de precauți atunci când mergeți înapoi cu scula electrică de grădină sau o trageți spre dumneavoastră.

În timpul cosirii împingeți scula electrică de grădină întotdeauna spre înainte și nu o trageți niciodată în direcția corpului dumneavoastră.

Cuțitele trebuie să se afle în repaus, atunci când sunteți nevoiți să răsturnați scula electrică de grădină în vederea transportului, când traversați suprafețe neplantate cu iarbă și când transportați scula electrică spre și de la sectorul de cosit.

Nu răsturnați scula electrică de grădină în momentul pornirii motorului sau al demarării, în afara cazului în care motorul trebuie pornit în iarbă înaltă. În acest caz, ridicați, nu mai mult decât este necesar, partea opusă operatorului, împingând în jos mâneul. Aveți grijă să țineți mâinile pe mâner atunci când lăsați din nou jos scula electrică de grădină.

Porniți scula electrică de grădină conform celor descrise în instrucțiunile de folosire și aveți grijă să vă țineți picioarele departe de componentele care se rotesc.

Nu țineți mâinile și picioarele în apropierea sau sub piesele care se rotesc.

Păstrați o distanță sigură față de zona de aruncare a materialului tocât în timpul lucrului cu scula electrică de grădină.

Nu ridicați respectiv nu transportați scula electrică de grădină cu motorul pornit.

Nu aduceți modificări sculei electrice de grădină. Modificările neautorizate pot afecta siguranța în exploatare a sculei dumneavoastră electrice de grădină și pot duce la amplificarea zgomotelor și vibrațiilor acestora.

Verificați regulat cablul de racordare și cablul prelungitor folosit. Nu racordați la rețea un cablu deteriorat și nu-l atingeți înainte de a-l fi debransat de la rețea. Un cablu deteriorat poate atinge componente aflate sub tensiune. Potejați-vă împotriva pericolelor cauzate de electrocutare.

SCOATEȚI ȘTECHERUL DE LA REȚEA AFARĂ DIN PRIZĂ

Întotdeauna când vă îndepărtați de scula electrică de grădină.

Înainte de a îndepărta blocajele.

Când verificați, curățați sau lucrați la scula electrică de grădină.

După o coliziune cu un corp străin. Controlați imediat scula electrică de grădină cu privire la deteriorări iar dacă este necesar, reparați-o.

Când scula electrică începe să vibreze în mod neobișnuit (verificați imediat).

CONECTAREA LA SURSA DE ALIMENTARE

Asigurați-vă că informațiile privind alimentarea de pe plăcuța de identificare a echipamentului sunt compatibile cu alimentarea la care doriți să o conectați.

Acest echipament face parte din Clasa II și este proiectat să fie conectat la o sursă de alimentare detaliată pe plăcuța de identificare și compatibilă cu ștecherul livrat. Dacă este necesar un prelungitor, folosiți un prelungitor compatibil aprobat pentru acest echipament. Urmați toate instrucțiunile livrate cu prelungitorul.

INSTRUCȚIUNI PRIVIND UTILIZAREA PRELUNGITOARELOR

Asigurați-vă că prelungitorul dumneavoastră este în stare bună. La utilizarea unui prelungitor, asigurați-vă că acesta este destul de rezistent să suporte curentul consumat de unealta electrică. Un cablu subdimensionat va determina o cădere a tensiunii, cauzând pierderi de putere și supraîncălzire.

Întotdeauna înlocuiți prelungitorul avariât sau trimiteți-l spre a fi reparat de o persoană calificată înainte de a-l utiliza.

Protejați prelungitoarele de obiectele ascuțite, căldură excesivă și zone umede/cu igrasie.

Utilizați un circuit electric separat pentru uneltele dumneavoastră. Acest circuit trebuie să fie protejată cu o siguranță cu decalaj. Anterior conectării la circuitul de alimentare, asigurați-vă că întrerupătorul se află în poziția OFF (oprit) și tensiunea electrică are aceeași valoare cu cea indicată pe plăcuța de identificare a motorului. Operarea la o tensiune mai scăzută va avaria motorul.

SPECIFICAȚIILE PRODUSULUI

DOMENIUL DE UTILIZARE

Această mașină de tuns iarba este destinată utilizării rezidențiale private, pentru tăierea ierburilor de pe peluze mici și grădini. Nu utilizați această mașină de tuns iarba pentru alte aplicații în afara celor pentru care este destinată.

DATE TEHNICE		
Numarul articolului	46 520	
Model	ELM 34/1400 PLUS	
Tensiune nominală	V	230-240
Frecvența nominală	Hz	50
Sistem de propulsie	Împinge	
Lățimea de tăiere	cm	34

DATE TEHNICE		
Numarul articolului	46 520	
Model	ELM 34/1400 PLUS	
Gama de înălțime de tăiere	mm	25-75 (6 poziții)
Dop de mulcire	Da	
Putere nominală	W	1.400
Capacitatea sacului de iarbă	L	35
Diametrul roții din față	mm	150
Diametrul roții din spate	mm	200
Lungimea cablului	cm	35
Nivelul vibrațiilor (ah)	m/s ²	4,5
Incertitudine (K)	m/s ²	1,5
Nivel de putere sonoră (LwA)	dB(A)	94
Nivel de putere sonoră garantat (LwA)	dB(A)	95,9
Incertitudine (K)	dB	1,85
Greutate netă	kg	13

IDENTIFICARE (Fig. 1)

1. Maneta comutatorului ON / OFF
2. Mâner superior
3. Cârlig de fixare a cablului prelungitor
4. Cablul aparatului
5. Mâner colector de iarbă
6. Colector de iarbă
7. Coborâți maneta de eliberare rapidă
8. Roata din spate
9. Roata din fata
10. Pârghie de reglare a înălțimii
11. Mâner inferior
12. Manetă de eliberare rapidă superioară
13. Clemă pentru cablu
14. Comutator
15. Buton de siguranță

ASAMBLARE

ASAMBLAREA MÂNERULUI

1. De fiecare parte a mașinii de tuns iarba, așezați adaptorul în poziție pe cadrul mânerului, așezați mânerul inferior pe cârligul adaptorului și strângeți-l bine cu șurubul, mașina de spălat și maneta de eliberare rapidă (Fig. 2).
2. Așezați mânerul superior în poziție și strângeți-l bine folosind șurubul, șaiba și maneta de eliberare rapidă (Fig. 3).

NOTĂ:

Unde este cazul, asigurați-vă că așezați cârligul de fixare a cablului prelungitor (Fig. 1.3) în poziția de mânerul superior înainte de pasul „2”.

ANSAMBLU ȘI MONTAJ COLECTOR DE IARBĂ

Colectorul de iarbă (Fig. 1.6) împiedică aruncarea tăieturilor de iarbă pe gazon pe măsură ce tundeți.

1. Introduceți mânerul colectorului de iarbă (Fig. 4.1) în orificiile din partea superioară a colectorului de iarbă (Fig. 4.2) până când se fixează în poziție.
2. Aliniați secțiunile superioare și inferioare ale colectorului de iarbă și uniți. Asigurați-vă că clemele sunt amplasate corect și sigur.

NOTĂ:

Pentru modelele cu partea inferioară din plastic, uniți în prealabil partea stângă și dreapta într-o singură bucată (Fig. 4.3).

3. Ridicați clapeta colectorului cu o mână. Cu cealaltă mână, țineți colectorul de iarbă de mâner și fixați-l de sus (Fig. 5).

FUNCȚIONARE**AVERTISMENT**

Anterior conectării la o priză, verificați întotdeauna ca întrerupătorul să se afle în poziția Off!

PIEDICĂ PENTRU CABLUL PRELUNGITOR

Recomandăm utilizarea mașinii de tuns iarba în conformitate cu instrucțiunile din această secțiune pentru a obține rezultate optime și a reduce riscul de tăiere a cablului de alimentare. Așezați cea mai mare parte a cablului de alimentare pe peluză, aproape de punctul de alimentare. Treceți cablul prin piedica sa (Fig. 1.3).

REGLAREA ÎNĂLȚIMII DE TUNDERE

Această mașină electrică de tuns iarba este dotată cu un sistem de reglare a înălțimii cu 6 poziții pentru a tăia iarba la dimensiuni între 25 și 75 mm. Pentru a obține înălțimea de tundere dorită, osiile din față și din spate sunt repositionate dedesubtul corpului mașinii de tuns iarba. Reglați utilizând maneta regulatorului pe înălțime (Fig. 1.10) la dimensiunea dorită.

PORNIREA MOTORULUI

1. Conectați mașina la priza de curent, asigurându-vă că este conformă cu cerințele recomandate. Alimentarea cu curent ar trebui asigurată printr-un dispozitiv de curent rezidual (RCD) cu curent de declanșare de maxim 30 mA.
2. Înainte de pornirea mașinii de tuns iarba, țineți cu ambele mâini de ansamblul mânerului și apăsați în jos mânerul pentru a ridica ușor partea din față a mașinii (Fig. 6). Astfel se reduce riscul de afectare a peluzei în timpul pornirii.
3. Apăsați și țineți apăsat butonul de siguranță (Fig. 1.15) al ansamblului comutatorului în timp ce comutați on/off maneta de pornire (Fig. 1.1) către dumneavoastră. Odată ce mașina pornește, dați drumul butonului de pornire.
4. Lăsați motorul să prindă viteză, coborând ușor

mașina în poziția de tundere și începeți să vă deplasați cu aceasta (H).

Dop de mulcire

Dopul de mulcire trebuie utilizat atunci când mulci și niciodată în combinație cu colectarea sacilor. Scoateți punga de iarbă atunci când utilizați dopul de mulcire. Pentru a instala dopul de mulcire, ridicați refularea din spate și glisați în poziție (Fig. 8).

OPRIREA MOTORULUI

Opriti deplasarea mașinii, dezactivați maneta de on/off, iar aceasta va reveni automat în poziția off.

INDICATORUL DE VOLUM AL SACULUI DE COLECTARE IARBĂ

1. Dacă sacul de colectare iarbă este gol sau nu este complet plin cu iarbă, clapa indicatorului va rămâne deschisă (din cauza fluxului de aer) sau va oscila între închis și deschis pe măsură ce iarba se acumulează în sac.
2. Când sacul de iarbă atinge capacitatea maximă, clapa indicatorului de iarbă va rămâne închisă (din cauza restricționării fluxului de aer). Aceasta înseamnă că este momentul să goliți sacul.

SFATURI PENTRU TUNDEREA IERBII (Fig. 11)

Pentru a obține cele mai bune rezultate, tăiați iarba în direcții alternative, schimbând direcția de fiecare dată când tundeți. Tundeți iarba la înălțime egală. Suprapuneți ușor rândurile tunse.

ÎNȚREȚINERE**AVERTISMENT**

Înainte de curățarea, repararea sau inspectarea mașinii de tuns iarba, scoateți echipamentul din priză și asigurați-vă că toate piesele mobile s-au oprit complet.

ASPECTE GENERALE

Mașina de tuns iarba trebuie păstrată întotdeauna curată și fără iarbă, pământ și alte resturi.

Păstrați mânerul curat, uscat și fără urme de lubrifiant.

După fiecare operațiune de tundere, îndepărtați resturile de iarbă și murdăria acumulate fie cu o cârpă uscată, fie cu o perie de mână. Puteți curăța echipamentul și cu o cârpă umedă. Nu utilizați soluții de curățare sau solvenți abrazivi dat fiind că aceștia pot avaria părțile din plastic ale mașinii. Feriți mașina de pătrunderea apei în interior, în caz contrar apa putând deteriora comutatorul/mecanismul de alimentare și motorul electric.

Nu curățați mașina de tuns iarba sub apa de la robinet, mai ales cu apă cu presiune mare.

Înainte de orice utilizare, verificați ca toate piulițele, bolturile și șuruburile să fie bine strânse.

Inspectați frecvent sacul de colectare a ierbii să nu prezinte indicii de uzură și înlocuiți-l imediat cu unul original dacă este avariat.

Înlocuiți imediat piesele extrem de uzate sau avariate.

LUBRIFIAREA

Toți rulmenții acestui produs sunt lubrifiați cu o

cantitate suficientă de lubrifiant de înaltă calitate pentru a asigura ciclul de operare al unității în condiții normale. Astfel, nu este necesară nicio altă lubrifiere a rulmenților.

La începutul și la sfârșitul fiecărui sezon de cosit:

- ▶ Ungeți cu ulei slab arcurile ușii de evacuare din spate.
- ▶ Scoateți lamele și ansamblului rotorului și ungeți arborele motorului cu ulei slab sau ulei de motor. Pentru instrucțiuni, consultați secțiunea Înlocuirea lamelor.

ÎNTREȚINEREA LAMELOR IMPORTANT

Lama mașinii este ascuțită și poate cauza vătămări grave dacă este manipulată incorect. Înfășurați cu ceva lama sau purtați mănuși de protecție și aveți mare grijă la manipularea acesteia.

Lama din oțel este concepută să taie fin iarba lungă sau groasă. Deteriorarea calității tăierii indică uzarea sau avarierea lamei.

AVERTISMENT

O mașină de tuns iarba care vibrează excesiv indică faptul că lama nu este bine echilibrată sau s-a deformat din cauză că a lovit un obiect tare. În acest caz, lama trebuie reparată sau înlocuită. Vă rugăm să respectați procedurile adecvate de întreținere a lamei sau să apelați la un service.

ÎNLOCUIREA LAMEI (Fig. 12)

AVERTISMENT

Purtați mănuși rezistente când manipulați lama.

IMPORTANT

Pentru înlocuire, utilizați doar piese originale specificate pentru această mașină de tuns iarba.

1. Deconectați marina de la priză.
2. Întoarceți mașina pe o parte pentru a avea acces la locul lamei.
3. Utilizați mănuși rezistente sau o cârpă pentru a prinde lama.
4. Pentru a detașa bolțul lamei (Fig. 12.1), țineți bine lama cu o mână și cu o cheie pentru piulițe (Fig. 12.2) deșurubați bolțul rotindu-l în sensul invers acelor de ceas.
5. Montați noua lamă, șaiba și bolțul, aplicând aceleași etape de mai înainte, dar în sens invers.

PROTECTIA MEDIULUI

Reciclați materiile prime în loc să le aruncați ca deșeurii. Mașina, accesoriile și ambalajele trebuie sortate pentru reciclare ecologică. Componentele din plastic sunt etichetate pentru reciclare clasificată.

Acest produs nu trebuie eliminat împreună cu deșeurile menajere, în conformitate cu legislația relativă referitoare la deșeurile de echipamente electrice și electronice. Acest produs trebuie eliminat la un punct de colectare desemnat. Acest lucru se poate întâmpla, de exemplu, prin predarea la un punct de colectare autorizat pentru reciclarea deșeurilor de echipamente electrice și electronice. Manipularea necorespunzătoare a deșeurilor de echipamente poate avea consecințe negative

asupra mediului și sănătății umane din cauza substanțelor potențial periculoase care sunt adesea conținute în echipamentele electrice și electronice. Eliminând în mod corespunzător acest produs, contribuți și la utilizarea eficientă a resurselor naturale.

Puteți obține informații despre punctele de colectare a echipamentelor de deșeuri de la administrația dvs. municipală, autoritatea publică de eliminare a deșeurilor, un organism autorizat pentru eliminarea deșeurilor de echipamente electrice și electronice sau de la firma dvs. de eliminare a deșeurilor.

GARANȚIE

Acest produs este garantat în conformitate cu reglementările legale / specifice țării, începând cu data cumpărării de către primul utilizator. Daunele atribuite uzurii normale, suprasolicitării sau manipulării necorespunzătoare vor fi excluse din garanție. În cazul unei reclamații, vă rugăm să trimiteți mașina, complet asamblată, la dealerul dvs. sau la centrul de service oficial.

MAGYAR

ÁLTALÁNOS BIZTONSÁGI FIGYELMEZTETÉSEK

Olvasson el minden biztonsági figyelmeztetést és utasítást. A figyelmeztetések és utasítások be nem tartása áramütést, tüzet és/vagy súlyos sérülést okozhat. Őrizze meg az összes figyelmeztetést és utasítást későbbi hivatkozás céljából. A figyelmeztetésekben szereplő „elektromos szerszám” kifejezés az Ön hálózati (vezetékes) elektromos vagy akkumulátoros (vezeték nélküli) elektromos kéziszerszámára vonatkozik.

MUNKATERÜLET

A munkaterületet tartsa tisztán és jól megvilágítva. A zsúfolt vagy sötét területek balesetekhez vezethetnek.

Ne működtesse az elektromos szerszámokat robbanásveszélyes környezetben, például gyúlékony folyadékok, gázok vagy por jelenlétében. Az elektromos szerszámok szikrákat hoznak létre, amelyek meggyújthatják a port vagy a gőzöket.

Az elektromos kéziszerszám használata közben tartsa távol a gyerekeket és a közelben lévőket. A zavaró tényezők elveszítethetik az irányítást.

ELEKTROMOS BIZTONSÁG

Az elektromos szerszámok csatlakozóinak illeszkedniük kell a konnektorhoz. Soha semmilyen módon ne módosítsa a csatlakozót. Ne használjon adapterdugót földelt (földelt) elektromos szerszámokhoz. A nem módosított dugók és a megfelelő aljzatok csökkentik az áramütés kockázatát.

Kerülje a test érintkezését földelt vagy földelt felületekkel, mint például csövek, radiátorok, tűzhelyek és hűtőszekrények. Fennáll az áramütés veszélye, ha teste földelve van.

Ne tegye ki az elektromos szerszámokat esőnek vagy nedves körülményeknek. Az elektromos kéziszerszámba jutó víz növeli az áramütés kockázatát. Ne éljen vissza a vezetékkel. Soha ne használja a kábelt az elektromos kéziszerszám hordozására, húzására vagy kihúzására. Tartsa távol a kábelt hőtől, olajtól, éles szélektől és mozgó alkatrészeiktől. A sérült vagy összegabalyodott vezetékek növelik az áramütés kockázatát.

Ha az elektromos kéziszerszámot a szabadban használja, használjon kültéri használatra alkalmas hosszabbítót. A kültéri használatra alkalmas kábel használata csökkenti az áramütés kockázatát.

Ha az elektromos kéziszerszám nedves helyen történő használata elkerülhetetlen, használjon hibaáram-védő (RCD) védelemmel ellátott tápegységet. Az RCD használata csökkenti az áramütés kockázatát.

SZEMÉLYES BIZTONSÁG

Az elektromos szerszámok csatlakozóinak illeszkedniük kell a konnektorhoz. Soha semmilyen módon ne módosítsa a csatlakozót. Ne használjon adapterdugót földelt (földelt) elektromos szerszámokhoz. A nem módosított dugók és a megfelelő aljzatok

csökkentik az áramütés kockázatát.

Kerülje a test érintkezését földelt vagy földelt felületekkel, mint például csövek, radiátorok, tűzhelyek és hűtőszekrények. Fennáll az áramütés veszélye, ha teste földelve van.

Ne tegye ki az elektromos szerszámokat esőnek vagy nedves körülményeknek. Az elektromos kéziszerszámba jutó víz növeli az áramütés kockázatát. Ne éljen vissza a vezetékkel. Soha ne használja a kábelt az elektromos kéziszerszám hordozására, húzására vagy kihúzására. Tartsa távol a kábelt hőtől, olajtól, éles szélektől és mozgó alkatrészeiktől. A sérült vagy összegabalyodott vezetékek növelik az áramütés kockázatát.

Ha az elektromos kéziszerszámot a szabadban használja, használjon kültéri használatra alkalmas hosszabbítót. A kültéri használatra alkalmas kábel használata csökkenti az áramütés kockázatát.

Ha az elektromos kéziszerszám nedves helyen történő használata elkerülhetetlen, használjon hibaáram-védő (RCD) védelemmel ellátott tápegységet. Az RCD használata csökkenti az áramütés kockázatát.

ELEKTROMOS SZERSZÁMOK HASZNÁLATA ÉS GONDOZÁSA

Ne erőltesse az elektromos kéziszerszámot. Használja az alkalmazásának megfelelő elektromos szerszámot. A megfelelő elektromos kéziszerszám jobban és biztonságosabban végzi el a munkát a tervezett sebesség mellett.

Ne használja az elektromos kéziszerszámot, ha a kapcsoló nem kapcsolja be és ki. Minden olyan elektromos kéziszerszám, amely nem vezérelhető a kapcsolóval, veszélyes, ezért meg kell javítani.

Húzza ki a csatlakozódugót az áramforrásból és/vagy húzza ki az akkumulátort az elektromos kéziszerszámából, mielőtt bármilyen beállítást végezne, tartozékokat cserélne vagy eltávolítaná az elektromos szerszámokat. Az ilyen megelőző biztonsági intézkedések csökkentik az elektromos kéziszerszám véletlen beindításának kockázatát.

használaton kívüli elektromos szerszámokat gyermekektől elzárva tárolja, és ne engedje, hogy olyan személyek kezeljék az elektromos kéziszerszámot, akik nem ismerik az elektromos kéziszerszámot vagy ezeket az utasításokat. Az elektromos szerszámok veszélyesek szakképzetlen felhasználókké kezében.

Karbantartsa az elektromos szerszámokat. Ellenőrizze, hogy a mozgó alkatrészek nem illeszkednek-e vagy beszorultak-e, nem törnek-e el az alkatrészek, és minden olyan körülmény, amely befolyásolhatja az elektromos kéziszerszám működését. Ha megsérült, használat előtt javíttassa meg az elektromos kéziszerszámot. Sok balesetet a rosszul karbantartott elektromos szerszámok okoznak.

Tartsa a vágószerszámokat élesen és tisztán. A megfelelően karbantartott, éles vágóélekkel rendelkező vágószerszámok kisebb valószínűséggel ragadnak be, és könnyebben irányíthatók.

Az elektromos kéziszerszámot, a tartozékokat, szerszámhegyeket stb. ezen utasításoknak megfelelően használja, figyelembe véve a

munkakörülményeket és az elvégzendő munkát. Ha az elektromos kéziszerszámot a tervezettől eltérő műveletekre használja, veszélyes helyzet alakulhat ki.

SZOLGÁLTATÁS

Az elektromos kéziszerszámot szakképzett szerelővel javíttassa, kizárólag azonos cserealkatrészek felhasználásával. Ez biztosítja az elektromos kéziszerszám biztonságának megőrzését.

FÜNYÍRÓ BIZTONSÁGI FIGYELMEZTETÉSEK

Soha ne engedje, hogy gyermekek vagy olyan személyek használják a gépet, akik nem ismerik ezeket az utasításokat. A helyi előírások korlátozhatják a kezelő életkorát. Ha nem használja, tárolja a gépet gyermekektől elzárva.

Ezt a gépet nem használhatják csökkent fizikai, érzékszervi vagy szellemi képességekkel rendelkező személyek (beleértve a gyermekeket is), vagy nem rendelkeznek tapasztalattal és tudással, vagy nem rendelkeznek a szükséges felügyelettel őket, vagy nem utasította őket a gép használatára vonatkozóan. A gyerekeket felügyelni kell, hogy ne játszanak a géppel.

Soha ne nyírjon, ha emberek, különösen gyerekek, vagy háziállatok vannak a közelben.

Az üzemeltető vagy a felhasználó felelős a más személyeket vagy tulajdonukat érintő balesetekért vagy veszélyekért.

Ne működtesse a gépet mezítláb vagy nyitott szandálgal, mindig viseljen masszív lábbelit és hosszú nadrágot.

Alaposan vizsgálja meg azt a területet, ahol a gépet használni kívánja, és távolítsa el minden követ, botot, drótot, csontot és egyéb idegen tárgyat.

Használat előtt mindig szemrevételezéssel ellenőrizze, hogy a pengék, a pengecsavarok és a vágóegység nem koptak-e vagy sérültek-e. Cserélje ki a kopott vagy sérült pengéket és csavarokat készletben az egyensúly megőrzése érdekében.

Csak nappali fénynél vagy jó mesterséges megvilágításnál nyírjon.

Kerülje a kaszálást rossz időjárási körülmények között, különösen villámlás veszélye esetén.

Lehetőség szerint kerülje a gépet nedves fűben.

Sétálj, soha ne fuss.

Soha ne működtesse a készüléket hibás védőburkolatokkal vagy pajzsokkal, vagy biztonsági berendezések, például terelőlapok és/vagy fűgyűjtők nélkül.

Mindig viseljen fülvédőt.

A bankokon végzett munka veszélyes lehet.

► Ne nyírjon túl meredek lejtőkön.

► Lejtőkön vagy nedves fűben mindig ügyeljen a lábtartásra.

► Nyírás a lejtőkön keresztül – soha ne fel és le.

► Legyen rendkívül óvatos, amikor irányt változtat lejtőn.

Legyen rendkívül óvatos, amikor hátralep, vagy maga felé húzza a gépet.

Soha ne nyírjon úgy, hogy a fűnyírót maga felé húzza. Állítsa le a késeket, ha a gépet meg kell dönteni a szállításhoz, amikor nem fűvön halad át, és amikor a

gépet a nyírni kívánt területre szállítja.

Ne döntse meg a gépet indításkor vagy motor bekapcsoláskor, kivéve, ha a gépet meg kell dönteni az indításhoz hosszú fűben. Ebben az esetben ne döntse meg a feltétlenül szükségesnél jobban, és csak azt a részt döntse meg, amely távol van a kezelőtől. Mindig győződjön meg arról, hogy mindkét keze működési helyzetben van, mielőtt visszahelyezi a gépet a talajra.

Kapcsolja be a motort az utasításoknak megfelelően úgy, hogy a lábak távol vannak a forgó alkatrészekről.

Ne tegye kezét vagy lábát forgó alkatrészek közelébe vagy alá.

A gép üzemeltetése közben mindig tartózkodjon távol a leeresztő zónától.

Soha ne vegye fel és ne szállítsa a gépet, amíg a motor jár.

Ne módosítsa ezt a terméket. A jogosulatlan módosítások ronthatják a termék biztonságát, és fokozott zajt és vibrációt eredményezhetnek.

Rendszeresen ellenőrizze a tápkábelt és az esetleges hosszabbítókábeleket. Ne csatlakoztasson sérült kábeleket a tápellátáshoz, és ne érintse meg a sérült kábelt, mielőtt le nem választja a tápfeszültségről. A sérült kábel feszültség alatt álló részekkel érintkezhet. Ügyeljen az áramütés veszélyére.

HÚZZA KI A DUGÓT A KONNEKTORBÓL

Amikor elhagyja a gépet.

Dugulás megszüntetése előtt.

A gép ellenőrzése, tisztítása vagy a rajta végzett munka előtt.

Miután eltávolít egy idegen tárgyat. Vizsgálja meg a gépet, hogy nem sérült-e, és végezze el a szükséges javításokat.

Ha a gép rendellenesen vibrálni kezd (azonnal ellenőrizze).

CSATLAKOZÁS A TÁPEGYSÉGHEZ

Győződjön meg arról, hogy a gép adattábláján található tápellátási információk kompatibilisek azal tápegységgel, amelyhez csatlakoztatni kívánja.

Ez a készülék II. osztályú, és olyan tápegységhez való csatlakoztatásra szolgál, amely megfelel a névleges címkén feltüntetettnek, és kompatibilis a csatlakoztatott csatlakozóval. Ha hosszabbító kábelre van szükség, használjon jóváhagyott és kompatibilis, ehhez a készülékhez minősített vezetékét. Kövesse a hosszabbító vezetékhez mellékelt összes utasítást.

ÚTMUTATÓ A HOSSZABBÍTÓKÁBEL HASZNÁLATÁHOZ

Győződjön meg arról, hogy a hosszabbító kábel jó állapotban van. Hosszabbító kábel használatakor ügyeljen arra, hogy elég nehéz legyen ahhoz, hogy el tudja viselni a termék által felvett áramot. Az alulméretezett vezeték a hálózati feszültség csökkenését okozza, ami áramkimaradást és túlmelegedést eredményez.

Használat előtt mindig cserélje ki a sérült hosszabbítókábel, vagy javíttassa meg szakképzett személlyel. Óvja hosszabbítókábeleit éles tárgyaktól, túlzott hőtől és nedves/nedves területektől.

Használjon külön elektromos áramkört a

szerszámokhoz. Ezt az áramkört megfelelő késleltetett biztosítékkal kell védeni. Mielőtt csatlakoztatná a motort a tápvezetékhez, győződjön meg arról, hogy a kapcsoló OFF állásban van, és az elektromos feszültség megegyezik a motor adattábláján feltüntetett feszültséggel. Alacsonyabb feszültségen járás károsítja a motort.

TERMÉKLEÍRÁS

RENDELTETÉSSZERŰ HASZNÁLAT

Ezt a fűnyírót magáncélú lakossági használatra szánták, kis pázsitokon és kertekben történő fűnyírásra. Ne használja ezt a fűnyírót más célra, mint amire szánták.

MŰSZAKI ADATOK		
Cikkszám	46 520	
Modell	ELM 34/1400 PLUS	
Névleges feszültség	V	230-240
Névleges frekvencia	Hz	50
Propulziós rendszer		Push
Vágási szélesség	cm	34
Vágási magasság tartomány	mm	25-75 (6 pozíció)
Mulcsozó dugó		Yes
Névleges teljesítmény	W	1.400
Fűzsák kapacitása	L	35
Első kerék átmérője	mm	150
Hátsó kerék átmérője	mm	200
Kábelhosszúság	cm	35
Rezgésszint (ah)	m/s ²	4,5
Bizonytalanság (K)	m/s ²	1,5
Hangteljesítmény szint (LwA)	dB(A)	94
Garantált hangteljesítmény szint (LwA)	dB(A)	95,9
Bizonytalanság (K)	dB	1,85
Nettó tömeg	kg	13

AZONOSÍTÁS (1. ÁBRA)

1. BE/KI kapcsoló kar
2. Felső fogantyú
3. Hosszabbító kábel rögzítő kampó
4. Készülékkábel
5. Fűgyűjtő fogantyú
6. Fűgyűjtő
7. Alsó gyorskioldó kar
8. Hátsó kerék
9. Első kerék
10. Magasságállító kar
11. Alsó fogantyú
12. Felső gyorskioldó kar
13. Kábelcsipesz
14. Kapcsoló doboz
15. Biztonsági gomb

ÖSSZESZERELÉS

FOGANTYÚ ÖSSZESZERELÉS

1. A fűnyíró mindkét oldalán helyezze az adaptert a helyére a fogantyúkeretre, helyezze az alsó fogantyút az adapter ligetére, és szorosan húzza meg a csavarral, az alátéttel és a gyorskioldó karral (2. ábra).
2. Helyezze a felső fogantyút a helyére, és szorosan húzza meg a csavarral, az alátéttel és a gyorskioldó karral (3. ábra).

JEGYZET

Ahol lehetséges, ügyeljen arra, hogy a hosszabbító kábel rögzítőkampóját (1.3. ábra) a felső fogantyúra helyezze a „2. lépés” előtt.

FŰGYŰJTŐ ÖSSZEÁLLÍTÁS ÉS FELSZERELÉS

A fűgyűjtő (1.6. ábra) megakadályozza, hogy fűnyírás közben a levágott fű a pázsitra kerüljön.

1. Helyezze be a fűgyűjtő fogantyúját (4.1. ábra) a fűgyűjtő tetején lévő lyukakba (4.2. ábra), amíg a helyére nem kattannak.
2. Állítsa egy vonalba a felső és alsó fűgyűjtő részt, és csatlakoztassa. Győződjön meg arról, hogy a kapcsok megfelelően és biztonságosan helyezkednek el.

JEGYZET

Műanyag alsó résszel rendelkező modelleknél a bal és a jobb oldalt előzőleg illesse össze egy darabban (4.3. ábra).

3. Egy kézzel emelje fel a kollektor fedelét. A másik kezével fogja meg a fűgyűjtőt a fogantyúnál, és akassza be felülről (5. ábra).

MŰVELET

FIGYELEM

hálózatra való csatlakoztatás előtt mindig ellenőrizze, hogy a kapcsoló kikapcsolt állásban van-e!

HOSSZABBÍTÓ KÁBEL RÖGZÍTÉS

Javasoljuk, hogy a fűnyírót az ebben a részben leírtak szerint használja az optimális eredmény elérése és a hálózati kábel elvágásának kocká-

zatának csökkentése érdekében. Helyezze a hálózati kábel nagy részét a gyepra, közel a kiindulási ponthoz. Vezesse át a kábelt a kábelrögzítőn (1.3. ábra).

A VÁGÁSI MAGASSÁG BEÁLLÍTÁSA

Ez az elektromos fűnyíró 6 állású magasságállító rendszerrel van felszerelve a 25 és 75 mm közötti fűnyírási magasságok testreszabásához. A kívánt vágási magasság eléréséhez az első és a hátsó tengelyt áthelyezik a fűnyíró testének alsó oldalán. A magasságállító fogantyúval (1.10. ábra) állítsa be a kívánt magasságot.

A MOTOR INDÍTÁSA

1. Csatlakoztassa a gépet az elektromos hálózathoz, ügyelve arra, hogy megfeleljen az ajánlott követelményeknek. Az áramellátást legfeljebb 30 mA kioldóáramú maradékáram-kapcsolón (RCD) kell biztosítani.
2. Fűnyíró elindítása előtt fogja meg a fogantyút mindkét kezével, és döntse lefelé a fogantyút, hogy kissé megemelje a fűnyíró elejét (6. ábra). Ez csökkenti a pázsit károsodásának kockázatát az indítás során.
3. Nyomja meg és tartsa lenyomva a kapcsolószelvény biztonsági gombját (1.15. ábra), miközben maga felé húzza a be-/kikapcsoló kart (1.1. ábra). A gép bekapcsolása után engedje el a biztonsági zár gombot.
4. Hagyja felpörögni a motort, finoman engedje le a fűnyíró vágási helyzetbe, és kezdje el a fűnyírást (7. ábra).

MULCSOZÓ DUGÓ

A mulcsozó dugót talajtakaráskor kell használni, és soha nem kombinálható zsákos gyűjtéssel. Távolítsa el a fűzsákokat a mulcsozódugó használatkor. A talajtakaró dugó beszereléséhez emelje fel a hátsó leeresztőt, és csúsztassa a helyére (8. ábra).

A MOTOR LEÁLLÍTÁSA

A fűnyíró leállításához engedje el a be-/kikapcsoló kart, és az automatikusan visszatér kikapcsolt helyzetébe.

FÜGYŰJTŐ ZSÁK TÉRFOGATJELZŐ

1. Ha a fűgyűjtő zsák üres, vagy nincs teljesen tele fűvel, a fűjelző fedél nyitva marad (a levegő áramlása miatt), vagy kinyílik és becsukódik, ahogy a fű felhalmozódik a zsákban.
2. Ha a fűgyűjtő zsák üres, vagy nincs teljesen tele fűvel, a fűjelző fedél nyitva marad (a levegő áramlása miatt), vagy kinyílik és becsukódik, ahogy a fű felhalmozódik a zsákban. Amikor a fűzsák eléri a maximális kapacitását, a fűjelző fedél zárva marad (a korlátozott légáramlás miatt). Ez jelzi, hogy ideje kiüríteni a zsákokat.

NYÍRÁSI TIPPEK (11. ÁBRA)

A legjobb eredmény elérése érdekében nyírja a pázsitot más irányban, és minden egyes vágásnál váltson irányt. Vágja le a pázsitot egyenlő és azonos magasságban. Kissé fedje át a vágási vonalakat.

KARBANTARTÁS

FIGYELEM

A fűnyíró tisztítása, javítása vagy ellenőrzése előtt húzza ki az egység tápellátását, és ellenőrizze, hogy minden mozgó alkatrész teljesen leállt.

TÁBORNOK

Fűnyírót mindig tartsa tisztán, fűtől, szennyeződéstől és egyéb törmeléktől mentesen.

Tartsa a fogantyúkat szárazon, tisztán, olaj- és zsírmentesen.

Minden vágás után száraz ruhával vagy kézi kefével távolítsa el a felgyülemlt fűvet és törmeléket. A berendezést nedves ruhával is megtisztíthatja. Ne használjon tisztítószereket vagy erős oldószereket, mert ezek károsíthatják a berendezés műanyag alkatrészeit. Ügyeljen arra, hogy ne hatoljon víz a berendezés belsejébe, mivel a beszívott víz tönkretelheti a kapcsoló/dugó mechanizmust és az elektromos motort.

Ne tisztítsa a fűnyíró folyó vízzel, különösen nagy nyomású vízzel.

Minden használat előtt ellenőrizze az anyák, csavarok és csavarok megfelelő meghúzását.

Gyakran ellenőrizze a fűgyűjtő zsákokat, hogy nincs-e rajta kopás, és azonnal cserélje ki eredeti alkatrészre, ha sérülést észlel.

A túlzottan kopott vagy sérült alkatrészeket azonnal cserélje ki.

KENÉS

termékben található összes csapágy megfelelő minőségű kiváló minőségű kenőanyaggal van kenve az egység normál működési körülményei melletti élettartamára. Ezért nincs szükség a csapágyak további kenésére.

Minden fűnyírési szezon elején és végén

► Kenje meg könnyű olajjal a hátsó kisütőajtó rugókat.

► Távolítsa el a pengét és a penge rotor egységet, és kenje meg a motor tengelyt könnyű olajjal vagy motorolajjal. Útmutatásért lásd a Pengecsere című részt.

A KÉS KARBANTARTÁSA

FONTOS

A fűnyíró penge éles, és helytelen kezelés esetén súlyos személyi sérülést okozhat. Tekerje be a pengét vagy viseljen védőkesztyűt, és legyen fokozott óvatosság a kezelés során.

Az acélpengét úgy tervezték, hogy finom vágást biztosítson hosszú vagy kemény fűben. A vágás minőségének romlása a penge kopását vagy sérülését jelzi.

FIGYELEM

túlzottan vibráló fűnyíró azt jelzi, hogy a penge nincs megfelelően kiegyensúlyozva, vagy deformálódott egy tárgynak való ütközés következtében. Ebben az esetben a pengét meg kell javítani vagy ki kell cserélni. Kérjük, kövesse a megfelelő karbantartási eljárásokat a pengeápoláshoz, vagy hívja a szervizközpontot.

PENGECSERE (12. ÁBRA) FIGYELEM

Viseljen erős kesztyűt a penge kezelésekor.

FONTOS

Csak ehhez a fűnyíróhoz előírt eredeti cserealkatrészeket használjon.

1. Válassza le a fűnyíró elektromos tápellátását.
2. Fordítsa a fűnyíróát az oldalára, hogy szabadabb tegye a fűnyíróház alsó részét.
3. Viseljen erős kesztyűt, vagy használjon ruhát a pengéhez.
4. A pengecsavar (12.1. ábra) eltávolításához tartsa erősen a pengét egyik kezével, és egy villáskulccsal (12.2. ábra) lazítsa meg a pengecsavart az óramutató járásával ellentétes irányba forgatva.
5. Helyezze vissza az új pengét, az alátétet és a csavart, ugyanezeket a lépéseket fordított sorrendben.

KÖRNYEZETVÉDELEM

Hasznosítsa újra a nyersanyagokat ahelyett, hogy hulladékként dobná el. A gépet, a tartozékokat és a csomagolást szét kell válogatni a környezetbarát újrahasznosítás érdekében. A műanyag alkatrészek kategorizált újrahasznosítás céljából vannak felcímkézve.

Ezt a terméket nem szabad a háztartási hulladékkal együtt kidobni az elektromos és elektronikus berendezések hulladékaira vonatkozó jogszabályoknak megfelelően. Ezt a terméket a kijelölt gyűjtőhelyen kell leadni. Ez történhet például az elektromos és elektronikus berendezések hulladékainak újrahasznosítására kijelölt gyűjtőhelyen történő leadásával. A hulladék berendezések nem megfelelő kezelése negatív következményekkel járhat a környezetre és az emberi egészségre az elektromos és elektronikus berendezésekben gyakran előforduló potenciálisan veszélyes anyagok miatt. A termék megfelelő ártalmatlanításával Ön a természeti erőforrások hatékony felhasználásához is hozzájárul. hulladékok gyűjtőhelyeiről tájékozódhat az önkormányzattól, a hulladékkezelésért felelős hatóságtól, az elektromos és elektronikus berendezések hulladékainak ártalmatlanításával megbízott szervezettől vagy a hulladékártalmatlanító cégtől.

GARANCIA

Erre a termékre a törvényi/országspecifikus előírásoknak megfelelő garanciát vállalunk, amely az első felhasználó általi vásárlás napjától érvényes. A normál kopásból, túlterhelésből vagy szakszerűtlen kezeléssel eredő károk nem tartoznak a garancia hatálya alá. Reklamáció esetén kérjük, küldje el a gépet teljesen összeszerelve a kereskedőhöz vagy a hivatalos szervizközpontoz.

LIETUVIŲ K.

BENDRIEJI SAUGOS ĮSPĖJIMAI

Persikaitykite visus saugos įspėjimus ir instrukcijas. Perspėjimų ir instrukcijų nesilaikymas gali sukelti elektros smūgį, gaisrą ir (arba) rimtus sužalojimus. Išsaugokite visus įspėjimus ir instrukcijas, kad galėtumėte pasinaudoti aiteityje. Įspėjimuose vartojamas terminas „elektrinis įrankis“ reiškia iš tinklo (laidinį) elektrinį įrankį arba akumuliatorinį (belaidį) elektrinį įrankį.

DARBO ZONA

Laikykite darbo vietą švarią ir gerai apšviestą. Netvarkingos arba tamsios vietos sukelia nelaimingus atsitikimus.

Nenaudokite elektrinių įrankių sprogioje aplinkoje, pvz., ten, kur yra degių skysčių, dujų ar dulkių. Elektriniai įrankiai sukuria kibirkštis, kurios gali uždegti dulkes arba dūmus.

Dirbdami su elektriniu įrankiu saugokite vaikus ir pašalinius asmenis. Dėl išsiblaškyimo galite prarasti kontrolę.

ELEKTROS SAUGA

Elektrinio įrankio kištukai turi atitikti laidą. Niekada jokiu būdu nemodifikuokite kištuko. Nenaudokite adapterių kištukų su žemintais (žemintais) elektriniais įrankiais. Nepakeisti kištukai ir atitinkami laidai sumažins elektros smūgio riziką.

Venkite kūno kontakto su žemintais paviršiais, tokiais kaip vamzdžiai, radiatoriai, viryklės ir šaldytuvai. Jei jūsų kūnas yra žemintas arba žemintas, padidėja elektros smūgio rizika.

Saugokite elektrinius įrankius nuo lietaus ar drėgnų sąlygų. Į elektrinį įrankį patekęs vanduo padidins elektros smūgio riziką.

Nepiktnaudžiaukite laidu. Niekada nenaudokite laido elektrinio įrankio nešimui, traukimui ar atjungimui. Laikykite laidą toliau nuo karščio, alyvos, aštrių briaunų ir judančių dalių. Pažeisti arba įsipaioję laidai padidina elektros smūgio riziką.

Kai naudojate elektrinį įrankį lauke, naudokite ilginamąjį laidą, tinkamą naudoti lauke. Naudojant lauke tinkamą laidą sumažėja elektros smūgio rizika. Jei elektrinį įrankį naudoti drėgnoje vietoje neišvengiama, naudokite nuotėkio srovės įtaiso (RCD) apsaugotą maitinimą. RCD naudojimas sumažina elektros smūgio riziką.

ASMENINIS SAUGUMAS

Elektrinio įrankio kištukai turi atitikti laidą. Niekada jokiu būdu nemodifikuokite kištuko. Nenaudokite adapterių kištukų su žemintais (žemintais) elektriniais įrankiais. Nepakeisti kištukai ir atitinkami laidai sumažins elektros smūgio riziką.

Venkite kūno kontakto su žemintais paviršiais, tokiais kaip vamzdžiai, radiatoriai, viryklės ir šaldytuvai. Jei jūsų kūnas yra žemintas arba žemintas, padidėja elektros smūgio rizika.

Saugokite elektrinius įrankius nuo lietaus ar drėgnų sąlygų. Į elektrinį įrankį patekęs vanduo padidins elektros smūgio riziką.

Nepiktnaudžiaukite laidu. Niekada nenaudokite

laido elektrinio įrankio nešimui, traukimui ar atjungimui. Laikykite laidą toliau nuo karščio, alyvos, aštrių briaunų ir judančių dalių. Pažeisti arba įsipainioję laidai padidina elektros smūgio riziką.

Kai naudojate elektrinį įrankį lauke, naudokite ilginamąjį laidą, tinkamą naudoti lauke. Naudojant lauke tinkamą laidą sumažėja elektros smūgio rizika. Jei elektrinį įrankį naudoti drėgnose vietose neišvengiama, naudokite nuotėkio srovės įtaiso (RCD) apsaugotą maitinimą. RCD naudojimas sumažina elektros smūgio riziką.

ELEKTRINIO ĮRANKIO NAUDOJIMAS IR PRIEŽIŪRA

Nespauskite elektrinio įrankio jėga. Naudokite savo reikmės tinkamą elektrinį įrankį. Tinkamas elektrinis įrankis atliks darbą geriau ir saugiau tokiu greičiu, kuriam jis buvo sukurtas.

Nenaudokite elektrinio įrankio, jei jungiklis jo neįjungia ir neišjungia. Bet koks elektrinis įrankis, kurio negalima valdyti jungikliu, yra pavojingas ir turi būti suremontuotas.

Prieš atlikdami bet kokius reguliavimus, keisdami priedus arba laikydami elektrinius įrankius, atjunkite kištuką nuo maitinimo šaltinio ir (arba) akumuliatorių nuo elektrinio įrankio. Tokios prevencinės saugos priemonės sumažina elektrinio įrankio netyčinio įjungimo riziką.

Nenaudojamus elektrinius įrankius laikykite vaikams nepasiekiamoje vietoje ir neleiskite su elektriniu įrankiu arba šiomis instrukcijomis nesusipažinusiems asmenims naudotis elektriniu įrankiu. Elektriniai įrankiai yra pavojingi neapmokytų naudotojų rankose.

Pržiūrėkite elektrinius įrankius. Patikrinkite, ar judančios dalys nėra susulygiuotos arba nesusisirusios, ar dalys nesulūžusios ir ar nėra kitų sąlygų, kurios gali turėti įtakos elektrinio įrankio veikimui. Jei elektrinis įrankis pažeistas, prieš naudodami jį suremontuokite. Daug nelaimingų atsitikimų įvyksta dėl prastai pržiūrėtų elektrinių įrankių.

Pjovimo įrankius laikykite aštrius ir švarius. Tinkamai pržiūrėti pjovimo įrankiai su aštriomis pjovimo briaunomis rečiau įsipainioja ir yra lengviau valdomi. Elektrinį įrankį, priedus, įrankių antgalius ir pan. naudokite pagal šias instrukcijas, atsižvelgdami į darbo sąlygas ir atliekamą darbą. Naudojant elektrinį įrankį kitokiems nei numatyta darbams, gali susidaryti pavojinga situacija.

APTARNAVIMAS

Pasirūpinkite, kad jūsų elektrinį įrankį aptarnautų kvalifikuotas remontininkas, naudodamas tik identiškas atsargines dalis. Taip bus užtikrintas elektrinio įrankio saugumas.

SAUGOS ĮSPĖJIMAI ŽEJOJAMS

Niekada neleiskite vaikams arba žmonėms, kurie nėra susipažinę su šiomis instrukcijomis, naudotis mašina. Vietos taisyklės gali apriboti operatoriaus amžių. Nenaudojamą mašiną laikykite vaikams nepasiekiamoje vietoje.

Si mašina nėra skirta naudoti asmenims (įskaitant vaikus), kurių fizinės, jutimo ar psichikos negalios arba neturintys patirties ir žinių, nebent už jų saugumą atsakingas asmuo juos pržiūrėtų arba

instrukuotų apie mašinos naudojimą. Vaikus reikia pržiūrėti, kad jie nežaistų su mašina.

Niekada nepjunkite, kai šalia yra žmonių, ypač vaikų, ar naminių gyvūnų.

Operatorius arba naudotojas atsako už nelaimingus atsitikimus ar pavojus, kylančius kitiems žmonėms ar jų turtui.

Nenaudokite mašinos basomis kojomis arba avėdami atvirus sandalus, visada avėkite tvirtą avilynę ir avėkite ilgas kelnes.

Kruopščiai apžiūrėkite vietą, kurioje mašina bus naudojama, ir pašalinkite visus akmenis, pagaliukus, laidus, kaulus ir kitus pašalinius daiktus.

Prieš naudodami visada apžiūrėkite, ar ašmenys, ašmenų varžtai ir pjaustytuvo mazgas nesusidėvėję arba nepažeisti. Pakeiskite nusidėvėjusius arba pažeistus peilius ir varžtus rinkiniais, kad išlaikytumėte pusiausvyrą.

Pjunkite tik dienos šviesoje arba esant geram dirbtiniam apšvietimui.

Venkite pjauti esant blogoms oro sąlygoms, ypač kai yra žaibo pavojus.

Jei įmanoma, nenaudokite mašinos šlapioje žolėje.

Vaikščiokite, niekada nebėgkite.

Niekada nenaudokite prietaiso su pažeistomis apsaugomis ar skydais arba be saugos įtaisų, pavyzdžiui, deflektorių ir (arba) žolės surinktuvų.

Visada dėvėkite ausų apsaugą.

Darbas bankuose gali būti pavojingas.

▶ Nepjunkite per stačią šlaitų.

▶ Visada būkite tikri, kad stovėsite ant šlaitų ar šlapios žolės.

▶ Pjunkite skersai šlaitų – niekada aukštyn ir žemyn.

▶ Būkite ypač atsargūs keisdami kryptį šlaituose.

Būkite ypač atsargūs atsitraukdami arba traukdami mašiną link savęs.

Niekada nepjunkite vejamąjį traukdami į save.

Sustabdykite peilius, jei mašina turi būti pakreipta transportuojant, kai kertate ne žolę, o kitą paviršių ir transportuojate mašiną į ir iš pjaunamos vietos.

Nepakreipkite mašinos, kai paleidžiate arba įjungiate variklį, išskyrus tuos atvejus, kai mašina turi būti pakreipta norint paleisti ilgą žolę. Tokiu atveju nepakreipkite jo daugiau nei būtina ir pakreipkite tik tą dalį, kuri yra toliau nuo operatoriaus. Prieš grąžindami mašiną ant žemės, visada įsitikinkite, kad abi rankos yra darbo padėtyje.

Įjunkite variklį pagal instrukcijas, pėdas atokiai nuo besisukančių dalių.

Nekiškite rankų ar kojų prie besisukančių dalių arba po jais.

Dirbdami su mašina visada stovėkite toliau nuo išleidimo zonos.

Niekada nekelkite ir neneškite mašinos, kai veikia variklis.

Nekeiskite šio gaminio. Neleistini pakeitimai gali paakenkti jūsų gaminio saugai ir padidinti triukšmą bei vibraciją.

Reguliarai tikrinkite maitinimo kabelį ir visus ilginamuosius laidus. Nejunkite pažeistų kabelių prie maitinimo šaltinio ir nelieskite pažeisto laido, kol jis nėra atjungtas nuo maitinimo šaltinio. Pažeistas laidas gali liestis su įtampingosiomis dalimis. Saugokitės elektros smūgio pavojaus.

ĮŠTRAUKITE KIŠTUKĄ IŠ LIZDO

Kai tik paliekate mašiną.

Prieš pašalindami užsikimšimą.

Prieš tikrindami, valydami ar dirbdami su mašina.

Atsitraukus į svetimą objektą. Patikrinkite, ar mašina nepažeista, ir prireikus pataisykite.

Jei mašina pradeda neįprastai vibruoti (nedelsdami patikrinkite).

PRIJUNGIMAS PRIE MAITINIMO ŠALTINIO

Įsitikinkite, kad įrenginio duomenų lentelėje nurodyta maitinimo šaltinio informacija yra suderinama su maitinimo šaltiniu, prie kurio ketinate jį prijungti. Šis prietaisas yra II klasės ir skirtas prijungti prie maitinimo šaltinio, atitinkančio etiketėje nurodytą specifikaciją ir suderinamą su įmontuotu kištuku. Jei reikalingas ilginamasis laidas, naudokite patvirtintą ir suderinamą laidą, skirtą šiam prietaisui. Vykdykite visas instrukcijas, pateiktas su ilginamoju laidu.

ILGINIMO LAIDŲ NAUDOJIMO GAIRĖS

Įsitikinkite, kad ilginamasis laidas yra geros būklės. Kai naudojate ilginamąjį laidą, naudokite pakankamai sunkų, kad išlaikytų srovę, kurią gamins ims. Dėl per mažo laido sumažės tinklo įtampa, dėl to dings maitinimas ir perkais.

Prieš naudodami pažeistą ilginamąjį laidą, visada pakeiskite arba leiskite jį suremontuoti kvalifikuotam asmeniui.

Saugokite ilginamuosius laidus nuo aštrių daiktų, per didelio karščio ir drėgnų/šlapių vietų. Įrankiams naudokite atskirą elektros grandinę. Ši grandinė turi būti apsaugota atitinkamu uždelsito saugikliu. Prieš prijungdami variklį prie maitinimo linijos, įsitikinkite, kad jungiklis yra OFF padėtyje, o elektros įtampa yra tokia pati kaip įtampa, nurodyta variklio vardinėje plokštelėje. Veikiant žemesnei įtampa sugadinsite variklį.

PRODUKTO SPECIFIKACIJOS

PASKIRTIS

Ši vejapjovė skirta privačiam naudojimui, norint pjauti žolę mažose vejose ir soduose. Nenaudokite šios vejapjovės jokiems kitiems tikslams nei tiems, kuriems ji skirta.

TECHNINIAI DUOMENYS		
Straipsnio numeris		46 520
Modelis	ELM 34/1400 PLUS	
Nominali įtampa	V	230-240
Vardinis dažnis	Hz	50
Varomoji sistema	Push	
Pjovimo plotis	cm	34

TECHNINIAI DUOMENYS		
Straipsnio numeris		46 520
Modelis	ELM 34/1400 PLUS	
Pjovimo aukščio diapazonas	mm	25-75 (6 pozicijos)
Mulčiavimo kamštis		Yes
Vardinė galia	W	1.400
Žolės maišo talpa	L	35
Priekinio rato skersmuo	mm	150
Galinio rato skersmuo	mm	200
Laido ilgis	cm	35
Vibracijos lygis (ah)	m/s ²	4,5
Neapibrėžtis (K)	m/s ²	1,5
Garso galios lygis (LwA)	dB(A)	94
Garantuotas garso galios lygis (LwA)	dB(A)	95,9
Neapibrėžtis (K)	dB	1,85
Grynas svoris	kg	13

IDENTIFIKACIJA (1 PAV.)

- ON/OFF jungiklio svirtis
- Viršutinė rankena
- Prailginimo laido sulaukymo kabliukas
- Prietaiso laidas
- Žolės surinkimo rankena
- Žolės rinkėjas
- Apatinė greito atleidimo svirtis
- Galinis ratas
- Priekinis ratas
- Aukščio reguliavimo svirtis
- Apatinė rankena
- Viršutinė greito atleidimo svirtis
- Kabelio klipas
- Jungiklių dėžė
- Saugos mygtukas

MONTAVIMAS

RANKENOS SURINKIMAS

- Kiekvienoje vejapjovės pusėje uždėkite adapterį ant rankenos rėmo, apatinę rankeną uždėkite ant adapterio griovelio ir tvirtai priveržkite varžtu, poveržle ir greito atleidimo svirtimi (2 pav.).
- Uždėkite viršutinę rankeną ir tvirtai priveržkite varžtu, poveržle ir greito atleidimo svirtimi (3 pav.).

PASTABA

Jei reikia, prieš „2“ veiksmą būtinai uždėkite ilgin-tuvo suvaržymo kabliuką (1.3 pav.) ant viršutinės rankenos.

ŽOLĖS RINKTUVO SURINKIMAS IR MONTAVIMAS

Žolės rinktuvas (1.6 pav.) apsaugo nuo nupjau-tos žolės mėtymo per veją pjaunant.

1. Įkiškite žolės surinkimo rankenėlę (4.1 pav.) į žolės surinktuvo viršuje esančias angas (4.2 pav.), kol ji užsifiksuos.
2. Sulygiuokite viršutinę ir apatinę žolės rinktuvo dalis ir sujunkite. Įsitikinkite, kad spaustukai yra tinkamai ir saugiai.

PASTABA

Modeliuose su plastikine apatine dalimi iš anksto sujunkite kairę ir dešinę puses į vieną dalį (4.3 pav.).

3. Viena ranka pakelkite kolektoriaus sklendę. Kita ranka laikykite žolės rinktuvą už ranke-nos ir užkabinkite iš viršaus (5 pav.).

OPERACIJA**ĮSPĖJIMAS**

Prieš prijungdami prie maitinimo tinklo, visada pa-tikrinkite, ar jungiklis yra išjungtoje padėtyje!

PRAILGINIMO LAIDO SUVARŽYMAS

Rekomenduojame naudoti vejapjovę, kaip aprašyta šiose skyriuje, kad pasiektumėte op-timalius rezultatus ir sumažintumėte maitinimo laido nupjovimo riziką. Didžiąją dalį maitinimo laido pastatykite ant vejės, arti pradžios taško. Prakiškite kabelį per kabelio atramą (1.3 pav.).

PJOVIMO AUKŠČIO REGULIAVIMAS

Ši elektrinė vejapjovė turi 6 padėčių aukščio reguliavimo sistemą, leidžiančią pritaikyti žolės pjovimo aukštį nuo 25 iki 75 mm. Norint pasiek-ti norimą pjovimo aukštį, priekinė ir galinė ašys perkeliamos apatinėje vejapjovės korpuso pusė-je. Aukščio reguliavimo rankena (1.10 pav.) nus-tatykite norimą aukštį.

VARIKLIO PALEIDIMAS

1. Įjunkite mašiną į elektros tinklą ir įsitikinkite, kad jis atitinka rekomenduojamus reikalavi-mus. Elektros energija turėtų būti tiekiamą per liekamosios srovės įtaisą (RCD), kurio iš-jungimo srovė ne didesnė kaip 30 mA.

2. Prieš paleisdami vejapjovę, laikykite už ranke-nos bloko abiem rankomis ir pakreipkite rankeną žemyn, kad šiek tiek pakeltumėte vejapjovės priekį (6 pav.). Tai sumažins vejės pažeidimo riziką paleidimo metu.

3. Paspauskite ir palaikykite jungiklių bloko saugos mygtuką (1.15 pav.), traukdami įjun-gimo/išjungimo svirtį (1.1 pav.) link savęs. Kai mašina įsijungia, atleiskite saugos užrakto mygtuką.

4. Leiskite varikliui įsibėgėti, švelniai nuleiskite vejapjovę į pjovimo padėtį ir pradėkite pjauti (7 pav.).

MULČIAVIMO KAIŠTIS

Mulčiavimo kaištis turi būti naudojamas mulči-uojant ir niekada kartu su maišų surinkimu. Naudodami mulčiavimo kaištį, nuimkite žolės maišą. Norėdami sumontuoti mulčiavimo kaištį, pakelkite galinį išmetimą ir pastumkite į vietą (8 pav.).

VARIKLIO SUSTABDYMAS

Norėdami sustabdyti vejapjovę, atleiskite įjun-gimo/išjungimo svirtį ir ji automatiškai grįš į išjungimo padėtį.

ŽOLĖS SURINKIMO MAIŠELIO TŪRIO INDIKATORIUS

1. Jei žolės surinkimo maišas tuščias arba nėra pilnai pripildytas žolės, žolės indikatorius dangtelis liks atidarytas (dėl oro srauto) arba atsidarys ir užsidarys, kai žolė kaupiasi maiše.
2. Jei žolės surinkimo maišas tuščias arba nėra pilnai pripildytas žolės, žolės indikatorius dan-gtelis liks atidarytas (dėl oro srauto) arba at-sidarys ir užsidarys, kai žolė kaupiasi maiše. Kai žolės maišas pasiekia didžiausią talpą, žolės in-dikatoriaus dangtelis liks uždarytas (dėl riboto oro srauto). Tai rodo, kad laikas ištuštinti maišą.

PJOVIMO PATARIMAI (11 PAV.)

Norėdami gauti geriausius rezultatus, pjaukite veją kitomis kryptimis, kiekvieną kartą keis-dami kryptį. Pjaukite veją vienojame ir tame pačiame aukštyje. Šiek tiek perdenkite pjovimo linijas.

PRIEŽIŪRA**ĮSPĖJIMAS**

Prieš valydami, remontuodami arba tikrindami vejapjovę, atjunkite įrenginio maitinimą ir pa-tikrinkite, ar visos judančios dalys visiškai sustojo.

BENDROJI

Visada laikykite vejapjovę švorią ir be žolės, nešvarumų ar kitų šiukšlių.

Rankenos turi būti sausas, švarios ir be alyvos ir riebalų.

Po kiekvieno pjovimo seanso pašalinkite susikaup-usią žolės likučius ir šiukšles, naudodami sausą skudurą arba rankinį šepetį. Įrangą taip pat gal-ite valyti drėgna šluoste. Nenaudokite valymo priemonių ar stiprių tirpiklių, nes jie gali suga-dinti įrangos plastikinės dalis. Įsitikinkite, kad vanduo nepatenka į įrangos vidų, nes įsiurbtas vanduo gali sugadinti jungiklio/kištuko mecha-nizmą ir elektros variklį.

Nevalykite vejapjovės tekančiu vandeniu, ypač aukšto slėgio vandeniu.

Prieš kiekvieną naudojimą patikrinkite, ar visos veržlės, varžtai ir varžtai yra tinkamai priveržti. Dažnai tikrinkite žolės surinkimo maišelį, ar nėra nusidėvėjimo požymių, ir nedelsdami pa-keiskite originalia dalimi, jei pastebėsite pažei-dimą.

Nedelsdami pakeiskite pernelyg susidėvėjusias arba pažeistas dalis.

TEPIMAS

Visi šio gaminio guoliai yra sutepti pakankamu kiekiu aukštos kokybės tepalų visam įrenginio eksploatavimo laikui normaliomis eksploatavimo sąlygomis. Todėl daugiau guolių tepti nereikia.

Kiekvieno pjovimo sezono pradžioje ir pabaigoje

- ▶ Lengva alyva sutepkite galinių iškroviklio dūrelių spyruokles.
- ▶ Nuimkite ašmenis ir ašmenų rotoriaus bloką ir sutepkite variklio veleną lengva alyva arba variklio alyva. Instrukcijas rasite skyriuje Ašmenų keitimas.

ESMENŲ PRIEŽIŪRA SVARBU

Vejapjovės peilis yra aštrus ir netinkamai elgiamasi gali sukelti sunkius kūno sužalojimus. Apvyniokite ašmenis arba mūvėkite apsaugines pirštines ir dirbdami būkite ypač atsargūs.

Plieninis peilis sukurtas taip, kad būtų galima puikiai pjauti ilgą arba kietą žolę. Pjovimo kokybės pablogėjimas rodo ašmenų susidėvėjimą arba pažeidimą.

ĮSPĖJIMAS

Pernelyg vibruojanti vejapjovė rodo, kad peilis nėra tinkamai subalansuotas arba deformavosi atsitrenkus į daiktą. Tokiu atveju peilis turi būti suremontuotas arba pakeistas. Vykdykite tinkamas peilių priežiūros procedūras arba kreipkitės į techninės priežiūros centrą.

AŠMENŲ KEITIMAS (12 PAV.)

ĮSPĖJIMAS

Dirbdami su peiliuku mūvėkite tvirtas pirštines.

SVARBU

Naudokite tik originalias atsargines dalis, nurodytas šiai vejapjovei.

1. Atjunkite vejapjovės elektros tiekimą.
2. Pasukite vejapjovę ant šono, kad būtų atskleista apatinė ašmenų korpuso dalis.
3. Mūvėkite tvirtas pirštines arba naudokite skudurėlį, kad suimtumėte ašmenis.
4. Norėdami nuimti ašmenų varžtą (12.1 pav.), viena ranka tvirtai laikykite peilį ir veržliarakčių (12.2 pav.) atlaisvinkite ašmenų varžtą, sukdami jį prieš laikrodžio rodyklę.
5. Sumontuokite naują peilį, poveržlę ir varžtą, atlikdami tuos pačius veiksmus atvirkštine tvarka.

APLINKOS APSAUGA

Perdirbkite žaliavas, o ne išmeskite kaip atliekas. Mašina, priedai ir pakuotės turi būti rūšiuojamos, kad būtų galima perdirbti aplinkai nekenksmingą. Plastikiniai komponentai yra paženklinti, kad juos būtų galima perdirbti.



Šio gaminio negalima išmesti kartu su buitinėmis atliekomis, laikantis atitinkamų teisės aktų, reglamentuojančių elektros ir elektroninės įrangos atliekas. Šį gaminį reikia išmesti į tam skirtą surinkimo punktą. Tai gali įvykti, pavyzdžiui, atiduodant

į įgaliojotą elektros ir elektroninės įrangos atliekų surinkimo punktą. Netinkamas įrangos atliekų tvarkymas gali turėti neigiamų pasekmių aplinkai ir žmonių sveikatai dėl potencialiai pavojingų medžiagų, kurios dažnai būna elektros ir elektroninėje įrangoje. Tinkamai išmesdami šį gaminį taip pat prisidedate prie efektyvaus gamtos išteklių naudojimo.

Informaciją apie įrangos atliekų surinkimo vietas galite gauti iš savo savivaldybės administracijos, valstybinės atliekų šalinimo institucijos, įgalios elektros ir elektroninės įrangos atliekų šalinimo įstaigos arba atliekų išvežimo įmonės.

GARANTIJA

Šiam gaminiui suteikiama garantija pagal teisinis / konkrečios šalies reglamentus, kurie galioja nuo pirmojo naudotojo įsigijimo datos. Garantija netaikoma žalai, atsiradusioms dėl normalaus nusidėvėjimo, perkrovos ar netinkamo naudojimo. Jei turite pretenzijų, visiškai surinktą mašiną nusiųskite pardavėjui arba oficialiam aptarnavimo centrui.

EN	EU DECLARATION OF CONFORMITY		We declare under our sole responsibility that the listed products comply with all applicable provisions of the below directives and are also in conformity with the following standards. Production year and serial number are on the product. The relative technical file is at the below address.	
	LAWN MOWER			
	MODEL	Article number		
FR	DÉCLARATION CE DE CONFORMITÉ		Nous déclarons sous notre propre responsabilité que les produits décrits sont conformes à toutes les dispositions applicables des directives ci-dessous et sont également conformes aux normes suivantes. L'année de production et le numéro de série figurent sur le produit. Le dossier technique correspondant est à l'adresse ci-dessous.	
	TONDEUSE			
	MODÈLE	Numéro de l'article		
IT	DICHIARAZIONE CE DI CONFORMITÀ		Dichiaro sotto la nostra piena responsabilità che i prodotti indicati sono conformi a tutte le disposizioni applicabili delle seguenti direttive e sono inoltre conformi alle seguenti norme. Anno di produzione e numero di serie sono sul prodotto. La relativa scheda tecnica è al seguente indirizzo.	
	TOSAERBA			
	MODELLO	Codice prodotto		
EL	ΔΗΛΩΣΗ ΣΥΜΜΟΡΦΩΣΗΣ ΕΚ		Δηλώνουμε με αποκλειστική μας ευθύνη, ότι τα αναφερόμενα προϊόντα συμμορφώνονται με όλες τις σχετικές διατάξεις των κάτωθι οδηγιών και είναι επίσης σύμφωνα με τα ακόλουθα πρότυπα. Το έτος παραγωγής και ο σειριακός αριθμός αναγράφονται στο προϊόν. Ο τεχνικός φάκελος είναι στην παρακάτω διεύθυνση.	
	ΧΛΟΟΚΟΠΤΙΚΗ ΜΗΧΑΝΗ			
	ΜΟΝΤΕΛΟ	Κωδικός προϊόντος		
SR	CE IZJAVA O USAGLAŠENOSTI		Na sopsstvenu odgovornost izjavljujemo, da navedeni proizvodi poštjuju sve važeće odredbe dole navedenih direktiva i da su takođe u skladu sa sledećim standardima. Proizvodna godina i serijski broj su na proizvodu. Relativna tehnološka datoteka je na donje adrese.	
	KOSAČICA ZA TRAVU			
	MODEL	Broj predmeta		
HR	EU IZJAVA O SUKLADNOSTI		Pod punom odgovornošću izjavljujemo da navedeni proizvodi u skladu sa svim primjenjivim odredbama dolje navedenih direktiva, a također su u skladu sa sljedećim standardima. Godina proizvodnje i serijski broj su na proizvodu. Relativna tehnička datoteka nalazi se na donjoj adresi.	
	KOSILICA ZA TRAVU			
	MODEL	Broj artikla		
RO	DECLARAȚIE DE CONFORMITATE UE		Declarăm pe proprie răspundere că produsele menționate respectă toate prevederile aplicabile din directivele de mai jos și sunt, de asemenea, conforme cu următoarele standarde. Anul de producție și numărul de serie sunt pe produs. Fișierul tehnic relativ se află la adresa de mai jos.	
	MAȘINĂ DE TUNS IARBA			
	MODEL	Număr articol		
HU	EU MEGFELELŐSÉGI NYILATKOZAT		Kijelentjük kizárólagos felelősségünkre, hogy a felsorolt termékek megfelelnek az alábbi irányelvek összes vonatkozó rendelkezésének, és megfelelnek a következő szabványoknak is. A gyártási év és a sorozatszám a terméken található. A relatív műszaki fájl az alábbi címen található.	
	FŰNYÍRÓ			
	MODELL	Cikk szám		
LT	ES ATITIKTIES DEKLARACIJA		Mes, prisiimdami visą atsakomybę, pareiškiame, kad išvardyti produktai atitinka visas taikomas toliau nurodytų direktyvų nuostatas ir taip pat atitinka šiuos standartus. Gamybos metai ir serijos numeris yra ant gaminio. Santykinis technologinis failas yra žemiau nurodytu adresu.	
	ELEKTRINĖ VEJAPJOVĖ STUMIAMA			
	MODELIS	Straipsnis Numeris		
	ELM 34/1400 PLUS	46 520	2014/30/EU	EN 55014-1:2017 EN 55014-2:2015 EN 61000-3-2:2014 EN 61000-3-3:2013
			2006/42/EC	EN 60335-1:2012+A11:2014+A13:2017 EN 60335-2-77:2010 EN 62233:2008
			2000/14/EC ANNEX VI 2005/88/EC	EN ISO 3744:1995 ISO 11094:1991
Aimilios G. Theodorou Electrical Engineer, Safety Officer  23/9/2022 FF GROUP TOOL INDUSTRIES, 19300 Aspropyrgos-Greece.			FF GROUP TOOL INDUSTRIES 9,5km Attiki Odos, Aspropyrgos 19300, Athens, Greece Tel. +30 210 55 98 400	
				



FF GROUP TOOL INDUSTRIES



9,5 Km Attiki Odos, Aspropyrgos

19300, Athens, Greece



+30 210 55 98 400



info@ffgroup-toolindustries.com



www.ffgroup-tools.com