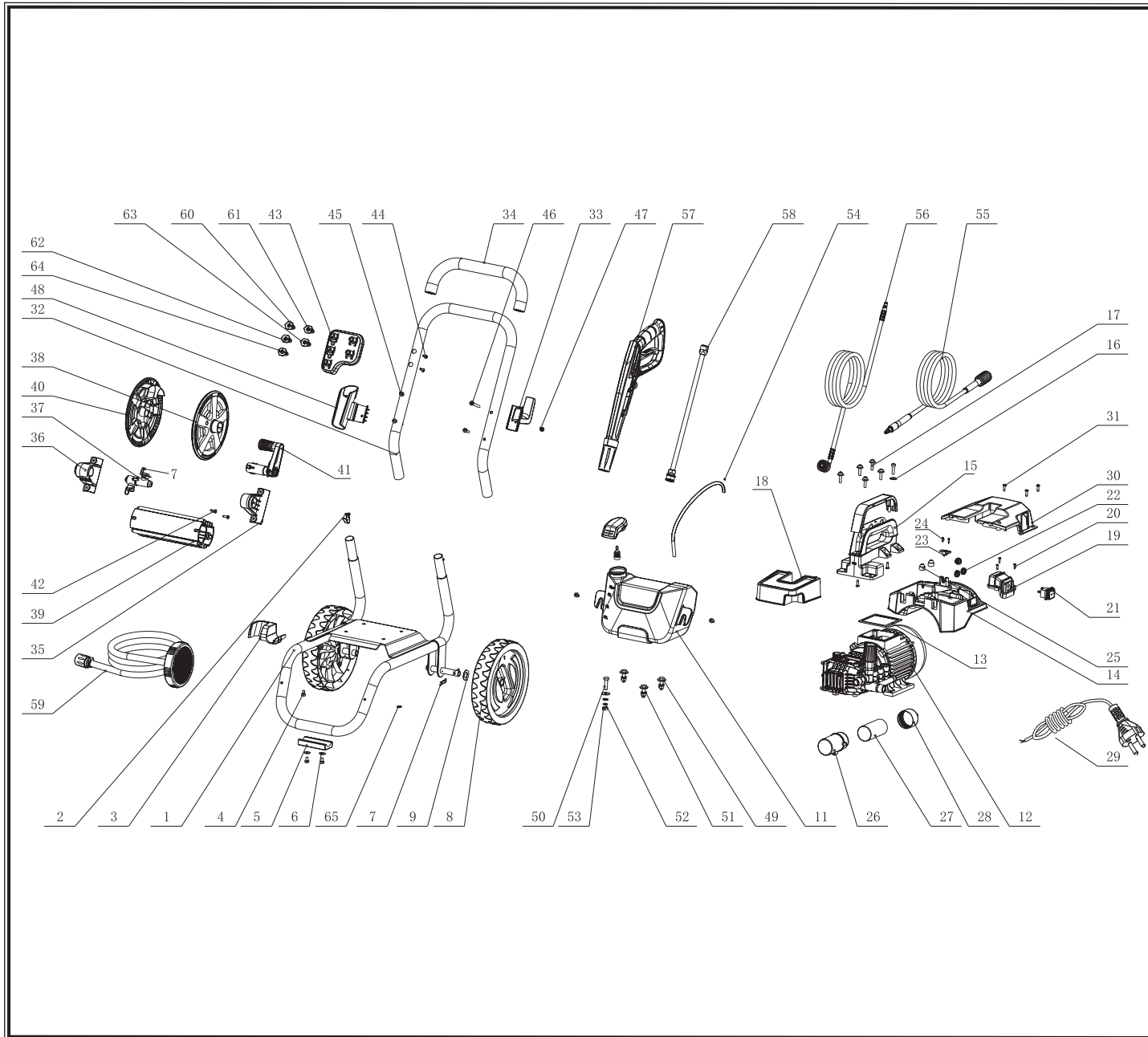
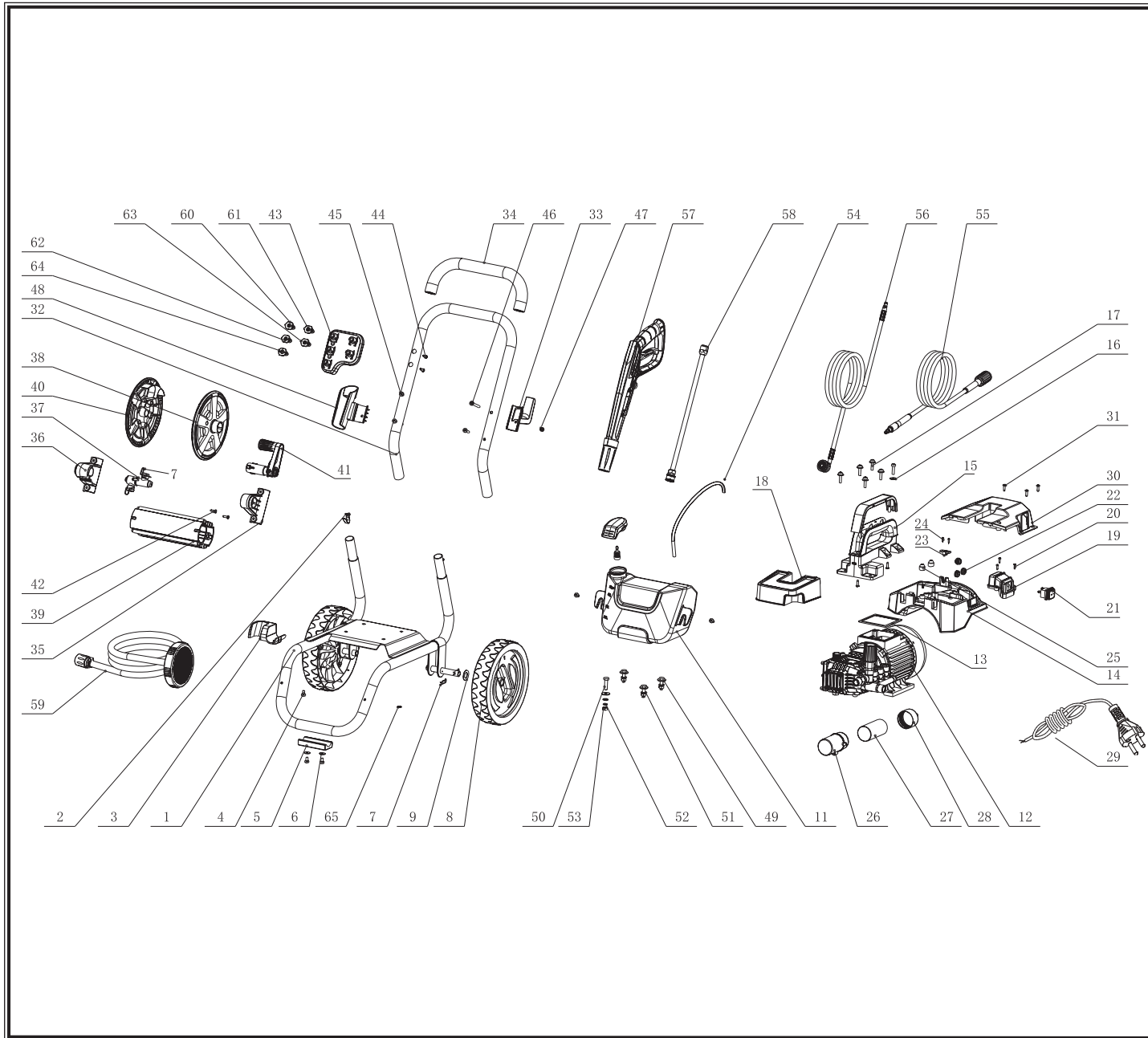


| POS. | CODE | DESCRIPTION | QTY |
|------|--------|---------------------------------|-----|
| 1 | A06310 | METAL BRACKET | 1 |
| 2 | A06311 | SINGLE BULLET | 2 |
| 3 | A06312 | BUTTSTOCK | 1 |
| 4 | A06313 | SCREWS | 5 |
| 5 | A06314 | FOOT PAD | 1 |
| 6 | A06315 | WASHERS | 2 |
| 7 | A06316 | PIN | 4 |
| 8 | A06317 | WHEEL | 2 |
| 9 | A06318 | FLAT WASHERS | 2 |
| 11 | A06320 | CLEAN POT COMPONENTS | 1 |
| 12 | A06321 | MOTOR PUMP | 1 |
| 13 | A06322 | WATERPROOF GASKET | 1 |
| 14 | A06323 | BASE | 1 |
| 15 | A06324 | HANDLE ASSEMBLY | 1 |
| 16 | A06325 | LARGE WASHERS | 6 |
| 17 | A06326 | SCREWS | 6 |
| 18 | A06327 | BASE | 1 |
| 19 | A06328 | SWITCH BOX | 1 |
| 20 | A06329 | SCREWS | 3 |
| 21 | A06330 | SWITCH | 1 |
| 22 | A06331 | POWER CORD SEALING WATER JACKET | 3 |
| 23 | A06332 | POWER CORD CLAMP | 1 |
| 24 | A06329 | SCREWS | 2 |
| 25 | A06334 | WATERPROOF CAP | 2 |
| 26 | A06335 | GENERAL CAPACITOR BOX | 1 |
| 27 | A06336 | CAPACITANCE | 1 |
| 28 | A06337 | GENERAL CAPACITOR SHEATH | 1 |
| 29 | A06338 | POWER CABLE | 1 |

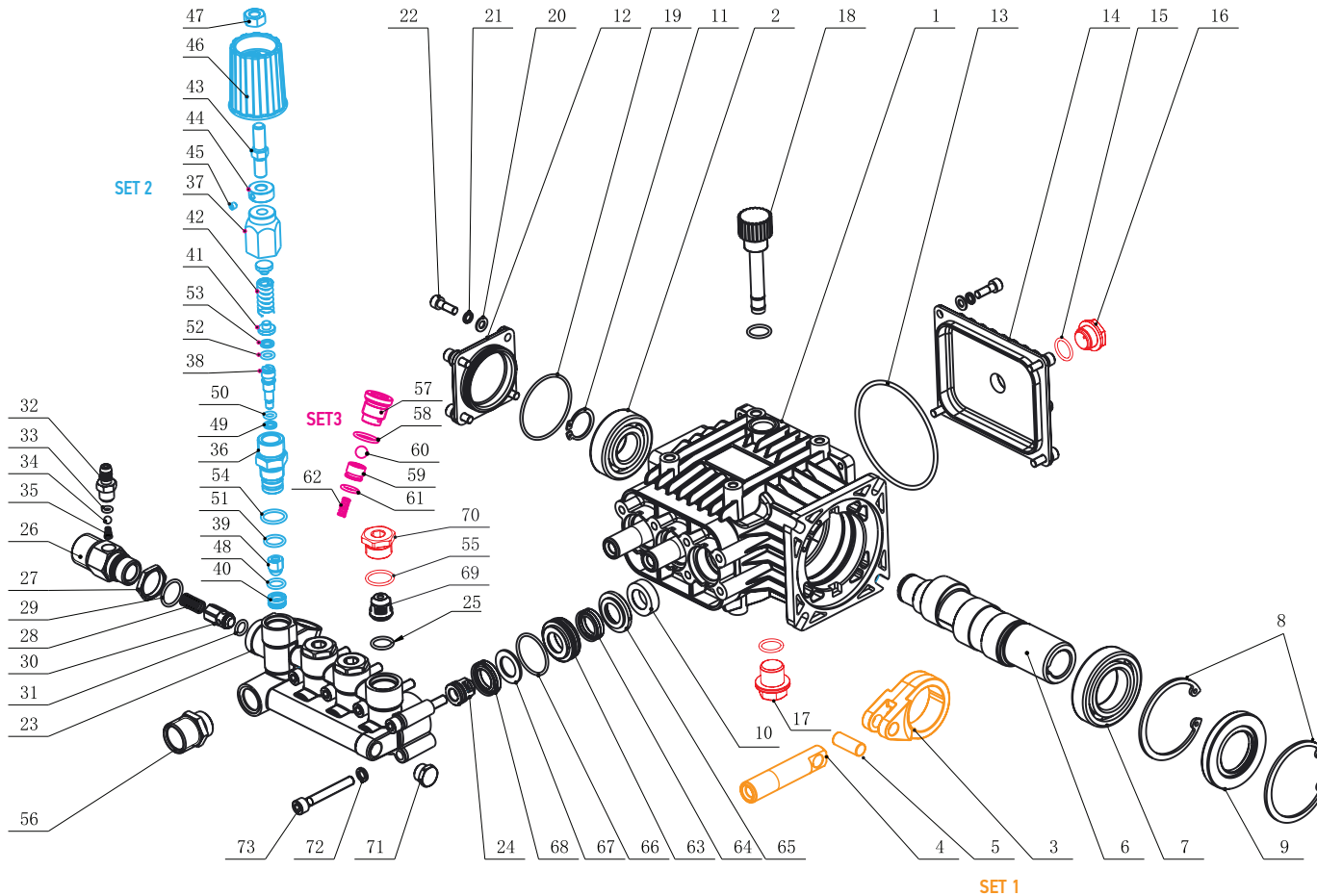


| POS. | CODE | DESCRIPTION | QTY |
|------|--------|----------------------------|-----|
| 30 | A06339 | UPPER COVER | 1 |
| 31 | A06329 | SCREWS | 5 |
| 32 | A06341 | METAL HANDLE | 1 |
| 33 | A06342 | HOOK | 1 |
| 34 | A06343 | HANDLE COVER | 1 |
| 35 | A06344 | TUBE REEL RIGHT BRACKET | 1 |
| 36 | A06345 | TUBE REEL LEFT BRACKET | 1 |
| 37 | A06346 | TWO-WAY CONNECTOR ASSEMBLY | 1 |
| 38 | A06347 | LEFT REEL FLANGE | 1 |
| 39 | A06348 | TUBE HUB | 2 |
| 40 | A06349 | RIGHT REEL FLANGE | 1 |
| 41 | A06350 | CRANK ASSEMBLY | 1 |
| 42 | A06329 | SCREWS | 4 |
| 43 | A06352 | NOZZLE HOLDER | 1 |
| 44 | A06329 | SCREWS | 2 |
| 45 | A06354 | SCREWS | 2 |
| 46 | A06355 | SCREWS | 2 |
| 47 | A06356 | HEX NUTS | 2 |
| 48 | A06357 | GUN RACK | 1 |
| 49 | A06315 | WASHERS | 4 |
| 50 | A06359 | HEXAGON HEAD BOLT | 4 |
| 51 | A06360 | FLAT WASHERS | 4 |
| 52 | A06361 | SPRING WASHER | 4 |
| 53 | A06362 | HEX NUTS | 4 |
| 54 | A06363 | SUCTION HOSE | 1 |
| 55 | 46662 | HIGH PRESSURE HOSE | 1 |
| 56 | A06365 | HIGH PRESSURE HOSE | 1 |
| 57 | 46663 | GUN | 1 |



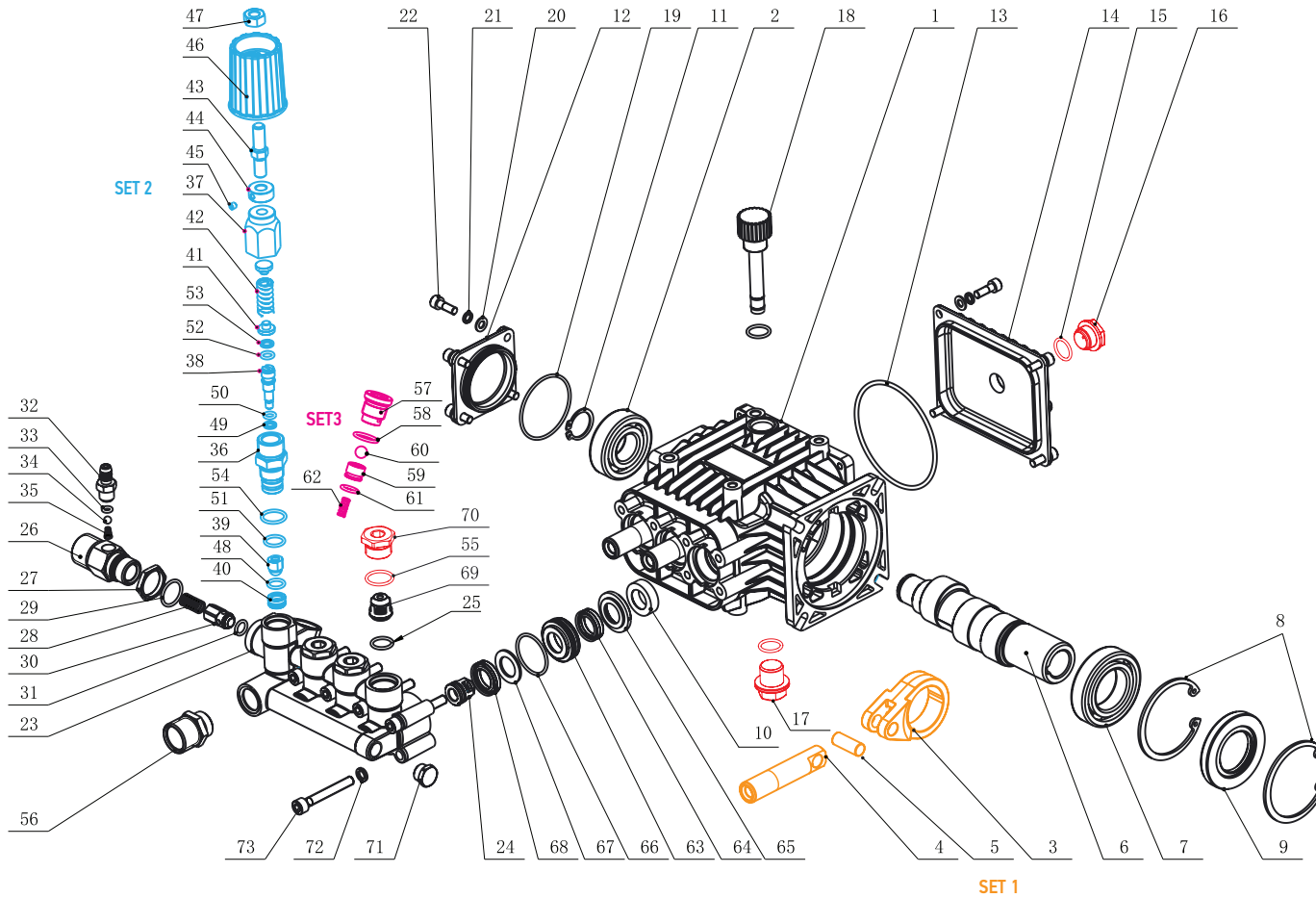
| POS. | CODE | DESCRIPTION | QTY |
|------|--------|-------------|-----|
| 58 | 46664 | LANCE | 1 |
| 59 | A06366 | INLET PIPE | 1 |
| 60 | 46665 | NOZZLE 0° | 1 |
| 61 | 46666 | NOZZLE 15° | 1 |
| 62 | 46667 | NOZZLE 25° | 1 |
| 63 | 46668 | NOZZLE 40° | 1 |
| 64 | 46669 | SOAP NOZZLE | 1 |
| 65 | A06367 | LOCK WASHER | 1 |

PUMP



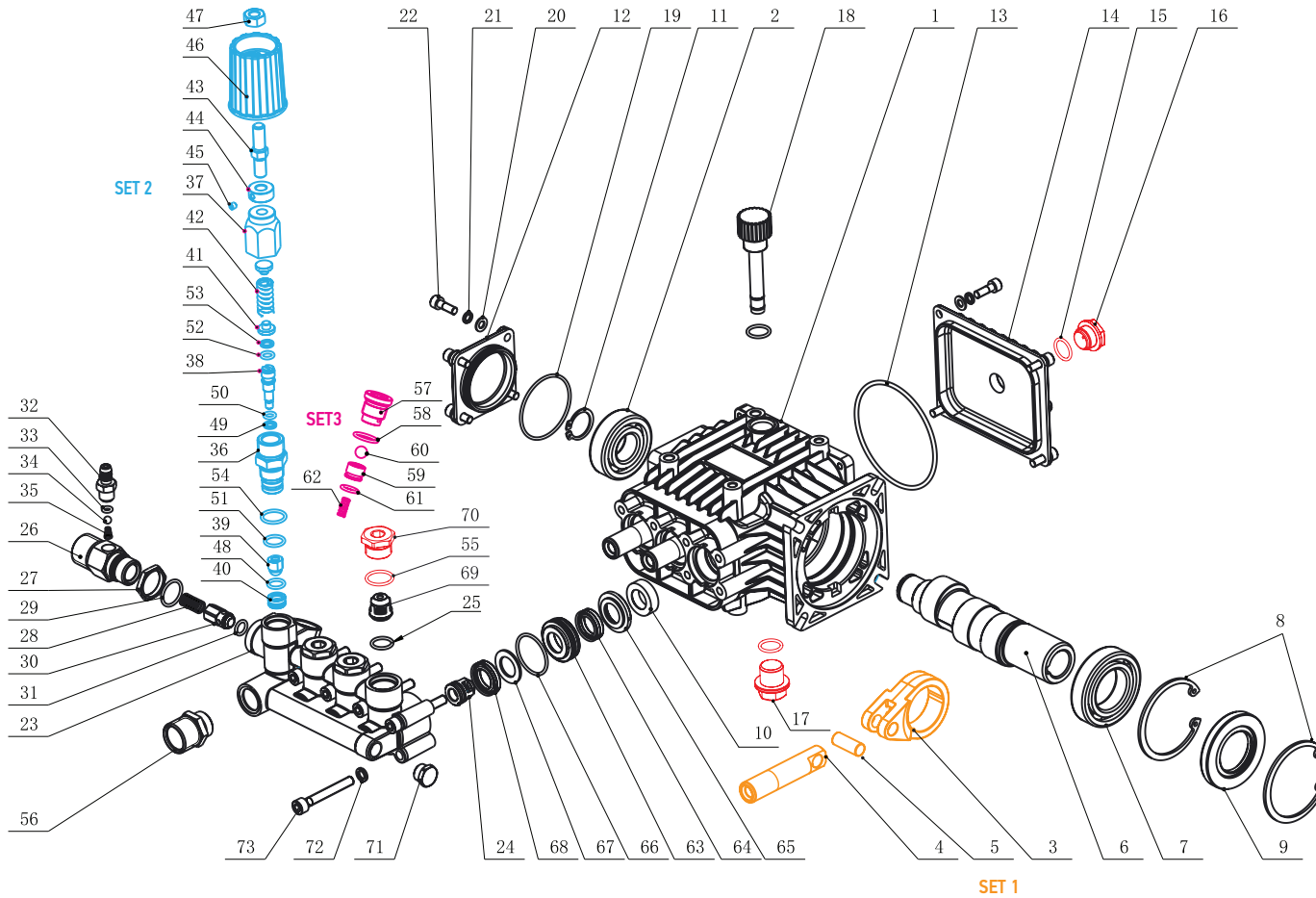
| POS. | CODE | DESCRIPTION | QTY |
|--------------------|--------|-------------------------|-----|
| 1 | A06368 | BOX | 1 |
| 2 | A06369 | BALL BEARING | 1 |
| SET 1 (3-5) | A07082 | LINK | 3 |
| 6 | A06373 | ECCENTRIC SHAFT | 1 |
| 7 | A06374 | BALL BEARING | 1 |
| 8 | A06375 | CIRCLIP | 2 |
| 9 | A06376 | OIL SEAL | 1 |
| 10 | A06377 | RECIPROCATING OIL SEAL | 3 |
| 11 | A06378 | CIRCLIP | 1 |
| 12 | A06379 | BOX END COVER | 1 |
| 13 | A06380 | O-RING | 1 |
| 14 | A06381 | BOX COVER | 1 |
| 15 | A06382 | O-RING | 4 |
| 16 | A06383 | SCREW-IN ROUND OIL MARK | 1 |
| 17 | A06384 | OIL DRAIN PLUG | 2 |
| 18 | A06385 | DIPSTICK | 1 |
| 19 | A06386 | O-RING | 1 |
| 20 | A06387 | FLAT WASHERS | 8 |
| 21 | A06388 | WASHER | 8 |
| 22 | A06389 | SCREW | 8 |
| 23 | A06390 | PUMP COVER | 1 |
| 24 | A06391 | CHECK VALVE ASSEMBLY | 3 |
| 25 | A06392 | O-RING | 3 |
| 26 | A06393 | JET FLUID | 1 |
| 27 | A06394 | POSITIONING NUT | 1 |
| 28 | A06395 | BACKSTOP SPRING | 1 |
| 29 | A06421 | O-RING | 1 |
| 30 | A06397 | CHECK SPOOL | 1 |

PUMP



| POS. | CODE | DESCRIPTION | QTY |
|------|--------|----------------------------------|-----|
| 31 | A06398 | O-RING | 1 |
| 32 | A06399 | SUCTION CONNECTOR | 1 |
| 33 | A06400 | O-RING | 1 |
| 34 | A06401 | STEEL BALL | 1 |
| 35 | A06402 | SUCTION SPRING | 1 |
| 36 | A06403 | PRESSURE REGULATING SEAT | 1 |
| 37 | A06404 | PRESSURE REGULATING VALVE SLEEVE | 1 |
| 38 | A06405 | STEM | 1 |
| 39 | A06406 | SPOOL | 1 |
| 40 | A06407 | VALVE SEAT | 1 |
| 41 | A06408 | PRESSURE REGULATING SPRING SEAT | 2 |
| 42 | A06409 | REGULATING SPRING | 1 |
| 43 | A06410 | PRESSURE REGULATING STUD | 1 |
| 44 | A06411 | PRESSURE REGULATING LIMIT NUT | 1 |
| 45 | A06412 | HEXAGON SOCKET SET SCREWS | 1 |
| 46 | A06413 | PRESSURE REGULATING HANDLE | 1 |
| 47 | A06362 | NUT | 1 |
| 48 | A06364 | O-RING | 1 |
| 49 | A06415 | CLOSED RETAINING RING | 1 |
| 50 | A06416 | O-RING | 1 |
| 51 | A06417 | O-RING | 1 |
| 52 | A06418 | O-RING | 1 |
| 53 | A06419 | OPEN RETAINING RING | 1 |
| 54 | A06420 | O-RING | 1 |

PUMP



| POS. | CODE | DESCRIPTION | QTY |
|-------------------------|--------|-----------------------------|-----|
| SET2 (36-54) | A07083 | PRESSURE REGULATOR ASSEMBLY | 1 |
| 55 | A06421 | O-RING | 4 |
| 56 | A06422 | INLET CONNECTOR | 1 |
| 57 | A06423 | START PLUG | 1 |
| 58 | A06420 | O-RING | 1 |
| 59 | A06425 | START VALVE SEAT | 1 |
| 60 | A06426 | STEEL BALL | 1 |
| 61 | A06427 | O-RING | 1 |
| 62 | A06428 | START SPRING | 1 |
| SET3 (57-62) | A07084 | START VALVE (SET) | 1 |
| 63 | A06429 | SEAL SEAT | 3 |
| 64 | A06430 | AUXILIARY WATER SEAL | 3 |
| 65 | A06431 | SEAL RING COVER | 3 |
| 66 | A06432 | O-RING | 3 |
| 67 | A06433 | WATER SEAL GASKET | 3 |
| 68 | A06434 | MAIN WATER SEAL | 3 |
| 69 | A06435 | OUTLET CHECK VALVE ASSEMBLY | 3 |
| 70 | A06436 | HIGH PRESSURE BULKHEAD | 3 |
| 71 | A06437 | PLUG | 1 |
| 72 | A06438 | WASHER | 8 |
| 73 | A06439 | SCREW | 8 |