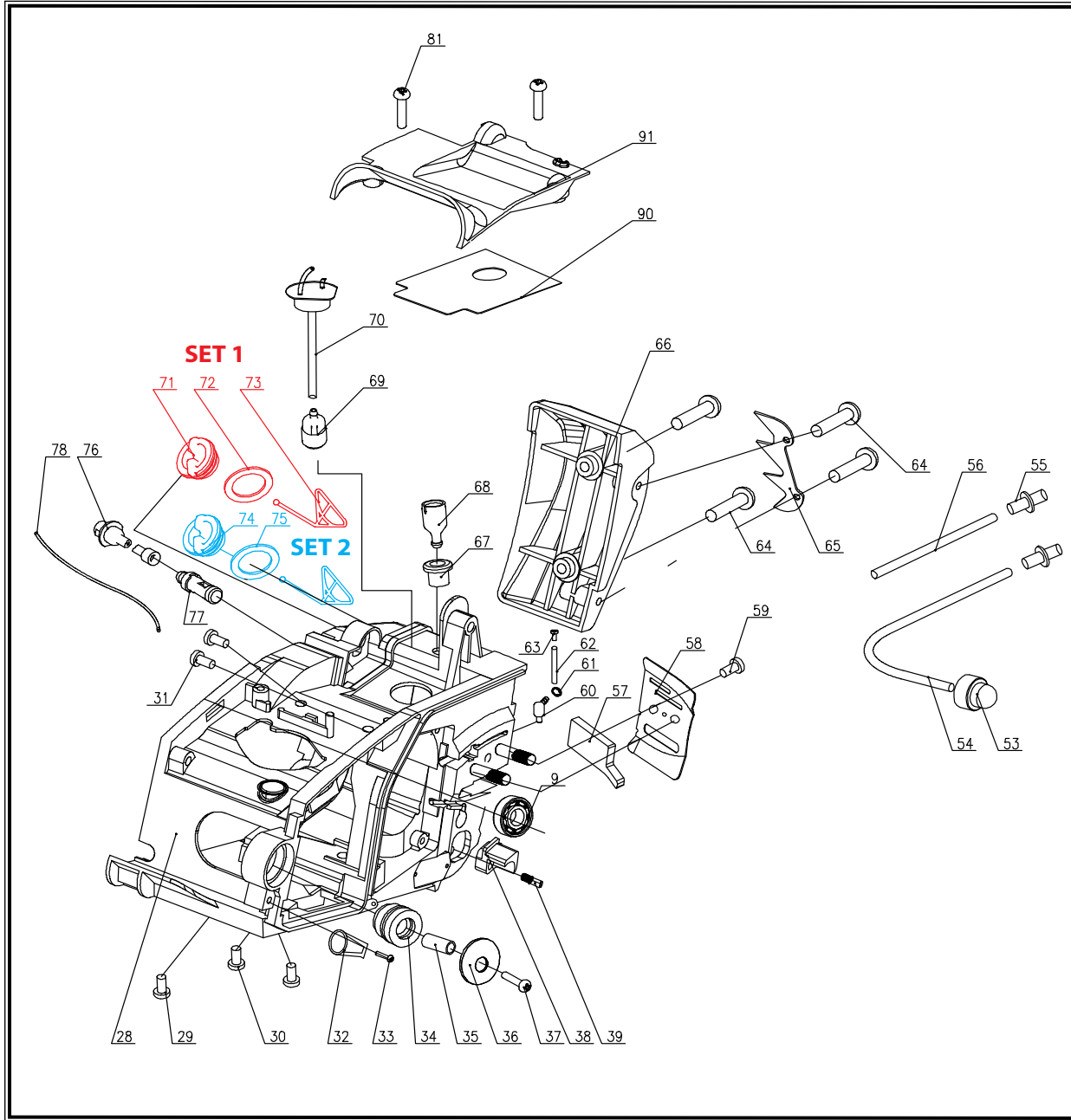
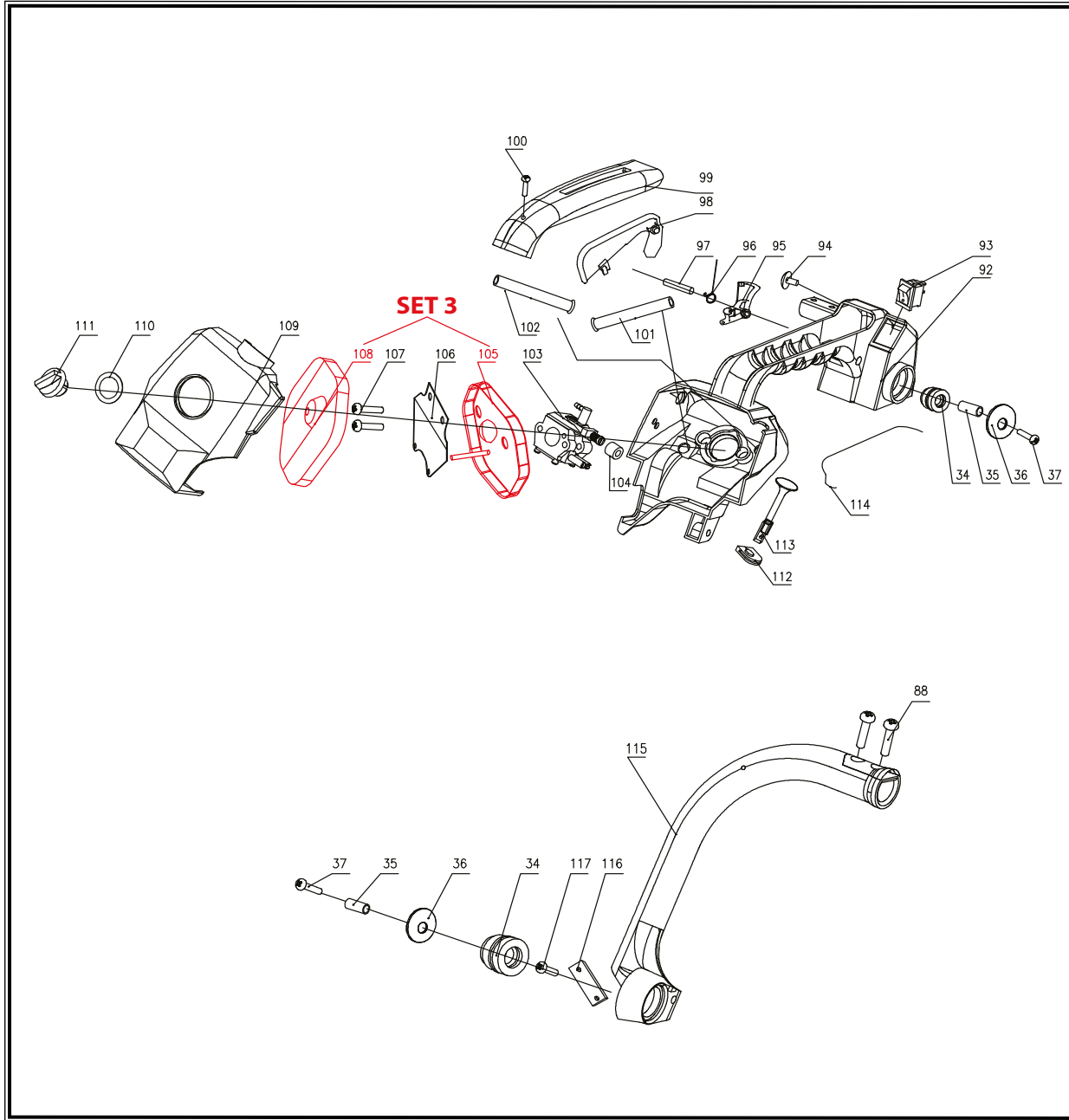


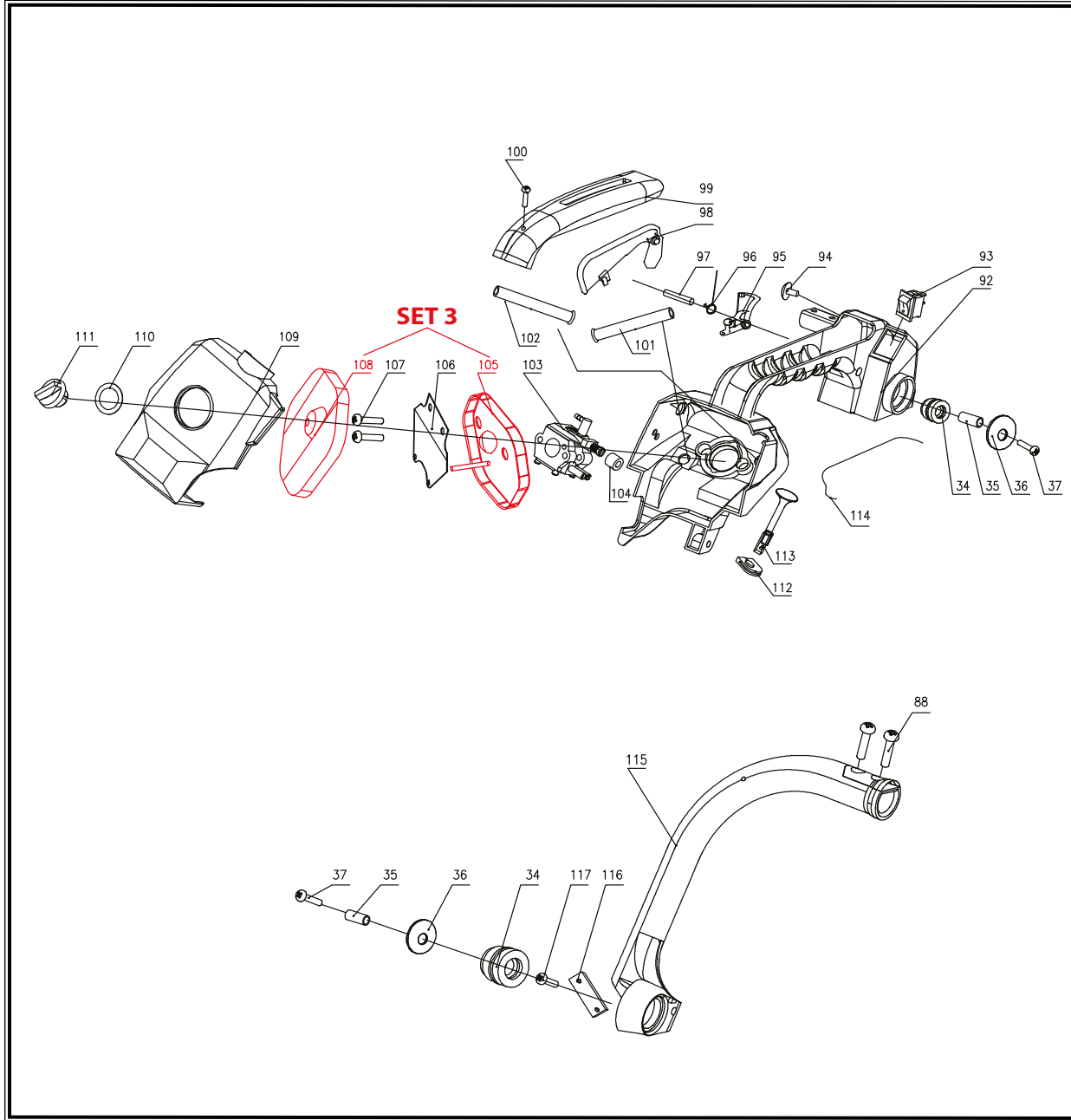
| POS. | CODE   | DESCRIPTION                   | QTY |
|------|--------|-------------------------------|-----|
| 9    | A03923 | BEARING 6001                  | 1   |
| 28   | A04030 | FUEL TANK                     | 1   |
| 29   | A03943 | SCREW M5X14                   | 1   |
| 30   | A03944 | SCREW M5X20                   | 2   |
| 31   | A03945 | SCREW M5X16                   | 2   |
| 32   | A03946 | HOOK                          | 1   |
| 33   | A03948 | SCREW ST4.2X13                | 1   |
| 34   | A03949 | PAD RUBBER                    | 1   |
| 35   | A03950 | PIN BUSH                      | 1   |
| 36   | A03951 | WASHER 5X23X13                | 1   |
| 37   | A03952 | SCREW ST4.8X35                | 1   |
| 38   | A03953 | CHAIN CATCHER                 | 1   |
| 39   | A03954 | SPECIAL-SHAPED SCREW ST5.4X15 | 1   |
| 53   | A03965 | FUEL PRIMER                   | 1   |
| 54   | A03966 | FUEL PRIMER TUBE              | 1   |
| 55   | A03967 | FUEL TUBE JOINT               | 2   |
| 56   | A03968 | FUEL PRIMER OUTLET HOSE       | 1   |
| 57   | A03969 | SPONGE-WASHER OIL PUMP        | 1   |
| 58   | A03970 | BAR PLATE                     | 1   |
| 59   | A03971 | SCREW ST4.2X11                | 1   |
| 60   | A03972 | NEGATIVE PRESSURE PIPE JOINT  | 1   |
| 61   | A03973 | SNAP RING                     | 1   |
| 62   | A03974 | NEGATIVE PRESSURE PIPE        | 1   |
| 63   | A03975 | SCREW ST4.2X9.5               | 1   |
| 64   | A03976 | SCREW ST4.8X13                | 4   |
| 65   | A03977 | FELLING DOG                   | 1   |



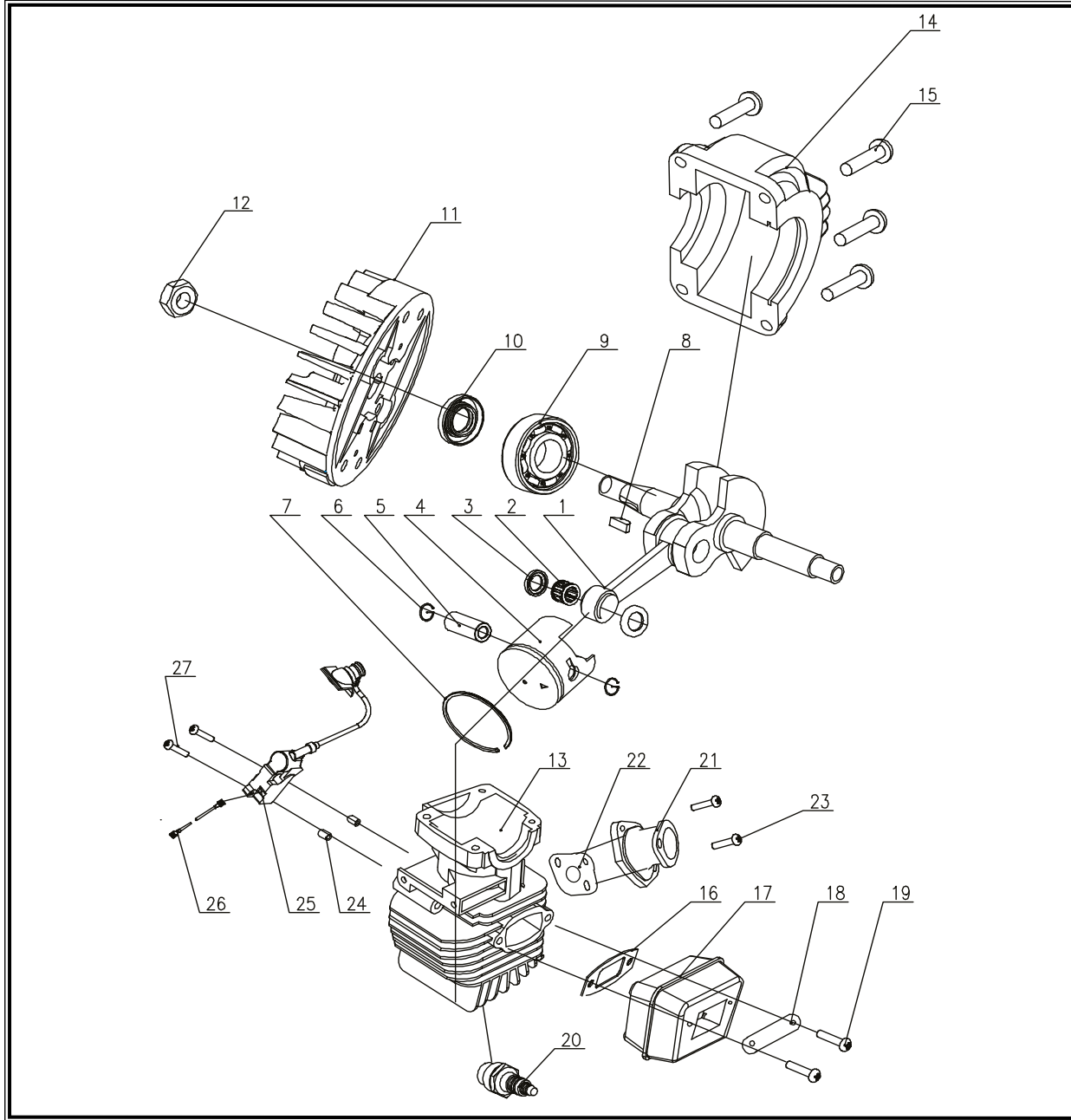
| POS.                     | CODE   | DESCRIPTION              | QTY |
|--------------------------|--------|--------------------------|-----|
| 66                       | A03978 | CATCHER                  | 1   |
| 67                       | A03979 | SUPPORT FUEL VENTILATION | 1   |
| 68                       | A03980 | FUEL VENTILATION VALVE   | 1   |
| 69                       | A04271 | FUEL FILTER              | 1   |
| 70                       | A03982 | HOSE OIL ASSY            | 1   |
| 71                       | A04031 | FUEL CAP                 | 1   |
| 72                       | A03984 | FUEL CAP GASKET          | 1   |
| 73                       | A04129 | FUEL PAT                 | 1   |
| <b>SET 1<br/>(71-73)</b> | A03983 | FUEL TANK CAP ASSEMBLY   | 1   |
| <b>SET 2<br/>(73-75)</b> | A04032 | OIL CAP ASSEMBLY         | 1   |
| 75                       | A03987 | SEALING GASKET-OIL CAP   | 1   |
| 76                       | A03988 | OIL PIPE                 | 1   |
| 77                       | A03989 | OIL FILTER TOIL          | 1   |
| 78                       | A03990 | SWITCH LINE              | 1   |
| 81                       | A03992 | SCREWS ST4.2X16          | 2   |
| 90                       | A03994 | PAPER GASKET             | 1   |
| 91                       | A04034 | COVER-TOP                | 1   |



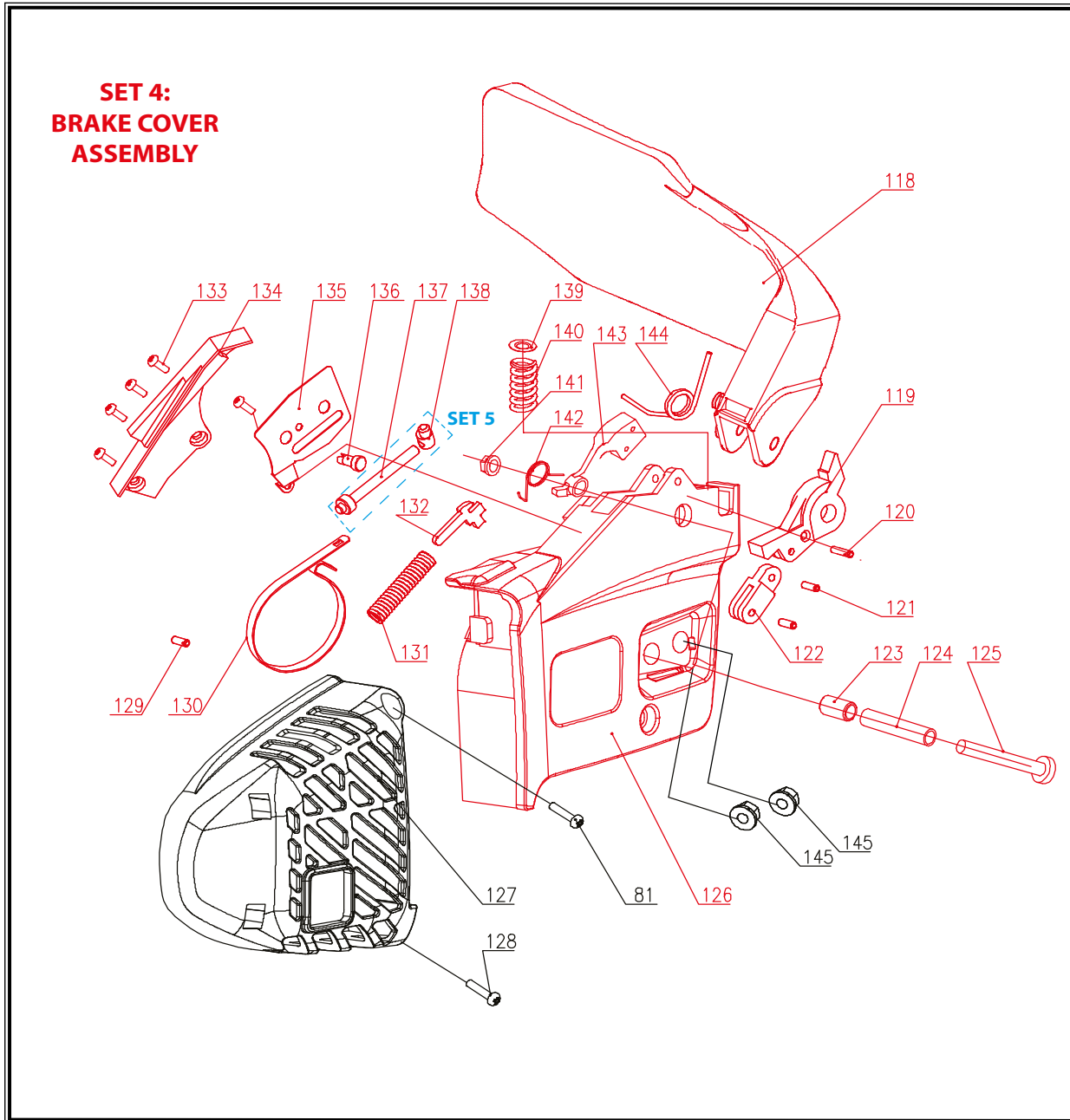
| POS.                       | CODE   | DESCRIPTION                 | QTY |
|----------------------------|--------|-----------------------------|-----|
| 34                         | A03949 | PAD RUBBER                  | 2   |
| 35                         | A03950 | BUSHING                     | 2   |
| 36                         | A03951 | WASHER                      | 2   |
| 37                         | A03952 | SCREW ST4.8X35              | 2   |
| 88                         | A04458 | SCREW ST4.8X16              | 2   |
| 92                         | A03996 | BACK HANDLE                 | 1   |
| 93                         | A03997 | SWITCH STOP                 | 1   |
| 94                         | A03998 | WASHER-REAR HANDLE          | 1   |
| 95                         | A03999 | TRIGGER                     | 1   |
| 96                         | A04000 | SPRING-TRIGGER              | 1   |
| 97                         | A04001 | TRIGGER PIN                 | 1   |
| 98                         | A04002 | LEVER-SAFETY TRIGGER        | 1   |
| 99                         | A04035 | COVER-REAR HANDLE           | 1   |
| 100                        | A04004 | SCREW ST4.2X19              | 1   |
| 101                        | A04005 | HOSE FUEL CARBURETOR        | 1   |
| 102                        | A04006 | CARBURETOR OUTLET TUBE      | 1   |
| 103                        | A04007 | CARBURETOR                  | 1   |
| 104                        | A04008 | SPONG-CARBURETOR            | 1   |
| <b>SET 3<br/>(105+108)</b> | A04009 | AIR FILTER                  | 1   |
| 106                        | A04010 | AIR FILTER PRESSING PLATE   | 1   |
| 107                        | A04011 | SOCKET HEAD CAP SCREW M5X45 | 1   |
| 109                        | A04036 | COVER-AIR FILTER            | 1   |
| 110                        | A04014 | WASHER-AIR FILTER KNOB      | 1   |
| 111                        | A04015 | AIR FILTER KNOB-AIR FILTER  | 1   |
| 112                        | A04016 | GROMMET-CHOKE KNOB          | 1   |



| POS. | CODE   | DESCRIPTION    | QTY |
|------|--------|----------------|-----|
| 113  | A04017 | CHOKE KNOB     | 1   |
| 114  | A04018 | ROD THROTTLE   | 1   |
| 115  | A04019 | HANDLE         | 1   |
| 116  | A04020 | SAFETY BELT    | 1   |
| 117  | A04021 | SCREW ST4.8X12 | 1   |

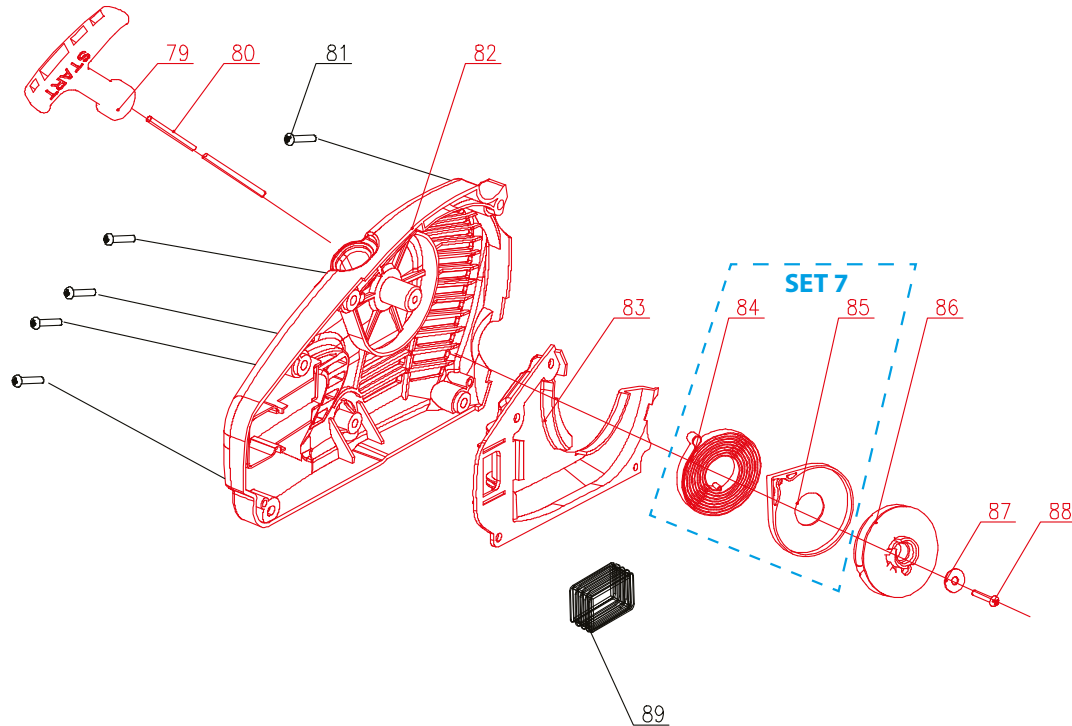


| POS. | CODE   | DESCRIPTION              | QTY |
|------|--------|--------------------------|-----|
| 1    | A03919 | CRANK SHAFT ASSEMBLY     | 1   |
| 2    | A12126 | NEEDLE BEARING           | 1   |
| 3    | A03921 | PIN SNAP                 | 2   |
| 4    | A04273 | PISTON 34mm              | 1   |
| 5    | A04274 | PINSTON PIN              | 1   |
| 6    | A04275 | SNAP RING                | 2   |
| 7    | A04276 | PINSTON RING             | 1   |
| 8    | A03922 | WOODRUFF KEY             | 1   |
| 9    | A03923 | BEARING 6001             | 1   |
| 10   | A03924 | RIGHT OIL RING           | 1   |
| 11   | A03925 | FLY-WHEEL                | 1   |
| 12   | A03926 | NUT M8                   | 1   |
| 13   | A03927 | CYLINDER 34mm            | 1   |
| 14   | A03928 | SUPPORT CYLINDER         | 1   |
| 15   | A03929 | SCREW M5X20              | 4   |
| 16   | A03930 | GASKET MUFFLER           | 1   |
| 17   | A03931 | MUFFLER                  | 1   |
| 18   | A03932 | SHIELD-MUFFLER           | 1   |
| 19   | A03933 | SCREW M5X50              | 2   |
| 20   | A03934 | SPARK PLUG               | 1   |
| 21   | A03935 | INTAKE                   | 1   |
| 22   | A03936 | GASKET INTAKE CARBURETOR | 1   |
| 23   | A03937 | SCREW M5X12              | 2   |
| 24   | A03938 | PAD-ELECTRIC IGNITION    | 2   |
| 25   | A03939 | IGNITION                 | 1   |
| 26   | A03940 | WIRE-STOP                | 1   |
| 27   | A03941 | SCREW M4X20              | 2   |

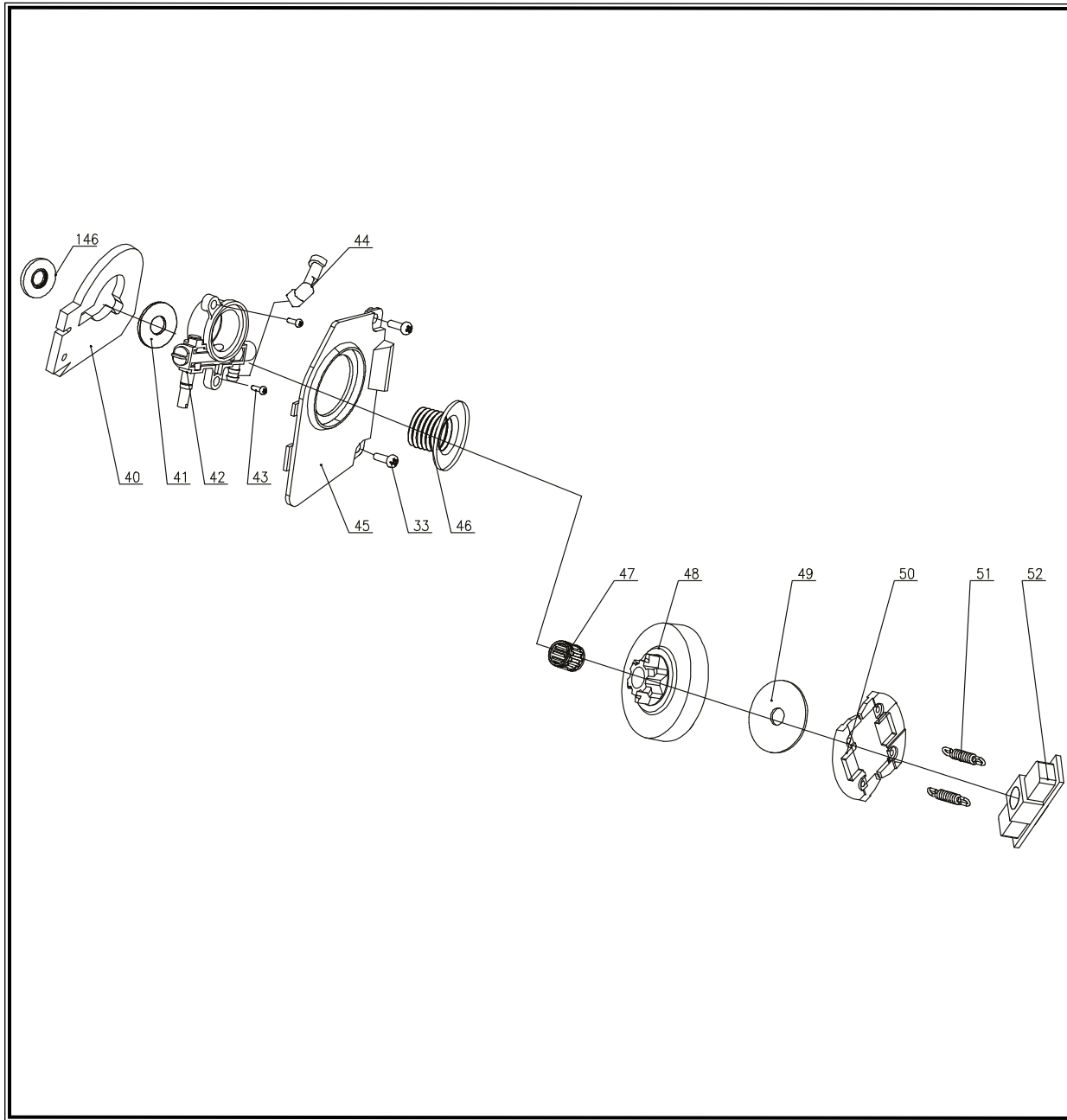


| POS.                       | CODE   | DESCRIPTION                         | QTY |
|----------------------------|--------|-------------------------------------|-----|
| <b>SET 4</b>               | A12559 | BRAKE COVER ASSEMBLY                | 1   |
| 81                         | A03992 | SCREWS ST4.2X16                     | 1   |
| 118                        | A04288 | FRONT DAMPER                        | 1   |
| 119                        | A04289 | PUSHER-SPRING (BRAKE) B             | 1   |
| 120                        | A04290 | STRAIGH PIN                         | 1   |
| 121                        | A04291 | STRAIGH PIN                         | 2   |
| 122                        | A04292 | PUSHER-SPRING (BRAKE)               | 1   |
| 123                        | A04293 | PIN-LEVERAGE                        | 1   |
| 124                        | A04294 | FRONT DAMPER-LEVERAGE               | 1   |
| 125                        | A04295 | SCREWS M5X30                        | 1   |
| 126                        | A04296 | BRAKE HOUSING ASSY                  | 1   |
| 127                        | A04297 | SHIELD-MUFFLER                      | 1   |
| 128                        | A04298 | HEXAGON SOCKET SCREW M5X16          | 1   |
| 129                        | A04299 | STRAIGH PIN                         | 1   |
| 130                        | A04300 | BAND BRAKE                          | 1   |
| 131                        | A04301 | SPRING-ACTUATION                    | 1   |
| 132                        | A04302 | BRAKE CONTROL POLE                  | 1   |
| 133                        | A04303 | SCREWS ST4.2X9.5                    | 5   |
| 134                        | A04304 | COVER- BRAKE                        | 1   |
| 135                        | A04305 | TENSIONER COVER                     | 1   |
| 136                        | A04306 | TENSIONER SCREW CHAIN ADJUSTING     | 1   |
| <b>SET 5<br/>(137+138)</b> | A04307 | TENSIONER SCREW CHAIN ADJUSTING SET | 1   |
| 139                        | A04309 | SUPPORT SPRING                      | 1   |
| 140                        | A04310 | COMPRESS SPRING-LEVERAGE            | 1   |
| 141                        | A04311 | LOCK NUT M5                         | 1   |
| 142                        | A04312 | SPRING-LEVERAGE                     | 1   |
| 143                        | A04313 | LEVERAGE-BRAKE                      | 1   |
| 144                        | A04314 | COMPRESS SPRING-LEVERAGE            | 1   |
| 145                        | A04022 | NUT M8                              | 2   |

**SET 6:  
STARTER  
ASSEMBLY**

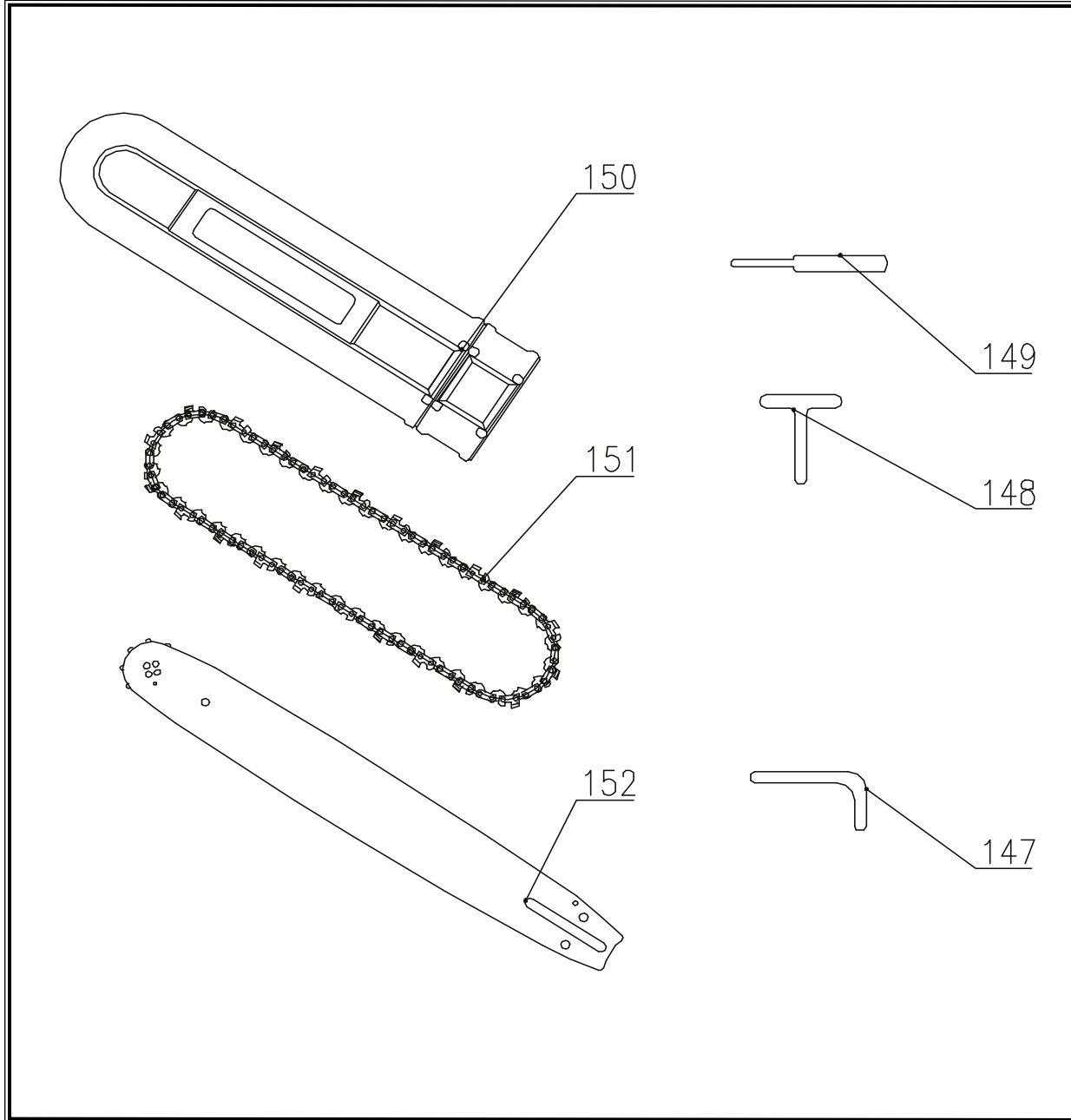


| POS.                     | CODE   | DESCRIPTION             | QTY |
|--------------------------|--------|-------------------------|-----|
| <b>SET 6</b>             | A12558 | STARTER ASSEMBLY        | 1   |
| 79                       | A04280 | HANDLE-STARTER          | 1   |
| 80                       | A04281 | ROPE-STARTER            | 2   |
| 81                       | A03992 | SCREWS ST4.2X16         | 5   |
| 82                       | A04282 | HOUSING-STARTER         | 1   |
| 83                       | A04033 | BAFFLER-FAN             | 1   |
| <b>SET 7<br/>(84-85)</b> | A04283 | SPRING-STARTER ASSEMBLY | 1   |
| 85                       | A04284 | COVER-SPRING STARTER    | 1   |
| 86                       | A04456 | PULLEY-STARTER          | 1   |
| 87                       | A04286 | WASHER                  | 1   |
| 88                       | A04287 | SCREWS ST4.8X16         | 1   |
| 89                       | A03993 | HOSE AIR SEAT           | 1   |



| POS. | CODE   | DESCRIPTION             | QTY |
|------|--------|-------------------------|-----|
| 33   | A03948 | SCREW ST4.2X13          | 2   |
| 40   | A03955 | SHIELD-OIL PUMP         | 1   |
| 41   | A03956 | WORM GEAR GASKET        | 1   |
| 42   | A03957 | OIL PUMP                | 1   |
| 43   | A03958 | SCREW M4X14             | 2   |
| 44   | A03959 | HOSE-CHAIN OIL OUTGOING | 1   |
| 45   | A03960 | SHIELD-OIL PUMP         | 1   |
| 46   | A03961 | WORM                    | 1   |
| 47   | A03962 | NEEDLE BEARING          | 1   |
| 48   | A03963 | COVER-DRUM CLUTCH       | 1   |
| 49   | A03964 | WASHER-DRUM CLUTCH      | 1   |
| 50   | A04277 | CLUTCH SHOE             | 1   |
| 51   | A04278 | SPRING CLUTCH           | 2   |
| 52   | A04279 | CLUTCH RETAINER         | 1   |
| 146  | A04023 | OIL RING 12X28X6        | 1   |





| POS. | CODE   | DESCRIPTION             | QTY |
|------|--------|-------------------------|-----|
| 147  | A04024 | ALLEN 4                 | 1   |
| 148  | A04025 | PLUG WRENCH SPANNER     | 1   |
| 149  | A04026 | STRAIGHT SCREW DRIVER   | 1   |
| 150  | A04027 | GUIDE BAR COVER         | 1   |
| 151  | *      | CHAIN 3/8" - 1,3mm-40   | 1   |
| 152  | *      | BAR 25cm - 3/8" - 1.3mm | 1   |

\* MORE DETAILS TO OUR CATALOGUE