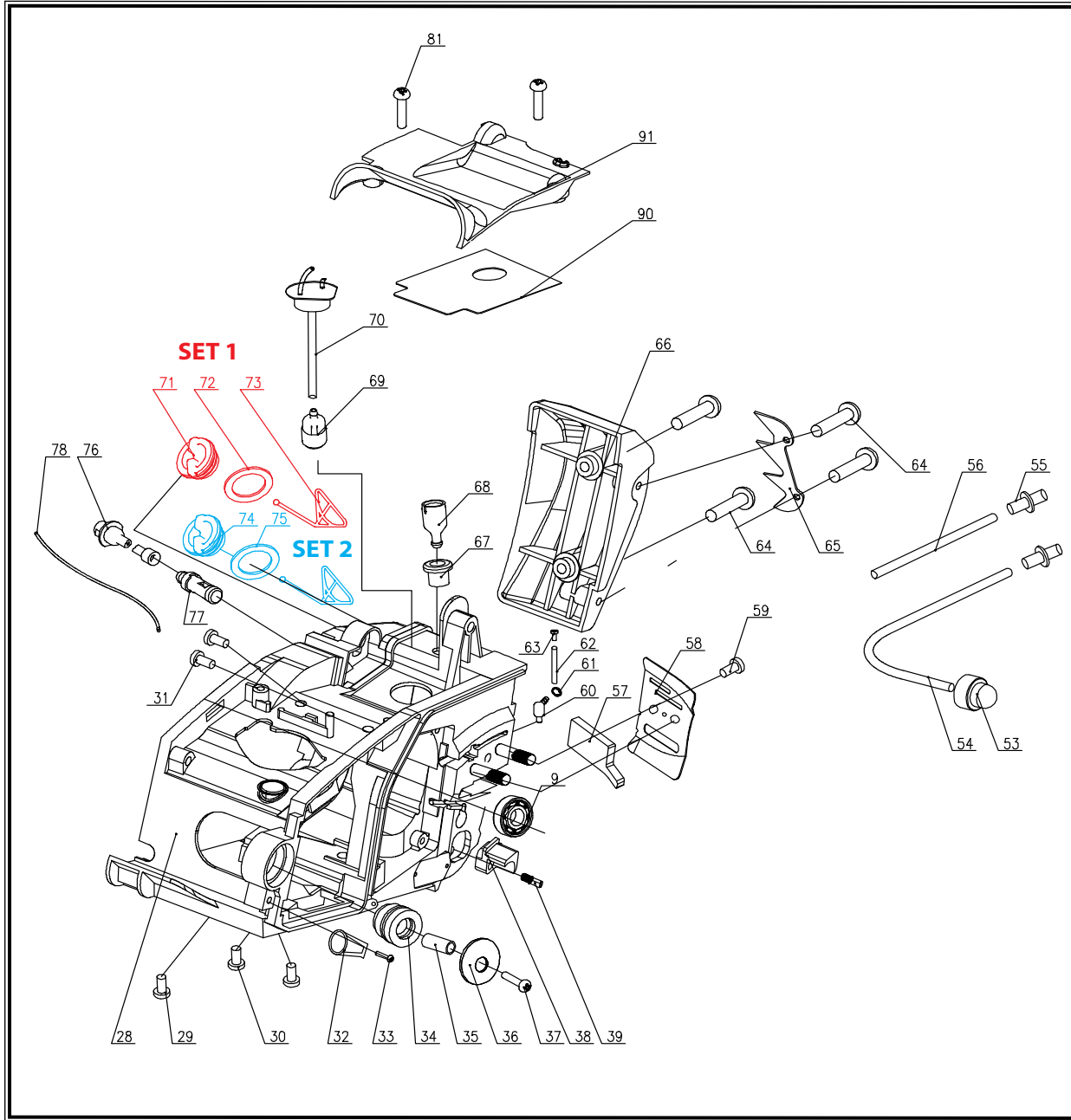
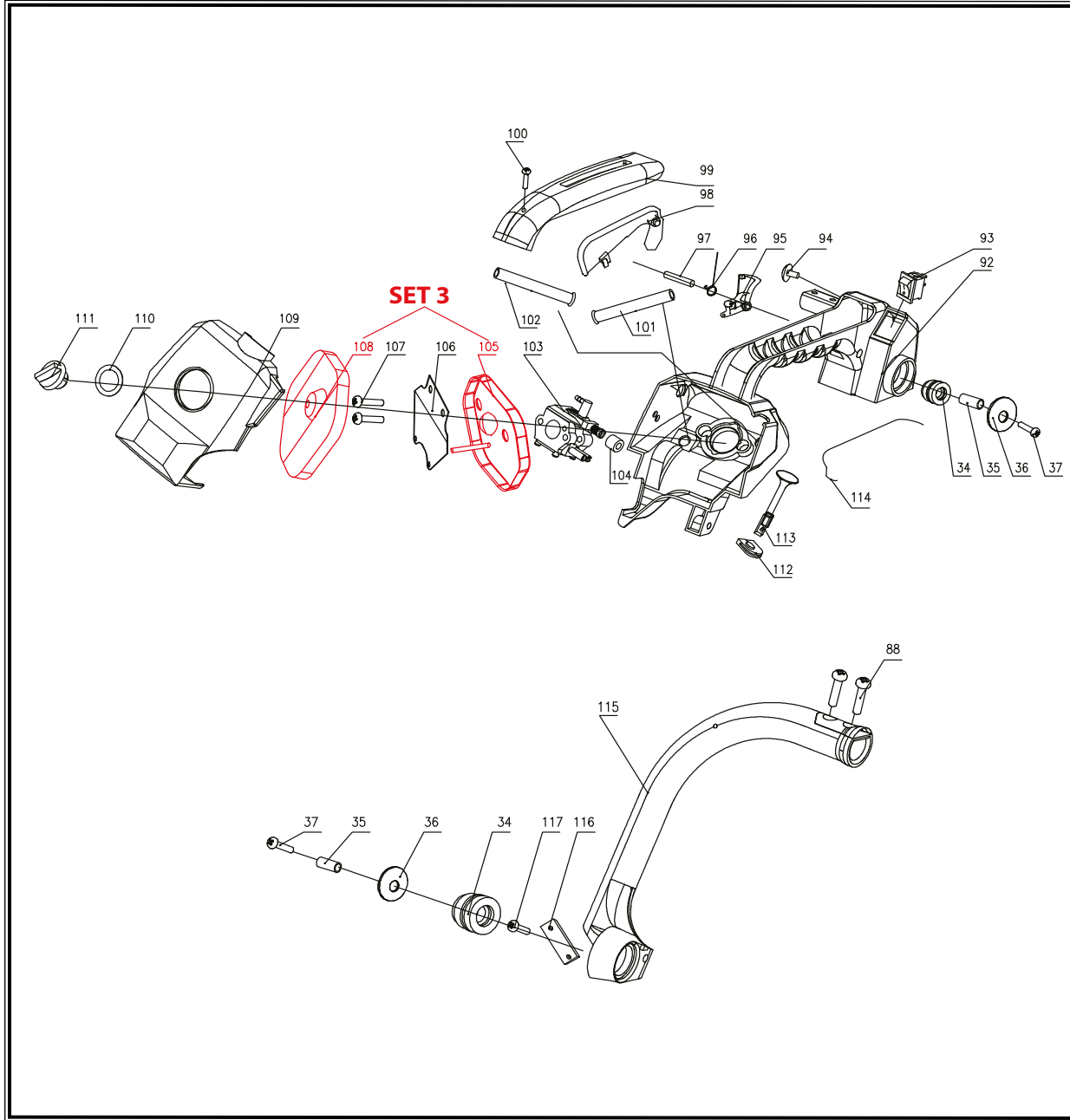


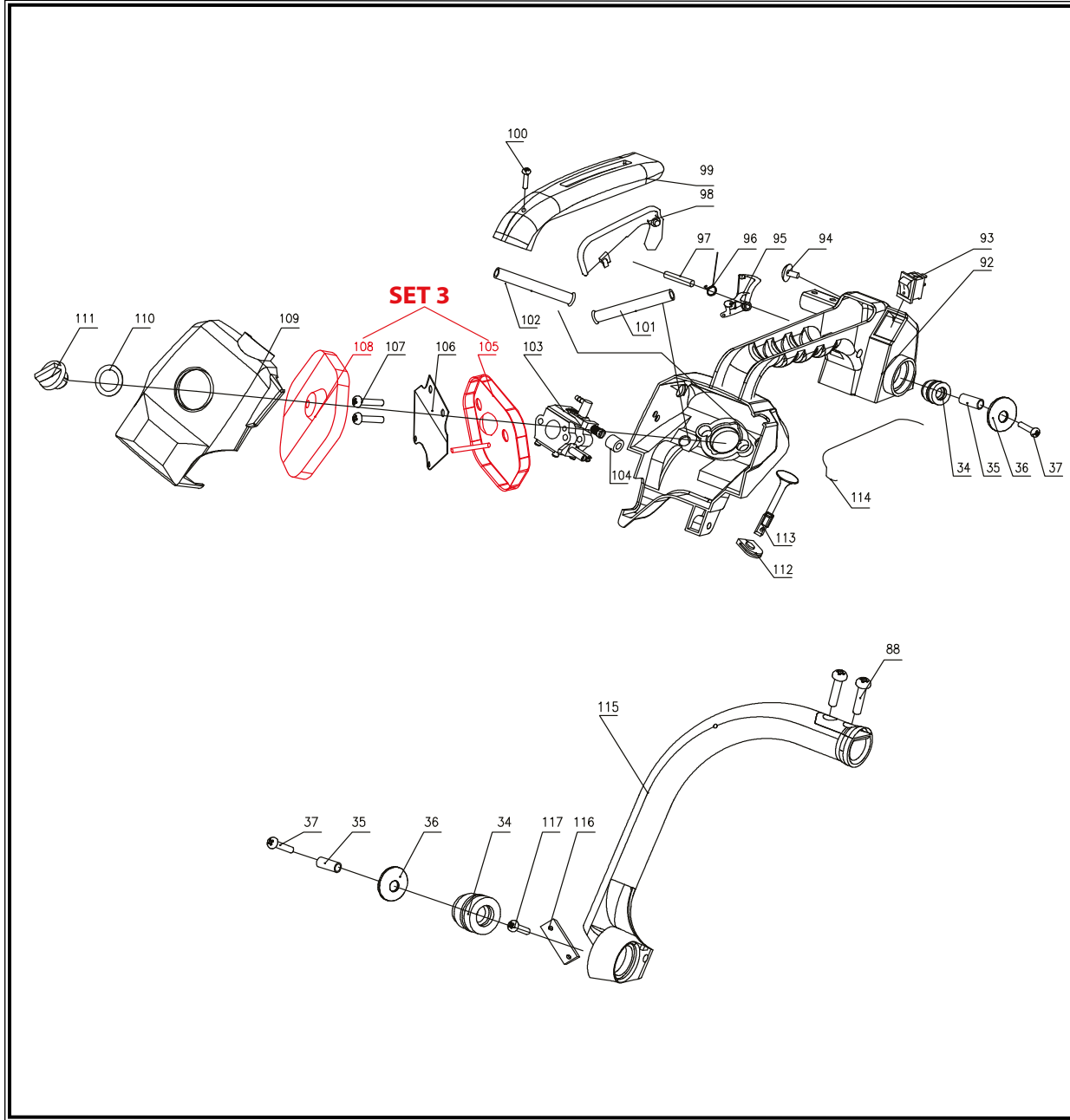
| POS. | CODE | DESCRIPTION | QTY |
|------|--------|-------------------------------|-----|
| 9 | A03923 | BEARING 6001 | 1 |
| 28 | A03942 | FUEL TANK | 1 |
| 29 | A03943 | SCREW M5x14 | 1 |
| 30 | A03944 | SCREW M5X20 | 2 |
| 31 | A03945 | SCREW M5X16 | 2 |
| 32 | A03946 | HOOK | 1 |
| 33 | A03948 | SCREW ST4.2x13 | 1 |
| 34 | A03949 | PAD RUBBER | 1 |
| 35 | A03950 | PIN BUSH | 1 |
| 36 | A03951 | WASHER 5x23x13 | 1 |
| 37 | A03952 | SCREW ST4.8x35 | 1 |
| 38 | A03953 | CHAIN CATCHER | 1 |
| 39 | A03954 | SPECIAL-SHAPED SCREW ST5.4X15 | 1 |
| 53 | A03965 | FUEL PRIMER | 1 |
| 54 | A03966 | FUEL PRIMER TUBE | 1 |
| 55 | A03967 | FUEL TUBE JOINT | 2 |
| 56 | A03968 | FUEL PRIMER OUTLET TUBE | 1 |
| 57 | A03969 | SPONGE-WASHER OIL PUMP | 1 |
| 58 | A03970 | OIL OUTLET COVER | 1 |
| 59 | A03971 | SCREW ST4.2x11 | 1 |
| 60 | A03972 | NEGATIVE PRESSURE PIPE JOINT | 1 |
| 61 | A03973 | SNAP RING | 1 |
| 62 | A03974 | NEGATIVE PRESSURE PIPE | 1 |
| 63 | A03975 | SCREW ST4.2x9.5 | 1 |
| 64 | A03976 | SCREW ST4.8X13 | 4 |
| 65 | A03977 | FELLING DOG | 1 |



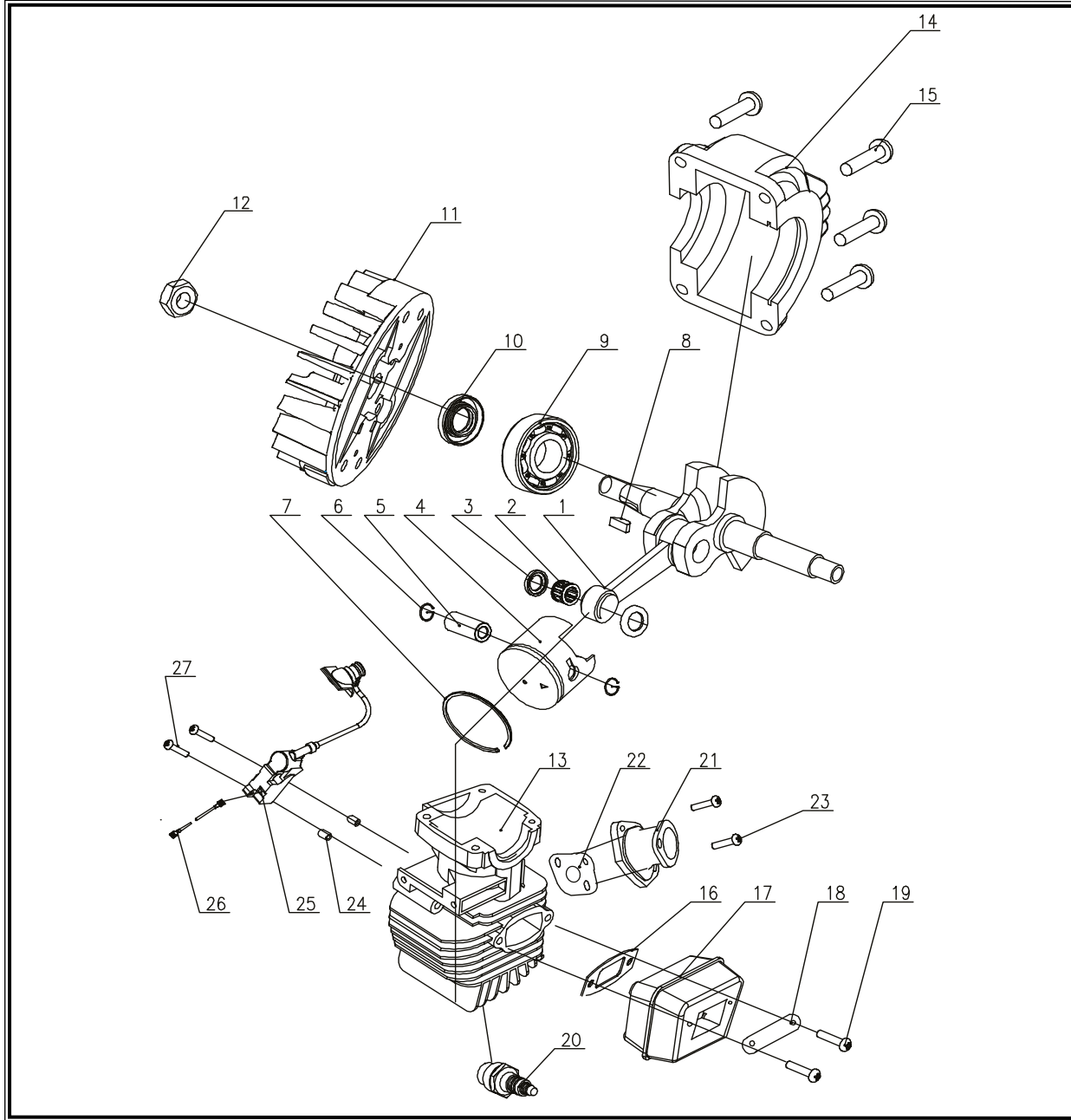
| POS. | CODE | DESCRIPTION | QTY |
|--------------------------|--------|--------------------------|-----|
| 66 | A03978 | CATCHER | 1 |
| 67 | A03979 | SUPPORT-FUEL VENTILATION | 1 |
| 68 | A03980 | FUEL VENTILATION VALVE | 1 |
| 69 | A04271 | FUEL FILTER | 1 |
| 70 | A03982 | HOSE OIL | 1 |
| SET 1 (71-73) | A03983 | FUEL CAP ASSEMBLY | 1 |
| SET 2 (73-75) | A04032 | OIL CAP ASSEMBLY | 1 |
| 76 | A03988 | OIL PIPE | 1 |
| 77 | A03989 | OIL FILTER TOIL | 1 |
| 78 | A03990 | SWITCH LINE | 1 |
| 81 | A03992 | SCREWS ST4.2X16 | 2 |
| 90 | A03994 | PAPER GASKET | 1 |
| 91 | A03995 | COVER-TOP | 1 |



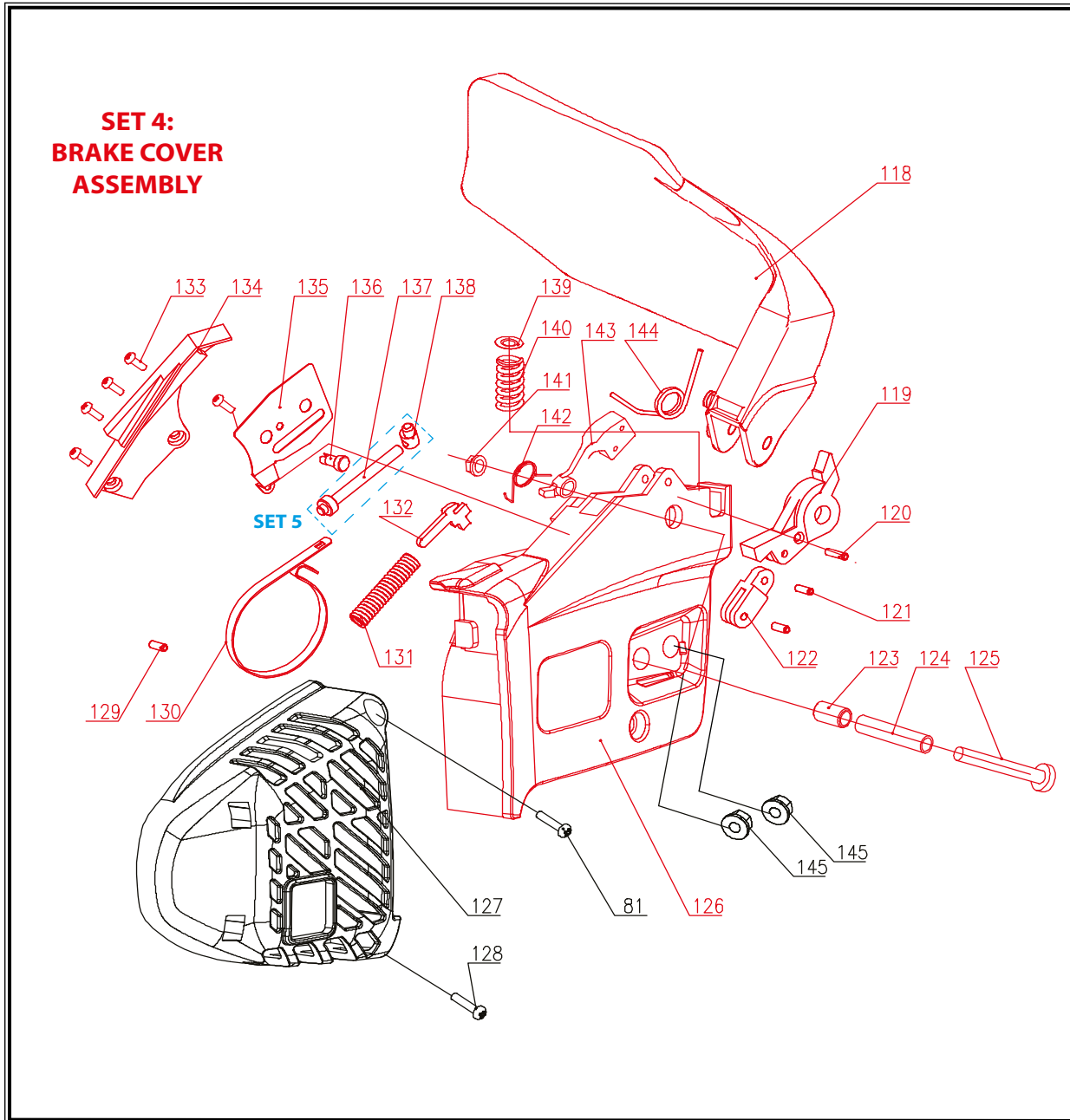
| POS. | CODE | DESCRIPTION | QTY |
|----------------------------|--------|----------------------------|-----|
| 34 | A03949 | PAD RUBBER | 2 |
| 35 | A03950 | BUSHING | 2 |
| 36 | A03951 | WASHER | 2 |
| 37 | A03952 | SCREW ST4.8X35 | 2 |
| 88 | A04458 | SCREW ST4.8X16 | 2 |
| 92 | A03996 | BACK HANDLE | 1 |
| 93 | A03997 | SWITCH STOP | 1 |
| 94 | A03998 | WASHER-REAR HANDLE | 1 |
| 95 | A03999 | TRIGGER | 1 |
| 96 | A04000 | SPRING-TRIGGER | 1 |
| 97 | A04001 | TRIGGER PIN | 1 |
| 98 | A04002 | LEVER-SAFETY TRIGGER | 1 |
| 99 | A04003 | COVER-REAR HANDLE | 1 |
| 100 | A04004 | SCREW ST4.2X19 | 1 |
| 101 | A04005 | FUEL HOSE CARBURETOR | 1 |
| 102 | A04006 | CARBURETOR OUTLET TUBE | 1 |
| 103 | A04270 | CARBURETOR | 1 |
| 104 | A04008 | SPONG-CARBURETOR | 1 |
| SET 3 (105+108) | A04009 | AIR FILTER | 1 |
| 106 | A04010 | AIR FILTER PRESSING PLATE | 1 |
| 107 | A04011 | SCREW M5X45 | 1 |
| 109 | A04013 | COVER-AIR FILTER | 1 |
| 110 | A04014 | WASHER-AIR FILTER KNOB | 1 |
| 111 | A04015 | AIR FILTER KNOB-AIR FILTER | 1 |
| 112 | A04016 | GROMMET-CHOKE KNOB | 1 |



| POS. | CODE | DESCRIPTION | QTY |
|------|--------|-----------------|-----|
| 113 | A04017 | CHOKE KNOB | 1 |
| 114 | A04018 | ROD THROTTLE | 1 |
| 115 | A04019 | HANDLE | 1 |
| 116 | A04020 | SAFETY BELT | 1 |
| 117 | A04021 | SCREWS ST4.8X12 | 1 |

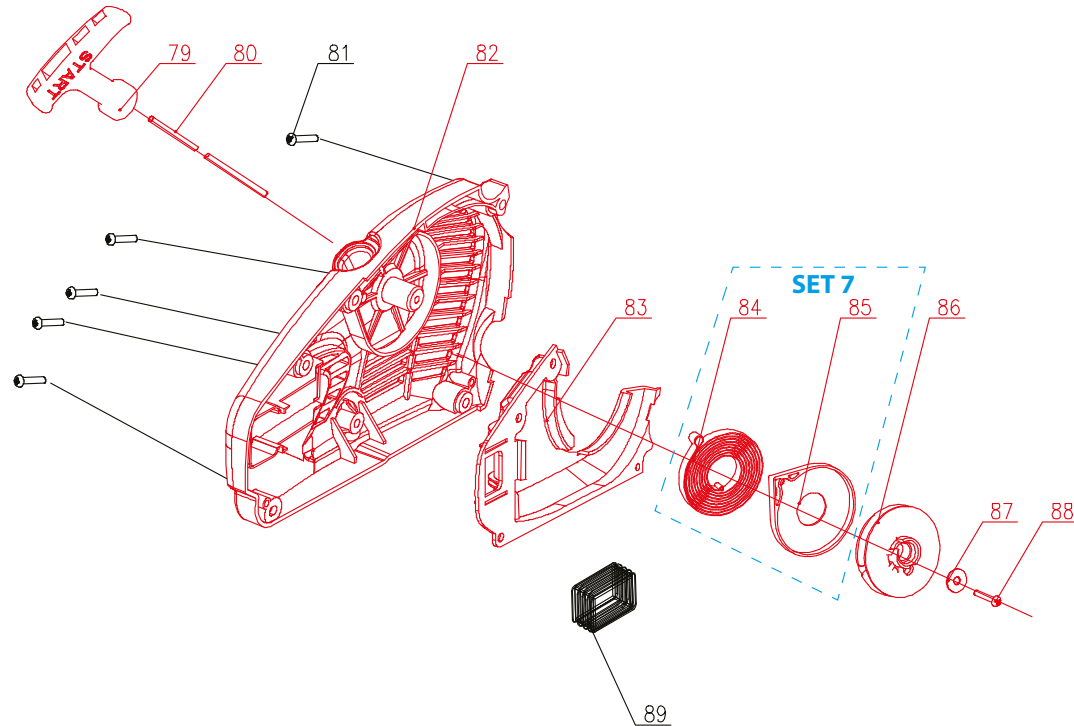


| POS. | CODE | DESCRIPTION | QTY |
|------|--------|--------------------------|-----|
| 1 | A03919 | CRANK SHAFT ASSEMBLY | 1 |
| 2 | A12126 | NEEDLE BEARING | 1 |
| 3 | A03921 | PIN SNAP | 2 |
| 4 | A04273 | PISTON 34mm | 1 |
| 5 | A04274 | PINSTON PIN | 1 |
| 6 | A04275 | SNAP RING | 2 |
| 7 | A04276 | PINSTON RING | 1 |
| 8 | A03922 | WOODRUFF KEY | 1 |
| 9 | A03923 | BEARING 6001 | 1 |
| 10 | A03924 | RIGHT OIL RING | 1 |
| 11 | A03925 | FLY-WHEEL | 1 |
| 12 | A03926 | NUT M8 | 1 |
| 13 | A03927 | CYLINDER 34mm | 1 |
| 14 | A03928 | SUPPORT CYLINDER | 1 |
| 15 | A03929 | SCREW M5X20 | 4 |
| 16 | A03930 | GASKET MUFFLER | 1 |
| 17 | A03931 | MUFFLER | 1 |
| 18 | A03932 | SHIELD-MUFFLER | 1 |
| 19 | A03933 | SCREW M5X50 | 2 |
| 20 | A03934 | SPARK PLUG | 1 |
| 21 | A03935 | HOSE-AIR | 1 |
| 22 | A03936 | WASHER INTAKE CARBURETOR | 1 |
| 23 | A03937 | SCREW M5X12 | 2 |
| 24 | A03938 | PAD-ELECTRIC IGNITION | 2 |
| 25 | A03939 | IGNITION | 1 |
| 26 | A03940 | WIRE-STOP | 1 |
| 27 | A03941 | SCREW M4X20 | 2 |

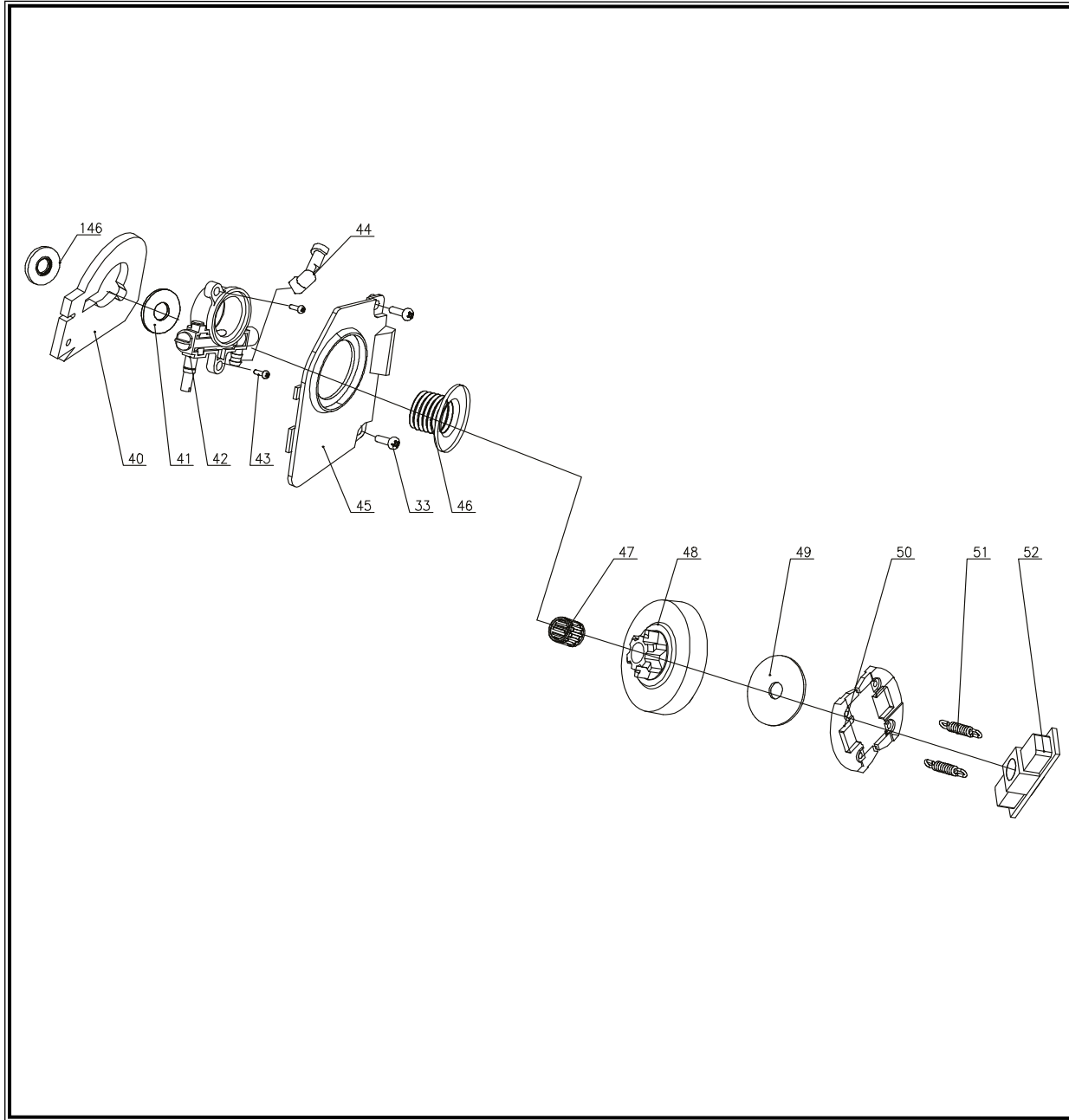


| POS. | CODE | DESCRIPTION | QTY |
|----------------------------------|--------|-------------------------------------|-----|
| SET 4 | A12559 | BRAKE COVER ASSEMBLY | 1 |
| 81 | A03992 | SCREW ST4.2X16 | 1 |
| 118 | A04288 | FRONT BRAKE LEVER | 1 |
| 119 | A04289 | PUSHER-SPRING (BRAKE) B | 1 |
| 120 | A04290 | PIN | 1 |
| 121 | A04291 | PIN | 2 |
| 122 | A04292 | PUSHER-LEVER (BRAKE) | 1 |
| 123 | A04293 | PIN-BUSHING | 1 |
| 124 | A04294 | FRONT DAMPER-BUSHING | 1 |
| 125 | A04295 | SCREW M5X30 | 1 |
| 126 | A04296 | BRAKE HOUSING | 1 |
| 127 | A04297 | SHIELD-MUFFLER | 1 |
| 128 | A04298 | SCREW M5X16 | 1 |
| 129 | A04299 | PIN | 1 |
| 130 | A04300 | BAND BRAKE | 1 |
| 131 | A04301 | SPRING-ACTUATION | 1 |
| 132 | A04302 | BRAKE CONTROL POLE | 1 |
| 133 | A04303 | SCREW ST4.2X9.5 | 5 |
| 134 | A04304 | COVER- BRAKE | 1 |
| 135 | A04305 | TENSIONER COVER | 1 |
| 136 | A04306 | TENSIONER GEAR CHAIN ADJUSTING | 1 |
| SET 5 (137-138) | A04307 | TENSIONER SCREW CHAIN ADJUSTING SET | 1 |
| 139 | A04309 | SUPPORT SPRING | 1 |
| 140 | A04310 | COMPRESS SPRING-LEVERAGE | 1 |
| 141 | A04311 | LOCK NUT M5 | 1 |
| 142 | A04312 | SPRING-LEVERAGE | 1 |
| 143 | A04313 | LEVERAGE-BRAKE | 1 |
| 144 | A04314 | COMPRESS SPRING-LEVERAGE | 1 |
| 145 | A04022 | NUT M8 | 2 |

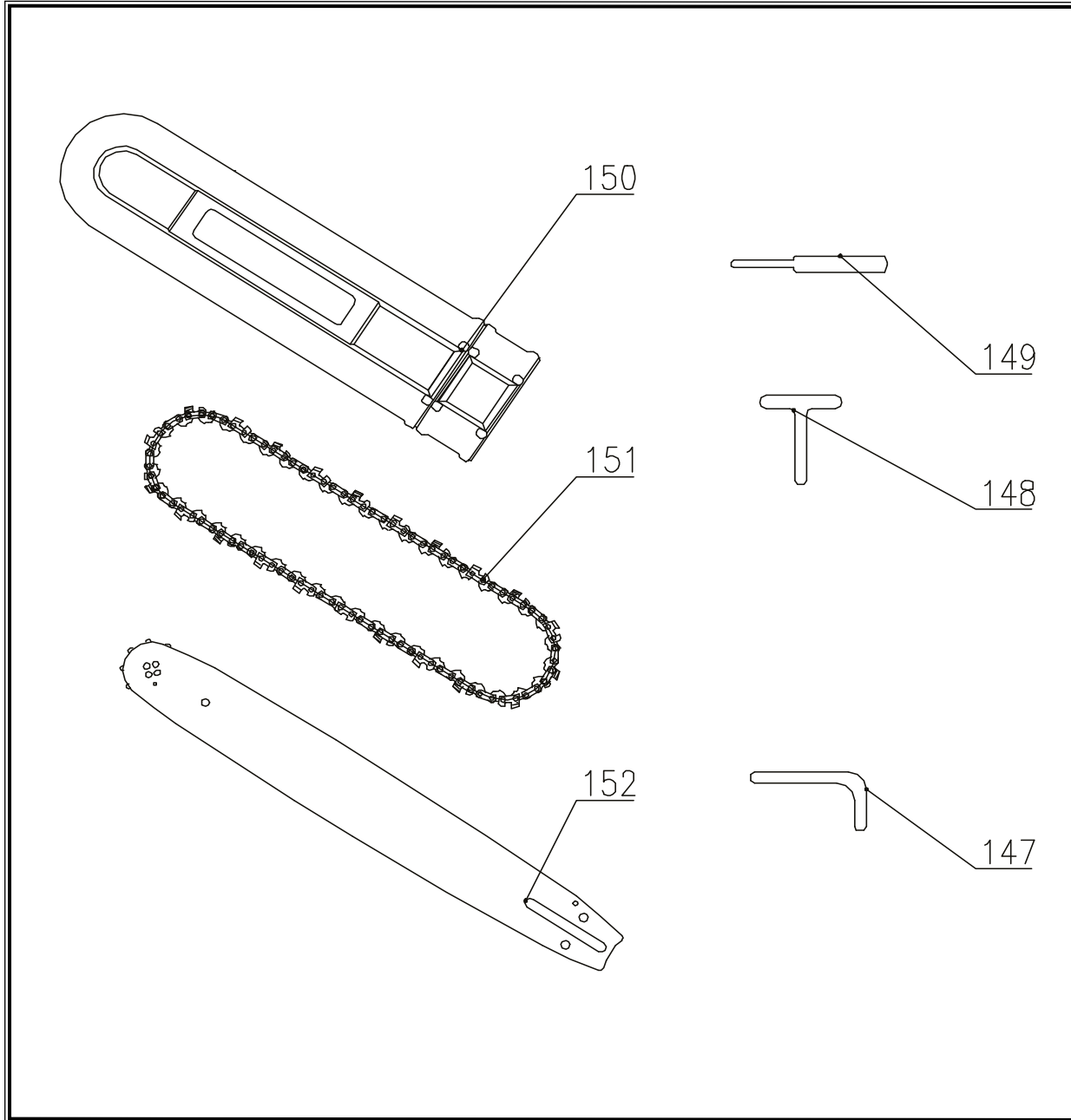
**SET 6:
STARTER
ASSEMBLY**



| POS. | CODE | DESCRIPTION | QTY |
|--------------------------|--------|-------------------------|-----|
| SET 6 | A12557 | STARTER ASSEMBLY | 1 |
| 79 | A04451 | HANDLE-STARTER | 1 |
| 80 | A04452 | ROPE-STARTER | 2 |
| 81 | A03992 | SCREWS ST4.2X16 | 5 |
| 82 | A04453 | HOUSING-STARTER | 1 |
| 83 | A03991 | BAFFLER-FAN | 1 |
| SET 7 (84-85) | A04283 | SPRING-STARTER ASSEMBLY | 1 |
| 85 | A04284 | COVER-SPRING STARTER | 1 |
| 86 | A04456 | PULLEY-STARTER | 1 |
| 87 | A04457 | WASHER | 1 |
| 88 | A04458 | SCREWS ST4.8X16 | 1 |
| 89 | A03993 | HOSE AIR SEAT | 1 |



| POS. | CODE | DESCRIPTION | QTY |
|------|--------|-----------------------------|-----|
| 33 | A03948 | SCREWS ST4.2X13 | 2 |
| 40 | A03955 | SHIELD-OIL PUMP | 1 |
| 41 | A03956 | WORM GEAR GASKET | 1 |
| 42 | A03957 | OIL PUMP | 1 |
| 43 | A03958 | SOCKET HEAD CAP SCREW M4X14 | 2 |
| 44 | A03959 | HOSE-CHAIN OIL OUTGOING | 1 |
| 45 | A03960 | SHIELD-OIL PUMP | 1 |
| 46 | A03961 | WORM | 1 |
| 47 | A03962 | NEEDLE BEARING | 1 |
| 48 | A03963 | COVER-DRUM CLUTCH | 1 |
| 49 | A03964 | WASHER-DRUM CLUTCH | 1 |
| 50 | A04277 | CLUTCH SHOE | 1 |
| 51 | A04278 | SPRING CLUTCH | 2 |
| 52 | A04279 | CLUTCH RETAINER | 1 |
| 146 | A04023 | OIL RING 12X28X6 | 1 |



| POS. | CODE | DESCRIPTION | QTY |
|------|--------|-------------------------|-----|
| 147 | A04024 | ALLEN 4 | 1 |
| 148 | A04025 | PLUG WRENCH SPANNER | 1 |
| 149 | A04026 | STRAIGHT SCREW DRIVER | 1 |
| 150 | A04027 | GUIDE BAR COVER | 1 |
| 151 | * | CHAIN 3/8" - 1,3mm-40 | 1 |
| 152 | * | BAR 25cm - 3/8" - 1.3mm | 1 |

* MORE DETAILS TO OUR CATALOGUE