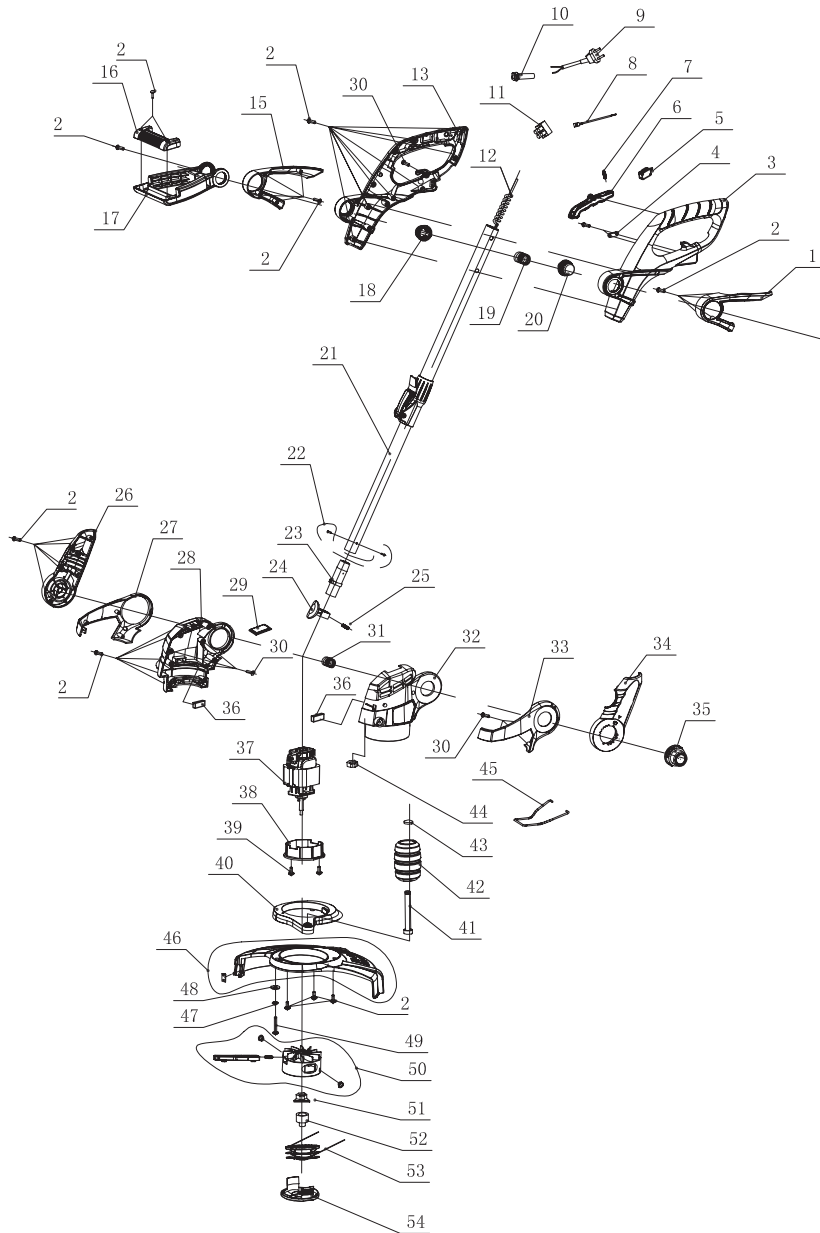


| POS. | CODE | DESCRIPTION | QTY |
|------|--------|-----------------------------|-----|
| 1 | A00223 | RIGHT HANDLE TRIM COVER | 1 |
| 2 | A00224 | SCREW | 26 |
| 3 | A00225 | RIGHT HANDLE | 1 |
| 4 | A00226 | TENSION DISC | 2 |
| 5 | A00227 | MICRO SWITCH | 1 |
| 6 | A00228 | SWITCH TRIGGER | 1 |
| 7 | A00229 | TRIGGER SPRING | 1 |
| 8 | A00230 | INTERNAL WIRE | 1 |
| 9 | A00231 | POWER CORD | 1 |
| 10 | A00232 | CORD BUSHING | 1 |
| 11 | A00233 | BINDING POST | 1 |
| 12 | A00234 | SPRING WIRE ASSEMBLY | 1 |
| 13 | A00235 | LEFT HANDLE | 1 |
| 15 | A00236 | LEFT HANDLE TRIM COVER | 1 |
| 16 | A00237 | SUB-CONTROLLER TOP COVER | 1 |
| 17 | A00238 | SUB-CONTROLLER BELOW | 1 |
| 18 | A00239 | SUB-CONTROLLER LEFT BUTTON | 1 |
| 19 | A00240 | SPRING | 1 |
| 20 | A00241 | SUB-CONTROLLER RIGHT BUTTON | 1 |
| 21 | A00242 | TELESCOPING TUBE ASSEMBLY | 1 |
| 22 | A00243 | SCREW | 2 |
| 23 | A00244 | ROTATING JOINT | 1 |
| 24 | A00245 | PIVOT HEAD | 1 |
| 25 | A00246 | BUTTON SPRING | 1 |
| 26 | A00247 | LEFT CONNECTOR | 1 |
| 27 | A00248 | LEFT HOUSING TRIM COVER | 1 |
| 28 | A00249 | LEFT HOUSING | 1 |
| 29 | A00250 | NORMAL TRIM COVER | 1 |
| 30 | A00251 | SCREW | 7 |



| POS. | CODE | DESCRIPTION | QTY |
|------|--------|--------------------------|-----|
| 31 | A00252 | CONNECTOR SPRING | 1 |
| 32 | A00253 | RIGHT HOUSING | 1 |
| 33 | A00254 | RIGHT HOUSING TRIM COVER | 1 |
| 34 | A00255 | RIGHT CONNECTOR | 1 |
| 35 | A00256 | HEADING ROTATING BUTTON | 1 |
| 36 | A00258 | RUBBER PAD | 2 |
| 37 | A00259 | MOTOR | 1 |
| 38 | A00260 | MOTOR BRACKET | 1 |
| 39 | A00261 | SCREW | 2 |
| 40 | A00262 | ROLLER BRACKET | 1 |
| 41 | A00263 | ROLLER BOLT | 1 |
| 42 | A00264 | EDGING ROLLER | 1 |
| 43 | A00265 | BEARING HOLDER WITH CAP | 1 |
| 44 | A00266 | HEXAGON NUT | 1 |
| 45 | A00267 | RETRACTABLE FLOWER GUARD | 1 |
| 46 | A00268 | PROTECT SHIELD | 1 |
| 47 | A00269 | SPRING WASHER | 1 |
| 48 | A00270 | FLAT GASKET | 1 |
| 49 | A00271 | SCREW | 1 |
| 50 | A00272 | AUTOMATIC BLADE ASSEMBLY | 1 |
| 51 | A00273 | FLANGE NUT | 1 |
| 52 | A00274 | TRIM COVER | 1 |
| 53 | 44640 | FEED SPOOL ASSEMBLY | 1 |
| 54 | 44642 | FEED CUP | 1 |