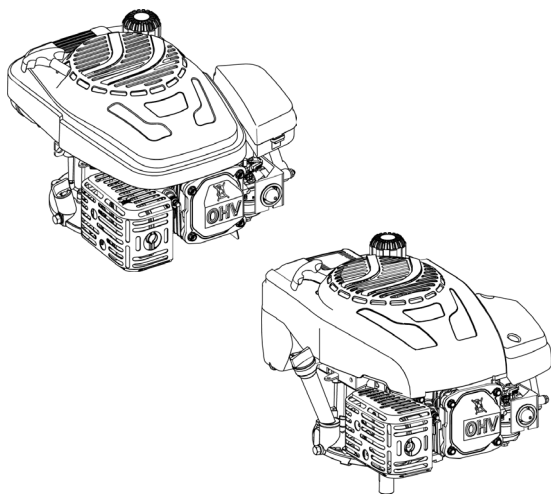


FF GROUP®



GLM 40/124 P EASY
GLM 42/124 SP EASY
GLM 46/140 SP PLUS
GLM 51/160 SP PLUS

EN

ORIGINAL INSTRUCTIONS

FR

NOTICE ORIGINALE

IT

ISTRUZIONI ORIGINALI

EL

ΠΡΩΤΟΤΥΠΟ ΟΔΗΓΙΩΝ ΧΡΗΣΗΣ

SR

ORIGINALNO UPUTSTVO ZA RAD

HR

ORIGINALNE UPUTE ZA RAD

RO

INSTRUCȚIUNI DE FOLOSIRE ORIGINALE

HU

EREDETI UTASÍTÁSOK

LT

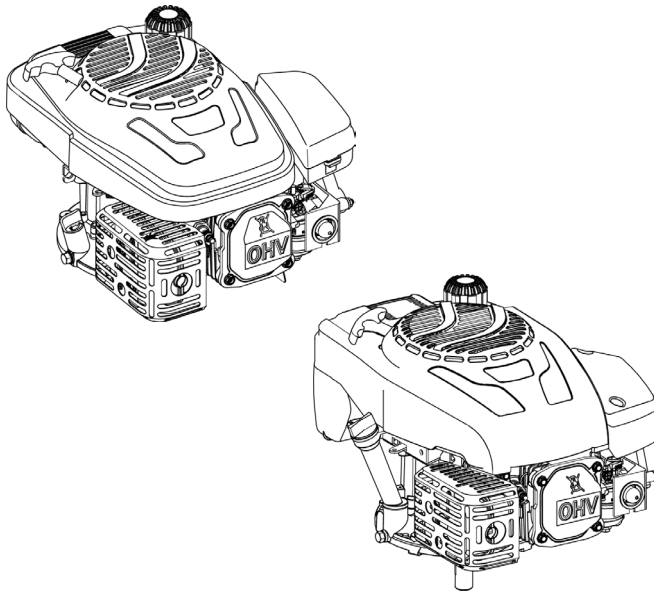
ORIGINALIOS INSTRUKCIJOS

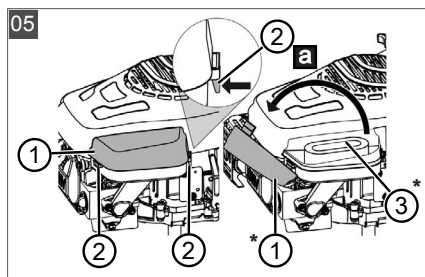
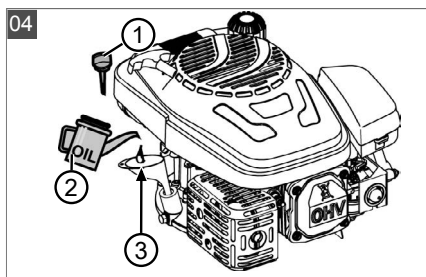
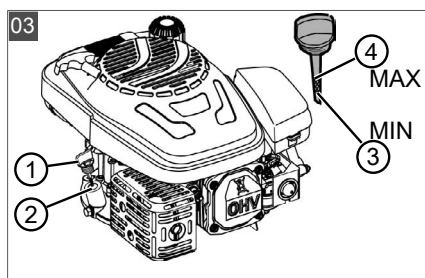
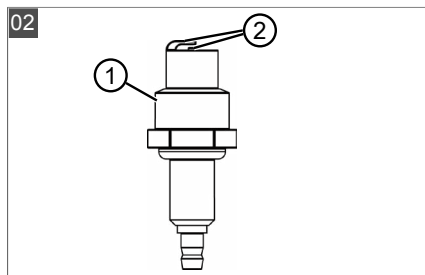
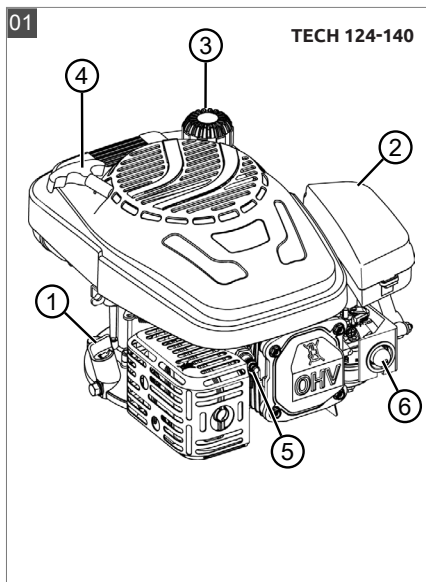
EXPLANATION OF SYMBOLS /

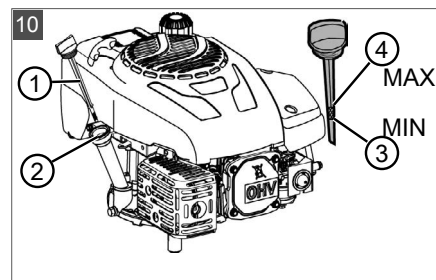
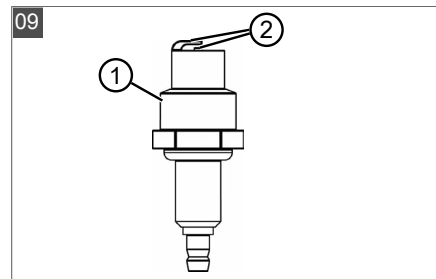
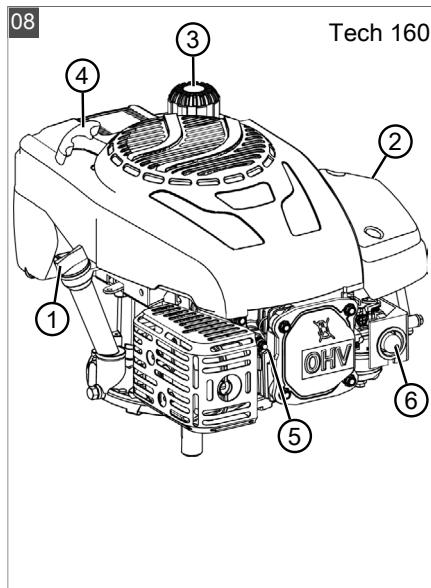
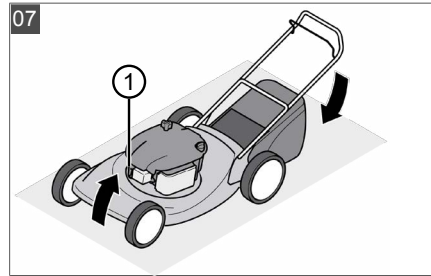
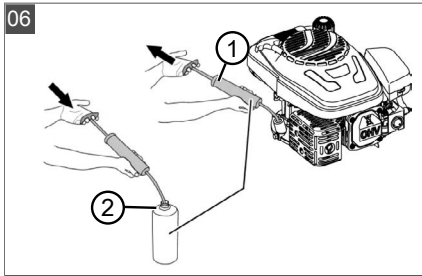
EXPLICATION DES SYMBOLES / SPIEGAZIONE DEI SIMBOLI / ΕΠΕΞΗΓΗΣΗ ΣΥΜΒΟΛΩΝ / OBJAŠNENJE SIMBOLA / OBJAŠNJENJE SIMBOLA / EXPLICAREA SIMBOLURILOR / SZIMBÓLUMOK JELENTÉSE / SIMBOLIŲ PAAIŠKINIMAS

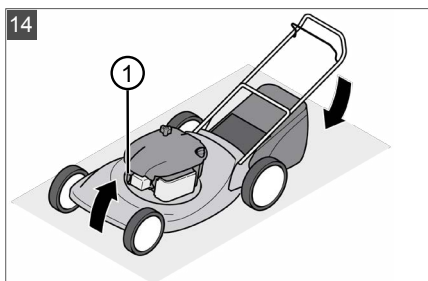
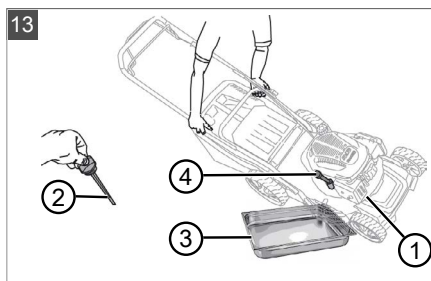
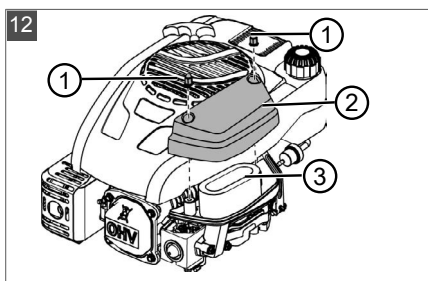
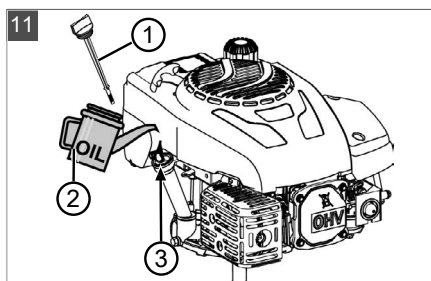
6









EN	ENGINE	8
FR	MOTEUR	16
IT	MOTORE	25
EL	ΚΙΝΗΤΗΡΑΣ	34
SR	MOTOR	43
HR	MOTOR	51
RO	MOTOR	59
HU	MOTOR	68
LT	VARIKLIS	77
CE		86









	ENGLISH	FRANÇAIS	ITALIANO	ΕΛΛΗΝΙΚΑ
	EXPLANATION OF SYMBOLS	EXPLICATION DES SYMBOLES	SPIEGAZIONE DEI SIMBOLI	ΕΠΕΞΗΓΗΣΗ ΣΥΜΒΟΛΩΝ
	Always read and understand the instructions before operating	Toujours lire et comprendre les instructions avant d'opérer	Leggere e comprendere sempre le istruzioni prima di operare	Διαβάστε και κατανοήστε τις οδηγίες χρήσης πάντα πριν από τη λειτουργία
	Always wear appropriate ear protection when operating	Portez toujours une protection de l'oreille appropriée lors de l'exploitation	Indossare sempre un'adeguata protezione dell'occhio quando si opera	Να χρησιμοποιείτε πάντα κατάλληλη προστασία αυτιών κατά τη λειτουργία
	Important, danger, warning, or caution	Important, danger ou avertissement	Importante, pericolo o avviso	Σημαντικό, κίνδυνος ή προειδοποίηση
	Do not keep or operate in wet environment	Ne pas conserver ou opérer dans un environnement humide	Non tenere o operare in un ambiente umido	Μη διατηρείτε ή λειτουργείτε σε υγρό περιβάλλον
	Risk of poisoning, due to toxic gases	Risque d'empoisonnement, dû aux gaz toxiques	Rischio di avvelenamento, a causa di gas tossici	Κίνδυνος δηλητηρίασης, λόγω τοξικών αερίων
	Risk of fire	Risque de feu	Rischio di incendio	Κίνδυνος φωτιάς
	Running engines generate heat. Parts of the engine, especially the exhaust, get extremely hot. Switch off the engine and let it cool down.	Les moteurs en service produisent de la chaleur. Les éléments du moteur, en particulier l'échappement, deviennent extrêmement chauds. Couper le moteur et le laisser refroidir.	I motori in funzione producono calore. I componenti del motore, in particolare lo scarico, diventano estremamente caldi. Arrestare il motore e lasciarlo raffreddare.	Οι κινητήρες όταν λειτουργούν παράγουν θερμότητα. Μέρη του κινητήρα, ειδικά η εξάτμιση, είναι εξαιρετικά ζεστά.
	Complies with applicable safety directives and relative standards	Conforme aux directives de sécurité applicables et aux normes relatives	Conforme alle direttive di sicurezza applicabili e alle relative norme	Συμμορφώνεται με τις ισχύουσες οδηγίες ασφαλείας και τα σχετικά πρότυπα

SRPSKI	HRVATSKI	ROMÂNĂ	MAGYAR	LIETUVIŲ K.
OBJAŠNJENJE SIMBOLA	OBJAŠNJENJE SIMBOLA	EXPLICAREA SIMBOLURILOR	SZIMBÓLUMOK JELENTÉSE	SIMBOLIŲ PAAIŠKINIMAS
Uvek pročitajte i razumejte uputstva pre rada	Uvijek pročitajte i shvatite upute prije operacije	Citiți și înțelegeți întotdeauna instrucțiunile înainte de a utiliza	Használat előtt mindig olvassa el és értse meg az utasításokat	Prieš pradėdami dirbti, visada perskaitykite ir supraskite instrukcijas
Uvek nosite odgovarajuću zaštitu za uši kada radila	Uvijek nosite odgovarajuću zaštitu za uši prilikom rada	Purtați întotdeauna o protecție adecvată a urechii în timpul funcționării	Működés közben mindig viseljen megfelelő fülvédőt	Dirbdami visada dėvėkite tinkamas ausų apsaugos priemones
Važno, opasnost ili upozorenje	Važno, opasnost ili upozorenje	Important, pericol sau avertisment	Fontos, veszély, figyelmeztetés vagy óvatosság	Svarbu, pavojus, įspėjimas ar atsargumas
Ne držite ili ne radite u vlažnom okruženju	Nemojte držati ili ne raditi u mokrom okruženju	Nu păstrați și nu acționați într-un mediu umed	Ne tárolja és ne működtesse nedves környezetben	Negalima laikyti ar veikti drėgnoje aplinkoje
Rizik od trovanja, zbog otrovnih gasova	Opasnost od trovanja, zbog otrovnih plinova	Risc de otrăvire, din cauza gazelor toxice	Mérgezésveszély a mérgező gázok miatt	Apsinuodijimo rizika dėl toksiškų dujų
Rizik od požara	Opasnost od požara	Risc de incendiu	Tűzveszély	Gaisro pavojus
Mašine koje koriste motore stvaraju toplotu. Delovi motora, posebno izduvni, dobijaju izuzetno toplo.	Pokrenuti motori proizvode toplinu. Dijelovi motora, posebice ispuh, postaju vrlo vrući. Zaustavite motor i pričekajte da se rashladi.	Motoarele care rulează generează căldură. Părți ale motorului, în special de evacuare, a lua extrem de cald. Oprăți motorul și lăsați-l să se răcească.	A működő motorok hőt termelnek. A motor egyes részei, különösen a kipufogó, rendkívül felforrósodnak. Állítsa le a motort és hagyja kihűlni.	Veikiantys varikliai generuoja šilumą. Variklio dalys, ypač išmetimas, labai įkaista. Išjunkite variklį ir leiskite jam atvėsti.
U skladu sa važećim bezbednosnim direktivama i relativnim standardima	U skladu s primjenjivim sigurnosnim direktivama i relativnim standardima	Respectă directivele de siguranță aplicabile și standardele aferente	Megfelel a vonatkozó biztonsági irányelveknek és a vonatkozó szabványoknak	Atitinka taikomas saugos direktyvas ir santykinius standartus

ENGLISH

1. ABOUT THESE OPERATING INSTRUCTIONS

- Keep these operating instructions in a safe place at all times so that they can be consulted if you need any information about the product.
- Only pass on the product to other persons together with these operating instructions.
- Comply with the safety and warning information in these operating instructions.
- Also comply with the enclosed operating instructions for the appliance.

1.1 LEGENDS AND SIGNAL WORDS

DANGER! Denotes an imminently dangerous situation which will result in fatal or serious injury if not avoided.

WARNING! Denotes a potentially dangerous situation which can result in fatal or serious injury if not avoided.

CAUTION! Denotes a potentially dangerous situation which can result in minor or moderate injury if not avoided.

IMPORTANT! Denotes a situation which can result in material damage if not avoided.

NOTE Special instructions for ease of understanding and handling.

2. PRODUCT DESCRIPTION

This documentation describes two variants of an internal combustion engine – hereinafter referred to as “engine”. Please observe the instruction steps appropriate to your appliance.

- Tech 124-140
- Tech 160

In addition, always comply with the operating instructions of the lawnmower in which the respective engine is installed.

2.1. DESIGNATED USE

The engine has been designed for driving lawnmowers for private use. Due to its exhaust gases it must only be operated outdoors and not indoors. Any use not in accordance with this designated use shall be regarded as misuse. This engine is intended solely for use in noncommercial applications. Any other use (as well as unauthorised conversions or add-ons) are regarded as contrary to the intended use and will result in exclusion of the warranty as well as loss of conformity (CE mark); the manufacturer will thus decline any responsibility for damage and/or injury suffered by the user or third parties.

2.2. IDENTIFICATION (01, 08)

No	COMPONENT
1	Cap (with dipstick) for oil filler opening
2	Air filter cover
3	Fuel tank cap

4	Starter handle
5	Spark plug connector
6	Primer button

3. SAFETY INSTRUCTIONS

DANGER! Danger of fatal injury and danger of extremely severe injury! Lack of knowledge of the safety instructions and operating instructions can lead to extremely serious and even fatal injury.

- Observe all safety instructions and instructions for use in these operating instructions as well the operating instructions which are referred to before you start using the appliance.
- Keep all supplied documents in a safe place for future reference.
- Risk of poisoning. The engine exhaust gases contain carbon monoxide that can kill a person within a few minutes. Observe the following before or during use:
 - Operate the engine only outdoors, never in a closed room.
 - Do not inhale the engine exhaust gases.
 - Switch off the engine if you feel nauseous, dizzy or weak when using this appliance.
- Only use the engine if it is in perfect technical condition.
- Do not disable safety and protective devices.
- Wear ear defenders.
- Carefully read and follow these operating instructions and the operating instructions for the lawnmower in which this engine is installed. Learn how to stop the engine quickly.
- Do not use starter sprays or similar.

3.1 OPERATOR

- Young people under 16 years of age and people who do not know the operating instructions are not allowed to use the engine. Observe any country-specific safety regulations concerning the minimum age of the user.
- Do not operate the engine if you are under the influence of alcohol, drugs or medication.

3.2 SAFETY OF PERSONS, ANIMALS AND PROPERTY

- Use the engine only as intended. Any non-intended use can lead to injury and property damage.
- The user is responsible for accidents involving other people and their property.
- Keep third parties out of the danger area.
- Only switch the engine on when there are no persons or animals in the working area.
- Maintain a safe distance to persons or animals, or switch the engine off if persons or animals approach.
- Never direct the exhaust gas jet of the engine towards persons and animals or towards inflammable products and objects.
- Do not reach into the vacuum and vent grilles when the engine is running. Injuries can occur due to rotating appliance parts.
- Always switch the engine off when not in use, e.g. when changing the work area, during service and

maintenance, and when filling with the petrol/oil mixture.

- Do not operate the engine in poorly ventilated working areas (e.g. a garage). The exhaust gases contain poisonous carbon monoxide as well as other harmful substances.
- Immediately switch the engine off if there is an accident in order to avoid further injuries and/or property damage.
- Never operate the engine with worn or defective parts. Worn or defective parts can cause serious injuries.
- Only use genuine spare parts and genuine accessories.
- Keep the engine out of the reach of children.
- Do not allow children and adolescents to play with the engine.

3.3 HANDLING OF PETROL AND OIL

- Risk of explosion and fire: An escaping petrol/air mixture can cause an explosive atmosphere. Deflagration, explosion and fire can lead to serious and even fatal injuries if fuel is not handled properly. Observe the following:
 - Do not smoke when dealing with petrol.
 - Only handle petrol out of doors and never in enclosed spaces.
 - It is essential to heed the code of conduct stated below.
 - Only transport and store petrol and oil in containers approved for that purpose. Ensure that children have no access to stored petrol and oil.
 - In order to avoid ground contamination (environmental protection) when filling, ensure that no petrol or oil enters the soil. Use a funnel for filling.
 - Never fill the appliance in enclosed spaces. Petrol vapours may gather at ground level, and thereby result in a deflagration or even an explosion.
 - Immediately wipe any spilled petrol off the appliance and the ground. Allow textiles used to wipe off petrol to dry in a well ventilated place before disposing of them. Otherwise, sudden self-ignition may occur.
 - If petrol has been spilled, petrol vapours occur. For this reason, do not start the engine at the same location and move it at least 3 m away.
 - Avoid skin contact with mineral oil products. Do not inhale petrol vapours. When filling, always wear protective gloves. Change and clean protective clothing regularly.
 - Ensure that your clothing does not come into contact with petrol. If petrol has got onto your clothing, change it immediately.
 - Never fill the appliance while the engine is running or hot.

4. START-UP

NOTE Before starting up:

- Always perform a visual check. Do not operate the engine if the operating and/or fastening parts are loose, damaged, or worn.
- Be sure to add engine oil.

4.1 CHECK THE GENERAL STATE OF THE ENGINE

1. Check the engine for:

- Signs of an oil or petrol leak on the exterior and underside of the engine.
- Excessive dirt or foreign bodies
- Indications of damage
- Tightness of all nuts, bolts and screws
- Tight fitting and presence of all screens and covers
- Damage or contamination of the air filter
- Fuel level
- Engine oil level

2. ELIMINATE ANY IDENTIFIED DEFECTS BEFORE STARTING UP.

4.2. FILLING WITH FUEL

WARNING! Danger of explosion and fire. Petrol and oil are highly flammable. Fire can lead to serious injuries.

- Only refill petrol and oil in the open and never in the vicinity of naked flames or sources of heat.
- Immediately renew the tank or tank cap if damaged.
- Always close the tank lid firmly.
- If petrol has leaked out:
 - Do not start the engine.
 - Avoid start attempts.
 - Clean the lawnmower and engine.
- Spilled fuel can lead to damage to plastic parts: Immediately wipe off fuel. The warranty does not cover damage to plastic parts caused by fuel.

4.2.1. CHECKING THE OIL LEVEL (03, 10)

IMPORTANT! Danger of engine damage. A low oil level can cause engine damage.

- Check the oil level at regular intervals.
- If the level is low, top up with clean oil.

TECH 124-140 (03)

1. Stop the engine and let it cool down.

Note: The engine must be level.

2. Remove any foreign bodies from the vicinity of the oil filler opening.
3. Unscrew the oil dipstick (03/1) from the oil filler opening (03/2) and wipe it clean.
4. Insert the oil dipstick (03/1) into the oil filler opening (03/2) until the cap contacts the filler opening neck (do not screw in) and remove it again.
5. Check that the level is between the MIN (03/3) and MAX (03/4) marks.
6. When the oil level is near or below the MIN mark (03/3): Fill with oil see chapter 4.2.2 "Filling with engine oil (04, 11)".
7. Insert the oil dipstick and screw tight.
8. Remove any spilled oil.

TECH 160 (10)

1. Stop the engine and let it cool down.

Note: The engine must be level.

2. Remove any foreign bodies from the vicinity of the oil filler opening.
3. Unscrew the oil dipstick (10/1) from the oil filler opening (10/2) and wipe it clean.
4. Insert the oil dipstick (10/1) into the oil filler

opening (10/2) until the cap contacts the filler opening neck (do not screw in) and remove it again.

5. Check that the level is between the MIN (10/3) and MAX (10/4) marks.
6. When the oil level is near or below the MIN mark (10/3): Fill with oil see chapter 4.2.2 "Filling with engine oil (04, 11)".
7. Insert the oil dipstick and screw tight.
8. Remove any spilled oil.

4.2.2. FILLING WITH ENGINE OIL (04, 11)

Oil recommendations

Engine oil is a decisive factor for the performance and lifetime of the engine.

- Use a detergent engine oil that meets the requirements for API service class SF or higher (or equivalent).
- Check the API service label on the oil container in order to ensure that the letters SF or those of a higher (or equivalent) class are present.
- SAE 15W-40 is recommended for general use. The recommended operating temperature range for this oil is 5°C to 38°C.

IMPORTANT! Danger of engine damage. Using SAE 15W-40 oil (monograde summer oil) at temperatures lower than +5°C may cause engine damage due to insufficient lubrication.

- Use SAE 15W-40 for the temperature range from 0°C to 40°C.
- The use of multi-grade oils can result in a higher consumption at higher temperatures. Therefore check the oil level more frequently.
- Do not mix oils of different grades and with different properties.

Filling with oil

NOTE Do not fill oil level above MAX. Too much oil will cause:

- Smoke in the exhaust
- Contamination of the spark plug or the air filter

TECH 124-140 (04)

NOTE The oil capacity for the engine is max. 0.45 l.

1. Fill engine oil into a suitable container.
2. Remove the oil dipstick (04/1) from the oil filler opening (04/2).
3. Add oil slowly and in small quantities into the oil filler opening, using a funnel.
4. Insert and lock the oil dipstick.
5. Remove any spilled oil.

TECH 160 (11)

NOTE The oil capacity for the engine is max. 0.5 l.

1. Fill engine oil into a suitable container.
2. Remove the oil dipstick (11/1) from the oil filler opening (11/2).
3. Add oil slowly and in small quantities into the oil filler opening.
4. Insert the oil dipstick and screw tight.
5. Remove any spilled oil.

4.2.3. FILLING WITH PETROL (01, 08)

Recommendations regarding petrol

- Use clean, fresh, lead-free petrol with a minimum

octane rating of 90.

- Buy fuel in quantities that can be consumed within 30 days.
- Petrol with up to 10% ethanol is acceptable.
- Do not mix petrol with oil.
- Only start and allow the engine to run outdoors.

FILLING WITH PETROL

1. Remove the tank cap (01/3) or (08/3).
2. Fill the tank up to the lower edge of the oil filler pipe. Do not overfill.
3. Screw the tank cap (01/3) or (08/3) on firmly again.

5. OPERATING THE ENGINE

For further information: refer to the lawnmower's operating instructions.

DANGER! Risk of poisoning. The engine exhaust gases contain carbon monoxide that can kill a person within a few minutes.

- Only start and operate the engine in the open air.
- Never operate the engine in enclosed areas even with the windows and doors open.
- Do not inhale the engine exhaust gases.
- Switch off the engine if you feel nauseous, dizzy or weak during use. Immediately consult a doctor.

WARNING! Danger of explosion and fire.

Petrol and oil are highly flammable. Fire can lead to serious injuries.

- Never use starter spray or similar.
- **WARNING!** Danger of burns. Engines become very hot in operation!
- Never touch parts of the engine, in particular the exhaust.
- Allow the exhaust, cylinder and cooling vanes to cool down before contact.

WARNING! Danger from rotating appliance parts! Reaching into rotating appliance parts will result in serious injuries!

- Never reach into rotating parts.
- Before starting to use the engine, observe the operating instructions for the appliance.
- Only start and allow the engine to run outdoors.
- Do not operate the engine in inclined positions with an angle of more than 15°.
- Only start the engine in the horizontal position.
- Do not tilt the machine so far to the side that fuel runs out of the fuel tank cap.
- Check the oil level.
- Tie up long hair and remove jewellery.
- Do not wear loose clothing.
- Wear sturdy, non-slip shoes.
- Do not change the basic setting of the engine or over-rev.
- Keep the safety distance when starting.
- Switch off the engine and allow to cool down before removing the tank cap.
- Switch off the engine, allow it to cool and remove the spark plug cable before checking, cleaning or working on the machine or engine.
- Wait until the engine has cooled down sufficiently before touching the cylinder ribs and protective housing.
- Do not rotate the engine without a spark plug.

5.1. STARTING AND STOPPING THE ENGINE (01, 08)

NOTE Observe the operating instructions for the lawnmower.

NOTE The engine has a fixed gas setting. Speed control is not possible.

STARTING THE ENGINE

CAUTION! Risk of injury! Danger of kickback: The starter cable can return faster to the engine than the cable can be released.

- Anticipate a sudden jolt when the starter cable has been pulled.

NOTE

- Use of the primer is not necessary for restarting an engine that has already run warm.
- Press the primer button (01/6) or (08/6) 3x, at intervals of approx. 2 seconds. At temperatures below 10°C, press the primer button 5x.
- Pull the starter cable (01/4) or (08/4) out briskly, and then allow it to wind back in slowly.

With the engine running:

- Keep your hands and feet away from any rotating parts.
- Keep flammable objects from the exhaust and the cylinder area.
- Allow the exhaust, cylinder and cooling vanes to cool down before contact. Switching off the motor
- Observe the operating instructions for the lawnmower.

6. REPAIR

WARNING! Risk of injury during repair work. Improper repairs can lead to serious injuries and damage to the appliance.

- Repair work may only be carried out by authorised personnel.
- Only original spare parts are allowed.

7. MAINTENANCE AND CARE

WARNING! Risk of injury. Inadvertent switching on of the engine can lead to serious injuries.

- Before setting, maintenance and repair work, always switch off the engine and secure against being switched on again.
- Regular maintenance is essential for safety and maintaining performance.
- Observe the maintenance schedule.
- For use under more demanding conditions, more frequent maintenance is required.

1. Before all maintenance and cleaning work: Remove spark plug connector (01/5) from the spark plug.
2. Perform the maintenance and cleaning work described in this section according to the maintenance schedule.
3. After maintenance and cleaning work: Reattach the spark plug connector(01/5) to the spark plug.

7.1 Tilting the engine (07, 14)

1. Tilt the engine so that the spark plug (07/1, 14/1) is facing upwards.

7.2. Cleaning the air filter (05, 12) TECH 124-140 (05)

- Clean the air filter regularly.

- Replace the air filter if damaged.

1. Remove the air filter cover (05/1) by pressing the locking tabs (05/2) and removing the air filter cover.
2. Remove the filter (05/3) and knock it out against a hard surface until the dirt has been removed. Do not brush out!
3. Reinstall the filter.
4. Fit the air filter cover again and close it, clipping in the locking tabs.

***ATTENTION:** The cover of the 124 engine opens horizontally

TECH 160 (12)

- Clean the air filter regularly.

- Replace the air filter if damaged.

1. Unscrew the two screws (12/1) of the air filter cover (12/2) and remove the air filter cover.
2. Remove the filter (12/3) and knock it out against a hard surface until the dirt has been removed. Do not brush out!
3. Reinstall the filter.
4. Fit the air filter cover again and secure it with the two screws.

7.3. CHANGING THE OIL (06, 13)

Check the oil level regularly. Check the oil level every 5 operating hours or every day before starting the engine.

WARNING! Danger of explosion and fire.

Escaping fuel creates an explosive petrol/air mixture. Deflagration, explosion and fire can lead to serious and even fatal injuries if fuel is not handled properly.

- Empty the fuel tank before draining the oil.

NOTE Contact our customer service if you cannot carry out work yourself.

NOTE

- Drain off the old oil when the engine is warm. Warm oil runs out quickly and fully.
- Dispose of used oil in an eco-friendly manner!

TECH 124-140 (06)

NOTE The oil capacity for the engine is max. 0.45 l.

1. Drain the fuel tank.
2. To remove the fuel from the carburettor: Start the engine outdoors and let it run until it stops.
3. Allow the engine to cool down.
4. Remove the spark plug connector (01/5).
5. Unscrew the oil dipstick (03/2).
6. Extract the oil using the pump (06/1) and drain it into the container (06/2).
7. Fill with new oil (SAE 15W-40, fill volume: 0.45 l) using a funnel Filling with engine oil (04).
8. Check that the level has reached the MAX (03/4) mark.
9. Insert the oil dipstick and screw tight.
10. Remove any spilled oil.

TECH 160 (13)

NOTE The oil capacity for the engine is max. 0.5 l.

1. Drain the fuel tank.
2. To remove the fuel from the carburettor: Start the engine outdoors and let it run until it stops.

3. Allow the engine to cool down.
4. Remove the spark plug connector (08/5).
5. Unscrew the oil dipstick (13/2).
6. Place a collecting container (13/3) for the old oil beneath.
7. Tilt the engine over the collecting container so that all of the oil can drain out of the oil filler opening (13/4).
8. Fill with new oil (SAE 15W-40, fill volume: 0.5 l)

FILLING WITH ENGINE OIL (04).

9. Check that the level has reached the MAX (10/3) mark.
10. Insert the oil dipstick and screw tight.
11. Remove any spilled oil.

7.4. SERVICING THE SPARK PLUG (02, 09)

Prescribed spark plug type: TORCH F6RTC

IMPORTANT! Danger of engine damage. Operating the engine with the incorrect spark plug or without a spark plug will result in serious engine damage!

- Always use the specified spark plug type.
- Never try to start the engine without a spark plug.

1. Unscrew the spark plug (02/1) or (09/1) using a socket wrench.
2. Clean the electrodes (02/2) or (09/2) using a metal brush and remove any soot deposits.

3. Check the correct electrode gap with a feeler gauge.

Note: The electrode gap of the spark plug should be 0.6 mm – 0.8 mm.

4. Reinsert the spark plug and tighten with a socket wrench.

IGNITION SPARK CONTROL

WARNING! Risk of injury from electric shock. Checking the ignition spark with the spark plug removed may result in serious injury from electric shock and fire.

- Never check the ignition spark function with the spark plug removed. Use an ignition spark tester instead.

7.5. CLEANING THE ENGINE

WARNING! Danger of explosion and fire. Foreign objects on the engine can cause the lawnmower to catch fire. Fire can lead to serious injuries.

- Remove combustible debris (e.g. grass, leaves, grease) from the engine, especially from the exhaust and cylinder area.
- Check and clean the exhaust and cylinder area regularly.

IMPORTANT! Danger from water. Penetrating water (ignition system, carburettor...) can lead to malfunctions.

- Do not spray the engine with water.
1. Allow the engine to cool before cleaning.
 2. Remove the contamination regularly from the engine with a cleaning cloth or brush.
 3. Blow-off all waste and dirt residues from the silencer and its cover using compressed air.
 4. Clean the cooling system:
 - Remove obstructions from cooling air openings.
 - In order to prevent overheating, also clean the

internal cooling vanes and surfaces.

5. Wipe plastic parts with a damp sponge and detergent.

7.6. CARBURETTOR SETTINGS

NOTE The carburettor must only be adjusted by an authorised service workshop.

7.7. MAINTENANCE SCHEDULE

The following jobs are allowed to be carried out by the user independently. All other maintenance, service and repair work must be carried out in an authorised service workshop. In addition, please also comply with the recommended annual lubrication tasks as indicated in the lubrication plan.

NOTE Shorter maintenance intervals than those stated in the table below may be necessary in case of severe loading and high temperatures.

8. HELP IN CASE OF MALFUNCTION

CAUTION! Risk of injury. Sharp-edged and moving appliance parts can lead to injury.

- Always wear protective gloves during maintenance, care and cleaning work.

NOTE For malfunctions that are not listed in this table or that you cannot resolve yourself, please contact our customer service.

9. TRANSPORT

- Transport the engine only when the fuel tank is empty.
- Always transport the engine horizontally, otherwise the following will occur:

- Leaking fuel and oil
- Generation of smoke
- Starting difficulties
- Soot on spark plug

10. STORAGE

NOTE Observe the operating instructions for the lawnmower.

WARNING! Danger of explosion and fire. Petrol and oil are highly flammable. Fire can lead to serious injuries.

- Do not store the appliance close to naked flames or sources of heat.
- Do not store the appliance in a room in which electric tools are operated. If the lawnmower is not used for a long time (longer than 2 to 3 months), the fuel must be drained off to avoid deposits in the fuel system. With a shorter idle period, the fuel can be protected with a fuel stabiliser.

NOTE For further information: Ask your customer service.

1. Drain the fuel tank.
2. To remove the fuel from the carburettor: Start the engine outdoors and let it run until it stops.
3. Allow the engine to cool down.
4. Clean the engine.
5. Storing the engine:
 - Store the engine in a well ventilated location, and not in the vicinity of naked flames or sources of heat.
 - Do not store the engine where electric motors or power tools are operated.
 - Store protected from moisture.

ENVIRONMENTAL PROTECTION

Recycle raw materials instead of disposing as waste. Machine, accessories and packaging should be sorted for environment - friendly recycling. The plastic components are labeled for categorized recycling.

WARRANTY

This product is warranted in accordance with the legal/country specific regulations, effective from the date of purchase by the first user. Damage attributable to normal wear and tear, overload or improper handling will be excluded from the guarantee. In case of a claim, please send the machine, completely assembled, to your dealer or the service center for electric power tools.

		REGULAR SERVICE PERIOD					
ITEM Perform at every indicated month or operating hour interval, whichever comes first.		Before each use	First Month or 5 Hours	Every 3 Months or 25 Hours	Every 6 Months or 50 Hours	Every Year or 100 Hours	Every Two Years or 250 Hours
Engine Oil	Check	○					
	Replace		○		○		
Air Cleaner	Check	○					
	Replace			○			
Spark Plug	Check-adjust					○	
	Replace						○
Fuel Tank & Filter	Clean					○	
Fuel Tube	Check	Every 2 years (Replace if necessary)					
Blade	Check	○					
	Replace					○*	

*Blade should be replaced if any damage is noticed.

FAST TROUBLE SHOOTING

Problem	Likely cause	Suggested remedy
Engine does not start	Out, or almost out, of fuel	Fill tank with unleaded petrol
	Spark plug depleted	Replace with a suitable new spark plug
	Spark plug dirty	Clean or replace with a new spark plug
	Spark plug not connected	Press firmly on the terminal cover
	Flooded engine	Turn fuel "off" then pull starter rope until the mower starts, then turn the fuel on
	Old petrol in the tank	Drain stale fuel and replace with new unleaded
	Water in the fuel tank	Contact an authorised dealer
Engine stops often	Blocked fuel supply	Ensure the fuel line is not pinched or blocked
	Fuel cap is not venting	You may need to slightly loosen the fuel cap
	Wrong type of fuel	Drain petrol tank and fill with new unleaded
Engine loses power	Dirty air cleaner filter	Clean or replace with a new air-filter
	Incorrect height adjustment	Raise the mower's cutting height lever
	Blocked fuel cap vent holes	Ensure the 3 holes in the fuel tank cap are clear
Mower vibrates too much	Loose cutting blade	Check and tighten bolts and nuts
	Bent or broken blades	Replace blades
	Excessive grass/dirt build-up	Clean and ensure underside clear of build up
	Disc or blades worn/damaged	Replace blades

TECHNICAL SPECIFICATIONS

Article Number	45 681	45 682	45 697	45 698
Model	GLM 40/124 P EASY	GLM 42/124 SP EASY	GLM 46/140 SP PLUS	GLM 51/160 SP PLUS
Cutting width	400mm	420mm	460mm	510mm
Engine model	DK1P62FE/P	DK1P62FE/P	SL140	SL160A
Engine displacement	124.4 cm ³	124.4 cm ³	140 cm ³	160 cm ³
Engine rating power	2,4hp	2,4hp	2,7hp	3,1hp
Drive system	Hand push	Self-propelled	Self-propelled	Self-propelled
Volumes of fuel tank	0,85 L	0,85 L	0,9 L	1,2 L
Volumes of lubricating oil tank	0,4 L	0,4 L	0,45 L	0.5 L
Rated speed	2850 min ⁻¹	2850 min ⁻¹	2900 min ⁻¹	2900 min ⁻¹
Grass bag capacity	50L	50L	70 L	70 L
Adjustable cutting height	20 - 68 mm / 7 stages	25 - 85 mm / 7 stages	25 - 70 mm / 7 stages	25 - 70 mm / 7 stages
Mulching plug	/	/	Yes	Yes
Side discharge	/	/	/	Yes

FRANÇAIS

1. À PROPOS DE CETTE NOTICE

La version originale du manuel est la version allemande. Toute autre version linguistique est une traduction du manuel original.

- Conservez toujours cette notice de manière à pouvoir la consulter lorsque vous avez besoin d'informations sur le produit.
- Remettez le produit uniquement accompagné de cette notice à un tiers.
- Lisez et respectez les consignes de sécurité et les avertissements de la présente notice.
- Observez également la notice ci-jointe de l'appareil

1.1. EXPLICATIONS DES SYMBOLES ET DES MENTIONS

DANGER! Indique une situation de danger immédiat qui, si elle n'est pas évitée, entraîne la mort, ou des blessures graves.

WARNING! Indique une situation de danger potentiel qui, si elle n'est pas évitée, peut entraîner la mort, ou des blessures graves.

ATTENTION! Indique une situation de danger potentiel qui, si elle n'est pas évitée, peut entraîner des blessures légères à moyennes.

ATTENTION! Indique une situation qui, si elle n'est pas évitée, peut entraîner des dégâts matériels.

REMARQUE Instructions spéciales pour une meilleure compréhension et maniabilité.

2. DESCRIPTION DU PRODUIT

La présente documentation décrit deux variantes d'un moteur à combustion, appelées ci-après « moteur ». Tenez compte des instructions correspondant à votre appareil.

- Tech 124-140
- Tech 160

Toujours tenir compte également de la notice d'utilisation de la tondeuse sur laquelle le moteur correspondant a été monté !

2.1. UTILISATION CONFORME

Le moteur est conçu pour tracter les tondeuses pour une utilisation privée. En raison de ses gaz d'échappement, son utilisation est uniquement autorisée à l'air libre et interdite à l'intérieur. Toute autre utilisation dépassant ce cadre est considérée comme non conforme. Le présent moteur est exclusivement destiné à une utilisation privée. Toute autre utilisation ainsi que toute forme de modification non autorisée est considérée comme un détournement de l'objet initial, avec pour conséquences la perte de garantie et de la conformité (marquage CE) ainsi que le refus de toute part de responsabilité du constructeur en cas de dommages causés à l'utilisateur ou à un tiers.

2.2 IDENTIFICATION (01, 08)

N°	PIÈCE
1	Couvercle (avec jauge) pour l'orifice de remplissage d'huile
2	Couvercle de filtre à air
3	Couvercle du réservoir de carburant
4	Poignée du starter
5	Cosse de bougie
6	Bouton d'amorceur

3. CONSIGNES DE SÉCURITÉ

DANGER de mort et de blessures très graves ! La non-connaissance des consignes de sécurité et des instructions d'utilisation peut entraîner de très graves blessures, voire la mort.

- Avant d'utiliser l'appareil, tenez compte de toutes les consignes de sécurité et des instructions d'utilisation de ce manuel d'utilisation ainsi que des manuels d'utilisation mentionnés.
- Conservez tous les documents fournis en vue d'une utilisation ultérieure.

• Danger de mort par intoxication Les fumées dégagées par le moteur

contiennent du monoxyde de carbone qui peut tuer une personne en quelques minutes. Voici les éléments qu'il vous faut noter avant ou pendant l'utilisation :

- Ne faites jamais tourner le moteur dans des locaux fermés, mais toujours à l'air libre.
- N'inhalez pas les gaz d'échappement du moteur.
- Éteignez le moteur si lors de l'utilisation de l'appareil, vous vous sentez mal, ressentez des vertiges ou des signes de faiblesse.
- N'utiliser le moteur qu'en parfait état technique.
- Ne pas mettre hors service les dispositifs de sécurité et de protection.
- Porter un casque de protection acoustique.
- Lire attentivement et respecter les instructions de la présente notice d'utilisation et de celle de la tondeuse sur laquelle ce moteur est monté. Apprenez à arrêter le moteur rapidement.
- Ne pas utiliser de pulvérisateur pour démarreur ou similaire

3.1 OPÉRATEURS

- Les jeunes de moins de 16 ans ou les personnes qui ne connaissent pas la notice d'utilisation ne doivent pas utiliser le moteur. Respecter l'éventuelle réglementation de sécurité nationale sur l'âge minimum de l'opérateur.
- Le moteur ne doit pas être mis en service sous l'emprise de l'alcool, de drogues ou de médicaments.

3.2 SÉCURITÉ DES PERSONNES, DES ANIMAUX ET DES OBJETS

- N'utiliser le moteur que de manière conforme. Une utilisation non conforme peut entraîner des blessures et provoquer des dégâts matériels.

- La responsabilité de l'utilisateur est engagée en cas d'accidents avec d'autres personnes ou de dégâts liés à leurs biens.
- Tenez toute tierce personne à l'écart de la zone à risques.
- N'allumez le moteur que lorsque personne ni aucun animal ne se trouve dans la zone de travail.
- Respectez une distance de sécurité avec les personnes et les animaux, et coupez le moteur lorsque des personnes ou des animaux s'approchent.
- Ne dirigez jamais le flux de gaz d'échappement du moteur en direction de personnes ou d'animaux ni en direction de produits et objets inflammables.
- Ne passez jamais la main dans la grille d'aspiration et d'aération lorsque le moteur tourne. Les pièces mécaniques rotatives peuvent provoquer des blessures.
- Coupez toujours le moteur lorsque vous n'en avez pas besoin, p. ex. quand vous changez de zone de travail, pour les travaux de maintenance et d'entretien, quand vous faites le plein du mélange essence/huile.
- Ne pas utiliser le moteur dans des environnements mal aérés (par ex. garage). Les gaz d'échappement contiennent du monoxyde de carbone nocif et d'autres polluants.
- En cas d'accident, coupez immédiatement le moteur pour éviter toutes blessures et autres dommages matériels.
- N'utilisez pas le moteur avec des pièces usées ou défectueuses. Les pièces usées ou défectueuses peuvent entraîner de graves blessures.
- Utilisez exclusivement des pièces de rechange et des accessoires d'origine.
- Conservez le moteur hors de la portée des enfants.
- Indiquez aux enfants et aux adolescents qu'il ne faut pas jouer avec le moteur.

3.3 MANIPULATION DE L'ESSENCE ET DE L'HUILE

- Risque d'explosion et d'incendie : Les émissions du mélange essence/air FR 44 Tech 140 | Tech 160 Mise en service créent une atmosphère explosive. Une déflagration, une explosion ou un incendie peuvent provoquer de graves blessures, voire la mort, en cas de manipulation incorrecte du carburant. Tenez compte des points suivants :
- Ne pas fumer quand vous manipulez de l'essence.
- Manipuler l'essence en extérieur uniquement, jamais dans des locaux fermés.
- Respecter impérativement les règles de comportement citées plus bas.
- Transportez et stockez l'essence et l'huile exclusivement dans des conteneurs prévus à cet effet. Veillez à ce qu'aucun enfant n'ait accès à l'essence et à l'huile stockées.
- Pour éviter toute contamination du sol (protection de l'environnement), veillez à ce que l'essence et l'huile ne pénètrent pas dans la terre quand vous faites le plein. Pour faire le plein, utilisez un entonnoir.
- Ne remplissez jamais le réservoir de l'appareil dans une pièce fermée. Des vapeurs d'essence peuvent s'accumuler sur le sol et provoquer une

déflagration ou même une explosion.

- Essuyez immédiatement les déversements d'essence sur l'appareil et au sol. Laissez sécher les tissus utilisés pour essuyer l'essence dans un endroit bien ventilé avant de le jeter. Sinon, il y a risque de combustion spontanée.
- Si vous renversez de l'essence, des vapeurs d'essence se forment. Pour cette raison, ne démarrez pas le moteur au même endroit, mais à au moins 3 m de distance.
- Évitez tout contact de la peau avec des produits pétroliers. Ne respirez pas les vapeurs d'essence. Portez toujours des gants de protection quand vous faites le plein. Changez et nettoyez régulièrement vos vêtements de protection.
- Veillez à ce que vos vêtements n'entrent pas en contact avec l'essence. Si vos vêtements sont tachés d'essence, changez-vous immédiatement.
- Ne remplissez jamais l'appareil quand le moteur tourne ou qu'il est chaud.

4. MISE EN SERVICE

REMARQUE Avant la mise en service :

- Toujours réaliser un contrôle visuel. Le moteur ne doit pas être utilisé si des éléments de fixation ou d'utilisation sont desserrés, endommagés ou usés.
- Faire impérativement l'appoint d'huile moteur.

4.1 CONTRÔLER L'ÉTAT GÉNÉRAL DU MOTEUR

1. Sur le moteur, contrôler :

- L'absence de fuite d'huile ou d'essence à l'extérieur ou sous le moteur
- L'absence d'encrassement excessif ou de corps étrangers
- L'absence de signes d'endommagement
- Le serrage correct de toutes les vis et de tous les écrous
- Le serrage correct et la présence de toutes les protections et caches
- L'endommagement et l'encrassement du filtre à air
- Le niveau de carburant
- Le niveau d'huile moteur

2. Éliminer les vices constatés avant la mise en service.

4.2 FAIRE L'APPOINT EN CARBURANT ET FLUIDES.

AVERTISSEMENT! Risque d'incendie et d'explosion.

- L'essence et l'huile sont hautement inflammables. Un incendie peut causer des blessures graves.
- Ne faire l'appoint d'essence et d'huile qu'à l'air libre et pas à proximité de flammes nues ou de sources de chaleur.
- Remplacer immédiatement le réservoir ou le bouchon de réservoir endommagé.
- Toujours bien fermer le bouchon de réservoir.
- Lorsque de l'essence s'est répandue :
 - Ne pas mettre le moteur en marche.
 - Éviter les essais d'allumage.
 - Nettoyer la tondeuse et le moteur.
- Du carburant renversé peut endommager les pièces en plastique : Essuyez immédiatement le carburant. La garantie ne couvre pas les dommages

causés par le carburant sur des pièces en plastique.

4.2.1. CONTRÔLER LE NIVEAU D'HUILE (03, 10)

ATTENTION! Risque de dommages sur le moteur. Un niveau d'huile insuffisant risque d'endommager le moteur.

- Contrôler régulièrement le niveau d'huile.
- Si le niveau d'huile est trop bas, faites l'appoint.

TECH 124-140 (03)

1. Couper le moteur et le laisser refroidir.

Remarque: Le moteur doit être à l'horizontale.

2. Retirer les corps étrangers de la zone de remplissage d'huile.
3. Dévisser la jauge d'huile (03/1) de l'orifice de remplissage d'huile (03/2) et l'essuyer pour la nettoyer.
4. Introduire la jauge d'huile (03/1) dans l'orifice de remplissage d'huile (03/2), jusqu'à ce qu'elle prenne appui (sans visser) puis la retirer à nouveau.
5. Vérifier si le niveau d'huile se trouve entre les repères MIN (03/3) et MAX (03/4).
6. Si le niveau d'huile se situe à proximité ou au-dessous du repère MIN (03/3) : Remplir d'huile (voir chapitre 4.2.2 "Faire le plein d'huile de moteur (04, 11)").
7. Introduire la jauge d'huile et la visser.
8. Le cas échéant, ôter l'huile répandue.

TECH 160 (10)

1. Couper le moteur et le laisser refroidir.

Remarque: Le moteur doit être à l'horizontale.

2. Retirer les corps étrangers de la zone de remplissage d'huile.
3. Dévisser la jauge d'huile (10/1) de l'orifice de remplissage d'huile (10/2) et l'essuyer pour la nettoyer.
4. Introduire la jauge d'huile (10/1) dans l'orifice de remplissage d'huile (10/2), jusqu'à ce qu'elle prenne appui (sans visser) puis la retirer à nouveau.
5. Vérifier si le niveau d'huile se trouve entre les repères MIN (10/3) et MAX (10/4).
6. Si le niveau d'huile se situe à proximité ou au-dessous du repère MIN (10/3) : Remplir d'huile (voir chapitre 4.2.2 "Faire le plein d'huile de moteur (04, 11)").
7. Introduire la jauge d'huile et la visser.
8. Le cas échéant, ôter l'huile répandue.

4.2.2. Faire le plein d'huile de moteur (04, 11)

Recommandations sur l'huile

performance et la longévité du moteur.

- Utilisez une huile de moteur détergente qui répond aux exigences des classe de service API SF ou présente des caractéristiques supérieures (ou équivalentes).
- Vérifiez l'étiquette de service API sur le bidon d'huile pour être sûr qu'elle est de qualité SF ou d'une classe supérieure (ou équivalente).
- Pour l'utilisation générale, on recommande SAE 15W-40. La plage de températures de service recommandée pour cette huile est de 5 °C à 38 °C.

ATTENTION! Risque de dommages sur le

moteur. L'utilisation d'huile SAE 15W-40 (huile d'été monograde) en présence de températures inférieures à +5 °C risque d'entraîner un endommagement du moteur lié à une lubrification insuffisante. Utilisez SAE 10W-30 pour la plage de températures de 0 °C à 40 °C.

- L'utilisation d'huiles multigrades risque d'entraîner une consommation accrue avec des températures élevées. Contrôlez donc le niveau d'huile plus souvent.
- Ne mélangez pas d'huiles de plusieurs sortes et ayant des caractéristiques différentes.

Faire l'appoint d'huile

REMARQUE Ne pas remplir d'huile au-dessus

du niveau MAX. Un excès d'huile entraîne:

- De la fumée dans les gaz d'échappement
- Un encrassement de la bougie d'allumage ou du filtre à air

TECH 124-140 (04)

REMARQUE La contenance d'huile du moteur est de 0,45 l au maximum.

1. Remplir un récipient approprié d'huile moteur.
2. Retirer la jauge d'huile (04/1) de l'orifice de remplissage d'huile (04/2).
3. Verser lentement par petites quantités dans l'orifice de remplissage d'huile. Utiliser un entonnoir, lors de l'opération.
4. Introduire la jauge d'huile et la verrouiller.
5. Le cas échéant, ôter l'huile répandue.

TECH 160 (11)

REMARQUE La contenance d'huile du moteur est de 0,5 l au maximum.

1. Remplir un récipient approprié d'huile moteur.
2. Retirer la jauge d'huile (11/1) de l'orifice de remplissage d'huile (11/2).
3. Verser lentement par petites quantités dans l'orifice de remplissage d'huile.
4. Introduire la jauge d'huile et la visser.
5. Le cas échéant, ôter l'huile répandue.

4.2.3. FAIRE LE PLEIN D'ESSENCE (01, 08)

- Utiliser de l'essence propre, fraîche, sans plomb d'un indice d'octane minimal de 90.
- Acheter le carburant en quantités consommables sous 30 jours.
- L'essence ayant une teneur en éthanol de 10 % maxi. est acceptable.
- Ne pas mélanger l'essence à l'huile.
- Démarrer et faire tourner le moteur uniquement à l'air libre.

Faire le plein d'essence

1. Retirer le couvercle du réservoir (01/3) ou (08/3).
2. Remplir le réservoir jusqu'au bord inférieur de la tubulure de remplissage. Ne pas trop remplir !
3. Revisser à fond le couvercle de réservoir (01/3) ou (08/3).

5. UTILISATION DU MOTEUR

Pour de plus amples informations, voir la notice d'utilisation de la tondeuse.

Danger de mort par intoxication. Les fumées dégagées par le moteur contiennent du monoxyde de carbone qui peut tuer une personne en quelques

minutes.

- Démarrez et faites tourner le moteur uniquement en plein-air.
- Ne faites jamais tourner le moteur dans des locaux fermés, même lorsque les portes et fenêtres sont ouvertes.
- N'inhalez pas les gaz d'échappement du moteur.
- Éteignez le moteur si lors du fonctionnement, vous vous sentez mal, ressentez des vertiges ou des signes de faiblesse. Consultez immédiatement un médecin.

AVERTISSEMENT! Risque d'incendie et d'explosion. L'essence et l'huile sont hautement inflammables. Un incendie peut causer des blessures graves.

- N'utilisez pas de pulvérisateur pour démarreur ou similaire.

AVERTISSEMENT! Risque de brûlures. Les moteur en cours de fonctionnement deviennent brûlants.

- Ne touchez jamais des pièces du moteur en cours de fonctionnement, notamment le pot d'échappement.
- Laissez refroidir le pot d'échappement, les cylindres et les ailettes de refroidissement avant de les toucher.

AVERTISSEMENT! Risque dû à des pièces en mouvement ! Passer la main dans des pièces de l'appareil en mouvement entraîne des blessures graves !

- Ne jamais passer la main dans des pièces de l'appareil en mouvement !
- Avant de mettre le moteur en marche, tenir compte du mode d'emploi de l'appareil.
- Démarrer et faire tourner le moteur uniquement à l'air libre.
- Ne pas utiliser le moteur en position inclinée supérieure à 15° d'inclinaison.
- Ne démarrer le moteur qu'en position horizontale.
- Ne pas basculer la machine sur le côté jusqu'à ce que du carburant s'échappe du bouchon de réservoir.
- Contrôler le niveau d'huile.
- Attacher les cheveux longs et retirer les bijoux.
- Ne pas porter de vêtements amples.
- Porter des chaussures résistantes et à semelle antidérapante.
- Ne pas modifier le réglage de base du moteur ni trop monter en régime.
- Respecter la distance de sécurité au démarrage.
- Couper le moteur et laisser refroidir avant de retirer le bouchon de réservoir.
- Couper le moteur, laisser refroidir et débrancher le câble d'allumage avant de contrôler, de nettoyer ou de réaliser des travaux sur la machine ou le moteur.
- Avant de toucher les ailettes du cylindre et le revêtement protecteur, attendre que le moteur ait refroidi suffisamment.
- Ne pas faire tourner le moteur sans bougie d'allumage.

5.1. DÉMARRER ET ARRÊTER LE MOTEUR (01, 08)

REMARQUE Respectez la notice d'utilisation de la tondeuse !

REMARQUE Le moteur est équipé d'un réglage fixe

des gaz. Il est impossible de modifier le régime.

Démarrage du moteur

ATTENTION! Risque de blessures !

Risque de rebond : Le cordon du démarreur peut rebondir plus vite vers le moteur qu'il ne peut être lâché.

- Attendez-vous à une saccade soudaine lorsque vous avez tiré sur le cordon du démarreur.

REMARQUE

L'utilisation de l'amorceur n'est pas nécessaire au redémarrage d'un moteur chaud.

- Appuyer 3x sur le bouton d'amorceur (01/6) ou (08/6), à un intervalle d'environ 2 secondes. En cas de températures inférieures à 10 °C, appuyer 5x sur le bouton d'amorceur.
- Tirer rapidement sur le cordon du démarreur (01/4) ou (08/4), puis le laisser s'enrouler à nouveau lentement.

Lorsque le moteur tourne :

- Ne pas approcher les mains et les pieds des parties en rotation.
- Tenir les corps étrangers inflammables éloignés du pot d'échappement et de la zone des cylindres.
- Laisser le pot d'échappement, les cylindres et les ailettes de refroidissement refroidir avant de les toucher. Arrêter le moteur
- Respectez la notice d'utilisation de la tondeuse.

6. RÉPARATION

AVERTISSEMENT! lors de réparations. Des réparations inappropriées risquent d'entraîner des blessures graves et endommager l'appareil.

- Les travaux de réparation ne doivent être entrepris que par des services spécialisés autorisés.
- Il est uniquement autorisé d'utiliser des pièces de rechange originales.

7. MAINTENANCE ET ENTRETIEN

AVERTISSEMENT! Risque de blessures. La mise en marche intempestive du moteur peut entraîner de graves blessures.

- Toujours éteindre et protéger le moteur contre une remise en marche intempestive avant d'effectuer des travaux de réglage, de maintenance et de réparation.
- Une maintenance régulière est indispensable pour la sécurité et le maintien des performances.
- Respecter le plan de maintenance.
- Dans le cas d'une utilisation en conditions difficiles, la maintenance doit être plus fréquente.

1. Avant tous les travaux de maintenance et de nettoyage : Débrancher la cosse de bougie d'allumage (01/5) de la bougie d'allumage.

2. Effectuer les travaux de maintenance et de nettoyage décrits dans ce paragraphe conformément au plan de maintenance.

3. Après tous les travaux de maintenance et de nettoyage : Rebrancher la cosse de bougie d'allumage (01/5) de la bougie d'allumage.

7.1 INCLINER LE MOTEUR (07, 14)

1. Incliner le moteur afin que la bougie d'allumage (07/1, 14/1) soit orientée vers le haut.

7.2. NETTOYER LE FILTRE À AIR (05, 12) TECH 124-140 (05)

- Nettoyer régulièrement le filtre à air.
 - Remplacer le filtre à air endommagé.
1. Ôter le couvercle du filtre à air (05/1), pour y parvenir, enfoncer les pattes de fermeture (05/2) et retirer le couvercle du filtre à air.
 2. Retirer le filtre (05/3) et le tapoter sur un support dur pour en éliminer toute saleté. Ne pas brosser !
 3. Remonter le filtre.
 4. Remettre le couvercle du filtre en place et le fermer en clipsant les pattes de fermeture
- *Attention:** la couverture du moteur 124 s'ouvre horizontalement

TECH 160 (12)

- Nettoyer régulièrement le filtre à air.
 - Remplacer le filtre à air endommagé.
1. Dévisser les deux vis (12/1) du couvercle du filtre (12/2) et l'enlever.
 2. Retirer le filtre (12/3) et le tapoter sur un support dur pour en éliminer toute saleté. Ne pas brosser !
 3. Remonter le filtre.
 4. Remettre le couvercle du filtre en place et le visser à bloc à l'aide de deux vis.

7.3. VIDANGE D'HUILE (06, 13)

Contrôler régulièrement le niveau d'huile. Vérifier le niveau d'huile toutes les 5 heures de service ou tous les jours avant de démarrer le moteur.

AVERTISSEMENT! Risque d'incendie et d'explosion. Du carburant qui déborde est à l'origine d'un mélange essence-air explosif. Une déflagration, une explosion ou un incendie peuvent provoquer de graves blessures, voire la mort, en cas de manipulation incorrecte du carburant.

- Videz le réservoir de carburant avant de vidanger l'huile.

REMARQUE Contactez notre service après-vente si vous n'êtes pas à même de réaliser certains travaux.

REMARQUE

- Vidanger l'huile usagée lorsque le moteur est chaud. L'huile chaude s'écoule plus rapidement et entièrement.
- Éliminer l'huile usagée dans le respect de l'environnement !

TECH 124-140 (06)

REMARQUE La contenance d'huile du moteur est de 0,45 l au maximum.

1. Vider le réservoir à carburant.
2. Pour éliminer le carburant du carburateur : démarrer le moteur dehors et le laisser tourner jusqu'à ce qu'il s'éteigne. 3. Laisser le moteur refroidir.
4. Débrancher la cosse de bougie d'allumage (01/5).
5. Dévisser la jauge d'huile (03/2).
6. Aspirer l'huile avec la pompe (06/1) et la verser dans le réservoir (06/2).
7. Remplir d'huile fraîche (SAE 15W-40, contenance : 0,45 l) à l'aide d'un entonnoir (Faire le plein d'huile moteur (04).
8. Vérifier si le niveau de remplissage a atteint le repère MAX (03/4).
9. Introduire la jauge d'huile et la visser à bloc.

10. Le cas échéant, ôter l'huile répandue.

TECH 160 (13)

REMARQUE La contenance d'huile du moteur est de 0,5 l au maximum.

1. Vider le réservoir à carburant.
2. Pour éliminer le carburant du carburateur : démarrer le moteur dehors et le laisser tourner jusqu'à ce qu'il s'éteigne.
3. Laisser le moteur refroidir.
4. Débrancher la cosse de bougie d'allumage (08/5).
5. Dévisser la jauge d'huile (13/2).
6. Placer un bac (13/3) collecteur d'huile usagée en dessous.
7. Basculer le moteur sur le bac collecteur, afin que l'huile puisse s'écouler complètement par l'orifice de remplissage d'huile (13/4).
8. Remplir d'huile fraîche (SAE 15W-40, contenance : 0,5 l) (Faire le plein d'huile moteur (04).
9. Vérifier si le niveau de remplissage a atteint le repère MAX (10/3).
10. Introduire la jauge d'huile et la visser à bloc.
11. Le cas échéant, ôter l'huile répandue.
9. Vérifier si le niveau de remplissage a atteint le repère MAX (10/3).
10. Introduire la jauge d'huile et la visser à bloc.
11. Le cas échéant, ôter l'huile répandue.

7.4. MAINTENANCE DE LA BOUGIE D'ALLUMAGE (02, 09)

Type de bougie d'allumage prescrit :
TORCH F6RTC

ATTENTION! Risque de dommages sur le moteur. Un fonctionnement du moteur avec une bougie d'allumage incorrecte ou sans bougie d'allumage entraîne des endommagements moteur importants !

- Utilisez toujours le type de bougies d'allumage prescrit.
- N'essayez jamais de démarrer le moteur sans bougie d'allumage.

1. Dévisser la bougie d'allumage (02/1) ou (09/1) à l'aide d'une clé à pipe.
2. Nettoyer les électrodes (02/2) ou (09/2) avec une brosse métallique et éliminer d'éventuels dépôts de suie.
3. À l'aide d'un calibre de sonde, vérifier l'espacement correct entre les électrodes.

REMARQUE: L'écartement des électrodes de la bougie doit être de 0,6 mm – 0,8 mm.

4. Revisser la bougie d'allumage et serrer à l'aide d'une clé à pipe.

Contrôle des étincelles d'allumage

AVERTISSEMENT! Risque de blessure en cas de choc électrique. Le contrôle de l'étincelle d'allumage en présence d'une bougie démontée risque d'entraîner des blessures graves liées à un choc électrique et au feu.

- Ne contrôlez jamais l'étincelle d'allumage lorsque la bougie d'allumage est démontée. Utilisez un testeur de bougie d'allumage au lieu de cela.

7.5. NETTOYER LE MOTEUR

AVERTISSEMENT! Risque d'incendie et d'explosion. Des corps étrangers sur le moteur

peuvent mettre le feu à la tondeuse. Un incendie peut causer des blessures graves.

- Enlevez les impuretés inflammables (telles que l'herbe, les feuilles, la graisse) du moteur, notamment du pot d'échappement et hors de la zone du cylindre.
- Contrôlez et nettoyez régulièrement le pot d'échappement et la zone du cylindre.

ATTENTION! Danger dû à l'eau. La pénétration d'eau (système d'allumage, carburateur...) peut provoquer des pannes.

- Ne projetez pas d'eau sur le moteur.
- 1. Laisser refroidir le moteur avant de nettoyer.
- 2. Ôter régulièrement les saletés du moteur à l'aide d'un chiffon ou d'une brosse.
- 3. Enlever tous les résidus de déchets et de saletés du silencieux et de son cache à l'air comprimé.
- 4. Nettoyer le système de refroidissement :
- Enlever les bourrages des ouvertures d'amenée d'air frais.
- Pour éviter toute surchauffe, nettoyer éventuellement les ailettes de refroidissement et les surfaces à l'intérieur.
- 5. Essuyer les pièces plastiques à l'aide d'une éponge humide et de détergent.

7.6. RÉGLAGES DU CARBURATEUR

REMARQUE Le réglage du carburateur doit être effectué exclusivement par un atelier de réparation habilité.

7.7. PROGRAMME DE MAINTENANCE

Les travaux suivants peuvent être réalisés soi-même par l'utilisateur. Tous les autres travaux d'entretien, de service et de réparations doivent être effectués dans un atelier de service homologué. Veuillez également respecter les graissages annuels recommandés conformément au plan de graissage.

REMARQUE En cas de forte sollicitation et à des températures élevées, des entretiens plus fréquents que ceux indiqués dans le tableau cidessus peuvent s'avérer nécessaires.

8. AIDE EN CAS DE PANNES

ATTENTION ! Risque de blessures. Les parties de l'appareil à arêtes vives et mobiles peuvent provoquer des blessures.

- Pour les travaux de maintenance, d'entretien de nettoyage, portez toujours des gants de protection.

REMARQUE En cas de pannes ne figurant pas dans ce tableau ou ne pouvant pas être éliminées, contacter notre service après-vente compétent.

9. TRANSPORT

- Ne transporter le moteur que lorsque le réservoir de carburant est vide.
- Toujours transporter le moteur à l'horizontale, sinon cela entraîne :
 - un écoulement de carburant et d'huile
 - une émission de fumée
 - un démarrage difficile
 - un encrassement de la bougie d'allumage

10. STOCKAGE

REMARQUE Respectez la notice d'utilisation de la tondeuse ! Caractéristiques techniques

AVERTISSEMENT ! Risque d'incendie et d'explosion. L'essence et l'huile sont hautement inflammables. Un incendie peut causer des blessures graves.

- Ne stockez pas l'appareil près de flammes nues ou de sources de chaleur.
- Ne stockez pas l'appareil dans un local dans lequel sont exploités des outils électriques. En cas d'immobilisation prolongée de la tondeuse (plus de 2 à 3 mois), il faut vidanger le carburant afin d'éviter les dépôts dans le circuit de carburant. En cas d'immobilisation plus courte, le carburant peut être protégé à l'aide d'un stabilisateur à carburant.

REMARQUE Pour des informations supplémentaires: demandez conseil à votre service après-vente.

1. Vider le réservoir à carburant.
2. Pour éliminer le carburant du carburateur : démarer le moteur dehors et le laisser tourner jusqu'à ce qu'il s'éteigne.
3. Laisser le moteur refroidir.
4. Nettoyer le moteur.
5. Ranger le moteur :
 - Ranger le moteur dans un local bien aéré et à l'écart des flammes nues ou des sources de chaleur.
 - Ne pas le ranger là où des moteurs électriques ou un outillage électrique sont utilisés.
 - Le ranger à l'abri de l'humidité.

PROTECTION ENVIRONNEMENTALE

Recycler les matières premières au lieu de les éliminer comme des déchets. L'outil, les accessoires et les emballages doivent être triés afin d'assurer un recyclage respectueux de l'environnement. Les composants en plastique sont étiquetés afin d'assurer un recyclage adéquate

GARANTIE

Le produit est garanti conformément aux réglementations légales / nationales, à compter de la date d'achat par le premier utilisateur. Tout dommage attribuable à une usure normale, à une surcharge ou à une utilisation incorrecte de l'outil sera exclu de la garantie. En cas de réclamation, envoyer l'outil, intégralement assemblé, à votre revendeur ou à un Centre de réparation des outils électriques.

PÉRIODE DE CONCENTRATION DE SERVICE

Type		Avant chaque utilisation	Premier mois Ou 5 heures	Tous les 3 mois Ou 25 heures	Tous les 6 mois Ou 50 heures	Chaque année Ou 100 heures	Tous les 2 ans Ou 250 heures
Huile de moteur	Vérifier	O					
	Remplacement		O		O		
Filtre à air	Vérifier	O					
	Remplacement			O			
Bougie	Réglage de contrôle					O	
	Remplacement						O
Réservoir de carburant et filtre	Nettoyage					O	
Tuyau de carburant	Vérifier	Tous les 2 ans (remplacement si nécessaire)					
Lame	Vérifier	O					
	Remplacement					O*	

* La lame doit être remplacée si des dommages sont observés

TIR RAPIDE DE PROBLEME

Problème	Cause probable	Solution recommandée
Le moteur n'est pas activé	Le levier de la manette des gaz n'est pas réglé correctement	Régler l'option Cold Start à froid ou légèrement plus bas lorsqu'il fait chaud
	Sans ou presque sans carburant	Remplir le réservoir de carburant avec de l'essence sans plomb
	Bougie d'allumage épuisée	Remplacer par une nouvelle bougie d'allumage compatible
	Bougie d'allumage sale	Nettoyer ou remplacer par une nouvelle bougie d'allumage
	Bougie d'allumage déconnectée	Appuyez légèrement sur le couvercle du terminal
	Machine inondée	Éteindre le carburant en "off", puis tirer la corde de départ jusqu'à ce que la tondeuse commence, puis allumer le carburant
	Vieille essence dans le conteneur	Égoutter le carburant plus ancien et remplacer par de nouveaux sans plomb
	L'eau dans le réservoir de carburant	Contactez un service autorisé
Le moteur s'arrête fréquemment	L'approvisionnement en carburant bloqué	S'assurer que le tuyau de carburant n'est pas perforé ou bloqué
	Le réservoir de carburant ne s'évacue pas	Peut-être que vous avez besoin de desserrer le réservoir d'essence un peu
	Mauvais type de carburant	Égoutter le réservoir de carburant et remplacer par de nouveaux sans plomb
Le moteur perd de la puissance	Filtre à air sale	Nettoyer ou remplacer par un nouveau filtre
	Réglage de la hauteur erroné	Jusqu'à le levier qui ajuste la hauteur de coupe
	Trous de ventilation bloqués	S'assurer que les 3 trous de l'arrêt du réservoir de carburant sont propres
La tondeuse à gazon a une grande oscillation	Lame de coupe lâche	Vérifier et serrer les boulons et les écrous
	Disques/lames pliés ou cassés	Remplacer le disque/lame
	Herbe excessive - accumulation de saleté	Nettoyer et s'assurer que le bac de collecte est propre
	Disque ou lames usés/endommagés	Remplacer les lames

SPÉCIFICATIONS TECHNIQUES

N° d'article	45 681	45 682	45 697	45 698
Modèle	GLM 40/124 P EASY	GLM 42/124 SP EASY	GLM 46/140 SP PLUS	GLM 51/160 SP PLUS
Largeur de coupe	400mm	420mm	460mm	510mm
Modèle moteur Déplacement du moteur	DK1P62FE/P	DK1P62FE/P	SL140	SL160A
Engine displacement	124.4 cm ³	124.4 cm ³	140 cm ³	160 cm ³
Puissance d'évaluation du moteur	2,4hp	2,4hp	2,7hp	3,1hp
Système d'entraînement	Poussée de main	Automoteur	Automoteur	Automoteur
Volumes of fuel tank	0,85 L	0,85 L	0,9 L	1,2 L
Volumes de réservoir d'huile lubrifiant	0,4 L	0,4 L	0,45 L	0.5 L
Vitesse nominale	2850 min ⁻¹	2850 min ⁻¹	2900 min ⁻¹	2900 min ⁻¹
Capacité du sac d'herbe	50L	50L	70 L	70 L
Hauteur de coupe réglable	20 - 68 mm / 7 Étapes	25 - 85 mm / 7 Étapes	25 - 70 mm / 7 Étapes	25 - 70 mm / 7 Étapes
Prise de paillage	/	/	oui	oui
Décharge latérale	/	/	/	oui

ITALIANO

1. PER L'USO

ISTRUZIONI

- Le istruzioni per l'uso originali sono quelle in tedesco. Tutte le altre varianti linguistiche sono traduzioni delle istruzioni per l'uso originali.
- Conservare le presenti istruzioni per l'uso in maniera da potervi leggere, qualora si rendesse necessaria, un'informazione a proposito del prodotto.
- Consegnare il prodotto ad altre persone solo insieme alle presenti istruzioni per l'uso.
- Attenersi alle indicazioni di sicurezza e alle avvertenze contenute nelle presenti istruzioni per l'uso.
- Attenersi alle istruzioni per l'uso accluse dell'apparecchio.

1.1 DESCRIZIONE DEI SIMBOLI E PAROLE SEGNALETICHE

PERICOLO! Mostra una situazione pericolosa imminente che ha come conseguenza la morte o una seria lesione se non viene evitata

ATTENZIONE! Mostra una situazione potenzialmente pericolosa che, se non viene evitata, ha come conseguenza la morte o una seria lesione.

CAUTELA! Mostra una situazione potenzialmente pericolosa che, se non viene evitata, ha come conseguenza una leggera o media lesione.

ATTENZIONE! Mostra una situazione che, se non viene evitata, potrebbe avere come conseguenza dei danni materiali. **AVVISO** Indicazioni speciali volte a migliorare la comprensione e l'uso.

2. DESCRIZIONE DEL PRODOTTO

Nella presente documentazione vengono descritte due varianti di un motore a combustione – di seguito denominate “motore”. Osservate le fasi operative che si riferiscono al vostro apparecchio.

- Tech 124-140
- Tech 160

Attenersi sempre anche alle istruzioni d'uso del tosaerba nel quale è montato il relativo motore!

2.1. UTILIZZO CONFORME ALLA DESTINAZIONE

Il motore è stato progettato come motore per tosaerba per uso privato. A causa dei gas di scarico, deve essere utilizzato soltanto all'aperto e non in spazi chiusi. Un utilizzo differente che esula da quanto specificato sopra non viene considerato conforme alla destinazione. Questo motore è progettato esclusivamente per l'utilizzo in ambiente privato. Ogni altro utilizzo e modifica o installazione verranno considerati estranei alla destinazione d'uso e avranno come conseguenza la decadenza della garanzia, oltre alla perdita della conformità (marchio CE) e al rifiuto da parte del costruttore di qualsiasi responsabilità rispetto a danni all'utente o a terzi.

2.2 IDENTIFICAZIONE (01, 08)

No	COMPONENT
1	Coperchio (con astina di livello) del bocchettone dell'olio
2	Air filter cover
3	Fuel tank cap
4	Maniglia dello starter
5	Spina della candela di accensione
6	Pulsante dello starter

3. INDICAZIONI DI SICUREZZA

PERICOLO! Pericolo di morte e rischio di lesioni gravissime! La mancata conoscenza delle istruzioni di sicurezza e di utilizzo può causare incidenti gravissimi e anche fatali.

- Attenersi a tutte le istruzioni di sicurezza e di utilizzo del presente manuale e alle istruzioni operative prima di utilizzare l'apparecchio.
- Conservare tutta la documentazione fornita per un utilizzo futuro.
- Pericolo di vita a causa di avvelenamento I gas di scarico del motore contengono monossido di carbonio in grado di uccidere una persona in pochi minuti. Osservare i seguenti fattori prima o durante l'uso:
 - Non azionare il motore in ambienti chiusi ma soltanto all'aperto.
 - Non inalare i gas di scarico del motore.
 - Spegnere il motore se si avverte malessere, vertigini o debolezza durante l'utilizzo dell'apparecchio.
 - Utilizzare il motore solo se in stato tecnico ineccepibile.
 - Non disattivare i dispositivi di sicurezza e di protezione.
 - Indossare una protezione auricolare.
 - Leggere attentamente e seguire le indicazioni riportate nelle istruzioni d'uso del tosaerba in cui è installato questo motore. Imparare a spegnere rapidamente il motore.
 - Non utilizzare spray di avviamento o simili.

3.1 OPERATORE

- Divieto di utilizzo dell'apparecchio a minori di 16 anni o persone che non abbiano letto le istruzioni per l'uso. Osservare le norme di sicurezza specifiche del Paese per l'età minima degli utenti.
- Il motore non deve essere messo in funzione sotto l'influsso di alcol, droghe o medicinali.

3.2. SICUREZZA DELLE PERSONE, DEGLI ANIMALI E DELLE COSE

- Utilizzare il motore soltanto in modo conforme. Un uso non conforme può portare a lesioni e danni alle cose.
- L'utilizzatore è responsabile di incidenti che coinvolgono altre persone e oggetti di loro proprietà.
- Tenere terzi lontani dalla zona di pericolo.
- Azionare il motore soltanto se non sono presenti persone e animali nell'area di lavoro.

- Mantenere una distanza di sicurezza dalle persone o dagli animali o spegnere il motore quando si avvicinano persone o animali.
- Non indirizzare mai il getto di scarico del motore contro persone e animali o prodotti e oggetti infiammabili.
- Non toccare mai la grata di aspirazione e di sfianto se il motore è acceso. Le parti rotanti dell'apparecchio possono causare lesioni.
- Spegnerne sempre l'apparecchio quando non è necessario, ad esempio quando si cambia area di lavoro, durante i lavori di manutenzione, quando si rabbocca la miscela benzina/olio.
- Non utilizzare il motore in zone di lavoro con scarsa ventilazione (es. garage). I gas di scarico contengono monossido di carbonio velenoso e altre sostanze nocive.
- Spegnerne subito il motore in caso di incidente per evitare ulteriori lesioni e danni.
- Non utilizzare mai il motore con parti usurate o difettose. Pezzi usurati o difettosi possono causare lesioni gravi.
- Utilizzare solo ricambi e accessori originali.
- Conservare il motore della portata dei bambini.
- Proibire a bambini e ragazzi di giocare con il motore.

3.3 MANIPOLAZIONE DI BENZINA E OLIO

- Rischio di esplosione e di incendio: In seguito a perdite di miscela aria/carburante si produce un'atmosfera esplosiva. Deflagrazione, esplosione e incendio possono derivare da un uso improprio del carburante causando lesioni gravi e persino la morte. Tenere presente quanto segue:
- Non fumare durante la manipolazione della benzina.
- Manipolare il carburante solo all'aperto, mai in ambienti chiusi.
- Osservare attentamente le norme di comportamento di seguito elencate.
- Trasportare e stoccare benzina e olio esclusivamente in contenitori appositamente omologati. Assicurarsi che i bambini non possano avere accesso a benzina e olio stoccati.
- Per evitare una contaminazione del suolo (protezione ambientale) assicurarsi che durante il rifornimento né benzina né olio riescano a penetrare nel terreno. Per fare rifornimento utilizzare sempre un imbuto.
- Non fare mai rifornimento in locali chiusi. Sul pavimento può verificarsi una concentrazione di vapori della benzina, che può avere come conseguenza una deflagrazione o addirittura un'esplosione.
- Pulire subito la benzina fuoriuscita dall'apparecchio e presente a terra. Prima di smaltirli, lasciare asciugare i panni utilizzati per rimuovere la benzina in un luogo ben ventilato. Diversamente può verificarsi un'improvvisa autocombustione.
- Quando si versa benzina, si creano i vapori di benzina. Pertanto, non avviare il motore nella stessa posizione ma almeno a 3 m di distanza.
- Evitare il contatto tra pelle e prodotti a base di oli minerali. Non inalare i vapori di benzina. Per fare rifornimento indossare sempre dei guanti protettivi. Cambiare e lavare regolarmente gli

indumenti protettivi.

- Accertarsi che i propri abiti non entrino in contatto con la benzina. Se la benzina entra in contatto con gli abiti, cambiarsi immediatamente.
- Non fare mai rifornimento a motore caldo o acceso.

4. MESSA IN FUNZIONE

AVVISO Prima della messa in funzione:

- eseguire sempre un controllo vivo. Il motore non può essere utilizzato se presenta elementi di funzionamento e/o fissaggio allentati, danneggiati o usurati.
- Rabboccare assolutamente l'olio.

4.1. CONTROLLARE LO STATO GENERALE DEL MOTORE

1. Controllare il motore nei casi seguenti:

- Controllare il lato esterno e inferiore del motore per rilevare eventuali perdite di olio o benzina
- Sporizia eccessiva o corpi estranei
- Segni di danneggiamento
- Solidità di viti e dadi
- Solidità e presenza di tutte le protezioni e coperture
- Danneggiamento o sporizia del filtro dell'aria
- Livello del carburante
- Livello dell'olio motore

2. Provvedere al rifornimento di olio prima della messa in funzione.

4.2. INSERIRE IL CARBURANTE E SOSTANZE AGGIUNTIVE.

ATTENZIONE! Pericolo di incendio e di esplosione.

Benzina e olio sono altamente infiammabili.

Un incendio può causare lesioni mortali!

- Rifornire di benzina e olio solo all'aperto e non in prossimità di fiamme libere o fonti di calore.
- Se danneggiati, sostituire subito il serbatoio o il tappo del serbatoio.
- Chiudere sempre saldamente il tappo del serbatoio.
- Se è fuoriuscita delle benzina:
 - non avviare il motore.
 - Evitare tentativi di accensione.
 - Pulire il tosaerba e il motore.
- Il carburante fuoriuscito può causare danni alle parti in plastica. Rimuovere immediatamente il carburante. La garanzia non copre danni su parti in plastica causati dal carburante.

4.2.1. CONTROLLARE IL LIVELLO DELL'OLIO (03, 10)

ATTENZIONE! Rischio di danni al motore. Un livello dell'olio basso può causare danni al motore.

- Controllare regolarmente il livello dell'olio.
- In caso di livello basso rabboccare l'olio.

TECH 124-140 (03)

1. Arrestare il motore e lasciarlo raffreddare. Avviso: Il motore deve trovarsi in posizione orizzontale.
2. Rimuovere eventuali corpi estranei dall'area di riempimento di olio.
3. Svitare l'astina dell'olio (03/1) dal bocchettone dell'olio (03/2) e pulirla.
4. Inserire l'astina dell'olio (03/1) nel bocchettone dell'olio (03/2) fino a quando tocca (non avvitarlo) e riestrarla.

5. Verificare se il livello dell'olio si trova tra il segno MIN (03/3) e MAX (03/4).
6. Se il livello dell'olio è vicino o sotto il segno MIN (03/3): Inserire l'olio (vedere capitolo 4.2.2 "Introduzione di olio motore (04, 11)",).
7. Inserire l'astina dell'olio e avvitarlo.
8. Eliminare eventuali tracce di olio.

TECH 160 (10)

1. Arrestare il motore e lasciarlo raffreddare.
Avviso: Il motore deve trovarsi in posizione orizzontale.
2. Rimuovere eventuali corpi estranei dall'area di riempimento di olio.
3. Svitare l'astina dell'olio (10/1) dal bocchettone dell'olio (10/2) e pulirla.
4. Inserire l'astina dell'olio (10/1) nel bocchettone dell'olio (10/2) fino a quando tocca (non avvitarlo) e riestrarla.
5. Verificare se il livello dell'olio si trova tra il segno MIN (10/3) e MAX (10/4).
6. Se il livello dell'olio è vicino o sotto il segno MIN (10/3): Inserire l'olio (vedere capitolo 4.2.2 "Introduzione di olio motore (04, 11)",).
7. Inserire l'astina dell'olio e avvitarlo.
8. Eliminare eventuali tracce di olio.

4.2.2 INTRODUZIONE DI OLIO MOTORE (04, 11)

Raccomandazioni sull'olio

L'olio motore costituisce un fattore essenziale al fine di garantire ottime prestazioni e una lunga durata del motore.

- Usare un olio motore detergente che soddisfi i requisiti della categoria API SF o superiore (o equivalente).
- Controllare l'etichetta di servizio API presente sul contenitore dell'olio per accertarsi che indichi le lettere SF o quelle di una categoria superiore (o equivalente).
- Si consiglia SAE 15W-40 per l'uso generale. La temperatura operativa per questo olio è compresa tra 5 °C e 38 °C.

ATTENZIONE! Rischio di danni al motore. L'utilizzo di olio SAE 15W-40 (olio estivo monogrado) a temperature inferiori a + 5 °C può causare danni al motore a causa di una lubrificazione insufficiente.

- Utilizzare SAE 15W-40 per il range di temperature compreso tra 0 °C e 40 °C.
- L'utilizzo di oli multigrado può portare a un consumo maggiore a temperature calde. Quindi controllare più spesso il livello dell'olio.
- Non mescolare olio di diversi tipi e proprietà. Rabbocco dell'olio

AVVISO Non rabboccare olio oltre il livello MAX. Troppo olio comporta:

- fumo nel gas di scarico
- Contaminazione della candela o del filtro dell'aria

TECH 124-140 (04)

AVVISO Il contenuto di olio massimo per il motore è di 0,45 l.

1. rabboccare olio motore nell'apposito serbatoio.
2. Estrarre l'astina dell'olio (04/1) dal bocchettone dell'olio (04/2).

3. Aggiungere l'olio lentamente e in piccole quantità nel bocchettone dell'olio. Utilizzare un imbuto.
4. Inserire l'astina di livello dell'olio e avvitarlo.
5. Eliminare eventuali tracce di olio.

TECH 160 (11)

AVVISO Il contenuto di olio massimo per il motore è di 0,5 l.

1. rabboccare olio motore nell'apposito serbatoio.
2. Estrarre l'astina dell'olio (11/1) dal bocchettone dell'olio (11/2).
3. Aggiungere l'olio lentamente e in piccole quantità nel bocchettone dell'olio.
4. Inserire l'astina dell'olio e avvitarlo.
5. Eliminare eventuali tracce di olio.

4.2.3 INTRODUZIONE DI BENZINA (01, 08)

Raccomandazioni sulla benzina

- Usare benzina pulita, fresca, senza piombo con un numero di ottano minimo di 90.
- Acquistare quantità di carburante che possono essere usate nell'arco di 30 giorni.
- Benzina con una percentuale di etanolo fino al 10% è accettabile.
- Non mischiare la benzina con l'olio.
- Avviare il motore solo all'aria aperta e lasciarlo andare.

Rabbocco della benzina

1. Rimuovere il tappo del serbatoio (01/3) o (08/3).
2. Riempire il serbatoio fino al bordo inferiore del bocchettone. Non riempire eccessivamente!
3. Riavvitare il tappo del serbatoio (01/3) o (08/3).

5 AZIONAMENTO DEL MOTORE

Per ulteriori informazioni: vedere Istruzioni per l'uso del tosaerba.

PERICOLO! Pericolo di vita a causa di avvelenamento. I gas di scarico del motore contengono monossido di carbonio in grado di uccidere una persona in pochi minuti.

- Avviare e azionare il motore soltanto all'aperto.
- Non azionare il motore in ambienti chiusi anche se le finestre e le porte sono aperte.
- Non inalare i gas di scarico del motore.
- Spegnere il motore se si avverte malessere, vertigini o debolezza durante l'utilizzo dell'apparecchio. Consultare subito un medico.

ATTENZIONE! Pericolo di incendio e di esplosione. Benzina e olio sono altamente infiammabili. Un incendio può causare lesioni mortali!

- Non utilizzare spray di avviamento o simili.

ATTENZIONE! Pericolo di ustione. I motori in funzione diventano molto caldi durante il funzionamento!

- Non toccare mai parti del motore durante il funzionamento, in particolare lo scarico.
- Lasciare raffreddare lo scarico, i cilindri e le alette prima di toccarli.

ATTENZIONE! Pericolo a causa di parti rotanti! Entrare nelle parti rotanti dell'apparecchio porta a lesioni gravi!

- Non entrare mai nelle parti rotanti!
- Seguire le istruzioni per l'uso dell'apparecchio prima di avviare il motore.
- Avviare il motore solo all'aria aperta e lasciarlo

andare.

- Non far funzionare il motore in posizione inclinata oltre 15° di inclinazione.
- Avviare il motore soltanto in posizione orizzontale.
- Non inclinare troppo la macchina lateralmente per evitare che il carburante fuoriesca dal tappo del carburante.
- Controllare il livello dell'olio.
- Legare i capelli lunghi e rimuovere i gioielli.
- Non indossare abiti larghi.
- Indossare scarpe robuste e antiscivolo.
- Non modificare l'impostazione base del motore e non farlo andare fuori giri.
- All'inizio mantenere la distanza di sicurezza.
- Spegnerne il motore e lasciarlo raffreddare prima di rimuovere il tappo del serbatoio.
- Spegnerne il motore, lasciare raffreddare e scollegare il cavo della candela prima di controllare, pulire o prima di lavorare sulla macchina o sul motore.
- Attendere fino a quando il motore si è sufficientemente raffreddato prima di toccare le alette del cilindro e il coperchio di protezione.
- Non avviare il motore senza la candela.

5.1 AVVIARE E ARRESTARE IL MOTORE (01, 08)

AVVISO Attenersi alle istruzioni d'uso del tosaerba!
AVVISO Il motore ha una regolazione fissa del gas. Non è possibile regolare i giri del motore. Avviamento del motore

CAUTELA! Pericolo di infortunio! Pericolo di contraccolpo: Nel tornare rapidamente verso il motore la corda di avviamento può dare forti strattoni inattesi.

- Aspettarsi uno scatto improvviso quando si tira la corda di avviamento.

AVVISO

- In caso di riavvio di un motore caldo non è necessario utilizzare lo starter.
- Premere il pulsante dello starter (01/6) o (08/6) 3 volte a intervalli di ca. 2 secondi. In caso di temperature inferiori a 10 °C premere il pulsante dello starter 5 volte.
- Tirare rapidamente la corda dell'avviamento a strappo (01/4) o (08/4), quindi lasciarla riavvolgere piano.

A motore acceso:

- Non avvicinare le mani e i piedi alle parti rotanti.
- Tenere lontano corpi estranei infiammabili dallo scarico e dalla zona dei cilindri.
- Lasciare raffreddare lo scarico, i cilindri e le alette prima di toccarli.

Spegnerne il motore

- Attenersi alle istruzioni d'uso del tosaerba.

6. RIPARAZIONE

ATTENZIONE! Pericolo di infortunio in caso di lavori di riparazione. Lavori di riparazione inappropriati possono causare lesioni gravi e danneggiare l'apparecchio stesso.

- I lavori di riparazione devono essere eseguiti solo presso da aziende specializzate.
- Devono essere utilizzati esclusivamente pezzi di ricambio originali.

7. MANUTENZIONE E CURA

ATTENZIONE! Pericolo di infortunio!

L'accensione involontaria del motore può causare gravi infortuni.

- Spegnerne sempre il motore e fissarlo prima di eseguire lavori di regolazione, manutenzione o riparazione.
- Una manutenzione regolare è imprescindibile per la sicurezza e il mantenimento delle prestazioni.
- Osservare il piano di manutenzione.
- In caso di utilizzo in condizioni gravose è necessario svolgere la manutenzione più spesso.

1. Prima di qualsiasi intervento di manutenzione e pulizia: Estrarre la spina della candela di accensione (01/5) dalla candela di accensione.

2. Eseguire i lavori di manutenzione e pulizia descritti in questa sezione in secondo il programma di manutenzione.

3. Dopo qualsiasi intervento di manutenzione e pulizia: Ricollocare la spina della candela di accensione (01/5) sulla candela di accensione.

7.1 INCLINARE IL MOTORE (07, 14)

1. Inclinare il motore in modo che la candela di accensione (07/1, 14/1) sia rivolta verso l'alto.

7.2 PULIZIA DEL FILTRO DELL'ARIA (05, 12) TECH 124-140 (05)

- Pulire regolarmente il filtro dell'aria.

- Sostituire il filtro dell'aria danneggiato.

1. Estrarre il coperchio del filtro dell'aria (05/1) premendo le alette di chiusura (05/2) ed estraendo il coperchio del filtro dell'olio.

2. Estrarre il filtro (05/3) e batterlo su una base dura per rimuovere la sporcizia. Non spazzolare!

3. Rimontare il filtro.

4. Riposizionare il coperchio del filtro dell'aria e chiuderlo, a tal scopo agganciare le linguette di chiusura.

* **Attenzione:** il coperchio del motore 124 si apre orizzontalmente

TECH 160 (12)

- Pulire regolarmente il filtro dell'aria.

- Sostituire il filtro dell'aria danneggiato.

1. Svitare le due viti (12/1) del coperchio del filtro dell'aria (12/2) e rimuovere il coperchio.

2. Estrarre il filtro (12/3) e batterlo su una base dura per rimuovere la sporcizia. Non spazzolare!

3. Rimontare il filtro.

4. Riposizionare il coperchio del filtro dell'aria e avvitare con due viti.

7.3 CAMBIO DELL'OLIO (06, 13)

Controllare regolarmente il livello dell'olio. Controllare il livello dell'olio ogni 5 ore di esercizio o giornalmente prima di avviare il motore.

ATTENZIONE! Pericolo di incendio e di esplosione. In seguito a perdite di carburante si produce una miscela benzina/aria esplosiva. Deflagrazione, esplosione e incendio possono derivare da un uso improprio del carburante causando lesioni gravi e persino la morte.

- Svotare il serbatoio del carburante prima di scaricare l'olio.

AVVISO Rivolgersi all'officina del servizio assistenza

se non si eseguono i lavori per proprio conto.

AVVISO

- Scaricare l'olio usato a motore caldo. L'olio caldo scorre rapidamente e del tutto.
- Smaltire l'olio usato in modo ecologico.

TECH 124-140 (06)

AVVISO Il contenuto di olio massimo per il motore è di 0,45 l.

1. svuotare il serbatoio del carburante.
2. Per eliminare il carburante dal carburatore: avviare il motore solo all'aria aperta fino a quando parte.
3. Lasciare raffreddare il motore.
4. Togliere la spina della candela di accensione (01/5).
5. Estrarre l'astina di livello dell'olio (03/2).
6. Aspirare l'olio con la pompa (06/1) e pomparlo nel contenitore (06/2).
7. Introdurre l'olio nuovo (SAE 15W-40, quantità: 0,45 l) con l'imbuto (Introduzione di olio motore (04)).
8. Verificare se il livello dell'olio ha raggiunto il segno MAX (03/4).
9. Inserire l'astina dell'olio e avvitare.
10. Eliminare eventuali tracce di olio.

TECH 160 (13)

AVVISO Il contenuto di olio massimo per il motore è di 0,5 l.

1. svuotare il serbatoio del carburante.
2. Per eliminare il carburante dal carburatore: avviare il motore solo all'aria aperta fino a quando parte.
3. Lasciare raffreddare il motore.
4. Togliere la spina della candela di accensione (08/5).
5. Estrarre l'astina di livello dell'olio (13/2).
6. Posizionare sotto il recipiente di raccolta (13/3) per l'olio usato.
7. Inclinare il motore sopra il recipiente di raccolta per drenare l'olio completamente dal bocchettone dell'olio (13/4).
8. Introdurre l'olio nuovo (SAE 15W-40, quantità: 0,5 l) (Introduzione di olio motore (04)).
9. Verificare se il livello dell'olio ha raggiunto il segno MAX (10/3).
10. Inserire l'astina dell'olio e avvitare.
11. Eliminare eventuali tracce di olio.

7.4. MANUTENZIONE DELLA CANDELA (02, 09)

Tipi di candele prescritte: TORCH F6RTC

ATTENZIONE! Rischio di danni al motore. Il funzionamento del motore con candela errata o senza candela provoca gravi danni al motore!

- Utilizzare sempre le candele prescritte.
 - Non tentare mai di avviare il motore senza candela.
1. Svitare la candela (02/1) o (09/1) con una chiave a tubo.
 2. Pulire gli elettrodi (02/2) o (09/2) con una spazzola metallica e rimuovere eventuali depositi di fuliggine.
 3. Con uno spessore controllare la corretta distanza tra gli elettrodi.

Avviso: La distanza degli elettrodi della candela di accensione deve corrispondere a 0,6 mm - 0,8 mm.

4. Riavvitare la candela e serrare con la chiave a tubo.
- Controllo delle scintille di accensione

ATTENZIONE! Pericolo di lesioni da folgorazione. Il

controllo della scintilla con la candela smontata può provocare gravi lesioni da scosse elettriche e incendi.

- Non verificare mai le scintille nelle candele smontate.

Utilizzare invece un tester di scintilla delle candele.

7.5 PULIZIA DEL MOTORE

ATTENZIONE! Pericolo di incendio e di esplosione. I detriti sul motore possono incendiare il tosaerba. Un incendio può causare lesioni mortali!

- Rimuovere i detriti combustibili (ad es. erba, foglie, grasso) dal motore, in particolare dall'area di scarico e del cilindro.
- Controllare e pulire regolarmente l'area dello scarico e del cilindro.

ATTENZIONE! Pericolo da umidità. Infiltrazioni d'acqua (impianto di accensione, carburatore...) possono comportare malfunzionamenti.

- Non spruzzare acqua sul motore.
1. Prima della pulizia, lasciare raffreddare il motore.
 2. Rimuovere regolarmente le impurità con un panno oppure spazzolare il motore.
 3. Rimuovere tutti gli scarti e i residui di sporcizia dalla marmitta e dal coperchio con aria compressa.
 4. Pulire l'impianto di raffreddamento:
 - Rimuovere le ostruzioni dalle aperture di raffreddamento dell'aria.
 - Per evitare il surriscaldamento, pulire anche le alette di raffreddamento e le superfici interne.
 5. Pulire le parti in plastica con una spugna umida e un detergente.

7.6 REGOLAZIONE DEL CARBURATORE

AVVISO La regolazione del carburatore può essere eseguita solo da un centro di assistenza autorizzato.

7.7. PIANO DI MANUTENZIONE

I seguenti lavori possono essere effettuati personalmente dall'utente. Tutti gli altri lavori di manutenzione, assistenza e riparazione devono essere svolti da un'officina d'assistenza autorizzata. Si prega di attenersi inoltre agli interventi di lubrificazione annuali raccomandati secondo il piano.

AVVISO In caso di sollecitazione piuttosto intensa e alle alte temperature, possono rendersi necessari intervalli di manutenzione inferiori a quanto indicato nella tabella seguente.

8. SUPPORTO IN CASO DI ANOMALIE

CAUTELA! Pericolo di infortunio! Le parti taglienti in movimento possono provocare lesioni.

- Durante i lavori di manutenzione, cura e pulizia indossare sempre guanti protettivi!

AVVISO In caso di guasti che non sono elencati in questa tabella o che non si è in grado di eliminare personalmente, rivolgersi al nostro servizio clienti.

- Trasportare il motore solo con il serbatoio del combustibile vuoto.
- Trasportare il motore sempre in orizzontale, altrimenti possono verificarsi fenomeni quali:
 - Fuoriuscita di carburante e olio

9. TRASPORTO

- Trasportare il motore solo con il serbatoio del combustibile vuoto.
- Trasportare il motore sempre in orizzontale, altrimenti possono verificarsi fenomeni

10. CONSERVAZIONE

AVVISO Attenersi alle istruzioni d'uso del tosaerba!

ATTENZIONE! Pericolo di incendio e di esplosione. Benzina e olio sono altamente infiammabili. Un incendio può causare lesioni mortali!

- Non rifornire l'apparecchio in prossimità di fiamme libere o fonti di calore.
- Non conservare l'apparecchio in una stanza in cui vengono utilizzati utensili elettrici. Se il tosaerba resta inattivo per più di 2 o 3 mesi, il carburante deve essere scaricato per evitare depositi nel sistema di alimentazione. Per periodi di inattività inferiori, il carburante può essere protetto con uno stabilizzatore di carburante.

AVVISO Per ulteriori informazioni: Rivolgersi al proprio servizio clienti.

1. svuotare il serbatoio del carburante.
2. Per eliminare il carburante dal carburatore: avviare il motore solo all'aria aperta fino a quando parte.
3. Lasciare raffreddare il motore.
4. Pulire il motore.
5. Immagazzinare il motore:
 - immagazzinare il motore in una zona ben ventilata, lontano da fiamme aperte o fonti di calore.
 - Non immagazzinare dove sono utilizzati motori elettrici o utensili elettrici.
 - Proteggere dall'umidità.

PROTEZIONE AMBIENTALE

Ispezioni e pulizia regolari riducono la necessità di operazioni di manutenzione e manterranno l'apparecchio in buone condizioni di funzionamento. Il motore deve essere correttamente ventilato durante l'uso dell'apparecchio. Per questo motivo, evitare di bloccare le prese d'aria.

GARANZIA

Questo prodotto è garantito in base alle regole della nazione di acquisto, garanzia valida dalla data di acquisto. Sono esclusi dalla garanzia i danni attribuibili alla normale usura, al sovraccarico o a una manipolazione scorretta. In caso di reclamo, inviare la macchina, completamente assemblata, al proprio rivenditore o a un centro assistenza per apparecchiature elettriche.

PERIODO DI CONCENTRAZIONE DEL SERVIZIO

DIGITARE Esecuzione in ciascun periodo indicato del mese o dell'ora di funzionamento, a seconda di quale si verifica per primo		Prima di ogni utilizzo	Primo mese O 5 Ore	Ogni 3 mesi O 25 Ore	Ogni 6 mesi O 50 Ore	Ogni anno O 100 Ore	Ogni 2 anni O 250 Ore
Olio motore	Verifica	O					
	Sostituzione		O		O		
Filtro aria	Verifica	O					
	Sostituzione			O			
Candela	Impostazione del controllo					O	
	Sostituzione						O
Serbatoio e filtro del carburante	Pulizia					O	
Tubo carburante	Verifica		Ogni 2 anni (sostituzione se necessario)				
Lama	Verifica	O					
	Sostituzione					O*	

*La lama deve essere sostituita in caso di danni

SPECIFICHE TECNICHE

Codice prodotto	45 681	45 682	45 697	45 698
Modello	GLM 40/124 P EASY	GLM 42/124 SP EASY	GLM 46/140 SP PLUS	GLM 51/160 SP PLUS
Larghezza di taglio	400mm	420mm	460mm	510mm
Modello motore	DK1P62FE/P	DK1P62FE/P	SL140	SL160A
Cilindrata	124.4 cm3	124.4 cm3	140 cm3	160 cm3
Potenza di valutazione del motore	2,4hp	2,4hp	2,7hp	3,1hp
Sistema di azionamento	Spinta a mano	Semovente	Semovente	Semovente
Volumi di serbatoio del carburante	0,85 L	0,85 L	0,9 L	1,2 L
Volumi di serbatoio dell'olio lubrificante	0,4 L	0,4 L	0,45 L	0.5 L
Velocità nominale	2850 min-1	2850 min-1	2900 min-1	2900 min-1
Capacità borsa erba	50L	50L	70 L	70 L
Altezza di taglio regolabile	20 - 68 mm / 7 Fasi	25 - 85 mm / 7 Fasi	25 - 70 mm / 7 Fasi	25 - 70 mm / 7 Fasi
Tappo di pacciamatura	/	/	Sì	Sì
Scarico laterale	/	/	/	Sì

RISOLUZIONE RAPIDA DEI PROBLEMI

Problema	Causa probabile	Soluzione consigliata
Il motore non è attivato	La leva dell'acceleratore non è impostata correttamente	Impostare l'opzione Avvio a freddo su freddo o leggermente inferiore quando fa caldo
	Senza o quasi senza carburante	Riempire il serbatoio del carburante con benzina senza piombo
	Spina scintilla esausta	Sostituire con una nuova spina di scintilla compatibile
	Spina scintilla sporca	Pulire o sostituire con una nuova candela
	Spina scintilla disconnessa	Premere leggermente il coperchio del terminale
	Macchina allagata	Spegnere il carburante in "off", quindi tirare la corda di partenza fino all'inizio del tosaerba, quindi accendere il carburante
	Vecchia benzina nel contenitore	Drenare il combustibile più vecchio e sostituirlo con nuovo senza piombo
	Acqua nel serbatoio del carburante	Contattare un servizio autorizzato
Il motore si ferma frequentemente	Alimentazione del carburante bloccata	Assicurarsi che il tubo del carburante non sia forato o bloccato
	Il serbatoio del carburante non sfiata	Forse hai bisogno di allentare un po' il serbatoio del gas.
	Tipo sbagliato di carburante	Scolare il serbatoio del carburante e sostituirlo con un nuovo
il motore perde cavalli	Filtro dell'aria sporca	Pulire o sostituire con un nuovo filtro
	Impostazione dell'altezza errata	La leva che regola l'altezza di taglio
	Fori di ventilazione bloccati	Assicurarsi che i 3 fori nell'arresto del serbatoio del carburante siano puliti
il tosaerba ha una grande oscillazione	Lama da taglio allentata	Controllare e stringere i bulloni e i dadi
	Dischi/lame piegati o rotti	Sostituire disco/lama
	Erba eccessiva - accumulo di sporcizia	Pulito e assicurarsi che il bidone della raccolta sia pulito
	Disco o lame usurate/danneggiate	Sostituire le lame

ΕΛΛΗΝΙΚΑ

1. ΣΧΕΤΙΚΑ ΜΕ ΤΙΣ ΟΔΗΓΙΕΣ ΧΡΗΣΗΣ

- Φυλάσσετε αυτές τις οδηγίες λειτουργίας σε ασφαλές μέρος ανά πάσα στιγμή, ώστε να ανατρέχετε εάν χρειάζεται οποιαδήποτε πληροφορία σχετικά με το προϊόν.
- Μεταβιβάζετε το προϊόν μόνο σε άλλα άτομα μαζί με αυτές τις οδηγίες λειτουργίας.
- Συμμορφωθείτε με τις πληροφορίες ασφαλείας και προειδοποίησης για τις οδηγίες λειτουργίας.
- Συμμορφωθείτε επίσης με τις κλειστές οδηγίες λειτουργίας της συσκευής.

1.1. ΣΗΜΑΤΑ ΣΗΜΑΝΣΗΣ

Κίνδυνος! Δηλώνει μια άμεσα επικίνδυνη κατάσταση που θα οδηγήσει σε θανατηφόρο ή σοβαρό τραυματισμό, αν δεν αποφευχθεί.

Προειδοποίηση! Δηλώνει μια δυνητικά επικίνδυνη κατάσταση που μπορεί να οδηγήσει σε θανατηφόρο ή σοβαρό τραυματισμό, αν δεν αποφευχθεί.

Προσοχή! Δηλώνει μια δυνητικά επικίνδυνη κατάσταση που μπορεί να οδηγήσει σε ελαφρά ή μέτρια ζημία, αν δεν αποφεύγεται.

Σημαντικό! Δηλώνει μια κατάσταση που μπορεί να οδηγήσει σε υλική ζημία εάν δεν αποφεύγεται.

ΣΗΜΕΙΩΣΗ Ειδικές οδηγίες για την ευκολία κατανόησης και χειρισμού.

2. ΠΕΡΙΓΡΑΦΗ ΠΡΟΙΟΝΤΟΣ

Η παρούσα τεκμηρίωση περιγράφει δύο παραλλαγές ενός κινητήρα εσωτερικής καύσης – εφερέζης καλούμενος "κινητήρας". Παρακαλούμε να τηρείτε τα βήματα οδηγιών που είναι κατάλληλα για τη συσκευή σας.

- Κινητήρας 124-140
- Κινητήρας 160

Επιπλέον, να συμμορφώνεστε πάντα με τις οδηγίες λειτουργίας της κλοοκοπτικής μηχανής στην οποία είναι εγκατεστημένος ο αντίστοιχος κινητήρας.

2.1. ΚΑΘΟΡΙΣΜΕΝΗ ΧΡΗΣΗ

Ο κινητήρας έχει σχεδιαστεί για την οδήγηση κλοοκοπτικών μηχανών ιδιωτικής χρήσης. Λόγω των καυσαερίων που παράγονται, πρέπει να λειτουργεί μόνο σε εξωτερικούς και όχι σε εσωτερικούς χώρους. Κάθε χρήση που δεν είναι σύμφωνη με την εν λόγω καθορισμένη χρήση θεωρείται κατάχρηση. Αυτός ο κινητήρας προορίζεται αποκλειστικά για χρήση σε μη εμπορικές εφαρμογές. Οποιαδήποτε άλλη χρήση (καθώς και μη εξουσιοδοτημένες μετατροπές ή πρόσθετα) θεωρείται αντίθετη προς την προβλεπόμενη χρήση και θα έχει ως αποτέλεσμα την εξαίρεση της εγγύησης καθώς και την απώλεια συμμόρφωσης (σήμα CE). Συνεπώς, ο κατασκευαστής θα αρνηθεί κάθε ευθύνη για ζημία ή/και ζημία που υπέστη ο χρήστης ή τρίτο.

2.2. ΤΑΥΤΟΠΟΙΗΣΗ (01, 08)

No	ΕΞΑΡΤΗΜΑ
1	Τάπα (με δείκτη λαδιού) για το άνοιγμα συμπλήρωσης λαδιού
2	Κάλυμμα φίλτρου αέρα
3	Τάπα καυσίμων
4	Λαβή εκκίνησης
5	Μπουζί
6	Πουάρ

3. ΟΔΗΓΙΕΣ ΑΣΦΑΛΕΙΑΣ

Κίνδυνος! Κίνδυνος θανατηφόρου τραυματισμού και κίνδυνος εξαιρετικά σοβαρού τραυματισμού!

Η έλλειψη γνώσης των οδηγιών ασφαλείας και των οδηγιών λειτουργίας μπορεί να οδηγήσει σε εξαιρετικά σοβαρό ή και θανάσιμο τραυματισμό.

- Τηρείτε όλες τις οδηγίες ασφαλείας και τις οδηγίες χρήσης, καθώς και τις οδηγίες λειτουργίας που αναφέρονται παρακάτω, πριν αρχίσετε να χρησιμοποιείτε τη συσκευή.
- Φυλάσσετε όλα τα παρεχόμενα έγγραφα σε ασφαλές μέρος για μελλοντική αναφορά.
- Κίνδυνος δηλητηρίασης
- Τα καυσάερια του κινητήρα περιέχουν μονοξείδιο του άνθρακα που μπορεί να σκοτώσει ένα άτομο μέσα σε λίγα λεπτά. Προσέξτε τα ακόλουθα πριν ή κατά τη χρήση:
 - Λειτουργήστε τον κινητήρα μόνο σε εξωτερικούς χώρους, ποτέ σε κλειστό δωμάτιο.
 - Μην εισπνέετε τα καυσάερια του κινητήρα.
 - Σβήστε τον κινητήρα εάν αισθανθείτε ναυτία, ζάλη ή αδυναμία κατά τη χρήση αυτής της συσκευής.
 - Χρησιμοποιείτε τον κινητήρα μόνο εάν είναι σε άριστη τεχνική κατάσταση.
 - Μην απενεργοποιείτε τις διατάξεις ασφαλείας και προστασίας.
 - Φοράτε ωτασπίδες.
 - Διαβάστε προσεκτικά και ακολουθήστε σωστά τις οδηγίες λειτουργίας και τις οδηγίες λειτουργίας για το κλοοκοπτικό στο οποίο είναι εγκατεστημένος ο κινητήρας. Μάθετε πώς μπορείτε να σταματήσετε τον κινητήρα γρήγορα.
 - Μη χρησιμοποιείτε σπρέι εκκίνησης ή παρόμοια.

3.1. ΧΡΗΣΤΗΣ

- Οι νέοι κάτω των 16 ετών και τα άτομα που δεν γνωρίζουν τις οδηγίες λειτουργίας δεν επιτρέπεται να χρησιμοποιούν τον κινητήρα. Τηρείτε τυχόν ειδικούς κανονισμούς ασφαλείας ανά χώρα σχετικά με την ελάχιστη ηλικία του χρήστη.
- Μη χρησιμοποιείτε τον κινητήρα εάν βρίσκεστε υπό την επήρεια αλκοόλ, ναρκωτικών ή φαρμάκων.

3.2. ΑΣΦΑΛΕΙΑ ΑΤΟΜΩΝ, ΖΩΩΝ ΚΑΙ ΙΔΙΟΚΤΗΣΙΑΣ

- Χρησιμοποιείτε τον κινητήρα μόνο όπως προβλέπεται. Οποιαδήποτε μη προβλεπόμενη χρήση μπορεί να προκαλέσει τραυματισμούς και υλικές ζημιές.
- Ο χρήστης είναι υπεύθυνος για ατυχήματα που

αφορούν άλλα άτομα και την περιουσία τους.

- Κρατήστε τρίτους μακριά από την επικίνδυνη περιοχή.
- Ενεργοποιήστε τον κινητήρα μόνο όταν δεν υπάρχουν άτομα ή ζώα στο χώρο εργασίας.
- Διατηρήστε μια ασφαλή απόσταση από άτομα ή ζώα ή απενεργοποιήστε τον κινητήρα εάν πλησιάζουν άτομα ή ζώα.
- Μην κατευθύνετε ποτέ την εκτόξευση καυσαερίων του κινητήρα προς πρόσωπα και ζώα ή προς εύφλεκτα προϊόντα και αντικείμενα.
- Πάντοτε να απενεργοποιείτε τον κινητήρα όταν δεν τον χρησιμοποιείτε, π.χ. όταν αλλάζετε το χώρο εργασίας, κατά τη διάρκεια της λειτουργίας και της συντήρησης και όταν γεμίζετε με βενζίνη ή λάδι.
- Μην χρησιμοποιείτε τον κινητήρα σε χώρους εργασίας με ανεπαρκή εξαερισμό (π.χ. γκαράζ). Τα καυσαέρια περιέχουν δηλητηριώδες μονοξείδιο του άνθρακα καθώς και άλλες επιβλαβείς ουσίες.
- Ξβήστε αμέσως τον κινητήρα σε περίπτωση ατυχήματος, προκειμένου να αποφύγετε περαιτέρω τραυματισμούς ή/και υλικές ζημιές.
- Μην χειρίζεστε ποτέ τον κινητήρα με φθαρμένα ή ελαττωματικά εξαρτήματα. Φθαρμένα ή ελαττωματικά εξαρτήματα μπορεί να προκαλέσουν σοβαρούς τραυματισμούς.
- Χρησιμοποιείτε μόνο γνήσια ανταλλακτικά και γνήσια εξαρτήματα.
- Κρατήστε τον κινητήρα μακριά από παιδιά.
- Μην αφήνετε παιδιά και εφήβους να παίζουν με τον κινητήρα.

3.3. ΧΕΙΡΙΣΜΟΣ ΒΕΝΖΙΝΗΣ ΚΑΙ ΛΑΔΙΟΥ

- Κίνδυνος έκρηξης και πυρκαγιάς: Ένα μείγμα βενζίνης/αέρα που διαφεύγει μπορεί να προκαλέσει εκρηκτική ατμόσφαιρα. Η αποστράγγιση, η έκρηξη και η πυρκαγιά μπορεί να οδηγήσουν σε σοβαρούς, ακόμη και θανατηφόρους τραυματισμούς εάν τα καύσιμα δεν αντιμετωπιστούν σωστά. Προσέξτε τα εξής:
- Μην καπνίζετε όταν πρόκειται για βενζίνη.
- Είναι απαραίτητο να ληφθούν υπόψη όλα τα μέτρα προφύλαξης που αναφέρονται.
- Μεταφέρετε και αποθηκεύετε μόνο βενζίνη και λάδι, σε δοχεία εγκεκριμένα για το σκοπό αυτό. Βεβαιωθείτε ότι τα παιδιά δεν έχουν πρόσβαση σε αποθηκευμένη βενζίνη και λάδι.
- Για να αποφύγετε τη μόλυνση του εδάφους (προστασία του περιβάλλοντος) κατά την πλήρωση, βεβαιωθείτε ότι δεν εισέρχεται βενζίνη ή λάδι στο έδαφος. Χρησιμοποιήστε μια κοάνη για την πλήρωση.
- Μην γεμίζετε ποτέ τη συσκευή σε κλειστούς χώρους. Οι αναθυμιάσεις βενζίνης μπορούν να συγκεντρωθούν στο επίπεδο του εδάφους, και με αυτόν τον τρόπο να οδηγήσουν σε ανάφλεξη ή ακόμα και σε έκρηξη.
- Σκουπίστε αμέσως οποιαδήποτε χυμένη βενζίνη από το μηχανήμα και το έδαφος. Αφήστε τα πανιά που χρησιμοποιούνται για να σκουπίσουν τη βενζίνη να στεγνώσουν σε καλά αεριζόμενο μέρος πριν τα απορρίψετε. Διαφορετικά, μπορεί να συμβεί ξαφνική αυτοανάφλεξη.
- Εάν έχει κυθεί βενζίνη, εμφανίζονται ατμοί βενζίνης. Για το λόγο αυτό, μην ξεκινήσετε τον

κινητήρα στην ίδια θέση και μετακινήστε τον σε τουλάχιστον 3 μέτρα.

- Αποφύγετε την επαφή με το δέρμα με τη βενζίνη. Μην εισπνέετε τη βενζίνη. Όταν γεμίζετε, φοράτε πάντα προστατευτικά γάντια. Αλλάξτε και καθαρίστε τακτικά την προστατευτική ενδυμασία.
- Βεβαιωθείτε ότι τα ρούχα σας δεν έρχονται σε επαφή με βενζίνη. Αν η βενζίνη έχει μπει στα ρούχα σας, αλλάξτε τα αμέσως.
- Μην γεμίζετε ποτέ τη συσκευή ενώ ο κινητήρας λειτουργεί ή θερμαίνεται.

4. ΞΕΚΙΝΩΝΤΑΣ ΣΗΜΕΙΩΣΗ

Πριν από την εκκίνηση:

- Να εκτελείτε πάντα οπτικό έλεγχο. Μη χρησιμοποιείτε τον κινητήρα εάν τα εξαρτήματα λειτουργίας ή/και στερέωσης είναι χαλαρά, κατεστραμμένα ή φθαρμένα.
- Φροντίστε να προσθέσετε λάδι κινητήρα.

4.1 ΕΛΕΓΧΟΣ ΚΑΙ ΚΑΤΑΣΤΑΣΗ ΤΟΥ ΚΙΝΗΤΗΡΑ

1. Ελέγξτε τον κινητήρα για:

- Ενδείξεις διαρροής λαδιού ή βενζίνης στο εξωτερικό και στο κάτω μέρος του κινητήρα.
- Υπερβολική βρωμιά ή ξένα σώματα
- Ενδείξεις βλάβης
- Σφίξιμο όλων των παξιμαδιών, των μπουλονιών και των βιδών
- Σφικτός εξοπλισμός και παρουσία όλων των οθονών και των καλυμμάτων
- Βλάβη ή βρωμιά του φίλτρου αέρα
- Επίπεδο καυσίμου
- Στάθμη λαδιού κινητήρα

2. Εξάλειψτε τυχόν εντοπισμένα ελαττώματα πριν ξεκινήσετε.

4.2. ΓΕΜΙΣΜΑ ΚΑΥΣΙΜΟΥ

Προειδοποίηση! Κίνδυνος έκρηξης και πυρκαγιάς. Η βενζίνη και το πετρέλαιο είναι πολύ εύφλεκτα. Η φωτιά μπορεί να οδηγήσει σε σοβαρούς τραυματισμούς.

- Ξαναγεμίστε μόνο βενζίνη και λάδι στην ύπαιθρο και ποτέ κοντά σε γυμνές φλόγες ή ηηγές θερμότητας.
- Ανανεώστε αμέσως τη δεξαμενή ή το καπάκι της δεξαμενής σε περίπτωση βλάβης.
- Να κλείνετε πάντα το καπάκι της δεξαμενής σταθερά.
- Εάν η βενζίνη έχει διαρρεύσει:
- Αποφύγετε τις προσπάθειες εκκίνησης.
- Καθαρίστε το κλοσκοπικό και τον κινητήρα.
- Τα καύσιμα που έχουν κυθεί μπορεί να προκαλέσουν ζημιά σε πλαστικά μέρη: Σκουπίστε αμέσως τα καύσιμα. Η εγγύηση δεν καλύπτει ζημιές σε πλαστικά εξαρτήματα που προκαλούνται από καύσιμα.

4.2.1. ΕΛΕΓΧΟΣ ΣΤΑΘΜΗΣ ΛΑΔΙΟΥ (03, 10)

Σημαντικό! Κίνδυνος βλάβης του κινητήρα. Η χαμηλή στάθμη λαδιού μπορεί να προκαλέσει βλάβη στον κινητήρα.

- Ελέγχετε τη στάθμη λαδιού σε τακτά χρονικά διαστήματα.

- Εάν η στάθμη είναι χαμηλή, γεμίστε με καθαρό λάδι.

ΚΙΝΗΤΗΡΑΣ 124-140 (03)

1. Σταματήστε τον κινητήρα και αφήστε τον να κρυώσει.

Σημείωση: Ο κινητήρας πρέπει να είναι επίπεδος στο έδαφος.

2. Αφαιρέστε τυχόν ξένα σώματα που σχηματίζουν την περιοχική του ανοίγματος πλήρωσης λαδιού.
3. Ξεβιδώστε το δείκτη του λαδιού (03/1) από το άνοιγμα του υλικού πληρώσεως λαδιού (03/2) και σκουπίστε το καθαρά.
4. Τοποθετήστε το λάδι (03/1) στο άνοιγμα πλήρωσης λαδιού (03/2) μέχρι το καπάκι να έρθει σε επαφή με το λαμό ανοίγματος πλήρωσης (μην βιδώνετε) και αφαιρέστε το ξανά.
5. Ελέγξτε ότι το επίπεδο είναι μεταξύ των σημάτων MIN (03/3) και MAX (03/4).
6. Όταν η στάθμη λαδιού είναι κοντά ή κάτω από το σήμα MIN (03/3): Γεμίστε με λάδι βλέπε κεφάλαιο 4.2.2 "Συμπλήρωση λαδιού κινητήρα" (04, 11)"
7. Τοποθετήστε το δείκτη του λαδιού και βιδώστε σφικτά.
8. Αφαιρέστε τυχόν λάδι που έχει κυθεί.

ΚΙΝΗΤΗΡΑΣ 160 (10)

1. Σταματήστε τον κινητήρα και αφήστε τον να κρυώσει.

Σημείωση: Ο κινητήρας πρέπει να είναι επίπεδος στο έδαφος.

2. Αφαιρέστε τυχόν ξένα σώματα που σχηματίζουν την περιοχική του ανοίγματος πλήρωσης λαδιού.
3. Ξεβιδώστε το δείκτη του λαδιού (10/1) από το άνοιγμα πλήρωσης λαδιού (10/2) και σκουπίστε το καθαρά.
4. Τοποθετήστε το λάδι (10/1) στο άνοιγμα πλήρωσης λαδιού (10/2) μέχρι το καπάκι να έρθει σε επαφή με το άνοιγμα του λαίμου (μη βιδώνετε) και αφαιρέστε τον ξανά.
5. Ελέγξτε ότι το επίπεδο είναι μεταξύ των σημάτων MIN (10/3) και MAX (10/4).
6. Όταν η στάθμη λαδιού είναι κοντά ή κάτω από το σήμα MIN (10/3): Γεμίστε με λάδι βλέπε κεφάλαιο 4.2.2

Συμπλήρωση λαδιού κινητήρα" (04, 11)

7. Τοποθετήστε το δείκτη του λαδιού και βιδώστε σφικτά.
8. Αφαιρέστε τυχόν λάδι που έχει κυθεί.

4.2.2. ΣΥΜΠΛΗΡΩΣΗ ΛΑΔΙΟΥ ΚΙΝΗΤΗΡΑ (04, 11)

Συστάσεις σχετικά με το λάδι

Το λάδι του κινητήρα είναι καθοριστικός παράγοντας για την απόδοση και τη διάρκεια ζωής του κινητήρα.

- Χρησιμοποιήστε ένα λάδι κινητήρα που πληροί τις απαιτήσεις για την κατηγορία υπηρεσιών API SF ή υψηλότερη (ή ισοδύναμη).
- Ελέγξτε την ετικέτα της υπηρεσίας API στο δοχείο λαδιού για να βεβαιωθείτε ότι υπάρχουν τα γράμματα SF ή εκείνα υψηλότερης (ή ισοδύναμης) κατηγορίας.
- Συνιστάται το SAE 15W-40 για γενική χρήση. Το συνιστώμενο εύρος θερμοκρασίας λειτουργίας για αυτό το λάδι είναι 5°C έως 38°C.

Σημαντικό! Κίνδυνος βλάβης του κινητήρα.

Η χρήση λαδιού SAE 15W-40 (μονοβάθμιο καλοκαιρινό λάδι) σε θερμοκρασίες χαμηλότερες από +5°C μπορεί να προκαλέσει βλάβη στον κινητήρα λόγω ανεπαρκούς λίπανσης.

- Χρησιμοποιήστε το SAE 15W-40 για το εύρος θερμοκρασίας από 0°C έως 40°C.
- Η χρήση πολυβάθμιων λιπαντικών μπορεί να οδηγήσει σε υψηλότερη κατανάλωση σε υψηλότερες θερμοκρασίες. Επομένως ελέγξτε τη στάθμη λαδιού συχνότερα.
- Μην αναμιγνύετε έλαια διαφορετικών βαθμών και με διαφορετικές ιδιότητες.

Συμπλήρωση λαδιού

ΣΗΜΕΙΩΣΗ Μη γεμίζετε τη στάθμη λαδιού πάνω από το MAX. Πάρα πολύ λάδι θα προκαλέσει:

- Καπνό στην εξάτμιση
- Αάδωμα του μπουζί ή του φίλτρου αέρα

ΚΙΝΗΤΗΡΑΣ 124-140 (04)

ΣΗΜΕΙΩΣΗ Η μέγιστη χωρητικότητα λαδιού του κινητήρα είναι 0,45 lt.

1. Γεμίστε το λάδι του κινητήρα σε κατάλληλο δοχείο.
2. Αφαιρέστε το λάδι (04/1) από το άνοιγμα πλήρωσης λαδιού (04/2).
3. Προσθέστε το πετρέλαιο αργά και σε μικρές ποσότητες στο άνοιγμα πλήρωσης λαδιού χρησιμοποιώντας μια κοάνη.
4. Τοποθετήστε και κλειδώστε το λάδι.
5. Αφαιρέστε το λάδι που έχει κυθεί.

ΚΙΝΗΤΗΡΑΣ 160 (11)

ΣΗΜΕΙΩΣΗ Η μέγιστη χωρητικότητα λαδιού του κινητήρα είναι 0,5 lt.

1. Γεμίστε το λάδι του κινητήρα σε κατάλληλο δοχείο.
2. Αφαιρέστε το έλαιο (11/1) από το άνοιγμα πλήρωσης λαδιού (11/2).
3. Προσθέστε το λάδι αργά και σε μικρές ποσότητες στο άνοιγμα πλήρωσης λαδιού.
4. Τοποθετήστε το δείκτη του λαδιού και βιδώστε σφικτά.
5. Αφαιρέστε το λάδι που έχει κυθεί.

4.2.3. ΣΥΜΠΛΗΡΩΣΗ ΒΕΝΖΙΝΗΣ (01, 08)

Συστάσεις σχετικά με τη βενζίνη

- Αγοράστε καύσιμα σε ποσότητες που μπορούν να καταναλωθούν εντός 30 ημερών.
- Η βενζίνη με έως και 10% αιθανόλη είναι αποδεκτή.
- Μην αναμιγνύετε τη βενζίνη με λάδι.
- Ξεκινήστε και αφήστε τον κινητήρα να λειτουργεί σε εξωτερικούς χώρους.

Πλήρωση βενζίνης

1. Αφαιρέστε το καπάκι της δεξαμενής (01/3) ή (08/3).
2. Γεμίστε τη δεξαμενή μέχρι το κάτω άκρο του σωλήνα πλήρωσης καυσίμου και μην το ξεχειλίζετε.
3. Βιδώστε ξανά το καπάκι της δεξαμενής (01/3) ή (08/3).

5. ΛΕΙΤΟΥΡΓΙΑ ΤΗΣ ΜΗΧΑΝΗΣ

Για περισσότερες πληροφορίες: ανατρέξτε στις οδηγίες λειτουργίας της χλοοκοπτικής μηχανής.

Κίνδυνος δηλητηρίασης. Τα καυσαέρια του κινητήρα περιέχουν μονοξείδιο του άνθρακα που μπορούν να σκοτώσουν ένα άτομο μέσα σε λίγα λεπτά.

- Ξεκινήστε και λειτουργείτε τον κινητήρα μόνο στην ύπαιθρο.
- Μην χειρίζεστε ποτέ τον κινητήρα σε κλειστούς χώρους ακόμα και με τα παράθυρα και τις πόρτες ανοιχτές.
- Μην εισπνέετε τα καυσαέρια του κινητήρα.
- Σβήστε τον κινητήρα εάν αισθανθείτε ναυτία, ζάλη ή αδυναμία κατά τη χρήση. Συμβουλευτείτε αμέσως ένα γιατρό.

Προειδοποίηση! Κίνδυνος έκρηξης και πυρκαγιάς. Η βενζίνη είναι πολύ εύφλεκτη. Η φωτιά μπορεί να οδηγήσει σε σοβαρούς τραυματισμούς.

Προειδοποίηση! Κίνδυνος εγκαυμάτων. Κινητήρας πολύ ζεστός σε λειτουργία!

- Μην αγγίζετε ποτέ μέρη του κινητήρα, ιδίως την εξάτμιση.
- Αφήστε τα πτερύγια εξάτμισης, κυλίνδρων και ψύξης να κρυσώσουν πριν από την επαφή.

Προειδοποίηση! Κίνδυνος από τα περιστρεφόμενα μέρη της συσκευής! Τα περιστρεφόμενα μέρη μπορεί να οδηγήσουν σε σοβαρούς τραυματισμούς!

- Πριν αρχίσετε να χρησιμοποιείτε τον κινητήρα, τηρείτε τις οδηγίες λειτουργίας της μηχανής.
- Ξεκινήστε και αφήστε τον κινητήρα να λειτουργεί σε εξωτερικούς χώρους.
- Μη χρησιμοποιείτε τον κινητήρα σε κεκλιμένες θέσεις με γωνία μεγαλύτερη των 15°.
- Ξεκινήστε τον κινητήρα μόνο στην οριζόντια θέση.
- Μην γείρετε το μηχανήμα τόσο μακριά στο πλάι που το καύσιμο μπορεί να εξαντληθεί από το καπάκι του ρεζερβουάρ καυσίμου.
- Ελέγξτε τη στάθμη λαδιού.
- Δέστε μακριά μαλλιά και αφαιρέστε τα κοσμήματα.
- Μην φοράτε φαρδιά ρούχα.
- Φοράτε ανθεκτικά, αντιολισθητικά παπούτσια.
- Μην αλλάζετε τη βασική ρύθμιση του κινητήρα ή την υπερτροφή.
- Κρατήστε την απόσταση ασφαλείας κατά την εκκίνηση.
- Σβήστε τον κινητήρα και αφήστε τον να κρυσώσει πριν αφαιρέσετε το καπάκι της δεξαμενής.
- Σβήστε τον κινητήρα, αφήστε τον να κρυσώσει και αφαιρέστε το καλώδιο του μπουζί πριν ελέγξετε, καθαρίσετε ή εργαστείτε στο μηχανήμα ή τον κινητήρα.
- Περιμένετε μέχρι ο κινητήρας να κρυσώσει επαρκώς πριν αγγίξετε το προστατευτικό περίβλημα.
- Μην περιστρέφετε τον κινητήρα χωρίς μπουζί.

5.1 ΕΝΕΡΓΟΠΟΙΗΣΗ ΚΑΙ ΑΠΕΝΕΡΓΟΠΟΙΗΣΗ ΤΟΥ ΚΙΝΗΤΗΡΑ (01, 08)

ΣΗΜΕΙΩΣΗ Τηρείτε τις οδηγίες λειτουργίας της χλοοκοπτικής μηχανής.

ΣΗΜΕΙΩΣΗ Ο κινητήρας έχει σταθερή ρύθμιση αερίου. Ο έλεγχος ταχύτητας δεν είναι δυνατός.

Εκκίνηση κινητήρα

Προσοχή! Κίνδυνος τραυματισμού!

Το καλώδιο εκκίνησης μπορεί να επιστρέψει γρηγορότερα στον κινητήρα από ό, τι το καλώδιο μπορεί να απελευθερωθεί.

- Προβλέψτε ένα ξαφνικό τράνταγμα όταν τραβηχτεί

το καλώδιο εκκίνησης.

Σημείωση

- Πιέστε το πουάρ (01/6) ή (08/6) 3x, σε διαστήματα περίπου 2 δευτερολέπτων. Σε θερμοκρασίες κάτω των 10°C, πατήστε το πουάρ 5x.
- Τραβήξτε το καλώδιο εκκίνησης (01/4) ή (08/4) γρήγορα και στη συνέχεια, αφήστε το να επιστρέψει αργά.

Με τον κινητήρα σε λειτουργία:

- Κρατήστε τα χέρια και τα πόδια σας μακριά από οποιαδήποτε περιστρεφόμενα μέρη.
- Φυλάσσετε τα εύφλεκτα αντικείμενα από την εξάτμιση και την επαφή του κυλίνδρου.
- Αφήστε τα πτερύγια εξάτμισης, κυλίνδρων και ψύξης να κρυσώσουν πριν από την επαφή.

Απενεργοποίηση κινητήρα

- Δείτε τις οδηγίες χρήσης του κινητήρα.

6. ΕΠΙΣΚΕΥΗ

Προειδοποίηση! Κίνδυνος τραυματισμού κατά τη διάρκεια εργασιών επισκευής. Ακατάλληλες επισκευές μπορεί να οδηγήσουν σε σοβαρούς τραυματισμούς και ζημιά στη συσκευή.

- Οι εργασίες επισκευής μπορούν να εκτελούνται μόνο από εξειδικευμένα άτομα.
- Χρησιμοποιείτε μόνο γνήσια ανταλλακτικά.

7 ΣΥΝΤΗΡΗΣΗ ΚΑΙ ΦΡΟΝΤΙΔΑ

Προειδοποίηση! Κίνδυνος τραυματισμού.

Η ακούσια ενεργοποίηση του κινητήρα μπορεί να οδηγήσει σε σοβαρούς τραυματισμούς.

- Πριν από τις εργασίες ρύθμισης, συντήρησης και επισκευής, πάντοτε να απενεργοποιείτε τον κινητήρα και να τον ασφαλίσετε από το να ενεργοποιείται ξανά.
- Η τακτική συντήρηση είναι απαραίτητη για την ασφάλεια και τη διατήρηση της απόδοσης.
- Τηρείτε το πρόγραμμα συντήρησης.
- Για χρήση υπό πιο απαιτητικές συνθήκες, απαιτείται συχνότερη συντήρηση.

1. Πριν από όλες τις εργασίες συντήρησης και καθαρισμού: Αφαιρέστε το βύσμα σπινθήρα (01/5) από το μπουζί.

2. Εκτελέστε τις εργασίες συντήρησης και καθαρισμού που περιγράφονται σε αυτή την ενότητα πρόγραμμα συντήρησης.

3. Μετά από εργασίες συντήρησης και καθαρισμού: Επανασυνδέστε το μπουζί (01/5)

7.1 ΚΛΙΣΗ ΤΟΥ ΚΙΝΗΤΗΡΑ (07, 14)

1. Γείρετε τον κινητήρα έτσι ώστε το μπουζί (07/1, 14/1) να είναι στραμμένο προς τα πάνω.

7.2 ΚΑΘΑΡΙΣΜΟΣ ΦΙΛΤΡΟΥ (05, 12)

Κινητήρας 124-140 (05)

- Καθαρίζετε τακτικά το φίλτρο αέρα.

• Αντικαταστήστε το φίλτρο αέρα σε περίπτωση βλάβης.

1. Αφαιρέστε το κάλυμμα του φίλτρου αέρα (05/1) πιέζοντας τα κλιπ (05/2) και αφαιρώντας το κάλυμμα του φίλτρου αέρα.

2. Αφαιρέστε το φίλτρο (05/3) και χτυπήστε το σε μια σκληρή επιφάνεια μέχρι να αφαιρεθεί η βρωμιά. Μην βουρτσίζετε σε εξωτερικό χώρο!

3. Εγκαταστήστε ξανά το φίλτρο.

4. Προσαρμόστε ξανά το κάλυμμα του φίλτρου αέρα και κλείστε το, πατώντας τα κλιπ.

***Προσοχή:** το κάλυμμα του κινητήρα 124 ανοίγει οριζόντια

Κινητήρας 160 (12)

- Καθαρίζετε τακτικά το φίλτρο αέρα.
- Αντικαταστήστε το φίλτρο αέρα σε περίπτωση βλάβης.
- 1. Ξεβιδώστε τις δύο βίδες (12/1) του καλύμματος φίλτρου αέρα (12/2) και αφαιρέστε το κάλυμμα φίλτρου αέρα.
- 2. Αφαιρέστε το φίλτρο (12/3) και βγάλτε το σε μια σκληρή επιφάνεια μέχρι να αφαιρεθεί η βρωμιά. Μην βουρτσίζετε σε εξωτερικό χώρο!
- 3. Εγκαταστήστε ξανά το φίλτρο.
- 4. Τοποθετήστε ξανά το κάλυμμα του φίλτρου αέρα και ασφαλίστε το με τις δύο βίδες.

7.3 ΑΛΛΑΓΗ ΛΑΔΙΩΝ (06, 13)

Ελέγχετε τακτικά τη στάθμη λαδιού. Ελέγξτε τη στάθμη λαδιού κάθε 5 ώρες λειτουργίας ή κάθε μέρα πριν ξεκινήσετε τον κινητήρα.

Προειδοποίηση! Κίνδυνος έκρηξης και πυρκαγιάς.

Η διαρροή καυσίμων δημιουργεί ένα εκρηκτικό μείγμα βενζίνης/αέρα. Η αποστράγγιση, η έκρηξη και η φωτιά μπορεί να οδηγήσουν σε σοβαρό, ακόμη και σε θανάσιμο τραυματισμό εάν τα καύσιμα δεν αντιμετωπίζονται σωστά.

• Αδειάστε τη δεξαμενή καυσίμου πριν στραγγίσετε το λάδι.

ΣΗΜΕΙΩΣΗ Επικοινωνήστε με την εξυπηρέτηση πελατών μας εάν δεν μπορείτε να εκτελέσετε την εργασία μόνοι σας.

Σημείωση

- Αποστραγγίστε το παλιό λάδι όταν ο κινητήρας είναι ζεστός. Το ζεστό λάδι εξαντλείται γρήγορα και πλήρως.
- Απορρίψτε το χρησιμοποιούμενο λάδι με φιλικό προς το περιβάλλον τρόπο!

ΚΙΝΗΤΗΡΑΣ 124-140 (06)

ΣΗΜΕΙΩΣΗ Η μέγιστη χωρητικότητα λαδιού του κινητήρα είναι 0,45 l.

1. Στραγγίξτε το ρεζερβουάρ καυσίμου.
2. Για να αφαιρέσετε το καύσιμο από το καρμπυρατέρ: Ξεκινήστε τον κινητήρα σε εξωτερικό χώρο και αφήστε τον να λειτουργήσει μέχρι να σταματήσει.
3. Αφήστε τον κινητήρα να κρυώσει.
4. Αφαιρέστε το μπουζί (01/5).
5. Ξεβιδώστε το δείκτη του λαδιού (03/2).
6. Εξαγάγετε το λάδι χρησιμοποιώντας μια αντλία (06/1) και στραγγίξτε το σε ένα δοχείο (06/2).
7. Γεμίστε με νέο λάδι (SAE 15W-40, 0,45 l) χρησιμοποιώντας μια κοάνη. Πλήρωση με λάδι κινητήρα (04).
8. Βεβαιωθείτε ότι το επίπεδο έχει φτάσει στο σήμα MAX (03/4).
9. Τοποθετήστε το δείκτη του λαδιού και βιδώστε σφικτά.
10. Αφαιρέστε το λάδι που έχει κυθεί.

ΚΙΝΗΤΗΡΑΣ 160 (13)

ΣΗΜΕΙΩΣΗ Η μέγιστη χωρητικότητα λαδιού του κινητήρα είναι 0,5 l.

1. Αδειάστε το ρεζερβουάρ καυσίμου.
2. Για να αφαιρέσετε το καύσιμο από το καρμπυρατέρ: Ξεκινήστε τον κινητήρα σε εξωτερικό χώρο και αφήστε τον να λειτουργήσει μέχρι να σταματήσει.
3. Αφήστε τον κινητήρα να κρυώσει.
4. Αφαιρέστε το μπουζί (08/5).
5. Ξεβιδώστε το δείκτη του λαδιού (13/2).
6. Τοποθετήστε ένα δοχείο συλλογής (13/3) για το παλιό λάδι από κάτω.
7. Γείρετε τον κινητήρα πάνω από το δοχείο συλλογής έτσι ώστε όλο το λάδι να μπορεί να στραγγίξει από το άνοιγμα πλήρωσης λαδιού (13/4).
8. Γεμίστε με νέο λάδι (SAE 15W-40, 0,5 l). Πλήρωση με λάδι κινητήρα (04).
9. Βεβαιωθείτε ότι το επίπεδο έχει φτάσει το μέγιστο (10/3) σημάδι.
10. Τοποθετήστε το δείκτη του λαδιού και βιδώστε σφικτά.
11. Αφαιρέστε το λάδι που έχει κυθεί.

7.4 ΛΕΙΤΟΥΡΓΙΑ ΤΟΥ ΜΠΟΥΖΙ (02, 09)

Τύπος μπουζί: TORCH F6RTC

Σημαντικό! Κίνδυνος βλάβης του κινητήρα.

Η λειτουργία του κινητήρα με εσφαλμένο μπουζί ή λάθος τύπο μπουζί, θα κάνει ζημιά στον κινητήρα!

• Χρησιμοποιείτε πάντα τον καθορισμένο τύπο μπουζί.

• Μην προσπαθήσετε ποτέ να ξεκινήσετε τον κινητήρα χωρίς μπουζί.

1. Ξεβιδώστε το μπουζί (02/1) ή (09/1) χρησιμοποιώντας ένα κλειδί υποδοχής.

2. Καθαρίστε το ηλεκτρόδιο (02/2) ή (09/2) χρησιμοποιώντας μια μεταλλική βούρτσα και αφαιρέστε τυχόν εναποθέσεις άνθρακα.

3. Ελέγξτε το σωστό διάκενο ηλεκτροδίου με ένα μετρητή.

Σημείωση: Το κενό ηλεκτροδίων του μπουζί πρέπει να είναι 0,6 mm – 0,8 mm.

4. Τοποθετήστε ξανά το μπουζί και σφίξτε το με ένα κλειδί υποδοχής.

Έλεγχος σπινθήρα ανάφλεξης

Προειδοποίηση! Κίνδυνος τραυματισμού από ηλεκτροπληξία. Έλεγχος του σπινθήρα ανάφλεξης, με το σπινθήρα μπορεί να προκληθεί σοβαρός τραυματισμός από ηλεκτροπληξία, ακόμα και πυρκαγιά.

• Μην ελέγχετε μόνοι σας τη λειτουργία ανάφλεξης του μπουζί. Χρησιμοποιήστε έναν ελεγκτή σπινθήρα ανάφλεξης αντ' αυτού.

7.5 ΚΑΘΑΡΙΣΜΟΣ ΚΙΝΗΤΗΡΑ

Προειδοποίηση! Κίνδυνος έκρηξης και πυρκαγιάς.

Ξένα αντικείμενα στον κινητήρα μπορεί να προκαλέσουν φωτιά στο κλοσκοπτικό. Η φωτιά μπορεί να οδηγήσει σε σοβαρούς τραυματισμούς.

• Αφαιρέστε τα εύφλεκτα υπολείμματα (π.χ. γρασίδι, φύλλα, γράσο) από τον κινητήρα, ειδικά από την επιφάνεια της εξάτμισης και του κυλίνδρου.

• Ελέγχετε και καθαρίζετε τακτικά την εξάτμιση και την επιφάνεια του κυλίνδρου.

Σημαντικό! Κίνδυνος από το νερό. Το διεισδυτικό νερό (σύστημα ανάφλεξης, εξαερωτήρας κ.λπ.) μπορεί να οδηγήσει σε δυσλειτουργίες.

• Μην ψεκάσετε τον κινητήρα με νερό.

1. Αφήστε τον κινητήρα να κρυώσει πριν τον καθαρισμό.
2. Αφαιρέτε τη βρωμιά τακτικά από τον κινητήρα με ένα πανί καθαρισμού ή με βούρτσα.
3. Ψυξήστε όλα τα απόβλητα και τα υπολείμματα βρωμιάς από την εξάτμιση και το κάλυμμά του, χρησιμοποιώντας πεπιεσμένο αέρα.
4. Καθαρίστε το σύστημα ψύξης:
 - Αφαιρέστε τα σκουπίδια από τα ανοίγματα αέρα ψύξης.
 - Για να αποφύγετε την υπερθέρμανση, καθαρίστε επίσης τα εσωτερικά πτερύγια ψύξης και τις επιφάνειες.

7.6. ΡΥΘΜΙΣΕΙΣ ΚΑΡΜΠΥΡΑΤΕΡ

ΣΗΜΕΙΩΣΗ Το καρμπυρατέρ πρέπει να ρυθμίζεται μόνο από εξουσιοδοτημένο service.

7.7. ΠΡΟΓΡΑΜΜΑ ΣΥΝΤΗΡΗΣΗΣ

Οι ακόλουθες εργασίες επιτρέπεται να εκτελούνται από το χρήστη. Όλες οι άλλες εργασίες συντήρησης, συντήρησης και επισκευής πρέπει να εκτελούνται από εξουσιοδοτημένο service. Επιπλέον, παρακαλείσθε επίσης να συμμορφώνεστε με τις συνιστώμενες ετήσιες εργασίες λίπανσης, όπως αναφέρει ο παρακάτω πίνακας.

ΣΗΜΕΙΩΣΗ Μπορεί να είναι απαραίτητα μικρότερα διαστήματα συντήρησης από αυτά που αναφέρονται στον παρακάτω πίνακα, σε περίπτωση σοβαρής φόρτωσης και υψηλών θερμοκρασιών.

8. ΕΠΙΛΥΣΗ ΠΡΟΒΛΗΜΑΤΩΝ

Προσοχή! Κίνδυνος τραυματισμού. Τα αιχμηρά και κινούμενα μέρη της συσκευής μπορεί να οδηγήσουν σε τραυματισμό.

• Να φοράτε πάντα προστατευτικά γάντια κατά τη διάρκεια εργασιών συντήρησης, φροντίδας και καθαρισμού.

ΣΗΜΕΙΩΣΗ Για δυσλειτουργίες που δεν παρατίθενται σε αυτόν τον πίνακα ή που δεν μπορείτε να επιλύσετε μόνοι σας, παρακαλούμε επικοινωνήστε με την εξυπηρέτηση πελατών μας.

9. ΜΕΤΑΦΟΡΑ

- Μεταφέρετε τον κινητήρα μόνο όταν η δεξαμενή καυσίμου είναι άδεια.
- Να μεταφέρετε πάντα τον κινητήρα οριζόντια, διαφορετικά θα συμβούν τα εξής:
- Διαρροή καυσίμων και λαδιού
- Παραγωγή καπνού
- Αρχικές δυσκολίες
- Αιθάλη στο μπουζί

10. ΑΠΟΘΗΚΕΥΣΗ

ΣΗΜΕΙΩΣΗ Τηρείτε τις οδηγίες λειτουργίας της κλοσκοπτικής μηχανής. **Προειδοποίηση!** Κίνδυνος έκρηξης και πυρκαγιάς. Η βενζίνη είναι πολύ εύφλεκτη. Η φωτιά μπορεί να οδηγήσει σε σοβαρούς τραυματισμούς.

- Μην φυλάσσετε τη συσκευή κοντά σε γυμνές φλόγες ή πηγές θερμότητας.
- Μην φυλάσσετε τη συσκευή σε χώρο στον οποίο λειτουργούν ηλεκτρικά εργαλεία. Εάν το κλοσκοπτικό

δεν χρησιμοποιείται για μεγάλο χρονικό διάστημα (περισσότερο από 2 έως 3 μήνες), το καύσιμο πρέπει να αποστραγγιστεί για να αποφευχθούν οι εναποθέσεις στο σύστημα καυσίμου. Με μικρότερη περίοδο αδράνειας, το καύσιμο μπορεί να προστατευθεί με σταθεροποιητή καυσίμου.

ΣΗΜΕΙΩΣΗ Για περισσότερες πληροφορίες: Ρωτήστε την εξυπηρέτηση πελατών.

1. Στραγγίστε το ρεζερβουάρ καυσίμου.
2. Για να αφαιρέσετε το καύσιμο από το καρμπυρατέρ: Ξεκινήστε τον κινητήρα σε εξωτερικό χώρο και αφήστε τον να λειτουργήσει μέχρι να σταματήσει.
3. Αφήστε τον κινητήρα να κρυώσει.
4. Καθαρίστε τον κινητήρα.
5. Αποθήκευση του κινητήρα:
 - Φυλάσσετε τον κινητήρα σε καλά αεριζόμενο σημείο και όχι κοντά σε γυμνές φλόγες ή πηγές θερμότητας.
 - Μην φυλάσσετε τον κινητήρα σε λειτουργία ηλεκτρικών κινητήρων ή ηλεκτρικών εργαλείων.
 - Φυλάσσετε προστατευμένο από την υγρασία.

ΠΡΟΣΤΑΣΙΑ ΠΕΡΙΒΑΛΛΟΝΤΟΣ

Ανακυκλώστε τις πρώτες ύλες αντί να απορρίπτονται ως απόβλητα. Το εργαλείο, τα αξεσουάρ και η συσκευασία πρέπει να ταξινομούνται για φιλική προς το περιβάλλον ανακύκλωση. Αυτές οι οδηγίες εκτυπώνονται χωρίς χλώριο. Τα πλαστικά εξαρτήματα φέρουν ετικέτα για ταξινόμηση ανακύκλωσης.

ΕΓΓΥΗΣΗ

Αυτό το προϊόν είναι εγγυημένο σύμφωνα με τους νομικούς κανονισμούς, που ισχύουν από την ημερομηνία αγοράς από τον πρώτο χρήστη. Οι ζημιές που οφείλονται στην φυσιολογική φθορά, υπερφόρτωση ή ακατάλληλο χειρισμό εξαιρούνται από την εγγύηση. Σε περίπτωση απάτησης, στείλτε το εργαλείο, πλήρως συναρμολογημένο, στον αντιπρόσωπό σας ή στο εξουσιοδοτημένο σέρβις για ηλεκτρικά εργαλεία.

ΣΥΝΤΗΡΗΣΗ							
ΕΙΔΟΣ Εκτέλεση σε κάθε υποδεικνυόμενο χρονικό διάστημα μήνα ή ώρας λειτουργίας, όποιο από τα δύο επέλθει πρώτο		Πριν από κάθε χρήση	Πρώτος μήνας ή 5 Ώρες	Κάθε 3 μήνες ή 25 Ώρες	Κάθε 6 μήνες ή 50 Ώρες	Κάθε χρόνο ή 100 Ώρες	Κάθε 2 χρόνια ή 250 Ώρες
Λάδι μηχανής	Έλεγχος	Ο					
	Αντικατάσταση		Ο		Ο		
Φίλτρο αέρα	Έλεγχος	Ο					
	Αντικατάσταση			Ο			
Μπουζί	Έλεγχος-ρύθμιση					Ο	
	Αντικατάσταση						Ο
Δοχείο & φίλτρο καυσίμων	Καθαρισμός					Ο	
Σωλήνας καυσίμων	Έλεγχος	Κάθε 2 χρόνια (αντικατάσταση αν κριθεί απαραίτητο)					
Μαχαίρι κοπής	Έλεγχος	Ο					
	Αντικατάσταση					Ο*	

* Το μαχαίρι κοπής πρέπει να αντικατασταθεί αν παρατηρηθεί ζημιά

ΕΠΙΛΥΣΗ ΠΡΟΒΛΗΜΑΤΩΝ

Πρόβλημα	Πιθανή αιτία	Προτεινόμενη λύση
Ο κινητήρας δεν εκκινεί	Ο μοχλός του γκαζιού δεν έχει ρυθμιστεί σωστά	Θέστε την επιλογή "Cold Start" για κρύο κινητήρα ή λίγο χαμηλότερα όταν είναι ζεστό
	Χωρίς ή σχεδόν χωρίς καύσιμα	Συμπληρώστε με αμόλυβδη βενζίνη το δοχείο καυσίμων
	Εξαντλημένη ακίδα μπουζί	Αντικαταστήστε με ένα συμβατό, νέο μπουζί
	Μπουζί με επικαθίσεις άνθρακα	Καθαρίστε ή αντικαταστήστε με ένα νέο μπουζί
	Αποσυνδεδεμένο μπουζί	Πατήστε ελαφρώς το κάλυμμα της πίπας του μπουζί
	Μπουκωμένος κινητήρας	Γυρίστε τον διακόπτη καυσίμων στη θέση "off", στη συνέχεια τραβήξτε το σχοινί εκκίνησης μέχρι να ξεκινήσει το χλοοκοπτικό και μετά, ανοίξτε πάλι τον διακόπτη καυσίμων
	Παλιά βενζίνη στο δοχείο	Αδειάστε το παλιό καύσιμο και αντικαταστήστε το με φρέσκο
Ο κινητήρας σταματάει συχνά	Νερό στο δοχείο καυσίμων	Επικοινωνήστε με το επίσημο service
	Μπλοκαρισμένη παροχή καυσίμου	Βεβαιωθείτε ότι ο σωλήνας καυσίμου δεν είναι τρυπημένος ή μπλοκαρισμένος
	Η τάπα καυσίμου δεν εξαερώνεται	Διασφαλίστε ότι οι 3 τρύπες στην τάπα του δοχείου καυσίμου είναι καθαρές
Ο κινητήρας χάνει ιπποδύναμη	Λάθος τύπος καυσίμου	Αδειάστε το καύσιμο και αντικαταστήστε το με νέο
	Βρώμικο φίλτρο αέρα	Καθαρίστε το ή αντικαταστήστε με νέο φίλτρο αέρα
	Λάθος ρύθμιση ύψους	Ανεβάστε πιο πάνω το μοχλό που ρυθμίζει το ύψος κοπής, για να δέχεται χαμηλότερο φορτίο ο κινητήρας
Το χλοοκοπτικό έχει δονήσεις	Μπλοκαρισμένες τρύπες εξαερισμού	Διασφαλίστε ότι οι 3 τρύπες στην τάπα του δοχείου καυσίμου είναι καθαρές
	Χαλαρό μαχαίρι κοπής	Ελέγξτε και σφίξτε τα μπουλόνια και τα παξιμάδια
	Λυγισμένο ή σπασμένο μαχαίρι κοπής	Αντικαταστήστε το μαχαίρι κοπής
	Μεγάλο φορτίο λόγω μεγάλου ύψους γρασιδιού	Ανεβάστε πιο πάνω το μοχλό που ρυθμίζει το ύψος κοπής, για να δέχεται χαμηλότερο φορτίο ο κινητήρας
	Φθαρμένο μαχαίρι κοπής	Αντικαταστήστε το μαχαίρι κοπής

ΤΕΧΝΙΚΑ ΧΑΡΑΚΤΗΡΙΣΤΙΚΑ

Κωδικός είδους	45 681	45 682	45 697	45 698
Μοντέλο	GLM 40/124 P EASY	GLM 42/124 SP EASY	GLM 46/140 SP PLUS	GLM 51/160 SP PLUS
Πλάτος κοπής	400mm	420mm	460mm	510mm
Μοντέλο μηχανής	DK1P62FE/P	DK1P62FE/P	SL140	SL160A
Κυβισμός κινητήρα	124.4 cm ³	124.4 cm ³	140 cm ³	160 cm ³
Ονομαστική δύναμη μηχανής	2,4hp	2,4hp	2,7hp	3,1hp
Σύστημα πλοήγησης	Χειροκίνητο	Αυτοκινούμενο	Αυτοκινούμενο	Αυτοκινούμενο
Χωρητικότητα δοχείου καυσίμων	0,85 L	0,85 L	0,9 L	1,2 L
Χωρητικότητα δοχείου λαδιού	0,4 L	0,4 L	0,45 L	0.5 L
Αριθμός στροφών	2850 min ⁻¹	2850 min ⁻¹	2900 min ⁻¹	2900 min ⁻¹
Χωρητικότητα δοχείου περισυλλογής	50L	50L	70 L	70 L
Ρυθμιζόμενο ύψος κοπής	20 - 68 mm / 7 ρυθμίσεις	25 - 85 mm / 7 ρυθμίσεις	25 - 70 mm / 7 ρυθμίσεις	25 - 70 mm / 7 ρυθμίσεις
Βύσμα προστασίας	/	/	Ναι	Ναι
Πλαϊνή απόρριψη	/	/	/	Ναι

SRPSKI

1. O OVIM UPUTSTVIMA ZA RAD

- Čuvajte ova operativna uputstva na sigurnom mestu u svakom trenutku kako bi mogli biti konsultovani. Ako vam je potrebno bilo kakve informacije o proizvodu.
- Samo da se proizvod prenese na druge osobe zajedno sa ovim operativnim uputstvima.
- U skladu sa informacijama o bezbednosti i upozorenju u ovim operativnim uputstvima.
- Je takođe usklađen sa ograđim operativnim uputstvima za aparat.

1.1. LEGENDE I SIGNALNE REČI

Opasnosti! Označava nepristojno opasnu situaciju koja će rezultirati fatalnom ili ozbiljnom povrede ako se ne izbegne.

Upozorenje! Označava potencijalno opasnu situaciju koja može prouzrokovati fatalnu ili ozbiljnu povredu ako se ne izbegne.

Oprez! Označava potencijalno opasnu situaciju koja može rezultirati lakšim ili umerenom povrede ako se ne izbegne.

Važno! Označava situaciju koja može prouzrokovati materijalnu štetu ako se ne izbegne.

Obratite pažnju na posebna uputstva za lakše razumevanje i rukovanje.

2. PRODUCT DESCRIPTION/ OPIS PROIZVODA

Ova dokumentacija opisuje dve varijante motora unutrašnjeg sagorevanja – u daljem tekstu se naziva "motor". Molimo vas da posmatrate korake u uputstvu koji odgovaraju vašem aparatu.

- Tehnički 124-140
- Tehnički 160

Pored toga, uvek se pridržavate operativne instrukcije kosilica u kojoj se instalira odgovarajući motor.

2.1. DESIGNATED USE/ ODREĐENA UPOTREBA

Mašina je napravljena za vožnju kosilice za privatnu upotrebu. Zbog izduvnih gasova mora da se operiše samo na otvorenom i ne u zatvorenom prostoru. Svaka upotreba koja se ne koristi u skladu sa ovom označenom upotrebom mora se smatrati zloupotrebom. Ovaj motor je namenjen isključivo za korišćenje u nekomercijalnim aplikacijama. Svaka druga upotreba (kao i neovlašćeno konvertovanje ili dodaci) smatraju se suprotnim upotrebom i dovešće do isključenja garancije kao i gubitka usaglašenosti (CE Mark); proizvođač će tako odbiti odgovornost za štetu i/ili povrede koje su pretrpeli korisnici ili treće strane.

2.2. IDENTIFIKACIJA (01, 08)

Ne.	KOMPONENTA
1	inicijal za otvaranje uljlera
2	poklopac za vazdušnu filter
3	rezervoaru za gorivo
4	Starter regulator
5	iskra priključak za spajanje
6	Bukovo dugme

3. BEZBEDNOSNA UPUTSTVA

Opasnosti! Opasnost od fatalne povrede i opasnosti od izuzetno teške povrede!

Nedostatak znanja o sigurnosnim instrukcijama i uputstvima za rad može dovesti do izuzetno ozbiljnog, pa čak i fatalna povreda.

- Posmatraju sva sigurnosna uputstva i uputstva za korišćenje u ovim operativnim instrukcijama, kao i operativne instrukcije koje se nazivaju pre nego što počnete da koristite aparat.
- Čuvajte sve dostavne dokumente na sigurnom mestu za buduću referencu.
- Rizik od trovanja Mašinsko izduvnim gasovima sadrži ugljen-monoksid koji može da ubije osobu za nekoliko minuta. Posmatrajte sledeće ili tokom upotrebe:
- Upravljaj motora samo na otvorenom, nikada u zatvorenim prostorijama.
- Ne se ne nalaze u vidu izduvnih gasova motora.
- Isključite motor ako se osećate mučno, vrtoglavno ili slabo kada koristite ovaj aparat.
- Koristi motor samo ako je u savršenom tehničkom stanju.
- Nemojte onemogućiti sigurnosne i zaštitne uređaje.
- Nose braniocce iz EAR-a.
- Pažljivo čitate i pratite ova operativna uputstva i operativne instrukcije za kosilicu u kome je ovaj motor instaliran. Naučite kako da brzo zaustavite mašinu.
- Ne koristite startni sprejevi ili slično.

3.1. OPERATOR

- Mladi ljudi ispod 16 godina starosti i ljudi koji ne znaju da operativna uputstva nisu dozvoljena za korišćenje motora. Posmatrajte sve bezbednosne propise specifične za zemlju koje se tiču minimalnog starosti korisnika.
- Ne upravlja motorom ako ste pod uticajem alkohola, lekova ili lekova.

3.2. BEZBEDNOST LICA, ŽIVOTINJA I IMOVINE

- Koristite motor samo kao što je predviđeno. Svaka nepredviđena upotreba može dovesti do povrede i oštećenja imovine.
- Korisnik je odgovoran za nesreće koje uključuju druge ljude i njihovu imovinu.
- Drži treće strane iz oblasti opasnosti.
- Samo prebacivanje motora kada nema osoba ili životinja u radnom prostoru.

- Održavate bezbedno rastojanje prema osobama ili životinjama, ili isključite motor ako se osobe ili životinje približavaju.
- Nikad ne usmeravajte izduvni mlazni avion motora prema osobama i životinjama ili prema zapaljivim proizvodima i objektima.
- Ne dolazi do vakuuma i ventilacija kada motor radi. Do povreda može doći zbog rotirajući delova za aparat.
- Uvek isključuje motor kada nije u upotrebi, npr. prilikom promene radnog prostora, tokom servisiranja i održavanja, i prilikom popunjavanja mešavine benzina/ulja.
- Ne upravlja motorom u slabo ventilirane radne oblasti (npr. garaža). Izduvni gasova sadrže otrovne ugljenoksid, kao i druge štetne supstance.
- Odmah isključite motor ako postoji nesreća u cilju izbegavanja daljih povreda i/ili oštećenja imovine.
- Nikada ne upravlja motora sa istrošenih ili neispravnim delovima. Istrošeni ili neispravni delovi mogu izazvati ozbiljne povrede.
- Samo koristi Genuine rezervni delovi i originalna oprema.
- Čuvajte motor od domašaja dece.
- Ne dozvoljavajte deci i adolescentima da igraju sa motorom.

3.3. RUKOVANJE BENZINOM I NAFTOM

- Rizik od eksplozije i požara: Bežali od mešavine benzina i vazduha može izazvati eksplozivnu atmosferu. Smrt, eksplozija i vatra mogu dovesti do ozbiljnih i čak fatalnih povreda ako gorivo nije ispravno obrađeno. Posmatrajte sledeće:
- Ne puše kada se radi o Petrol-u.
- Samo gorivo iz vrata i nikada nije u zatvorenom prostoru.
- Je od suštinskog značaja da se uzme u vidu kodeks ponašanja navedenog ispod.
- Samo transport i skladištenje benzina i ulja u kontejnerima odobrenim u tu svrhu. Osigurati da deca nemaju pristup uskladištenom benzinsku i ulju.
- U cilju izbegavanja kontaminacije (zaštite životne sredine) prilikom popunjavanja, osigurati da nijedan benzin ili nafta ne ulaze u zemlju. Koristite dimnjak za punjenje.
- Nikada ne puniti aparat u zatvorenom prostorima. Zapaljenje benzina može se okupiti na nivou zemlje i time dovesti do naglog prikupljanja ili čak i eksplozije.
- Odmah brišite sva prosula goriva sa aparata i tla. Dozvolite da se tekstil koristi za brisanje benzina da bi se osušio u dobro provišenom mestu pre nego što ih je otpočeo. U suprotnom, može doći do iznenadnog samouništenja.
- Ako je Petrol prosula, dolazi do vapača benzina. Iz tog razloga ne pokrećete mašinu na istoj lokaciji i pomerite ga najmanje 3 metra dalje.
- Izbegavajte dodir kože sa mineralnim naftnim proizvodima. Nemojte inhelid da se Petrol. Prilikom popunjavanja uvek nosi zaštitne rukavice. Redovno menjanje i čista zaštitna odeća.
- Uverite se da vaša odeća ne dolazi u kontakt sa benzinom. Ako je benzin stigao na odeću, odmah

ga promijenite.

- Nikada ne ispunite aparat dok je motor aktivan ili vruć.

4. POKRETANJA

Napomena pre pokretanja:

- Uvek izvodi vizuelni ček. Ne radite na motoru ako su radni i/ili pričvršćeni delovi labavi, oštećeni ili nošni.
- Obavezno dodajte motornu ulje.

4.1. PROVJERI OPŠTE STANJE MOTORA

1. Proverite mašinu za:

- Znaci curenje nafte ili benzina na eksterijer i podstrani motora.
- Prekomerna prljavština ili strana tela
- Pokazatelji oštećenja
- Pregled svih ludaka, šrafova i šrafova
- Čvrsto uređenje i prisustvo svih ekrana i pokričača
- Oštećenja ili kontaminacija vazdušnog filtera
- Nivo goriva
- Nivo ulja na motoru

2. Eliminirajte sve identifikovane nedostatke pre pokretanja.

4.2 PUNJENJE GORIVA

Upozorenje! Opasnost od eksplozije i požara.

Benzin i nafta su vrlo zapaljivi. Vatra može da dovede do ozbiljnih povreda.

- Isključivo gorivo i ulje na otvorenom i nikada u blizini gola plamena ili izvora toplote.
- Odmah obnavljanje rezervoara ili rezervoara ako bude oštećen.
- Uvek zatvara poklopac rezervoara čvrsto.
- Da li je Petrol izlila:
- Ne pokreću motor.
- Izbegavajte početak pokušaja.
- Čišćenje kosilica i motora.
- Prosula gorivo može dovesti do oštećenja plastičnih delova: odmah brisanje goriva. Ova garancija ne pokriva oštećenje plastičnih delova prouzrokovanih gorivom.

4.2.1. PROVJERAVANJE NIVOA ULJA (03, 10)

Važno! Opasnost od oštećenja motora. Nizak nivo nafte može izazvati oštećenja motora.

- Proverite nivo nafte u pravilnim intervalima.
- Ako je nivo nizak, na vrhu sa čistim uljem.

TECH 124-140 (03)

1. zaustavite mašinu i pustite da se ohladi.

Napomena: motor mora biti nivo.

- uklonite sva strana tela koja formiraju ostatak otvaranja naftne fillera.
- razmazite ulje na ulju (03/1) od otvaranja naftnog fillera (03/2) i brišite ga čistim.
- ubacite "ulje na lom" (03/1) u otvaranje naftnog fillera (03/2) do CAP-a, dok se ne poveže sa otvaranjem vrata (nemojte zabrljati) i ponovo ga ukloniti.
- Proverite da li je nivo između MIN (03/3) i MAX (03/4) znakova.
- kada je nivo ulja blizu ili ispod znaka za minimum (03/3): sa naftom vidi poglavlje 4.2.2 "punjenje

mašine za motorno ulje (04, 11) "

7. ubacite ulje i čvrsto se držite.
8. uklonite sva prosula ulja.

TECH 160 (10)

1. zaustavite mašinu i pustite da se ohladi.

Napomena: motor mora biti nivo.

2. uklonite sva strana tela koja formiraju ostatak otvaranja naftne fillera.
3. razmazite ulje na ulju (10/1) od otvaranja naftnog fillera (10/2) i brišite ga čistim.
4. ubacite "ulje u ulju (10/1)" u otvaranje naftnog fillera (10/2) do CAP-a Otvaranje vrata (nemojte zabrljati) i ponovo ga ukloniti.
5. Proverite da li je nivo između MIN (10/3) i MAX (10/4) znakova.
6. kada je nivo ulja blizu nivo ili ispod znaka za minimum (10/3): sa naftom vidi poglavlje 4.2.2 "punjenje mašine za motorno ulje (04, 11) "
7. ubacite ulje i čvrsto se držite.
8. uklonite sva prosula ulja.

4.2.2. PUNJENJE MOTORNIM ULJEM (04, 11)

Preporuke za naftu

Motorno ulje je odlučujući faktor za izvođenje i trajanje motora.

- Koristite ulje za deterđent motora koji zadovoljava zahteve za API-u klasa usluge (ili ekvivalentna).
- Proverite oznaku API usluge na kontejneru nafte da biste bili sigurni da su prisutni slova "SF" ili "veće" (ili ekvivalentna) klasa.
- SAE 15W-40 se preporučuje za opštu upotrebu.
- Preporučena Operativna temperatura ovog ulja je 5 °C do 38 °C.

Važno! Opasnost od oštećenja motora.

- Korištenje SAE 15W-40 ulja (monogradna ljetno ulje) na temperaturi manjim od + 5 °C može izazvati oštećenja motora zbog nedovoljne podmazivanja.
- Korišćenje SAE 15W-40 za temperaturno raspon od 0 °C do 40 °C.
- Korišćenje viševolumenih ulja može rezultirati većom potrošnjom na višim temperaturama. Stoga proverite nivo nafte češće.
- Ne mešaju se ulja različitih razreda sa različitim osobinama.

Punjenje sa naftom

Napomena ne popunjavate nivo ulja iznad MAX. Previše ulja će izazvati:

- Dim u izduvnom
- Kontaminacija iskra ili vazdušnog filtera

TECH 124-140 (04)

Obratite pažnju na kapacitet ulja za motor je Max. 0,45 l.

1. puniti motorno ulje u odgovarajući kontejner.
2. skinuti štap za ulje (04/1) od otvaranja naftnog fillera (04/2).
3. da dodamo ulje sporo i u malim količinama, kao i da se koristi dimnjak.
4. Umetnite i zaključajte ulje za uljanje ulja.
5. uklonite sva prosula ulja.

TECH 160 (11)

Obratite pažnju na kapacitet ulja za motor je Max. 0,5 l.

1. puniti motorno ulje u odgovarajući kontejner.
2. skinuti štap za ulje (11/1) od otvaranja naftnog fillera (11/2).
3. dodati ulje sporo i u male količine u otvaranje naftnog fillera.
4. ubacite ulje i čvrsto se držite.
5. uklonite sva prosula ulja.

4.2.3. PUNJENJE BENZINA (01, 08)

Preporuke vezane za Petrol

- Koristi čist, svež, bescarinski benzin sa minimalnim octanskom ocenom 90.
- Kupovina goriva u količinama koje mogu da se konzumiraju u roku od 30 dana.
- Benzin sa do 10 odstoto etanola je prihvatljiv.
- Nemojte mešati benzin sa naftom.
- Samo pokreće i dozvoljava da se motor pokrene na otvorenom.

Punjenje benzina

1. uklonite poklopac rezervoara (01/3) ili (08/3).
2. napuniti rezervoar do donje ivice cevi ulja. Nemojte popunjavati.
3. zavrtite poklopac rezervoara (01/3) ili (08/3) na čvrsto.

5. RAD MOTORA

Za dodatne informacije: pogledajte uputstvo za rad lawnmower.

Opasnost! Rizik od trovanja. Mašinsko izduvnom gasovima sadrži ugljen-monoksid koji može da ubije osobu za nekoliko minuta.

- Samo startujemo i operišu motor u otvorenom vazduhu.
- Nikada ne upravlja motorom u zatvorenim područjima čak i sa otvorenim prozorima i vratima.
- Ne se ne nalaze u vidu izduvnih gasova motora.
- Isključite motor ako osetite mučno, vrtoglavicu ili slabe tokom upotrebe. Odmah Konsultujte lekara.

Upozorenje! Opasnost od eksplozije i požara.

Benzin i nafta su vrlo zapaljivi. Vatra može da dovede do ozbiljnih povreda.

- Nikada ne koristite Starter Spaj ili slično.

Upozorenje! Opasnost od opekotina. Motori su veoma topli u akciji!

- Nikada ne dodirujete delove motora, a posebno iscrpljujete.
- Dozvolite da se iscrpljuje, cilindrični i hladjenje, da se ohladi pre kontakta.

Upozorenje! Opasnost od rotirajućih delova za aparat! Ulazak u rotirajući aparat dijelovi će rezultirati ozbiljnim povredama!

- Nikada ne doseju na Rotirajući deo.
- Pre nego što počnete da koristite motor, posmatrajte operativne instrukcije za aparat.
- Samo pokreće i dozvoljava da se motor pokrene na otvorenom.
- Ne upravlja motora u nagradom sa uglom od više od 15 °.
- Samo pokreće motor u horizontalnom položaju.
- Ne naginjete mašinu do sada sa strane da gorivo izlazi iz CAP-a za gorivo.
- Proverite nivo nafte.

- Vežite dugu kosu i uklonite nakit.
- Ne nose labavu odeću.
- Nose čvrste, neslip cipele.
- Nemojte menjati osnovnu postavku motora ili preko-Rev.
- Drži sigurnosni razmak pri startu.
- Isključuje motor i dopušta da se ohladi pre nego što ukloni poklopac rezervoara.
- Isključite motor, dozvolite mu da se hladi i uklone iskra kabl pre provere, čišćenja ili rada na mašini ili mašini.
- Sačekajte dok se motor ne ohladi dovoljno pre nego što dotakne rebra zaštitne stambene kuće.
- Ne rotiraju motor bez iskrvarivanja.

5.1. POKRETANJE I ZAUSTAVLJANJE MOTORA (01, 08)

Napomena posmatrajte operativne instrukcije za kosilica. Imajte na umu da motor ima fiksnu postavku gasa.

Kontrola brzine nije moguća.

Pokretanje motora

Oprez! Rizik povrede! Opasnost od kuglu:

Početni kabl može brže da se vrati u mašinu nego što je kabl moguće izdati.

- Predviđaju iznenadni nagon kada se povukao početni kabl.

Beleške

- Korišćenje bukta nije neophodno za ponovno pokretanje motora koje je već bilo toplo.
- Klik na polje "bukova" (01/6) ili (08/6) 3x, u intervalima od oko 2 sekunde. Na temperaturama ispod 10 °C, pritisnite primer 5x.
- Povucite startni kabl (01/4) ili (08/4), a zatim joj dozvolite da se polako vraća.

Sa pokrenom motora:

- Čuvajte ruke i noge od bilo kog rotirih delova.
- Čuva zapaljive predmete od izduvnih i cilindara.
- Dozvolite da se iscrpljuje, cilindrični i hladjenje, da se ohladi pre kontakta.

Prebacujem sa motora

- Posmatraju operativne instrukcije za kosilicu.

6. POPRAVI

Upozorenje! Rizik povrede tokom popravke. Neppravilne popravke mogu dovesti do ozbiljnih povreda i oštećenje aparata.

- Popravni rad može izvršiti samo Ovlašćena služba.
- Samo originalni rezervni delovi su dozvoljeni.

7. ODRŽAVANJE I NEGA

Upozorenje! Opasnost od povrede. Nenamerno prebacivanje motora može dovesti do ozbiljnih povreda.

- Pre postavljanja, održavanja i popravke, uvek isključujte motor i osigurajte se protiv ponovnog prebacivanja.
- Redovno održavanje je od suštinskog značaja za sigurnost i održavanje performansi.
- Posmatraju plan održavanja.
- Za korišćenje pod zahtevnijim uslovima, potrebno je češće održavanje.

1. pre svih radova na održavanju i čišćenju: Uklonite "iskra priključak za spajanje (01/5)" iz iskra.
2. izvođenje radova na održavanju i čišćenju opisan u

ovom odeljku u skladu sa plan održavanja.

3. nakon održavanja i čišćenja: ponovno Prilaganje (01/5) iskra.

7.1. Pomera motor (07, 14)

1. nagib motora tako da se iskra (07/1, 14/1) suočava sa navije.

7.2. ČIŠĆENJE VAZDUŠNOG FILTERA (05, 12) TECH 124-140 (05)

- Čisti vazdušni filter redovno.

- Zamena vazdušnog filtera ako je oštećen.

1. uklonite poklopac sa filterom za vazduh (05/1) pritiskajući kartice za zaključavanje (05/2) i uklanjajući poklopac sa filterom vazduha.

2. uklonite filter (05/3) i Sklonite ga u odnosu na tešku površinu dok se ne ukloni prašina. Ne Perite se!

3. ponovo instalirajte filter.

4. da biste ponovo pokrili poklopac vazdušnog filtera i zatvorili ga, clipping na karticama za zaključavanje.

***Pažnja:** poklopac od 124 motora se otvara horizontalno

TECH 160 (12)

- Čisti vazdušni filter redovno.

- Zamena vazdušnog filtera ako je oštećen.

1. otključati dva šrafova (12/1) sa korice za vazdušni filter (12/2) i uklonite poklopac za vazdušnu filter.

2. uklonite filter (12/3) i Sklonite ga u odnosu na tešku površinu dok se ne ukloni prašina. Ne Perite se!

3. ponovo instalirajte filter.

4. prilagodite filter vazduha i osigurajte ga sa dve šrafove.

7.3. PROMENA NAFTE (06, 13)

Redovno proverite nivo ulja. Proverite nivo nafte svakih 5 radno vreme ili svaki dan pre pokretanja motora.

Upozorenje! Opasnost od eksplozije i požara.

Bežeći od goriva stvara eksplozivnu mešavinu benzina/vazduha. Smrt, eksplozija i vatra mogu da dovedu do ozbiljne i čak fatalne povrede ako gorivo nije ispravno obrađeno.

- Je ispraznio rezervoar goriva pre nego što je isplali ulje. Obratite pažnju na naš Korisnički servis ako ne možete sami da izvršite posao.

Beleške

- Odvod starog ulja kada je motor topao. Toplo ulje se odvija brzo i u potpunosti.

- Rashodovanja polovne nafte na Eko-Friendly način!

Tech 124-140 (06)

Obratite pažnju na kapacitet ulja za motor je Max. 0,45 l.

1. iscedite rezervoar za gorivo.

2. da biste uklonili gorivo sa karburtora: započinite motor na otvorenom i pustite ga da se pokrene dok se ne zaustavi.

3. omogućavaju da se motor smiri.

4. uklonite priključak za iskra (01/5).

5. razmazite ulje sa uljem (03/2).

6. izdvojite ulje koristeći pumpu (06/1) i iscedite ga u kontejner (06/2).

7. popunite novo ulje (SAE 15W-40, zapremina: 0,45

- l) koristeći dimnjak. Punjenje motora mašine (04).
8. Proverite da li je nivo dostigao MAKSIMALAN (03/4) znak.
 9. ubacite ulje i čvrsto se držite.
 10. uklonite sva prosula ulja.

TECH 160 (13)

Obratite pažnju na kapacitet ulja za motor je Max. 0,5 l.

1. iscedite rezervoar za gorivo.
2. da biste uklonili gorivo sa karburatora: započnite motor na otvorenom i pustite ga da se pokrene dok se ne zaustavi.
3. omogućavaju da se motor smiri.
4. uklonite priključak za iskra (08/5).
5. razmazite ulje sa uljem (13/2).
6. postavite kontejner za prikupljanje (13/3) za staro ulje ispod.
7. naginjite motor preko kontejnera za prikupljanje da bi sva ulja mogla da se isprazni od otvaranja naftnog fillera (13/4).
8. unesite novo ulje (SAE 15W-40, zapremina: 0,5 l). Punjenje motora mašine (04).
9. Proverite da li je nivo dostigao MAKSIMALAN (10/3) znak.
10. ubacite ulje i čvrsto se držite.
11. uklonite sva prosula ulja.

7.4. SERVISIRANJE ISKRA (02, 09)

Propisni tip priključka: BAKLJA F6RTC

Važno! Opasnost od oštećenja motora.

Rad motora sa neispravnim varkom ili bez svećice rezultiraće ozbiljnim oštećenje motora!

• Uvek koristi navedene tip vrste "Iskra".

• Nikada ne trudite se da pokrenete motor bez Svećica.

1. Raznesite iskra (02/1) ili (09/1) koristeći francuski ključ.
2. očistite elektrode (02/2) ili (09/2) koristeći metalnu četku i uklonite sve depozite.
3. Proverite tačan elektrode razmak sa pravilnim merom.

Note: elektrode Gap iskra bi trebalo da bude 0,6 mm – 0,8 mm.

4. ponovo ubacite svećice i stegnuti ga pomoću poključa priključka.

Kontrola paljenja

Upozorenje! Opasnost od povrede električnog šoka. Proveravaš iskru sa iskra

Plug (priključivanje) može prouzrokovati ozbiljnu povredu električnog udara i požara.

• Nikada ne proverite funkciju paljenja sa iskrmom. Umesto toga koristite tester za paljenje.

7.5. ČIŠĆENJE MOTORA

Upozorenje! Opasnost od eksplozije i požara.

Inostrani predmeti na motoru mogu da dovedu do požara. Vatra može da dovede do ozbiljnih povreda.

• Uklanjanje zapaljiv ostataka (npr. trave, lišće, masti) sa motora, posebno iz oblasti izduvnih i cilindena.

• Proveravajte i očistite izduvno i cilindrični prostor.

Važno! Opasnost od vode. Procena voda (sistem za paljenje, karburator i Dr.) može da dovede do malfunkcija.

• Ne prskali motore sa vodom.

1. dozvoljava mašini da se hladi pre čišćenja.

2. redovno ukloni kontaminaciju sa motora, sa tkaninom ili četkom za čišćenje.

3. Raznesite sve ostatke otpadnog otpada i prašine od prigušja i njegove korice koristeći Kompresovan vazduh.

4. očistite sistem hlađenja:

• Uklanjanje opstrukcija od hlađenja vazduha.

• U cilju sprečavanja pregrevavanja, takođe čiste unutrašnje rashlađice i površine.

5. Obrisati plasticne delove sa vlažnim sunder i deterdženta.

7.6. POSTAVKE KARBURTORA

Obratite pažnju na karburator mora da se koriguje samo ovlašćena usluga.

7.7 PLAN ODRŽAVANJA

Korisnik može samostalno da obavlja sledeće poslove. Svi ostali poslovi održavanja, servisiranja i popravke moraju biti izvršeni u ovlašćenom servisu.

Pored toga, molimo vas da poštujuete preporučene godišnje zadatke za podmazivanje kao što je prikazano u plan za podmazivanje.

Obratite pažnju na kraće intervale održavanja koji su navedeni u tabeli ispod može biti nepohodan u slučaju teških opterećenja i visokih temperatura.

8. POMOĆ U SLUČAJU KVARA

Oprez! Opasnost od povrede. Nagli i pokretni delovi za aparat mogu dovesti do povrede.

• Uvek nose zaštitne rukavice tokom održavanja, nege i čišćenja. Napomena za malfunkcije koje nisu navedene u ovoj tabeli ili koje ne možete da rešite sami, obratite se našoj korisničkoj službi.

9. TRANSPORT

• Transport motora samo kada je rezervoar za gorivo prazno.

• Uvek prevozi motor po horizontali, u suprotnom će se dogoditi sledeće:

• Curenje goriva i ulja

• Generacija dima

• Početak poteškoća

• Soot na izazovu

10. SKLADIŠTENJE

Napomena posmatrajte operativne instrukcije za kosilica.

Upozorenje! Opasnost od eksplozije i požara.

Benzin i nafta su vrlo zapaljivi. Vatra može da dovede do ozbiljnih povreda.

• Nemojte uskladištiti aparat blizu golog plamena ili izvora toplote.

• Nemojte uskladištiti aparat u prostoriji u kojoj se upravlja električnim alatima.

Ako se kosilica ne koristi dugo vremena (duži od 2 do 3 meseca), gorivo se mora istrošiti da bi se izbeglo depozit u sistemu goriva. Sa kraćim periodom mirovanja gorivo može biti zaštićeno stabilizatorom goriva. Napomena za više informacija: pitajte korisničku službu.

1. iscedite rezervoar za gorivo.

2. da biste uklonili gorivo sa karburatora: započnite

motor na otvorenom i pustite ga da se pokrene dok se ne zaustavi.

3. omogućavaju da se motor smiri.

4. očistite motor.

5. skladištenje motora:

- Uskladištite motor u dobro ventilativnu lokaciju, a ne u blizini gola plamena ili izvora toplote.
- Nemojte uskladištiti mašinu na kojoj se upravlja električnim motorima ili alatima za napajanje.
- Prodavnica zaštićena od vlage.

ZAŠTITA ŽIVOTNE SREDINE

Reciklirajte sirovine umesto odlaganja na otpad. Mašinu, pribor i ambalažu treba razvrstati za ekološku reciklažu. Plastične komponente su označene za kategorizovanu reciklažu.

GARANCIJA

Za ovaj proizvod se daje garancija u skladu sa zakonskim/lokalnim propisima i ona važi od datuma kupovine od strane prvog korisnika. Oštećenja koja se mogu pripisati normalnom habanju i trošenju, preopterećenju ili nepravilnom rukovanju biće isključena iz garancije. U slučaju reklamacije, pošaljite mašinu, kompletno sastavljenu, vašem prodavcu ili servisnom centru za električne alate.

PERIOD KONCENTRACIJE USLUGE

TIP Izvršenju u svakom naznačnom periodu meseca ili vremena rada, šta god se dešava pre		Pre svake upotrebe	Prvi mesec ili 5 sati	Svaka 3 mjeseca ili 25 sati	Svaki 6 mjeseci ili 50 sati	Svake godine ili 100 sati	Svake dve godine ili 250 sati
Motorno ulje	Proverite	○					
	Zamenu		○		○		
Filter zraka	Proverite	○					
	Zamenu			○			
Iskra	Kontrola-Podešavanje					○	
	Zamenu						○
& Filter za gorivo	Iližjenje					○	
Cevi za gorivo	Proverite		Svaka 2 godine (zamena ako je potrebno)				
Oštrica	Proverite	○					
						○*	

* Oštrica bi trebalo da bude zamenjena ako se poštuje neka oštećenja

BRZO PUCANJE NA MUKE

Problem	Mogući uzrok	Preporučeno rešenje
Motor nije aktiviran	polna poluga nije ispravno podešena	Postavljanje opcije za hladno pokretanje na hladno ili malo niže kada je vruće
	bez goriva	Napuni rezervoar za gorivo sa bezolovnim benzinom
	iscrpljena iskra	Zamijeni sa kompatibilnim, novom varkom
	prljava iskra	čist ili zamenjen novim varnim dodatkom
	veza prekinuta	malo pritiski poklopac terminala
	poplavljena mašina	Isključi gorivo u "off", a onda povuci startni konopac dok se ne pokrene kosilica, a onda Uključi gorivo
	stari benzin u kontejneru	iscedite starije gorivo i zamenite novim bezolovnim
	voda u rezervoaru za gorivo	Obratite se ovlašćenom servisu
Motor se često zaustavlja	blokirani dovod goriva	Uverite se da cijev za gorivo nije tačno ili blokirano
	rezervoar za gorivo ne radi	Možda je potrebno da malo popustiti rezervoar sa gasom.
	Pogrešna vrsta goriva	iscedite rezervoar za gorivo i zamenite novim bezolovnim
Motor gubi konjinsku snagu	Prljavi vazdušni filter	čišćenje ili zamena novim filterom
	Pogrešna Postavka visine	Podešavanje poluge koja podešava visinu
	blokirane ventilacione rupe	Osigurajte da su 3 rupe u rezervoaru za gorivo čiste
kosilica ima veliku oscilaciju	skica za sečenje	διασφαλίστε ότι οι 3 τρύπες στην τάπα του δοχείου καυσίμου είναι καθαρές
	savijen ili slomljen diskovi/lamela	zameni disk/Blade
	Prekomerna trava-akumulacija prašine	čišćenje i obezbeđivanje da je regal u kolekciji čist
	istrošeni/oštećeni disk ili lamela	Zamijeni lamela

TEHNIČKE KARAKTERISTIKE

Br. art.	45 681	45 682	45 697	45 698
Model	GLM 40/124 P EASY	GLM 42/124 SP EASY	GLM 46/140 SP PLUS	GLM 51/160 SP PLUS
Širina sečenja	400mm	420mm	460mm	510mm
Model motora	DK1P62FE/P	DK1P62FE/P	SL140	SL160A
Premeštanje motora	124.4 cm ³	124.4 cm ³	140 cm ³	160 cm ³
Snaga ocenjivanja motora	2,4hp	2,4hp	2,7hp	3,1hp
Sistem jedinica	Ručni pritisak	Samohodna	Samohodna	Samohodna
Volumeni rezervoara za gorivo	0,85 L	0,85 L	0,9 L	1,2 L
Volumeni mazivih Oil rezervoara	0,4 L	0,4 L	0,45 L	0.5 L
Ocenjeno sa brzinom	2850 min-1	2850 min-1	2900 min-1	2900 min-1
Kapacitet vrećice za travu	50L	50L	70 L	70 L
Podesiva visina sečenja	20 - 68 mm / 7 faze	25 - 85 mm / 7 faze	25 - 70 mm / 7 faze	25 - 70 mm / 7 faze
Za rapljenje priključka	/	/	da	da
Pražnjenje na strani	/	/	/	da

HRVATSKI**1. INFORMACIJE O UPUTAMA ZA UPORABU**

- Kod njemačke verzije radi se o originalnim uputama za uporabu. Sve ostale jezične verzije prijevodi su originalnih uputa za uporabu.
- Ove Upute za uporabu držite na lako dostupnom mjestu kako bi vam bile pri ruci kada vam zatrebaju informacije o proizvodu.
- Proizvod predajte novom vlasniku samo s ovim Uputama za uporabu.
- Pročitajte i slijedite sigurnosne napomene i upozorenja iz ovih Uputa za uporabu.
- Slijedite priložene Upute za uporabu uređaja

1.1. OBJAŠNJENJA OZNAKA I SIGNALNIH RIJEČI

OPASNOST! Pokazuje neposrednu opasnost koja – ako se ne izbjegne – uzrokuje smrt ili tešku ozljedu.

UPOZORENJE! Pokazuje potencijalnu opasnost koja bi – ako se ne izbjegne – mogla uzrokovati smrt ili tešku ozljedu.

OPREZ! Pokazuje potencijalnu opasnost koja bi – ako se ne izbjegne – mogla uzrokovati manju ili umjerenu ozljedu.

POZOR! Pokazuje situaciju koja bi – ako se ne izbjegne – mogla uzrokovati materijalnu štetu.

NAPOMENA Posebne napomene za bolju razumljivost i rukovanje.

2. OPIS PROIZVODA

U ovoj su dokumentaciji opisane dvije varijante motora s unutarnjim sagorijevanjem – u nastavku „motor“. Slijedite radne korake koji se odnose na vaš uređaj.

- Tech 124-140
- Tech 160

Uvijek se pridržavajte i uputa za uporabu kosilice u koju je ugrađen odnosni motor!

2.1. NAMJENSKA UPORABA

Motor je predviđen kao pogon kosilica za privatnu uporabu. Zbog ispušnih plinova smije se pogoniti samo na otvorenom, a ne u zatvorenim prostorima. Drugačija uporaba izvan tih okvira smatra se nenamjenskom. Ovaj motor namijenjen je za privatnu primjenu. Svaka druga uporaba i nedozvoljene pregradnje ili ugradnje smatrat će se pogrešnom primjenom i bit će temelj za ukidanje jamstva kao i za gubitak sukladnosti (oznake CE) i odbacivanje svake odgovornosti proizvođača u odnosu na štete za korisnika ili trećih strana.

2.2. IDENTIFIKACIJA (01, 08)

Br.	DIO
1	Poklopac (s mjernom šipkom) otvora za ulijevanje ulja
2	Poklopac filtra za zrak
3	Poklopac spremnika goriva

4	Ručka pokretača
5	Utikač svječiće
6	Gumb temeljnog premaza

3. SIGURNOSNE NAPOMENE

OPASNOST! Opasnost po život i opasnost od teških ozljeda! Nepoznavanje sigurnosnih napomena i upute za rukovanje može dovesti do najtežih ozljeda, a čak i smrti.

- Prije korištenja uređaja uzmite u obzir sve sigurnosne napomene i upute za rukovanje koje se navode u ovim Uputama za uporabu te drugim uputama na koje se ovdje ukazuju.
- Svu isporučenu dokumentaciju čuvajte za buduću uporabu.
- Opasnost po život zbog trovanja Ispušni plin motora sadrži ugljični monoksid koji može ubiti čovjeka za nekoliko minuta. Prije odnosno tijekom uporabe obratite pozornost na sljedeće:
 - Motor nikada ne uključujte u zatvorenim prostorima, nego samo na otvorenom.
 - Ne udišite ispušne plinove motora.
 - Motor isključite ako kod uporabe ovog uređaja osjećate mučninu, vrtoglavicu ili slabost.
 - Motor koristite samo u tehnički besprijekornom stanju.
 - Ne isključite sigurnosne i zaštitne uređaje.
- Nosite zaštitu za sluh.
- Pažljivo pročitajte i slijedite smjernice iz Uputa za uporabu i uputa za uporabu kosilice u koju je ugrađen ovaj motor. Naučite brzo ugasiti motor.
- Nemojte koristiti sprejeve za pokretač ili slična sredstva.

3.1. KORISNIK

- Osobe mlađe od 16 godina ili osobe koje nisu upoznate s uputama za uporabu ne smiju koristiti motor. Uzmite u obzir postojeće nacionalne sigurnosne propise koji određuju minimalnu dob korisnika.
- Motor ne pogonite pod utjecajem alkohola, droga ili lijekova.

3.2. SIGURNOST LJUDI, ŽIVOTINJA I IMOVINE

Motor koristite samo u skladu s namjenom.

Nenamjenska uporaba može prouzročiti ozljede i oštećenja imovine.

- Korisnik je odgovoran za nesreće drugih osoba i njihovu imovinu.
- Ostale osobe udaljite iz područja opasnosti.
- Uključite motor samo kada se u radnom području ne nalaze osobe ni životinje.
- Održavajte sigurnosni razmak od ljudi i životinja ili isključite motor ako mu se približavaju ljudi i životinje.
- Ispušni mlaz motora nikada ne okrećite prema ljudima i životinjama, kao ni prema zapaljivim proizvodima i predmetima.
- Nikada ne hvatajte rešetke za usis i ventilaciju dok motor radi. Rotirajući dijelovi uređaja mogu uzrokovati ozljede.
- Motor uvijek isključite kada ga ne trebate, npr. kod

promjene radnog područja i radova održavanja i čišćenja te prilikom punjenja mješavinom benzina i ulja.

- Motor nemojte pogoniti u slabo prozračanim radnim područjima (npr. garaži). Ispušni plinovi sadrže otrovan ugljični monoksid i druge štetne tvari.
- Odmah isključite motor kada se dogodi nezgoda kako biste izbjegli daljnje ozljede i materijalnu štetu.
- Motor nikada ne koristite s istrošenim ili neispravnim dijelovima. Dotrajali ili neispravni dijelovi mogu izazvati teške ozljede.
- Koristite samo originalne rezervne dijelove i pribor.
- Motor držite izvan dohvata djece.
- Uputite djecu i mlade da se ne igraju motorom.

3.3. RUKOVANJE BENZINOM I ULJEM

- Opasnost od eksplozije i požara: Ispuštanjem mješavine benzin-zrak nastaje eksplozivna atmosfera. Brzo sagorijevanje, eksplozija i požar pri nepropisnom rukovanju s gorivom mogu dovesti do ozbiljnih ozljeda pa čak i smrti. Uvažite sljedeće:
 - Nemojte pušiti dok rukujete s benzinom.
 - Benzinom rukujte samo na otvorenom i nikada u zatvorenim prostorima.
 - Obavezno poštujte pravila ponašanja navedena u nastavku.
 - Benzin i ulje transportirajte i skladištite samo u za to odobrenim spremnicima. Osigurajte da djeca nemaju pristup spremjenom benzinu i ulju.
 - Da biste izbjegli onečišćenje tla (zaštita okoliša), uvjerite se da benzin ili ulje ne prodiru u zemlju tijekom punjenja gorivom. Pri punjenju spremnika upotrijebite lijevak.
 - Uređaj nikada ne puniti gorivom u zatvorenom prostoru. Na podu može doći do akumulacije benzinskih para, što može dovesti do eksplozivne vatre ili eksplozije.
 - Sa uređaja i tla odmah obrišite proliveno gorivo. Pustite da se tekstil kojim ste obrisali benzin osuši na dobro prozračenom mjestu prije nego što ga spremite. U protivnom može doći do iznenadnog samozapaljenja.
 - Ako ste proliili benzin, stvaraju se pare benzina. Stoga nemojte motor pokrenuti na istome mjestu, već najmanje 3 m dalje.
 - Izbjegavajte doticaj kože s proizvodima mineralnog ulja. Nemojte udisati pare benzina. Uvijek pri punjenju gorivom nosite zaštitne rukavice. Redovito mijenjajte zaštitnu odjeću.
 - Pazite na to da vaša odjeća ne dolazi u kontakt s benzinom. Ako benzin dospje na vašu odjeću, odmah je zamijenite.
 - Uređaj nikada nemojte puniti gorivom dok motor radi ili je vruć.

4. PUŠTANJE U RAD

NAPOMENA Prije uključivanja:

- Uvijek izvršite vizualnu provjeru. Motor se ne smije koristiti s labavim, oštećenim ili istrošenim pogonskim i/ili pričvrsnim dijelovima.
- Obvezno ulijte motorno ulje.

4.1. Provjerite opće stanje motora

1. Kod motora provjerite sljedeće:

- Znakove propuštanja ulja ili benzina na vanjskoj i donjoj strani motora
- Prekomjerna prljavština ili strana tijela
- Znakovi oštećenja
- Čvrsto nalijeganje svih vijaka i matica
- Čvrsto nalijeganje i prisutnost svih zaštita i poklopaca
- Oštećenje i onečišćenje filtra zraka
- Razina goriva
- Razina motornog ulja

4.2. Uliti pogonska sredstva

UPOZORENJE! Opasnost od požara i eksplozije. Benzin i ulje imaju visok stupanj zapaljivosti. Požar može dovesti do teških ozljeda.

- Benzin i ulje ulijevajte samo na otvorenom, a ne blizu otvorenog plamena ili izvora topline.
- Odmah zamijenite oštećeni spremnik ili zatvarač spremnika.
- Poklopac spremnika uvijek čvrsto zatvorite.
- Ako je benzin iscurio:
 - Ne pokrećite motor.
 - Izbjegavajte pokušaje paljenja.
 - Očistite kosilicu i motor.
- Proliveno gorivo može dovesti do oštećenja plastičnih dijelova: Odmah obrišite gorivo. Jamstvo ne pokriva oštećenja na plastičnim dijelovima nastala zbog goriva.

4.2.1. PROVJERA RAZINE ULJA (03, 10)

POZOR! Opasnost od oštećenja motora. Niska razina ulja može oštetiti motor.

- Redovito provjeravajte razinu ulja.
- Ako je razina ulja niska, nadolijte ga.

TECH 124-140 (03)

1. Isključite motor i pričekajte da se rashladi.
Napomena: Motor mora stajati vodoravno.
2. Uklonite strana tijela iz područja ulijevanja ulja.
3. Odrvnite šipku za mjerenje razine ulja (03/1) iz otvora za ulijevanje ulja (03/2) i obrišite je.
4. Šipku za mjerenje razine ulja (03/1) stavite u otvor za ulijevanje ulja (03/2) tako da sjedne na mjesto (ne uvrtati) i ponovno izvadite.
5. Provjerite je li razina napunjenosti između oznaka MIN (03/3) i MAX (03/4).
6. Ako je razina ulja blizu ili ispod oznake MIN (03/3): Ulijevanje ulja (vidi Poglavlje 4.2.2 "Ulijevanje motornog ulja (04, 11)",).
7. Umetnite šipku za mjerenje razine ulja i učvrstite uvrtanjem.
8. Uklonite svo proliveno ulje.

TECH 160 (10)

1. Isključite motor i pričekajte da se rashladi.
Napomena: Motor mora stajati vodoravno.
2. Uklonite strana tijela iz područja ulijevanja ulja.
3. Odrvnite šipku za mjerenje razine ulja (10/1) iz otvora za ulijevanje ulja (10/2) i obrišite je.
4. Šipku za mjerenje razine ulja (10/1) stavite u otvor za ulijevanje ulja (10/2) tako da sjedne na mjesto (ne uvrtati) i ponovno izvadite.
5. Provjerite je li razina napunjenosti između oznaka

MIN (10/3) i MAX (10/4).

6. Ako je razina ulja blizu ili ispod oznake MIN (10/3): Ulijevanje ulja (vidi Poglavlje 4.2.2 "Ulijevanje motornog ulja (04, 11)",).
7. Umetnite šipku za mjerenje razine ulja i učvrstite uvrtnjem.
8. Uklonite svo proliveno ulje.

4.2.2 ULIJEVANJE MOTORNOG ULJA (04, 11)

Preporuke za ulje

Motorno ulje je ključni faktor snage i vijeka trajanja motora.

- Koristite motorno ulje sa svojstvima čišćenja, koje ispunjava zahtjeve API-servisne klase SF ili više (odnosno jednake).
- Provjerite naljepnicu API-servisa na spremniku ulja kako biste bili sigurni da sadrži slova SF ili oznake više klase (odnosno jednake).
- SAE 15W-40 se preporučuje za opću uporabu.

Preporučeno područje radne temperature ovog ulje je 5 °C do 38 °C.

POZOR! Opasnost od oštećenja motora. Uporaba ulja SAE 15W-40 (jednogradno ulje za ljetni dio godine) pri temperaturama nižima od +5 °C može uzrokovati oštećenja motora zbog nedostatnog podmazivanja.

- Upotrebljavajte SAE 15W-40 za temperaturno područje od 0 °C do 40 °C.
- Primjena višegradnih ulja pri višim temperaturama može biti uzrok većoj potrošnji. Stoga češće provjeravajte razinu ulja.
- Nemojte miješati ulja različitih sorti i svojstava.

Ulijevanje ulja

NAPOMENA Razinu ulja nemojte podizati preko oznake MAX. Previše ulja uzrokuje:

- Dim u ispušnom plinu
- Onečišćenje svjeće ili filtra zraka

NAPOMENA Količina motornog ulja je maksimalno 0,45 l.

1. Motorno ulje ulijte u prikladan spremnik.
2. Izvadite šipku za mjerenje razine ulja (04/1) iz otvora za ulijevanje ulja (04/2).
3. Ulje ulijevajte polako i u malim količinama kroz otvor za ulijevanje ulja. Po potrebi upotrijebite lijevak.
4. Umetnite šipku za mjerenje razine ulja i blokirajte je.
5. Uklonite svo proliveno ulje.

TECH 124-140 (04)

NAPOMENA Količina motornog ulja je maksimalno 0,45 l.

1. Motorno ulje ulijte u prikladan spremnik.
2. Izvadite šipku za mjerenje razine ulja (04/1) iz otvora za ulijevanje ulja (04/2).
3. Ulje ulijevajte polako i u malim količinama kroz otvor za ulijevanje ulja. Po potrebi upotrijebite lijevak.
4. Umetnite šipku za mjerenje razine ulja i blokirajte je.
5. Uklonite svo proliveno ulje.

TECH 160 (11)

NAPOMENA Količina motornog ulja je maksimalno 0,5 l.

1. Motorno ulje ulijte u prikladan spremnik.
2. Izvadite šipku za mjerenje razine ulja (11/1) iz otvora za ulijevanje ulja (11/2).
3. Ulje ulijevajte polako i u malim količinama kroz otvor za ulijevanje ulja.
4. Umetnite šipku za mjerenje razine ulja i učvrstite uvrtnjem.
5. Uklonite svo proliveno ulje.

4.2.3.ULIJEVANJE BENZINA (01, 08)

Preporuke za benzin

- Koristite čisti, svježi, bezolovni benzin minimalnog oktanskog broja 90.
- Gorivo kupujte u količinama koje možete potrošiti za 30 dana.
- Prihvatljiv je benzin s do 10 % udjela etanola.
- Nemojte miješati benzin i ulje.
- Motor pokrenite samo na otvorenom i ostavite da radi.

Ulijevanje goriva

1. Skinite poklopac spremnika (01/3) odnosno (08/3).
2. Napunite spremnik do donjeg ruba nastavka za ulijevanje. Nemojte prepuniti!
3. Ponovno čvrsto zavrtite poklopac spremnika (01/3) odnosno (08/3).

5. POGON MOTORA

Više informacija: pogledajte Upute za uporabu kosilice.

OPASNOST! Opasnost po život zbog trovanja. Ispušni plin motora sadrži ugljični monoksid koji može ubiti čovjeka za nekoliko minuta.

- Motor pokrećite i pogonite samo na otvorenom.
- Motor nikada nemojte pogoniti u zatvorenim prostorijama, čak ni ako su vrata i prozori otvoreni.
- Ne udišite ispušne plinove motora.
- Motor isključite ako osjećate mučninu, vrtoglavicu ili slabost. Odmah posjetite liječnika.

UPOZORENJE! Opasnost od požara i eksplozije. Benzin i ulje imaju visok stupanj zapaljivosti. Požar može dovesti do teških ozljeda.

- Nemojte koristiti sprejeve za pokretač ni slična sredstva.

UPOZORENJE! Opasnost od opekline.

Motori se tijekom pogona jako zagriju!

- Tijekom pogona nikada nemojte dirati dijelove motora, posebice ispušnik.
- Pričekajte da se rashladi ispuh, cilindri i rashladna rebra prije kontakta.

UPOZORENJE! Opasnost od rotirajućih dijelova uređaja! Stavljanje ruku unutar rotirajućih dijelova uređaja uzrokuje teške ozljede!

- Nikada ne stavljajte ruke u rotirajuće dijelove uređaja!
- Prije poganjanja motora pročitajte upute za uporabu uređaja.
- Motor pokrenite samo na otvorenom i ostavite da radi.
- Motor nemojte pogoniti u položaju pod nagibom većim od 15°.
- Pokrenite motor samo u vodoravnom položaju.
- Stroj nemojte naginjati previše bočno kako ne bi došlo do izlivanja goriva kroz poklopac spremnika.
- Provjerite razinu ulja.
- Vežite dugu kosu i skinite nakit.

- Nemojte nositi široku odjeću.
- Nosite čvrstu obuću otpornu na proklizavanje.
- Nemojte mijenjati osnovnu postavku motora i nemojte ga prejako pokretati.
- Kod pokretanja budite na sigurnoj udaljenosti.
- Motor isključite i pričekajte da se rashladi prije nego skinete poklopac spremnika.
- Isključite motor, pričekajte da se rashladi i skinite kabel svjeće motora prije provjere, čišćenja ili radova na stroju ili motoru.
- Prije dodirivanja rebra cilindra i zaštitne obloge pričekajte da se motor dovoljno ohladi.
- Motor nemojte pokretati bez svjeće.

5.1. POKRETANJE I ISKLJUČIVANJE MOTORA (01, 08)

NAPOMENA Slijedite Upute za uporabu kosilice!
NAPOMENA Motor ima fiksnu postavku ubrzanja. Nije moguća regulacija broja okretaja. Pokrenite motor

OPREZ! Opasnost od ozljeda! Opasnost od povratnog udara: Uže pokretača može se brže vratiti prema motoru nego što se uže pokretača može otpustiti.

- Kada povučete uže pokretača, pazite na nagli povratni trzaj.

NAPOMENA

- Prilikom ponovnog pokretanja zagrijanog motora nije potrebno upotrebljavati temeljni premaz.
- 3 puta pritisnite gumb temeljnog premaza (01/6) odnosno (08/6), u razmaku od pribl. 2 sekunde. Pri temperaturi nižoj od 10 °C pet puta pritisnite gumb temeljnog premaza.
- Uže za paljenje (01/4) odnosno (08/4) brzo izvucite i potom lagano pustite da se ponovno namota.

Dok motor radi:

- Ruke i noge nemojte stavljati blizu rotirajućih dijelova.
- Goriva strana tijela držite dalje od područja ispuha i cilindra.
- Pričekajte da se rashladi ispuh, cilindri i rashladna rebra prije kontakta. Isključivanje motora
- Slijedite priložene Upute za uporabu kosilice.

6. POPRAVAK

UPOZORENJE! Opasnost od ozljeda pri radovima održavanja. Nepravilni popravci mogu dovesti do teških ozljeda i oštećenja uređaja.

- Popravke smiju obavljati samo ovlaštena stručna poduzeća!
- Smiju se koristiti samo originalni zamjenski dijelovi.

7. ODRŽAVANJE I NJEGA

UPOZORENJE! Opasnost od ozljeda. Nehotično uključivanje motora može dovesti do teških ozljeda.

- Prije namještanja, održavanja i popravaka uvijek isključite motor i onemogućite njegovo ponovno uključivanje.
- Redovito održavanje neophodno je za sigurnost i održanje radnih sposobnosti stroja.
- Slijedite plan održavanja.
- Kod primjene u otežanim uvjetima potrebno je češće održavati uređaj.

1. Prije svih radova održavanja i čišćenja: Skinite utikač svjeće (01/5) sa svjeće.

2. Izvršite radove održavanja i čišćenja opisane u ovom poglavlju u skladu s planom održavanja.

3. Nakon radova održavanja i čišćenja: Utikač svjeće (01/5) ponovno natakните na svjeću.

7.1 NAGINJANJE MOTORA (07, 14)

1. Motor nagnite tako da svjeća (07/1, 14/1) bude okrenuta prema gore.

7.2 ČIŠĆENJE FILTRA ZRAKA (05, 12) TECH 124-140 (05)

- Redovito čistite filter zraka.

- Zamijenite oštećeni filter zraka.

1. Skinite poklopac filtera zraka (05/1) tako da pritisnete zaporne jezičke (05/2) i skinete poklopac filtera zraka.

2. Izvadite filter (05/3) i lupkajte njime po tvrdoj podlozi dok se ne ukloni sva prljavština. Nemojte četkom uklanjati prljavštinu!

3. Ponovno ugradite filter.

4. Ponovno postavite poklopac filtera zraka i zatvorite ga tako da uskoče jeziči za zatvaranje.

***Pažnja:** poklopac motora 124 otvara se vodoravno

TECH 160 (12)

- Redovito čistite filter zraka.

- Zamijenite oštećeni filter zraka.

1. Izvadite dva vijka (12/1) na poklopcu filtera zraka (12/2) te skinite poklopac filtera zraka.

2. Izvadite filter (12/3) i lupkajte njime po tvrdoj podlozi dok se ne ukloni sva prljavština. Nemojte četkom uklanjati prljavštinu!

3. Ponovno ugradite filter.

4. Ponovno postavite poklopac filtera zraka i učvrstite ga s pomoću dvaju vijaka.

7.3 ZAMJENA ULJA (06, 13)

Redovito provjeravajte razinu ulja. Provjeravajte razinu ulja svakih 5 pogonskih sati ili svakodnevno prije pokretanja motora.

UPOZORENJE! Opasnost od požara i eksplozije.

Gorivo koje curi van može formirati eksplozivnu smjesu benzina i zraka. Brzo sagorijevanje, eksplozija i požar pri nepropisnom rukovanju s gorivom mogu dovesti do ozbiljnih ozljeda pa čak i smrti.

- Prije ispuštanja ulja ispraznite spremnik goriva.

NAPOMENA Kontaktirajte našu Korisničku službu ako ne možete sami obaviti radove.

NAPOMENA

- Ispustite staro ulje dok je motor topao. Toplo ulje otječe brzo i potpuno.

- Zbrinite staro ulje na ekološki prihvatljiv način!

TECH 124-140 (06)

NAPOMENA Količina motornog ulja je maksimalno 0,45 l.

1. Ispraznite spremnik goriva.

2. Za uklanjanje goriva iz rasplinjača: Motor na otvorenom pokrenite i pustite da radi dok se ne ugasi.

3. Pustite da se motor rashladi.

4. Ođvrnite utikač svjeće (01/5).

5. Izvadite šipku za provjeru razine ulja (03/2).

6. Usisajte ulje pumpom (06/1). usisati i vratiti

u spremnik (06/2)

7. Ulijte svježe ulje (SAE 15W-40, količina punjenja: 0,45 l) pomoću lijevka (Ulijevanje motornog ulja (04)).

8. Provjerite je li razina napunjenosti dostigla oznaku MAX (03/4).

9. Umetnite šipku za mjerenje razine ulja i učvrstite.

10. Uklonite svo proliveno ulje.

TECH 160 (13)

NAPOMENA Količina motornog ulja je maksimalno 0,5 l.

1. Ispraznite spremnik goriva.

2. Za uklanjanje goriva iz rasplinjača: Motor na otvorenom pokrenite i pustite da radi dok se ne ugasi.

3. Pustite da se motor rashladi.

4. Odvrnite utikač svječiće (08/5).

5. Izvadite šipku za provjeru razine ulja (13/2).

6. Podmetnite posudu za odvajanje (13/3) starog ulja.

7. Motor nagnite preko posude za odvajanje tako da ulje potpuno iscuri iz otvora za ulijevanje ulja (13/4).

8. Ulijte svježe ulje (SAE 15W-40, količina punjenja: 0,5 l) (Ulijevanje motornog ulja (04)).

9. Provjerite je li razina napunjenosti dostigla oznaku MAX (10/3).

10. Umetnite šipku za mjerenje razine ulja i učvrstite.

11. Uklonite svo proliveno ulje.

7.4 ODRŽAVANJE SVJEČICE (02, 09)

Propisani tip svječiće: TORCH F6RTC

POZOR! Opasnost od oštećenja motora.

Rad motora s pogrešnom svjećicom ili bez svječiće uzrokuje teška oštećenja motora!

- Uvijek koristite propisani tip svječiće.

- Nikada ne pokušavajte pokrenuti motor bez svječiće.

1. Izvadite svjećicu (02/1) odnosno (09/1) s pomoću nasadnog ključa.

2. Očistite elektrode (02/2) odnosno (09/2) metalnom četkom i uklonite eventualne naslage čađe.

3. Mjernim listićem izmjerite ispravan razmak elektroda.

Napomena: Razmak elektroda svječiće mora iznositi 0,6 mm – 0,8 mm.

4. Ponovno zavrtnite svjećicu i zategnite je nasadnim ključem.

Provjera iskri paljenja

UPOZORENJE! Opasnost od ozljede kod strujnog udara. Provjera iskre paljenja kada je svjećica izvađena može uzrokovati teške ozljede strujnim udarom i vatrom.

- Iskru paljenja nikada ne provjeravajte kada je svjećica izvađena. Umjesto toga, upotrijebite ispitivač iskre paljenja.

7.5 ČIŠĆENJE MOTORA

UPOZORENJE! Opasnost od požara i eksplozije.

Strojna tijela na motoru mogu zapaliti kosilicu. Požar može dovesti do teških ozljeda.

- Uklonite zapaljiva strana tijela (npr. Travu, lišće, masnoću) s motora, posebice s ispušnog dijela i područja cilindra.

- Redovito provjeravajte i čistite ispušni dio i područje cilindra.

POZORI! Opasnost od vode. Voda koja prodre (uređaj za paljenje, rasplinjač...) može uzrokovati smetnje.

- Motor nemojte prskati vodom.

1. Prije čišćenja, pričekajte da se motor rashladi.

2. Uobičajenu prljavštinu na motoru uklonite krpom ili četkom.

3. Kompimiranim zrakom uklonite sve ostatke otpada i prljavštine s prigušnika i njegova poklopca.

4. Očistite rashladni sustav:

- Uklonite začepljenja iz otvora rashladnog zraka.

- Kako biste izbjegli pregrijavanje, po potrebi očistite i unutarnja rashladna rebra i površine.

5. Plastične dijelove obrišite vlažnom spužvom i sredstvom za čišćenje.

7.6 NAMJEŠTANJE RASPLINJAČA

NAPOMENA Namještanje rasplinjača smije obaviti samo ovlaštena servisna radionica.

7.7 PLAN ODRŽAVANJA

Sljedeće radove korisnik može sam izvesti. Sve ostale radove održavanja, servisiranja i popravaka mora obavljati ovlašten servis. Uvažite i preporučena, godišnja podmazivanja sukladno planu podmazivanja.

NAPOMENA Kod teških naprezanja i na visokim temperaturama mogu biti potrebni kraći intervali održavanja, kako je navedeno u donjoj tablici.

8. POMOĆ U SLUČAJU SMETNJI

OPREZI! Opasnost od ozljeda. Oštri i pomični dijelovi uređaja mogu uzrokovati ozljede.

- Kod radova održavanja, njege i čišćenja uvijek nosite zaštitne rukavice!

NAPOMENA Kod smetnji koje nisu navedene u ovoj tablici ili koje ne možete ukloniti sami, obratite se našoj servisnoj službi.

9. TRANSPORT

- Motor transportirajte samo s praznim spremnikom goriva.

- Motor uvijek transportirajte vodoravno, jer bi inače došlo do:

- Curenja goriva i ulja
- pojave dima
- otežanog pokretanja
- začađene svječiće

10. SKLADIŠTENJE

NAPOMENA Slijedite Upute za uporabu kosilice!

UPOZORENJE! Opasnost od požara i eksplozije.

Benzin i ulje imaju visok stupanj zapaljivosti.

Požar može dovesti do teških ozljeda.

- Uređaj ne skladištite blizu otvorenog plamena ili izvora topline.

- Uređaj nemojte skladištiti u prostoriji u kojoj se upotrebljavaju električni alati. U slučaju duljeg neupotrebljavanja kosilice (dulje od 2 – 3 mjeseca) mora se ispustiti gorivo da bi se izbjegli talozi unutar sustava goriva. Kod kraćeg neupotrebljavanja gorivo se može zaštititi stabilizatorom goriva.

NAPOMENA Dodatne informacije: Pitajte korisničku službu.

1. Ispraznite spremnik goriva.
2. Za uklanjanje goriva iz rasplinjača: Motor na otvorenom pokrenite i pustite da radi dok se ne ugasi.
3. Pustite da se motor rashladi.
4. Očistite motor.
5. Skladištenje motora:
 - Motor skladištite u dobro prozračenom prostoru, a ne blizu otvorenog plamena ili izvora topline.
 - Nemojte ga skladištiti na mjestu na kojem se pogone elektromotori ili električni alati.
 - Skladištite na mjestu zaštićenom od vlage.

PROTECȚIA MEDIULUI

Reciclați materiile prime în loc să le eliminați ca deșeurii. Aparatul, accesoriile și ambalajul trebuie sortate pentru reciclarea ecologică. Componentele din plastic sunt etichetate pentru reciclarea pe categorii.

GARANȚIE

Acest produs este garantat în conformitate cu reglementările legale/specifice fiecărei țări, în vigoare la data achiziției de către primul utilizator. Avariile care pot fi atribuite uzurii normale, supraîncărcării sau manipulării necorespunzătoare vor fi excluse din garanție. În cazul unei revendicări, vă rugăm să trimiteți aparatul, complet asamblat, la distribuitorul dvs. sau la Centrul de service pentru aparate electrice.

RAZDOBLJE KONCENTRACIJE USLUGE

Tip		Prije svake uporabe	Prvi mjesec ili 5 Sati	Svaka 3 mjeseca ili 25 sati	Svakih 6 mjeseci ili 50 sati	Svake godine ili 100 sati	Svake dvije godine ili 250 sati
Motorno ulje	Provjerite	O					
	Zamjena		O		O		
Filtar zraka	Provjerite	O					
	Zamjena			O			
Svjećica	Postavka kontrole					O	
	Zamjena						O
Spremnik goriva i filter	Čišćenje					O	
Cijev za gorivo	Provjerite	Svake 2 godine (zamjena ako je potrebno)					
Oštrica	Provjerite	O					
	Zamjena					O*	

* Oštricu treba zamijeniti ako se uoči bilo kakva oštećenja

BRZI PROBLEMI SNIMANJA

Problem	Vjerojatni uzrok	Preporučeno rješenje
Motor nije aktiviran	ručica gasa nije ispravno postavljena	postavite Mogućnost Hladnog pokretanja na hladnoću ili nešto nižu kada je
	bez ili gotovo bez goriva	napunite spremnik goriva bezolovnim benzinom
	iscrpljena svječića	zamijeniti kompatibilnim, novim svječića
	prljava svječića	očistite ili zamijenite novom svječiću
	iskopčana svječića	lagano pritisnite poklopac terminala
	potopljeni stroj	isključite gorivo u "off", a zatim povucite početni konopac dok se ne pokrene kosilica, a zatim uključite gorivo
	stari benzin u spremniku	ispraznite starije gorivo i zamijenite novim bezolovnim
Motor se često zaustavlja	vođe u spremniku za gorivo	obratite se ovlaštenom servisu
	blokirano opskrba gorivom	provjerite da cijev za gorivo nije probušena ili blokirana
	spremnik goriva ne ispuhuje	Možda trebaš malo olabaviti rezervoar.
Motor gubi konjske snage	pogrešna vrsta goriva	spremnika za gorivo i zamijenite novim bezolovnim
	filter za prljavi zrak	čišćenje ili zamjena novim filtrom
	pogrešna postavka visine	ručicu koja podešava visinu rezanja
Kosilica ima veliku oscilaciju	blokirane ventilacijske rupe	provjerite jesu li 3 rupe u graničnici spremnika za gorivo
	labava oštrica za rezanje	provjerite i pritegnite vijke i matice
	savijeni ili razbijeni diskovi/oštrice	zamjena diska/oštrice
	prekomjerna trava - nakupljanje prljavštine	očistite i provjerite je li kanta za prikupljanje
	istrošeni/oštećeni disk ili oštrice	zamijenite oštrice

TEHNIČKE SPECIFIKACIJE

Br. art.	45 681	45 682	45 697	45 698
Model	GLM 40/124 P EASY	GLM 42/124 SP EASY	GLM 46/140 SP PLUS	GLM 51/160 SP PLUS
Širina rezanja	400mm	420mm	460mm	510mm
Model motora	DK1P62FE/P	DK1P62FE/P	SL140	SL160A
Pomak motora	124.4 cm ³	124.4 cm ³	140 cm ³	160 cm ³
Snaga ocjene motora	2,4hp	2,4hp	2,7hp	3,1hp
Pogonski sustav	Ručno guranje	Samohodni pogon	Samohodni pogon	Samohodni pogon
Volumeni spremnika goriva	0,85 L	0,85 L	0,9 L	1,2 L
Volumeni spremnika ulja za podmazivanje	0,4 L	0,4 L	0,45 L	0.5 L
Nazivna brzina	2850 min-1	2850 min-1	2900 min-1	2900 min-1
Kapacitet vrećice za travu	50L	50L	70 L	70 L
Podesiva visina rezanja	20 - 68 mm / 7 Faze	25 - 85 mm / 7 Faze	25 - 70 mm / 7 Faze	25 - 70 mm / 7 Faze
Učvršćivanja	/	/	da	da
Bočno pražnjenje	/	/	/	da

ROMANA

1. ACESTE INSTRUCȚIUNI DE OPERARE

• Păstrați aceste instrucțiuni de operare într-un loc sigur în orice moment, astfel încât să poată fi consultate

dacă aveți nevoie de informații despre produs.

• Transmiteți produsul numai altor persoane împreună cu aceste instrucțiuni de utilizare.

• Respectați informațiile de siguranță și avertizare din aceste instrucțiuni de utilizare.

• De asemenea, respectați instrucțiunile de utilizare incluse pentru aparat.

1.1. LEGENDE ȘI CUVINTE DE SEMNĂL

Pericol! Denotă o situație extrem de periculoasă, care va duce la vătămări fatale sau grave, dacă nu este evitată. **Avertizare!** Denotă o situație potențial periculoasă care poate duce la vătămări fatale sau grave dacă nu este evitată.

Precauție! Denotă o situație potențial periculoasă care poate duce la răniri minore sau moderate dacă nu este evitată.

Important! Denotă o situație care poate duce la daune materiale dacă nu este evitată.

NOTĂ Instrucțiuni speciale pentru ușurința de înțelegere și manipulare.

2. DESCRIEREA PRODUSULUI

Această documentație descrie două variante ale unui motor cu combustie internă – denumit în continuare "motor". Vă rugăm să respectați pașii de instrucțiuni corespunzător aparatului dumneavoastră.

• Tehnologie 124-140

• Tehnologie 160

În plus, respectați întotdeauna instrucțiunile de funcționare ale mașinii de tuns iarba în care este instalat motorul respectiv.

2.1. UTILIZARE DESEMNAȚĂ

Motorul a fost proiectat pentru conducerea mașinilor de tuns iarba pentru uz privat. Datorită gazelor de eșapament, acesta trebuie operat numai în aer liber și nu în interior. Orice utilizare care nu este în conformitate cu această utilizare desemnată este considerată utilizare abuzivă.

Acest motor este destinat exclusiv utilizării în aplicații necomerciale. Orice altă utilizare (precum și conversiile sau programele de completare neautorizate) sunt considerate contrare utilizării prevăzute și vor duce la excluderea garanției, precum și la pierderea conformității (marca CE); astfel, producătorul își va declina orice responsabilitate pentru daunele și/sau vătămările suferite de utilizator sau de terți.

2.2. IDENTIFICAREA (01, 08)

nu.	COMPONENTĂ
1	Capac (cu dipstick) pentru deschiderea de umplere cu ulei
2	Capacul filtrului de aer

3	Capacul rezervorului de combustibil
4	Mâner de pornire
5	Conector bujie
6	Buton Primer

3. INSTRUCȚIUNI DE SIGURANȚĂ

Pericol! Pericol de rănire mortală și pericol de vătămare extrem de gravă! Necunoașterea instrucțiunilor de siguranță și a instrucțiunilor de funcționare poate duce la leziuni fatale.

• Respectați toate instrucțiunile de siguranță și instrucțiunile de utilizare din aceste instrucțiuni de utilizare, precum și instrucțiunile de utilizare la care se face referire înainte de a începe utilizarea aparatului.

• Păstrați toate documentele furnizate într-un loc sigur pentru referințe ulterioare.

• Risc de otrăvire Gazele de eșapament ale motorului conțin monoxid de carbon care poate ucide o persoană în câteva minute. Respectați următoarele înainte sau în timpul utilizării:

• Folosiți motorul numai în aer liber, niciodată într-o cameră închisă.

• Nu inhalați gazele de eșapament ale motorului.

• Oprțiți motorul dacă vă este greață, amețeală sau slăbiciune atunci când utilizați acest aparat.

• Utilizați motorul numai dacă acesta este în perfectă stare tehnică.

• Nu dezactivați dispozitivele de siguranță și protecție.

• Purtați apărătoare de urechi.

• Citiți cu atenție și urmați aceste instrucțiuni de funcționare și instrucțiunile de funcționare pentru mașina de tuns iarba în care este instalat acest motor. Aflați să oprțiți motorul rapid.

• Nu folosiți spray-uri de pornire sau similare.

3.1. OPERATORUL

• Tinerii cu vârsta sub 16 ani și persoanele care nu cunosc instrucțiunile de funcționare nu au voie să folosească motorul. Respectați orice reglementări de siguranță specifice fiecărei țări privind vârsta minimă a utilizatorului.

• Nu folosiți motorul dacă vă aflați sub influența alcoolului, a drogurilor sau a medicamentelor.

3.2. SIGURANȚA PERSOANELOR, A ANIMALELOR ȘI A BUNURILOR

• Folosiți motorul numai conform destinației. Orice utilizare neprevăzută poate duce la rănirea și deteriorarea proprietății.

• Utilizatorul este responsabil pentru accidentele care implică alte persoane și bunurile acestora.

• Nu lăsați terțe părți în afara zonei periculoase.

• Porniți motorul numai atunci când nu există persoane sau animale în zona de lucru.

• Mențineți o distanță sigură față de persoane sau animale sau oprțiți motorul dacă se apropie persoane sau animale.

• Nu îndreptați niciodată jetul de gaze de eșapament al motorului către persoane și animale sau către

produse și obiecte inflamabile.

- Nu ajungeți în grilele de vid și aerisire atunci când motorul funcționează. Leziunile pot apărea din cauza pieselor rotative ale aparatului.
- Opriti întotdeauna motorul atunci când nu este utilizat, de exemplu atunci când schimbați zona de lucru, în timpul serviciului și întreținerii și când umpleți cu amestecul benzina/ulei.
- Nu folosiți motorul în zone de lucru slab ventilate (de exemplu, un garaj). Gazele de eșapament conțin monoxid de carbon otrăvitor, precum și alte substanțe nocive.
- Opriti imediat motorul în caz de accident, pentru a evita alte leziuni și/sau pagube materiale.
- Nu folosiți niciodată motorul cu piese uzate sau defecte. Piesele uzate sau defecte pot provoca leziuni grave.
- Utilizați numai piese de schimb originale și accesorii originale.
- Nu lăsați motorul la îndemâna copiilor.
- Nu permiteți copiilor și adolescenților să se joace cu motorul.

3.3. MANIPULAREA BENZINEI ȘI A ULEIULUI

- **Risc de explozie și incendiu:** Un amestec benzină/aer care scapă poate provoca o atmosferă explozivă. Deflagrarea, explozia și focul pot duce la răni grave și chiar fatale dacă combustibilul nu este manipulat corespunzător. Respectați următoarele:
 - Nu fumați când aveți de-a face cu benzină.
 - Manipulați benzina numai în afara ușilor și niciodată în spații închise.
 - Este esențial să se uimească codul de conduită menționat mai jos.
 - Transportați și depozitați numai benzină și ulei în recipiente aprobate în acest scop. Asigurați-vă că copiii nu au acces la benzină și ulei depozitate.
 - Pentru a evita contaminarea solului (protecția mediului) la umplere, asigurați-vă că nu intră benzină sau ulei în sol. Utilizați o pâlnie pentru umplere.
 - Nu umpleți niciodată aparatul în spații închise. Vaporii de benzină se pot aduna la nivelul solului, ducând astfel la o deflagrație sau chiar la o explozie.
 - Ștergeți imediat orice benzină vărsată de pe aparat și de pe sol. Se lasă textilele utilizate pentru a șterge benzina să se usuce într-un loc bine ventilat înainte de a le elimina. În caz contrar, poate apărea autoaprindere bruscă.
 - Dacă s-a vărsat benzină, apar vaporii de benzină. Din acest motiv, nu porniți motorul în aceeași locație și mutați-l la cel puțin 3 m distanță.
 - Evitați contactul pielii cu produsele din ulei mineral. Nu inhalați vaporii de benzină. Când umpleți, purtați întotdeauna mănuși de protecție. Schimbați și curățați regulat îmbrăcămintea de protecție.
 - Asigurați-vă că îmbrăcămintea dumneavoastră nu intră în contact cu benzina. Dacă benzina a ajuns pe hainele tale, schimbă-le imediat.
 - Nu umpleți niciodată aparatul în timp ce motorul funcționează sau este fierbinte.

4. START-UP

NOTĂ Înainte de pornire:

- Efectuați întotdeauna o verificare vizuală. Nu folosiți motorul dacă piesele de operare și/sau de fixare sunt slăbite, deteriorate sau uzate.
- Asigurați-vă că adăugați ulei de motor.

4.1. VERIFICATI STAREA GENERALĂ A MOTORULUI

1. Verificați motorul pentru:

- Semne ale unei scurgeri de ulei sau benzină la exteriorul și partea inferioară a motorului.
- Murdărie excesivă sau corpuri străine
- Indicații de deteriorare
- Etanșeitatea tuturor piulițelor, șuruburilor și șuruburilor
- Montarea strânsă și prezența tuturor ecranelor și capacelor
- Deteriorarea sau contaminarea filtrului de aer
- Nivelul combustibilului
- Nivelul uleiului de motor

2. Eliminați orice defecte identificate înainte de pornire.

4.2. UMLEREA CU COMBUSTIBIL

Avertizare! Pericol de explozie și incendiu.

Benzina și uleiul sunt foarte inflamabile. Focul poate duce la răni grave.

- Reumpleți numai benzină și ulei în aer liber și niciodată în apropierea flăcărilor goale sau a surselor de căldură.
- Reinnoiți imediat rezervorul sau capacul rezervorului dacă este deteriorat.
- Închideți întotdeauna ferm capacul rezervorului.
- Dacă s-a scurs benzină:
- Nu porniți motorul.
- Evitați încercările de pornire.
- Curățați mașina de tuns iarba și motorul.
- Combustibilul vărsat poate duce la deteriorarea pieselor din plastic: Ștergeți imediat combustibilul. Garanția nu acoperă deteriorarea pieselor din plastic cauzată de combustibil.

4.2.1. VERIFICAREA NIVELULUI DE ULEI (03, 10)

Important! Pericol de deteriorare a motorului. Un nivel scăzut de ulei poate provoca deteriorarea motorului.

- Verificați nivelul uleiului la intervale regulate.
- Dacă nivelul este scăzut, topiți-l cu ulei curat.

TECH 124-140 (03)

1. Opriti motorul și lăsați-l să se răcească.

Notă: Motorul trebuie să fie la nivel.

2. Îndepărtați orice corpuri străine care formează vecinătatea deschiderii de umplere cu ulei.
3. Deșurubați dipstick-ul de ulei (03/1) de la deschiderea de umplere a uleiului (03/2) și ștergeți-l curat.
4. Introduceți dipstick-ul de ulei (03/1) în deschiderea de umplere a uleiului (03/2) până când capacul intră în contact cu gâtul de deschidere a umpluturii (nu înșurubați) și scoateți-l din nou.
5. Verificați dacă nivelul este între mărcile MIN (03/3) și MAX (03/4).
6. Când nivelul uleiului este aproape sau sub

marcajul MIN (03/3): Umpleți cu ulei vezi capitolul 4.2.2 "Umplerea cu ulei de motor (04, 11)"

7. Introduceți dipstick-ul de ulei și înșurubați bine.
8. Îndepărtați orice ulei vărsat.

TECH 160 (10)

1. Opriti motorul și lăsați-l să se răcească.
NOTĂ: Motorul trebuie să fie la nivel.
2. Îndepărtați orice corpuri străine care formează vecinătatea deschiderii de umplere cu ulei.
3. Deșurubați dipstick-ul de ulei (10/1) de la deschiderea de umplere a uleiului (10/2) și ștergeți-l curat.
4. Introduceți dipstick-ul de ulei (10/1) în deschiderea de umplere a uleiului (10/2) până când capacul intră în contact cu umplutura deschiderea gâtului (nu înșurubați) și scoateți-l din nou.
5. Verificați dacă nivelul este între mărcile MIN (10/3) și MAX (10/4).
6. Când nivelul uleiului este aproape sau sub marcajul MIN (10/3): Umpleți cu ulei vezi capitolul 4.2.2 "Umplerea cu ulei de motor (04, 11)"
7. Introduceți dipstick-ul de ulei și înșurubați bine.
8. Îndepărtați orice ulei vărsat.

4.2.2. UMLERE CU ULEI DE MOTOR (04, 11)

Recomandări de ulei

Uleiul de motor este un factor decisiv pentru performanța și durata de viață a motorului.

- Utilizați un ulei de motor detergent care îndeplinește cerințele pentru clasa de service API SF sau mai mare (sau echivalent).
- Verificați eticheta de service API de pe recipientul de ulei pentru a vă asigura că literele SF sau cele dintr-o clasă superioară (sau echivalentă) sunt prezente.
- SAE 15W-40 este recomandat pentru uz general. Intervalul de temperatură de funcționare recomandat pentru acest ulei este de 5°C până la 38°C.

Important! Pericol de deteriorare a motorului.

Utilizarea uleiului SAE 15W-40 (ulei de vară monograd) la temperaturi mai mici de +5°C poate provoca deteriorarea motorului din cauza lubrifierii insuficiente.

- Utilizați SAE 15W-40 pentru intervalul de temperatură de la 0°C la 40°C.
- Utilizarea uleiurilor multi-grad poate duce la un consum mai mare la temperaturi mai ridicate. Prin urmare, verificați nivelul de ulei mai frecvent.
- Nu amestecați uleiuri de diferite grade și cu proprietăți diferite.

Umplerea cu ulei

NOTĂ Nu umpleți nivelul uleiului peste MAX. Prea mult ulei va provoca:

- Fum în evacuare
- Contaminarea bujiei sau a filtrului de aer

TECH 124-140 (04)

NOTĂ Capacitatea uleiului pentru motor este maximă, 0,45 l.

1. Umpleți uleiul de motor într-un recipient adecvat.
2. Scoateți dipstick-ul de ulei (04/1) din deschiderea de umplere a uleiului (04/2).

3. Adăugați ulei încet și în cantități mici în deschiderea de umplere ulei folosind o pâlnie.
4. Introduceți și blocați dipstick-ul de ulei.
5. Îndepărtați orice ulei vărsat.

TECH 160 (11)

NOTĂ Capacitatea uleiului pentru motor este maximă, 0,5 l.

1. Umpleți uleiul de motor într-un recipient adecvat.
2. Scoateți dipstick-ul de ulei (11/1) din deschiderea de umplere a uleiului (11/2).
3. Adăugați ulei încet și în cantități mici în deschiderea de umplere ulei.
4. Introduceți dipstick-ul de ulei și înșurubați bine.
5. Îndepărtați orice ulei vărsat.

4.2.3. UMLERE CU BENZINĂ (01, 08)

Recomandări privind benzina

- Utilizați benzină curată, proaspătă, fără plumb, cu o cifră octanică minimă de 90.
- Cumpărați combustibil în cantități care pot fi consumate în termen de 30 de zile.
- Benzina cu până la 10% etanol este acceptabilă.
- Nu amestecați benzina cu uleiul.
- Porniți și lăsați motorul să funcționeze în aer liber. benzină

Umplere cu benzină

1. Scoateți capacul rezervorului (01/3) sau (08/3).
2. Umpleți rezervorul până la marginea inferioară a conductei de umplere cu ulei. Nu umpleți prea mult.
3. Înșurubați din nou capacul rezervorului (01/3) sau (08/3).

5. FUNCȚIONAREA MOTORULUI

Pentru informații suplimentare: consultați instrucțiunile de funcționare ale mașinii de tuns iarba.

Pericol! Risc de otrăvire. Gazele de eșapament ale motorului conțin monoxid de carbon care poate ucide o persoană în câteva minute.

- Porniți și folosiți motorul numai în aer liber.
- Nu folosiți niciodată motorul în zone închise, chiar și cu ferestrele și ușile deschise.
- Nu inhalați gazele de eșapament ale motorului.
- Opriti motorul dacă vă este greu, amețeați sau slăbițiune în timpul utilizării. Consultați imediat un medic.

Avertizare! Pericol de explozie și incendiu.

Benzina și uleiul sunt foarte inflamabile. Focul poate duce la răni grave.

- Nu folosiți niciodată spay starter sau similare.
- Avertizare!** Pericol de arsuri. Motoarele devin foarte fierbinte în funcțiune!
- Nu atingeți niciodată părți ale motorului, în special ale gazelor de eșapament.
- Lăsați paletetele de evacuare, cilindru și răcire să se răcească înainte de contact.

Avertizare! Pericol de la rotirea pieselor aparatului!

- Atingerea în aparatul rotativ piese va duce la leziuni grave!
- Nu atingeți niciodată la piesele rotative.
 - Înainte de a începe să utilizați motorul, respectați

instrucțiunile de utilizare a aparatului.

- Porniți și lăsați motorul să funcționeze în aer liber.
- Nu folosiți motorul în poziții înclinate cu un unghi mai mare de 15°.
- Porniți motorul numai în poziție orizontală.
- Nu înclinați mașina atât de departe pe partea în care combustibilul iese din capacul rezervorului de combustibil.
- Verificați nivelul uleiului.
- Legați părul lung și îndepărtați bijuteriile.
- Nu purtați haine largi.
- Purtați pantofi rezistenți, antiderapați.
- Nu schimbați setarea de bază a motorului sau supra-turația.
- Păstrați distanța de siguranță la pornire.
- Oprii motorul și lăsați să se răcească înainte de a scoate capacul rezervorului.
- Oprii motorul, lăsați-l să se răcească și scoateți cablul bujiei înainte de a verifica, curăța sau lucra la mașină sau la motor.
- Așteptați până când motorul s-a răcit suficient înainte de a atinge nervurile cilindrului și carcasa de protecție.
- Nu rotiți motorul fără bujie.

5.1. PORNIREA ȘI OPRIREA MOTORULUI (01, 08)

NOTĂ Respectați instrucțiunile de utilizare pentru mașina de tuns iarba.

NOTĂ Motorul are o setare fixă de gaz. Controlul vitezei nu este posibil.

Pornirea motorului

Precauție! Risc de rănire! Pericol de recul:

Cablul de pornire poate reveni mai repede la motor decât poate fi eliberat cablul.

- Anticipați un șoc brusc atunci când cablul de pornire a fost tras.

Notă

- Utilizarea grundului nu este necesară pentru repornirea unui motor care a pornit deja la cald.
- Apăsăți butonul de grund (01/6) sau (08/6) 3x, la intervale de aproximativ 2 secunde. La temperaturi sub 10°C, apăsați butonul de grund 5x.
- Trageți cablul de pornire (01/4) sau (08/4) afară rapid, apoi lăsați-l să se înfăorțeze încet.

Cu motorul pornit:

- Țineți mâinile și picioarele departe de orice piese rotative.
- Păstrați obiectele inflamabile din zona de evacuare și din zona cilindrului.
- Lăsați paletele de evacuare, cilindru și răcire să se răcească înainte de contact.

Oprirea motorului

- Respectați instrucțiunile de utilizare pentru mașina de tuns iarba.

6. REPARARE

Avertizare! Risc de rănire în timpul lucrărilor de reparații. Reparațiile necorespunzătoare pot duce la răniri grave și deteriorarea aparatului.

- Lucrările de reparații pot fi efectuate numai de

către serviciul autorizat.

- Sunt permise numai piesele de schimb originale.

7. ÎNTREȚINERE ȘI ÎNGRIJIRE

Avertizare! Risc de rănire. Pornirea accidentală a motorului poate duce la răniri grave.

- Înainte de a repara, întreține și repara lucrări, oprii întotdeauna motorul și fixați-l împotriva pornirii din nou.
- Întreținerea regulată este esențială pentru siguranță și menținerea performanței.
- Respectați programul de întreținere.
- Pentru utilizare în condiții mai solicitante, este necesară o întreținere mai frecventă.

1. Înainte de toate lucrările de întreținere și curățare: Scoateți conectorul bujiei (01/5) din bujie.

2. Efectuați lucrările de întreținere și curățare descrise în această secțiune în conformitate cu programul de întreținere.

3. După lucrările de întreținere și curățare: Reatașați conectorul bujiei (01/5) la bujie.

7.1. ÎNCLINAREA MOTORULUI (07, 14)

1. Înclinați motorul astfel încât bujie (07/1, 14/1) să fie orientată în sus.

7.2. CURĂȚAREA FILTRULUI DE AER (05, 12)

TECH 124-140 (05)

- Curățați filtrul de aer în mod regulat.
- Înlocuiți filtrul de aer dacă este deteriorat.

1. Scoateți capacul filtrului de aer (05/1) apăsând filele de blocare (05/2) și îndepărtând capacul filtrului de aer.

2. Scoateți filtrul (05/3) și scoateți-l pe o suprafață dură până când murdăria a fost îndepărtată. Nu te spăla!

3. Reinstalați filtrul.

4. Montați din nou capacul filtrului de aer și închideți-l, tăindu-l în filele de blocare.

***Atenție!** capacul motorului 124 se deschide orizontal

TECH 160 (12)

- Curățați filtrul de aer în mod regulat.
- Înlocuiți filtrul de aer dacă este deteriorat.

1. Desurubați cele două șuruburi (12/1) ale capacului filtrului de aer (12/2) și scoateți capacul filtrului de aer.

2. Scoateți filtrul (12/3) și scoateți-l pe o suprafață dură până când murdăria a fost îndepărtată. Nu te spăla!

3. Reinstalați filtrul.

4. Montați din nou capacul filtrului de aer și fixați-l cu cele două șuruburi.

7.3. SCHIMBAREA ULEIULUI (06, 13)

Verificați nivelul de ulei în mod regulat. Verificați nivelul de ulei la fiecare 5 ore de funcționare sau în fiecare zi înainte de pornirea motorului.

Avertizare! Pericol de explozie și incendiu.

Evacuarea combustibilului creează un amestec exploziv benzină/aer. Deflagrarea, explozia și focul

pot duce la leziuni grave și chiar fatale dacă combustibilul nu este manipulat corespunzător.

- Goliți rezervorul de combustibil înainte de a goli uleiul.

NOTĂ Contactați serviciul nostru de relații cu clienții dacă nu puteți desfășura singur activitatea.

Notă

- Se scurge uleiul vechi atunci când motorul este cald. Uleiul cald se termină rapid și complet.
- Aruncați uleiul uzat într-un mod ecologic!

TECH 124-140 (06)

NOTĂ Capacitatea uleiului pentru motor este maximă. 0,45 l.

1. Se scurge rezervorul de combustibil.
2. Pentru a scoate combustibilul din carburator: Porniți motorul în aer liber și lăsați-l să funcționeze până când se oprește.
3. Lăsați motorul să se răcească.
4. Scoateți conectorul bujiei (01/5).
5. Deșurubați bățul de ulei (03/2).
6. Extrageți uleiul folosind pompa (06/1) și scurgeți-l în recipientul (06/2).
7. Umpleți cu ulei nou (SAE 15W-40, volum de umplere: 0,45 l) folosind o pâlnie.
- Umplere cu ulei de motor (04).
8. Verificați dacă nivelul a atins marcajul MAX (03/4).
9. Introduceți dipstick-ul de ulei și înșurubați bine.
10. Îndepărtați orice ulei vărsat.

TECH 160 (13)

NOTĂ Capacitatea uleiului pentru motor este maximă. 0,5 l.

1. Se scurge rezervorul de combustibil.
2. Pentru a scoate combustibilul din carburator: Porniți motorul în aer liber și lăsați-l să funcționeze până când se oprește.
3. Lăsați motorul să se răcească.
4. Scoateți conectorul bujiei (08/5).
5. Deșurubați bățul de ulei (13/2).
6. Așezați un recipient de colectare (13/3) pentru uleiul vechi de dedesubt.
7. Înclinați motorul peste recipientul de colectare, astfel încât tot uleiul să se poată scurge din deschiderea de umplere a uleiului (13/4).
8. Umpleți cu ulei nou (SAE 15W-40, volum de umplere: 0,5 l). Umplere cu ulei de motor (04).
9. Verificați dacă nivelul a atins marcajul MAX (10/3).
10. Introduceți dipstick-ul de ulei și înșurubați bine.
11. Îndepărtați orice ulei vărsat.

7.4 . ÎNTREȚINEREA BUJIEI (02, 09)

Tip de bujie prescrist: TORCH F6RTC

Important! Pericol de deteriorare a motorului.

Funcționarea motorului cu bujie incorectă sau fără bujie va duce la deteriorarea motorului!

- Utilizați întotdeauna tipul specificat de bujie.
 - Nu încercați niciodată să porniți motorul fără bujie.
1. Deșurubați bujie (02/1) sau (09/1) cu ajutorul unei chei de priză.
 2. Curățați electrozii (02/2) sau (09/2) cu ajutorul unei perii metalice și îndepărtați depunerile de funingine.

3. Verificați golul corect al electrodului cu un ecartament de măsurare.

Notă: Decalajul electrodului bujiei trebuie să fie de 0,6 mm – 0,8 mm.

4. Reintroduceți bujie și strângeți cu o cheie de priză.

Comanda scânteii de aprindere

Avertizare! Risc de rănire din cauza electrocutării. Verificarea scânteii de aprindere cu scânteia poate duce la răniri grave în urma electrocutării și a incendiului.

- Nu verificați niciodată funcția scânteii de aprindere cu bujiile îndepărtate. Utilizați în schimb un tester cu scânteie de aprindere.

7.5 CLEANING THE ENGINE/ CURĂȚAREA MOTORULUI

Avertizare! Pericol de explozie și incendiu.

Obiectele străine de pe motor pot provoca mașina de tuns iarba să ia foc. Focul poate duce la răniri grave.

- Îndepărtați resturile combustibile (de exemplu iarbă, frunze, unsoare) din motor, în special din zona de evacuare și din zona cilindrului.
- Verificați și curățați regulat zona de evacuare și a cilindrului.

Important! Pericol din cauza apei. Apa penetrantă (sistem de aprindere, carburator etc.) poate duce la defecțiuni.

- Nu pulverizați motorul cu apă.

1. Lăsați motorul să se răcească înainte de curățare.
2. Îndepărtați contaminarea în mod regulat de la motor cu o cârpă de curățare sau o perie.
3. Se îndepărtează toate deșeurile și reziduurile de murdărie de la amortizor și capacul acestuia cu ajutorul aerului comprimat.
4. Curățați sistemul de răcire:
 - Îndepărtați obstacolele de la orificiile de răcire a aerului.
 - Pentru a preveni supraîncălzirea, curățați și paletele și suprafețele interne de răcire.
5. Ștergeți piesele din plastic cu un burete umed și detergent.

7.6. SETĂRI CARBURATOR

NOTĂ Carburatorul trebuie reglat numai printr-un serviciu autorizat.

7.7. PROGRAMUL DE ÎNTREȚINERE

Următoarele lucrări pot fi efectuate de către utilizator în mod independent. Toate celelalte lucrări de întreținere, service și reparații trebuie efectuate într-un serviciu autorizat. În plus, vă rugăm să respectați, de asemenea, sarcinile anuale de lubrifiere recomandate, planul de lubrifiere..

NOTĂ Pot fi necesare intervale de întreținere mai scurte decât cele menționate în tabelul de mai jos în caz de încărcare severă și temperaturi ridicate.

8. AJUTOR ÎN CAZ DE DEFECTIUNE

Precauție! Risc de rănire. Piesele cu muchii ascuțite și în mișcare ale aparatului pot duce la rănire.

- Purtați întotdeauna mănuși de protecție în timpul

lucrărilor de întreținere, îngrijire și curățare.

NOTĂ Pentru defecțiuni care nu sunt listate în acest tabel sau pe care nu le puteți rezolva singur, vă rugăm să contactați serviciul nostru de relații cu clienții.

9. TRANSPORT

- Transportați motorul numai atunci când rezervorul de combustibil este gol.
- Transportați întotdeauna motorul orizontal, în caz contrar se vor produce următoarele:
- Scurgeri de combustibil și ulei
- Generarea de fum
- Dificultăți de pornire
- Funingine pe bujie

10. STOCARE

NOTĂ Respectați instrucțiunile de utilizare pentru mașina de tuns iarba.

Avertizare! Pericol de explozie și incendiu.

Benzina și uleiul sunt foarte inflamabile. Focul poate duce la răni grave.

- Nu depozitați aparatul aproape de flăcări goale sau de surse de căldură.
- Nu depozitați aparatul într-o cameră în care sunt acționate uneltele electrice.

În cazul în care mașina de tuns iarba nu este utilizată pentru o perioadă lungă de timp (mai mult de 2 până la 3 luni), combustibilul trebuie scurs pentru a evita depunerile în sistemul de alimentare. Cu o perioadă de ralanti mai scurtă, combustibilul poate fi protejat cu un stabilizator de combustibil.

NOTĂ Pentru informații suplimentare: Adresați-vă serviciului pentru relații cu clienții.

1. Se scurge rezervorul de combustibil.
2. Pentru a scoate combustibilul din carburator:
Porniți motorul în aer liber și lăsați-l să funcționeze până când se oprește.
3. Lăsați motorul să se răcească.
4. Curățați motorul.
5. Depozitarea motorului:
 - Depozitați motorul într-un loc bine ventilat și nu în apropierea flăcărilor goale sau a surselor de căldură.
 - Nu depozitați motorul în care sunt acționate motoarele electrice sau sculele electrice.
 - Depozitați protejat de umiditate.

PROTECȚIA MEDIULUI

Reciclați materiile prime în loc să le eliminați ca deșeururi. Aparatul, accesoriile și ambalajul trebuie sortate pentru reciclarea ecologică. Componentele din plastic sunt etichetate pentru reciclarea pe categorii.

GARANȚIE

Acest produs este garantat în conformitate cu reglementările legale/specifice fiecărei țări, în vigoare la data achiziției de către primul utilizator. Avariile care pot fi atribuite uzurii normale, supraîncărcării sau manipulării necorespunzătoare vor fi excluse din garanție. În cazul unei revendicări, vă rugăm să trimiteți aparatul, complet asamblat, la distribuitorul dvs. sau la Centrul de service pentru aparate electrice.

PERIOADA DE CONCENTRARE A SERVICIULUI

Tip Executarea în fiecare perioadă indicată a lunii sau a perioadei de funcționare, oricare dintre acestea survine		Înainte de fiecare utilizare	Prima lună Sau 5 ore	La fiecare 3 luni Sau 25 de ore	La fiecare 6 luni Sau 50 de ore	În fiecare an Sau 100 de ore	La fiecare 2 ani Sau 250 de ore
Ulei de motor	Verificați	O					
	Înlocuire		O		O		
Filtru de aer	Verificați	O					
	Înlocuire			O			
Bujie	Setarea controlului					O	
	Înlocuire						O
Rezervor de combustibil și filtru	Curățare					O	
Țeavă de combustibil	Verificați	La fiecare 2 ani (înlocuire, dacă este necesar)					
Lama	Verificați	O					
	Înlocuire					O*	

* Lama trebuie înlocuită dacă se observă deteriorări

BRZI PROBLEMI SNIMANJA

Problemă	Cauza probabilă	Soluție recomandată
Motorul nu este activat	Maneta de accelerație nu este setată corect	Setați opțiunea Pornire la rece la rece sau ușor mai mică atunci când este cald
	fără sau aproape fără combustibil	Umple rezervorul de combustibil cu benzină fără plumb
	Bujie epuizată	Înlocuiți cu o bujie nouă, compatibilă
	Bujie murdară	Curățați sau înlocuiți cu o bujie nouă
	Bujie deconectată	Apăsați ușor capacul terminalului
	Mașină inundată	Opriti combustibilul în "off", apoi trageți frânga de pornire până când pornește mașina de tuns iarba, apoi porniți combustibilul
Motorul se oprește frecvent	Benzină vechi în container	Se scurge combustibilul mai vechi și se înlocuiește cu noi fără plumb
	Apă în rezervorul de combustibil	Contactați un serviciu autorizat
	Alimentare cu combustibil blocat	Asigurați-vă că conducta de combustibil nu este perforată sau blocată
motorul pierde cai putere	Rezervorul de combustibil nu se ventilează	Poate ar trebui să desfaci puțin rezervorul de benzină.
	Tip greșit de combustibil	Se scurge rezervorul de combustibil și se înlocuiește cu noi fără plumb
	Filtru de aer murdar	Curățați sau înlocuiți cu un filtru nou
mașina de tuns iarba are o oscilație mare	Setare a înălțimii greșită	În sus maneta care reglează înălțimea de tăiere
	Orificii de ventilație blocate	Asigurați-vă că cele 3 orificii din stația rezervorului de combustibil sunt curate
	Lamă de tăiere în vrac	Verificați și strângeți șuruburile și piulițele
	Discuri/lame îndoite sau rupte	Înlocuire disc/lamă
	Iarbă excesivă - acumularea de murdărie	Curățați și asigurați-vă că coșul de colectare este curat
	Disc sau lame uzate/deteriorate	Înlocuire lame

SPECIFICAȚII TEHNICE

Număr de identificare	45 681	45 682	45 697	45 698
Model	GLM 40/124 P EASY	GLM 42/124 SP EASY	GLM 46/140 SP PLUS	GLM 51/160 SP PLUS
Lățime de tăiere	400mm	420mm	460mm	510mm
Modelul motorului	DK1P62FE/P	DK1P62FE/P	SL140	SL160A
Deplasarea motorului	124.4 cm ³	124.4 cm ³	140 cm ³	160 cm ³
Puterea de evaluare a motorului	2,4hp	2,4hp	2,7hp	3,1hp
Sistem de acționare	Împingere manuală	Autopropulsat	Autopropulsat	Autopropulsat
Volumele rezervorului de combustibil	0,85 L	0,85 L	0,9 L	1,2 L
Volumele rezervorului de ulei de lubrifiere	0,4 L	0,4 L	0,45 L	0.5 L
Viteza nominală	2850 min-1	2850 min-1	2900 min-1	2900 min-1
Capacitatea sacului de iarbă	50L	50L	70 L	70 L
Înălțime de tăiere reglabilă	20 - 68 mm / 7 Etape	25 - 85 mm / 7 Etape	25 - 70 mm / 7 Etape	25 - 70 mm / 7 Etape
Mufă de mulcire	/	/	da	da
Descărcare laterală	/	/	/	da

MAGYAR**1. EZEKRŐL A MŰKÖDÉS RŐL
UTASÍTÁS**

- Ezt a kezelési útmutatót mindig tartsa biztonságos helyen, hogy elolvashassa, ha bármilyen információra van szüksége a termékkel kapcsolatban.
- Csak a jelen használati útmutatóval együtt adja át a terméket más személyeknek.
- Tartsa be az ebben a kezelési útmutatóban található biztonsági és figyelmeztetéseket.
- Vegye figyelembe a készülékhez mellékelt használati utasítást is.

1.1 LEGENDÁK ÉS JELZŐSZAVAK

VESZÉLY! Közvetlenül veszélyes helyzetet jelöl, amely halálos vagy súlyos sérüléshez vezethet, ha nem kerülik el.

FIGYELEM! Olyan potenciálisan veszélyes helyzetet jelöl, amely halálos vagy súlyos sérülést okozhat, ha nem kerülik el.

VIGYÁZAT! Olyan potenciálisan veszélyes helyzetet jelöl, amely kisebb vagy közepes sérülést okozhat, ha nem kerülik el.

FONTOS! Olyan helyzetet jelöl, amely anyagi kárt okozhat, ha nem kerülik el.

MEGJEGYZÉS Különleges utasítások a könnyebb érthetőség érdekében és kezelése.

2. TERMÉKLEÍRÁS

Ez a dokumentáció a belső égésű motor – a továbbiakban „motor” – két változatát írja le. Kérjük, tartsa be a készülékének megfelelő utasításokat.

- Műszaki 124-140
- Tech 160

Ezenkívül mindig tartsa be a fűnyíró használati utasítását, amelyben az adott motor be van szerelve.

2.1. RENDELTETÉSSZERŰ HASZNÁLAT

A motort magáncélú fűnyírók vezetésére tervezték. Kipufogógázai miatt csak a szabadban szabad üzemeltetni, bent nem. A rendeltetésszerű használattól eltérő bármilyen használat helytelen használatnak minősül. Ezt a motort kizárólag nem kereskedelmi célokra szánták. Bármilyen más felhasználás (valamint a jogosulatlan átalakítások vagy kiegészítések) a rendeltetésszerű használattal ellentétesnek minősül, és a garancia kizárásával, valamint a megfelelőség elvesztésével jár (CE-jelölés); így a gyártó elhárít minden felelősséget a felhasználó vagy harmadik fél által elszenvedett károkért és/vagy sérülésekért.

2.2. AZONOSÍTÁS (01, 08)

No	ÖSSZETEVŐ
1	Kupak (nívópálccával) az olajbetöltő nyíláshoz
2	Levegőszűrő fedele

3	Üzemanyagtartály sapka
4	Indító fogantyú
5	Gyújtógyertya csatlakozó
6	Alapozó gomb

3. BIZTONSÁGI UTASÍTÁSOK

VESZÉLY! Életveszélyes sérülés és rendkívül súlyos sérülés veszélye! A biztonsági és kezelési utasítások ismeretének hiánya rendkívül súlyos, akár halálos sérülésekhez vezethet.

- A készülék használatának megkezdése előtt vegye figyelembe az ebben a kezelési útmutatóban található összes biztonsági és használati utasítást, valamint a hivatkozott használati utasítást.
- Tartsa biztonságos helyen az összes mellékelt dokumentumot későbbi felhasználás céljából.
- Mérgezőveszély. A motor kipufogógázai szén-monoxidot tartalmaznak, amely néhány percen belül megölheti az embert. Használat előtt vagy közben ügyeljen a következőkre:
 - Csak a szabadban működtesse a motort, soha ne zárt helyiségben.
 - Ne lélegezze be a motor kipufogógázait.
 - Állítsa le a motort, ha émelygést, szédülést vagy gyengeséget érez a készülék használatában közben.
 - Csak kifogástalan műszaki állapotban használja a motort.
 - Ne kapcsolja ki a biztonsági és védőberendezéseket.
 - Viseljen fülvédőt.
 - Gondosan olvassa el és kövesse ezt a használati utasítást, valamint annak a fűnyírónak a kezelési útmutatóját, amelybe ez a motor be van szerelve. Tanulja meg a motort gyors leállítását.
 - Ne használjon indító spray-t vagy hasonlót.

3.1 ÜZEMELTETŐ

- 16 év alatti fiatalok és a használati utasítást nem ismerő személyek nem használhatják a motort. Vegye figyelembe a felhasználó minimális életkorára vonatkozó országspecifikus biztonsági előírásokat.
- Ne működtesse a motort, ha alkohol, kábítószer vagy gyógyszer hatása alatt áll.

3.2 SZEMÉLYEK, ÁLLATOK ÉS VAGYONBIZTONSÁG

- A motort csak rendeltetésszerűen használja. Bármilyen nem rendeltetésszerű használat sérüléshez és anyagi károkhoz vezethet.
- A felhasználó felelős a más személyeket és vagyontokat érintő balesetekért.
- Tartsa távol a harmadik személyeket a veszélyes területtől.
- Csak akkor kapcsolja be a motort, ha nincsenek személyek vagy állatok a munkaterületen.
- Tartson biztonságos távolságot személyektől vagy állatoktól, vagy kapcsolja ki a motort, ha személyek vagy állatok közelednek.
- Soha ne irányítsa a motor kipufogógáz sugarait személyek és állatok, illetve gyúlékony termékek és tárgyak felé.

- Járó motornál ne nyúljon a vákuum- és szellőző-rácsokba. A forgó készülékalkatrészek sérüléseket okozhatnak.
- Mindig kapcsolja ki a motort, ha nem használja, pl. a munkaterület megváltoztatásakor, szerviz és karbantartás során, valamint benzin/olaj keverékkel való feltöltéskor.
- Ne működtesse a motort rosszul szellőző helyen (például garázsban). A kipufogógázok mérgező szén-monoxidot, valamint egyéb káros anyagokat tartalmaznak.
- Baleset esetén azonnal állítsa le a motort, hogy elkerülje a további sérüléseket és/vagy anyagi károkat.
- Soha ne működtesse a motort kopott vagy hibás alkatrészekkel. A kopott vagy hibás alkatrészek súlyos sérüléseket okozhatnak.
- Csak eredeti pótalkatrészeket és tartozékokat használjon.
- Tartsa a motort gyermekektől távol.
- Ne engedje, hogy gyerekek és serdülők játsszanak a motorral.

3.3 A BENZIN ÉS AZ OLAJ KEZELÉSE

- Robbanás- és tűzveszély: A kiáramló benzin/levegő keverék robbanásveszélyes légkört okozhat. A lángok, robbanás és tűz súlyos vagy akár halálos sérüléseket is okozhat, ha az üzemanyagot nem megfelelően kezelik. Vegye figyelembe a következőket:
- Ne dohányozzon, ha benzinnel dolgozik.
- Csak az ajtón kívül kezelje a benzint, és soha ne zárt térben.
- Alapvető fontosságú az alább ismertetett magatartási kódex betartása.
- A benzint és az olajat csak erre a célra jóváhagyott tartályokban szállítsa és tárolja. Gondoskodjon arról, hogy a gyerekek ne férhessenek hozzá a tárolt benzinhoz és olajhoz.
- Feltöltéskor a talajszennyeződés elkerülése érdekében (környezetvédelem) ügyeljen arra, hogy ne kerüljön benzin vagy olaj a talajba. Használjon töltéscsőt a töltéshez.
- Soha ne töltse fel a készüléket zárt térben. A benzingőzők összegyűlhetnek a talaj szintjén, és ezáltal lángolást vagy akár robbanást is okozhatnak.
- Azonnal törölje le a kiömlött benzint a készülékről és a talajról. Hagyja a benzin letörlésére használt textíliákat jól szellőző helyen megszáradni, mielőtt kidobná őket. Ellenkező esetben hirtelen öngyulladás léphet fel.
- Ha a benzin kiömlött, benzingőzők keletkeznek. Emiatt ne indítsa be a motort ugyanazon a helyen, és távolítsa el legalább 3 m-re.
- Kerülje a bőrrel való érintkezést ásványi olajokkal. Ne lélegezze be a benzingőzőket. Feltöltéskor mindig viseljen védőkesztyűt. Rendszeresen cserélje ki és tisztítsa meg a védőruházatot.
- Ügyeljen arra, hogy ruhája ne érintkezzen benzinnel. Ha benzin került a ruhájára, azonnal cserélje le.
- Soha ne töltse fel a készüléket, ha a motor jár vagy forró.

4. INDÍTÁS

MEGJEGYZÉS Üzembe helyezés előtt:

- Mindig végezzen vizuális ellenőrzést. Ne működtesse a motort, ha a működtető és/vagy rögzítő alkatrészek meglazultak, sérültek vagy elkoptak.
- Feltétlenül töltsön be motorolajat.

4.1 ELLENŐRIZZE A MOTOR ÁLTALÁ- NOS ÁLLAPOTÁT

1. Ellenőrizze a motort:

- Olaj- vagy benzinszivárgás jelei a motor külsején és alján.
- Túlzott szennyeződés vagy idegen test
- Sérülésre utaló jelek
- Minden anya, csavar és csavar tömítettsége
- Az összes képernyő és burkolat szoros illeszkedése és jelenléte
- A levegőszűrő sérülése vagy szennyeződése
- Benzin szint
- Motorolajsint

2. AZ ÜZEMBE HELYEZÉS ELŐTT SZŰNTESSE MEG AZ AZONOSÍTOTT HIBÁKAT.

4.2. FELTÖLTÉS ÜZEMANYAGGAL

FIGYELEM! Robbanás- és tűzveszély. A benzin és az olaj nagyon gyúlékony. A tűz súlyos sérüléseket okozhat.

- Csak a szabadban töltsön benzint és olajat, és soha ne nyílt láng vagy hőforrás közelében.
- Azonnal cserélje ki a tartályt vagy a tanksapkát, ha sérült.
- Mindig szorosan zárja le a tartály fedelét.
- Ha kifolyt a benzin:
- Ne indítsa be a motort.
- Kerülje az indítási kísérleteket.
- Tisztítsa meg a fűnyírót és a motort.
- A kiömlött üzemanyag károsíthatja a műanyag alkatrészeket: Azonnal törölje le az üzemanyagot. A garancia nem terjed ki a műanyag alkatrészek üzemanyag által okozott károsodására.

4.2.1. AZ OLAJSZINT ELLENŐRZÉSE (03, 10)

FONTOS! A motor károsodásának veszélye. Az alacsony olajsint a motor károsodását okozhatja.

- Rendszeresen ellenőrizze az olajsintet.
- Ha a szint alacsony, töltsön utána tiszta olajat.

TECH 124-140 (03)

1. Állítsa le a motort, és hagyja kihűlni.
- Megjegyzés:** A motornak vízszintesnek kell lennie.
2. Távolítsa el minden idegen testet az olajbetöltő nyílás közeléből.
3. Csavarja ki az olajpálcát (03/1) az olajbetöltő nyílásból (03/2), és törölje le.
4. Illesse be az olajpálcát (03/1) az olajbetöltő nyílásba (03/2), amíg a kupak érintkezik a betöltőnyílás nyakával (ne csavarja be), majd távolítsa el ismét.
5. Ellenőrizze, hogy a szint a MIN (03/3) és MAX

(03/4) jelzések között van.

6. Ha az olajsint a MIN jelzés közelében vagy alatta van (03/3): Töltse fel olajjal, lásd a 4.2.2 „Motorolaj feltöltése (04, 11)” fejezetet.

7. Helyezze be az olajsintmérő pálcát, és csavarja szorosan.

8. Távolítsa el minden kiömlött olajat.

TECH 160 (10)

1. Állítsa le a motort, és hagyja kihűlni.

Megjegyzés: A motornak vízszintesnek kell lennie.

2. **Távolítsa el minden idegen testet az olajbetöltő nyílás közeléből.**

3. Csavarja ki az olajpalcát (10/1) az olajbetöltő nyílásból (10/2), és törölje le.

4. Illesse be az olajpalcát (10/1) az olajbetöltő nyílásba (10/2), amíg a kupak érintkezik a betöltőnyílás nyakával (ne csavarja be), majd távolítsa el ismét.

5. Ellenőrizze, hogy a szint a MIN (10/3) és MAX (10/4) jelzések között van.

6. Ha az olajsint a MIN jelzés (10/3) közelében vagy alatta van: Töltse fel olajjal, lásd a 4.2.2 „Motorolaj feltöltése (04, 11)” fejezetet.

7. Helyezze be az olajsintmérő pálcát, és csavarja szorosan.

8. Távolítsa el minden kiömlött olajat.

4.2.2. FELTÖLTÉS MOTOROLAJJAL (04, 11)

Olaj ajánlások

A motorolaj döntő tényező a teljesítmény szempontjából

és a motor élettartama.

- Olyan tisztítószeres motorolajat használjon, amely megfelel az SF vagy magasabb (vagy azzal egyenértékű) API szolgálatási osztály követelményeinek.

- Ellenőrizze az API szervizcímkét az olajtartályon, hogy megbizonyosodjon arról, hogy az SF vagy magasabb (vagy azzal egyenértékű) osztályba tartozó betűk jelen vannak.

- Általános használatra a SAE 15W-40 ajánlott. Ennek az olajnak az ajánlott működési hőmérséklet-tartománya 5°C és 38°C között van.

FONTOS! A motor károsodásának veszélye. A SAE 15W-40 olaj (egyfokozatú nyári olaj) használata +5°C-nál alacsonyabb hőmérsékleten a motor károsodását okozhatja az elégtelen kenés miatt.

- 0°C és 40°C közötti hőmérséklet-tartományban használjon SAE 15W-40-et.

- A többfokozatú olajok használata magasabb hőmérsékleten magasabb fogyasztást eredményezhet. Ezért gyakrabban ellenőrizze az olajsintet.

- Ne keverjen össze különböző minőségű és eltérő tulajdonságú olajokat.

Feltöltés olajjal

MEGJEGYZÉS Ne töltson olajsintet MAX fölé. A túl sok olaj a következőket okozza:

- Füst a kipufogóban
- A gyújtógyertya vagy a légszűrő szennyeződése

TECH 124-140 (04)

MEGJEGYZÉS A motor olajkapacitása max. 0,45 l.

1. Töltson motorolajat egy megfelelő tartályba.

2. Vegye ki az olajpalcát (04/1) az olajbetöltő nyílásból (04/2).

3. Lassan és kis mennyiségben adjon hozzá olajat olajbetöltő nyílás. tölcser segítségével.

4. Helyezze be és rögzítse az olajpalcát.

5. Távolítsa el minden kiömlött olajat.

TECH 160 (11)

MEGJEGYZÉS A motor olajkapacitása max. 0,5 l.

1. Töltson motorolajat egy megfelelő tartályba.

2. Vegye ki az olajpalcát (11/1) az olajbetöltő nyílásból (11/2).

3. Lassan és kis mennyiségben öntse be az olajat az olajbetöltő nyílásba.

4. Helyezze be az olajsintmérő pálcát, és csavarja szorosan.

5. Távolítsa el minden kiömlött olajat.

4.2.3. FELTÖLTÉS BENZINNEL (01, 08)

Benzinnel kapcsolatos ajánlások

- Használjon tiszta, friss, ólommentes benzint minimális mennyiségben októszáma 90.

- Olyan mennyiségben vásároljon üzemanyagot, amelyet 30 napon belül el tud fogyasztani.

- A legfeljebb 10% etanolt tartalmazó benzint elfogadható.

- Ne keverje a benzint olajjal.

- Csak a szabadban indítsa be és hagyja járni a motort.

FELTÖLTÉS BENZINNEL

1. Távolítsa el a tanksapkát (01/3) vagy (08/3).

2. Töltse fel a tartályt az olajbetöltő cső alsó széléig. Ne töltse túl.

3. Csavarja vissza szorosan a tanksapkát (01/3) vagy (08/3).

5. A MOTOR MŰKÖDTETÉSE

További információkért: olvassa el a fűnyíró használati útmutatóját.

VESZÉLY! Mérgezés veszélye. A motor kipufogógázai szén-monoxidot tartalmaznak, amely néhány percen belül megölheti az embert.

- Csak szabad levegőn indítsa be és működtesse a motort.

- Soha ne működtesse a motort zárt helyen még nyitott ablakokkal és ajtókkal sem.

- Ne lélegezze be a motor kipufogógázait.

- Állítsa le a motort, ha émelygést, szédülést vagy gyengeséget érez használat közben. Azonnal forduljon orvoshoz.

FIGYELEM! Robbanás- és tűzveszély.

A benzint és az olaj nagyon gyúlékony. A tűz súlyos sérüléseket okozhat.

- Soha ne használjon indító spray-t vagy hasonlót.

FIGYELEM! Égési sérülés veszélye. A motorok működés közben nagyon felforrósodnak!

- Soha ne érintse meg a motor részeit, különösen a kipufogót.

- Hagyja lehűlni a kipufogót, a hengert és a hűtőlapátokat, mielőtt hozzáérne.

FIGYELEM! Veszély a forgó készülékalkatrészek miatt! Ha a készülék forgó alkatrészeihez nyúl, súlyos sérüléseket okozhat!

- Soha ne nyúljon a forgó alkatrészekhez.
- A motor használatba vétele előtt vegye figyelembe a készülék használati utasítását.
- Csak a szabadban indítsa be és hagyja járni a motort.
- Ne működtesse a motort ferde helyzetben 15°-nál nagyobb szögben.
- Csak vízszintes helyzetben indítsa be a motort.
- Ne döntse meg annyira a gépet, hogy az üzemanyagtartály fedeléből kifolyjon az üzemanyag.
- Ellenőrizze az olajszintet.
- Kösse fel a hosszú haját és távolítsa el az ékszereket.
- Ne viseljen bő ruhát.
- Viseljen erős, csúszásmentes cipőt.
- Ne változtassa meg a motor alapbeállítását vagy a túlpörgést.
- Indításkor tartsa be a biztonsági távolságot.
- Állítsa le a motort, és hagyja kihűlni, mielőtt leveszi a tanksapkát.
- Állítsa le a motort, hagyja kihűlni, és távolítsa el a gyújtógyertya kábelét, mielőtt a gépen vagy a motorn munkát végezne.
- Várja meg, amíg a motor kellően lehűl, mielőtt megérintené a hengerbordákat és a védőburkolatot.
- Ne forgassa a motort gyújtógyertya nélkül.

5.1. A MOTOR INDÍTÁSA ÉS LEÁLLÍTÁSA (01, 08)

MEGJEGYZÉS Vegye figyelembe a fűnyíró használati utasítását.

MEGJEGYZÉS A motor fix gázbeállítással rendelkezik. Sebességszabályozás nem lehetséges.

A MOTOR BEINDÍTÁSA

VIGYÁZAT! Sérülésveszély! Visszarúgás veszélye: Az indítókábel gyorsabban visszatérhet a motorhoz, mint amennyit a kábel elengedhet.

• Ügyeljen arra, hogy az indítókábel meghúzásakor hirtelen rázkódásra kerüljön sor.

JEGYZET

- Az alapozó használata nem szükséges a már melegen járt motor újraindításához.
- Nyomja meg a primer gombot (01/6) vagy (08/6) 3x, kb. 2 másodperc. 10°C alatti hőmérsékleten nyomja meg 5x az alapozó gombot.
- Gyorsan húzza ki az indítókábelét (01/4) vagy (08/4), majd hagyja lassan visszatekerni. Járó motor mellett:
- Tartsa távol kezét és lábát a forgó alkatrészekről.
- Tartsa távol a gyúlékony tárgyakat a kipufogócsőtől és a henger környékétől.
- Hagyja lehűlni a kipufogót, a hengert és a hűtőlapátokat, mielőtt hozzáérne. A motor kikapcsolása
- Vegye figyelembe a fűnyíró használati utasítását.

6. JAVÍTÁS

FIGYELEM! Sérülésveszély javítási munkák során. A szakszerűtlen javítás súlyos sérülésekhez és a készülék károsodásához vezethet.

- Javítási munkákat csak arra felhatalmazott személy végezhet.
- Csak eredeti pótalkatrészek megengedettek.

7. KARBANTARTÁS ÉS GONDOZÁS

FIGYELEM! Sérülésveszély. A motor véletlenszerű bekapcsolása súlyos sérülésekhez vezethet.

- Beállítási, karbantartási és javítási munkák előtt mindig állítsa le a motort, és biztosítsa újra bekapcsolás ellen.
- A rendszeres karbantartás elengedhetetlen a biztonság és a teljesítmény fenntartásához.
- Tartsa be a karbantartási ütemtervet.
- Igényesebb körülmények között történő használatához gyakoribb karbantartás szükséges.

1. Minden karbantartási és tisztítási munka előtt: Távolítsa el a gyújtógyertya-csatlakozót (01/5) a gyújtógyertyáról.

2. Végezze el az ebben a részben leírt karbantartási és tisztítási munkákat a karbantartási ütemterv szerint.

3. Karbantartási és tisztítási munkák után: Csatlakoztassa vissza a gyújtógyertya csatlakozót (01/5) a gyújtógyertyához.

7.1 A motor megdöntése (07, 14)

1. Döntse meg a motort úgy, hogy a gyújtógyertya (07/1, 14/1) felfelé nézzen.

7.2. A légszűrő tisztítása (05, 12)

TECH 124-140 (05)

- Rendszeresen tisztítsa meg a légszűrőt.
- Cserélje ki a légszűrőt, ha sérült.

1. Távolítsa el a légszűrő fedelét (05/1) a rögzítőfülek (05/2) megnyomásával és a légszűrő fedelének eltávolításával.

2. Vegye ki a szűrőt (05/3), és üsse ki egy kemény felülethez, amíg a szennyeződés el nem távolodik. Ne keféljük ki!

3. Helyezze vissza a szűrőt.

4. Helyezze vissza a légszűrő fedelét, és zárja le, és pattintsa be a rögzítőfüleket.

***FIGYELEM:** A 124-es motor fedele vízszintesen nyílik

TECH 160 (12)

- Rendszeresen tisztítsa meg a légszűrőt.
- Cserélje ki a légszűrőt, ha sérült.

1. Csavarja ki a légszűrő fedelének (12/2) két csavarját (12/1), és vegye le a légszűrő fedelét.

2. Távolítsa el a szűrőt (12/3), és üsse ki egy kemény felülethez, amíg a szennyeződés el nem távolodik. Ne keféljük ki!

3. Helyezze vissza a szűrőt.

4. Helyezze vissza a légszűrő fedelét, és rögzítse a két csavarral.

7.3. OLAJCSERE (06, 13)

Rendszeresen ellenőrizze az olajszintet. Ellenőrizze az olajszintet 5 üzemóránként vagy minden nap indítás előtt a motor.

FIGYELEM! Robbanás- és tűzveszély.

A kiléő üzemanyag robbanásveszélyes benzin/levegő keveréket hoz létre.

Deflagráció, robbanás és tűz okozhat

súlyos vagy akár halálos sérüléseket is okozhat, ha nem kezeli az üzemanyagot megfelelően.

- Az olaj leeresztése előtt űrtse ki az üzemanyagtartályt.

MEGJEGYZÉS Ha Ön, forduljon ügyfélszolgálatunkhoz

nem tudja önállóan elvégezni a munkát.

JEGYZET

- Engedje le a régi olajat, amikor a motor meleg.

A meleg olaj gyorsan és teljesen kifogy.

- A használt olajat környezetbarát módon ártalmatlanítsa!

TECH 124-140 (06)

MEGJEGYZÉS A motor olajkapacitása max. 0,45 l.

1. űrtse le az üzemanyagtartályt.

2. Az üzemanyag eltávolítása a karburátorból: Indítsa be a motort a szabadban, és hagyja járni, amíg le nem áll.

3. Hagyja lehűlni a motort.

4. Távolítsa el a gyújtógyertya csatlakozót (01/5).

5. Csavarja ki az olajpálcat (03/2).

6. A szivattyúval (06/1) szívja ki az olajat és engedje le a tartályba (06/2).

7. Töltse fel új olajjal (SAE 15W-40, töltési térfogat: 0,45 l) egy tölcser segítségével. Feltöltés motorolajjal (04). 8. Ellenőrizze, hogy a szint elérte-e a MAX (03/4) jelzést.

9. Helyezze be az olajszintmérő pálcat, és csavarja szorosan.

10. Távolítson el minden kiömlött olajat.

TECH 160 (13)

MEGJEGYZÉS A motor olajkapacitása max. 0,5 l.

1. űrtse le az üzemanyagtartályt.

2. Az üzemanyag eltávolítása a karburátorból: Indítsa be a motort a szabadban, és hagyja járni, amíg le nem áll.

3. Hagyja lehűlni a motort.

4. Távolítsa el a gyújtógyertya csatlakozót (08/5).

5. Csavarja ki az olajpálcat (13/2).

6. Helyezzen alá egy gyűjtőtartályt (13/3) a régi olaj számára.

7. Döntse meg a motort a gyűjtőtartály fölé, hogy az összes olaj ki tudjon folyni az olajbetöltő nyíláson (13/4).

8. Töltse fel új olajjal (SAE 15W-40, töltési térfogat: 0,5 l)

FELTÖLTÉS MOTOROLAJJAL (04).

9. Ellenőrizze, hogy a szint elérte-e a MAX (10/3) jel.

10. Helyezze be az olajszintmérő pálcat, és csavarja szorosan.

11. Távolítson el minden kiömlött olajat.

7.4. A GYÚJTÓGYERTYA SZERVIZELÉSE (02, 09)

Előírt gyújtógyertya típus: TORCH F6RTC

FONTOS! A motor károsodásának veszélye. Ha a motort nem megfelelő gyújtógyertyával vagy gyújtógyertya nélküli üzemelteti, az súlyos motorkárosodást okozhat!

- Mindig az előírt gyújtógyertya típust használja.

- Soha ne próbálja beindítani a motort gyújtógyertya nélkül.

1. Csavarja ki a gyújtógyertyát (02/1) vagy (09/1) dugókulcs segítségével.

2. Tisztítsa meg az elektródákat (02/2) vagy (09/2) fémkefével, és távolítsa el az esetleges koromlerakódásokat.

3. Ellenőrizze a megfelelő elektróda rést egy házagmérővel.

Megjegyzés: A gyújtógyertya elektródaközének 0,6–0,8 mm-nek kell lennie.

4. Helyezze vissza a gyújtógyertyát, és húzza meg dugókulccsal.

GYÚJTÁS SZIKRA SZABÁLYOZÁS

FIGYELEM! Sérülésveszély áramütés miatt. A gyújtószikra ellenőrzése eltávolított gyújtógyertya mellett súlyos áramütés és tűz által okozott sérülést okozhat.

- Soha ne ellenőrizze a gyújtás szikra működését eltávolított gyújtógyertya mellett. Használjon helyette gyújtási szikravizsgálót.

7.5. A MOTOR TISZTÍTÁSA

FIGYELEM! Robbanás- és tűzveszély. A motoron lévő idegen tárgyak a fűnyíró meggulladását okozhatják. A tűz súlyos sérüléseket okozhat.

- Távolítsa el az éghető törmeléket (pl. fű, levelek, zsír) a motorról, különösen a kipufogó és a henger területéről.

- Rendszeresen ellenőrizze és tisztítsa meg a kipufogót és a hengert.

FONTOS! Veszély a vízből. A behatoló víz (gyújtásrendszer, karburátor...) meghibásodásokhoz vezet.

- Ne permetezze a motort vízzel.

1. Tisztítás előtt hagyja lehűlni a motort.

2. Rendszeresen távolítsa el a szennyeződést a motorról egy tisztítókendővel vagy kefével.

3. Sűrített levegővel fújjon le minden hulladékot és szennyeződést a hangtompítóról és annak burkolatáról.

4. Tisztítsa meg a hűtőrendszert:

- Távolítsa el az akadályokat a hűtőlevegő-nyílásokból.

- A túlmelegedés elkerülése érdekében tisztítsa meg a belső hűtőlapátokat és felületeket is.

5. Törölje le a műanyag részeket nedves szivaccsal és tisztítószerezrel.

7.6. A KARBURÁTOR BEÁLLÍTÁSAI

MEGJEGYZÉS A karburátort csak beállítani szabad hivatalos szervizműhely által.

7.7. KARBANTARTÁSI ÜTEMTERV

Az alábbi munkákat a felhasználó önállóan végezheti el. Minden egyéb karbantartási, szervizelési és javítási munkát hivatalos szervizműhelyben kell elvégezni. Ezen felül kérjük, tartsa be a kenési tervben feltüntetett ajánlott éves kenési feladatokat is.

MEGJEGYZÉS Erős terhelés és magas hőmérséklet esetén az alábbi táblázatban megadottnál rövidebb karbantartási intervallumokra lehet szükség.

8. SEGÍTSÉG HIBA ESETÉN

VIGYÁZAT! Sérülésveszély. Éles szélű és a készülék mozgó részei sérüléshez vezethetnek.

- Mindig viseljen védőkesztyűt a karbantartási, ápolási és tisztítási munkák során.

MEGJEGYZÉS Az ebben a táblázatban nem szereplő meghibásodások esetén, amelyeket saját maga nem tud elhárítani, forduljon ügyfélszolgálatunkhoz.

9. SZÁLLÍTÁS

- Csak akkor szállítsa a motort, ha az üzemanyagtartály üres.
- A motort mindig vízszintesen szállítsa, ellenkező esetben a következők fognak bekövetkezni:
 - Szívárgó üzemanyag és olaj
 - Füstképződés
 - Kezdeti nehézségek
 - Korom a gyújtógyertyán

10. TÁROLÁS

MEGJEGYZÉS Vegye figyelembe a használati utasítást a fűnyíróhoz.

FIGYELEM! Robbanás- és tűzveszély. A benzin és az olaj nagyon gyúlékony. A tűz súlyos sérüléseket okozhat.

- Ne tárolja a készüléket nyílt láng vagy hőforrás közelében.
- Ne tárolja a készüléket olyan helyiségben, ahol elektromos szerszámokat üzemeltetnek. Ha a fűnyíró hosszabb ideig (2-3 hónapnál tovább) nem használják, az üzemanyagot le kell engedni, hogy elkerülje a lerakódásokat az üzemanyagrendszerben. Rövidebb üresjáratú idő esetén az üzemanyag üzemanyag-stabilizátorral véghető.

MEGJEGYZÉS További információért: Kérdezze meg ügyfélszolgálatát.

1. Űrítse le az üzemanyagtartályt.

2. Az üzemanyag eltávolítása a karburátorból: Indítsa el

a motort a szabadban, és hagyja járni, amíg le nem áll.

3. Hagyja lehűlni a motort.

4. Tisztítsa meg a motort.

5. A motor tárolása:

- A motort jól szellőző helyen tárolja, és ne nyílt láng vagy hőforrás közelében.
- Ne tárolja a motort olyan helyen, ahol elektromos motorok vagy elektromos szerszámok működnek.
- Nedvességtől védve tárolandó.

KÖRNYEZETVÉDELEM

Hasznosítsa újra a nyersanyagokat ahelyett, hogy hulladékként dobná el. A gépet, a tartozékokat és a csomagolást szét kell válogatni a környezetbarát újrahasznosítás érdekében. A műanyag alkatrészek kategorizált újrahasznosítás céljából vannak felcímkézve.

GARANCIA

Erre a termékre a törvényi/országspecifikus előírásoknak megfelelő garanciát vállalunk, amely az első felhasználó általi vásárlás napjától érvényes. A normál kopásból, túlterhelésből vagy szakszerűtlen kezeléssel eredő károk nem tartoznak a garancia hatálya alá. Reklamáció esetén kérjük, küldje el a gépet teljesen összeszerelve a kereskedőhöz vagy az elektromos szerszámok szervizközpontjához.

RENDSZERES SZOLGÁLTATÁSI IDŐSZAK

ITEM Végezzen minden jelzett hónapban vagy üzemóra intervallum, amelyik előbb bekövetkezik.		Minden használat előtt	Első hónap vagy 5 óra	Minden 3 hónap vagy 25 óra	Minden 6 hónap vagy 50 óra	Évente vagy 100 óránként	Kétévente vagy 250 óránként
Motorolaj	Jelölje be	O					
	Cserélje ki		O		O		
Légtisztító	Jelölje be	O					
	Cserélje ki			O			
Gyújtógyertya	Ellenőrzés-beállítás					O	
	Cserélje ki						O
Üzemanyagtartály és szűrő	Tiszta					O	
Üzemanyagcső	Jelölje be	2 évente (szükség esetén cserélje ki)					
Penge	Jelölje be	O					
	Cserélje ki					O*	

* Ha bármilyen sérülést észlel, a pengét ki kell cserélni.

MŰSZAKI ADATOK

Cikkszám	45 681	45 682	45 697	45 698
Modell	GLM 40/124 P EASY	GLM 42/124 SP EASY	GLM 46/140 SP PLUS	GLM 51/160 SP PLUS
Vágási szélesség	400mm	420mm	460mm	510mm
Motor modell	DK1P62FE/P	DK1P62FE/P	SL140	SL160A
Motor lökettér-fogat	124.4 cm ³	124.4 cm ³	140 cm ³	160 cm ³
Motor névleges teljesítmény	2,4hp	2,4hp	2,7hp	3,1hp
Hajtásrendszer	Kézi nyomás	Önjáró	Önjáró	Önjáró
Az üzemanyag-tartály térfogata	0,85 L	0,85 L	0,9 L	1,2 L
A kenőolaj-tartály térfogata	0,4 L	0,4 L	0,45 L	0.5 L
Névleges sebesség	2850 min-1	2850 min-1	2900 min-1	2900 min-1
Fűzsák kapacitása	50L	50L	70 L	70 L
Állítható vágási magasság	20 - 68 mm / 7 szakasz	25 - 85 mm / 7 szakasz	25 - 70 mm / 7 szakasz	25 - 70 mm / 7 szakasz
Mulcsozó dugó	/	/	Yes	Yes
Oldalsó kisülés	/	/	/	Yes

GYORS HIBAELHÁRÍTÁS

Probléma	Valószínű oka	Javasolt orvosság
A motor nem indul be	Elfogyott vagy majdnem kifogyott az üzemanyag	Töltse fel a tartályt ólommentes benzinnel
	A gyújtógyertya lemerült	Cserélje ki egy megfelelő új gyújtógyertyára
	Gyújtógyertya piszkos	Tisztítsa meg vagy cserélje ki új gyújtógyertyára
	A gyújtógyertya nincs csatlakoztatva	Nyomja meg erősen a csatlakozófedeleket
	Elárasztott motor	Kapcsolja ki az üzemanyagot, majd húzza az indítókötelet, amíg a fűnyíró el nem indul, majd kapcsolja be az üzemanyagot
	Régi benzin a tankban	Engedje le az elhasználódott üzemanyagot, és cserélje ki új ólommentesre
	Víz az üzemanyagtartályban	Forduljon egy hivatalos vizonteladóhoz
A motor gyakran leáll	Blokkolt üzemanyag-ellátás	Győződjön meg arról, hogy az üzemanyagvezeték nincs becsípve vagy eltömődött
	Az üzemanyagsapka nem szellőzik	Lehet, hogy kissé meg kell lazítania a tanksapkát
	Rossz típusú üzemanyag	Ürítse le a benzintartályt, és töltsen fel új ólommentes
A motor elveszti teljesítményét	Piszkos légszűrő szűrő	Tisztítsa meg vagy cserélje ki egy új légszűrőre
	Hibás magasságállítás	Emelje fel a fűnyíró vágási magasságának karját
	Eltömődött a tanksapka szellőzőnyílásai	Győződjön meg arról, hogy az üzemanyag-tartály kupakján lévő 3 lyuk tiszta
A fűnyíró túlságosan vibrál	Laza vágópenge	Ellenőrizze és húzza meg a csavarokat és anyákat
	Hajlított vagy törött pengék	Cserélje ki a késeket
	Túlzott mértékű fű/szennyeződések felhalmozódása	Tisztítsa meg, és ügyeljen arra, hogy az alsó rész ne legyen lerakódástól
	A lemez vagy a pengék elhasználódtak/sérültek	Cserélje ki a késeket

LIETUVIŲ K.

1. APIE ŠIAS VEIKSMUS

INSTRUKCIJOS

- Šias naudojimo instrukcijas visada laikykite saugioje vietoje, kad prireikus informacijos apie gaminį būtų galima perskaityti.
- Perduokite gaminį kitiems asmenims tik kartu su šia naudojimo instrukcija.
- Laikykitės šioje naudojimo instrukcijoje pateiktų saugos ir įspėjimų nurodymų.
- Taip pat laikykites pridedamos prietaiso naudojimo instrukcijos.

1.1 LEGENDOS IR SIGNALINIAI ŽODŽIAI

PAVOJUS! Žymi neišvengiamai pavojingą situaciją, kuri gali baigtis mirtimi arba sunkiais sužalojimais, jei nebus išvengta.

ISPĖJIMAS! Žymi potencialiai pavojingą situaciją, kuri gali baigtis mirtimi arba sunkiais sužalojimais, jei nebus išvengta.

ATSARGIAI! Žymi potencialiai pavojingą situaciją, kurios neišvengus gali būti lengvai arba vidutiniškai susižalota.

SVARBU! Žymi situaciją, kurios neišvengus gali būti padaryta materialinė žala.

PASTABA Specialios instrukcijos, kad būtų lengviau suprasti ir tvarkymas.

2. PREKĖS APRAŠYMAS

Šioje dokumentacijoje aprašomi du vidaus degimo variklio variantai – toliau – „variklis“. Laikykitės instrukcijų, susijusių su jūsų prietaisu.

- Tech 124-140
- Tech 160

Be to, visada laikykites vejąplovės naudojimo instrukcijos, kurioje yra atitinkama sumontuotas variklis.

2.1. NAUDOJIMAS PAGAL PASKIRTĮ

Variklis buvo skirtas vejąplovėms vairuoti asmeniui naudoti. Dėl išmetamųjų dujų jis turi būti naudojamas tik lauke, o ne patalpose. Bet koks naudojimas ne pagal paskirtį bus laikomas netinkamu naudojimui. Šis variklis skirtas naudoti tik nekomerciniais tikslais. Bet koks kitoks naudojimas (taip pat neleistinas pakeitimas ar papildymas) laikomas prieštaraujanti numatytu naudojimui ir dėl to netaikoma garantija bei prarandama atitiktis (CE ženklas); todėl gamintojas nepriima atsakomybės už žalą ir (arba) sužalojimą, kurį patyrė vartotojas ar trečiosios šalys.

2.2. IDENTIFICATION (01, 08)

No	KOMPONENTAS
1	Dangtelis (su matuokliu) alyvos įpylimo angai
2	Oro filtro dangtelis
3	Kuro bako dangtelis
4	Starterio rankena
5	Uždegimo žvakės jungtis
6	Grunto mygtukas

3. SAUGOS INSTRUKCIJOS

PAVOJUS! Pavojus mirtinai susižaloti ir labai sunkių sužalojimų pavojus! Saugos instrukcijų ir naudojimo instrukcijų neišmanymas gali sukelti labai rimtus ir net mirtinus sužalojimus.

- Prieš pradėdami naudoti prietaisą, laikykitės visų šioje naudojimo instrukcijoje pateiktų saugos ir naudojimo instrukcijų, taip pat naudojimo instrukcijų, kurios nurodytos.
- Visus pateiktus dokumentus laikykite saugioje vietoje, kad galėtumėte pasinaudoti ateityje.
- Apsinuodijimo pavojus. Variklio išmetamosiose dujose yra anglies monoksido, kuris per kelias minutes gali nužudyti žmogų. Prieš naudodami arba naudodami atkreipkite dėmesį į šiuos dalykus:
 - Variklį naudokite tik lauke, niekada uždaroje patalpoje.
 - Neįkvėpkite variklio išmetamųjų dujų.
- IŠJUNKITE VARIKLĮ, JEI NAUDODAMIESI ŠIUO PRIETAISU JAUČIATE PYKINIMĄ, GALVOS SVAIGIMĄ AR SILPNUMĄ.
- Naudokite tik nepriekaištingos techninės būklės variklį.
- Neišjunkite saugos ir apsauginių įtaisų.
- Dėvėkite ausų apsaugas.
- Atidžiai perskaitykite ir laikykitės šios naudojimo instrukcijos bei vejąplovės, kurioje sumontuotas šis variklis, naudojimo instrukcijų. Sužinokite, kaip greitai sustabdyti variklį.
- Nenaudokite starterių purškalo ar panašių priemonių.

3.1 OPERATORIUS

- Jaunesniems nei 16 metų asmenims ir asmenims, kurie nežino naudojimo instrukcijos, draudžiama naudotis varikliu. Laikykitės visų šalyje galiojančių saugos taisyklių, susijusių su minimaliu naudotojo amžiumi.
- Nenaudokite variklio, jei esate apsvaigęs nuo alkoholio, narkotikų ar vaistų.

3.2 ASMENŲ, GYVŪNŲ IR TURTO SAUGA

- Variklį naudokite tik pagal paskirtį. Bet koks naudojimas ne pagal paskirtį gali susižaloti ir sugadinti turtą.
- Naudotojas yra atsakingas už nelaimingus atsitikimus, susijusius su kitais žmonėmis ir jų turto.
- Neleiskite trečiosioms šalims patekti į pavojingą zoną.
- Įjunkite variklį tik tada, kai darbo zonoje nėra žmonių ar gyvūnų.
- Laikykitės saugaus atstumo iki žmonių ar gyvūnų arba išjunkite variklį, jei žmonės ar gyvūnai artinasi.
- Niekada nenukreipkite variklio išmetamųjų dujų srovės į žmones ir gyvūnus arba į degius produktus ir daiktus.
- Kai variklis veikia, neikiškite rankų į siurbimo ir ventiliacijos groteles. Sužalojimai gali atsirasti dėl besisukančių prietaiso dalių.
- Visada išjunkite variklį, kai jo nenaudojate, pvz. keičiant darbo vietą, atliekant techninę priežiūrą ir pilnant benzino/alyvos mišinį.
- Neekspluatuokite variklio prastai vėdinamose dar-

bo vietose (pvz., garaže). Išmetamosiose dujose yra nudojingas anglies monoksido ir kitų kenksmingų medžiagų.

- Įvykus nelaimingam atsitikimui, nedelsdami išjunkite variklį, kad išvengtumėte tolesnių sužalojimų ir (arba) žalos turtui.
- Niekada nenaudokite variklio su susidėvėjusiomis arba sugedusiomis dalimis. Susidėvėjusios arba sugedusios dalys gali rimtai susižaloti.
- Naudokite tik originalias atsargines dalis ir originalius priedus.
- Variklį laikykite vaikams nepasiekiamoje vietoje.
- Neleiskite vaikams ir paaugliams žaisti su varikliu.

3.3 BENZINO IR ALYVOS TVARKYMAS

- Sprogimo ir gaisro pavojus: Išbėgantis benzino ir oro mišinys gali sukelti sprogią atmosferą. Defliacija, sprogimas ir gaisras gali sukelti rimtų ir net mirtinų sužalojimų, jei kuras netinkamai elgiamasi. Laikykitės šių dalykų:
 - Nerūkykite dirbdami su benziniu benzinu.
 - Benziną tvarkykite tik lauke ir niekada uždaroje patalpoje.
 - Būtina paaisyti toliau pateiktose elgesio kodekse.
 - Transportuokite ir laikykite benziną ir alyvą tik tam skirtose talpyklose. Užtikrinkite, kad vaikai negalėtų prieiti prie laikomo benzino ir alyvos.
 - Kad pilant būtų išvengta grunto užteršimo (aplinkos apsauga), pasirūpinkite, kad į dirvą nepatektų benzino ar alyvos. Užpildymui naudokite piltuvą.
 - Niekada nepildykite prietaiso uždaroje patalpoje. Benzino garai gali susikaupti ant žemės ir taip sukelti deflagraciją ar net sprogimą.
 - Nedelsdami nuvalykite išsiliejusį benziną nuo prietaiso ir žemės. Prieš išmesdami tekstilės gaminius, naudojamus benziniui nušluostyti, leiskite išdžiūti gerai vėdinamoje vietoje. Priešingu atveju gali įvykti staigus savaiminis užsidegimas.
 - Jei benziną išsiliejo, susidaro benzino garų. Dėl šios priežasties neužveskite variklio toje pačioje vietoje ir perkelkite jį bent 3 m atstumu.
 - Venkite mineralinių aliejų produktų sąlyčio su oda. Neįkvėpkite benzino garų. Pildydami visada mūvėkite apsaugines pirštines. Reguliariai keiskite ir valykite apsauginius drabužius.
 - Užtikrinkite, kad jūsų drabužiai nesiliestų su benziniu. Jei ant drabužių pateko benzino, nedelsdami juos pakeiskite.
 - Niekada nepripildykite prietaiso, kai variklis veikia arba kaitas.

4. PALEIDIMAS

PASTABA Prieš paleidžiant:

- Visada atlikite vizualinį patikrinimą. Nenaudokite variklio, jei valdymo ir (arba) tvirtinimo dalys yra laisvos, pažeistos arba susidėvėjusios.
- Būtinai įpilkite variklio alyvos.

4.1 PATIKRINKITE BENDRĄ VARIKLIO BUKLĘ

1. Patikrinkite, ar variklyje nėra:

- Variklio išorėje ir apačioje yra alyvos arba benzino nuotėkio požymių.

- Per didelis nešvarumas arba svetimkūniai
- Žalos požymiai
- Visų veržlių, varžtų ir varžtų sandarumas
- Tvirtas prigludimas ir visų ekranų bei dangčių buvimas
- Oro filtro pažeidimas arba užteršimas
- Kuro lygis
- Variklio alyvos lygis

2. PRIEŠ PALEISDAMI PAŠALINKITE VISUS NUSTATYTUS DEFEKTUS.

4.2. DEGAŲ UŽPILDYMAS

ĮSPĖJIMAS! Sprogimo ir gaisro pavojus. Benzinai ir alyva yra labai degūs. Gaisras gali sukelti rimtų sužalojimų.

- Degalų ir alyvą pildykite tik atviroje vietoje ir niekada šalia atviro liepsnos ar šilumos šaltinio.
- Nedelsdami pakeiskite baką arba bako dangtelį, jei jis pažeistas.
- Visada sandariai uždarykite bako dangtį.
- Jei benzinai nutekėjo:
 - Neužveskite variklio.
 - Venkite paleisti bandymų.
 - Išvalykite veļapjavę ir variklį.
- Išsilieję degalai gali pažeisti plastikines dalis: Nedelsdami nuvalykite degalus. Garantija netaikoma plastikinių dalių pažeidimams, atsiradusiems dėl degalų.

4.2.1. ALYVOS LYGIO PATIKRINIMAS (03, 10)

SVARBU! Variklio pažeidimo pavojus. Žemas alyvos lygis gali sugadinti variklį.

- Reguliariai tikrinkite alyvos lygį.
- Jei lygis žemas, įpilkite švarios alyvos.

TECH 124-140 (03)

1. Išjunkite variklį ir leiskite jam atvėsti.
- Pastaba:** variklis turi būti lygus.
2. Pašalinkite visus svetimkūnius, esančius šalia alyvos įpylimo angos.
3. Atsukite alyvos lygio matuoklį (03/1) iš alyvos įpylimo angos (03/2) ir nuvalykite.
4. Įkiškite alyvos lygio matuoklį (03/1) į alyvos įpylimo angą (03/2), kol dangtelis susilies su pildymo angos kakleliu (neužsukite), ir vėl jį nuimkite.
5. Patikrinkite, ar lygis yra tarp MIN (03/3) ir MAX (03/4) ženklų.
6. Kai alyvos lygis yra šalia arba žemiau MIN žymos (03/3): Įpilkite alyvos, žr. skyrių 4.2.2 „Variklio alyvos užpildymas (04, 11)“.
7. Įkiškite alyvos lygio matuoklį ir priveržkite.
8. Pašalinkite išsiliejusią alyvą.

TECH 160 (10)

1. Išjunkite variklį ir leiskite jam atvėsti.
- Pastaba:** variklis turi būti lygus.
2. Pašalinkite visus svetimkūnius, esančius šalia alyvos įpylimo angos.
3. Atsukite alyvos lygio matuoklį (10/1) iš alyvos įpylimo angos (10/2) ir nuvalykite.
4. Įkiškite alyvos lygio matuoklį (10/1) į alyvos įpylimo

angą (10/2), kol dangtelis susilies su pildymo angos kakleliu (neužsukite), ir vėl jį nuimkite.

5. Patikrinkite, ar lygis yra tarp MIN (10/3) ir MAX (10/4) ženklų.

6. Kai alyvos lygis yra šalia arba žemiau MIN žymos (10/3): įpilkite alyvos, žr. skyrių 4.2.2 „Variklio alyvos užpildymas (04, 11)“.

7. Įkiškite alyvos lygio matuoklį ir priveržkite.

8. Pašalinkite išsiliejusią alyvą.

4.2.2. VARIKLIO ALYVOS UŽPILDYMAS (04, 11)

Alyvos rekomendacijos

Variklio alyva yra lemiamas veiksnys našumui ir variklio tarnavimo laikas.

- Naudokite ploviklio variklinę alyvą, atitinkančią SF arba aukštesnės (arba lygiavertės) API aptarnavimo klasės reikalavimus.
- Patikrinkite API aptarnavimo etiketę ant alyvos talpyklos, kad įsitikintumėte, jog yra raidžių SF arba aukštesnės (arba lygiavertės) klasės raidės.
- SAE 15W-40 rekomenduojamas bendram naudojimui. Rekomenduojamas šios alyvos veikimo temperatūros diapazonas yra nuo 5°C iki 38°C.

SVARBU! Variklio pažeidimo pavojus. Naudojant SAE 15W-40 alyvą (monogradinę vasarinę alyvą) žemesnėje nei +5°C temperatūroje, dėl nepakankamo tepimo gali būti sugadintas variklis.

- Temperatūros diapazonui nuo 0°C iki 40°C naudokite SAE 15W-40.
- Naudojant kelių rūšių alyvas aukštesnėje temperatūroje gali sunaudoti daugiau. Todėl dažniau tikrinkite alyvos lygį.
- Nemaišykite skirtingų rūšių ir skirtingų savybių aliejų.

Užpildymas aliejumi

PASTABA Nepilkite alyvos lygio aukščiau MAX. Per daug aliejaus sukels:

- Dūmai išmetimo vamdyje
- Užterštos žvakės arba oro filtras

TECH 124-140 (04)

PASTABA Variklio alyvos talpa yra maks. 0,45 l.

1. Įpilkite variklio alyvos į tinkamą indą.
2. Ištraukite alyvos lygio matuoklį (04/1) iš alyvos įpylimo angos (04/2).
3. Lėtai ir nedideliais kiekiais įpilkite aliejaus alyvos pildymo anga, naudojant piltuvą.
4. Įdėkite ir užfiksukite alyvos lygio matuoklį.
5. Pašalinkite išsiliejusią alyvą.

TECH 160 (11)

PASTABA Variklio alyvos talpa yra maks. 0,5 l.

1. Įpilkite variklio alyvos į tinkamą indą.
2. Ištraukite alyvos lygio matuoklį (11/1) iš alyvos įpylimo angos (11/2).
3. Lėtai ir mažais kiekiais įpilkite alyvos į alyvos įpylimo angą.
4. Įkiškite alyvos lygio matuoklį ir priveržkite.
5. Pašalinkite išsiliejusią alyvą.

4.2.3. BENZINO ĮPYLIMAS (01, 08)

Rekomendacijos dėl benzino

- Mažiausiai naudokite švarų, šviežią, bešvinį benzino oktaninis skaičius 90.
- Pirkite kurą tokiais kiekiais, kuriuos galite sunaudoti per 30 dienų.
- Priimtinas benzinas su iki 10 % etanolio.
- Nemaišykite benzino su alyva.
- Užveskite ir leiskite varikliui veikti tik lauke.

UŽPILDYMAS BENZINU

1. Nuimkite bako dangtelį (01/3) arba (08/3).

2. Pripildykite baką iki apatinio alyvos įpylimo vamzdžio krašto. Neperpildykite.

3. Vėl tvirtai užsukite bako dangtelį (01/3) arba (08/3).

5. VARIKLIO VALDYMAS

Daugiau informacijos rasite veļapjovės naudojimo instrukcijoje.

PAVOJUS! Apsinuodijimo pavojus. Variklio išmetamosiose dujose yra anglies monoksido, kuris per kelias minutes gali nužudyti žmogų.

- Užveskite ir eksploatuokite variklį tik lauke.
- Niekada nenaudokite variklio uždaroje patalpose, net jei langai ir durys yra atidaryti.
- Neįkvėpkite variklio išmetamųjų dujų.
- Išjunkite variklį, jei naudojimo metu jaučiate pykinimą, galvos svaigimą ar silpnumą. Nedelsdami kreipkitės į gydytoją.

ĮSPĖJIMAS! Sprogimo ir gaisro pavojus.

Benzinas ir alyva yra labai degūs. Gaisras gali sukelti rimtų sužalojimų.

- Niekada nenaudokite starterio purkštuvo ar pan.

ĮSPĖJIMAS! Nudėgimų pavojus. Veikdami varikliai labai įkaista!

- Niekada nelieskite variklio dalių, ypač išmetimo.
- Prieš liesdami leiskite išmetimo vamzdžiui, cilindru ir aušinimo mentėms atvėsti.

ĮSPĖJIMAS! Pavojus dėl besisukančių prietaiso dalių! Pasiekę besisukančių prietaiso dalių, galite sunkiai susižaloti!

- Niekada neikiškite rankų prie besisukančių dalių.
- Prieš pradėdami naudoti variklį, laikykitės prietaiso naudojimo instrukcijų.
- Užveskite ir leiskite varikliui veikti tik lauke.
- Nenaudokite variklio pasivirsusioje padėtyje, kurios kampas didesnis nei 15°.
- Užveskite variklį tik horizontalioje padėtyje.
- Nekreipkite mašinos taip toli, kad iš kuro bako dangtelio bėgtų degalai.
- Patikrinkite alyvos lygį.
- Suriškite ilgus plaukus ir nuimkite papuošalus.
- Nedėvėkite laisvų drabužių.
- Dėvėkite tvirtus, neslystančius batus.
- Nekeiskite pagrindinio variklio nustatymo ar viršijimo.
- Užvesdami laikykitės saugaus atstumo.
- Prieš nuimdami bako dangtelį, išjunkite variklį ir leiskite atvėsti.
- Prieš tikrindami, valydami ar dirbdami su mašina ar varikliu, išjunkite variklį, leiskite jam atvėsti ir ištraukite uždegimo žvakės laidą.
- Prieš liesdami cilindro braunas ir apsauginį korpusą

palaukite, kol variklis pakankamai atvės.
• Neverskite variklio be uždegimo žvakės.

5.1. VARIKLIO UŽVEDIMAS IR IŠJUNGIMAS (01, 08)

PASTABA Laikykitės vejamųjų naudojimui instrukcijų.

PASTABA Variklis turi fiksuotą dujų nustatymą. Greičio reguliavimas neįmanomas.

VARIKLIO UŽVEDIMAS

ATSARGIAI! Pavojus susižeisti! Atatrunkos pavojus: starterio trosas gali greičiau grįžti prie variklio, nei jis gali būti atlaisvintas.

• Numatykite staigų sukretimą, kai patraukėte starterio trosą.

PASTABA

• Grunto naudoti nebūtina, norint iš naujo užvesti variklį, kuris jau buvo šiltas.

• Paspauskite grunto mygtuką (01/6) arba (08/6) 3 kartus, maždaug kaskart. 2 sekundes. Kai temperatūra žemesnė nei 10°C, 5 kartus paspauskite grunto mygtuką.

• Greitai ištraukite starterio trosą (01/4) arba (08/4) ir leiskite jam lėtai susivynioti.

Kai variklis veikia:

• Rankas ir kojas laikykite toliau nuo besisukančių dalių.

• Saugokite degius daiktus nuo išmetimo vamzdžio ir cilindro srities.

• Prieš liesdami leiskite išmetimo vamzdžiui, cilindrui ir aušinimo mentėms atvėsti. Variklio išjungimas

• Laikykitės vejamųjų naudojimui instrukcijų.

6. REMONTAS

ISPĖJIMAS! Sužalojimo pavojus atliekant remonto darbus. Netinkamas remontas gali sukelti rimtų sužalojimų ir sugadinti prietaisą.

• Remonto darbus gali atlikti tik įgalioti darbuotojai.

• Leidžiamos tik originalios atsarginės dalys.

7. PRIEŽIŪRA IR PRIEŽIŪRA

ISPĖJIMAS! Pavojus susižeisti. Netyčia įjungus variklį galima rimtai susižaloti.

• Prieš nustatydami, techninės priežiūros ir remonto darbus visada išjunkite variklį ir apsaugokite, kad jis vėl neįsijungtų.

• Reguliari techninė priežiūra yra būtina saugai ir našumui palaikyti.

• Laikykitės techninės priežiūros grafiko.

• Norint naudoti sudėtingesnes sąlygomis, reikalinga dažnesnė priežiūra.

1. Prieš visus techninės priežiūros ir valymo darbus: ištraukite uždegimo žvakės jungtį (01/5) nuo uždegimo žvakės.

2. Šiame skyriuje aprašytus techninės priežiūros ir valymo darbus atlikite pagal techninės priežiūros grafiką.

3. Po priežiūros ir valymo darbų: Vėl prijunkite uždegimo žvakės jungtį (01/5) prie uždegimo žvakės.

7.1 Variklio pakreipimas (07, 14)

1. Pakreipkite variklį taip, kad uždegimo žvakė (07/1, 14/1) būtų nukreipta į viršų.

7.2. Oro filtro valymas (05, 12) Tech 124-140 (05)

• Reguliariai valykite oro filtrą.

• Pakeiskite oro filtrą, jei jis pažeistas.

1. Nuimkite oro filtro dangtelį (05/1), paspausdami fiksavimo ašelius (05/2) ir nuimdami oro filtro dangtelį.

2. Išimkite filtrą (05/3) ir išmuškite jį į kietą paviršių, kol bus pašalinti nešvarumai. Nenuplaukite!

3. Iš naujo įdėkite filtrą.

4. Vėl uždėkite oro filtro dangtelį ir uždarykite jį, įspausdami fiksavimo ašelius.

***DĖMESIO:** 124 variklio dangtis atsidaro horizontaliai

TECH 160 (12)

• Reguliariai valykite oro filtrą.

• Pakeiskite oro filtrą, jei jis pažeistas.

1. Atsukite du oro filtro dangtelio (12/2) varžtus (12/1) ir nuimkite oro filtro dangtelį.

2. Išimkite filtrą (12/3) ir išmuškite jį į kietą paviršių, kol bus pašalinti nešvarumai. Nenuplaukite!

3. Iš naujo įdėkite filtrą.

4. Vėl uždėkite oro filtro dangtelį ir pritvirtinkite dviem varžtais.

7.3. ALYVOS KEITIMAS (06, 13)

Reguliariai tikrinkite alyvos lygį. Patikrinkite alyvos lygį kas 5 darbo valandas arba kiekvieną dieną prieš pradėdant variklį.

ISPĖJIMAS! Sprogimo ir gaisro pavojus. Išbėgantis kuras sukuria sprogstamą benzino ir oro mišinį.

Gali sukelti defliaciją, sprogimą ir gaisrą rimtų ir net mirtinų sužalojimų, jei nenaudojamas kuras tinkamai.

• Prieš išleidami alyvą, ištuštinkite kuro baką.

PASTABA Susisiekiate su mūsų klientų aptarnavimo tarnyba pats negali atlikti darbų.

PASTABA

• Kai variklis šiltas, išleiskite seną alyvą.

Šiltas aliejus greitai ir visiškai išbėga.

• Panaudotą alyvą išmeskite ekologiškai!

TECH 124-140 (06)

PASTABA Variklio alyvos talpa yra maks. 0,45 l.

1. Ištuštinkite degalų baką.

2. Norėdami pašalinti kurą iš karbiuratoriaus: Užveskite variklį lauke ir leiskite jam veikti, kol sustos.

3. Leiskite varikliui atvėsti.

4. Nuimkite uždegimo žvakės jungtį (01/5).

5. Atsukite alyvos lygio matuoklį (03/2).

6. Siurbliu (06/1) ištraukite alyvą ir išleiskite ją į baką (06/2).

7. Įpilkite naujos alyvos (SAE 15W-40, įpylimo tūris:

0,45 l) naudodami piltuvą. Pildymas variklio alyva (04). 8. Patikrinkite, ar lygis pasiekė MAX (03/4) ženklą.

9. Įkiškite alyvos lygio matuoklį ir priveržkite.
10. Pašalinkite išsiliejusią alyvą.

TECH 160 (13)

PASTABA Variklio alyvos talpa yra maks. 0,5 l.

1. Ištuštinkite degalų baką.
2. Norėdami pašalinti kurą iš karbiuratoriaus: Užveskite variklį lauke ir leiskite jam veikti, kol sustos.
3. Leiskite varikliui atvėsti.
4. Nuimkite uždegimo žvakės jungtį (08/5).
5. Atsukite alyvos lygio matuoklį (13/2).
6. Po apacia padėkite senos alyvos surinkimo indą (13/3).
7. Pakreipkite variklį virš surinkimo bako, kad visa alyva galėtų ištekėti iš alyvos įpylimo angos (13/4).
8. Įpilkite naujos alyvos (SAE 15W-40, užpildymo tūris: 0,5 l)

VARIKLIO ALYVOS UŽPILDYMAS (04).

9. Patikrinkite, ar lygis pasiekė MAX (10/3) ženklą.
10. Įkiškite alyvos lygio matuoklį ir priveržkite.
11. Pašalinkite išsiliejusią alyvą.

7.4. UŽDEGIMO ŽVAKĖS (02, 09) PRIEŽIŪRA

Nurodytas uždegimo žvakės tipas: TORCH F6RTC

SVARBU! Variklio pažeidimo pavojus. Variklio eksploatavimas su netinkama uždegimo žvake arba be uždegimo žvakės gali rimtai sugadinti variklį!

- Visada naudokite nurodyto tipo uždegimo žvakę.
- Niekada nebandykite užvesti variklio be uždegimo žvakės.

1. Atsukite uždegimo žvakę (02/1) arba (09/1) naudodami lizdinį veržliaraktį.
2. Metaliniu šepėčiu nuvalykite elektrodus (02/2) arba (09/2) ir pašalinkite suodžių nuosėdas.
3. Patikrinti teisingą elektrodo tarpą jutimo matuokliu.

Pastaba: uždegimo žvakės elektrodų tarpas turi būti 0,6–0,8 mm.

4. Vėl įkiškite uždegimo žvakę ir priveržkite veržliaraktį.

UŽDEGIMO KIBIRKŠTIES VALDYMAS

ĮSPĖJIMAS! Pavojus susižeisti dėl elektros smūgio. Uždegimo kibirkšties patikrinimas ištraukus uždegimo žvakę gali rimtai susižaloti dėl elektros smūgio ir gaisro.

- Niekada netikrinkite uždegimo kibirkšties funkcijos ištraukę uždegimo žvakę. Vietoj to naudokite uždegimo kibirkšties testerį.

7.5. VARIKLIO VALYMAS

ĮSPĖJIMAS! Sprogimo ir gaisro pavojus. Ant variklio esantys pašaliniai daiktai gali sukelti vejąpovės užsidegimą. Gaisras gali sukelti rimtų sužalojimų.

- Pašalinkite degias šiukšles (pvz., žolę, lapus, riebalus) nuo variklio, ypač iš išmetimo ir cilindro srities.
- Reguliariai tikrinkite ir valykite išmetimo vamzdį ir cilindro sritį.

SVARBU! Pavojus dėl vandens. Prasiskverbiantis vanduo (uždegimo sistema, karbiuratorius...) gali sukelti gedimus.

- Nepurškite variklio vandens.

1. Prieš valydami leiskite varikliui atvėsti.
2. Reguliariai pašalinkite nešvarumus nuo variklio valymo šluoste arba šepėčiu.
3. Suslėgtu oru nušukite visas atliekas ir purvo likučius nuo duslintuvo ir jo dangčio.
4. Išvalykite aušinimo sistemą:
 - Pašalinkite kliūtis nuo aušinimo oro angų.
 - Kad išvengtumėte perkaitimo, taip pat nuvalykite vidines aušinimo mentes ir paviršius.
5. Plastikines dalis nuvalykite drėgna kempine ir valikliu.

7.6. KARBIURATORIAUS NUSTATYMAI

PASTABA Karbiuratorių reikia tik reguliuoti įgaliotose techninės priežiūros dirbtuvėse.

7.7. PRIEŽIŪROS GRAFIKAS

Toliau nurodytus darbus vartotojas gali atlikti savarankiškai. Visi kiti techninės priežiūros, priežiūros ir remonto darbai turi būti atliekami įgaliotose techninės priežiūros dirbtuvėse. Be to, laikykitės rekomenduojamų metinių tepimo darbų, nurodytų tepimo plane.

PASTABA Esant stipriai apkrovai ir aukštai temperatūrai, gali prireikti trumpesnių priežiūros intervalų, nei nurodyta toliau esančioje lentelėje.

8. PAGALBA SUTRIKUS VEIKSMĄ

ATSARGIAI! Pavojus susižeisti. Aštriais kraštais o judančios prietaiso dalys gali susižaloti.

- Priežiūros, priežiūros ir valymo darbų metu visada mūvėkite apsaugines pirštines.

PASTABA Dėl gedimų, kurie nėra išvardyti šioje lentelėje arba kurių negalite pašalinti patys, susisiekieta su mūsų klientų aptarnavimo tarnyba.

9. TRANSPORTAS

- Transportuokite variklį tik tada, kai degalų bakas yra tuščias.
- Visada gabenkite variklį horizontaliai, priešingu atveju atsitiks:
 - Nutekėję degalai ir alyva
 - Dūmų susidarymas
 - Pradėjimo sunkumai
 - Suodžiai ant uždegimo žvakės

10. SANDĖLIAVIMAS

PASTABA Laikykitės naudojimo instrukcijų vejąpovei.

ĮSPĖJIMAS! Sprogimo ir gaisro pavojus. Benzinas ir alyva yra labai degūs. Gaisras gali sukelti rimtų sužalojimų.

- Nelaiikykite prietaiso šalia atviros liepsnos ar šilumos šaltinių.
- Nelaiikykite prietaiso patalpoje, kurioje naudojami elektriniai įrankiai. Jei vejąpovė nenaudojama ilgą laiką (ilgiau nei 2–3 mėnesius), degalus reikia išleisti, kad kuro sistemoje nesudarytų nuosėdų. Esant trumpesniais tuščiosios eigos laikotarpiui, degalus galima apsaugoti degalų stabilizatoriumi.

PASTABA Daugiau informacijos teiraukitės savo klientų aptarnavimo tarnybos.

1. Ištuštinkite degalų baką.
2. Norėdami pašalinti kurą iš karbiuratoriaus: paleiskite variklį lauke ir leiskite jam veikti, kol sustos.
3. Leiskite varikliui atvėsti.
4. Išvalykite variklį.
5. Variklio laikymas:
 - Laikykite variklį gerai vėdinamoje vietoje, o ne šalia atviros liepsnos ar šilumos šaltinių.
 - Nelaikykite variklio ten, kur naudojami elektros varikliai arba elektriniai įrankiai.
 - Laikyti apsaugotoje nuo drėgmės.

APLINKOS APSAUGA

Perdirbkite žaliavas, o ne išmeskite kaip atliekas. Mašina, priedai ir pakuotės turi būti rūšiuojamos taip, kad jos būtų perdirbtos nekenksmingos aplinkai. Plastikiniai komponentai yra paženklinėti, kad juos būtų galima perdirbti.

GARANTIJA

Šiam gaminiui suteikiama garantija pagal teisinius / konkrečios šalies reglamentus, kurie galioja nuo pirmojo naudotojo įsigijimo datos. Garantija netaikoma žalai, atsiradusioms dėl normalaus nusidėvėjimo, perkrovos ar netinkamo naudojimo. Jei turite pretenzijų, visiškai surinktą mašiną nusiųskite pardavėjui arba elektrinių įrankių aptarnavimo centrui.

NUOLATINIS APTARNAVIMAS

ITEM Atlikite kiekvieną nurodytą mėnesį arba darbo valandų intervalą, atsižvelgiant į tai, kas įvyksta anksčiau.		Prieš kiekvieną naudojimą	Pirmas mėnesis arba 5 valandas	kas 3 mėnesius arba 25 valandas	kas 6 mėnesiai arba 50 valandų	Kasmet arba 100 valandų	Kas dvejus metus arba 250 valandų
Variklio alyva	Patikrinti	○					
	Pakeiskite		○		○		
Oro gaiviklis	Patikrinti	○					
	Pakeiskite			○			
Uždegimo žvakė	Patikrinkite - sureguliuokite					○	
	Pakeiskite						○
Kuro bakas ir filtras	Švarus					○	
Kuro vamzdis	Patikrinti	Kas 2 metus (jei reikia, pakeiskite)					
Ašmenys	Patikrinti	○					
	Pakeiskite					○*	

*Pastebėjus bet kokius pažeidimus, ašmenis reikia pakeisti.

GREITAS TRIKČIŲ ŠALINIMAS

Problema	Tikėtina priežastis	Siūloma priemonė
Variklis neužsiveda	Baigėsi arba beveik baigėsi kuras	Užpildykite baką bešvinio benzino
	Uždegimo žvakė išseikvota	Pakeiskite tinkama nauja uždegimo žvakė
	Uždegimo žvakė nešvari	Išvalykite arba pakeiskite nauja uždegimo žvakė
	Uždegimo žvakė neprijungta	Tvirtai paspauskite terminalo dangtelį
	Užtvindytas variklis	Išjunkite degalus, tada traukite starterio virvę, kol vejapjovė įsijungs, tada įjunkite degalus
	Senas benzinas bake	Išleiskite pasenusį kurą ir pakeiskite nauju bešvinio
	Vanduo kuro bake	Kreipkitės į įgaliotąjį pardavėją
Variklis dažnai sustoja	Užblokuotas kuro padavimas	Įsitikinkite, kad degalų tiekimo linija nėra suspausta arba neužblokuota
	Degalų dangtelis nepraleidžia oro	Gali tekti šiek tiek atlaisvinti degalų dangtelį
	Netinkamas kuro tipas	Ištuštinkite benzino baką ir įpilkite naujo bešvinio
Variklis praranda galią	Nešvarus oro filtras	Išvalykite arba pakeiskite nauju oro filtru
	Neteisingas aukščio reguliavimas	Pakelkite vejapjovės pjovimo aukščio svirtį
	Užblokuotos degalų dangtelio ventiliacijos angos	Įsitikinkite, kad 3 degalų bako dangtelio skylės yra švarios
Vejapjovė per daug vibruoja	Atsipalaidavęs pjovimo peilis	Patikrinkite ir priveržkite varžtus ir veržles
	Sulenkti arba sulūžę peiliai	Pakeiskite peilius
	Per didelis žolės / purvo susikaupimas	Nuvalykite ir įsitikinkite, kad apatinė dalis nėra nuosėdų
	Diskas arba peiliai susidėvėję/pažeisti	Pakeiskite peilius

TECHNINIAI DUOMENYS

Straipsnio numeris	45 681	45 682	45 697	45 698
Modelis	GLM 40/124 P EASY	GLM 42/124 SP EASY	GLM 46/140 SP PLUS	GLM 51/160 SP PLUS
Pjovimo plotis	400mm	420mm	460mm	510mm
Variklio modelis	DK1P62FE/P	DK1P62FE/P	SL140	SL160A
Variklio darbinis tūris	124.4 cm ³	124.4 cm ³	140 cm ³	160 cm ³
Variklio nominali galia	2,4hp	2,4hp	2,7hp	3,1hp
Pavaros sistema	Rankų stūmimas	Savaeigė	Savaeigė	Savaeigė
Kuro bako tūriai	0,85 L	0,85 L	0,9 L	1,2 L
Tepalinės alyvos bako tūriai	0,4 L	0,4 L	0,45 L	0.5 L
Įvertintas greitis	2850 min ⁻¹	2850 min ⁻¹	2900 min ⁻¹	2900 min ⁻¹
Žolės maišo talpa	50L	50L	70 L	70 L
Reguliuojamas pjovimo aukštis	20 - 68 mm / 7 etapai	25 - 85 mm / 7 etapai	25 - 70 mm / 7 etapai	25 - 70 mm / 7 etapai
Mulčiavimo kamštis	/	/	Taip	Taip
Šoninis iškrovimas	/	/	/	Taip

EN	EU DECLARATION OF CONFORMITY		We declare under our sole responsibility that the listed products comply with all applicable provisions of the below directives and are also in conformity with the following standards. Production year and serial number are on the product. The relative technical file is at the below address.
	ENGINE		
	MODEL	Article number	
FR	DÉCLARATION CE DE CONFORMITÉ		Nous déclarons sous notre propre responsabilité que les produits décrits sont conformes à toutes les dispositions applicables des directives ci-dessous et sont également conformes aux normes suivantes. L'année de production et le numéro de série figurent sur le produit. Le dossier technique correspondant est à l'adresse ci-dessous.
	MOTEUR		
	MODÈLE	Numéro de l'article	
IT	DICHIARAZIONE CE DI CONFORMITÀ		Dichiariamo sotto la nostra piena responsabilità che i prodotti indicati sono conformi a tutte le disposizioni applicabili delle seguenti direttive e sono inoltre conformi alle seguenti norme. Anno di produzione e numero di serie sono sul prodotto. La relativa scheda tecnica è al seguente indirizzo.
	MOTORE		
	MODELLO	Codice prodotto	
EL	ΔΗΛΩΣΗ ΣΥΜΜΟΡΦΩΣΗΣ EK		Δηλώνουμε με αποκλειστική μας ευθύνη, ότι τα αναφερόμενα προϊόντα συμμορφώνονται με όλες τις σχετικές διατάξεις των κάτωθι οδηγιών και είναι επίσης σύμφωνα με τα ακόλουθα πρότυπα. Το έτος παραγωγής και ο σειριακός αριθμός αναγράφονται στο προϊόν. Ο τεχνικός φάκελος είναι στην παρακάτω διεύθυνση.
	ΚΙΝΗΤΗΡΑΣ		
	ΜΟΝΤΕΛΟ	Κωδικός προϊόντος	
SR	CE IZJAVA O USAGLAŠENOSTI		Na sopstvenu odgovornost izjavljujemo, da navedeni proizvodi poštuju sve važeće odredbe dole navedenih direktiva i da su takođe u skladu sa sledećim standardima. Proizvodna godina i serijski broj su na proizvodu. Relativna tehnološka datoteka je na donje adrese.
	MOTOR		
	MODEL	Broj predmeta	
HR	EU IZJAVA O SUKLADNOSTI		Pod punom odgovornošću izjavljujemo da navedeni proizvodi u skladu sa svim primjenjivim odredbama dolje navedenih direktiva, a takođe su u skladu sa sledećim standardima. Godina proizvodnje i serijski broj su na proizvodu. Relativna tehnička datoteka nalazi se na donjoj adresi.
	MOTOR		
	MODEL	Broj artikla	
RO	DECLARAȚIE DE CONFORMITATE UE		Declarăm pe proprie răspundere că produsele menționate respectă toate prevederile aplicabile din directivele de mai jos și sunt, de asemenea, conforme cu următoarele standarde. Anul de producție și numărul de serie sunt pe produs. Fișierul tehnic relativ se află la adresa de mai jos.
	MOTOR		
	MODEL	Număr articol	
HU	EU MEGFELELŐSÉGI NYILATKOZAT		Kijelentjük kizárólagos felelősségünkre, hogy a felsorolt termékek megfelelnek az alábbi irányelvek összes vonatkozó rendelkezésének, és megfelelnek a következő szabványoknak is. A gyártási év és a sorozatszám a terméken található. A relatív műszaki fájl az alábbi címen található.
	MOTOR		
	MODELL	Cikk szám	
LT	ES ATITIKTIES DEKLARACIJA		Mes, prisiimdami visą atsakomybę, pareiškiame, kad išvardyti produktai atitinka visas taikomas toliau nurodyty direktyvų nuostatas ir taip pat atitinka šiuos standartus. Gamybos metai ir serijos numeris yra ant gaminio. Santykinis technologinis failas yra žemiau nurodytu adresu.
	VARIKLIS		
	MODELIS	Straipsnis Numeris	
	GLM 40/124 P EASY	45681	EU 2016/1628
	GLM 42/124 SP EASY	45682	
	GLM 46/140 SP PLUS	45697	
	GLM 51/160 SP PLUS	45698	

Aimilios G. Theodorou
Electrical Engineer,
Safety Officer




17/10/2022
FF GROUP TOOL INDUSTRIES,
19300 Aspropyrgos-Greece.


**FF GROUP TOOL
INDUSTRIES**
9,5km Attiki Odos,
Aspropyrgos
19300, Athens, Greece
Tel. +30 210 55 98 400





 **FF Group Tool Industries**

 **9,5 Km Attiki Odos, Aspropyrgos**

 **19300, Athens, Greece**

 **+30 210 55 98 400**

 **info@ffgroup-toolindustries.com**

 **www.ffgroup-tools.com**