

BORMANN[®]

PRO

Built to last.



BPW4500

037415

EN

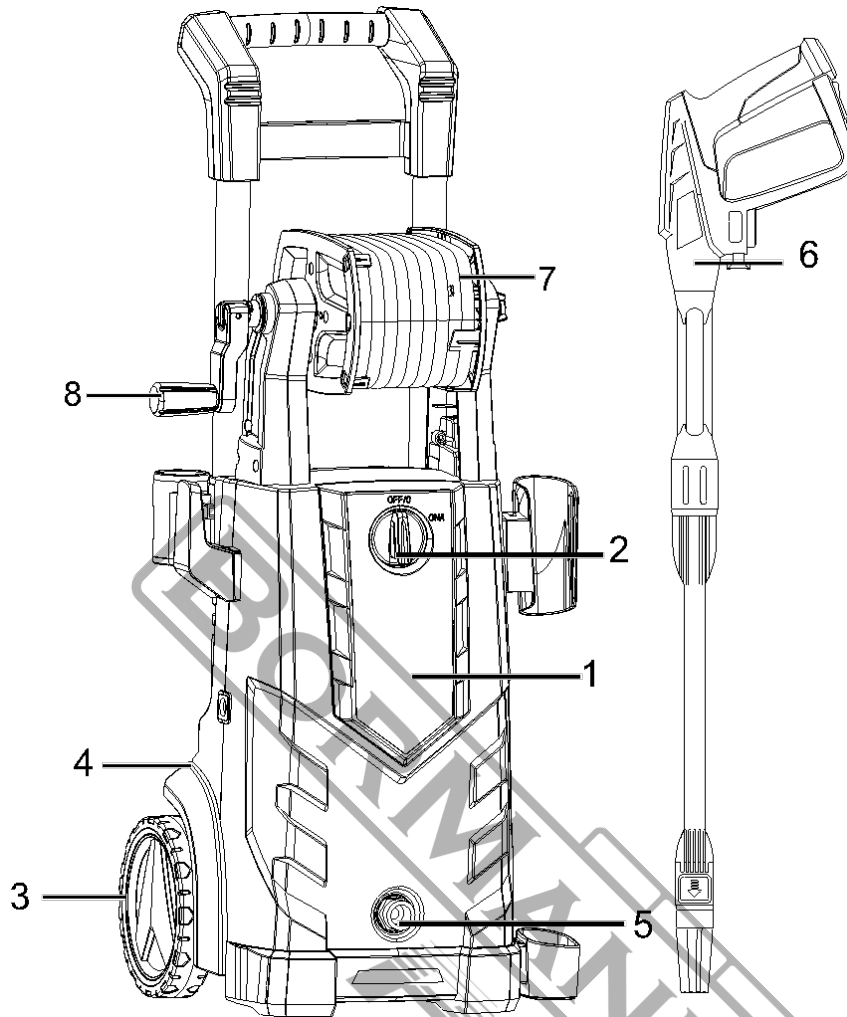
EL

v2.1

WWW.BORMANNTOOLS.COM



A



* The manufacturer reserves the right to make minor changes to product design and technical specifications without prior notice unless these changes significantly affect the performance and safety of the products. The parts described / illustrated in the pages of the manual that you hold in your hands may also concern other models of the manufacturer's product line with similar features and may not be included in the product you just acquired.

* Please note that our equipment has not been designed for use in commercial, trade or industrial applications. Our warranty will be voided if the machine is used in commercial, trade or industrial businesses or for equivalent purposes.

* To ensure the safety and reliability of the product and the warranty validity, all repair, inspection, repair or replacement work, including maintenance and special adjustments, must only be carried out by technicians of the authorized service department of the manufacturer.

* Ο κατασκευαστής διατηρεί το δικαίωμα να πραγματοποιήσει δευτερεύουσες αλλαγές στο σχεδιασμό του προϊόντος και στα τεχνικά χαρακτηριστικά χωρίς προηγούμενη ειδοποίηση, εκτός εάν οι αλλαγές αυτές επηρεάζουν σημαντικά την απόδοση και λειτουργία ασφάλειας των προϊόντων. Τα εξαρτήματα που περιγράφονται / απεικονίζονται στις σελίδες του εγχειριδίου που κρατάτε στα χέρια σας ενδέχεται να αφορούν και σε άλλα μοντέλα της σειράς προϊόντων του κατασκευαστή, με παρόμοια χαρακτηριστικά, και ενδέχεται να μην περιλαμβάνονται στο προϊόν που μόλις αποκτήσατε.

* Λάβετε υπόψη ότι ο εξοπλισμός μας δεν έχει σχεδιαστεί για χρήση σε εμπορικές, επαγγελματικές ή βιομηχανικές εφαρμογές. Η εγγύησή μας θα ακυρωθεί αν το προϊόν χρησιμοποιείται σε εμπορικές, επαγγελματικές ή βιομηχανικές επιχειρήσεις ή για ανάλογους σκοπούς.

* Για να διασφαλιστεί η ασφάλεια και η αξιοπιστία του προϊόντος καθώς και η ισχύς της εγγύησης όλες οι εργασίες επιδιόρθωσης, ελέγχου, επισκευής ή αντικατάστασης συμπεριλαμβανομένης της συντήρησης και των ειδικών ρυθμίσεων, πρέπει να εκτελούνται μόνο από τεχνικούς του εξουσιοδοτημένου τμήματος Service του κατασκευαστή.

Safety instructions



WARNING: Do not use the machine without reading the instruction sheet.

WARNING: Read all the instructions before using the machine.

WARNING: Machines shall not be used by children. Children should be supervised to ensure that they do not play with the machine. This machine is not intended for use by persons (including children) with reduced physical, sensory or mental capabilities, or lack of experience and knowledge

WARNING: The electrical supply connection shall be made by a qualified person and comply with IEC 60364-1. The electric supply to this machine should include either a residual current device that will interrupt the supply if the leakage current to earth exceeds 30 mA for 30 ms or a device that will prove the earth circuit.

WARNING: The machine is intended to be used at a temperature above 0 degree. (Only for machine with power cord of H05VV-F).

WARNING: The operating method to be followed in the event of accident (e.g. contact with detergents: rinse with an abundance of clean water) or breakdown to prevent unsafe situations.

WARNING: This machine has been designed for use with the cleaning agent supplied or recommended by the manufacturer. The use of other cleaning agents or chemicals may adversely affect the safety of the machine.

WARNING: Recommend the operator to wear ear protectors.

WARNING: Do not use the machine within range of persons unless they wear protective clothing.

WARNING: Do not direct the jet against yourself or others in order to clean clothes or foot-wear.

WARNING: Risk of explosion-Do not spray flammable liquids.

WARNING: High pressure hoses, fittings and couplings are important for the safety of the machine. Use only hoses, fittings and couplings recommended by the manufacturer.

WARNING: To ensure machine safety, use only original spare parts from the manufacturer or approved by the manufacturer.

WARNING: Water that has flown through backflow preventers is considered to be non-potable.

WARNING: The machine shall be disconnected from its power source by removing the plug from the socket-outlet during cleaning or maintenance and when replacing the machine to another function.

WARNING: Observe a distance of at least 30cm when using the jet to clean painted surfaces to avoid damaging paintwork.

WARNING: Do not use the machine if a supply cord or important parts of the machine are damaged, e.g. safety devices, high pressure hoses, trigger gun.

WARNING: If an extension cord is used, the plug and socket must be of watertight construction.

WARNING: Inadequate extension cords can be dangerous. If an extension cord is used, it shall be suitable for outdoor use, and the connection has to be kept dry and off the ground. It is recommended that this is accomplished by means of a cord reel which keeps the socket at least 60mm above the ground.

WARNING: In order to avoid a hazard due to inadvertent resetting of the thermal cut-out, this appliance must not be supplied through an external switching device, such as a timer, or connected to a circuit that is regularly switched on and off by the utility.



WARNING: The machine is not intended to be connected to the potable water mains.

WARNING: To ensure the machine safety, please only use original spare parts (including nozzle) from the manufacturer or approved by the manufacturer. Do not use the machine before you changed them if they are damaged.

WARNING: Be care of the danger of the kickback force on the spray assembly when opening the trigger gun and grasp the gun with hands firmly.

WARNING: To reduce the risk of injury, close supervision is necessary when a machine is used near children. High-pressure cleaner shall not be used by children or untrained person.

WARNING: Know how to stop the machine and bleed pressures quickly. Be thoroughly familiar with the controls.

WARNING: Stay alert and watch what you are doing.

WARNING: Do not operate the machine when fatigued or under the influence of alcohol or drugs.

WARNING: Keep operating area clear of all persons.

WARNING: Do not overreach or stand on unstable support. Keep good footing and balance at all times.

WARNING: Follow the maintenance instructions specified in the manual.

WARNING: This machine must be grounded. If it has malfunction or breakdown, grounding provides a path of least resistance for electric current to reduce the risk of electric shock. The plug must be plugged into an appropriate outlet that is properly installed and grounded in accordance with all local codes and ordinances. The rating voltage (V/Hz) of the machine has to be in compliance with the local power supplying voltage.

WARNING: Check with a qualified electrician or service personnel if you are in doubt as to whether the outlet is properly grounded. Do not modify the plug provided with the machine. If it will not fit the outlet, have a proper outlet installed by a qualified electrician. Do not use any type of adapter with this machine.

WARNING: Use only 3-wire extension cords that have 3-prong grounding-type plugs and 3-pole cord connectors that accept the plug from the machine. Use only extension cords that are intended for outdoor use and the socket must be of watertight construction. These extension cords are identified by a marking "Acceptable for use with outdoor machines; store indoors while not in use." Use only extension cords having an electrical rating not less than the rating of the machine. Do not use damaged extension cords. Examine extension cord before using and replace if damaged. Inadequate extension cords can be dangerous. Do

not abuse extension cord and do not yank on any cord to disconnect. Keep cord away from heat and sharp edges. Always disconnect the extension cord from the receptacle before disconnecting the machine from the extension cord.

WARNING: To reduce the risk of electrocution, don't start and run the machine in the rain or storm. Keep all connections dry and off the ground. Do not touch plug with wet hands. It is strictly prohibited to let water leak into the machine.

WARNING: When the machine is turned on, the interior pumps start and continue to run even if the pressure wand trigger has not been depressed. Running the machine for more than 3 minutes without depressing the pressure wand trigger could cause heat damage to the motor and pumps, Please do not leave the machine running unattended or unused for more than 3 minutes.

WARNING: When the machine is running, please maintain a constant water supply. Without water circulation will damage the sealing rings of the machine.

WARNING: It is necessary to turn on the spray lance within one or two minutes after the machine has been started. Otherwise, the temperature of the circulating water within the machine will soon rise to a critical point, which will cause damage to the sealing rings inside the machine.

WARNING: Don't start and run the machine in a place excessively cold so as to prevent the machine from the freezing current.

WARNING: This machine has been designed for only using cleaning water, do not use corrosive chemicals.

WARNING: Use cleaning agent recommend by the manufacturer.



WARNING: High-pressure jets can be dangerous if subject to misuse. The jet must not be directed at persons, animals, live electrical equipment or the machine itself. Pressure washers should not be pointed at tire walls, as it may be possible to damage them.

WARNING: Do not direct the jet against yourself or others in order to clean clothes or footwear.

WARNING: Disconnect from the electrical power supply before carrying out user maintenance.

If the mains cable is damaged it must be replaced by the manufacturer, or its service agent or similarly qualified person to avoid a hazard.

WARNING: Do not use the machine if a supply cord or important parts are damaged, e.g. safety devices, high pressure hoses, trigger gun.

WARNING: Be aware of the recoil caused by the water jet when the machine is switched on.

WARNING: When the machine is moving and installing, the machine must be in flat. When moving the machine, pulling the handle to move it.

WARNING: Connect to the water supply. The machines are not suitable for connection to portable water mains. Connect the machine to the water supply. (It can be a water container).

Make sure the inlet water pressure keeps between 0.01MPa and 0.4MPa. The inlet pipe should at least 5 M long. Do not use the pipe if the pipe is damaged. If you want connect this machine to portable water mains, you must install a backflow preventer in the water pipe to prevent dirty water flow back to the drinking water system. The backflow preventer shall comply with EN 60335-2-79 ANNEX AA.

Intended use

THE PORTABLE PRESSURE WASHING MACHINE is a highly specialized multifunctional machine with exceptionally reliable safety assurance, which may be used to wash and clean cars, bikes and other outdoor equipment or garden patios, green houses etc.

Technical Data

| | |
|--------------------|-----------------|
| Voltage/Frequency: | 230-240V/50HZ |
| Type of motor: | Induction motor |
| Power: | 2100W |
| Working pressure: | 110bar |
| Max pressure: | 165bar |
| Flow: | 360L/Hour |
| Max Flow: | 432L/Hour |

* The manufacturer reserves the right to make minor changes to product design and technical specifications without prior notice unless these changes significantly affect the performance and safety of the products. The parts described / illustrated in the pages of the manual that you hold in your hands may also concern other models of the manufacturer's product line with similar features and may not be included in the product you just acquired.

* Please note that our equipment has not been designed for use in commercial, trade or industrial applications. Our warranty will be voided if the machine is used in commercial, trade or industrial businesses or for equivalent purposes.

* To ensure the safety and reliability of the product and the warranty validity, all repair, inspection, repair or replacement work, including maintenance and special adjustments, must only be carried out by technicians of the authorized service department of the manufacturer.

Description of main parts (Picture A)

| | |
|----------------------------|------------------------------------|
| 1. High pressure washer | 5. Water inlet |
| 2. On/off switch | 6. Gun |
| 3. Wheel | 7. Hose Reel with Trigger Gun Hose |
| 4. Water outlet (backside) | 8. Hose Reel Handle |

Operating instructions

Helpful Hints for Getting Started

Automatic ON/OFF:

The motor on this pressure washer does not run continuously. It only runs when the trigger of the spray gun is squeezed. After following the start up procedures in this manual, turn the pressure washer ON and squeeze the trigger for activation. See "Operating Instruction" section in this manual for further details.

Bleeding the Gun:

It is very important to bleed the gun before using the pressure washer. Squeeze the trigger to allow any air that is trapped inside of the unit and hose to escape. Continue to squeeze trigger until a steady stream of water comes from the nozzle. (This process may take up to 2 minutes). See "Operating Instructions" section for this process.

WARNING! This unit is to be connected to a cold water source ONLY.

WARNING! The motor of this pressure washer will NOT run. It will only operate when the trigger is squeezed.

- Connect the outlet hose to the washer and connect the spray gun to the outlet hose.
- Connect nozzle and nozzle extension.
- Check gauze filter is clear of any blockage.
- Connect the water supply hose.
- Check that the hose has no kinks in it.
- Turn on water and check for leaks.
- Depress trigger to allow air to be expelled through the pump and hoses, lock trigger.
- Plug in machine and turn on switch.
- Unlock trigger and use the pressure washer.

Shut down

1. Turn off the motor (push switch to the off position).
2. Unplug the unit from the power source.
3. Turn off the water supply.
4. Press the trigger of the gun to depressurize the system.
5. Disconnect the garden hose from the pressure washer.
6. Wipe all surfaces of the unit with a damp clean cloth.
7. Engage the gun safety lock.

CAUTION: ALWAYS turn off the unit's motor BEFORE turning off the unit's water supply.

Serious damage could occur to the motor if the unit is run without water.

CAUTION: NEVER disconnect the high-pressure discharge hose from the machine while the system is still pressurized. To depressurize the unit, turn off the motor, turn off the water supply and squeeze the trigger 2-3 times.

Adjustable spray nozzle

Turn off the spray lance first, hold the rear part of spray nozzle, then turn the front part of spray nozzle clockwise, Water may be sprayed out from the spray nozzle in fan shapes (fig 2); Turn the front part of spray nozzle anti-clockwise, Water may be sprayed out from the spray nozzle linearly (fig 1).

CAUTION: Water should be sprayed out from the spray nozzle in fan shapes (fig 2), when cleaning the car or other vehicle.



Fig. 1

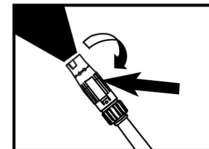


Fig. 2

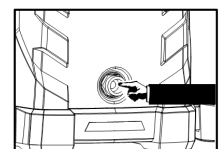


Fig. 3

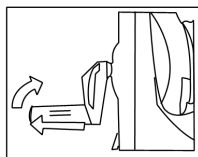


Fig. 4

Water inlet screen

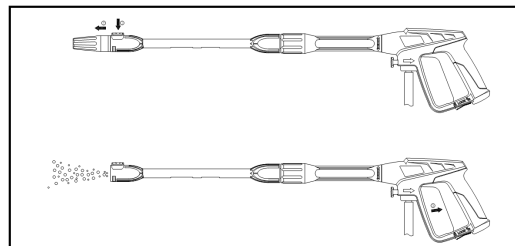
The water inlet filter must be inspected regularly, so as to avoid blockage and restriction in the water supply to the pump (fig 3).

Hose-reel handle

The hose reel handle turns down for use and up for storage. To turn up the handle, pull out and turn up (fig 4).

Foam cleaning method

Be sure to insert the cleaning solution in the built-in suction pot and remove the tip as shown in the figure.



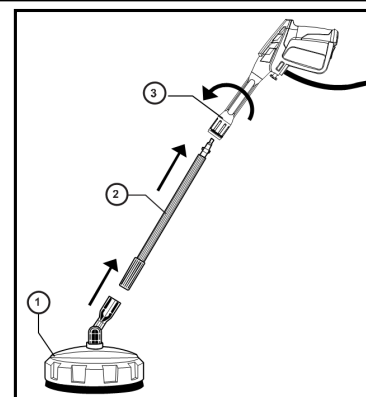
Units with patio cleaner included

Click patio cleaner ① with lance extension ② firstly and then connect it ② with spray gun handle ③.

Note: All these fittings are bayonet fittings which push in then twist to lock.

Note: Prior to using the patio cleaner always check that you will not damage the surface area on an inconspicuous test area first.

* Not included with all models



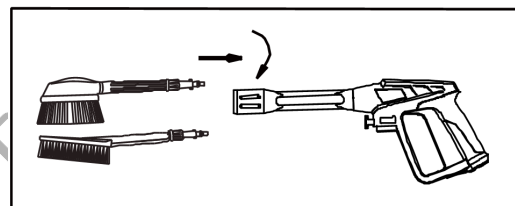
Units with brushes included

The Electric Pressure Washer is supplied with a rotary brush and a fixed brush. Both have soft bristles and can be used in conjunction with the detergent dispenser to apply detergent to the surface you are cleaning. These are ideal for cleaning car bodywork, windows etc. This is a low pressure setting. The brushes connect to the lance extension. There is an adapter with each brush; you must fit it before connecting to the lance extension.

Note: Do not fit brushes when the power is on.

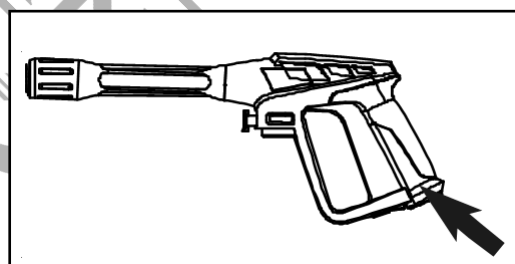
Note: The brushes cannot be fitted into the trigger gun and must be used in conjunction with the lance extension.

* Not included with all models



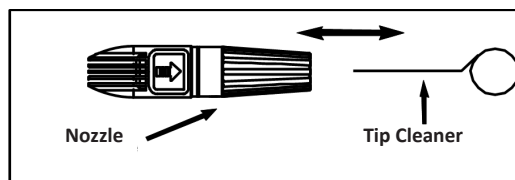
Gun safety device

Whenever you use the high pressure washer, we suggest you grip the in the right position, with one hand on the handle and the other on the lance, When you stop the machine it is necessary to use the safety lock placed on the gun in order to avoid accidental.

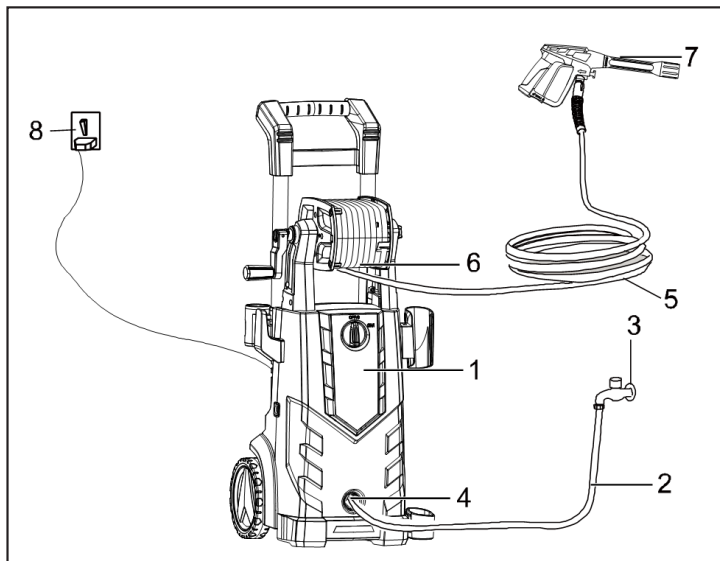


Cleaning pin instruction

- Using included tip cleaner, or an unfolded paper clip, insert wire into the nozzle hole and move back and forth until debris is dislodged.
- Remove additional debris by back-flushing water through the nozzle. To do this, place end of a garden hose (with water running) to the end of nozzle for 30-60 seconds.



Installation, electrical and water connections



| | |
|-------------------------------------|--------------------------------|
| 1. Pressure cleaner | 5. High pressure tube |
| 2. Water supply hose (not included) | 6. High-pressure, water outlet |
| 3. Water connection | 7. Spray gun |
| 4. Water inlet | 8. Power supply |

Note: Given continuous machines development the company reserves the right to amend machines specifications without notice.

Troubleshooting

| Fault | Probable cause | Repair |
|---|--|---|
| When switched on the machine will not start working | <p>Plug is not well connected or electric socket is faulty</p> <p>The main voltage is insufficient, lower than minimum requirement</p> <p>The pump is stuck.</p> <p>Thermal safety switch has tripped</p> | <p>Check plug, socket</p> <p>Check that the main voltage is adequate.</p> <p>Refer to after storage instructions.</p> <p>Switch off the unit and let the motor cool for a few minutes</p> <p>Leave the lance open</p> |
| Fluctuating Pressure | <p>Pump sucking air.</p> <p>Valves dirty, worn out or stuck.</p> <p>Pump seals worn out.</p> | <p>Check that hoses and connections are airtight.</p> <p>Clean and replace, or refer to dealer.</p> |
| Water leaking from the pump. | Seals worn out. | Check and replace, or refer to dealer. |
| The motor stops suddenly. | Thermal safety switch has tripped due to overheating. | <p>Check that the main voltage corresponds to specifications.</p> <p>Switch off the unit and let it cool for a few minutes.</p> |
| The pump doesn't reach the necessary pressure. | <p>Water inlet filter is clogged.</p> <p>Pump sucking air from connections or hoses.</p> <p>Suction/ delivery valves are clogged or worn out.</p> <p>Unloaded valve is stuck.</p> <p>Lance nozzle incorrect or worn out.</p> | <p>Clean the water inlet filter.</p> <p>Check that all supply connections are tight</p> <p>Check that the water feeding hose is not leaking.</p> <p>Clear or replace valves.</p> <p>Loosen and re-tighten regulation screw.</p> <p>Check and/or replace</p> |

Inspection & maintenance

For safety use, make sure a three-month clean the machine. Before working, make sure inspect the filter and the nozzle, make sure there is no impurity. After working, make sure there is no water in the pump and the hose.

If the machine need to be repaired in the guarantee period, please return the machine to the shop. You need to provide the certificate of purchase in order to repair.

Before Packaging, The machine should be cleaned, then use closed packaging, packaging should be firm. Storage the machine in dry.

For transportation safety. The machine should comply with ISTA

Disposal and recycling instructions



Meaning of crossed –out wheeled dustbin:

Do not dispose of electrical machines as unsorted municipal waste, use separate collection facilities.

Contact you local government for information regarding the collection systems available.

If electrical machines are disposed of in landfills or dumps, hazardous substances can leak into the groundwater and get into the food chain, damaging your health and well-being.

When replacing old machines with new ones, the retailer is legally obligated to take back your old machine for disposals at least free of charge.



Οδηγίες ασφαλείας



ΠΡΟΕΙΔΟΠΟΙΗΣΗ: Μην χρησιμοποιείτε το μηχάνημα χωρίς να διαβάσετε τις οδηγίες του εγχειριδίου.

ΠΡΟΕΙΔΟΠΟΙΗΣΗ: Διαβάστε όλες τις οδηγίες πριν χρησιμοποιήσετε το μηχάνημα.

ΠΡΟΕΙΔΟΠΟΙΗΣΗ: Τα πλαστικά μηχανήματα δεν πρέπει να χρησιμοποιούνται από παιδιά. Τα παιδιά πρέπει να επιβλέπονται για να διασφαλιστεί ότι δεν παίζουν με το μηχάνημα. Αυτό το μηχάνημα δεν προορίζεται για χρήση από άτομα (συμπεριλαμβανομένων των παιδιών) με μειωμένες σωματικές, αισθητηριακές ή διανοητικές ικανότητες ή έλλειψη εμπειρίας και γνώσεων.

ΠΡΟΕΙΔΟΠΟΙΗΣΗ: Η σύνδεση της ηλεκτρικής τροφοδοσίας πρέπει να γίνεται από εξειδικευμένο άτομο και να συμμορφώνεται με το πρότυπο IEC 60364-1. Η ηλεκτρική τροφοδοσία αυτού του μηχανήματος πρέπει να περιλαμβάνει είτε μια διάταξη υπολειπόμενου ρεύματος που θα διακόπτει την τροφοδοσία εάν το ρεύμα διαρροής γείωσης υπερβαίνει τα 30mA για 30ms είτε μια διάταξη που θα αποδεικνύει το κύκλωμα γείωσης.

ΠΡΟΕΙΔΟΠΟΙΗΣΗ: Το μηχάνημα προορίζεται για χρήση σε θερμοκρασία άνω των 0 βαθμών (Μόνο για το μηχάνημα με καλώδιο τροφοδοσίας H05VV-F).

ΠΡΟΕΙΔΟΠΟΙΗΣΗ: Ενημερωθείτε για την μέθοδο λειτουργίας που πρέπει να ακολουθηθεί σε περίπτωση ατυχήματος (π.χ. επαφή με απορρυπαντικά: ξεπλύνετε με άφθονο καθαρό νερό) ή βλάβης για την αποφυγή μη ασφαλών καταστάσεων.

ΠΡΟΕΙΔΟΠΟΙΗΣΗ: Αυτό το μηχάνημα έχει σχεδιαστεί για χρήση με το καθαριστικό που συνιστάται από τον κατασκευαστή. Η χρήση άλλων καθαριστικών μέσων ή χημικών ουσιών μπορεί να επηρεάσει αρνητικά την ασφάλεια του μηχανήματος.

ΠΡΟΕΙΔΟΠΟΙΗΣΗ: Συνιστάται στον χειριστή να φοράει ακουστικά προστασίας.

ΠΡΟΕΙΔΟΠΟΙΗΣΗ: Μην χρησιμοποιείτε το μηχάνημα εντός της εμβέλειας ατόμων, εκτός εάν αυτά φορούν ατομικό ρουχισμό προστασίας.

ΠΡΟΕΙΔΟΠΟΙΗΣΗ: Μην κατευθύνετε τον πίδακα νερού (δέσμη) κατά του εαυτού σας ή άλλων ατόμων προκειμένου να καθαρίσετε ρούχα ή υποδήματα.

ΠΡΟΕΙΔΟΠΟΙΗΣΗ: Κίνδυνος έκρηξης - Μην ψεκάζετε εύφλεκτα υγρά.

ΠΡΟΕΙΔΟΠΟΙΗΣΗ: Οι εύκαμπτοι σωλήνες, τα εξαρτήματα και οι σύνδεσμοι υψηλής πίεσης είναι σημαντικά εξαρτήματα που σχετίζονται άμεσα με την ασφάλεια του μηχανήματος. Χρησιμοποιείτε μόνο τους σωλήνες, τα εξαρτήματα και τους συνδέσμους που συνιστώνται από τον κατασκευαστή.

ΠΡΟΕΙΔΟΠΟΙΗΣΗ: Για να διασφαλίσετε την ασφάλεια του μηχανήματος, χρησιμοποιείτε μόνο γνήσια ανταλλακτικά από τον κατασκευαστή ή εγκεκριμένα από τον κατασκευαστή.

ΠΡΟΕΙΔΟΠΟΙΗΣΗ: Το νερό που έχει περάσει μέσα από τους διακόπτες οπισθορροής θεωρείται μη πόσιμο.

ΠΡΟΕΙΔΟΠΟΙΗΣΗ: Το μηχάνημα πρέπει να αποσυνδέεται από την πηγή τροφοδοσίας του αφαιρώντας το βύσμα τροφοδοσίας από την πρίζα κατά τη διάρκεια του καθαρισμού ή της συντήρησης και κατά την ρύθμιση του μηχανήματος για άλλη λειτουργία.

ΠΡΟΕΙΔΟΠΟΙΗΣΗ: Τηρείτε μια απόσταση τουλάχιστον 30cm όταν χρησιμοποιείτε το πιστόλι ψεκασμού για τον καθαρισμό βαμμένων επιφανειών για να αποφύγετε την πρόκληση ζημιάς στο χρώμα.

ΠΡΟΕΙΔΟΠΟΙΗΣΗ: Μην χρησιμοποιείτε το μηχάνημα εάν ένα καλώδιο τροφοδοσίας ή σημαντικά μέρη του μηχανήματος έχουν υποστεί ζημιά, π.χ. συσκευές ασφαλείας, εύκαμπτοι σωλήνες υψηλής πίεσης, πιστόλι ψεκασμού.

ΠΡΟΕΙΔΟΠΟΙΗΣΗ: Εάν χρησιμοποιείται καλώδιο προέκτασης, το βύσμα και η πρίζα πρέπει να διαθέτουν απαραίτητες προδιαγραφές σχετικά με την στεγανοποίηση.

ΠΡΟΕΙΔΟΠΟΙΗΣΗ: Η χρήση μη κατάλληλων καλωδίων προέκτασης μπορεί να είναι επικίνδυνη. Εάν χρησιμοποιείται καλώδιο προέκτασης, πρέπει να είναι κατάλληλο για χρήση σε εξωτερικούς χώρους και η σύνδεση πρέπει να διατηρείται στεγνή και μακριά από το έδαφος. Συνιστάται αυτό να επιτυγχάνεται με τη βοήθεια μιας ανέμης καλωδίου που διατηρεί την πρίζα τουλάχιστον 60mm πάνω από το έδαφος.

ΠΡΟΕΙΔΟΠΟΙΗΣΗ: Για την αποφυγή κινδύνου λόγω ακούσιας επαναφοράς του συστήματος θερμικής διακοπής, η συσκευή αυτή δεν πρέπει να τροφοδοτείται μέσω εξωτερικής συσκευής ελέγχου, όπως είναι οι χρονοδιακόπτες, ούτε να συνδέεται σε κύκλωμα που ενεργοποιείται και απενεργοποιείται τακτικά από το ηλεκτρικό δίκτυο.



ΠΡΟΕΙΔΟΠΟΙΗΣΗ: Το μηχάνημα δεν προορίζεται για σύνδεση με το δίκτυο πόσιμου νερού.

ΠΡΟΕΙΔΟΠΟΙΗΣΗ: Για να διασφαλίσετε την ασφάλεια του μηχανήματος, χρησιμοποιήστε μόνο αυθεντικά ανταλλακτικά (συμπεριλαμβανομένου του ακροφυσίου) από τον κατασκευαστή ή εγκεκριμένα από τον κατασκευαστή. Μην χρησιμοποιείτε το μηχάνημα προτού τα αντικαταστήσετε, σε περίπτωση που έχουν υποστεί βλάβη.

ΠΡΟΕΙΔΟΠΟΙΗΣΗ: Προσέξτε τον κίνδυνο ανάκρουσης (κλώτσημα) που προκαλείται από το μηχάνημα όταν χρησιμοποιείται το πιστόλι ψεκασμού κρατώντας το σταθερά και με τα δύο σας χέρια.

ΠΡΟΕΙΔΟΠΟΙΗΣΗ: Για να μειωθεί ο κίνδυνος τραυματισμού, απαιτείται στενή επίβλεψη όταν ένα μηχάνημα χρησιμοποιείται κοντά σε παιδιά. Το πλαστικό μηχάνημα δεν πρέπει να χρησιμοποιείται από παιδιά ή μη εκπαιδευμένα άτομα.

ΠΡΟΕΙΔΟΠΟΙΗΣΗ: Βεβαιωθείτε πως γνωρίζετε πώς να διακόψετε την λειτουργία του μηχανήματος και να εκτονώνετε γρήγορα την πίεση. Βεβαιωθείτε πως είστε πλήρως εξοικειωμένοι με τα μέσα χειρισμού.

ΠΡΟΕΙΔΟΠΟΙΗΣΗ: Να είστε σε εγρήγορση και να προσέχετε τι κάνετε.

ΠΡΟΕΙΔΟΠΟΙΗΣΗ: Μην χειρίζεστε το μηχάνημα όταν είστε κουρασμένοι ή βρίσκεστε υπό την επήρεια αλκοόλ ή ναρκωτικών ουσιών.

ΠΡΟΕΙΔΟΠΟΙΗΣΗ: Κρατήστε σε ασφαλή απόσταση τους παρευρισκόμενους από την περιοχή εργασίας.

ΠΡΟΕΙΔΟΠΟΙΗΣΗ: Μην τεντώστε για να προσεγγίσετε δυσπρόσιτα σημεία και μην επιλέγετε στάσεις του σώματος που είναι ασταθείς. Διατηρείτε πάντα στάσεις του σώματος που εξασφαλίζουν σταθερότητα και την ισορροπία σας.

ΠΡΟΕΙΔΟΠΟΙΗΣΗ: Ακολουθήστε τις οδηγίες συντήρησης που αναφέρονται στο εγχειρίδιο.

ΠΡΟΕΙΔΟΠΟΙΗΣΗ: Αυτό το μηχάνημα πρέπει να είναι γειωμένο. Εάν έχει υποστεί κάποια βλάβη ή παρουσιάζει κάποιο πρόβλημα λειτουργίας, η γείωση παρέχει μια διαδρομή μικρότερης αντίστασης για το ηλεκτρικό ρεύμα, ώστε να μειωθεί ο κίνδυνος ηλεκτροπληξίας. Το βύσμα πρέπει να συνδεθεί σε κατάλληλη πρίζα που είναι σωστά εγκατεστημένη και γειωμένη σύμφωνα με όλους τους τοπικούς κώδικες και κανονισμούς. Η ονομαστική τάση (V/Hz) του μηχανήματος πρέπει να είναι σύμφωνα με την τοπική τάση του δικτύου παροχής ηλεκτρικού ρεύματος.

ΠΡΟΕΙΔΟΠΟΙΗΣΗ: Συμβουλευτείτε έναν εξειδικευμένο ηλεκτρολόγο ή τεχνικό εάν έχετε αμφιβολίες σχετικά με το αν η πρίζα είναι σωστά γειωμένη. Μην τροποποιείτε το βύσμα που παρέχεται με το μηχάνημα. Εάν δεν ταιριάζει στην πρίζα, αναθέστε την εγκατάσταση μιας κατάλληλης πρίζας σε εξειδικευμένο ηλεκτρολόγο. Μην χρησιμοποιείτε κανέναν τύπο αντάπτορα με αυτό το μηχάνημα.

ΠΡΟΕΙΔΟΠΟΙΗΣΗ: Χρησιμοποιείτε μόνο καλώδια προέκτασης 3 καλωδίων που διαθέτουν βύσματα τύπου γείωσης 3 ακροδεκτών και τριπολικές προεκτάσεις κατάλληλες για σύνδεση με το βύσμα τροφοδοσίας του μηχανήματος. Χρησιμοποιείτε μόνο καλώδια προέκτασης που προορίζονται για εξωτερική χρήση και πρίζες που διαθέτουν στεγανοποίηση. Αυτά τα καλώδια προέκτασης χαρακτηρίζονται από τη σήμανση "Αποδεκτό για χρήση με μηχανήματα εξωτερικού χώρου- αποθηκεύστε τα σε εσωτερικό χώρο όταν δεν χρησιμοποιούνται". Χρησιμοποιείτε μόνο καλώδια προέκτασης με ηλεκτρική ονομαστική ισχύ τουλάχιστον ίση με την ονομαστική ισχύ του μηχανήματος. Μην χρησιμοποιείτε κατεστραμμένα καλώδια προέκτασης. Εξετάστε το καλώδιο προέκτασης πριν από τη χρήση και αντικαταστήστε το εάν έχει υποστεί κάποια βλάβη. Τα μη κατάλληλα καλώδια προέκτασης μπορεί να είναι επικίνδυνα. Προστατεύστε το καλώδιο προέκτασης από μηχανικές καταπονήσεις και μην το τραβάτε με σκοπό να το αποσυνδέσετε από την πρίζα. Κρατήστε το καλώδιο μακριά από θερμότητα και τις αιχμηρές άκρες. Αποσυνδέετε πάντα το καλώδιο προέκτασης από την πρίζα πριν αποσυνδέσετε το μηχάνημα από το καλώδιο προέκτασης.

ΠΡΟΕΙΔΟΠΟΙΗΣΗ: Για να μειώσετε τον κίνδυνο ηλεκτροπληξίας, μην ενεργοποιείτε και μη θέτετε σε λειτουργία το μηχάνημα σε βροχή ή καταιγίδα. Διατηρείτε όλες τις συνδέσεις στεγνές και μακριά από το έδαφος. Μην αγγίζετε το βύσμα τροφοδοσίας με βρεγμένα χέρια. Αποτρέψτε με κάθε δυνατό τρόπο την είσοδο νερού στο εσωτερικό του μηχανήματος.

ΠΡΟΕΙΔΟΠΟΙΗΣΗ: Όταν το μηχάνημα τίθεται σε λειτουργία, οι εσωτερικές αντλίες ξεκινούν και συνεχίζουν να λειτουργούν ακόμη και αν δεν έχει πατηθεί η σκανδάλη του πιστολιού. Η λειτουργία του μηχανήματος για περισσότερο από 3 λεπτά χωρίς να πατηθεί η σκανδάλη του πιστολιού θα μπορούσε να προκαλέσει θερμική βλάβη στον κινητήρα και τις αντλίες. Παρακαλούμε μην αφήνετε το μηχάνημα να λειτουργεί χωρίς επίβλεψη ή σε αδράνεια για περισσότερο από 3 λεπτά.

ΠΡΟΕΙΔΟΠΟΙΗΣΗ: Όταν το μηχάνημα λειτουργεί, παρακαλούμε να διατηρείτε σταθερή την παροχή νερού. Η απουσία κυκλοφορίας νερού θα προκαλέσει βλάβη στους δακτυλίους στεγανοποίησης του μηχανήματος.

ΠΡΟΕΙΔΟΠΟΙΗΣΗ: Είναι απαραίτητο να ενεργοποιήσετε το πιστόλι ψεκασμού μέσα σε ένα ή δύο λεπτά μετά την ενεργοποίηση του μηχανήματος. Διαφορετικά, η θερμοκρασία του νερού που κυκλοφορεί στο εσωτερικό του μηχανήματος θα αυξηθεί σύντομα σε κρίσιμο σημείο, γεγονός που θα προκαλέσει βλάβη στους δακτυλίους στεγανοποίησης στο εσωτερικό του μηχανήματος.

ΠΡΟΕΙΔΟΠΟΙΗΣΗ: Μην εκκινείτε και μη λειτουργείτε το μηχάνημα σε περιοχές όπου η θερμοκρασία περιβάλλοντος είναι ιδιαίτερα χαμηλή, ώστε να αποτρέψετε την πρόκληση βλάβης λόγω πάγου.

ΠΡΟΕΙΔΟΠΟΙΗΣΗ: Αυτό το μηχάνημα έχει σχεδιαστεί μόνο για τη χρήση νερού, μην χρησιμοποιείτε διαβρωτικές χημικές ουσίες.

ΠΡΟΕΙΔΟΠΟΙΗΣΗ: Χρησιμοποιήστε το καθαριστικό που συνιστάται από τον κατασκευαστή.



ΠΡΟΕΙΔΟΠΟΙΗΣΗ: Οι πίδακες υψηλής πίεσης μπορεί να είναι επικίνδυνοι εάν υποβληθούν σε κακή χρήση. Ο πίδακας δεν πρέπει να κατευθύνεται προς άτομα, ζώα, ηλεκτροφόρες συσκευές υπό τάση ή το ίδιο το μηχάνημα. Τα πλυσιμικά μηχανήματα δεν πρέπει να στρέφονται προς τα τοιχώματα των ελαστικών, καθώς ενδέχεται να προκληθεί ζημιά σε αυτά.

ΠΡΟΕΙΔΟΠΟΙΗΣΗ: Μην στρέψετε τον πίδακα κατά του εαυτού σας ή άλλων με σκοπό να καθαρίσετε ρούχα ή υποδήματα.

ΠΡΟΕΙΔΟΠΟΙΗΣΗ: Αποσυνδέστε το μηχάνημα από το δίκτυο παροχής ηλεκτρικού ρεύματος πριν από την εκτέλεση εργασιών συντήρησης.

Εάν το καλώδιο τροφοδοσίας έχει υποστεί ζημιά, πρέπει να αντικατασταθεί από τον κατασκευαστή ή τον αντιπρόσωπο σέρβις του ή από άτομο με παρόμοια εξειδίκευση για την αποφυγή κινδύνου.

ΠΡΟΕΙΔΟΠΟΙΗΣΗ: Μην χρησιμοποιείτε το μηχάνημα εάν ένα καλώδιο τροφοδοσίας ή σημαντικά εξαρτήματα έχουν υποστεί ζημιά, π.χ. συσκευές ασφαλείας, εύκαμπτοι σωλήνες υψηλής πίεσης, πιστόλι ψεκασμού.

ΠΡΟΕΙΔΟΠΟΙΗΣΗ: Λάβετε υπόψη σας την ανάκρουση που προκαλείται από τον πίδακα νερού κατά την ενεργοποίηση του μηχανήματος.

ΠΡΟΕΙΔΟΠΟΙΗΣΗ: Κατά την μετακίνηση και τοποθέτηση του μηχανήματος βεβαιωθείτε πως βρίσκεται σε επίπεδη θέση. Κατά τη μετακίνηση του μηχανήματος, τραβήξτε τη χειρολαβή για να το μετακινήσετε.

ΠΡΟΕΙΔΟΠΟΙΗΣΗ: Συνδέστε το μηχάνημα στην παροχή νερού. Τα μηχανήματα δεν είναι κατάλληλα για σύνδεση σε δίκτυο ύδρευσης πόσιμου νερού. Συνδέστε το μηχάνημα σε χώρο αποθήκευσης νερού.

Βεβαιωθείτε ότι η πίεση του νερού εισόδου διατηρείται μεταξύ 0,01MPa και 0,4MPa. ο σωλήνας εισόδου πρέπει να έχει μήκος τουλάχιστον 5m. Μην χρησιμοποιείτε τον σωλήνα εάν ο σωλήνας έχει υποστεί ζημιά. Εάν θέλετε να συνδέσετε αυτό το μηχάνημα σε φορητό δίκτυο ύδρευσης, πρέπει να εγκαταστήσετε ένα σύστημα αποτροπής οπισθορροής και φίλτρο εισόδου στο σωλήνα νερού για να αποτρέψετε τη ροή βρώμικου νερού πίσω στο σύστημα πόσιμου νερού. Το σύστημα αποτροπής οπισθορροής πρέπει να συμμορφώνεται με το πρότυπο EN 60335-2-79 ANNEX AA.

Σκοπούμενη χρήση

Το BW4500 είναι ένα πολυλειτουργικό μηχάνημα με υψηλές προδιαγραφές ασφαλείας, το οποίο μπορεί να χρησιμοποιηθεί για το πλύσιμο και τον καθαρισμό αυτοκινήτων, ποδηλάτων και άλλου εξοπλισμού εξωτερικού χώρου ή αυλών κήπων, θερμοκηπίων κ.λπ.

Τεχνικά χαρακτηριστικά

| | |
|------------------------|----------------|
| Τάση/Συχνότητα: | 230-240V/50HZ |
| Τύπος ηλεκτροκινητήρα: | Επαγωγικός Η/Κ |
| Ισχύς: | 2100W |
| Πίεση λειτουργίας: | 110bar |
| Μέγιστη πίεση: | 165bar |
| Παροχή: | 360L/H |
| Μέγιστη παροχή: | 432L/H |

*Ο κατασκευαστής διατηρεί το δικαίωμα να πραγματοποιήσει δευτερεύουσες αλλαγές στο σχεδιασμό του προϊόντος και στα τεχνικά χαρακτηριστικά χωρίς προηγούμενη ειδοποίηση, εκτός εάν οι αλλαγές αυτές επηρεάζουν σημαντικά την απόδοση και λειτουργία ασφάλειας των προϊόντων. Τα εξαρτήματα που περιγράφονται / απεικονίζονται στις σελίδες του εγχειριδίου που κρατάτε στα χέρια σας ενδέχεται να αφορούν και σε άλλα μοντέλα της σειράς προϊόντων του κατασκευαστή, με παρόμοια χαρακτηριστικά, και ενδέχεται να μην περιλαμβάνονται στο προϊόν που μόλις αποκτήσατε.

* Λάβετε υπόψη ότι ο εξοπλισμός μας δεν έχει σχεδιαστεί για χρήση σε εμπορικές, επαγγελματικές ή βιομηχανικές εφαρμογές. Η εγγύησή μας θα ακυρωθεί αν το προϊόν χρησιμοποιείται σε εμπορικές, επαγγελματικές ή βιομηχανικές επιχειρήσεις ή για ανάλογους σκοπούς.

* Για να διασφαλιστεί η ασφάλεια και η αξιοπιστία του προϊόντος καθώς και η ισχύς της εγγύησης όλες οι εργασίες επιδιόρθωσης, ελέγχου, επισκευής ή αντικατάστασης συμπεριλαμβανομένης της συντήρησης και των ειδικών ρυθμίσεων, πρέπει να εκτελούνται μόνο από τεχνικούς του εξουσιοδοτημένου τμήματος Service του κατασκευαστή.

Περιγραφή βασικών εξαρτημάτων (Εικόνα Α)

| | |
|-------------------------------|--|
| 1. Πλυστικό μηχανήμα | 5. Είσοδος νερού |
| 2. Διακόπτης On/off | 6. Πιστόλι ψεκασμού |
| 3. Τροχός | 7. Ανέμη με λάστιχο νερού (σύνδεση με το πιστόλι ψεκασμού) |
| 4. Έξοδος νερού (πίσω πλευρά) | 8. Χειρολαβή της ανέμης |

Οδηγίες λειτουργίας**Χρήσιμες συμβουλές σχετικά με την λειτουργία του μηχανήματος****Αυτόματη ενεργοποίηση/απενεργοποίηση (ON/OFF):**

Ο κινητήρας του πλυστικού μηχανήματος δεν λειτουργεί συνεχώς. Λειτουργεί μόνο με το πάτημα της σκανδάλης του πιστολιού ψεκασμού. Αφού ακολουθήσετε τις διαδικασίες προετοιμασίας βάσει των οδηγιών του παρόντος εγχειριδίου, γυρίστε τον διακόπτη στην θέση ON και πιέστε τη σκανδάλη. Ανατρέξτε στην ενότητα "Οδηγίες λειτουργίας" του παρόντος εγχειριδίου για περισσότερες λεπτομέρειες.

Εξαέρωση του πιστολιού ψεκασμού:

Είναι πολύ σημαντικό να εξαερώσετε το πιστόλι ψεκασμού πριν χρησιμοποιήσετε το μηχανήμα. Πιέστε τη σκανδάλη ώστε να απομακρύνετε τον αέρα που έχει παγιδευτεί στο εσωτερικό του μηχανήματος και του σωλήνα. Συνεχίστε να πιέζετε τη σκανδάλη μέχρι το σημείο όπου το νερό από το ακροφύσιο θα εκτοξεύεται με σταθερή ροή. (Αυτή η διαδικασία μπορεί να διαρκέσει έως και 2 λεπτά). Ανατρέξτε στην ενότητα "Οδηγίες λειτουργίας" για τη διαδικασία αυτή.

ΠΡΟΕΙΔΟΠΟΙΗΣΗ! Αυτή το μηχανήμα είναι σχεδιασμένο για σύνδεση MONO με παροχή κρύου νερού.

ΠΡΟΕΙΔΟΠΟΙΗΣΗ! Ο ηλεκτροκινητήρας αυτού του μηχανήματος τίθεται σε λειτουργία μόνο μέσω της σκανδάλης του πιστολιού ψεκασμού.

- Συνδέστε τον εύκαμπτο σωλήνα εξόδου (λάστιχο πιστολιού) στο μηχανήμα και συνδέστε το πιστόλι ψεκασμού στον εύκαμπτο σωλήνα εξόδου.
- Συνδέστε το ακροφύσιο και την προέκταση του ακροφυσίου.
- Ελέγξτε το φίλτρο και βεβαιωθείτε πως δεν είναι φραγμένο.
- Συνδέστε τον εύκαμπτο σωλήνα παροχής νερού (κατάλληλων προδιαγραφών λάστιχο κήπου).
- Ελέγξτε ότι ο εύκαμπτος σωλήνας δεν έχει συστραφεί (τσакίσματα).
- Ανοίξτε την βρύση της παροχής νερού και ελέγξτε για διαρροές.
- Πατήστε τη σκανδάλη για να επιτραπεί η εκτόνωση του αέρα μέσω της αντλίας και των εύκαμπτων σωλήνων και ασφαλίστε τη σκανδάλη.
- Συνδέστε το μηχανήμα στην πρίζα και ενεργοποιήστε το μέσω του διακόπτη ON/OFF.
- Απασφαλίστε τη σκανδάλη και χρησιμοποιήστε το πλυστικό σας.

Απενεργοποίηση

1. Απενεργοποιήστε το μηχανήμα (γυρίστε τον διακόπτη στην θέση OFF).
2. Αποσυνδέστε το βύσμα του καλωδίου τροφοδοσίας από την πρίζα.
3. Διακόψτε την παροχή νερού.
4. Πιέστε την σκανδάλη του πιστολιού ψεκασμού έτσι ώστε να εκτονωθεί η πίεση εντός του μηχανήματος και του εξοπλισμού.
5. Αποσυνδέστε το λάστιχο παροχής νερού από το μηχανήμα.
6. Καθαρίστε όλες τις επιφάνειες του μηχανήματος με ένα ελαφρώς νοτισμένο πανί.
7. Ασφαλίστε την σκανδάλη του πιστολιού ψεκασμού.

ΠΡΟΣΟΧΗ: Το μηχανήμα πρέπει πάντα να απενεργοποιείται και να αποσυνδέεται από το ηλεκτρικό δίκτυο πριν διακόψετε την παροχή νερού.

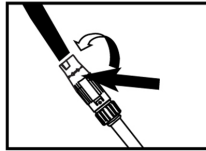
Σε αντίθετη περίπτωση μπορεί να προκληθεί σοβαρή βλάβη στο μηχανήμα λόγω απουσίας νερού.

ΠΡΟΣΟΧΗ: ΠΟΤΕ μην αποσυνδέετε το λάστιχο υψηλής πίεσης (λάστιχο πιστολιού ψεκασμού) προτού εκτονωθεί η πίεση που βρίσκεται εντός του μηχανήματος και του εξοπλισμού. Για να εκτονώσετε την πίεση, απενεργοποιήστε το μηχανήμα, διακόψτε την παροχή νερού και πιέστε διαδοχικά 2-3 φορές την σκανδάλη.

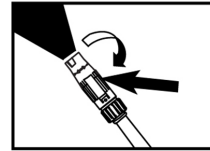
Ρυθμιζόμενο ακροφύσιο ψεκασμού

Για να ρυθμίσετε το ακροφύσιο ψεκασμού: αφήστε την σκανδάλη του πιστολιού, κρατήστε το πίσω μέρος του ακροφυσίου και γυρίστε το εμπρόσθιο μέρος του δεξιόστροφα. Με αυτή την ρύθμιση, το ακροφύσιο μπορεί να εκτοξεύσει νερό σε μοτίβο βεντάλιας (Εικ.2). Αντίστοιχα μπορείτε να γυρίσετε το εμπρόσθιο μέρος του ακροφυσίου για να ρυθμίσετε το ακροφύσιο για ψεκασμό σε μοτίβο δέσμης (Εικ.1).

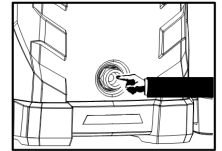
ΠΡΟΣΟΧΗ: Κατά την διάρκεια πλυσίματος οχημάτων θα πρέπει να ρυθμίσετε το ακροφύσιο για ψεκασμό με μοτίβο βεντάλιας έτσι ώστε να αποτρέψετε την βλάβη των επιφανειών (Εικ. 2).



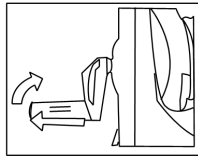
Εικ. 1



Εικ. 2



Εικ. 3



Εικ. 4

Φίλτρο εισόδου

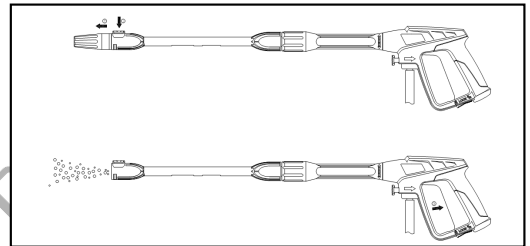
Το φίλτρο εισόδου νερού πρέπει να επιθεωρείται τακτικά, ώστε να αποφεύγεται η απόφραξη και ο περιορισμός της παροχής νερού στην αντλία (Εικ. 3).

Χειρολαβή ανέμης

Η χειρολαβή της ανέμης μπορεί να στραφεί προς τα κάτω για την διευκόλυνση της λειτουργίας του μηχανήματος και προς τα πάνω αντίστοιχα κατά την αποθήκευση του. Για να στρέψετε την χειρολαβή προς τα πάνω, τραβήξτε την προς τα έξω και γυρίστε την προς τα πάνω (Εικ. 4).

Μέθοδος καθαρισμού με αφρό

Βεβαιωθείτε ότι έχετε τοποθετήσει το διάλυμα καθαρισμού στο ενσωματωμένο δοχείο απορρυπαντικού και αφαιρέστε το εμπρόσθιο τμήμα του ακροφυσίου όπως φαίνεται στο σχήμα.



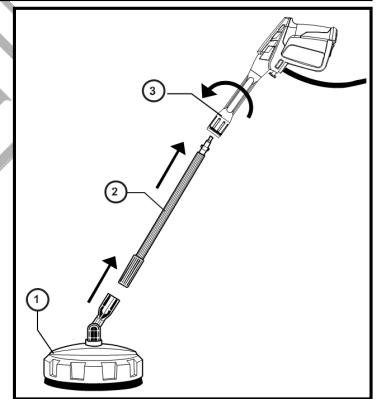
Οδηγίες λειτουργίας για μηχανήματα που περιλαμβάνουν εξάρτημα καθαρισμού δαπέδων*

Συνδέστε το εξάρτημα καθαρισμού δαπέδων ① με την προέκταση του αυλού του πιστολιού ψεκασμού ② και έπειτα συνδέστε την προέκταση ② με την χειρολαβή του πιστολιού ψεκασμού ③.

Σημείωση: Όλα αυτά τα εξαρτήματα είναι τύπου μαγιονέτ, τα οποία πρέπει να πιεστούν και να περιστραφούν για να ασφαλισουν μεταξύ τους.

Σημείωση: Πριν από τη χρήση του εξαρτήματος καθαρισμού δαπέδων ελέγχετε πάντα για να βεβαιωθείτε ότι δεν θα προκαλέσετε φθορά στην επιφάνεια δοκιμάζοντας την λειτουργία του εξαρτήματος σε μια "κρυφή" επιφάνεια.

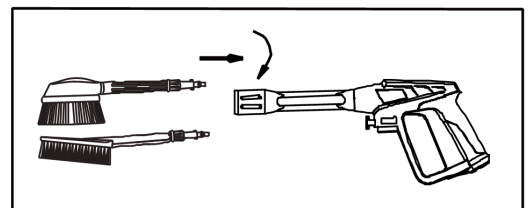
* Δεν περιλαμβάνεται με όλα τα μοντέλα



Οδηγίες λειτουργίας για μηχανήματα που περιλαμβάνουν βούρτσες καθαρισμού*

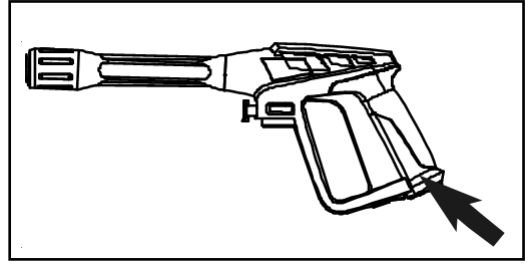
Το παρόν πλυστικό μηχανήμα παρέχεται με μια περιστρεφόμενη βούρτσα και μια σταθερή βούρτσα. Και οι δύο έχουν μαλακές τρίχες και μπορούν να χρησιμοποιηθούν σε συνδυασμό με τον διανομέα απορρυπαντικού για την εφαρμογή απορρυπαντικού στην επιφάνεια που καθαρίζετε. Αυτές είναι ιδανικές για τον καθαρισμό του αμαξώματος των αυτοκινήτων, των παραθύρων κ.λπ. Λειτουργούν με ρύθμιση χαμηλής πίεσης. Οι βούρτσες συνδέονται με την προέκταση του αυλού (κάννη). Υπάρχει ένας αντίπτορας κατάλληλος για κάθε βούρτσα- πρέπει να τον τοποθετήσετε πριν από τη σύνδεση με την προέκταση της κάννης. Σημείωση: Μην τοποθετείτε τις βούρτσες όταν το μηχανήμα είναι ενεργοποιημένο. Σημείωση: Οι βούρτσες δεν μπορούν να τοποθετηθούν απευθείας στο πιστόλι ψεκασμού και πρέπει να χρησιμοποιούνται σε συνδυασμό με την προέκταση της κάννης.

* Δεν περιλαμβάνεται με όλα τα μοντέλα



Μηχανισμός ασφαλείας πιστολιού ψεκασμού

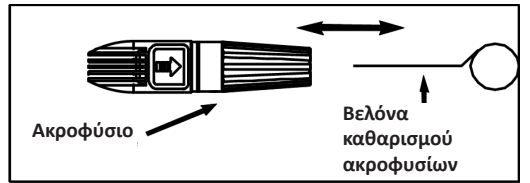
Κατά την διάρκεια χρήσης του πλυστικού μηχανήματος, συστήνεται να διατηρείτε σωστή στάση του σώματος, κρατώντας με το ένα χέρι σας την χειρολαβή και το άλλο τον αυλό (κάνη). Μετά το τέλος της εργασίας είναι απαραίτητο να χρησιμοποιείτε την ασφάλεια που είναι ενσωματωμένη στο πιστόλι για λόγους ασφαλείας.



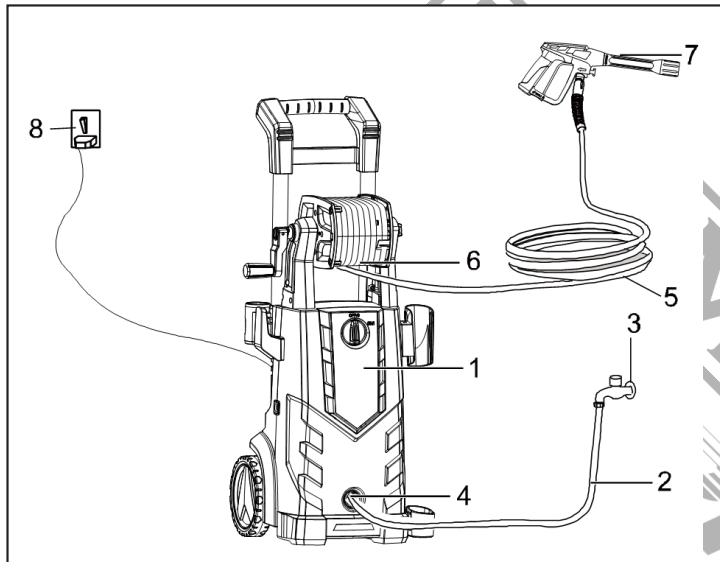
Βελόνα καθαρισμού ακροφυσίων

- Χρησιμοποιήστε την βελόνα καθαρισμού ακροφυσίων που περιλαμβάνεται στην συσκευασία ή έναν ξεδιπλωμένο συνδετήρα για να καθαρίσετε το ακροφύσιο από τα υπολείμματα που το φράσσουν. Εισαγάγετε το σύρμα στην οπή του ακροφυσίου και μετακινήστε το μπρος-πίσω μέχρι να απομακρυνθούν τα υπολείμματα.

- Απομακρύνετε τα πρόσθετα υπολείμματα κατευθύνοντας το νερό μέσω του ακροφυσίου. Για να το κάνετε αυτό, συνδέστε το άκρο ενός λάστιχου κήπου (με τρεχούμενο νερό) στο άκρο του ακροφυσίου για 30-60 δευτερόλεπτα.



Εγκατάσταση, ηλεκτρικές συνδέσεις και συνδέσεις παροχής νερού



| | |
|---|-------------------------------|
| 1. Πλυστικό μηχανήμα | 5. Σωλήνας υψηλής πίεσης |
| 2. Λάστιχο παροχής νερού (δεν περιλαμβάνεται) | 6. Έξοδος νερού υψηλής πίεσης |
| 3. Βρύση νερού (παροχή) | 7. Πιστόλι ψεκασμού |
| 4. Είσοδος νερού | 8. Πρίζα ηλεκτρικού δικτύου |

Σημείωση: Δεδομένης της συνεχούς εξέλιξης των μηχανημάτων, η εταιρεία διατηρεί το δικαίωμα να τροποποιεί τις προδιαγραφές των μηχανημάτων χωρίς προειδοποίηση.

Αντιμετώπιση πιθανών προβλημάτων

| Περιγραφή προβλήματος | Πιθανή αιτία | Τρόπος αντιμετώπισης |
|---|--|---|
| Το μηχανήμα δεν ενεργοποιείται ενώ ο διακόπτης είναι γυρισμένος στην θέση ON. | Το βύσμα τροφοδοσίας δεν είναι σωστά συνδεδεμένο ή η πρίζα είναι ελαττωματική. Η τάση του ηλεκτρικού δικτύου είναι μη κατάλληλη, χαμηλότερη από την απαιτούμενη για την λειτουργία του μηχανήματος. Η αντλία έχει υποστεί βλάβη (έχει κολλήσει). Ο θερμικός διακόπτης ασφαλείας έχει ενεργοποιηθεί. | Ελέγξτε το βύσμα τροφοδοσίας και την πρίζα. Ελέγξτε ότι η τάση του δικτύου είναι κατάλληλη για την λειτουργία του μηχανήματος. Ανατρέξτε στις οδηγίες μετά την αποθήκευση. Απενεργοποιήστε το μηχανήμα και αφήστε τον κινητήρα να κρυώσει για λίγα λεπτά. Αφήστε τον αυλό του πιστολιού ψεκασμού ανοιχτό. |
| Μεταβαλλόμενη πίεση | Η αντλία αναρροφά αέρα. Οι βαλβίδες είναι μπλοκαρισμένες ή φθαρμένες. Τα εξαρτήματα στεγανοποίησης (φλάντζες, τσιμούχες κτλ.) χρήζουν αντικατάστασης λόγω φθοράς. | Ελέγξτε ότι οι εύκαμπτοι σωλήνες και οι συνδέσεις είναι αεροστεγείς. Ελέγξτε και αντικαταστήστε ή απευθυνθείτε στον αντιπρόσωπο. |

| | | |
|---|--|--|
| Διαρροή νερού από την αντλία. | Τα εξαρτήματα στεγανοποίησης (φλάντζες,τσιμούχες κτλ.) χρήζουν αντικατάστασης λόγω φθοράς. | Ελέγξτε και αντικαταστήστε ή απευθυνθείτε στον αντιπρόσωπο. |
| Η λειτουργία του ηλεκτροκινητήρα διακόπτεται ξαφνικά. | Ο θερμικός διακόπτης ασφαλείας έχει ενεργοποιηθεί λόγω υπερθέρμανσης. | Ελέγξτε ότι η τάση του δικτύου είναι κατάλληλη για την λειτουργία του μηχανήματος. Απενεργοποιήστε το μηχανήμα και αφήστε τον κινητήρα να κρυώσει για λίγα λεπτά. |
| Η αντλία δεν αποδίδει την προβλεπόμενη μέγιστη πίεση. | Το φίλτρο εισόδου νερού είναι φραγμένο. Η αντλία αναρροφά αέρα από τα σημεία σύνδεσης ή τους εύκαμπτους σωλήνες. Οι βαλβίδες αναρρόφησης/ παροχής είναι φραγμένες ή φθαρμένες. Η βαλβίδα αποφόρτισης/εκτόνωσης έχει κολλήσει. Το ακροφύσιο της λόγχης είναι λανθασμένο ή φθαρμένο. | Καθαρίστε το φίλτρο εισόδου νερού. Ελέγξτε ότι όλοι οι σύνδεσμοι της παροχής είναι σωστά τοποθετημένοι. Ελέγξτε ότι ο σωλήνας τροφοδοσίας νερού δεν έχει διαρροή. Καθαρίστε ή αντικαταστήστε τις βαλβίδες. Χαλαρώστε και ξανασφίξτε τη βίδα ρύθμισης. Ελέγξτε ή/και αντικαταστήστε. |

Έλεγχος και συντήρηση

Για λόγους ασφαλείας, φροντίστε να καθαρίζετε το μηχανήμα ανά τρίμηνο. Πριν από την εργασία, βεβαιωθείτε ότι επιθεωρείτε το φίλτρο και το ακροφύσιο, βεβαιωθείτε ότι δεν υπάρχουν υπολείμματα. Μετά την εργασία, βεβαιωθείτε ότι δεν υπάρχει νερό στην αντλία και τον εύκαμπτο σωλήνα. Εάν το μηχανήμα πρέπει να επισκευαστεί κατά την περίοδο εγγύησης, παρακαλούμε επιστρέψτε το μηχανήμα στο κατάστημα. Πρέπει να προσκομίσετε την απόδειξη αγοράς προκειμένου να επισκευαστεί. Πριν από την αποθήκευση, το μηχανήμα θα πρέπει να καθαριστεί. Στη συνέχεια αποθηκεύστε το μηχανήμα σε κλειστή συσκευασία, η συσκευασία θα πρέπει να είναι σταθερή. Αποθηκεύστε το μηχανήμα σε ξηρό μέρος. Για λόγους ασφαλείας κατά την μεταφορά, το μηχανήμα θα πρέπει να συμμορφώνεται με την ISTA.

Οδηγίες απόρριψης/ανακύκλωση



Επεξήγηση συμβόλου διαγραμμένου κάδου απορριμάτων

Μην απορρίπτετε τα ηλεκτρικά μηχανήματα μαζί με τα αστικά απόβλητα, χρησιμοποιήστε ξεχωριστές εγκαταστάσεις συλλογής.

Επικοινωνήστε με την τοπική αυτοδιοίκηση για πληροφορίες σχετικά με τα διαθέσιμα συστήματα συλλογής.

Εάν τα ηλεκτρικά μηχανήματα απορρίπτονται σε χωματερές ή άλλους χώρους υγειονομικής ταφής, επικίνδυνες ουσίες μπορεί να διαρρεύσουν στα υπόγεια ύδατα και να εισέλθουν στην τροφική αλυσίδα, βλάπτοντας την υγεία και το περιβάλλον.

Κατά την αντικατάσταση παλαιών μηχανημάτων με νέα, ο έμπορος λιανικής πώλησης είναι νομικά υποχρεωμένος να παραλάβει το παλιό σας μηχανήμα για ανακύκλωση δωρεάν.

